

**GREG ROBINSON, P.E.**  
CONSULTING ENGINEER

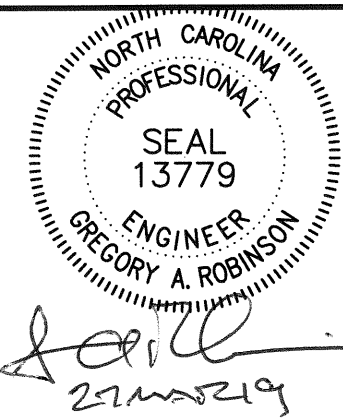
6512 Six Forks Road, Suite 403A  
Raleigh, North Carolina 27615

919.846.4752  
info@gar-pe.com



THE **Shed Depot**  
OF NORTH CAROLINA

1732 Westover Drive  
Sanford, North Carolina 27330  
919.776.0206  
info@sheddepotnc.com



GENERAL NOTES AND OUTLINE SPECIFICATIONS

01000 GENERAL

1. Design Live Loads
  - Floor 40 psf
  - Roof 20 psf
2. Ground Snow Loads (2018 NC Building Code, 2015 IBC, ASCE 7-10)  
Ground Snow Load: 15 psf
3. Wind loads (2018 NC Building Code, 2015 IBC, ASCE 7-10)  
Basic Wind Velocity (ultimate): 150 mph; Exposure: C; Category III
4. Lateral design controlled by Wind Loads.

02000 FOUNDATION

1. Design soil bearing capacity: 2,000 psf (presumed).

06090 PRE-ENGINEERED WOOD CONNECTORS

1. Connectors shall be hot-dipped galvanized or electro-plated galvanized with a minimum coating of G90.
2. Nails shall be "common" unless otherwise noted in the drawings.

06110 WOOD FRAMING

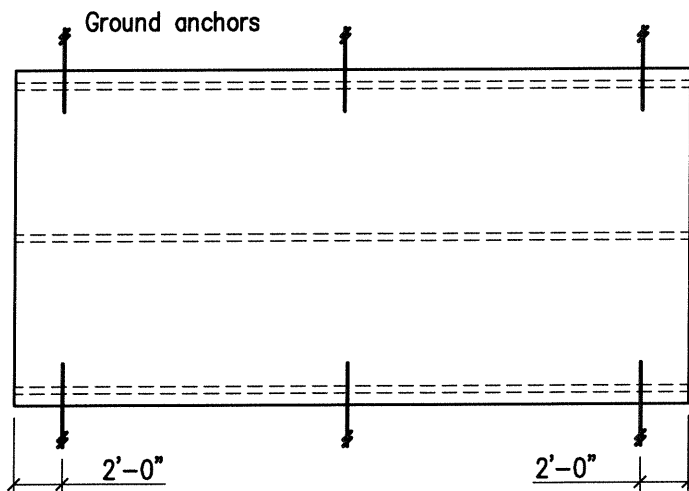
1. Unless noted otherwise: kiln-dried, S-P-F, #2 grade, surfaced dry, 15 percent maximum moisture content.  
Floor joists: preservative-treated, kiln-dried, Southern Pine, #2 grade, surfaced dry, 15 percent maximum moisture content.  
Mud sills: preservative treated, kiln-dried, Southern Pine, #2 grade, surfaced dry, 19 percent maximum moisture content.
2. Nail sizes:
 

Pennyweight	Length (inches)	Diameter (inches)
8d	2.5	0.131
10d	3	0.148
12d	3.25	0.148

06120 STRUCTURAL WOOD PANELS

1. Sheathing shall conform to the grading rules of U.S. Product Standard PS 1, latest edition, and shall have appropriate grade trade mark of an American Plywood Association approved agency on each plywood panel. Sheathing shall be APA rated sheathing in thicknesses and span ratings shown drawings. Sheathing shall be applied in full sheets or in largest pieces practical for the area being covered.
2. Particleboard sheathing: ANSI A208.1 APA Oriented Strand Board; wood flakes set with waterproof resin binder; unsanded faces.
3. Secure roof sheathing perpendicular to framing members with ends staggered and sheet ends over firm bearing.
4. Secure wall sheathing with long dimension parallel to wall studs, with ends over firm bearing and staggered.
5. Install sheathing two span continuous minimum.

14'-0" x 14'-0" to 14'-0" x 28'-0"  
A-Frame Shed



Ground Anchors

(Ground\_Anchors) Scale: 1/8"=1'-0"

Ground Anchor Schedule (ANCHOR SCHED)		
Building Length	Number of Ground Anchors Each Long Side	
28 ft - 36 ft	3	
12 ft - 26 ft	2	

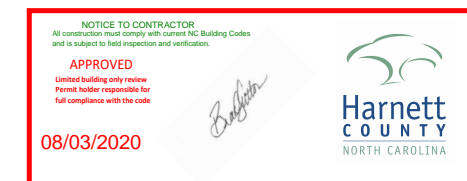


Notes:

1. Minimum uplift capacity of each anchor: 2,300 pounds
2. Install ground anchors and strapping in accordance with manufacturer's instructions

DRAWING INDEX:

- C1 Cover Sheet and General Notes
- 2 Floor and Wall Framing Plans
- 3 Roof Framing Plans and Exterior Elevations
- 4 Wall Framing Elevations and Wall Section
- D1 Details
- D2 Details

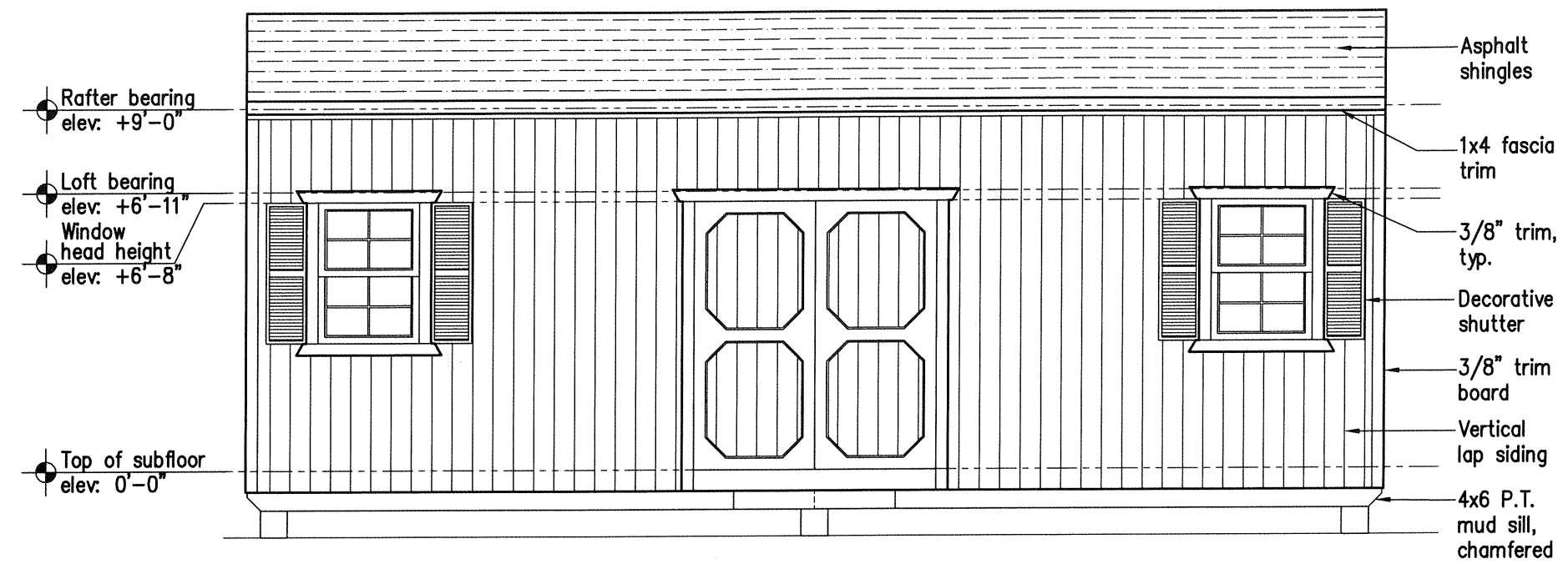


GARPE Project #19009  
Date: 27MAR19

SHT\_C1

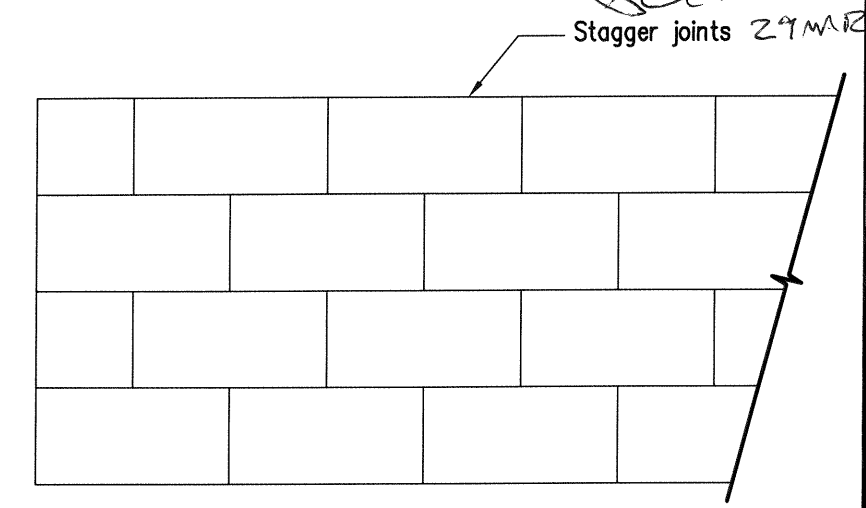
C1  
1 of 6





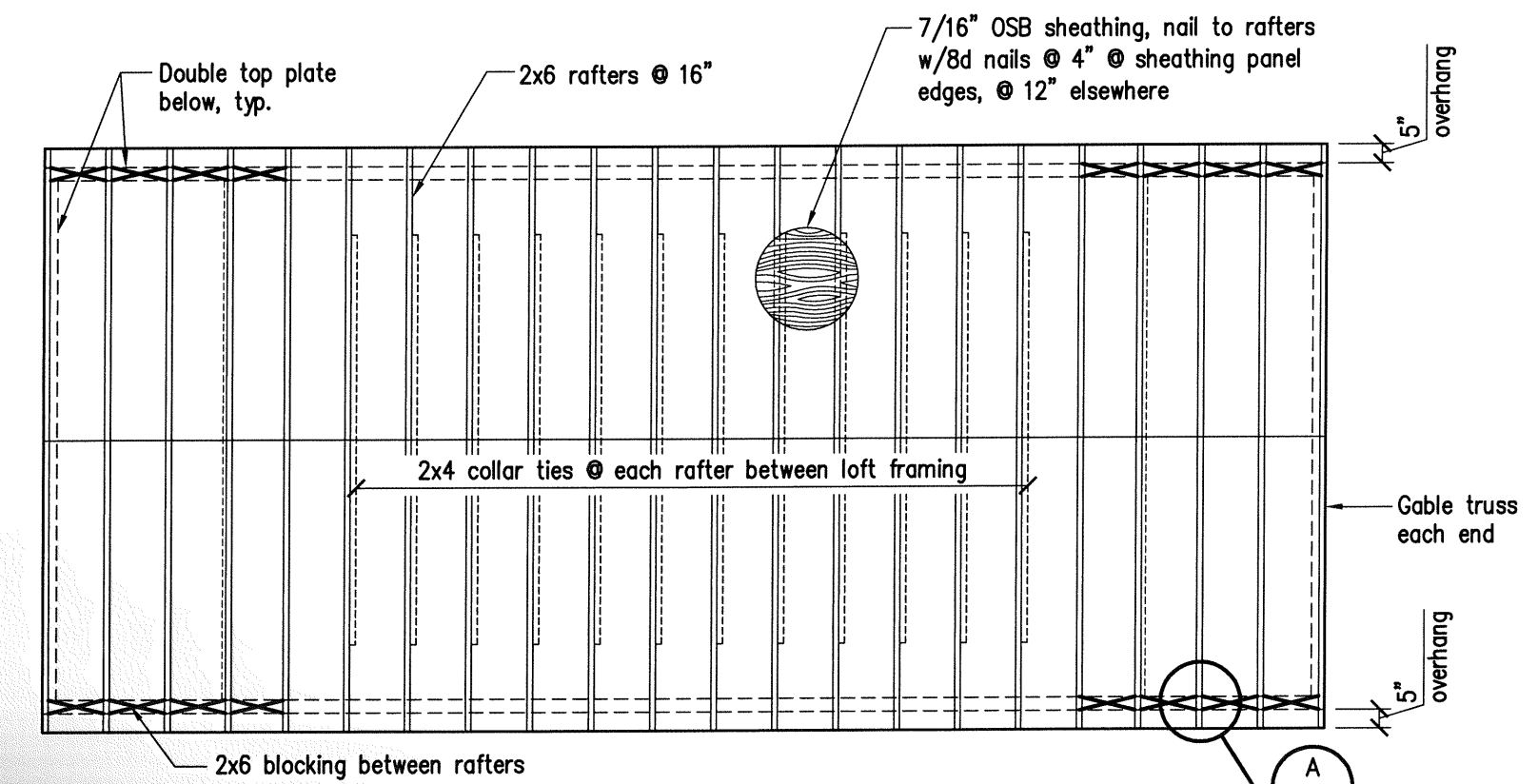
**C** Exterior Elevation  
2 | 3

(Ext\_Elev\_1) Scale: 1/4"=1'-0"



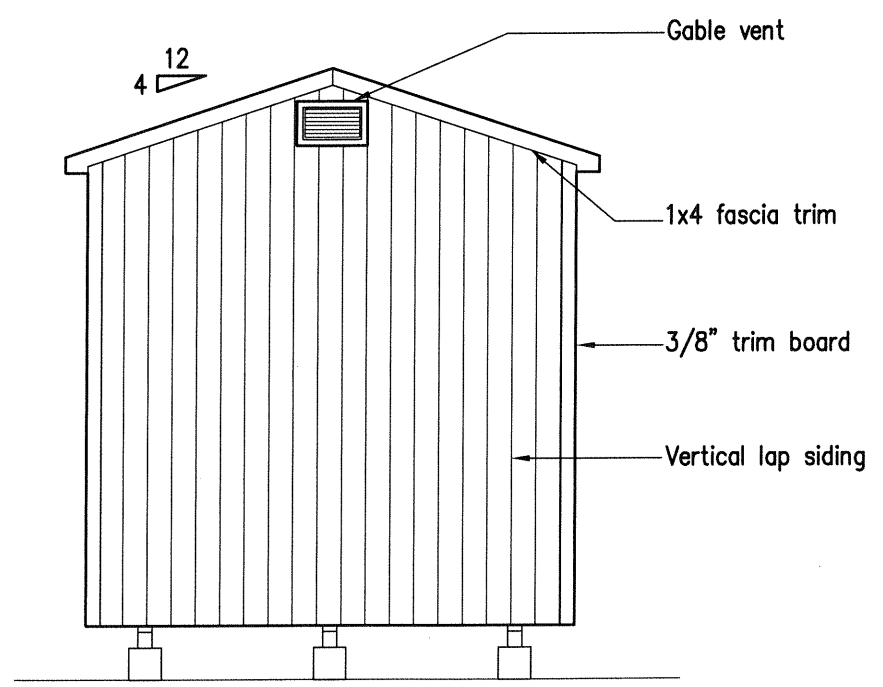
**D** Sheathing Joint Pattern  
- | 3

(Sheathing\_Joint\_Pattern) Scale: N.T.S.



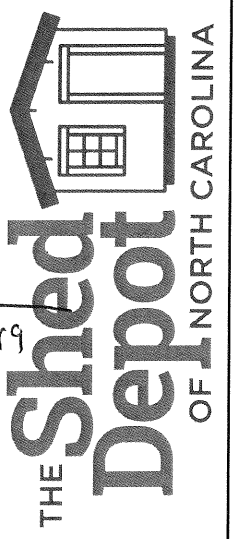
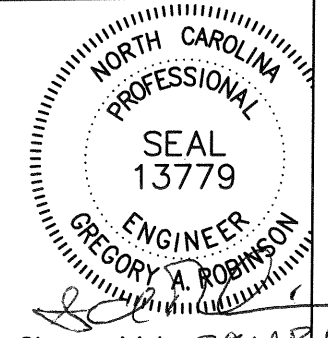
**A** Roof Framing Plan  
- | 3

(Roof\_Framing\_Plan) Scale: 1/4"=1'-0"

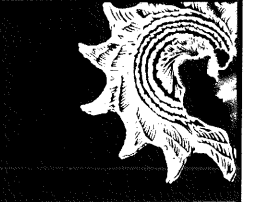


**B** Exterior Elevation  
2 | 3

(Ext\_Elev\_2) Scale: 1/4"=1'-0"

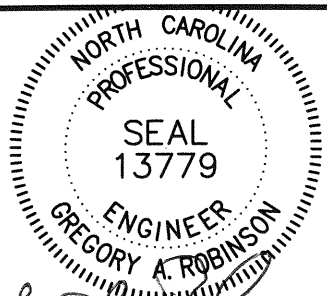


**GREG ROBINSON, P.E.**  
CONSULTING ENGINEER  
6512 Six Forks Road, Suite 403A  
Raleigh, North Carolina 27615  
(919) 846-4752 (919) 847-0455 fax  
greg@gar-pe.com

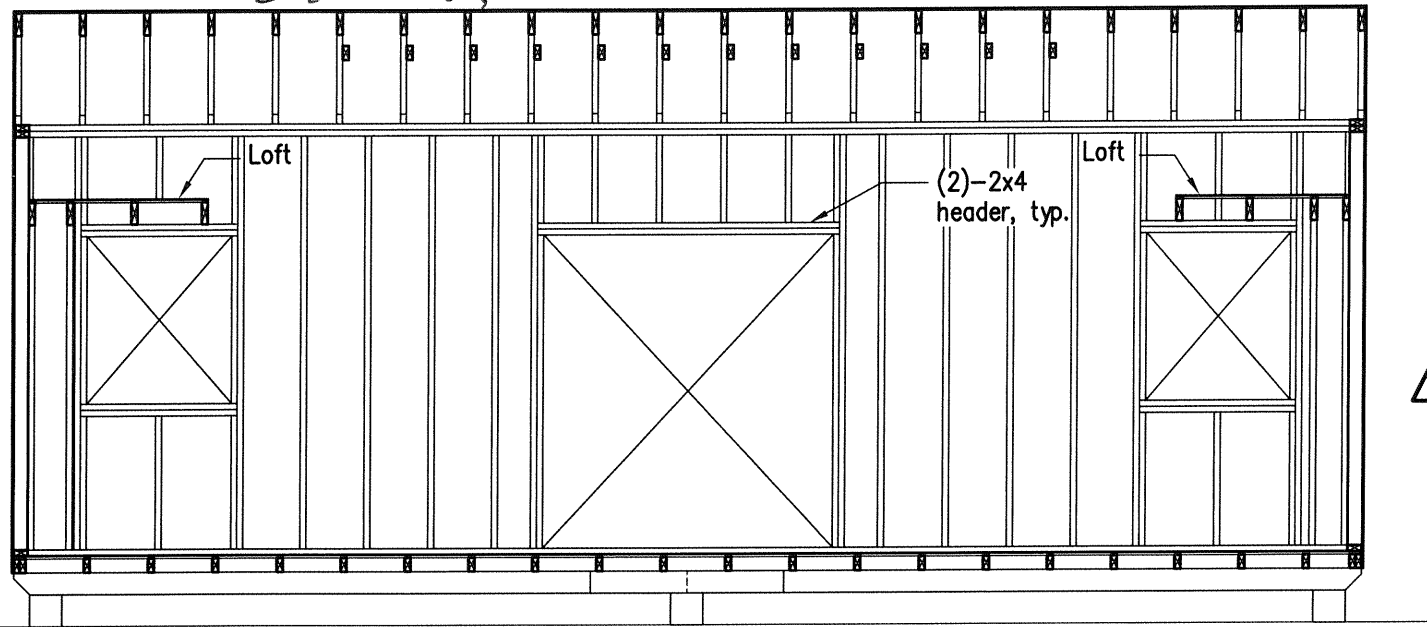


14' x 14' to 28' x 9' Shed (HW)	
Drawn	GAR
Checked	GAR
Date	27MAR19
Rev	
Rev	
<b>3</b>	
3 of 6	

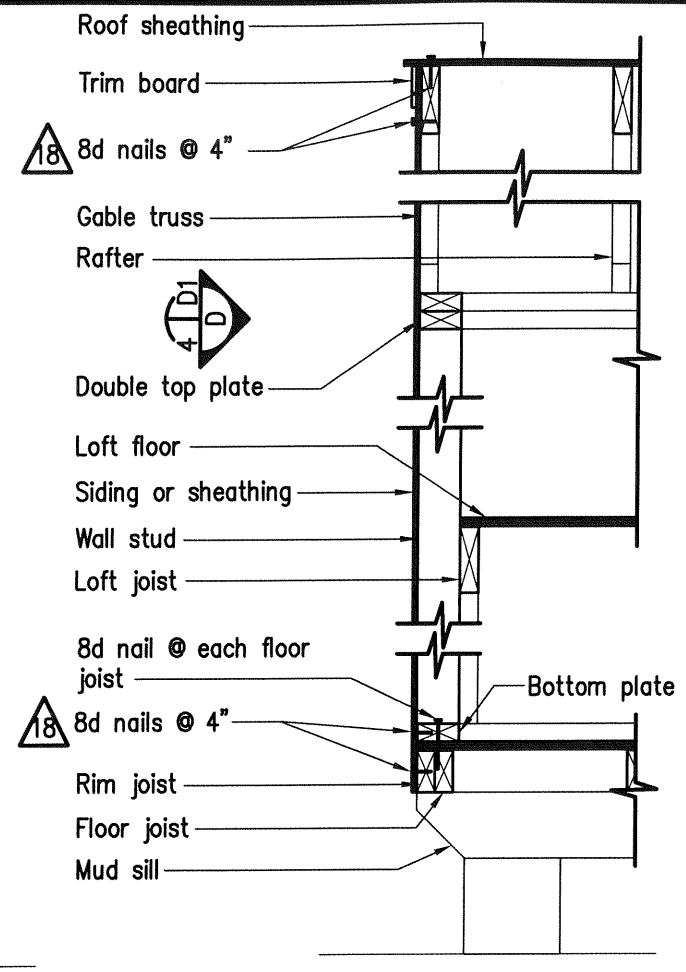
GARPE Job # 19009



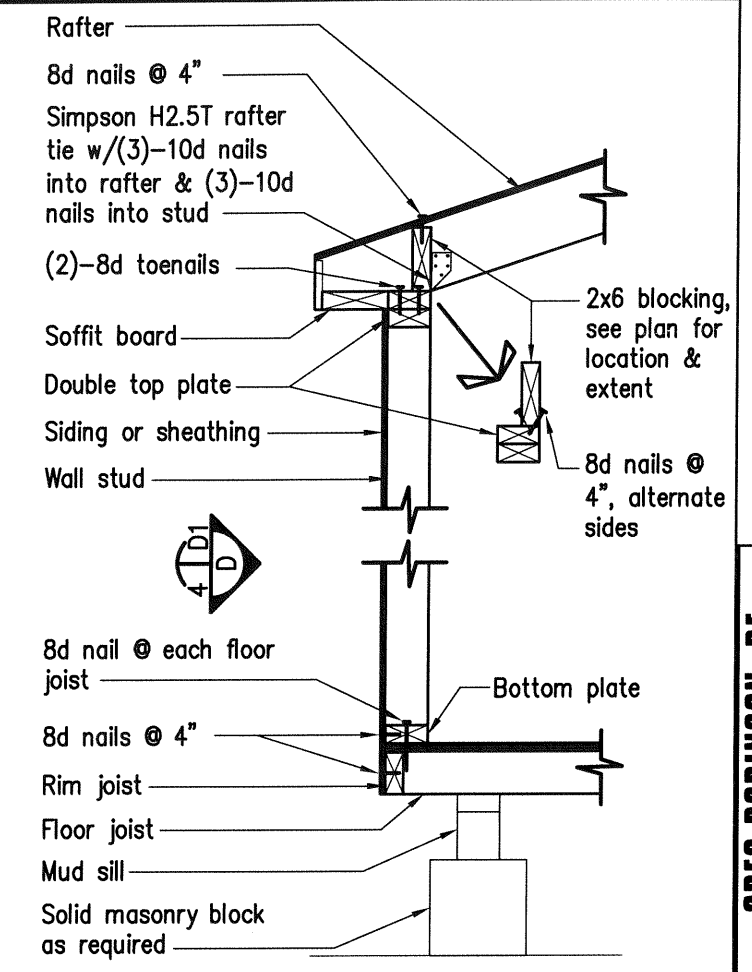
*Greg Robinson*



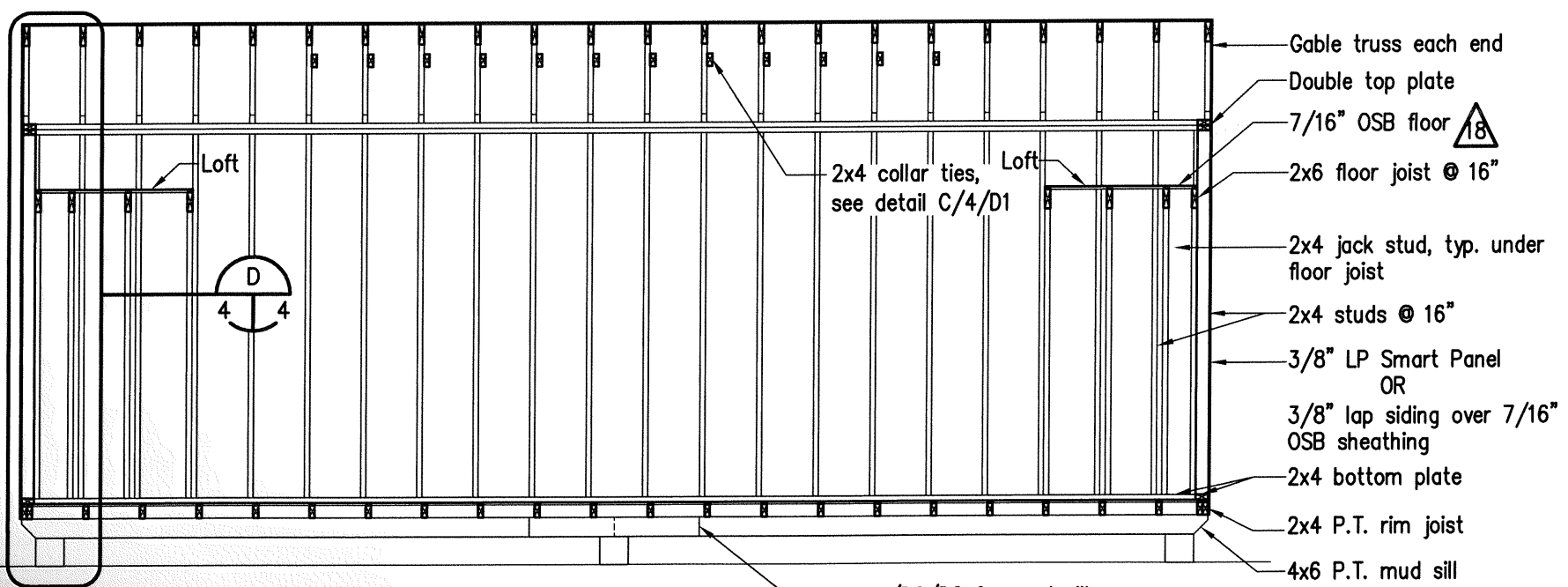
**C** Wall Framing Elevation  
Scale: 1/4"=1'-0"



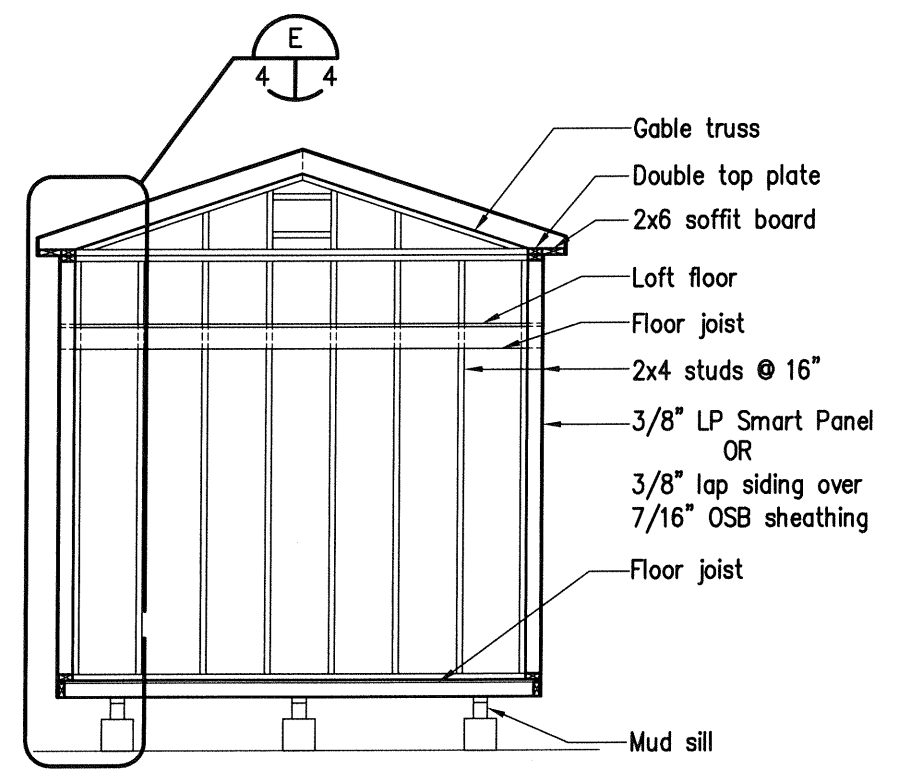
**D** Wall Section  
Scale: 3/4"=1'-0"



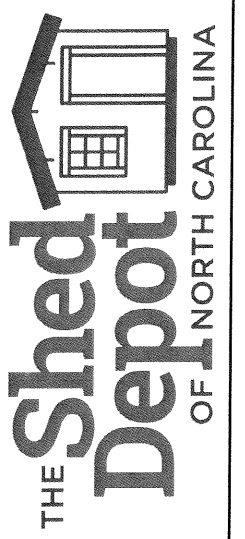
**E** Wall Section  
Scale: 3/4"=1'-0"



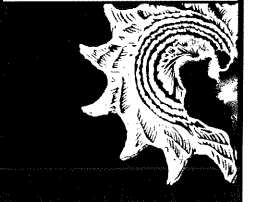
**A** Wall Framing Elevation  
Scale: 1/4"=1'-0"



**B** Wall Framing Elevation  
Scale: 1/4"=1'-0"

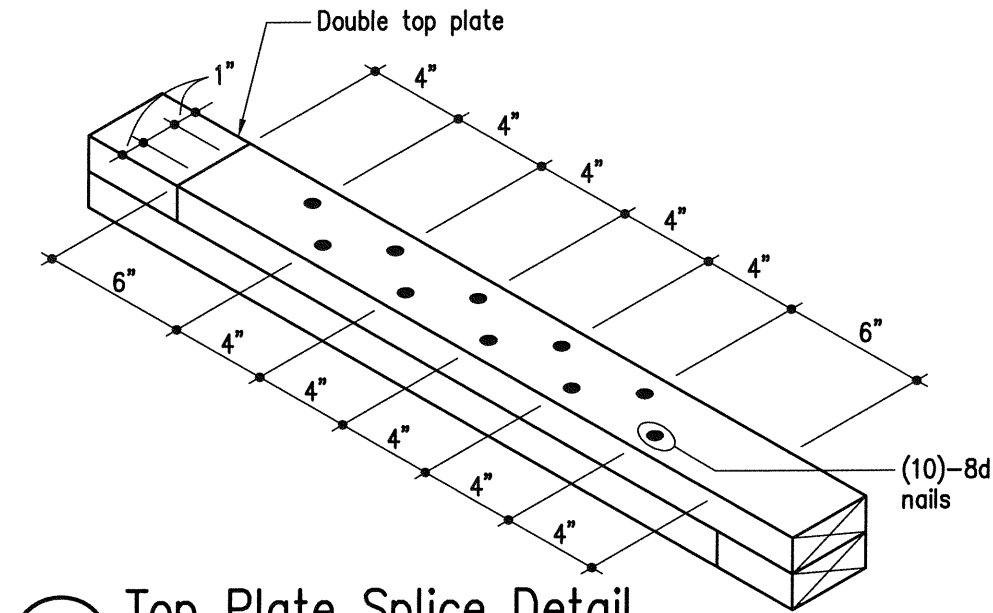


**GREG ROBINSON, P.E.**  
CONSULTING ENGINEER  
6512 Six Forks Road, Suite 403A  
Raleigh, North Carolina 27615  
(919) 846-4752 (919) 847-0455 fax  
greg@gar-pe.com

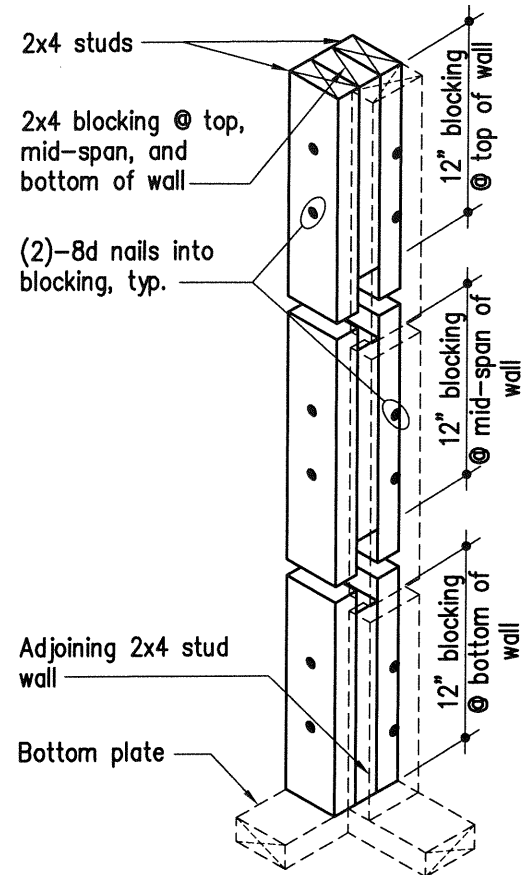


14' x 14' to 28' x 9' Shed (HW)  
GARPE Job # 19009

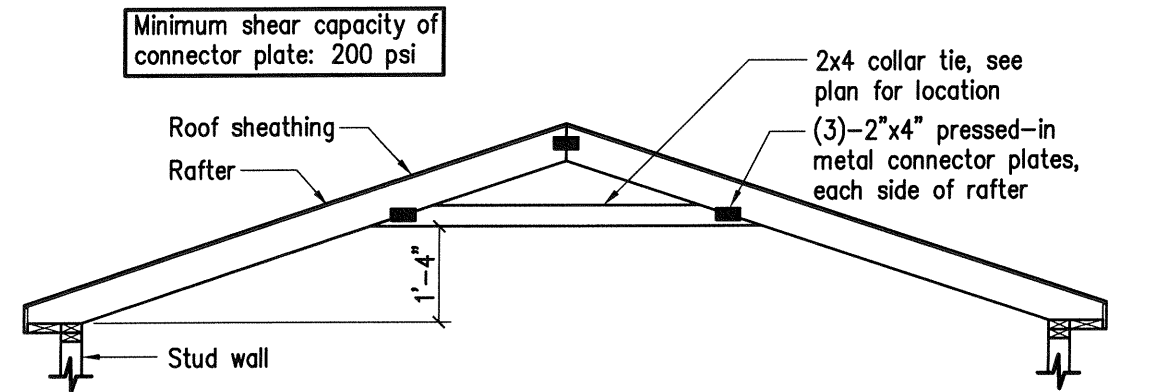
Drawn	GAR
Checked	GAR
Date	27MAR19
Rev	
Rev	



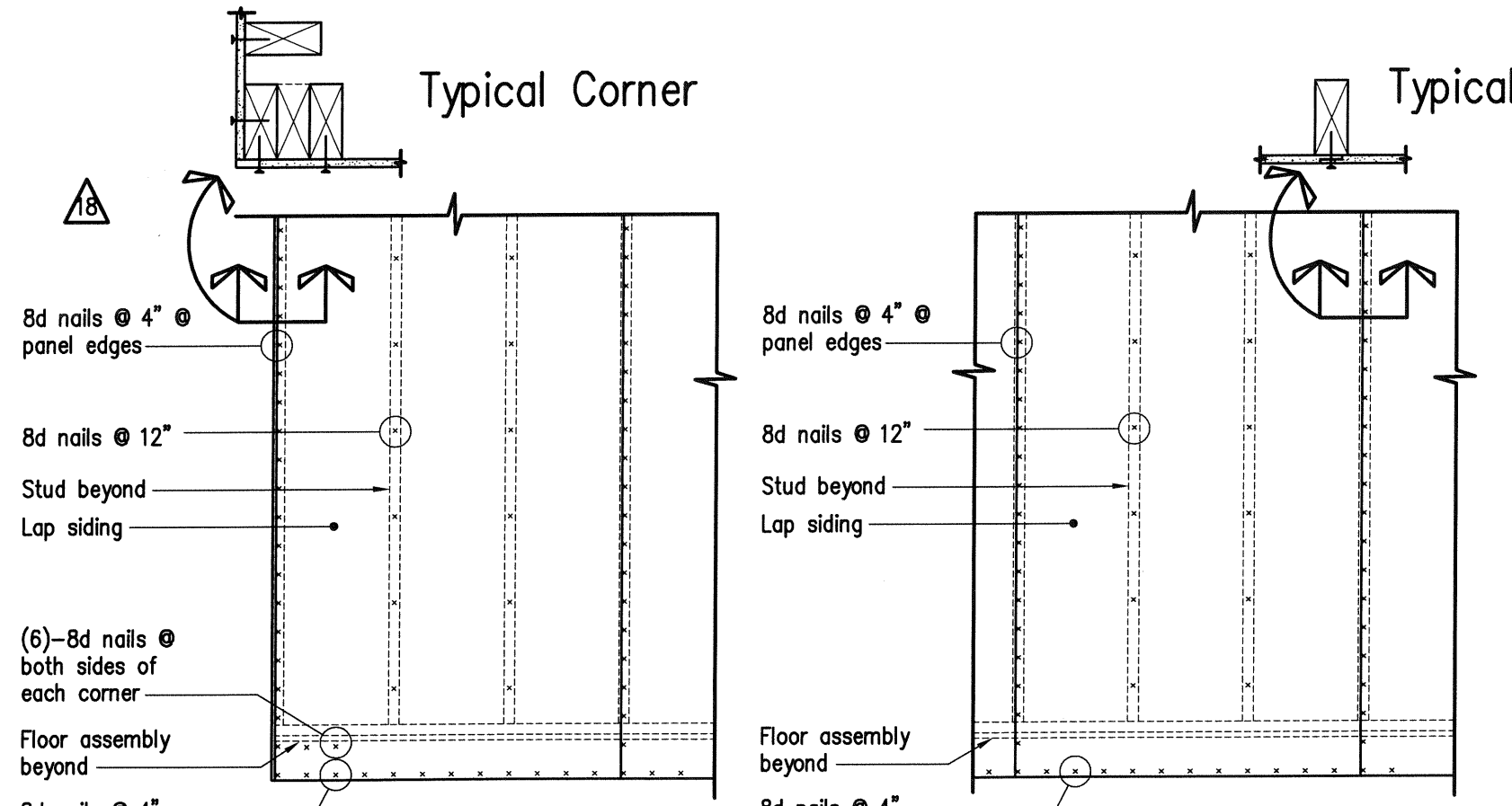
**A** Top Plate Splice Detail  
 (Top\_Plate\_Splice\_HW) Scale: 1 1/2"=1'-0"



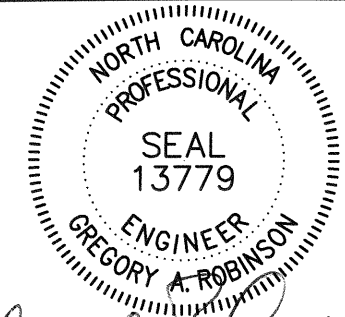
**B** Corner Framing Detail  
 (Corner\_Detail) Scale: 1"=1'-0"



**C** Collar Tie Attachment Detail  
 (Collar\_Tie) Scale: 3/8"=1'-0"



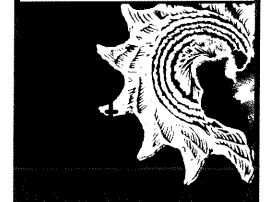
**D** Panel Nailing Patterns  
 (Nail\_Pattern) Scale: 1/2"=1'-0"



*Gregory A. Robinson*  
 27MAR19

THE Shed Depot OF NORTH CAROLINA

**GREG ROBINSON, P.E.**  
 CONSULTING ENGINEER  
 6512 Six Forks Road, Suite 403A  
 Raleigh, North Carolina 27615  
 (919) 846-4752 (919) 847-0455 fax  
 greg@gar-pe.com



14' x 14' to 28' x 9' Shed (HW)  
 GARPE Job # 19009

Drawn GAR  
 Checked GAR  
 Date 27MAR19  
 Rev  
 Rev

**D1**  
 5 of 6

