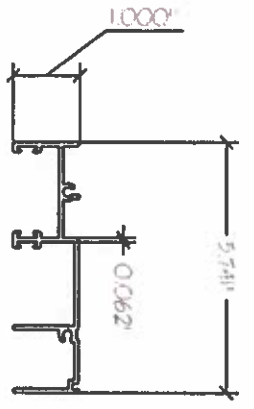
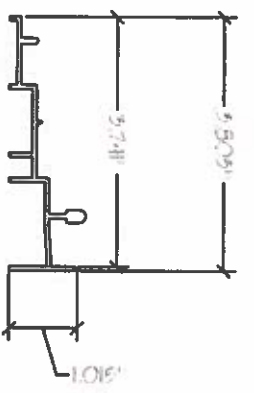


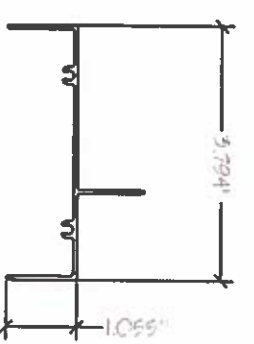
1 WINDOW / DOOR FRAME HEAD



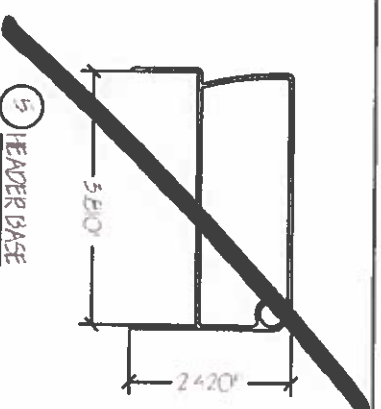
2 WINDOW / DOOR FRAME JAMB



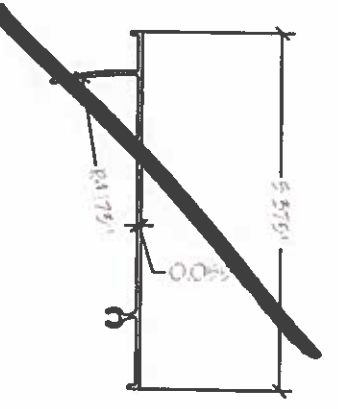
3 WINDOW / DOOR FRAME SILL



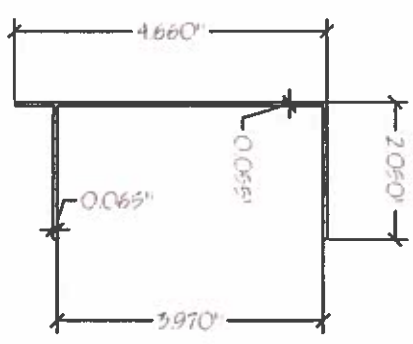
4 TRANSOM FRAME



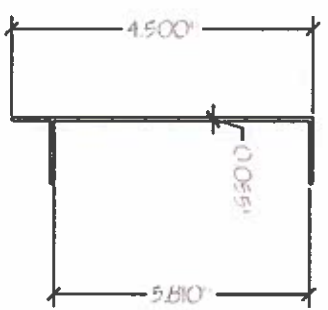
5 HEADER BASE



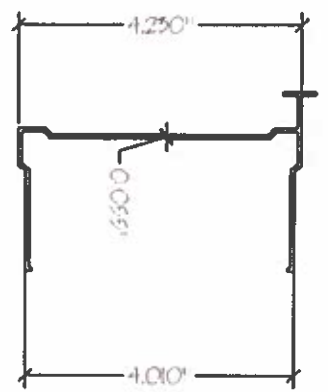
6 HEADER ARM



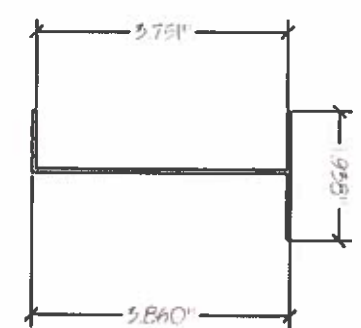
7 4" EXPANDER



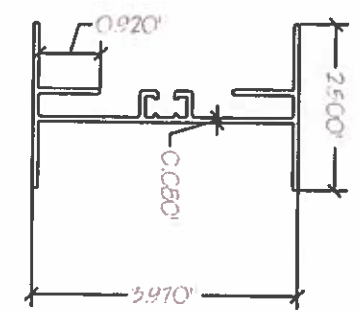
8 4" F-CHANNEL



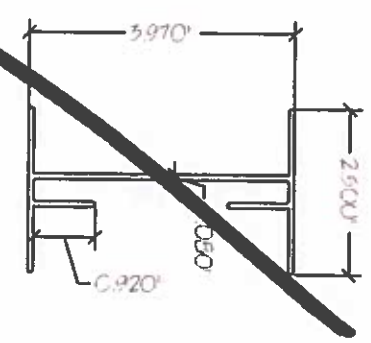
9 4" HANGER BASE



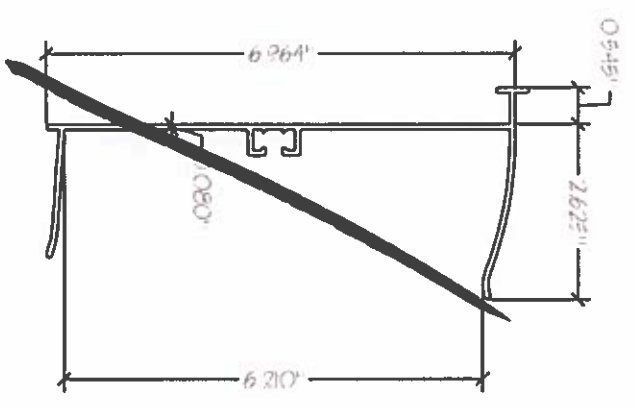
10 4" SILL EXTRUSION



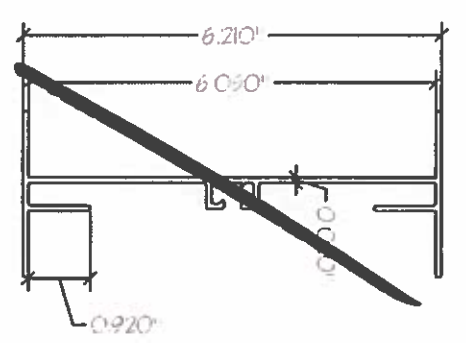
11 4" I-SECTION TRIM



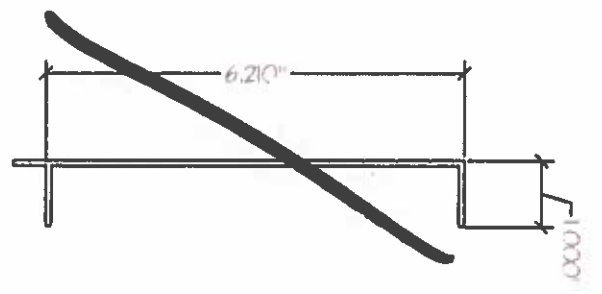
12 4" NON-TERM I-SECTION



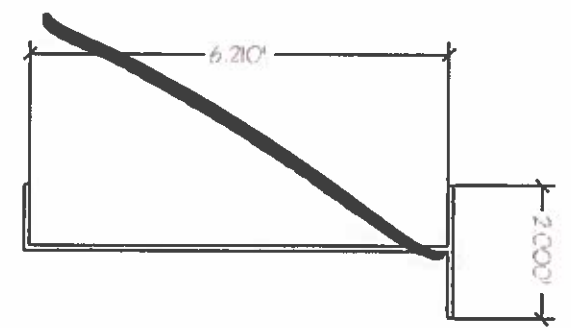
13 6" HANGER BASE



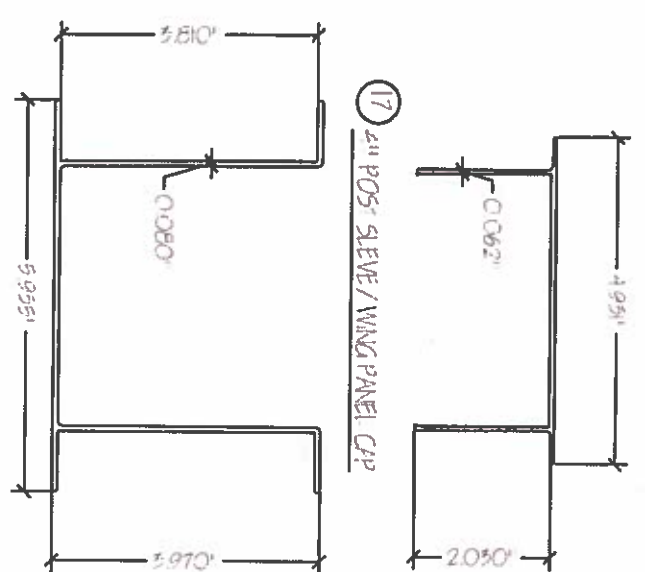
14 6" I-BEAM



15 6" F-CHANNEL

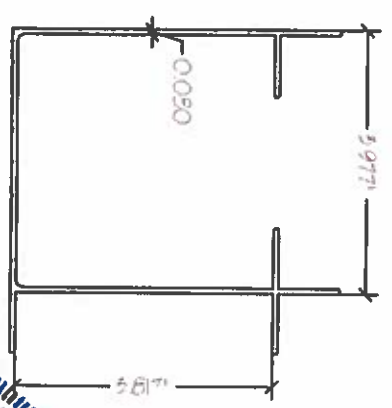


16 6" SILL



17 4" POST SLEEVE / WING PANEL CAP

18 4" POST SLEEVE



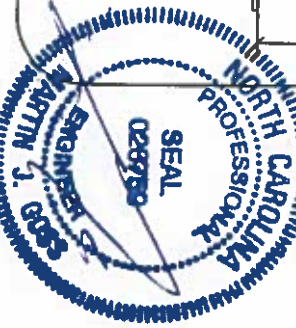
20 CORNER POST

CHAMPION WINDOWS AND PATIO ROOMS  
4" Wall System with Studio Style Roof

SECTION DETAILS

**CES**  
CHAMPION ENCLOSURE SUPPLIERS  
12111 CHAMPION WAY, CINCINNATI, OH 45241  
PH: (513) 782-3900 FAX: (513) 782-3903

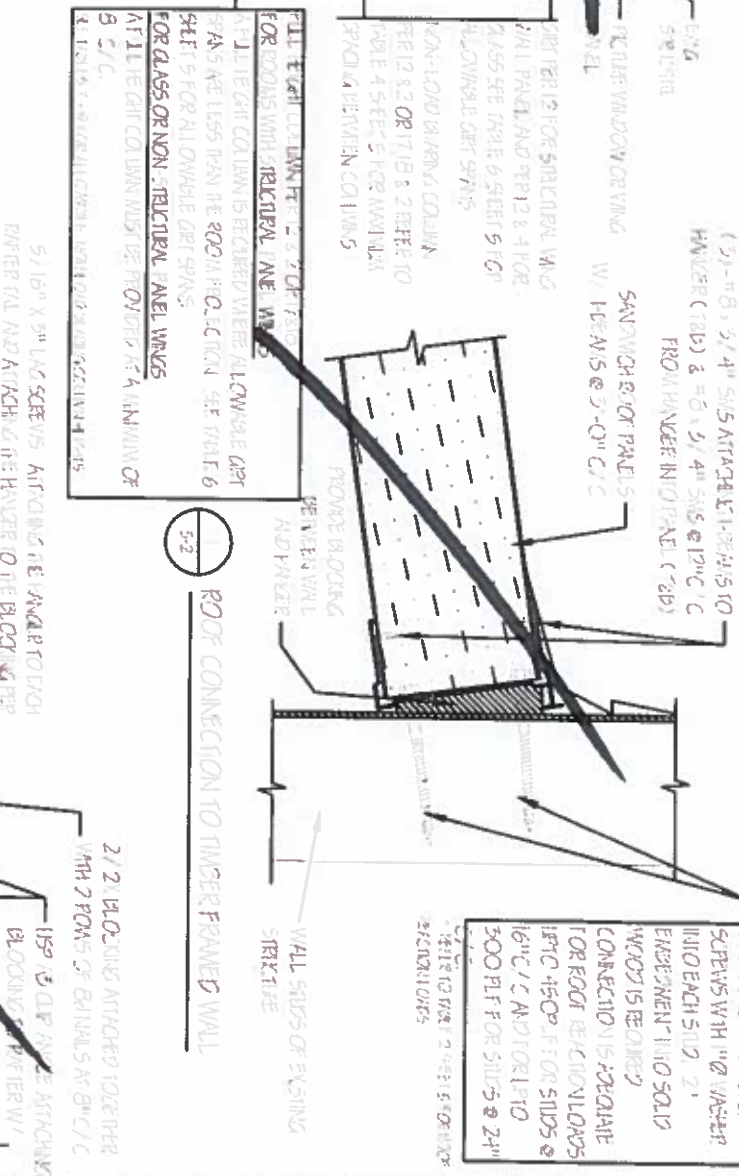
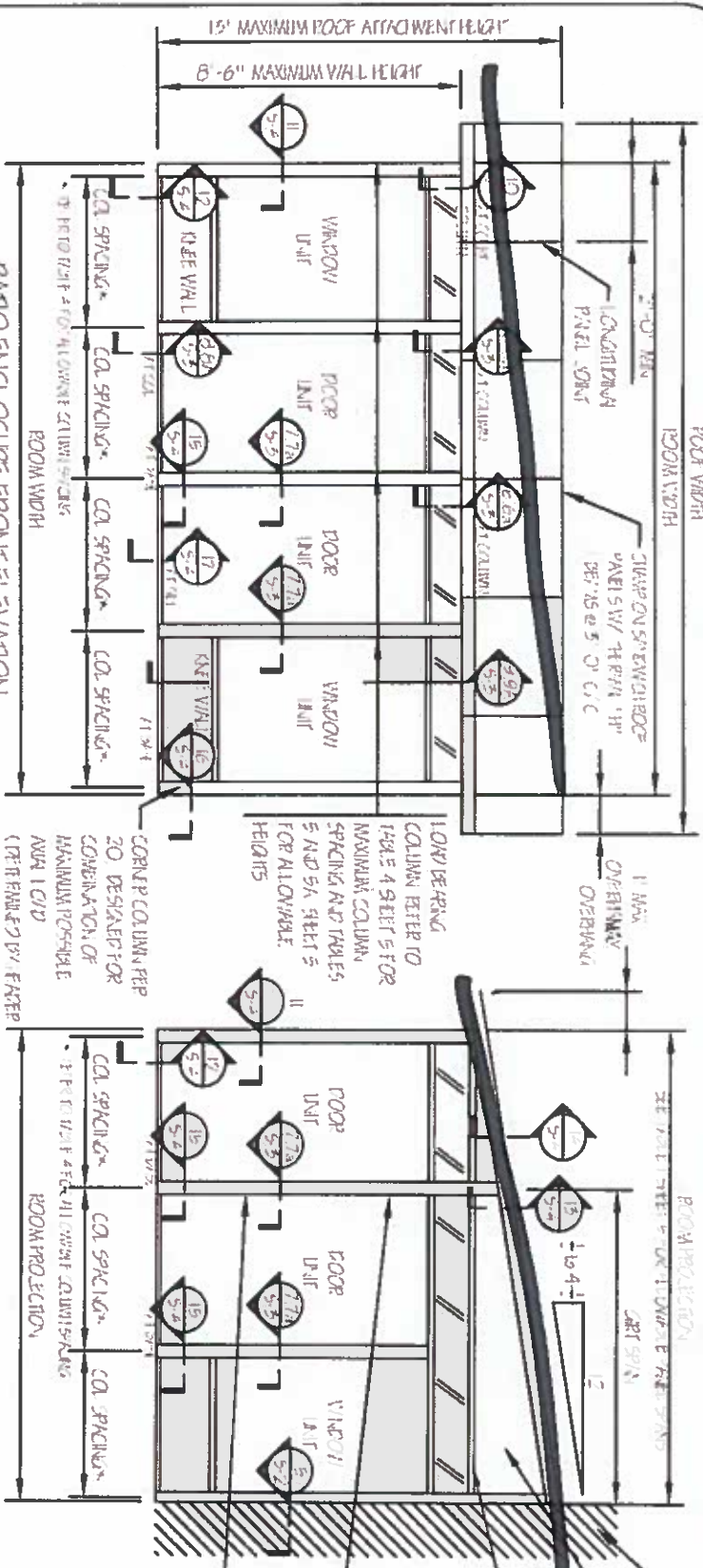
DATE: 2/13/19
SCALE: NTS
Drawn by: M/JG
REV: _____ DATE: _____
SHEET: 1 OF 5



2/26/2025

# "WALLS ONLY" BUILT ON EXISTING CONCRETE & UNDER EXISTING HEADERS & ROOF-

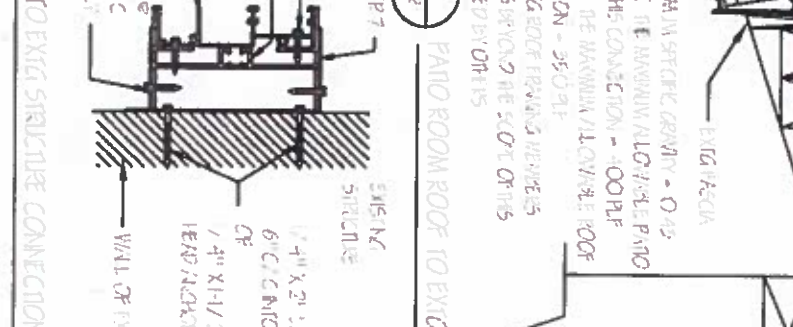
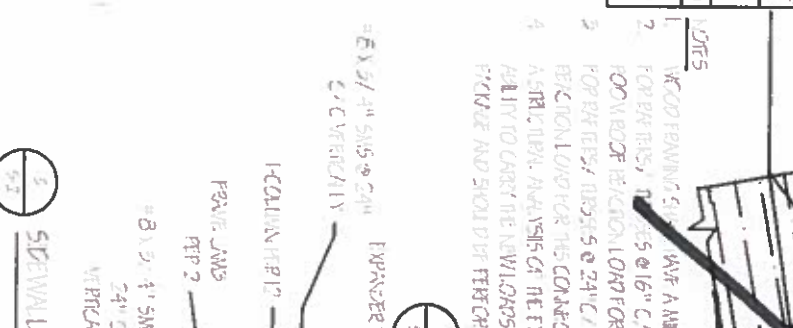
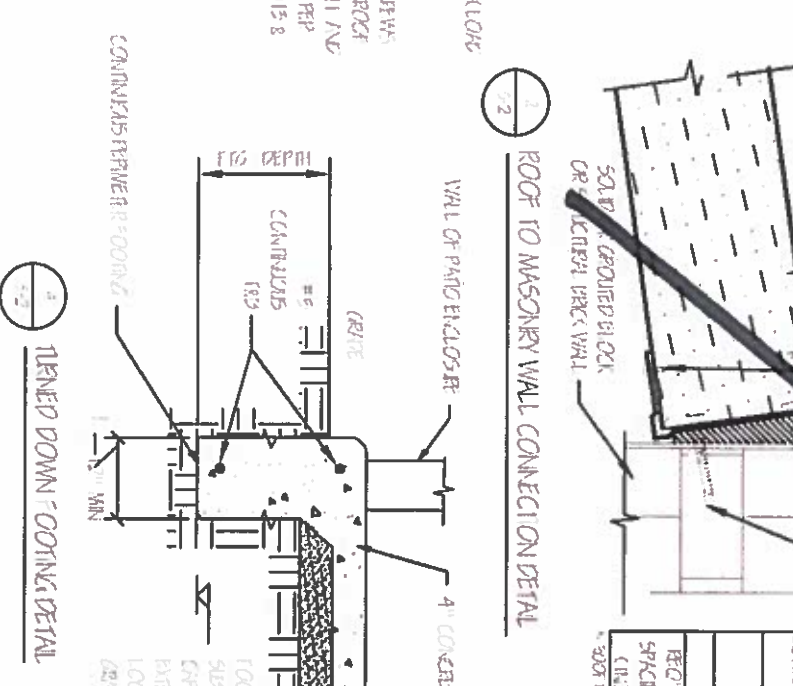
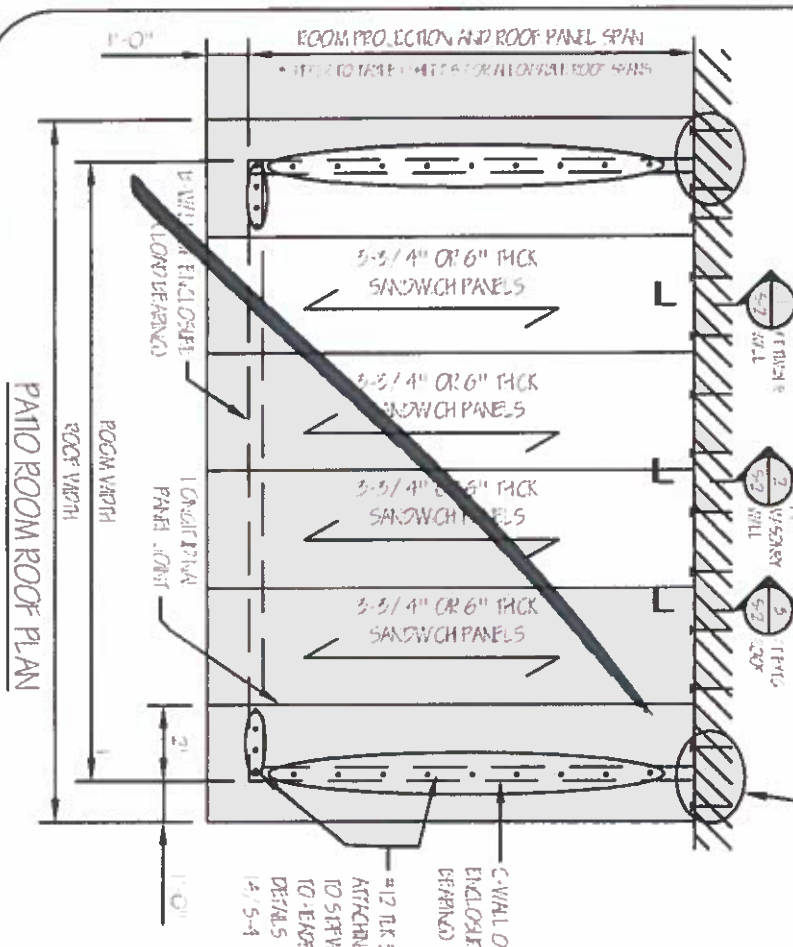
NOTE: ALTERNATE CONNECTIONS OF DOORS, WINDOWS AND RIEF WALLS ARE PERMITTED PROVIDED THE SPECIFIED WEIGHT AND SPACING LIMITATIONS ARE ADHERED TO.



ZONE	WIND	MAX ROOM PROJECTION (FT)
1	LI-X ROOM WIDTH	1
2	LO-X ROOM WIDTH	2
3	CO-X ROOM WIDTH	3
4	OS-X ROOM WIDTH	4

2 SETS OF 5/16" X 3" LAG SCREWS WITH 1/2" WASHER @ 16" C/C CONNECTIONS EXCEPT AT THE END OF THE ROOF DIMENSION TO A MASONRY STRUCTURE

2 SETS OF (2) 1/4" X 3 3/4" HEAVY-DUTY CONCRETE ANCHORS @ 12" C/C CONNECTIONS AT THE END OF THE ROOF DIMENSION TO A MASONRY STRUCTURE



ROOM PROJECTION	ROOM WIDTH	ROOM HEIGHT	ROOM AREA
1	6'	8'	48
2	12'	8'	96
3	18'	8'	144
4	24'	8'	192

1. 2x4 BLOCKING ATTACHED TO EXISTING WALL WITH 2 ROWS OF 2x4S AT 24" C/C

2. 2x6 FRAMING ATTACHED TO EXISTING WALL WITH 2 ROWS OF 2x6S AT 24" C/C

3. 2x6 FRAMING ATTACHED TO EXISTING WALL WITH 2 ROWS OF 2x6S AT 24" C/C

4. 2x6 FRAMING ATTACHED TO EXISTING WALL WITH 2 ROWS OF 2x6S AT 24" C/C

1. 2x4 BLOCKING ATTACHED TO EXISTING WALL WITH 2 ROWS OF 2x4S AT 24" C/C

2. 2x6 FRAMING ATTACHED TO EXISTING WALL WITH 2 ROWS OF 2x6S AT 24" C/C

3. 2x6 FRAMING ATTACHED TO EXISTING WALL WITH 2 ROWS OF 2x6S AT 24" C/C

4. 2x6 FRAMING ATTACHED TO EXISTING WALL WITH 2 ROWS OF 2x6S AT 24" C/C

1. 2x4 BLOCKING ATTACHED TO EXISTING WALL WITH 2 ROWS OF 2x4S AT 24" C/C

2. 2x6 FRAMING ATTACHED TO EXISTING WALL WITH 2 ROWS OF 2x6S AT 24" C/C

3. 2x6 FRAMING ATTACHED TO EXISTING WALL WITH 2 ROWS OF 2x6S AT 24" C/C

4. 2x6 FRAMING ATTACHED TO EXISTING WALL WITH 2 ROWS OF 2x6S AT 24" C/C

**CHAMPION WINDOWS AND PATIO ROOM**  
**4" Wall System with Studio Style Roof**

**ELEVATION AND SECTION DETAILS**

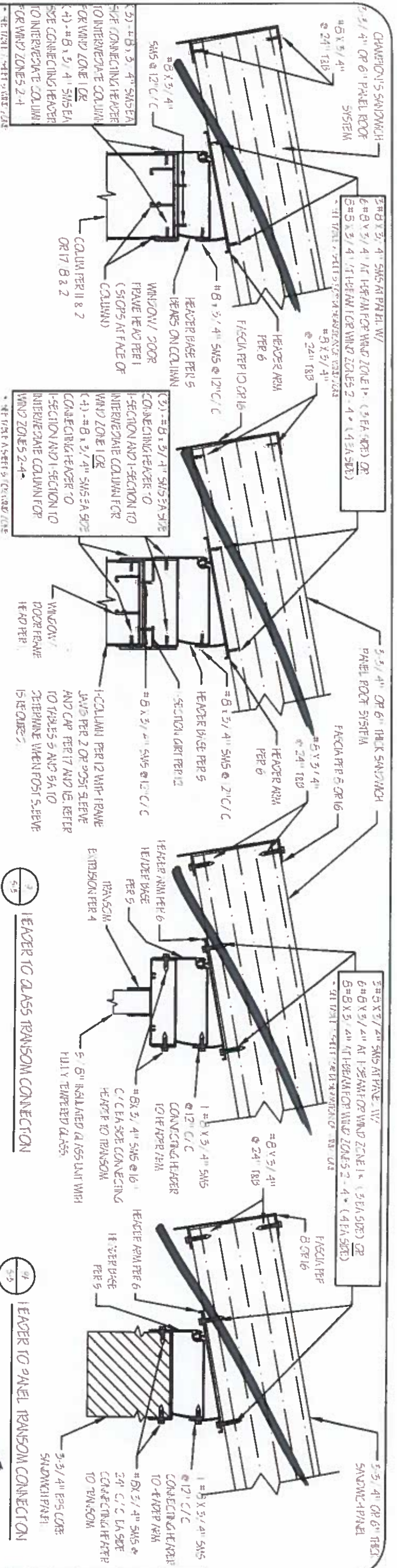
DATE: 2/13/19  
 SCALE: NTS  
 Drawn by: MAG  
 REV: DATE

**CES**  
**CHAMPION ENCLOSURE SUPPLIERS**  
 12111 CHAMPION WAY, CINCINNATI, OH 45241  
 PH: (513) 782-3900 FAX: (513) 782-3903



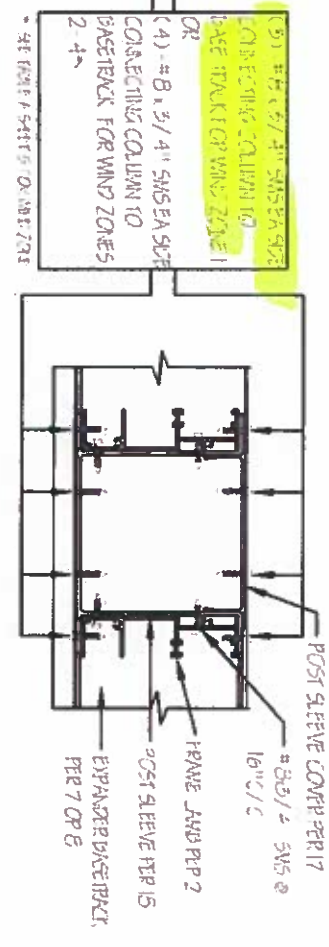
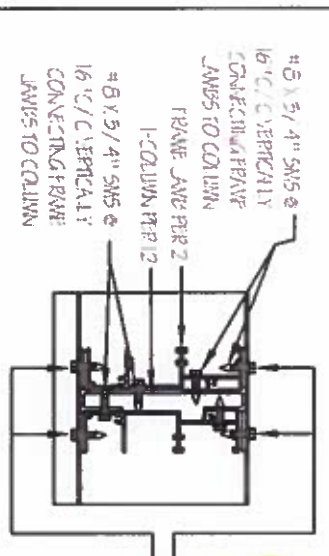
DATE: 2/13/19	SCALE: NTS
Drawn by: MAG	REV: DATE
SHEET 2 OF 5	

# WALLS ONLY BUILT ON EXISTING CONCRETE & UNDER EXISTING HEADERS & ROOF



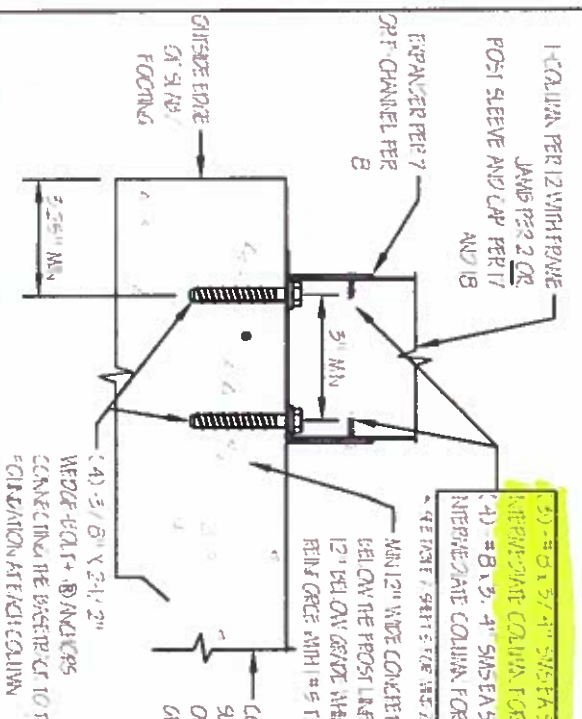
5-5 STANDARD HEADER TO CENTER COLUMN CONNECTION

6-1 HEADER WITH I-SECTION TO CENTER COLUMN CONNECTION



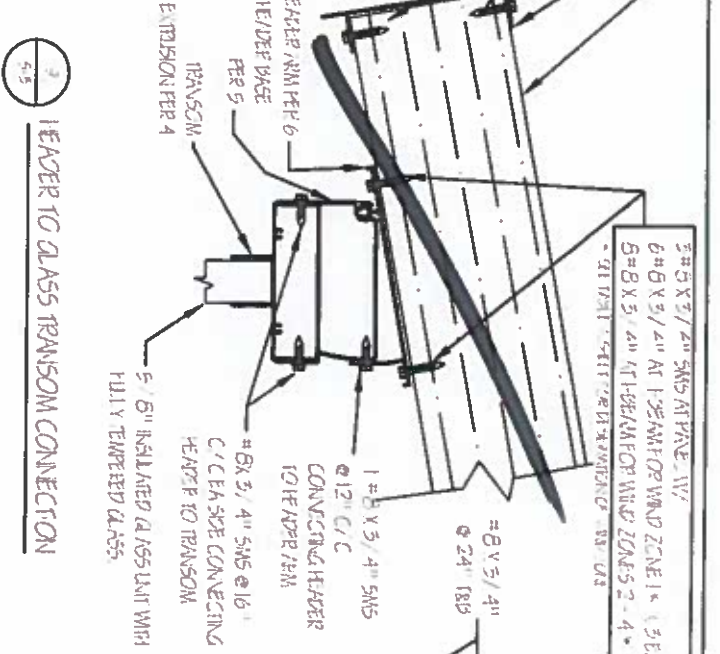
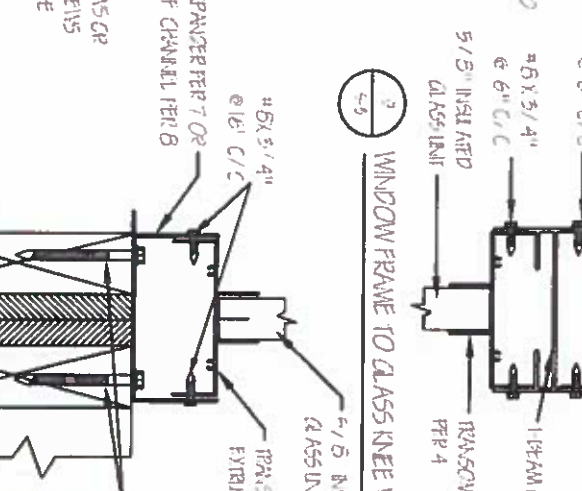
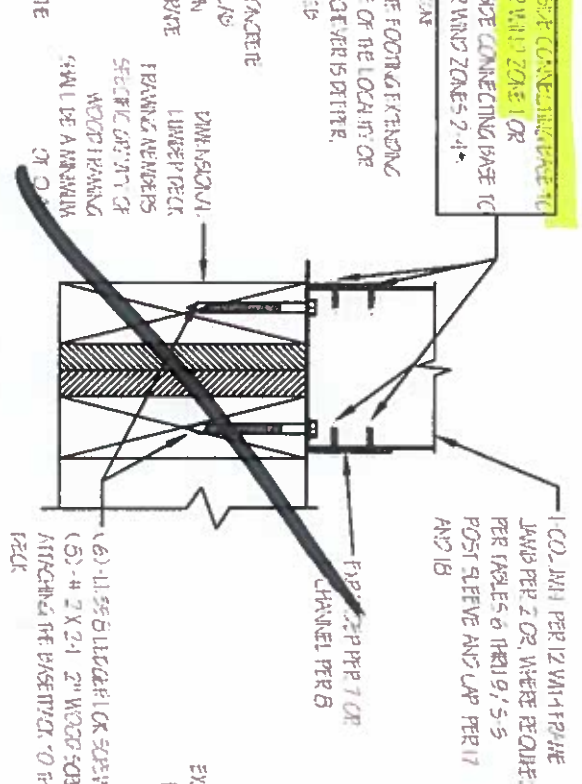
7-1 CENTER COLUMN PER 7, 18+2 TO BASE CONNECTION

7-2 CENTER COLUMN PER 12 WITH FRAME JAMB PER 2 OR POST SLEEVE AND CAP PER 17 AND 18

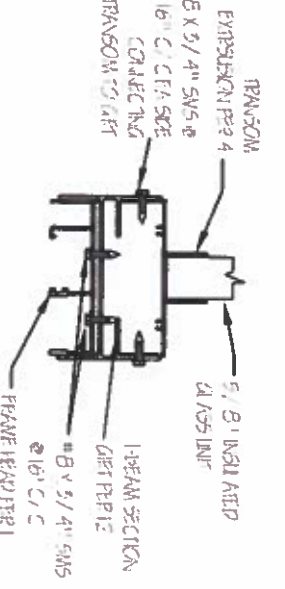


8-1 CENTER COLUMN TO FOUNDATION CONNECTION

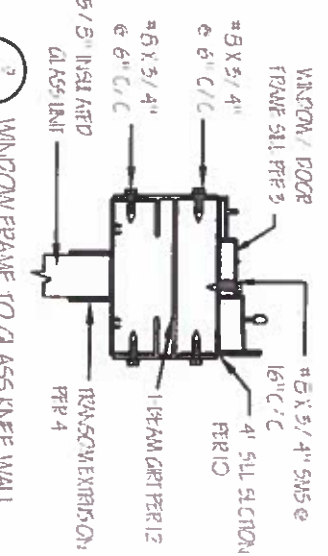
8-2 CENTER COLUMN TO DECK CONNECTION



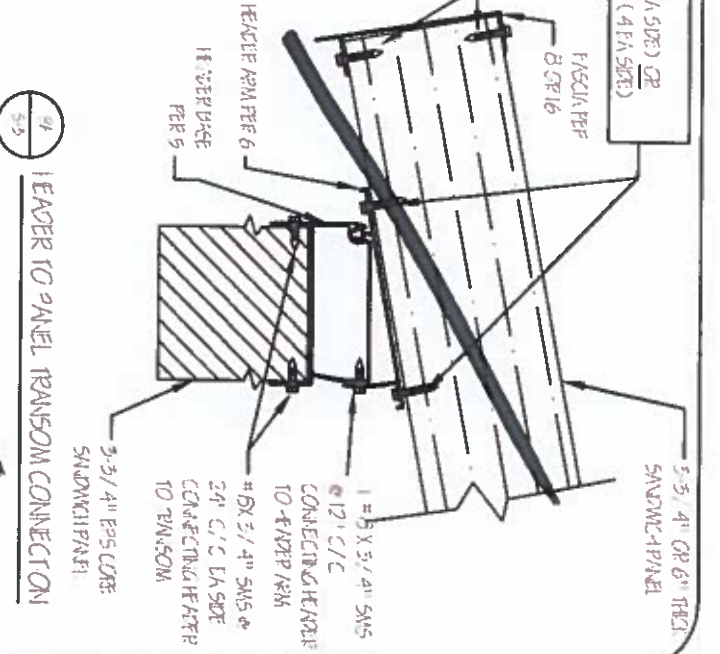
9-1 HEADER TO GLASS TRANSOM CONNECTION



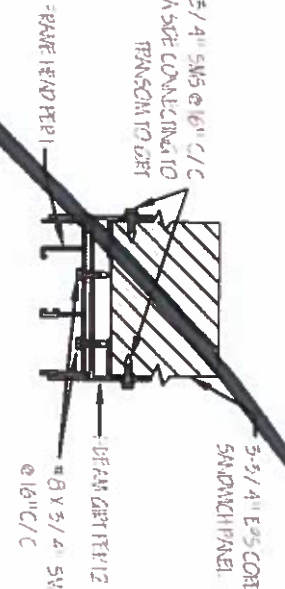
9-2 TRANSOM TO WINDOW FRAME



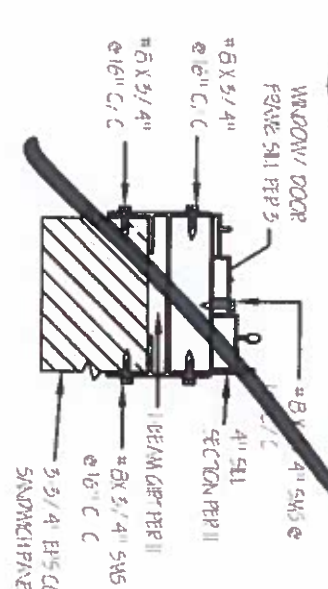
9-3 WINDOW FRAME TO GLASS KNEE WALL



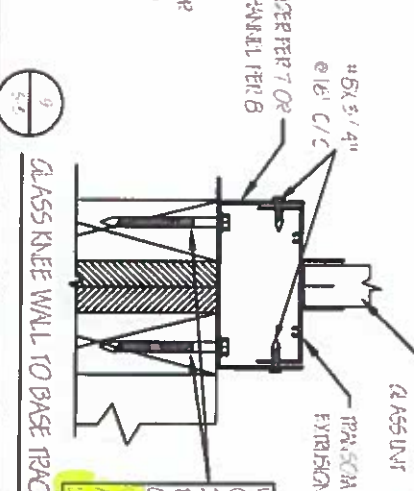
9-4 HEADER TO PANEL TRANSOM CONNECTION



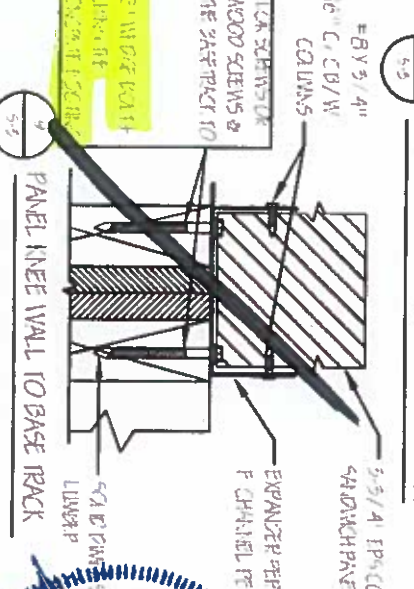
9-5 PANEL TRANSOM TO WINDOW FRAME



9-6 WINDOW FRAME TO PANEL KNEE WALL



9-7 GLASS KNEE WALL TO BASE TRACK



9-8 WINDOW FRAME TO PANEL KNEE WALL

CHAMPION WINDOWS AND PATIO ROOM  
4" Wall System with Studio Style Roof

SECTION DETAILS

**CES**  
CHAMPION ENCLOSURE SUPPLIERS  
12111 CHAMPION WAY, CINCINNATI, OH 45241  
PH: (513) 782-3900 FAX: (513) 782-3903

DATE: 2/13/19  
SCALE: NTS  
Drawn by: MUG  
REV: DATE:

SHEET 3 OF 5





