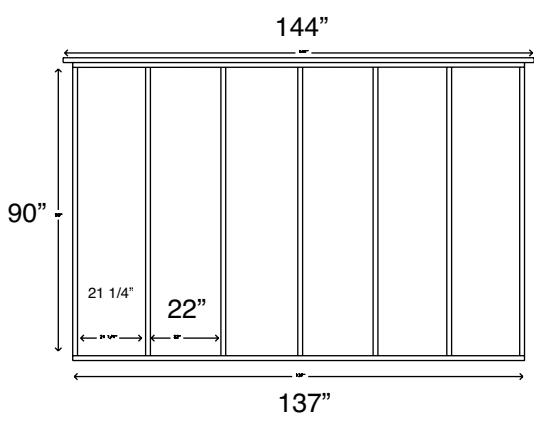
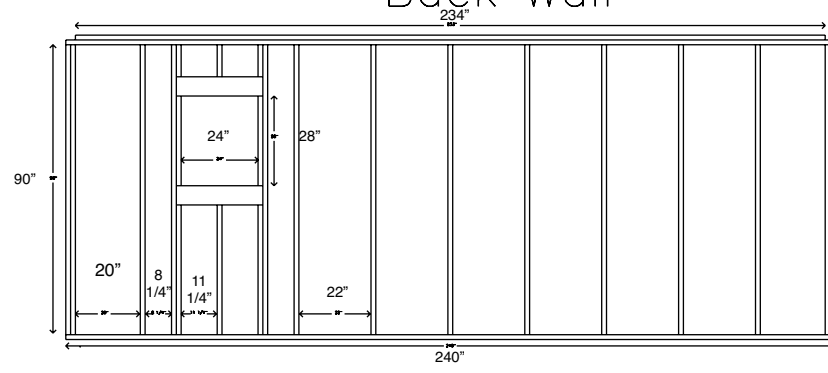


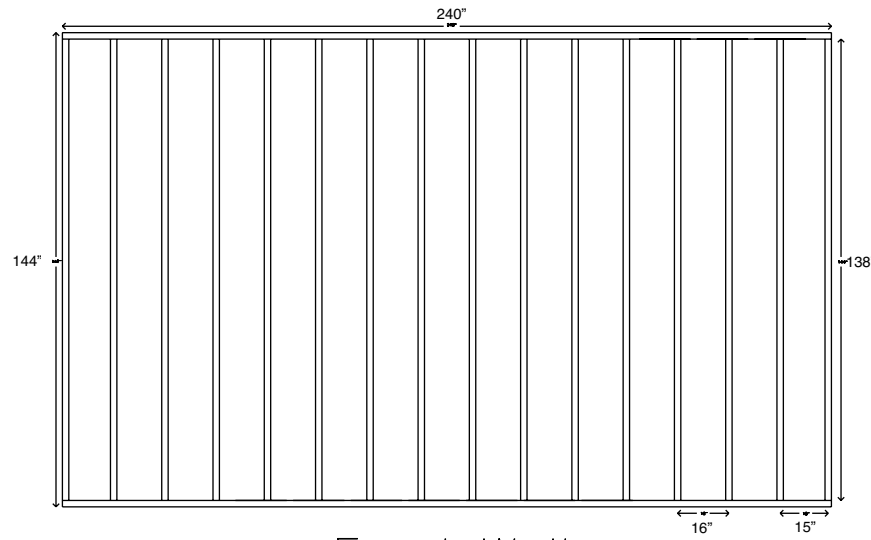
Side Wall



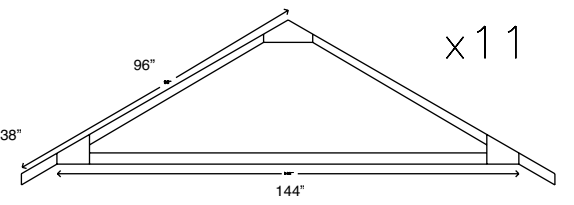
Back Wall



Floor



Roof Truss



Front Wall

