

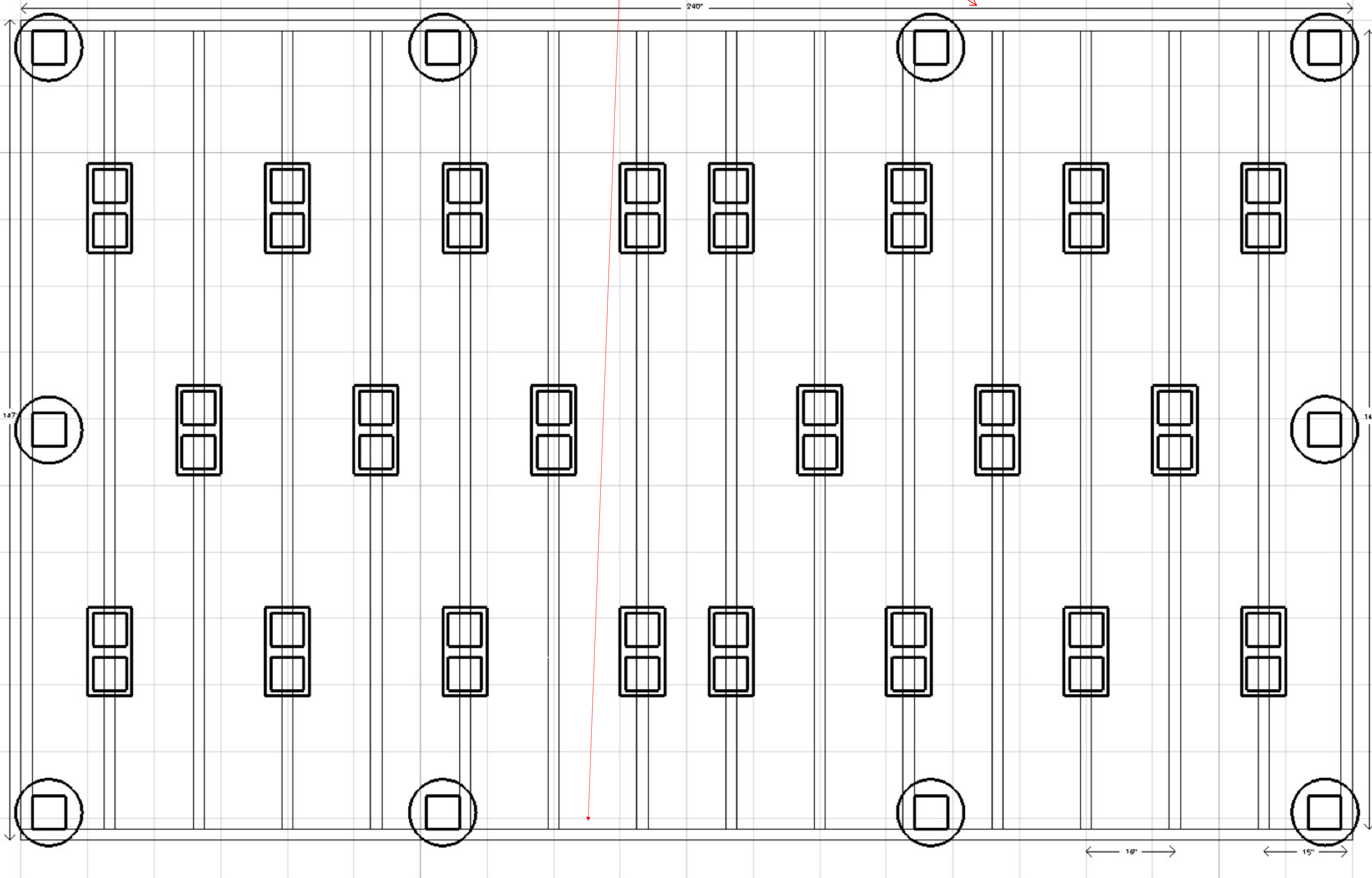
6"x6" post bedded in 12"x24" concrete pier. 2"x6" flooring frame will be bolted directly to foundation posts

2- 5/8 hot dipped galvanized through bolts at each post.

Outer band must be double 2x10 minimum

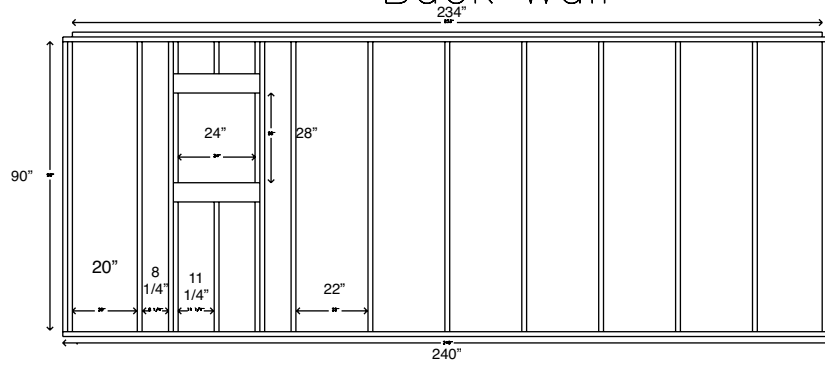
Floor

Remainder of flooring will be supported by 8"x8"x16" cinderblock

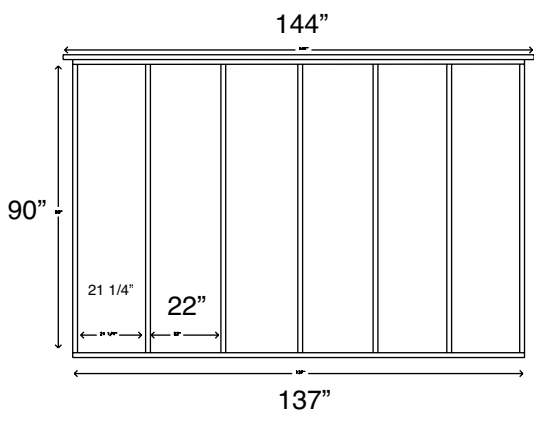




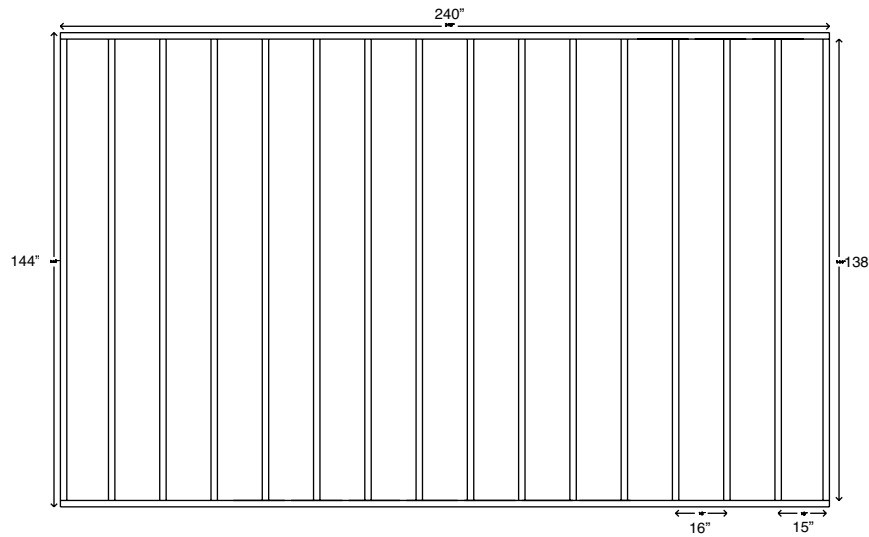
Back Wall



Side Wall

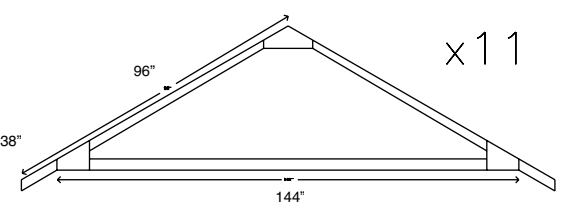


Floor



Truss-- must have engineers design paperwork at site

Roof Truss



Front Wall

