

MORTON BUILDINGS GENERAL SPECIFICATIONS

LAMINATED COLUMNS - NO. 1 OR BETTER SOUTHERN YELLOW PINE NAIL LAMINATED 3 MEMBER S4S COLUMNS NAILED 8" O.C., STAGGERED ON EACH SIDE WITH 4" NAILS.

MFS PRE-CAST CONCRETE COLUMN - MORTON BUILDINGS FOUNDATION SYSTEM IS A PRE-ENGINEERED, 10,000 PSI, STEEL REINFORCED COLUMN FOR BELOW GROUND INSTALLATION. DESIGNED TO BE MECHANICALLY FASTENED TO ABOVE GROUND NAIL LAMINATED COLUMNS. THE SYSTEM IS DESIGNED TO RESIST BOTH AXIAL AND BENDING FORCES.

FOOTINGS AND ANCHORAGE - COLUMN HOLES ARE DUG A MINIMUM DEPTH OF 4'-0" BELOW GRADE (SEE PLANS FOR DIAMETER AND DEPTH). MFS PRE-CAST CONCRETE COLUMNS ARE PLACED IN THE HOLE. CONCRETE (MINIMUM COMPRESSIVE STRENGTH 2500 PSI) IS POURED IN PLACE TO THE SPECIFIED THICKNESS (SEE PLANS FOR REQUIRED THICKNESS ABOVE AND BELOW THE COLUMN). THE COLUMN IS THEN BACKFILLED WITH SOIL AND COMPACTED AT 8" INTERVALS OR BACKFILLED WITH CONCRETE (SEE PLANS).

TREATED LUMBER -- PRESSURE PRESERVATIVE TREATED LUMBER OTHER THAN LAMINATED COLUMNS ARE NO. 1 OR BETTER SOUTHERN YELLOW PINE AND CENTER MATCHED OR NOTCHED AND GROOVED OR S4S. PRESSURE TREATMENT TO GROUND CONTACT RETENTION WITH PRESERVATIVE TREATMENT COMPLYING WITH USE CATEGORY UC4B (AWPA OR ICC-ES) AND IN COMPLIANCE WITH USEPA GUIDELINES AND STANDARDS.

FRAMING LUMBER - SIDING NAILERS ARE 2x4 S4S OR 2x6 SPF NO. 2 OR BETTER SPACED APPROXIMATELY 36" O.C. WITH ALL JOINTS STAGGERED AT ATTACHMENT TO COLUMNS. ROOF PURLINS ARE 2x4 S4S NO. 2 OR BETTER ON EDGE SPACED APPROXIMATELY 24" O.C. ALL OTHER FRAMING LUMBER IS NO. 2 OR BETTER.

ROOF TRUSSES - FACTORY ASSEMBLED WITH 18 OR 20 GAUGE GALVANIZED STEEL TRUSS PLATES AS REQUIRED AND KILN DRIED LUMBER AS SPECIFIED, IN-PLANT QUALITY CONTROL INSPECTION IS CONDUCTED UNDER THE AUSPICES OF THE TPI INSPECTION BUREAU. TRUSSES ARE DESIGNED IN ACCORDANCE WITH CURRENT STANDARDS AND SPECIFICATIONS FOR THE STATED LOADING.

SIDING & ROOFING PANELS (FLUOROFLEX 1000™) - 0.019" MIN., G90 GALVANIZED OR AZ55 GALVALUME STEEL WITH AN ADDITIONAL BAKED-ON 70% PVDF FINISH WITH A NOMINAL 1 MIL. PAINT THICKNESS ON EXTERIOR.

TRIM - DIE-FORMED TRIM OF 0.017" MIN., G90 GALVANIZED OR AZ55 GALVALUME STEEL ON GABLES, RIDGES, CORNERS, BASE WINDOWS, AND DOORS WITH SAME FINISH AS ROOFING OR SIDING PANELS.

GUTTERS - 5" K-STYLE, .030 HIGH TENSILE ALUMINUM GUTTER, 70% PVDF FINISH TO MATCH TRIM, ON BOTH SIDES OF THE BUILDING.
2x4F1F1 02/12

NOTICE TO CONTRACTOR
All construction must comply with current NC Building Codes and is subject to field inspection and verification.

APPROVED

Limited building only review
Permit holder responsible for full compliance with the code

05/04/2020

DESIGN AND EXPLANATORY NOTES

- 1.) ALL PLOT PLANS AND RELATED DETAILS SHALL BE PROVIDED BY OWNER UNLESS INCORPORATED AS PART OF THESE DRAWINGS.
- 2.) MORTON BUILDINGS GENERAL SPECIFICATIONS APPLY UNLESS INDICATED DIFFERENTLY ON SPECIFIC JOB DRAWINGS OR SUPPLEMENTAL INFORMATION.
- 3.) MINIMUM LIVE ROOF LOAD DESIGNS FOR CONSTRUCTION, MAINTENANCE, REPAIR, AND OTHER TEMPORARY LOADS PER SECTION 1607.12.2
 - a.) ROOF PURLINS AND OTHER SECONDARY STRUCTURAL MEMBERS = 20 PSF
 - b.) ROOF TRUSSES, HEADERS, COLUMNS AND OTHER PRIMARY STRUCTURAL MEMBER = 18 PSF
 - c.) FOOTINGS = 12 PSF (DESIGNED FOR ROOF SNOW LOAD AND OTHER NON-TEMPORARY LOADS W/ APPROVAL FROM BUILDING OFFICIAL).
- 4.) NO ONE MAY ALTER ANY ENGINEERING ITEM UNLESS ACTING UNDER THE DIRECTION OF THE LICENSED / REGISTERED ENGINEER .
- 5.) ♦ THE PRECEDING SYMBOL IDENTIFIES ITEMS THROUGHOUT THE PLANS THAT ARE NOT PROVIDED BY MORTON BUILDINGS, INC. OR MORTON BUILDINGS' SUBCONTRACTORS AND ARE THE OWNER'S RESPONSIBILITY.

OFFICE: WILSON, NC
JOB NO. 137-094576

AGRI-FINANCIAL SERVICES
ANGIER, NC

SHEET INDEX	
SHEET#	DESCRIPTION
G1.1 OF G1	SPECIFICATIONS & SHEET INDEX
S1.1 OF S8	COLUMN PLAN
S2.1 OF S8	TRUSS/BRACING PLAN & DETAILS
S3 OF S8	TRUSS DRAWING, & DETAILS
S4.1 OF S8	ELEVATIONS
S5 OF S8	SECTIONS & DETAILS
S6.1 OF S8	SECTIONS & DETAILS
S7.1 OF S8	SECTIONS & DETAILS
S8 OF S8	PORCH DETAILS

CURRENT LUMBER SPECIFICATIONS (06-01-2013)		
SIZE	DESCRIPTION	BENDING VALUE Fb
2x4	NO. 2 SPF	1313 PSI
2x4	NO. 1 SYP	1500 PSI
2x4	2100f MSR SPF	2100 PSI
2x6	NO. 2 SPF	1138 PSI
2x6	NO. 1 SYP	1350 PSI
2x6	2100f MSR SPF	2100 PSI
2x6	2400 MSR SYP	2400 PSI
2x8	NO. 1 SYP	1250 PSI
2x8	2400 MSR SYP	2400 PSI
2x10	NO. 1 SYP	1050 PSI
2x10	2400 MSR SYP	2400 PSI
2x12	NO. 1 SYP	1000 PSI
2x12	2250f MSR SYP	2250 PSI
1 1/2"x1 6"	LAMINATED VENEER LUMBER	2800 PSI
3 1/2"x15"	GLU-LAM	1650 PSI
5 1/4"x16 1/2"	GLU-LAM	2400 PSI
5 1/4"x19 1/2"	GLU-LAM	2400 PSI

BUILDING DESIGN CRITERIA	
BUILDING CODE	NCBC 2018
USE GROUP	S-1
CONSTRUCTION TYPE	VB
RISK CATEGORY	I
BUILDING AREA	3240 SQ. FT.
MIN. LIVE ROOF LOAD DESIGN	SEE NOTE #3
ROOF SNOW LOAD *	10 PSF
GROUND SNOW LOAD	15 PSF
WIND SPEED (VULT)	### MPH
WIND SPEED (Vasd)	93 MPH

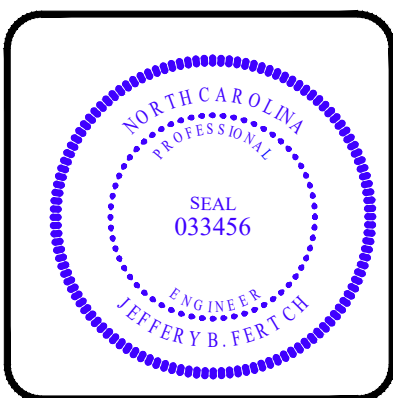
*ROOF SNOW LOAD CALCULATIONS

$P_f = 0.7 \times C_e \times I \times P_g \times C_t$
 $C_e = \text{SNOW EXPOSURE FACTOR} = 1.0$
 $I = \text{IMPORTANCE FACTOR} = 0.8$
 $P_g = \text{GROUND SNOW LOAD} = 15 \text{ PSF}$
 $C_t = \text{THERMAL FACTOR} = 1.2$
 $P_f = 0.7 \times 1.0 \times 0.8 \times 15 \times 1.2 = 10.08 \text{ PSF}$
 $C_s = \text{ROOF SLOPE FACTOR} = 0.94$
 $P_s = P_f \times C_s = 10.08 \times 0.94 = 9.48 \text{ PSF}$

STRUCTURAL ENGINEERING RESOURCES, LLC

26 NORTH FOURTH STREET
GETTYSBURG, PA 17325
(717) 337-1335
JEFF@SERLLC.us

DRAWN BY:	DSM
DATE:	12/10/2019
CHECKED BY:	----
DATE:	----
REVISED DATE:	4/30/2020
REVISED DATE:	----
REVISED DATE:	----
REVISED DATE:	----

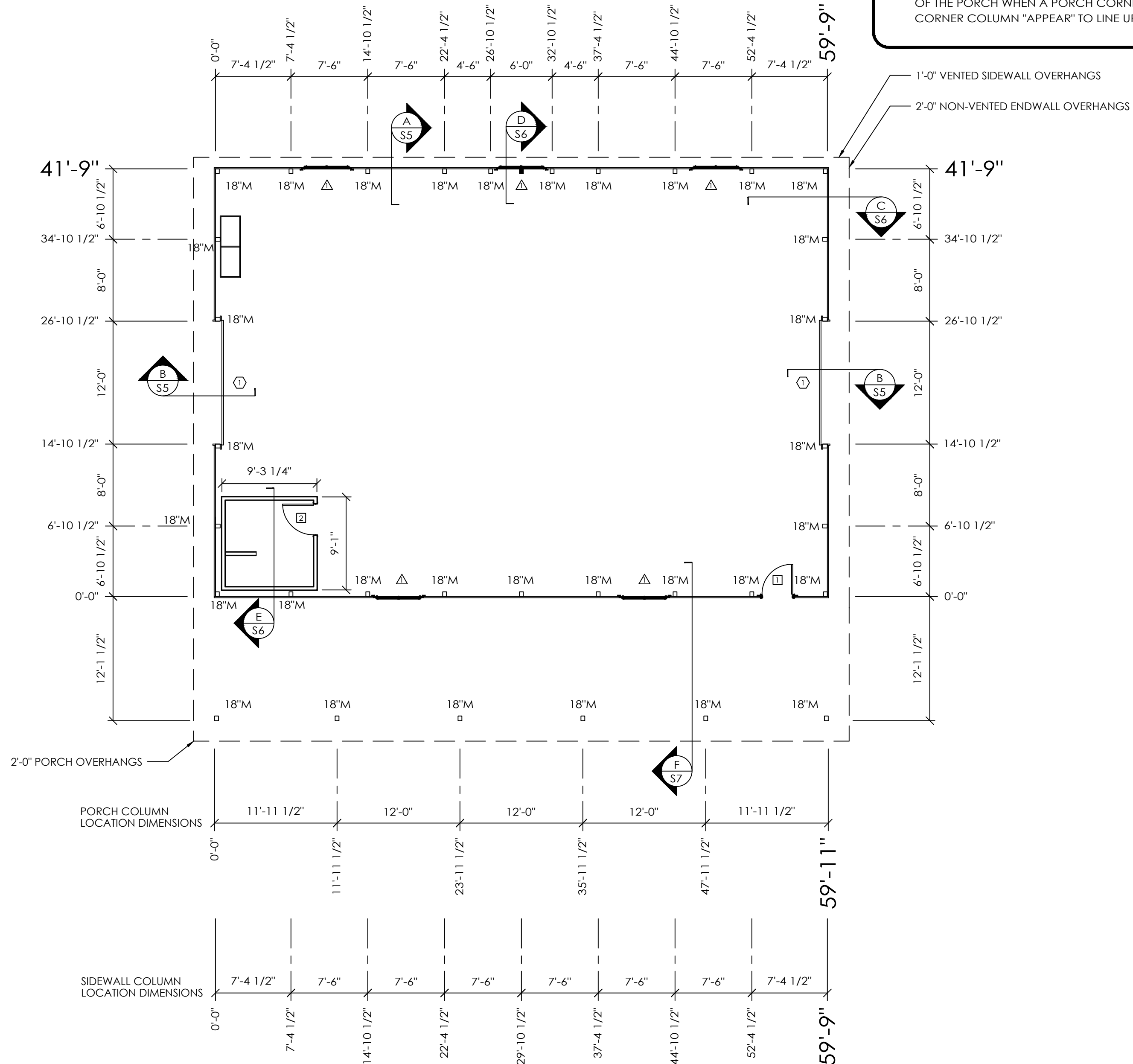


SCALE: AS NOTED
SHEET NO. G1 OF G1

DESIGN AND EXPLANATORY NOTES

1.) THE PORCH CORNER COLUMN IS SET OUT AN ADDITIONAL 1" ALONG THE LENGTH OF THE PORCH WHEN A PORCH CORNER COLUMN AND A MAIN BUILDING CORNER COLUMN "APPEAR" TO LINE UP.

OFFICE:
WILSON, NC
JOB NO.
137-094576

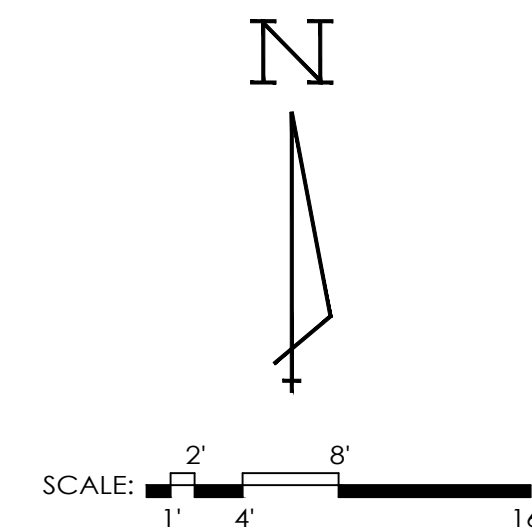


COLUMN PLAN LEGEND

- - 3-2x6 LAMINATED COLUMN LOCATION
- - HEADERED TRUSS LOCATION
- - 3068 MB910 9-LITE GLASS WITH CROSSBUCK WALKDOOR, IN SWING, LEFT HINGE WITH DOUBLE CYLINDER DEADBOLT, LOCKSET
- - 3068 INTERIOR WALKDOOR W/ PRIVACY LEVER LOCKSET
- △ - (5) 4429 9-LITE MB SLIDING WINDOWS
- ⊕ - (2) 12'-2"x10'-1" OVERHEAD DOORS
- ⊕ - 1/2" HEAVY DUTY THERMAX (ROOF ONLY)
- ALL STEEL FASTENED WITH STAINLESS STEEL SCREWS
- 18" M - 18" DIAMETER FOOTING WITH 4" TO BOTTOM OF 21" THICK CONCRETE PAD (2500 PSI MINIMUM). 20" BELOW BOTTOM OF PRECAST CONCRETE COLUMN AROUND EXPOSED REBAR CAGE AND 3/4"x14" THREADED ROD WITH AN ADDITIONAL MINIMUM 1" ABOVE BOTTOM OF PRECAST CONCRETE COLUMN. PLACE CONCRETE BELOW AND ABOVE BOTTOM OF LOWER COLUMN IN ONE OPERATION.

COLUMN PLAN

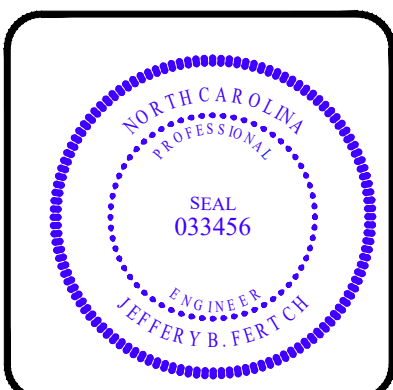
ROUGH OPENING SCHEDULE		
UNIT SYMBOL FROM LEGEND	WIDTH	HEIGHT
1	37 3/4"	81"
2	VERIFY	VERIFY
△	52 1/4"	33 5/8"



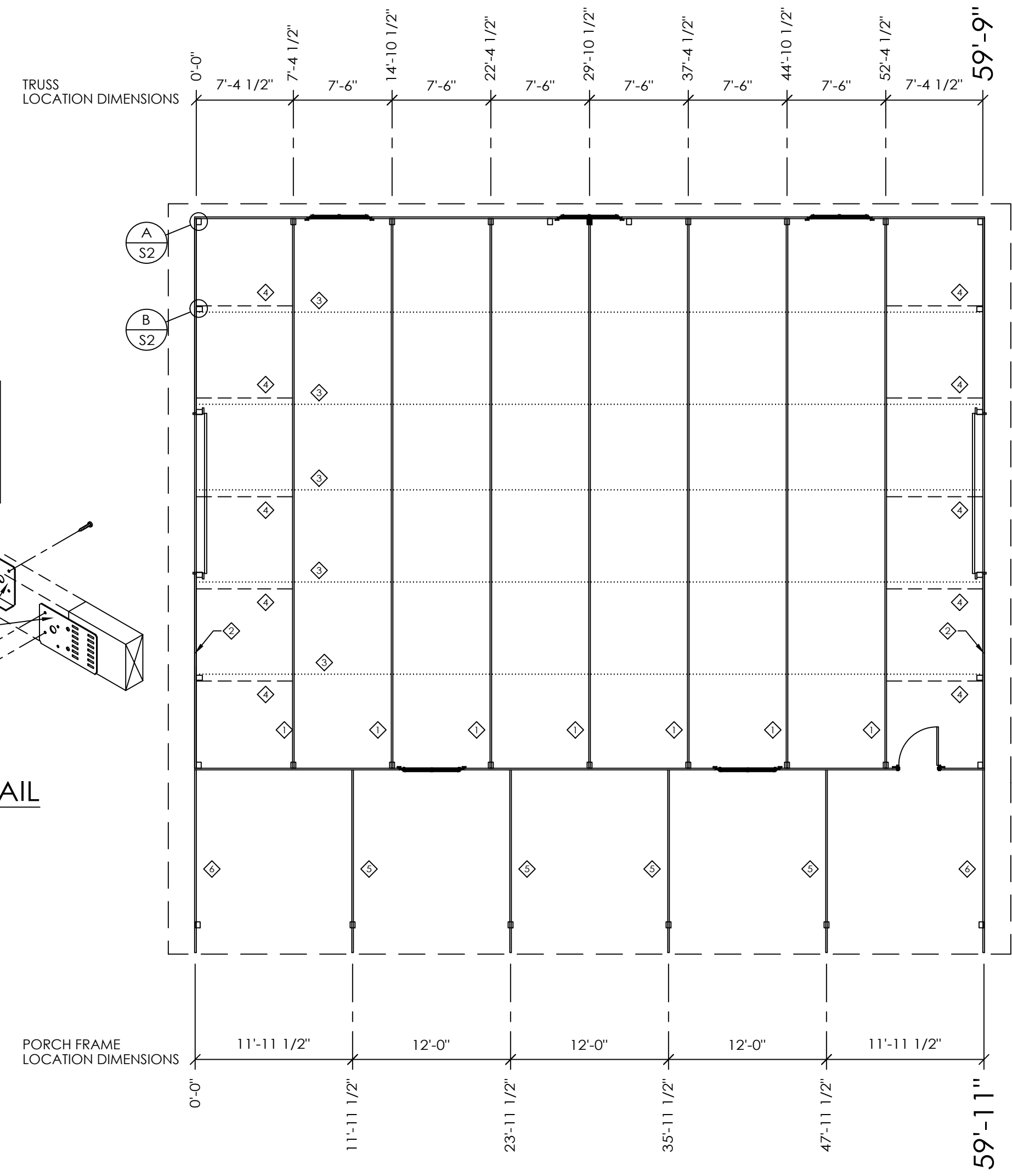
STRUCTURAL ENGINEERING RESOURCES, LLC
 26 NORTH FOURTH STREET
 GETTYSBURG, PA 17325
 (717) 337-1335
 JEFF@SERLLC.us

AGRI-FINANCIAL SERVICES
 ANGLIER, NC

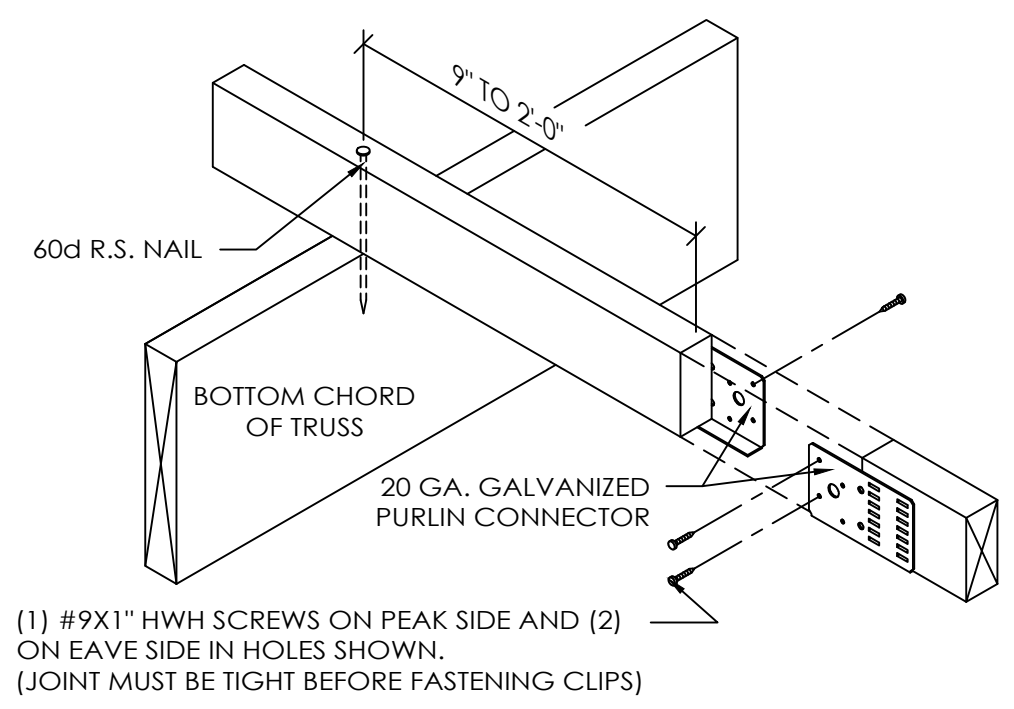
DRAWN BY:	DSM
DATE:	12/10/2019
CHECKED BY:	----
DATE:	----
REVISED DATE:	4/30/2020
REVISED DATE:	----
REVISED DATE:	----
REVISED DATE:	----



SCALE: AS NOTED
 SHEET NO.
S1.1 OF S8

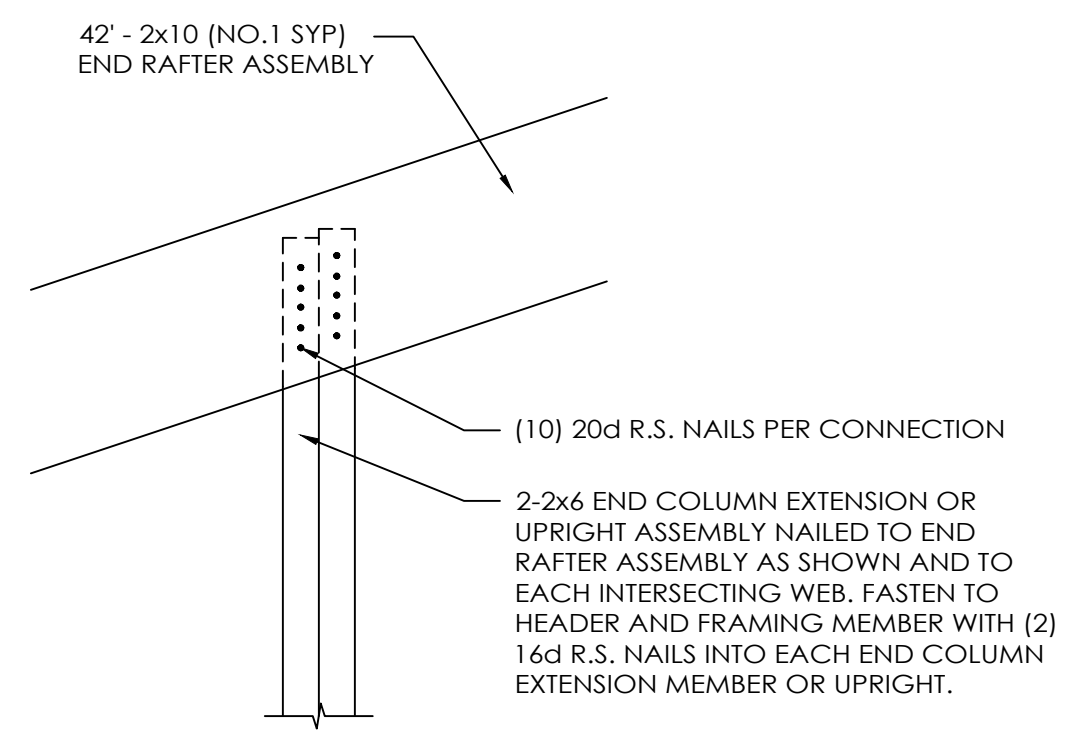


TRUSS/BRACING PLAN

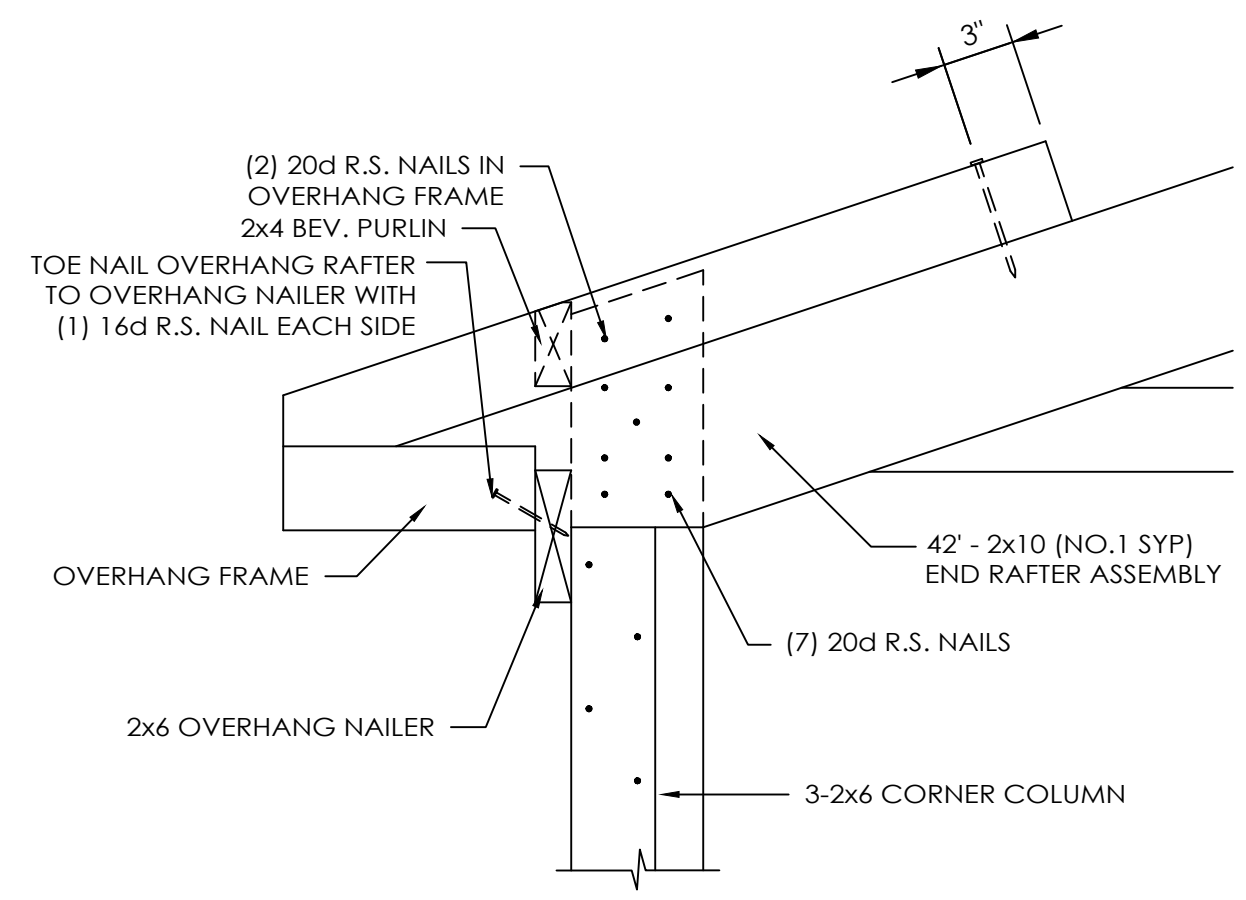


2x4 TRUSS TIE DETAIL

(1) #9X1" HWH SCREWS ON PEAK SIDE AND (2) ON EAVE SIDE IN HOLES SHOWN. (JOINT MUST BE TIGHT BEFORE FASTENING CLIPS)



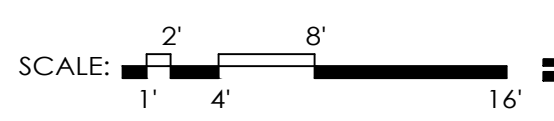
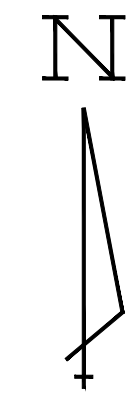
DETAIL B
SCALE: 1 1/2" = 1'-0"



DETAIL A
SCALE: 1 1/2" = 1'-0"

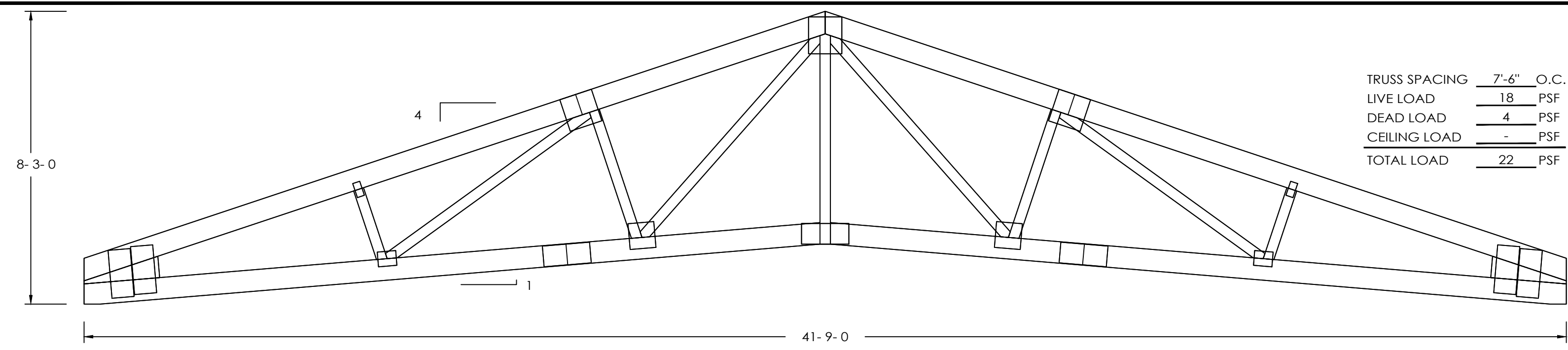
TRUSS/BRACING PLAN LEGEND

- ◇ - 42' 1290 R.C. TRUSS
- ◇ - 42' END RAFTER ASSEMBLY
- ◇ - 2x4 TRUSS TIES
- ◇ - 2x6 DIAGONAL END BRACES (TO EXTEND TO FIRST TRUSS IN FROM ENDWALL)
- ◇ - CUSTOM 12' INTERMEDIATE PORCH FRAME
- ◇ - CUSTOM 12' END PORCH FRAME

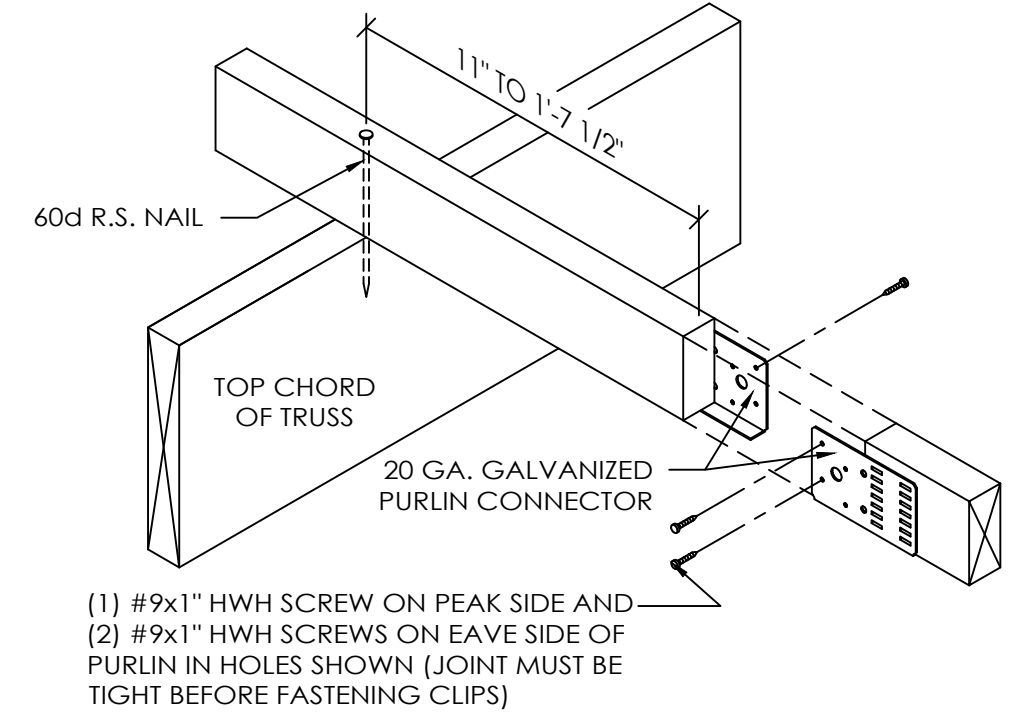


DRAWN BY:	DSM
DATE:	12/10/2019
CHECKED BY:	----
DATE:	----
REVISED DATE:	4/30/2020
REVISED DATE:	----
REVISED DATE:	----
REVISED DATE:	----

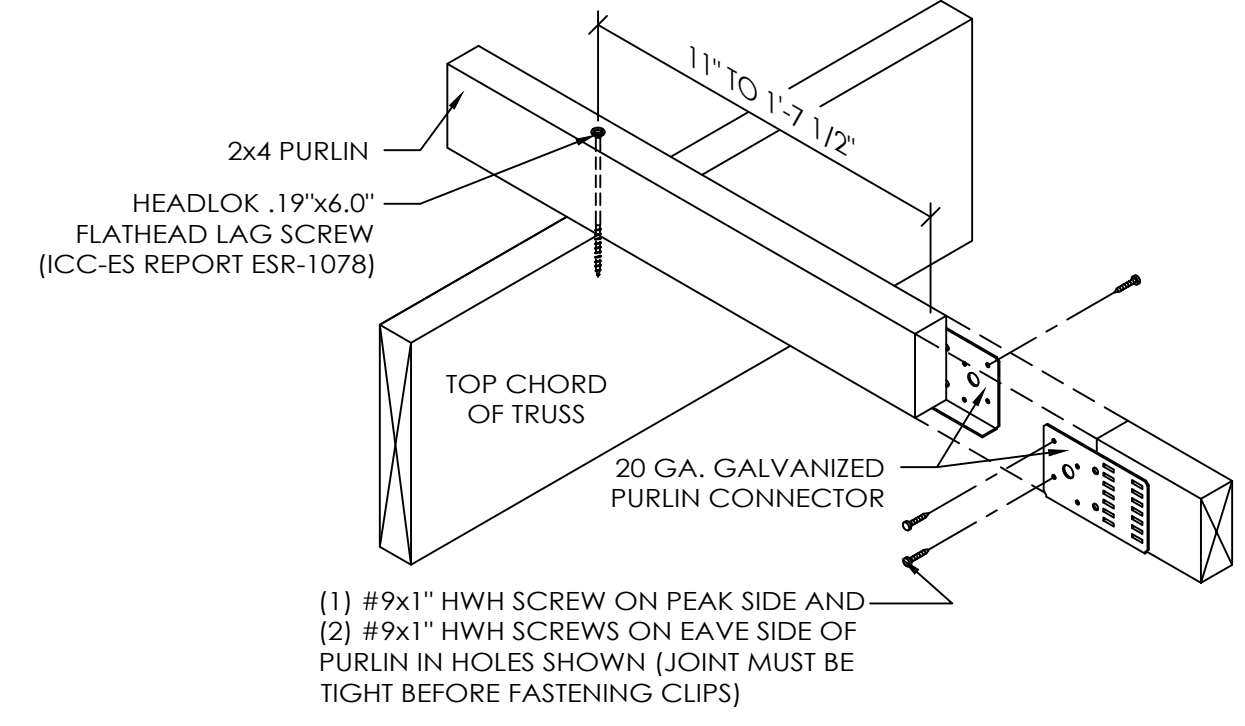




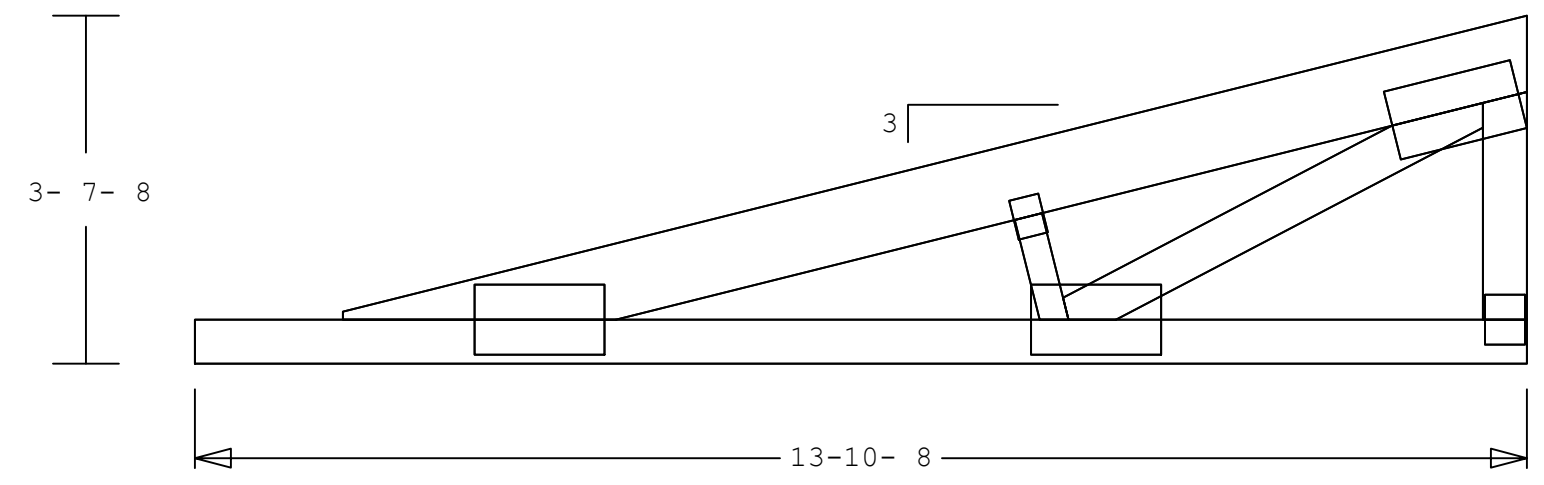
42' R.C. 1290 (4116) TRUSS
SCALE: 3/8" = 1'-0"



2x4 BUTTED PURLIN DETAIL
(PURLIN CONNECTED WITH 60D R.S. NAIL)
SCALE: 1 1/2" = 1'-0"

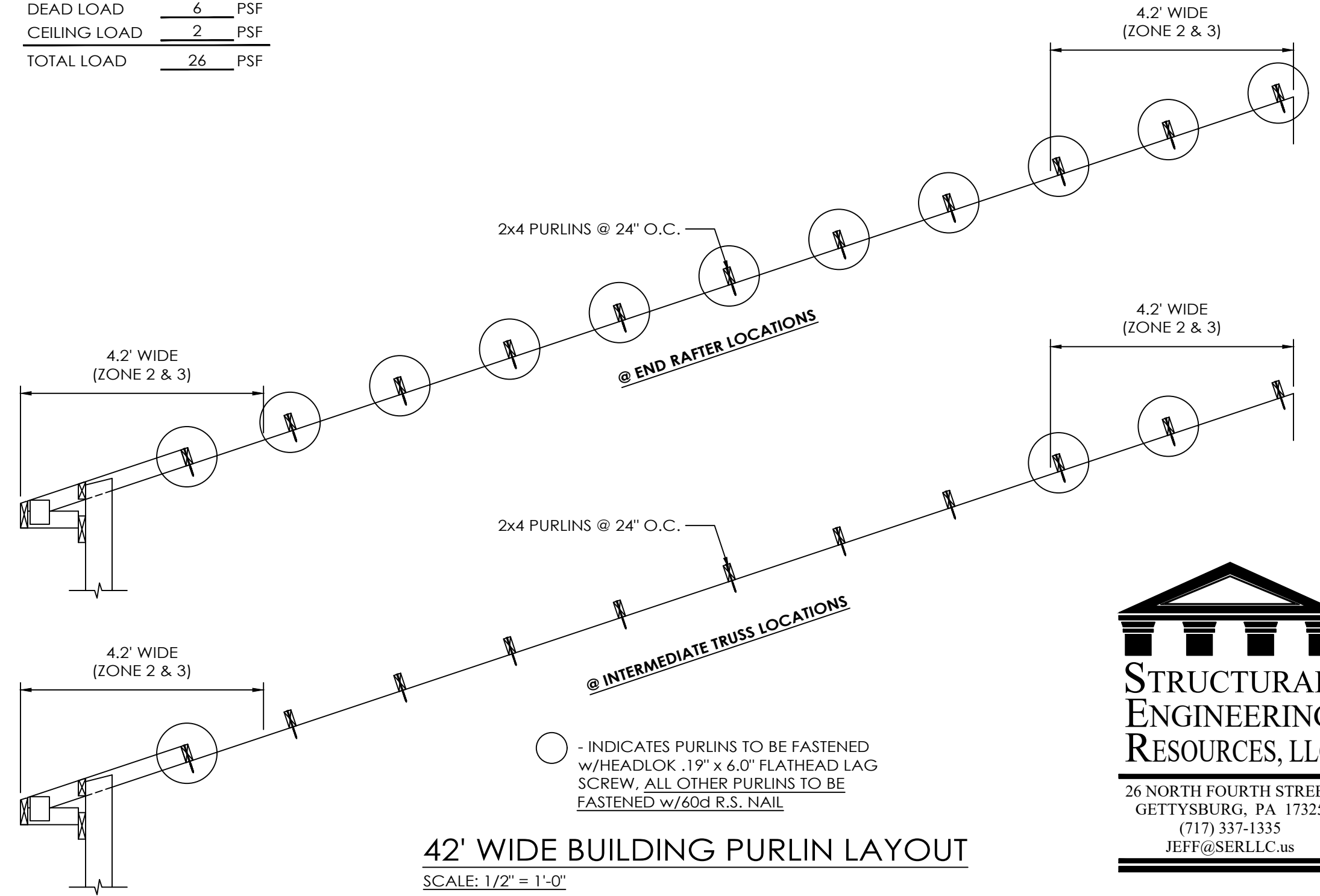


2x4 BUTTED PURLIN DETAIL
(PURLIN CONNECTED WITH 6" HEADLOK FLATHEAD LAG SCREW)
SCALE: 1 1/2" = 1'-0"



CUSTOM 12' PORCH END FRAME
SCALE: 1/2" = 1'-0"

LIVE LOAD	18	PSF
DEAD LOAD	6	PSF
CEILING LOAD	2	PSF
TOTAL LOAD	26	PSF

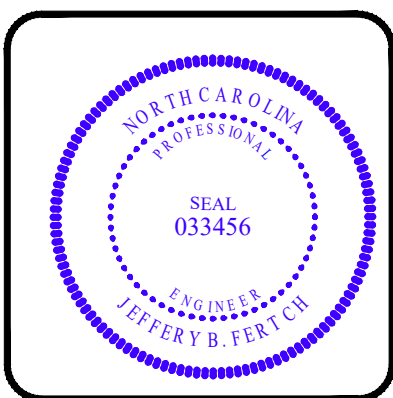


42' WIDE BUILDING PURLIN LAYOUT
SCALE: 1/2" = 1'-0"

STRUCTURAL ENGINEERING RESOURCES, LLC
26 NORTH FOURTH STREET
GETTYSBURG, PA 17325
(717) 337-1335
JEFF@SERLLC.us

AGRI-FINANCIAL SERVICES
ANGIER, NC

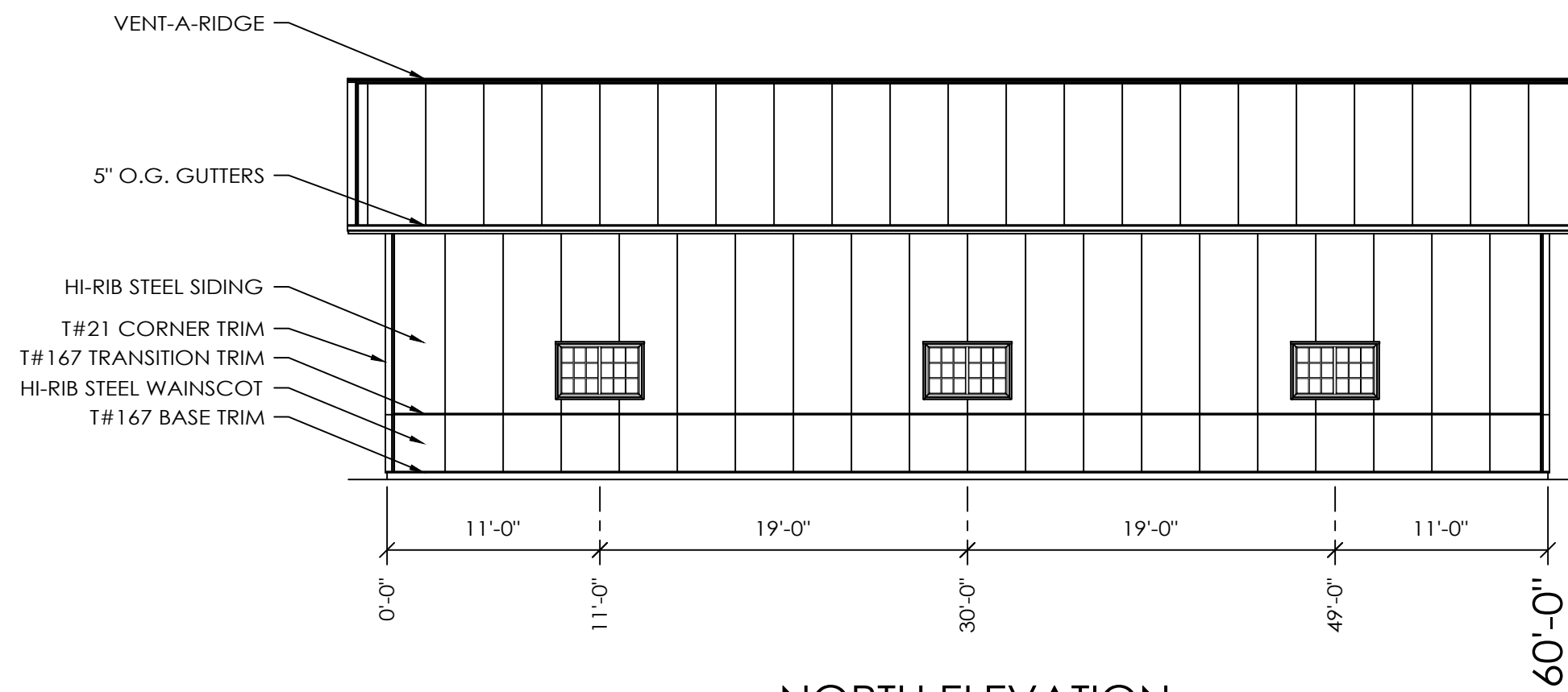
DRAWN BY:	DSM
DATE:	12/10/2019
CHECKED BY:	----
DATE:	----
REVISED DATE:	4/30/2020
REVISED DATE:	----
REVISED DATE:	----
REVISED DATE:	----



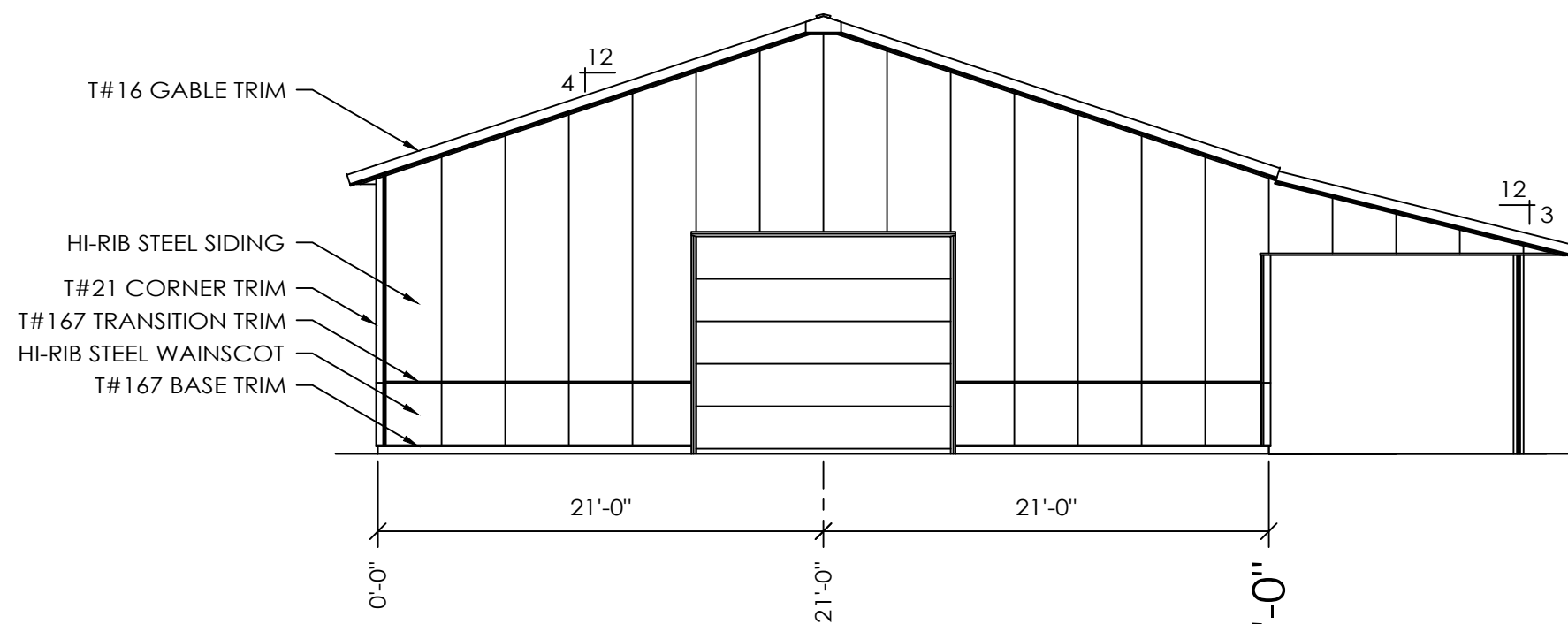
DESIGN AND EXPLANATORY NOTES

1.) EXTERIOR DOOR AND WINDOW LOCATIONS ARE TAKEN FROM THE EXTERIOR FACE OF THE NAILERS AND ARE TO THE CENTER OF THE DOOR AND WINDOW UNITS. VERIFY ALL DOOR AND WINDOW LOCATIONS WITH THE OWNER.

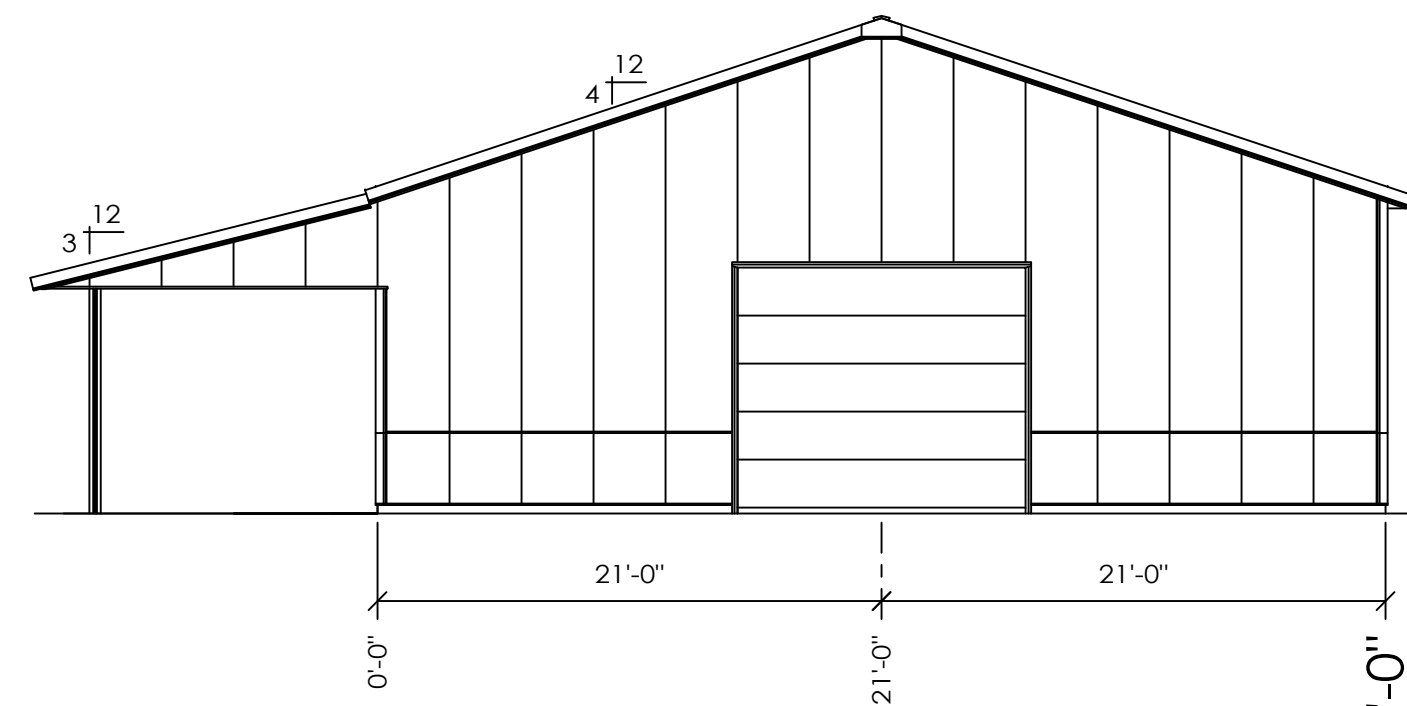
OFFICE: WILSON, NC
 JOB NO. 137-094576



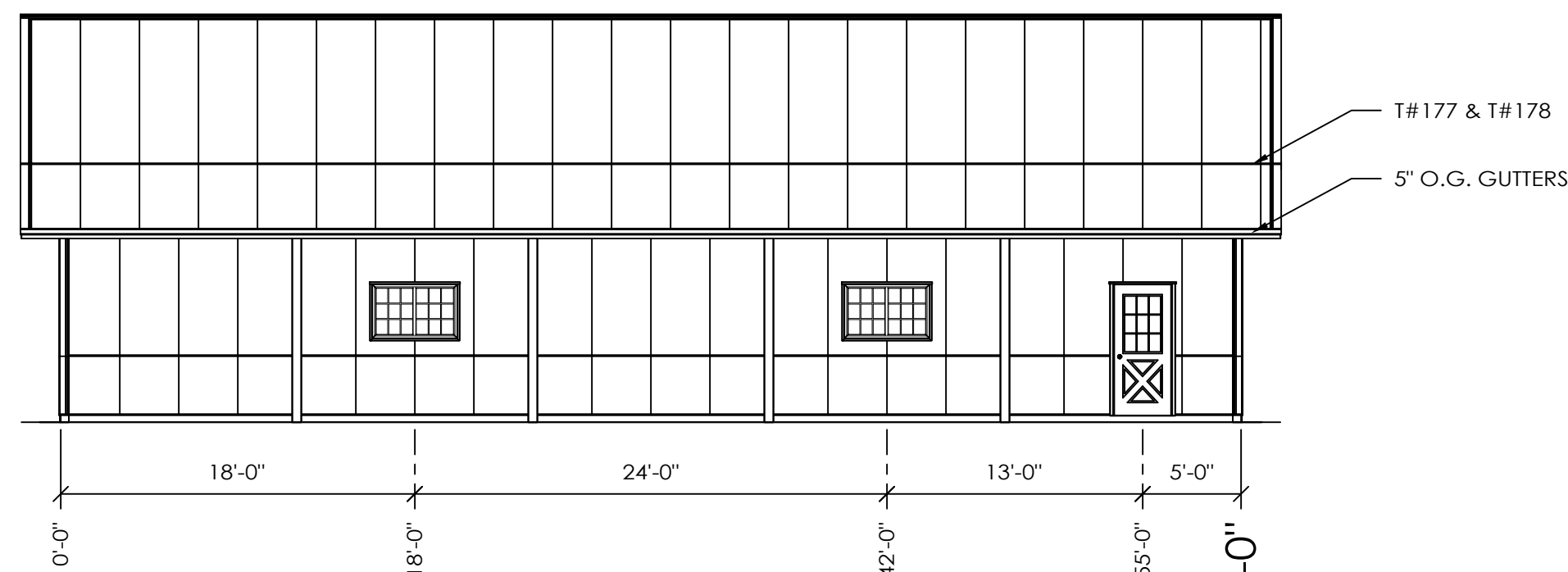
NORTH ELEVATION



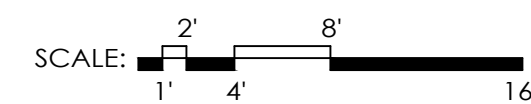
WEST ELEVATION



EAST ELEVATION



SOUTH ELEVATION



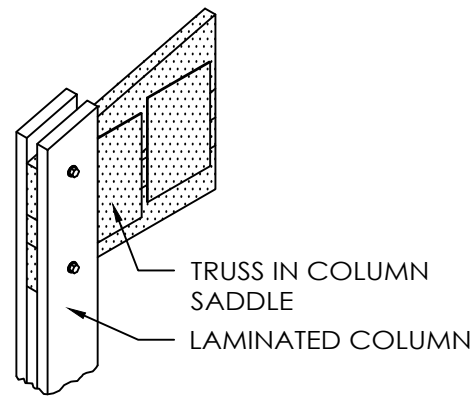
AGRI-FINANCIAL SERVICES
 ANGLIER, NC

DRAWN BY:	DSM
DATE:	12/10/2019
CHECKED BY:	----
DATE:	----
REVISED DATE:	4/30/2020
REVISED DATE:	----
REVISED DATE:	----
REVISED DATE:	----

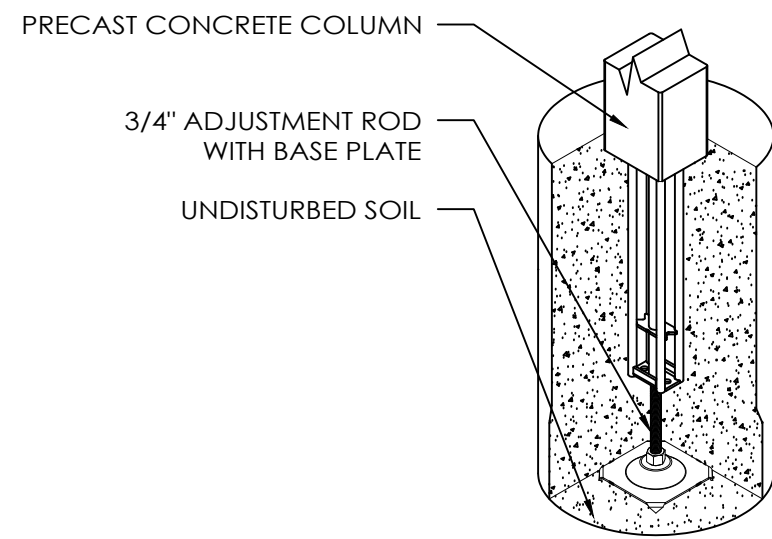
STRUCTURAL ENGINEERING RESOURCES, LLC
 26 NORTH FOURTH STREET
 GETTYSBURG, PA 17325
 (717) 337-1335
 JEFF@SERLLC.us



SCALE: AS NOTED
 SHEET NO. S4.1 OF S8



TRUSS SADDLE ISOMETRIC



LOWER COLUMN ISOMETRIC

LOWER COLUMN INSTALLATION

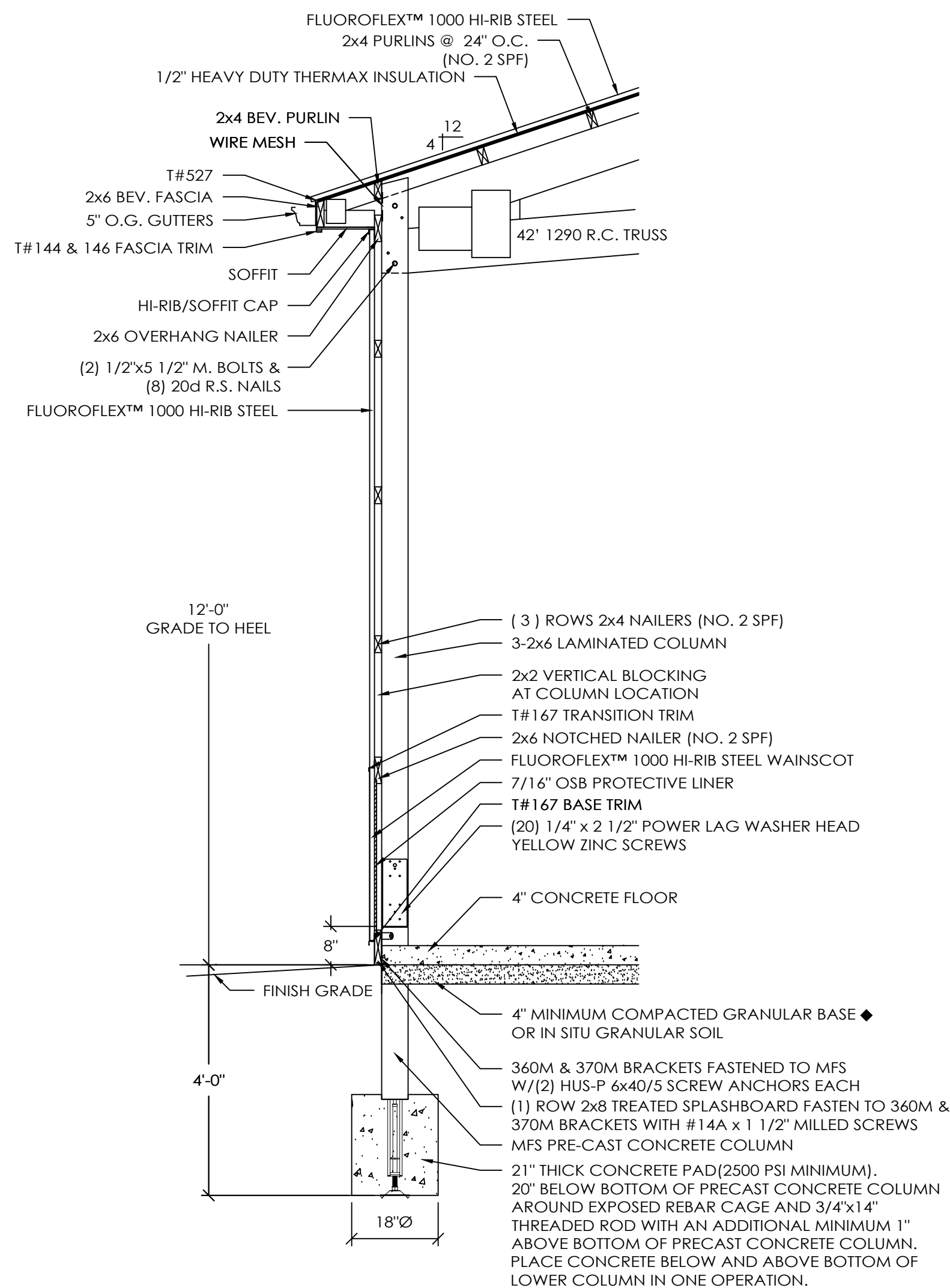
1. INSTALL PRECAST CONCRETE COLUMN W/ADJUSTMENT ROD & BASE PLATE IN THE AUGERED HOLE.
2. PLUMB PRECAST CONCRETE COLUMN IN BOTH DIRECTIONS
3. ADJUST HEIGHT UP OR DOWN WITH ADJUSTMENT HEX ROD
4. POUR READI-MIX CONCRETE INTO THE HOLE AS SPECIFIED.
5. BACKFILL AND COMPACT THE ANNULAR SPACE AROUND THE COLUMN TO GRADE WITH SOIL AUGERED FROM THE SITE.

DESIGN AND EXPLANATORY NOTES

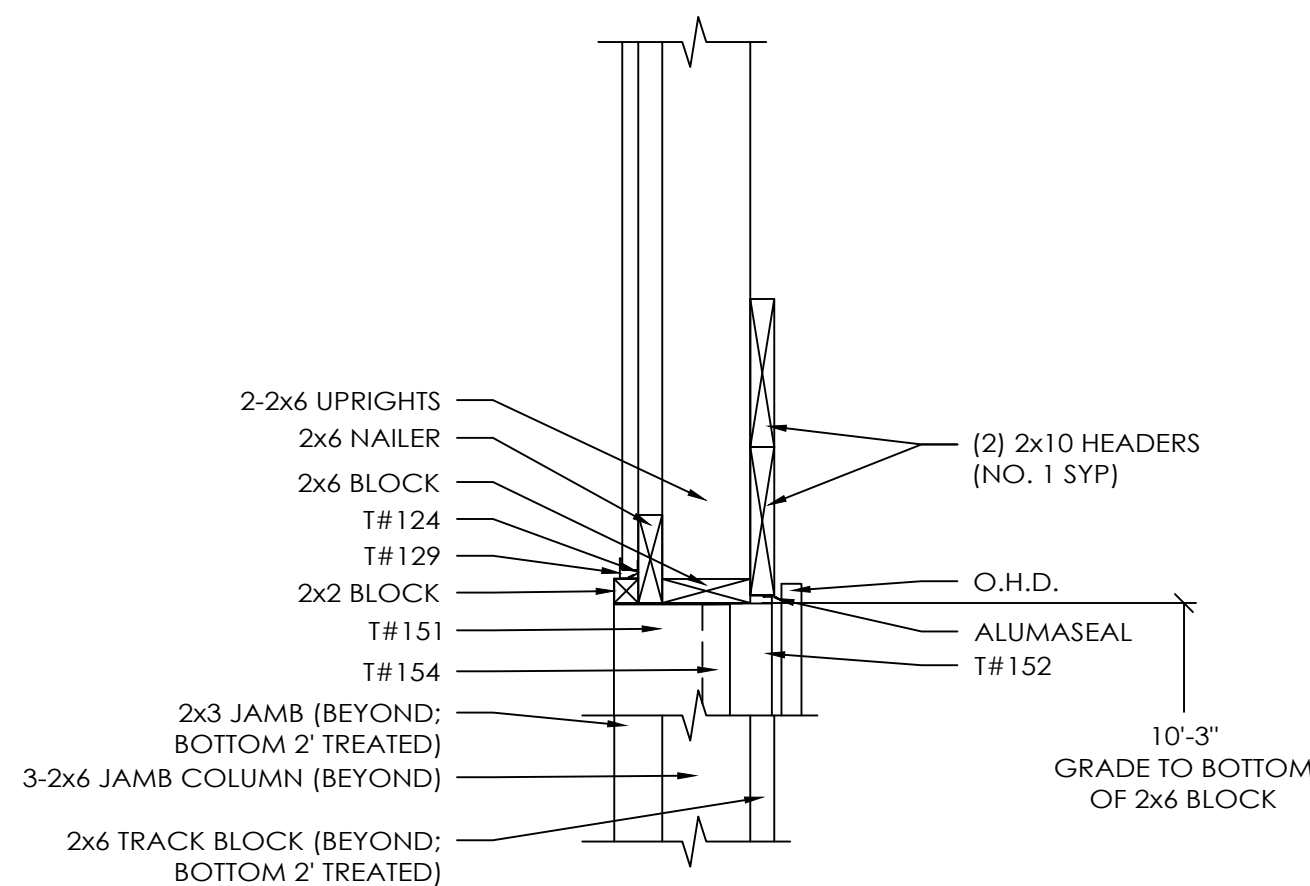
1. FOOTINGS ARE DESIGNED FOR A 2000 PSF SOIL BEARING CAPACITY. LOCAL CONDITIONS MAY REQUIRE MODIFICATIONS.
2. CONCRETE FLOOR NOTES:
 - a. 3500 PSI, 5 1/2 BAG MIX CONCRETE.
 - b. SLOPE GRADE AWAY FROM BUILDING @ 1" PER FOOT FOR A MINIMUM DISTANCE OF 10' PLUS OVERHANG WIDTH.
 - c. A VAPOR RETARDER IS NOT MANDATED PER IBC SECTION 1907 EXCEPTION 3. UNLESS THE FLOOR WILL BE COVERED BY MOISTURE SENSITIVE FLOORING MATERIALS OR IMPERMEABLE FLOOR COATINGS OR WHERE THE FLOOR WILL BE IN CONTACT WITH ANY MOISTURE SENSITIVE EQUIPMENT OR PRODUCT.
 - d. CONTRACTION JOINTS UNIFORMLY SPACED 12' O.C. OR LESS.
3. PRIOR TO PLACING THE CONCRETE FOOTINGS, HAND TAMP THE BOTTOM 2"-3" OF LOOSE SOIL TO CONSOLIDATE. IF THE DRILLED HOLE CONTAINS MORE THAN 3" OF LOOSE SOIL, REMOVE EXCESS SOIL TO A UNIFORM THICKNESS OF 2"-3", HAND TAMP AND PROCEED WITH CONCRETE FOOTING PLACEMENT.
4. DO NOT PLACE CONCRETE FOOTING THROUGH MORE THAN 3" OF STANDING WATER. IF MORE THAN 3" OF STANDING WATER IS PRESENT IN THE FOOTING HOLE CONTACT THE STRUCTURAL ENGINEER OF RECORD FOR INSTALLATION INSTRUCTIONS.

OFFICE: WILSON, NC
JOB NO. 137-094576

AGRI-FINANCIAL SERVICES
ANGIER, NC



SIDEWALL SECTION A
SCALE: 1/2" = 1'-0"



OHD HEADER SECTION B
SCALE: 1" = 1'-0"

HEADER NAILING SCHEDULE

HEADER MEMBER	UPRIGHT	JAMB COLUMN
EA. 2x10	6	6

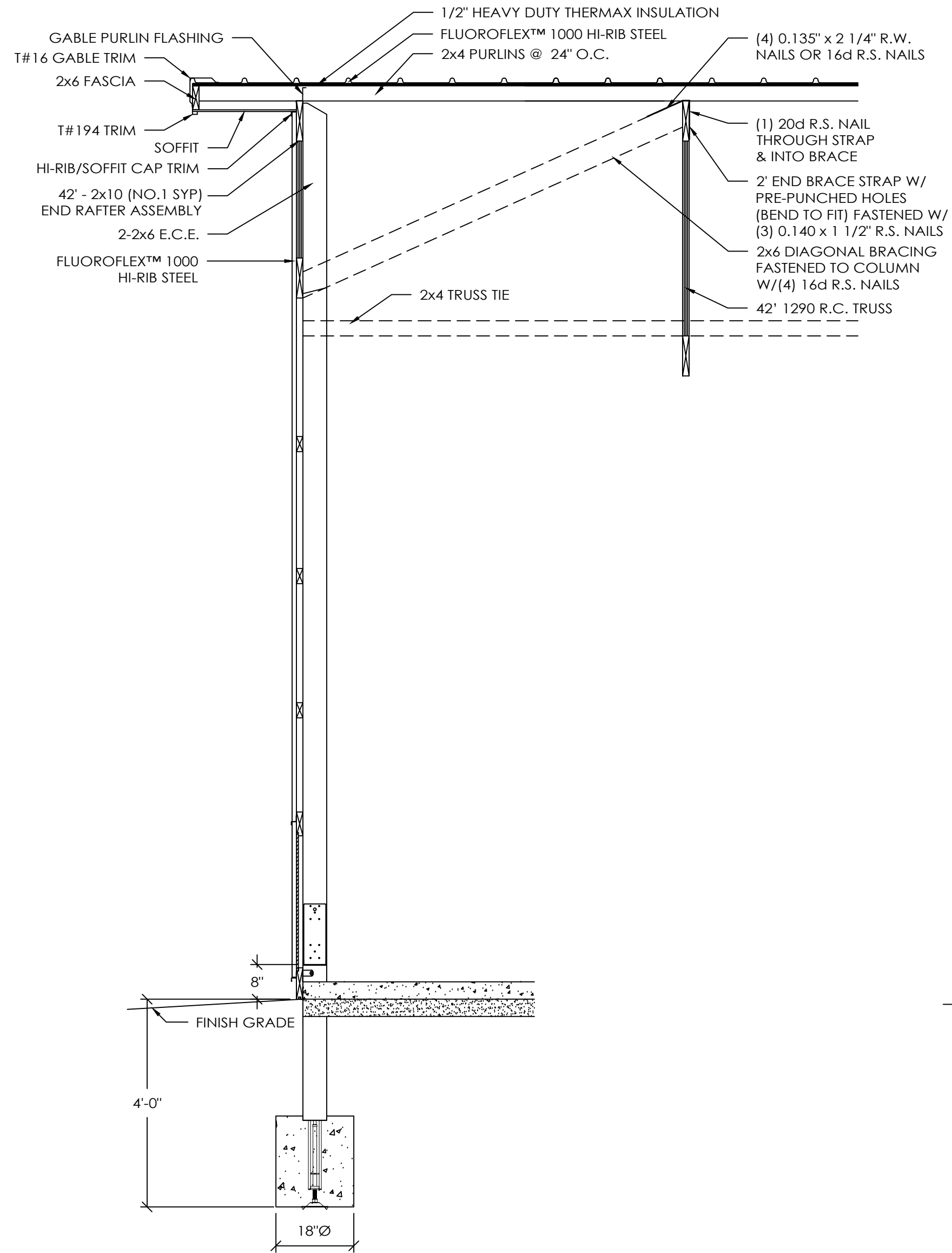
- NOTES:
1. NUMBERS ABOVE ARE 20d R.S. NAILS REQUIRED PER CONNECTION.
 2. PRE-DRILL HEADERS AS REQUIRED TO PREVENT SPLITTING.
 3. IF NUMBER OF NAILS REQUIRED FOR HEADER TO JAMB COLUMN CONNECTION IS EXCESSIVE TO CAUSE SPLITTING, THE EXCESS NAILS MAY BE INSTALLED IN HEADER SUPPORT BLOCKING.

STRUCTURAL ENGINEERING RESOURCES, LLC
26 NORTH FOURTH STREET
GETTYSBURG, PA 17325
(717) 337-1335
JEFF@SERLLC.us

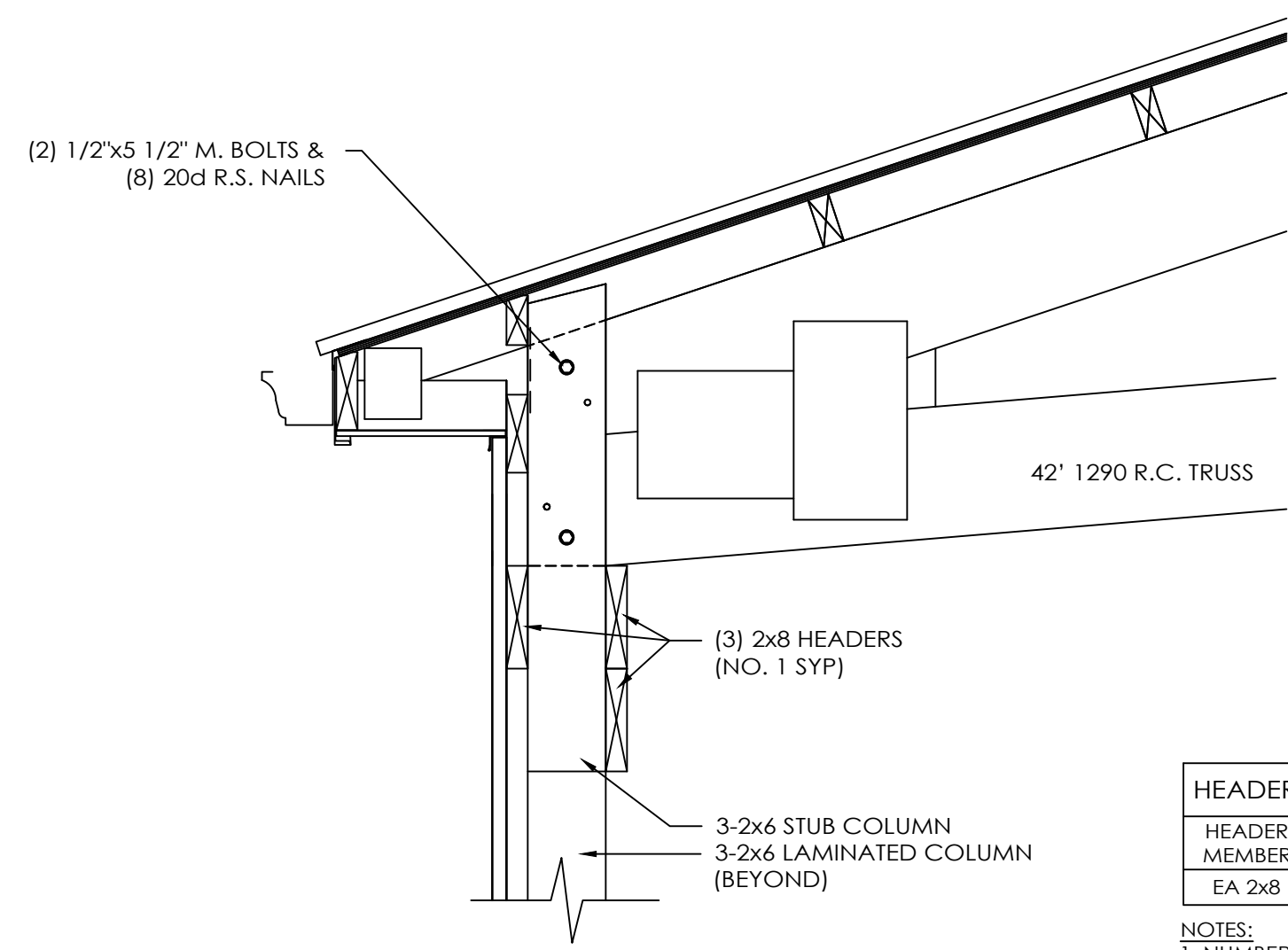
DRAWN BY: DSM
DATE: 12/10/2019
CHECKED BY: ---
DATE: ---
REVISED DATE: 4/30/2020
REVISED DATE: ---
REVISED DATE: ---
REVISED DATE: ---



SCALE: AS NOTED
SHEET NO. S5 OF S8



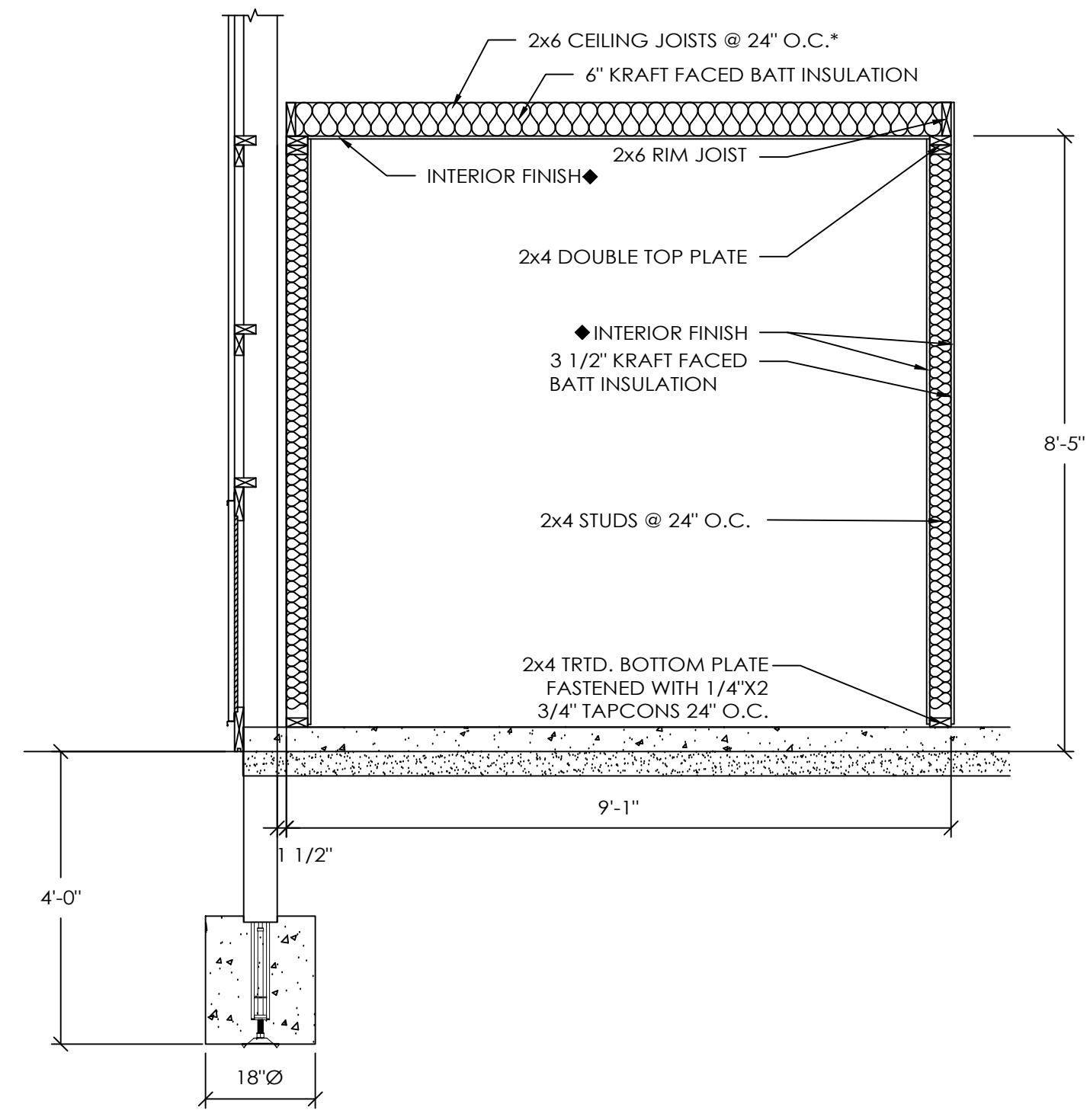
ENDWALL SECTION C
SCALE: 1/2" = 1'-0"



HEADER SECTION D
SCALE: 1" = 1'-0"

HEADER NAILING SCHEDULE		
HEADER MEMBER	STUB COLUMN	JAMB COLUMN
EA 2x8	4	4

NOTES:
1. NUMBERS ABOVE ARE 20d R.S. NAILS REQUIRED PER CONNECTION.
2. PRE-DRILL HEADERS AS REQUIRED TO PREVENT SPLITTING.
3. IF NUMBER OF NAILS REQUIRED FOR HEADER TO JAMB COLUMN CONNECTION IS EXCESSIVE TO CAUSE SPLITTING, THE EXCESS NAILS MAY BE INSTALLED IN HEADER SUPPORT BLOCKING.



RESTROOM SECTION E
SCALE: 1/2" = 1'-0"

*NOTE:
CEILING JOISTS ARE
NON-STRUCTURAL

**STRUCTURAL
ENGINEERING
RESOURCES, LLC**
26 NORTH FOURTH STREET
GETTYSBURG, PA 17325
(717) 337-1335
JEFF@SERLLC.us

AGRI-FINANCIAL SERVICES
ANGIER, NC

DRAWN BY:	DSM
DATE:	12/10/2019
CHECKED BY:	----
DATE:	----
REVISED DATE:	4/30/2020
REVISED DATE:	----
REVISED DATE:	----
REVISED DATE:	----

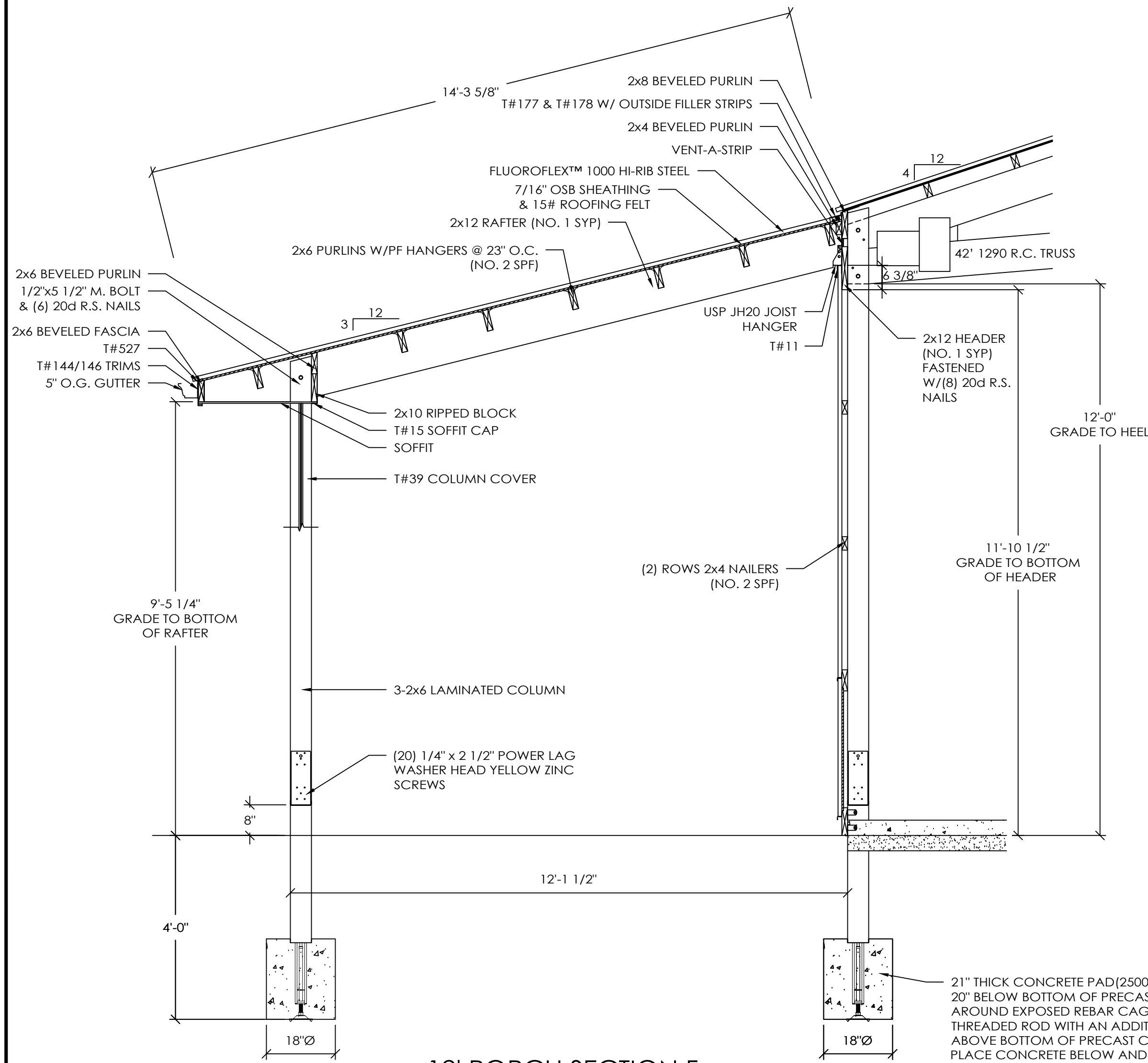


MORTON BUILDINGS
CONSTRUCTION DETAILS
CASE 2 PORCH/LEAN-TO CONNECTION

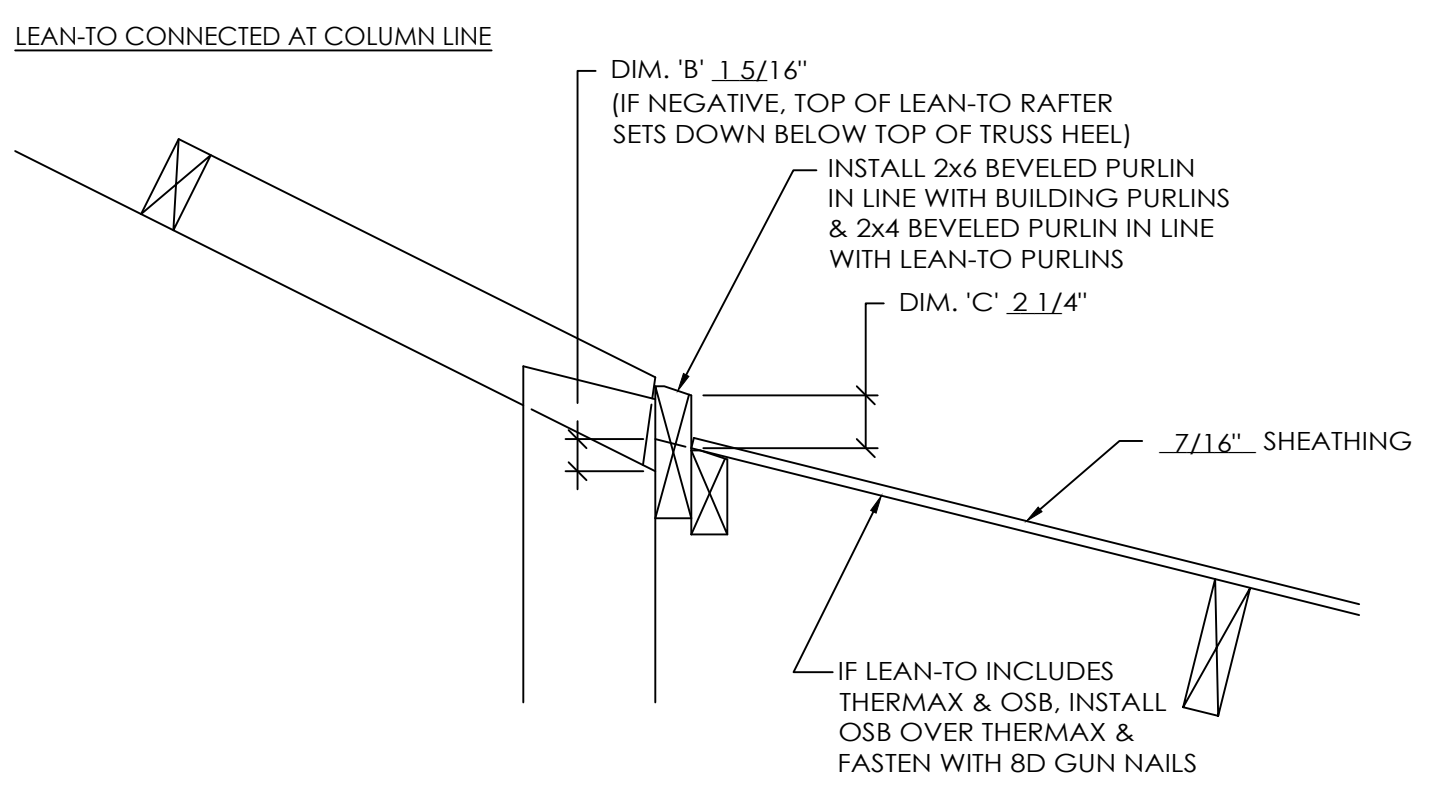
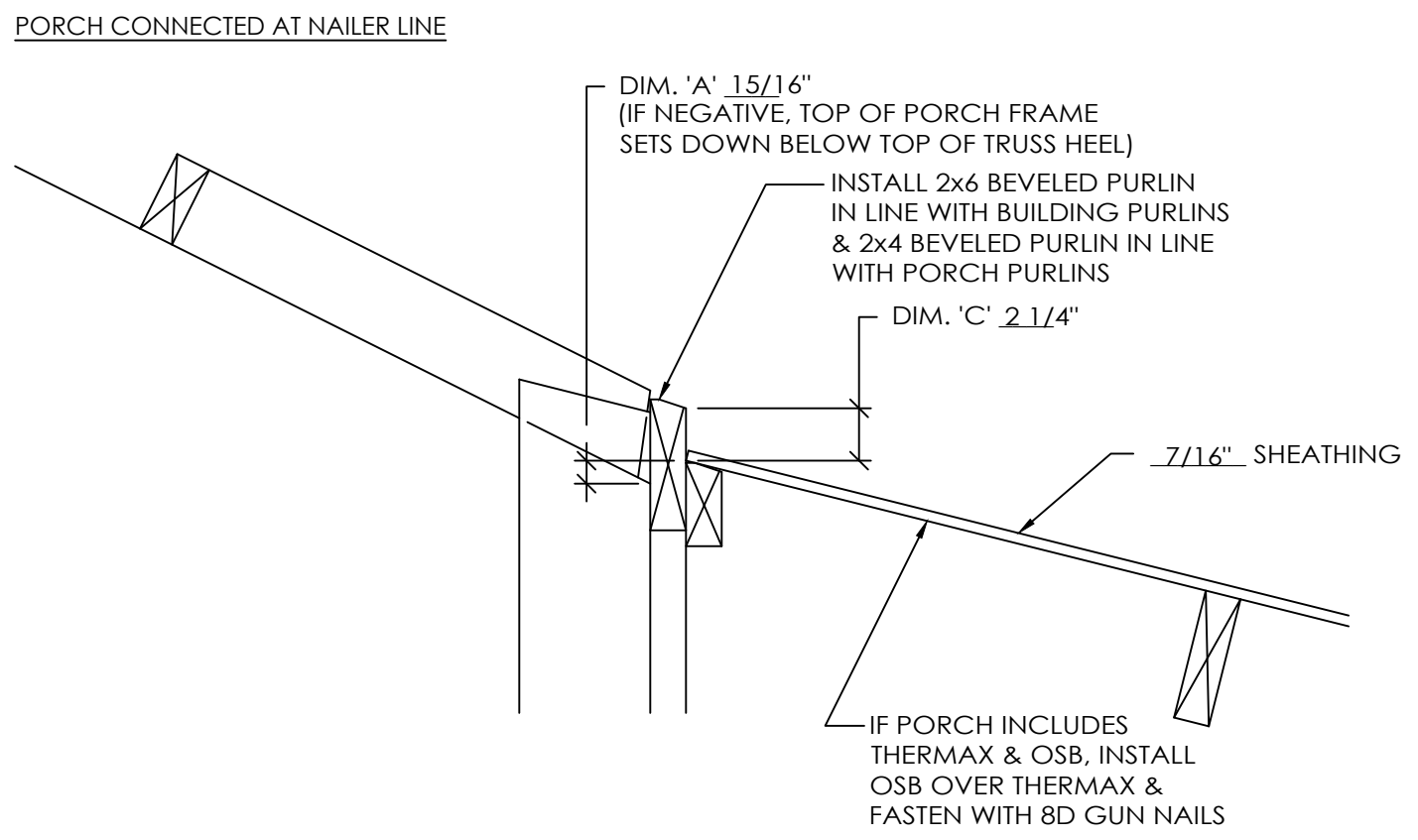
(4 /12 BUILDING (2x4 PURLINS) TO A 3 /12 PORCH/LEAN-TO (2x6 PURLINS))

OFFICE:
WILSON, NC
JOB NO.
137-094576

AGRI-FINANCIAL SERVICES
ANGIER, NC



12' PORCH SECTION F
SCALE: 1/2" = 1'-0"



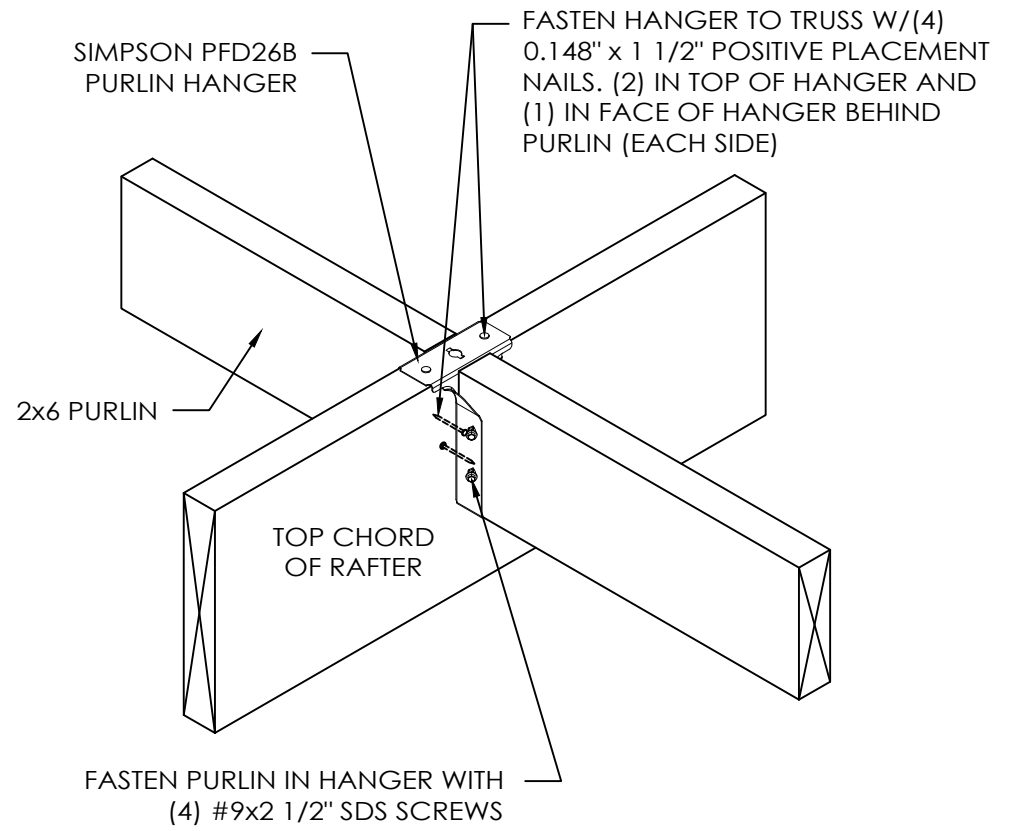
21" THICK CONCRETE PAD (2500 PSI MINIMUM).
20" BELOW BOTTOM OF PRECAST CONCRETE COLUMN
AROUND EXPOSED REBAR CAGE AND 3/4"x14"
THREADED ROD WITH AN ADDITIONAL MINIMUM 1"
ABOVE BOTTOM OF PRECAST CONCRETE COLUMN.
PLACE CONCRETE BELOW AND ABOVE BOTTOM OF
LOWER COLUMN IN ONE OPERATION.

**STRUCTURAL
ENGINEERING
RESOURCES, LLC**
26 NORTH FOURTH STREET
GETTYSBURG, PA 17325
(717) 337-1335
JEFF@SERLLC.us

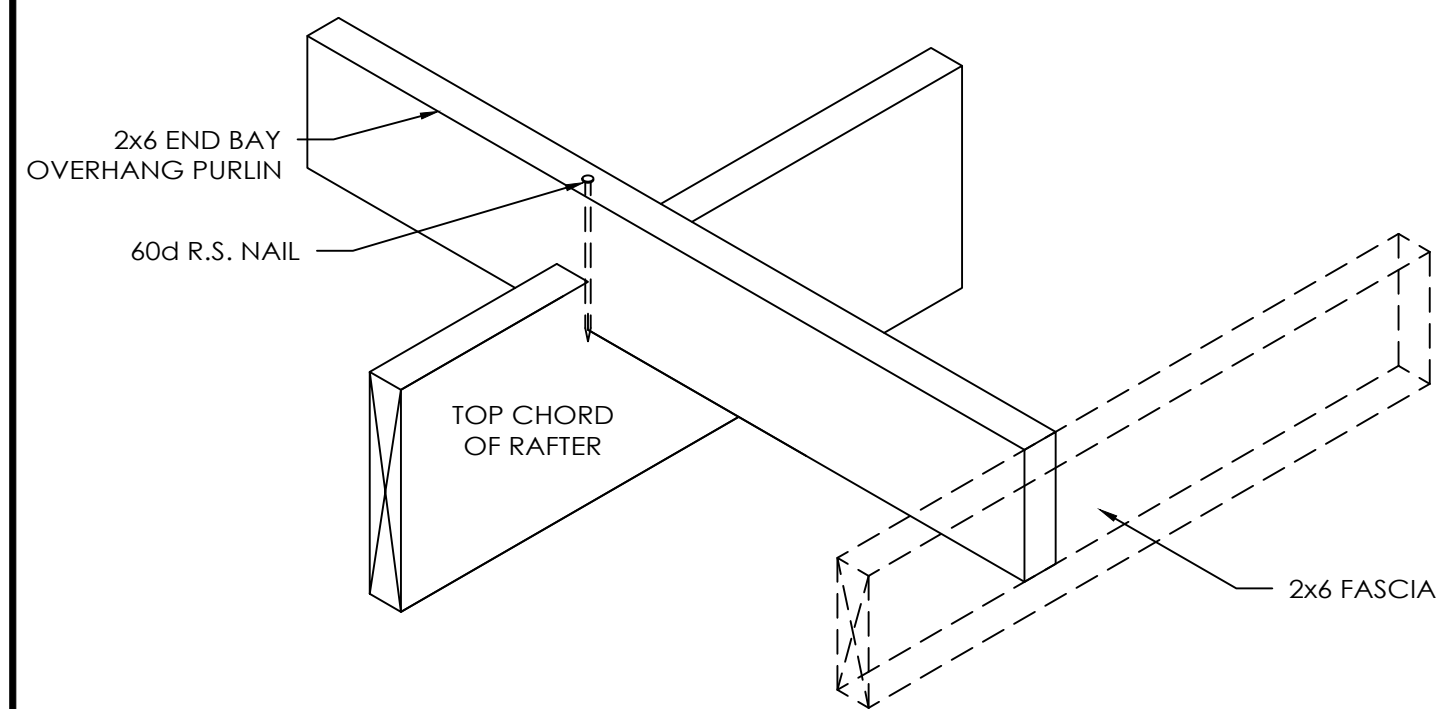
DRAWN BY:	DSM
DATE:	12/10/2019
CHECKED BY:	----
DATE:	----
REVISED DATE:	4/30/2020
REVISED DATE:	----
REVISED DATE:	----
REVISED DATE:	----



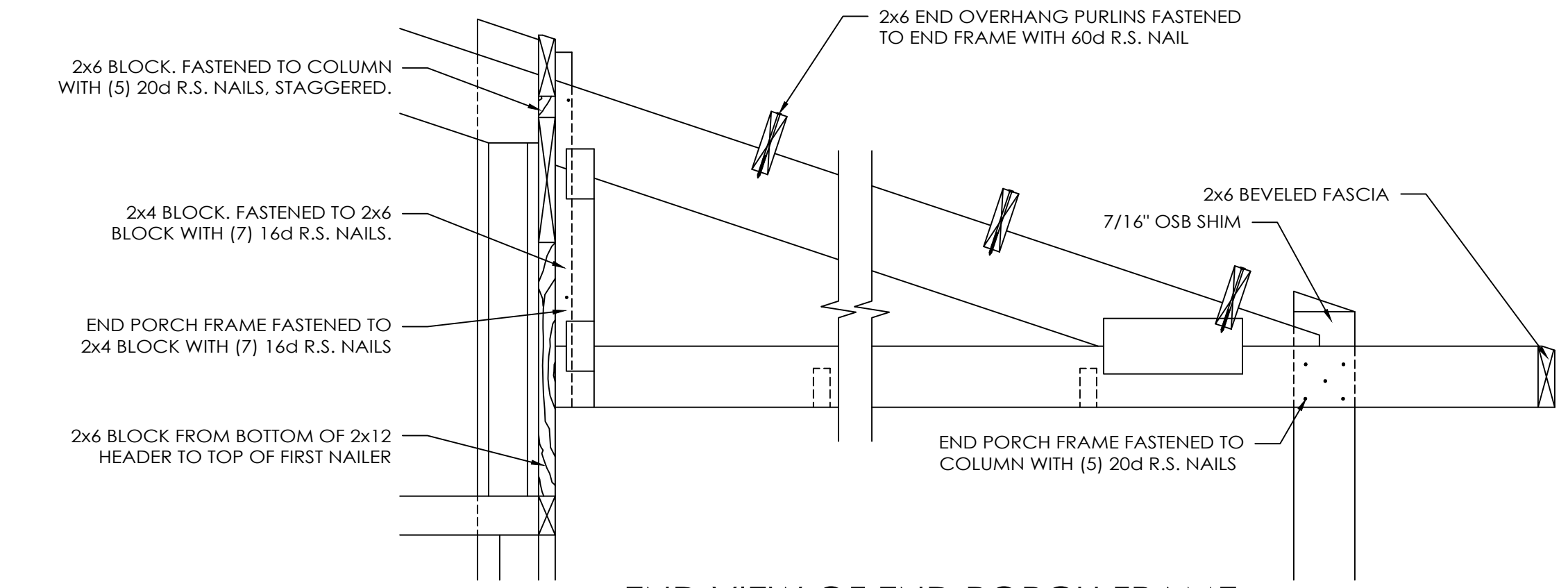
SCALE: AS NOTED
SHEET NO.
S7.1 OF S8



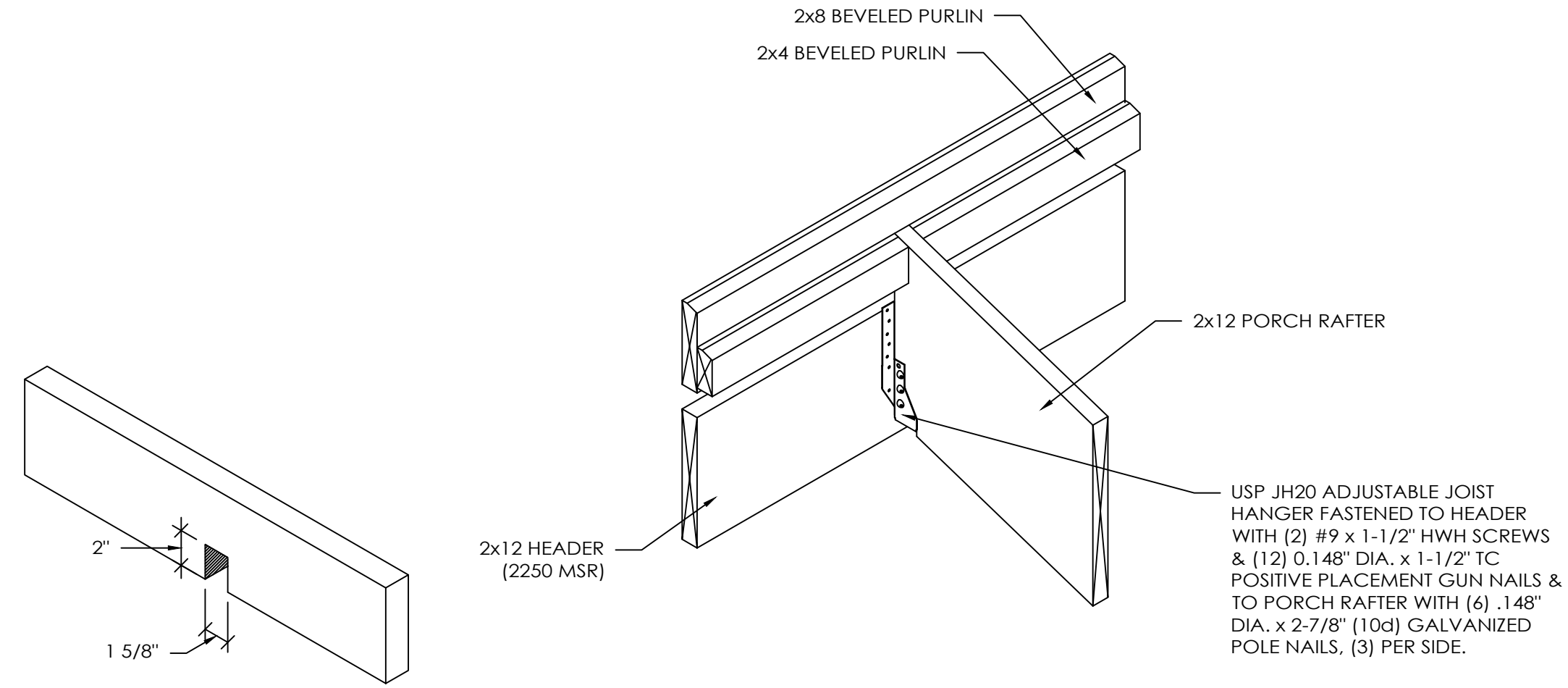
PURLIN SADDLE HANGER DETAIL
SCALE: 1 1/2" = 1'-0"



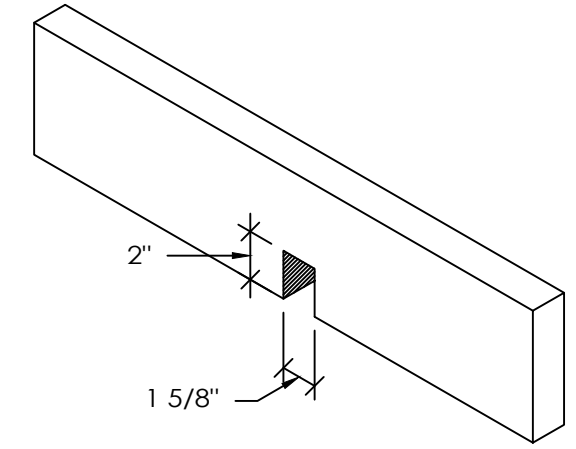
2x6 END OVERHANG DETAIL
(PURLIN CONNECTED WITH 60d R.S. NAIL)
SCALE: 1 1/2" = 1'-0"
NOTE:
2'-0" END OVERHANG SHOWN



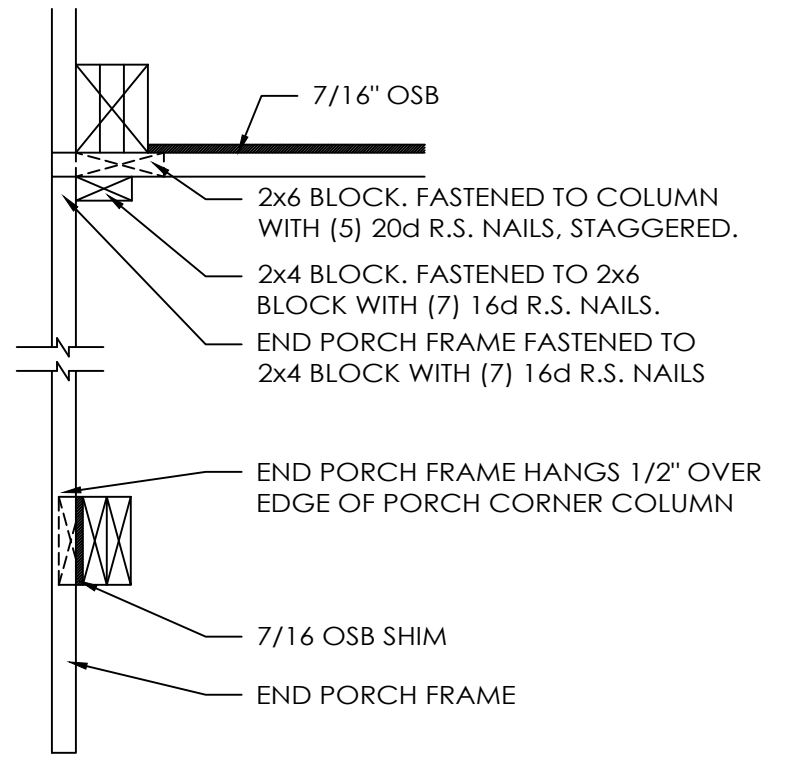
END VIEW OF END PORCH FRAME



PORCH RAFTER ATTACHED BETWEEN COLUMNS



2x6 END BAY PURLIN NOTCH DETAIL



PORCH ENDS AT CORNER COLUMN

DRAWN BY:	DSM
DATE:	12/10/2019
CHECKED BY:	----
DATE:	----
REVISED DATE:	4/30/2020
REVISED DATE:	----
REVISED DATE:	----
REVISED DATE:	----

STRUCTURAL ENGINEERING RESOURCES, LLC
26 NORTH FOURTH STREET
GETTYSBURG, PA 17325
(717) 337-1335
JEFF@SERLLC.us

