

Fig. 3.15
Method For Garage Tie-Down

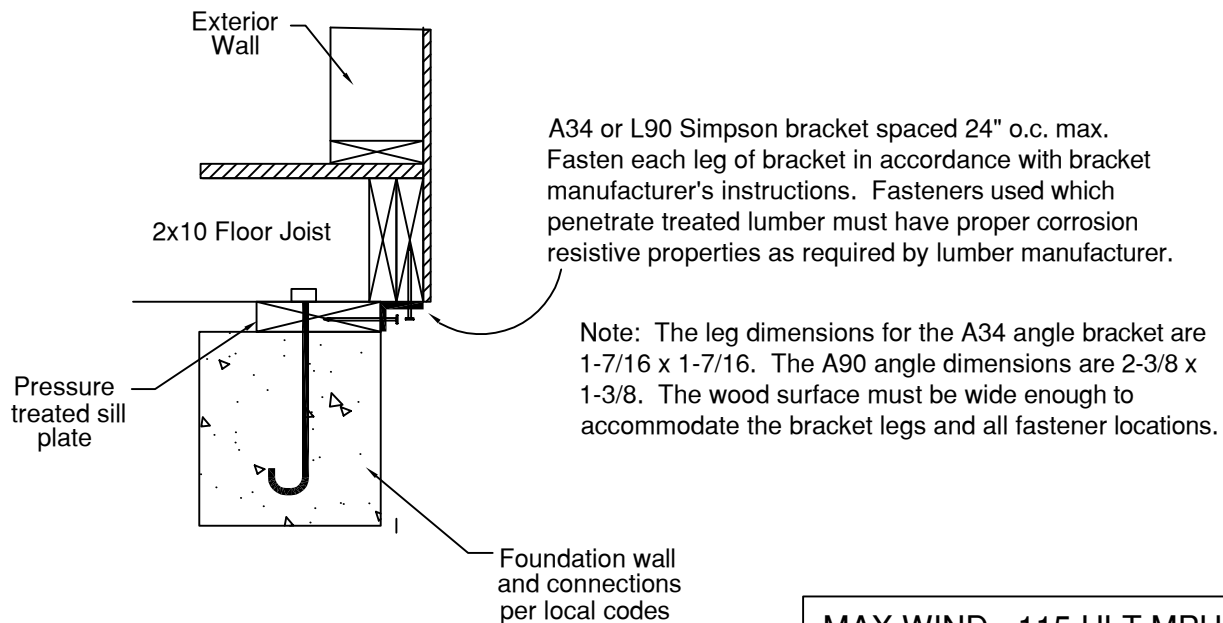


Fig. 3.16
Alt. Perimeter Fastening
W/ Minimal Floor Overhang

MAX WIND - 115 ULT MPH Exp. C