

30' Wide Enclosed
As Provided By
**METAL BUILDING
EXPERTS**

365 Hiatt Rd.
Mt. Airy, NC 27030

ACE Solutions, Inc.

Bus. Lic. # C-3421
Kevin R. Adams, P.E.
Phone: 336-993-5114
950 Graves Street, Suite C
Kernersville, NC 27284

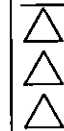
Project:
Ernest Syrest
4905 McDougald Rd.
Lillington, NC 27546

Date:
8/23/19

Scale:
As Noted

Drawn By:
MPH

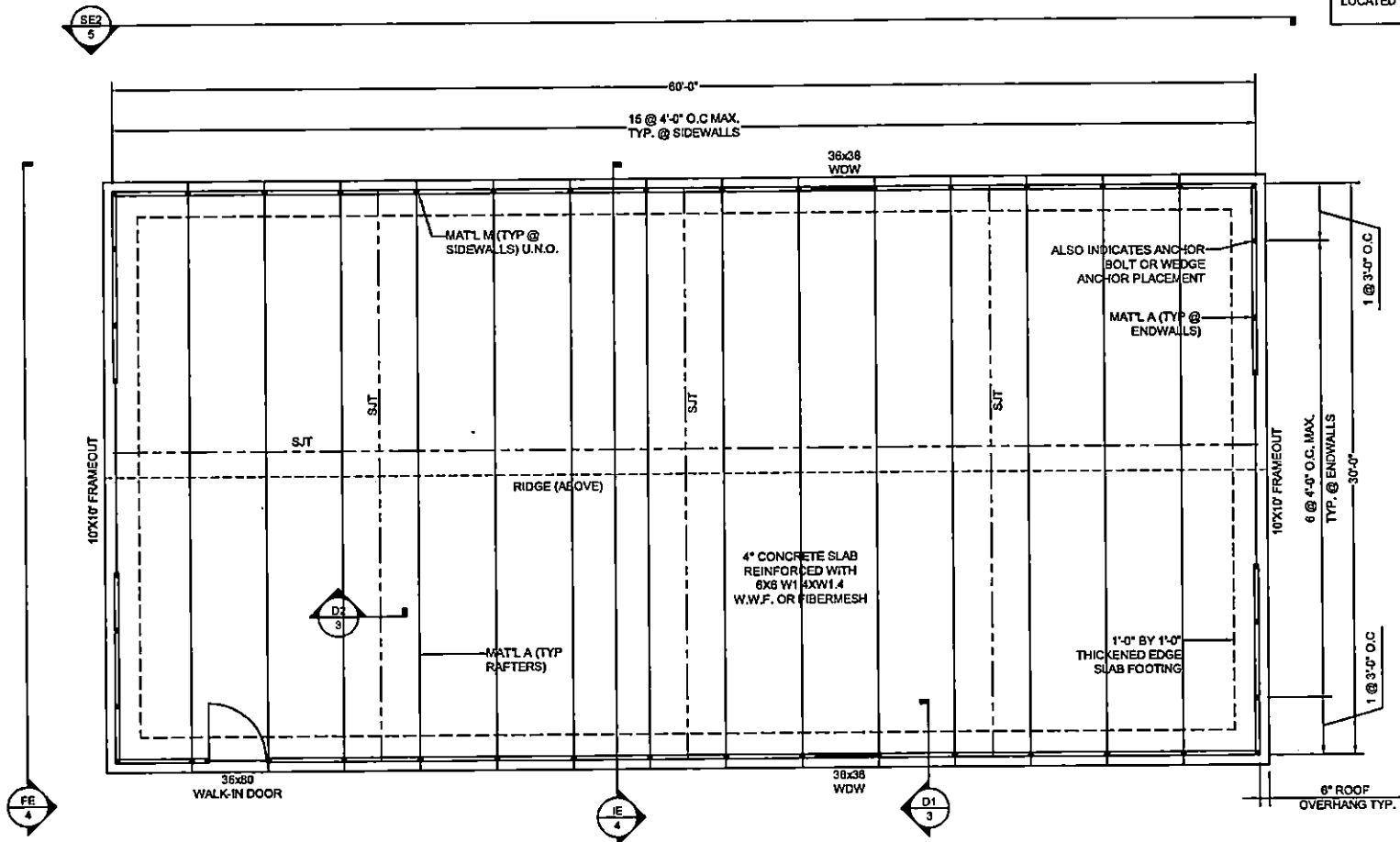
Checked By:
KRA



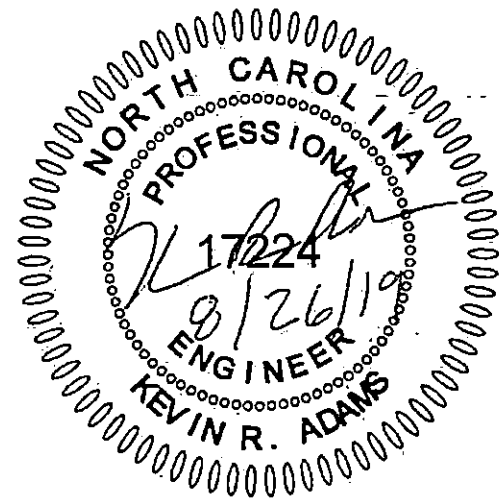
Sheet Title:
Plan

Sheet No.:
1 of 5

NOTE:
ALL GARAGE & WALK DOORS PER
OWNER CONTRACTOR & FIELD
LOCATED



FP FLOOR/FOUNDATION PLAN
1 NO SCALE



GENERAL NOTES

1. The 28-day compressive strength of all concrete work is 2,500 psi
2. Minimum soil bearing shall be 2,000 psf
3. All construction shall be provided in accordance with the 2018 NC Residential Code, and all applicable local requirements.
4. Basic Wind Speed 3-second Gust = 105 MPH
5. Wind Factor = 0.6
6. Building Type II-B
7. Wind Exposure = B
8. All steel to be minimum of Grade 55.

Design Loadings
 Dead Load = 2 PSF
 Live Load = 12 PSF special scaffolding required during roof maintenance
 Wind Load Forces = 105 MPH
 Ground Snow Load = 15 PSF
 These plans are in compliance with the 2018 NC Residential Code (with ASCE 7-10 wind load)

Note on Roof Section
 29GA corrugated steel. (sheeting to be continuous over three or more supports)

CHART OF MATERIAL	
MARK	SIZE
A	2.5"SQ. X 14GA. TUBING
B	4X4X1/4" ANGLE MIN. A36 STEEL
C	2.25"SQ. X 14GA. TUBING
D	#12X3/4" SELF DRILLING TEK SCREW W/ NEOPRENE/ STEEL WASHER
E	12/14X7/8" TEK SCREW/LAP SCREW
F	14X1 1/4" TEK SCREW / LAP SCREW
G	29 GA METAL ROOF PANELS
H	20 GA. GALVANIZED TP15 TIE PLATE 1 13/16"X5" OR SIMPSON STRONG TIE A-21
J	2X2X3/16L 36KSI STEEL ANGLE
K	4X12 GA BAR
L	29 GA. METAL WALL PANELS
M	NESTED 2.5"SQ X 14GA TUBING

30' Wide Enclosed
 As Provided By
METAL BUILDING EXPERTS

365 Hiatt Rd.
 Mt. Airy, NC 27030

ACE Solutions, Inc.
 Bus. Lic. # C-3421
 Kevin R. Adams, P.E.
 Phone: 336-993-5114
 950 Graves Street, Suite C
 Kenersville, NC 27284

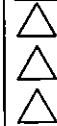
Project:
 Ernest Syrest
 4905 McDougald Rd.
 Lillington, NC 27546

Date:
 8/23/19

Scale:
 As Noted

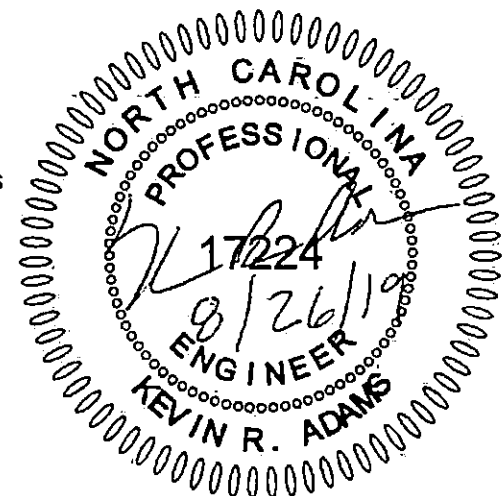
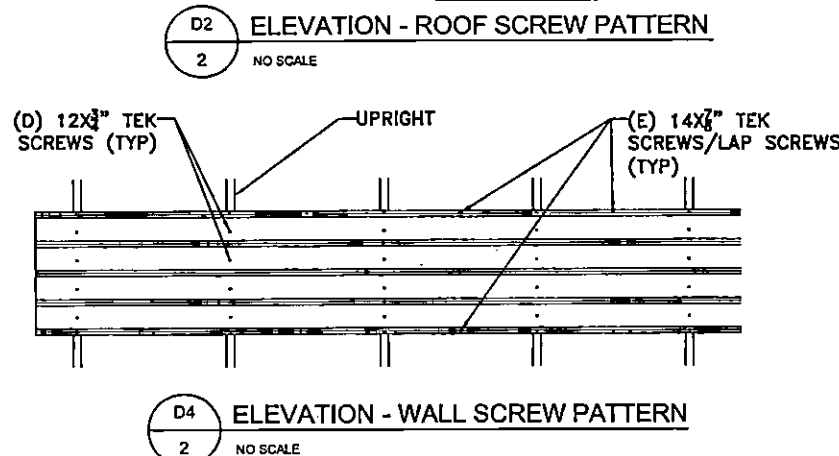
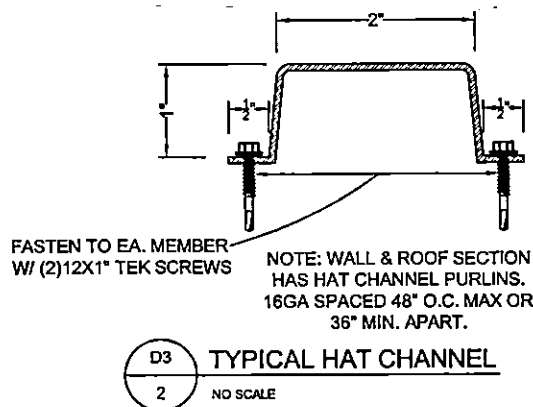
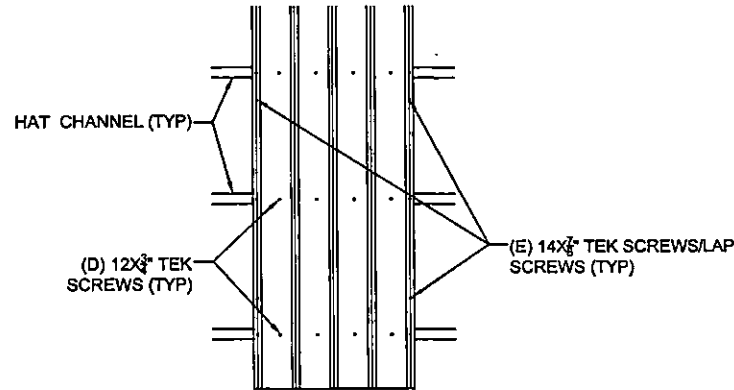
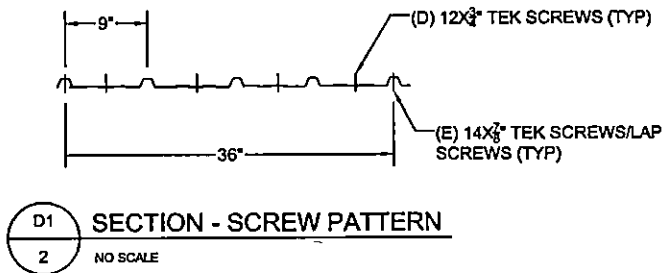
Drawn By:
 MPH

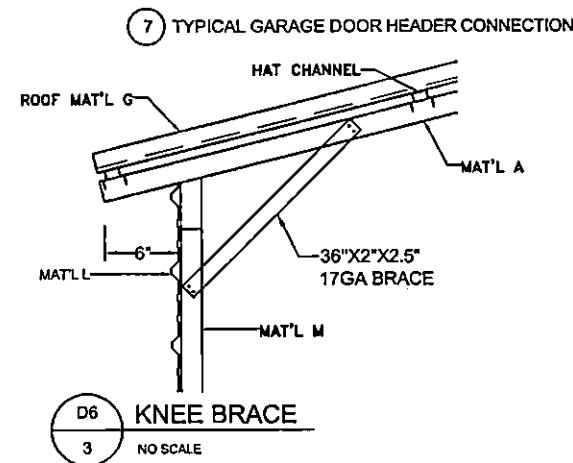
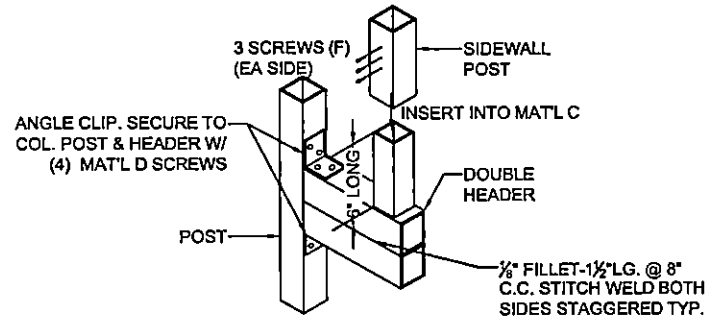
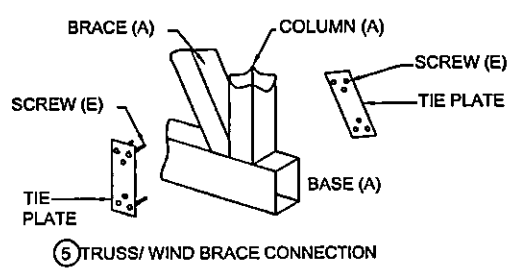
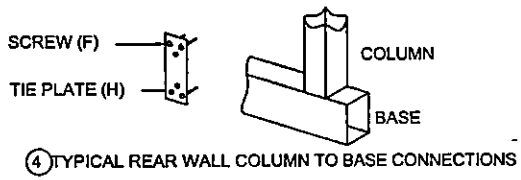
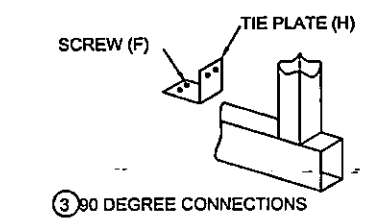
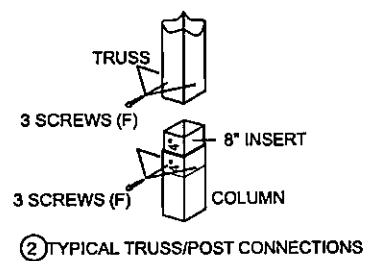
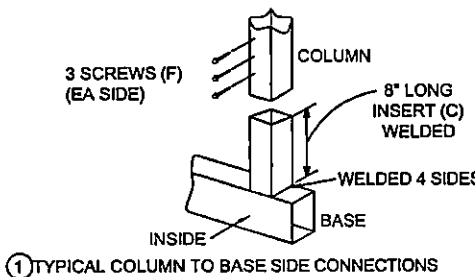
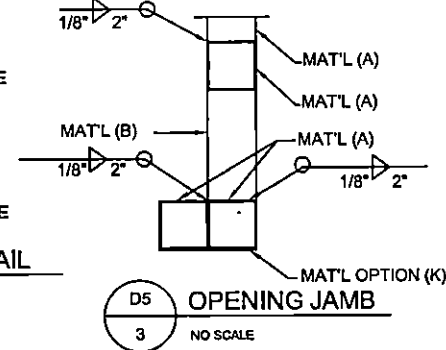
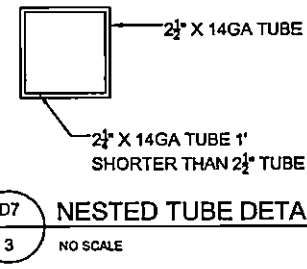
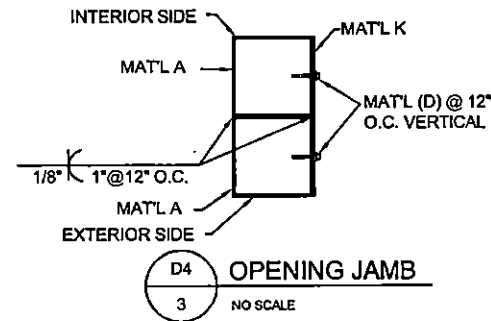
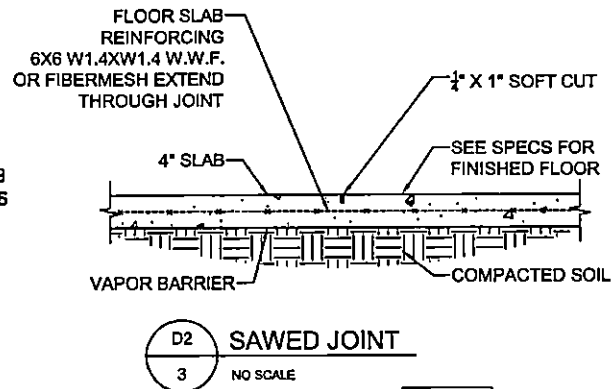
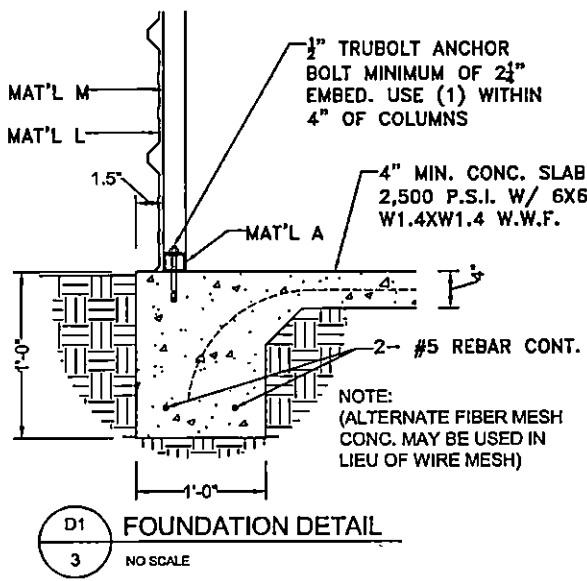
Checked By:
 KRA



Sheet Title:
 Notes and Details

Sheet No.:
 2 of 5





30' Wide Enclosed
As Provided By
METAL BUILDING EXPERTS
365 Hiatt Rd.
Mt. Airy, NC 27030

ACE Solutions, Inc.
Bus. Lic. # C-3421
Kevin R. Adams, P.E.
Phone: 336-993-5114
950 Graves Street, Suite C
Kernersville, NC 27284

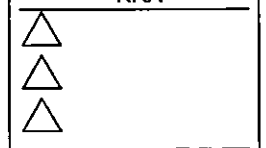
Project:
Ernest Syrest
4905 McDougald Rd.
Lillington, NC 27546

Date:
8/23/19

Scale:
As Noted

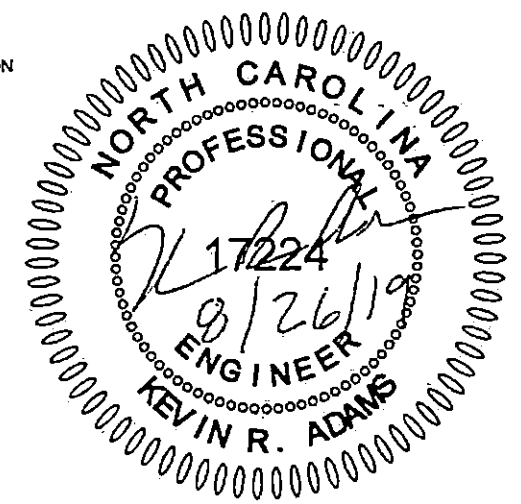
Drawn By:
MPH

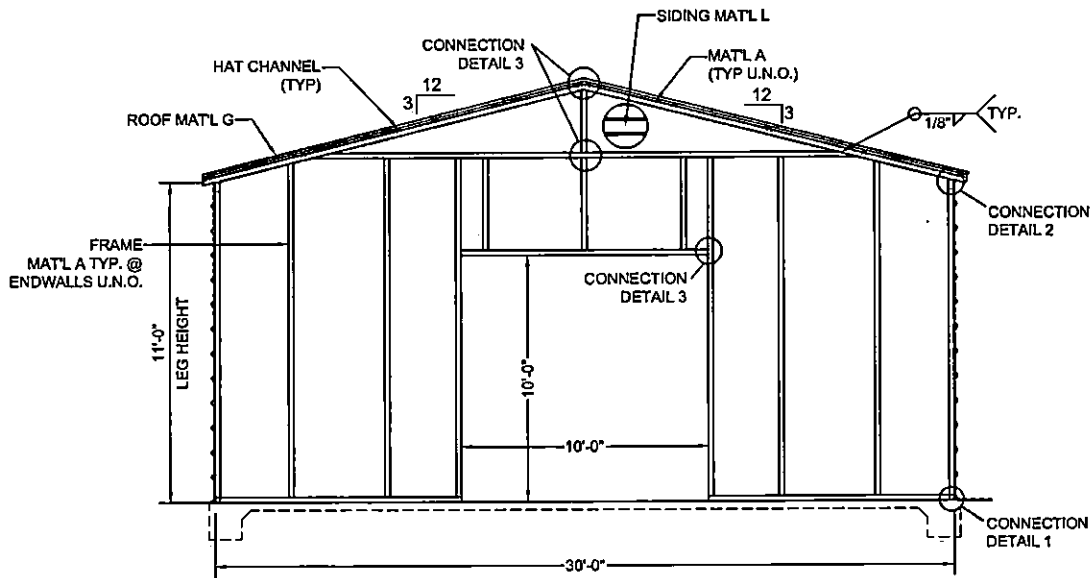
Checked By:
KRA



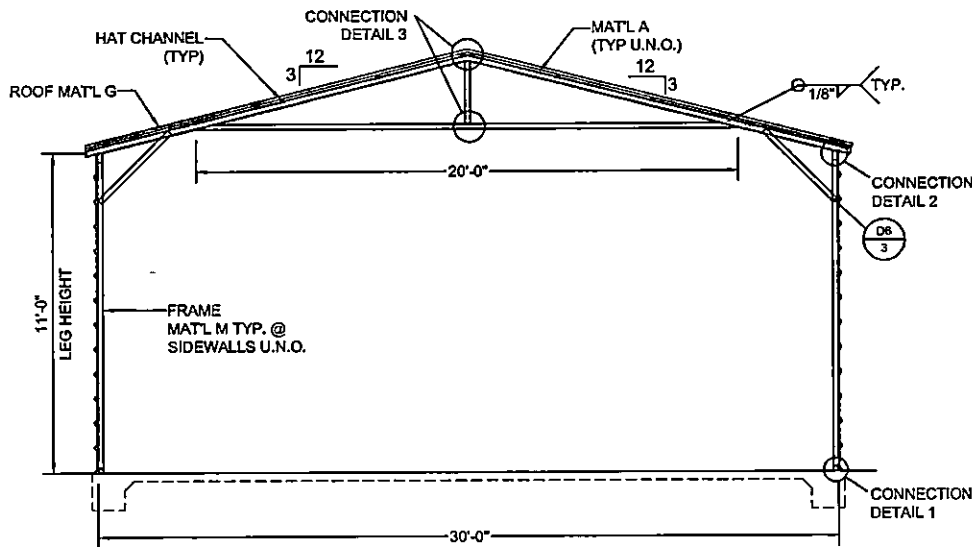
Sheet Title:
Details

Sheet No.:
3 of 5





FE ENDWALL FRAMING ELEVATION
4 NO SCALE



IE ENDWALL FRAMING ELEVATION
4 NO SCALE

30' Wide Enclosed
As Provided By
**METAL BUILDING
EXPERTS**

365 Hiatt Rd.
Mt. Airy, NC 27030

ACE Solutions, Inc.

Bus. Lic. # C-3421
Kevin R. Adams, P.E.
Phone: 336-993-5114
950 Graves Street, Suite C
Kernersville, NC 27284

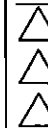
Project:
Ernest Syrest
4905 McDougald Rd.
Lillington, NC 27546

Date:
8/23/19

Scale:
As Noted

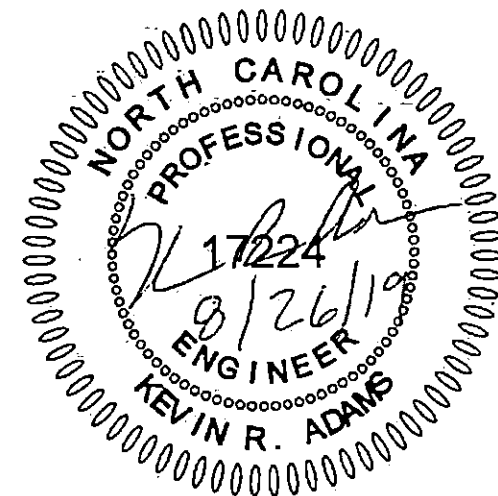
Drawn By:
MPH

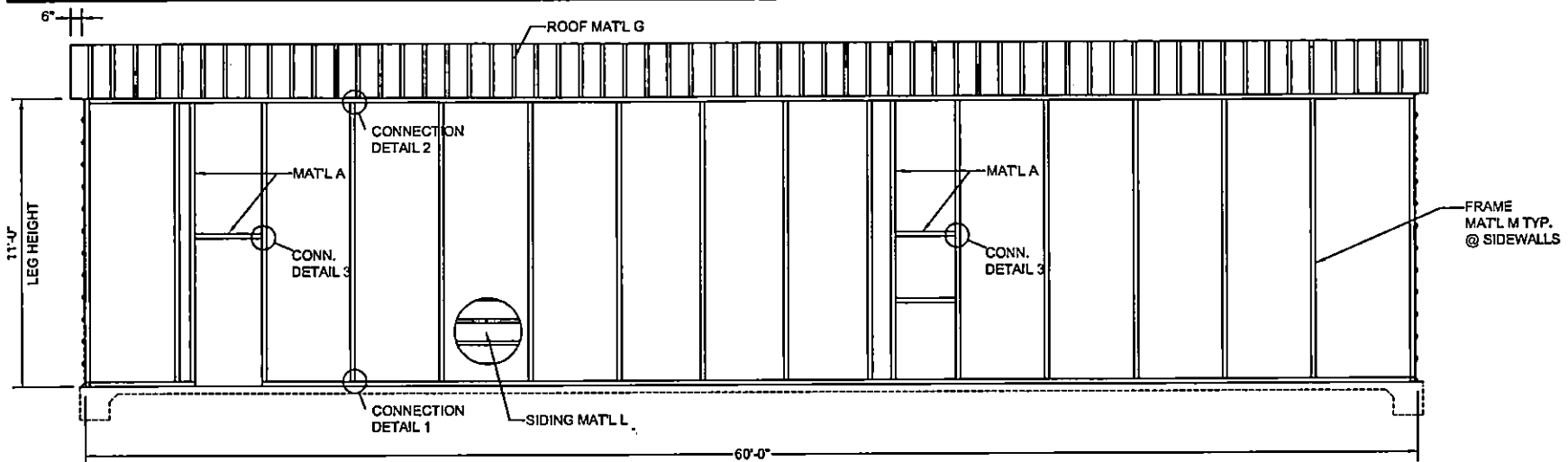
Checked By:
KRA



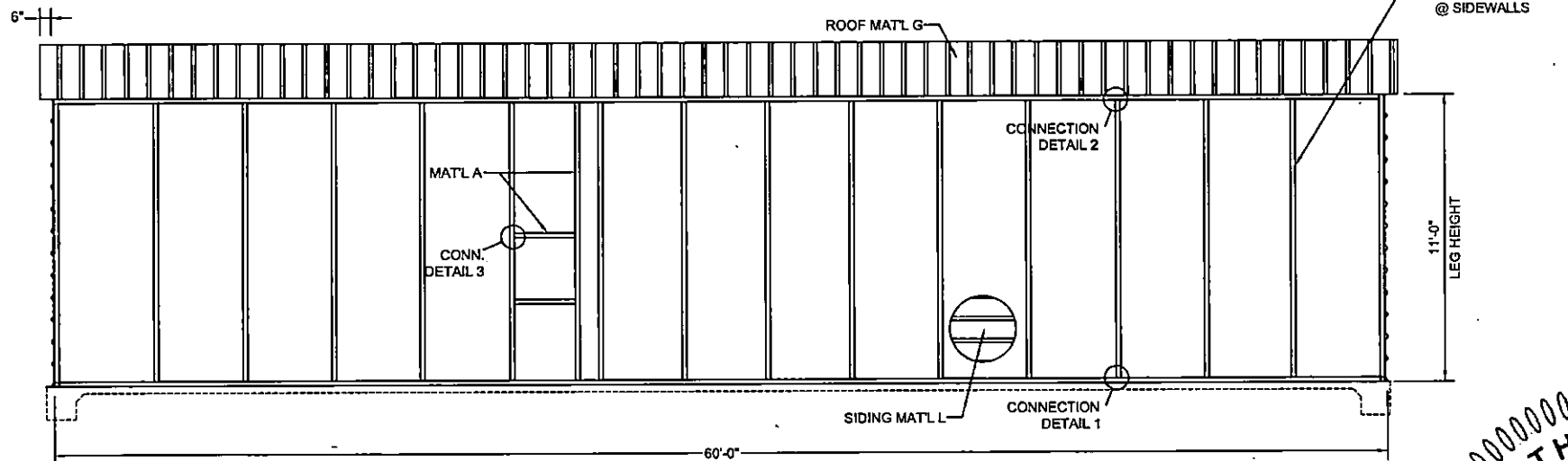
Sheet Title:
Framing Elevations

Sheet No.:
4 of 5





SE1
5 NO SCALE
SIDEWALL FRAMING ELEVATION



SE2
5 NO SCALE
SIDEWALL FRAMING ELEVATION

30' Wide Enclosed
As Provided By
METAL BUILDING EXPERTS
365 Hiatt Rd.
Mt. Airy, NC 27030

ACE Solutions, Inc.
Bus. Lic. # C-3421
Kevin R. Adams, P.E.
Phone: 336-993-5114
950 Graves Street, Suite C
Kernersville, NC 27284

Project:
Ernest Syrest
4905 McDougald Rd.
Lillington, NC 27546

Date:
8/23/19

Scale:
As Noted

Drawn By:
MPH

Checked By:
KRA



Sheet Title:
Framing Elevations

Sheet No.:
5 of 5

