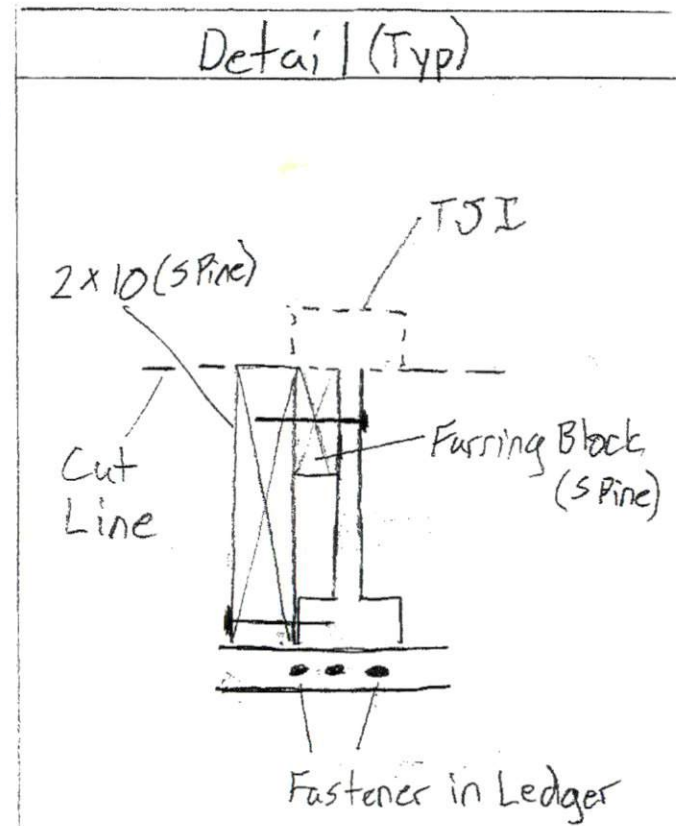
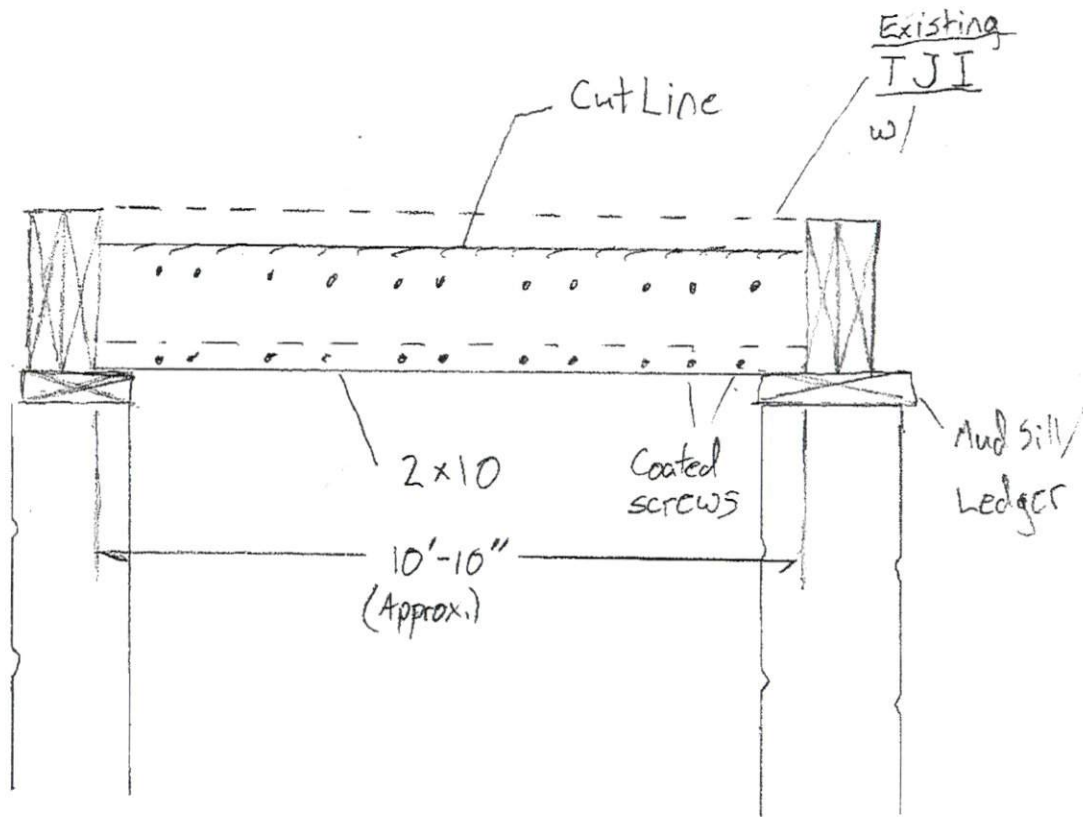


- \* TJI will Be cut Down to 9 1/4. Pine Furring Block added.
- 2x10 fastened thru Furring Block and OSB Web and At Base of existing TJI. 2x10 to span Approx. 10'-10" within span Table for Floor Framing (Southern Pine #2)
- For Recessed Bathroom Floor



Drawing For: 451 Senter Lane. Bunn Level

By: S.G.

