



Initial Application Date: \_\_\_\_\_

Application # \_\_\_\_\_

CU# \_\_\_\_\_

COUNTY OF HARNETT RESIDENTIAL LAND USE APPLICATION

Central Permitting 108 E. Front Street, Lillington, NC 27546 Phone: (910) 893-7525 ext:2 Fax: (910) 893-2793 www.harnett.org/permits

\*\*A RECORDED SURVEY MAP, RECORDED DEED (OR OFFER TO PURCHASE) & SITE PLAN ARE REQUIRED WHEN SUBMITTING A LAND USE APPLICATION\*\*

LANDOWNER: John Whitney Mailing Address: 8104 Burgundy Ln

City: Willow Spring State: NC Zip: 27572 Contact No: 910-799-2543 Email: genuinejw@sbcglobal.net

APPLICANT\*: \_\_\_\_\_ Mailing Address: \_\_\_\_\_

City: \_\_\_\_\_ State: \_\_\_\_\_ Zip: \_\_\_\_\_ Contact No: \_\_\_\_\_ Email: \_\_\_\_\_

\*Please fill out applicant information if different than landowner

ADDRESS: 4905 Orange St Coats PIN: 27521

Zoning: \_\_\_\_\_ Flood: \_\_\_\_\_ Watershed: \_\_\_\_\_ Deed Book / Page: \_\_\_\_\_

Setbacks - Front: \_\_\_\_\_ Back: \_\_\_\_\_ Side: \_\_\_\_\_ Corner: \_\_\_\_\_

PROPOSED USE:

SFD: (Size \_\_\_\_\_ x \_\_\_\_\_) # Bedrooms: 3 # Baths: 1 Basement(w/wo bath): \_\_\_\_\_ Garage: \_\_\_\_\_ Deck: \_\_\_\_\_ Crawl Space: \_\_\_\_\_ Slab: \_\_\_\_\_ Monolithic Slab: \_\_\_\_\_  
(Is the bonus room finished? ( ) yes ( ) no w/ a closet? ( ) yes ( ) no (if yes add in with # bedrooms))

Mod: (Size \_\_\_\_\_ x \_\_\_\_\_) # Bedrooms \_\_\_\_\_ # Baths \_\_\_\_\_ Basement (w/wo bath) \_\_\_\_\_ Garage: \_\_\_\_\_ Site Built Deck: \_\_\_\_\_ On Frame \_\_\_\_\_ Off Frame \_\_\_\_\_  
(Is the second floor finished? ( ) yes ( ) no Any other site built additions? ( ) yes ( ) no

Manufactured Home: \_\_\_\_\_ \_SW\_ \_DW\_ \_TW (Size \_\_\_\_\_ x \_\_\_\_\_) # Bedrooms: \_\_\_\_\_ Garage: \_\_\_\_\_ (site built? \_\_\_\_\_) Deck: \_\_\_\_\_ (site built? \_\_\_\_\_)

Duplex: (Size \_\_\_\_\_ x \_\_\_\_\_) No. Buildings: \_\_\_\_\_ No. Bedrooms Per Unit: \_\_\_\_\_

Home Occupation: # Rooms: \_\_\_\_\_ Use: \_\_\_\_\_ Hours of Operation: \_\_\_\_\_ #Employees: \_\_\_\_\_

Addition/Accessory/Other: (Size \_\_\_\_\_ x \_\_\_\_\_) Use: replacing dry rot deck (10x12) Closets in addition? ( ) yes ( ) no

Water Supply:  County \_\_\_\_\_ Existing Well \_\_\_\_\_ New Well (# of dwellings using well \_\_\_\_\_) \*Must have operable water before final (Need to Complete New Well Application at the same time as New Tank)

Sewage Supply: \_\_\_\_\_ New Septic Tank \_\_\_\_\_ Expansion \_\_\_\_\_ Relocation \_\_\_\_\_ Existing Septic Tank  County Sewer  
(Complete Environmental Health Checklist on other side of application if Septic)

Does owner of this tract of land, own land that contains a manufactured home within five hundred feet (500') of tract listed above? ( ) yes (  ) no

Does the property contain any easements whether underground or overhead ( ) yes ( ) no

Structures (existing or proposed): Single family dwellings: \_\_\_\_\_ Manufactured Homes: \_\_\_\_\_ Other (specify): \_\_\_\_\_

If permits are granted I agree to conform to all ordinances and laws of the State of North Carolina regulating such work and the specifications of plans submitted. I hereby state that foregoing statements are accurate and correct to the best of my knowledge. Permit subject to revocation if false information is provided.

John Whitney  
Signature of Owner or Owner's Agent

6-26-20  
Date

\*\*\*It is the owner/applicants responsibility to provide the county with any applicable information about the subject property, including but not limited to: boundary information, house location, underground or overhead easements, etc. The county or its employees are not responsible for any incorrect or missing information that is contained within these applications.\*\*\*

\*This application expires 6 months from the initial date if permits have not been issued\*\*

APPLICATION CONTINUES ON BACK

strong roots • new growth



**\*\*This application expires 6 months from the initial date if permits have not been issued\*\***

**\*This application to be filled out when applying for a septic system inspection.\***

**County Health Department Application for Improvement Permit and/or Authorization to Construct**

IF THE INFORMATION IN THIS APPLICATION IS FALSIFIED, CHANGED, OR THE SITE IS ALTERED, THEN THE IMPROVEMENT PERMIT OR AUTHORIZATION TO CONSTRUCT SHALL BECOME INVALID. The permit is valid for either 60 months or without expiration depending upon documentation submitted. (Complete site plan = 60 months; Complete plat = without expiration)

**Environmental Health New Septic System**

- **All property irons must be made visible.** Place "pink property flags" on each corner iron of lot. All property lines must be clearly flagged approximately every 50 feet between corners.
- Place "orange house corner flags" at each corner of the proposed structure. Also flag driveways, garages, decks, out buildings, swimming pools, etc. Place flags per site plan developed at/for Central Permitting.
- Place orange Environmental Health card in location that is easily viewed from road to assist in locating property.
- If property is thickly wooded, Environmental Health requires that you clean out the undergrowth to allow the soil evaluation to be performed. Inspectors should be able to walk freely around site. **Do not grade property.**
- **All lots to be addressed within 10 business days after confirmation. \$25.00 return trip fee may be incurred for failure to uncover outlet lid, mark house corners and property lines, etc. once lot confirmed ready.**

**Environmental Health Existing Tank Inspections**

- Follow above instructions for placing flags and card on property.
- Prepare for inspection by removing soil over **outlet end** of tank as diagram indicates, and lift lid straight up (*if possible*) and then **put lid back in place.** (Unless inspection is for a septic tank in a mobile home park)
- **DO NOT LEAVE LIDS OFF OF SEPTIC TANK**

"MORE INFORMATION MAY BE REQUIRED TO COMPLETE ANY INSPECTION"

**SEPTIC**

If applying for authorization to construct please indicate desired system type(s): can be ranked in order of preference, must choose one.

- Accepted       Innovative       Conventional       Any  
 Alternative       Other \_\_\_\_\_

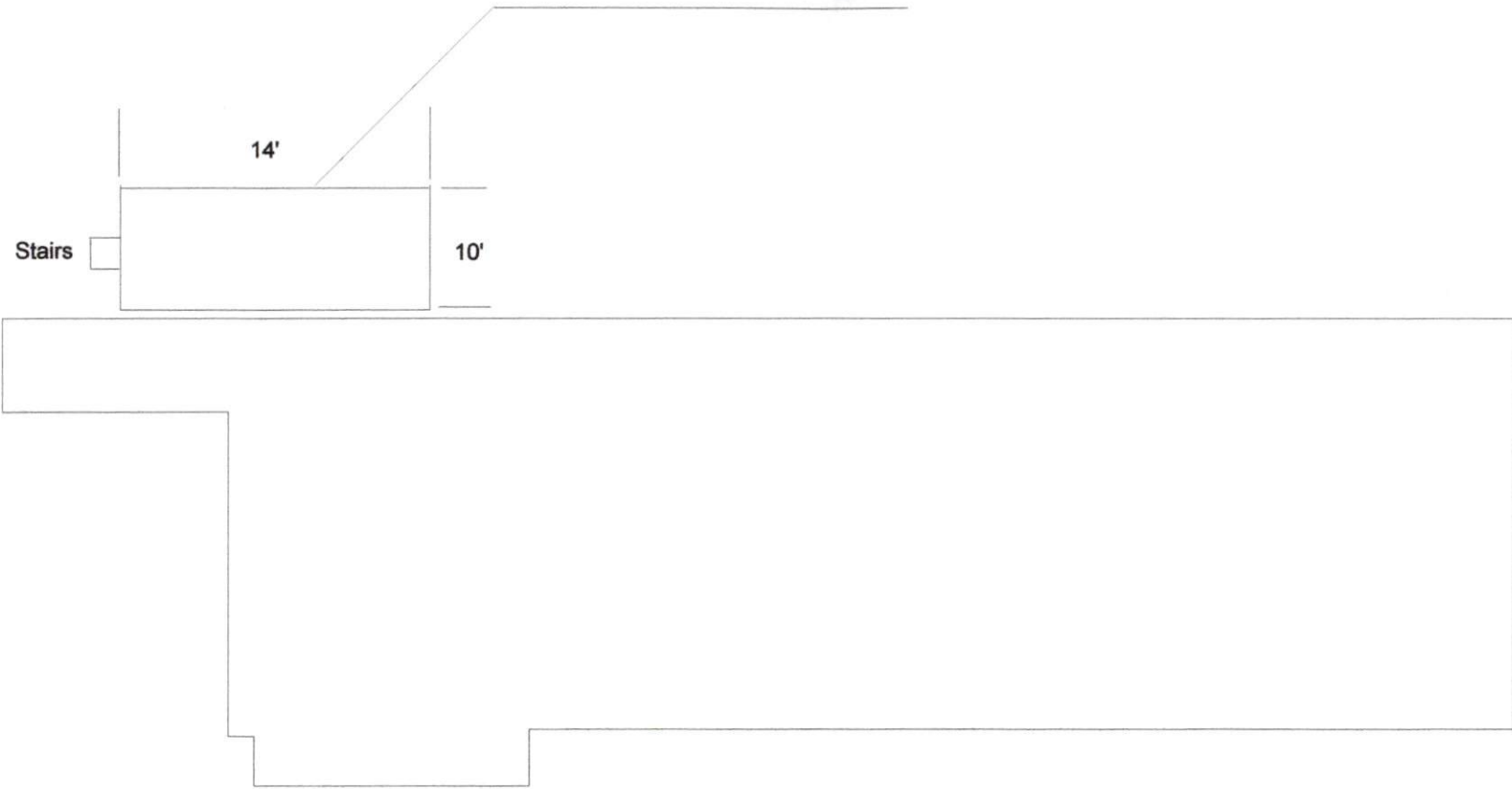
The applicant shall notify the local health department upon submittal of this application if any of the following apply to the property in question. If the answer is "yes", applicant **MUST ATTACH SUPPORTING DOCUMENTATION**:

- YES  NO Does the site contain any Jurisdictional Wetlands?  
 YES  NO Do you plan to have an irrigation system now or in the future?  
 YES  NO Does or will the building contain any drains? Please explain. \_\_\_\_\_  
 YES  NO Are there any existing wells, springs, waterlines or Wastewater Systems on this property?  
 YES  NO Is any wastewater going to be generated on the site other than domestic sewage?  
 YES  NO Is the site subject to approval by any other Public Agency?  
 YES  NO Are there any Easements or Right of Ways on this property?  
 YES  NO Does the site contain any existing water, cable, phone or underground electric lines?

If yes please call No Cuts at 800-632-4949 to locate the lines. This is a free service.

**I Have Read This Application And Certify That The Information Provided Herein Is True, Complete And Correct. Authorized County And State Officials Are Granted Right Of Entry To Conduct Necessary Inspections To Determine Compliance With Applicable Laws And Rules. I Understand That I Am Solely Responsible For The Proper Identification And Labeling Of All Property Lines And Corners And Making The Site Accessible So That A Complete Site Evaluation Can Be Performed.**

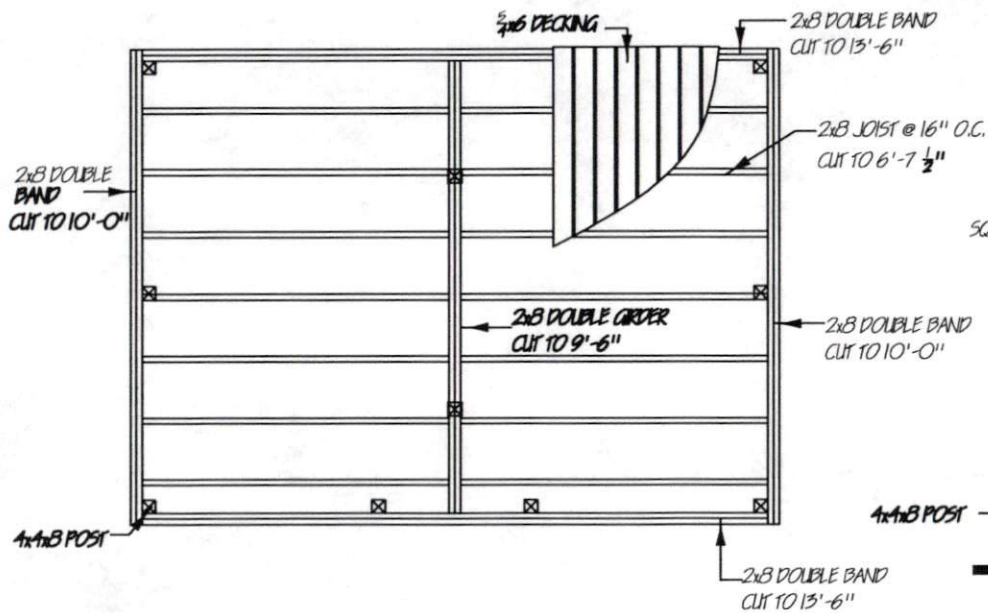
Proposed deck with attached plans  
All 4X4 posts will be set in the ground 2' 6" deep with concrete soround



Title	
Author	
File	
Revision	Date
1.0	26 June 2020

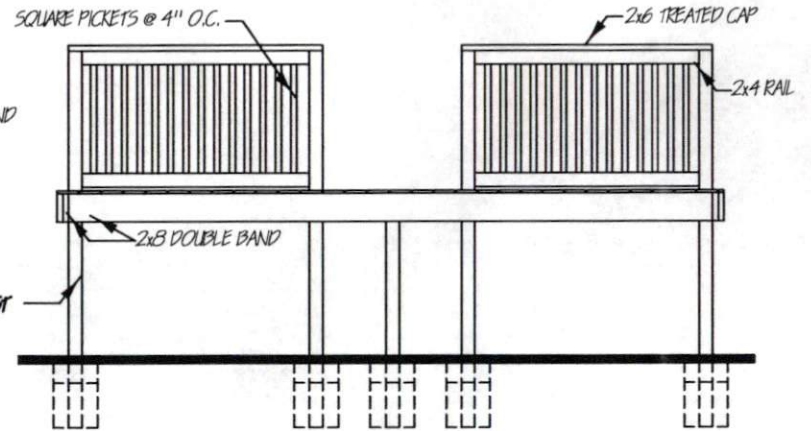
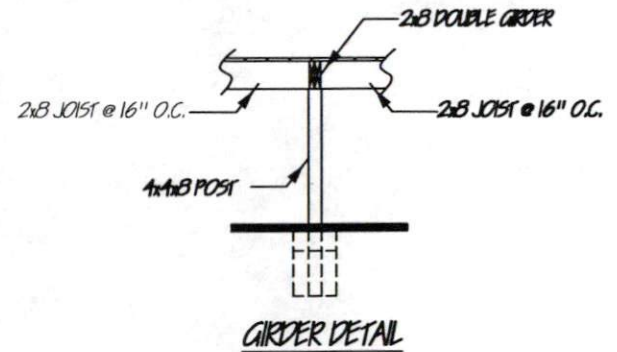
# 10'x14' DECK PLAN

SCALE: 1/4" = 1'-0"



(2) 4x4x8 POST  
(FOR STEPS)

PLAN VIEW



**NOTE:**

DECK IS NOT DESIGNED TO MEET A SPECIFIC BUILDING CODE. CUSTOMER IS RESPONSIBLE FOR MEETING THEIR LOCAL BUILDING CODE.

## Jeanann Dawson

---

**From:** Nick Holcomb  
**Sent:** Tuesday, June 30, 2020 2:39 PM  
**To:** Jeanann Dawson  
**Subject:** RE: 490 S Orange St

Yes, that is fine to replace deck.

-Nick

Sent from my Verizon, Samsung Galaxy smartphone

----- Original message -----

**From:** Jeanann Dawson <jdawson@harnett.org>  
**Date:** 6/30/20 2:13 PM (GMT-05:00)  
**To:** Nick Holcomb <nholcomb@coatsnc.org>  
**Subject:** 490 S Orange St

Good Afternoon,

I hope all is well. I am writing you in reference to John Whitney 490 S Orange St. He has a permit that has not been finalized out yet replacing dry rot on house. I have attached the zoning permit. He is now wanting to replace existing 10x12 deck, is this ok to add to current permit?

Jeanann Dawson  
Central Permitting Technician