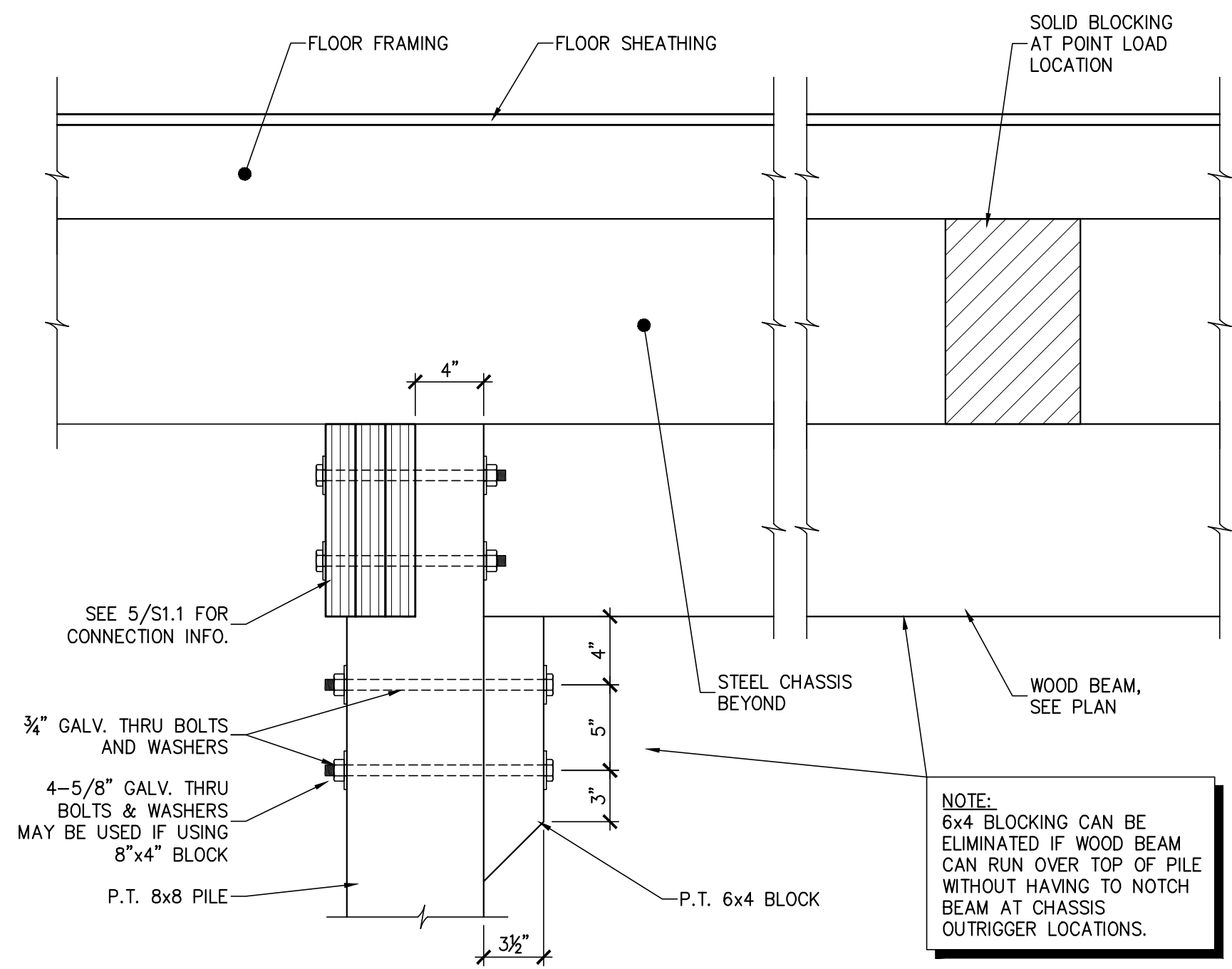
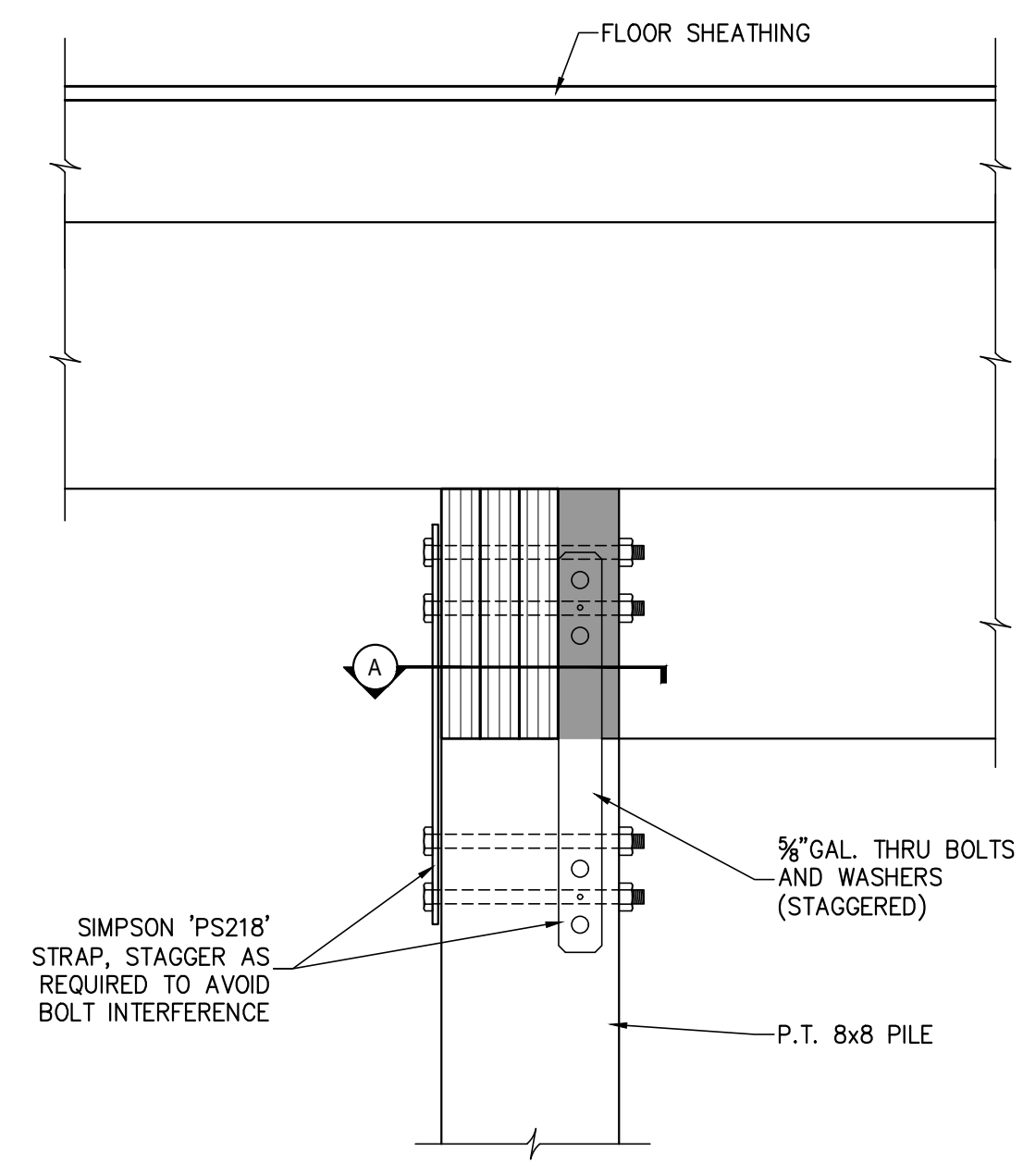
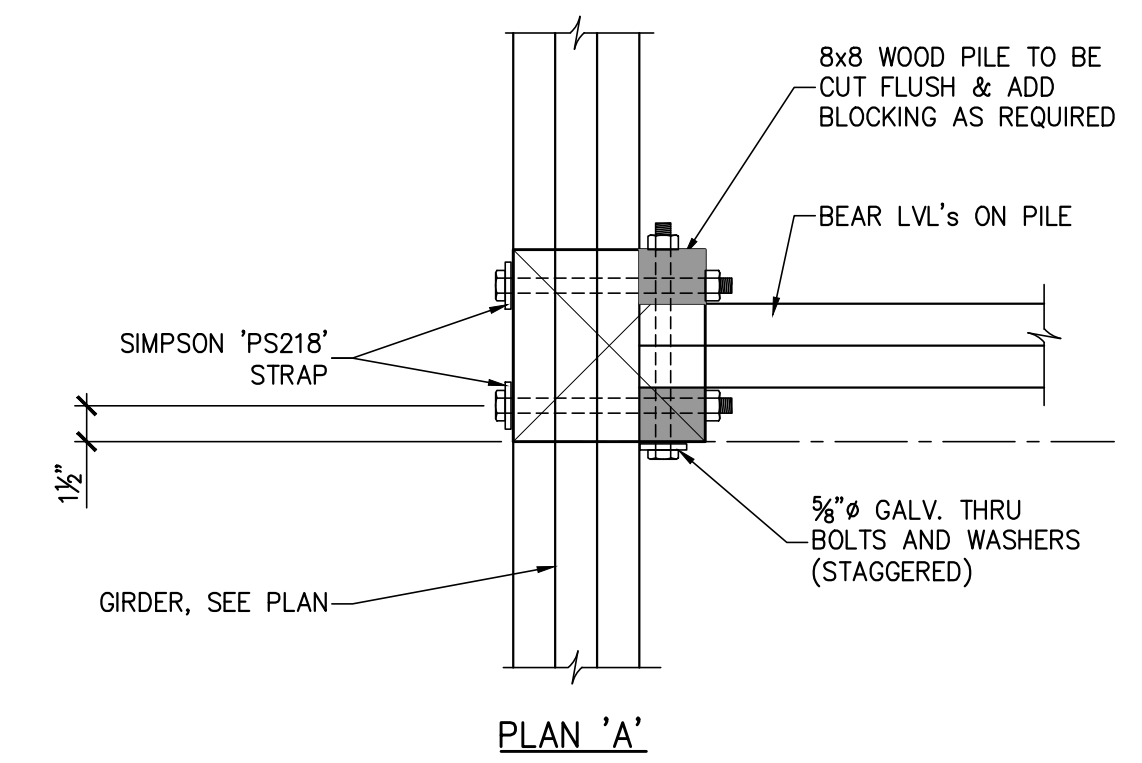


FLOOR FRAMING PLAN
1/4" = 1'-0"

- NOTES:
- SEE SITE PLAN FOR FIRST FLOOR ELEVATION.
 - ☒ DENOTES PILE 8"x8" U.N.O.
 - E.B. DENOTES EDGE OF BUILDING.
 - E.P. DENOTES EDGE OF PILE.
 - VERIFY DIMENSIONS WITH BUILDING MANUFACTURER.
 - FOR FRAMING SEE FLOOR FRAMING PLAN.
 - POINT LOAD PROVIDED BY HOME MANUFACTURER.



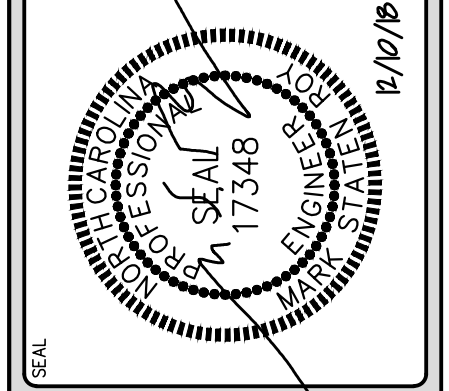
1 DETAIL OPTION "A"
S1.2 1 1/2" = 1'-0"



1 DETAIL OPTION "B"
S1.2 1 1/2" = 1'-0"

NOTE:
DETAIL 1/S1.2 OPTION "A" OR "B" NOT REQUIRED IF 2x8s CAN RUN OVER TOP OF PILES WITHOUT BEING NOTCHED.

RPA ENGINEERING, P.A.
Structural Engineering Solutions
Engineering License Certificate No. C-2734
102 Regency Blvd.
Suite A1
Greenville, NC 27834
Phone : 252-321-6027
Fax : 252-355-2179



RIVERSIDE BUILDERS
JEFF WEEKS RESIDENCE
6734 ROSS ROAD
ERWIN, NC

DRAWING TITLE
FLOOR FRAMING PLAN

PROJ. NO.
2018368

DATE
12-10-2018
DRAWN: MKE, CHECKED: MSR, APPROVED: MSR

SHEET NO.
S1.2