



Carolina Carports, Inc.

Carports • Buildings • Garages

STRUCTURAL DESIGN

ENCLOSED BUILDING

**MAXIMUM 30'-0" WIDE X 20'-0" EAVE HEIGHT- BOX EAVE
FRAME AND BOW FRAME**

6 April 2017

Revision 6

M&A Project No. 15156S & 16135S

Prepared for:

Carolina Carports, Inc.
187 Cardinal Ridge Trail
Dobson, NC 27017

Prepared by:

Moore and Associates Engineering and Consulting, Inc.
1009 East Avenue
North Augusta, SC 29841

401 S. Main Street, Suite 200
Mt. Airy, NC 27030



MOORE AND ASSOCIATES
ENGINEERING AND CONSULTING



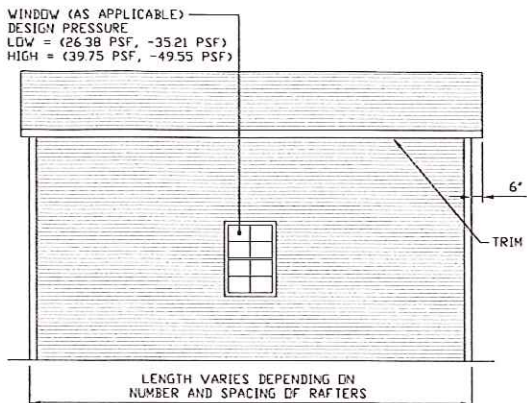
DRAWING INDEX

SHEET 1	PE SEAL COVER SHEET
SHEET 1A	PE SEAL COVER SHEET
SHEET 2	DRAWING INDEX
SHEET 3	INSTALLATION NOTES AND SPECIFICATIONS AND TYPICAL SIDE AND END ELEVATIONS
SHEET 4	TYPICAL RAFTER/COLUMN END AND SIDE FRAMING SECTION (BOX EAVE RAFTER) EXPOSURE B
SHEET 4A	TYPICAL RAFTER/COLUMN END AND SIDE FRAMING SECTION (BOX EAVE RAFTER) EXPOSURE C
SHEET 4B	TYPICAL RAFTER/COLUMN END FRAMING SECTION (BOX EAVE RAFTER) LACED DOUBLE LEG AND DOUBLE COLUMN EXPOSURE B
SHEET 4C	TYPICAL RAFTER/COLUMN END FRAMING SECTION (BOX EAVE RAFTER) LACED DOUBLE LEG AND DOUBLE COLUMN EXPOSURE C
SHEET 4D	TYPICAL SIDE FRAMING SECTION (BOX EAVE RAFTER) LACED DOUBLE LEG AND DOUBLE COLUMN OPTION
SHEET 5	COLUMN CONNECTION DETAILS (BOX EAVE STRUCTURE EXPOSURE B (140 MPH)
SHEET 5A	COLUMN CONNECTION DETAILS (BOX EAVE STRUCTURE EXPOSURE B (170 MPH)
SHEET 5B	COLUMN CONNECTION DETAILS (BOX EAVE STRUCTURE EXPOSURE C (140 MPH)
SHEET 5C	COLUMN CONNECTION DETAILS (BOX EAVE STRUCTURE EXPOSURE C (170 MPH)
SHEET 5D	COLUMN CONNECTION DETAILS (BOX EAVE STRUCTURE EXPOSURE B (140 MPH) LACED DOUBLE LEG AND DOUBLE COLUMN OPTION
SHEET 5E	COLUMN CONNECTION DETAILS (BOX EAVE STRUCTURE EXPOSURE B (170 MPH) LACED DOUBLE LEG AND DOUBLE COLUMN OPTION
SHEET 5F	COLUMN CONNECTION DETAILS (BOX EAVE STRUCTURE EXPOSURE C (140 MPH) LACED DOUBLE LEG AND DOUBLE COLUMN OPTION
SHEET 5G	COLUMN CONNECTION DETAILS (BOX EAVE STRUCTURE EXPOSURE C (170 MPH) LACED DOUBLE LEG AND DOUBLE COLUMN OPTION
SHEET 6	TYPICAL RAFTER/COLUMN END AND SIDE FRAMING SECTION (BOW RAFTER) EXPOSURE B
SHEET 6A	TYPICAL RAFTER/COLUMN END AND SIDE FRAMING SECTION (BOW RAFTER) EXPOSURE C
SHEET 7	COLUMN CONNECTION DETAILS (BOW RAFTER STRUCTURE EXPOSURE B (140 MPH)
SHEET 7A	COLUMN CONNECTION DETAILS (BOW RAFTER STRUCTURE EXPOSURE B (170 MPH)
SHEET 7B	COLUMN CONNECTION DETAILS (BOW RAFTER STRUCTURE EXPOSURE C (140 MPH)
SHEET 7C	COLUMN CONNECTION DETAILS (BOW RAFTER STRUCTURE EXPOSURE C (170 MPH)
SHEET 8	BASE RAIL ANCHORAGE OPTIONS
SHEET 9	TYPICAL END WALL AND SIDE WALL FRAMING SECTIONS (BOX EAVE)
SHEET 10	TYPICAL END WALL AND SIDE WALL FRAMING SECTIONS (BOW RAFTER)
SHEET 11	WALL OPENING DETAILS
SHEET 12	WALL OPENING DETAILS
SHEET 13	LEAN-TO OPTIONS (BOX EAVE RAFTER)
SHEET 14	LEAN-TO OPTIONS (BOW RAFTER)
SHEET 15	VERTICAL ROOF OPTION END AND SIDE ELEVATION AND SECTION
SHEET 16	BASE RAIL ON GRADE APPLICATION
SHEET 17	OPTIONAL BASE RAIL ON TIMBER BEAM
SHEET 18	OPTIONAL BASE RAIL ON TIMBER BEAM WITH SOIL NAIL
SHEET 19	OPTIONAL CONCRETE STRIP FOOTING
SHEET 20	OPTIONAL HEADER



MOORE AND ASSOCIATES ENGINEERING AND CONSULTING, INC.	DRAWN BY: JRS	CAROLINA CARPORTS, INC. 187 CARDINAL RIDGE TRAIL DOBSON, NC 27017 30'x20' ENCLOSED STRUCTURE		
	CHECKED BY: PDH	PROJECT MGR: VSH	DATE: 4-6-17	SCALE: NTS
THIS DOCUMENT IS THE PROPERTY OF MOORE AND ASSOCIATES ENGINEERING AND CONSULTING. THE UNAUTHORIZED REPRODUCTION, COPYING, OR OTHERWISE USE OF THIS DOCUMENT IS STRICTLY PROHIBITED AND ANY INFRINGEMENT THEREUPON MAY BE SUBJECT TO LEGAL ACTION.	CLIENT: CAROLINA CARPORTS	SHT. 2	DWG. NO: SK-3	JOB NO: 15156S 16135S REV: 6

BOX EAVE FRAME RAFTER STRUCTURE (Sheets 4, 4A, 4B, 4C, 4D, 5, 5A, 5B, 5C, 5D, 5E, 5F, 5G, 8, 9, 11, 12, 13, AND 15)

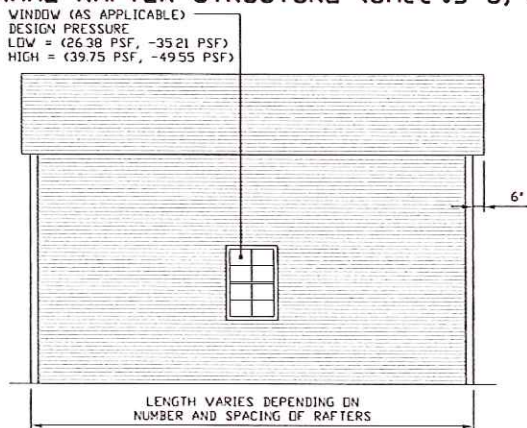


TYPICAL SIDE ELEVATION-HORIZONTAL ROOF
SCALE: NTS

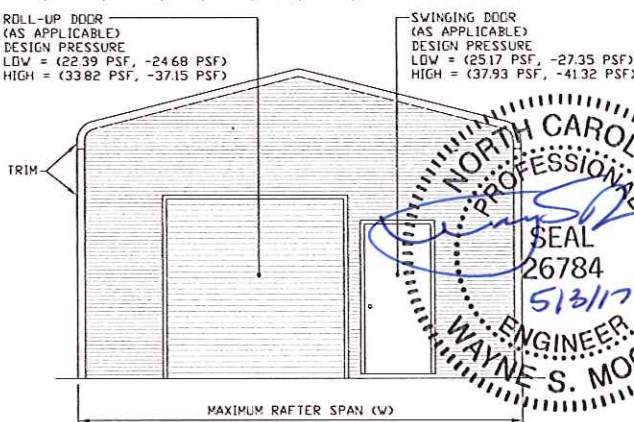


TYPICAL END ELEVATION-HORIZONTAL ROOF
SCALE: NTS

BOX FRAME RAFTER STRUCTURE (Sheets 6, 6A, 7, 7A, 7B, 7C, 8, 10, 11, 12, AND 14)



TYPICAL SIDE ELEVATION
SCALE: NTS



TYPICAL END ELEVATION
SCALE: NTS

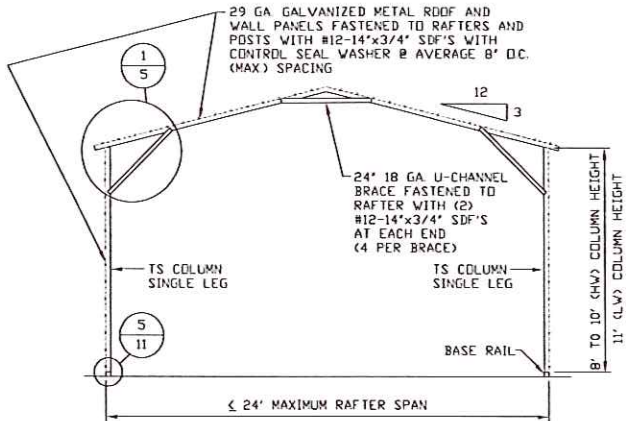


INSTALLATION NOTES AND SPECIFICATIONS

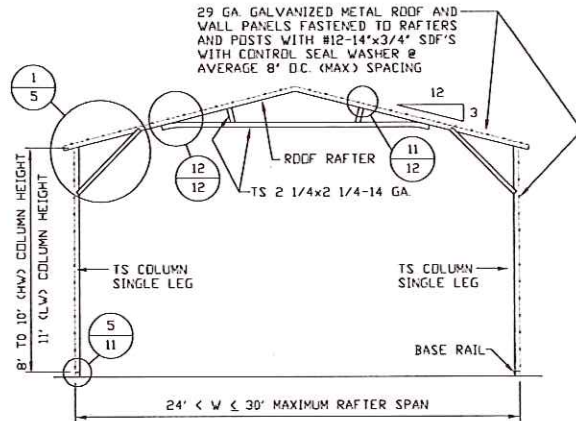
- DESIGN IS FOR MAXIMUM 30' WIDE x 20' EAVE HEIGHT ENCLOSED STRUCTURES.
- DESIGN WAS DONE IN ACCORDANCE WITH THE 2014 FLORIDA BUILDING CODE (FBC) 5TH EDITION, 2012 NORTH CAROLINA BUILDING CODE, 2006 INTERNATIONAL BUILDING CODE (IBC), 2009 IBC 2012 IBC AND 2015 IBC.
- DESIGN LOADS ARE AS FOLLOWS:
 - A) DEAD LOAD = 1.5 PSF
 - B) LIVE LOAD = 12 PSF
 - C) GROUND SNOW LOAD = 30 PSF (< 24'), 35 PSF (24' < W < 30'), 35 PSF @ 4'-0" O.C. SPACING (< 24') (MAXIMUM 45 PSF FOR EXPOSURE B AND 55 PSF FOR EXPOSURE C AT 4'-0" O.C. SPACING)
- LOW ULTIMATE WIND SPEED (LW) 105 TO 140 MPH (NOMINAL WIND SPEED 81 TO 108 MPH); MAXIMUM RAFTER/POST AND END POST SPACING = 5.0 FEET.
- HIGH ULTIMATE WIND SPEED (HW) 141 TO 170 MPH (NOMINAL WIND SPEED 109 TO 132 MPH); MAXIMUM RAFTER/POST AND END POST SPACING = 4.0 FEET.
- LOW HAZARD RISK CATEGORY I (WIND).
- WIND EXPOSURE CATEGORY B OR C.
- SPECIFICATIONS APPLICABLE TO 29 GAUGE METAL PANELS FASTENED DIRECTLY TO 2 1/2" x 2 1/2" - 14 GAGE TUBE STEEL (TS) FRAMING MEMBERS (UNLESS NOTED OTHERWISE).
- AVERAGE FASTENER SPACING ON-CENTERS ALONG RAFTERS OR HAT CHANNELS, AND COLUMNS (INTERIOR OR END) = 8' O.C. (MAX.).
- FASTENERS CONSIST OF #12-14x3/4" SELF-DRILLING FASTENER (SDF), USE CONTROL SEAL WASHER WITH EXTERIOR FASTENERS. SPECIFICATIONS APPLICABLE ONLY FOR MEAN ROOF HEIGHT OF 20 FEET OR LESS, AND ROOF SLOPES OF 14° (3:12 PITCH) OR LESS SPACING REQUIREMENTS FOR OTHER ROOF HEIGHTS AND/OR SLOPES MAY VARY.
- ANCHORS SHALL BE INSTALLED THROUGH BASE RAIL WITHIN 6" OF EACH RAFTER COLUMN ALONG SIDES.
- GROUND ANCHORS (SOIL NAILS) CONSIST OF #4 REBAR W/ WELDED NUT x 30" LONG IN SUITABLE SOIL CONDITIONS. OPTIONAL ANCHORAGE MAY BE USED IN SUITABLE SOILS AND MUST BE USED IN UNSUITABLE SOILS AS NOTED. NOT ALLOWED FOR HIGH WIND APPLICATION.
- WIND FORCES GOVERN OVER SEISMIC FORCES. SEISMIC PARAMETERS ANALYZED ARE:
 - SOIL SITE CLASS = D
 - RISK CATEGORY I/II/III
 - R = 3.25
 - I_E = 1.0
 - S_{DS} = 1.522
 - V = C_sW
 - S_{D1} = 0.839

MOORE AND ASSOCIATES ENGINEERING AND CONSULTING, INC.	DRAWN BY: JRS	CAROLINA CARPORTS, INC. 187 CARDINAL RIDGE TRAIL DOBSON, NC 27017 30'x20' ENCLOSED STRUCTURE		
	CHECKED BY: PDH			
THIS DOCUMENT IS THE PROPERTY OF MOORE AND ASSOCIATES ENGINEERING AND CONSULTING. THE UNAUTHORIZED REPRODUCTION, COPYING, OR OTHERWISE USE OF THIS DOCUMENT IS STRICTLY PROHIBITED AND ANY INFRINGEMENT THEREUPON MAY BE SUBJECT TO LEGAL ACTION.	PROJECT MGR: WSH	DATE: 4-6-17	SCALE: NTS	JOB NO: 15156S 16135S
	CLIENT: CAROLINA CARPORTS	SHT. 3	DWG. NO: SK-3	REV: 6

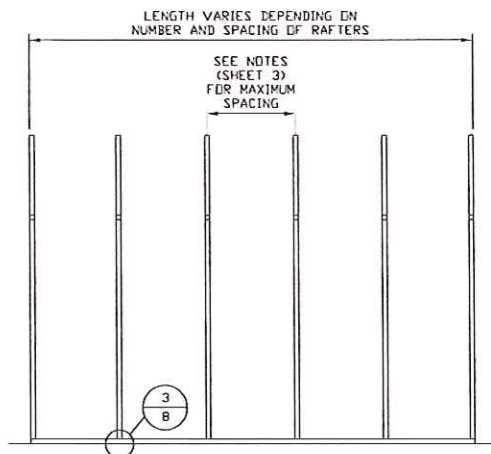
EXPOSURE B



TYPICAL RAFTER/COLUMN END FRAME SECTION
SCALE: NTS



TYPICAL RAFTER/COLUMN END FRAME SECTION
SCALE: NTS



TYPICAL RAFTER/COLUMN SIDE FRAMING SECTION
SCALE: NTS



**MOORE AND ASSOCIATES
ENGINEERING AND CONSULTING, INC.**

DRAWN BY: JRS

CHECKED BY: PDH

PROJECT MGR: WSM

CLIENT: CAROLINA CARPORTS

CAROLINA CARPORTS, INC.
187 CARDINAL RIDGE TRAIL
DOBSON, NC 27017
30'x20' ENCLOSED STRUCTURE

DATE: 4-6-17

SHT. 4

SCALE: NTS

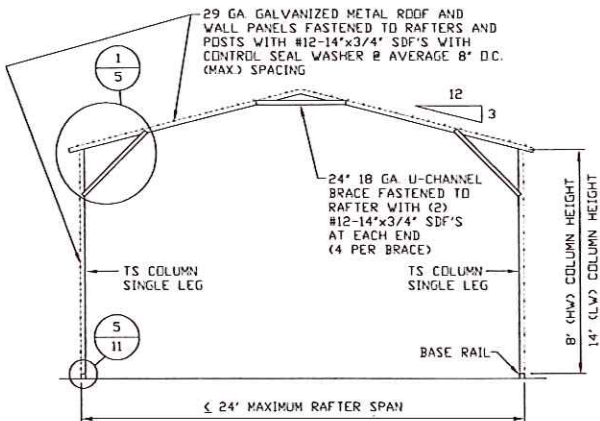
DWG. NO: SK-3

JOB NO: 15156S
16135S

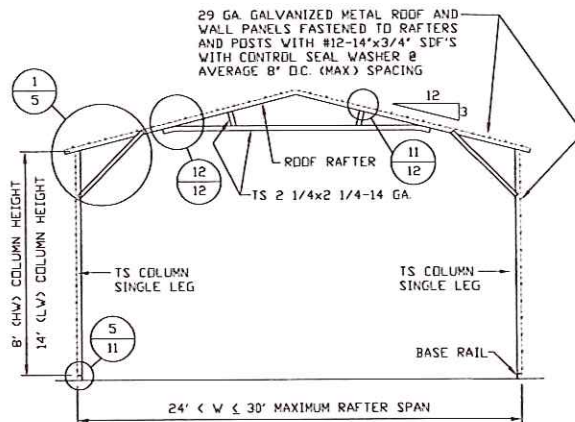
REV: 6

THIS DOCUMENT IS THE PROPERTY OF MOORE AND ASSOCIATES ENGINEERING AND CONSULTING. THE UNAUTHORIZED REPRODUCTION, COPYING, OR OTHERWISE USE OF THIS DOCUMENT IS STRICTLY PROHIBITED AND ANY INFRINGEMENT THEREUPON MAY BE SUBJECT TO LEGAL ACTION.

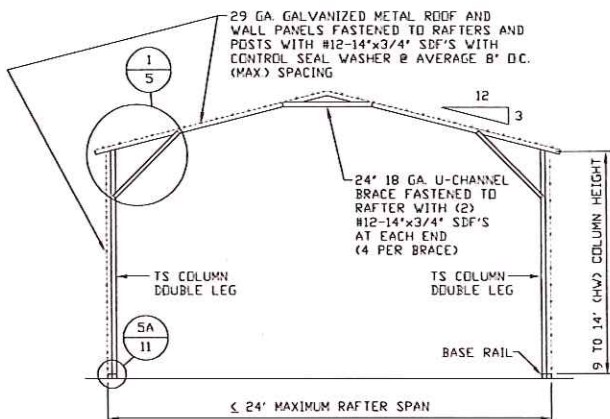
EXPOSURE C



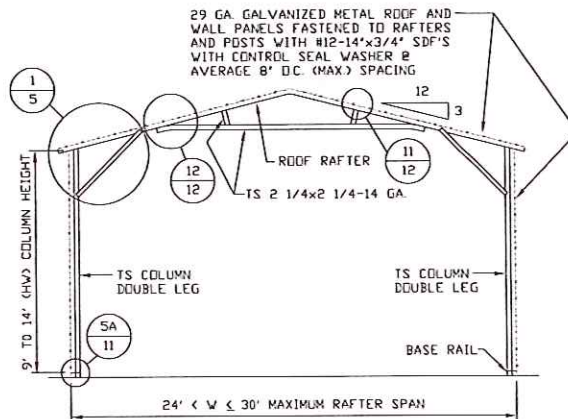
TYPICAL RAFTER/COLUMN END FRAME SECTION
SCALE: NTS



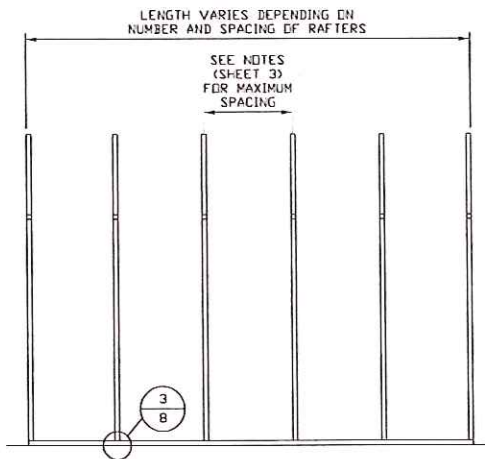
TYPICAL RAFTER/COLUMN END FRAME SECTION
SCALE: NTS



TYPICAL RAFTER/COLUMN END FRAME SECTION
SCALE: NTS



TYPICAL RAFTER/COLUMN END FRAME SECTION
SCALE: NTS



TYPICAL RAFTER/COLUMN SIDE FRAMING SECTION
SCALE: NTS



**MOORE AND ASSOCIATES
ENGINEERING AND CONSULTING, INC.**

DRAWN BY: JRS

CHECKED BY: PDH

PROJECT MGR: WSM

CLIENT: CAROLINA
CARPORTS

CAROLINA CARPORTS, INC.
187 CARDINAL RIDGE TRAIL
DOBSON, NC 27017
30'x20' ENCLOSED STRUCTURE

DATE: 4-6-17

SHT. 4A

SCALE: NTS

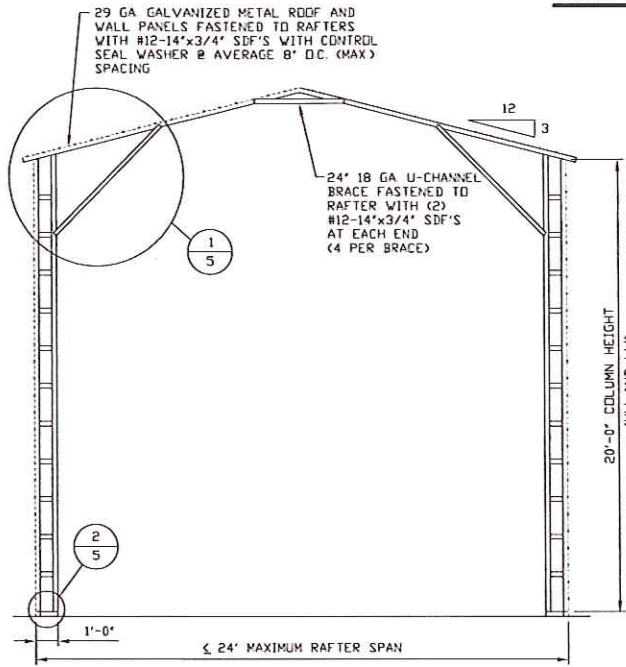
DWG. NO: SK-3

JOB NO: 15156S
16135S

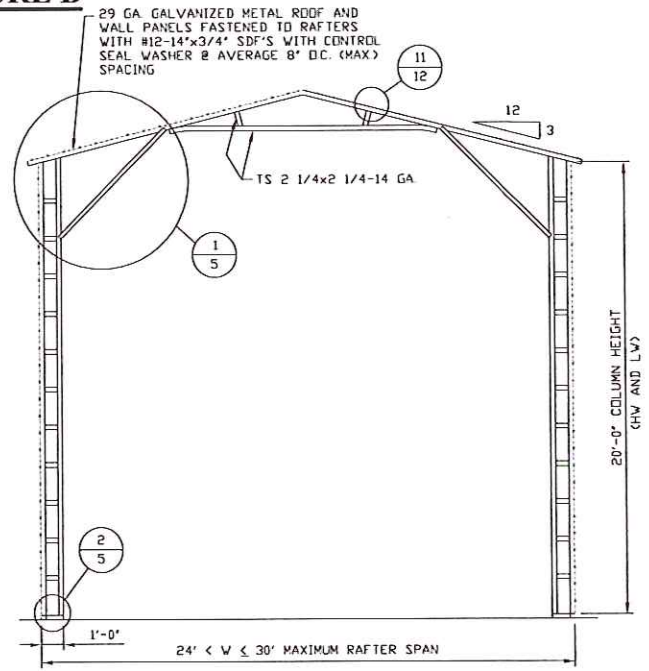
REV: 6

THIS DOCUMENT IS THE PROPERTY OF MOORE AND ASSOCIATES ENGINEERING AND CONSULTING. THE UNAUTHORIZED REPRODUCTION, COPYING, OR OTHERWISE USE OF THIS DOCUMENT IS STRICTLY PROHIBITED AND ANY INFRINGEMENT THEREUPON MAY BE SUBJECT TO LEGAL ACTION.

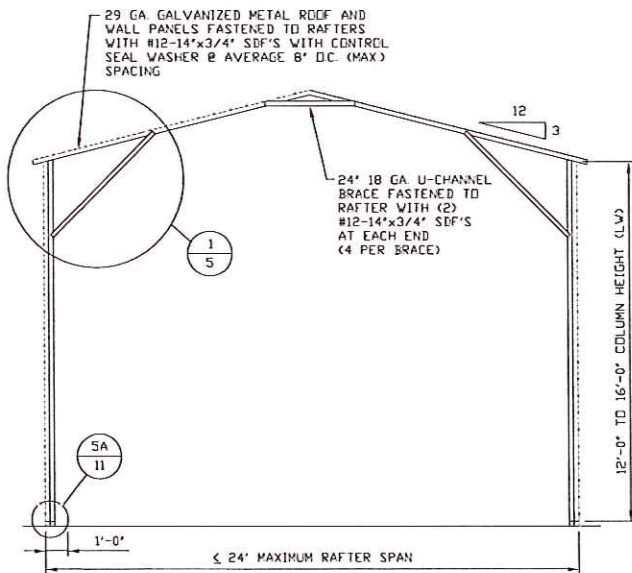
EXPOSURE B



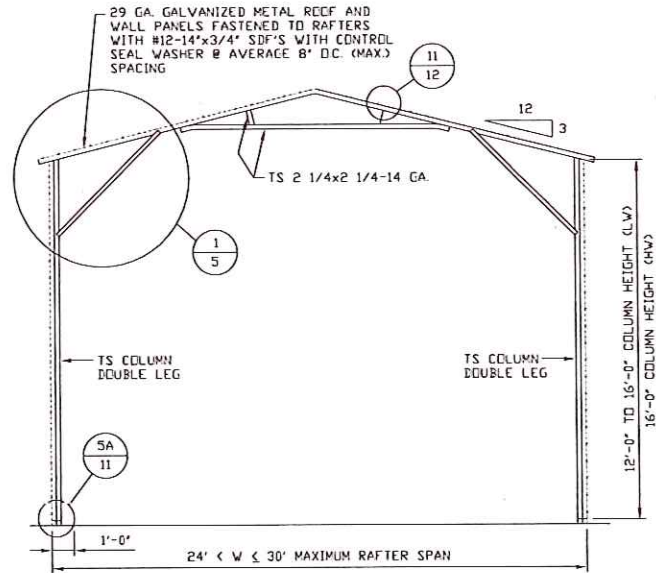
TYPICAL RAFTER/COLUMN END FRAME SECTION
SCALE: NTS



TYPICAL RAFTER/COLUMN END FRAME SECTION
SCALE: NTS



TYPICAL RAFTER/COLUMN END FRAME SECTION
SCALE: NTS



TYPICAL RAFTER/COLUMN END FRAME SECTION
SCALE: NTS



**MOORE AND ASSOCIATES
ENGINEERING AND CONSULTING, INC.**

DRAWN BY: JRS

CHECKED BY: PDH

PROJECT MGR: WSH

CLIENT: CAROLINA
CARPORTS

CAROLINA CARPORTS, INC.
187 CARDINAL RIDGE TRAIL
DOBSON, NC 27017
30'x20' ENCLOSED STRUCTURE

DATE: 4-6-17

SHT. 4B

SCALE: NTS

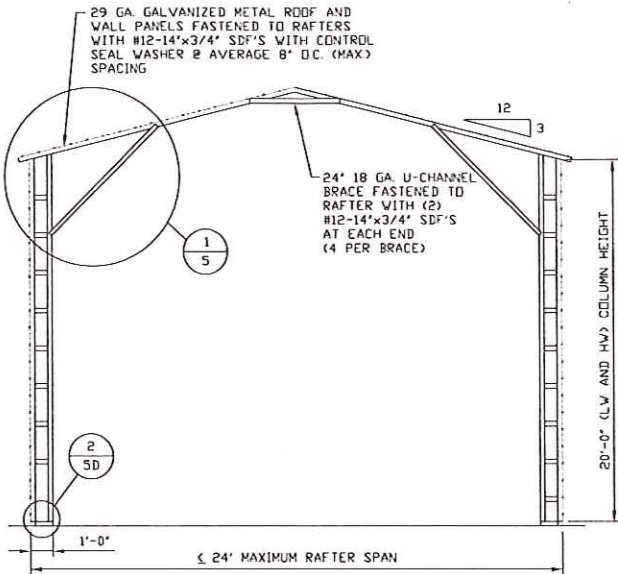
DWG. NO: SK-3

JOB NO: 15156S
16135S

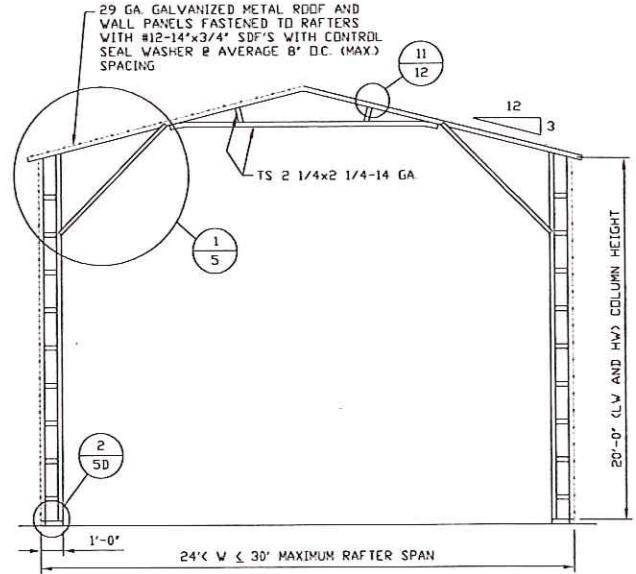
REV: 6

THIS DOCUMENT IS THE PROPERTY OF MOORE AND ASSOCIATES ENGINEERING AND CONSULTING. THE UNAUTHORIZED REPRODUCTION, COPYING, OR OTHERWISE USE OF THIS DOCUMENT IS STRICTLY PROHIBITED AND ANY INFRINGEMENT THEREUPON MAY BE SUBJECT TO LEGAL ACTION.

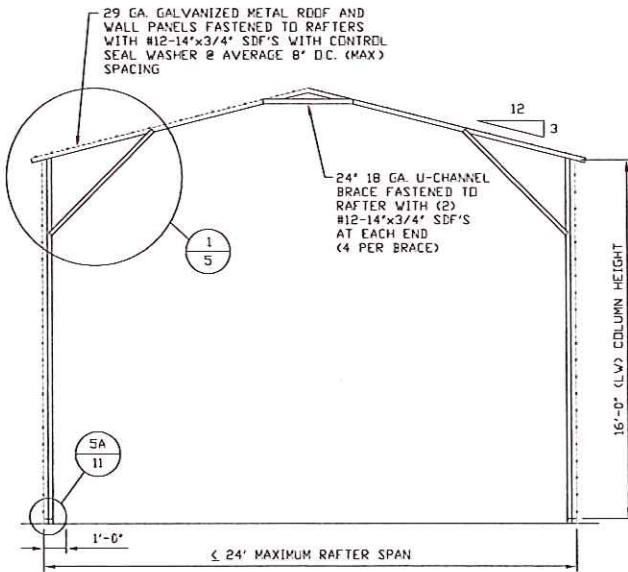
EXPOSURE C



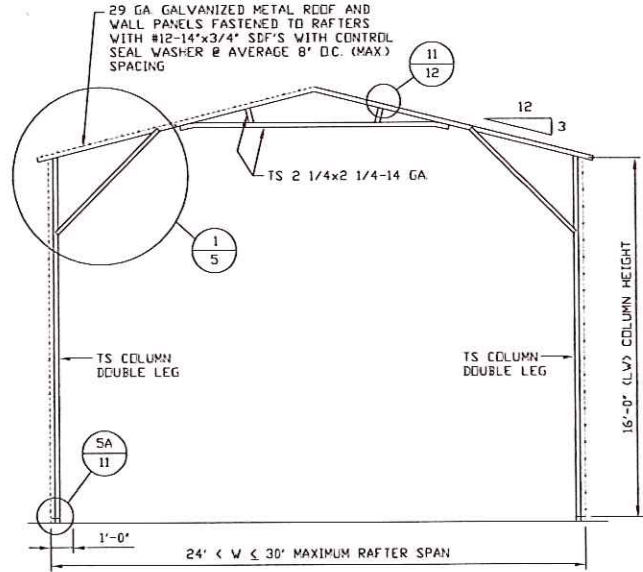
TYPICAL RAFTER/COLUMN END FRAME SECTION
SCALE: NTS



TYPICAL RAFTER/COLUMN END FRAME SECTION
SCALE: NTS



TYPICAL RAFTER/COLUMN END FRAME SECTION
SCALE: NTS



TYPICAL RAFTER/COLUMN END FRAME SECTION
SCALE: NTS



**MOORE AND ASSOCIATES
ENGINEERING AND CONSULTING, INC.**

DRAWN BY: JRS

CHECKED BY: PDH

PROJECT MGR: WSH

CLIENT: CAROLINA CARPORTS

CAROLINA CARPORTS, INC.
187 CARDINAL RIDGE TRAIL
DOBSON, NC 27017
30'x20' ENCLOSED STRUCTURE

DATE: 4-6-17

SHT. 4C

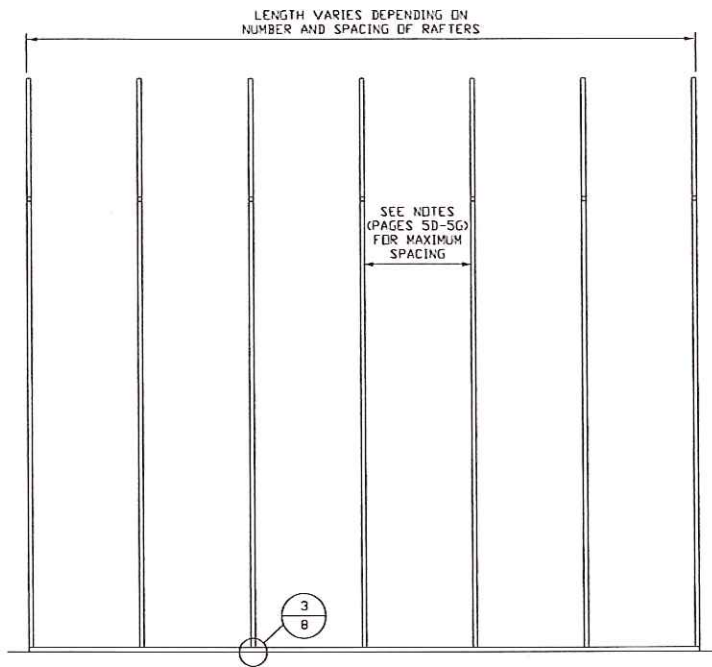
SCALE: NTS

DWG. NO: SK-3

JOB NO: 15156S
1613SS

REV: 6

THIS DOCUMENT IS THE PROPERTY OF MOORE AND ASSOCIATES ENGINEERING AND CONSULTING. THE UNAUTHORIZED REPRODUCTION, COPYING, OR OTHERWISE USE OF THIS DOCUMENT IS STRICTLY PROHIBITED AND ANY INFRINGEMENT THEREUPON MAY BE SUBJECT TO LEGAL ACTION.



TYPICAL RAFTER/COLUMN SIDE FRAMING SECTION

SCALE: NTS



**MOORE AND ASSOCIATES
ENGINEERING AND CONSULTING, INC.**

DRAWN BY: JRS

CHECKED BY: PDH

PROJECT MGR: VSH

CLIENT: CAROLINA
CARPORTS

CAROLINA CARPORTS, INC.
187 CARDINAL RIDGE TRAIL
DOBSON, NC 27017
30'x20' ENCLOSED STRUCTURE

DATE: 4-6-17

SHT. 4D

SCALE: NTS

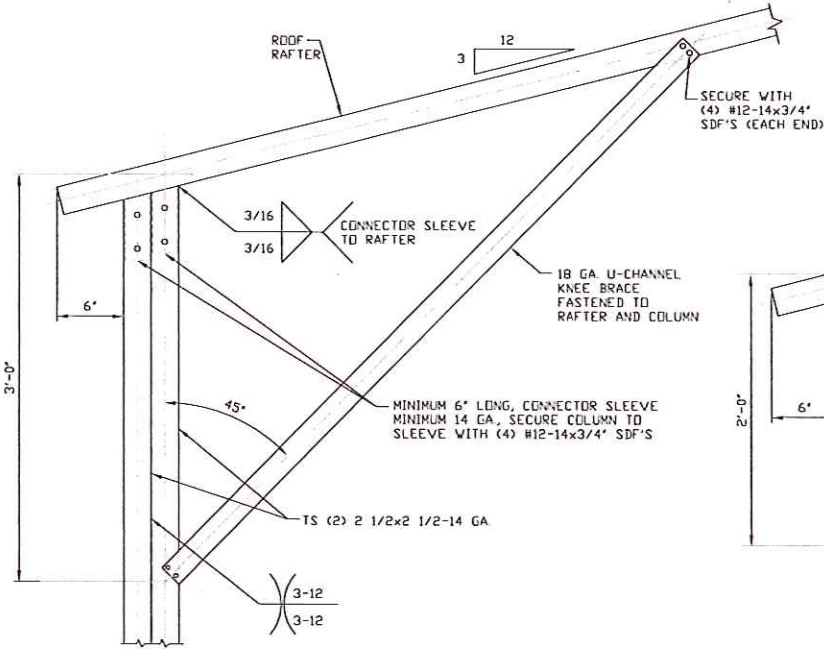
DWG. NO: SK-3

JOB NO: 15156S
16135S

REV: 6

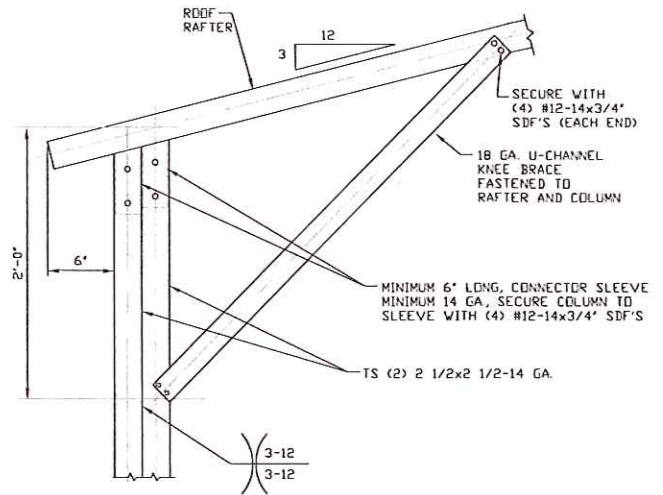
THIS DOCUMENT IS THE PROPERTY OF MOORE AND ASSOCIATES ENGINEERING AND CONSULTING. THE UNAUTHORIZED REPRODUCTION, COPYING, OR OTHERWISE USE OF THIS DOCUMENT IS STRICTLY PROHIBITED AND ANY INFRINGEMENT THEREUPON MAY BE SUBJECT TO LEGAL ACTION.

EXPOSURE B (140 MPH)



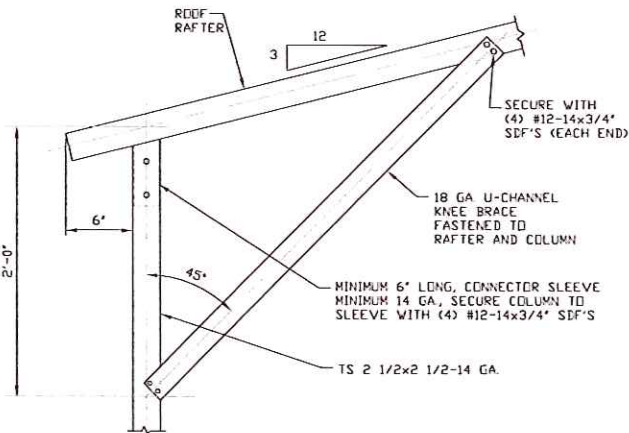
1A
BOX EAVE RAFTER COLUMN
CONNECTION DETAIL FOR
HEIGHTS 12' < TO ≤ 14'

SCALE: NTS



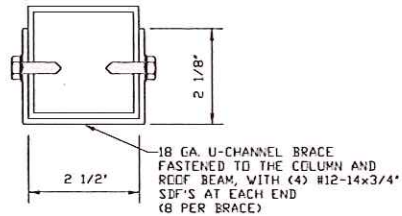
1B
BOX EAVE RAFTER COLUMN
CONNECTION DETAIL FOR
HEIGHTS 11' < TO ≤ 12'

SCALE: NTS



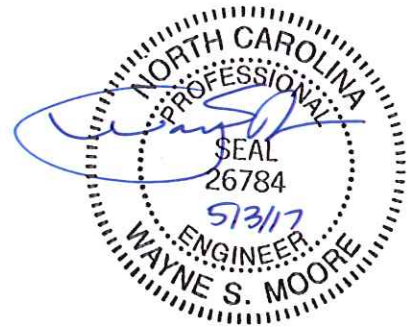
1C
BOX EAVE RAFTER COLUMN
CONNECTION DETAIL FOR
HEIGHTS ≤ 11'

SCALE: NTS



BRACE SECTION

SCALE: NTS



**MOORE AND ASSOCIATES
ENGINEERING AND CONSULTING, INC.**

DRAWN BY: JRS

CHECKED BY: PDH

PROJECT MGR: WSH

CLIENT: CAROLINA
CARPORTS

CAROLINA CARPORTS, INC.
187 CARDINAL RIDGE TRAIL
DOBSON, NC 27017
30'x20' ENCLOSED STRUCTURE

DATE: 4-6-17

SHT. 5

SCALE: NTS

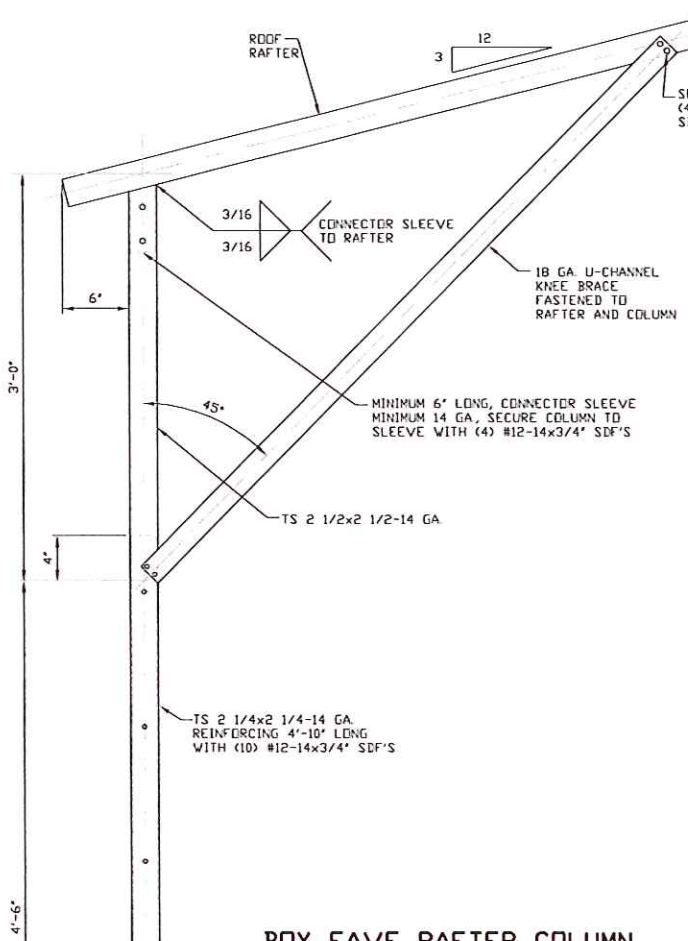
DWG. NO: SK-3

JOB NO: 15156S
16135S

REV: 6

THIS DOCUMENT IS THE PROPERTY OF MOORE AND ASSOCIATES ENGINEERING AND CONSULTING. THE UNAUTHORIZED REPRODUCTION, COPYING, OR OTHERWISE USE OF THIS DOCUMENT IS STRICTLY PROHIBITED AND ANY INFRINGEMENT THEREUPON MAY BE SUBJECT TO LEGAL ACTION.

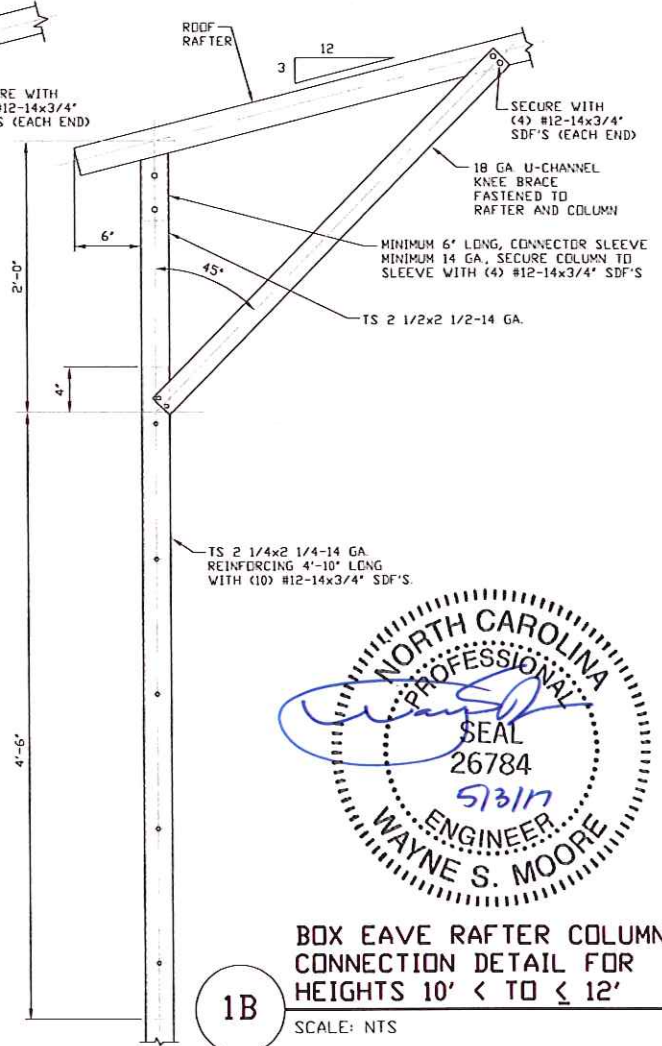
EXPOSURE B (170 MPH)



BOX EAVE RAFTER COLUMN CONNECTION DETAIL FOR HEIGHTS 12' < TO ≤ 14'

1A

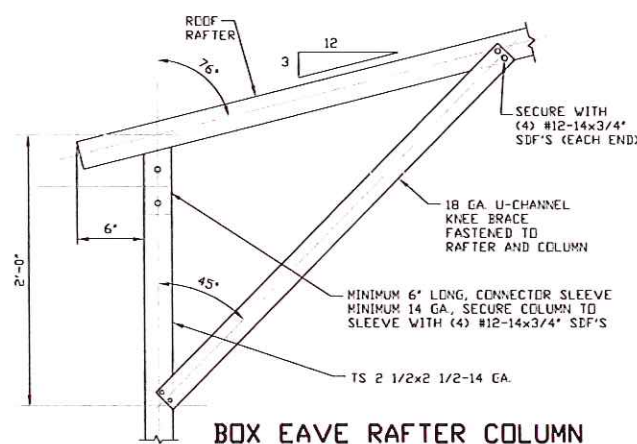
SCALE: NTS



BOX EAVE RAFTER COLUMN CONNECTION DETAIL FOR HEIGHTS 10' < TO ≤ 12'

1B

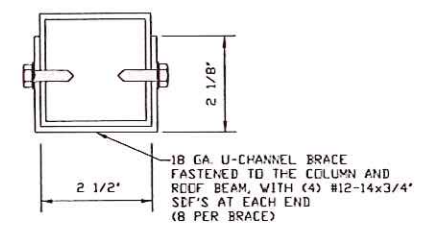
SCALE: NTS



BOX EAVE RAFTER COLUMN CONNECTION DETAIL FOR HEIGHTS ≤ 10'

1C

SCALE: NTS



BRACE SECTION

SCALE: NTS

MOORE AND ASSOCIATES ENGINEERING AND CONSULTING, INC.

DRAWN BY: JRS
CHECKED BY: PDH

CAROLINA CARPORTS, INC.
187 CARDINAL RIDGE TRAIL
DOBSON, NC 27017
30'x20' ENCLOSED STRUCTURE

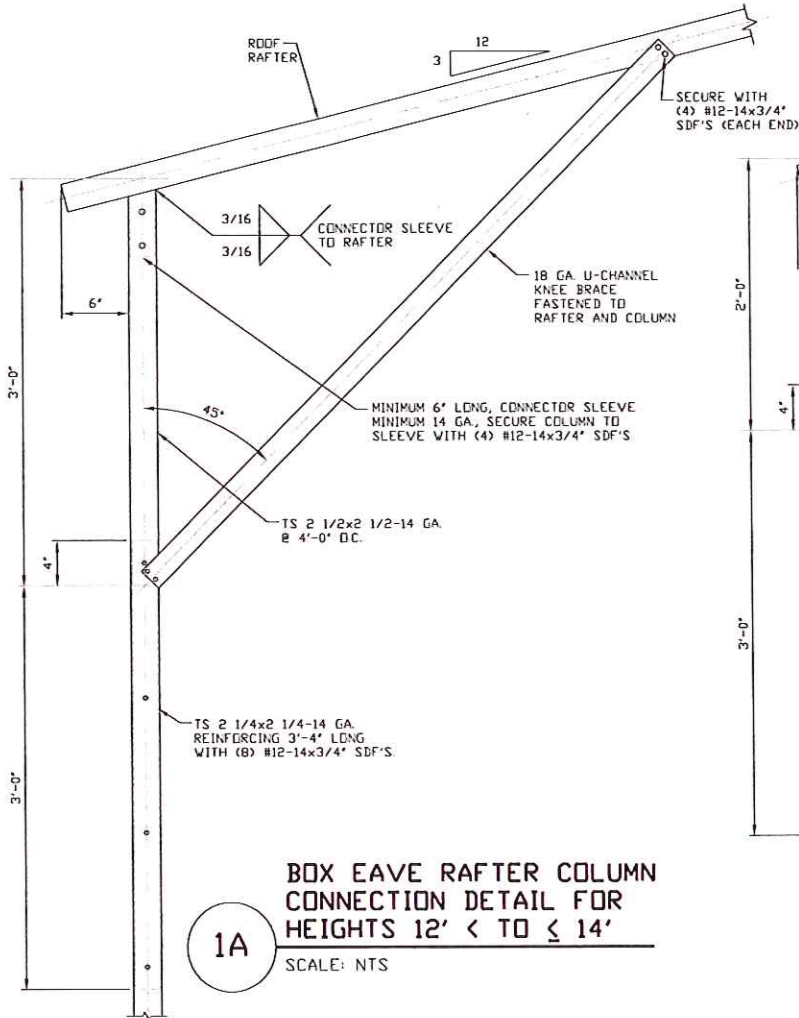
THIS DOCUMENT IS THE PROPERTY OF MOORE AND ASSOCIATES ENGINEERING AND CONSULTING. THE UNAUTHORIZED REPRODUCTION, COPYING, OR OTHERWISE USE OF THIS DOCUMENT IS STRICTLY PROHIBITED AND ANY INFRINGEMENT THEREUPON MAY BE SUBJECT TO LEGAL ACTION.

PROJECT MGR: WSH
CLIENT: CAROLINA CARPORTS

DATE: 4-6-17
SHT. 5A

SCALE: NTS
JOB NO: 15156S 16135S
DWG. NO: SK-3
REV: 6

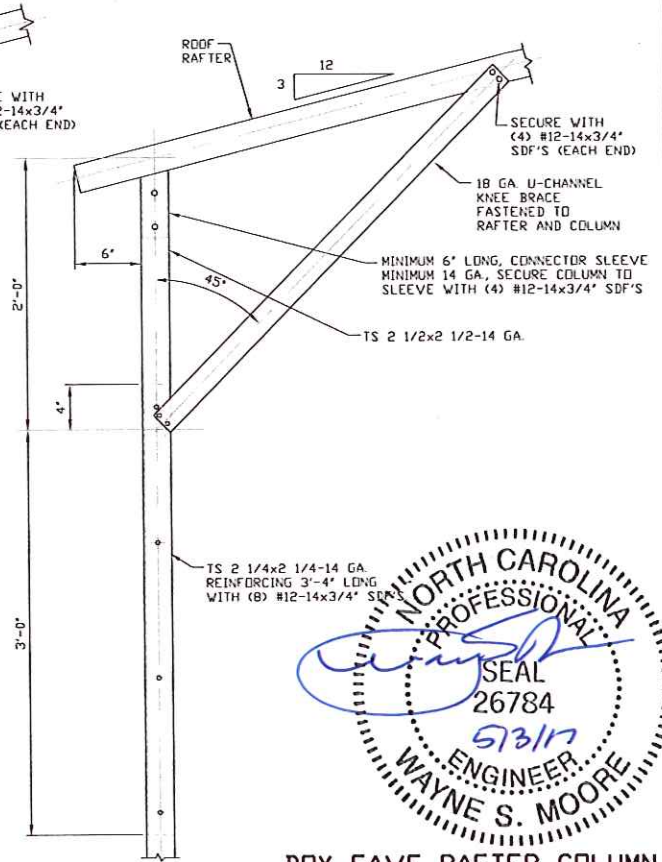
EXPOSURE C (140 MPH)



1A

BOX EAVE RAFTER COLUMN CONNECTION DETAIL FOR HEIGHTS 12' < TO <= 14'

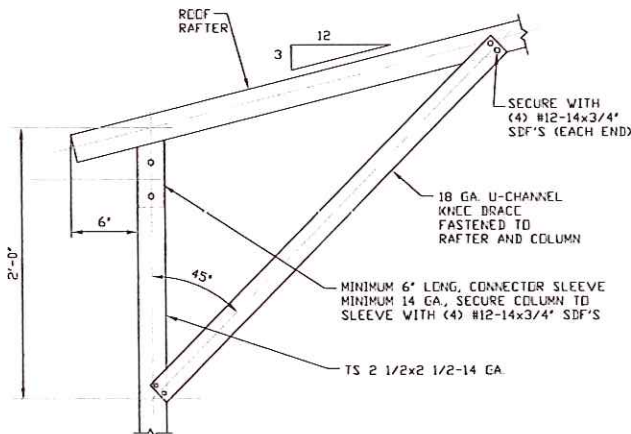
SCALE: NTS



1B

BOX EAVE RAFTER COLUMN CONNECTION DETAIL FOR HEIGHTS 10' < TO <= 12'

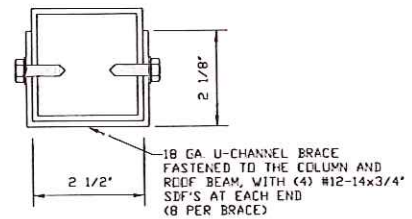
SCALE: NTS



1C

BOX EAVE RAFTER COLUMN CONNECTION DETAIL FOR HEIGHTS <= 10'

SCALE: NTS



BRACE SECTION

SCALE: NTS

MOORE AND ASSOCIATES
ENGINEERING AND CONSULTING, INC.

DRAWN BY: JRS

CHECKED BY: PDM

PROJECT MGR: VSM

CLIENT: CAROLINA CARPORTS

CAROLINA CARPORTS, INC.
187 CARDINAL RIDGE TRAIL
DOBSON, NC 27017
30'x20' ENCLOSED STRUCTURE

DATE: 4-6-17

SHT. 5B

SCALE: NTS

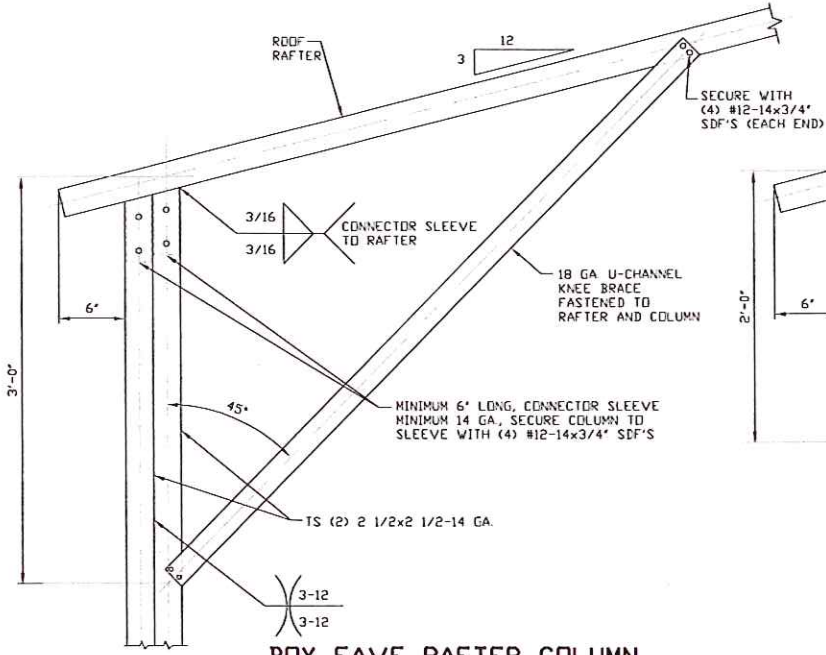
DWG. NO: SK-3

JOB NO: 15156S
16135S

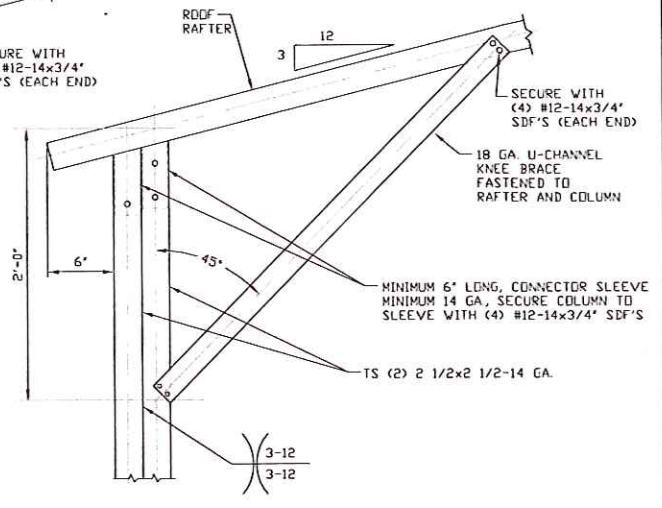
REV: 6

THIS DOCUMENT IS THE PROPERTY OF MOORE AND ASSOCIATES ENGINEERING AND CONSULTING. THE UNAUTHORIZED REPRODUCTION, COPYING, OR OTHERWISE USE OF THIS DOCUMENT IS STRICTLY PROHIBITED AND ANY INFRINGEMENT THEREUPON MAY BE SUBJECT TO LEGAL ACTION.

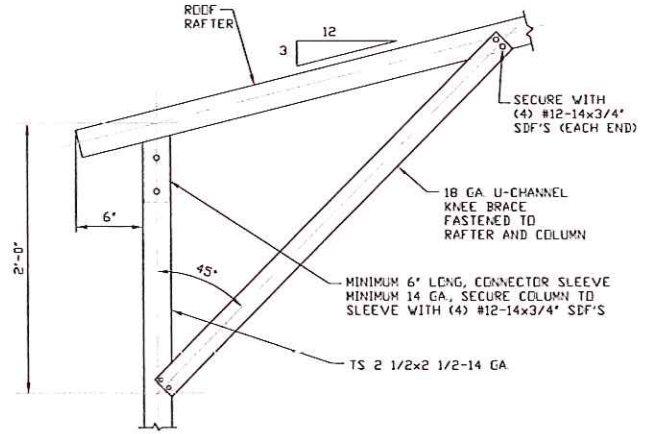
EXPOSURE C (170 MPH)



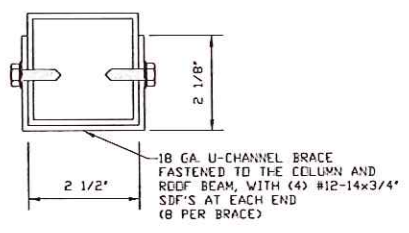
1A
BOX EAVE RAFTER COLUMN CONNECTION DETAIL FOR HEIGHTS 12' < TO <= 14'
 SCALE: NTS



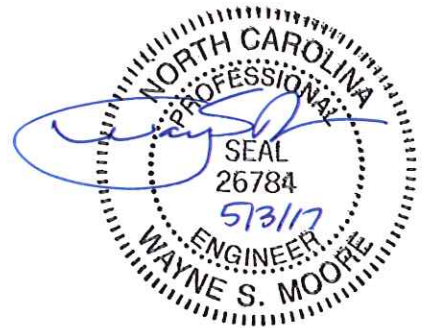
1B
BOX EAVE RAFTER COLUMN CONNECTION DETAIL FOR HEIGHTS 8' < TO <= 12'
 SCALE: NTS



1C
BOX EAVE RAFTER COLUMN CONNECTION DETAIL FOR HEIGHTS <= 8'
 SCALE: NTS

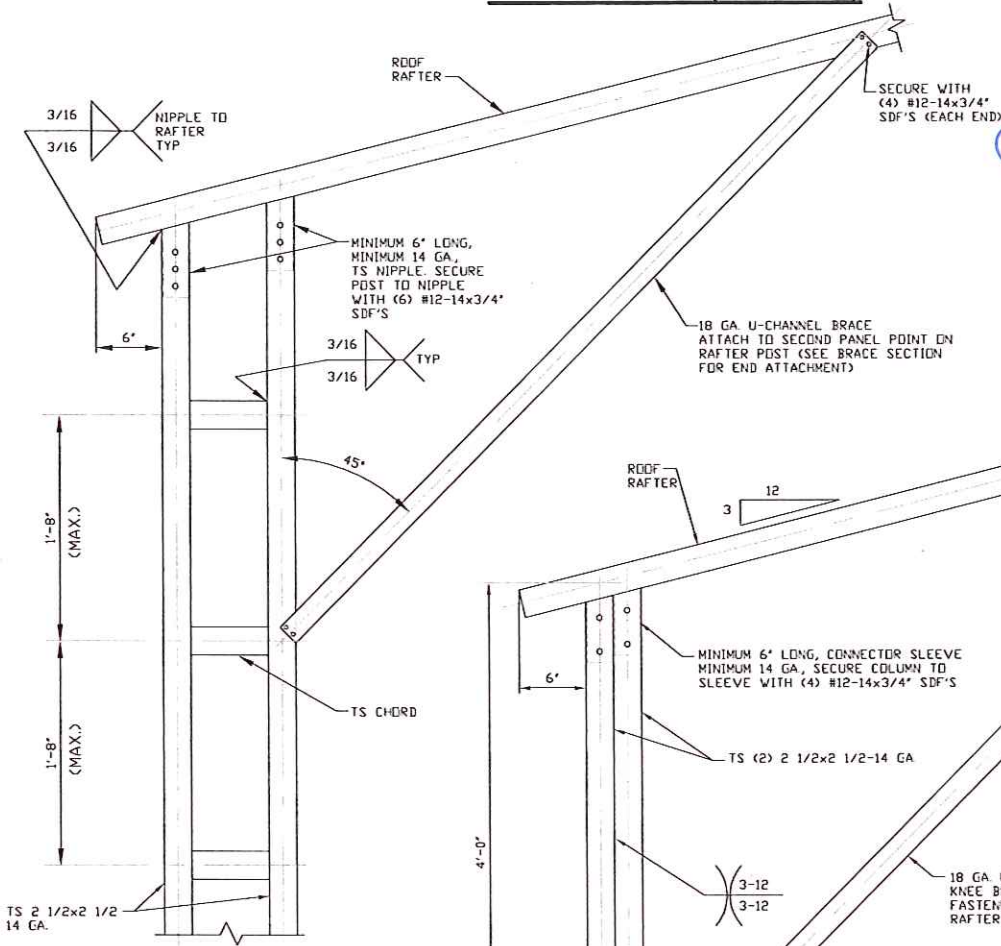


BRACE SECTION
 SCALE: NTS



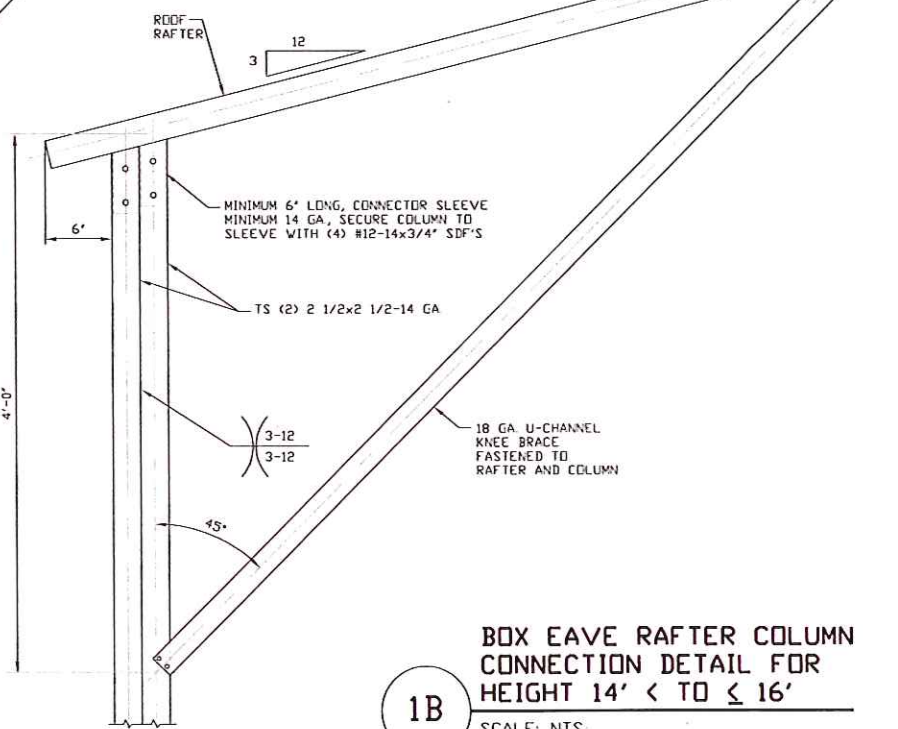
MOORE AND ASSOCIATES ENGINEERING AND CONSULTING, INC.	DRAWN BY: JRS	CAROLINA CARPORTS, INC. 187 CARDINAL RIDGE TRAIL DOBSON, NC 27017 30'x20' ENCLOSED STRUCTURE		
	CHECKED BY: PDH	PROJECT MGR: WSH	DATE: 4-6-17	SCALE: NTS
THIS DOCUMENT IS THE PROPERTY OF MOORE AND ASSOCIATES ENGINEERING AND CONSULTING. THE UNAUTHORIZED REPRODUCTION, COPYING, OR OTHERWISE USE OF THIS DOCUMENT IS STRICTLY PROHIBITED AND ANY INFRINGEMENT THEREUPON MAY BE SUBJECT TO LEGAL ACTION.	CLIENT: CAROLINA CARPORTS	SHT. 5C	DWG. NO: SK-3	JOB NO: 15156S 16135S REV: 6

EXPOSURE B (140 MPH)



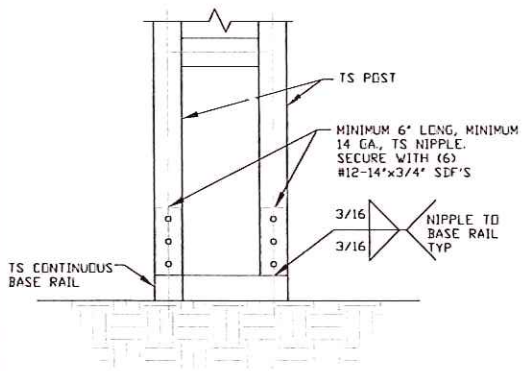
1A BOX EAVE RAFTER COLUMN CONNECTION DETAIL FOR HEIGHT 20'

SCALE: NTS



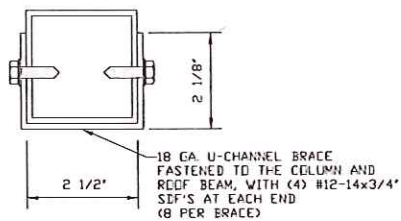
1B BOX EAVE RAFTER COLUMN CONNECTION DETAIL FOR HEIGHT 14' < TO <= 16'

SCALE: NTS



2 POST/BASE RAIL CONNECTION DETAIL

SCALE: NTS



BRACE SECTION

SCALE: NTS

MOORE AND ASSOCIATES ENGINEERING AND CONSULTING, INC.

DRAWN BY: JRS

CHECKED BY: PDH

PROJECT MGR: WSH

CLIENT: CAROLINA CARPORTS

CAROLINA CARPORTS, INC.
187 CARDINAL RIDGE TRAIL
DOBSON, NC 27017
30'x20' ENCLOSED STRUCTURE

DATE: 4-6-17

SHT. 5D

SCALE: NTS

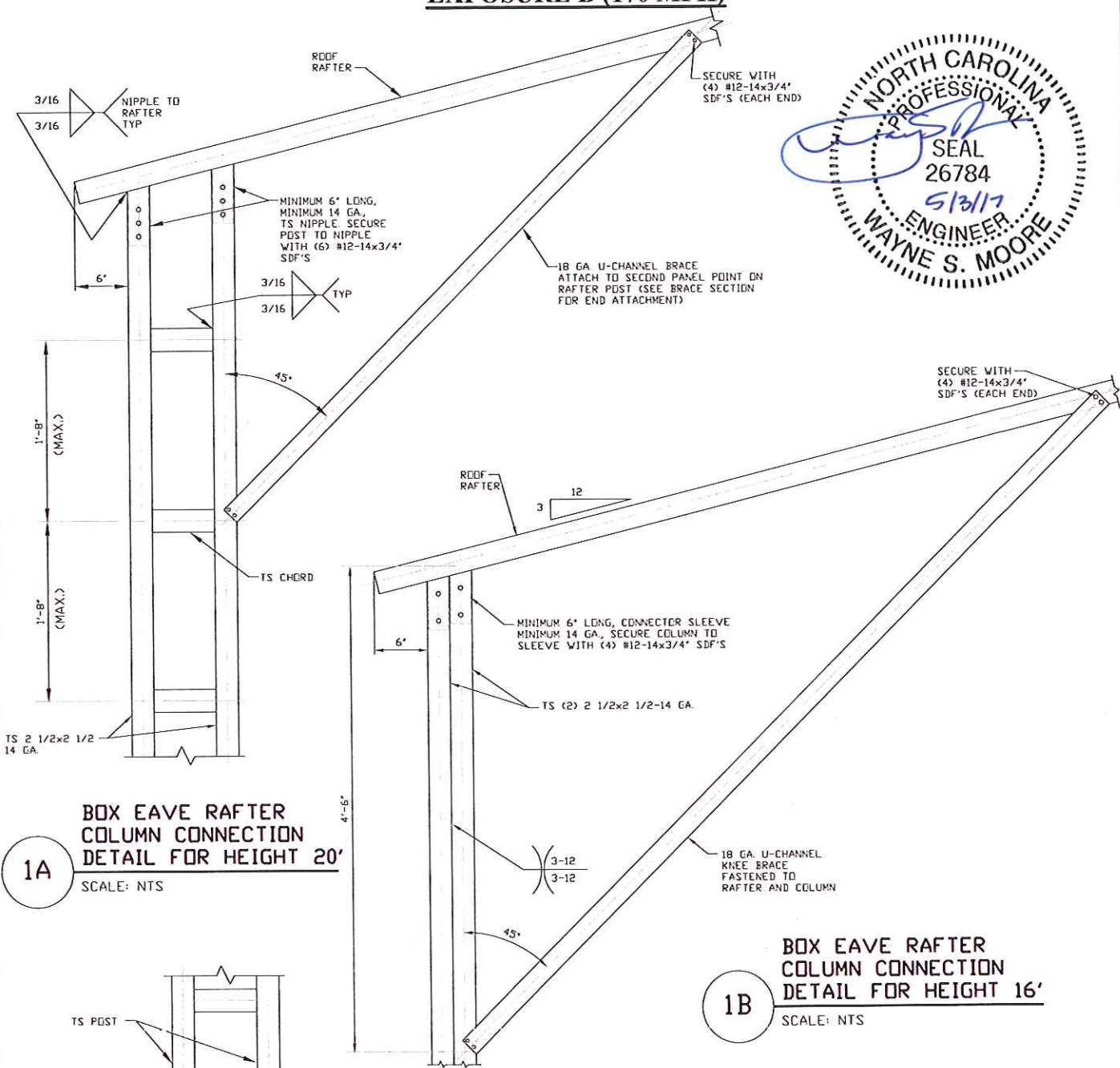
DWG. NO: SK-3

JOB NO: 15156S
16135S

REV: 6

THIS DOCUMENT IS THE PROPERTY OF MOORE AND ASSOCIATES ENGINEERING AND CONSULTING. THE UNAUTHORIZED REPRODUCTION, COPYING, OR OTHERWISE USE OF THIS DOCUMENT IS STRICTLY PROHIBITED AND ANY INFRINGEMENT THEREUPON MAY BE SUBJECT TO LEGAL ACTION.

EXPOSURE B (170 MPH)



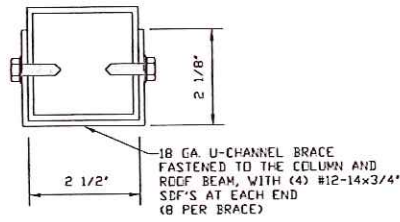
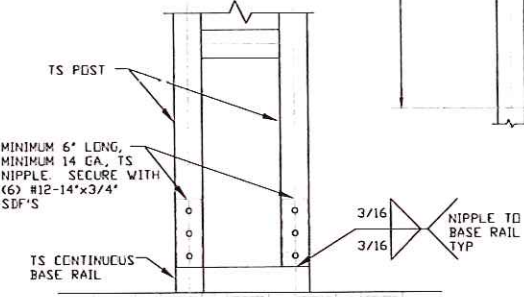
1A

1B

2

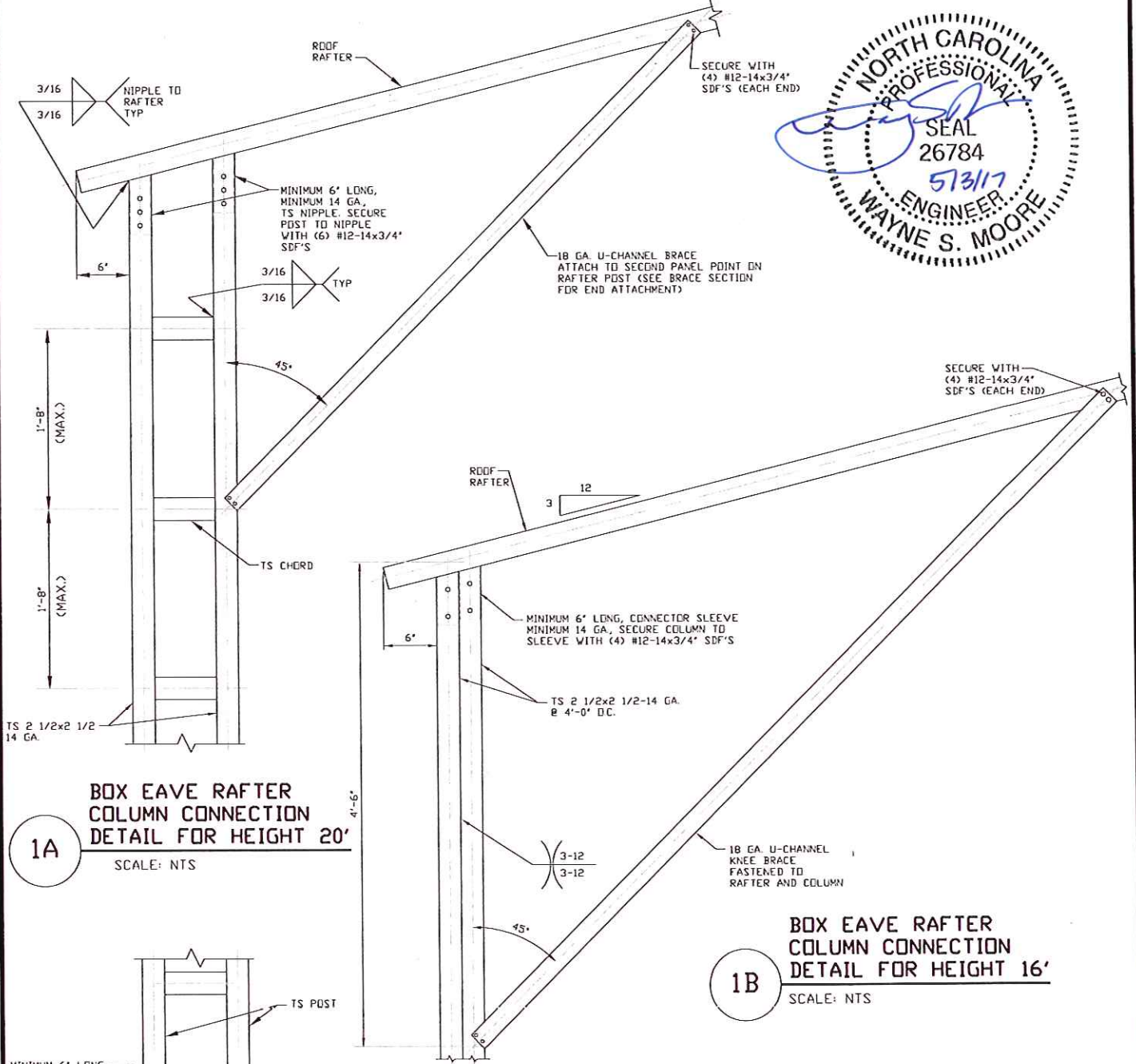
POST/BASE RAIL CONNECTION DETAIL
 SCALE: NTS

BRACE SECTION
 SCALE: NTS



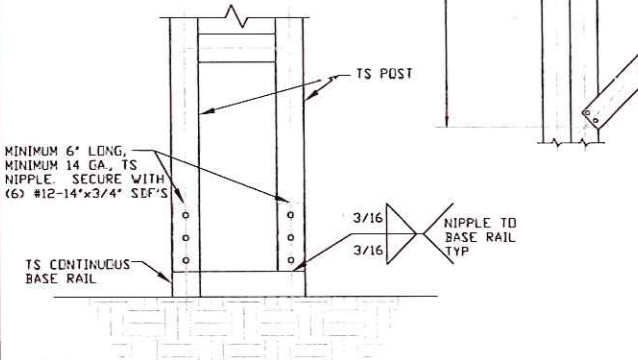
MOORE AND ASSOCIATES ENGINEERING AND CONSULTING, INC.	DRAWN BY: JRS		CAROLINA CARPORTS, INC. 187 CARDINAL RIDGE TRAIL DOBSON, NC 27017 30'x20' ENCLOSED STRUCTURE		
	CHECKED BY: PDH				
THIS DOCUMENT IS THE PROPERTY OF MOORE AND ASSOCIATES ENGINEERING AND CONSULTING. THE UNAUTHORIZED REPRODUCTION, COPYING, OR OTHERWISE USE OF THIS DOCUMENT IS STRICTLY PROHIBITED AND ANY INFRINGEMENT THEREUPON MAY BE SUBJECT TO LEGAL ACTION.	PROJECT MGR: VSM	DATE: 4-6-17	SCALE: NTS	JOB NO: 15156S 16135S	
	CLIENT: CAROLINA CARPORTS	SHT. 5E	DWG. NO: SK-3	REV: 6	

EXPOSURE C (140 MPH)

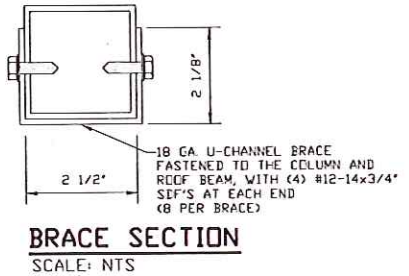


1A BOX EAVE RAFTER COLUMN CONNECTION
DETAIL FOR HEIGHT 20'
SCALE: NTS

1B BOX EAVE RAFTER COLUMN CONNECTION
DETAIL FOR HEIGHT 16'
SCALE: NTS



2 POST/BASE RAIL CONNECTION DETAIL
SCALE: NTS

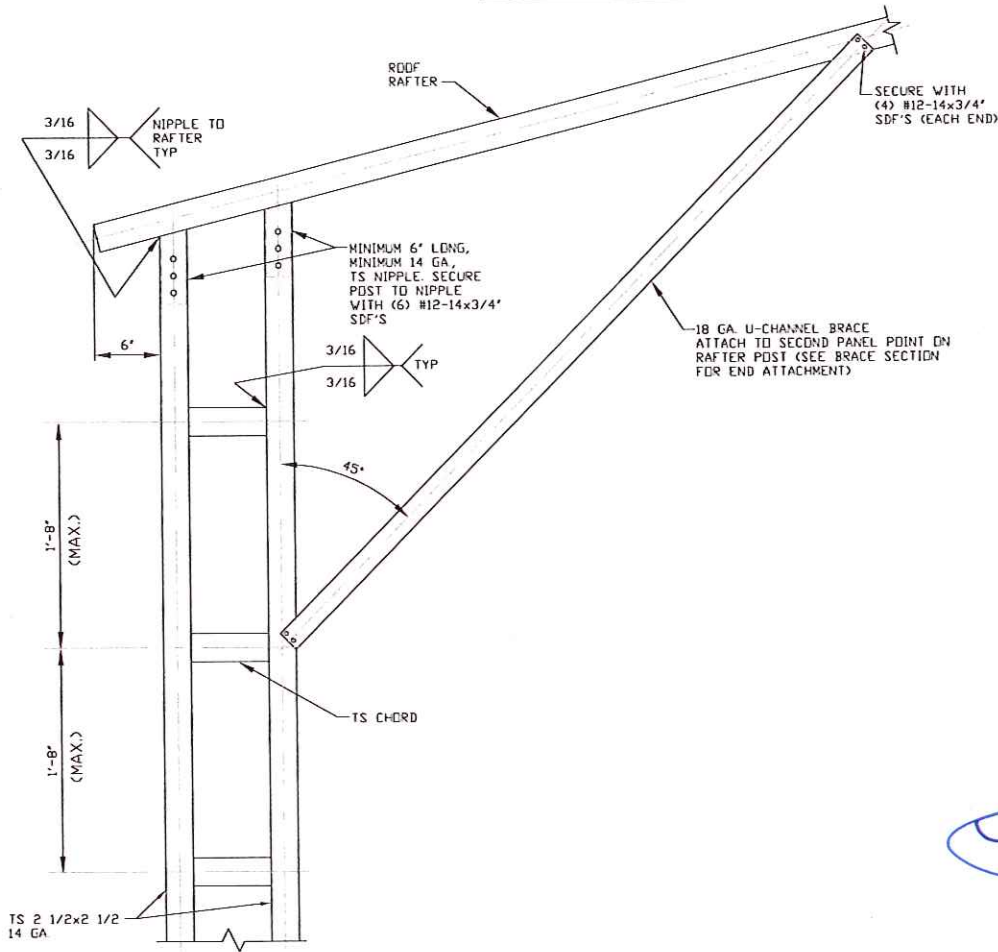


BRACE SECTION
SCALE: NTS

MOORE AND ASSOCIATES ENGINEERING AND CONSULTING, INC.		DRAWN BY: JRS		CAROLINA CARPORTS, INC. 187 CARDINAL RIDGE TRAIL DOBSON, NC 27017 30'x20' ENCLOSED STRUCTURE	
		CHECKED BY: PDH			
PROJECT MGR: WSH		DATE: 4-6-17	SCALE: NTS	JOB NO: 15156S 16135S	
CLIENT: CAROLINA CARPORTS		SHT. 5F	DWG. NO: SK-3	REV: 6	

THIS DOCUMENT IS THE PROPERTY OF MOORE AND ASSOCIATES ENGINEERING AND CONSULTING. THE UNAUTHORIZED REPRODUCTION, COPYING, OR OTHERWISE USE OF THIS DOCUMENT IS STRICTLY PROHIBITED AND ANY INFRINGEMENT THEREUPON MAY BE SUBJECT TO LEGAL ACTION.

EXPOSURE C (170 MPH)

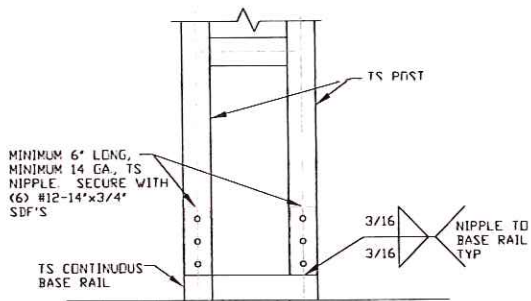


BOX EAVE RAFTER COLUMN CONNECTION DETAIL FOR HEIGHT 16' ≤ W ≤ 20'

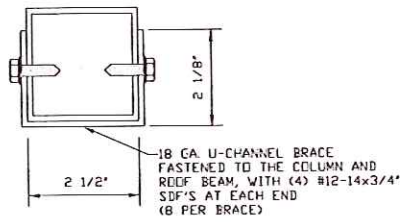
1A
SCALE: NTS

BOX EAVE RAFTER COLUMN CONNECTION DETAIL FOR HEIGHT 16'

1B
SCALE: NTS



2 POST/BASE RAIL CONNECTION DETAIL
SCALE: NTS



BRACE SECTION
SCALE: NTS

**MOORE AND ASSOCIATES
ENGINEERING AND CONSULTING, INC.**

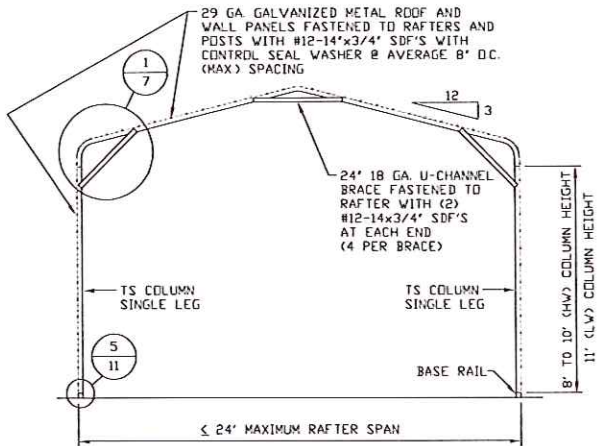
DRAWN BY: JRS
CHECKED BY: PDH

CAROLINA CARPORTS, INC.
187 CARDINAL RIDGE TRAIL
DOBSON, NC 27017
30'x20' ENCLOSED STRUCTURE

THIS DOCUMENT IS THE PROPERTY OF MOORE AND ASSOCIATES ENGINEERING AND CONSULTING. THE UNAUTHORIZED REPRODUCTION, COPYING, OR OTHERWISE USE OF THIS DOCUMENT IS STRICTLY PROHIBITED AND ANY INFRINGEMENT THEREUPON MAY BE SUBJECT TO LEGAL ACTION.

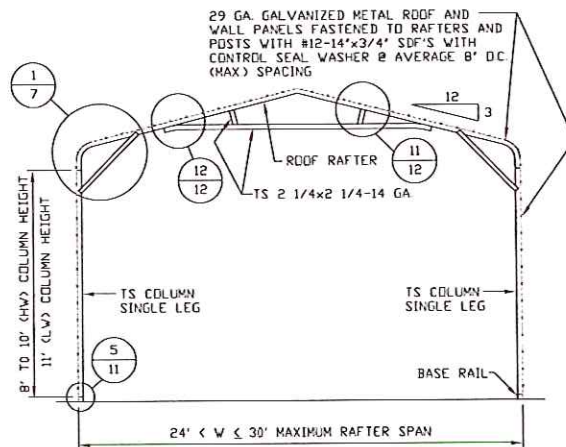
PROJECT MGR: VSM	DATE: 4-6-17	SCALE: NTS	JOB NO: 151565 161355
CLIENT: CAROLINA CARPORTS	SHT. 5G	DWG. NO: SK-3	REV: 6

EXPOSURE B



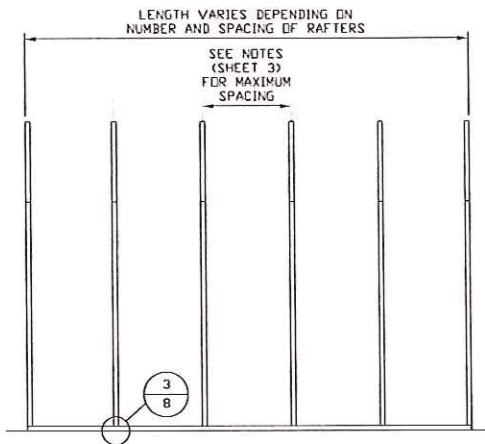
TYPICAL RAFTER/COLUMN END FRAME SECTION

SCALE: NTS



TYPICAL RAFTER/COLUMN END FRAME SECTION

SCALE: NTS



TYPICAL RAFTER/COLUMN FRAMING SIDE SECTION

SCALE: NTS



**MOORE AND ASSOCIATES
ENGINEERING AND CONSULTING, INC.**

DRAWN BY: JRS

CHECKED BY: PDH

PROJECT MGR: WSM

CLIENT: CAROLINA
CARPORTS

CAROLINA CARPORTS, INC.
187 CARDINAL RIDGE TRAIL
DOBSON, NC 27017
30'x20' ENCLOSED STRUCTURE

DATE: 4-6-17

SCALE: NTS

SHT. 6

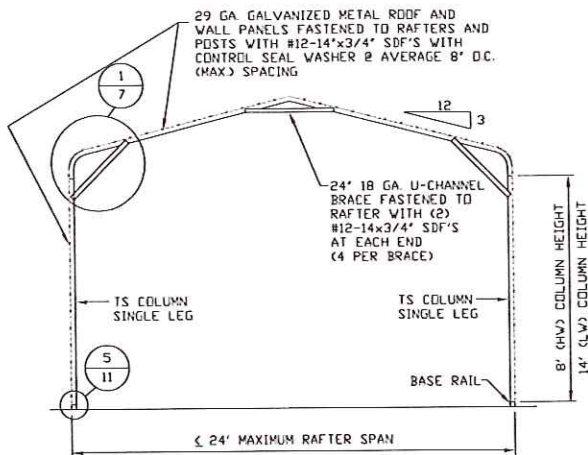
DWG. NO: SK-3

JOB NO: 15156S
16135S

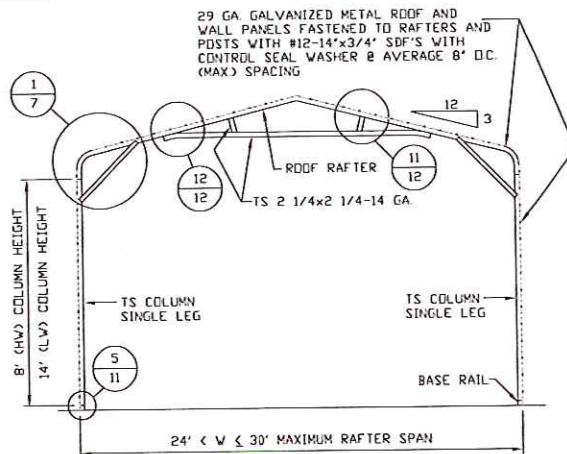
REV.: 6

THIS DOCUMENT IS THE PROPERTY OF MOORE AND ASSOCIATES ENGINEERING AND CONSULTING. THE UNAUTHORIZED REPRODUCTION, COPYING, OR OTHERWISE USE OF THIS DOCUMENT IS STRICTLY PROHIBITED AND ANY INFRINGEMENT THEREUPON MAY BE SUBJECT TO LEGAL ACTION.

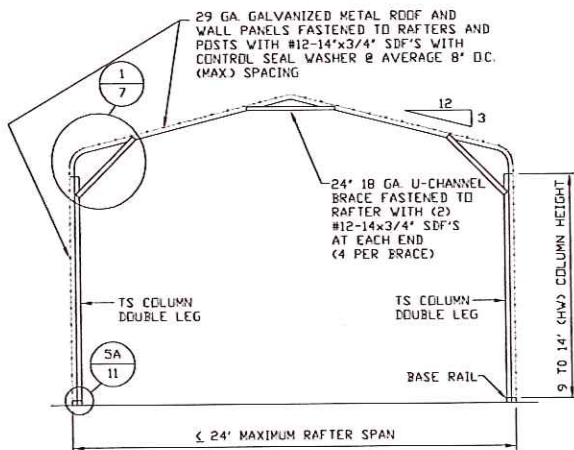
EXPOSURE C



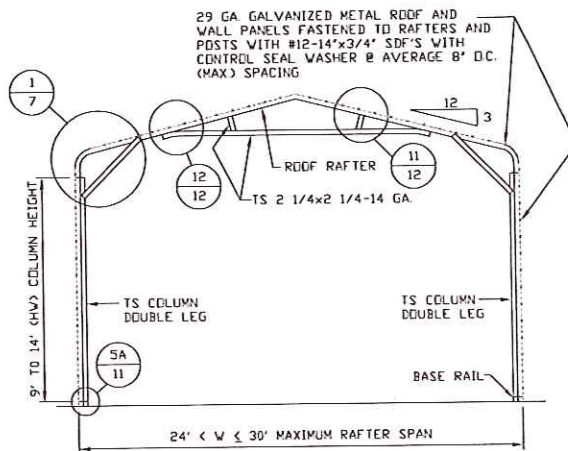
TYPICAL RAFTER/COLUMN END FRAME SECTION
SCALE: NTS



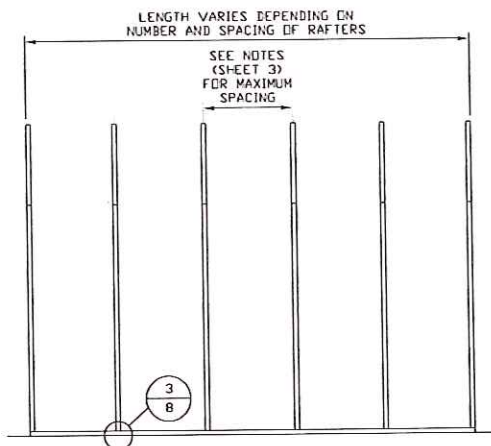
TYPICAL RAFTER/COLUMN END FRAME SECTION
SCALE: NTS



TYPICAL RAFTER/COLUMN END FRAME SECTION
SCALE: NTS



TYPICAL RAFTER/COLUMN END FRAME SECTION
SCALE: NTS



TYPICAL RAFTER/COLUMN FRAMING SIDE SECTION
SCALE: NTS



**MOORE AND ASSOCIATES
ENGINEERING AND CONSULTING, INC.**

DRAWN BY: JRS
CHECKED BY: PDH

CAROLINA CARPORTS, INC.
187 CARDINAL RIDGE TRAIL
DOBSON, NC 27017
30'x20' ENCLOSED STRUCTURE

THIS DOCUMENT IS THE PROPERTY OF MOORE AND ASSOCIATES ENGINEERING AND CONSULTING. THE UNAUTHORIZED REPRODUCTION, COPYING, OR OTHERWISE USE OF THIS DOCUMENT IS STRICTLY PROHIBITED AND ANY INFRINGEMENT THEREUPON MAY BE SUBJECT TO LEGAL ACTION.

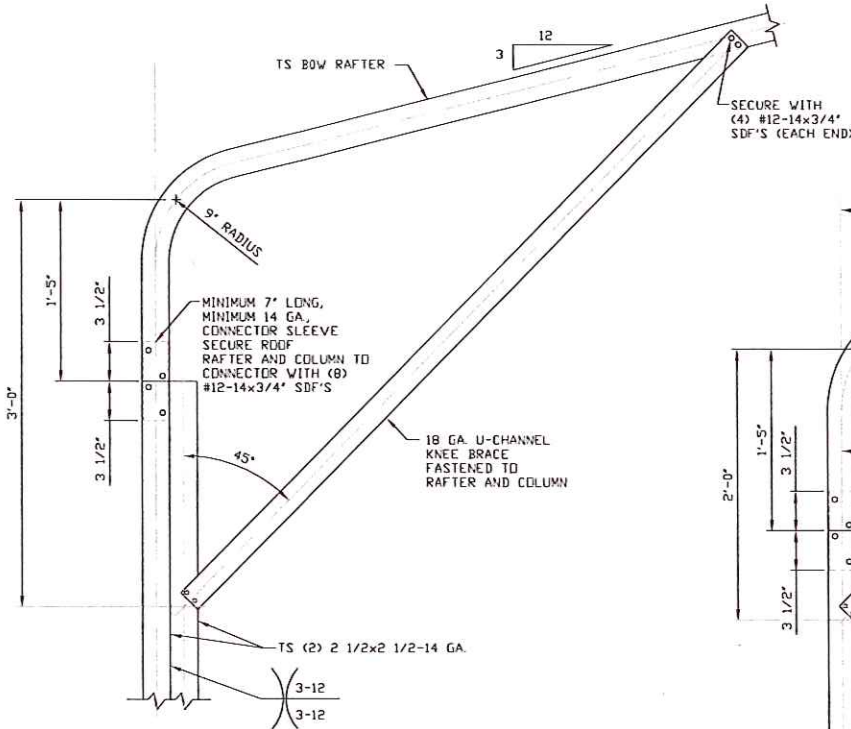
PROJECT MGR: WSH
CLIENT: CAROLINA CARPORTS

DATE: 4-6-17
SHT. 6A

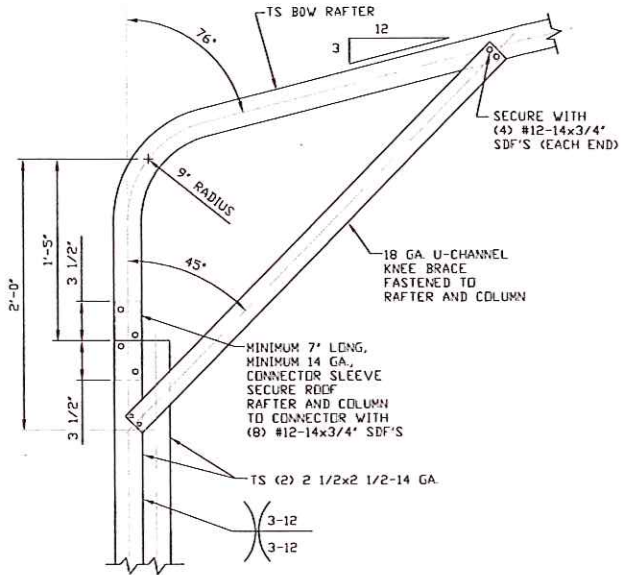
SCALE: NTS
DWG. NO: SK-3

**JOB NO: 15156S
16135S**
REV: 6

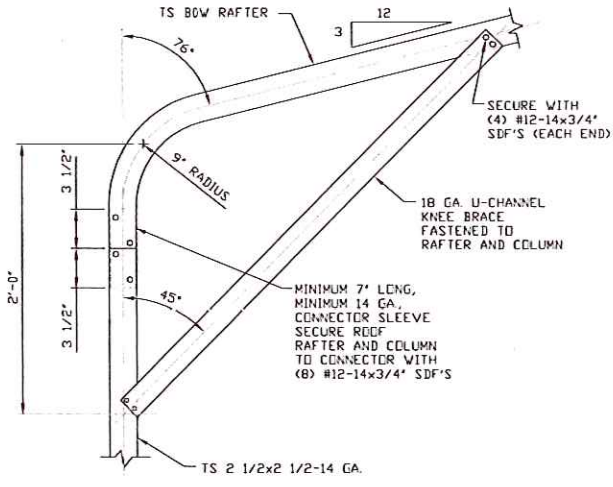
EXPOSURE B (140 MPH)



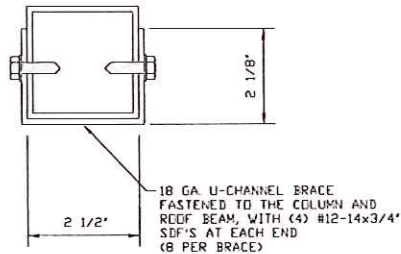
1A
BOX EAVE RAFTER COLUMN CONNECTION DETAIL FOR HEIGHTS 12' < TO <= 14'
 SCALE: NTS



1B
BOX EAVE RAFTER COLUMN CONNECTION DETAIL FOR HEIGHTS 11' < TO <= 12'
 SCALE: NTS



1C
BOX EAVE RAFTER COLUMN CONNECTION DETAIL FOR HEIGHTS <= 11'
 SCALE: NTS



BRACE SECTION
 SCALE: NTS

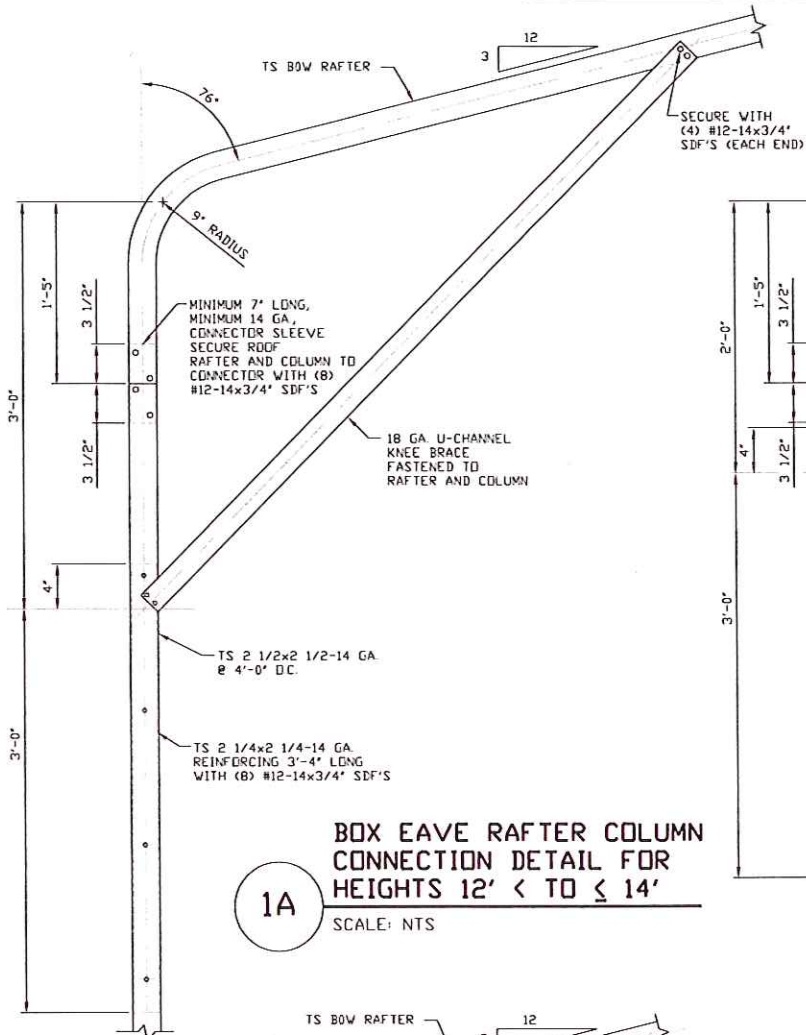


MOORE AND ASSOCIATES ENGINEERING AND CONSULTING, INC.

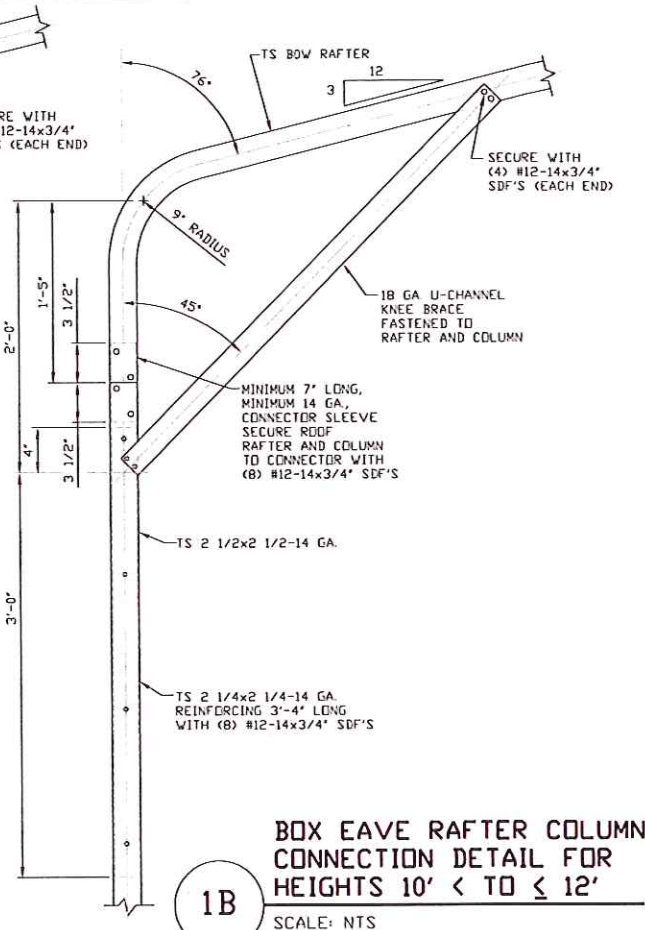
DRAWN BY: JRS		CAROLINA CARPORTS, INC. 187 CARDINAL RIDGE TRAIL DOBSON, NC 27017 30'x20' ENCLOSED STRUCTURE	
CHECKED BY: PDH		DATE: 4-6-17	SCALE: NTS
PROJECT MGR: WSH	CLIENT: CAROLINA CARPORTS	SHT. 7	DWG. NO: SK-3
		JOB NO: 15156S 16135S	REV: 6

THIS DOCUMENT IS THE PROPERTY OF MOORE AND ASSOCIATES ENGINEERING AND CONSULTING. THE UNAUTHORIZED REPRODUCTION, COPYING, OR OTHERWISE USE OF THIS DOCUMENT IS STRICTLY PROHIBITED AND ANY INFRINGEMENT THEREUPON MAY BE SUBJECT TO LEGAL ACTION.

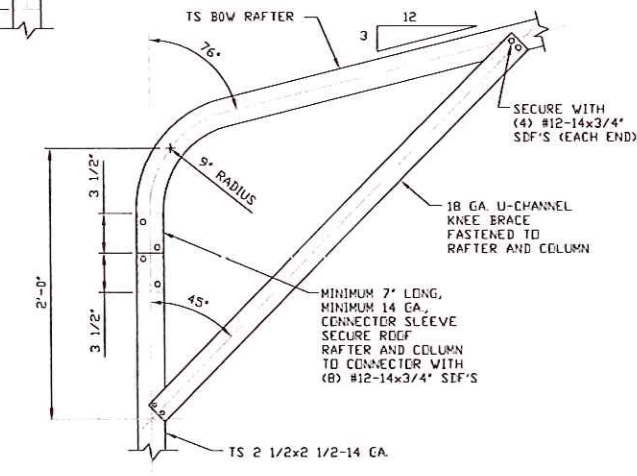
EXPOSURE C (140 MPH)



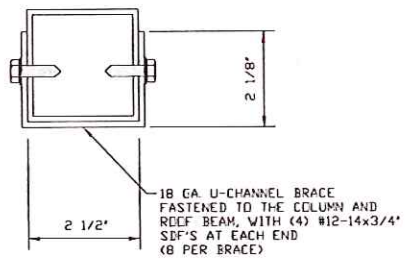
1A
BOX EAVE RAFTER COLUMN CONNECTION DETAIL FOR HEIGHTS 12' < TO <= 14'
 SCALE: NTS



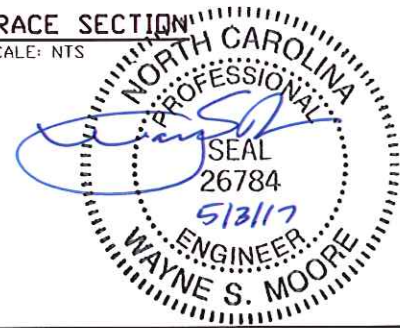
1B
BOX EAVE RAFTER COLUMN CONNECTION DETAIL FOR HEIGHTS 10' < TO <= 12'
 SCALE: NTS



1C
BOX EAVE RAFTER COLUMN CONNECTION DETAIL FOR HEIGHTS <= 10'
 SCALE: NTS



BRACE SECTION
 SCALE: NTS



MOORE AND ASSOCIATES ENGINEERING AND CONSULTING, INC.

DRAWN BY: JRS
CHECKED BY: PDH

CAROLINA CARPORTS, INC.
 187 CARDINAL RIDGE TRAIL
 DOBSON, NC 27017
 30'x20' ENCLOSED STRUCTURE

THIS DOCUMENT IS THE PROPERTY OF MOORE AND ASSOCIATES ENGINEERING AND CONSULTING. THE UNAUTHORIZED REPRODUCTION, COPYING, OR OTHERWISE USE OF THIS DOCUMENT IS STRICTLY PROHIBITED AND ANY INFRINGEMENT THEREUPON MAY BE SUBJECT TO LEGAL ACTION.

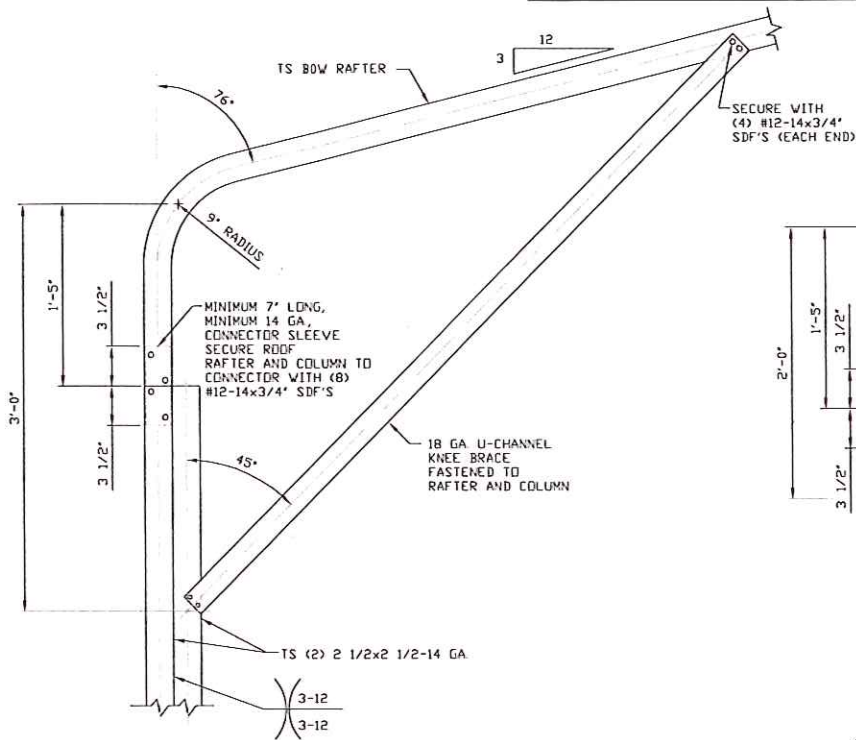
PROJECT MGR: WSH
CLIENT: CAROLINA CARPORTS

DATE: 4-6-17
SHT. 7B

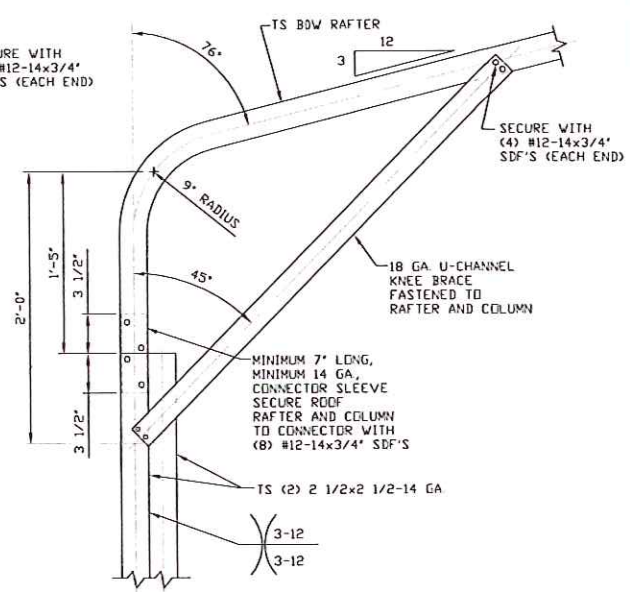
SCALE: NTS
DWG. NO: SK-3

JOB NO: 15156S
16135S
REV: 6

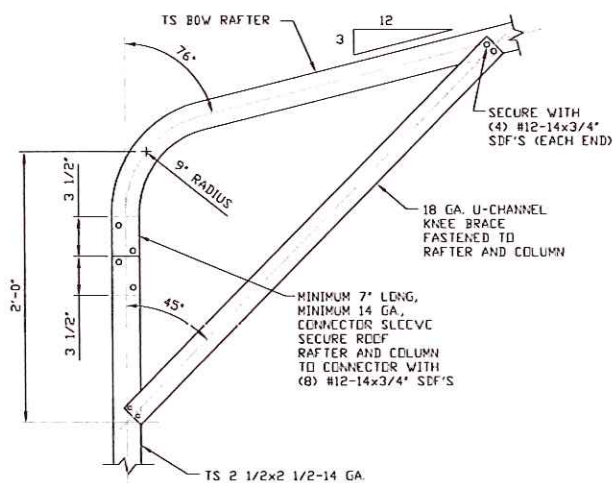
EXPOSURE C (170 MPH)



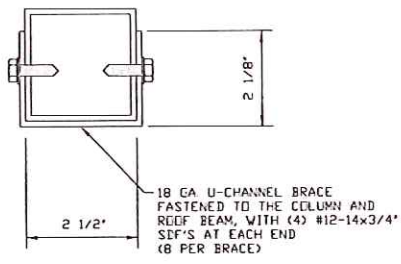
1A
 BOX EAVE RAFTER COLUMN CONNECTION DETAIL FOR HEIGHTS 12' < TO <= 14'
 SCALE: NTS



1B
 BOX EAVE RAFTER COLUMN CONNECTION DETAIL FOR HEIGHTS 8' < TO <= 12'
 SCALE: NTS



1C
 BOX EAVE RAFTER COLUMN CONNECTION DETAIL FOR HEIGHTS <= 8'
 SCALE: NTS



BRACE SECTION
 SCALE: NTS

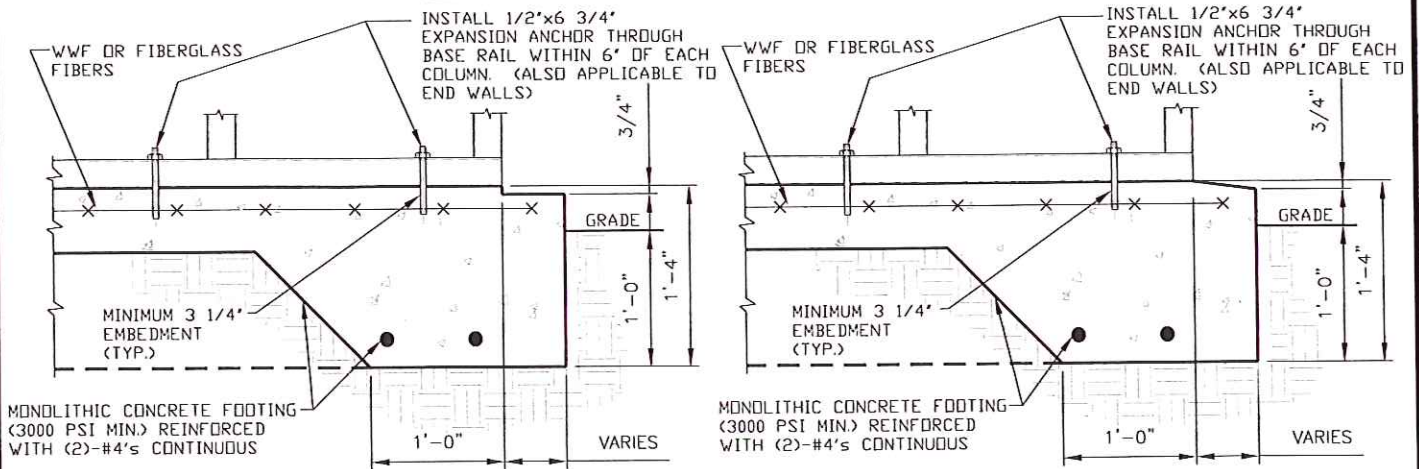


MOORE AND ASSOCIATES ENGINEERING AND CONSULTING, INC.

DRAWN BY: JRS		CAROLINA CARPORTS, INC. 187 CARDINAL RIDGE TRAIL DOBSON, NC 27017 30'x20' ENCLOSED STRUCTURE	
CHECKED BY: PDH		DATE: 4-6-17	SCALE: NTS
PROJECT MGR: WSH	CLIENT: CAROLINA CARPORTS	SHT. 7C	JOB NO: 15156S 16135S
		DWG. NO: SK-3	REV: 6

THIS DOCUMENT IS THE PROPERTY OF MOORE AND ASSOCIATES ENGINEERING AND CONSULTING. THE UNAUTHORIZED REPRODUCTION, COPYING, OR OTHERWISE USE OF THIS DOCUMENT IS STRICTLY PROHIBITED AND ANY INFRINGEMENT THEREUPON MAY BE SUBJECT TO LEGAL ACTION.

BASE RAIL ANCHORAGE OPTIONS



**3A CONCRETE MONOLITHIC SLAB
BASE RAIL ANCHORAGE**
SCALE: NTS
(MINIMUM ANCHOR EDGE DISTANCE IS 4")

**3B CONCRETE SLAB BASE
RAIL ANCHORAGE**
SCALE: NTS
(MINIMUM ANCHOR EDGE DISTANCE IS 4")

GENERAL NOTES

CONCRETE:
CONCRETE SHALL HAVE A MINIMUM SPECIFIED COMPRESSIVE STRENGTH OF 3,000 PSI AT 28 DAYS.

COVER OVER REINFORCING STEEL:
FOR FOUNDATIONS, MINIMUM CONCRETE COVER OVER REINFORCING BARS SHALL BE PER ACI-318: 3" IN FOUNDATIONS WHERE THE CONCRETE IS CAST AGAINST AND PERMANENTLY IN CONTACT WITH THE EARTH OR EXPOSED TO THE EARTH OR WEATHER, AND 1 1/2" ELSEWHERE.

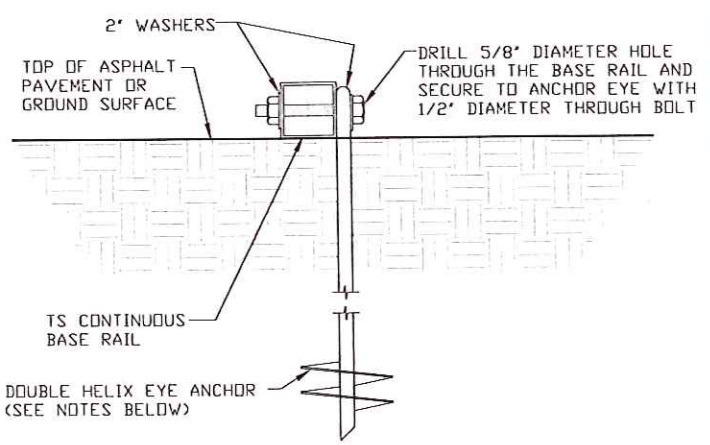
REINFORCING STEEL:
THE TURNDOWN REINFORCING STEEL SHALL BE ASTM A615 GRADE 60. THE SLAB REINFORCEMENT SHALL BE WELDED WIRE FABRIC MEETING ASTM A185 OR FIBERGLASS FIBER REINFORCEMENT.

REINFORCEMENT MAY BE BENT IN THE SHOP OR THE FIELD PROVIDED:

1. REINFORCEMENT IS BENT COLD.
2. THE DIAMETER OF THE BEND, MEASURED ON THE INSIDE OF THE BAR, IS NOT LESS THAN SIX-BAR DIAMETERS.
3. REINFORCEMENT PARTIALLY EMBEDDED IN CONCRETE SHALL NOT BE FIELD BENT.

HELIX ANCHOR NOTES:

1. FOR VERY DENSE AND/OR CEMENTED SANDS, COARSE GRAVEL AND COBBLES, CALICHE, PRELOADED SILTS AND CLAYS, USE MINIMUM (2) 4" HELICES WITH MINIMUM 30" EMBEDMENT OR SINGLE 6" HELIX WITH MINIMUM 50" EMBEDMENT
2. FOR CORAL USE MINIMUM (2) 4" HELICES WITH MINIMUM 30" EMBEDMENT OR SINGLE 6" HELIX WITH MINIMUM 50" EMBEDMENT.
3. FOR MEDIUM DENSE COARSE SANDS, SANDY GRAVELS, VERY STIFF SILTS, AND CLAYS USE MINIMUM (2) 4" HELICES WITH MINIMUM 30 INCH EMBEDMENT OR SINGLE 6" HELIX WITH MINIMUM 50" EMBEDMENT.
4. FOR LOOSE TO MEDIUM DENSE SANDS, FIRM TO STIFF CLAYS AND SILTS ALLUVIAL FILL, USE MINIMUM (2) 6" HELICES WITH MINIMUM 50" EMBEDMENT.
5. FOR VERY LOSE TO MEDIUM DENSE SANDS, FIRM TO STIFFER CLAYS AND SILTS, ALLUVIAL FILL, USE MINIMUM (2) 8" HELICES WITH MINIMUM 60" EMBEDMENT.

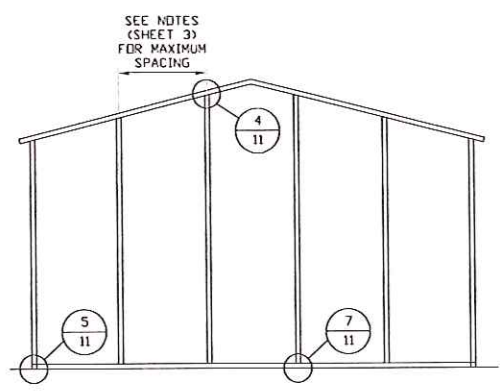


3C GROUND BASE HELIX ANCHORAGE
SCALE: NTS (CAN BE USED FOR ASPHALT)

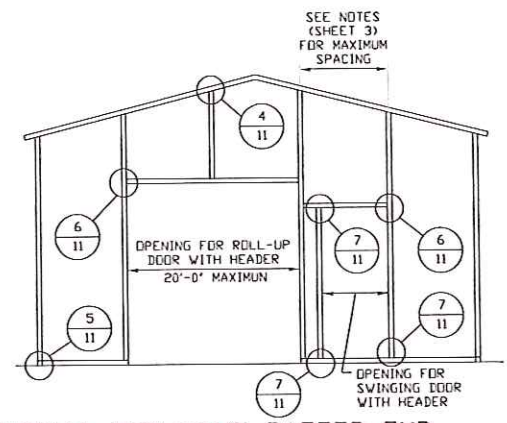


MOORE AND ASSOCIATES ENGINEERING AND CONSULTING, INC.	DRAWN BY: JRS	CAROLINA CARPORTS, INC. 187 CARDINAL RIDGE TRAIL DOBSON, NC 27017 30'x20' ENCLOSED STRUCTURE		
	CHECKED BY: PDH	PROJECT MGR: WSH	DATE: 4-6-17	SCALE: NTS
THIS DOCUMENT IS THE PROPERTY OF MOORE AND ASSOCIATES ENGINEERING AND CONSULTING. THE UNAUTHORIZED REPRODUCTION, COPYING, OR OTHERWISE USE OF THIS DOCUMENT IS STRICTLY PROHIBITED AND ANY INFRINGEMENT THEREUPON MAY BE SUBJECT TO LEGAL ACTION.	CLIENT: CAROLINA CARPORTS	SHT. 8	DWG. NO: SK-3	JOB NO: 15156S 16135S
				REV: 6

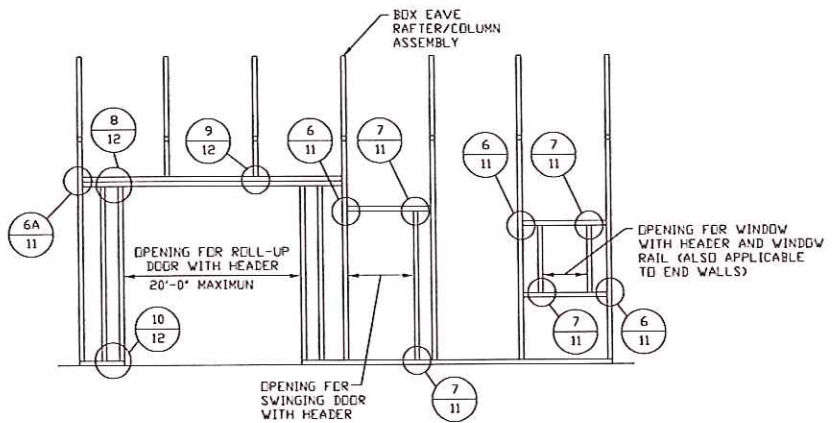
BOX EAVE RAFTER END WALL AND SIDE WALL OPENINGS



**TYPICAL BOX EAVE RAFTER
END WALL FRAMING SECTION**
SCALE: NTS



**TYPICAL BOX EAVE RAFTER END
WALL OPENINGS FRAMING SECTION**
SCALE: NTS

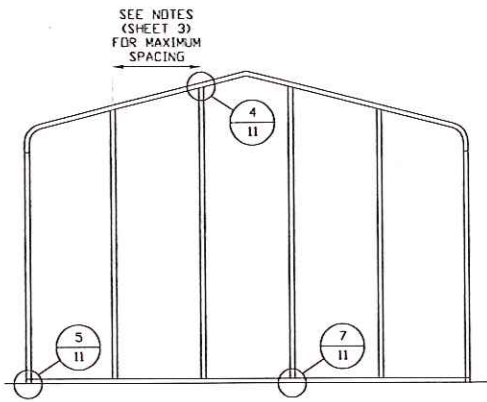


**TYPICAL BOX EAVE RAFTER
SIDE WALL OPENINGS FRAMING SECTION**
SCALE: NTS

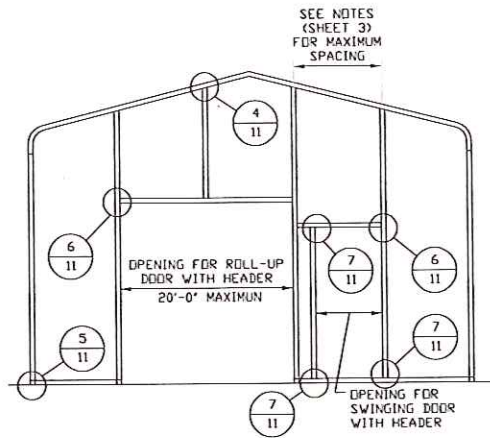


MOORE AND ASSOCIATES ENGINEERING AND CONSULTING, INC.	DRAWN BY: JRS	CAROLINA CARPORTS, INC. 187 CARDINAL RIDGE TRAIL DOBSON, NC 27017 30'x20' ENCLOSED STRUCTURE		
	CHECKED BY: PDH	DATE: 4-6-17	SCALE: NTS	JOB NO: 15156S 16135S
THIS DOCUMENT IS THE PROPERTY OF MOORE AND ASSOCIATES ENGINEERING AND CONSULTING. THE UNAUTHORIZED REPRODUCTION, COPYING, OR OTHERWISE USE OF THIS DOCUMENT IS STRICTLY PROHIBITED AND ANY INFRINGEMENT THEREUPON MAY BE SUBJECT TO LEGAL ACTION.	PROJECT MGR: WSH	SHT. 9	DWG. NO: SK-3	REV: 6
	CLIENT: CAROLINA CARPORTS			

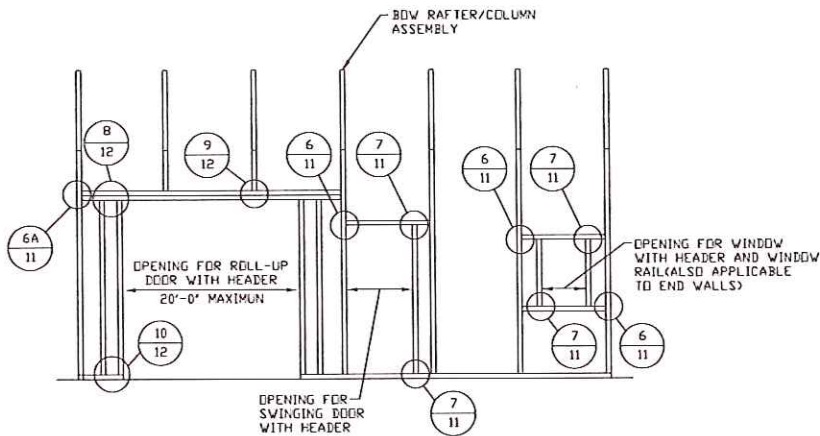
BOW RAFTER END WALL AND SIDE WALL OPENINGS



**TYPICAL BOW RAFTER
END WALL FRAMING SECTION**
SCALE: NTS



**TYPICAL BOW RAFTER END
WALL OPENINGS FRAMING SECTION**
SCALE: NTS



**TYPICAL BOW RAFTER SIDE
WALL OPENINGS FRAMING SECTION**
SCALE: NTS



**MOORE AND ASSOCIATES
ENGINEERING AND CONSULTING, INC.**

DRAWN BY: JRS

CHECKED BY: PDH

PROJECT MGR: WSH

**CLIENT: CAROLINA
CARPORTS**

CAROLINA CARPORTS, INC.
187 CARDINAL RIDGE TRAIL
DOBSON, NC 27017
30'x20' ENCLOSED STRUCTURE

DATE: 4-6-17

SHT. 10

SCALE: NTS

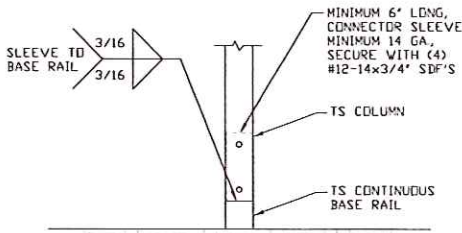
DWG. NO: SK-3

**JOB NO: 15156S
16135S**

REV: 6

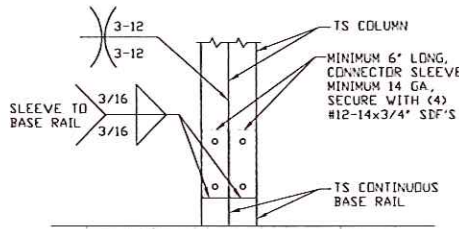
THIS DOCUMENT IS THE PROPERTY OF MOORE AND ASSOCIATES ENGINEERING AND CONSULTING. THE UNAUTHORIZED REPRODUCTION, COPYING, OR OTHERWISE USE OF THIS DOCUMENT IS STRICTLY PROHIBITED AND ANY INFRINGEMENT THEREUPON MAY BE SUBJECT TO LEGAL ACTION.

BOW AND BOX EAVE RAFTER WALL OPENING DETAILS

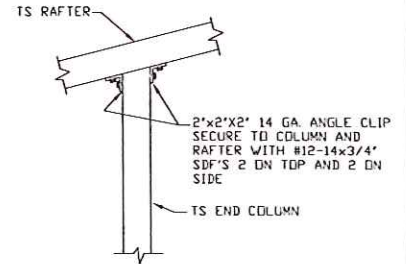


2 RAFTER COLUMN/BASE RAIL CONNECTION DETAIL

SCALE: NTS

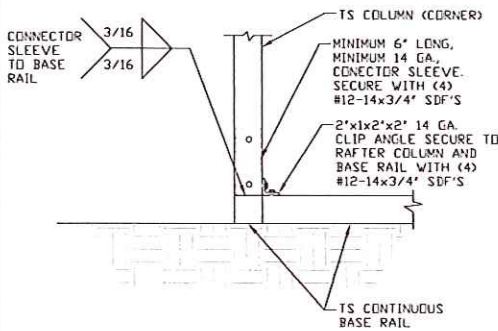


2A RAFTER COLUMN/BASE RAIL CONNECTION DETAIL



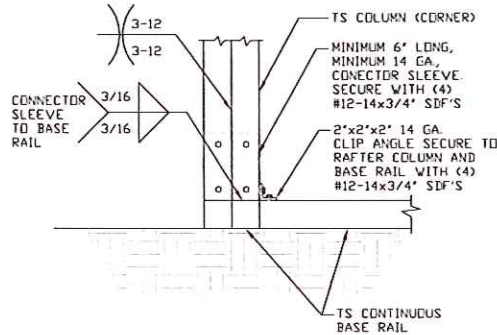
4 END COLUMN/RAFTER CONNECTION DETAIL

SCALE: NTS



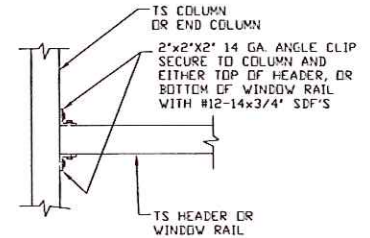
5 END COLUMN/BASE RAIL CONNECTION DETAIL

SCALE: NTS



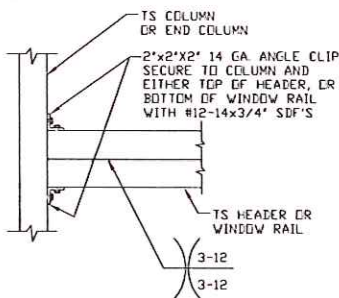
5A END COLUMN/BASE RAIL CONNECTION DETAIL

SCALE: NTS



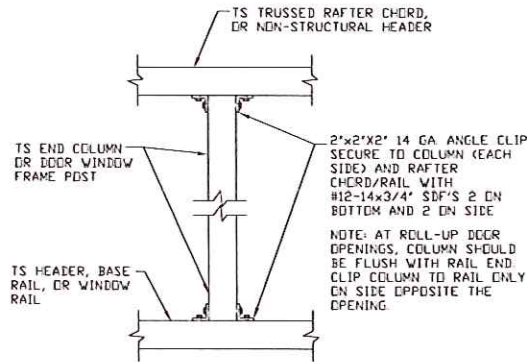
6 COLUMN OR WINDOW RAIL TO POST CONNECTION DETAIL

SCALE: NTS



6A COLUMN OR WINDOW RAIL TO POST CONNECTION DETAIL

SCALE: NTS



7 COLUMN TO HEADER, BASE RAIL, OR WINDOW RAIL CONNECTION DETAIL

SCALE: NTS



MOORE AND ASSOCIATES ENGINEERING AND CONSULTING, INC.

DRAWN BY: JRS

CHECKED BY: PDH

PROJECT MGR: WSH

CLIENT: CAROLINA CARPORTS

CAROLINA CARPORTS, INC.
187 CARDINAL RIDGE TRAIL
DOBSON, NC 27017
30'x20' ENCLOSED STRUCTURE

DATE: 4-6-17

SHT. 11

SCALE: NTS

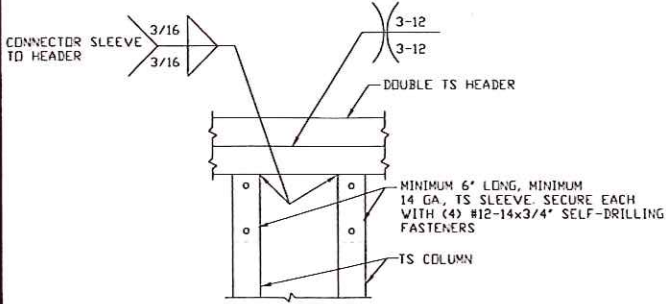
DWG. NO: SK-3

JOB NO: 15156S
16135S

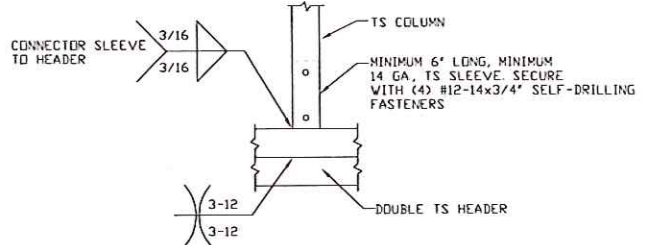
REV: 6

THIS DOCUMENT IS THE PROPERTY OF MOORE AND ASSOCIATES ENGINEERING AND CONSULTING. THE UNAUTHORIZED REPRODUCTION, COPYING, OR OTHERWISE USE OF THIS DOCUMENT IS STRICTLY PROHIBITED AND ANY INFRINGEMENT THEREUPON MAY BE SUBJECT TO LEGAL ACTION.

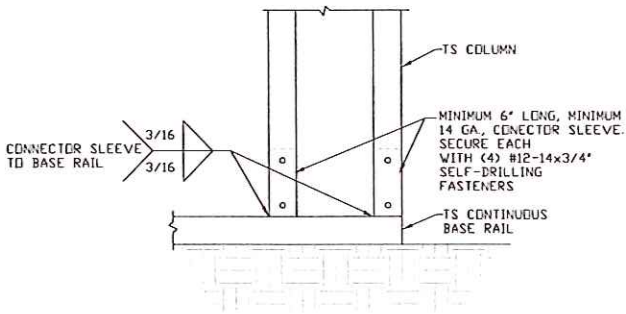
BOW AND BOX EAVE RAFTER WALL OPENING DETAILS



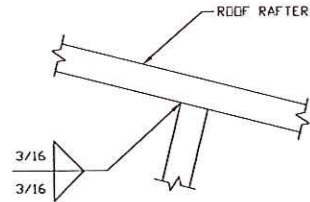
8 DOUBLE HEADER/COLUMN CONNECTION DETAIL
SCALE: NTS



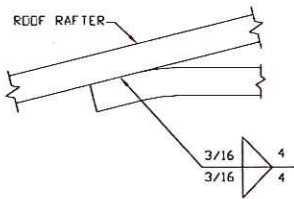
9 COLUMN/DOUBLE HEADER CONNECTION DETAIL
SCALE: NTS



10 COLUMN/BASE RAIL CONNECTION DETAIL
SCALE: NTS



11 RAFTER TO CHORD CONNECTION DETAIL
SCALE: NTS



12 COLLAR TIE CONNECTION DETAIL
SCALE: NTS



**MOORE AND ASSOCIATES
ENGINEERING AND CONSULTING, INC.**

DRAWN BY: JRS
CHECKED BY: PDH

CAROLINA CARPORTS, INC.
187 CARDINAL RIDGE TRAIL
DOBSON, NC 27017
30'x20' ENCLOSED STRUCTURE

THIS DOCUMENT IS THE PROPERTY OF MOORE AND ASSOCIATES ENGINEERING AND CONSULTING. THE UNAUTHORIZED REPRODUCTION, COPYING, OR OTHERWISE USE OF THIS DOCUMENT IS STRICTLY PROHIBITED AND ANY INFRINGEMENT THEREUPON MAY BE SUBJECT TO LEGAL ACTION.

PROJECT MGR: WSH
CLIENT: CAROLINA CARPORTS

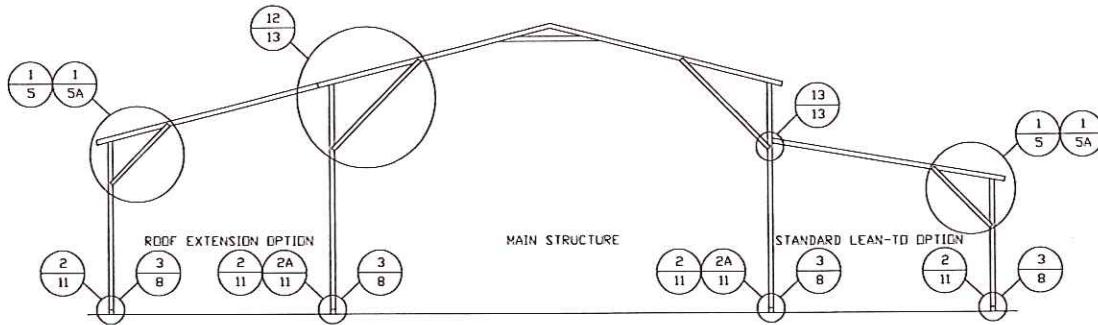
DATE: 4-6-17
SHT. 12

**JOB NO: 15156S
16135S**

SCALE: NTS
DWG. NO: SK-3

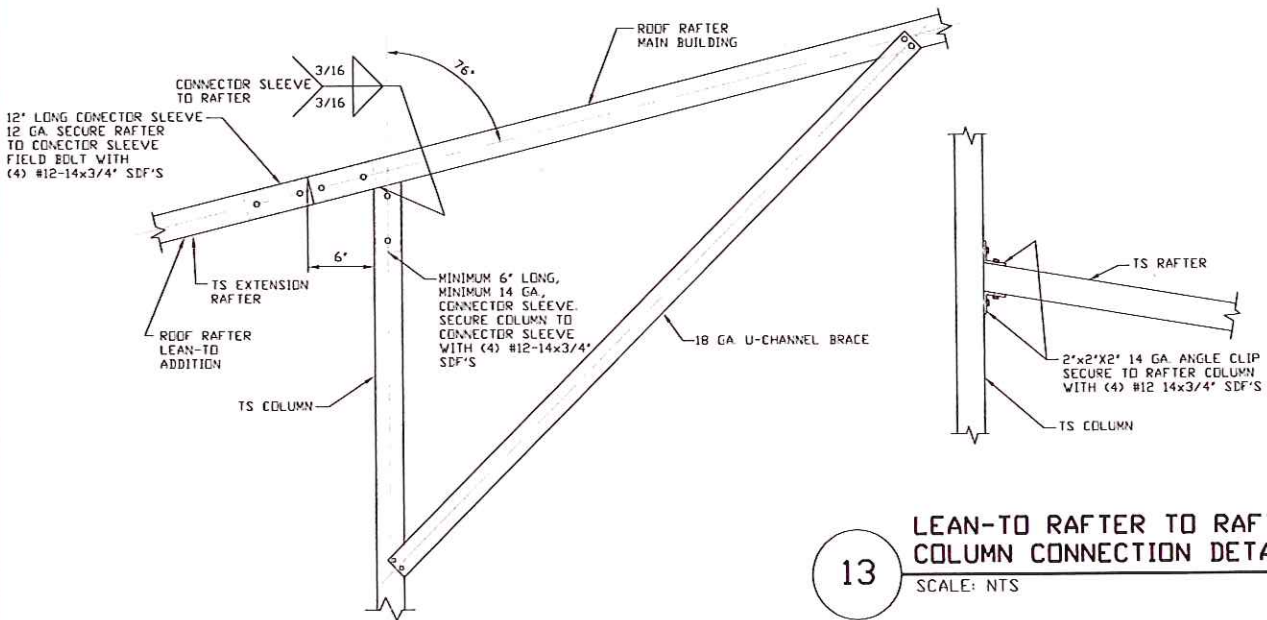
REV: 6

BOX EAVE RAFTER LEAN-TO OPTIONS



TYPICAL BOX EAVE RAFTER LEAN-TO OPTIONS FRAMING SECTION (BOTH OPTIONS SHOWN)

SCALE: NTS



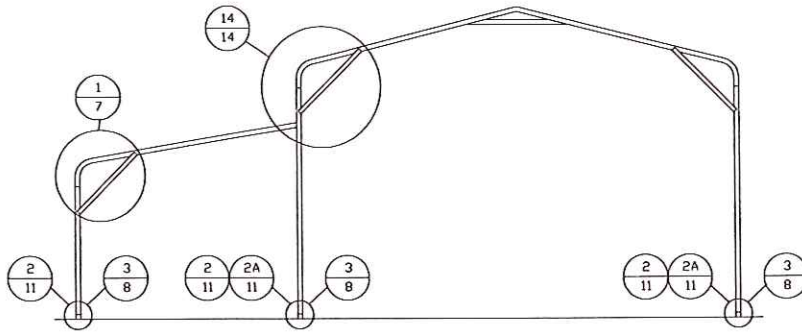
13
LEAN-TO RAFTER TO RAFTER COLUMN CONNECTION DETAIL
SCALE: NTS

12
SIDE EXTENSION RAFTER/COLUMN DETAIL
SCALE: NTS



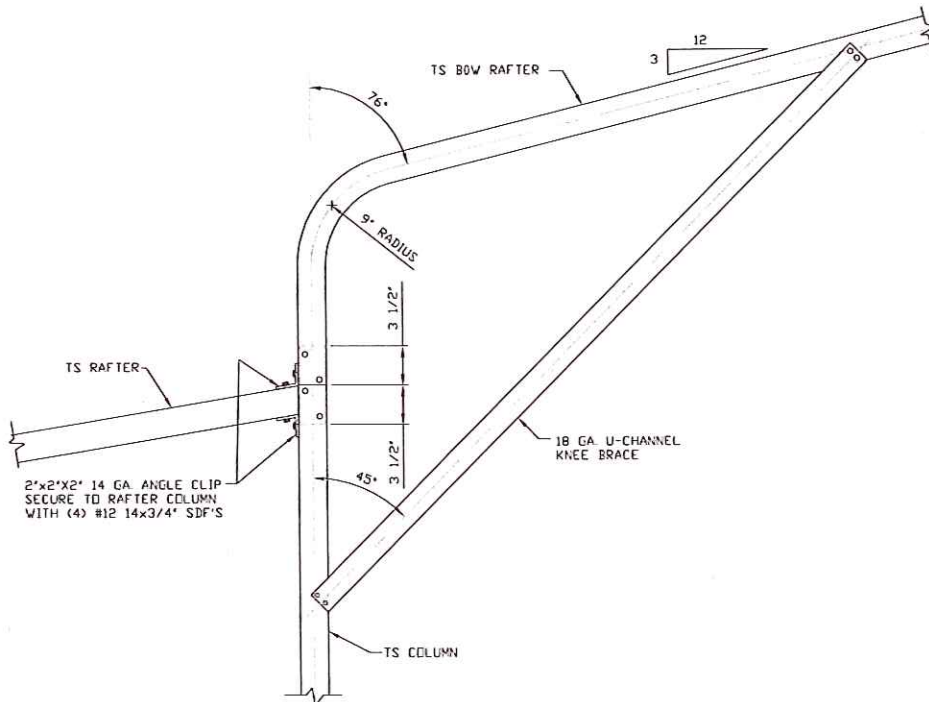
MOORE AND ASSOCIATES ENGINEERING AND CONSULTING, INC.	DRAWN BY: JRS	CAROLINA CARPORTS, INC. 187 CARDINAL RIDGE TRAIL DOBSON, NC 27017 30'x20' ENCLOSED STRUCTURE		
	CHECKED BY: PDH	PROJECT MGR: VSM	DATE: 4-6-17	SCALE: NTS
THIS DOCUMENT IS THE PROPERTY OF MOORE AND ASSOCIATES ENGINEERING AND CONSULTING. THE UNAUTHORIZED REPRODUCTION, COPYING, OR OTHERWISE USE OF THIS DOCUMENT IS STRICTLY PROHIBITED AND ANY INFRINGEMENT THEREUPON MAY BE SUBJECT TO LEGAL ACTION.	CLIENT: CAROLINA CARPORTS	SHT. 13	DWG. NO: SK-3	JOB NO: 15156S 16135S REV: 6

BOW RAFTER LEAN-TO OPTION



TYPICAL BOW RAFTER LEAN-TO OPTION FRAMING SECTION

SCALE: NTS



14 LEAN-TO RAFTER TO RAFTER COLUMN CONNECTION DETAIL
SCALE: NTS



**MOORE AND ASSOCIATES
ENGINEERING AND CONSULTING, INC.**

DRAWN BY: JRS
CHECKED BY: PDH

CAROLINA CARPORTS, INC.
187 CARDINAL RIDGE TRAIL
DOBSON, NC 27017
30'x20' ENCLOSED STRUCTURE

THIS DOCUMENT IS THE PROPERTY OF MOORE AND ASSOCIATES ENGINEERING AND CONSULTING. THE UNAUTHORIZED REPRODUCTION, COPYING, OR OTHERWISE USE OF THIS DOCUMENT IS STRICTLY PROHIBITED AND ANY INFRINGEMENT THEREUPON MAY BE SUBJECT TO LEGAL ACTION.

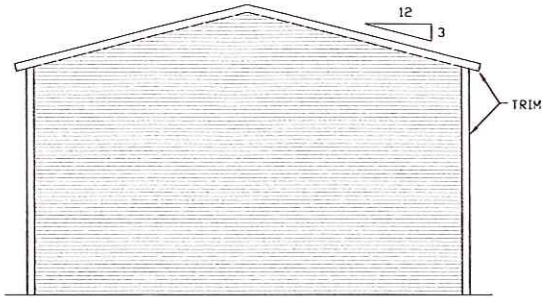
PROJECT MGR: WSH
CLIENT: CAROLINA CARPORTS

DATE: 4-6-17
SHT. 14

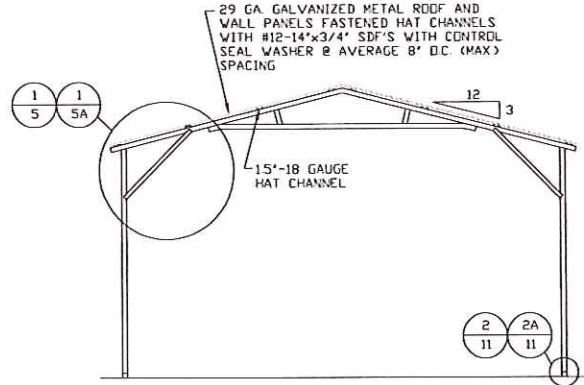
SCALE: NTS
DWG. NO: SK-3

**JOB NO: 15156S
16135S**
REV: 6

BOX EAVE RAFTER VERTICAL ROOF OPTION



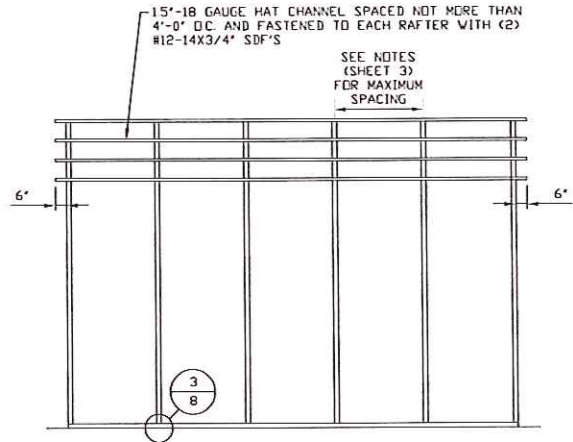
**TYPICAL END ELEVATION
VERTICAL ROOF**
SCALE: NTS



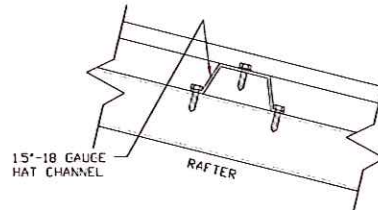
**TYPICAL SECTION
VERTICAL ROOF OPTION**
SCALE: NTS



**TYPICAL SIDE ELEVATION
VERTICAL ROOF**
SCALE: NTS



**TYPICAL FRAMING SECTION
VERTICAL ROOF OPTION**
SCALE: NTS



ROOF PANEL ATTACHMENT
(ALTERNATE FOR VERTICAL ROOF PANELS)
SCALE: NTS

**MOORE AND ASSOCIATES
ENGINEERING AND CONSULTING, INC.**

DRAWN BY: JRS

CHECKED BY: PDH

PROJECT MGR: WSH

CLIENT: CAROLINA
CARPORTS

CAROLINA CARPORTS, INC.
187 CARDINAL RIDGE TRAIL
DOBSON, NC 27017
30'x20' ENCLOSED STRUCTURE

DATE: 4-6-17

SCALE: NTS

SHT. 15

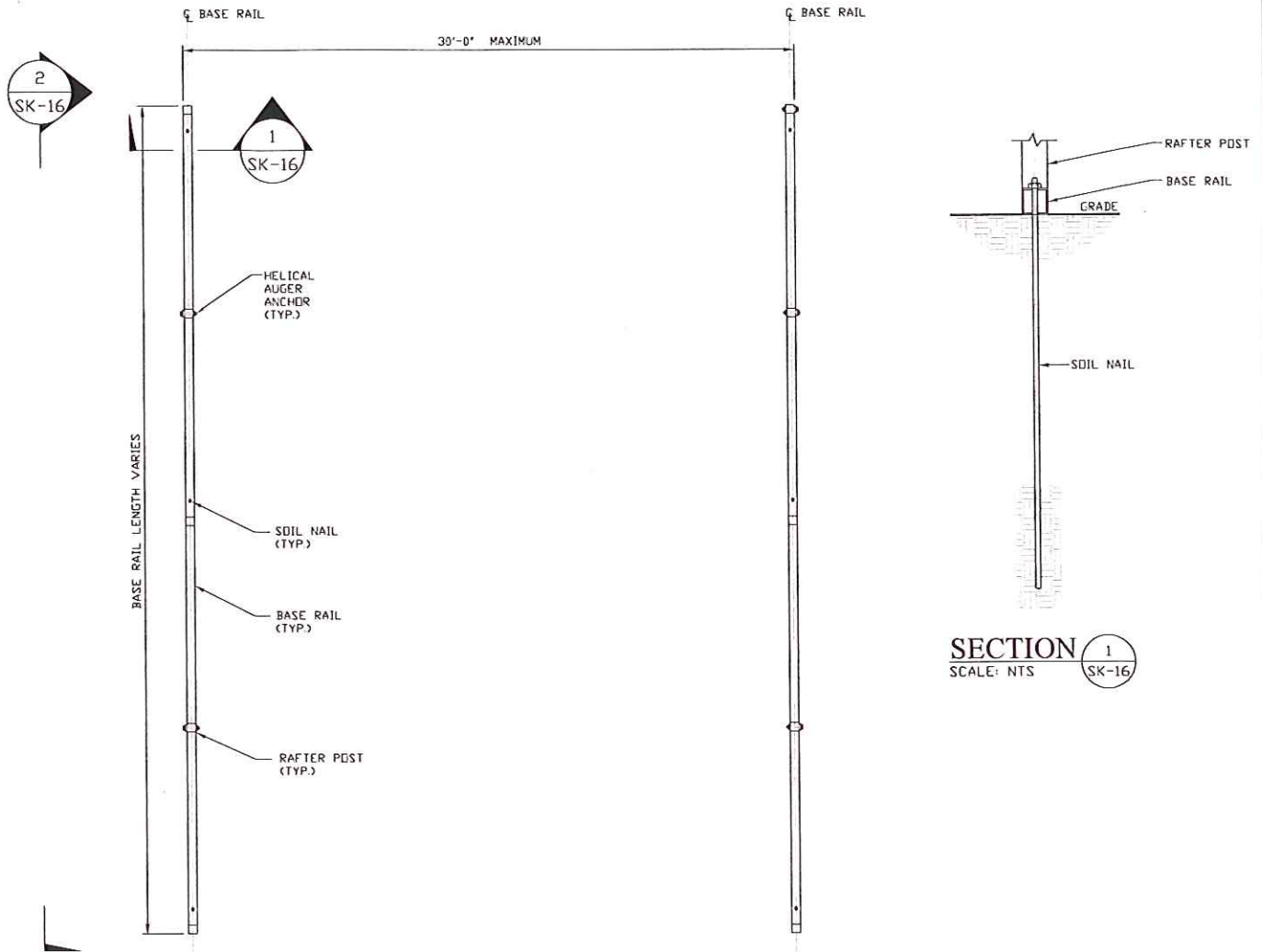
DWG. NO: SK-3

JOB NO: 15156S
16135S

REV: 6

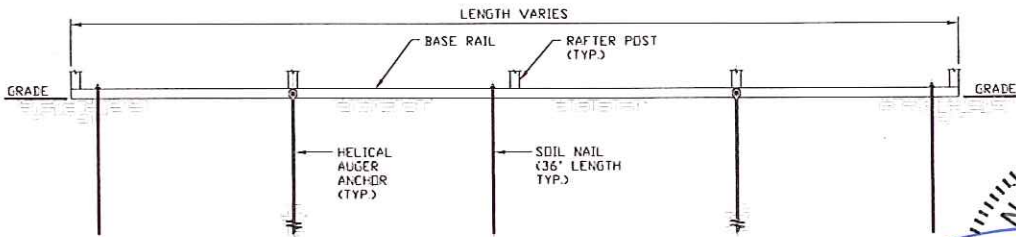
THIS DOCUMENT IS THE PROPERTY OF MOORE AND ASSOCIATES ENGINEERING AND CONSULTING. THE UNAUTHORIZED REPRODUCTION, COPYING, OR OTHERWISE USE OF THIS DOCUMENT IS STRICTLY PROHIBITED AND ANY INFRINGEMENT THEREUPON MAY BE SUBJECT TO LEGAL ACTION.

BASE RAIL ON GRADE APPLICATION



BASE RAIL PLAN

SCALE: NTS



HELIX ANCHOR	
SIDE LENGTH	SPACING
20'	20'
25'	25' NOTE 2
30'	10' (EVERY OTHER POST)

SECTION 2

SCALE: NTS

NOTES:

1. INSTALLATION OF SOIL NAILS OR EXPANSION ANCHORS ALSO APPLY TO END WALLS
2. FOR EXPOSURE C USE 10' SPACING (EVERY OTHER POST)



**MOORE AND ASSOCIATES
ENGINEERING AND CONSULTING, INC.**

DRAWN BY: JRS

CHECKED BY: PDH

PROJECT MGR: WSH

**CLIENT: CAROLINA
CARPORTS**

CAROLINA CARPORTS, INC.
187 CARDINAL RIDGE TRAIL
DOBSON, NC 27017
30'x20' ENCLOSED STRUCTURE

DATE: 4-6-17

SHT. 16

SCALE: NTS

DWG. NO: SK-3

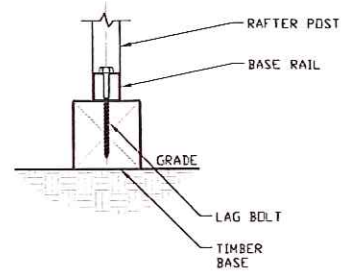
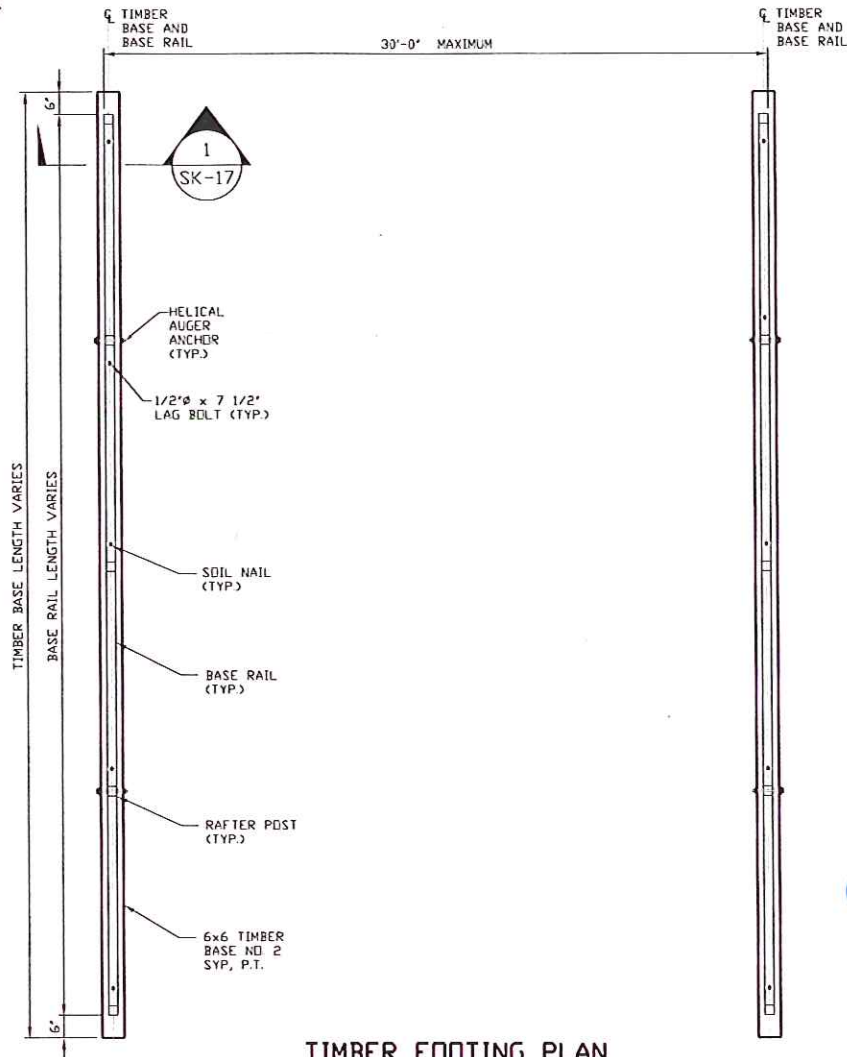
**JOB NO: 15156S
16135S**

REV: 6

THIS DOCUMENT IS THE PROPERTY OF MOORE AND ASSOCIATES ENGINEERING AND CONSULTING. THE UNAUTHORIZED REPRODUCTION, COPYING, OR OTHERWISE USE OF THIS DOCUMENT IS STRICTLY PROHIBITED AND ANY INFRINGEMENT THEREUPON MAY BE SUBJECT TO LEGAL ACTION.

OPTIONAL BASE RAIL ON TIMBER BEAM

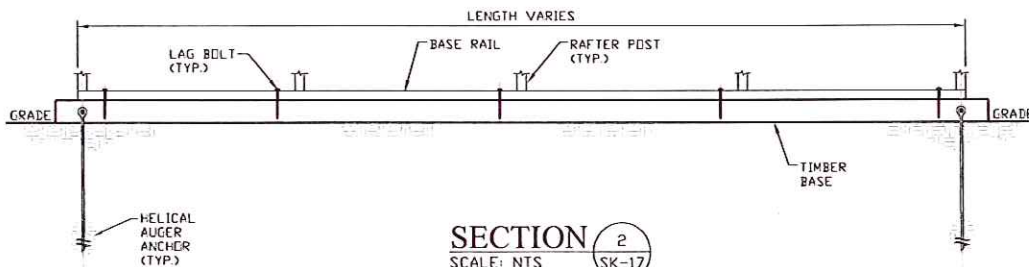
2
SK-17



SECTION 1
SCALE: NTS SK-17



TIMBER FOOTING PLAN
SCALE: NTS



SECTION 2
SCALE: NTS SK-17

HELIX ANCHOR	
SIDE LENGTH	SPACING
20'	20'
25'	25' NOTE 2
30'	10' (EVERY OTHER POST)

NOTES:

1. INSTALLATION OF SOIL NAILS OR EXPANSION ANCHORS ALSO APPLY TO END WALLS
2. FOR EXPOSURE C USE 10' SPACING (EVERY OTHER POST)

**MOORE AND ASSOCIATES
ENGINEERING AND CONSULTING, INC.**

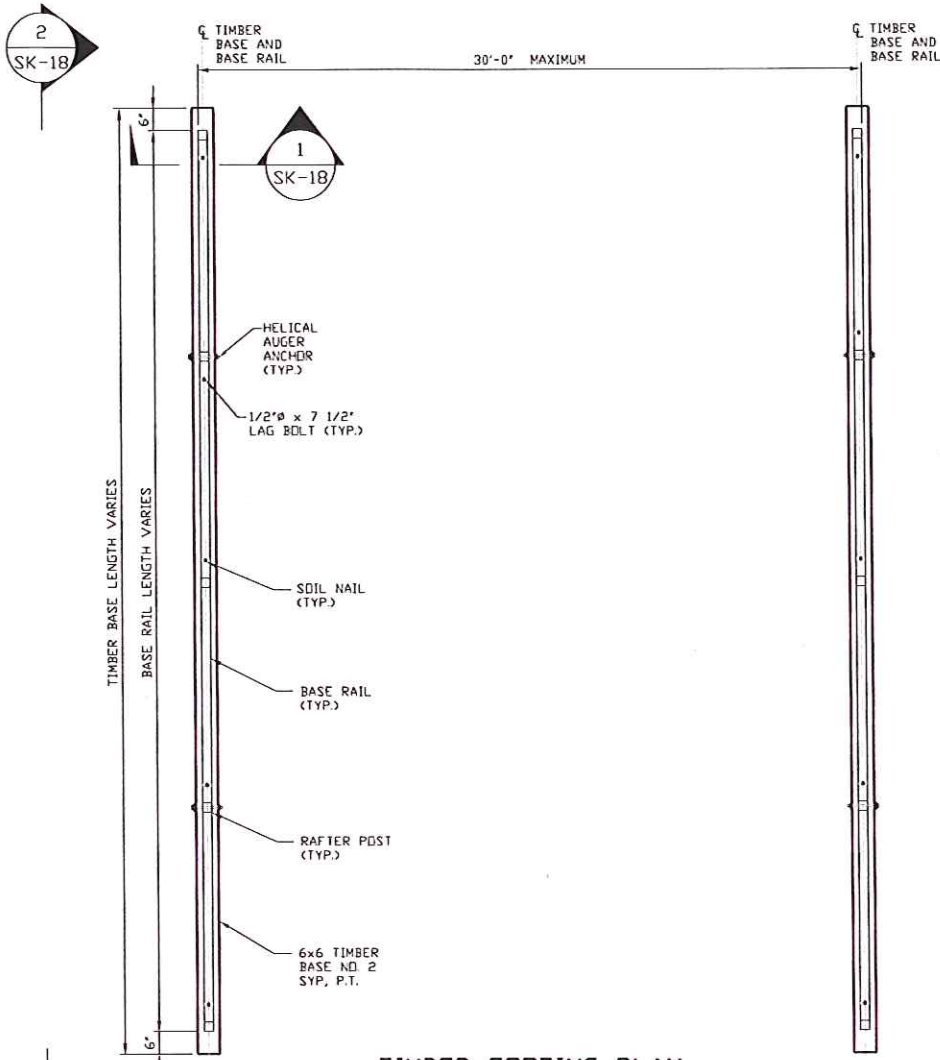
DRAWN BY: JRS
CHECKED BY: PDH

CAROLINA CARPORTS, INC.
187 CARDINAL RIDGE TRAIL
DOBSON, NC 27017
30'x20' ENCLOSED STRUCTURE

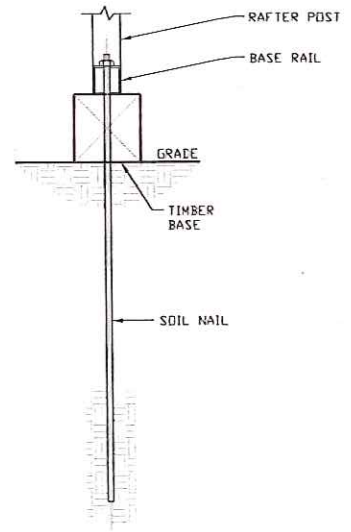
THIS DOCUMENT IS THE PROPERTY OF MOORE AND ASSOCIATES ENGINEERING AND CONSULTING. THE UNAUTHORIZED REPRODUCTION, COPYING, OR OTHERWISE USE OF THIS DOCUMENT IS STRICTLY PROHIBITED AND ANY INFRINGEMENT THEREUPON MAY BE SUBJECT TO LEGAL ACTION.

PROJECT MGR: WSM	DATE: 4-6-17	SCALE: NTS	JOB NO: 15156S 16135S
CLIENT: CAROLINA CARPORTS	SHT. 17	DWG. NO: SK-3	REV: 6

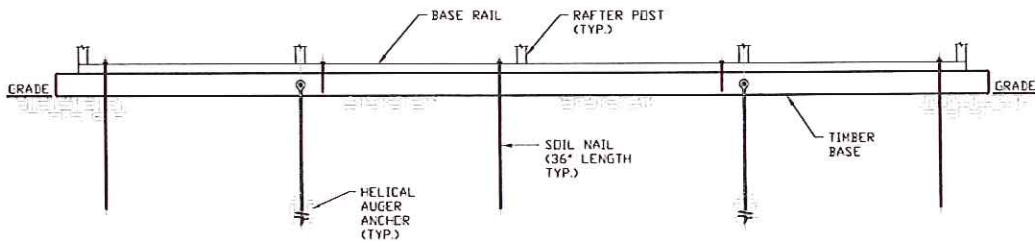
OPTIONAL BASE RAIL ON TIMBER BEAM WITH SOIL NAIL



TIMBER FOOTING PLAN
SCALE: NTS



SECTION 1
SCALE: NTS



SECTION 2
SCALE: NTS

HELIX ANCHOR	
SIDE LENGTH	SPACING
20'	20'
25'	25' NOTE 2
30'	10' (EVERY OTHER POST)

1. INSTALLATION OF SOIL NAILS OR EXPANSION ANCHORS ALSO APPLY TO END WALLS
2. FOR EXPOSURE C USE 10' SPACING (EVERY OTHER POST)

**MOORE AND ASSOCIATES
ENGINEERING AND CONSULTING, INC.**

DRAWN BY: JRS

CHECKED BY: PDH

PROJECT MGR: WSH

**CLIENT: CAROLINA
CARPORTS**

CAROLINA CARPORTS, INC.
187 CARDINAL RIDGE TRAIL
DOBSON, NC 27017
30'x20' ENCLOSED STRUCTURE

DATE: 4-6-17

SHT. 18

SCALE: NTS

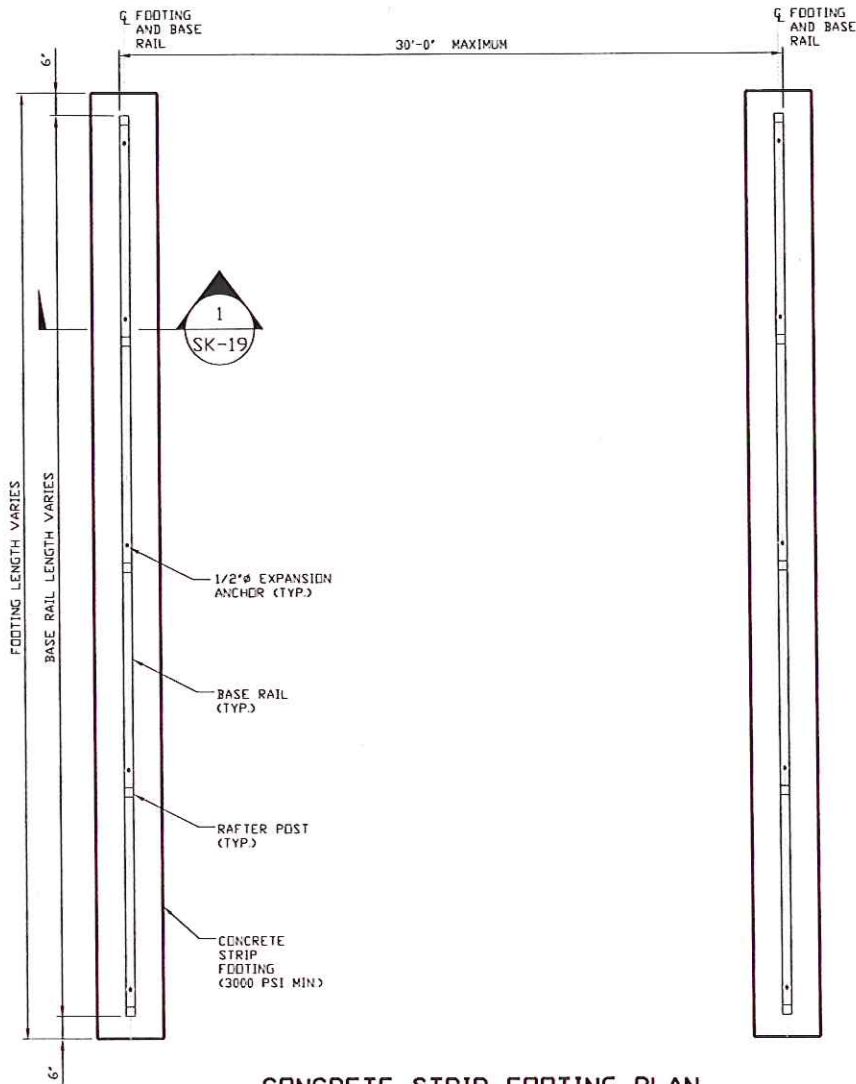
DWG. NO: SK-3

**JOB NO: 15156S
16135S**

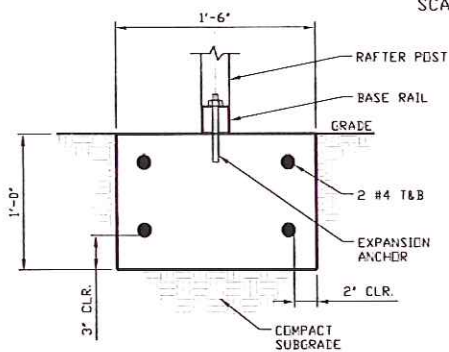
REV: 6

THIS DOCUMENT IS THE PROPERTY OF MOORE AND ASSOCIATES ENGINEERING AND CONSULTING. THE UNAUTHORIZED REPRODUCTION, COPYING, OR OTHERWISE USE OF THIS DOCUMENT IS STRICTLY PROHIBITED AND ANY INFRINGEMENT THEREUPON MAY BE SUBJECT TO LEGAL ACTION.

OPTIONAL CONCRETE STRIP FOOTING



CONCRETE STRIP FOOTING PLAN
SCALE: NTS



SECTION 1
SCALE: NTS
SK-19



**MOORE AND ASSOCIATES
ENGINEERING AND CONSULTING, INC.**

DRAWN BY: JRS

CHECKED BY: PDH

PROJECT MGR: WSM

CLIENT: CAROLINA
CARPORTS

CAROLINA CARPORTS, INC.
187 CARDINAL RIDGE TRAIL
DOBSON, NC 27017
30'x20' ENCLOSED STRUCTURE

DATE: 4-6-17

SHT. 19

SCALE: NTS

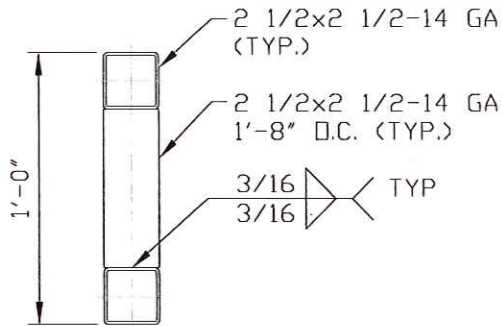
DWG. NO: SK-3

JOB NO: 15156S
16135S

REV: 6

THIS DOCUMENT IS THE PROPERTY OF MOORE AND ASSOCIATES ENGINEERING AND CONSULTING. THE UNAUTHORIZED REPRODUCTION, COPYING, OR OTHERWISE USE OF THIS DOCUMENT IS STRICTLY PROHIBITED AND ANY INFRINGEMENT THEREUPON MAY BE SUBJECT TO LEGAL ACTION.

OPTIONAL DOOR HEADER



**HEADER DETAIL FOR DOOR
OPENINGS 12'± LENGTH ≤20'**

SCALE: NTS



MOORE AND ASSOCIATES ENGINEERING AND CONSULTING, INC.	DRAWN BY: JRS		CAROLINA CARPORTS, INC. 187 CARDINAL RIDGE TRAIL DOBSON, NC 27017 30'x20' ENCLOSED STRUCTURE	
	CHECKED BY: PDH			
THIS DOCUMENT IS THE PROPERTY OF MOORE AND ASSOCIATES ENGINEERING AND CONSULTING. THE UNAUTHORIZED REPRODUCTION, COPYING, OR OTHERWISE USE OF THIS DOCUMENT IS STRICTLY PROHIBITED AND ANY INFRINGEMENT THEREUPON MAY BE SUBJECT TO LEGAL ACTION.	PROJECT MGR: WSM	DATE: 4-6-17	SCALE: NTS	JOB NO: 15156S 16135S
	CLIENT: CAROLINA CARPORTS	SHT. 20	DWG. NO: SK-3	REV.: 6