

 **Approved**
B Sutton 07/31/2018



STRUCTURAL DESIGN
ENCLOSED BUILDING

**MAXIMUM 30'- 0" WIDE X 14'- 0" EAVE HEIGHT
BOX EAVE FRAME AND BOW FRAME**

**17 July 2017
Revision 0
M&A Project No. 17168S**

Prepared for:

**Lear Metal Carports, LLC
253 Bowtie Lane
Low Gap, NC 27024**

Prepared by:

Moore and Associates Engineering and Consulting, Inc.

**1009 East Avenue
North Augusta, SC 29841**

**401 S. Main Street
Mt. Airy, NC 27030**



MOORE AND ASSOCIATES ENGINEERING AND CONSULTING, INC.		DRAWN BY: JRS		LEAR METAL CARPORTS, LLC 30'x14' ENCLOSED STRUCTURE PE SEAL COVER SHEET				
<small>THIS DOCUMENT IS THE PROPERTY OF MOORE AND ASSOCIATES ENGINEERING AND CONSULTING. THE UNAUTHORIZED REPRODUCTION, COPYING, OR OTHERWISE USE OF THIS DOCUMENT IS STRICTLY PROHIBITED AND ANY INFRINGEMENT THEREUPON MAY BE SUBJECT TO LEGAL ACTION.</small>		CHECKED BY: JM		PROJECT MGR: VSM		DATE: 7-17-17	SCALE: NTS	JOB NO: 17168S
		CLIENT: LMC		SHT. 1	DVG. NO: SK-3		REV: 0	

DRAWING INDEX

SHEET 1	PE SEAL COVER SHEET
SHEET 2	DRAWING INDEX
SHEET 3	INSTALLATION NOTES AND SPECIFICATIONS AND TYPICAL SIDE AND END ELEVATIONS
SHEET 4	TYPICAL RAFTER/COLUMN FRAME AND SIDE FRAMING SECTIONS (BOX EAVE RAFTER)
SHEET 5	TYPICAL RAFTER/COLUMN FRAME AND SIDE FRAMING SECTIONS (BOX EAVE RAFTER)
SHEET 6	COLUMN CONNECTION DETAILS (BOX EAVE RAFTER)
SHEET 7	TYPICAL RAFTER/COLUMN FRAME AND SIDE FRAMING SECTIONS (BOW RAFTER)
SHEET 8	TYPICAL RAFTER/COLUMN FRAME AND SIDE FRAMING SECTIONS (BOW RAFTER)
SHEET 9	COLUMN CONNECTION DETAILS (BOW RAFTER)
SHEET 10	OPTIONAL BASE RAIL ANCHORAGE
SHEET 11	TYPICAL END WALL AND SIDE WALL FRAMING SECTIONS (BOX EAVE)
SHEET 12	TYPICAL END WALL AND SIDE WALL FRAMING SECTIONS (BOW RAFTER)
SHEET 13	WALL OPENING DETAILS
SHEET 14	WALL OPENING DETAILS
SHEET 15	LEAN-TO OPTIONS (BOX EAVE RAFTER)
SHEET 16	LEAN-TO OPTIONS (BOW RAFTER)
SHEET 17	VERTICAL ROOF OPTION END AND SIDE ELEVATION AND SECTION

**MOORE AND ASSOCIATES
ENGINEERING AND CONSULTING, INC.**

DRAWN BY: JRS

CHECKED BY: JM

PROJECT MGR: WSM

CLIENT: LMC

LEAR METAL CARPORTS, LLC
253 BOWTIE LANE
LOWGAP, NC 27024
30'x14' ENCLOSED STRUCTURE

DATE: 7-17-17

SHT: 2

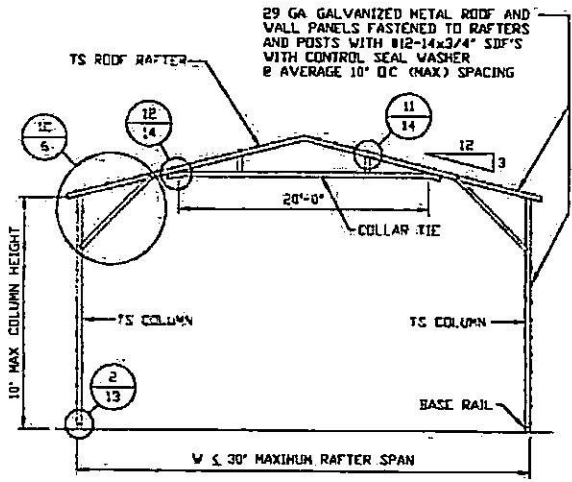
SCALE: NTS

DWG. NO: SK-3

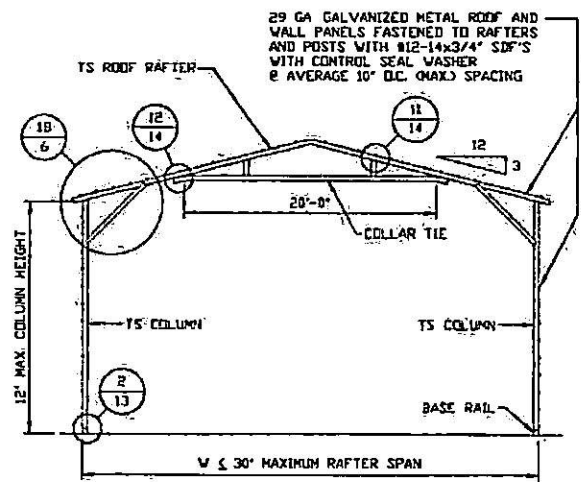
JOB NO: 17168S

REV: 0

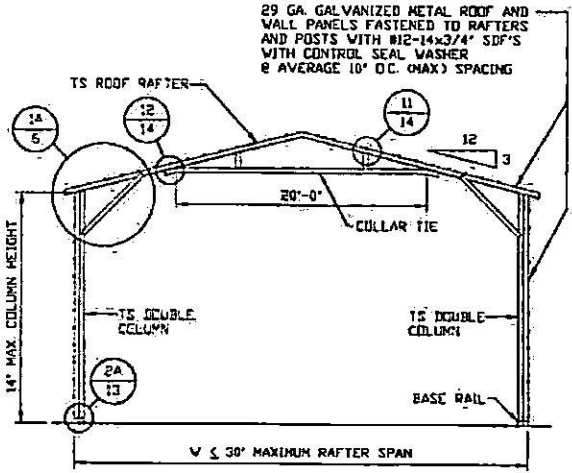
THIS DOCUMENT IS THE PROPERTY OF MOORE AND ASSOCIATES ENGINEERING AND CONSULTING. THE UNAUTHORIZED REPRODUCTION, COPYING, OR OTHERWISE USE OF THIS DOCUMENT IS STRICTLY PROHIBITED AND ANY INFRINGEMENT THEREUPON MAY BE SUBJECT TO LEGAL ACTION.



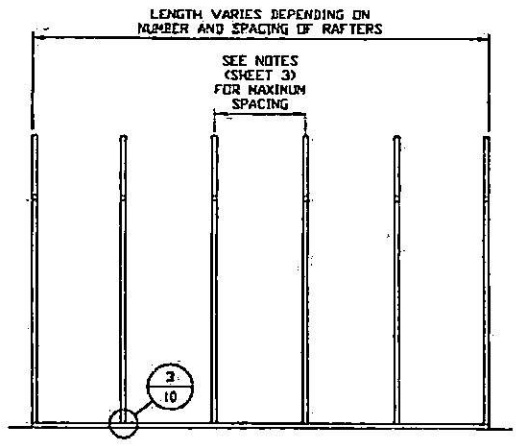
TYPICAL RAFTER/COLUMN FRAME SECTION
SCALE: NTS



TYPICAL RAFTER/COLUMN FRAME SECTION
SCALE: NTS



TYPICAL RAFTER/COLUMN FRAME SECTION
SCALE: NTS



TYPICAL RAFTER/COLUMN SIDE FRAMING SECTION
SCALE: NTS

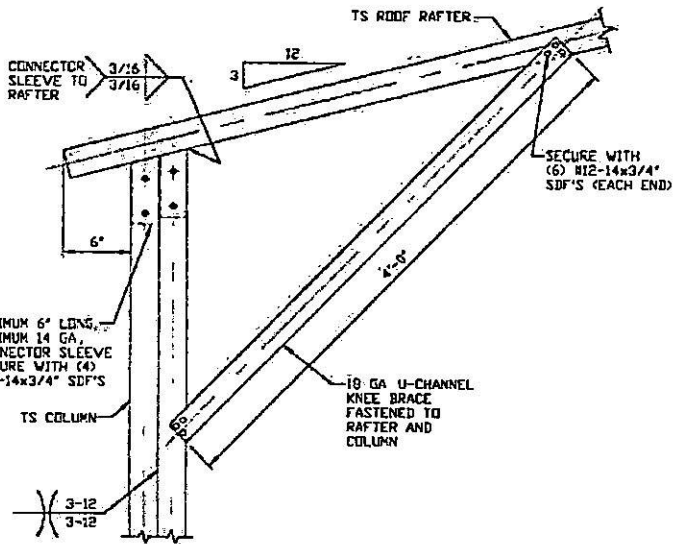
**MOORE AND ASSOCIATES
ENGINEERING AND CONSULTING, INC.**

DRAWN BY: JRS
CHECKED BY: JM
PROJECT MGR: WSM
CLIENT: LMC

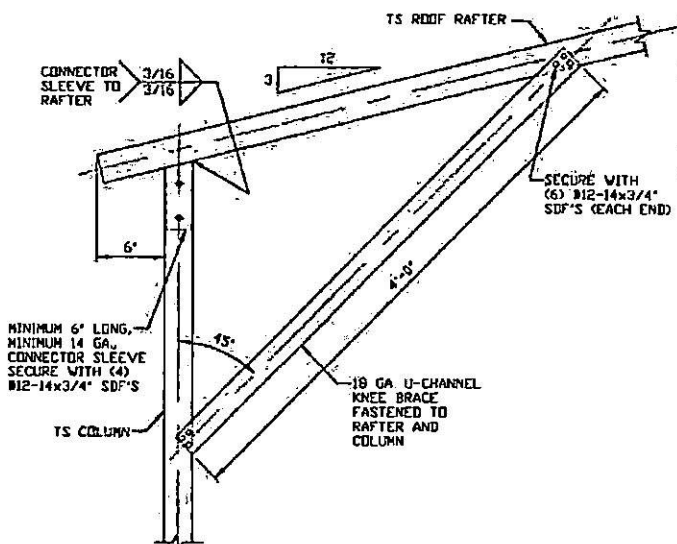
LEAR METAL CARPORTS, LLC
253 BOWTIE LANE
LOWGAP, NC 27024
30'x14' ENCLOSED STRUCTURE

THIS DOCUMENT IS THE PROPERTY OF MOORE AND ASSOCIATES ENGINEERING AND CONSULTING. THE UNAUTHORIZED REPRODUCTION, COPYING, OR OTHERWISE USE OF THIS DOCUMENT IS STRICTLY PROHIBITED AND ANY INFRINGEMENT THEREUPON MAY BE SUBJECT TO LEGAL ACTION.

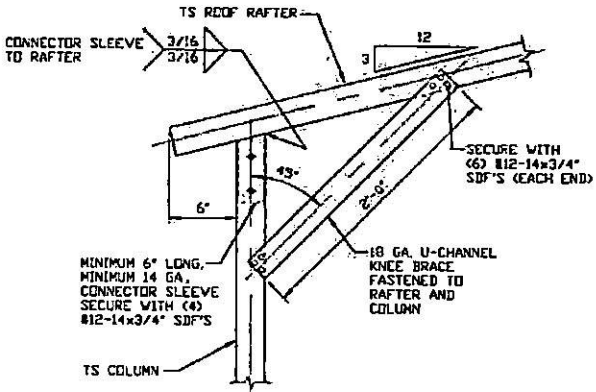
DATE: 7-17-17	SCALE: NTS	JOB NO: 17169S
SHT. 4	DWG. NO: SK-3	REV: 0



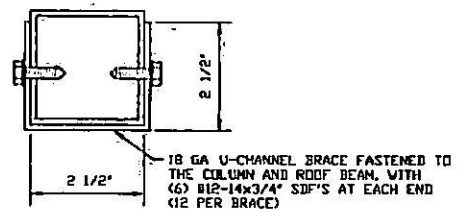
1A BOX EAVE RAFTER COLUMN CONNECTION DETAIL FOR HEIGHTS 14' > TO > 12'
SCALE: NTS



1B BOX EAVE RAFTER COLUMN CONNECTION DETAIL FOR HEIGHTS 12' > TO > 10'
SCALE: NTS



1C BOX EAVE RAFTER COLUMN CONNECTION DETAIL FOR HEIGHTS ≤ 10'
SCALE: NTS



BRACE SECTION
SCALE: NTS

**MOORE AND ASSOCIATES
ENGINEERING AND CONSULTING, INC.**

DRAWN BY: JRS
CHECKED BY: JM

LEAR METAL CARPORTS, LLC
253 BOWTIE LANE
LOWGAP, NC 27024
30'x14' ENCLOSED STRUCTURE

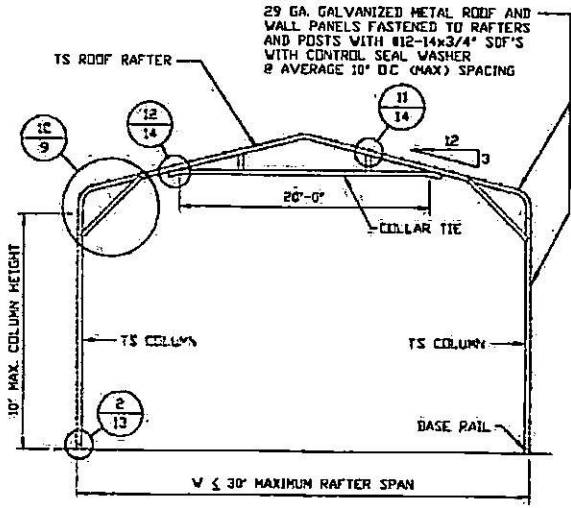
THIS DOCUMENT IS THE PROPERTY OF MOORE AND ASSOCIATES ENGINEERING AND CONSULTING. THE UNAUTHORIZED REPRODUCTION, COPYING, OR OTHERWISE USE OF THIS DOCUMENT IS STRICTLY PROHIBITED AND ANY INFRINGEMENT THEREUPON MAY BE SUBJECT TO LEGAL ACTION.

PROJECT MGR: WSN
CLIENT: LMC

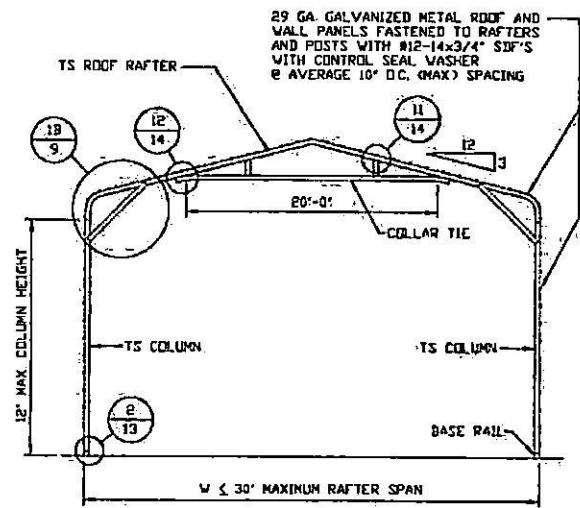
DATE: 7-17-17
SHT. 6

SCALE: NTS
DWG. NO: SK-3

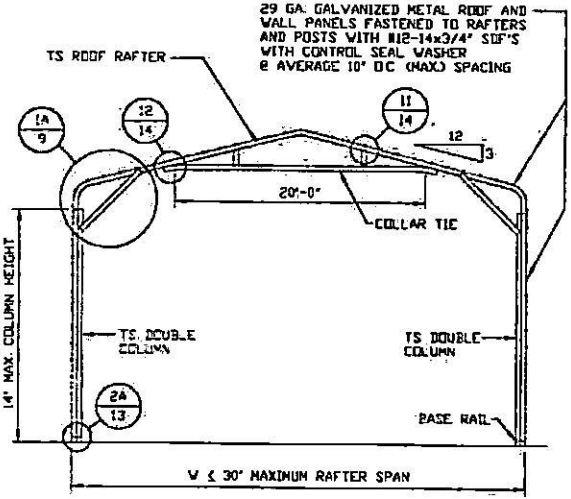
JOB NO: 17168S
REV: 0



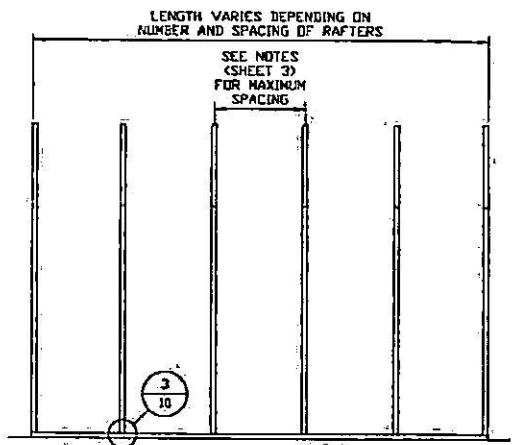
TYPICAL RAFTER/COLUMN FRAME SECTION
SCALE: NTS



TYPICAL RAFTER/COLUMN FRAME SECTION
SCALE: NTS

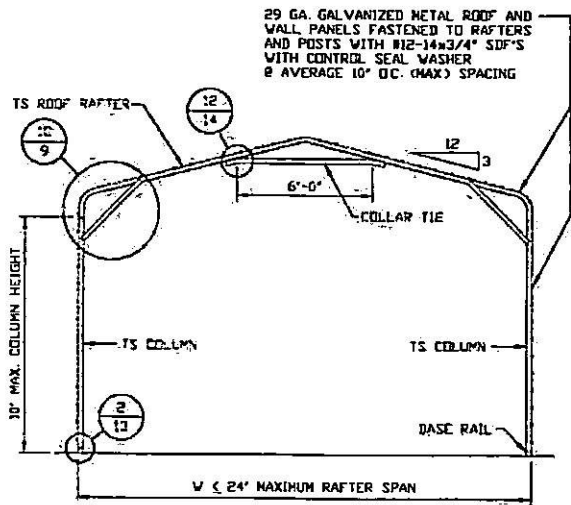


TYPICAL RAFTER/COLUMN FRAME SECTION
SCALE: NTS

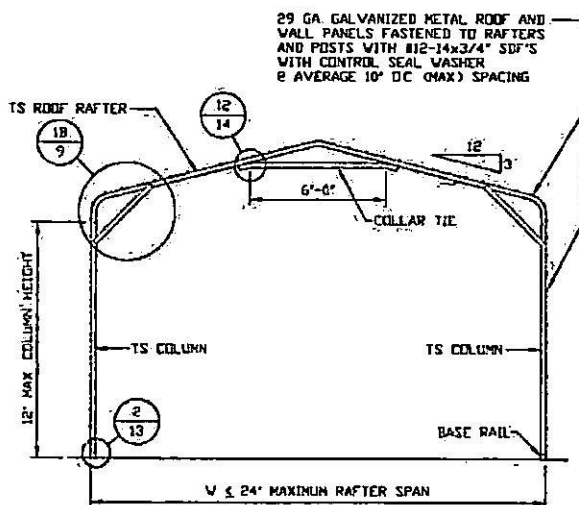


TYPICAL RAFTER/COLUMN FRAMING SIDE SECTION
SCALE: NTS

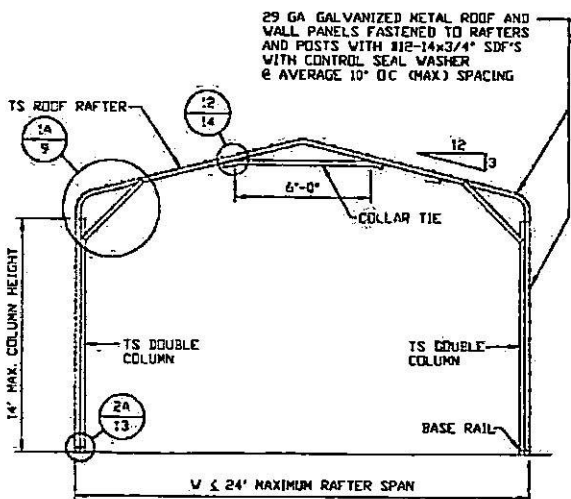
MOORE AND ASSOCIATES ENGINEERING AND CONSULTING, INC.	DRAWN BY: JRS	LEAR METAL CARPORTS, LLC 253 BOWTIE LANE LOWGAP, NC 27024 30'x14' ENCLOSED STRUCTURE		
	CHECKED BY: JM			
THIS DOCUMENT IS THE PROPERTY OF MOORE AND ASSOCIATES ENGINEERING AND CONSULTING. THE UNAUTHORIZED REPRODUCTION, COPYING, OR OTHERWISE USE OF THIS DOCUMENT IS STRICTLY PROHIBITED AND ANY INFRINGEMENT THEREUPON MAY BE SUBJECT TO LEGAL ACTION.	PROJECT MGR: WSM	DATE: 7-17-17	SCALE: NTS	JOB NO: 17168S
	CLIENT: LMC	SHT: 7	DVG. NO: SK-3	REV: 0



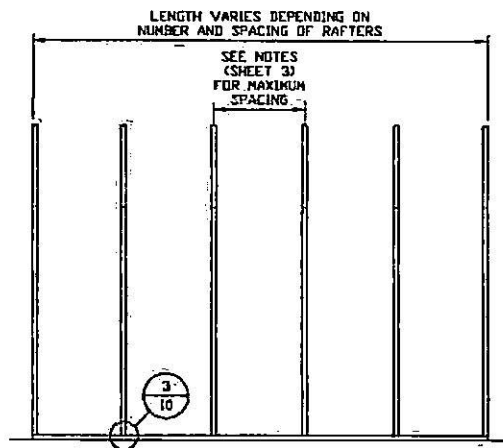
TYPICAL RAFTER/COLUMN FRAME SECTION
SCALE: NTS



TYPICAL RAFTER/COLUMN FRAME SECTION
SCALE: NTS



TYPICAL RAFTER/COLUMN FRAME SECTION
SCALE: NTS



TYPICAL RAFTER/COLUMN FRAMING SIDE SECTION
SCALE: NTS

**MOORE AND ASSOCIATES
ENGINEERING AND CONSULTING, INC.**

DRAWN BY: JRS

CHECKED BY: JM

PROJECT MGR: VSM

CLIENT: LMC

LEAR METAL CARPORTS, LLC
253 BOWTIE LANE
LOWGAP, NC 27024
30'x14' ENCLOSED STRUCTURE

DATE: 7-17-17

SHT. 8

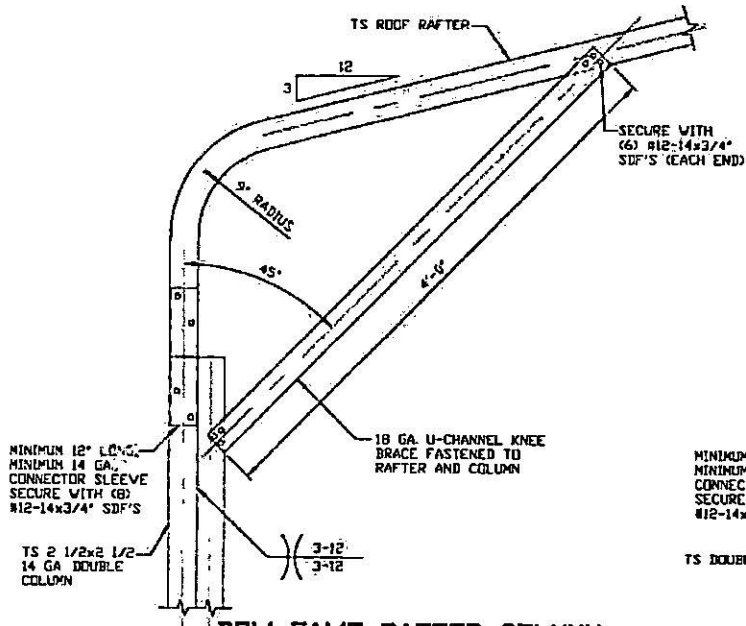
SCALE: NTS

DWG. NO: SK-3

JOB NO: 17168S

REV: 0

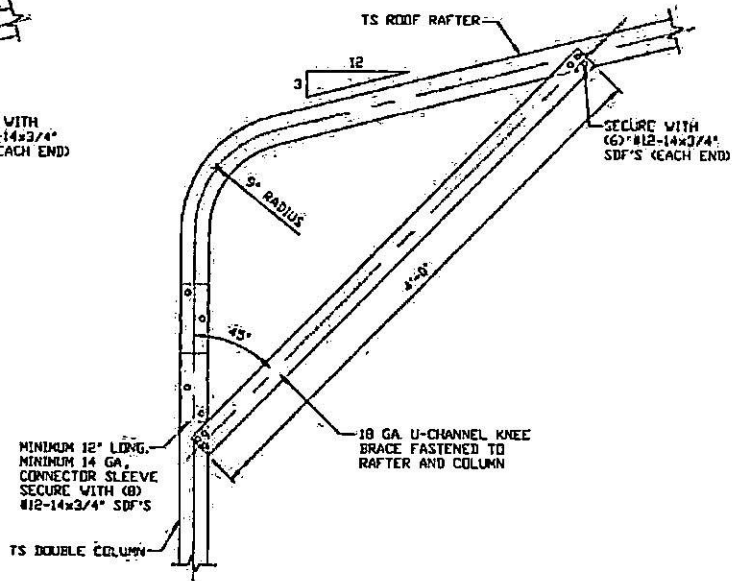
THIS DOCUMENT IS THE PROPERTY OF MOORE AND ASSOCIATES ENGINEERING AND CONSULTING. THE UNAUTHORIZED REPRODUCTION, COPYING, OR OTHERWISE USE OF THIS DOCUMENT IS STRICTLY PROHIBITED AND ANY INFRINGEMENT THEREUPON MAY BE SUBJECT TO LEGAL ACTION.



1A

BOW EAVE RAFTER COLUMN CONNECTION DETAIL FOR HEIGHTS 14' ≥ TO > 12'

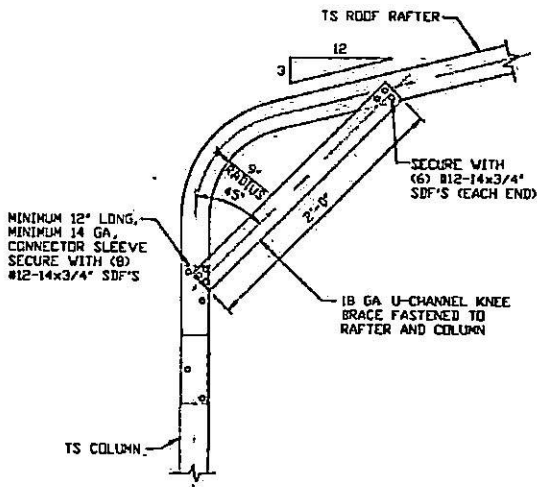
SCALE: NTS



1B

BOW EAVE RAFTER COLUMN CONNECTION DETAIL FOR HEIGHTS 12' > TO > 10'

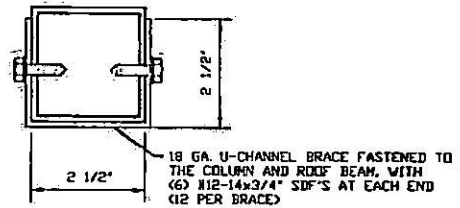
SCALE: NTS



1C

BOW EAVE RAFTER COLUMN CONNECTION DETAIL FOR HEIGHTS ≤ 10'

SCALE: NTS



BRACE SECTION

SCALE: NTS

**MOORE AND ASSOCIATES
ENGINEERING AND CONSULTING, INC.**

DRAWN BY: JRS

CHECKED BY: JM

PROJECT NO: VSM

CLIENT: LMC

LEAR METAL CARPORTS, LLC
253 BOWTIE LANE
LOWGAP, NC 27024
30'x14' ENCLOSED STRUCTURE

DATE: 7-17-17

SHT. 9

SCALE: NTS

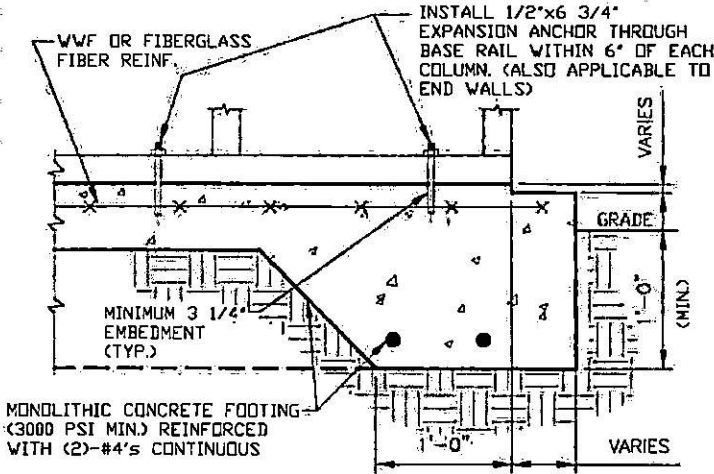
DWG. NO. SK-3

JOB NO. 17168S

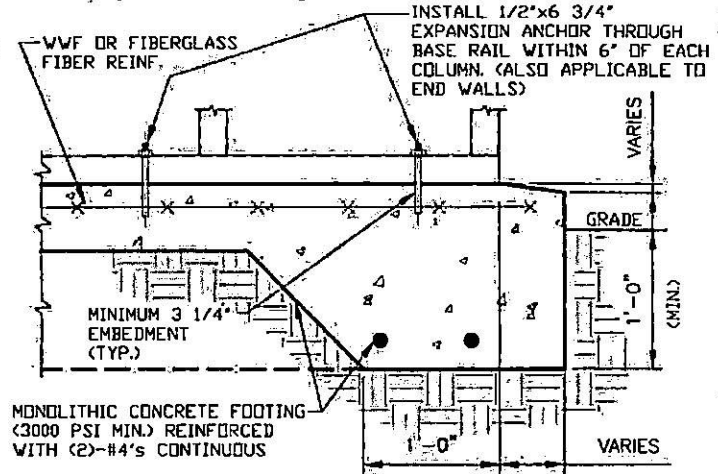
REV. 0

THIS DOCUMENT IS THE PROPERTY OF MOORE AND ASSOCIATES ENGINEERING AND CONSULTING. THE UNAUTHORIZED REPRODUCTION, COPYING, OR OTHERWISE USE OF THIS DOCUMENT IS STRICTLY PROHIBITED AND ANY INFRACTION THEREUPON MAY BE SUBJECT TO LEGAL ACTION.

OPTIONAL BASE RAIL ANCHORAGE



3A CONCRETE MONOLITHIC SLAB
BASE RAIL ANCHORAGE
SCALE: NTS
(MINIMUM ANCHOR EDGE DISTANCE IS 4")



3B CONCRETE SLAB BASE
RAIL ANCHORAGE
SCALE: NTS
(MINIMUM ANCHOR EDGE DISTANCE IS 4")

GENERAL NOTES

CONCRETE:

CONCRETE SHALL HAVE A MINIMUM SPECIFIED COMPRESSIVE STRENGTH OF 3,000 PSI AT 28 DAYS.

COVER OVER REINFORCING STEEL:

FOR FOUNDATIONS, MINIMUM CONCRETE COVER OVER REINFORCING BARS SHALL BE PER ACI-318:

3" IN FOUNDATIONS WHERE THE CONCRETE IS CAST AGAINST AND PERMANENTLY IN CONTACT WITH THE EARTH OR EXPOSED TO THE EARTH OR WEATHER, AND 1 1/2" ELSEWHERE.

REINFORCING STEEL:

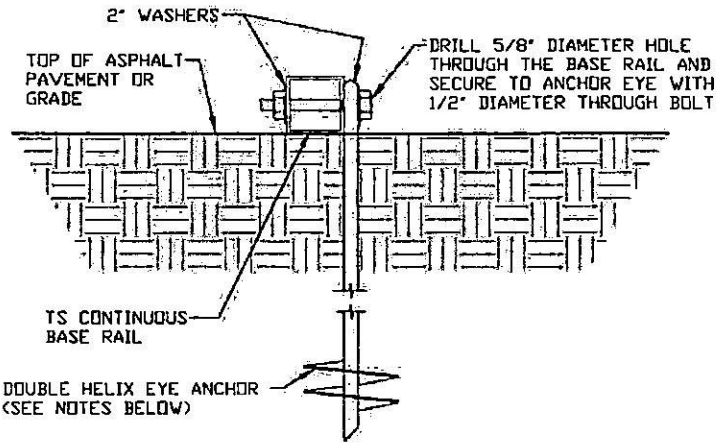
THE TURNDOWN REINFORCING STEEL SHALL BE ASTM A615 GRADE 60. THE SLAB REINFORCEMENT SHALL BE WELDED WIRE FABRIC MEETING ASTM A185 OR FIBERGLASS FIBER REINFORCEMENT.

REINFORCEMENT MAY BE BENT IN THE SHOP OR THE FIELD PROVIDED:

1. REINFORCEMENT IS BENT COLD.
2. THE DIAMETER OF THE BEND, MEASURED ON THE INSIDE OF THE BAR, IS NOT LESS THAN SIX-BAR DIAMETERS.
3. REINFORCEMENT PARTIALLY EMBEDDED IN CONCRETE SHALL NOT BE FIELD BENT.

HELIX ANCHOR NOTES:

1. FOR VERY DENSE AND/OR CEMENTED SANDS, COARSE GRAVEL AND COBBLES, CALICHE, PRELOADED SILTS AND CLAYS, USE MINIMUM (2) 4" HELICES WITH MINIMUM 30" EMBEDMENT OR SINGLE 6" HELIX WITH MINIMUM 50" EMBEDMENT
2. FOR CORAL USE MINIMUM (2) 4" HELICES WITH MINIMUM 30" EMBEDMENT OR SINGLE 6" HELIX WITH MINIMUM 50" EMBEDMENT.
3. FOR MEDIUM DENSE COARSE SANDS, SANDY GRAVELS, VERY STIFF SILTS, AND CLAYS USE MINIMUM (2) 4" HELICES WITH MINIMUM 30 INCH EMBEDMENT OR SINGLE 6" HELIX WITH MINIMUM 50" EMBEDMENT.
4. FOR LOOSE TO MEDIUM DENSE SANDS, FIRM TO STIFF CLAYS AND SILTS ALLUVIAL FILL, USE MINIMUM (2) 6" HELICES WITH MINIMUM 50" EMBEDMENT
5. FOR VERY LOSE TO MEDIUM DENSE SANDS, FIRM TO STIFFER CLAYS AND SILTS, ALLUVIAL FILL, USE MINIMUM (2) 8" HELICES WITH MINIMUM 60" EMBEDMENT.



3C GROUND BASE HELIX ANCHORAGE
SCALE: NTS
(CAN BE USED FOR ASPHALT)

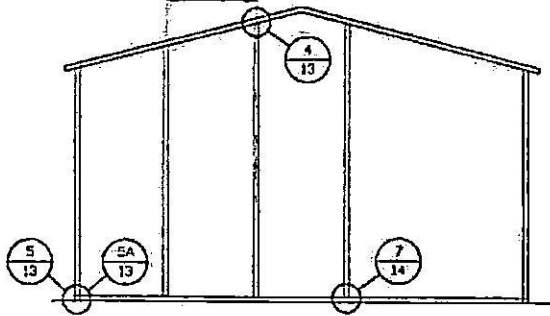
**MOORE AND ASSOCIATES
ENGINEERING AND CONSULTING, INC.**

DRAWN BY: JRS	LEAR METAL CARPORTS, LLC 253 BOWTIE LANE LOWGAP, NC 27024 30'x14' ENCLOSED STRUCTURE			
CHECKED BY: JM	PROJECT NO: VSM	DATE: 7-17-17	SCALE: NTS	JOB NO: 17168S
CLIENT: LMC	SHT. 10	DWG. NO: SK-3	REV: 0	

THIS DOCUMENT IS THE PROPERTY OF MOORE AND ASSOCIATES ENGINEERING AND CONSULTING. THE UNAUTHORIZED REPRODUCTION, COPYING, OR OTHERWISE USE OF THIS DOCUMENT IS STRICTLY PROHIBITED AND ANY INFRINGEMENT THEREUPON MAY BE SUBJECT TO LEGAL ACTION.

BOX EAVE RAFTER END WALL AND SIDE WALL OPENINGS

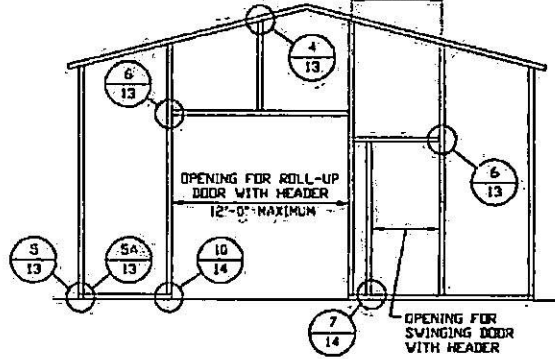
SEE NOTES
(SHEET 3)
FOR MAXIMUM
SPACING



**TYPICAL BOX EAVE RAFTER
END WALL FRAMING SECTION**

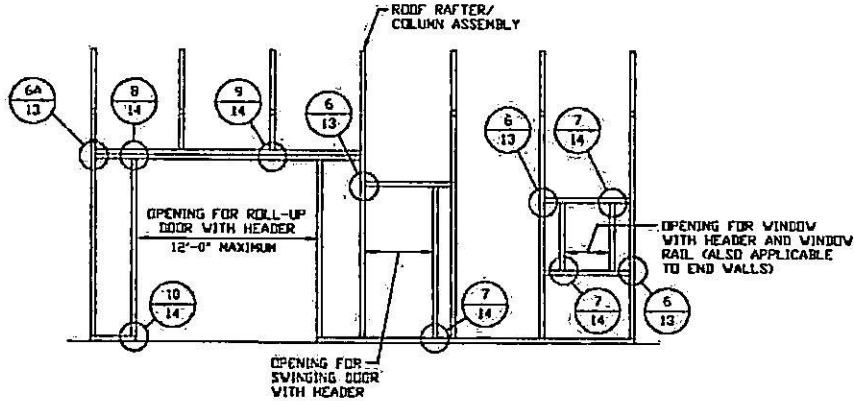
SCALE: NTS

SEE NOTES
(SHEET 3)
FOR MAXIMUM
SPACING



**TYPICAL BOX EAVE RAFTER END
WALL OPENINGS FRAMING SECTION**

SCALE: NTS



**TYPICAL BOX EAVE RAFTER
SIDE WALL OPENINGS FRAMING SECTION**

SCALE: NTS

**MOORE AND ASSOCIATES
ENGINEERING AND CONSULTING, INC.**

DRAWN BY: JRS

CHECKED BY: JM

PROJECT MGR: WSM

CLIENT: LMC

LEAR METAL CARPORTS, LLC
253 BOWTIE LANE
LOWGAP, NC 27024
30'x14' ENCLOSED STRUCTURE

DATE: 7-17-17

SCALE: NTS

JOB NO: 17169S

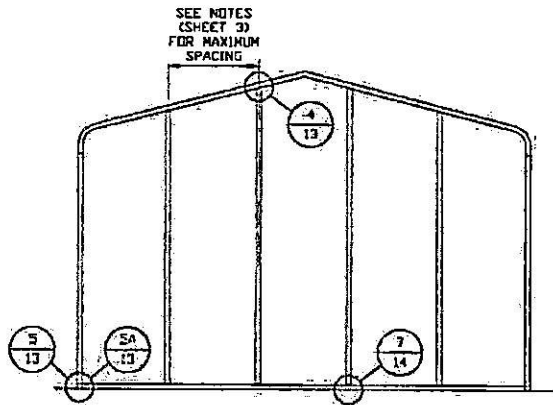
SHT. 11

DWG. NO SK-3

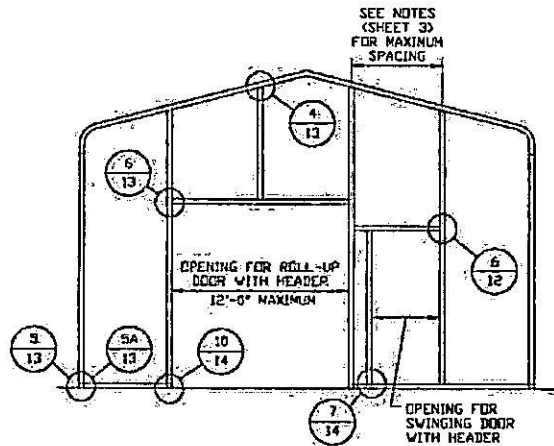
REV: 0

THIS DOCUMENT IS THE PROPERTY OF MOORE AND ASSOCIATES ENGINEERING AND CONSULTING. THE UNAUTHORIZED REPRODUCTION, COPYING, OR OTHERWISE USE OF THIS DOCUMENT IS STRICTLY PROHIBITED AND ANY INFRINGEMENT THEREUPON MAY BE SUBJECT TO LEGAL ACTION.

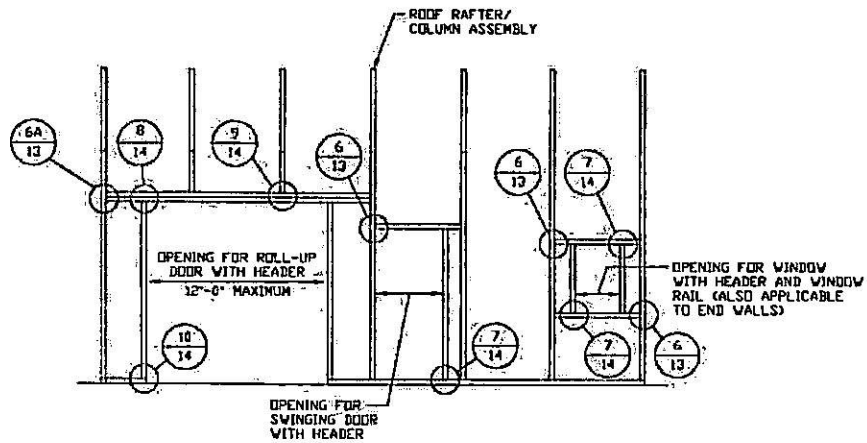
BOW RAFTER END WALL AND SIDE WALL OPENINGS



**TYPICAL BOW RAFTER
END WALL FRAMING SECTION**
SCALE: NTS



**TYPICAL BOW RAFTER END
WALL OPENINGS FRAMING SECTION**
SCALE: NTS



**TYPICAL BOW RAFTER SIDE
WALL OPENINGS FRAMING SECTION**
SCALE: NTS

**MOORE AND ASSOCIATES
ENGINEERING AND CONSULTING, INC.**

DRAWN BY: JRS

CHECKED BY: JM

PROJECT MGR: WSN

CLIENT: LMC

**LEAR METAL CARPORTS, LLC
253 BOWTIE LANE
LOWGAP, NC 27024
30'x14' ENCLOSED STRUCTURE**

DATE: 7-17-17

SCALE: NTS

JOB NO: 17168S

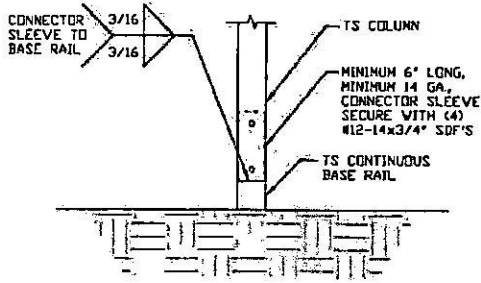
SHT. 12

DWG. NO: SK-3

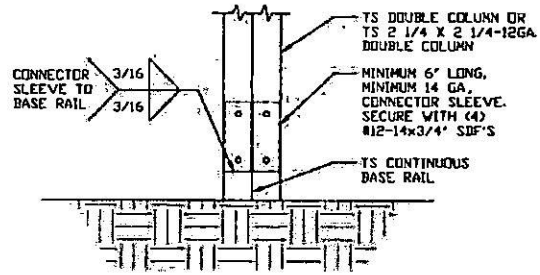
REV: 0

THIS DOCUMENT IS THE PROPERTY OF MOORE AND ASSOCIATES ENGINEERING AND CONSULTING, INC. UNAUTHORIZED REPRODUCTION, COPYING, OR OTHERWISE USE OF THIS DOCUMENT IS STRICTLY PROHIBITED AND ANY INFRINGEMENT THEREUPON MAY BE SUBJECT TO LEGAL ACTION.

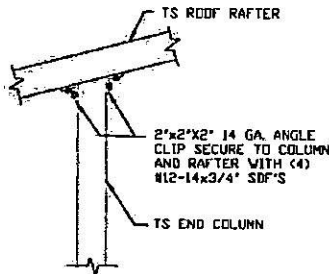
BOW AND BOX EAVE RAFTER WALL OPENING DETAILS



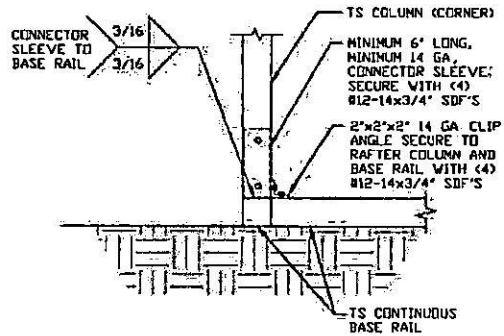
2 RAFTER COLUMN/BASE RAIL CONNECTION DETAIL
SCALE: NTS



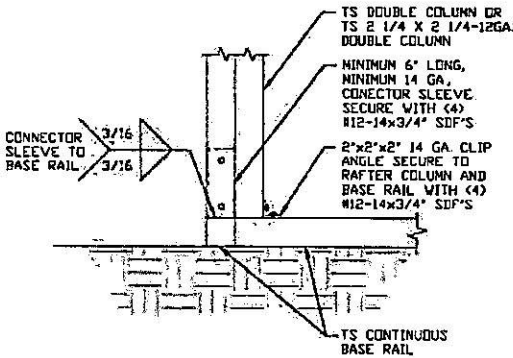
2A RAFTER COLUMN/BASE RAIL CONNECTION DETAIL
SCALE: NTS



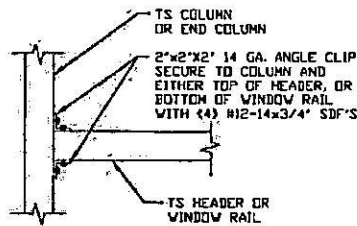
4 END COLUMN/RAFTER CONNECTION DETAIL
SCALE: NTS



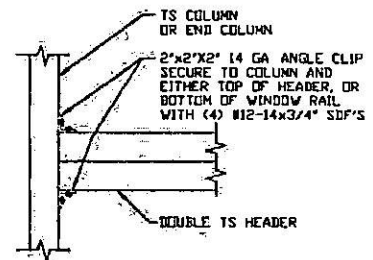
5 END COLUMN/BASE RAIL CONNECTION DETAIL
SCALE: NTS



5A END COLUMN/BASE RAIL CONNECTION DETAIL
SCALE: NTS



6 COLUMN OR WINDOW RAIL TO POST CONNECTION DETAIL
SCALE: NTS



6A COLUMN OR WINDOW RAIL TO POST CONNECTION DETAIL
SCALE: NTS

**MOORE AND ASSOCIATES
ENGINEERING AND CONSULTING, INC.**

DRAWN BY: JRS

CHECKED BY: JM

PROJECT MGR: WSM

CLIENT: LMC

LEAR METAL CARPORTS, LLC
253 BOWTIE LANE
LOWGAP, NC 27024
30'x14' ENCLOSED STRUCTURE

DATE: 7-17-17

SCALE: NTS

JOB NO: 17168S

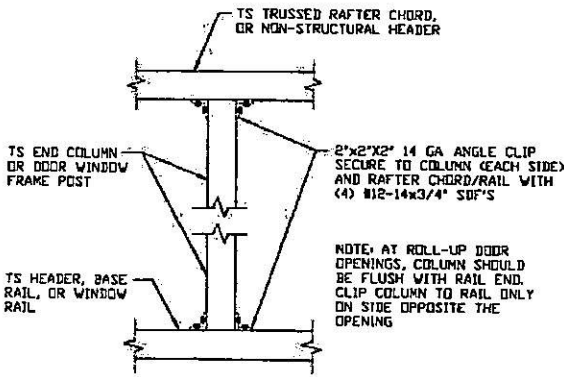
SHT. 13

DWG. NO: SK-3

REV: 0

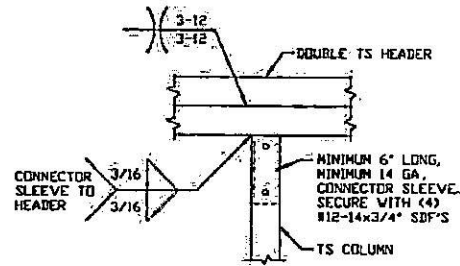
THIS DOCUMENT IS THE PROPERTY OF MOORE AND ASSOCIATES ENGINEERING AND CONSULTING, INC. UNAUTHORIZED REPRODUCTION, COPYING, OR OTHERWISE USE OF THIS DOCUMENT IS STRICTLY PROHIBITED AND ANY INFRINGEMENT THEREUPON MAY BE SUBJECT TO LEGAL ACTION.

BOW AND BOX EAVE RAFTER WALL OPENING DETAILS



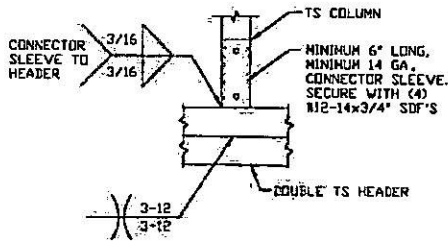
7 COLUMN TO HEADER, BASE RAIL OR WINDOW RAIL CONNECTION DETAIL

SCALE: NTS



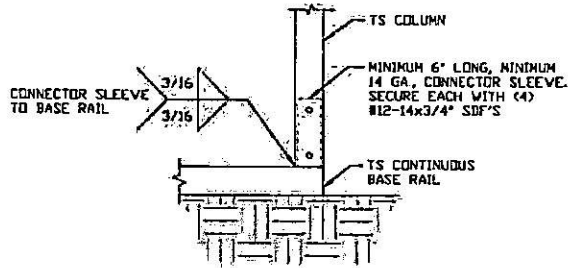
8 HEADER/COLUMN CONNECTION DETAIL

SCALE: NTS



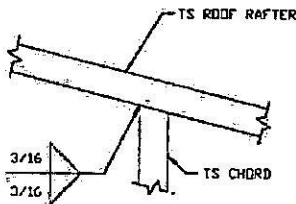
9 HEADER/COLUMN CONNECTION DETAIL

SCALE: NTS



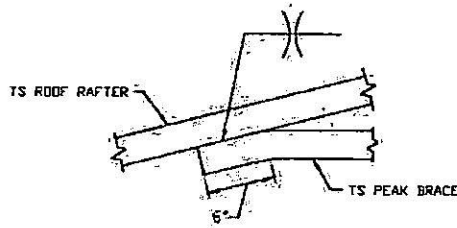
10 COLUMN/BASE RAIL CONNECTION DETAIL

SCALE: NTS



11 RAFTER TO CHORD CONNECTION DETAIL

SCALE: NTS



12 PEAK BRACE CONNECTION DETAIL

SCALE: NTS

**MOORE AND ASSOCIATES
ENGINEERING AND CONSULTING, INC.**

DRAWN BY: JRS

CHECKED BY: JM

PROJECT MGR: VSM

CLIENT: LMC

LEAR METAL CARPORTS, LLC
253 BOWTIE LANE
LOWGAP, NC 27024
30'x14' ENCLOSED STRUCTURE

DATE: 7-17-17

SHT. 14

SCALE: NTS

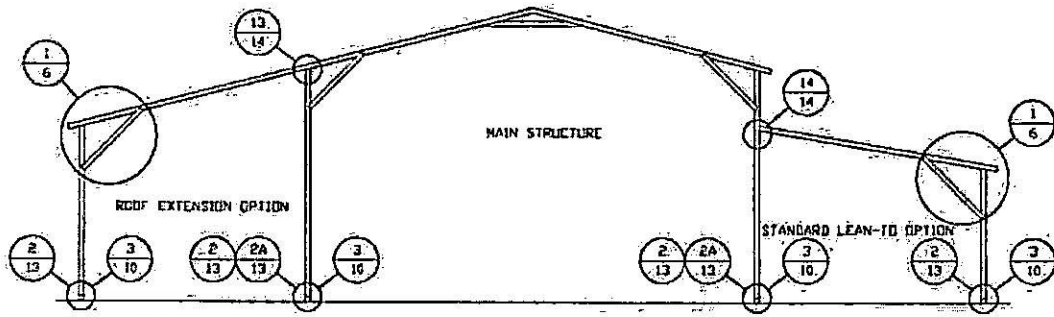
DWG NO: SK-3

JOB NO: 17168S

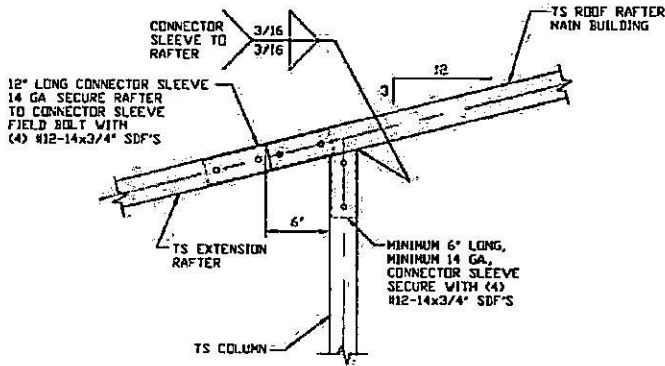
REV: 0

THIS DOCUMENT IS THE PROPERTY OF MOORE AND ASSOCIATES ENGINEERING AND CONSULTING, INC. UNAUTHORIZED REPRODUCTION, COPYING, OR OTHERWISE USE OF THIS DOCUMENT IS STRICTLY PROHIBITED AND ANY INFINGEMENT THEREUPON MAY BE SUBJECT TO LEGAL ACTION.

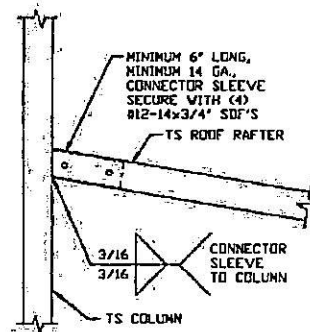
BOX EAVE RAFTER LEAN-TO OPTIONS



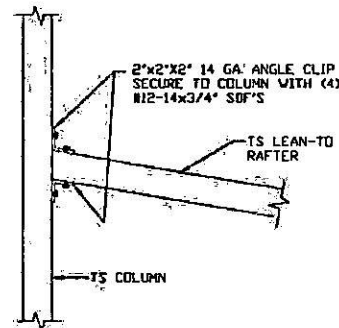
TYPICAL BOX EAVE RAFTER LEAN-TO OPTIONS FRAMING SECTION (BOTH OPTIONS SHOWN)



13 SIDE EXTENSION RAFTER/
COLUMN DETAIL FOR
RAFTER SPANS $\leq 12'$
SCALE: NTS



14A LEAN-TO RAFTER TO RAFTER
COLUMN CONNECTION DETAIL
FOR RAFTER SPANS $\leq 12'$
SCALE: NTS



14B OPTIONAL LEAN-TO RAFTER TO
RAFTER COLUMN CONNECTION
DETAIL FOR RAFTER SPANS $\leq 12'$
SCALE: NTS

**MOORE AND ASSOCIATES
ENGINEERING AND CONSULTING, INC.**

DRAWN BY: JRS

CHECKED BY: JM

LEAR METAL CARPORTS, LLC
253 BOWTIE LANE
LOWGAP, NC 27024
30'x14' ENCLOSED STRUCTURE

THIS DOCUMENT IS THE PROPERTY OF MOORE AND ASSOCIATES ENGINEERING AND CONSULTING. THE UNAUTHORIZED REPRODUCTION, COPYING, OR OTHERWISE USE OF THIS DOCUMENT IS STRICTLY PROHIBITED AND ANY INFRINGEMENT THEREUPON MAY BE SUBJECT TO LEGAL ACTION.

PROJECT MGR: VSM

CLIENT: LMC

DATE: 7-17-17

SHT. 15

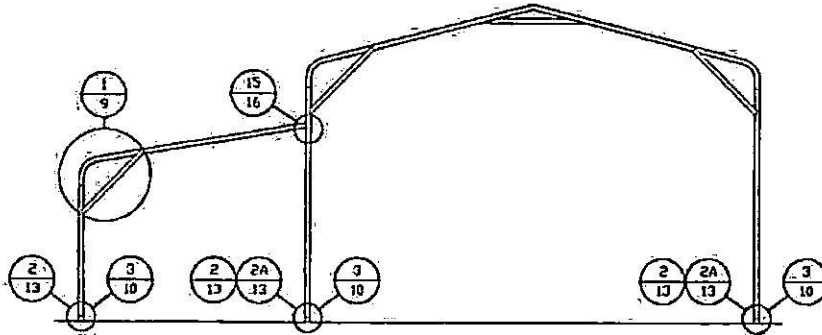
SCALE: NTS

DWG. NO: SK-3

JOB NO: 17168S

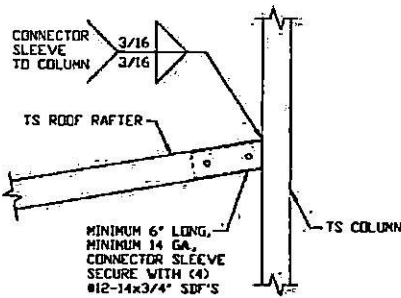
REV: 0

BOW RAFTER LEAN-TO OPTION



TYPICAL BOW RAFTER LEAN-TO OPTION FRAMING SECTION

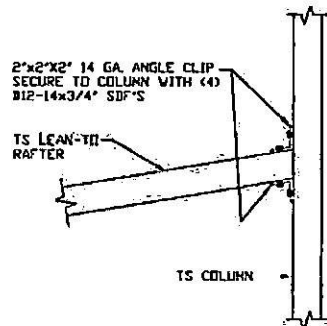
SCALE: NTS



LEAN-TO RAFTER TO RAFTER COLUMN CONNECTION DETAIL FOR RAFTER SPANS $\leq 12'$

15A

SCALE: NTS



OPTIONAL LEAN-TO RAFTER TO RAFTER COLUMN CONNECTION DETAIL FOR RAFTER SPANS $\leq 12'$

15B

SCALE: NTS

**MOORE AND ASSOCIATES
ENGINEERING AND CONSULTING, INC.**

DRAWN BY: JRS

CHECKED BY: JM

PROJECT MGR: VSM

CLIENT: LMC

**LEAR METAL CARPORTS, LLC
253 BOWTIE LANE
LOWGAP, NC 27024
30'x14' ENCLOSED STRUCTURE**

DATE: 7-17-17

SCALE: NTS

JOB NO: 17168S

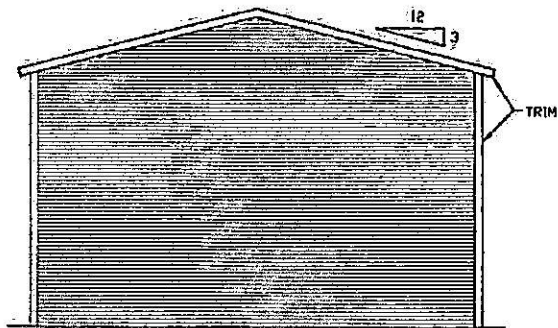
SHT. 16

DWG. NO SK-3

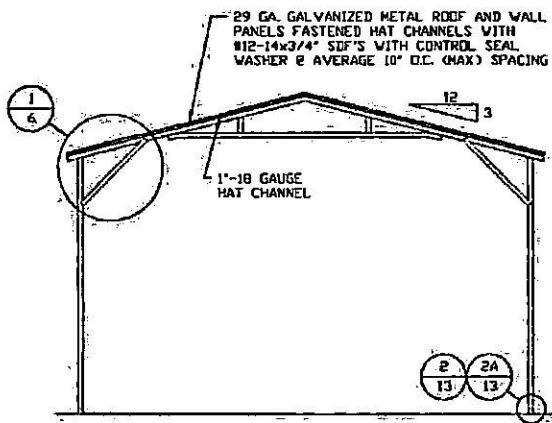
REV: 0

THIS DOCUMENT IS THE PROPERTY OF MOORE AND ASSOCIATES ENGINEERING AND CONSULTING, INC. UNAUTHORIZED REPRODUCTION, COPYING, OR OTHERWISE USE OF THIS DOCUMENT IS STRICTLY PROHIBITED AND ANY INFRINGEMENT THEREUPON MAY BE SUBJECT TO LEGAL ACTION.

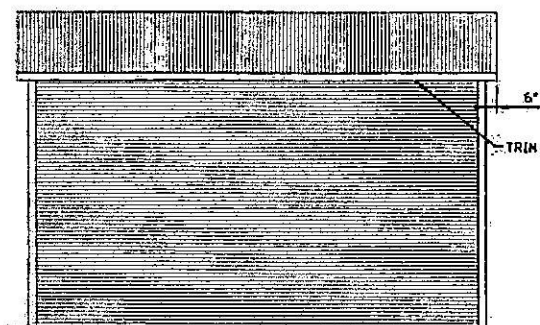
BOX EAVE RAFTER VERTICAL ROOF OPTION



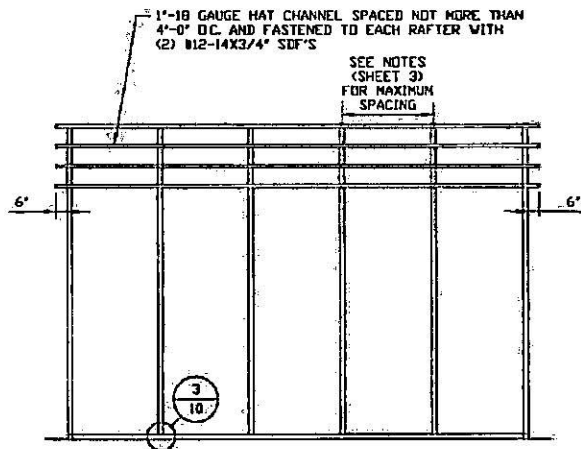
**TYPICAL END ELEVATION
VERTICAL ROOF**
SCALE: NTS



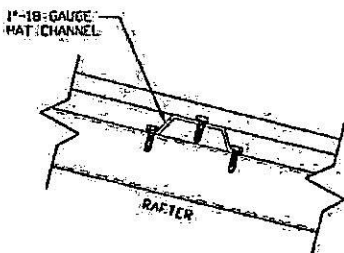
**TYPICAL SECTION
VERTICAL ROOF OPTION**
SCALE: NTS



**TYPICAL SIDE ELEVATION
VERTICAL ROOF**
SCALE: NTS



**TYPICAL FRAMING SECTION
VERTICAL ROOF OPTION**
SCALE: NTS



ROOF PANEL ATTACHMENT
(ALTERNATE FOR VERTICAL ROOF PANELS)
SCALE: NTS

**MOORE AND ASSOCIATES
ENGINEERING AND CONSULTING, INC.**

DRAWN BY: JRS

CHECKED BY: JM

PROJECT NGR VSM

CLIENT: LMC

LEAR METAL CARPORTS, LLC
253 BOWTIE LANE
LOWGAP, NC 27024
30'x14' ENCLOSED STRUCTURE

DATE: 7-17-17

SHT. 17

SCALE: NTS

DWG. NO. SK-3

JOB NO. 17168S

REV. 0

THIS DOCUMENT IS THE PROPERTY OF MOORE AND ASSOCIATES ENGINEERING AND CONSULTING. THE UNAUTHORIZED REPRODUCTION, COPYING, OR OTHERWISE USE OF THIS DOCUMENT IS STRICTLY PROHIBITED AND ANY INFRINGEMENT THEREUPON MAY BE SUBJECT TO LEGAL ACTION.