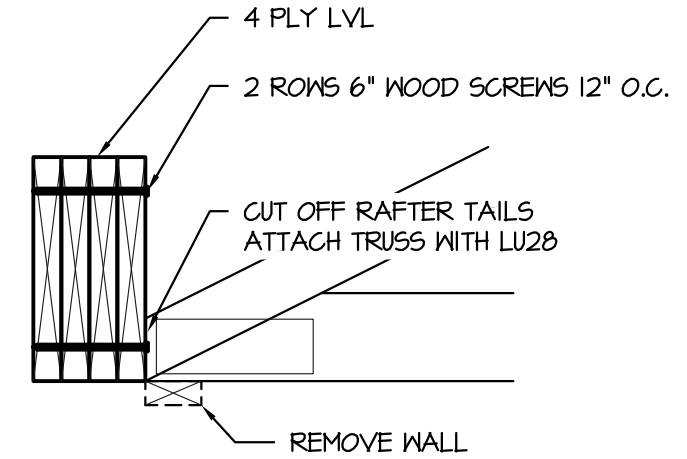
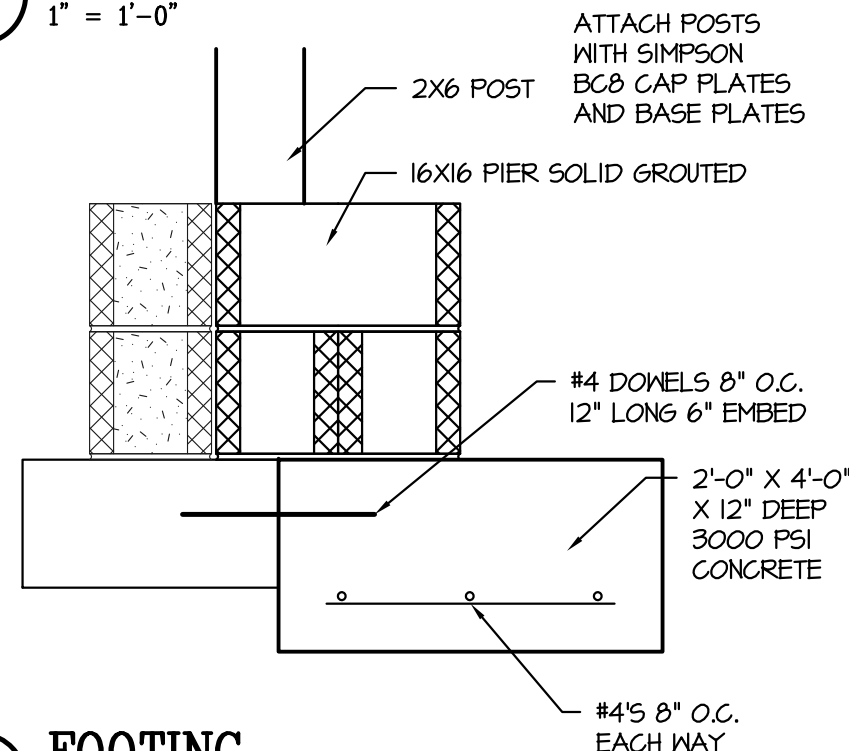


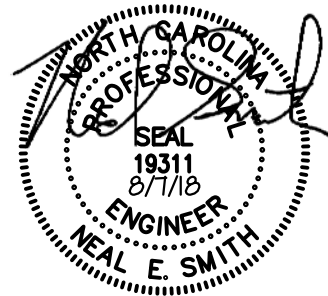
**1 ROOF PLAN**  
 S2 1/4" = 1'-0"



**2 LVL ATTACHMENT**  
 S2 1" = 1'-0"

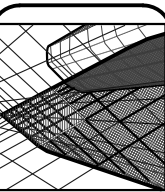


**3 FOOTING**  
 S2 1" = 1'-0"



Paulette Loris  
 398 Crown Point, Carolina Lakes

FRAMING PLAN



Neal Smith Engineering, Inc.  
 139 Piedmont Avenue - Suite C  
 Southern Pines, NC 28387  
 Phone: (910) 695-8825  
 Fax: (910) 695-8832  
 www.nseengineering.com  
 License No. C-1425



RELEASED  
 for  
 CONSTRUCTION

DRAWN BY:  
 JLE  
 DATE:  
 08-07-18  
 JOB NUMBER:  
 1800616  
 DRAWING KEY:  
 SI OF 1