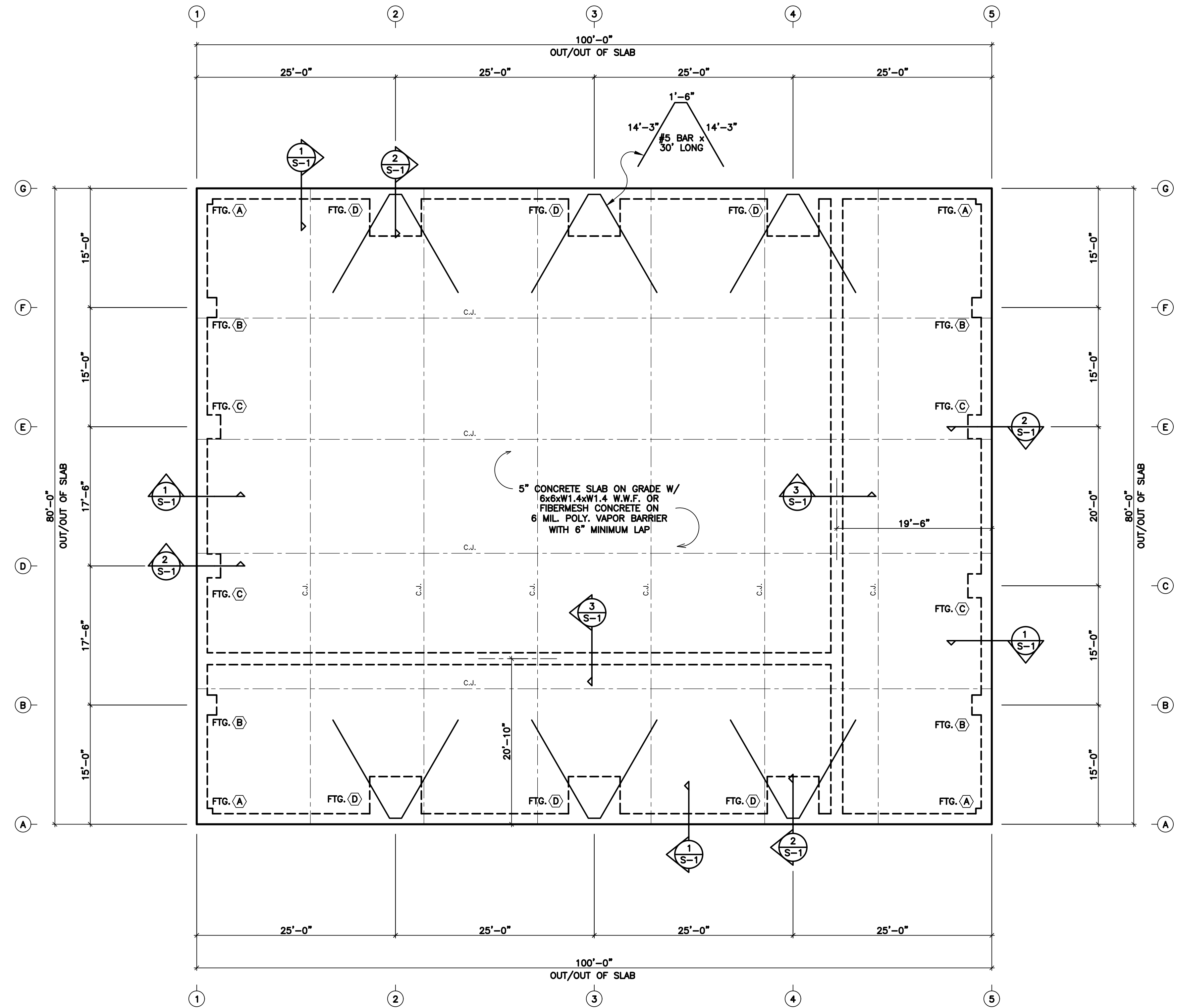
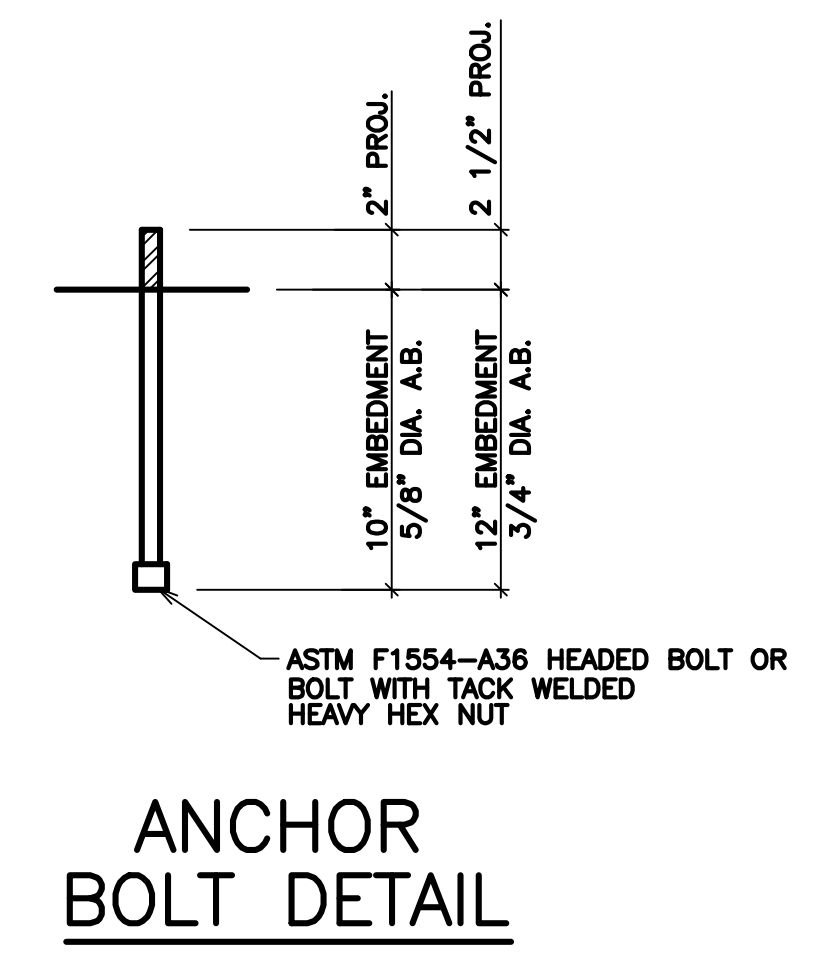


C.H. MOSS, P.E.
 SOLE PROPRIETOR
 P.O. BOX 28
 COVINGTON, GA 30015
 (770)-786-3163



FOUNDATION PLAN
 SCALE: 1/8" = 1'-0"

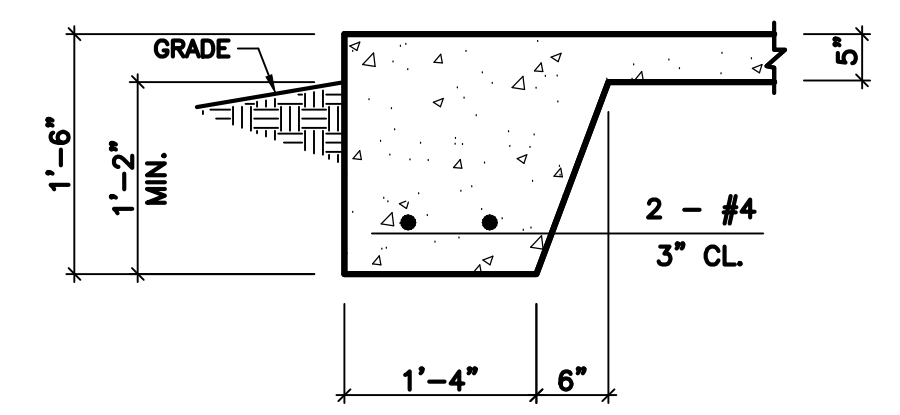


ANCHOR BOLT DETAIL

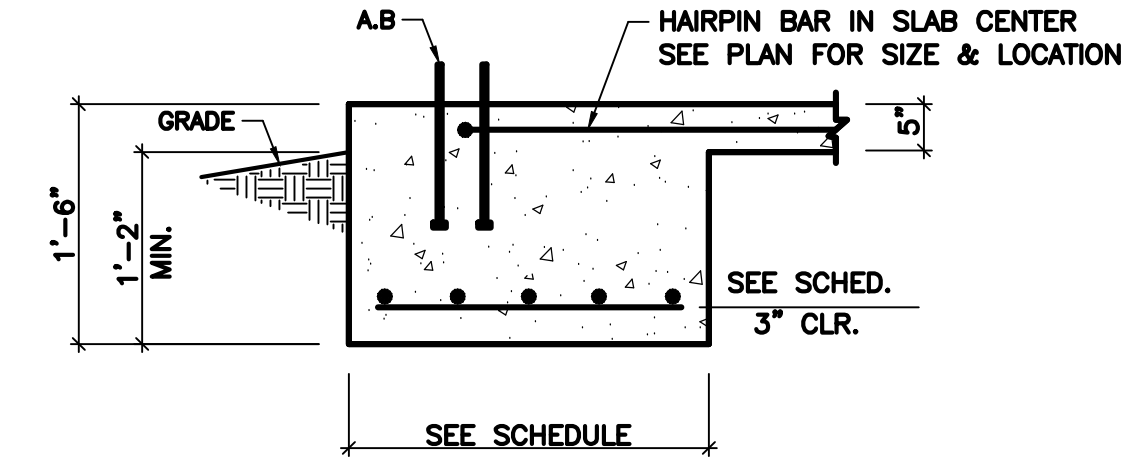
| FOOTING SCHEDULE | | |
|------------------|-----------------------|-------------|
| TYPE | SIZE | REINFORCING |
| FTG. (A) | 2'-0" x 2'-0" x 1'-6" | 3 - #4 E.W. |
| FTG. (B) | 2'-6" x 2'-6" x 1'-6" | 4 - #4 E.W. |
| FTG. (C) | 3'-0" x 3'-0" x 1'-6" | 4 - #4 E.W. |
| FTG. (D) | 6'-6" x 6'-6" x 1'-6" | 8 - #4 E.W. |

GENERAL NOTES

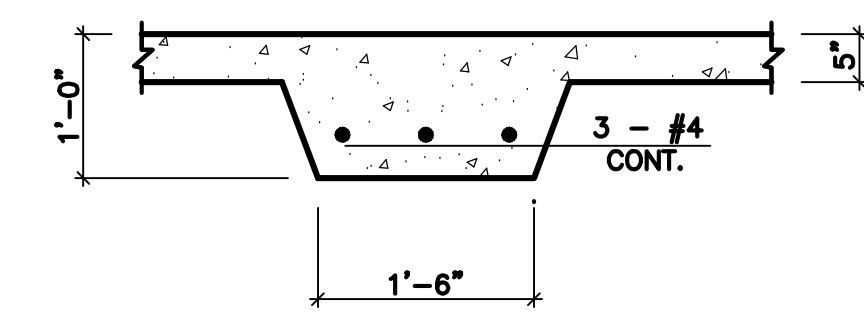
- CONTRACTOR SHALL BE RESPONSIBLE FOR BRACING ALL WORK DURING CONSTRUCTION.
- FOOTINGS ARE DESIGNED FOR AN ALLOWABLE BEARING CAPACITY OF 2000 P.S.F.
- CONCRETE SHALL HAVE A MINIMUM 28 DAY COMPRESSIVE STRENGTH OF 3000 P.S.I. WITH A 4" MAXIMUM SLUMP. DETAILS NOT SHOWN SHALL BE ACCORDING TO ACI 318 AND ACI 301 SPECIFICATIONS FOR CONCRETE CONSTRUCTION.
 - REINFORCING STEEL SHALL BE ASTM A-615 GRADE 60 (TIES MAY BE GRADE 40)
 - W.W.F. SHALL BE ASTM A-185
 - MINIMUM LAP: #4 - 28"
 - #5 - 32"
 - MINIMUM COVER: 3" U.N.O.
- C.J. ON PLANS INDICATE CONTROL JOINT 1/8" x 1 1/4" DEEP SAWN WITHIN 24 HOURS AFTER PLACING CONCRETE. METAL JOINT MATERIAL MAY BE USED.
- FOUNDATION BASED ON REACTIONS FURNISHED BY ARCO BUILDING SYSTEMS INC., JOB NO. 212575, DATED 3/12/2026.



SECTION 1
 SCALE: 3/4" = 1'-0"



SECTION 2
 SCALE: 3/4" = 1'-0"



SECTION 3
 SCALE: 3/4" = 1'-0"

| NO. | DATE | REVISION | BY |
|-----|------|----------|----|
| | | | |
| | | | |
| | | | |
| | | | |

FOUNDATION PLAN FOR:
ANTIOCH BAPTIST CHURCH
 LILLINGTON, NC

DRAWING NUMBER
4972

SHEET OF:
S-1 1