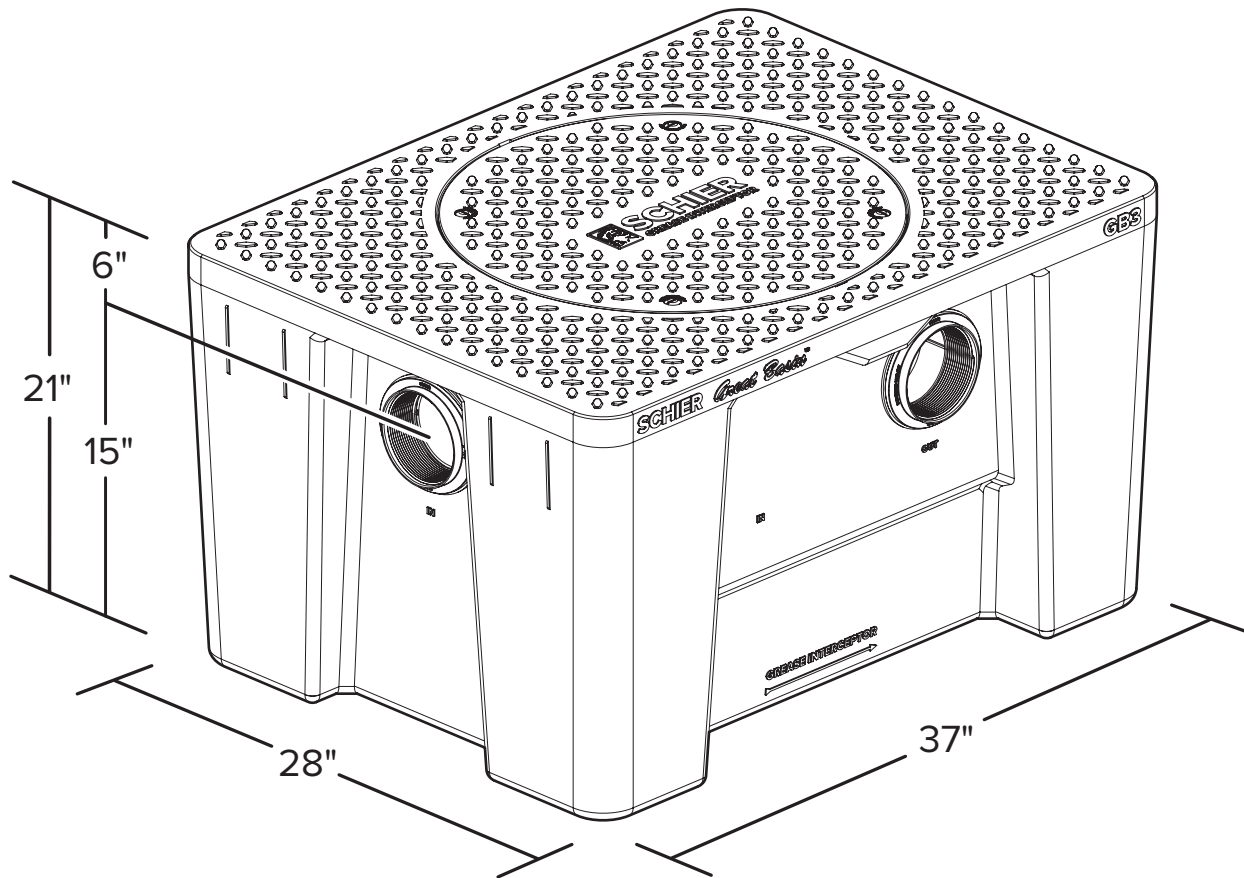


INSTALLATION GUIDE



Failure to follow this guidance will void your warranty

GB3 50 GPM Great Basin® indoor grease interceptor



Examine product for damage and read all instructions prior to installation.

Please report significant damage to customer service at (913)-951-3300.

Warranty is void if a damaged product is installed, or if the product is not installed in conformance with all local codes.

Schier recommends installation only by a licensed plumber.



SCHIER®

SPECIAL PRECAUTIONS

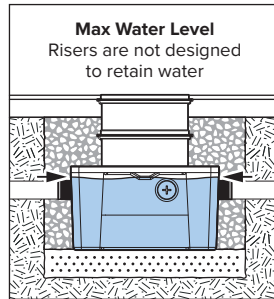


Failure to follow this guidance will void your warranty

PRESSURE TESTING

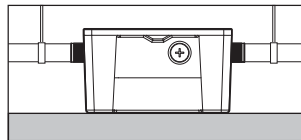
Do not pressure test the interceptor or riser system. Doing so may result in property damage, personal injury or death. The interceptor is intended for open system (vented) gravity drainage use only and should not be used in closed system pressure applications.

Before installation, the interceptor should be tested up to top of tank for water tightness. See page 5 for details. The risers are not designed to retain water and should not be water tested.



FULLY SUPPORT BASE OF UNIT

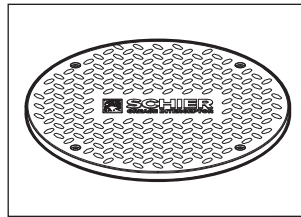
The interceptor should be installed on a solid, level surface in contact with the entire bottom of tank footprint.



COVER

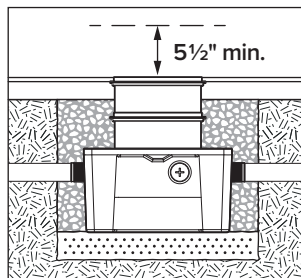
Indoor cover - polypropylene: C21M bolted polypropylene covers should be used for above grade and pedestrian rated applications. Not recommended for vehicle traffic or outdoor use.

Polypropylene cover, bolted 21", pedestrian rated to 450 lbs. (1,000 lbs. when buried with a riser).



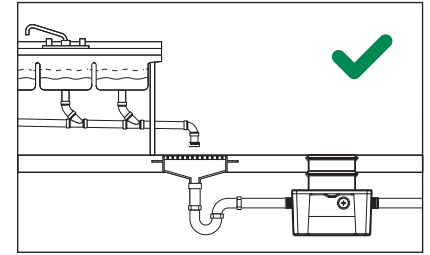
Required clearance above cover:

Allow at least 5½" of clearance above the interceptor for routine maintenance.

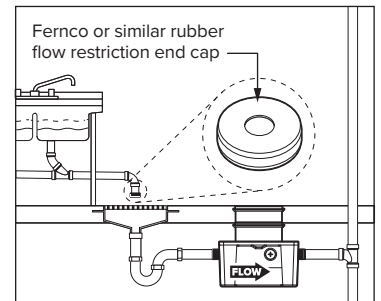


GENERAL INSTALLATION TIPS

Indoor installation only: The GB3 is recommended for indoor installation only and should not be installed outdoors.



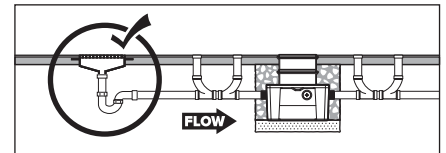
Overflow Warning: If your dishwashing sink(s) discharges into a floor sink, you may regulate the flow into the drain to avoid an overflow of water onto the kitchen floor. This can be done by installing a valve or flow restriction cap on the sink piping that discharges into the drain.



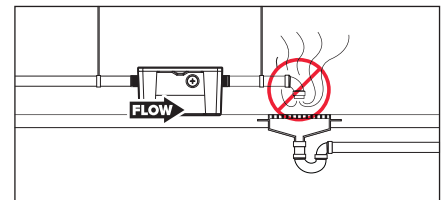
High temperature kitchen water: Wastewater entering the interceptor should not exceed 150° F. If wastewater temperatures will exceed 150° F, a drain water tempering valve (DTV) must be installed to cool the water.

Odor alert!

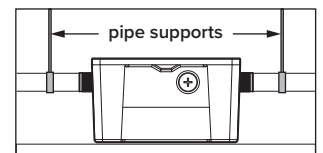
The interceptor is not a sewer gas trap. All upstream fixtures must be trapped.



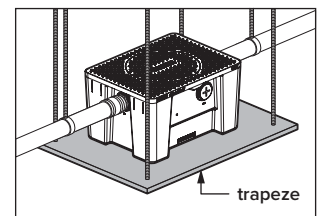
Do not install an air gap on the outlet side of the interceptor.



Support piping: Inlet and outlet piping must be properly supported.



Suspended installations: Design the trapeze by structural engineer to support the wet weight of the interceptor (404 lbs.). Fully support the base of the interceptor by installing on a solid, level surface in contact with the entire bottom footprint. Do not partially support with metal u-channel.



SPECIAL PRECAUTIONS



Failure to follow this guidance will void your warranty

HIGH GROUNDWATER LEVELS

High groundwater level warning:

Interceptors and risers are not intended to withstand groundwater levels higher than the top of the tank body. Exposure to such elevated groundwater levels may compromise the structural integrity of the interceptor. If there is risk of exposure to groundwater levels higher than the top of the tank body, the interceptor must be encased in concrete or installed inside a watertight concrete vault.

Please contact Schier for concrete encasement guidance.

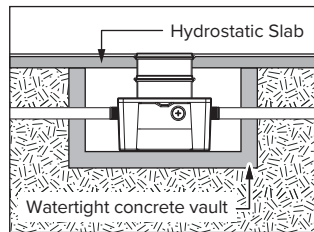
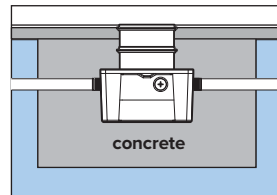
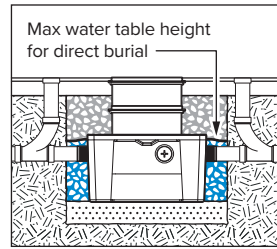
Determining groundwater levels:

High risk areas include coastal regions, floodplains and other areas susceptible to excessive stormwater accumulation.

When available, consult the geotechnical report to determine the elevation of the seasonal high groundwater level.

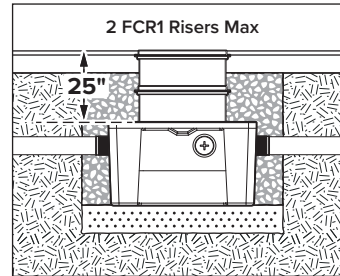
Hydrostatic/pressure slabs:

Hydrostatic slabs are designed to withstand upward groundwater pressure and water infiltration when the slab is located at an elevation lower than the water table or seasonal high groundwater level. If the interceptor and risers will be located underneath a hydrostatic slab, they must be installed inside a watertight concrete vault.



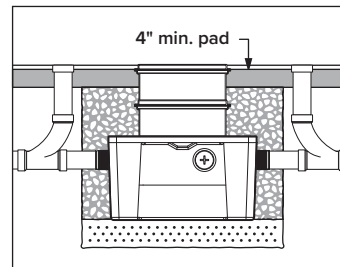
EXCAVATION, BACKFILL AND PAD

Maximum burial depth: The interceptor should not be buried deeper than 25" from the top of the unit to grade. For deeper burials contact customer support.

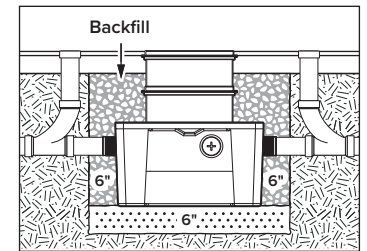


Concrete pad required at grade:

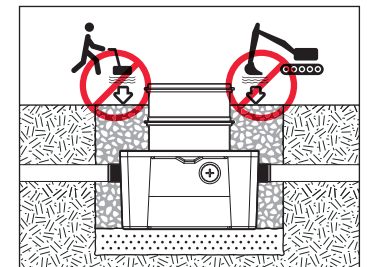
For all buried applications. See page 8 for details.



Approved backfill: Backfill must be clean, crushed stone approximately 1" in size (AASHTO M43 Size #57 or similar) free of debris and fines. **Native soil and sand are not approved backfill materials.**

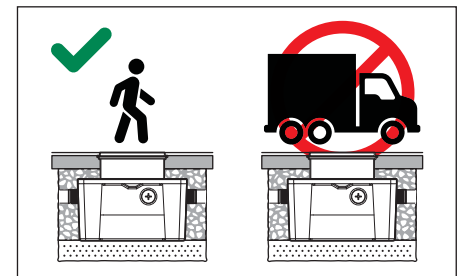


Do not compact backfill mechanically: Compact by hand only.

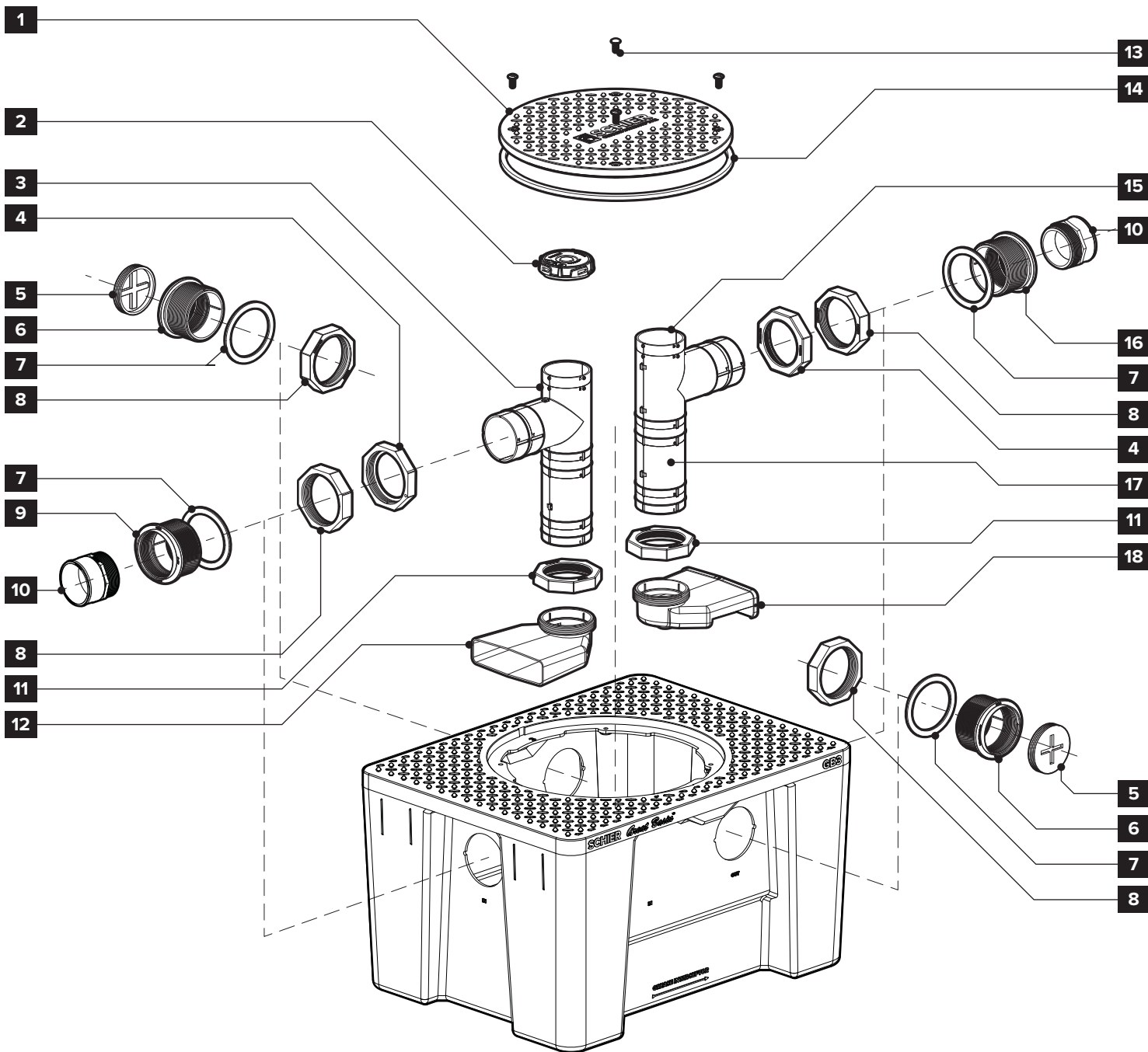


Pedestrian traffic only:

The GB3 should not be installed to receive vehicle traffic.

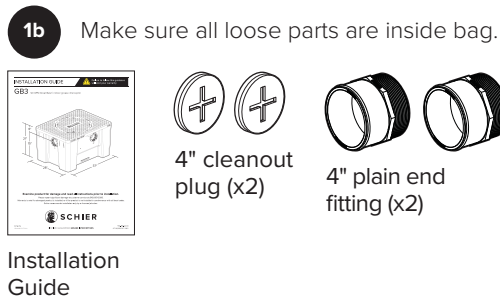


GETTING TO KNOW THE GB3



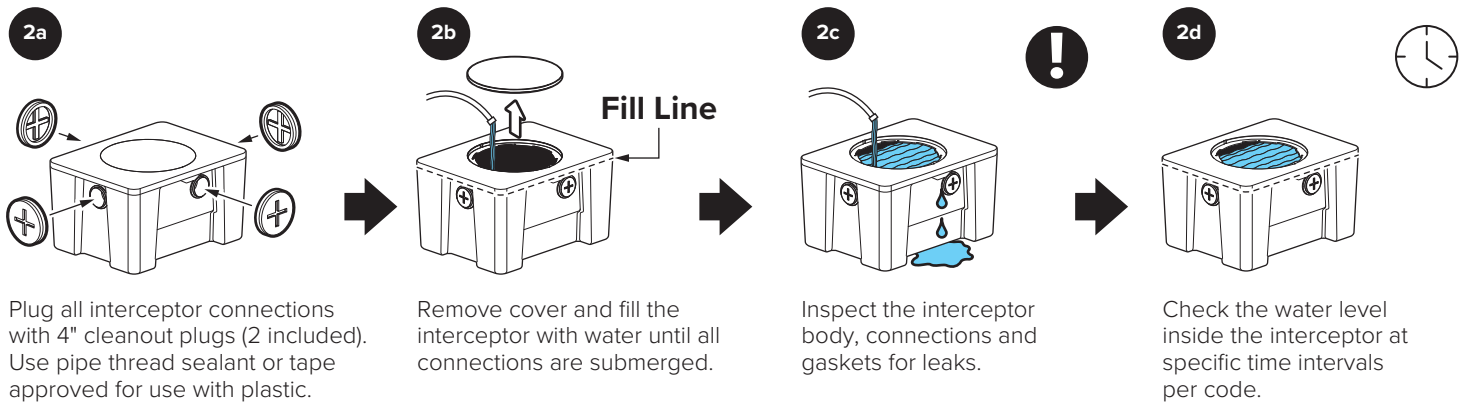
- | | | |
|--|--|---|
| <ul style="list-style-type: none"> 1. Cover 2. Inlet diffuser cap (white) 3. Inlet diffuser (top) 4. Diffuser retaining nuts (green) (x2) 5. 4" cleanout plugs (x2) 6. Optional side outlets 4" FPT (x2) 7. Connection fitting gaskets (x4) | <ul style="list-style-type: none"> 8. Bulkhead connection retaining nuts (black) (x4) 9. Inlet 4" FPT connection 10. 4" plain end fittings (x2) 11. Diffuser foot retaining nuts (green) (x2) 12. Inlet diffuser (foot) 13. Cover bolts (x4) | <ul style="list-style-type: none"> 14. Cover gasket 15. Air relief/visual access 16. Outlet 4" FPT connection 17. Outlet diffuser (top) 18. Outlet diffuser (foot) |
|--|--|---|

1 Remove loose parts bag



Missing Parts? Call customer support at 913-951-3300

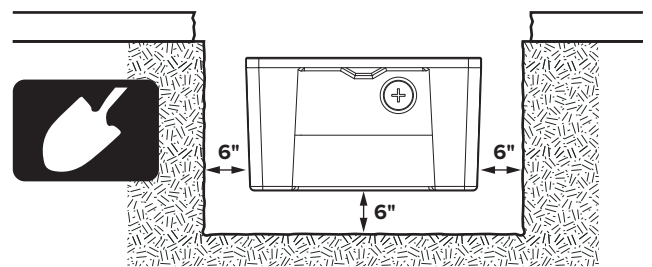
2 Test tank for water tightness



Have a Leak? Call customer support at 913-951-3300

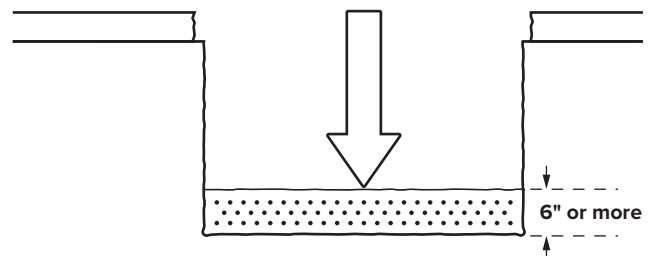
3 Excavate burial pit ONLY

Excavate the interceptor burial pit to at least 6" wider than the interceptor on all sides and 6" deeper than the interceptor bottom.



4 Fill base layer ONLY

Lay a level layer of well-packed, crushed aggregate at the base of the pit. Base layer material must be clean, crushed stone approximately 1" in size (AASHTO M43 Size #57 or similar) free of debris and fines. **Native soil and sand are not approved backfill materials.**



5 Configure outlet diffuser

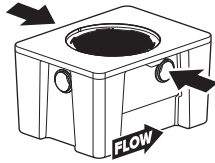
The GB3 is manufactured with three outlets. Only one outlet will be connected to the drainline and the other two must be plugged with the 4" cleanout plugs provided. The outlet diffuser comes pre-installed on the straight through end wall outlet connection.

If the straight through outlet connection will be used, **go to Step 5c.**

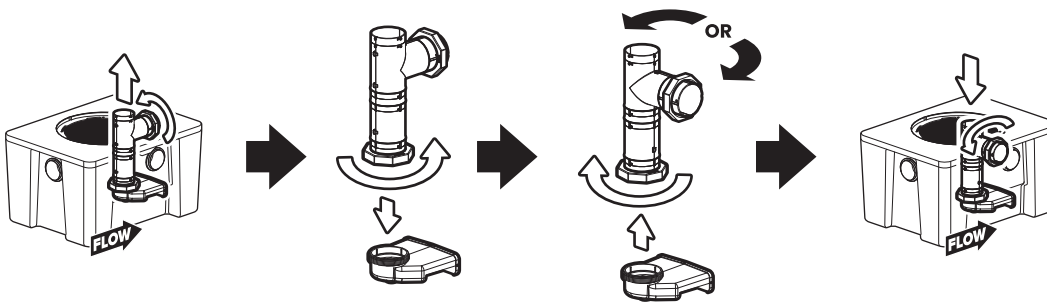
5a Choose the appropriate side outlet location

Side Outlet:

Go to Step 5b.



5b Reposition outlet diffuser from the straight through outlet to the chosen side outlet



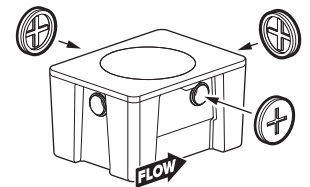
Untighten the green diffuser retaining nut and remove outlet diffuser.

Untighten the green diffuser foot retaining nut and remove outlet diffuser foot.

Rotate diffuser toward chosen outlet, replace foot ensuring it will point to the back wall of the interceptor and hand tighten the green foot retaining nut.

Insert diffuser into chosen outlet and hand tighten the green diffuser retaining nut.

5c Plug unused connections (all configurations)

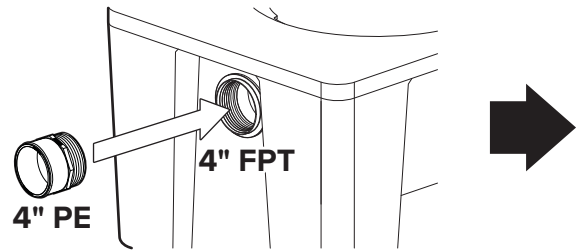


Plug the remaining two unused outlet connections with the 4" cleanout plugs provided using thread sealant or tape approved for use with plastics. **Do not plug the inlet or outlet connections with diffusers.**

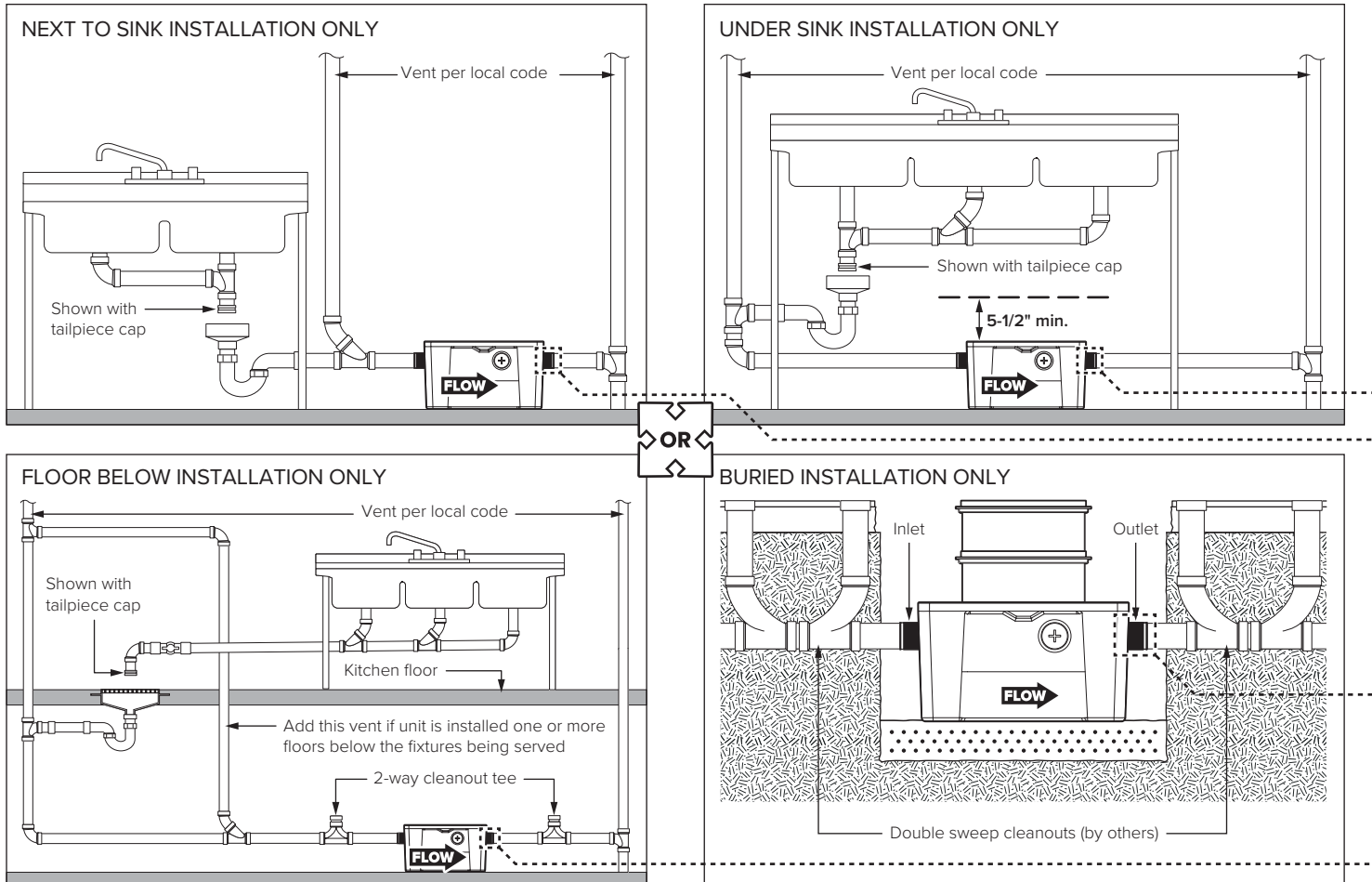
6 Connect piping to interceptor

6a Install plain end fittings

Screw plain end fittings (2 - 4" MPT x 4" plain end fittings provided) into the inlet and outlet bulkhead fittings on the interceptor using pipe thread sealant or tape approved for use with plastics. If 3" connections are needed, go to schierproducts.com/shop/plain-ea-34

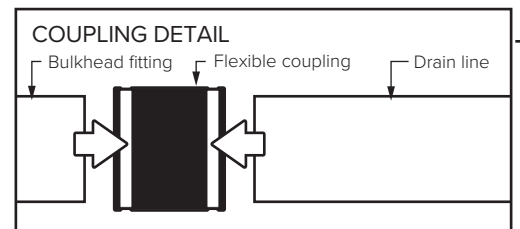


6b Connect the interceptor to drain lines



Place interceptor into final position and set level. Mechanically couple the inlet and outlet fittings to drainline using a flexible coupling. **Do not glue or solvent weld.**

Notes: Ensure all upstream fixtures are trapped. Vent the drainline per local code. The installation of 2-way cleanout tees is recommended for above grade installations. The installation of double sweep cleanouts or combination wyes is recommended for buried installations, check local code requirements to confirm acceptability.



7 Wet or air test piping per local code

⚠ WARNING! DO NOT AIR TEST UNIT OR RISER SYSTEM!
 Doing so may result in property damage, personal injury or death. The interceptor is intended for open system (vented) gravity drainage use only and should not be used in closed system pressure applications.

8 Bring covers flush-to-grade ONLY

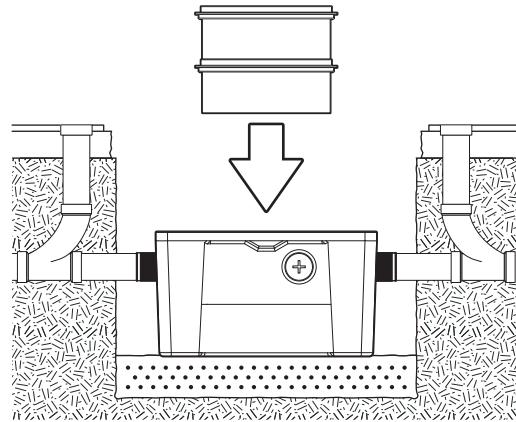
GB3 below grade installations require FCR1 risers to extend cover to grade.

8a Determine number of risers required

Measure the distance X from either the centerline of inlet, or the top of the tank to finished grade. Consult the chart below to determine the number of risers required.

RISER HEIGHT NEEDED MEASURED FROM		FCR1 risers required
Centerline of inlet	Top of tank	
6 - 18"	0 - 12"	1
18 - 31"	12 - 25"	2

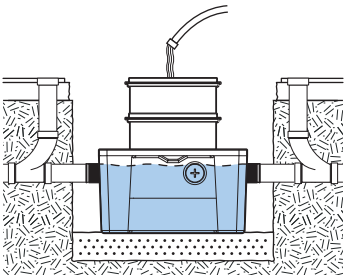
8b Install risers



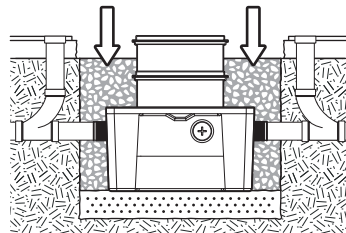
See instructions included with FCR1 riser.

9 Backfill around interceptor ONLY

9a Fill the interceptor with water



9b Add backfill



Backfill evenly around the interceptor and risers with clean, crushed stone approximately 1" in size (AASHTO M43 Size #57 or similar) free of debris and fines. **Native soil and sand are not approved backfill materials.**



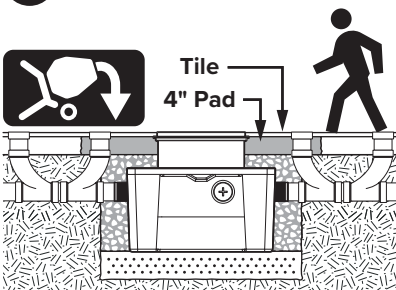
Failure to follow this guidance will void your warranty



DO NOT COMPACT BACKFILL
Note: Do not mechanically compact the backfill over top and around the interceptor.

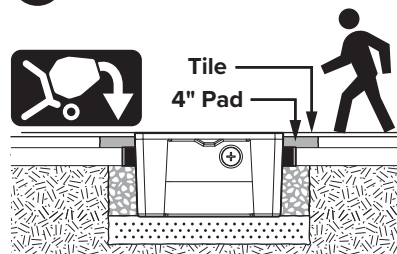
10 Concrete pad at grade required ONLY

10a Below grade with riser (preferred)



Finish with a minimum 4" thick concrete pad.

10b Flush-to-Grade Burials



Not recommended for heavy foot traffic areas. Finish with a minimum 4" thick concrete pad.



Failure to follow this guidance will void your warranty