



CAPE FEAR VALLEY HEALTH HARNETT HEALTH FIRE ALARM SYSTEM

JOHNSON CONTROLS CONTACTS

Sales Representative

GORDON GIBB
GORDON.GIBB@JCI.COM
PHONE:919-279-6411

Drawings Prepared By

THOMAS PALCZUK
THOMAS.PALCZUK-EXT@JCI.COM
PHONE:

Project Manager

HEATH KINNEY
HEATH.KINNEY@JCI.COM
PHONE:919-291-6724

Drawings Reviewed By

JOE SIMMONS
JOE.SIMMONS@JCI.COM
PHONE:919-455-9023



DISTRICT - 250
SUITE 105
RALEIGH, NC 27610
SERVICE 919-279-6400
PHONE: 919-279-6400
FAX: 919-255-3401

DRAWING INDEX

LEGENDS

APPLICABLE CODES & STANDARDS

PROJECT DIRECTORY

Site

DOROTHEA DIX ADOLESCENT PSYCHIATRIC UNIT
CRESTED IDRIS DR.
LILLINGTON, NC 27546

Johnson Controls District - 250

540 CIVIC BLVD, SUITE 105
RALEIGH, NC 27610
PHONE: 919-279-6400
FAX: 919-255-3401
SERVICE: 919-279-6400

General Contractor

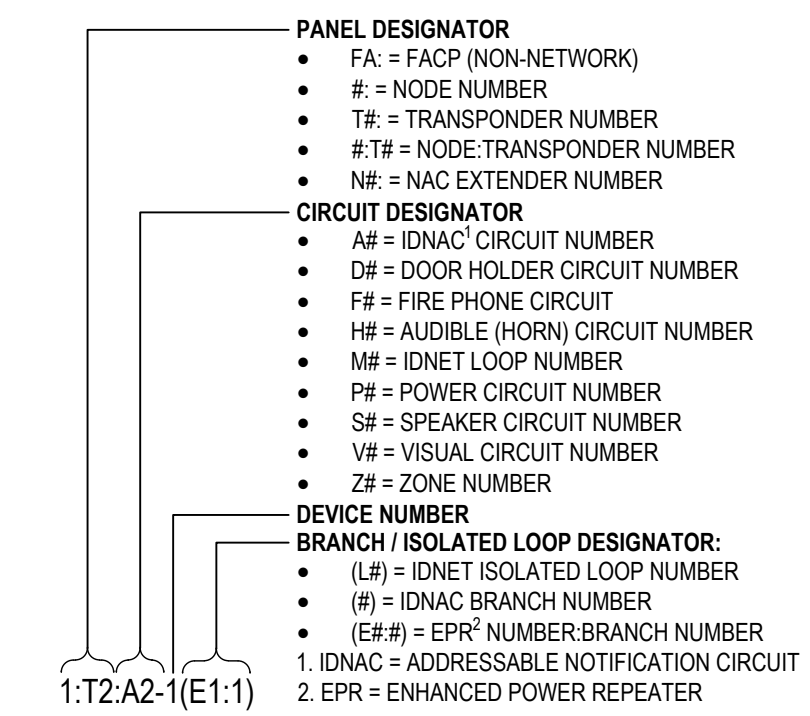
WATSON ELECTRICAL CONSTRUCTION
1500 CHARLESTON ST. SE.
WILSON, NC 27893

DESIGN STATEMENT

THIS PROJECT'S DESIGN IS BASED ON THE ENGINEERED PLANS AND SPECIFICATIONS PREPARED BY THE EAST GROUP

ARCHITECTURAL PLANS DATED:
MECHANICAL PLANS DATED:
ELECTRICAL PLANS DATED: 6/14/24
SPECIFICATIONS DATED:
ADDENDUM DATED:

DEVICE TAG LEGEND



Sheet Table

Sheet Number	Sheet Title
FA-001	COVER SHEET
FA-101	DEVICE PLACEMENT PLAN
FA-201	RISER DIAGRAM
FA-701	WIRING TYPICALS

FIRE ALARM SYMBOL LEGEND

SYMBOL	DESCRIPTION	BRAND / MODEL	BACKBOX	WIRE TYPE(S)
PANELS				
[FACP]	4010ES FIRE ALARM CONTROL PANEL, 120 VAC, 250 POINT, IDNET, 4 NAC, 4A, 48 LED DISPLAY, PLATINUM, ENGLISH	4010-9402	SIMPLEX CABINET	
[DIAL]	LTE UNIVERSAL WIRELESS COMMERCIAL FIRE ALARM COMMUNICATOR	DSC LE4010CF-AT		
[FAA]	SERIAL LCD ANNUNCIATOR (N2)	4606-9102	6-GANG BOX 3-1/2"D	B,P
INITIATING DEVICES				
[S]	SMOKE SENSOR, ADDRESSABLE, PHOTOELECTRIC W/ STANDARD BASE, ADDRESSABLE	4098-9714 HEAD 4098-9792 BASE	4" OCT, 1-1/2" D	M
[H]	HEAT SENSOR, ADDRESSABLE, STANDARD W/ STANDARD BASE, ADDRESSABLE	4098-9733 HEAD 4098-9792 BASE	4" OCT, 1-1/2" D	M
[F]	DOUBLE ACTION MANUAL PUSH/PULL STATION, ADDRESSABLE	4099-9006	4" SQ, 2-1/8" D W/ 3/4" SINGLE GANG COVER EXTENSION	M
[S]	DUCT SMOKE DETECTOR, ADDRESSABLE	4098-9755		M
[S]	SAMPLING TUBE, 24"	4098-9855	MOUNTS TO DUCTWORK	M
[S]	SAMPLING TUBE, 49"	4098-9856		M
MODULES AND RELAYS				
[AM]	INDIVIDUAL ADDRESSABLE MODULE	4090-9001	SINGLE GANG 2-1/2" D W/COVER	M,Z
[AM]	TRIM PLATE FOR SEMI-FLUSH MOUNTING	4090-9806		
[IDNET]	IDNET RELAY IAM, ADDRESSABLE	4090-9002	4" SQ, 2-1/8" D W/ COVER	M,R
[AM]	TRIM PLATE FOR SURFACE MOUNTING	4090-9802		
[AM]	INDIVIDUAL ADDRESSABLE MODULE, ENCAPSULATED, ADDRESSABLE	4090-9051	4-11/16" SQ, 1-1/2" D W/1-1/2" EXT RING	M,Z
[AM]	IAM MOUNTING BRACKET	4090-9810		
NOTIFICATION APPLIANCES				
[E]	ELUKA CHIMES-STROBE, CONVENTIONAL, CEILING MOUNT, MULTI CANDELA, CLEAR LENS, RED, FIRE LETTERING	WHEELOK ELCHSRC	4" SQ, 2-1/8" D	V
[E]	LED STROBE, CONVENTIONAL, CEILING MOUNT, MULTI CANDELA, CLEAR LENS, RED, FIRE LETTERING	WHEELOK ELSTRC	4" SQ, 1-1/2" D	V
MISCELLANEOUS DEVICES				
[K]	REMOTE TEST STATION W/ LED AND KEY SWITCH	2098-9806	SINGLE GANG 2" D	K
[SS]	OVERVOLTAGE SUPPRESSOR - IDNET OR POWER	2081-9044	4" SQ, 2-1/8" D	
[SS]	120V HYBRID SURGE PROTECTION DEVICE	SPACE AGE E120V-GT		
[MF]	WATERFLOW SWITCH	BY OTHERS WATERFLOW SWITCH		Z
[VS]	TAMPER SWITCH	BY OTHERS TAMPER SWITCH		Z
[DH]	DOOR HOLDER, 24/120V, FLUSH MOUNT, CHROME	RSGAAMES DH24120FPC		D

JURISDICTIONS WITHIN THE STATE MAY HAVE AMENDMENTS TO THE STATE ADOPTED CODE. CHECK WITH THE LOCAL JURISDICTION AUTHORITY FOR MORE DETAILS.

NORTH CAROLINA BUILDING CODE, 2018 EDITION (AMENDED INTERNATIONAL BUILDING CODE (IBC), 2015 EDITION)
NORTH CAROLINA STATE FIRE PREVENTION CODE, 2018 EDITION (AMENDED INTERNATIONAL FIRE CODE (IFC), 2015 EDITION)
NORTH CAROLINA STATE ELECTRICAL CODE, 2020 EDITION (AMENDED NATIONAL ELECTRIC CODE (NFPA 70), 2020 EDITION)
NATIONAL FIRE ALARM AND SIGNALING CODE (NFPA 72), 2019 EDITION

OCCUPANCY TYPE(S):

I-2 INSTITUTIONAL GROUP

SPRINKLER PROTECTION:

UNKNOWN

SCOPE OF WORK

PROVIDE AND INSTALL A NEW AUTOMATIC AND MANUAL FIRE ALARM SYSTEM AS SHOWN ON DRAWINGS.

WIRING IS CLASS B FOR NOTIFICATION APPLIANCE CIRCUITS, CLASS A FOR INITIATING DEVICE CIRCUITS, AND SIGNALING LINE CIRCUITS.

AUTOMATIC FIRE ALARM SYSTEM SHALL TRANSMIT THE ALARM, SUPERVISORY AND TROUBLE SIGNALS TO AN APPROVED SUPERVISING STATION. THE SUPERVISING STATION SHALL BE LISTED AS EITHER ULUF OR ULUS UNDERWRITERS LABORATORY OR SHALL MEET THE REQUIREMENTS OF FACTORY MUTUAL RESEARCH APPROVAL STANDARD 3011. SUPERVISION OF SYSTEM AND LEASED TELEPHONE LINES SHALL BE ARRANGED BY THE OWNER.

ABBREVIATIONS LEGEND

AC = ABOVE CEILING	NEC = NATIONAL ELECTRIC CODE
AFF = ABOVE FINISHED FLOOR	NFPA = NATIONAL FIRE PROTECTION ASSOCIATION
AHJ = AUTHORITY HAVING JURISDICTION	NIC = NOT IN CONTRACT
ALM = ALARM	NPU = NETWORK PROCESSING UNIT
ANN = ANNUNCIATOR	N.T.S. = NOT TO SCALE
BMS = BUILDING MANAGEMENT SYSTEM	PAP = PRE-ACTION PANEL
C = CEILING MOUNTED	RC = EXISTING TO REMOVE AND COVER
CD = CANDELA RATING	RD = EXISTING DEVICE TO BE RELOCATED
DET = DETECTOR	RL = RELOCATED DEVICE
DGP = DATA GATHERING PANEL	RR = REMOVE EXISTING & REPLACE WITH NEW
E = EXISTING TO REMAIN	SCC = STATUS COMMAND CENTER
EOL = END OF LINE	SLC = SIGNALING LINE CIRCUIT
EPO = EMERGENCY POWER OFF	SMK = SMOKE
ER = ELEVATOR RECALL	SUPV = SUPERVISORY
FAA = FIRE ALARM ANNUNCIATOR	TAC = TRUALERT ADDRESSABLE CONTROLLER
FACP = FIRE ALARM CONTROL PANEL	TOS = TOP OF SHAFT
FATO = FIRE ALARM TERMINAL CABINET	TRBL = TROUBLE
FBO = FURNISHED BY OTHERS	TS = TAMPER SWITCH
FCC = FIRE COMMAND CENTER	TYP = TYPICAL
FSD = FIRE SMOKE DAMPER	UON = UNLESS OTHERWISE NOTED
FTR = FIRE ALARM TRANSPOUNDER	VCC = VOICE COMMAND CENTER
H = HIGH HUMIDITY	VT = VALVE TAMPER
HT = HEIGHT	W = WATTAGE
HVAC = HEATING VENTILATION & AIR CONDITIONING	WI = WITH
IMS = INFORMATION MANAGEMENT SYSTEM	W/O = WITHOUT
MAX = MAXIMUM	WF = WATERFLOW
MIN = MINIMUM	WG = WIRE GUARD
NA = NOT APPLICABLE	WP = WEATHERPROOF
NAC = NOTIFICATION APPLIANCE CIRCUIT	XP = EXPLOSION PROOF
NDU = NETWORK DISPLAY UNIT	

GENERAL NOTES

- THESE DRAWINGS DEPICT GENERAL LOCATIONS OF LIFE SAFETY EQUIPMENT & FIELD DEVICES. EXACT ROUTING OF CONDUITS IS TO BE DETERMINED IN THE FIELD BY THE INSTALLING CONTRACTOR TO SUIT CONDITIONS. ALL CHANGES SHALL BE CLEARLY INDICATED ON THE RECORD DRAWINGS.
- SHOULD ANY CONDITIONS EXIST THAT DIFFER FROM WHAT IS INDICATED ON THESE DRAWINGS WHICH CAUSE MAJOR DEVIATIONS IN THE WORK SHOWN, THE CONTRACTOR SHALL CONTACT JOHNSON CONTROLS IN A TIMELY MANNER SO AS NOT TO IMPAIR THE CONSTRUCTION SCHEDULE.
- CONTRACTOR IS RESPONSIBLE FOR MAKING AND OBTAINING APPROVAL FOR ALL NECESSARY ADJUSTMENTS IN CIRCUITING AS REQUIRED TO ACCOMMODATE THE RELOCATION OF EQUIPMENT AND/OR DEVICES WHICH ARE AFFECTED BY ANY AUTHORIZED CHANGE. ALL CHANGES SHALL BE CLEARLY INDICATED ON THE RECORD DRAWINGS.
- A STAMPED SET OF APPROVED FIRE ALARM DRAWINGS SHALL BE AT THE JOB SITE AND SHALL BE USED FOR INSTALLATION.
- THE POWER CIRCUIT TO THE FACP AND TO THE FIRE ALARM POWER SUPPLIES SHALL BE ON A DEDICATED 120V, 20A BRANCH CIRCUIT BREAKER, AND SHALL HAVE A RED MARKING, LOCK-ON PROVISION AND SHALL BE IDENTIFIED AS "FIRE ALARM CIRCUIT CONTROL." THE LOCATION OF THE CIRCUIT DISCONNECT MEANS (CIRCUIT BREAKER) SHALL BE PERMANENTLY IDENTIFIED AT THE FIRE ALARM CONTROL UNIT.
- UPDATE THE AS-BUILT DRAWING SET DAILY WITH JOB PROGRESS. RETURN THE AS-BUILT DRAWING SET TO JOHNSON CONTROLS NO LATER THAN 7 DAYS AFTER FINAL TEST.
- THE CONTRACTOR WILL MAINTAIN ALL AREAS OF THE BUILDING IN A NEAT AND WORKMANLIKE MANNER.
- DO NOT APPLY POWER EXCEPT IN THE PRESENCE OF A FACTORY TRAINED JOHNSON CONTROLS TECHNICAL REPRESENTATIVE.
- ANY SMOKE DETECTOR HEAD INSTALLED BEFORE THE BUILDING IS CLEANED AND ACCEPTED SHALL BE COVERED TO PROTECT FROM DUST. ANY FALSE ALARMS DUE TO DIRT CONTAMINATED HEADS SHALL BE THE RESPONSIBILITY OF THE FIRE ALARM INSTALLER.
- THE FIRE ALARM INSTALLER WILL MAINTAIN THE FIRE RESISTANCE INTEGRITY OF ALL WALL, CEILING, AND ROOF ASSEMBLIES ANY TIME THAT WORK IS NOT ACTIVELY BEING PERFORMED.
- INSTALLATION OF DEVICES SHALL BE IN ACCORDANCE WITH MANUFACTURER'S INSTRUCTIONS. POWER LIMITED AND NON-POWER LIMITED FIELD WIRING MUST BE INSTALLED WITHIN THE FACP ENCLOSURE IN ACCORDANCE WITH MANUFACTURER'S INSTRUCTIONS AND APPLICABLE ELECTRICAL CODES. REFER TO 'APPLICABLE CODES & STANDARDS' FOR SPECIFIC CODE REFERENCES.
- ALL WIRING SHALL BE INSTALLED ACCORDING TO APPLICABLE ELECTRICAL CODES.
- FIRE ALARM CIRCUITS SHALL BE IDENTIFIED IN ACCORDANCE WITH APPLICABLE ELECTRICAL CODES. MARK ALL FIRE ALARM WIRES IN ACCORDANCE WITH APPLICABLE ELECTRICAL CODE SECTIONS FOR POWER LIMITED AND NON-POWER LIMITED WIRE.
- FIRE ALARM CABLE INSTALLED IN DUCTS, PLENUM, AND OTHER SPACES USED FOR ENVIRONMENTAL AIR SHALL BE TYPE FPLP.
- FIRE ALARM CABLE INSTALLED IN THE VERTICAL RUNS AND PENETRATING MORE THAN ONE FLOOR OR CABLES INSTALLED IN VERTICAL RUNS IN SHAFTS SHALL BE TYPE FPLP.
- FIRE ALARM CABLE INSTALLED IN UNDERGROUND CONDUIT OR OTHER WET LOCATIONS SHALL BE UL LISTED FOR WET LOCATIONS.
- FIRE ALARM CIRCUITS EXTENDING BEYOND ONE BUILDING AND RUN OUTDOORS SHALL BE INSTALLED IN ACCORDANCE WITH APPLICABLE ELECTRICAL CODES, WHERE APPLICABLE.
- ALL WIRING, INCLUDING SHIELDS MUST BE DRY AND FREE OF SHORTS AND GROUNDS.
- ALL SHIELDED WIRE MUST HAVE SHIELD CONTINUITY AT FULL LENGTH OF THE WIRE.
- ONLY SYSTEM WIRING CAN BE RUN IN THE SAME CONDUIT.
- 120VAC IS NOT PERMITTED IN THE SAME CONDUIT WITH LOW VOLTAGE WIRING.
- MAINTAIN MAXIMUM CONDUIT FILL RATIO AS PER APPLICABLE ELECTRICAL CODES REQUIREMENTS.
- EXISTING CONDUITS MAY BE USED BY THE INSTALLATION CONTRACTOR AS DEEMED NECESSARY; HOWEVER, ANY EXISTING CONDUIT WILL BE USED ONLY IF CONDUITS MEET CURRENT STANDARDS AND CODES. JOHNSON CONTROLS MAKES NO STATEMENTS WRITTEN OR VERBAL AS TO THE CONDITION OF EXISTING CONDUITS.

IMPORTANT NOTICE TO USER: This information may not be sold or transferred to any third party, used on other projects or additions to the project for which it was prepared, or used for completion of this project by any third party. Johnson Controls disclaims all liability for the use or reuse of altered files by the user or any third party and such use will be a user's sole risk. User shall, to the fullest extent permitted by law, defend, indemnify, and hold Johnson Controls harmless from any and all claims for loss, damage or injury arising directly or indirectly from any such unauthorized use.

FIRE ALARM WIRE LEGEND

CIRCUIT DESCRIPTION	CONSTRUCTION	GAUGE	CIRCUIT PROPERTIES	ACCEPTABLE CABLE TYPES				
				FPLR	FRP	THIN	TFIN	OUTDOOR *
B RUI + COMMUNICATION	UTP SOLID	18 AWG	58pF/ft. MAX CAPACITANCE, 35.5 Ω TOTAL LINE RESISTANCE	X	X			
D DOOR HOLDER	2 COND. SOLID	14 AWG		X	X	X	X	
K REMOTE TEST SWITCH/LED	(2) 2 COND. SOLID	14 AWG		X	X			
M IDNET	UTP SOLID	18 AWG	0.60µF MAX TOTAL LINE CAPACITANCE	X	X			
P POWER	2 COND. SOLID	14 AWG		X	X	X	X	
R RELAY	2 COND. SOLID	14 AWG		X	X	X	X	
V VISUAL	2 COND. SOLID	14 AWG		X	X			
Z ZONE CIRCUIT	2 COND. SOLID	14 AWG		X	X	X	X	
CONDUIT SIZE		MAX CONDUCTOR AREA	CONDUIT SIZE	MAX CONDUCTOR AREA				
1/2"		0.122 SQ. INCH*	1-1/4"	0.598 SQ INCH*				
3/4"		0.213 SQ INCH*	1-1/2"	0.814 SQ INCH*				
1"		0.346 SQ INCH*	2"	1.342 SQ INCH*				
* 40% CONDUIT FILL PER N.E.C.								
STP = SHIELDED TWISTED PAIR								
UTP = UNSHIELDED TWISTED PAIR								
ITEMS SUCH AS CAPACITANCE BETWEEN CONDUCTORS AND WIRE GAUGE CAN BE CRUCIAL TO THE CIRCUIT DESIGN OF THIS SYSTEM INSTALLATION. THE INSTALLING CONTRACTOR IS RESPONSIBLE FOR SELECTING AND INSTALLING CABLE MANUFACTURERS AND MODEL THAT MEETS OR EXCEEDS THE ABOVE REQUIREMENTS. RECOMMENDED CABLE MANUFACTURERS AND MODEL NUMBERS ARE AVAILABLE UPON REQUEST.								

ISSUE LOG	DATE	CD	CHK	DESCRIPTION	REVISIONS SHOWN WITH SYMBOL
MARK	10/23/25	TP	JS	REVISED PER ENGINEER COMMENTS	

REVISION 1

DRAWN BY:	T PALCZUK
CHECKED BY:	J SIMMONS
ISSUE DATE:	6/2/25
JOB #:	250659814
PROJECT #:	250.650659814
JOHNSON CONTROLS © 2026	

SYSTEM:

FIRE ALARM SYSTEM

SHEET:

COVER SHEET

FA-001

DOROTHEA DIX ADOLESCENT PSYCHIATRIC UNIT
CRESTED IDRIS DR.
LILLINGTON, NC 27546

CAPE FEAR VALLEY HEALTH
HARNETT HEALTH

REVISION 1

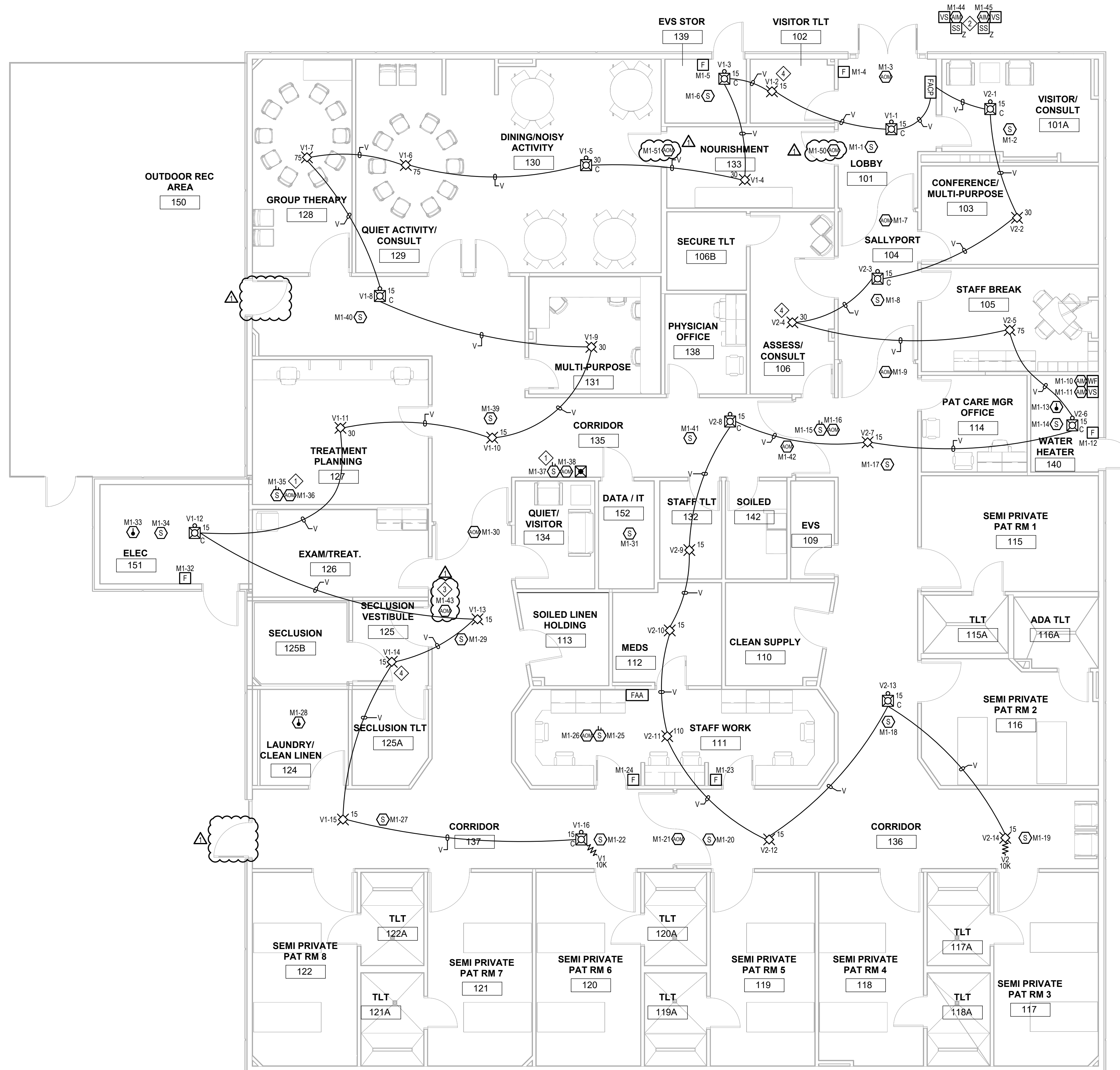
FA-001

FILE PATH: C:\Users\palczuk\johnson_controls\BTS-SP-Projects\Electronics-USA\0 - 250 Raleigh\10\Drawings\DX - Fire Alarm - 251656598 41X_System_Dwg\ADFA-101.dwg

LAST SAVED BY: JPALCZUK

LAST PRINTED: 2/13/2026 2:56:59 PM

24" x 36" Arch D Size



FIRST FLOOR - DEVICE PLACEMENT PLAN
SCALE: 3/16" = 1'-0"

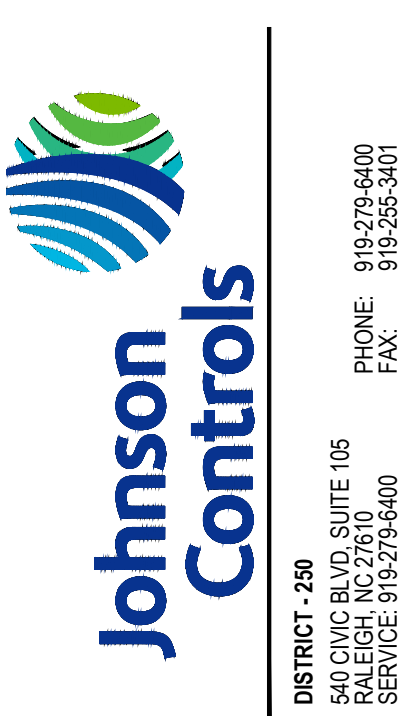
- GENERAL NOTES:**
- ALL CEILINGS ARE ASSUMED TO BE 10' A.F.F., SMOOTH CONSTRUCTION UNLESS NOTED OTHERWISE.
 - THE DEVICE ADDRESSES INDICATED ON THESE DRAWINGS ARE AN ALPHANUMERIC DESCRIPTION OF WHICH CIRCUIT THE DEVICE IS LOCATED ON. DEVICES MAY BE ASSIGNED A DIFFERENT NUMBER WITHIN THE PANEL PROGRAM. CONSULT WITH A JOHNSON CONTROLS TECHNICIAN BEFORE APPLYING A PHYSICAL LABEL TO ANY DEVICES.
- KEYNOTES:**
- COORDINATE DUCT DETECTOR AND REMOTE TEST STATION LOCATIONS PRIOR TO ROUGH-IN. DUCT DETECTORS AT FIRE/SMOKE DAMPERS WHEN ACTIVATED WILL ONLY NEED TO CLOSE RESPECTIVE DAMPER.
 - COORDINATE LOCATION FOR TAMPERS AND FLOW SWITCHES. COORDINATE THE EXACT BFP LOCATION WITH CIVIL CONTRACTOR.
 - SECLUSION ROOM LOCKS TO AUTOMATICALLY UNLOCK WHEN FIRE ALARM ACTIVATED.
 - INSTALL CLEAR POLYCARBONATE COVER OVER STROBE LIGHT.

FIRE ALARM SYMBOL LEGEND

SYMBOL	DESCRIPTION	BRAND / MODEL	BACKBOX	WIRE TYPE(S)
PANELS				
FAACP	4010ES FIRE ALARM CONTROL PANEL, 120 VAC, 250 POINT, IDNET, 4 NAC, 4A, 48 LED DISPLAY, PLATINUM, ENGLISH	4010-9402	SIMPLEX CABINET	
DIAL	LTE UNIVERSAL WIRELESS COMMERCIAL FIRE ALARM COMMUNICATOR	DSC LE4010CF-AT		
FAA	SERIAL LCD ANNUNCIATOR (N2)	4606-9102	6-GANG BOX 3-1/2"D	B,P
INITIATING DEVICES				
S	SMOKE SENSOR, ADDRESSABLE, PHOTOELECTRIC W/ STANDARD BASE, ADDRESSABLE	4098-9714 HEAD 4098-9792 BASE	4" OCT, 1-1/2" D	M
D	HEAT SENSOR, ADDRESSABLE, STANDARD W/ STANDARD BASE, ADDRESSABLE	4098-9733 HEAD 4098-9792 BASE	4" OCT, 1-1/2" D	M
F	DOUBLE ACTION MANUAL PUSH/PULL STATION, ADDRESSABLE	4099-9006	4" SQ, 2-1/8" D W/ 3/4" SINGLE GANG COVER EXTENSION	M
S	DUCT SMOKE DETECTOR, ADDRESSABLE	4098-9755	MOUNTS TO DUCTWORK	M
S	SAMPLING TUBE, 24"	4098-9855		
S	SAMPLING TUBE, 49"	4098-9856		
MODULES AND RELAYS				
AM	INDIVIDUAL ADDRESSABLE MODULE	4090-9001	SINGLE GANG 2-1/2" D W/COVER	M,Z
	TRIM PLATE FOR SEMI-FLUSH MOUNTING	4090-9806		
IR	IDNET RELAY I/M, ADDRESSABLE	4090-9002	4" SQ, 2-1/8" D W/ COVER	M,R
	TRIM PLATE FOR SURFACE MOUNTING	4090-9802		
AM2	INDIVIDUAL ADDRESSABLE MODULE, ENCAPSULATED, ADDRESSABLE	4090-9051	4-11/16" SQ, 1-1/2" D W/1-1/2" EXT RING	M,Z
	I/M MOUNTING BRACKET	4090-9810		
NOTIFICATION APPLIANCES				
#	ELUXA CHIME/STROBE, CONVENTIONAL, CEILING MOUNT, MULTI CANDELA, CLEAR LENS, RED, FIRE LETTERING	WHEELLOCK ELCHSRC	4" SQ, 2-1/8" D	V
#	LED STROBE, CONVENTIONAL, CEILING MOUNT, MULTI CANDELA, CLEAR LENS, RED, FIRE LETTERING	WHEELLOCK ELSTRC	4" SQ, 1-1/2" D	V
MISCELLANEOUS DEVICES				
RTS	REMOTE TEST STATION W/ LED AND KEY SWITCH	2098-9806	SINGLE GANG 2" D	K
SS	OVERVOLTAGE SUPPRESSOR - IDNET OR POWER	2081-9044	4" SQ, 2-1/8" D	
SS	120V HYBRID SURGE PROTECTION DEVICE	SPACE AGE E120V-GT		
WF	WATERFLOW SWITCH	BY OTHERS WATERFLOW SWITCH		Z
VS	TAMPER SWITCH	BY OTHERS TAMPER SWITCH		Z
DH	DOOR HOLDER, 24/120V, FLUSH MOUNT, CHROME	RS/GAAMES DH24120FPC		D

FIRE ALARM WIRE LEGEND

CIRCUIT DESCRIPTION	CONSTRUCTION	GAUGE	CIRCUIT PROPERTIES	FPLR	FLP	THIN	IFFN	OUTDOOR	CL
B RUI - COMMUNICATION	UTP SOLID	18 AWG	589pF MAX CAPACITANCE, 35.5 Ω TOTAL LINE RESISTANCE	X	X				
D DOOR HOLDER	2 COND. SOLID	14 AWG		X	X	X	X		
K REMOTE TEST SWITCH/LED	(2) 2 COND. SOLID	14 AWG		X	X				
M IDNET	UTP SOLID	18 AWG	0.60μF MAX TOTAL LINE CAPACITANCE	X	X				
P POWER	2 COND. SOLID	14 AWG		X	X	X	X		
R RELAY	2 COND. SOLID	14 AWG		X	X	X	X		
V VISUAL	2 COND. SOLID	14 AWG		X	X				
Z ZONE CIRCUIT	2 COND. SOLID	14 AWG		X	X	X	X		
CONDUIT SIZE		MAX CONDUCTOR AREA	CONDUIT SIZE	MAX CONDUCTOR AREA					
1/2"		0.122 SQ INCH*	1-1/4"	0.598 SQ INCH*					
3/4"		0.213 SQ INCH*	1-1/2"	0.814 SQ INCH*					
1"		0.346 SQ INCH*	2"	1.342 SQ INCH*					
*40% CONDUIT FILL PER N.E.C.									
STP = SHIELDED TWISTED PAIR									
UTP = UNSHIELDED TWISTED PAIR									
ITEMS SUCH AS CAPACITANCE BETWEEN CONDUCTORS AND WIRE GAUGE CAN BE CRITICAL TO THE CIRCUIT DESIGN OF THIS SYSTEM INSTALLATION. THE INSTALLING CONTRACTOR IS RESPONSIBLE FOR SELECTING AND INSTALLING CABLE MANUFACTURER AND MODEL THAT MEETS OR EXCEEDS THE ABOVE REQUIREMENTS. RECOMMENDED CABLE MANUFACTURERS AND MODEL NUMBERS ARE AVAILABLE UPON REQUEST.									



**CAPE FEAR VALLEY HEALTH
HARNETT HEALTH**
DOROTHEA DIX ADOLESCENT PSYCHIATRIC UNIT
CRESTED IDRIS DR.
LILLINGTON, NC 27546

ISSUE NO.	DATE	CD	CHK	DESCRIPTION	REVISIONS SHOWN WITH SYMBOL
MARK	10/23/25	TP	US	REVISOR PER ENGINEER COMMENTS	

REVISION 1

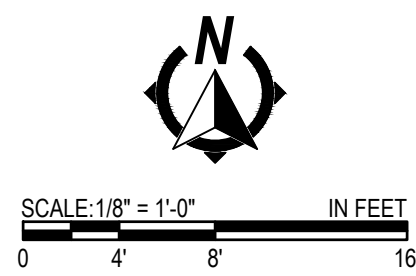
DRAWN BY: T PALCZUK
CHECKED BY: J SIMMONS
ISSUE DATE: 6/2/25
JOB #: 250659814
PROJECT #: 250650659814
JOHNSON CONTROLS © 2026

SYSTEM:
FIRE ALARM SYSTEM

SHEET:

DEVICE PLACEMENT PLAN

FA-101

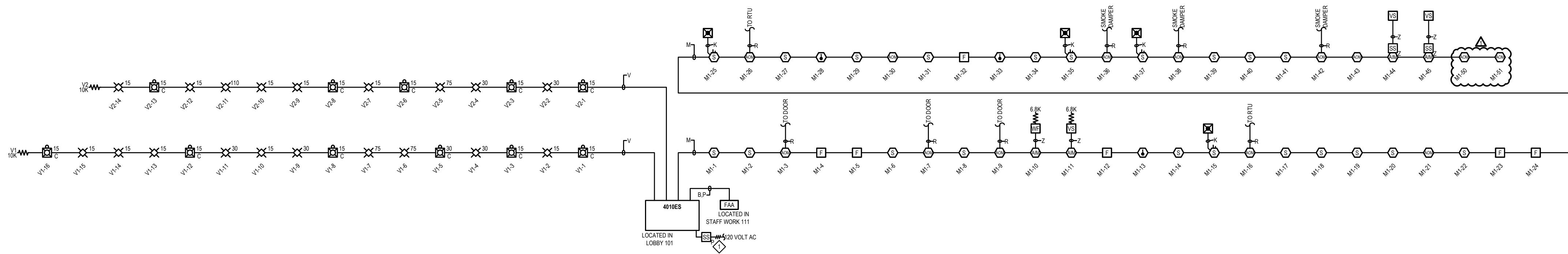


FILE PATH: C:\Users\jpalczuk\Documents\BTS-SP-Project\Electronics\USA-D-250-Raleigh\DD\Drawings\DX - Fire Alarm - 251656558\41X_System_Dwg\ADFA-201.dwg

LAST SAVED BY: JPALCZUK

LAST PRINTED: 2/13/2025 2:57:06 PM

24" x 36" Arch D Size



RISER DIAGRAM SCALE:N.T.S.

Table with columns: Module, Qty, Description, Standby Current, Total Standby, Alarm Current, Total Alarm. Includes sections for Panel Equipment, IDNet Addressable Devices (SLC), and Notification Appliances.

* Device Address current draw included below (See Additional Current Draws): IDNet cards include 40mA alarm current for 20 device LEDs in alarm in addition to base current listed on datasheet.

Battery Set #1 (Cabinet/Charger #1) table showing Standby Current, Standby Total, Alarm Current, and Alarm Total. Includes calculations for additional current draws and system totals.

IDNET CHANNEL M1 table with columns: Address, Device Type, Point Type, Location Description, and SWITCH SETTINGS (1-8).

NOTE: THE LABELS SHOWN ABOVE WILL BE USED FOR PROGRAMMING PURPOSES. THE LABELS ARE BASED UPON INFORMATION SHOWN ON THE ARCHITECTURAL DRAWINGS. ANY CHANGES TO THESE LABELS MUST BE NOTED ON THE SUBMITTAL REVIEW, PRIOR TO PROGRAMMING. POINTS SHOWN IN ITALIC TEXT REFER TO EXISTING DEVICES.

FIRE ALARM SYMBOL LEGEND

Table with columns: SYMBOL, DESCRIPTION, BRAND / MODEL, BACKBOX, WIRE TYPE(S). Lists various fire alarm components like panels, initiating devices, modules, and notification appliances.

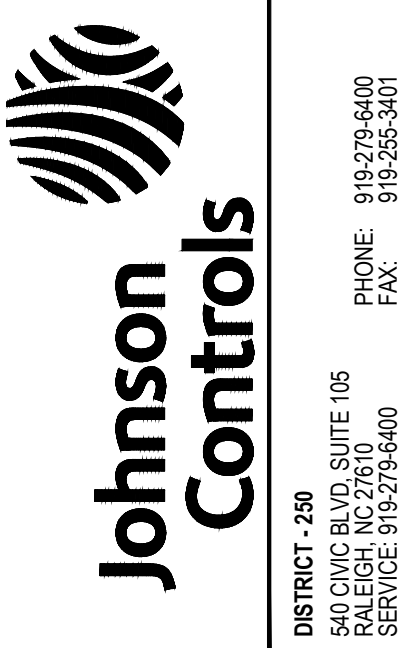
FIRE ALARM WIRE LEGEND

Table with columns: CIRCUIT DESCRIPTION, CONSTRUCTION, GAUGE, CIRCUIT PROPERTIES, and ACCEPTABLE CABLE TYPES. Lists wire specifications for different circuit types.

Table with columns: WIRE RESISTANCE BASED ON TABLE 8 FROM NATIONAL ELECTRICAL CODE, Power Supply, Panel Circuit, Plan Ckt., Dist. (D) Feet, Wire Gauge, Wire Res. / Ft. (R), Total Alarm (A), V. Drop (A^2D^2/R), Volt @ End, % Volt Drop, Min Device Voltage, Max Distance, PID Setting, Device Type, Supv. Current, Alarm Current, ELSTWC, ELCHSWC, ELCHSWC.

NOTE: LUMP SUM METHOD WAS USED TO CALCULATE ALLOWABLE VOLTAGE DROP. THIS METHOD ALLOWS FOR A SMALL MARGIN OF SAFETY. TAKING INTO CONSIDERATION THAT THE ACTUAL INSTALLED CIRCUIT ROUTING MAY DIFFER FROM WHAT IS SHOWN ON THE SHOP DRAWINGS...

- RISER NOTES: 1. RISER IS A DIAGRAMMATICAL REPRESENTATION OF THE SYSTEM ARCHITECTURE IN BUILDING CROSS SECTION... 2. ALL WIRING SHALL COMPLY WITH APPLICABLE ELECTRICAL CODES... KEYED NOTES: 120VAC PRIMARY POWER SOURCE SHALL BE A MECHANICALLY PROTECTED BRANCH CIRCUIT...



CAPE FEAR VALLEY HEALTH HARNETT HEALTH DOROTHEA DIX ADOLESCENT PSYCHIATRIC UNIT CRESTED IDRIS DR. LILLINGTON, NC 27546

Table with columns: ISSUE, DATE, CAD, CHK, DESCRIPTION, REVISIONS SHOWN WITH SYMBOL, MARK, TP, US, REVISED PER ENGINEER COMMENTS.

REVISION 1

DRAWN BY: T PALCZUK CHECKED BY: J SIMMONS ISSUE DATE: 6/2/25 JOB #: 250659814 PROJECT #: 250659814 JOHNSON CONTROLS © 2025

SYSTEM: FIRE ALARM SYSTEM SHEET:

RISER DIAGRAM

FA-201

