

2018 APPENDIX B
BUILDING CODE SUMMARY
FOR ALL COMMERCIAL PROJECTS
(EXCEPT 1 AND 2 FAMILY DWELLINGS AND TOWNHOUSES)

NAME OF PROJECT: T & L COATS BUILDING #1 (TENANT # "BLUE AGAVE MEXICAN GRILL")
 ADDRESS: HIGHWAY 27 COATS ZIP CODE: 27527
 OWNER/AUTHORIZED AGENT: ROBERT BAREFOOT PHONE #:(910) 890-3256 EMAIL: WRBAREFOOT@YAHOO.COM
 OWNED BY: CITY/COUNTY PRIVATE STATE
 CODE ENFORCEMENT JURISDICTION: CITY COUNTY HARNETT STATE
 LEAD DESIGN PROFESSIONAL: CRUSE & ASSOCIATES, P.A.
 DESIGNER FIRM NAME LICENSE # TELEPHONE NO. E-MAIL
 ARCHITECTURAL BUILDING CRUSE & ASSOCIATES, P.A. RANDY CRUSE, PE 18909 910-892-4429 RCRUSE@CRUSEASSOCIATES.COM
 CIVIL CRUSE & ASSOCIATES, P.A. RANDY CRUSE, PE 18909 910-892-4429 RCRUSE@CRUSEASSOCIATES.COM
 ELECTRICAL FIRE ALARM CRUSE & ASSOCIATES, P.A. RANDY CRUSE, PE 18909 910-892-4429 RCRUSE@CRUSEASSOCIATES.COM
 PLUMBING MECHANICAL CRUSE & ASSOCIATES, P.A. RANDY CRUSE, PE 18909 910-892-4429 RCRUSE@CRUSEASSOCIATES.COM
 SPRINKLER-STANDPIPE STRUCTURAL (FOUNDATION) CRUSE & ASSOCIATES, P.A. RANDY CRUSE, PE 18909 910-892-4429 RCRUSE@CRUSEASSOCIATES.COM
 RETAINING WALLS >5' HIGH OTHER
 ("OTHER" SHOULD INCLUDE FIRMS AND INDIVIDUALS SUCH AS TRUSS, PRECAST, PRE-ENGINEERED, INTERIOR DESIGNERS, ETC.)

2018 EDITION NC BUILDING CODE: NEW BUILDING ADDITION RENOVATION
 1ST TIME INTERIOR COMPLETIONS
 SHELL/CORE-CONTACT THE LEAD INSPECTION JURISDICTION FOR POSSIBLE ADDITIONAL PROCEDURES & REQUIREMENTS
 PHASED CONSTRUCTION-SHELL/CORE-CONTACT THE LEAD INSPECTION JURISDICTION FOR POSSIBLE ADDITIONAL PROCEDURES & REQUIREMENTS

2018 NC EXISTING BUILDING CODE: PRESCRIPTIVE REPAIR CHAPTER 14
 ALTERATION: LEVEL I LEVEL II LEVEL III
 HISTORIC PROPERTY CHANGE OF USE

CONSTRUCTED: (DATE) _____ CURRENT OCCUPANCY(S): (CH. 3) _____
 RENOVATED: (DATE) _____ PROPOSED OCCUPANCY(S) (CH. 3): _____
 OCCUPANCY CATEGORY (TABLE 1604.5): CURRENT: I II III IV
 PROPOSED: I II III IV

BASIC BUILDING DATA:
 CONSTRUCTION TYPE: I-A II-A III-A IV V-A
 I-B II-B III-B V-B
 SPRINKLERS: NO PARTIAL YES NFPA 13 NFPA 13R NFPA 13D
 STANDPIPES: NO YES CLASS I II III WET DRY
 PRIMARY FIRE DISTRICT: NO YES FLOOD HAZARD AREA: NO YES
 SPECIAL INSPECTIONS REQUIRED: NO YES (CONTACT THE LOCAL INSPECTION JURISDICTION FOR ADDITIONAL PROCEDURES & REQUIREMENTS)

GROSS BUILDING AREA:

FLOOR	EXISTING (SQ FT)	NEW (SQ FT)	SUB-TOTAL
3RD FLOOR			
2ND FLOOR			
MEZZANINE	7,000	3,500 (UPFIT)	
1ST FLOOR			
BASEMENT			
TOTAL GROSS AREA:	7,000		

TOTAL BUILDING = 7,000 SQ. FT.
 TENANT 1 = 3,500 SQ. FT.
 TENANT 2 = 3,500 SQ. FT.

ALLOWABLE AREA
 PRIMARY OCCUPANCY CLASSIFICATION(S):
 ASSEMBLY A-1 A-2 A-3 A-4 A-5
 BUSINESS
 EDUCATIONAL
 FACTORY F-1 MODERATE F-2 LOW
 HAZARDOUS H-1 DETONATE H-2 DEFLAGRATE H-3 COMBUST H-4 HEALTH H-5 HPM
 INSTITUTIONAL I-1 CONDITION 1 2
 I-2 CONDITION 1 2
 I-3 CONDITION 1 2 3 4 5
 I-4
 MERCANTILE
 RESIDENTIAL R-1 R-2 R-3 R-4
 STORAGE S-1 MODERATE S-2 LOW HIGH-PILED
 PARKING GARAGE OPEN ENCLOSED REPAIR GARAGE
 UTILITY AND MISCELLANEOUS

ACCESSORY OCCUPANCY CLASSIFICATION(S): _____
 INCIDENTAL USES (TABLE 509): _____
 SPECIAL USES (CHAPTER 4-LIST CODE SECTIONS): _____
 SPECIAL PROVISIONS (CHAPTER 5-LIST CODE SECTIONS): _____
 MIXED OCCUPANCY: NO YES SEPARATION: _____ HR. EXCEPTION: _____

NON-SEPARATED USE (508.3) THE REQUIRED TYPE OF CONSTRUCTION FOR THE BUILDING SHALL BE DETERMINED BY APPLYING THE HEIGHT AND AREA LIMITATIONS FOR EACH OF THE APPLICABLE OCCUPANCIES TO THE ENTIRE BUILDING. THE MOST RESTRICTIVE TYPE OF CONSTRUCTION, SO DETERMINED, SHALL APPLY TO THE ENTIRE BUILDING.
 SEPARATED USE (508.4) SEE BELOW FOR AREA CALCULATIONS FOR EACH STORY, THE AREA OF THE OCCUPANCY SHALL BE SUCH THAT THE SUM OF THE RATIOS OF THE ACTUAL FLOOR AREA OF EACH USE DIVIDED BY THE ALLOWABLE FLOOR AREA FOR EACH USE SHALL NOT EXCEED 1.

$$\frac{\text{ACTUAL AREA OF OCCUPANCY A}}{\text{ALLOWABLE AREA OF OCCUPANCY A}} + \frac{\text{ACTUAL AREA OF OCCUPANCY B}}{\text{ALLOWABLE AREA OF OCCUPANCY B}} \leq 1$$

STORY NO.	DESCRIPTION AND USE	(A) BLDG AREA PER STORY (ACTUAL)	(B) TABLE 506.2 AREA	(C) AREA FOR FRONTAGE INCREASE ^{1,5}	(D) ALLOWABLE AREA PER STORY OR UNLIMITED ^{2,3}
1	A-2	3,500	9,500	-	9,500

¹FRONTAGE AREA INCREASES FROM SECTION 506.2 ARE COMPUTED THUS:
 A. PERIMETER WHICH FRONTS A PUBLIC WAY OR OPEN SPACE HAVING 20 FEET MINIMUM WIDTH = _____ (F)
 B. TOTAL BUILDING PERIMETER = _____ (P)
 C. RATIO (F/P) = _____ (F/P)
 D. W = MINIMUM WIDTH OF PUBLIC WAY = _____ (W)
 E. PERCENT OF FRONTAGE INCREASE $\frac{1}{2}$ = $100[F/P - 0.25] \times W/30 =$ _____ (%)
²UNLIMITED AREA APPLICABLE UNDER CONDITIONS OF SECTION 507.
³MAXIMUM BUILDING AREA = TOTAL NUMBER OF STORIES IN THE BUILDING x D (MAXIMUM 3 STORIES) (506.2).
⁴THE MAXIMUM AREA OF OPEN PARKING GARAGES MUST COMPLY WITH 406.5.4.
⁵FRONTAGE INCREASE IS BASED ON THE UNSPRINKLERED AREA VALUE IN TABLE 506.2.

ALLOWABLE HEIGHT

	ALLOWABLE	SHOWN ON PLANS	CODE REFERENCE ¹
BUILDING HEIGHT IN FEET (TABLE 504.3) ²	FEET <u>55</u>	23'-8"	
BUILDING HEIGHT IN STORIES (TABLE 504.4) ³	STORIES <u>3</u>	STORIES <u>1</u>	

1. PROVIDE CODE REFERENCE IF THE "SHOWN ON PLANS" QUANTITY IS NOT BASED ON TABLE 504.3 OR 504.4.
 2. THE MAXIMUM HEIGHT OF AIR TRAFFIC CONTROL TOWERS MUST COMPLY WITH TABLE 412.3.1.
 3. THE MAXIMUM HEIGHT OF OPEN PARKING GARAGES MUST COMPLY WITH TABLE 406.5.4.

FIRE PROTECTION REQUIREMENTS

BUILDING ELEMENT	FIRE SEPARATION DISTANCE (FEET)	RATING REQ'D	RATING PROVIDED (W/ REDUCTION)	DETAIL AND SHEET #	DESIGN # FOR RATED ASSEMBLY	DESIGN # FOR RATED PENETRATION	DESIGN # FOR RATED JOINTS
STRUCTURAL FRAME, INCLUDING COLUMNS, GIRDERS, TRUSSES	-	0	-	-	-	-	-
BEARING WALLS	-	-	-	-	-	-	-
EXTERIOR	-	-	-	-	-	-	-
NORTH	0	-	-	-	-	-	-
EAST	0	-	-	-	-	-	-
WEST	0	-	-	-	-	-	-
SOUTH	0	-	-	-	-	-	-
INTERIOR	-	0	-	-	-	-	-
NONBEARING WALLS & PARTITIONS	-	-	-	-	-	-	-
EXTERIOR	-	-	-	-	-	-	-
NORTH	0	-	-	-	-	-	-
EAST	0	-	-	-	-	-	-
WEST	0	-	-	-	-	-	-
SOUTH	0	-	-	-	-	-	-
INTERIOR	-	0	-	-	-	-	-
FLOOR CONSTRUCTION INCLUDING SUPPORTING BEAMS AND JOISTS	-	0	-	-	-	-	-
FLOOR CEILING ASSEMBLY	-	-	-	-	-	-	-
COLUMNS SUPPORTING FLOORS	-	-	-	-	-	-	-
ROOF CONSTRUCTION INCLUDING SUPPORTING BEAMS AND JOISTS	-	0	-	-	-	-	-
ROOF CEILING ASSEMBLY	-	-	-	-	-	-	-
COLUMNS SUPPORTING ROOF	-	-	-	-	-	-	-
SHAFT ENCLOSURES-EXIT	-	-	-	-	-	-	-
SHAFT ENCLOSURES-OTHER	-	-	-	-	-	-	-
CORRIDOR SEPARATION	-	0	-	-	-	-	-
OCCUPANCY SEPARATION	-	-	-	-	-	-	-
PARTY/FIRE WALL SEPARATION	-	-	-	-	-	-	-
SMOKE BARRIER SEPARATION	-	-	-	-	-	-	-
TENANT/DWELLING UNIT SLEEPING UNIT SEPARATION	-	-	-	-	-	-	-
INCIDENTAL USE SEPARATION	-	-	-	-	-	-	-

*INDICATE SECTION NUMBER PERMITTING REDUCTION

PERCENTAGE OF WALL OPENING CALCULATIONS

FIRE SEPARATION DISTANCE (FEET) FROM PROPERTY LINES	DEGREE OF OPENINGS PROTECTION (TABLE 705.8)	ALLOWABLE AREA (%)	ACTUAL SHOWN ON PLANS (%)
82'	UP; NS	NO LIMIT	42%

LIFE SAFETY SYSTEM REQUIREMENTS:
 EMERGENCY LIGHTING: NO YES
 EXIT SIGNS: NO YES
 FIRE ALARM: NO YES
 SMOKE DETECTION SYSTEMS: NO YES PARTIAL _____
 CARBON MONOXIDE DETECTION: NO YES

LIFE SAFETY PLAN REQUIREMENTS:
 LIFE SAFETY PLAN SHEET #, IF PROVIDED LS-1 OF 1

ACCESSIBLE DWELLING UNITS N/A (SECTION 1107)

TOTAL UNITS	ACCESSIBLE UNITS REQUIRED	ACCESSIBLE UNITS PROVIDED	TYPE A UNITS REQUIRED	TYPE A UNITS PROVIDED	TYPE B UNITS REQUIRED	TYPE B UNITS PROVIDED	TOTAL ACCESSIBLE UNITS PROVIDED

ACCESSIBLE PARKING-SEE SITE PLAN-SEE SITE PLAN (SECTION 1106)

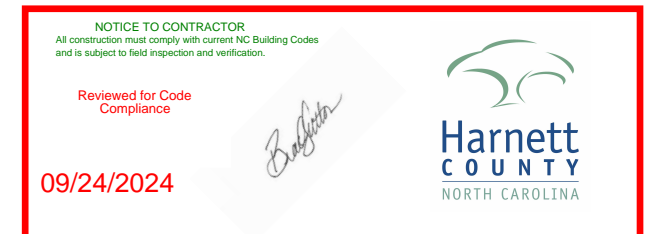
LOT OR PARKING AREA	TOTAL # OF PARKING SPACES		# OF ACCESSIBLE SPACES PROVIDED			TOTAL # ACCESSIBLE PROVIDED
	REQUIRED	PROVIDED	REGULAR WITH 5' ACCESS AISLE	VAN SPACES WITH 132" ACCESS AISLE	B' ACCESS AISLE	
	24	37	2			2

PLUMBING FIXTURE REQUIREMENTS-(TENANT-1) (TABLE 2902.1)

USE	WATERCLOSETS			URINALS	LAVATORIES			SERVICE SINK	DRINKING FOUNTAINS	
	MALE	FEMALE	UNISEX		MALE	FEMALE	UNISEX		REGULAR	ACCESSIBLE
SPACE REQUIRED	2	2	-	-	1	1	-	1	-	-
PROVIDED	1	2	-	1	1	1	-	1	-	-

*NC2902.6
 SPECIAL APPROVALS
 SPECIAL APPROVAL: (LOCAL JURISDICTION, DEPARTMENT OF INSURANCE, OSC, DPI, DHHS, ICC, ETC., DESCRIBE BELOW)

DESIGN LOADS:
 STRUCTURAL DESIGN-EXISTING BUILDING
 SNOW (S) 1.0
 SEISMIC (E) 1.0
 LIVE LOADS:
 ROOF 20 PSF
 MEZZANINE N/A PSF
 FLOOR 100 PSF
 GROUND SNOW LOAD: 15 PSF
 WIND LOAD: BASIC WIND SPEED 118 ULT MPH (ASCE-7)
 EXPOSURE CATEGORY B



SEISMIC DESIGN CATEGORY A B C D
 PROVIDE THE FOLLOWING SEISMIC DESIGN PARAMETERS:
 OCCUPANCY CATEGORY (TABLE 1604.5) I II III IV
 SPECTRAL RESPONSE ACCELERATION S_s 0.17 %g S₁ 0.08 %g
 SITE CLASSIFICATION (ASCE 7): A B C D E F
 DATA SOURCE: FIELD TEST PRESUMPTIVE HISTORICAL DATA

BASIC STRUCTURAL SYSTEM (CHECK ONE)
 BEARING WALL DUAL W/SPECIAL MOMENT FRAME
 BUILDING FRAME DUAL W/INTERMEDIATE R/C OR SPECIAL STEEL
 MOMENT FRAME INVERTED PENDULUM

ANALYSIS PROCEDURE SIMPLIFIED EQUIVALENT LATERAL FORCE DYNAMIC
 ARCHITECTURAL, MECHANICAL, COMPONENTS ANCHORED? YES NO

LATERAL DESIGN CONTROL: EARTHQUAKE WIND
 SOIL BEARING CAPACITIES:
 FIELD TEST (PROVIDE COPY OF TEST REPORT) _____ PSF
 PRESUMPTIVE BEARING CAPACITY 2,000 PSF
 PILE SIZE, TYPE, AND CAPACITY _____

ENERGY REQUIREMENTS:
 THE FOLLOWING DATA SHALL BE CONSIDERED MINIMUM AND ANY SPECIAL ATTRIBUTE REQUIRED TO MEET THE ENERGY CODE SHALL ALSO BE PROVIDED. EACH DESIGNER SHALL FURNISH THE REQUIRED PORTIONS OF THE PROJECT INFORMATION FOR THE PLAN DATA SHEET. IF PERFORMANCE METHOD, STATE THE ANNUAL ENERGY COST FOR THE STANDARD REFERENCE DESIGN VS THE ANNUAL ENERGY COST FOR THE PROPOSED DESIGN.
 EXISTING BUILDING ENVELOPE COMPLIES WITH CODE: NO YES (THE REMAINDER OF THIS SECTION IS NOT APPLICABLE)

EXEMPT BUILDING NO YES PROVIDE CODE OR STATUTORY REFERENCE: _____
 CLIMATE ZONE: 3A 4A 5A
 METHOD OF COMPLIANCE: ENERGY CODE PERFORMANCE PRESCRIPTIVE
 ASHRAE 90.1 PERFORMANCE PRESCRIPTIVE
 OTHER: PERFORMANCE (SPECIFY SOURCE) _____

THERMAL ENVELOPE (PRESCRIPTIVE METHOD ONLY)
 ROOF/CEILING ASSEMBLY (EACH ASSEMBLY):
 DESCRIPTION OF ASSEMBLY R-19 + R-11 LS WITH R-3 THERMAL BLOCKS
 U-VALUE OF TOTAL ASSEMBLY: N/A
 R-VALUE OF INSULATION: N/A
 SKYLIGHTS IN EACH ASSEMBLY: N/A
 U-VALUE OF SKYLIGHT: N/A
 TOTAL SQUARE FOOTAGE OF SKYLIGHTS IN EACH ASSEMBLY: N/A

EXTERIOR WALLS (EACH ASSEMBLY)
 DESCRIPTION OF ASSEMBLY R-0.0+R-15.8 CL WITH BRICK VENEER
 U-VALUE OF TOTAL ASSEMBLY: _____
 R-VALUE OF INSULATION: N/A
 OPENINGS (WINDOWS OR DOORS WITH GLAZING) DOUBLE PANE, H.M. FRAME
 U-VALUE OF ASSEMBLY 0.45 SOLAR HEAT GAIN COEFFICIENT: N/A
 PROJECTION FACTOR N/A DOOR R-VALUES 1.3

WALLS BELOW GRADE (EACH ASSEMBLY)
 DESCRIPTION OF ASSEMBLY N/A
 U-VALUE OF TOTAL ASSEMBLY: N/A R-VALUE OF INSULATION: N/A

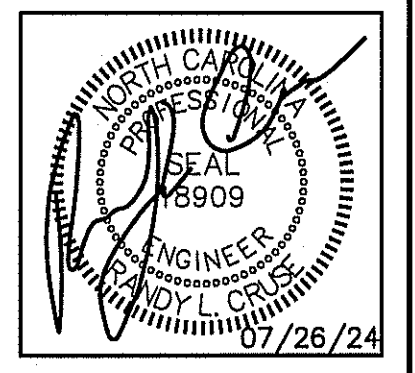
FLOORS OVER UNCONDITIONED SPACE (EACH ASSEMBLY)
 DESCRIPTION OF ASSEMBLY N/A
 U-VALUE OF TOTAL ASSEMBLY: N/A R-VALUE OF INSULATION: N/A

FLOOR SLAB ON GRADE
 DESCRIPTION OF ASSEMBLY SLAB-ON-GRADE
 R-VALUE OF INSULATION R-15 TO BOTTOM OF FOOTING
 U-VALUE OF TOTAL ASSEMBLY: _____
 HORIZONTAL / VERTICAL REQUIREMENT _____
 SLAB HEATED? NO

Summary:
 ENERGY CODE: 2018 NORTH CAROLINA STATE BUILDING CODE: ENERGY CONSERVATION CODE
 BUILDING CODE: 2018 NORTH CAROLINA STATE BUILDING CODE: BUILDING CODE
 MECHANICAL CODE: 2018 NORTH CAROLINA STATE BUILDING CODE: MECHANICAL CODE
 PLUMBING CODE: 2018 NORTH CAROLINA STATE BUILDING CODE: PLUMBING CODE
 ELECTRICAL CODE: 2020 NATIONAL ELECTRIC CODE
 ACCESSIBILITY CODE: ICC/ANSI 117.1-2009 AMERICAN NATIONAL STANDARD ACCESSIBLE AND USABLE BUILDINGS AND FACILITIES
 CONSTRUCTION: III-B
 OCCUPANCY: A-2

SHEET INDEX

BD-1 OF 1	APPENDIX B
LS-1 OF 1	LIFE SAFETY PLAN
F-1 OF 3	FLOOR PLAN
F-2 OF 3	EQUIPMENT PLAN
F-3 OF 3	HVAC PLATFORM DETAILS
P-1 OF 3	PLUMBING SUPPLY PLAN
P-2 OF 3	WASTE & VENT PIPING PLAN
P-3 OF 3	WASTE & VENT PIPING PLAN
M-1 OF 3	MECHANICAL HVAC PIPING PLAN
M-2 OF 3	GAS PIPING PLAN
M-3 OF 3	MECHANICAL DETAILS, SCHEDULES
E-1 OF 3	ELECTRICAL LIGHTING PLAN
E-2 OF 3	ELECTRICAL POWER PLAN
E-3 OF 3	ELECTRICAL NOTES, RISER DIAGRAM, PANELS



PLANS FOR:
 T&L COATS UP-FIT
 BLUE AGAVE MEXICAN GRILL
 COATS, NORTH CAROLINA

REVISIONS

NO.	DESCRIPTION

414 E. Johnston St.
 Durham, North Carolina 27604
 FAX: (910) 892-5182

Cruse
 And
 Associates, P.A.
 LICENSE NO.: C-1721

THESE DOCUMENTS ARE INSTRUMENTS OF SERVICE AND AS SUCH THESE DRAWINGS, DESIGNS, AND DESIGN CONCEPTS PRESENTED REMAIN THE PROPERTY OF THE ENGINEER. PUBLISH OR DUPLICATE THE DRAWINGS OR DESIGNS ONLY WITH THE WRITTEN PERMISSION OF THE ENGINEER.
 © COPY RIGHT

DATE 07-26-24
 DRAWN BY BAM
 JOB NO. 24-06

SHEET NO.
BD-1 OF 1

EXIT REQUIREMENTS:
NUMBER AND ARRANGEMENTS OF EXITS

FLOOR, ROOM OR SPACE DESIGNATION	MINIMUM ² NO. OF EXITS	TRAVEL DISTANCE	ARRANGEMENT MEANS OF EGRESS 1,3 (SECTION 1016-1021)			
			ALLOWABLE TRAVEL DISTANCE (TABLE 1017.2)	ACTUAL TRAVEL DISTANCE SHOWN ON PLANS	REQUIRED DISTANCE BETWEEN EXIT DOORS	ACTUAL DISTANCE SHOWN ON PLANS
A-2	2	3	200'	56'-0"	41'-0"	69'-7"

- CORRIDOR DEAD ENDS (SECTION 1020.4)
- BUILDINGS WITH SINGLE EXITS (TABLE 1006.3.2(2)), SPACES WITH ONE MEANS OF EGRESS (TABLE 1006.2.1)
- COMMON PATH OF TRAVEL (SECTION 1029.8)

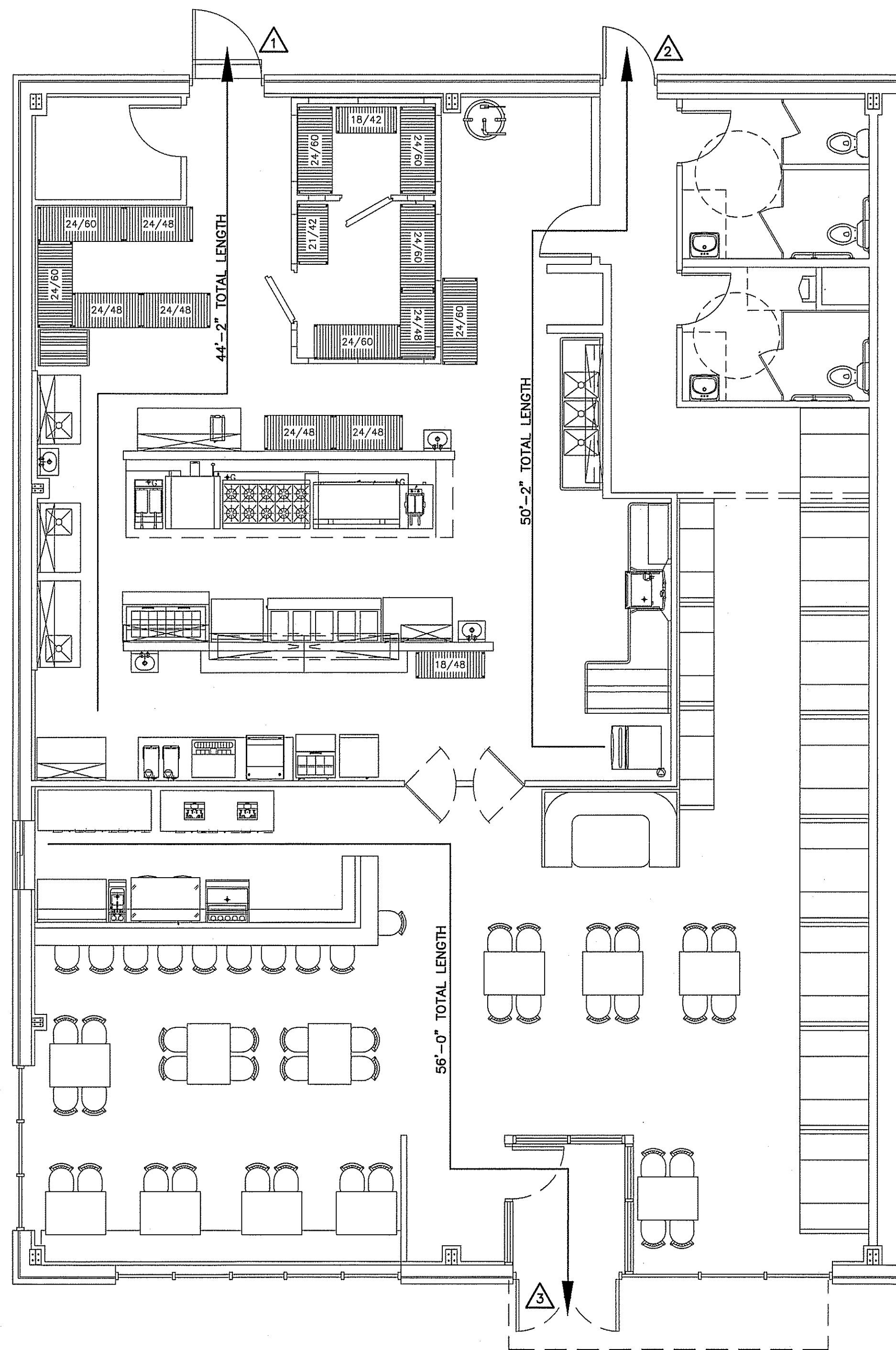
EXIT WIDTH

USE GROUP OR SPACE DESCRIPTION	(a)	(b)	CALCULATED OCCUPANT LOAD (a/b)	EGRESS WIDTH PER OCCUPANT (TABLE 1005.1)		REQUIRED WIDTH (SECTION 1005.1) (a/b) x c		ACTUAL WIDTH SHOWN ON PLANS	
				STAIR	LEVEL	STAIR	LEVEL	STAIR	LEVEL
A-2 (DINING)	2,000	FIXED SEATING	100	N/A	.2	N/A	20.0"	N/A	108"
KITCHEN	1,500	200 GROSS	8	N/A	.2	N/A	1.6"	N/A	48"

- SEE TABLE 1004.1.2 TO DETERMINE WHETHER NET OR GROSS AREA IS APPLICABLE. SEE DEFINITION "AREA, GROSS" AND "AREA, NET" (SECTION 1002, DEFINED IN CHAPTER 2)
- MINIMUM STAIRWAY WIDTH (SECTION 1011.2); MIN. CORRIDOR WIDTH (SECTION 1020.2); MIN. DOOR WIDTH (SECTION 1010.1.1)
- MINIMUM WIDTH OF EXIT PASSAGEWAY (SECTION 1024)
- SEE SECTION 1005.6 FOR CONVERGING EXITS.
- THE LOSS OF ONE MEANS OF EGRESS SHALL NOT REDUCE THE AVAILABLE CAPACITY TO LESS THAN 50% OF THE TOTAL REQUIRED (SECTION 1005.5)
- ASSEMBLY OCCUPANCIES (SECTION 1029)

NOTE:
AREA/ROOM/SPACE DESIGNATIONS USED ON LIFE SAFETY PLANS ARE EXCLUSIVE TO LIFE SAFETY PLAN ONLY, AND ARE NOT INDICATIVE OF ANY ACTUAL SPACE DESIGNATIONS USED ELSEWHERE.

- MAXIMUM CALCULATED OCCUPANT LOAD CAPACITY EACH EXIT DOOR CAN ACCOMMODATE BASED ON EGRESS WIDTH (1005.1)
- 47" CLEAR WIDTH DIVIDED BY .2" = 235 OCCUPANTS
CALCULATED OCCUPANCY PER EXIT = 10 PEOPLE
CALCULATED OCCUPANCY DOES NOT EXCEED MAXIMUM CAPACITY OF EXIT.
 - 35" CLEAR WIDTH DIVIDED BY .2" = 175 OCCUPANTS
CALCULATED OCCUPANCY PER EXIT = 50 PEOPLE
CALCULATED OCCUPANCY DOES NOT EXCEED MAXIMUM CAPACITY OF EXIT.
 - 70" CLEAR WIDTH DIVIDED BY .2" = 350 OCCUPANTS
CALCULATED OCCUPANCY PER EXIT = 50 PERSON
CALCULATED OCCUPANCY DOES NOT EXCEED MAXIMUM CAPACITY OF EXIT.



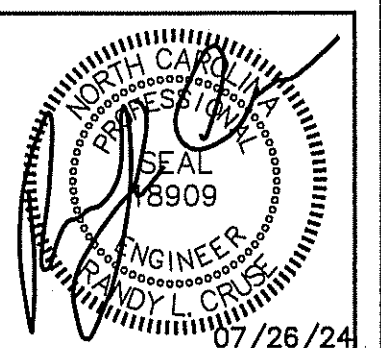
LIFE SAFETY PLAN
SCALE: 3/16" = 1'-0"

LIFE SAFETY PLAN REQUIREMENTS:

- FIRE AND/OR SMOKE RATED WALL LOCATIONS (CHAPTER 7) - SEE NOTE 1
- ASSUMED AND REAL PROPERTY LINE LOCATIONS - SEE NOTE 2
- EXTERIOR WALL OPENING AREA WITH RESPECT TO DISTANCE TO ASSUMED PROPERTY LINES (705.8) - SEE NOTE 3
- OCCUPANCY TYPES FOR EACH AREA AS IT RELATES TO OCCUPANT LOAD CALCULATION (TABLE 1004.1.2)
- OCCUPANT LOADS FOR EACH AREA
- EXIT ACCESS TRAVEL DISTANCES (1017)
- COMMON PATH OF TRAVEL DISTANCES (1006.2.1 & 1006.3.2(1))
- DEAD END LENGTHS (1020.4) - SEE NOTE 4
- CLEAR EXIT WIDTHS FOR EACH EXIT DOOR
- MAXIMUM CALCULATED OCCUPANT LOAD CAPACITY EACH EXIT DOOR CAN ACCOMMODATE BASED ON EGRESS WIDTH (1005.3)
- ACTUAL OCCUPANT LOAD FOR EACH EXIT DOOR
- A SEPARATE SCHEMATIC PLAN INDICATING WHERE FIRE RATED FLOOR/CEILING AND/OR ROOF STRUCTURE IS PROVIDED FOR PURPOSES OF OCCUPANCY SEPARATION. SEE NOTE 5
- LOCATION OF DOORS WITH PANIC HARDWARE (1010.1.10) - SEE NOTE 6
- LOCATION OF DOORS WITH DELAYED EGRESS LOOKS AND THE AMOUNT OF DELAY (1010.1.9.7) - SEE NOTE 7
- LOCATION OF DOORS WITH ELECTROMAGNETIC EGRESS LOCKS (1010.1.10) - SEE NOTE 7
- LOCATION OF DOORS EQUIPPED WITH HOLD-OPEN DEVICES - SEE NOTE 7
- LOCATION OF EMERGENCY ESCAPE WINDOWS (1030) - SEE NOTE 7
- THE SQUARE FOOTAGE OF EACH FIRE AREA (202) - SEE NOTE 8
- THE SQUARE FOOTAGE OF EACH SMOKE COMPARTMENT (407.5) - SEE NOTE 9
- NOTE ANY CODE EXCEPTIONS OR TABLE NOTES THAT MAY HAVE BEEN UTILIZED REGARDING THE ITEMS ABOVE

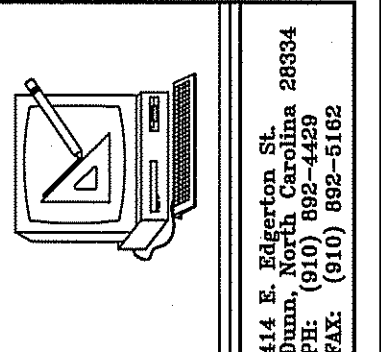
LIFE SAFETY PLAN NOTES:

- NO RATED WALLS.
- ALL ASSUMED AND REAL PROPERTY LINES >30'.
- UNLIMITED (ALL 30' OR GREATER)
- NO DEAD ENDS; 20' ALLOWED.
- NO RATING REQUIRED THIS STRUCTURE.
- PANIC HARDWARE REQUIRED ON ALL EXIT DOORS.
- NO DELAYED EGRESS LOOKS, ELECTROMAGNETIC LOCKS, HOLD OPEN DEVICES, OR EMERGENCY ESCAPE WINDOWS
- FIRE AREAS DO NOT EXCEED CODE ALLOWANCE
- BUILDING MEETS CODE REQUIREMENTS WITHOUT SUBDIVISION INTO SMOKE COMPARTMENTS; NO SMOKE COMPARTMENTS



PLANS FOR:
T&L COATS UP-FIT
BLUE AGAVE MEXICAN GRILL
COATS, NORTH CAROLINA

REVISIONS	
NO.	

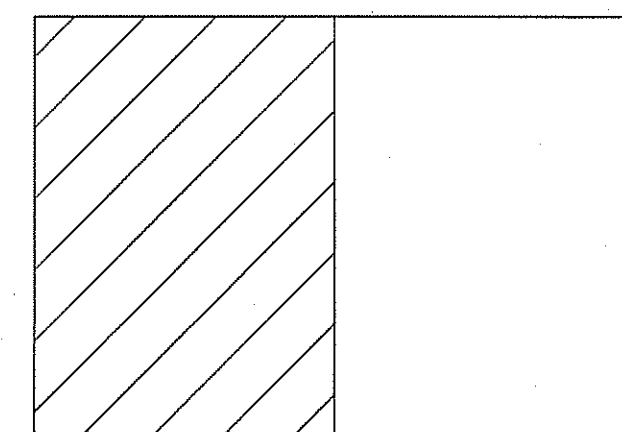


Cruse
And
Associates, P.A.
141 S. Elmwood Ct.
Durham, North Carolina 28834
TEL: (919) 895-4699
FAX: (919) 895-4102
LICENSE NO.: C-1724

THESE DOCUMENTS ARE INSTRUMENTS OF SERVICE AND AS SUCH THESE DRAWINGS, DESIGNS, AND DESIGN CONCEPTS PRESENTED REMAIN THE PROPERTY OF THE ENGINEER. PUBLISH OR DUPLICATE THE DRAWINGS OR DESIGNS ONLY WITH THE WRITTEN PERMISSION OF THE ENGINEER.
© COPY RIGHT

DATE 07-26-24
DRAWN BY BAM
JOB NO. 24-06

SHEET NO.
LS-1 OF 1



KEY PLAN

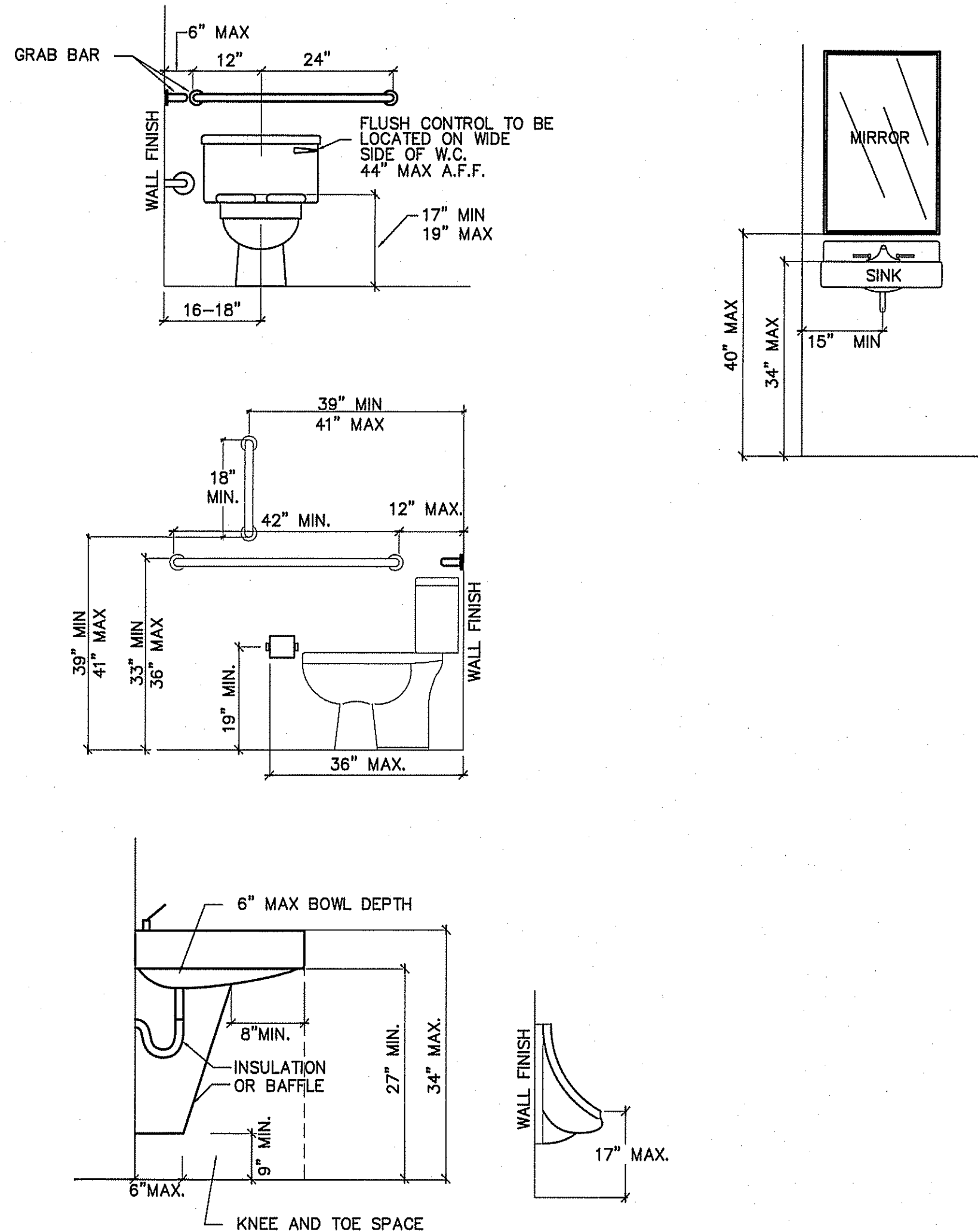
NOTES:

- ALL COLORS, TEXTURES, FINISHES, AND STYLES TO BE SELECTED BY OWNER IN ACCORDANCE WITH CODE REQUIREMENTS AND REQUIREMENTS OF ALL APPLICABLE AUTHORITIES HAVING JURISDICTION.
- PROVIDE SOUND PROOFING INSULATION IN WALLS AROUND RESTROOMS.
- MILLWORK DESIGNED AND PROVIDED BY OTHERS.
- RESTROOM FLOOR AND WALL FINISHES SHALL HAVE HARD, NONABSORBANT SURFACES AND COMPLY WITH NCSBC 1210.2.1 AND 1210.2.2
- PROVIDE WASHABLE SURFACES IN ALL KITCHEN AREAS AS REQUIRED BY LOCAL & STATE CODES.
- COORDINATE CAN WASH WALL LOCATIONS WITH FIXTURE ROUGH-IN REQUIREMENTS.

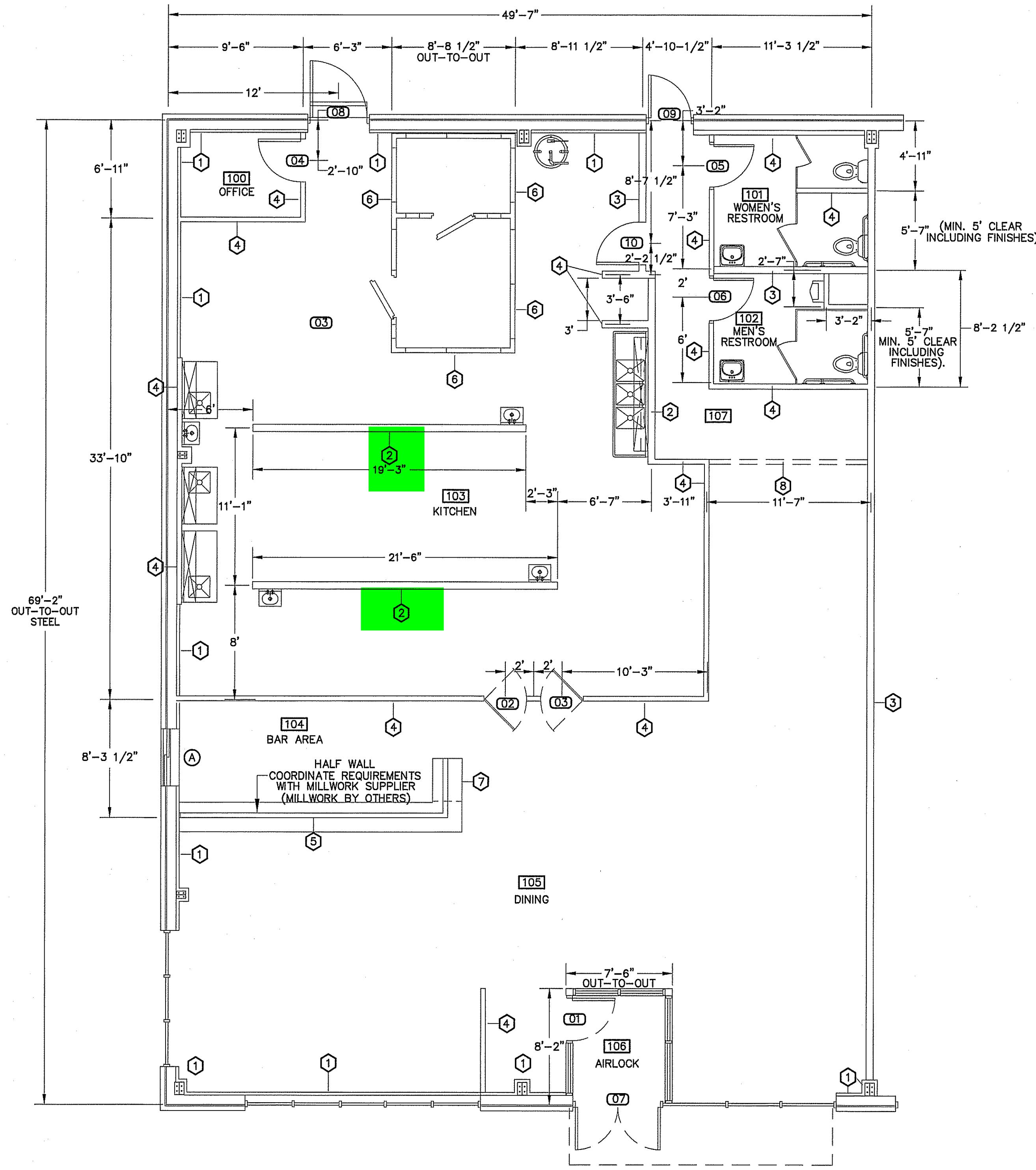
WALL LEGEND

- ① 2-1/2" FURRING STRIP @ 16" O.C. WITH 5/8" DRYWALL.
- ② 6", 18 GA. METAL STUDS @ 16" O.C., 5/8" DRYWALL, WITH S.S. BACKSLASH (BY OTHERS) (SEE DETAIL FOR WALL BRACING)
- ③ 2 X 6 WOOD STUDS @ 16" O.C., 5/8" DRYWALL. SEE WALL DETAIL.
- ④ 2 X 4 WOOD STUDS @ 16" O.C., 5/8" DRYWALL.
- ⑤ 2 X 4 WOOD STUDS @ 16" O.C., 5/8" DRYWALL "HALF-WALL". COORDINATE WITH MILLWORK MILLWORK BY OTHERS.
- ⑥ 2X4 WOOD STUDS @ 16" O.C., 5/8" DRYWALL. DIRECTLY ABOVE COOLER/FREEZER WALLS TO A HEIGHT 6" ABOVE THE ACOUSTICAL CEILING.
- ⑦ ADA COMPLIANT BAR SECTION
- ⑧ BULKHEAD DOWN TO 9'-6" A.F.F. (2 X 4 WOOD STUD @ 16" O.C.)

NOTE: SEE SHEET F-3 FOR HVAC PLATFORM LOCATIONS. WALLS SUPPORTING PLATFORMS TO EXTEND BEYOND CEILING. PLATFORM BEARING HEIGHT = 10'-6". INSTALL 2X2 ACOUSTICAL CEILING BELOW PLATFORM.



RESTROOM ACCESSIBILITY DETAILS
SCALE: 1/2" = 1'-0"



PROPOSED FLOOR PLAN
SCALE: 3/16" = 1'-0"

ROOM NO.	ROOM NAME	FLOOR				BASE		WALLS		CEIL. HT.		C.L.G.		REMARKS
		CONCRETE	TILE	LVCT	WOOD	WOOD	RUBBER	CMU (REPAINT)	5/8" DRYWALL	CERAMIC TILE	FRP	2X2 CEILING	EXISTING	
100	OFFICE	X				X	X	X	X	8'-0"	X			
101	WOMEN'S RESTROOM	X				X	X	X	X	8'-0"	X			
102	MEN'S RESTROOM	X				X	X	X	X	8'-0"	X			
103	KITCHEN	X				X	X	X	X	10'-0"	X			
104	BAR AREA	X				X	X	X	X	11'-0"	X			
105	DINING	X				X	X	X	X	11'-0"	X			
106	AIRLOCK	X				X	X	X	X	11'-0"	X			
107	CORRIDOR	X				X	X	X	X	10'-0"	X			

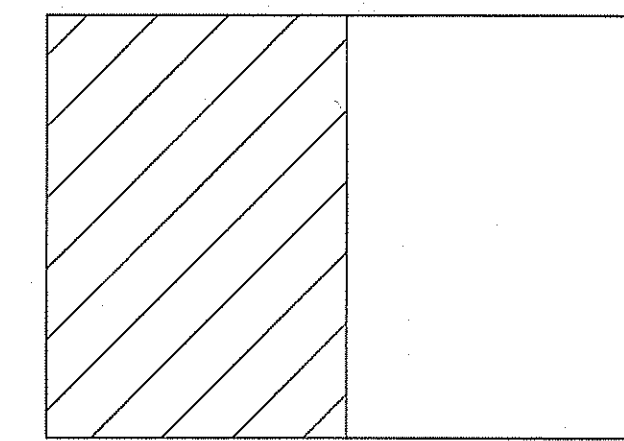
OWNER TO VERIFY ALL COLORS AND FINISHES BEFORE ORDERING MATERIALS

DOOR NO.	DOOR SIZE			REMARKS
	WIDE	HIGH	THICK.	
01	3'-0"	7'-0"	1 3/4"	NEW EXTERIOR STOREFRONT DOOR W/PANIC HARDWARE*
02	3'-0"	7'-0"	1 3/4"	TWO-WAY DOOR
03	3'-0"	7'-0"	1 3/4"	TWO-WAY DOOR
04	3'-0"	7'-0"	1 3/4"	NEW INTERIOR WOOD DOOR/H.M. FRAME/SITE GLASS
05	3'-0"	7'-0"	1 3/4"	NEW INTERIOR WOOD DOOR/H.M. FRAME*
06	3'-0"	7'-0"	1 3/4"	NEW INTERIOR WOOD DOOR/H.M. FRAME*
07	6'-0"	7'-0"	1 3/4"	NEW STOREFRONT EXTERIOR DOOR W/PANIC HARDWARE*
08	4'-0"	7'-0"	1 3/4"	NEW EXTERIOR METAL DOOR/H.M. FRAME W/PANIC HARDWARE*
09	3'-0"	7'-0"	1 3/4"	NEW EXTERIOR METAL DOOR/H.M. FRAME W/PANIC HARDWARE*
10	3'-0"	7'-0"	1 3/4"	NEW INTERIOR WOOD DOOR/H.M. FRAME*

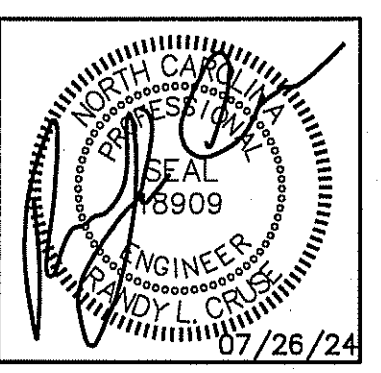
VERIFY TYPES AND SIZES WITH OWNER BEFORE ORDERING. PROVIDE ALL HARDWARE AS REQUIRED. ALL HARDWARE TO BE A.D.A. COMPLIANT. VERIFY HARDWARE FINISHES & STYLES WITH OWNER BEFORE ORDERING. *WITH CLOSER

MARK	WINDOW SIZE		REMARKS
	WIDE	HIGH	
A	2'-0"	5'-0"	SLIDING DRIVE THRU WINDOW

VERIFY WITH OWNER BEFORE BEGINNING CONSTRUCTION



KEY PLAN



PLANS FOR:
T&L COATS UP-FIT
BLUE AGAVE MEXICAN GRILL
COATS, NORTH CAROLINA

REVISIONS	
NO.	

Cruse And Associates, P.A.
 411 S. Salisbury St.
 Durham, North Carolina 27634
 TEL: (919) 998-4289
 FAX: (919) 998-0102
 LICENSE NO.: C-1721

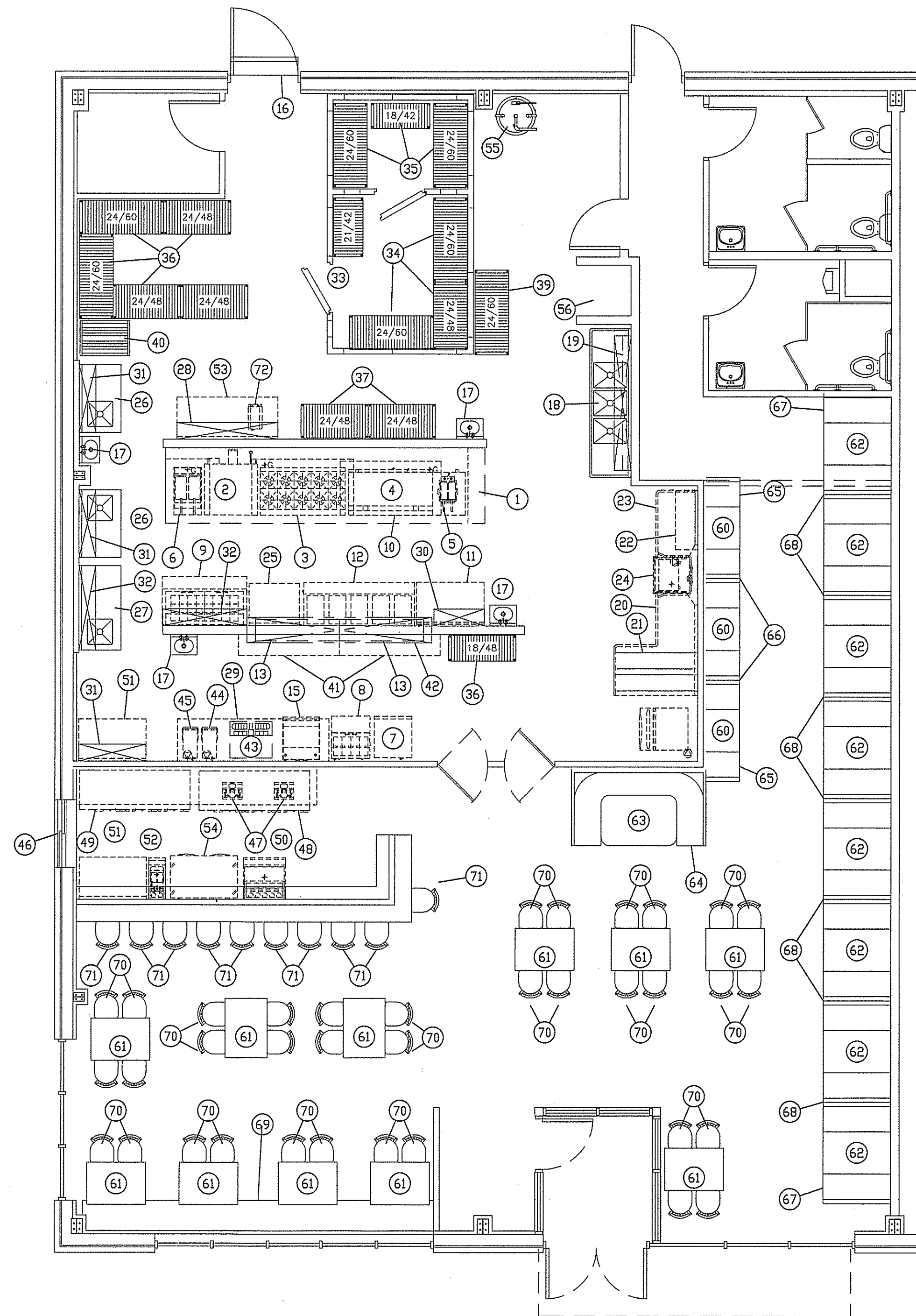
THESE DOCUMENTS ARE INSTRUMENTS OF SERVICE AND AS SUCH THESE DRAWINGS, DESIGNS, AND DESIGN CONCEPTS PRESENTED REMAIN THE PROPERTY OF THE ENGINEER. PUBLISH OR DUPLICATE THE DRAWINGS OR DESIGNS ONLY WITH THE WRITTEN PERMISSION OF THE ENGINEER.
© COPY RIGHT

DATE 07-26-24
DRAWN BY BAM
JOB NO. 24-06

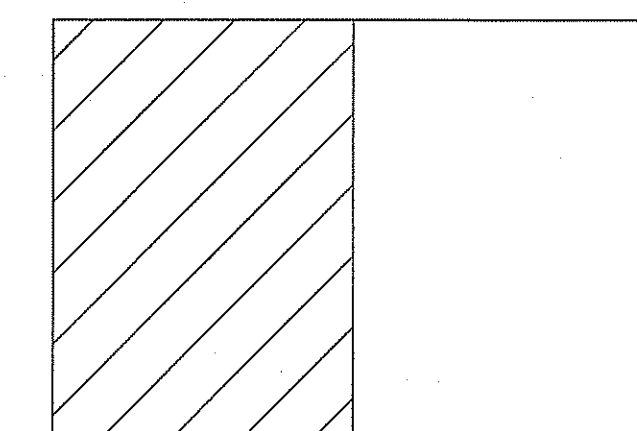
SHEET NO.
F-1 OF 3

ITEM	QUAN	DESCRIPTION	REMARKS
1	1	18'-0" x 54" EXHAUST HOOD SYSTEM	FIRE SUPPR.
2	1	CONVECTION OVEN	
3	1	10-Burner RANGE w/2-Ovens	
4	1	60" Counter-Top GRIDDLE	
5	1	Counter-Top ELECTRIC FRYER	
6	1	FRYER (70-90 Lb)	
7	1	1-Door REFRIGERATOR	
8	1	27" SANDWICH UNIT (8-Pan)	
9	1	60" Mega-Top SANDWICH UNIT (24-Pan)	
10	1	84" Refrigerated EQUIPMENT STAND	
11	1	48" Work-Top FREEZER	
12	1	5-Well HOT FOOD UNIT	
13	2	60" Dual HEAT LAMP	
14	1	ICE MACHINE w/Storage Bin	Water Filter
15	1	CHIP WARMER	
16	1	48" FLY FAN w/Micro-Switch	
17	4	S/S HAND SINK w/Slide Splashes	
18	1	3-Compartment SINK w/2-24" DB's	18" x 24" Bowls
19	1	12" x 96" S/S WALL SHELF w/Pot Rack	
20	1	66" x 60" S/S Soiled DISH TABLE w/Pre-Rinse	
21	1	60" S/S Double-Sided RACK SHELF	
22	1	42" S/S Slanted RACK SHELF	
23	1	48" S/S Clean DISH TABLE	
24	1	Door-Type DISH MACHINE	
25	1	30" x 36" S/S WORK TABLE	
26	2	30" x 48" S/S PREP TABLE w/Sink	18" x 18" Bowl
27	1	30" x 60" S/S PREP TABLE w/Sink	18" x 18" Bowl
28	1	12" x 72" S/S WALL SHELF	
29	1	30" x 9" S/S BEV. COUNTER w/2-Glass Racks	
30	1	12" x 36" S/S WALL SHELF	
31	3	12" x 48" S/S WALL SHELF	
32	1	12" x 60" S/S WALL SHELF	
33	1	15'-5" x 8'-8.5" WALK-IN COOLER/FREEZER	
34	4	Walk-In Cooler SHELVING UNIT	
35	3	Walk-In Freezer SHELVING UNIT	
36	6	Dry Storage SHELVING UNIT	
37	2	Dish Storage RACK	Drive-Thru
38	-	SPARE #	
39	1	Mobile POT/PAN STORAGE RACK	
40	1	CAN RAN RACK	
41	2	15" x 72" S/S DISH STORAGE CABINET	
42	1	18" x 11'-0" Double PASS-THRU SHELF	
43	1	BEVERAGE	BY Others
44	1	TEA BREWER	
45	1	COFFEE BREWER	
46	1	DRIVE-THRU WINDOW	BY Others
47	2	BEER TOWER (4-Faucets)	Mntd on #48
48	1	78" Refrigerated BACK BAR UNIT	Food-Rated
49	1	78" Refrigerated BACK BAR UNIT	Food-Rated
50	1	30" ICE CHEST w/Cold Plate/Bottle Rail	
51	2	30" x 48" S/S WORK TABLE	
52	1	BAR HAND SINK/DUMP SINK COMBO	
53	1	30" x 72" S/S WORK TABLE	
54	1	48" Work-Top FREEZER w/Drawers	
55	1	WATER HEATER	SEE NOTE 1. BY Others
56	1	CAN WASH	BY Others
60	3	30" x 24" TABLE	BY Others
61	11	30" x 42" TABLE	BY Others
62	11	30" x 48" TABLE	BY Others
63	1	36" x 54" TABLE	BY Others
64	1	96" x 54" Half BOOTH	BY Others
65	2	24" Single BOOTH	BY Others
66	2	24" Double BOOTH	BY Others
67	2	48" Single BOOTH	BY Others
68	7	48" Double BOOTH	BY Others
69	1	21'-0" BENCH SEAT	BY Others
70	36	CHAIR	BY Others
71	10	STOOL	BY Others
72	1	POWER DRIVE UNIT	

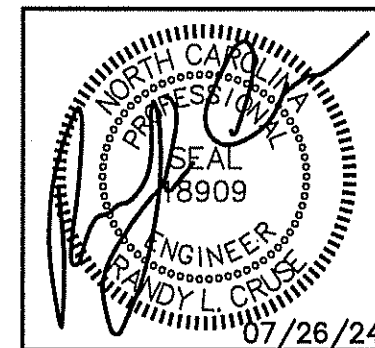
1. WITH 7.5 KW, 208V, 3Ø, BOOSTER HEATER



EQUIPMENT PLAN
SCALE: 3/16" = 1'-0"

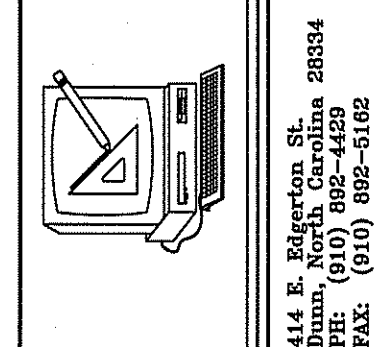


KEY PLAN



PLANS FOR:
T&L COATS UP-FIT
BLUE AGAVE MEXICAN GRILL
COATS, NORTH CAROLINA

REVISIONS	
NO.	

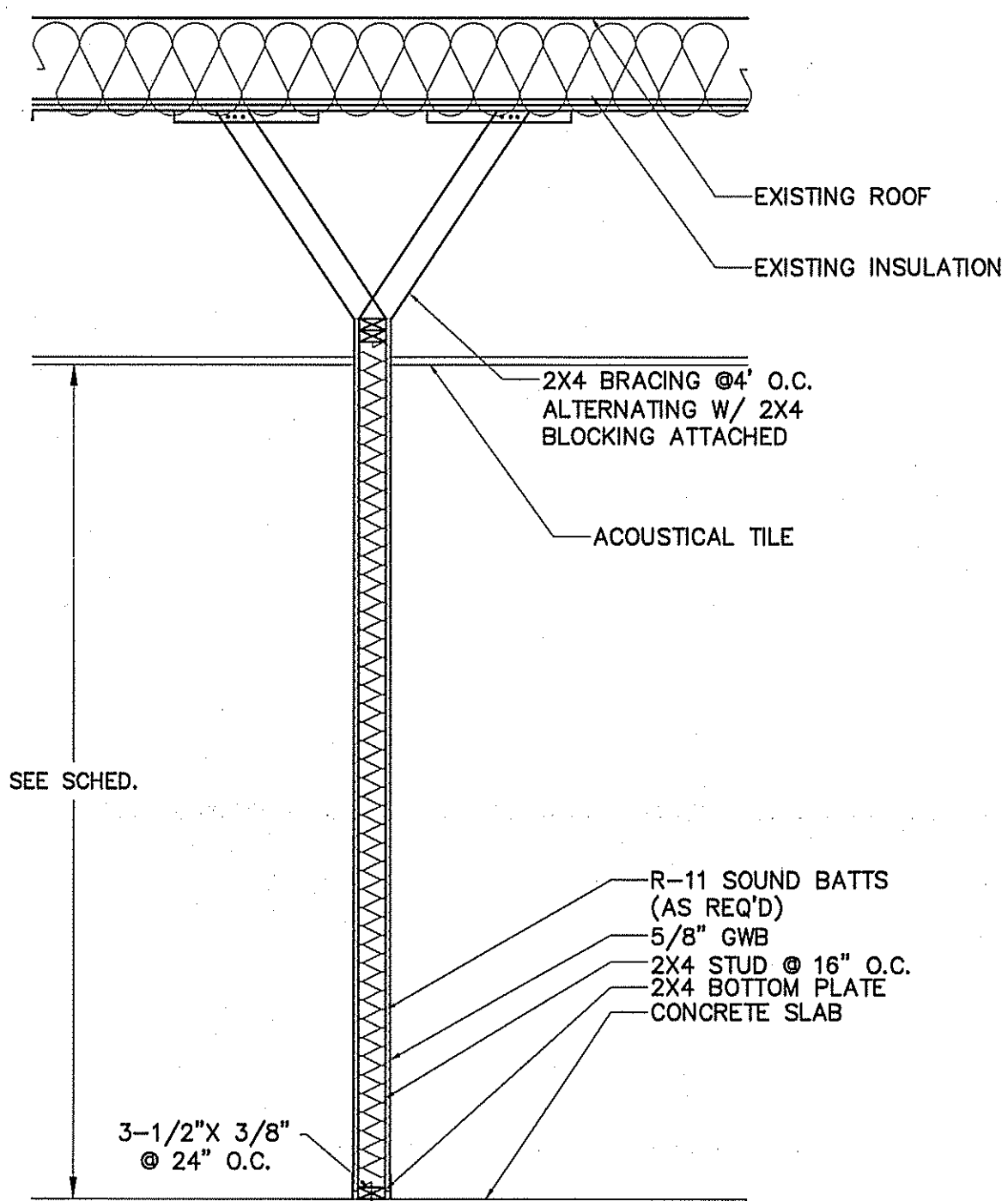


Cruse and Associates, P.A.
111 E. Franklin St.
Raleigh, North Carolina 27604
TEL: (919) 882-4489
FAX: (919) 882-5126
LICENSE NO.: C-1721

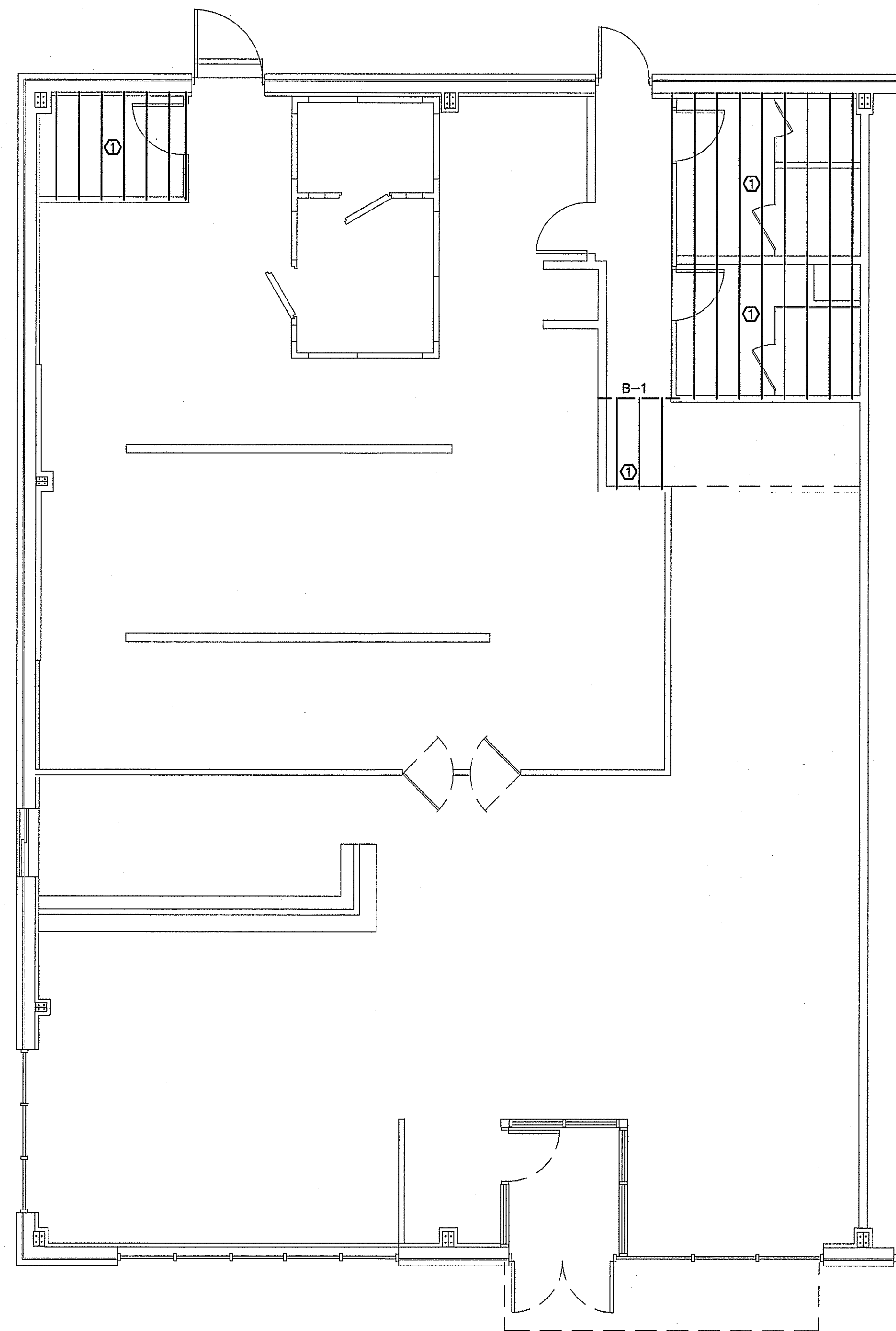
THESE DOCUMENTS ARE INSTRUMENTS OF SERVICE AND AS SUCH THESE DRAWINGS, DESIGNS, AND DESIGN CONCEPTS PRESENTED REMAIN THE PROPERTY OF THE ENGINEER. PUBLISH OR DUPLICATE THE DRAWINGS OR DESIGNS ONLY WITH THE WRITTEN PERMISSION OF THE ENGINEER.
© COPY RIGHT

DATE 07-26-24
DRAWN BY BAM
JOB NO. 24-06

SHEET NO.
F-2 OF 3



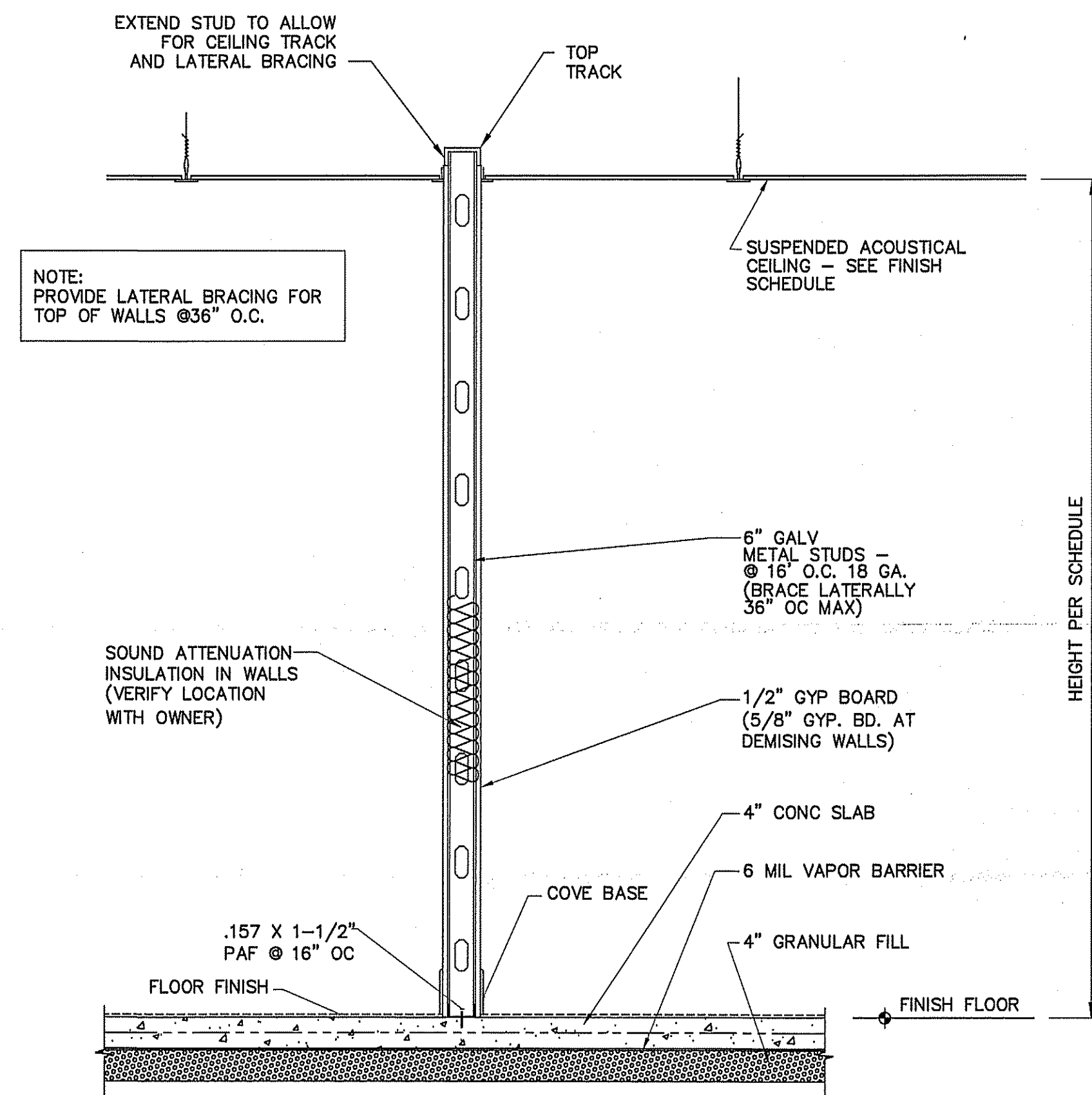
WOOD INTERIOR WALL SECTION
SCALE: NONE



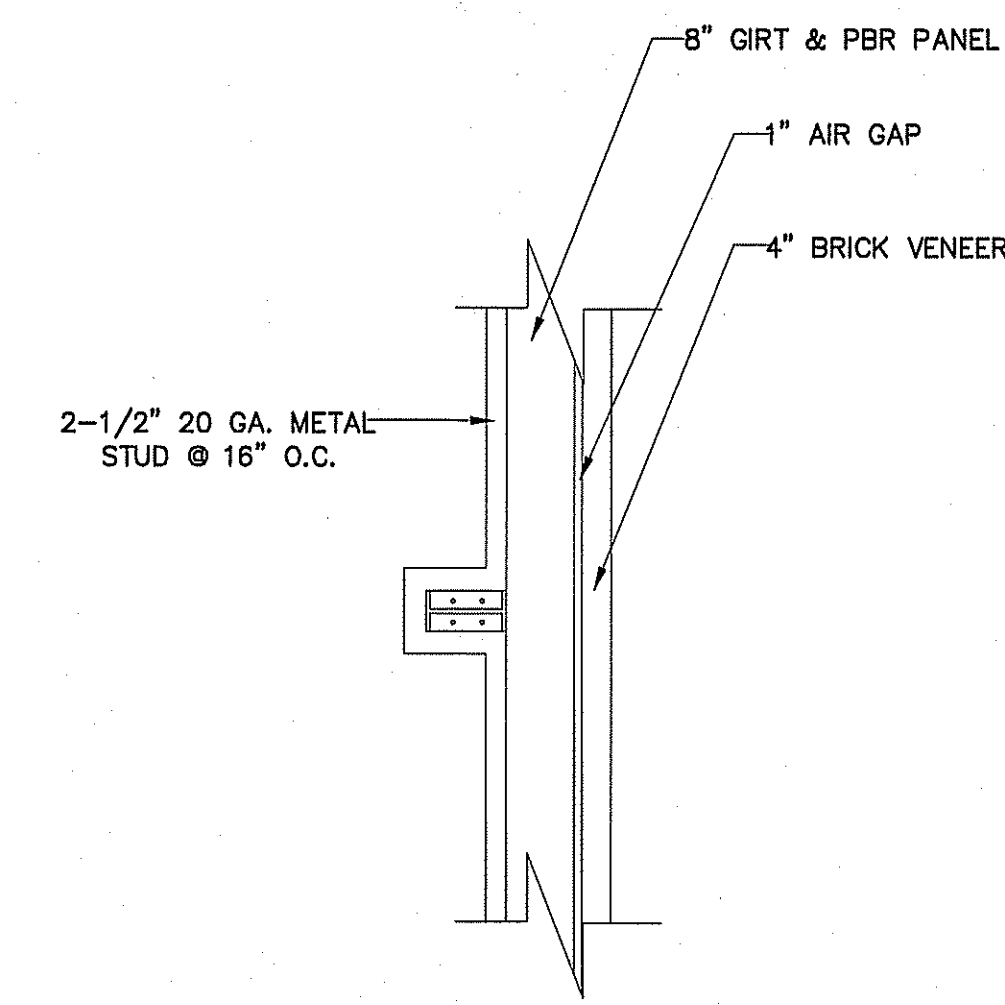
HVAC PLATFORM DETAILS
SCALE: 3/16" = 1'-0"

KEY NOTES:

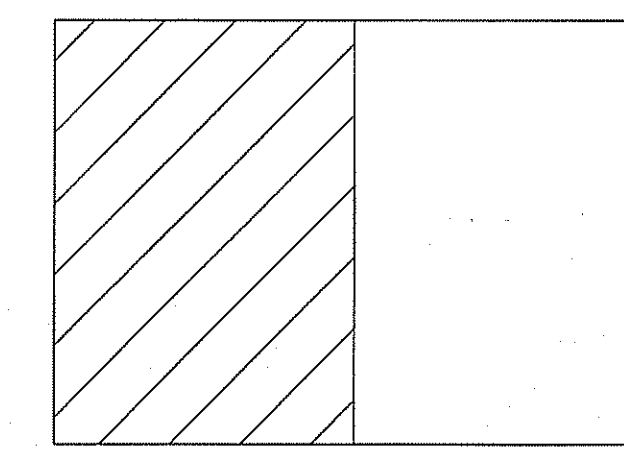
- B-1 (2) 2X8
- ① 2X8 CEILING JOISTS @ 16' O.C. PROVIDE 3/4" PLYWOOD DECK FOR MECHANICAL EQUIPMENT. SEE SHEET F-1 FOR WALL HEIGHTS. INSTALL 2X2 ACOUSTICAL CEILING BELOW PLATFORM.



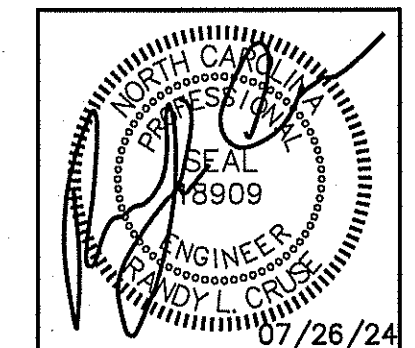
SECTION SIMILAR FOR WALLS PERPENDICULAR TO "Z" PURLINS
TYPICAL METAL STUD INTERIOR WALL SECTION
SCALE: NONE



PROPOSED WALL DETAIL
SCALE: NOT TO SCALE

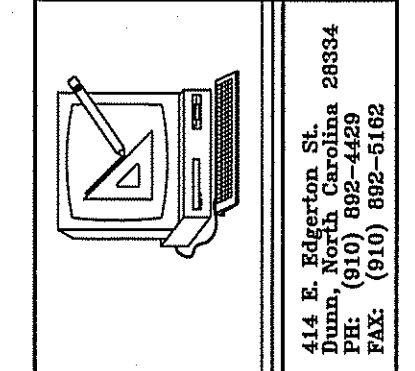


KEY PLAN



PLANS FOR:
T&L COATS UP-FIT
BLUE AGAVE MEXICAN GRILL
COATS, NORTH CAROLINA

REVISIONS	
NO.	



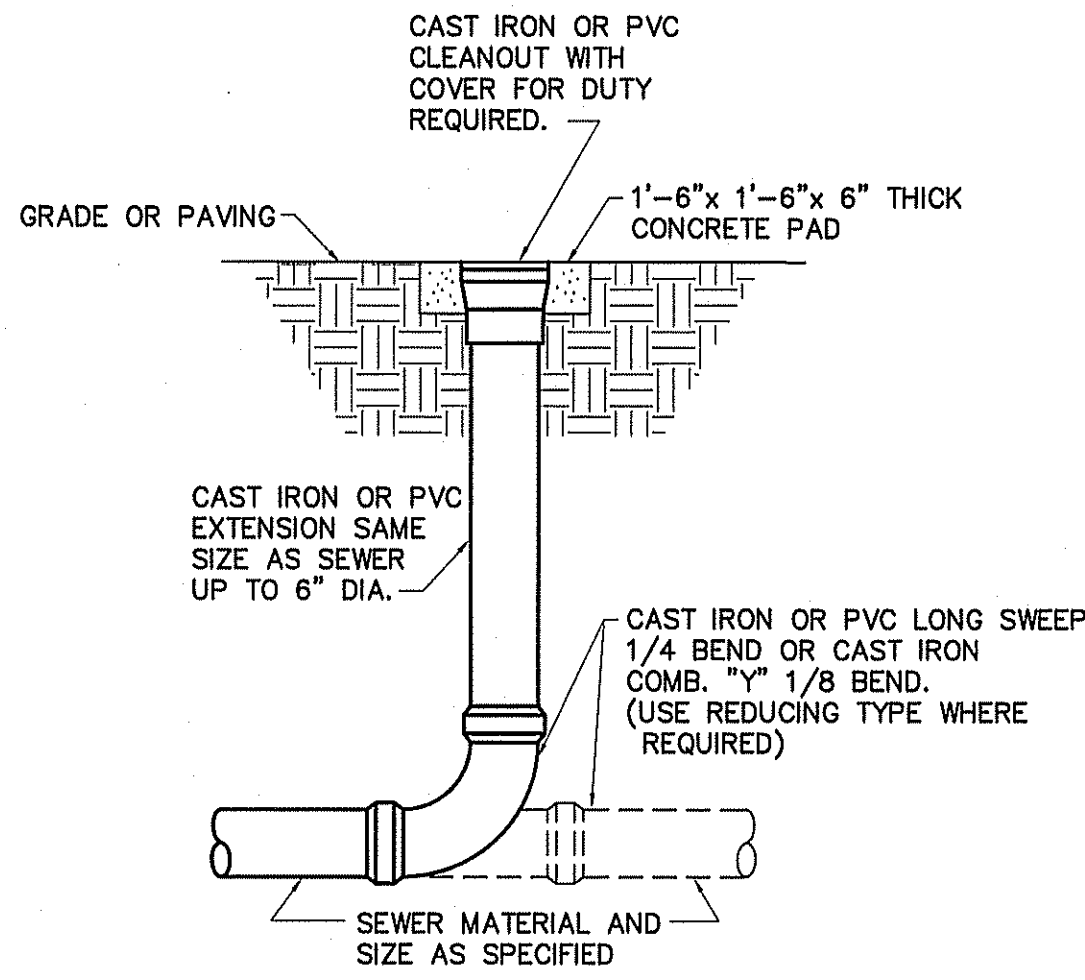
Cruse and Associates, P.A.
414 E. Bluffton St.
Bluffton, SC 29924
TEL: (810) 882-4420
FAX: (810) 882-5182
 LICENSE NO.: C-1721

THESE DOCUMENTS ARE INSTRUMENTS OF SERVICE AND AS SUCH THESE DRAWINGS, DESIGNS, AND DESIGN CONCEPTS PRESENTED REMAIN THE PROPERTY OF THE ENGINEER. PUBLISH OR DUPLICATE THE DRAWINGS OR DESIGNS ONLY WITH THE WRITTEN PERMISSION OF THE ENGINEER.
© COPY RIGHT

DATE 07-26-24
 DRAWN BY BAM
 JOB NO. 24-06

SHEET NO.
F-3 OF 3

PLUMBING LEGEND	
DESCRIPTION	SYMBOL
COLD WATER	CW
HOT WATER	HW
COLD WATER (FILTERED)	
RECIRCULATED WATER	HWR
VENT PIPING	V
WASTE PIPING	NEW EXISTING W
CLEAN OUT IN GRADE	C.O.I.G.
FLOOR CLEAN OUT	F.C.O.
NON FREEZE HOSE BIBB	NFHB
FLOOR DRAIN	F.D.
CHECK VALVE	
BALL VALVE	
GATE VALVE	
SHUT-OFF VALVE	
DOUBLE CHECK VALVE	
FIXTURE DESIGNATION	P--
MOUNTING HEIGHT	MH
POINT OF CONNECTION NEW TO EXISTING	
FLOOR SINK	
SHOCK ABSORBER W/BALL VALVE SHUT-OFF	SA SIZE PER MANUF. RECOMMENDATIONS
CHANGE IN PIPE SIZE	

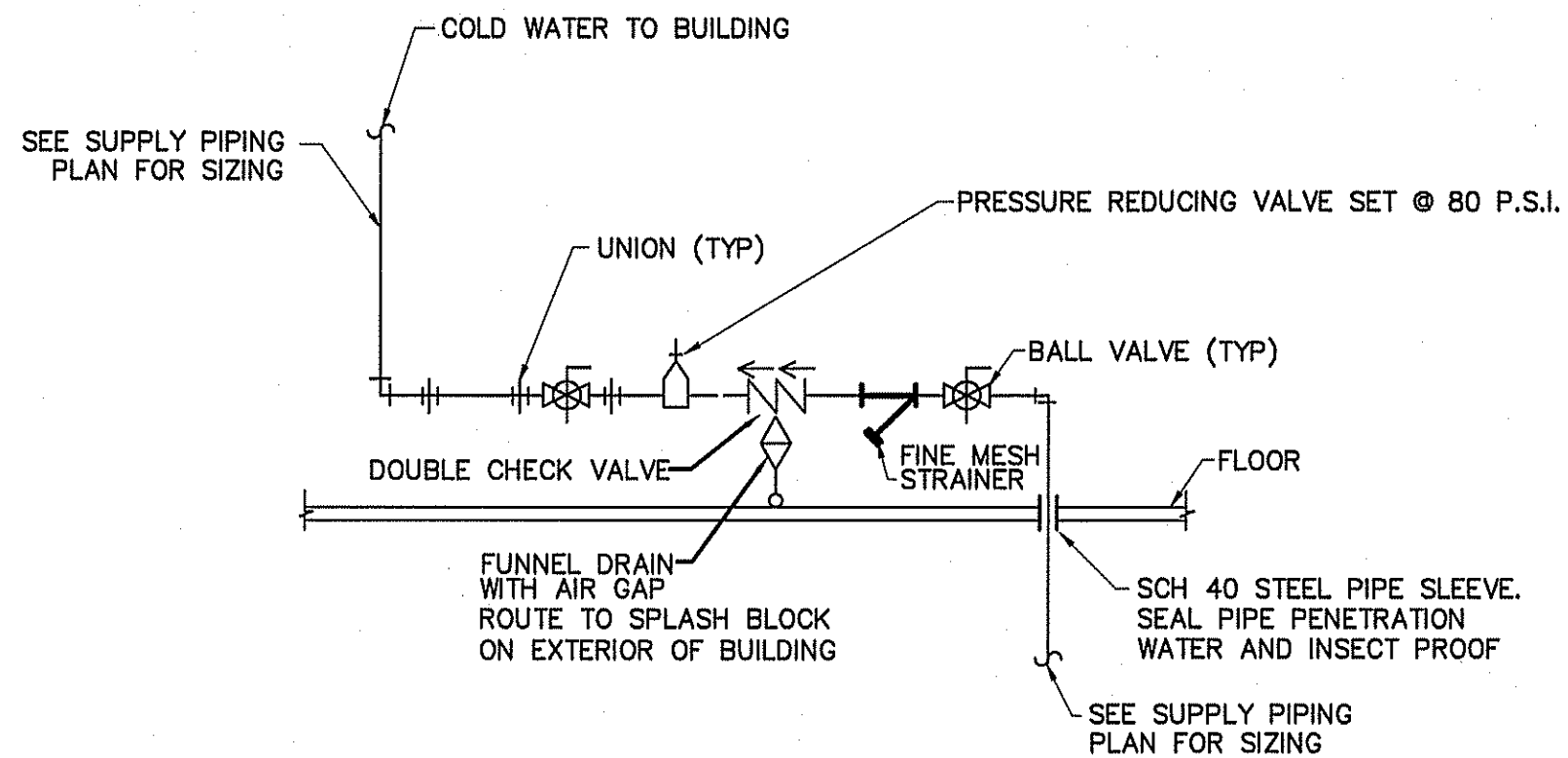


DETAIL-CLEAN OUT AT GRADE
NOT TO SCALE

KEY NOTES:

- ① 1/2" HOT & COLD DOWN IN WALL TO HALF WALL BELOW.
- ② RUN 1/2" HOT & COLD THROUGH HALF WALL TO SINK
- ③ RUN 1/2" COLD THROUGH HALF WALL TO ICE CHEST.
- ④ RECIRCULATION PUMP AND PIPING (SURFACE MOUNTED)
- ⑤ ELECTRICAL PANEL CLEARANCE AREA. NO PLUMBING SUPPLY PIPING IN THIS AREA.

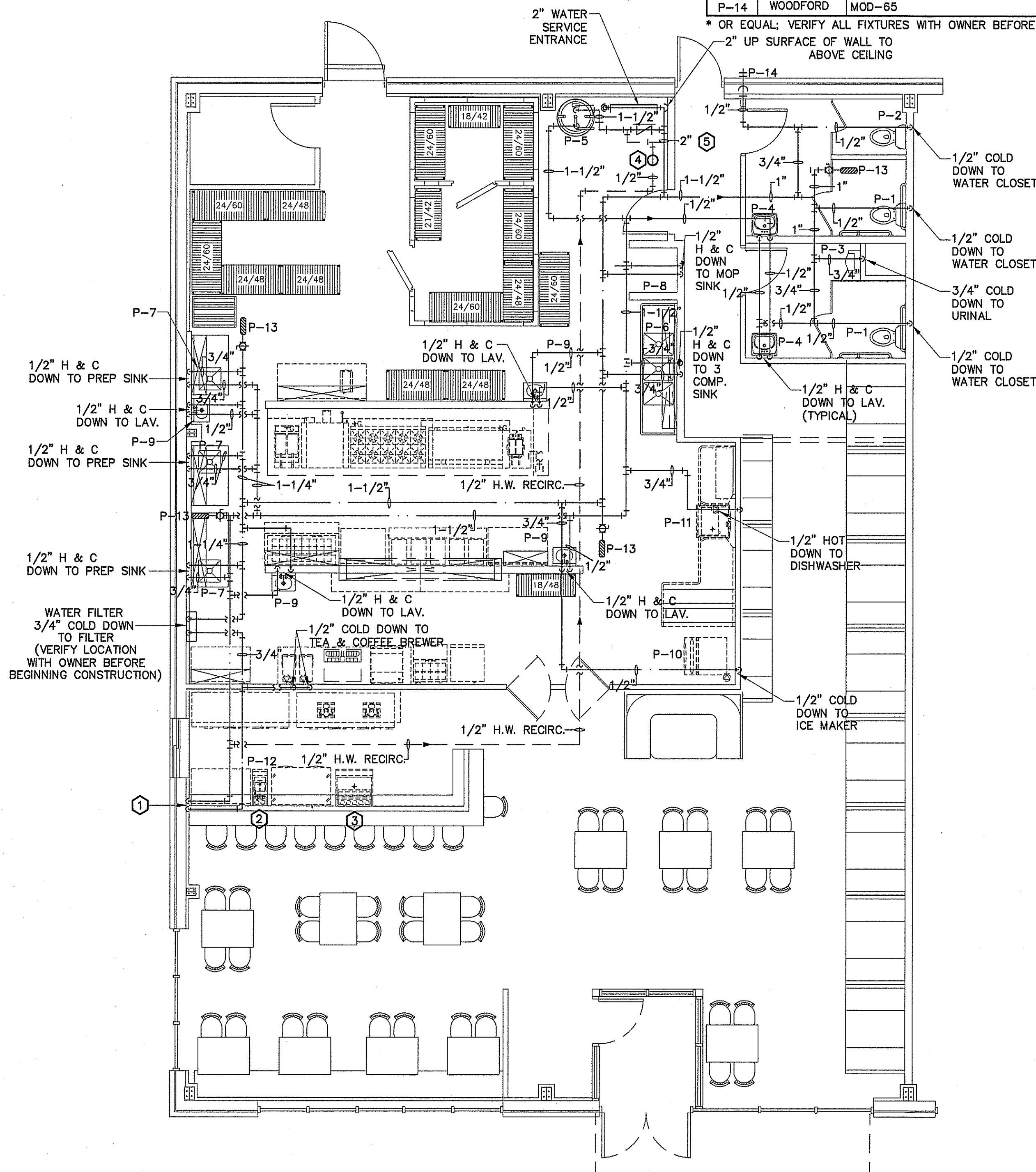
NOTES:
1. INSTALL THERMOSTATICALLY CONTROLLED MIXING VALVES AS NEEDED TO ENSURE HOT WATER TEMPERATURE TO ALL HAND WASHING LOCATIONS DOES NOT EXCEED 110°F.
2. RUN SUPPLY PIPING TO ALLOW FOR SERVICE ACCESS TO AHU'S. SEE HVAC PLAN. COORDINATE WITH HVAC CONTRACTOR.



DETAIL-WATER SERVICE ENTRANCE AS REQUIRED
NOT TO SCALE

PLUMBING FIXTURE SCHEDULE					
MARK	MAKE	MODEL	DESCRIPTION	NOTES	
P-1	AMERICAN STANDARD	CADET 2467.016	EL 1.6/PA 16.5" HC ELONGATED WATER CLOSET HC ACCESSIBLE, TANK TYPE	WHITE 5321.110 SEAT	
P-2	AMERICAN STANDARD	CADET 2462.100	CADET FLOWISE ELONGATED PRESSURE ASSIST. TOILET 1.1 GPF	WHITE 5321.110 SEAT	
P-3	AMERICAN STANDARD	WASHBROOK 1.0 URINAL 6590.001	WALL HUNG URINAL RIM 17" A.F.F., ADA COMPLIANT ACCESSIBLE	3/4" VALVE; 6045.101 MANUAL FLUSH	
P-4	AMERICAN STANDARD	REGALYN 4869.004.020	CAST IRON WALL MOUNTED SINK	1340.227 FAUCET. PROVIDE W/BASKET DRAIN	
P-5	A.O. SMITH	BTR-199	199,000 BTU/HOUR	INCLUDE CONCENTRIC VENTING, MINIMUM RECOVERY RATE OF 175 GALLONS @ 100° TEMP. RISE	
P-6	ATOSA	MRSC-3-D	(3) 18"W X 24", 14" DEEP WITH (2) 24" DRAINBOARDS & 10" HIGH BACKSPASH		
P-7		TA-11N	SINK WELDED INTO TABLE TOP, 18"W X 18" D X 14" DEEP BOWL, INCLUDES FAUCET, NSF	SPECIFY BOWL LOCATION	
P-8			36"X36"X10" MOP SERVICE BASIN	PROVIDE W/ SERVICE FAUCET; HOSE AND HOSE HOLDER; MOP HANGER; AND DURAGUARD WALL GUARDS	
P-9	UNITED REST. EQUIP. CO.	HANDSINK-SPLASHES	T & S MODEL NO. B-1146		
P-10	MANOTOWOC	IDT1200C	ICE MAKER CUBE STYLE		
P-11	DISHWASHER SELECTED & PROVIDED BY OWNER				
P-12	GLASTENDER	FS12	UNDERBAR HAND & WET WASTE SINK		
P-13	WATTS	MODEL SIZE 1	WATER HAMMER ARRESTOR FOR MULTIPLE FIXTURES BRANCH LINE. SIZE ARRESTOR FOR NUMBER OF FIXTURES SERVED		
P-14	WOODFORD	MOD-65	HOSE BIB FREEZE PROOF	ANTI-SIPHONING WITH VACCUUM BREAKER, SELF DRAINING	

* OR EQUAL; VERIFY ALL FIXTURES WITH OWNER BEFORE PURCHASING OR INSTALLING;
-2" UP SURFACE OF WALL TO ABOVE CEILING

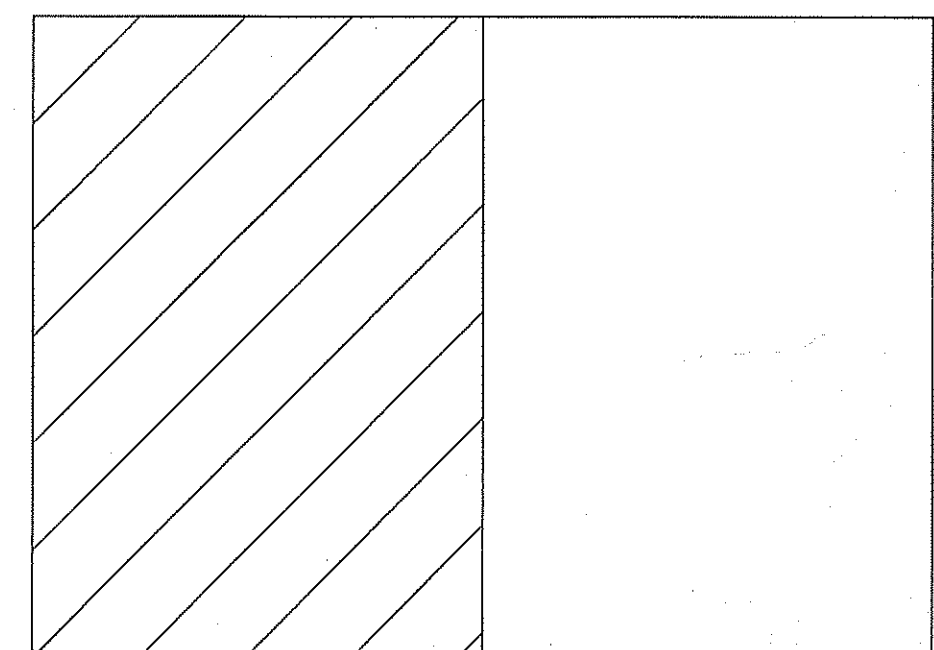


PLUMBING SUPPLY PIPING PLAN
SCALE: 3/16" = 1'-0"

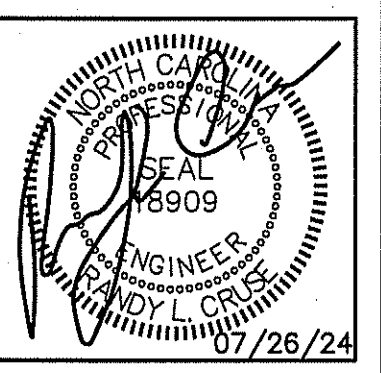
PLUMBING CALCULATIONS								
ITEM	# OF	FIXTURE UNITS (EACH)			FIXTURE UNITS (TOTAL)			FIXTURE UNITS (WASTE)
		COLD	HOT	TOTAL	COLD	HOT	TOTAL	
FLUSH TANK-H.C. WATER CLOSET	3	5.0	-	5.0	15	-	15	4/12
URINAL-3/4"V	1	5.0	-	5.0	5	-	5	4/4
LAVATORY	6	1.5	1.5	2	9.0	9.0	12.0	1/6
JANITOR'S SINK	1	2.25	2.25	3	2.25	2.25	3.0	1/1
PREP SINK	3	3	3	4.0	9	9	12.0	3/9
3 COMPARTMENT SINK	1	3	3	4.0	3	3	4.0	3/3
ICE MACHINE	1	.25	-	.25	.25	-	.25	.5
N.F.H.B.	1	3.0	-	3.0	3.0	-	3.0	.5/5
DISHWASHER	1	-	1.4	1.4	-	1.4	1.4	2/2
TOTAL		23.0	11.15	27.65	52.50	30.65	55.65	39.0

GPM = 31.7 @ 60 PSI
WATER SUPPLY PIPE SIZE: 2" MINIMUM

PLUMBING CONNECTION SCHEDULE				
FIXTURE	C.W.	H.W.	WASTE	VENT
FLUSH TANK WATER CLOSET	1/2"	-	3"	2"
LAVATORY	1/2"	1/2"	2"	1 1/2"
ELEC. WATER COOLER	1/2"	-	2"	1 1/2"
SERVICE SINK	1/2"	1/2"	2"	1 1/2"
FLUSH VALVE URINAL	3/4"	-	3"	2"
HOSE BIBBS	1/2"	1/2"	-	-
FLOOR DRAIN			3"	2"
KITCHEN SINKS	1/2"	1/2"	3"	2"



KEY PLAN



PLANS FOR:
T&L COATS UP-FIT
BLUE AGAVE MEXICAN GRILL
COATS, NORTH CAROLINA

REVISIONS	
NO.	

Cruse And Associates, P.A.
414 E. Main Street
Durham, North Carolina 27604
TEL: (919) 962-4102
FAX: (919) 962-4102
LICENSE NO.: C-1721

THESE DOCUMENTS ARE INSTRUMENTS OF SERVICE AND AS SUCH THESE DRAWINGS, DESIGNS, AND DESIGN CONCEPTS PRESENTED REMAIN THE PROPERTY OF THE ENGINEER. PUBLISH OR DUPLICATE THE DRAWINGS OR DESIGNS ONLY WITH THE WRITTEN PERMISSION OF THE ENGINEER.
© COPY RIGHT

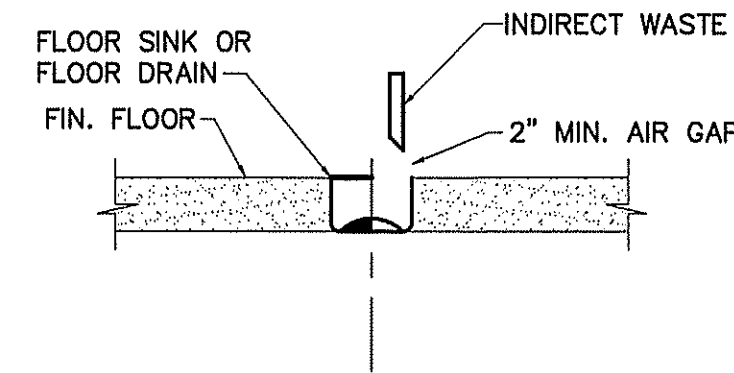
DATE 07-26-24
DRAWN BY BAM
JOB NO. 24-06

SHEET NO.
P-1 OF 3

PLUMBING LEGEND	
DESCRIPTION	SYMBOL
COLD WATER	CW
HOT WATER	HW
COLD WATER (FILTERED)	
RECIRCULATED WATER	HWR
VENT PIPING	V
WASTE PIPING	DOMESTIC --- GREASE --- W
CLEAN OUT IN GRADE	C.O.I.G.
FLOOR CLEAN OUT	F.C.O.
NON FREEZE HOSE BIBB	NFHB
FLOOR DRAIN	F.D.
CHECK VALVE	
BALL VALVE	
GATE VALVE	
SHUT-OFF VALVE	
DOUBLE CHECK VALVE	
FIXTURE DESIGNATION	P---
MOUNTING HEIGHT	MH
POINT OF CONNECTION NEW TO EXISTING	
FLOOR SINK	
SHOCK ABSORBER W/BALL VALVE SHUT-OFF	SA SIZE PER MANUF. RECOMMENDATIONS
CHANGE IN PIPE SIZE	

GENERAL PLUMBING NOTES

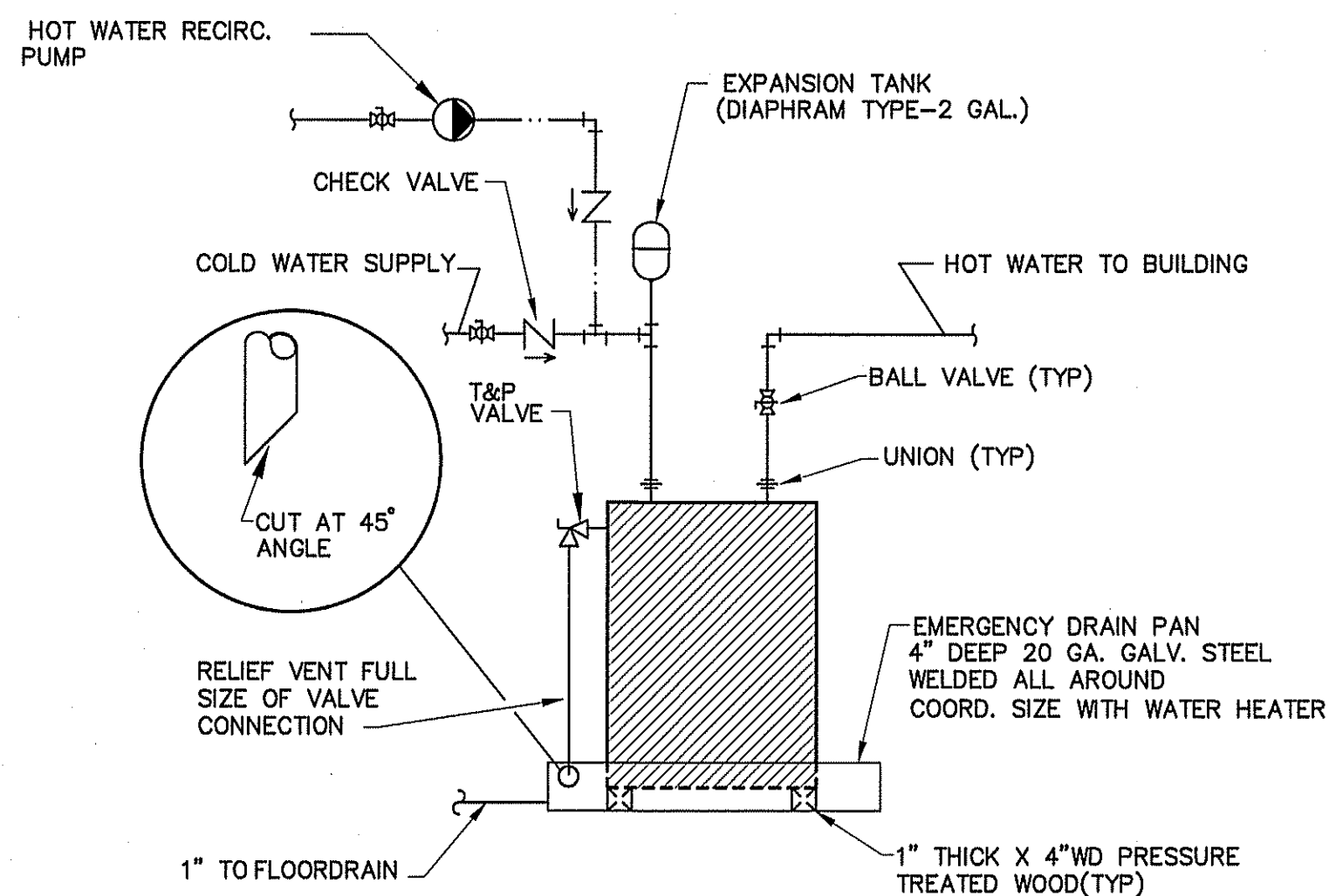
- ALL WORK SHALL BE IN COMPLIANCE WITH APPLICABLE LOCAL, STATE, AND NATIONAL CODES.
- CONTRACTORS SHALL COORDINATE PIPING WITH ALL OTHER TRADES.
- CONTRACTOR SHALL REFER TO ARCHITECTURAL/STRUCTURAL DRAWINGS FOR DIMENSIONS.
- CONTRACTOR SHALL FURNISH AND INSTALL DIELECTRIC UNIONS AT ALL CONNECTIONS BETWEEN DISSIMILAR METALS.
- CONTRACTOR SHALL FURNISH AND INSTALL ESCUTCHEONS AND COVER PLATES AT ALL FINISHED WALLS, CEILINGS AND FLOOR OPENINGS.
- PIPING SHALL BE DISINFECTED IN ACCORDANCE WITH STATE AND LOCAL CODE. (REFER TO SPECIFICATIONS.)
- ALL PIPING SHALL BE TESTED FOR LEAKS. IF ANY LEAKS ARE DETECTED THE PIPING SHALL BE REPAIRED, RESOLDERED OR REPLACED AND RETESTED.
- ALL SOLDER SHALL BE OF THE LEAD FREE TYPE.
- WATER HEATER SHALL BE SUPPLIED WITH FACTORY INSTALLED T&P VALVES AND SHALL HAVE UNIONS AND ISOLATION VALVES.
- DOMESTIC WATER SUPPLY PIPING SHALL BE COPPER OR CPVC. PEX IS ALLOWED WHERE PERMITTED BY CODE.
- WASTE AND VENT PIPING SHALL BE SCH. 40 PVC OR HEAVY DUTY CAST IRON UNDER TRAFFIC AREAS.
- INSTALL THERMOSTATICALLY CONTROLLED MIXING VALVES AS NEEDED TO ENSURE HOT WATER TEMPERATURE TO ALL HAND WASHING LOCATIONS DOES NOT EXCEED 110°F.
- ALL FLOOR DRAINS & HUB DRAINS SHALL BE PROVIDED WITH TRAP PRIMER EXCEPT FLOOR DRAINS IN TOILETS WHERE HOSE BIBBS ARE PROVIDED.
- HOT WATER PIPING SHALL BE INSULATED WITH 1" THICK FIBROUS GLASS INSULATION. COLD WATER PIPING SHALL BE INSULATED WITH 1/2" FIBROUS GLASS INSULATION. VAPOR BARRIER SHALL BE APPLIED TO EACH.



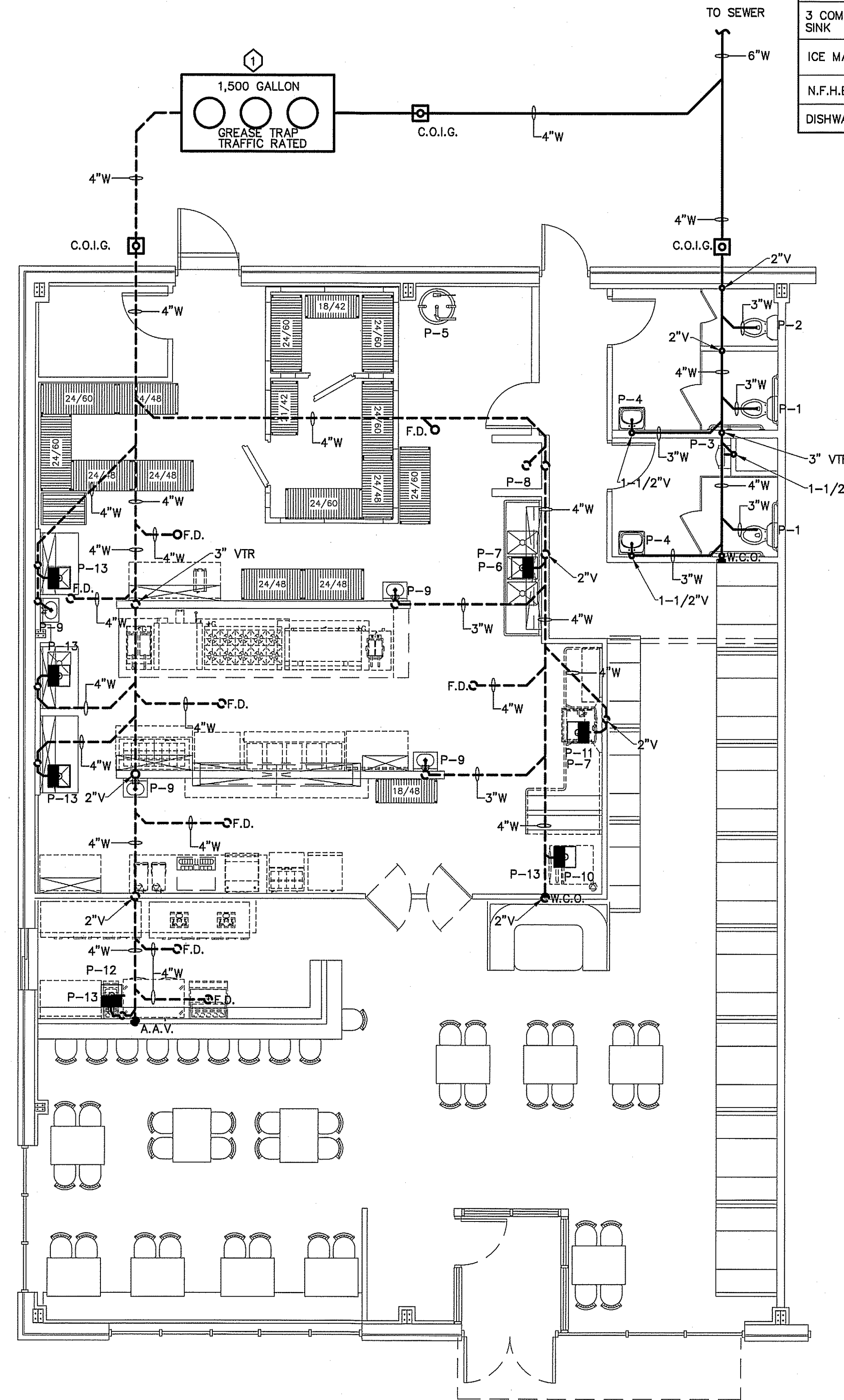
INDIRECT/FLOOR SINK DETAIL
NOT TO SCALE

PLUMBING CALCULATIONS								
ITEM	# OF	FIXTURE UNITS (EACH)			FIXTURE UNITS (TOTAL)			FIXTURE UNITS (WASTE)
		COLD	HOT	TOTAL	COLD	HOT	TOTAL	
FLUSH TANK-H.C. WATER CLOSET	3	5.0	-	5.0	15	-	15	4/12
URINAL-3/4"V	1	5.0	-	5.0	5	-	5	4/4
LAVATORY	6	1.5	1.5	2	9.0	9.0	12.0	1/6
JANITOR'S SINK	1	2.25	2.25	3	2.25	2.25	3.0	1/1
PREP SINK	3	3	3	4.0	9	9	12.0	3/9
3 COMPARTMENT SINK	1	3	3	4.0	3	3	4.0	3/3
ICE MACHINE	1	.25	-	.25	.25	-	.25	.5
N.F.H.B.	2	3.0	-	3.0	6	-	6.0	.5/1.0
DISHWASHER	1	-	1.4	1.4	-	1.4	1.4	2/2
TOTAL	23.0	11.15	27.65	55.50	30.65	58.65	39.5	

CPM = 31.7 @ 60 PSI
WATER SUPPLY PIPE SIZE: 2" MINIMUM



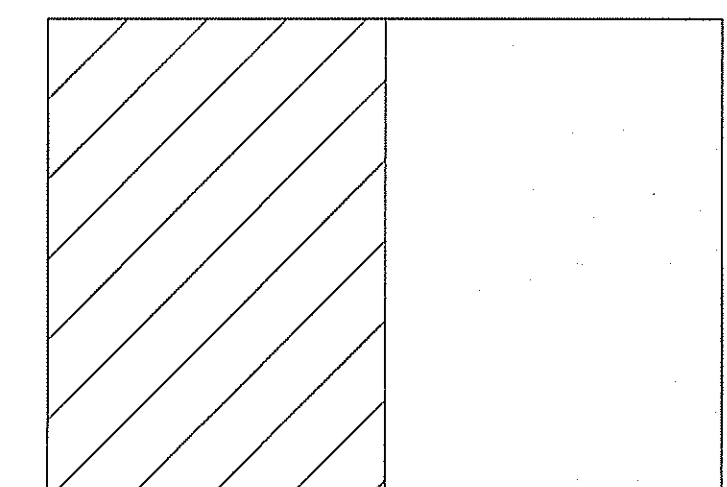
DETAIL-WATER HEATER
NOT TO SCALE



PLUMBING WASTE & VENT PIPING PLAN
SCALE: 3/16" = 1'-0"

- NOTES:**
- G.C. AND P.C. TO VERIFY FALL, PIPE DEPTH & SEWER CONNECTION DEPTH BEFORE BEGINNING CONSTRUCTION.
 - COORDINATE WASTE PIPING ROUTE TO AVOID LARGE FOOTING LOCATIONS WHERE POSSIBLE.

KEYNOTE:
1 VERIFY LOCATION WITH OWNER BEFORE BEGINNING CONSTRUCTION

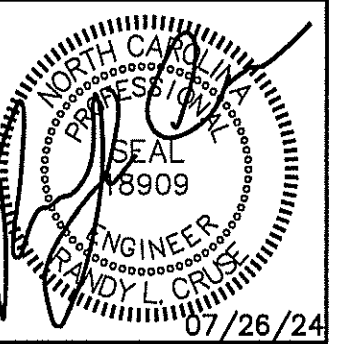


KEY PLAN

PLUMBING CONNECTION SCHEDULE				
FIXTURE	C.W.	H.W.	WASTE	VENT
FLUSH TANK WATER CLOSET	1/2"	-	3"	2"
LAVATORY	1/2"	1/2"	2"	1 1/2"
ELEC. WATER COOLER	1/2"	-	2"	1 1/2"
SERVICE SINK	1/2"	1/2"	2"	1 1/2"
FLUSH VALVE URINAL	3/4"	-	3"	2"
HOSE BIBBS	1/2"	1/2"	-	-
FLOOR DRAIN			3"	2"
KITCHEN SINKS	1/2"	1/2"	3"	2"
DISHWASHER	-	1/2"	2"	1 1/2"

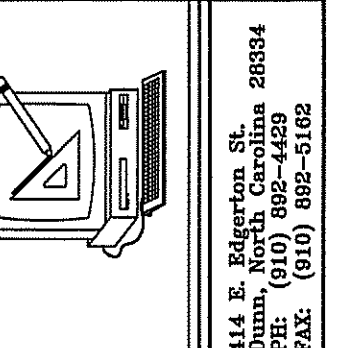
PLUMBING FIXTURE SCHEDULE				
MARK	MAKE	MODEL	DESCRIPTION	NOTES
P-1	AMERICAN STANDARD	CADET 2467.016	EL 1.6 /PA 16.5"HC ELONGATED WATER CLOSET HC ACCESSIBLE, TANK TYPE	WHITE 5321.110 SEAT
P-2	AMERICAN STANDARD	CADET 2462.100	CADET FLOWISE ELONGATED PRESSURE ASSIST. TOILET 1.1 GPF	WHITE 5321.110 SEAT
P-3	AMERICAN STANDARD	WASHBROOK 1.0 URINAL 6590.001	WALL HUNG URINAL RIM 17" A.F.F., ADA COMPLIANT ACCESSIBLE	3/4" VALVE; 6045.101 MANUAL FLUSH
P-4	AMERICAN STANDARD	REGALYN 4869.004.020	CAST IRON WALL MOUNTED SINK	1340.227 FAUCET. PROVIDE W/BASKET DRAIN
P-5	A.O. SMITH	BTR-199	199,000 BTU/HOUR	INCLUDE CONCENTRIC VENTING, MINIMUM RECOVERY RATE OF 175 GALLONS @ 100° TEMP. RISE
P-6	ATOSA	MRSC-3-D	(3) 18"W X 24";14" DEEP WITH (2) 24" DRAINBOARDS & 10" HIGH BACKSPLASH	
P-7		TA-11N	SINK WELDED INTO TABLE TOP, 18"W X 18" D X 14" DEEP BOWL, INCLUDES FAUCET, NSF	SPECIFY BOWL LOCATION
P-8			36"X36"X10" MOP SERVICE BASIN	PROVIDE W/ SERVICE FAUCET;HOSE AND HOSE HOLDER; MOP HANGER; AND DURAGUARD WALL GUARDS
P-9	UNITED REST. EQUIP. CO.	HANDSINK-SPLASHES	T & S MODEL NO. B-1146	
P-10	MANOTWOC	IDT1200C	ICE MAKER CUBE STYLE	
P-11	DISHWASHER SELECTED & PROVIDED BY OWNER			
P-12	GLASTENDER	FS12	UNDERBAR HAND & WET WASTE SINK	
P-13	WATTS	MODEL SIZE 1	WATER HAMMER ARRESTOR FOR MULTIPLE FIXTURES BRANCH LINE. SIZE ARRESTOR FOR NUMBER OF FIXTURES SERVED	
P-14	WOODFORD	MOD-65	HOSE BIB FREEZE PROOF	ANTI-SIPHONING WITH VACCUUM BREAKER, SELF DRAINING

* OR EQUAL; VERIFY ALL FIXTURES WITH OWNER BEFORE PURCHASING OR INSTALLING;



PLANS FOR:
T&L COATS UP-FIT
BLUE AGAVE MEXICAN GRILL
COATS, NORTH CAROLINA

REVISIONS	
NO.	



Cruse
And
Associates, P.A.
LICENSE NO. C-1721

THESE DOCUMENTS ARE INSTRUMENTS OF SERVICE AND AS SUCH THESE DRAWINGS, DESIGNS, AND DESIGN CONCEPTS PRESENTED REMAIN THE PROPERTY OF THE ENGINEER. PUBLISH OR DUPLICATE THE DRAWINGS OR DESIGNS ONLY WITH THE WRITTEN PERMISSION OF THE ENGINEER.
© COPY RIGHT

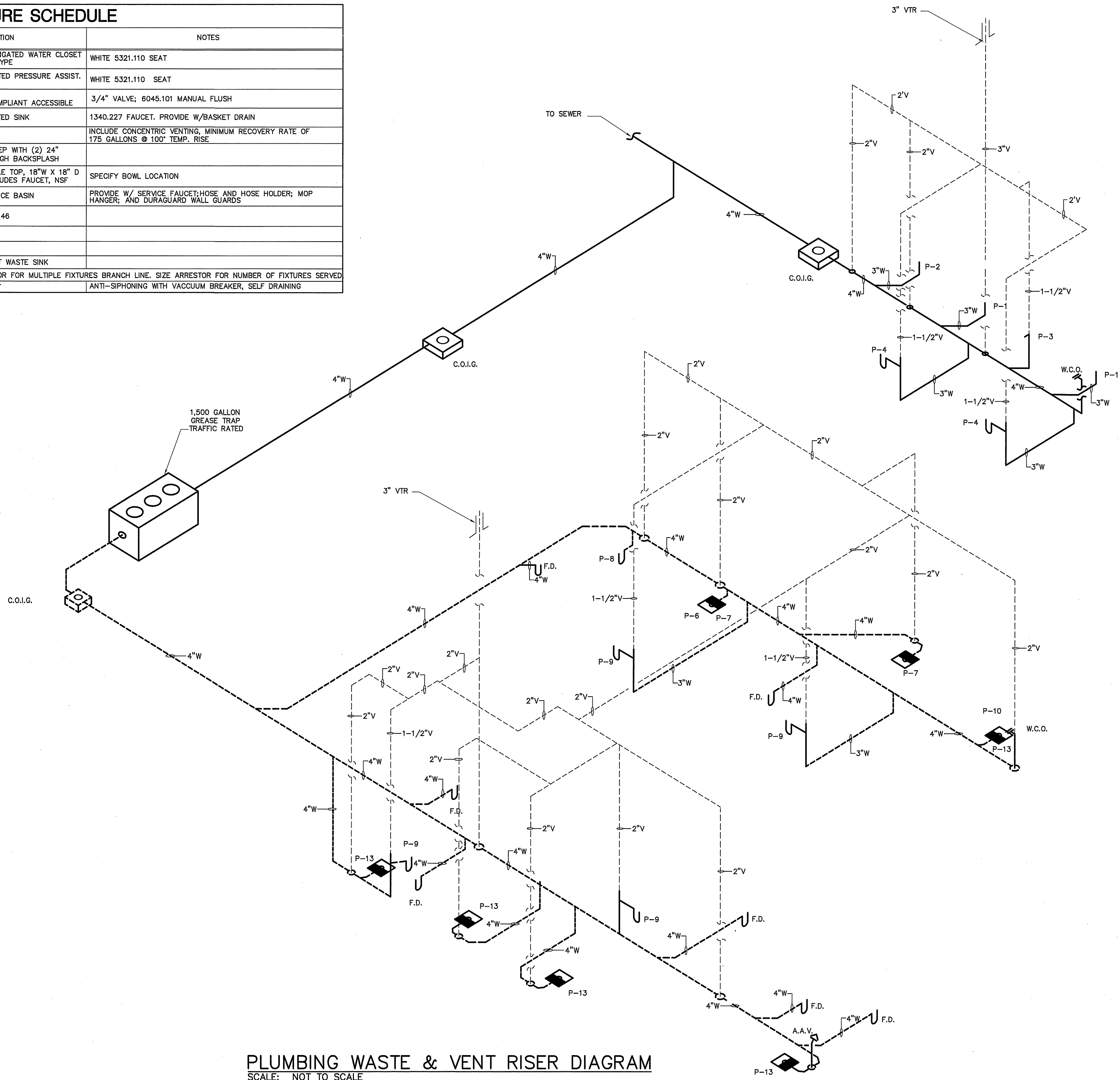
DATE 07-26-24
DRAWN BY BAM
JOB NO. 24-06

SHEET NO.
P-2 OF 3

PLUMBING FIXTURE SCHEDULE

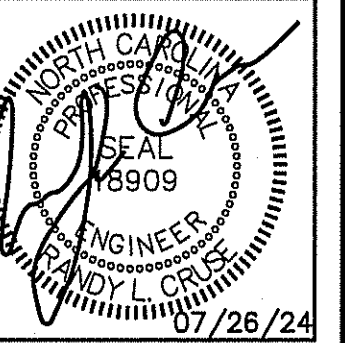
MARK	MAKE	MODEL	DESCRIPTION	NOTES
P-1	AMERICAN STANDARD	CADET 2467.016	EL. 1.6/PA 16.5"HC ELONGATED WATER CLOSET HC ACCESSIBLE, TANK TYPE	WHITE 5321.110 SEAT
P-2	AMERICAN STANDARD	CADET 2462.100	CADET FLOWISE ELONGATED PRESSURE ASSIST. TOILET 1.1 GPF	WHITE 5321.110 SEAT
P-3	AMERICAN STANDARD	WASHBROOK 1.0 URINAL 6590.001	WALL HUNG URINAL RIM 17" A.F.F., ADA COMPLIANT ACCESSIBLE	3/4" VALVE; 6045.101 MANUAL FLUSH
P-4	AMERICAN STANDARD	REGALYN 4869.004.020	CAST IRON WALL MOUNTED SINK	1340.227 FAUCET. PROVIDE W/BASKET DRAIN
P-5	A.O. SMITH	BTR-199	199,000 BTU/HOUR	INCLUDE CONCENTRIC VENTING, MINIMUM RECOVERY RATE OF 175 GALLONS @ 100' TEMP. RISE
P-6	ATOSA	MRSC-3-D	(3) 18"W X 24", 14" DEEP WITH (2) 24" DRAINBOARDS & 10" HIGH BACKSPLASH	
P-7		TA-11N	SINK, WELDED INTO TABLE TOP, 18"W X 18" D X 14" DEEP BOWL, INCLUDES FAUCET, NSF	SPECIFY BOWL LOCATION
P-8			36"X36"X10" MOP SERVICE BASIN	PROVIDE W/ SERVICE FAUCET; HOSE AND HOSE HOLDER; MOP HANGER; AND DURAGUARD WALL GUARDS
P-9	UNITED REST. EQUIP. CO.	HANDSINK-SPLASHES	T & S MODEL NO. B-1146	
P-10	MANOTOWOC	IDT1200C	ICE MAKER CUBE STYLE	
P-11	DISHWASHER SELECTED & PROVIDED BY OWNER			
P-12	GLASTENDER	FS12	UNDERBAR HAND & WET WASTE SINK	
P-13	WATTS	MODEL SIZE 1	WATER HAMMER ARRESTOR FOR MULTIPLE FIXTURES BRANCH LINE. SIZE ARRESTOR FOR NUMBER OF FIXTURES SERVED	
P-14	WOODFORD	MOD-65	HOSE BIB FREEZE PROOF	ANTI-SIPHONING WITH VACUUM BREAKER, SELF DRAINING

* OR EQUAL; VERIFY ALL FIXTURES WITH OWNER BEFORE PURCHASING OR INSTALLING;



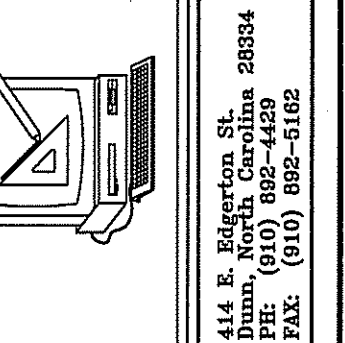
PLUMBING LEGEND	
DESCRIPTION	SYMBOL
COLD WATER	— CW
HOT WATER	— HW
COLD WATER (FILTERED)	—
RECIRCULATED WATER	— HWR
VENT PIPING	- - - V
WASTE PIPING	— DOMESTIC — GREASE — W
CLEAN OUT IN GRADE	□ C.O.I.G.
FLOOR CLEAN OUT	○ F.C.O.
NON FREEZE HOSE BIBB	— NFB
FLOOR DRAIN	○ F.D.
CHECK VALVE	—
BALL VALVE	—
GATE VALVE	—
SHUT-OFF VALVE	—
DOUBLE CHECK VALVE	—
FIXTURE DESIGNATION	P-—
MOUNTING HEIGHT	MH
POINT OF CONNECTION NEW TO EXISTING	—
FLOOR SINK	—
SHOCK ABSORBER W/BALL VALVE SHUT-OFF	— SA SIZE PER MANUF. RECOMMENDATIONS
CHANGE IN PIPE SIZE	—

PLUMBING WASTE & VENT RISER DIAGRAM
SCALE: NOT TO SCALE



PLANS FOR:
T&L COATS UP-FIT
BLUE AGAVE MEXICAN GRILL
COATS, NORTH CAROLINA

REVISIONS	
NO.	



Cruse and Associates, P.A.
LICENSE NO. C-1721

THESE DOCUMENTS ARE INSTRUMENTS OF SERVICE AND AS SUCH THESE DRAWINGS, DESIGNS, AND DESIGN CONCEPTS PRESENTED REMAIN THE PROPERTY OF THE ENGINEER. PUBLISH OR DUPLICATE THE DRAWINGS OR DESIGNS ONLY WITH THE WRITTEN PERMISSION OF THE ENGINEER.
© COPY RIGHT

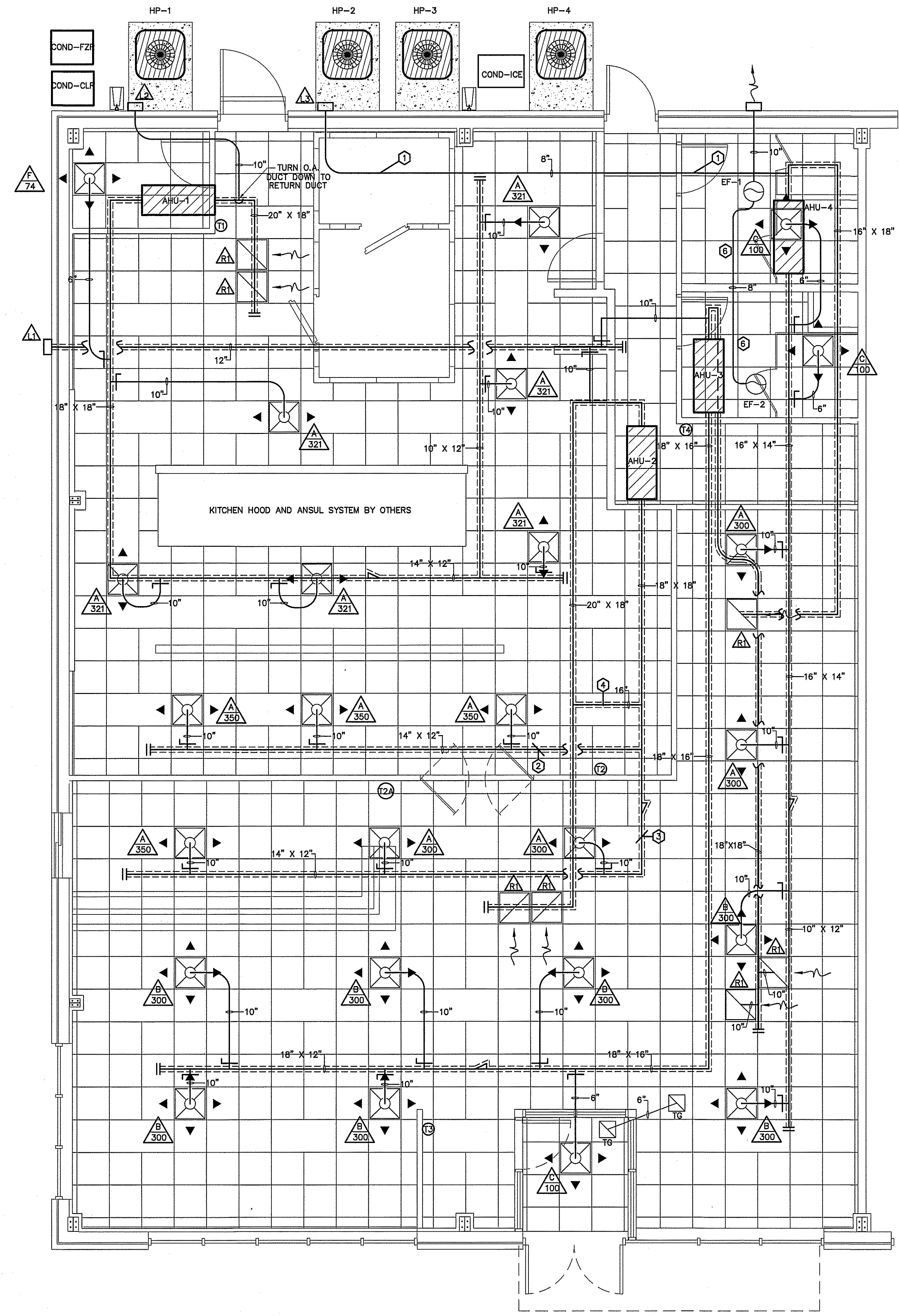
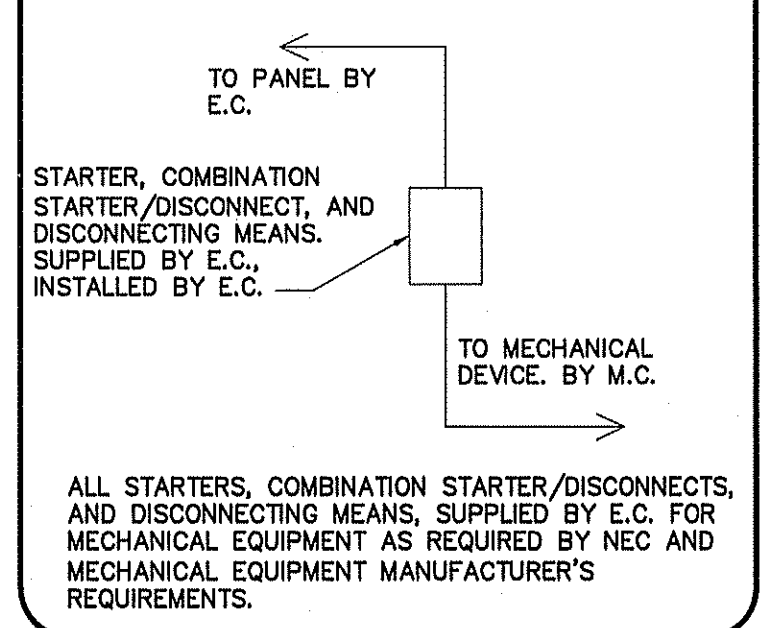
DATE 07-26-24
DRAWN BY BAM
JOB NO. 24-06

SHEET NO.
P-3 OF 3

MECHANICAL SYMBOL LEGEND

SINGLE LINE	DOUBLE LINE	DESCRIPTION
		TAKE OFF TO SUPPLY AIR REGISTER WITH EXT. INSUL. DUCTWORK
		END CAP
		DUCT SMOKE DETECTOR
		ACCESS DOOR
		VOLUME CONTROL DAMPER (TYP)
		CEILING DIFFUSER
		FLEXIBLE DUCTWORK (14' MAX.)
		ONE SIDED REDUCING TRANSITION
		F.D.-(1-1/2) (1-1/2)=RATED FOR 1-1/2 HRS.
		RETURN AIR OR EXHAUST GRILLE
		SUPPLY AIR CEILING DIFFUSER, ARROW INDICATES DIRECTION OF BLOW & ACTIVE DIFFUSER SIDES
		(1) CUSHION HEAD @ BRANCH OR DIFFUSER RUNOUT (2) CUSHION HEAD IS EQUAL TO 1-1/2" WIDTH OF THE BRANCH DUCT OR DIFFUSER RUNOUT
		R.A. OR EXHAUST DUCT TURNS DOWN @ 90 DEGS.
		MANUAL VOLUME CONTROL DAMPER W/ QUADRANT LOCKING DEVICE
		TWO SIDED TRANSITION
		ELECT. DUCT INSERT HEATER WITH CONTROL PANEL
		AHU W/FLEXIBLE CONNECTION AT SUPPLY AND RETURN DUCT
		KEY NOTE
		MARK XXX CFM-DIFFUSER, REGISTER OR GRILLE (SEE SCHEDULE)
		EXHAUST FAN

CONNECTION SCHEDULE



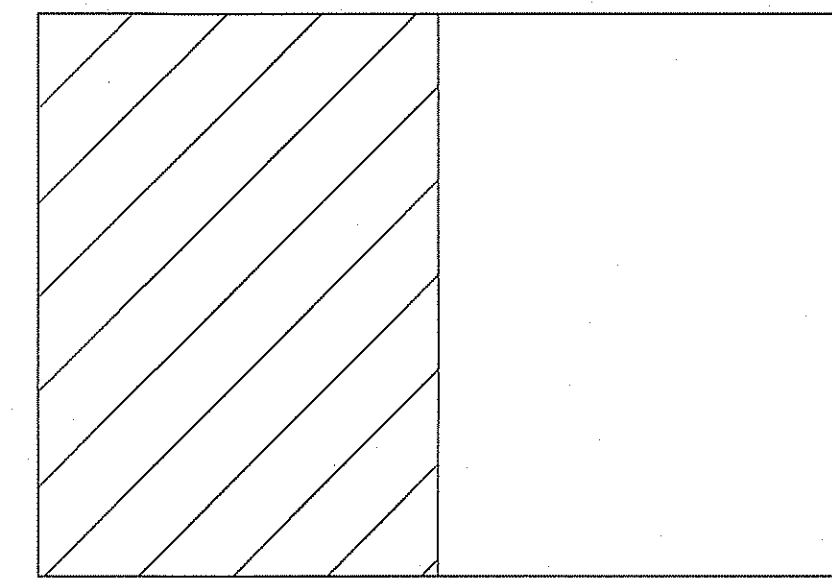
MECHANICAL HVAC PIPING PLAN
SCALE: 1/4" = 1'-0"

KEY NOTES:

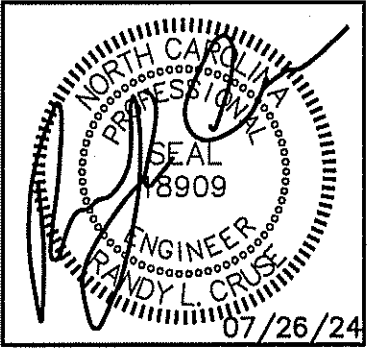
- 1 RUN O.A. DUCT HIGH TO MAINTAIN CLEARANCE FOR ABOVE CEILING AHU ACCESS
- 2 ZONE DAMPER CONTROLLED BY (T2)
- 3 ZONE DAMPER CONTROLLED BY (T2A)
- 4 BY-PASS DAMPER TIED TO (2)&(3)
- 5 RUN RETURN DUCT OVER AHU TO MAINTAIN SERVICE CLEARANCE ON PLATFORM.
- 6 RUN EXHAUST DUCT BETWEEN CEILING AND SERVICE PLATFORM TO MAINTAIN SERVICE CLEARANCE ON PLATFORM.

NOTE:

VERIFY LOCATION OF THERMOSTATS WITH OWNER BEFORE BEGINNING CONSTRUCTION. USE RETURN DUCT SENSOR IF OWNER DESIRES REMOTE THERMOSTAT LOCATIONS.

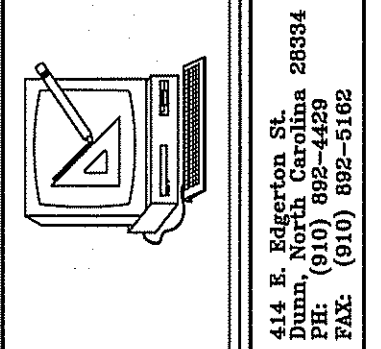


KEY PLAN



PLANS FOR:
T&L COATS UP-FIT
BLUE AGAVE MEXICAN GRILL
COATS, NORTH CAROLINA

NO.	REVISIONS



Cruse And Associates, P.A.
444 E. Johnston St.
Raleigh, NC 27604
TEL: (919) 882-4429
FAX: (919) 882-5162
LICENSE NO.: C-1721

THESE DOCUMENTS ARE INSTRUMENTS OF SERVICE AND AS SUCH THESE DRAWINGS, DESIGNS, AND DESIGN CONCEPTS PRESENTED REMAIN THE PROPERTY OF THE ENGINEER. PUBLISH OR DUPLICATE THE DRAWINGS OR DESIGNS ONLY WITH THE WRITTEN PERMISSION OF THE ENGINEER.
© COPY RIGHT

DATE 07-26-24
DRAWN BY BAM
JOB NO. 24-06

SHEET NO.
M-1 OF 3

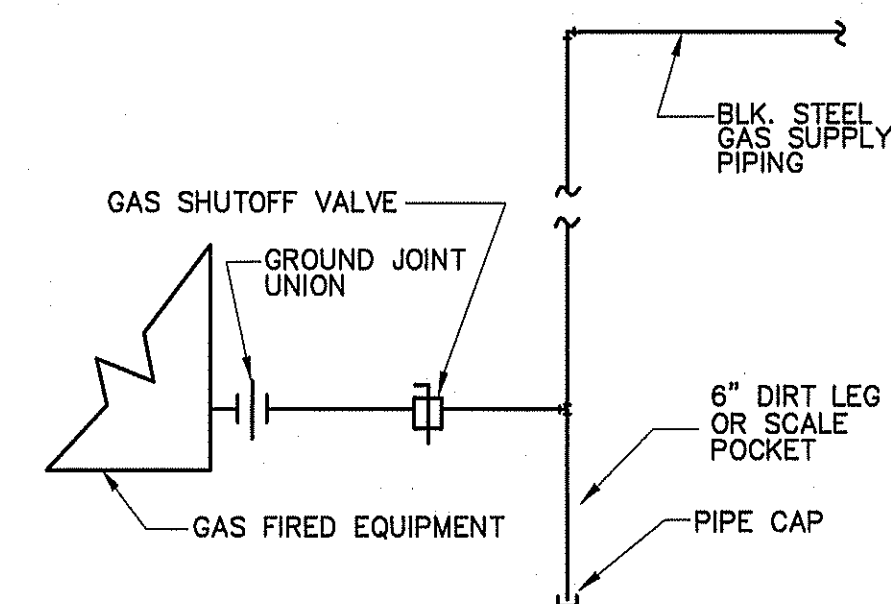
GAS PIPING NOTES

- METALLIC GAS PIPING SHALL BE STEEL PIPE COMPLYING WITH ANSI B36.10, ASTM A 53 OR ASTM A 106. COPPER OR BRASS PIPE IN STEEL PIPE SIZES ASSEMBLED WITH THREADED FITTINGS OF THE SAME MATERIALS MAY BE USED WHEN THE GAS DOES NOT CONTAIN MORE THAN AN AVERAGE OF 0.3 GRAINS OF HYDROGEN SULFIDE PER 100 STANDARD CUBIC FEET OF GAS (A TRACE AS DETERMINED UNDER ASTM D 2385 OR ASTM D 2420). COPPER TUBING OR CSST WILL ALSO BE ALLOWED.
- PIPE JOINTS MAY BE THREADED, FLANGED OR WELDED AND NONFERROUS PIPE MAY ALSO BE BRAZED WITH MATERIALS HAVING A MELTING POINT IN EXCESS OF 1,000 DEGREES F (538 DEGREES C). BRAZING ALLOYS SHALL NOT CONTAIN PHOSPHOROUS.
- TUBING JOINTS SHALL EITHER BE MADE WITH FLARED GAS TUBING FITTINGS, OR BRAZED WITH A MATERIAL HAVING A MELTING POINT IN EXCESS OF 1,000 DEGREES F (538 DEGREES C). BRAZING ALLOYS SHALL NOT CONTAIN PHOSPHOROUS. METALLIC BALL SLEEVE COMPRESSION TYPE TUBING FITTINGS SHALL NOT BE USED FOR THIS PURPOSE INSIDE OR UNDER BUILDINGS BUT MAY BE USED
- FITTINGS (EXCEPT STOPCOCKS OR VALVES) SHALL BE MALLEABLE IRON OR STEEL WHEN USED WITH STEEL OR WROUGHT IRON PIPE AND SHALL BE COPPER OR BRASS WHEN USED WITH COPPER OR BRASS PIPE OR TUBING.
- GAS PIPING AND FITTINGS SHALL BE CLEAR AND FREE FROM CUTTING BURRS AND DEFECTS IN STRUCTURE OR THREADING AND SHALL BE THOROUGHLY BRUSHED AND SCALE BLOWN.
- ALL GAS PIPING SHALL BE INSTALLED IN ACCORDANCE WITH NCSBC FUEL GAS CODE & NFPA 54.
- JOINT COMPOUNDS (PIPE DOPE) SHALL BE APPLIED SPARINGLY AND ONLY TO THE MALE THREADS OF METALLIC JOINTS. SUCH COMPOUNDS SHALL BE RESISTANT TO THE ACTION OF LIQUEFIED PETROLEUM GASES.
- ALL EXPOSED STEEL PIPE/FITTINGS SHALL BE PRIMED AND PAINTED FOR PROTECTION. GRADE ALL GAS PIPING AT 1/4" PER 10' TOWARD LOW POINT.
- SHUTOFF VALVES (STOP COCKS) SHALL COMPLY WITH ANSI Z21.15, ANSI Z21.21, OR ANSI B16.33 OR ANSI/UL 842. ALL VALVES SHALL BE MANUAL. HOUSE VALVE SHALL BE EQUIPPED WITH LOCKING LUGS FOR SECURITY.

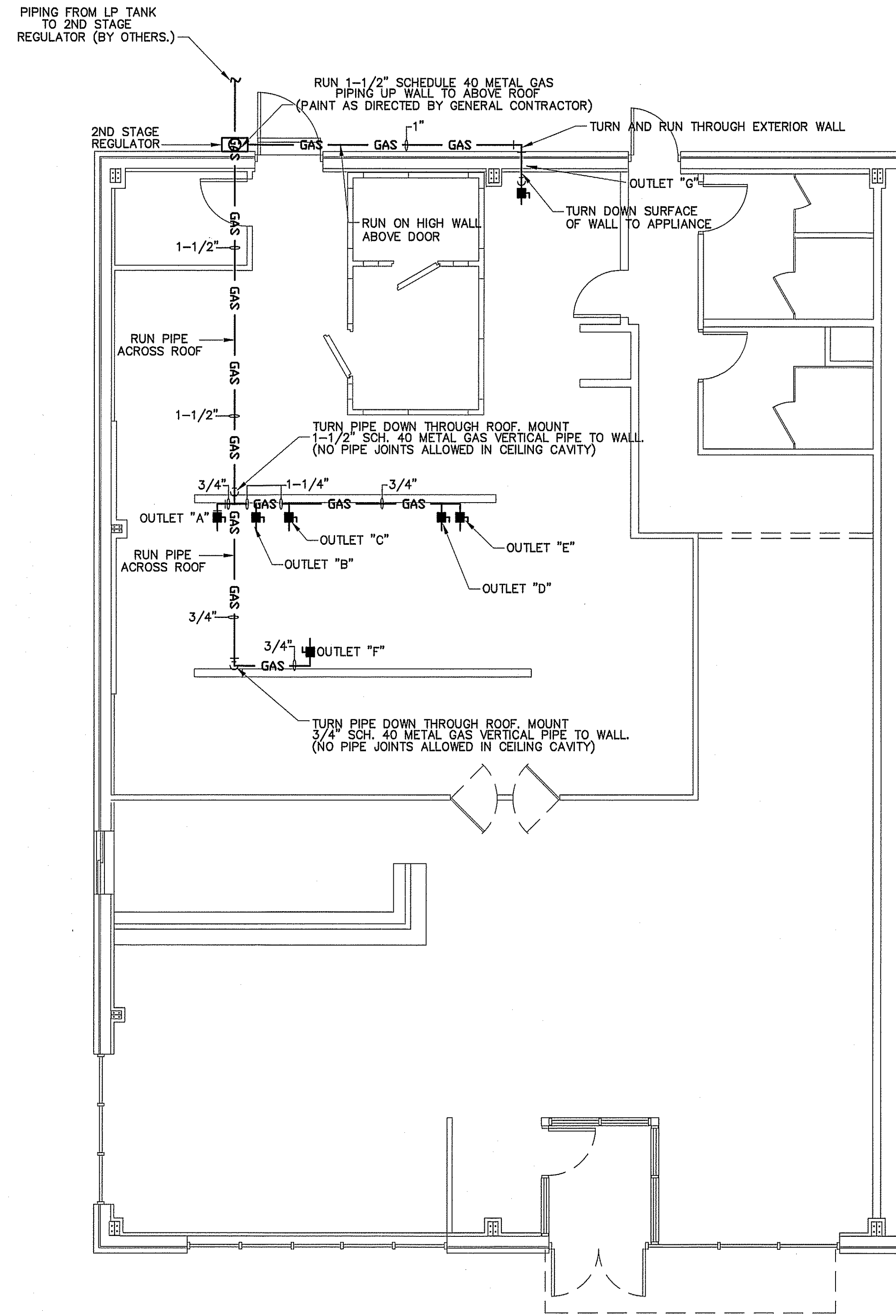
GAS PIPING SIZING

OUTLET "A"	150 MBH
OUTLET "B"	72 MBH
OUTLET "C"	350 MBH
OUTLET "D"	135 MBH
OUTLET "E"	26.5 MBH
OUTLET "F"	17.5 MBH
OUTLET "G"	199 MBH
TOTAL	950 MBH

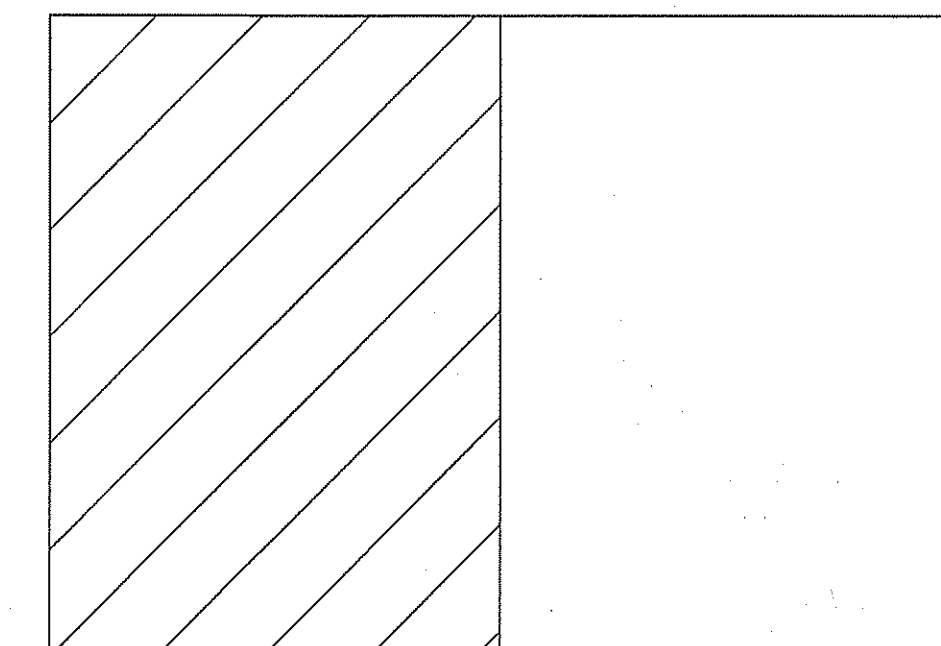
LENGTH OF PIPE FROM THE POINT OF DELIVERY TO MOST REMOTE OUTLET (OUTLET "G") IS 74 FT.
 PIPE SIZED USING 0.5" W.C. PRESSURE DROP AT 11" W.C. INLET SETTING - UNDILUTED PROPOANE CAPACITIES IN 1,000 BTU/HR. PIPE SIZED USING TABLE 402.4(28), SCHEDULE 40 METALLIC PIPE, PROPANE GAS.



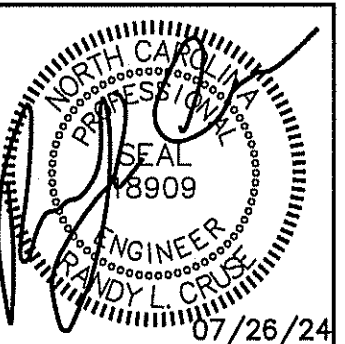
DETAIL-TYPICAL GAS PIPING CONNECTION TO EQUIPMENT
 NOT TO SCALE



GAS PIPING PLAN
 SCALE: 3/16" = 1'-0"

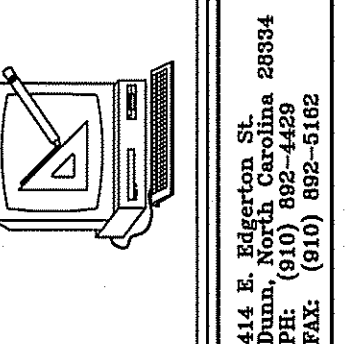


KEY PLAN



PLANS FOR:
T&L COATS UP-FIT
BLUE AGAVE MEXICAN GRILL
 COATS, NORTH CAROLINA

REVISIONS	
NO.	



Cruse and Associates, P.A.

THESE DOCUMENTS ARE INSTRUMENTS OF SERVICE AND AS SUCH THESE DRAWINGS, DESIGNS, AND DESIGN CONCEPTS PRESENTED REMAIN THE PROPERTY OF THE ENGINEER. PUBLISH OR DUPLICATE THE DRAWINGS OR DESIGNS ONLY WITH THE WRITTEN PERMISSION OF THE ENGINEER.
 © COPY RIGHT

DATE 07-26-24
 DRAWN BY BAM
 JOB NO. 24-06

SHEET NO.
M-2 OF 3

444 E. Edgerton St. Raleigh, NC 27604
 PH: (919) 898-4429
 FAX: (919) 898-5182
 LICENSE NO.: C-1721

AIR HANDLER UNIT																	SPLIT SYSTEM HEAT PUMP UNITS									
AHU NO.	MANUFACTURER	MODEL	VOLTAGE	E.S.P.	CFM	UNIT FLA	REF LINES		SEER	HTR KW (208)	COOLING CAPACITY (MBH)		HEATING CAPACITY (MBH)		HSPF	MIN. CIRC. AMPACITY	M.O.C.P.	MARK	MANUF.	MODEL	VOLTAGE	# COMP./NO. STAGES	MIN. CIRC. AMPACITY	M.O.C.P.	UNIT FLA.	ACCESSORIES
							GAS	LIQ.			TOTAL	SENS.	HIGH	LOW												
AHU-4	TRANE	TEM6A0C48H41	208/1/60	.46	N/A	1400	34.6	3/4	3/8	17.0	7.2	42.0	30.3	39.0	9.6	52	60	HP-4	TRANE	4TWR6042N1000A	208/1/60	1-2S	24	40	19.5	EXCLUDE 8,18
AHU-3	TRANE	TEM6A0C48H41	208/1/60	.46	N/A	1600	34.6	7/8	3/8	16.0	7.2	46.5	31.8	42.5	9.0	52	60	HP-3	TRANE	4TWR6048N1000A	208/1/60	1-2S	28	45	22.2	EXCLUDE 8,18
AHU-1,2	TRANE	TEM6A0D60H51	208/1/60	.46	N/A	2000	34.6	7/8	3/8	15.0	7.2	55.0	42.9	56.9	9.0	52	60	HP-1,2	TRANE	4TWR6060N1000A	208/1/60	1-2S	35	60	28.2	EXCLUDE 8,18

** PROVIDE OUTDOOR THERMOSTAT TO LOCK OUT SUPPLEMENTAL ELECTRIC HEAT AT OUTDOOR TEMPERATURES ABOVE 40°F.

REGISTER, GRILLE, & DIFFUSER SCHEDULE*									
MARK	DESCRIPTION	MAX. NC	NECK	BORDER TYPE	MATERIAL	FINISH	MANUF.	MODEL NUMBER	ACCESSORIES/NOTES
A	DIFFUSER-2-WAY	30	9"x9"	LAY-IN	STEEL	WHITE	TITUS	TDC 9X9 3 26 2	SQ-TO-RND
B	DIFFUSER-4-WAY	30	9"x9"	LAY-IN	STEEL	WHITE	TITUS	TDC 9X9 3 26 4	SQ-TO-RND
C	DIFFUSER-3-WAY	30	6"x6"	LAY-IN	STEEL	WHITE	TITUS	TDC 6X6 3 26 3	SQ-TO-RND
D	DIFFUSER-4-WAY	30	6"x6"	LAY-IN	STEEL	WHITE	TITUS	TDC 6X6 3 26 4	SQ-TO-RND
E	DIFFUSER-1-WAY	30	6"x6"	LAY-IN	STEEL	WHITE	TITUS	TDC 6X6 3 26 1	SQ-TO-RND
R	RETURN GRILLE	30	20"x20"	LAY-IN	STEEL	WHITE	TITUS	23RFL 20X20 24X24 3 26	SQ-TO-RND
TG	TRANSFER GRILLE	30	12"x12"	LAY-IN	STEEL	WHITE	TITUS	23RFL 12X12 24X24 3 26	SQ-TO-RND

* VERIFY CEILING TYPE BEFORE ORDERING, NARROW TEE REQUIREMENTS, PLASTER FRAMES ETC. TO BE INCLUDED WITH DIFFUSERS AT NO ADDITIONAL COST TO OWNER

EXHAUST FAN SCHEDULE										
MARK	MAKE	MODEL	TYPE	CFM	EXTERNAL S.P. IN (W.G.)	AMPS	ELECTRICAL			NOTES
							VOLT	PH	HZ	
EF-1,2	GREENHECK	CSP-A250	CEILING FAN	140	.125	.79	115	1ø	60	WC-8 WALL CAP

LOUVER SCHEDULE					
MARK	DESCRIPTION	SERVES	CFM	APPROXIMATE OUTSIDE DIMENSIONS (W X H)	MODEL
L1	OUTSIDE AIR LOUVER	AHU 2 & 3	600	24"x24"	HART & COOLEY 1530ZF 24X24 W/ INSECT SCREEN
L2	OUTSIDE AIR LOUVER	AHU-1	300	18"x18"	HART & COOLEY 1530ZF 18X18 W/ INSECT SCREEN
L3	OUTSIDE AIR LOUVER	AHU-4	200	12"x18"	HART & COOLEY 1530ZF 12X18 W/ INSECT SCREEN

*COLOR SELECTED BY OWNER OR PAINTED TO MATCH AS DIRECTED BY OWNER.

NOTE:
COLORS & STYLES OF DEVICES TO BE SELECTED BY OWNER.

MECHANICAL SYSTEMS, SERVICE SYSTEMS AND EQUIPMENT
THERMAL ZONE 4A - HARNETT COUNTY, NC

WINTER DRY BULB 16 DEG. F.
SUMMER DRY BULB 93 DEG. F.

INTERIOR DESIGN CONDITIONS

WINTER DRY BULB 59 DEG. F.
SUMMER DRY BULB 78 DEG. F.

RELATIVE HUMIDITY 55%

BUILDING HEATING LOAD 47 MBH

BUILDING COOLING LOAD 17.5 TONS

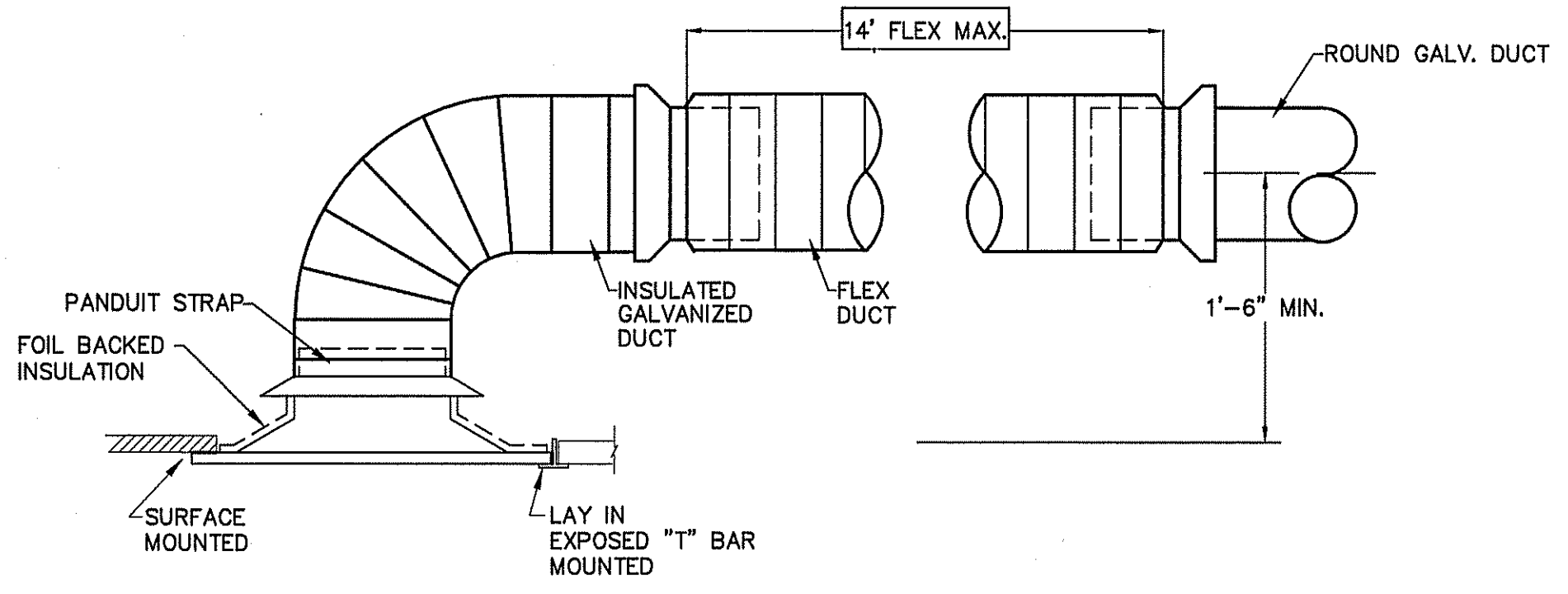
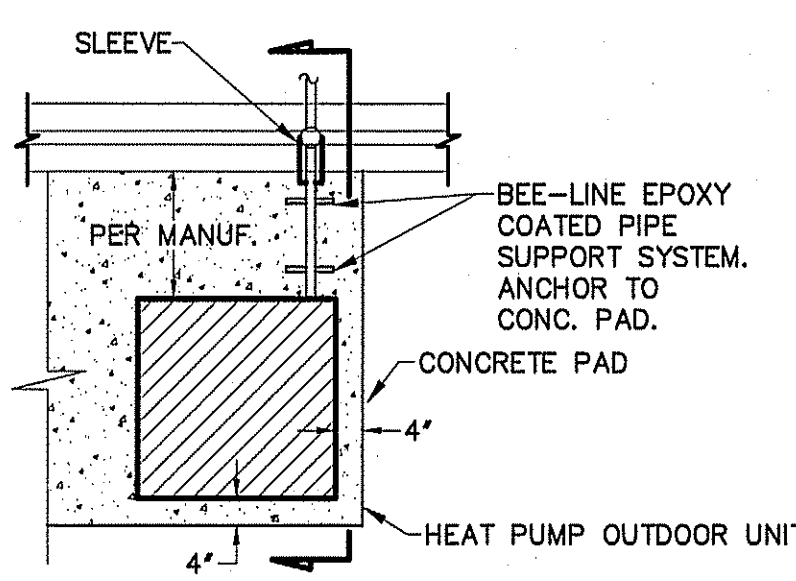
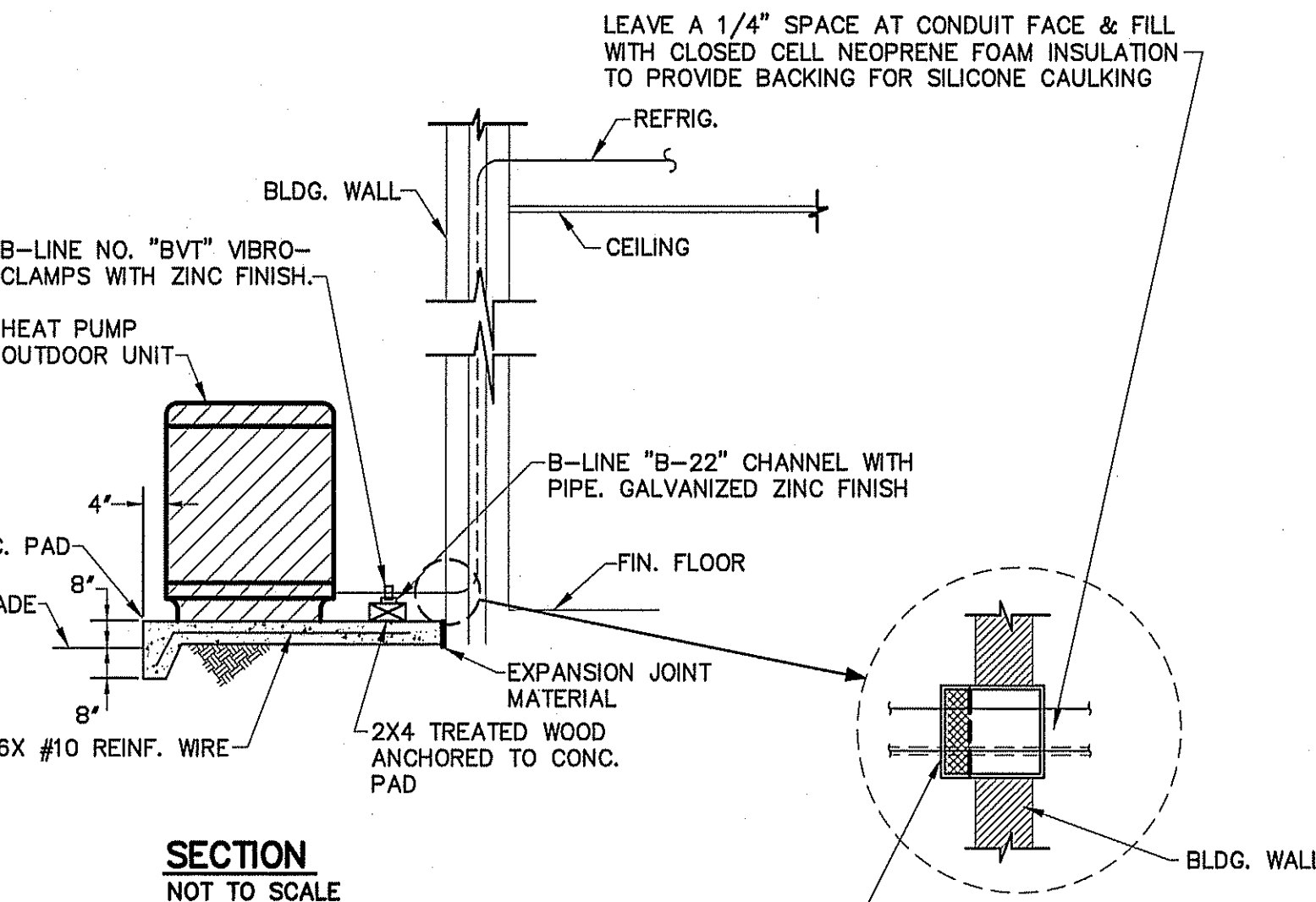
MECHANICAL SPACE CONDITIONING SYSTEM

UNITARY
DESCRIPTION OF UNIT - HEAT PUMP
HEATING EFFICIENCY - 9.0 HSPF
COOLING EFFICIENCY - 15.0 SEER
SIZE CATEGORY OF UNIT - ≤ 65,000 BTUH

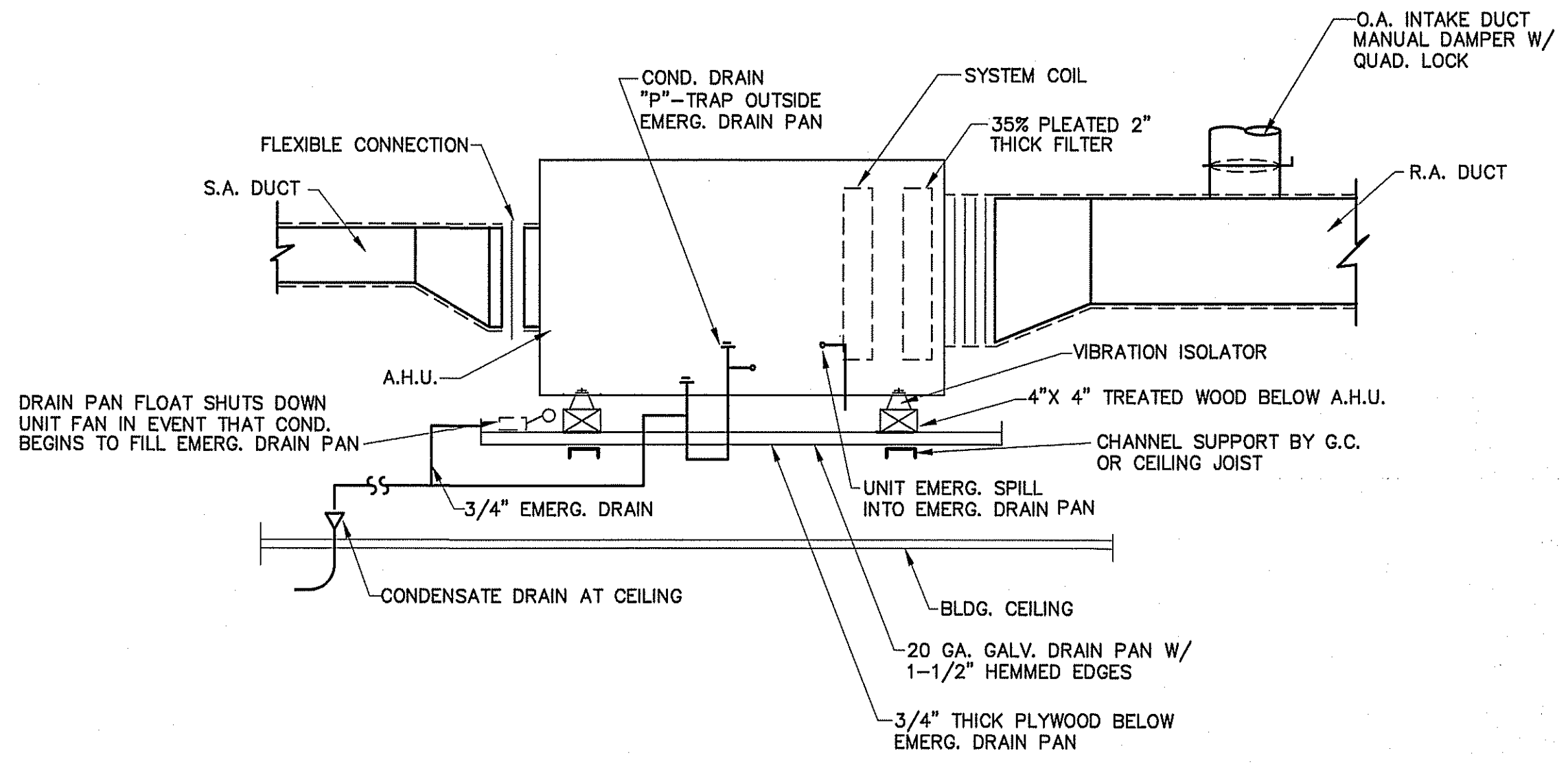
BOILER
SIZE CATEGORY: IF OVERSIZED, STATE REASON: N/A

CHILLER
SIZE CATEGORY: IF OVERSIZED, STATE REASON: N/A

LIST EQUIPMENT EFFICIENCIES SEE SCHEDULE



DETAIL-CEILING DIFFUSER CONNECTION
NOT TO SCALE



TYPICAL DETAIL AT AIR HANDLING UNITS
NOT TO SCALE

DETAIL-TYPICAL HEAT PUMP OUTDOOR UNIT
NOT TO SCALE

RECTANGULAR

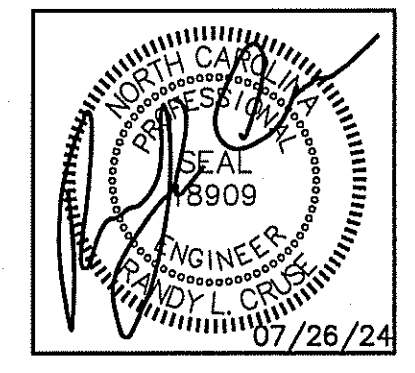
ROUND

DIFFUSER

TYPICAL LATERAL TO REGISTER OR BRANCH DUCT
NOT TO SCALE

MECHANICAL NOTES (GENERAL)

- DUCTWORK LAYOUTS ARE SCHEMATIC. ALL RISES, DROPS, OFFSETS, AND TRANSITIONS REQUIRED BUT ARE NOT SHOWN SHALL BE PROVIDED AND INSTALLED BY THE CONTRACTOR AT NO ADDITIONAL EXPENSE TO THE OWNER.
- DUCTWORK SHALL BE GALVANIZED STEEL AND SHALL BE CONSTRUCTED IN COMPLIANCE WITH SMACNA STANDARDS FOR LOW VELOCITY DUCTWORK. DUCT SIZES SHOWN ARE INSIDE CLEAR DIMENSIONS. FLEXIBLE RUNOUTS SHALL NOT EXCEED 15' AND SHALL NOT BE USED TO FORM ELBOWS. CONNECTIONS FROM RECTANGULAR TO ROUND DUCT SHALL BE MADE WITH MANUFACTURED 45 DEG. LATERAL TAPS.
- ALL DUCTWORK SHALL BE SEALED AIR TIGHT WITH SEALING COMPOUND.
- ALL ELBOWS IN DUCTWORK SHALL BE RADIUS ELBOWS, UNLESS NOTED OTHERWISE. WHERE SQUARE ELBOWS ARE SHOWN, INSTALL TURNING VANES. DUCT SIZES SHOWN ARE NET INTERIOR DIMENSIONS.
- THIS CONTRACTOR SHALL COORDINATE HIS WORK WITH THAT OF OTHER TRADES PRIOR TO INSTALLATION OF ANY OF HIS PIPING, DUCTWORK, OR EQUIPMENT.
- THE MECHANICAL CONTRACTOR SHALL MAKE A COMPLETE REVIEW OF THE MECHANICAL PLANS, SCHEDULES, AND DETAILS PRIOR TO INSTALLATION OF THE MECHANICAL SYSTEMS AND REVIEW ANY CONFLICTS THAT ARE NOTED WITH THE ENGINEER.
- IT WILL BE THE RESPONSIBILITY OF THE MECHANICAL CONTRACTOR TO ENSURE THAT ITEMS TO BE FURNISHED UNDER HIS CONTRACT WILL FIT THE SPACE AVAILABLE. HE SHALL MAKE NECESSARY FIELD MEASUREMENTS TO ASCERTAIN SPACE REQUIREMENTS, INCLUDING THOSE FOR CONNECTIONS AND SHALL FURNISH AND INSTALL SUCH SIZES AND SHAPES OF EQUIPMENT THAT ARE THE TRUE AND INTENT MEANING OF THE PLANS AND SPECIFICATIONS. HE SHALL PROVIDE THE ENGINEER SCALED DRAWINGS OF ALL MECHANICAL DRAWINGS.
- ALL EQUIPMENT SHALL BE LOCATED AND INSTALLED TO PROVIDE MAXIMUM SPACE FOR MAINTENANCE AND SERVICE.
- PROVIDE FACTORY OR FIELD INSTALLED DRAIN PANS UNDER ALL COOLING COIL UNITS. INSTALL DRAIN PAN FLOAT TO SHUT DOWN UNIT FAN IN EVENT THAT CONDENSATE BEGINS TO FILL EMERGENCY DRAIN PAN. RUN ALL CONDENSATE DRAIN LINES TO APPROPRIATE DRAIN.



PLANS FOR:
T&L COATS UP-FIT
BLUE AGAVE MEXICAN GRILL
COATS, NORTH CAROLINA

REVISIONS	
NO.	

Andy L. Cruse
Professional Engineer
License No. 98909
P.E. (910) 892-4429
FAX: (910) 892-5162

Cruse
And
Associates, P.A.
LICENSE NO.: C-1721

THESE DOCUMENTS ARE INSTRUMENTS OF SERVICE AND AS SUCH THESE DRAWINGS, DESIGNS, AND DESIGN CONCEPTS PRESENTED REMAIN THE PROPERTY OF THE ENGINEER. PUBLISHED OR DUPLICATED DRAWINGS OR DESIGNS ONLY WITH THE WRITTEN PERMISSION OF THE ENGINEER.
© COPY RIGHT

DATE 07-26-24
DRAWN BY BAM
JOB NO. 24-06

SHEET NO.
M-3 OF 3

ELECTRICAL LEGEND	
MARK	DESCRIPTION
Ⓜ	'GFI' DUPLEX WITH WEATHERPROOF COVER
Ⓜ	GROUND FAULT INTERRUPTING RECEPTACLE
Ⓜ	208V OR 240 V RECEPTACLE
◀	TELEPHONE/DATA OUTLET
Ⓜ	JUNCTION BOX
Ⓜ	FUSED DISCONNECT SWITCH
Ⓜ	"STEEL CITY" FLOOR BOX WITH CAT 5E CABLE FOR DATA
↔	SWITCHED BRANCH CIRCUIT
↔	UNSWITCHED BRANCH CIRCUIT
↔	120/208 VOLT CIRCUIT
Ⓜ	CEILING OR ATTIC MOUNTED DUPLEX RECEPTACLE
Ⓜ	LIGHT FIXTURE (WALL/CEIL.)
Ⓜ	FLUORESCENT FIXTURE
Ⓜ	UNSWITCHED FIXTURE
Ⓜ	'EXIT' LIGHT FIXTURE, TYPE 'EX'
Ⓜ	BATTERY OPERATED EMERG. LT. (2-HEAD, WALL MTD.)
Ⓜ	SINGLE-POLE SWITCH
Ⓜ	3-WAY SWITCH (4-WAY SWITCH)
Ⓜ	DUPLEX RECEPTACLE
Ⓜ	CEILING MOUNTED RECEPTACLE
Ⓜ	EMERGENCY LIGHT REMOTE WEATHERHEAD(S)
Ⓜ	WALL MOUNTED OCCUPANCY SENSOR WITH SWITCH
Ⓜ	CEILING MOUNTED OCCUPANCY SENSOR

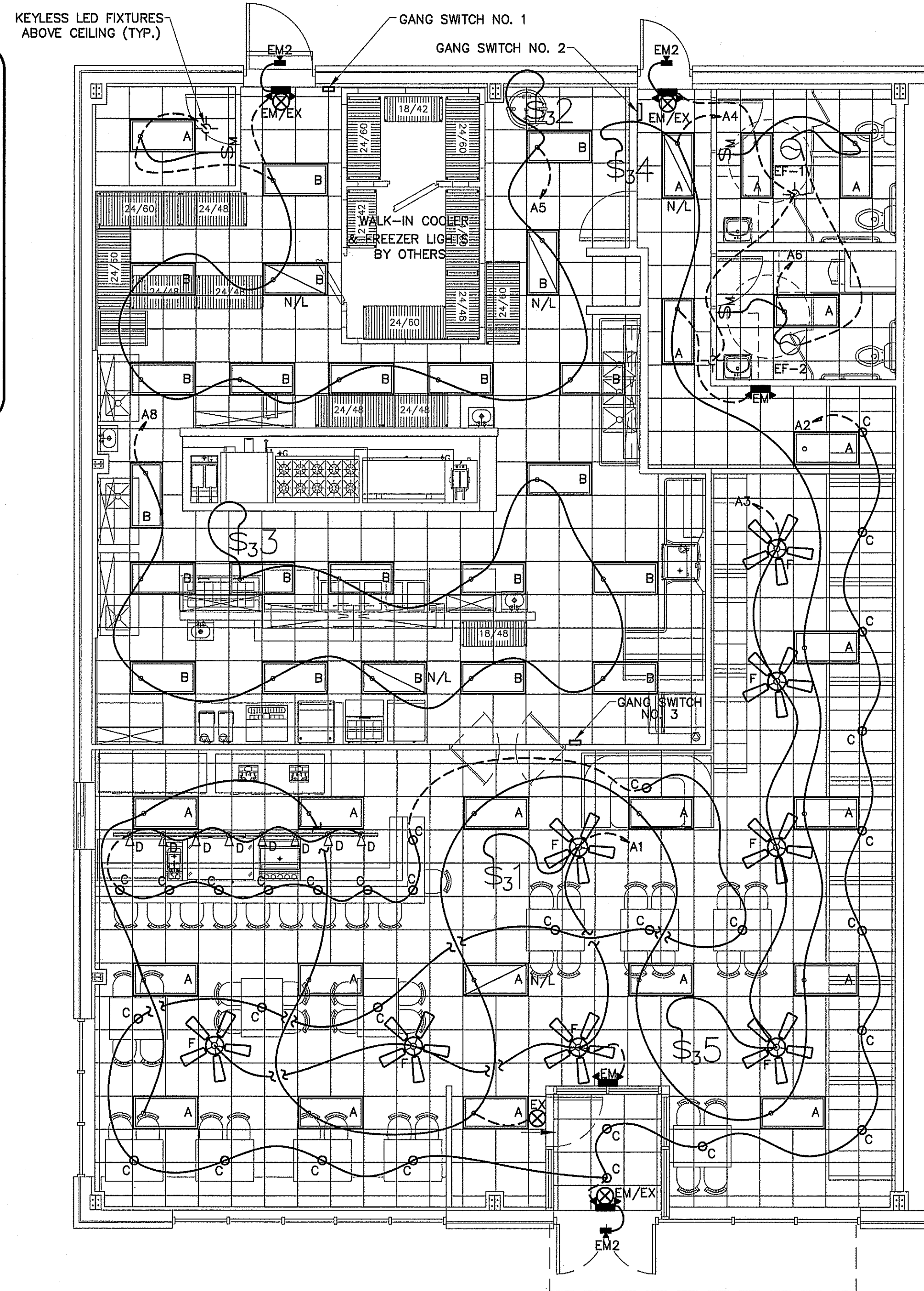
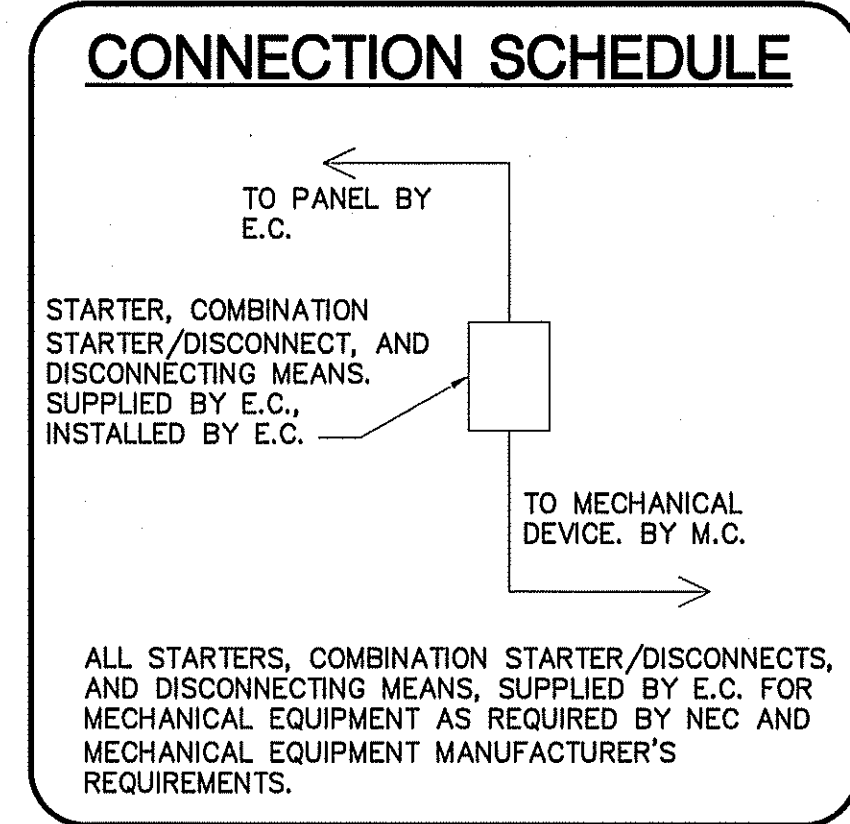
NOTES:

1. ALL FIXTURES ARE TO BE APPROVED BY OWNER BEFORE PURCHASE.
2. SHOULD FIXTURE WATTAGE VARY FROM SCHEDULE, E.C. SHALL VERIFY CIRCUIT LOADING BEFORE BEGINNING CONSTRUCTION.
3. ALL STYLES, COLORS, FINISHES AND LOCATIONS OF FIXTURES/EQUIPMENT, AND DEVICES SHALL BE SELECTED BY OWNER.
4. VERIFY ALL SWITCH LOCATIONS WITH OWNER BEFORE BEGINNING CONSTRUCTION.
5. SEE SHELL BUILDING PLANS FOR EXTERIOR LIGHTING LAYOUT.

NOTE:
E.C., OWNER, AND G.C. TO VERIFY ALL EQUIPMENT LOCATIONS, SPECIFICATIONS, & REQUIREMENTS BEFORE BEGINNING CONSTRUCTION.

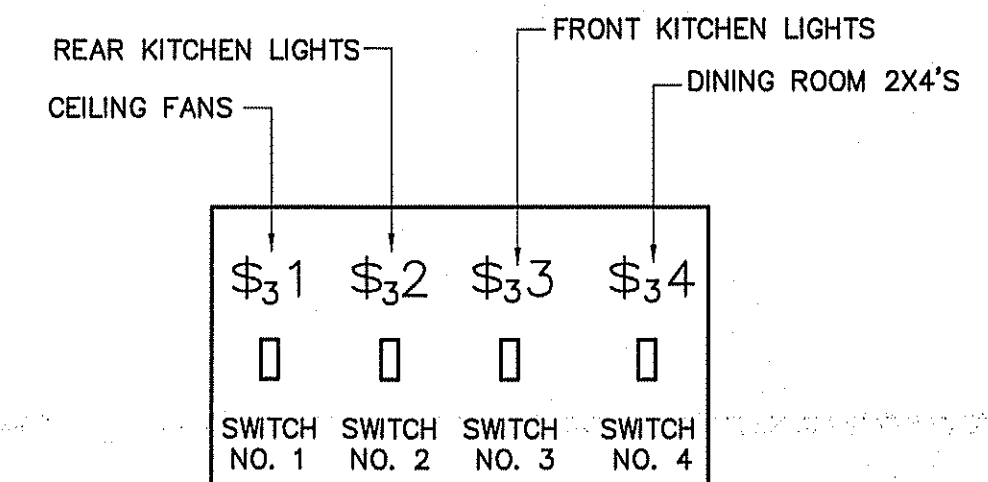
LIGHT FIXTURE SCHEDULE							
MARK	DESCRIPTION	MANUFACTURER	CATALOG NUMBER	LAMPS	BALLASTS	WATTAGE	REMARKS
A	2X4 LED FLAT PANEL LAY-IN	-	SELECTED BY OWNER	LED		32.0	4000/5000/6000 LUMEN OPTIONS
B	2X4 LED FLAT PANEL LAY-IN	-	SELECTED BY OWNER	LED		42.0	4000/5000/6000 LUMEN OPTIONS
C	6" WHITE LED RECESSED CAN LIGHT	-	SELECTED BY OWNER	LED		12.0	
D	TRACK LIGHTING	-	-	LED		21	BASED ON (1) LED HEAD PER LINEAR FOOT OF TRACK
F	CEILING FAN	-	SELECTED BY OWNER			240	
EM	EMERGENCY LIGHT WITH BATTERY BACKUP	SURE-LITES	CC8MRT2142SM				
EX	LED TYPE EXIT LIGHT WITH BATTERY BACKUP	SURE-LITES	LPX 70 RW 120/277				
EM2	EMERGENCY LIGHT REMOTE WEATHERHEAD(S)	SURE-LITES	12T-12-WWH OR 12T-12-DWH OR EQUAL				

FIXTURES SELECTED BY OWNER AND PURCHASED BY CONTRACTOR
SEE SHELL BUILDING LIGHTING LAYOUT FOR EXTERIOR. VERIFY FIXTURE TYPES AND LOCATION WITH OWNER BEFORE BEGINNING CONSTRUCTION.

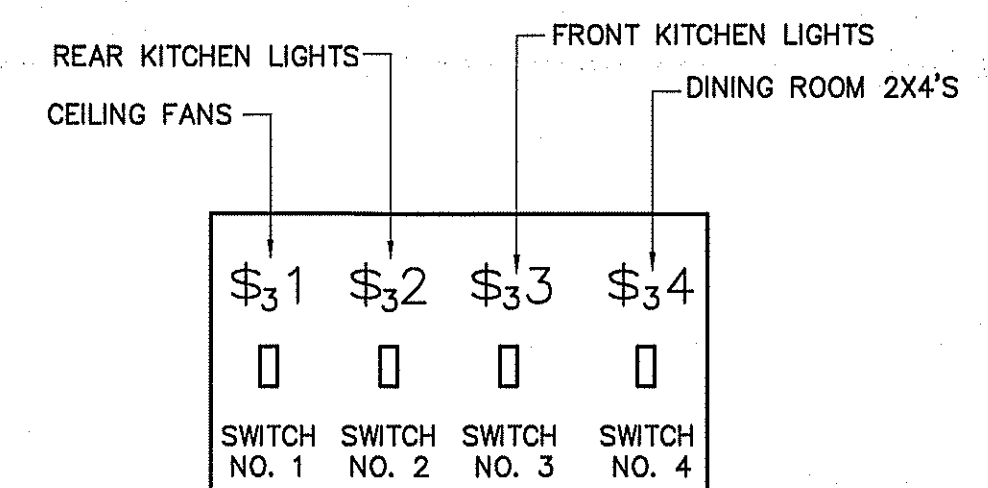


ELECTRICAL LIGHTING PLAN
SCALE: 3/16" = 1'-0"

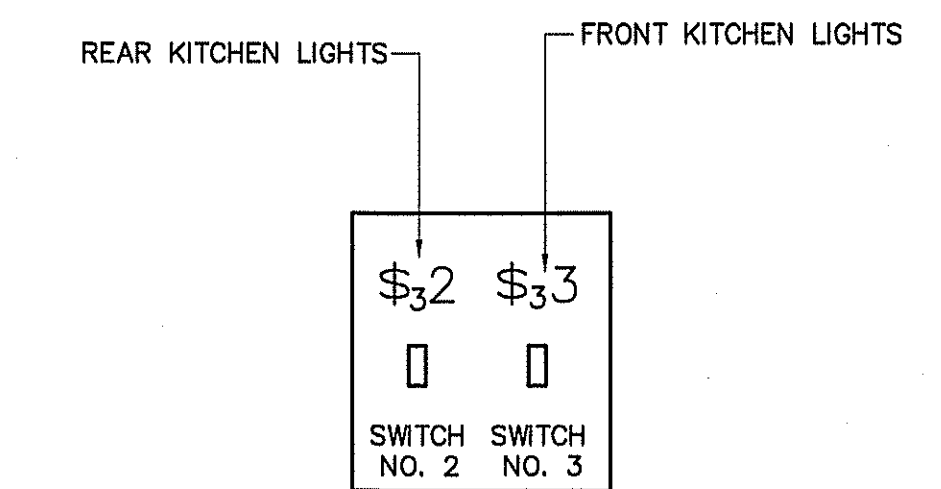
LIGHTING DATA FOR ENERGY CODE (LEFT HALF)					
AREA USE	AREA FT ²	WATTS PER FT ² ALLOWED	TOTAL WATTS ALLOWED	TOTAL WATTS USED	TOTAL WATTS LEFT OVER
RESTAURANT	3500	1.5	5250	2334	2916
TOTAL	3500		5250	2334	2916



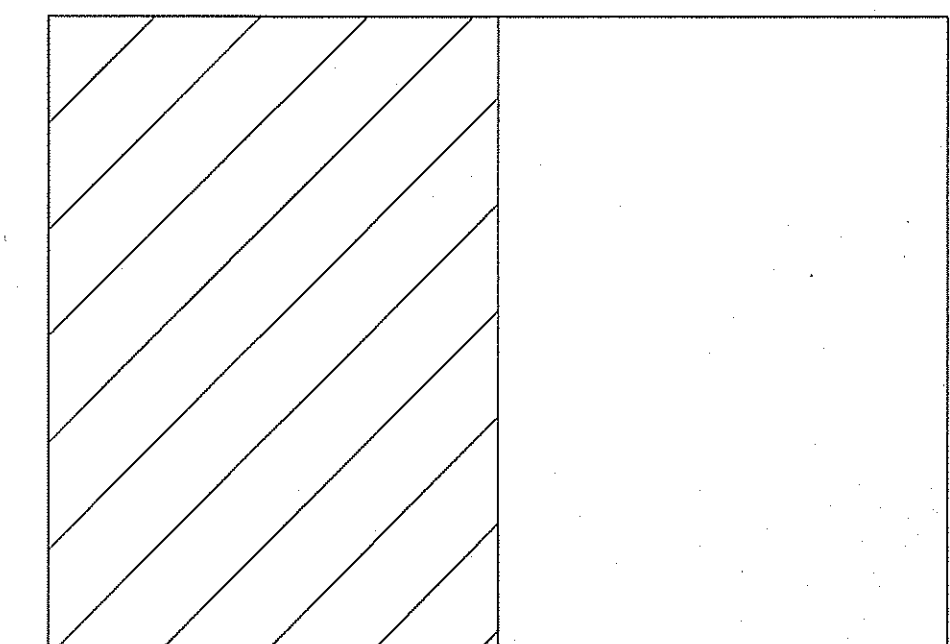
DETAIL-GANG SWITCH NO. 1
NOT TO SCALE



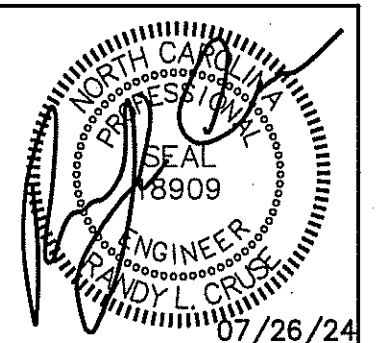
DETAIL-GANG SWITCH NO. 2
NOT TO SCALE



DETAIL-GANG SWITCH NO. 3
NOT TO SCALE

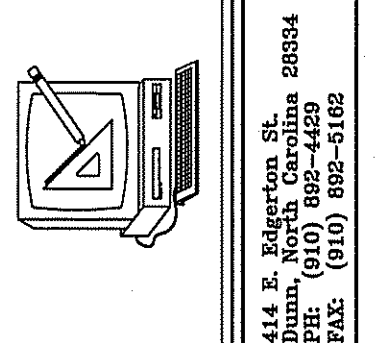


KEY PLAN



PLANS FOR:
T&L COATS UP-FIT
BLUE AGAVE MEXICAN GRILL
COATS, NORTH CAROLINA

REVISIONS	
NO.	



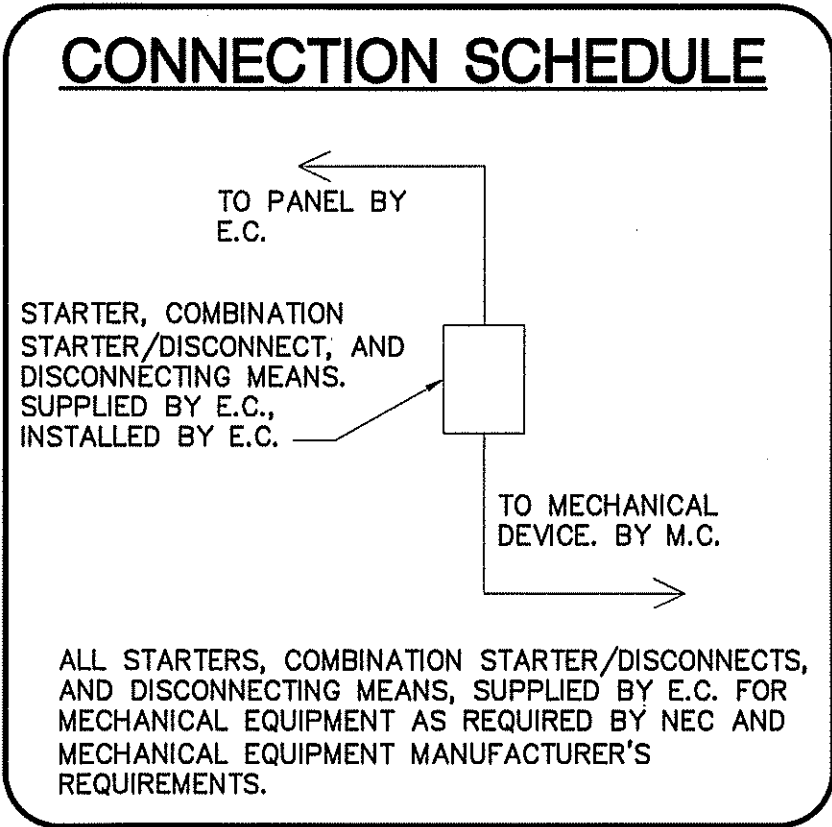
Cruse
And
Associates, P.A.

THESE DOCUMENTS ARE INSTRUMENTS OF SERVICE AND AS SUCH THESE DRAWINGS, DESIGNS, AND DESIGN CONCEPTS PRESENTED REMAIN THE PROPERTY OF THE ENGINEER. PUBLISH OR DUPLICATE THE DRAWINGS OR DESIGNS ONLY WITH THE WRITTEN PERMISSION OF THE ENGINEER.
© COPY RIGHT

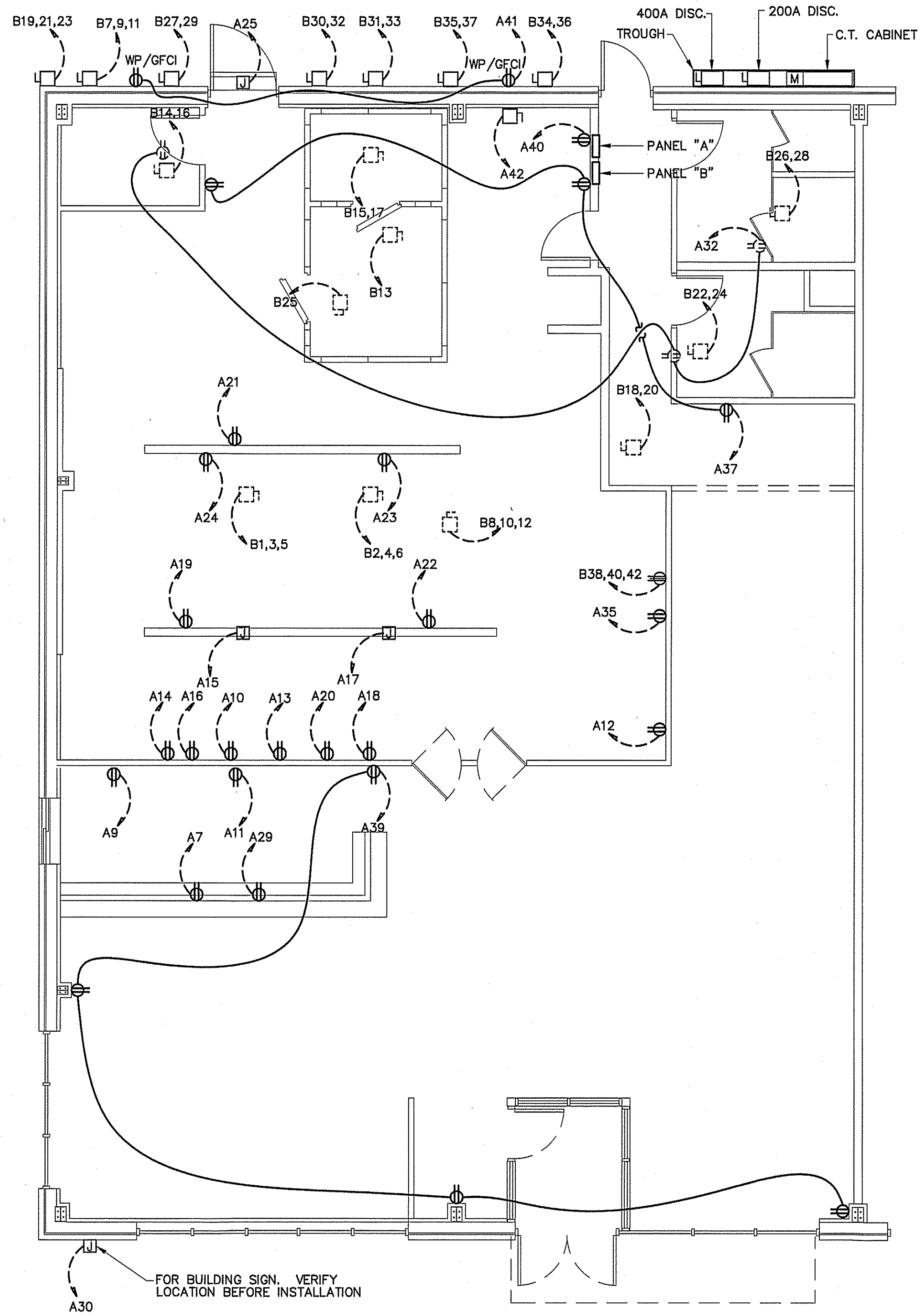
DATE 07-26-24
DRAWN BY BAM
JOB NO. 24-06

SHEET NO.
E-1 OF 3

ELECTRICAL LEGEND	
MARK	DESCRIPTION
⊕ WP	'GFI' DUPLEX WITH WEATHERPROOF COVER
⊕ GFI	GROUND FAULT INTERRUPTING RECEPTACLE
⊕ IG	208V OR 240 V RECEPTACLE
◀	TELEPHONE/DATA OUTLET
⊠	JUNCTION BOX
□	FUSED DISCONNECT SWITCH
⊠	"STEEL CITY" FLOOR BOX WITH CAT 5E CABLE FOR DATA
↗	SWITCHED BRANCH CIRCUIT
↘	UNSWITCHED BRANCH CIRCUIT
↖	120/208 VOLT CIRCUIT
⊕	CEILING OR ATTIC MOUNTED DUPLEX RECEPTACLE
⊕/O	LIGHT FIXTURE (WALL/CEIL.)
▬	FLUORESCENT FIXTURE
▬ N/L	UNSWITCHED FIXTURE
⊗	'EXIT' LIGHT FIXTURE, TYPE 'EX'
⊕	BATTERY OPERATED EMERG. LT. (2-HEAD, WALL MTD.)
⊕	SINGLE-POLE SWITCH
⊕ ₃₍₄₎	3-WAY SWITCH (4-WAY SWITCH)
⊕	DUPLEX RECEPTACLE
⊕	CEILING MOUNTED RECEPTACLE
⊕	EMERGENCY LIGHT REMOTE WEATHERHEAD(S)
⊕ _o	WALL MOUNTED OCCUPANCY SENSOR WITH SWITCH
⊕ _o	CEILING MOUNTED OCCUPANCY SENSOR

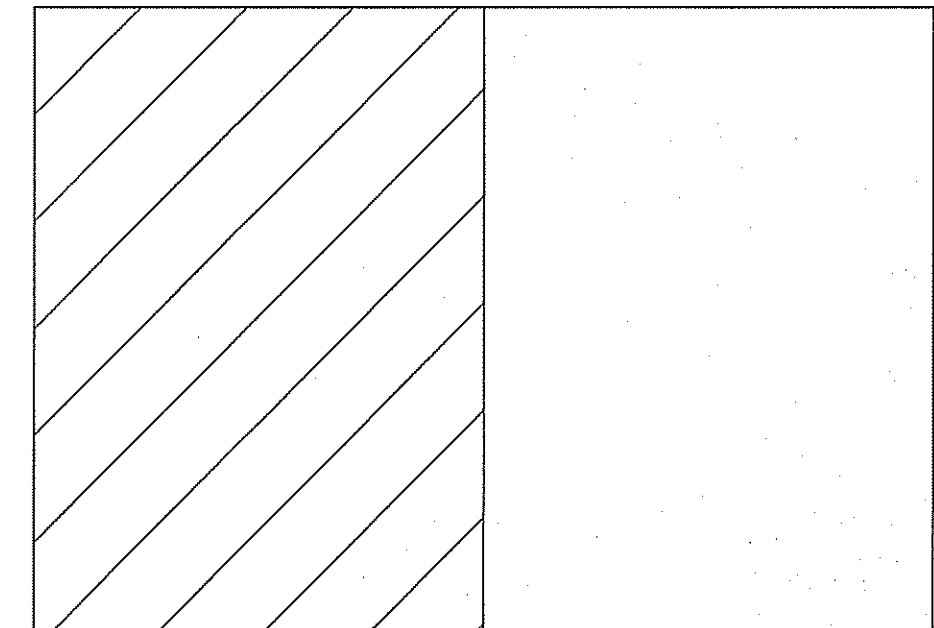


NOTE:
ALL WET AREA RECEPTACLES TO BE GFCI IN ACCORDANCE WITH CURRENT VERSION OF NEC.

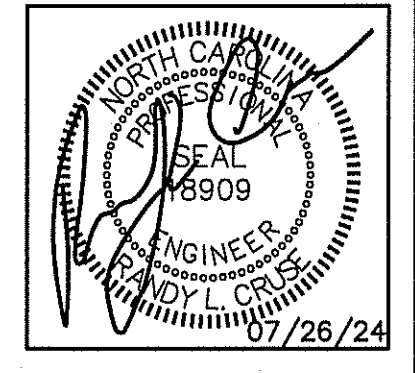


ELECTRICAL POWER PLAN
SCALE: 3/16" = 1'-0"

NOTE:
E.C., OWNER, AND G.C. TO VERIFY ALL EQUIPMENT LOCATIONS, SPECIFICATIONS, & REQUIREMENTS BEFORE BEGINNING CONSTRUCTION.



KEY PLAN



PLANS FOR:
T&L COATS UP-FIT
BLUE AGAVE MEXICAN GRILL
COATS, NORTH CAROLINA

REVISIONS	
NO.	

Cruse And Associates, P.A.

144 E. Ruffalo St.
Durham, North Carolina 28834
Phone: (919) 286-5188
Fax: (919) 286-5188

LICENSE NO.: C-1721

THESE DOCUMENTS ARE INSTRUMENTS OF SERVICE AND AS SUCH THESE DRAWINGS, DESIGNS, AND DESIGN CONCEPTS PRESENTED REMAIN THE PROPERTY OF THE ENGINEER. PUBLISH OR DUPLICATE THE DRAWINGS OR DESIGNS ONLY WITH THE WRITTEN PERMISSION OF THE ENGINEER.
© COPY RIGHT

DATE 07-26-24
DRAWN BY BAM
JOB NO. 24-06

SHEET NO.
E-2 OF 3

PANEL: A SCHEDULE: MANUFACTURER: SQ. D NO. OF SPACES: 42
 VOLTS: 120/208 AMPS: 200 TYPE: "NQOD" MOUNTING: SURFACE
 ENCLOSURE: NEMA 1 Ø: 3 SHORT CIRCUIT RATING: 22K
 MAINS: MLO: TOP FEED: BOTTOM FEED: COPPER BUS: GROUND BAR KIT: NEUTRAL BAR KIT:

NOTE:
 VERIFY AIC RATING WITH
 UTILITY COMPANY BEFORE
 ORDERING PANELS.

**ELECTRICAL SYSTEM AND EQUIPMENT
 METHOD OF COMPLIANCE:**

ENERGY CODE: PRESCRIPTIVE PERFORMANCE
 ASHRAE 90.1: PRESCRIPTIVE PERFORMANCE

REFER TO DRAWINGS FOR RISER DIAGRAM AND PANEL SCHEDULES

LIGHTING SCHEDULE

LAMP TYPE REQUIRED IN FIXTURE: SEE SCHEDULE

NUMBER OF LAMPS IN FIXTURE:

BALLASTS TYPE USED IN FIXTURE:

NUMBER OF BALLASTS IN FIXTURE:

TOTAL WATTAGE PER FIXTURE:

TOTAL INTERIOR WATTAGE SPECIFIED VS. ALLOWED:

TOTAL EXTERIOR WATTAGE SPECIFIED VS. ALLOWED:

ADDITIONAL PRESCRIPTIVE COMPLIANCE

- 506.2.1 MORE EFFICIENT MECHANICAL EQUIPMENT
- 506.2.2 REDUCED LIGHTING POWER DENSITY
- 506.2.3 ENERGY RECOVERY VENTILATION SYSTEMS
- 506.2.4 HIGHER EFFICIENCY SERVICE WATER HEATING
- 506.2.5 ON-SITE SUPPLY OF RENEWABLE ENERGY
- 506.2.6 AUTOMATIC DAYLIGHTING CONTROL SYSTEMS

ELECTRICAL NOTES (GENERAL)

1. THE ELECTRICAL INSTALLATION, EQUIPMENT, MATERIALS, AND WORKMANSHIP SHALL, AS A MINIMUM, BE IN ACCORDANCE WITH THE REQUIREMENTS OF THE NATIONAL ELECTRICAL CODE (NEC), OCCUPATIONAL SAFETY AND HEALTH ACT (OSHA), ALL APPLICABLE FEDERAL, STATE, COUNTY, AND LOCAL CODES, LAWS, AND ORDINANCES, AND RULINGS OF THE INSPECTION AUTHORITIES HAVING JURISDICTION. ALL FEES, PERMITS, ETC., ASSOCIATED WITH THE ELECTRICAL WORK SHALL BE THE RESPONSIBILITY OF THE ELECTRICAL CONTRACTOR.
2. THE DRAWINGS GENERALLY INDICATE THE WORK TO BE INSTALLED, BUT DO NOT SHOW ALL BENDS, BOXES, FITTINGS, AND SPECIALTIES WHICH MAY BE REQUIRED FOR A COMPLETE INSTALLATION. ALL SUCH ITEMS REQUIRED TO COMPLETE THE INSTALLATION ACCORDING TO INDUSTRY ACCEPTED PRACTICES SHALL BE INCLUDED IN THE BID.
3. ALL EQUIPMENT AND MATERIALS SHALL BE NEW AND LISTED AND LABELED BY UNDERWRITERS LABORATORIES, INC.
4. ALL PENETRATIONS OF FIRE WALLS SHALL BE SEALED WITH APPROVED SEALING MATERIALS TO MAINTAIN THE FIRE RATING OF THE WALLS.
5. THE CONTRACTOR SHALL VERIFY WIRE AND FUSE/CIRCUIT BREAKER SIZING FOR ALL MECHANICAL EQUIPMENT PRIOR TO PURCHASING MATERIALS AND INSTALLING BRANCH CIRCUITS.
6. THE ELECTRICAL CONTRACTOR SHALL COORDINATE ALL WORK WITH OTHER TRADES TO AVOID INTERFERENCES AND CONFLICTS. APPARENT INTERFERENCES OR CONFLICTS SHALL BE REPORTED TO THE PRIME CONTRACTOR AND RESOLVED PRIOR TO PROCEEDING WITH THE WORK IN QUESTION.
7. THE ELECTRICAL CONTRACTOR SHALL CONNECT BRANCH CIRCUITS TO THE MAIN LINE TERMINALS OF EQUIPMENT FURNISHED BY OTHER CONTRACTORS. THE ELECTRICAL CONTRACTOR SHALL BE RESPONSIBLE FOR PROVIDING AND INSTALLING ANY NECESSARY SWITCHES, DISCONNECTS, OR OVERCURRENT PROTECTION AHEAD OF SUCH EQUIPMENT.
8. RACEWAYS ARE SHOWN SCHEMATICALLY AND MAY BE REROUTED IN THE FIELD. THEY SHALL BE INSTALLED AT RIGHT ANGLES TO OR PARALLEL WITH BUILDING LINES. THEY SHALL BE RUN CONCEALED WITHIN WALLS OR BUILDING STRUCTURES WHEREVER POSSIBLE.
9. ALL RACEWAYS, EQUIPMENT, ETC., ABOVE A SUSPENDED CEILING SHALL BE MOUNTED A MINIMUM OF 18" ABOVE THE CEILING SO AS NOT TO BLOCK ANY TILE OR FIXTURE ACCESS.
10. THE MINIMUM ALLOWABLE SIZE FOR ANY CONDUIT, IMC, OR EMT SHALL BE 1/2" AND MAY BE USED FOR 2#12 WIRE SWITCHES ONLY. A SWITCHLEG SHALL BE DEFINED AS THE RUN OF CONDUIT FROM THE SWITCH OUTLET BOX TO THE FIRST OUTLET BEING SWITCHED.
11. FULL WEIGHT GALVANIZED RIGID STEEL CONDUIT SHALL BE USED IN THE FOLLOWING AREAS:
 - A. ON THE EXTERIOR OF THE BUILDING OR ROOF.
 - B. VERTICAL DROPS WHERE THE CONDUIT CANNOT BE ANCHORED TO WALLS OR OTHER SUPPORT STRUCTURES.
 - C. WHERE SUBJECT TO MECHANICAL DAMAGE.
12. ALL WIRE AND CABLE SHALL BE COPPER AND HAVE 600 VOLT THHN-THWN INSULATION. ALUMINUM WIRING SHALL NOT BE PERMITTED.
13. THE MINIMUM WIRE SIZE SHALL BE #12 AWG EXCEPT FOR CONTROL WIRING, WHICH MAY BE #14 AWG. CONTROL WIRING SHALL USE STRANDED CONDUCTORS UNLESS OTHERWISE NOTED.
14. ALL METAL RACEWAY SYSTEMS SHALL BE MADE ELECTRICALLY CONTINUOUS. THE RACEWAY SYSTEM SHALL NOT BE THE SOLE GROUNDING METHOD. AN INSULATED COPPER GROUNDING CONDUCTOR SHALL BE INSTALLED FOR ALL FEEDERS AND BRANCH CIRCUITS. AT RECEPTACLES, A GREEN GROUND CONDUCTOR SHALL BE CONNECTED TO THE GROUND TERMINAL OF THE RECEPTACLE.
15. THE ELECTRICAL CONTRACTOR SHALL COORDINATE FUSE AND DISCONNECT SWITCH SIZES WITH THE MECHANICAL EQUIPMENT SUPPLIER PRIOR TO PURCHASE AND INSTALLATION OF BRANCH CIRCUIT EQUIPMENT. IF EQUIPMENT SIZING CHANGES FROM DESIGN SIZES, CIRCUITS SHALL BE RESIZED ACCORDINGLY.
16. LIGHT FIXTURES FOR INSTALLATION IN A SUSPENDED CEILING SHALL BE SECURELY FASTENED TO THE CEILING SUSPENSION SYSTEM IN A MANNER TO PREVENT FIXTURES FROM FALLING. IN ADDITION, 16 GAGE WIRE HANGERS SHALL BE FASTENED TO THE FOUR CORNERS OF THE FIXTURES.
17. CONNECTIONS TO FIXTURES INSTALLED IN SUSPENDED CEILINGS SHALL BE MADE WITH FLEXIBLE METAL CONDUIT TO ALLOW THE FIXTURE TO BE LIFTED OUT OF THE GRID AND MOVED TO AN ADJACENT GRID LOCATION.
18. BREAKERS SUPPLYING HVAC OR REFRIGERATION EQUIPMENT SHALL BE HACR TYPE.
19. 3/4" CONDUIT IS MINIMUM ALLOWABLE SIZE EXCEPT AS INDICATED IN #10. CONDUIT FILL NOT TO EXCEED 40% AS PERMITTED BY THE NATIONAL ELECTRIC CODE.
20. ALL CONDUCTORS TO BE INSTALLED IN CONDUIT (EXCEPT WHERE ROMEX IS INSTALLED). EMT FITTINGS TO BE COMPRESSION TYPE, INSULATED THROAT.
21. NOT USED
22. DATA, SECURITY, THEATRICAL, AND VIDEO SYSTEMS TO BE PROVIDED BY OWNER. ROUGH-IN OF OUTLETS AND CONDUIT WILL BE BY CONTRACTOR AS SHOWN ON DRAWINGS.
23. NOT USED
24. NO. 10 AWG CONDUCTORS SHALL BE USED FOR 20 AMP BRANCH CIRCUIT HOME RUNS EXCEEDING 50 FT. TO THE JUNCTION POINT. 20 AMP BRANCH CIRCUIT WIRING SHALL BE NO. 10 AWG THROUGHOUT IF THE CIRCUIT IS LONGER THAN 100 FEET TOTAL LENGTH.
25. CONDUCTORS SHALL BE CONTINUOUS FROM OUTLET TO OUTLET. SPLICES WILL NOT BE MADE EXCEPT WITHIN ACCESSIBLE OUTLET OR JUNCTION BOXES, TROUGHS, OR GUTTERS.
26. MAKE CONDUCTOR LENGTHS FOR PARALLEL CIRCUITS EQUAL.
27. INSTALL TELEPHONE OUTLETS WITH 3/4" EMPTY CONDUIT AND PULL CORD. STUB OUT ABOVE CEILING. PHONE SYSTEM INSTALLED BY OWNER.
28. ALL CONDUIT WITHOUT CONDUCTORS SHALL HAVE NYLON PULLCORDS INSTALLED.
29. THE CONTRACTOR SHALL MAKE A COMPLETE REVIEW OF THE PLANS, SCHEDULES, AND DETAILS PRIOR TO INSTALLATION, AND REVIEW ANY CONFLICTS THAT ARE NOTED WITH THE ENGINEER.
30. THE CONTRACTOR SHALL BE RESPONSIBLE FOR ALL FEES FOR PERMITS AND INSPECTIONS. THE CONTRACTOR WILL ALSO BE RESPONSIBLE FOR ELECTRIC UTILITY CONNECTION FEES AND LINE EXTENSION FEES.
31. ELECTRICAL CONNECTIONS TO EQUIPMENT SUBJECT TO VIBRATION WHICH DEVELOPS OBJECTIONABLE NOISES SHALL BE MADE FROM THE CONDUIT SYSTEM WITH SHORT LENGTHS OF FLEXIBLE "LIQUID-TITE" CONDUIT.
32. ALL WIRE TERMINATIONS AND EQUIPMENT TO BE RATED FOR 75° C MINIMUM.
33. ELECTRICAL CONTRACTOR TO MAINTAIN 2' OF SEPARATION ON RECEPTACLES ON OPPOSITE SIDES OF ANY FIRE RATED WALL PER 2017 N.E.C. 300.21.
34. WIRING TO DISCONNECT SWITCH AND DISCONNECT SWITCH SHALL BE FURNISHED BY THE ELECTRICAL CONTRACTOR. WIRING FROM THE DISCONNECT TO THE EQUIPMENT SHALL BE BY THE MECHANICAL CONTRACTOR.

ELECTRICAL LOAD CALCULATIONS

3500 SQUARE FEET VA

NONCONTINUOUS LOADS:

12 RECEPTACLES @ 180 VA EA. 2160 2160
 1ST 10000 0
 REMAINDER @ 50% 0
 TOTAL 2160

CONTINUOUS LOADS:

GENERAL LIGHTING LOAD VA/SQ. FT.
 3500 SQ. FT. 1.5 5250 6563
 5250 X 1.25

AIR HANDLING UNIT 28787
 HEAT PUMP UNITS 20405

EQUIPMENT: 38692

25% OF LARGEST MOTOR 822

GRAND TOTAL 97429

270 AMPS @ 120/208V, 3Ø, 60HZ

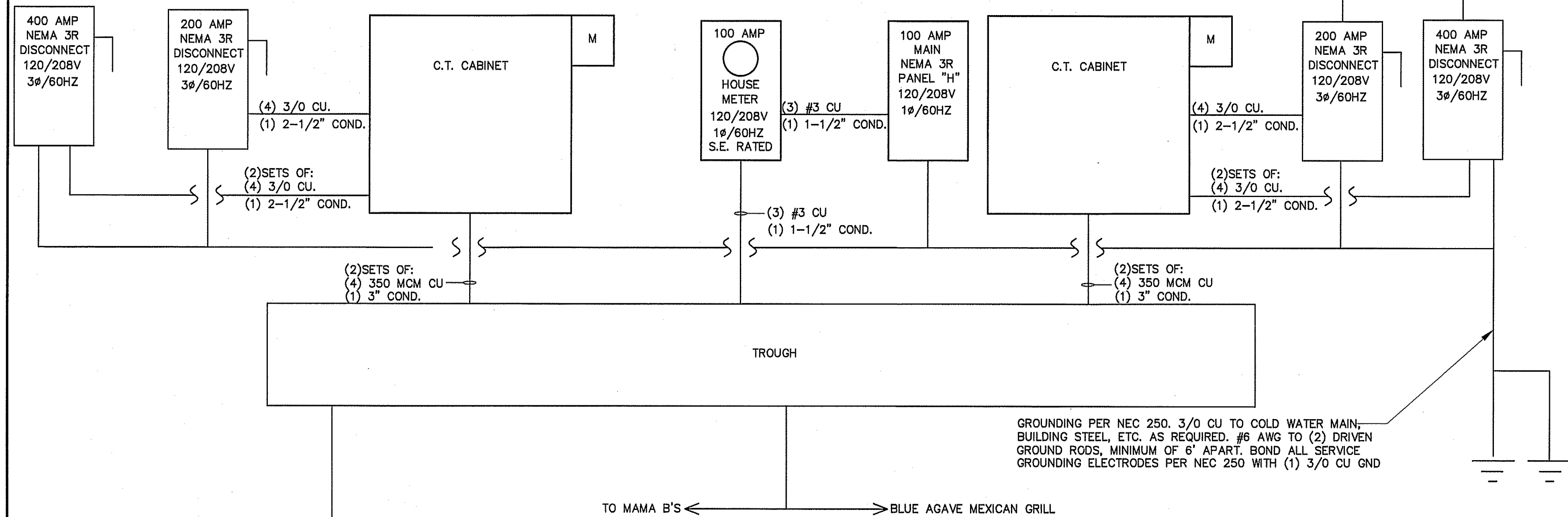
L1	L2	L3	CIRCUIT	POLES	TRIP	ASSIGNMENT	PHASE	ASSIGNMENT	TRIP	POLES	CIRCUIT	L1	L2	L3
4.0	*	*	1	3	20	CEILING FANS	o	CAN & TRACK LIGHTING	20	1	2	4.8	*	*
*	4.0	*	3	1	20	CEILING FANS	o	DINING ROOM 2X4 LIGHTS	20	1	4	*	4.3	*
*	*	4.5	5	1	20	KITCHEN LIGHTS	o	RESTROOM LIGHTS/FANS	20	1	6	*	*	1.5
3.2	*	*	7	1	20	48" WORKTOP FREEZER	o	KITCHEN COOKING AREA LTS.	20	1	8	3.5	*	*
*	5.5	*	9	1	20	REFRIGERATED BACK BAR UNIT	o	BEVERAGE DISPENSER	20	1	10	*	3.5	*
*	*	5.5	11	1	20	REFRIGERATED BACK BAR UNIT	o	ICE MACHINE	20	1	12	*	*	1.1
12.5	*	*	13	1	20	CHIP WARMER	o	COFFEE BREWER	20	1	14	13.9	*	*
*	17.5	*	15	1	20	HEAT LAMP	o	TEA BREWER	20	1	16	*	14.4	*
*	*	17.5	17	1	20	HEAT LAMP	o	1 DOOR REFRIGERATOR	20	1	18	*	*	2.2
6.5	*	*	19	1	20	MEGA TOP SANDWICH UNIT	o	SANDWICH UNIT	20	1	20	3.5	*	*
*	11.5	*	21	1	20	POWER DRIVE UNIT	o	WORK TOP FREEZER	20	1	22	*	3.4	*
*	*	4.4	23	1	20	CHEF BASE	o	CONVECTION OVEN	20	1	24	*	*	7.9
7.5	*	*	25	1	20	AIR CURTAIN	o	SPARE	20	1	26	X	*	*
*	X	*	27	3	20	SPARE	o	SPARE	20	1	28	*	X	*
*	*	5.0	29	1	20	COLD PLATE	o	BUILDING SIGN	20	1	30	*	*	5.0
X	*	*	31	1	20	SPARE	o	ATTIC RECEPTACLES	20	1	32	4.5	*	*
*	X	*	33	1	20	SPARE	o	SPARE	20	1	34	*	X	*
*	*	8.0	35	1	20	DISHWASHER	o	SPARE	20	1	36	*	*	X
4.5	*	*	37	1	20	DINING CONV. RECEPTACLES	o	SPARE	20	1	38	X	*	*
*	X	*	39	1	20	SPARE	o	HOT WATER RECIRC. PUMP	20	1	40	*	5.8	*
*	*	6.0	41	1	20	CONVENIENCE RECEPTACLES	o	WATER HEATER	20	1	42	*	*	2.0

L1 = 68.4 A
 L2 = 64.1 A
 L3 = 64.6 A

PANEL: B SCHEDULE: MANUFACTURER: SQ. D NO. OF SPACES: 42
 VOLTS: 120/208 AMPS: 400 TYPE: "NQOD" MOUNTING: SURFACE
 ENCLOSURE: NEMA 1 Ø: 3 SHORT CIRCUIT RATING: 22K
 MAINS: MLO: TOP FEED: BOTTOM FEED: COPPER BUS: GROUND BAR KIT: NEUTRAL BAR KIT:

L1	L2	L3	CIRCUIT	POLES	TRIP	ASSIGNMENT	PHASE	ASSIGNMENT	TRIP	POLES	CIRCUIT	L1	L2	L3
6.6	*	*	1	3	20	HOOD EXHAUST FAN #1	o	HOOD EXHAUST FAN #2	20	3	2	2.6	*	*
*	6.6	*	3				o					4	*	2.6
*	*	6.6	5				o					6	*	2.6
6.2	*	*	7	3	15	COOLER CONDENSING UNIT	o	HOOD SUPPLY FAN	20	3	8	3.8	*	*
*	6.2	*	9				o					10	*	3.8
*	*	6.2	11				o					12	*	3.8
2.0	*	*	13	1	15	COOLER EVAPORATOR UNIT	o	AIR HANDLING UNIT 1	60	2	14	34.6	*	*
*	5.8	*	15	2	15	FREEZER EVAPORATOR UNIT	o	AIR HANDLING UNIT 2	60	2	18	*	*	34.6
*	*	5.8	17				o					20	34.6	*
8.5	*	*	19	3	15	FREEZER CONDENSING UNIT	o	AIR HANDLING UNIT 3	60	2	22	*	34.6	*
*	8.5	*	21				o					24	*	34.6
*	*	8.5	23				o					26	*	34.6
2.0	*	*	25	1	20	COOLER EVAPORATOR UNIT	o	AIR HANDLING UNIT 4	60	2	26	34.6	*	*
*	28.2	*	27	2	60	HEAT PUMP UNIT 1	o	HEAT PUMP UNIT 2	60	2	30	*	34.6	*
*	*	28.2	29				o					32	28.2	*
22.2	*	*	31	2	45	HEAT PUMP UNIT 3	o	HEAT PUMP UNIT 4	40	2	34	*	19.5	*
*	22.2	*	33				o					36	*	19.5
*	*	10.6	35	2	20	ICE REMOTE CONDENSING UNIT	o	DISHWASHER BOOSTER HEATER	30	3	38	21.0	*	*
10.6	*	*	37				o					40	*	21.0
*	X	*	39	1	20	SPARE	o					42	*	*
*	*	3.0	41	1	20	HVAC CONV. RECEPTACLES	o							21.0

L1 = 217.5 A
 L2 = 228.2 A
 L3 = 213.2 A

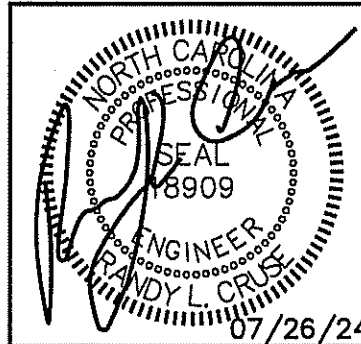


ELECTRICAL RISER DIAGRAM
 NOT TO SCALE

FEEDER SCHEDULE

UNIT	FEEDERS	FUSED DISCONNECT	CONDUIT
AHU-1,2,3,4	(2)#6CU,(1)#8CU GND	60	3/4"
HP-3,4	(2)#10CU,(1)#12CU GND	60	3/4"
HP-1,2	(2)#8CU,(1)#10CU GND	60	3/4"

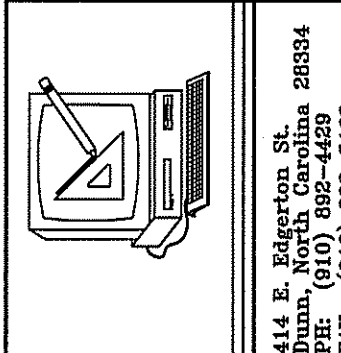
NOTE:
 E.C., OWNER, AND G.C. TO VERIFY ALL EQUIPMENT LOCATIONS,
 SPECIFICATIONS, & REQUIREMENTS BEFORE BEGINNING CONSTRUCTION.



PLANS FOR:
 T&L COATS UP-FIT
 BLUE AGAVE MEXICAN GRILL
 COATS, NORTH CAROLINA

REVISIONS

NO.	



Cruse
 And
 Associates, P.A.
 LICENSE NO.: C-1721

THESE DOCUMENTS ARE INSTRUMENTS OF SERVICE AND AS SUCH THESE DRAWINGS, DESIGNS, AND DESIGN CONCEPTS PRESENTED REMAIN THE PROPERTY OF THE ENGINEER. PUBLISH OR DUPLICATE THE DRAWINGS OR DESIGNS ONLY WITH THE WRITTEN PERMISSION OF THE ENGINEER.
 © COPY RIGHT

DATE 07-26-24
 DRAWN BY BAM
 JOB NO. 24-06

SHEET NO.
 E-3 OF 3