



1000 N. MAIN ST., STE. 201
 FUQUAY VARINA, N.C. 27526
 Ph. 919.346.4630
 NC LICENSE # SP.FA/LV.31726

SCOPE OF WORK

STAR LIFE SAFETY SHALL INSTALL A NEW ADDRESSABLE FIRE ALARM SYSTEM. THE ADDRESSABLE FIRE ALARM SYSTEM WILL HAVE VOICE COMMUNICATION IN THE USE OF HORN/STROBE NOTIFICATION DEVICES. SIGNAL LINE CIRCUITS FOR INITIATING DEVICES WILL ALSO BE INSTALLED. INSTALLATION OF ALL DEVICES SHALL MEET LOCAL AHJ & NFPA REQUIREMENTS.

SYSTEM INFORMATION:

SYSTEM TYPE: SIEMENS ADDRESSABLE FIRE ALARM SYSTEM
 NOTIFICATION CIRCUIT: [4 CLASS "B" CIRCUIT]
 SLC CIRCUIT: [1 CLASS "B" CIRCUIT]

BUILDING INFORMATION:

BUILDING STORIES: [1 STORY BUILDING]
 BUILDING SQUARE FOOTAGE: [22,725 S.F.]

FIRE ALARM LEGEND

SYMBOL	DESCRIPTION	MAN.	MODEL NO.	QTY.
[FA-CP]	FIRE ALARM CONTROL PANEL	SIEMENS	FC922	1
[FA-CP-S]	FIELD CHARGING POWER SUPPLY	SIEMENS	PAD-5-6A	1
[FA-A]	FIRE ALARM REMOTE ANNUNCIATOR	SIEMENS	FT2015-U5	1
[F]	PULL STATION [DUAL ACTION]	SIEMENS	XMS-0	9
[S]	PHOTOELECTRIC SMOKE DETECTOR W/ MOUNTING BASE	SIEMENS	OP921 W/DB-11	4
[H]	HORN/STROBE [CEILING MOUNTED] [RED] [FIRE] SEE FLOOR PLAN FOR CANDELA RATING	SIEMENS	SLHSCR-F	32
[S]	STROBE [CEILING MOUNTED] [RED] [FIRE] SEE FLOOR PLAN FOR CANDELA RATING	SIEMENS	SL2SCR-F	13
[SP]	SURGE PROTECTOR [120V] [FOR USE WITH PRIMARY/SECONDARY CONTROLS]	DITEK	DTK-120SRD	2
[EOL]	END OF LINE RESISTOR	F.B.O.	F.B.O.	---
F.B.O.	FURNISHED BY OTHERS	---	---	---

REVISION LEGEND

PAGE #	DESCRIPTION
FA-001	FIRE ALARM SCOPE OF WORK, LEGEND, MATRIX & RISER DIAGRAM
FA-002	FIRE ALARM FLOOR PLAN
FA-003	FIRE ALARM DEVICE WIRING DETAILS
FA-004	FIRE ALARM CONTROL PANEL WIRING DIAGRAM

REVISION LEGEND

SYMBOL	DESCRIPTION
[R]	NOTIFICATION DEVICE HAS BEEN REMOVED FROM PLANS
[R]	SMOKE DETECTOR HAS BEEN RELOCATED ON FLOOR PLAN

FIRE ALARM NOTES

FACP & ANNUNCIATOR INFORMATION

- THE FIRE ALARM SYSTEM SHALL BE A NEW ADDRESSABLE SYSTEM.
- THE FIRE ALARM CONTROL PANEL (FACP) SHALL BE LOCATED IN THE BACK OF TRUCK BAY AREA.
- ALL ALARMS SHALL BE TRANSMITTED BY A UL LISTED COMMUNICATOR TO UL LISTED CENTRAL STATION.
- REMOTE ANNUNCIATOR SHALL BE READABLE AND VISIBLE FROM OUTSIDE THE BUILDING AND LOCATED AT THE MAIN ENTRANCE.

SPRINKLER INFORMATION

- ENTIRE BUILDING SHALL BE PROTECTED BY A SPRINKLER SYSTEM.
- SPRINKLER SYSTEM SHALL BE MONITORED VIA WATERFLOW & TAMPER SWITCH.

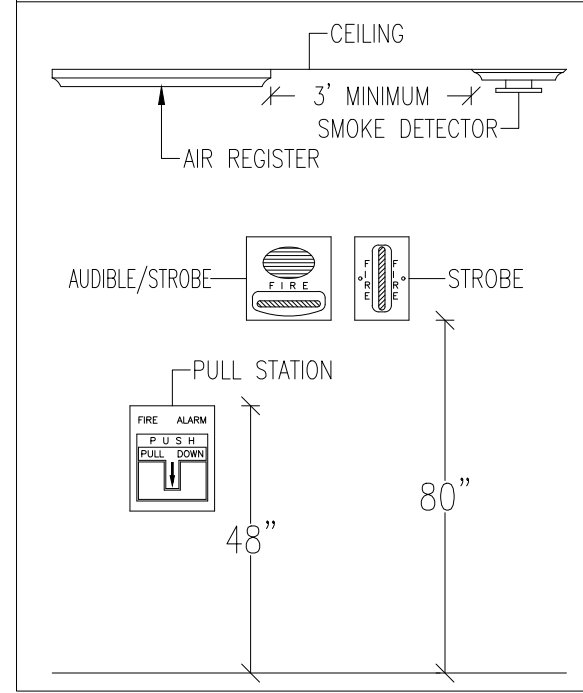
INITIATING DEVICES

- ALL EQUIPMENT SHALL BE INSTALLED IN COMPLIANCE WITH ALL LISTED DISTANCES, LOCAL ORDINANCES AND NFPA-72 RECOMMENDATIONS.
- ALL MANUAL PULL STATIONS SHALL BE MOUNTED 48-INCHES FROM FINISHED FLOOR TO THE TOP OF THE DEVICE.

NOTIFICATION DEVICES

- ALL AUDIBLE/STROBE DEVICES SHALL HAVE A TEMPORAL-3 CODE.
- ALL STROBE DEVICES SHALL REMAIN ACTIVE AFTER SILENCE FUNCTION OCCURS.
- ALL AUDIBLE/STROBE AND STROBE DEVICES SHALL BE MOUNTED 80-INCHES FROM THE FINISHED FLOOR TO THE BOTTOM OF THE DEVICE.

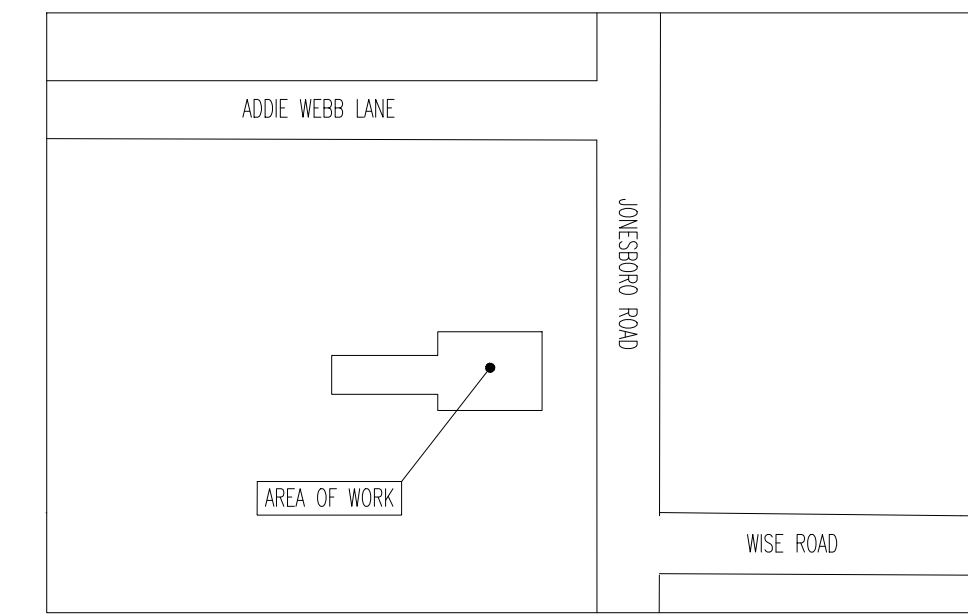
TYPICAL DEVICE LOCATIONS



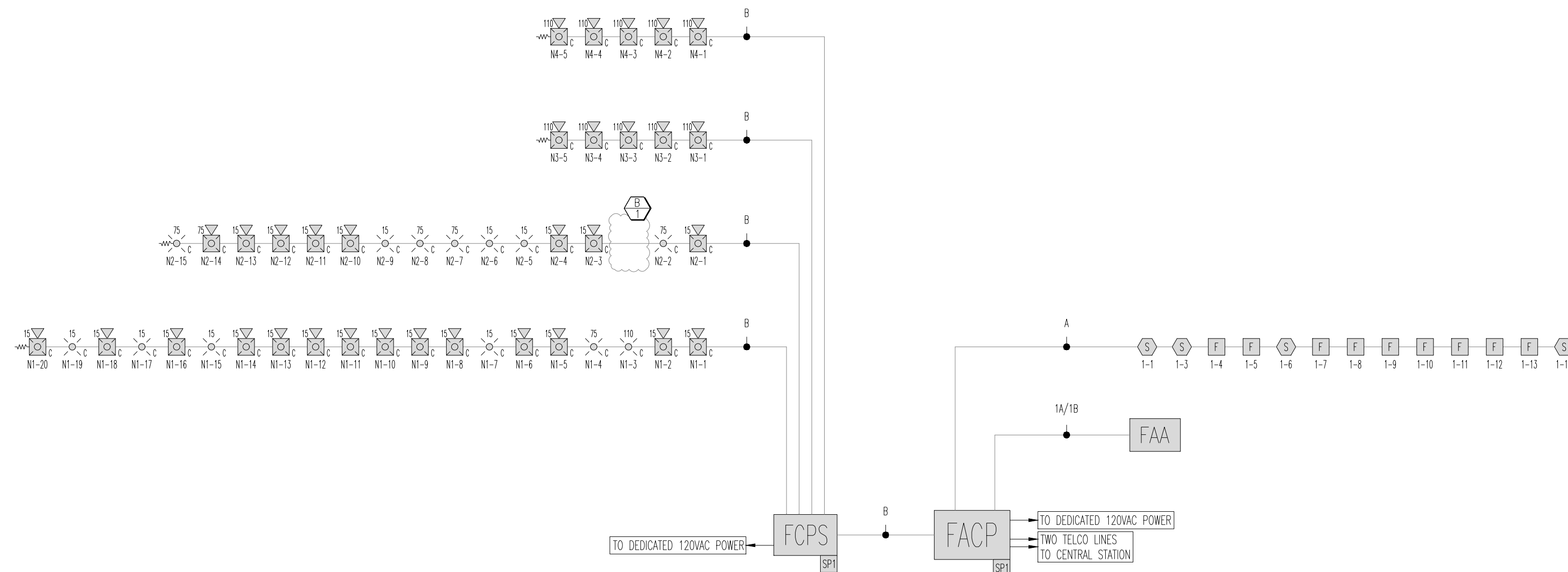
WIRE LEGEND

SYMBOL	WIRE DESCRIPTION	TYPE
A	16-2 TWISTED / NON-SHELDDED	FPLP
B	14-2 NON-SHELDDED	FPLP
C	12-2 NON-SHELDDED	FPLP
D	16-2 TWISTED / SHELDDED	FPLP

FIRE ALARM SYSTEM MATRIX	BUILDING SYSTEM OUTPUTS												CENTRAL COMM				
MANUAL FIRE ALARM PULL BOXES	X	X	X	X	X	X	X	X	X	X	X	X	X	X	X	X	X
BUILDING SMOKE DETECTOR	X	X	X	X	X	X	X	X	X	X	X	X	X	X	X	X	X
DUCT SMOKE DETECTOR	X	X	X	X	X	X	X	X	X	X	X	X	X	X	X	X	X
SPRINKLER WATER FLOW	X	X	X	X	X	X	X	X	X	X	X	X	X	X	X	X	X
SPRINKLER TAMPER	X	X	X	X	X	X	X	X	X	X	X	X	X	X	X	X	X
ELEV. EQ. ROOM SMOKE DETECTOR	X	X	X	X	X	X	X	X	X	X	X	X	X	X	X	X	X
ELEV. EQ. ROOM HEAT DETECTOR	X	X	X	X	X	X	X	X	X	X	X	X	X	X	X	X	X
ELEV. SHAFT HEAT DETECTORS	X	X	X	X	X	X	X	X	X	X	X	X	X	X	X	X	X
1ST FLOOR ELEV. LOBBY SMOKE DETECTOR	X	X	X	X	X	X	X	X	X	X	X	X	X	X	X	X	X
UPPER FLOOR ELEV. LOBBY SMOKE DETECTOR	X	X	X	X	X	X	X	X	X	X	X	X	X	X	X	X	X
FLOOD SUPPRESSION SYSTEM	X	X	X	X	X	X	X	X	X	X	X	X	X	X	X	X	X
NOTIFICATION APPLIANCE CIRCUIT SHORT	X	X	X	X	X	X	X	X	X	X	X	X	X	X	X	X	X
OPEN CIRCUIT	X	X	X	X	X	X	X	X	X	X	X	X	X	X	X	X	X
GROUND FAULT	X	X	X	X	X	X	X	X	X	X	X	X	X	X	X	X	X
FIRE ALARM AC POWER FAILURE	X	X	X	X	X	X	X	X	X	X	X	X	X	X	X	X	X
FIRE ALARM SYSTEM LOW BATTERY	X	X	X	X	X	X	X	X	X	X	X	X	X	X	X	X	X



SITE PLAN
SCALE: N.T.S.



RISER DIAGRAM
FIRE ALARM SYSTEM SCALE: N.T.S.

DATE	DESCRIPTION	REVISION
01.20.2025	AMENDED PLANS	B
11.25.2024	ORIGINAL RELEASE	A

PROJECT: DUNN OPERATIONS CENTER – OPERATIONS BUILDING
 1269 JONESBORO RD
 HARNETT COUNTY
 N.C. 28334

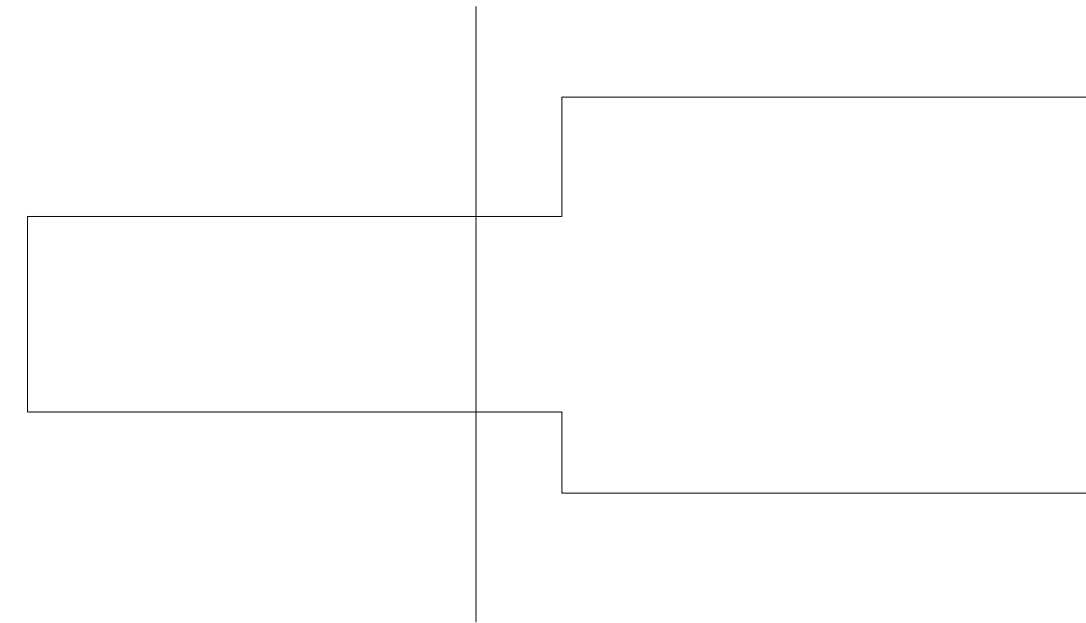
FLOOR NUMBER: OPERATIONS BUILDING

DRAWING TITLE: FIRE ALARM NOTES, LEGEND & RISER DIAGRAM

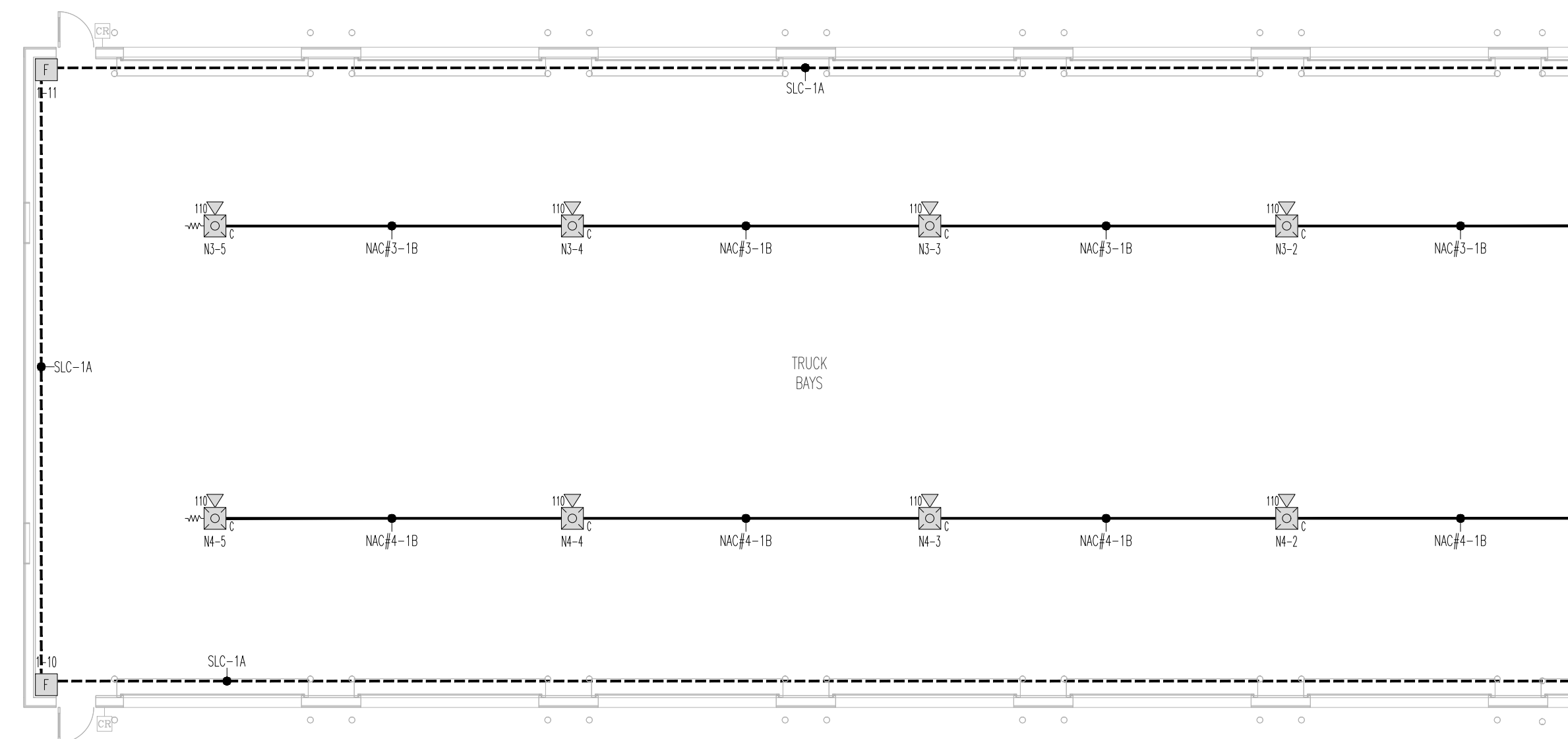
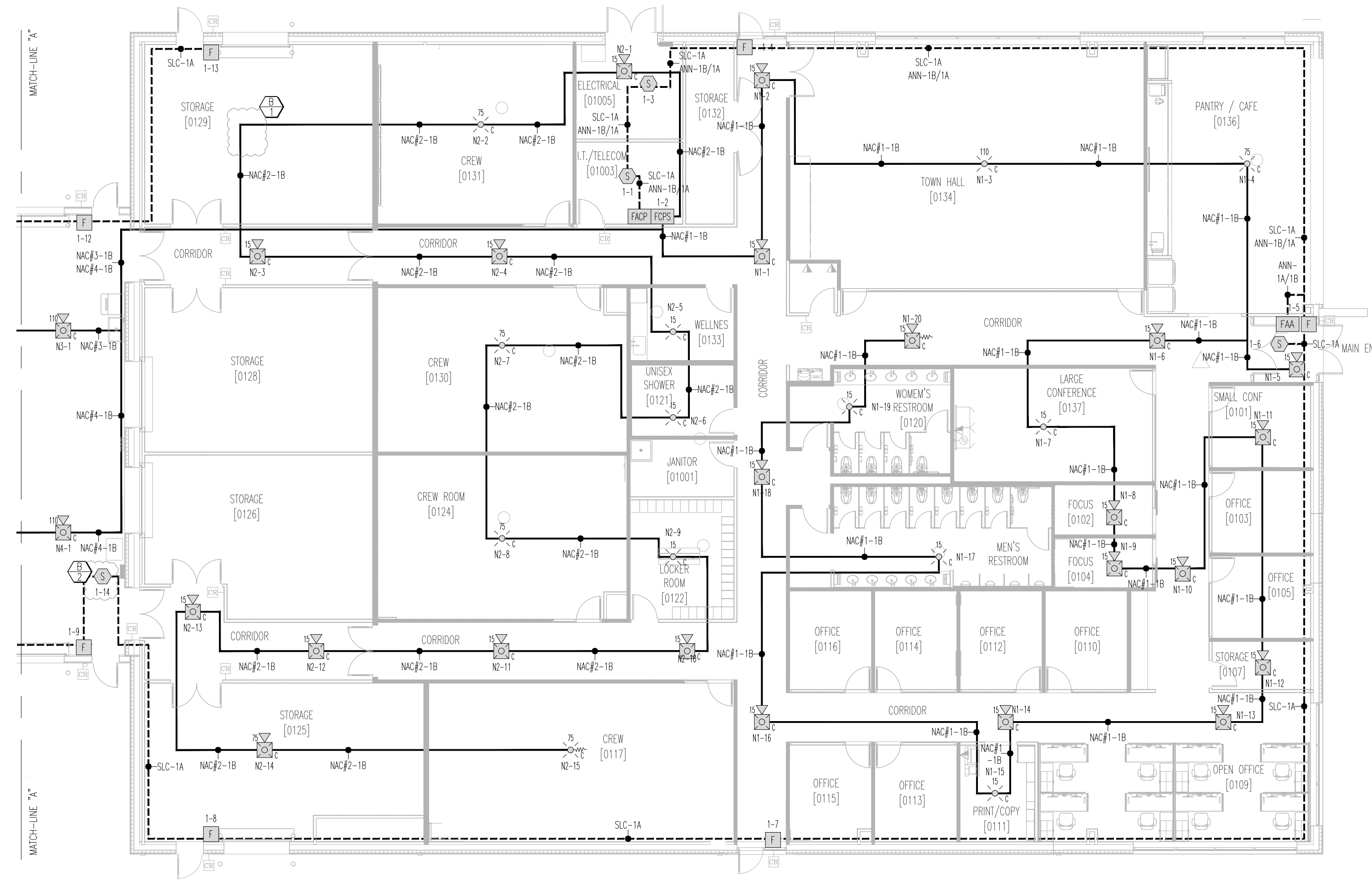
SEAL & SIGNATURE:

SHEET #: 1 OF 4
 DRAWN BY: M.H.
 CHECKED BY: M.H.
 WO#:
 SCALE: AS NOTED
 CONTACT:
 DRAWING NO:

FA-001



FLOOR PLAN MATCHLINE
SCALE: N.T.S.



DATE	DESCRIPTION	REVISION
01.20.2025	AMENDED PLANS	B
11.25.2024	ORIGINAL RELEASE	A

PROJECT: DUNN OPERATIONS CENTER – OPERATIONS BUILDING
1269 JONESBORO RD
HARNETT COUNTY
N.C. 28334

FLOOR NUMBER: OPERATIONS BUILDING

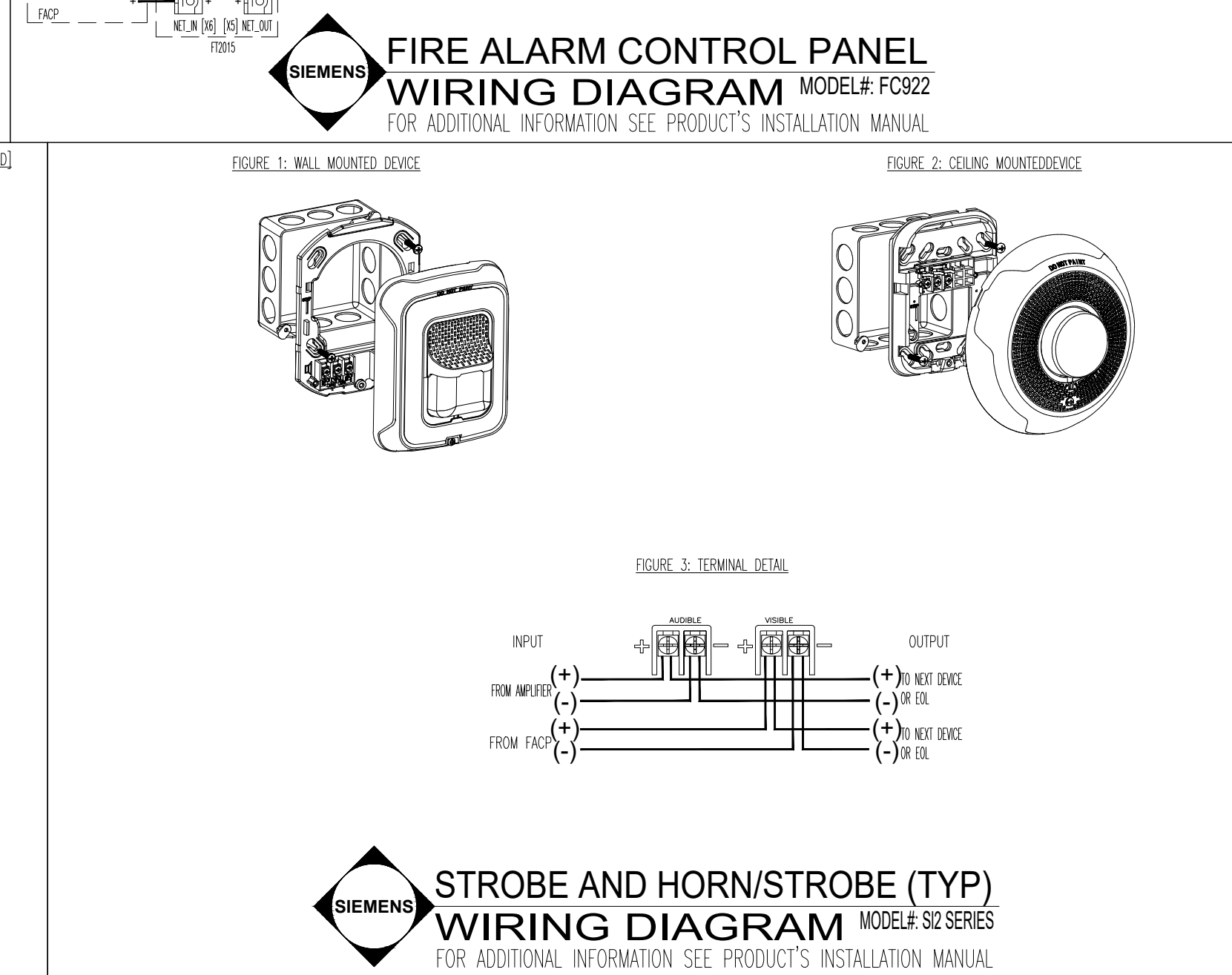
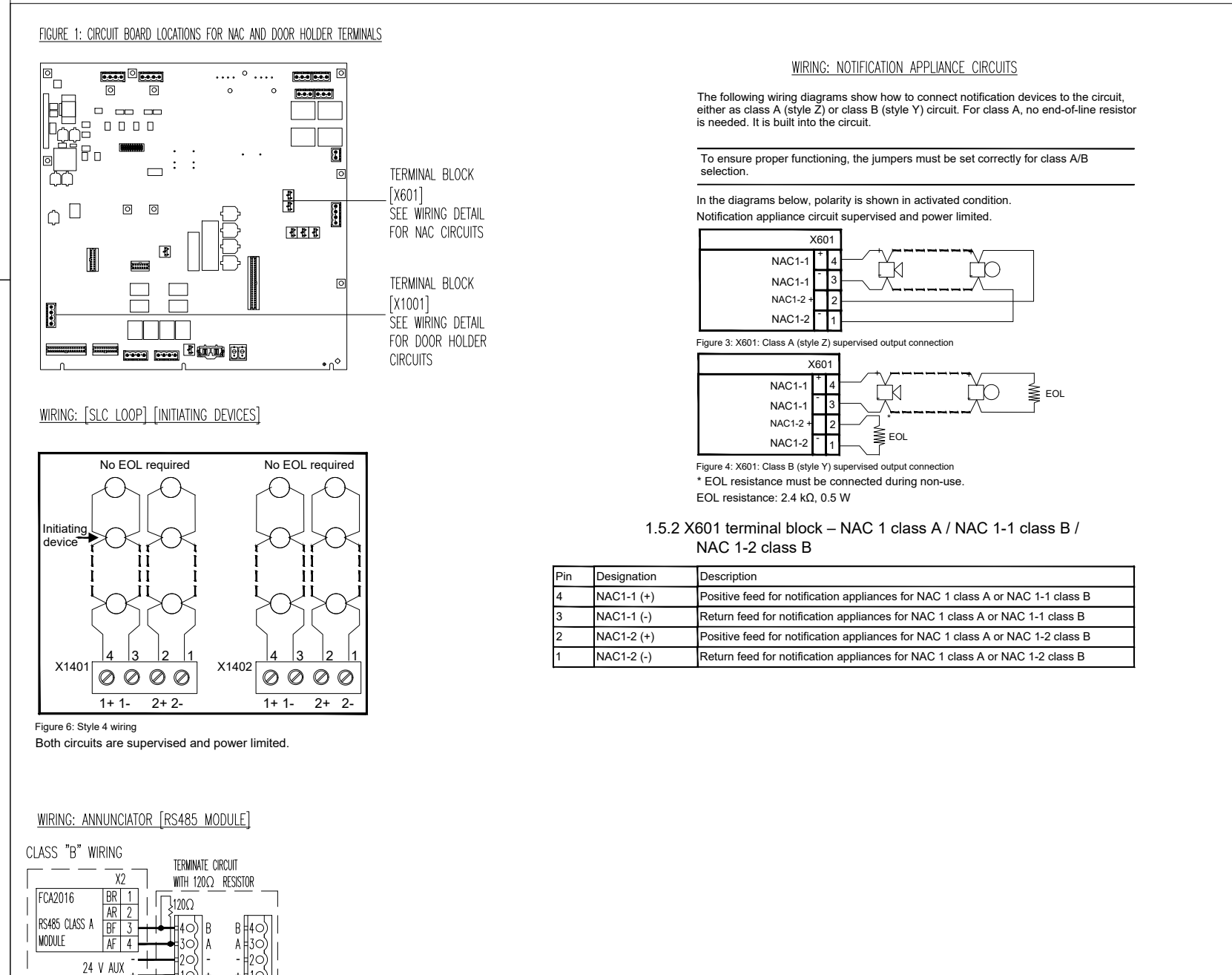
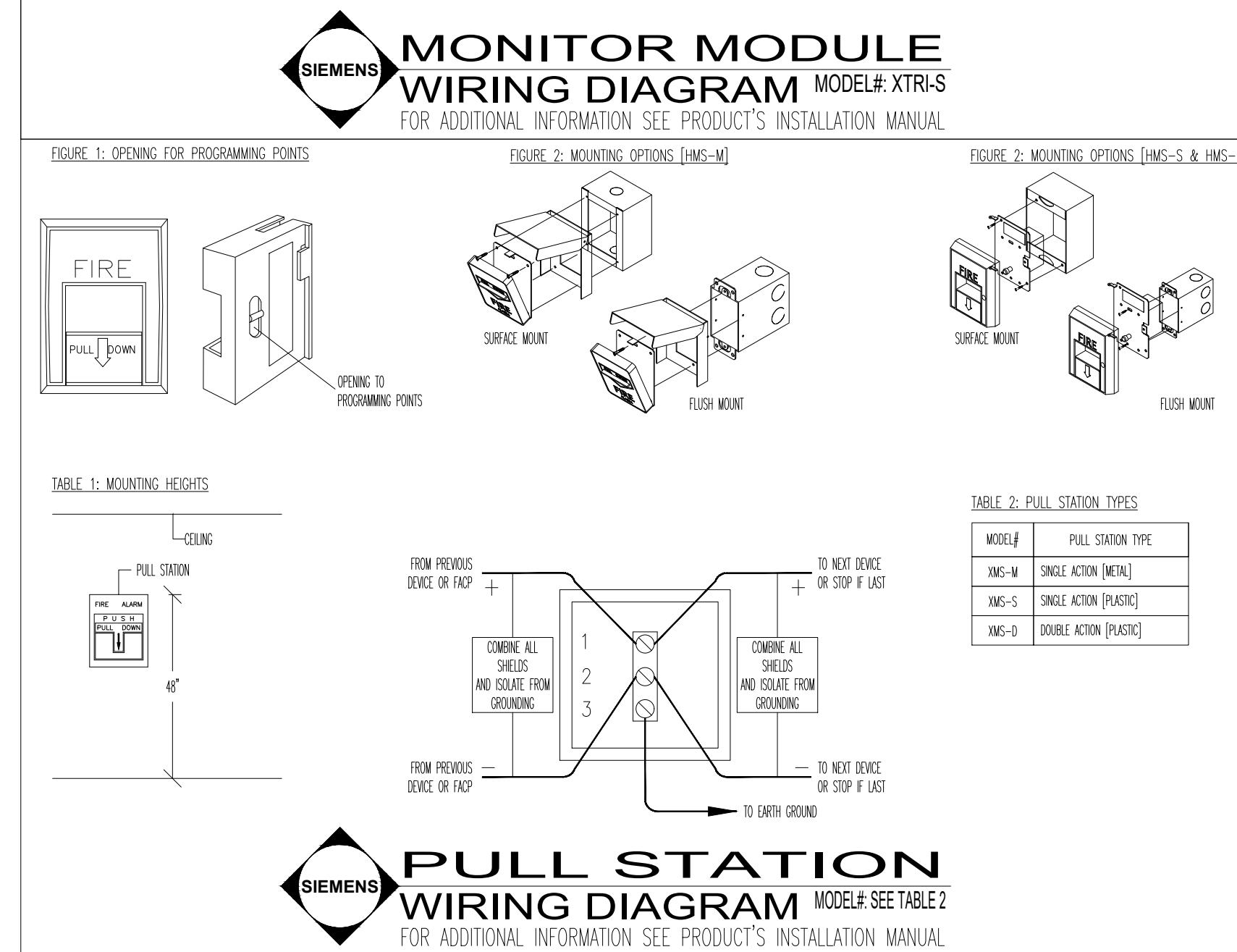
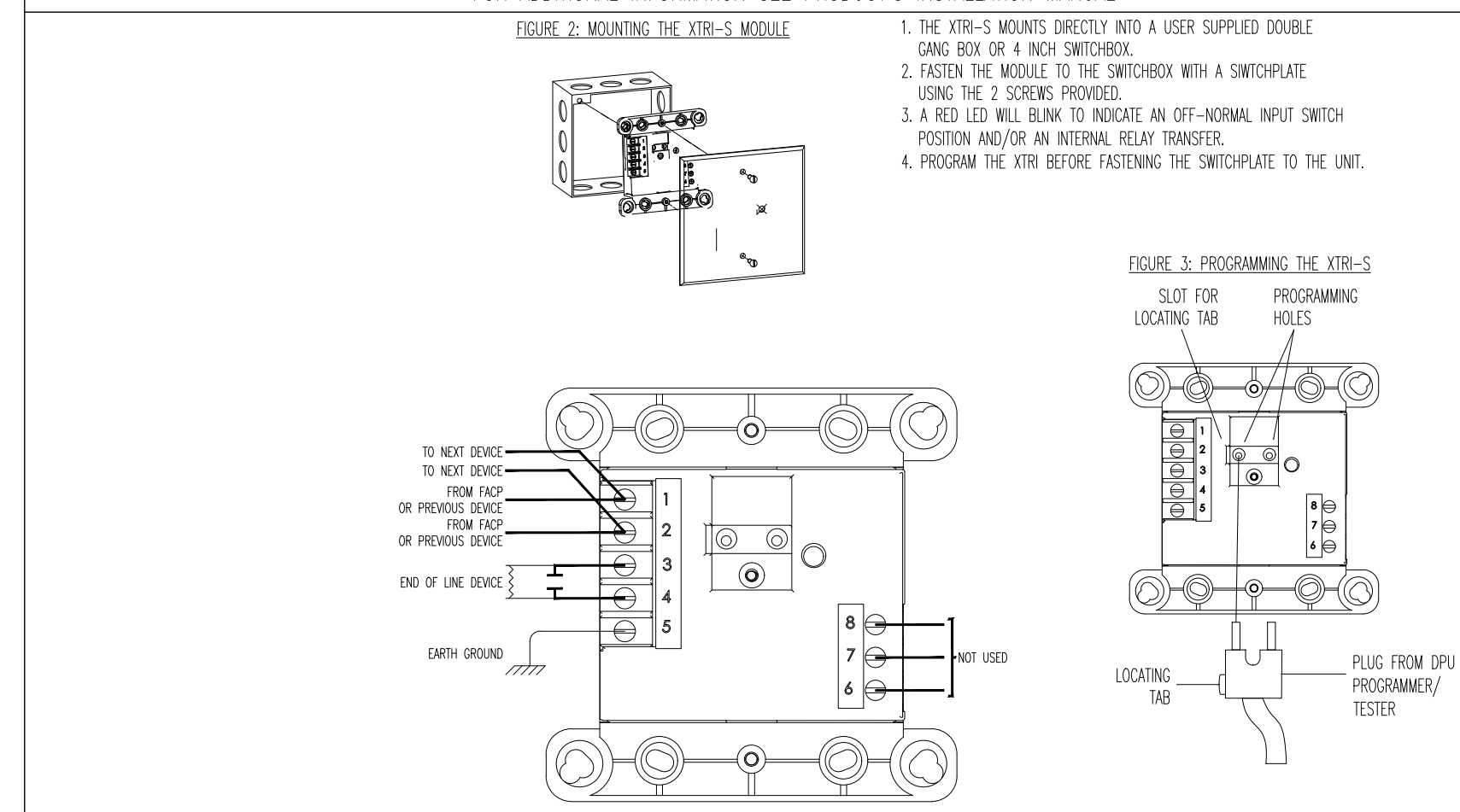
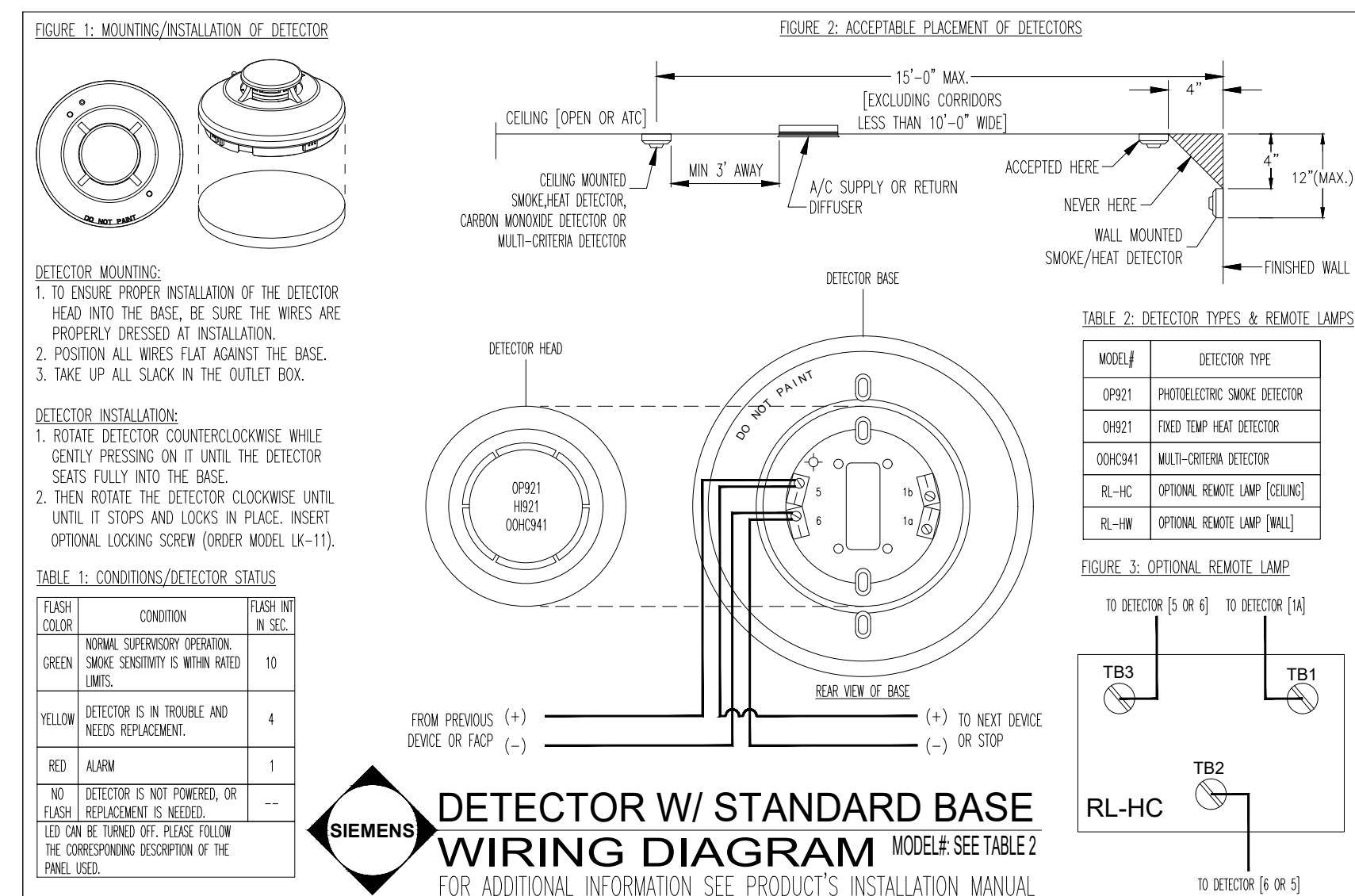
DRAWING TITLE: FIRE ALARM FLOOR PLAN
GROUND FLOOR

SEAL & SIGNATURE:	SHEET #:	2 OF 4
	DRAWN BY:	M.H.
	CHECKED BY:	M.H.
	WO#:	
	SCALE:	AS NOTED
	CONTACT:	
	DRAWING NO.:	

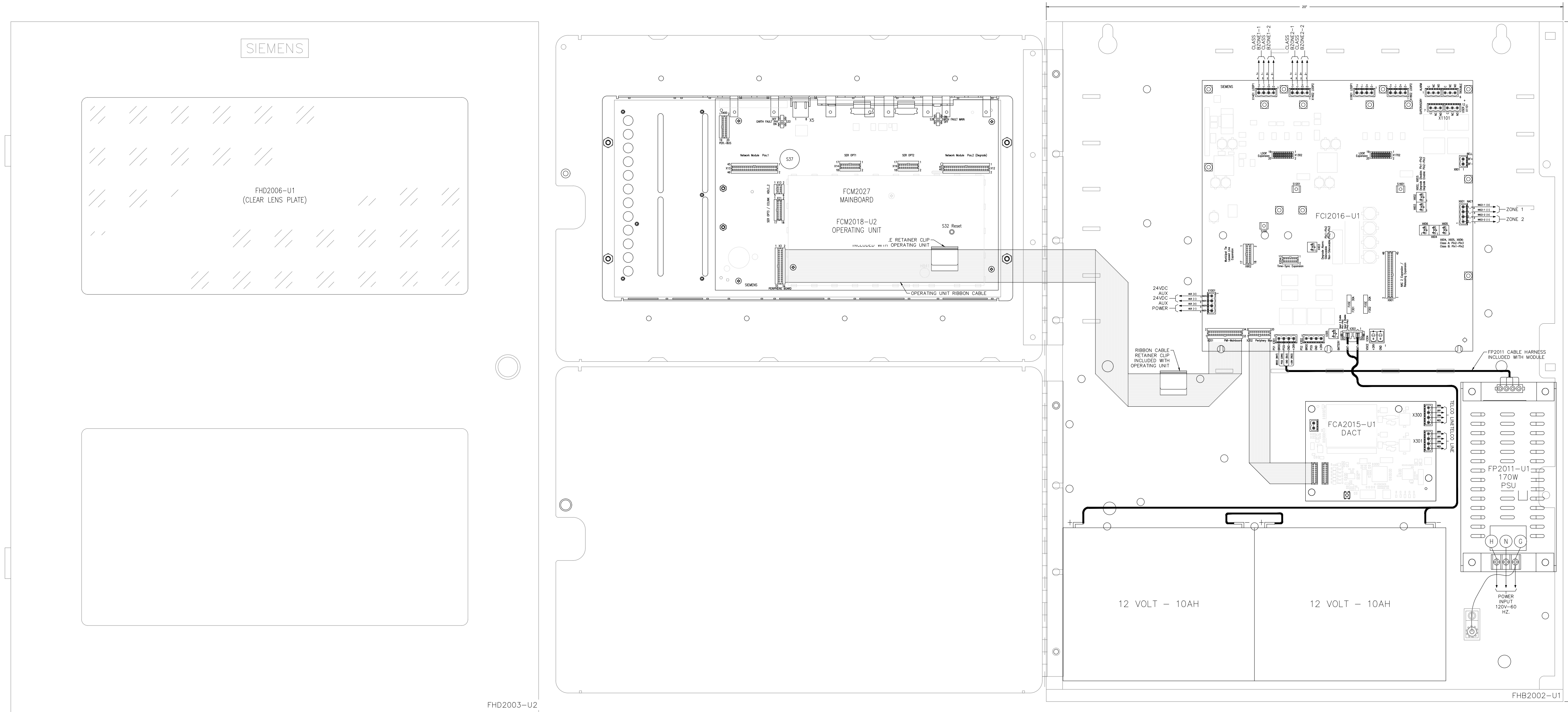
FA-002

GROUND FLOOR
FIRE ALARM FLOOR PLAN SCALE: 3/32"=1'-0"

1000 N. MAIN ST., STE. 201
FUQUAY VARINA, N.C. 27526
Ph. 919.346.4630
NC LICENSE #: SP.FA/LV.31726



01.20.2025	AMENDED PLANS	B
11.25.2024	ORIGINAL RELEASE	A
DATE	DESCRIPTION	REVISION
PROJECT:	DUNN OPERATIONS CENTER - OPERATIONS BUILDING 1269 JONESBORO RD HARNETT COUNTY N.C. 28334	
FLOOR NUMBER:	OPERATIONS BUILDING	
DRAWING TITLE:	WIRING DETAILS FIRE ALARM DEVICES	
SEAL & SIGNATURE:	SHEET #:	3 OF 4
	DRAWN BY:	M.H.
	CHECKED BY:	M.H.
	WO#:	
	SCALE:	AS NOTED
	CONTACT:	
	DRAWING NO.:	FA-003



DATE	DESCRIPTION	REVISION
01.20.2025	AMENDED PLANS	B
11.25.2024	ORIGINAL RELEASE	A

PROJECT: DUNN OPERATIONS CENTER – OPERATIONS BUILDING
1269 JONESBORO RD
HARNETT COUNTY
N.C. 28334

FLOOR NUMBER: OPERATIONS BUILDING

DRAWING TITLE: PANEL WIRING DETAIL

SEAL & SIGNATURE:	SHEET #:	4 OF 4
	DRAWN BY:	M.H.
	CHECKED BY:	M.H.
	WO#:	
	SCALE:	AS NOTED
	CONTACT:	
	DRAWING NO:	FA-004