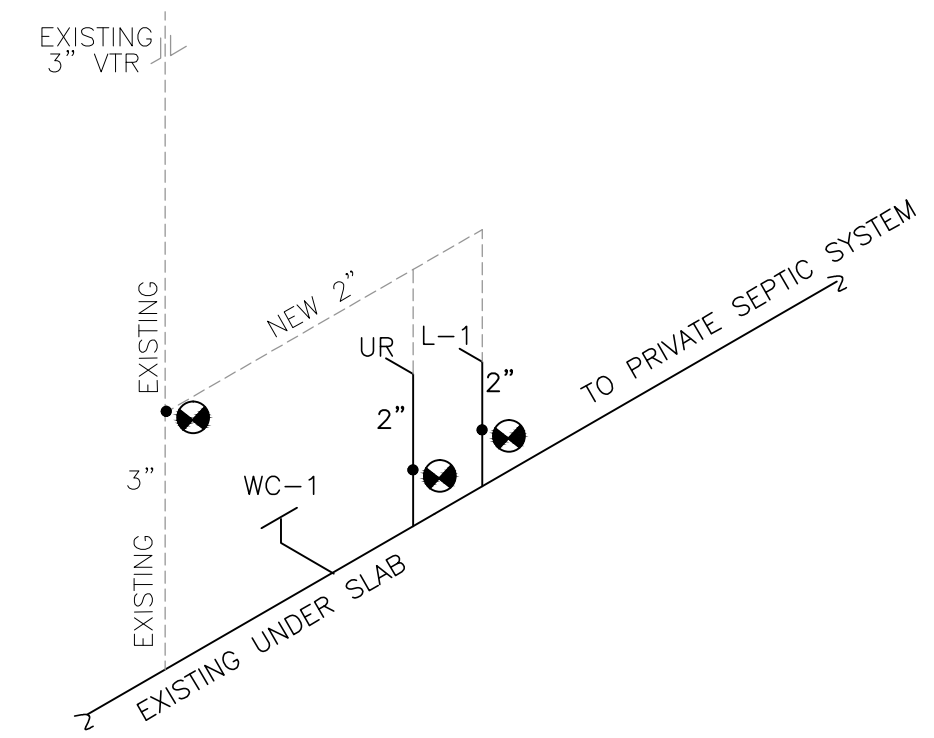
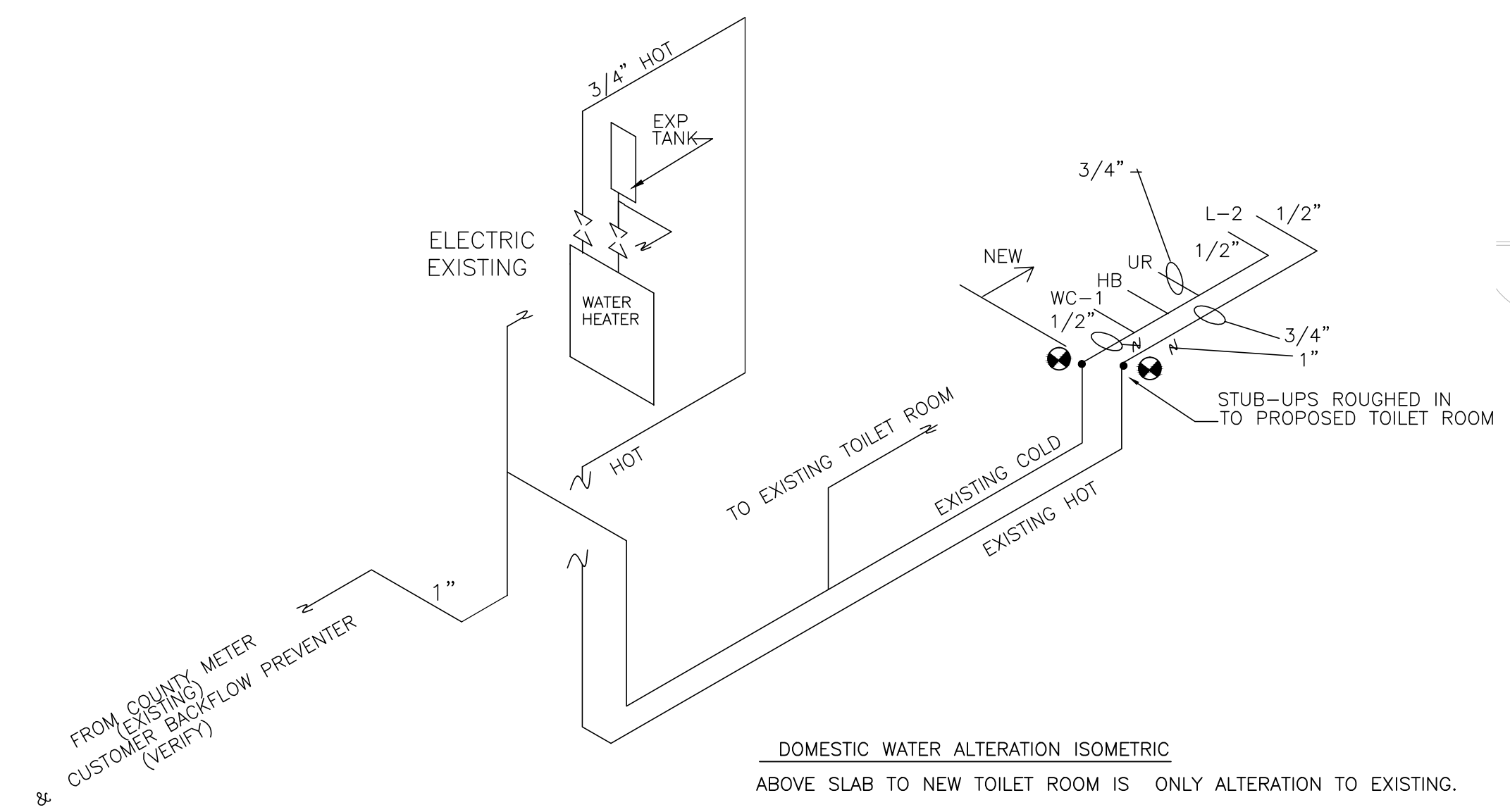


PLUMBING PLAN EXISTING
 SCALE: 1/8" = 1 FT.
 LOCATION OF UNDER SLAB PIPING IS APPROXIMATE

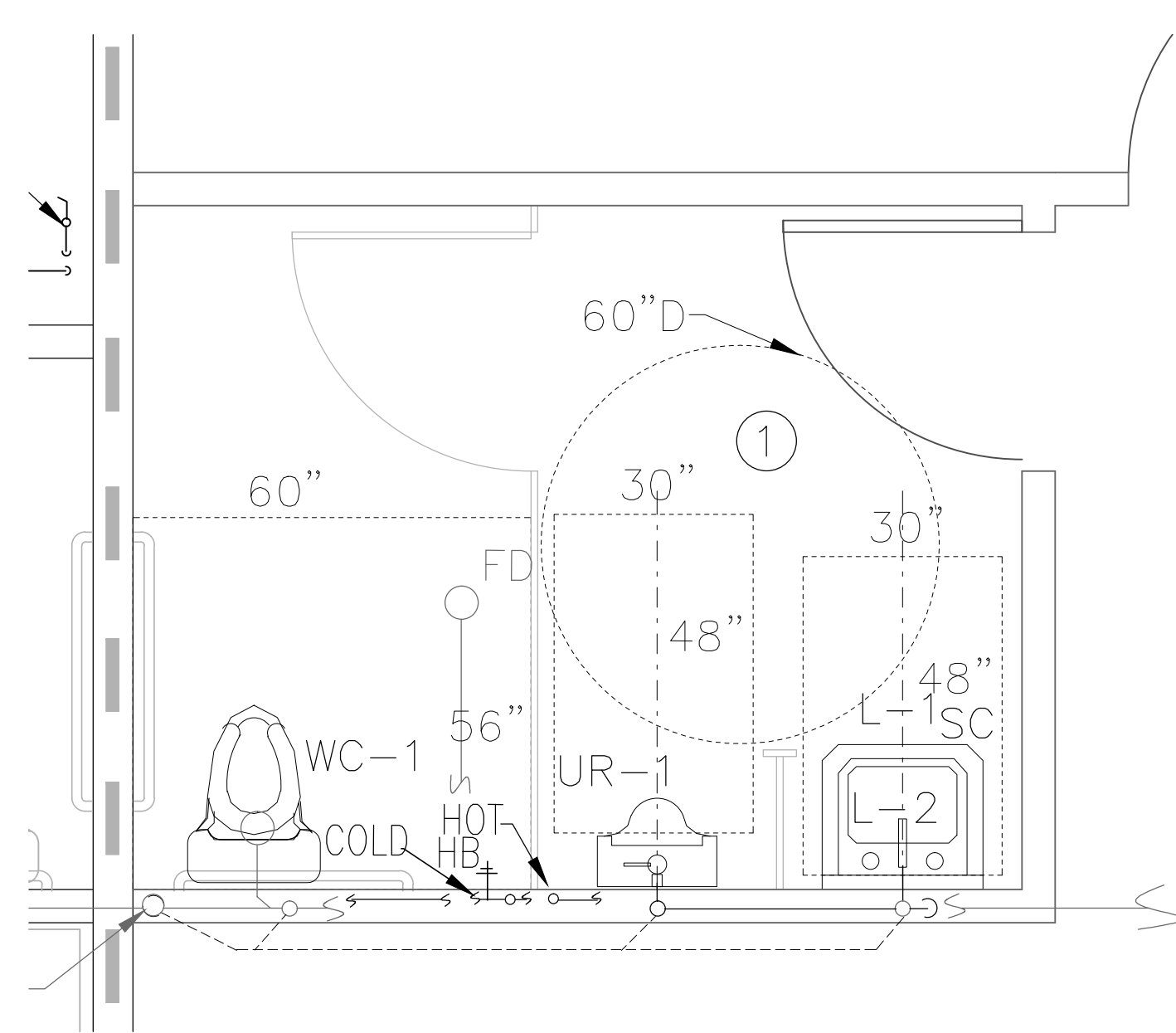
WALL LEGEND
 [Symbol] EXISTING WALL, UL U419; TWO HOUR RATED
 [Symbol] EXISTING UNRATED PARTITION WALL (NOT ON BLD. PERIMETER). 3 5/8" METAL STUD, 16" OC; ONE LAYER 5/8" DRYWALL EACH SIDE



SANITARY DRAINAGE & VENT ALTERATION ISOMETRIC
 ABOVE SLAB PIPING FOR THREE NEW FIXTURES IS ONLY WORK.



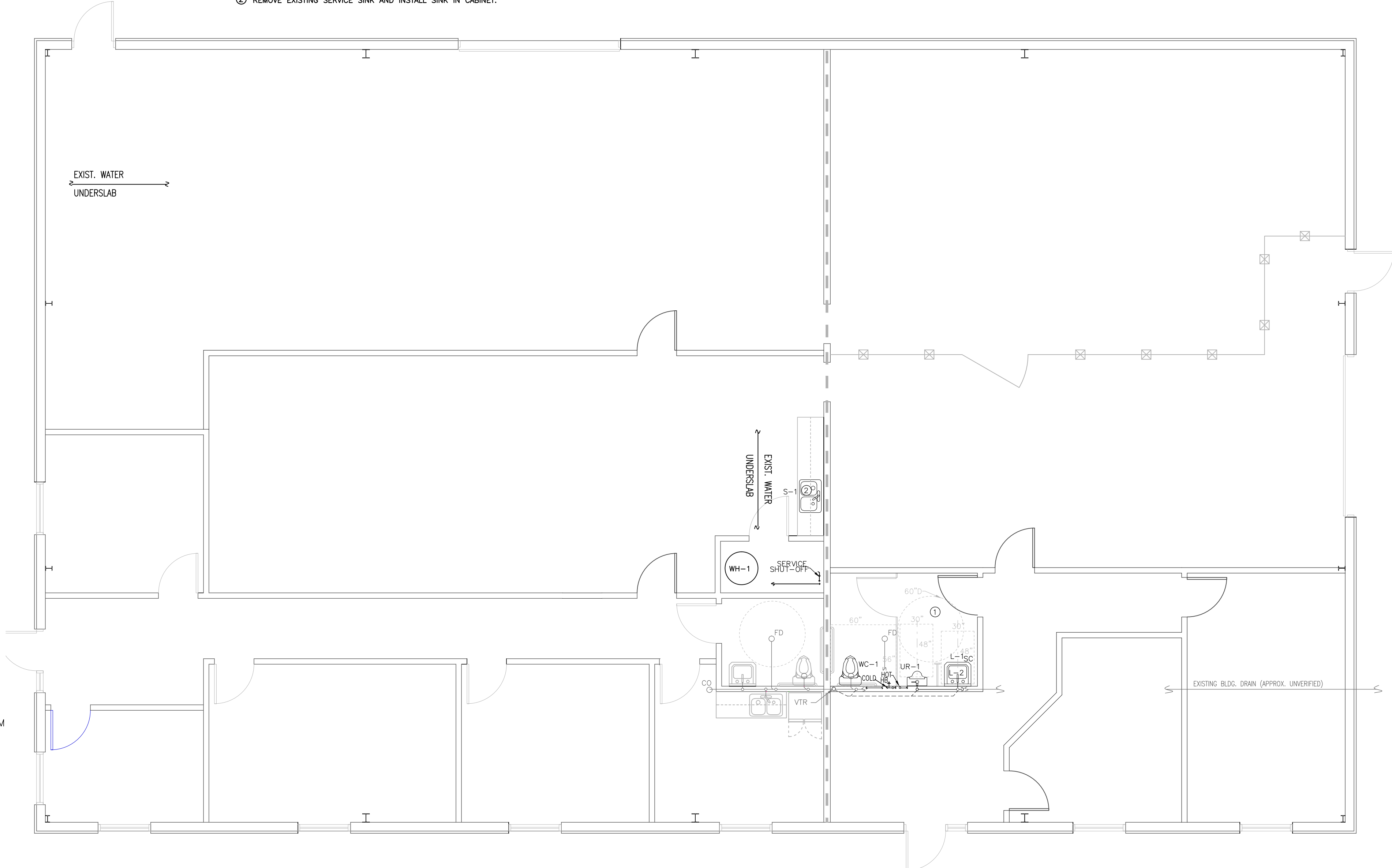
DOMESTIC WATER ALTERATION ISOMETRIC
 ABOVE SLAB TO NEW TOILET ROOM IS ONLY ALTERATION TO EXISTING.



ENLARGED TOILET PLAN
 SCALE: 1/2" = 1 FT.

- PLUMBING KEY NOTES**
- INSTALL WATER AND DRAIN PIPING FOR NEW TOILET ROOM. INSTALL NEW THREE NEW FIXTURES THERE.
 - REMOVE EXISTING SERVICE SINK AND INSTALL SINK IN CABINET.

- PLUMBING NOTES**
- GENERAL**
- LOCATION AND DEPTHS OF EXISTING PIPING SHOULD BE INVESTIGATED AND VERIFIED BY CONTRACTOR.
 - WATER PIPING ABOVE SLAB TO BE PEX OR COPPER.
 - ALL WATER BRANCH LINES SHALL BE PROVIDED WITH BALL VALVE AT HEADER TO ALLOW ISOLATION.
 - PLUMBING SYSTEM SHALL BE IN ACCORDANCE WITH NC PLUMBING CODE.
 - ALL WASTE AND VENT PIPING ABOVE SLAB SHALL BE ASTM D-2665 OR ASTM F891 PVC.
 - ALL WASTE AND VENT PIPING BELOW SLAB SHALL BE ASTM D-2665 PVC.
 - INSTALL SHOCK ABSORBERS IN WATER LINES TO PER NC PLUMBING CODE. SEE SHOCK ABSORBER DETAIL THIS SHEET.
 - REFER TO BUILDING DRAWINGS FOR ADA DIMENSIONS AT PLUMBING FIXTURES.
 - PLUMBING CONTRACTOR SHALL CONTACT NC ONECALL 411 CABLE LOCATORS PRIOR TO DIGGING OUTSIDE PER NC LAW.



PLUMBING PLAN PROPOSED
 SCALE: 3/16" = 1 FT.

PLUMBING SYMBOLS/ ABBREVIATIONS

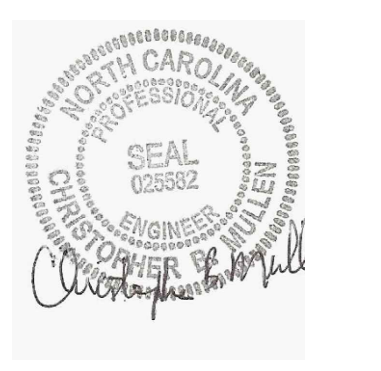
AFF	ABOVE FINISHED FLOOR	CW	COLD WATER
BOP	BOTTOM OF PIPE	HW	HOT WATER
⊙	TIE-IN TO EXISTING	---	VENT PIPING
•	POINT OF CONNECTION	HD	HUB DRAIN
—	DRAINAGE PIPING	FC	FLOW CONTROL
FS	FLOOR SINK	TOC	TOP OF CONCRETE
GB	GYP-SUM BOARD	SG	SPASH GUARD, STAINLESS STEEL
AV		FRP	FIBERGLASS REINFORCED POLYESTER AS ON KITCHEN WALLS

ACCESSORY SCHEDULE

SYMBOL	DESCRIPTION
HB	HOSE BIBB NIBCO ANGLED SILLCOCK, W/ MALE HOSE THREAD OR EQUAL W/ VACUUM BREAKER
SC	SOFT COVERS FOR UNDERSINK DRAINS & SUPPLIES. HANDY-SHIELDMAXX BY PLUMBEREX OR EQUAL

PLUMBING FIXTURES (NEW)

URINAL- "UR"	AMERICAN STANDARD WASHBROOK 6590,001 OR SIMILAR 1.0 GAL./FLUSH; MANUAL OPERATED TOP SPUD, WASH-OUT FLUSH; ADA COMPLIANT, WHITE
LAVATORY- "L-1"	WALL MOUNT; 4" CENTERS; VITREOUS CHINA, WHITE, ADA COMPLIANT MATCH LAVATORY EXISTING IN BUILDING.
LAVATORY FAUCET- "L-2"	ADA COMPLIANT; TWO LEVER HANDLES; .5 GPM MAX. MATCH FAUCET EXISTING IN BUILDING.
WATER CLOSET- "WC"	TWO PIECE, 1.6 GPM MAXIMUM; ADA COMPLIANT; WHITE MATCH TOILET EXISTING IN BUILDING. FLUSH HANDLE ON SIDE OPPOSITE GRAB BAR.
SINK- "S-1"	STAINLESS STEEL SINGLE COMPARTMENT SINK WITH THREE FAUCET HOLES AND CENTER DRAIN IF PARALLEL APPROACH WITH NO KNEESPACE. ELKAY LR2222 OR EQUAL. FAUCET ELKAYBTD02BL2 OR EQUAL, WITH TWO LEVER HANDLES; ADA COMPLIANT



DAWSON'S ELECTRIC ALTERATION
 280 JARCO DRIVE
 FUQUAY-VARINA, NC

DRAWN BY: CBM
 PLOT DATE: 4-16-2024
 ISSUED FOR: CONSTRUCTION
 REVISIONS: