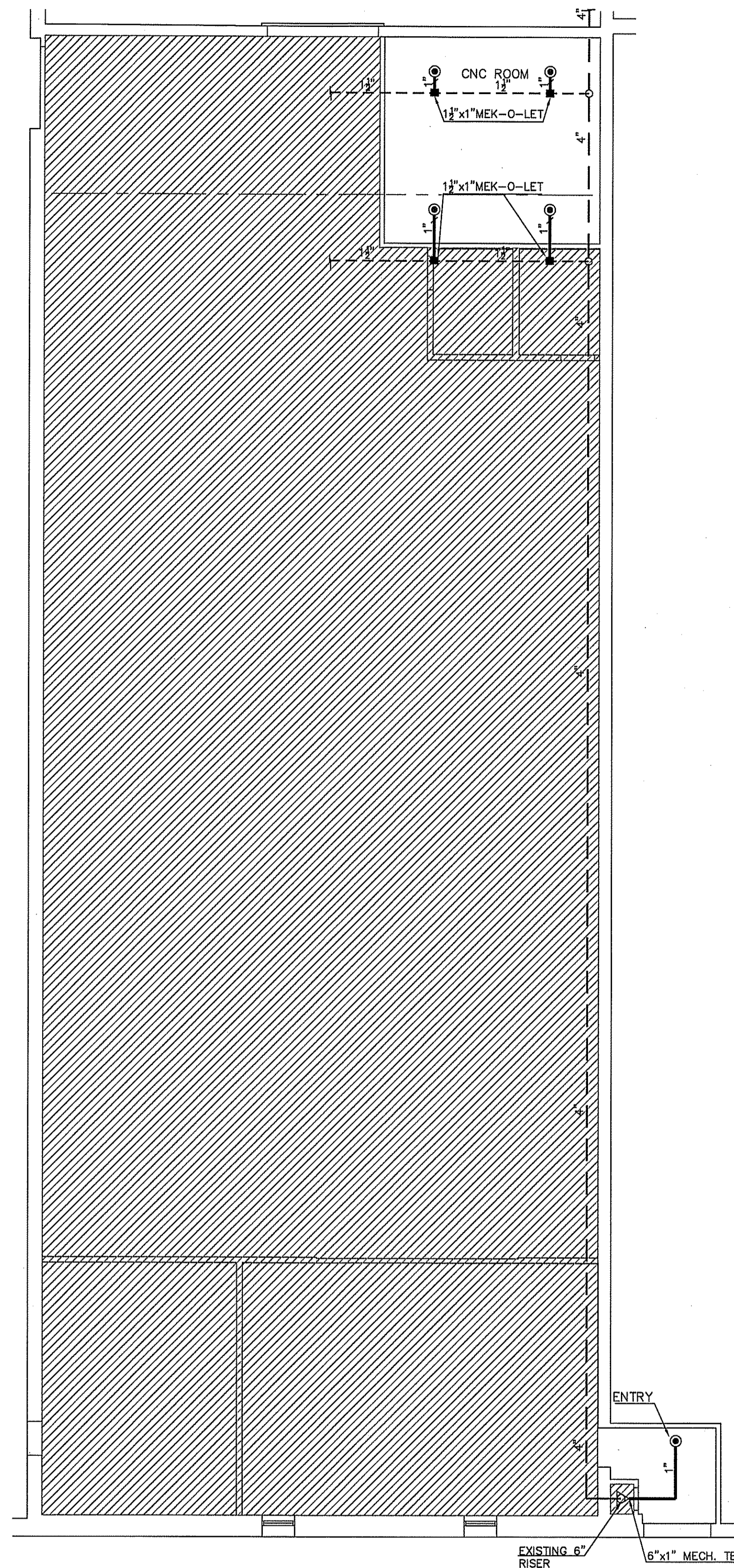
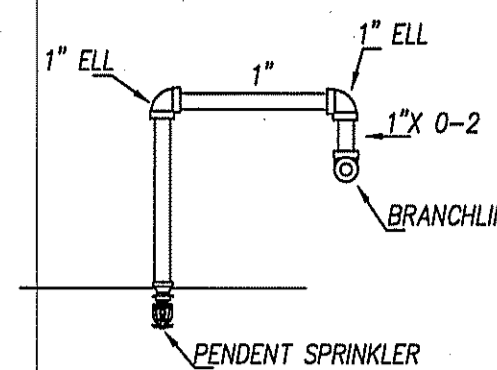
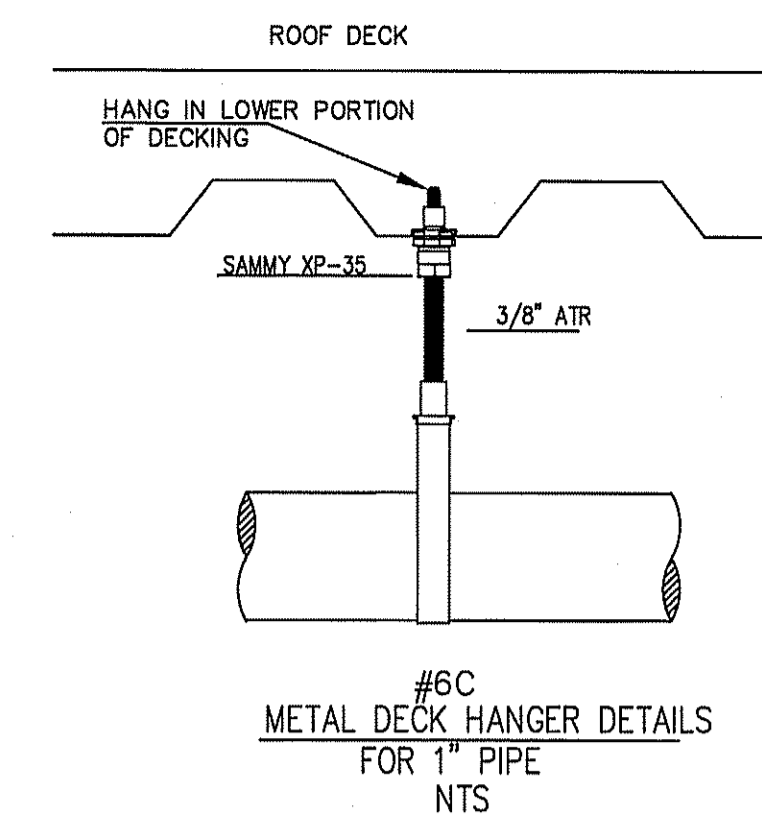
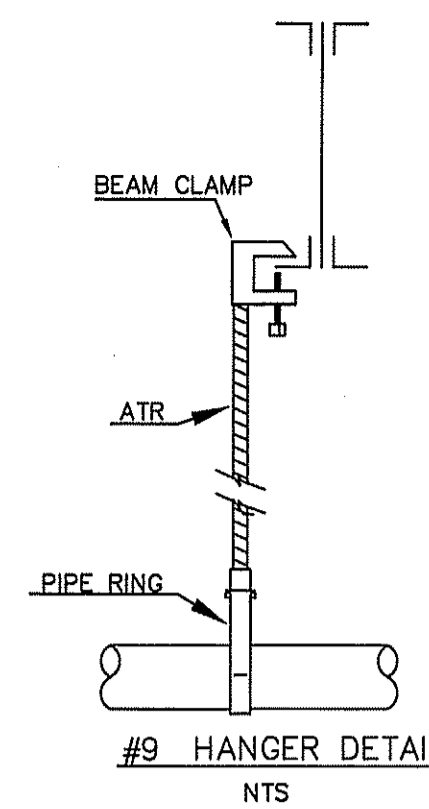


CEILING PLAN
SCALE: 1/8"=1'-0"



PIPING PLAN
SCALE: 1/8"=1'-0"



RETURN BEND DETAILS
NTS

- NOTES**
- CFP SCOPE OF WORK IS TO INSTALL (5) PENDENT SPRINKLERS IN CNC ROOM AND ENTRY AS SHOWN PER NFPA 13 2013 EDITION.
 - EXISTING PROTECTION THROUGHOUT TO REMAIN AS IS.
 - NEW 1" BREAK OVERS AND DROPS TO BE 1" SCHEDULE 40 WITH THREADED FITTINGS.
 - UNSUPPORTED BREAK OVERS NOT TO EXCEED 12".
 - BUILDING TO BE HEATED A MINIMUM OF 40 DEGREES FAHRENHEIT BY OWNER.
 - NEW WORK DOES NOT EXCEED ORIGINAL SYSTEM DESIGN.

IMPORTANT
In locations that are subject to freezing conditions, it is the owner's responsibility to provide heat throughout areas protected by wet pipe sprinkler systems and in enclosures for dry pipe, deluge or other types of valves controlling water supplies to sprinkler systems.

This drawing including all information and design concept herein contained is the property of Carolina Fire Protection Company, Inc. and is loaned upon express conditions that the same be returned to CFP, Inc. upon request; all information contained herein shall be treated as secret, and confidential; no reproduction of this drawing or any part thereof shall be made without written consent of CFP, Inc.

| CONTRACT RESPONSIBILITIES | |
|---------------------------|---------------|
| ITEM | C.F.P./OTHERS |
| STREET WATER CONNECTION | N/A |
| UNDERGROUND WATER MAINS | N/A |
| EXCAVATIONS | N/A |
| BACKFILL | N/A |
| WIRING | N/A |
| PAINTING | N/A |

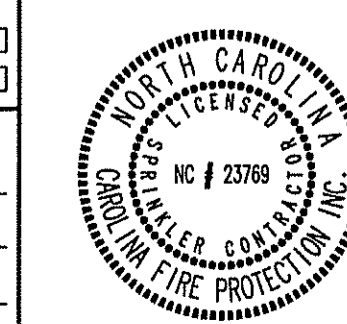
| SYMBOLS | |
|------------------------|------------------------|
| CEILING HT. ABOVE REF. | CEILING HT. ABOVE REF. |
| CL OF PIPE BELOW BOD | CL OF PIPE BELOW BOD |
| CL OF PIPE ABOVE REF. | CL OF PIPE ABOVE REF. |
| HYDRAULIC REF. POINT | HYDRAULIC REF. POINT |
| LINE DESIGNATION | LINE DESIGNATION |
| MAIN DESIGNATION | MAIN DESIGNATION |
| HANGER | HANGER |
| UNION | UNION |
| GROOVED COUPLING (GC) | GROOVED COUPLING (GC) |
| SCREWED CAP | SCREWED CAP |
| GROOVED CAP | GROOVED CAP |
| SCREWED PLUG | SCREWED PLUG |
| FLANGED CONNECTION | FLANGED CONNECTION |

| SYMBOLS | |
|------------------------|------------------------|
| GATE VALVE (SEE NOTES) | GATE VALVE (SEE NOTES) |
| FIRE HOSE ASSEMBLY | FIRE HOSE ASSEMBLY |
| FLOW SWITCH (FS) | FLOW SWITCH (FS) |
| MONITOR SWITCH | MONITOR SWITCH |
| BUTTERFLY VALVE | BUTTERFLY VALVE |
| ALARM VALVE (AV) | ALARM VALVE (AV) |
| DRY PIPE VALVE | DRY PIPE VALVE |
| WAFER CHECK VALVE | WAFER CHECK VALVE |
| SWING CHECK VALVE | SWING CHECK VALVE |
| SYSTEM RISER | SYSTEM RISER |
| INSPECTOR'S TEST | INSPECTOR'S TEST |
| GLOBE VALVE | GLOBE VALVE |
| ANGLE VALVE | ANGLE VALVE |

| ABBREVIATIONS | |
|---------------|------------------------|
| BOB | Bottom of Beam |
| BOD | Bottom of Deck |
| BCP | Bottom of Pipe |
| DO | Drill |
| HV | Hose Valve |
| N & C | Nipple and Cap |
| NIC | Not in Contract |
| NTS | Not to Scale |
| OB | Open Bar Joint |
| PRV | Pressure Red. Valve |
| RM | Roof Manifold |
| SP | Standpipe |
| TOP | Top of Beam |
| TOP | Top of Pipe |
| TOS | Top of Steel |
| UNO | Unless Noted Otherwise |

| SYSTEM TYPE | |
|-------------|--|
| WET | <input checked="" type="checkbox"/> DELUGE |
| DRY | <input type="checkbox"/> PREACTION |

| APPROVALS | |
|------------------------------|--------|
| <input type="checkbox"/> ISO | OUT IN |
| <input type="checkbox"/> IRI | OUT IN |
| <input type="checkbox"/> FM | OUT IN |
| <input type="checkbox"/> | OUT IN |



| SPRINKLER SYMBOL DESCRIPTION | | | | | | | | | |
|--|------|-------|-----------|-------|--------|------------------|------|----------|-------|
| SYMBOL | SIZE | MODEL | MAKE | S/N | FINISH | STYLE | TEMP | K-FACTOR | TOTAL |
| ⊙ | 1/2" | SR | VICTAULIC | V2707 | CHROME | RECESSED PENDENT | 155° | 5.6 | 5 |
| TOTAL SPRINKLERS SHOWN ON THIS SHEET | | | | | | | | | 5 |
| TOTAL SPRINKLERS REQUIRED ON THIS CONTRACT | | | | | | | | | 5 |

CAROLINA FIRE PROTECTION
4055 HODGES CHAPEL ROAD
Dunn, N.C. 28334
Phone (910) 892-1700
Fax (910) 892-7322

| CONTRACT NAME: | | CHECKED BY: | |
|---|-----------------|-----------------------|-------------------|
| ERWIN MILLS SUITE 302 AREA 3 | | J. DUNN | |
| 200 NORTH 13th STREET ERWIN, NC | | DATE: 9/6/24 | |
| CONTRACT WITH: CENTRAL CAROLINA INDUSTRIAL PARK | | SCALE: 1/8"=1'-0" | |
| DESCRIPTION: FIT UP | | CONTRACT NO: 24949 | |
| SYSTEM DESIGN DATA | | | |
| HAZARD CLASSIFICATION | SYSTEM AREA | SG. FT. | |
| DESIGN DATA | DENSITY | GFPM/SQ. FT. | COVERAGE |
| AREA OF APPLICATION | SG. FT. | HOSE ALLOWANCES | GPM |
| TOTAL SYSTEM REQUIREMENTS | GPM/AT | PSI/AT | |
| WATER QUALITY INFORMATION | STATIC PRESSURE | PSI | RESIDUAL PRESSURE |
| | | PSI | PSI |
| | | | GPM FLOW |

| NO. | DATE | BY | REVISIONS - SEE FLAGGED AREA ON PLAN |
|-----|------|----|--------------------------------------|
| | | | |