

ENGINEER

DRAWING DATA	
DATE: 2/23/24	SCALE: 1/8" = 1'-0"
DRAWN BY: RPA	DESIGNED BY: RPA
CHECKED BY: RPA	PLOT SCALE: N/A
CAD FILE NO: S-1	

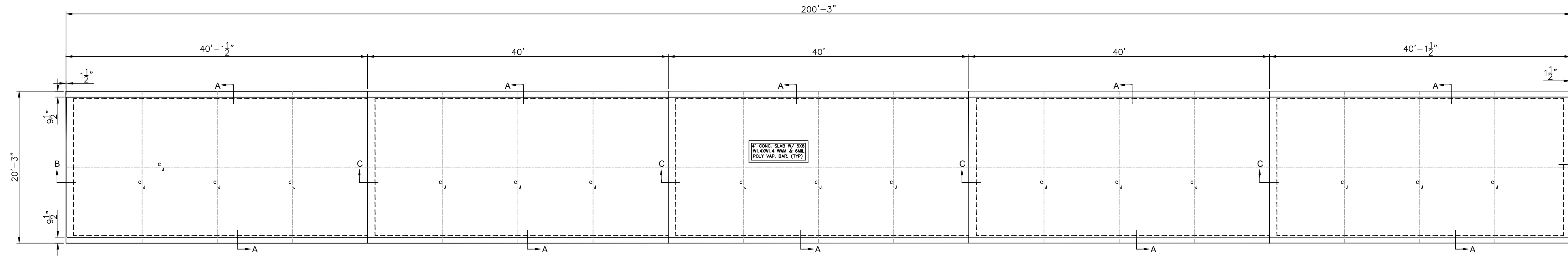
EASY STORAGE
CAMERON, NC

FOUNDATION PLAN

NO.	REVISION

SHEET

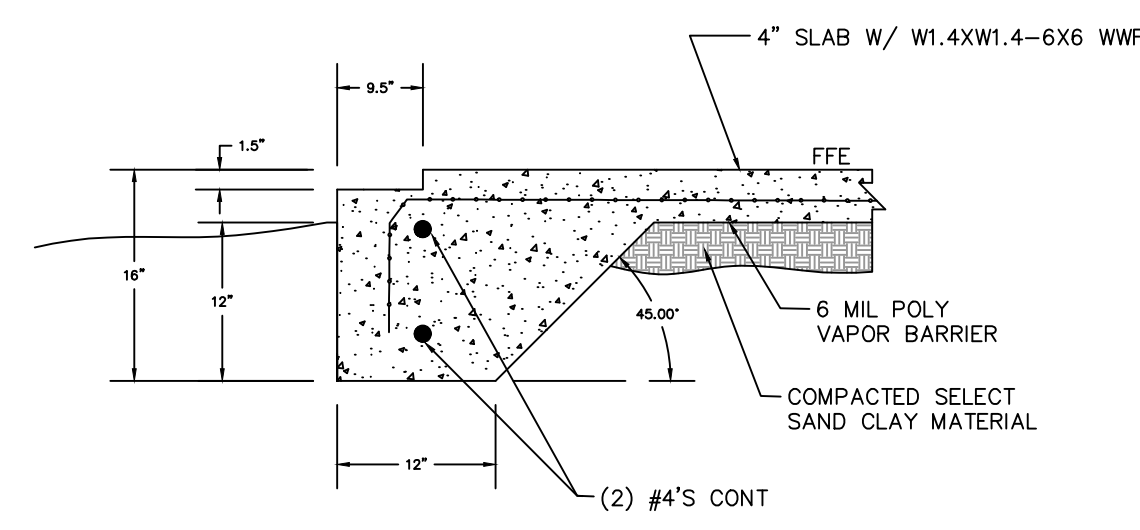
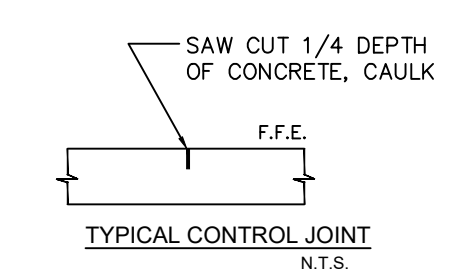
S-1



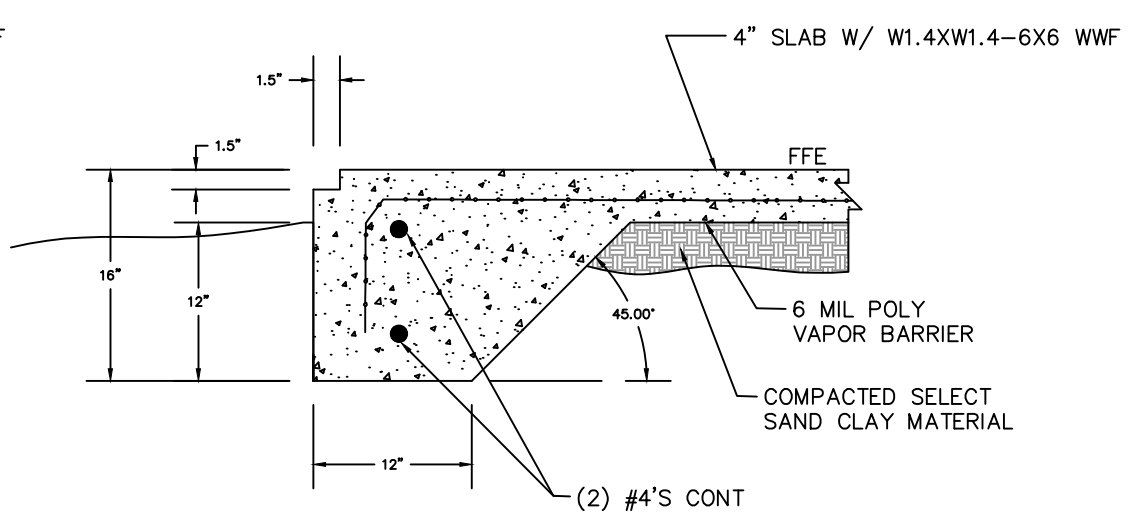
FOUNDATION PLAN

SCALE: 1/8" = 1'-0"

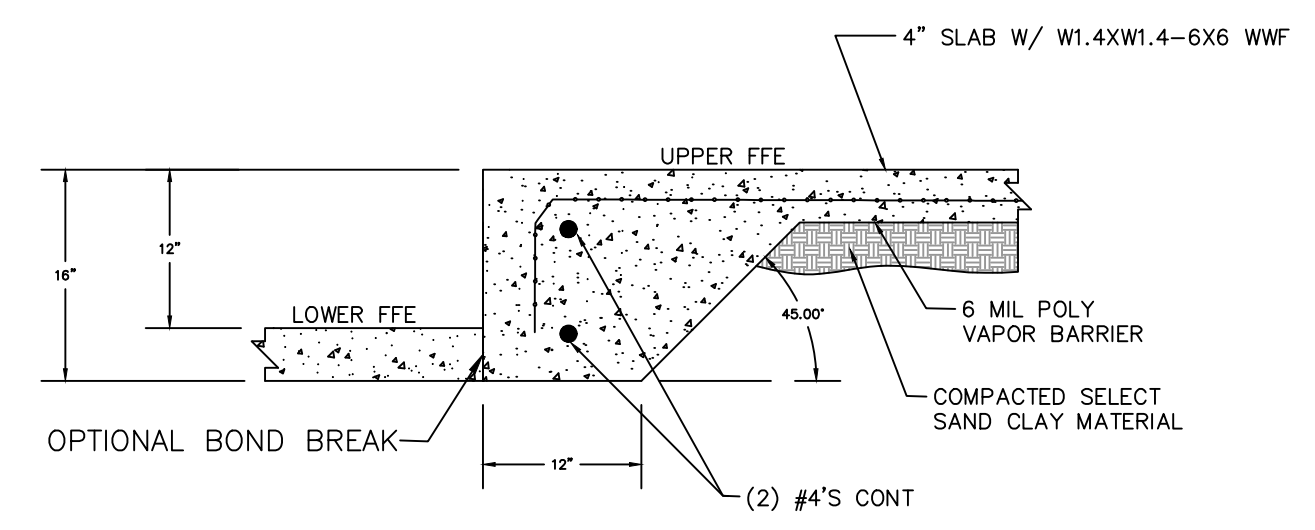
- NOTES:
- ALL CONCRETE TO HAVE MIN. 28 DAY COMPRESSIVE STRENGTH OF 3000 PSI.
 - CONTRACTOR TO VERIFY ALL DIMENSIONS W/ METAL BUILDING MANUFACTURER'S DRAWINGS.
 - CONCRETE FOOTINGS AND SLAB TO BE PLACED ON COMPACTED SELECT MATERIAL MIN. 98% DENSITY - SELECT FILL PLACED & COMPACTED IN 6" LIFTS. ASSUMED SOIL BEARING CAPACITY = 1500 PSF.
 - CONTROL JOINTS TO BE SPACED MAX. 10' O/C.
 - SEE MANUFACTURER'S ANCHOR PLANS FOR ANCHOR BOLT LAYOUT, QUANTITY, SIZE & PROJECTION.
 - REINFORCING STEEL SHALL BE 60 KSI, ASTM A 615.
 - SEE MANUFACTURER'S DRAWINGS FOR FRAMED OPENING LOCATIONS.
 - CONT. REINFORCING STEEL SHALL HAVE 24 BAR DIA LAP OR MIN. 12".
 - CLEAR DISTANCE FOR ALL REINFORCING SHALL BE 3", UON.
 - PROVIDE CORNER BARS AT ALL FOOTING CORNERS. CORNER BARS SHALL HAVE THE SAME SIZE AND SPACING AS MAIN REINFORCING AND SHALL HAVE A MIN 48" LAP.
 - WELDED WIRE FABRIC SHALL CONFORM TO ASTM A 185 & A B2.
 - FLOOR LIVE LOAD DESIGN = 100 PSF
 - FOUNDATION DESIGNED USING REACTIONS PROVIDED BY THE METAL BUILDING MFR AND IN ACCORDANCE TO THE 2018 NORTH CAROLINA BUILDING CODE. ULTIMATE DESIGN WIND SPEED = 120 MPH
 - PERIMETER FOOTING AND SLAB SHALL BE POURED SEPARATELY OR MONOLITHICALLY. RETAINING WALL FOOTING AND FLOOR SLAB POUR SEPARATELY.
 - FLATNESS AND LEVELNESS IN ACCORDANCE W/ ACI 117 FF35/FL25



SECTION A CONT. FOOTING DETAIL
NTS



SECTION B CONT. FOOTING DETAIL
NTS



SECTION C CONT. FOOTING DETAIL
NTS