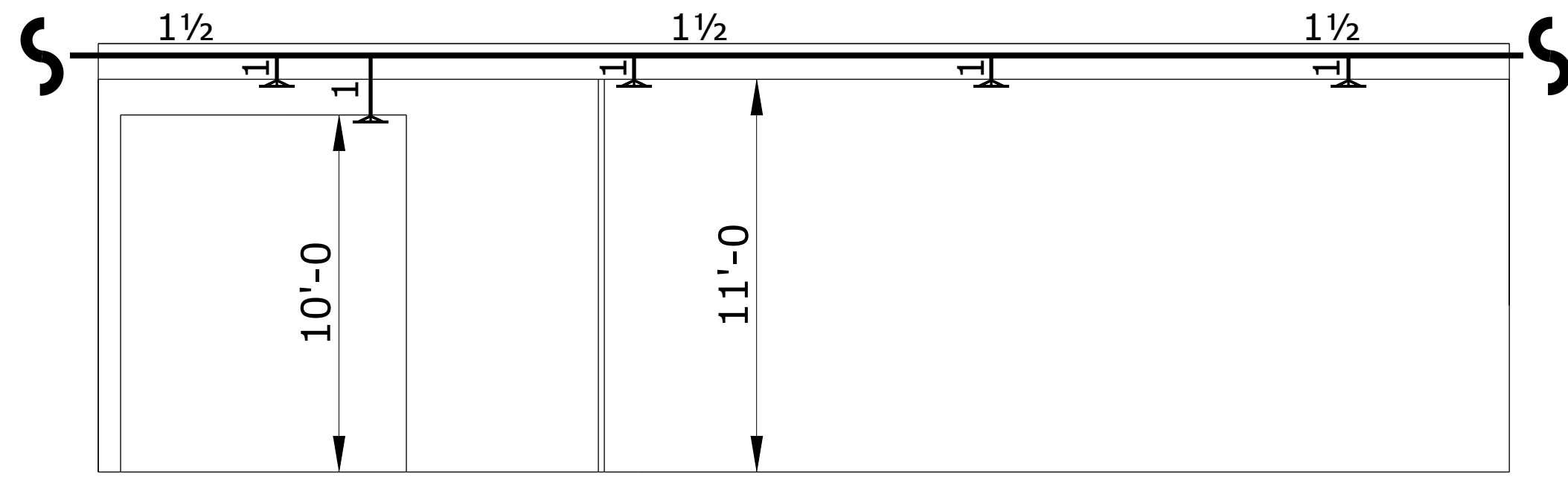
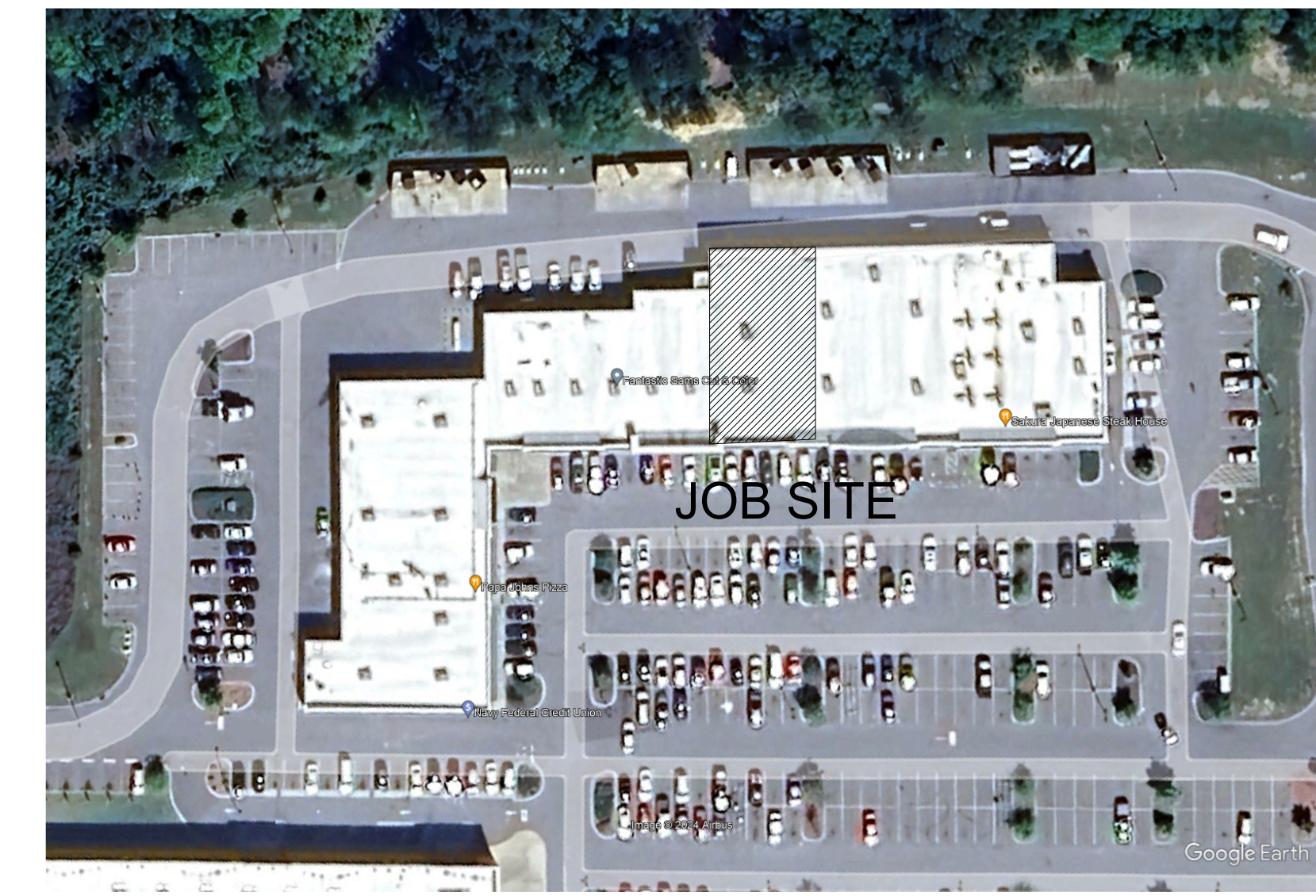


# GENERAL NOTES

- 1.) CFP (CAROLINA FIRE PROTECTION) IS TO MODIFY EXSITING WET PIPE SYSTEM BASED ON TENANT SPACE RENOVATION, PER NFPA 13, 2013 EDITION.
- 2.) ALL BREAKOVERS AND DROPS TO BE 1" SCHEDULE 40.
- 3.) ALL UNSUPPORTED BREAKOVERS SHALL NOT EXCEED 24".
- 4.) ALL AREAS IN WHICH PIPING IS INSTALLED SHALL BE HEATED AND MAINTAINED AT 40° F MINIMUM BY OWNER.
- 5.) ALL SPRINKLER PIPE USED SHALL BE 1" SCH 40
- 6.) ALL MATERIALS TO BE U.L. LISTED AS REQUIRED BY NFPA 13.
- 7.) SCOPE OF WORK: RELOCATE (4) PENDENT SPRINKLERS & ADD (8) PENDENT SPRINKLERS
- 8.) REMOVE ALL EXISTING HEADS AND PIPE BACK TO 1" OUTLET ON BRANCH LINE,



CROSS-SECTION A-A  
NOT TO SCALE



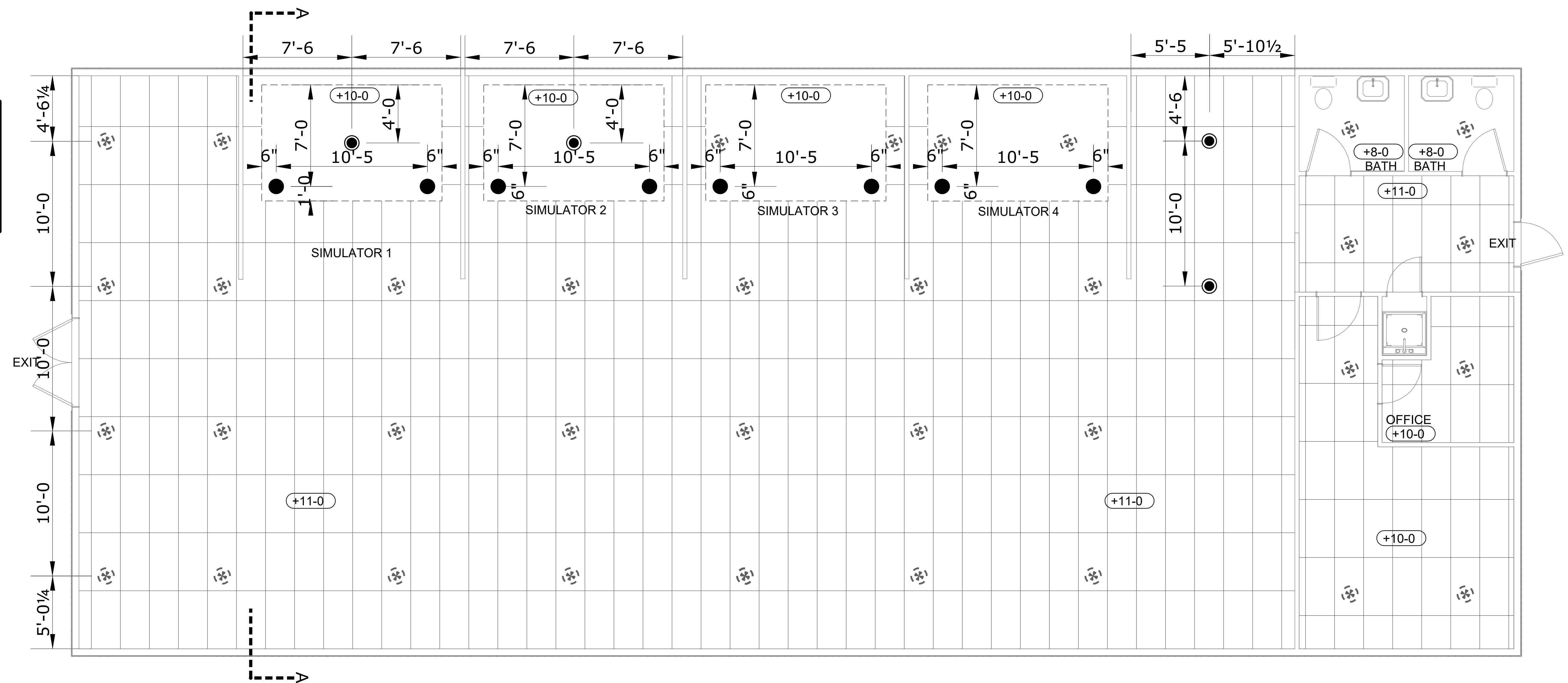
KEY PLAN  
NOT TO SCALE

**REVIEWER'S NOTES**  
TENAT UP-FIT DOES NOT HYDRAULICALLY EXCEED THE ORIGINAL DESIGN OF THE SHELL BUILDING

Reviewed for Fire Code Compliance  
 Leslie Jackson  
 07/01/2024 8:20:22 AM

**LEGEND**

- NEW PIPE
- EXISTING PIPE
- MEK OUTLET OR MECHANICAL TEE
- EXISTING PENDENT
- NEW CONCEALED PENDENT
- NEW SEMI RECESSED PENDENT



CEILING PLAN  
SCALE: 1/4"=1'-0"

**IMPORTANT**  
In locations that are subject to freezing conditions, it is the owner's responsibility to provide heat throughout areas protected by wet pipe sprinkler systems and in enclosures for dry pipe, deluge or other types of valves controlling water supplies to sprinkler systems.

**CONTRACT RESPONSIBILITIES**

ITEM	C.F.P./OTHERS
STREET WATER CONNECTION	N/A
UNDERGROUND WATER MAINS	N/A
EXCAVATIONS	N/A
BACKFILL	N/A
PAINTING	N/A

**SYMBOLS**

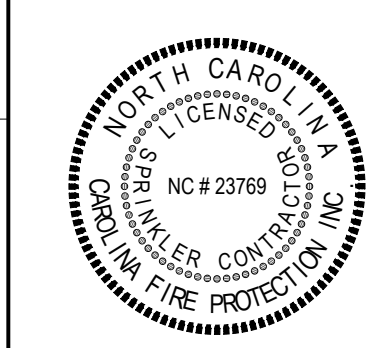
	CEILING/JOIST ABOVE REF
	SLOPE OF PIPE BELOW REF
	SLOPE OF PIPE ABOVE REF
	MONITOR SWITCH
	FIRE DESCRIPTION
	ALARM VALVE (AV)
	DRY PIPE VALVE
	WACKER
	CHECK VALVE
	BREAKOVER/CLAMPING (BO)
	BREAKOVER CAP
	BREAKOVER PLUG
	FLANGED CONNECTION
	GATE VALVE/ISOLATOR
	FIRE HOSE ASSEMBLY
	FLOOR SWITCH (FS)
	POST INDICATOR VALVE (PIV)
	KEY GATE SECTIONAL VALVE
	WATER CHECK VALVE
	DRAIN CHECK VALVE
	SYSTEM RISER
	INSPECTORS TEST
	GLOBE VALVE
	ANGLE VALVE
	ELECTRIC BELL
	WATER MOTOR (SOS) (MAG)
	FIRE DEPT CONN (STANDARD)
	FIRE DEPT CONN (PLUG)
	FIRE DEPT CONN (BREAKDOWN)
	KEY GATE SECTIONAL VALVE (PIV)
	WHIP ROADWAY BOX
	FIRE HOSE (2) (S)
	THRUST BLOCK
	JUMPER (S)
	ELEVATION CHANGE IN PIPE (NOT THROUGH FLOOR)

**ABBREVIATIONS**

BOB	Bottom of Beam
BOD	Bottom of Deck
BDP	Bottom of Pipe
DO	Ditto
HV	Hose Valve
N & C	Nipple and Cap
NTS	Not to Scale
OBJ	Open Bar Joist
PRV	Pressure Red. Valve
RM	Root Manifold
SP	Standpipe
TOP	Top of Beam
TOS	Top of Pipe
UNO	Unless Noted Otherwise

**SYSTEM TYPE**

WET- [X]	DELUGE- [ ]
DRY- [ ]	PREACTION- [ ]
<input type="checkbox"/> ISO	OUT IN
<input type="checkbox"/> IRI	OUT IN
<input type="checkbox"/> FM	OUT IN
<input type="checkbox"/>	OUT IN



**SPRINKLER SYMBOL DESCRIPTION**

SYMBOL	SIZE	MODEL	MAKE	SIN	FINISH	STYLE	TEMP	K-FACTOR	TOTAL
	1/2	QR	VICTAULIC	V5606	CHROME	CONCEALED PENDENT	155°	5.6	8
	1/2	QR	VICTAULIC	V2708	CHROME	PENDENT	155°	5.6	4
TOTAL SPRINKLERS SHOWN ON THIS SHEET									12
TOTAL SPRINKLERS REQUIRED ON THIS CONTRACT									12

**CAROLINA FIRE PROTECTION**  
 4055 HODGES CHAPEL ROAD  
 DUNN, N.C. 28334  
 Phone (910) 892-1700  
 Fax (910) 892-7322

**CONTRACT NAME: BRANDON FARRELL**

**The Bogey Brothers**  
 BRINKLEY COMMONS 2646 NC 87  
 CAMERON, NC, 28326

CONTRACT WITH: THE BOGEY BROTHERS

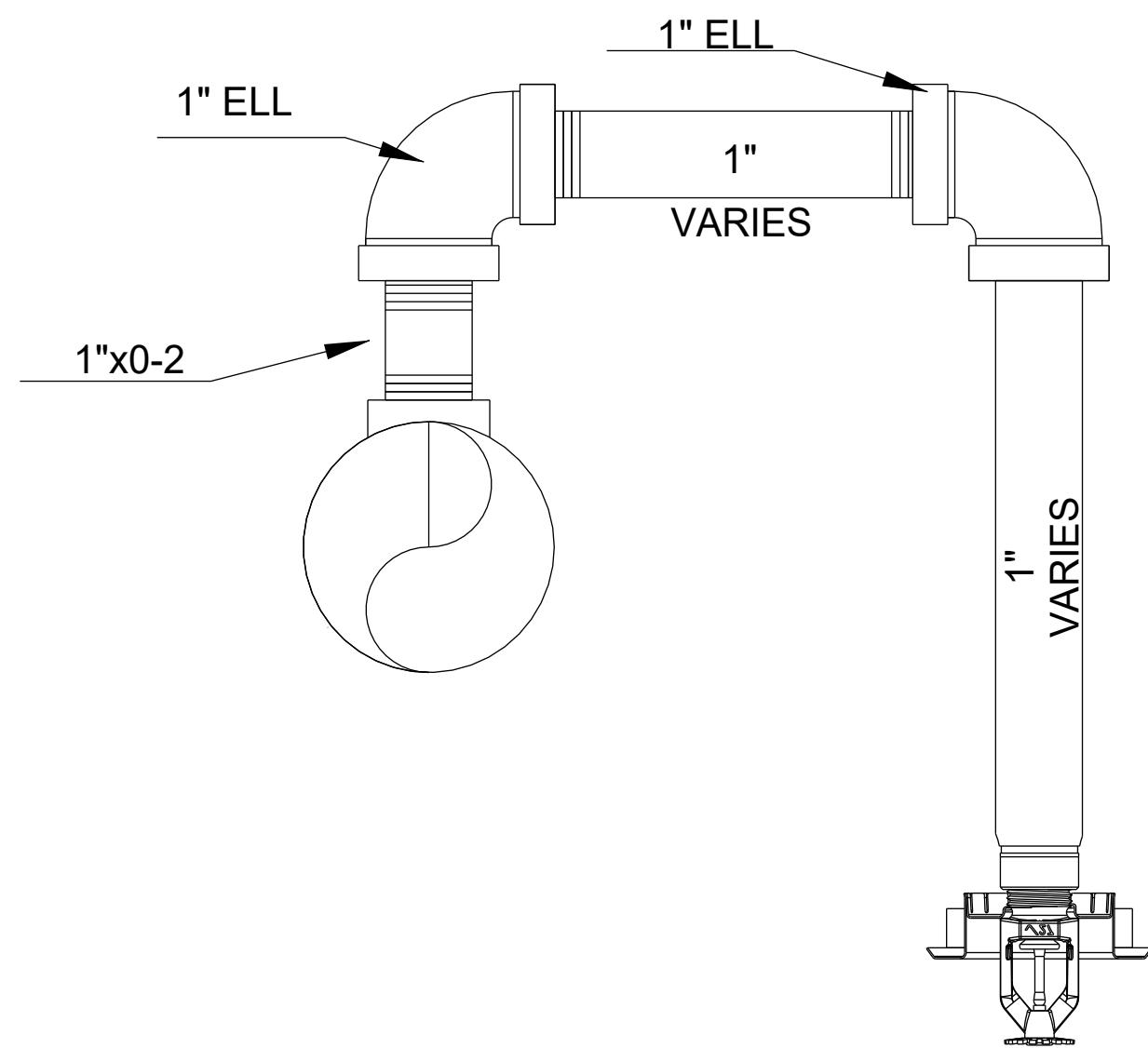
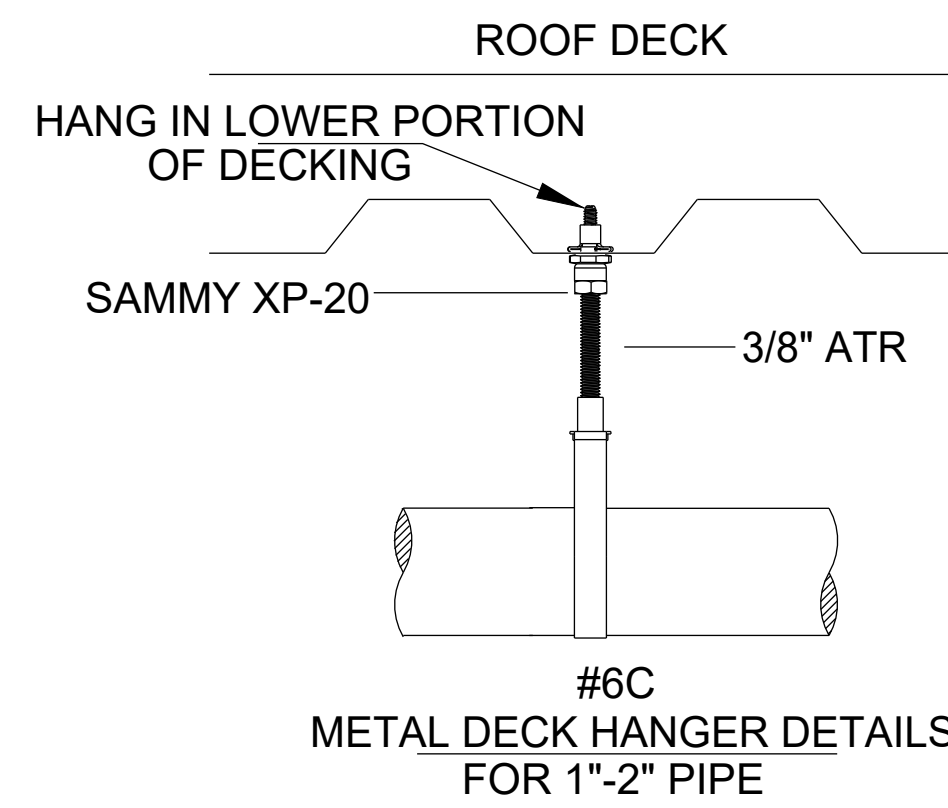
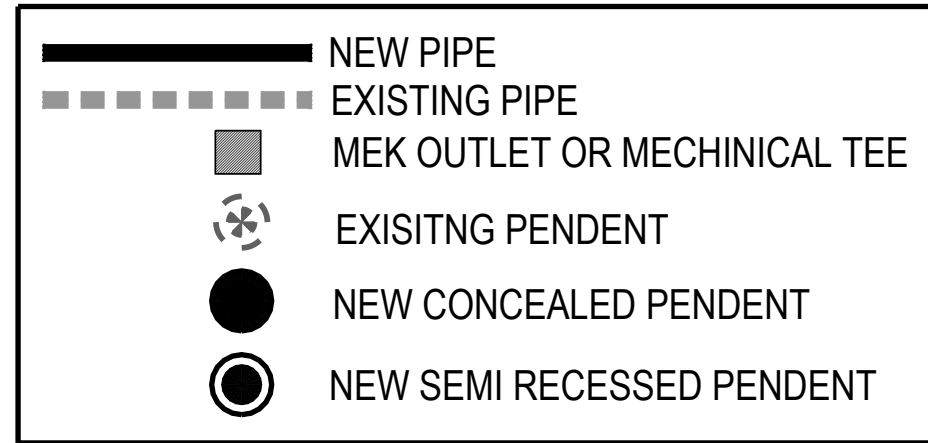
DESCRIPTION: UP-FIT

SYSTEM DESIGN DATA	
SYSTEM AREA:	- SQ. FT.
COVERAGE:	- SQ. FT./HEAD
DENSITY:	- GPM/SQ. FT.
HOSE ALLOWANCES:	- GPM
PSI AT:	- PSI AT
PSI RESIDUAL:	- PSI w/ - GPM FLOWING

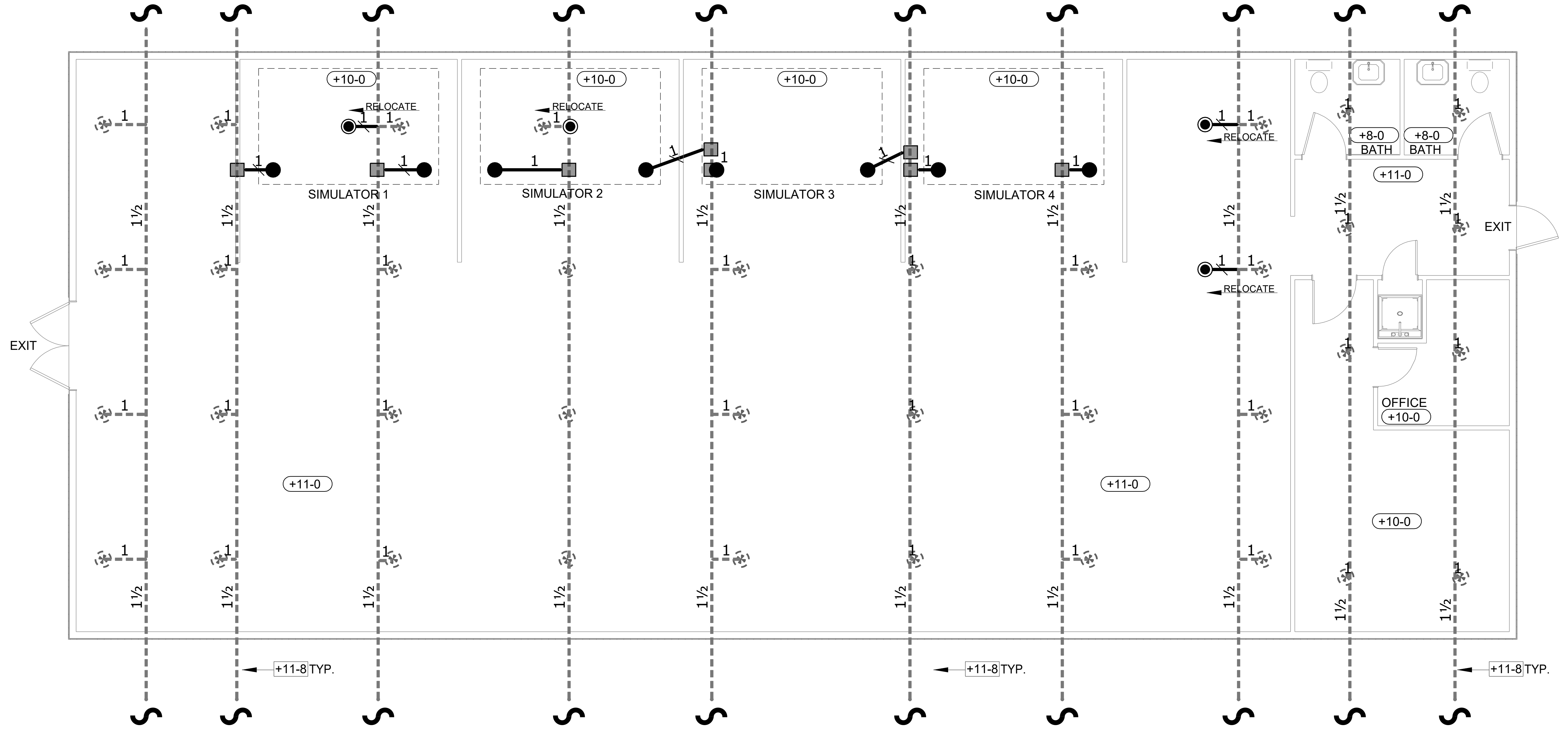
CHECKED BY: M:FORD  
 DATE: 06-11-2024  
 SCALE: 1/4" = 1'  
 CONTRACT NO: D414  
 DRAWN BY: SHAWN W  
 DRAWING NO.  
 FP 1 of 2



**LEGEND**



**ARM-OVER DETAIL**  
NOT TO SCALE



**PIPING PLAN**  
SCALE: 1/4"=1'-0"

**IMPORTANT**  
In locations that are subject to freezing conditions, it is the owner's responsibility to provide heat throughout areas protected by wet pipe sprinkler systems and in enclosures for dry pipe, deluge or other types of valves controlling water supplies to sprinkler systems.

**CONTRACT RESPONSIBILITIES**

ITEM	C.F.P./OTHERS
STREET WATER CONNECTION	N/A
UNDERGROUND WATER MAINS	N/A
EXCAVATIONS	N/A
BACKFILL	N/A
PAINTING	N/A

**SYMBOLS**

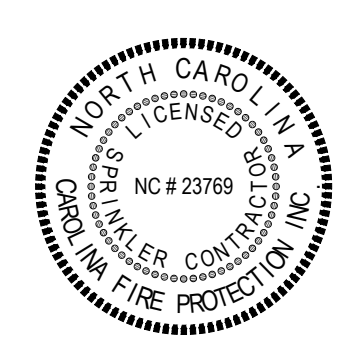
DELIGHT ABOVE REF.	CL OF PIPE ABOVE REF.	CL OF PIPE BELOW REF.	CL OF PIPE ABOVE REF.
FLOW SWITCH (FS)	MONITOR SWITCH	ALARM VALVE (AV)	DRY PIPE VALVE
WATER CHECK VALVE	SWAMP CHECK VALVE	INSPECTOR'S TEST	GLOBE VALVE
SCREWED PLUG	FLANGED CONNECTION		

**ABBREVIATIONS**

BOB	Bottom of Beam
BOD	Bottom of Deck
BDP	Bottom of Pipe
DO	Ditto
HTS	Hose Valve
N & C	Nipple and Cap
NIC	Not in Contract
NS	Not to Scale
OPJ	Open Bar Joist
PRV	Pressure Red. Valve
RM	Root Manifold
SP	Standpipe
TOP	Top of Beam
TOS	Top of Steel
UNO	Unless Noted Otherwise

**SYSTEM TYPE**

WET- [X] DELUGE- [ ]	DRY- [ ] PREACTION- [ ]
ISO	OUT IN
IRI	OUT IN
FM	OUT IN



**SPRINKLER SYMBOL DESCRIPTION**

SYMBOL	SIZE	MODEL	MAKE	SIN	FINISH	STYLE	TEMP	K-FACTOR	TOTAL
●	1/2	QR	VICTAULIC	V5606	CHROME	CONCEALED PENDENT	155°	5.6	8
○	1/2	QR	VICTAULIC	V2708	CHROME	PENDENT	155°	5.6	4

TOTAL SPRINKLERS SHOWN ON THIS SHEET: 12  
TOTAL SPRINKLERS REQUIRED ON THIS CONTRACT: 12

**CAROLINA FIRE PROTECTION**  
4055 HODGES CHAPEL ROAD  
Dunn, N.C. 28334  
Phone (910) 892-1700  
Fax (910) 892-7322

**CONTRACT NAME: BRANDON FARRELL**

**The Bogey Brothers**  
BRINKLEY COMMONS 2646 NC 87  
CAMERON, NC, 28326

CONTRACT WITH: THE BOGEY BROTHERS

DESCRIPTION: UP-FIT

SYSTEM DESIGN DATA		SYSTEM AREA	
HAZARD CLASSIFICATION	-	SYSTEM AREA	- SQ. FT.
DESIGN DATA DENSITY	-	COVERAGE	- SQ. FT./HEAD
AREA OF APPLICATION	-	HOSE ALLOWANCES	- GPM
TOTAL SYSTEM WATER SUPPLY	-	PSI AT	-
INFORMATION STATIC	-	PSI RESIDUAL	-
		PSI AT	-
		GPM FLOWING	-

CHECKED BY: M:FORD  
DATE: 06-11-2024  
SCALE: 1/4" = 1'  
CONTRACT NO: D414  
DRAWN BY: SHAWN W  
DRAWING NO.  
FP 2 of 2