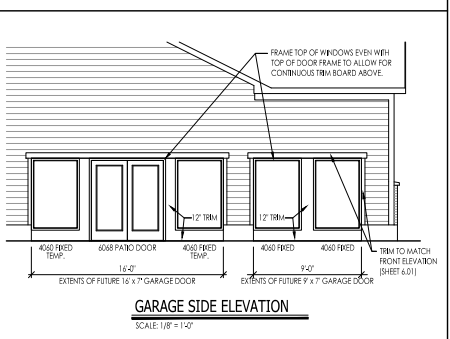
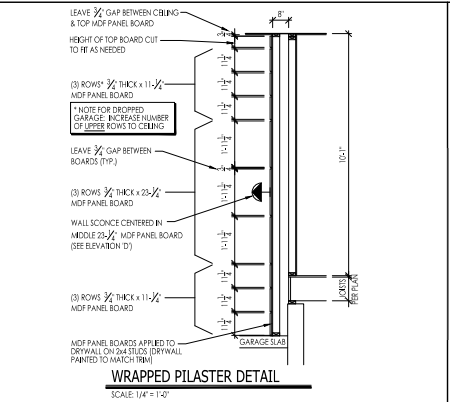


WRAPPED PILASTER IMAGE (INSTALLED)
 *FOR REFERENCE ONLY - REFER TO DETAIL FOR JOB SPECIFIC APPLICATION

SALES MODEL ELEVATIONS
 SCALE: 1/8" = 1'-0"

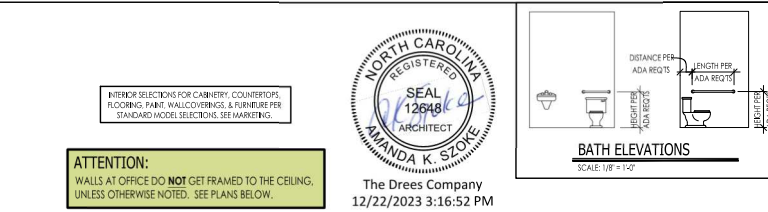
INTERIOR SELECTIONS FOR CABINETS, COUNTERTOPS, FLOORING, PAINT, WALLCOVERINGS, & FURNITURE PER STANDARD MODEL SELECTIONS. SEE MARKETING.

General Notes:
 1. REFER TO SHEET 01 FOR GENERAL NOTES.
Key Notes:
 11. FRAME TOP OF OPENING EVEN W/ TOP OF FIXED PANEL GLASS WINDOW AT OFFICE - NO CASING
 12. WRAPPED PILASTER FRAMED TO CEILING AND PAINTED TO MATCH TRIM - SEE DETAIL THIS SHEET
 13. WALL BETWEEN PLASTER TO BE PAINTED ACCENT COLOR - RE: STANDARD MODEL SELECTIONS
 14. FRAME ROUGH OPENING FOR 7'-0" WIDE X 8'-0" TALL FIXED PANEL GLASS WITH #4ETS AND BLACK METAL MULLIONS, BOTTOM FLUSH TO FLOOR
 15. DRESS LOGO-BRANDAGE ON WALL WITH BACK LIGHTING - OUTLET TO BE CENTERED IN THE MIDDLE OF THE WALL WITH THE BOTTOM OF THE OUTLET 5'-4" A.F.F.
 16. OUTLET/PHONE BELOW COUNTER.
 17. GROMMETS IN COUNTER FOR PHONE/ELECTRIC BELOW.
 18. FRAME TOP OF WALLS AT OFFICE AND STORAGE 2'-6" DOWN FROM GARAGE CEILING
 19. PLUS LAMINATE SUPPORT PANEL 12"W X 30" H X 3/4" THK PLASTIC LAM. ALL (4) SIDES.
 20. L-SHAPED PLUS LAM. MODesty PANEL, INTERIOR DIMENSIONS: 30" WIDE X 1'-8" DEEP.
 21. 3/4" PLUS LAM. SUPPORT COLUMN FOR COUNTERTOP.
 22. 3-BASE FILE CABINETS - SEE ELEVATION 'Y'
 23. BROCHURE HOLDERS.
 24. OUTLET/ DATA JACK HELD HIGH
 25. VALANCE/FILTER AS REQ'D.
 26. FLAT SCREEN TV ON WALL - PROVIDE CAT 5 AND OUTLET HELD HIGH (7'-1" A.F.F.)
 27. HOLD OUTLET AND CAT SLOW FOR INTERACTIVE DISPLAY MON.
 28. LIGHT AND OUTLET IN CEILING FOR FUTURE GARAGE DOOR OPENER.
 29. COVER EXPOSED FOUNDATION WALL LEEDGE W/ 1" RIPPED WOOD CAP
 30.
 31. FRAME WALLS AT STORAGE ROOM AND BATHROOM TO CEILING
 32. 1' x 17" WALL HUNG SIGN
 33. CLEAR SPACE PER CODE
 34. BLOCKING IN WALL FOR GRAB BARS - SEE BATH ELEVATIONS THIS SHEET

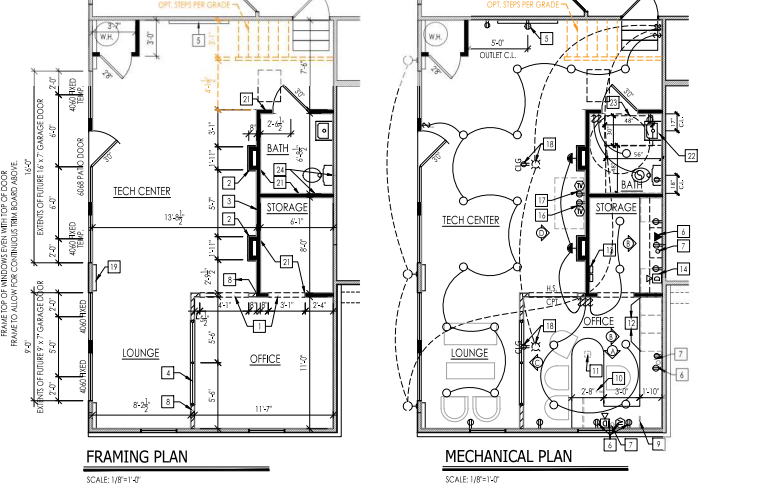


WRAPPED PILASTER DETAIL
 SCALE: 1/4" = 1'-0"

GARAGE SIDE ELEVATION
 SCALE: 1/8" = 1'-0"



BATH ELEVATIONS
 SCALE: 1/8" = 1'-0"



FRAMING PLAN
 SCALE: 1/8" = 1'-0"

MECHANICAL PLAN
 SCALE: 1/8" = 1'-0"

MECHANICAL LEGEND

PHONE JACK	CLG. MOUNTED LIGHT FIXT.	STAR-LIGHT
WALL OUTLET	SURFACE MOUNT DISC LIGHT OR RECESSED CEILING LIGHT, PER SPEC.	HOSE BB
WEATHERPROOF-CEILING OUTLET	WALL MOUNTED LIGHT FIXT.	SHOWER HEAD
220 VOLT OUTLET	DOUBLE SPOTLIGHT FIXT.	GAS HOOK UP
OPENER OUTLET	FLOOR OUTLET	FLOOR DRAIN
FLOOR OUTLET	DIRECTIONAL CAN LIGHT	SMOKE DETECTOR
CABLE TELEPHONE JACK	PIN LIGHT	CO DETECTOR
SINGLE POLE SWITCH	WALL SCONCE 6" S-F A.F.F.	SMOKE DETECTOR/CO DETECTOR COMBINATION
SWAY SWITCH	FLUORESCENT LIGHT	EXHAUST FAN AND LIGHT COMBINATION
SWAY SWITCH	UNDER CABINET LIGHTING	CLG. MTD. EXHAUST FAN
BLOCK, MOUNT, & SWICH FOR FUTURE PANEL LIGHT COMBINATION (CENTER, UNLESS OTHERWISE NOTED)		

RESIDENCE FOR: MODEL HOME
ADDRESS T.B.D.
TOBACCO ROAD

Job Number: TRD-0001-00 Drawing Date: 11/16/23 Coord Name: GREG P. Coord Phone: 857-578-4355
 House Name: Contract Drawn By: DWV
 Series: EXECUTIVE
 Plan No.: N/A

Drees HOMES.
 Copyright © 2023, 2022 The Drees Company. All Rights Reserved.
 6021 HOPKINS ROAD, SUITE 200, RALEIGH, NC 27615
 PHONE: 919.844.2828

7.03
 Model/Sales Office
 Evolution "D"

NOTICE TO CONTRACTOR
 Reviewed for Fire Code Compliance
 01/10/2024
 Harnett County North Carolina
 Leslie Jackson
 01/23/2024 9:53:01 AM