

Sprinkler Design Data

Project Name: CAPE FEAR MOB TI	System: Wet
Project Street Address: 225 BRIGHTWATER DRIVE	Work Area Sq. Ft.: ± 65,986
Suite: N/A	Floor#: N/A
Designed By: Associated Fire Protection	Phone: (919) 553-4021
Occupancy: CANCER CENTER	Hazard: LIGHT/OH1
	Ceiling Height: Varies
	Total Bldg. Hgt.: 29'-4"

Design Summary

Design Method	System #1	System #1	System #2
1	Calculated	Calculated	Calculated
Design Area #	1	1	1
Location	3RD FLOOR	2ND FLOOR	1ST FLOOR
Type of System	Wet	Wet	Pre-Action
Hazard Class	LIGHT HAZARD	LIGHT HAZARD	LIGHT HAZARD
Criteria From	NFPA 13 2013 ED	NFPA 13 2013 ED	NFPA 13 2013 ED
Design Area	1,512 Sq. Ft.	1,048 Sq. Ft.	639 Sq. Ft.
Sprinkler Spacing	225 Sq. Ft. Max.	225 Sq. Ft. Max.	225 Sq. Ft. Max.
Density	.10	.10	.10
K-factor	5.6	5.6	5.6
Hose Allowance	100 GPM	100 GPM	100 GPM
# Design Sprinklers	12	13	8
Special Application Spk	N/A	N/A	N/A
Requirement @ BOR			
G.P.M. Req'd	284.02	302.84	186.23
P.S.I. Req'd	83.12	90.97	77.06
Requirement @ TEST			
GPM Required	384.02	402.84	286.23
PSI Required	100.08	108.28	93.35
Safety factor @ Test	31.45	23.12	38.80
Dry Sys. Volume (gal)	N/A	N/A	29.77

WATER SUPPLY INFORMATION

Tested by	AFP	Date/Time	9.06.23 @ 9:20AM	Pressure Hydrant	N/A
Hydrant Elevation	±172'-0"	Flow Hydrant # 1	N/A	Flow Hydrant #2	N/A
Static (PSI)	133	Residual (PSI)	105	Flow (gpm)	1,894

Copy of Water Test Data Included with Calculation

NOTES:

GENERAL NOTES
 THE FIRE PROTECTION SYSTEM SHALL COMPLY WITH NFPA 13 2013 EDITION, AND ALL APPLICABLE STATE AND LOCAL CODES. FINAL INSPECTION AND APPROVAL OF THE FIRE PROTECTION SYSTEM SHALL BE BY THE LOCAL FIRE DEPARTMENT, AND ARCHITECT/ENGINEER.
 PIPE ROUTING SHOWN INDICATES OUR INITIAL DESIGN AND LAYOUT. FINAL ROUTING AND ELEVATIONS SHALL BE BASED ON A FIELD SURVEY TO BE CONDUCTED AND COORDINATED WITH ALL TRADES.
 FIRESTOP ALL PENETRATIONS OF SMOKE/FIRE WALLS, CEILING, FLOORS, ROOFS, ETC. USING UL LISTED FIRESTOP SEALANT.
 PROVIDE ACCESS PANELS TO ALL VALVES ABOVE NON-ACCESSIBLE CEILING AND CHASES.
 A CABINET WITH STOCK OF EXTRA SPRINKLERS SHALL BE PROVIDED IN ACCORDANCE WITH NFPA 13.
 METHODS OF HANGING PIPES, HEADERS, AND BRANCHES SHALL BE IN ACCORDANCE WITH NFPA 13. NO OTHER PIPING AND/OR DEVICES ARE TO BE ATTACHED TO THE SPRINKLER PIPE HANGER SYSTEM. THIS CONTRACT DOES NOT INCLUDE ANY MATERIAL OR DEVICE TO IMPROVE THE STRUCTURAL STRENGTH OF THE BUILDING TO ENABLE IT TO CARRY THE LOAD OF THE FIRE PROTECTION SYSTEM.
 ALL VALVES FOR FIRE SERVICE SHALL BE LISTED BY THE UNDERWRITERS LABORATORIES, INC.
 ALL POWER WIRING SHALL BE ACCOMPLISHED BY THE FIRE ALARMELECTRICAL CONTRACTOR. ALL CONTROL AND INTERLOCK WIRING SHALL BE ACCOMPLISHED UNDER THE ELECTRICAL SECTION OF THE SPECIFICATIONS IN ACCORDANCE WITH THE REQUIREMENTS IN THE ELECTRICAL DIVISION. COORDINATE ALL ELECTRICAL ITEMS WITH THE ELECTRICAL CONTRACTOR AND INSURE PROPER COORDINATION.
 A HYDRAULIC DATA PLATE SHALL BE PLACED ON THE SYSTEM RISER STATING THE REQUIRED DESIGN CRITERIA FOR EACH HYDRAULICALLY DESIGNED SYSTEM.
 ALL PORTIONS OF THE BUILDING WHERE WET SYSTEM PIPING IS ROUTED SHALL BE MAINTAINED TO A MINIMUM OF 40 DEG. FAHRENHEIT. THIS TEMPERATURE SHALL BE MAINTAINED BY THE OWNER AT ALL TIMES.
 ALL SPRINKLER HEADS MOUNTED IN THE CEILING SHALL BE A MINIMUM OF 4" AWAY FROM WALLS, CEILING HEIGHT CHANGES, OR ANY OTHER VERTICAL INTERSECTING SURFACE.
 PROVIDE SPRINKLERS ABOVE AND BELOW ANY EXPOSED DUCTWORK 48" OR WIDER.

PIPE MATERIALS

ALL PIPE TO BE BLACK STEEL, WITH BLACK CAST IRON FITTINGS WITH JOINTS AS PER NFPA
 ALL PIPING SHALL AS PER THE FOLLOWING SIZES:
 -MAIN PIPING - SCH-10
 -RISER PIPING - SCH-10
 -LINE PIPING 1 1/4" and larger - SCH-10
 -1" RETURN BEND PIPING - SCH-40

HANGERS

PIPE HANGERS SHALL BE INSTALLED AS REQUIRED BY NFPA FOR SUPPORTING SPRINKLER PIPING. NO OTHER PIPING AND/OR DEVICES ARE TO BE ATTACHED TO THE SPRINKLER PIPE HANGER SYSTEM. THIS CONTRACT DOES NOT INCLUDE ANY MATERIAL OR DEVICE TO IMPROVE THE STRUCTURAL STRENGTH OF THE BUILDING TO ENABLE IT TO CARRY THE LOAD OF THE FIRE PROTECTION SYSTEM.
 STEEL PIPE SIZE: 3/4" 1" 1 1/4" 1 1/2" 2" 2 1/2" 3" 3 1/2" 4" 5" 6" 8" 10"
 MAX. DIST BETWEEN HANGERS: NA 120 120 150 150 150 150 150 150 150 150 150
 THE UNSUPPORTED LENGTH BETWEEN THE END SPRINKLER AND THE LAST HANGER ON THE LINE SHALL NOT BE GREATER THAN 36" FOR 1", 48" FOR 1 1/4", AND 60" FOR PIPE GREATER THAN 1 1/2".
 THE CUMULATIVE HORIZONTAL LENGTH OF AN UNSUPPORTED ARMOUR TO A SPRINKLER, SPRINKLER DROP, OR SPRIG-UP SHALL NOT EXCEED 12"



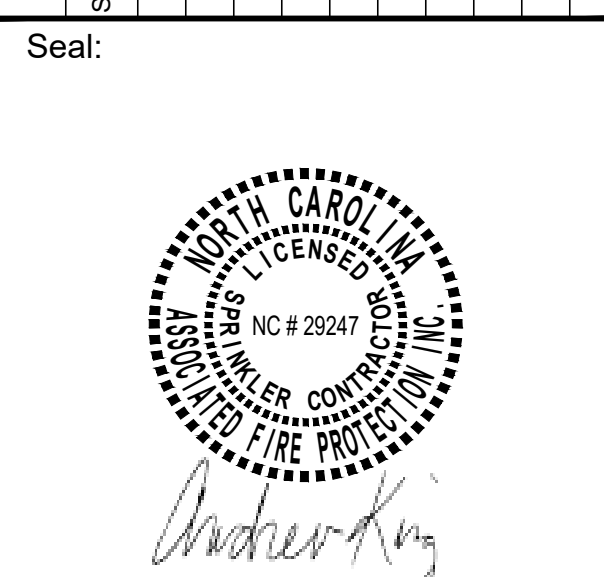
P.O. Box 28022
 Raleigh, N.C. 27611
 Phone: 919-553-4021
 Fax: 919-553-2169
 www.afp-nc.com

REVISIONS

No.	Date-Description
1	--
2	--
3	--
4	--
5	--
6	--
7	--

SYSTEM SYMBOL DESCRIPTION

SYMBOL	DESCRIPTION
⊠	FIRE DEPARTMENT CONNECTION
⊡	HYDRAULIC REFERENCE POINT
⊢	CENTERLINE OF PIPE ABOVE FINISH FLOOR
⊣	CENTERLINE OF PIPE BELOW TOP OF STEEL



Andrew King, NICET Level III #152401

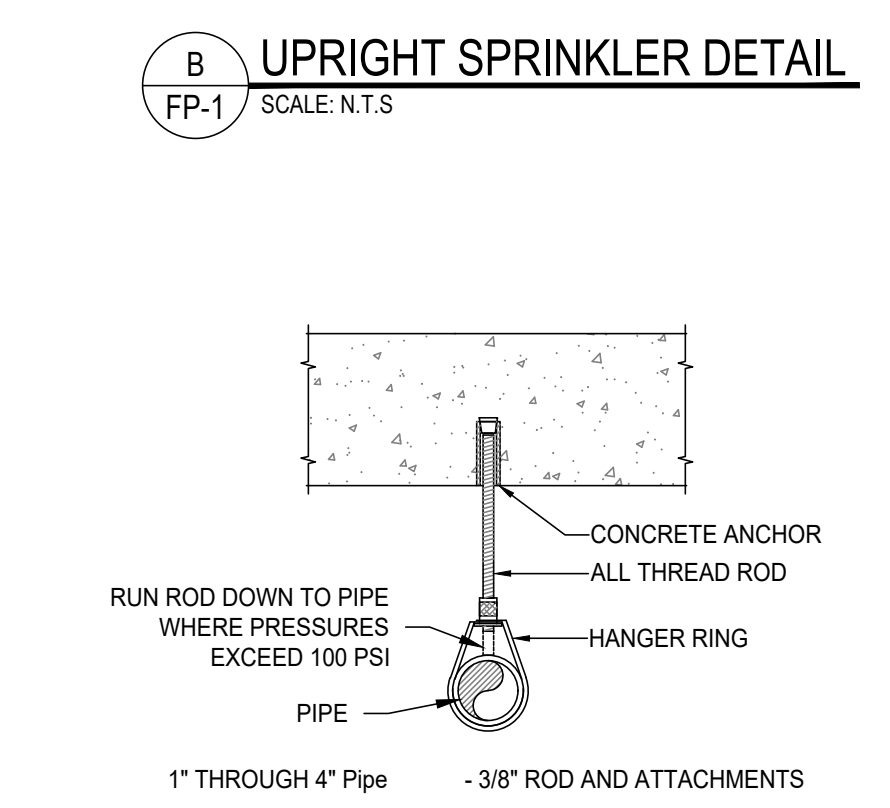
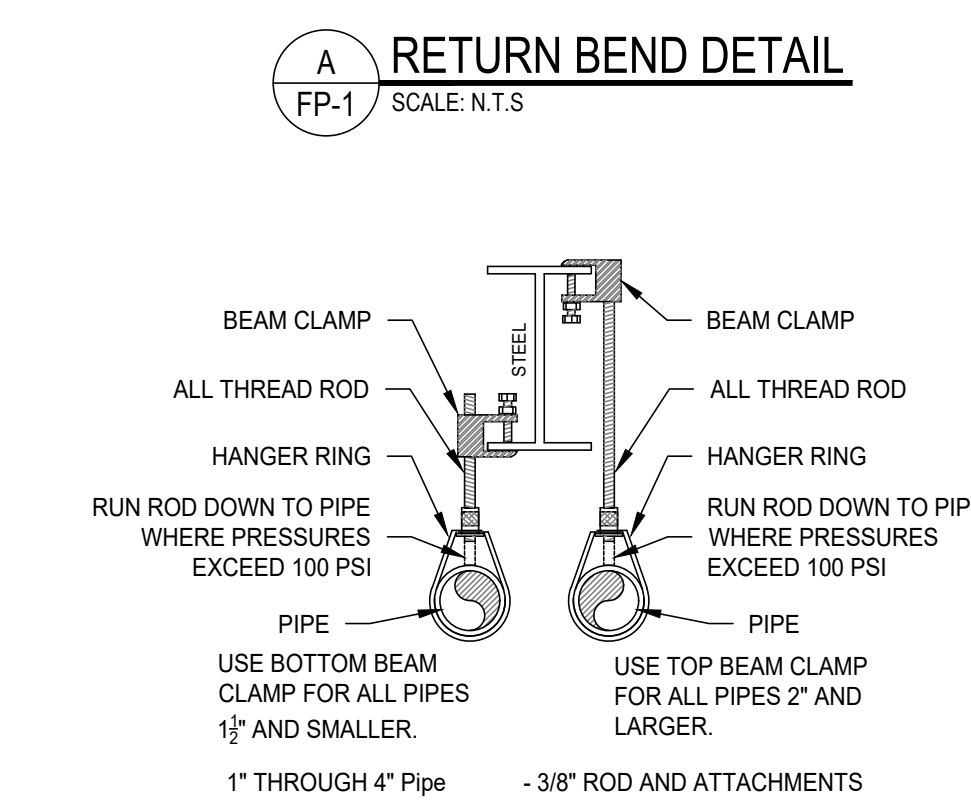
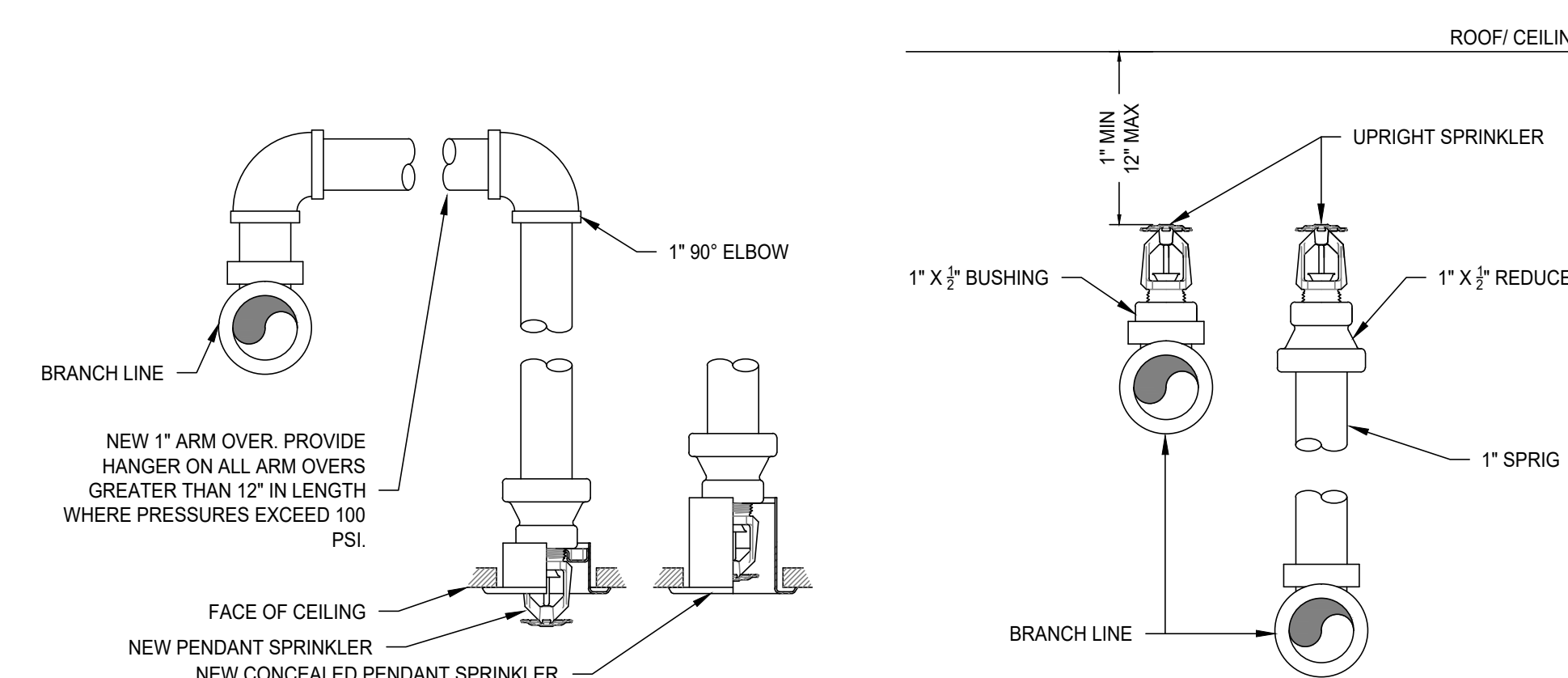
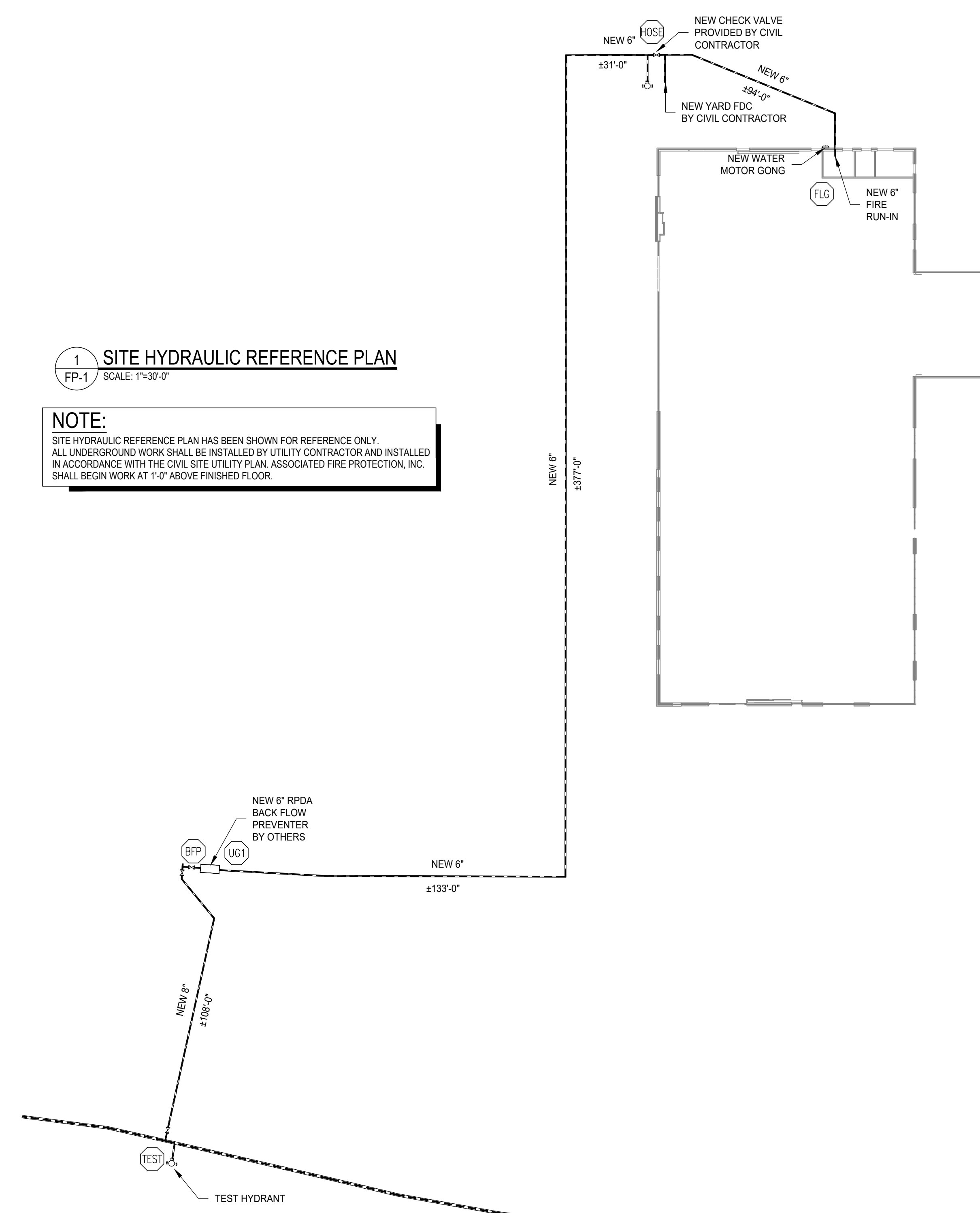
PROJECT:
 CAPE FEAR MOB TI
 225 BRIGHTWATER DRIVE
 LILLINGTON, NC

This fire sprinkler planning and design drawing has been prepared by AFP as a licensed fire sprinkler contractor under Article 2 of Chapter 87 of the General Statutes for AFP's exclusive use pursuant to G.S. § 89C-2(a)(6), and AFP must perform any and all installation work and other work performed in reliance on this drawing pursuant to G.S. § 55B-15(a)(2). Installation work or any other work performed by any other person or entity in reliance on this drawing or any copy thereof is strictly prohibited.
 © 2023 Associated Fire Protection, Inc.

Date: 23.11.20
 Scale: As Noted
 Job No.: EDW-1588
 Drawn By: WLH
 Sheet Name: NOTES AND DETAILS
 Sheet No.: FP-1

1 SITE HYDRAULIC REFERENCE PLAN

NOTE:
 SITE HYDRAULIC REFERENCE PLAN HAS BEEN SHOWN FOR REFERENCE ONLY. ALL UNDERGROUND WORK SHALL BE INSTALLED BY UTILITY CONTRACTOR AND INSTALLED IN ACCORDANCE WITH THE CIVIL SITE UTILITY PLAN. ASSOCIATED FIRE PROTECTION, INC. SHALL BEGIN WORK AT 1'-0" ABOVE FINISHED FLOOR.



FLEXIBLE SPRINKLER CONNECTION

TOTAL EQUIVALENT LENGTH ALLOWED (PER HYD. CALC.) 85 FEET

SUMMARY OF ITEMS TO DETERMINE EQUIVALENT LENGTH OF 1" PIPE

60" FLEXIBLE CONNECTION	72 FEET
STANDARD 1" 90 DEG. ELBOW	2 FEET
STANDARD 1" STRAIGHT TEE	5 FEET
4'-0" OF 1" SCH. 40 PIPE	4 FOOT

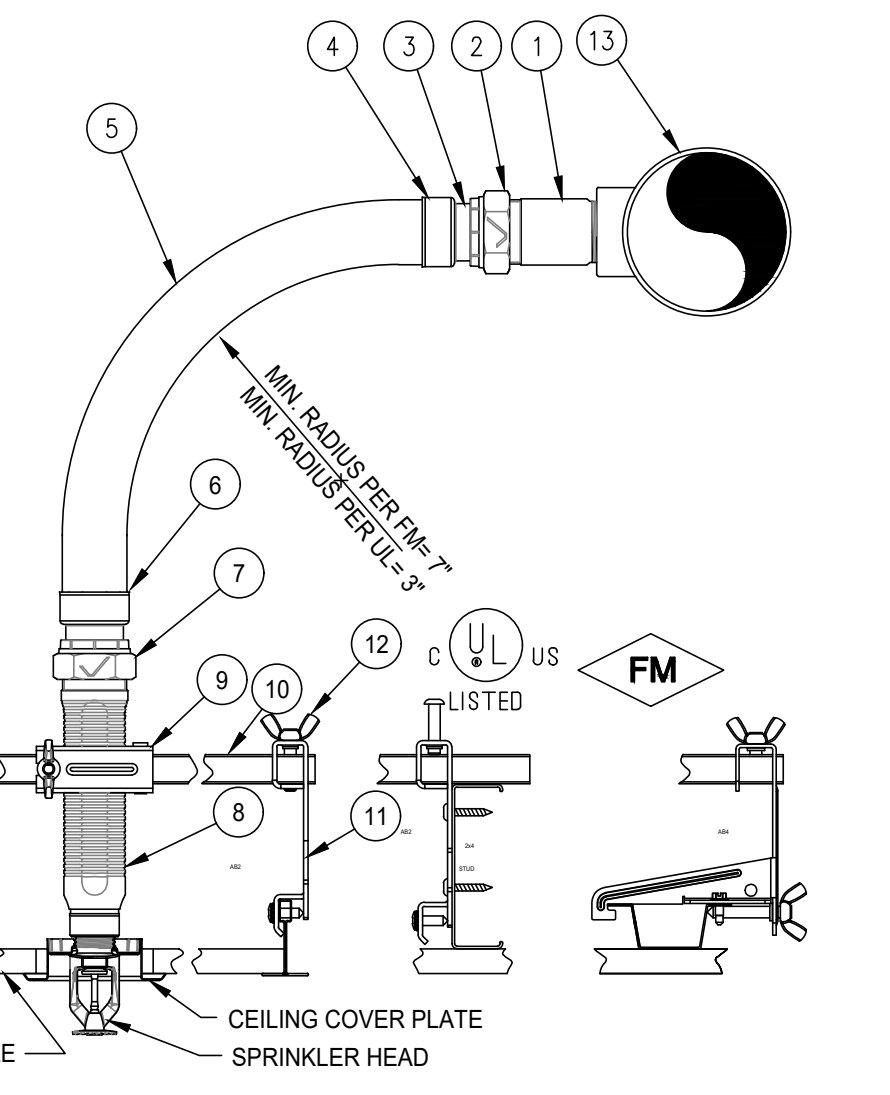
PRODUCT LEGEND

- INLET NIPPLE (1" MPT)
- NUT
- ISOLATION RING
- COLLAR (WELD FITTING)
- AH-1 STAINLESS STEEL FLEXIBLE BRAIDED HOSE (1" NOMINAL DIAMETER) (LENGTHS AVAILABLE 31', 36', 48', 60', & 72')
- COLLAR (WELD FITTING)
- NUT
- REDUCING OUTLET (AVAILABLE 1/2" OR 3/4" FMPF)
- CENTER BRACKET ASSEMBLY
- SQUARE BAR (AVAILABLE IN 24" AND 48" LENGTHS)
- END BRACKET ASSEMBLY
- WING NUT OR SHEET METAL SCREW
- 1" OUTLET (SEE VICTAULIC SUBMITTAL NUMBER 10 95)

VICFLEX AH1 BRAIDED HOSE FRICTION LOSS DATA

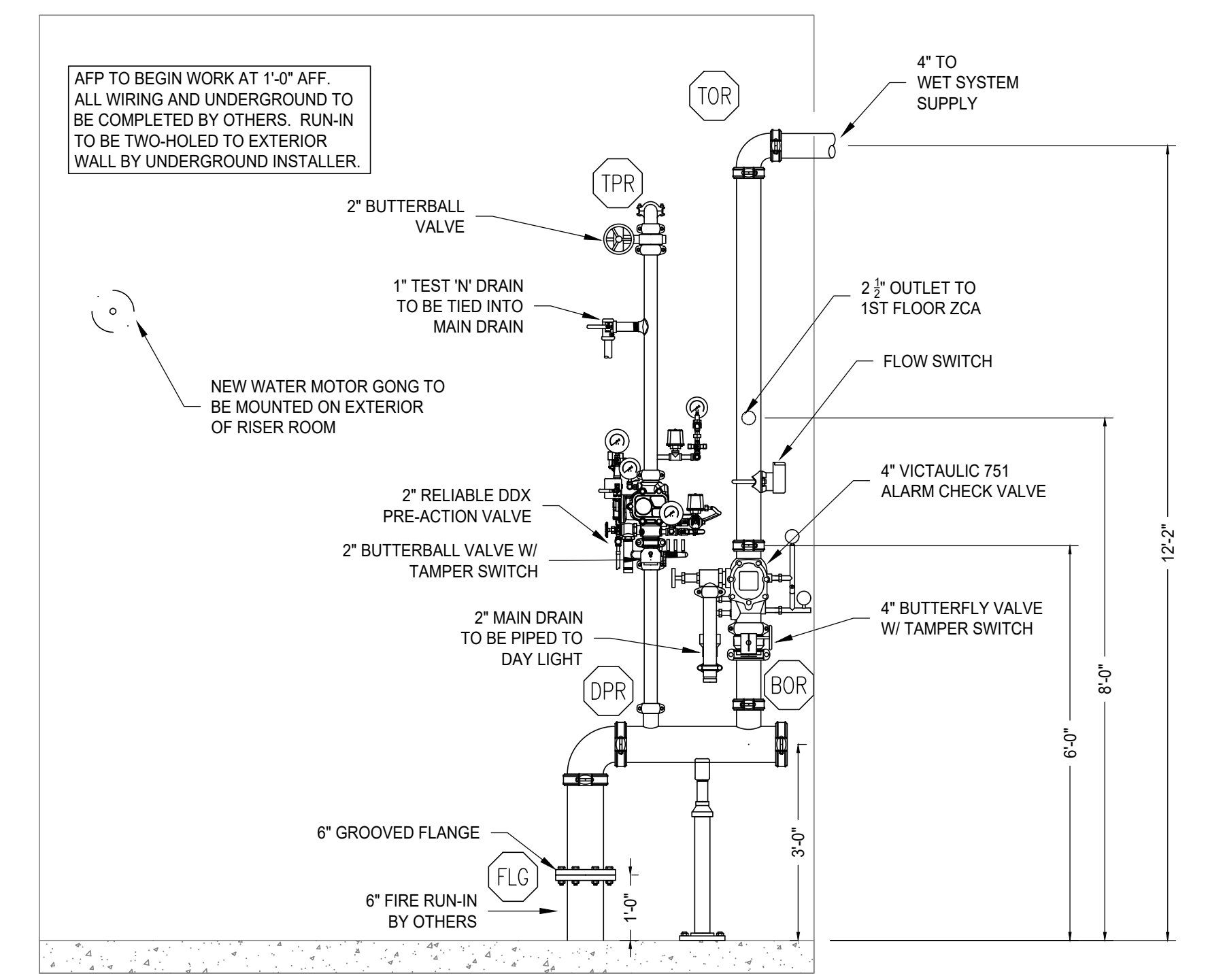
LENGTH	OUTLET CONNECTIONS	MAX # BENDS (UL)	EQUIV. LENGTH OF 1" SCHED 40 PIPE, FT. (UL)
20'	1	1	20
25'	1	1	25
30'	1	1	30
35'	1	1	35
40'	1	1	40
45'	1	1	45
50'	1	1	50
55'	1	1	55
60'	1	1	60
65'	1	1	65
70'	1	1	70
75'	1	1	75
80'	1	1	80
85'	1	1	85
90'	1	1	90

NOTES:
 1 REFER TO VICTAULIC SUBMITTAL 10 95 FOR ADDITIONAL DETAILS.



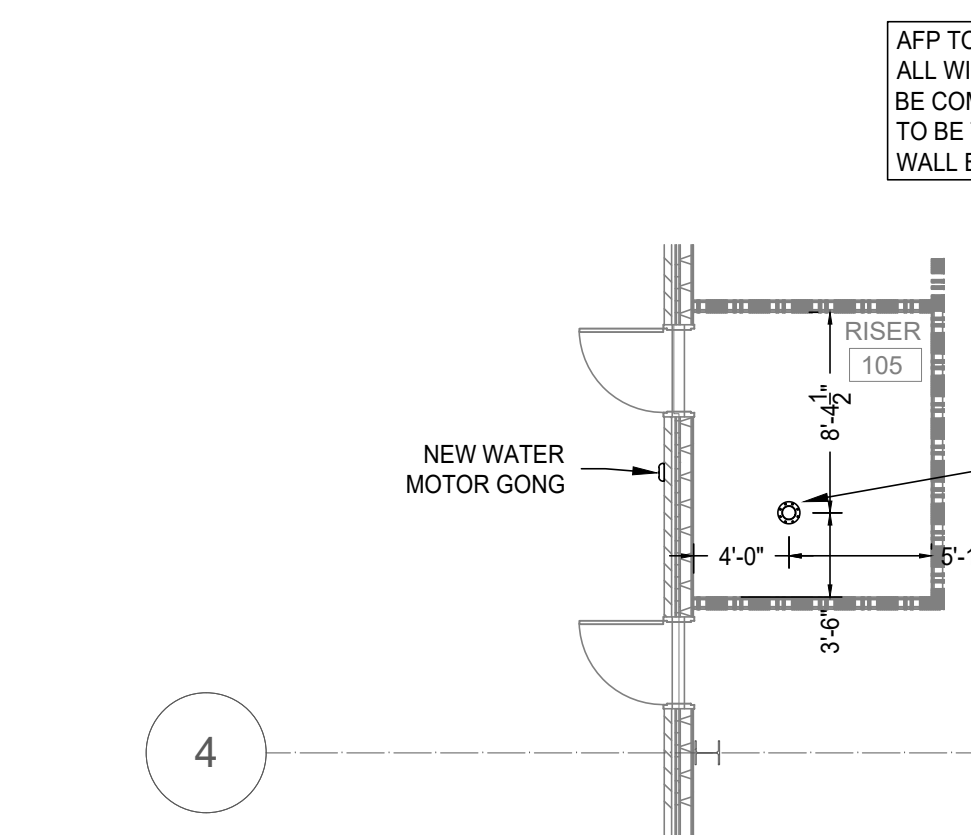
E VICFLEX AH1 FLEXIBLE SPRINKLER DROP DETAIL

SCALE: N.T.S.



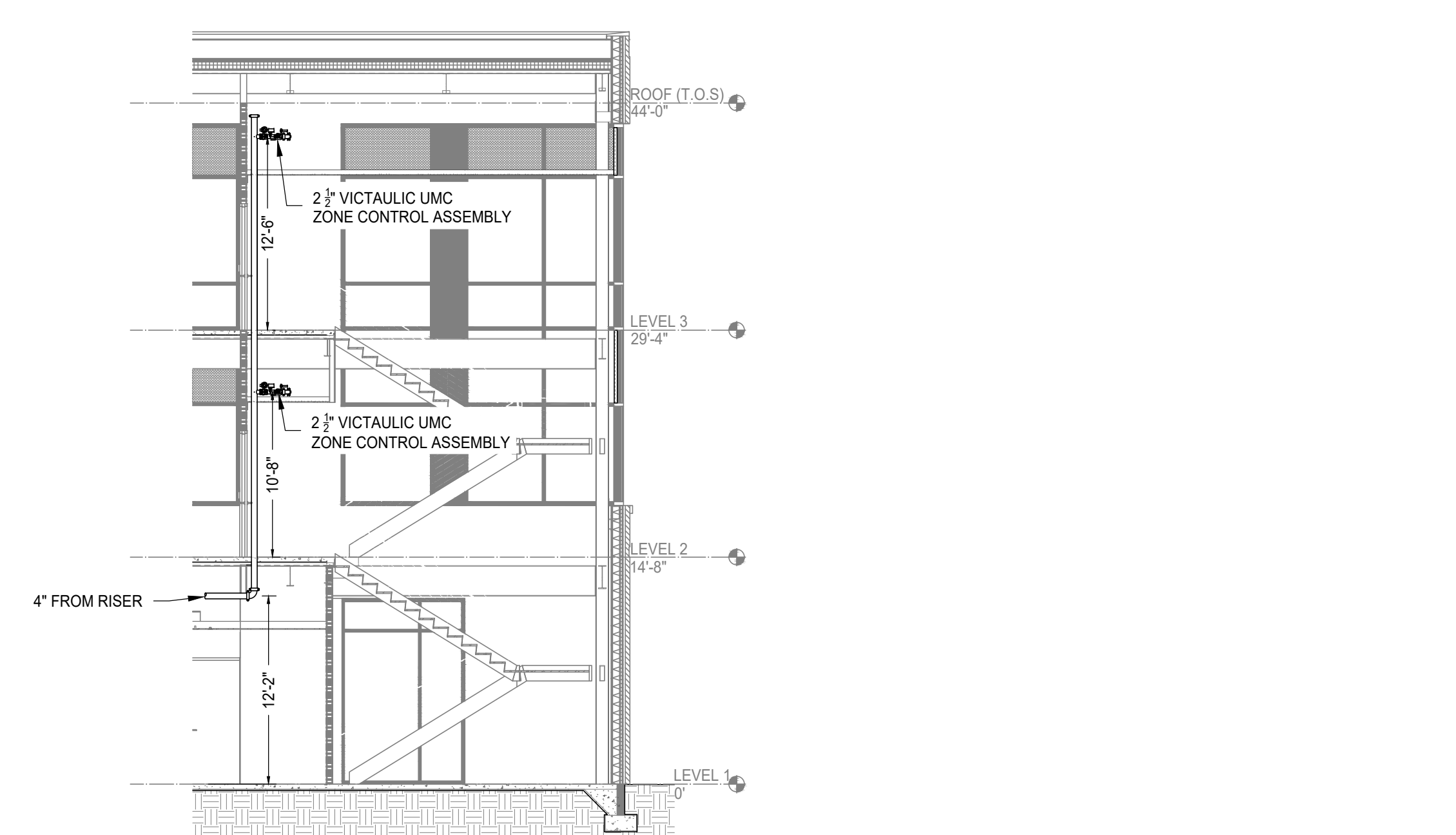
2 RISER DETAIL

SCALE: 1/2"=1'-0"



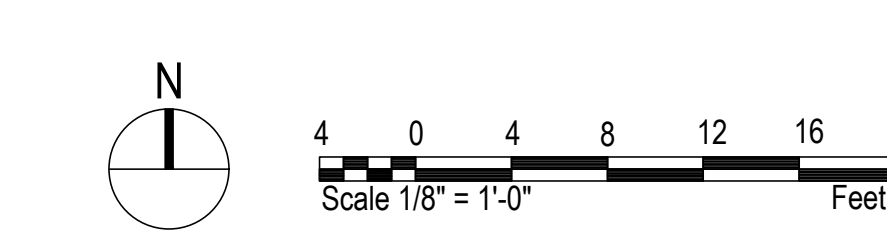
3 FIRE RUN-IN DETAIL

SCALE: 1/8"=1'-0"



4 STANDPIPE DETAIL

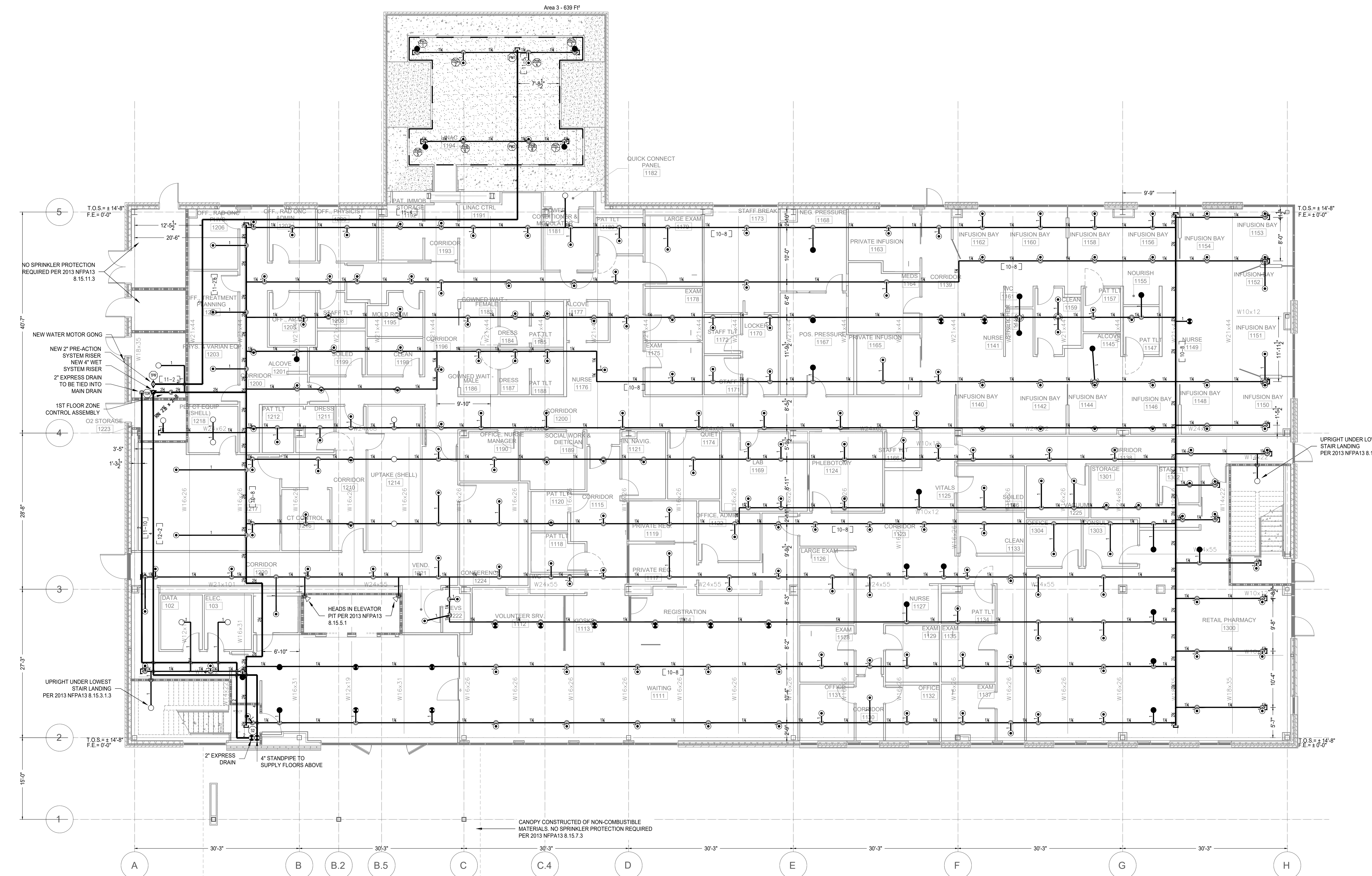
SCALE: 1/8"=1'-0"



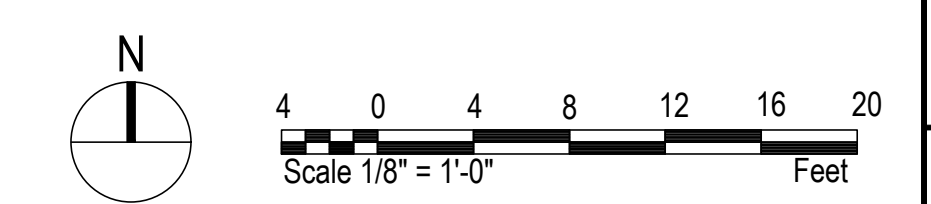
REVISIONS	
No.	Date-Description
1	
2	
3	
4	
5	
6	
7	

SYSTEM SYMBOL DESCRIPTION	
SYMBOL	DESCRIPTION
△	FIRE DEPARTMENT CONNECTION
▽	HYDRAULIC REFERENCE POINT
○	CENTERLINE OF PIPE ABOVE FINISH FLOOR
□	CENTERLINE OF PIPE BELOW TOP OF STEEL

SPRINKLER SYMBOL DESCRIPTION		TOTAL	
SYMBOL	S.I.N.#	TEMP	K-FACTOR
○	TY223	155 F	5.6
○	TY313	155 F	5.6
○	V3802	155 F	5.6
○	V3802	155 F	5.6
○	V2710	200 F	5.6
TOTAL SPRINKLERS SHOWN IN THIS AREA			268
TOTAL SPRINKLERS REQUIRED ON THIS CONTRACT			667



1 FIRST FLOOR PIPING PLAN
FP-2
 SCALE: 1/8"=1'-0"
 NOTE: ALL WALLS SURROUNDING AREAS OPEN TO DECK EXTEND TO DECK PER ARCHITECTURALS UNLESS NOTED OTHERWISE.
 STANDARD ROOM CEILING HEIGHT, UNO:
 A. TYP. CORRIDOR 10'-0"
 B. EXAM / PATIENT ROOM 9'-0"
 C. ROOMS W/ EXT WINDOW 10'-0"
 D. TOILET ROOMS 8'-6"
 E. STORAGE ROOMS 9'-0"
 F. CORRIDOR BULKHEADS 9'-6"



Seal:

 Andrew King, NICET Level III #152401

PROJECT:
CAPE FEAR MOB TI
 225 BRIGHTWATER DRIVE
 LILLINGTON, NC

This fire sprinkler planning and design drawing has been prepared by AFP as a licensed fire sprinkler contractor under Article 2 of Chapter 87 of the General Statutes for AFP's exclusive use pursuant to G.S. § 89C-26(i), and AFP must perform any and all installation work and other work performed in reliance on this drawing pursuant to G.S. § 55B-15(a)(2). Installation work or any other work performed by any other person or entity in reliance on this drawing or any copy thereof is strictly prohibited.
 © 2023 Associated Fire Protection, Inc.

Date: 23.11.20
 Scale: As Noted
 Job No.: EDW-1588
 Drawn By: WLH
 Sheet Name: FIRST FLOOR PIPING PLAN
 Sheet No.: FP-2

REVISIONS	
No.	Date-Description
1	
2	
3	
4	
5	
6	
7	

SYSTEM SYMBOL DESCRIPTION	
SYMBOL	DESCRIPTION
	FIRE DEPARTMENT CONNECTION
	HYDRAULIC REFERENCE POINT
	CENTERLINE OF PIPE ABOVE FINISH FLOOR
	CENTERLINE OF PIPE BELOW TOP OF STEEL

SPRINKLER SYMBOL DESCRIPTION		TOTAL	
SYMBOL	S.I.N.#	TEMP	K-FACTOR
	TY233	155 F	5.6
	TY313	155 F	5.6
	V3802	155 F	5.6
	V3802	155 F	5.6
	V7710	200 F	5.6
TOTAL SPRINKLERS SHOWN IN THIS AREA			234
TOTAL SPRINKLERS REQUIRED ON THIS CONTRACT			687

Seal:

Andrew King, NICET Level III #152401

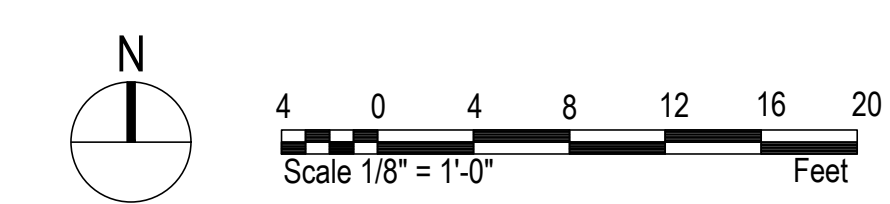
PROJECT:
CAPE FEAR MOB TI
225 BRIGHTWATER DRIVE
LILLINGTON, NC

This fire sprinkler planning and design drawing has been prepared by AFP as a licensed fire sprinkler contractor under Article 2 of Chapter 87 of the General Statutes for AFP's exclusive use pursuant to G.S. § 89C-26(6), and AFP must perform any and all installation work and other work performed in reliance on this drawing pursuant to G.S. § 55B-15(a)(2). Installation work or any other work performed by any other person or entity in reliance on this drawing or any copy thereof is strictly prohibited.
© 2023 Associated Fire Protection, Inc.

Date:	23.11.20
Scale:	As Noted
Job No.:	EDW-1588
Drawn By:	WLH
Sheet Name:	SECOND FLOOR PIPING PLAN
Sheet No.:	FP-3



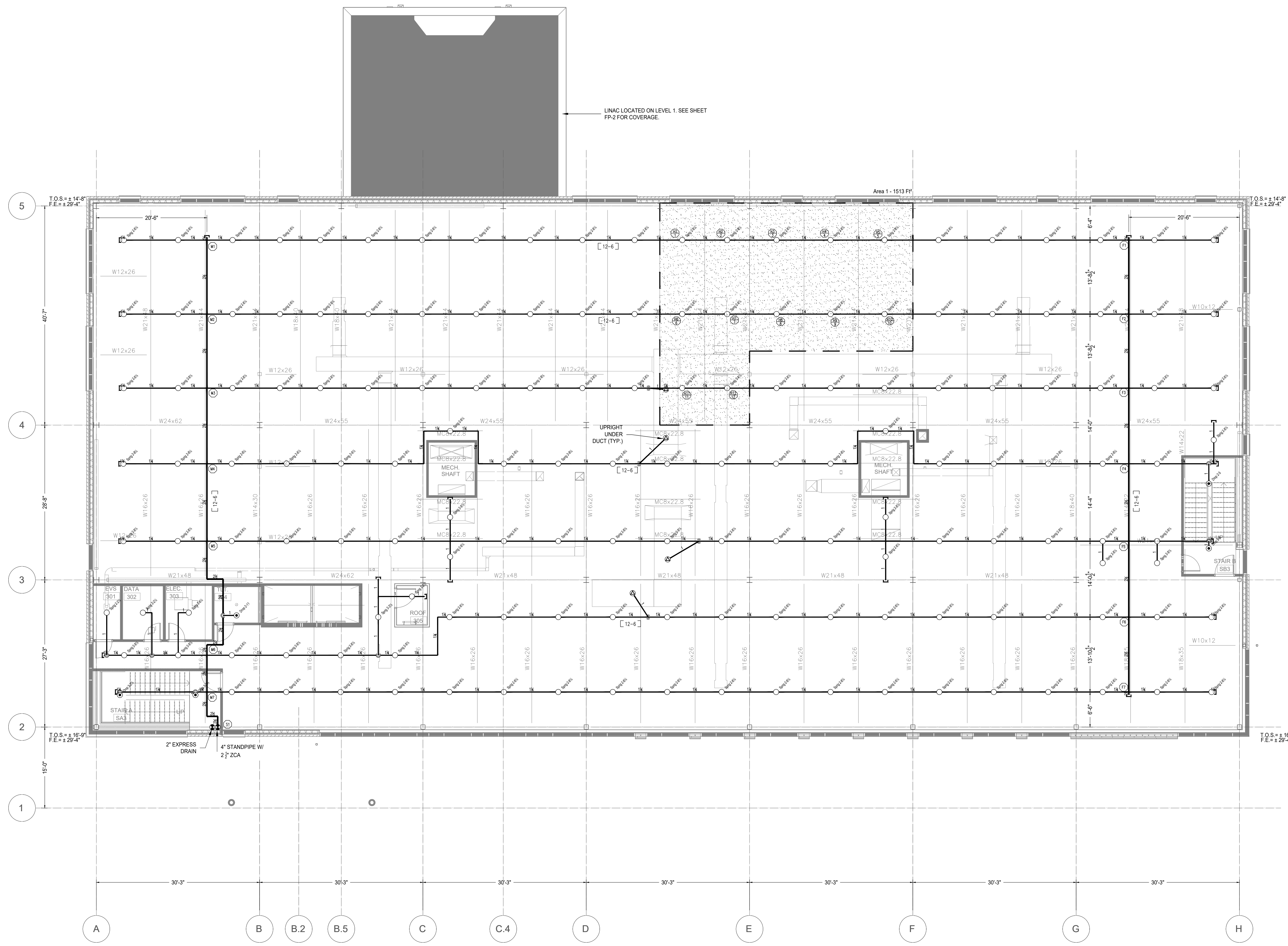
1 SECOND FLOOR PIPING PLAN
FP-3
SCALE: 1/8"=1'-0"
NOTE: ALL WALLS SURROUNDING AREAS OPEN TO DECK PER ARCHITECTURALS UNLESS NOTED OTHERWISE!
STANDARD ROOM CEILING HEIGHT, UNO:
A. TYP. CORRIDOR 10'-0"
B. EXAM / PATIENT ROOM 9'-0"
C. ROOMS W/ EXT WINDOW 10'-0"
D. TOILET ROOMS 8'-6"
E. STORAGE ROOMS 9'-0"
F. CORRIDOR BULKHEADS 9'-6"



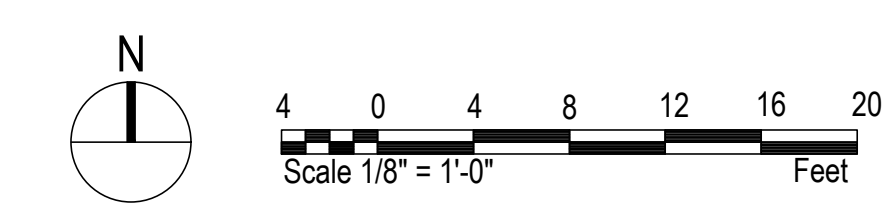
REVISIONS	
No.	Date-Description
1	
2	
3	
4	
5	
6	
7	

SYSTEM SYMBOL DESCRIPTION	
SYMBOL	DESCRIPTION
⊠	FIRE DEPARTMENT CONNECTION
⊞	HYDRAULIC REFERENCE POINT
⊞	CENTERLINE OF PIPE ABOVE FINISH FLOOR
⊞	CENTERLINE OF PIPE BELOW TOP OF STEEL

SPRINKLER SYMBOL DESCRIPTION										
SYMBOL	S.I.N.#	SIZE	STYLE	MAKE	FINISH	MODEL	MIN. SPACING	MAX. SPACING	TEMP.	K-FACTOR
⊙	TY223	1/2"	ISORCP	Typ	WHITE	Pendant	6'-0"	15'-0"	155 F	5.6
⊙	TY313	1/2"	ISQRU	Typ	BRASS	Upright	6'-0"	15'-0"	155 F	5.6
⊙	V3802	1/2"	ISORCP	Victaulic	BLACK	Concealed	6'-0"	15'-0"	155 F	5.6
⊙	V3802	1/2"	ISORCP	Victaulic	WHITE	Concealed	6'-0"	15'-0"	155 F	5.6
⊙	V7710	1/2"	ISQRIS	Victaulic	BRASS	Sidewall	6'-0"	15'-0"	200 F	5.6
TOTAL SPRINKLERS SHOWN IN THIS AREA										105
TOTAL SPRINKLERS REQUIRED ON THIS CONTRACT										627



1 THIRD FLOOR PIPING PLAN
 FP-4
 SCALE: 1/8"=1'-0"
 NOTE: ALL WALLS SURROUNDING AREAS OPEN TO DECK EXTEND TO DECK PER ARCHITECTURALS UNLESS NOTED OTHERWISE.
 STANDARD ROOM CEILING HEIGHT, UNO:
 A. TYP. CORRIDOR 10'-0"
 B. EXAM / PATIENT ROOM 9'-0"
 C. ROOMS W/ EXT WINDOW 10'-0"
 D. TOILET ROOMS 8'-6"
 E. STORAGE ROOMS 9'-0"
 F. CORRIDOR BULKHEADS 9'-6"



Seal:

 Andrew King, NICET Level III #152401

PROJECT:
 CAPE FEAR MOB TI
 225 BRIGHTWATER DRIVE
 LILLINGTON, NC


This fire sprinkler planning and design drawing has been prepared by AFP as a licensed fire sprinkler contractor under Article 2 of Chapter 87 of the General Statutes for AFP's exclusive use pursuant to G.S. § 89C-26(a), and AFP must perform any and all installation work and other work performed in reliance on this drawing pursuant to G.S. § 55B-15(a)(2). Installation work or any other work performed by any other person or entity in reliance on this drawing or any copy thereof is strictly prohibited.
 © 2023 Associated Fire Protection, Inc.

Date:	23.11.20
Scale:	As Noted
Job No.:	EDW-1588
Drawn By:	WLH
Sheet Name:	THIRD FLOOR PIPING PLAN
Sheet No.:	FP-4

REVISIONS	
No.	Date-Description
1	
2	
3	
4	
5	
6	
7	

SYSTEM SYMBOL DESCRIPTION	
SYMBOL	DESCRIPTION
⊠	FIRE DEPARTMENT CONNECTION
⊞	HYDRAULIC REFERENCE POINT
⊞	CENTERLINE OF PIPE ABOVE FINISH FLOOR
⊞	CENTERLINE OF PIPE BELOW TOP OF STEEL

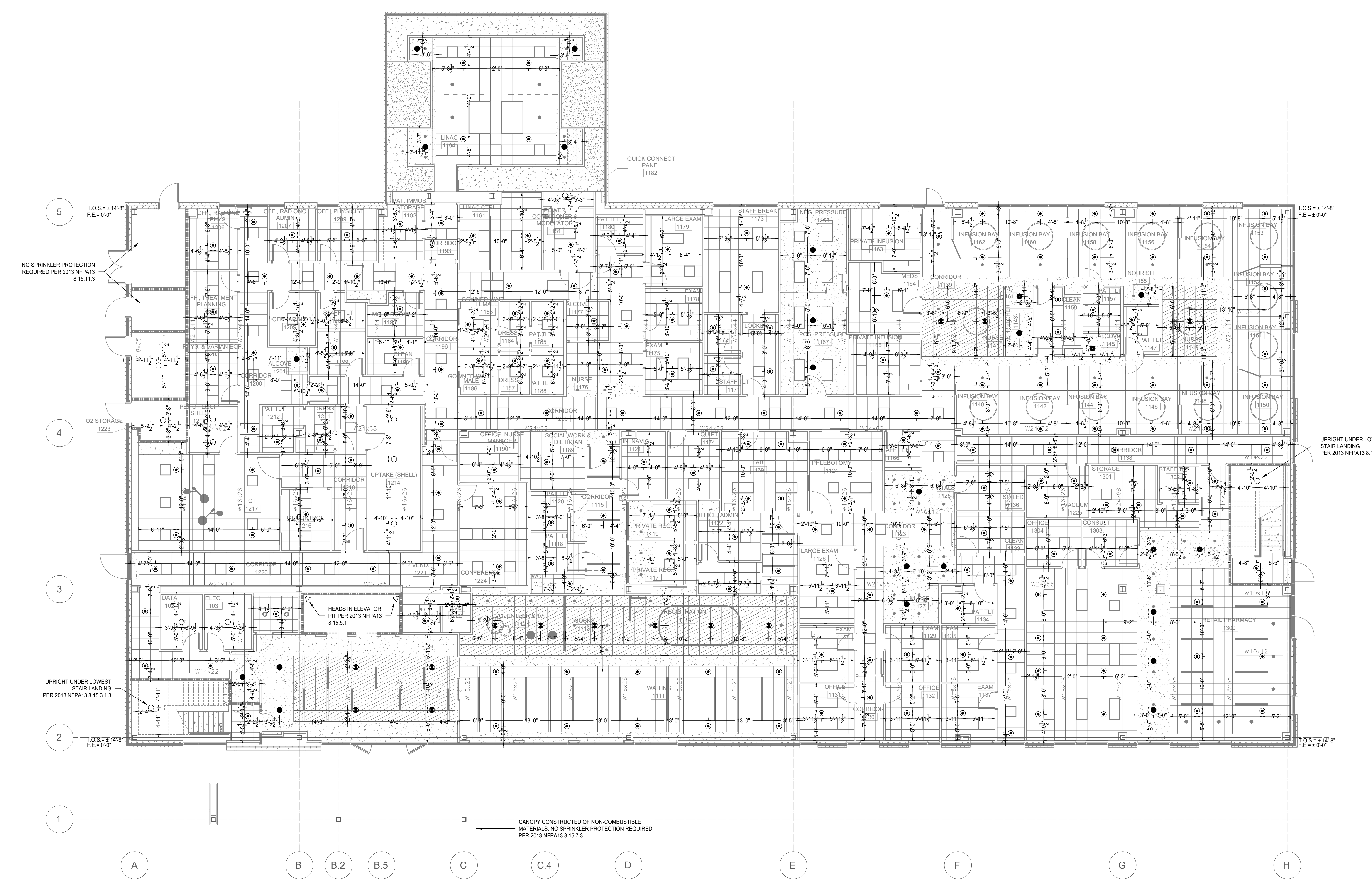
SYMBOL	S.I.N.#	SIZE	STYLE	MAKE	FINISH	MODEL	SPRINKLER SYMBOL DESCRIPTION		TEMP	K-FACTOR	TOTAL
							MIN. SPACING	MAX. SPACING			
⊞	TY233	1/2"	ISSORCP	Typo	WHITE	Pendent	6'-0"	15'-0"	155 F	5.6	207
⊞	TY313	1/2"	ISSORCP	Typo	BRASS	Upright	6'-0"	15'-0"	155 F	5.6	12
⊞	V3802	1/2"	ISSORCP	Victaulic	BLACK	Concealed	6'-0"	15'-0"	155 F	5.6	13
⊞	V3802	1/2"	ISSORCP	Victaulic	WHITE	Concealed	6'-0"	15'-0"	155 F	5.6	24
⊞	V2710	1/2"	ISSORCP	Victaulic	BRASS	Sidewall	6'-0"	15'-0"	200 F	5.6	2
										TOTAL SPRINKLERS SHOWN IN THIS AREA	257
										TOTAL SPRINKLERS REQUIRED ON THIS CONTRACT	657

Seal:

 Andrew King, NICET Level III #152401

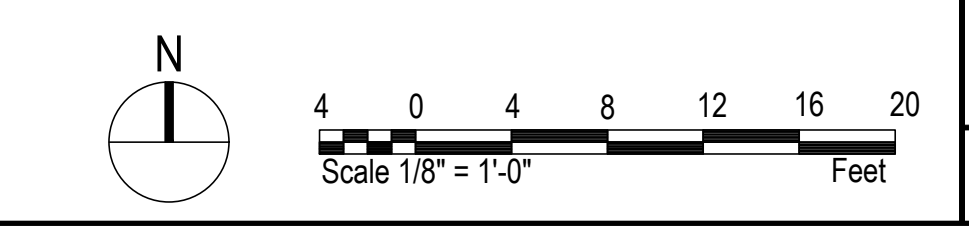
PROJECT:
CAPE FEAR MOB TI
 225 BRIGHTWATER DRIVE
 LILLINGTON, NC

This fire sprinkler planning and design drawing has been prepared by AFP as a licensed fire sprinkler contractor under Article 2 of Chapter 87 of the General Statutes for AFP's exclusive use pursuant to G.S. § 89C-26(i), and AFP must perform any and all installation work and other work performed in reliance on this drawing pursuant to G.S. § 55B-15(a)(2). Installation work or any other work performed by any other person or entity in reliance on this drawing or any copy thereof is strictly prohibited.
 © 2023 Associated Fire Protection, Inc.

Date: 23.11.20
 Scale: As Noted
 Job No.: EDW-1588
 Drawn By: WLH
 Sheet Name: **FIRST FLOOR REFLECTED CEILING PLAN**
 Sheet No.: **FP-5**



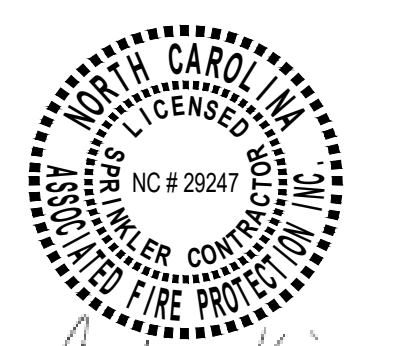
1 FIRST FLOOR REFLECTED CEILING PLAN
 FP-5
 SCALE: 1/8"=1'-0"
 NOTE: ALL WALLS SURROUNDING AREAS OPEN TO DECK EXTEND TO DECK PER ARCHITECTURALS UNLESS NOTED OTHERWISE.
 STANDARD ROOM CEILING HEIGHT, UNO:
 A. TYP. CORRIDOR 10'-0"
 B. EXAM / PATIENT ROOM 9'-0"
 C. ROOMS W/ EXT WINDOW 10'-0"
 D. TOILET ROOMS 8'-6"
 E. STORAGE ROOMS 9'-0"
 F. CORRIDOR BULKHEADS 9'-6"



REVISIONS	
No.	Date-Description
1	
2	
3	
4	
5	
6	
7	

SYSTEM SYMBOL DESCRIPTION	
SYMBOL	DESCRIPTION
FD	FIRE DEPARTMENT CONNECTION
(H)	HYDRAULIC REFERENCE POINT
[7'-7]	CENTERLINE OF PIPE ABOVE FINISH FLOOR
[7' 8]	CENTERLINE OF PIPE BELOW TOP OF STEEL

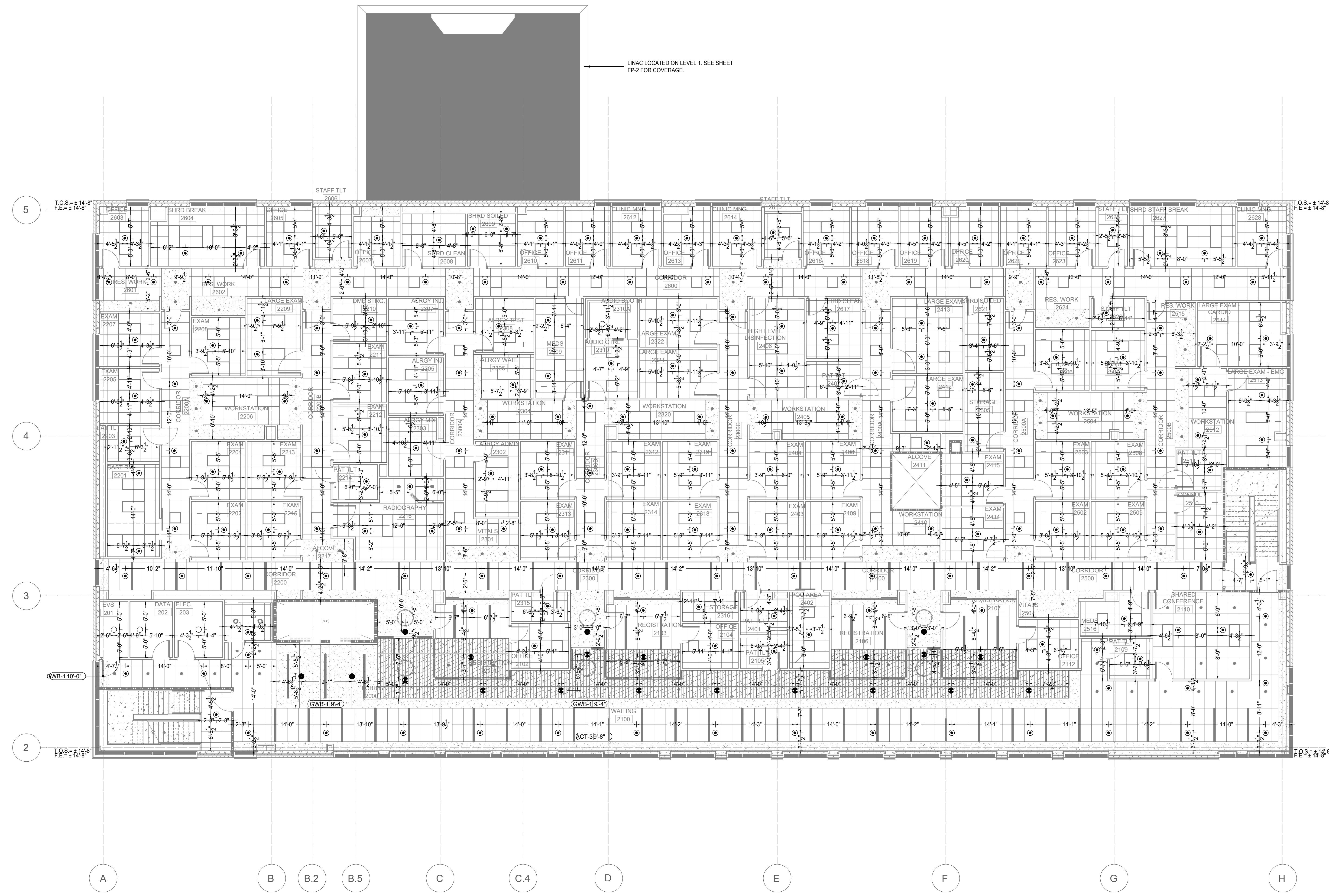
SPRINKLER SYMBOL DESCRIPTION		TOTAL	
SYMBOL	S.I.N.#	TEMP	K-FACTOR
○	TY223	155 F	5.6
○	TY313	155 F	5.6
○	V3802	155 F	5.6
○	V3802	155 F	5.6
○	V7710	200 F	5.6
TOTAL SPRINKLERS SHOWN IN THIS AREA		234	627
TOTAL SPRINKLERS REQUIRED ON THIS CONTRACT			

Seal:

 Andrew King, NICET Level III #152401

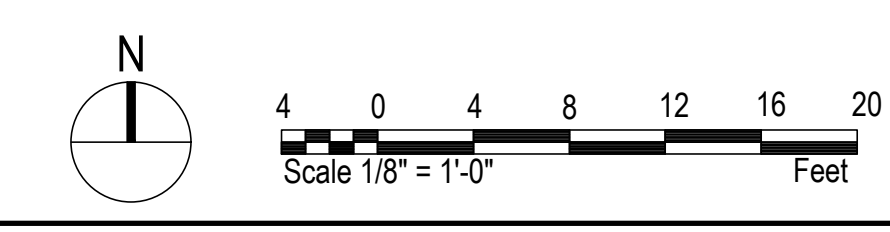
PROJECT:
CAPE FEAR MOB TI
 225 BRIGHTWATER DRIVE
 LILLINGTON, NC

This fire sprinkler planning and design drawing has been prepared by AFP as a licensed fire sprinkler contractor under Article 2 of Chapter 87 of the General Statutes for AFP's exclusive use pursuant to G.S. § 85C-26(i), and AFP must perform any and all installation work and other work performed in reliance on this drawing pursuant to G.S. § 55B-15(a)(2). Installation work or any other work performed by any other person or entity in reliance on this drawing or any copy thereof is strictly prohibited.
 © 2023 Associated Fire Protection, Inc.

Date: 23.11.20
 Scale: As Noted
 Job No.: EDW-1588
 Drawn By: WLH
 Sheet Name:
SECOND FLOOR REFLECTED CEILING PLAN
 Sheet No.: FP-6



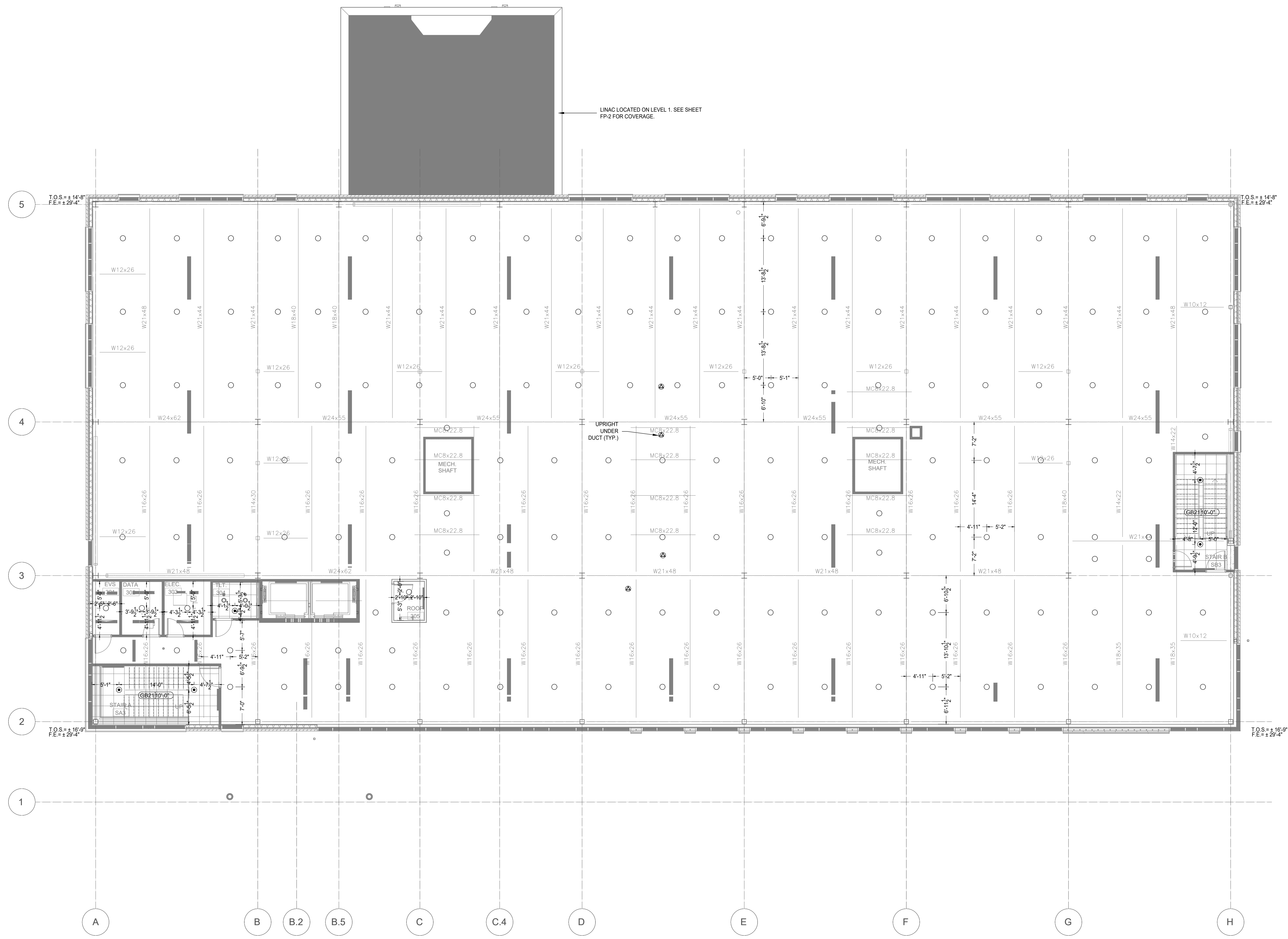
1 SECOND FLOOR REFLECTED CEILING PLAN
 SCALE: 1/8"=1'-0"
 NOTE: ALL WALLS SURROUNDING AREAS OPEN TO DECK EXTEND TO DECK PER ARCHITECTURALS UNLESS NOTED OTHERWISE.
 STANDARD ROOM CEILING HEIGHT, UNO:
 A. TYP. CORRIDOR 10'-0"
 B. EXAM / PATIENT ROOM 9'-0"
 C. ROOMS W/ EXT WINDOW 10'-0"
 D. TOILET ROOMS 8'-6"
 E. STORAGE ROOMS 9'-0"
 F. CORRIDOR BULKHEADS 9'-6"



REVISIONS	
No.	Date-Description
1	
2	
3	
4	
5	
6	
7	

SYSTEM SYMBOL DESCRIPTION	
SYMBOL	DESCRIPTION
	FIRE DEPARTMENT CONNECTION
	HYDRAULIC REFERENCE POINT
	CENTERLINE OF PIPE ABOVE FINISH FLOOR
	CENTERLINE OF PIPE BELOW TOP OF STEEL

SPRINKLER SYMBOL DESCRIPTION		MIN. SPACING	MAX. SPACING	TEMP.	K-FACTOR	TOTAL
SYMBOL	S.I.N.#					
	TY233	1/2"	15'-0"	155 F	5.6	5
	TY313	1/2"	15'-0"	155 F	5.6	100
	V3802	1/2"	15'-0"	155 F	5.6	0
	V3802	1/2"	15'-0"	155 F	5.6	0
	V7710	1/2"	15'-0"	200 F	5.6	0



1 THIRD FLOOR REFLECTED CEILING PLAN
SCALE: 1/8"=1'-0"
NOTE: ALL WALLS SURROUNDING AREAS OPEN TO DECK EXTEND TO DECK PER ARCHITECTURALS UNLESS NOTED OTHERWISE

Seal:

Andrew King, NICET Level III #152401

PROJECT:
CAPE FEAR MOB TI
225 BRIGHTWATER DRIVE
LILLINGTON, NC

This fire sprinkler planning and design drawing has been prepared by AFP as a licensed fire sprinkler contractor under Article 2 of Chapter 87 of the General Statutes for AFP's exclusive use pursuant to G.S. § 89C-26(i), and AFP must perform any and all installation work and other work performed in reliance on this drawing pursuant to G.S. § 55B-15(a)(2). Installation work or any other work performed by any other person or entity in reliance on this drawing or any copy thereof is strictly prohibited.
© 2023 Associated Fire Protection, Inc.

Date:	23.11.20
Scale:	As Noted
Job No.:	EDW-1588
Drawn By:	WLH
Sheet Name:	THIRD FLOOR REFLECTED CEILING PLAN
Sheet No.:	FP-7

