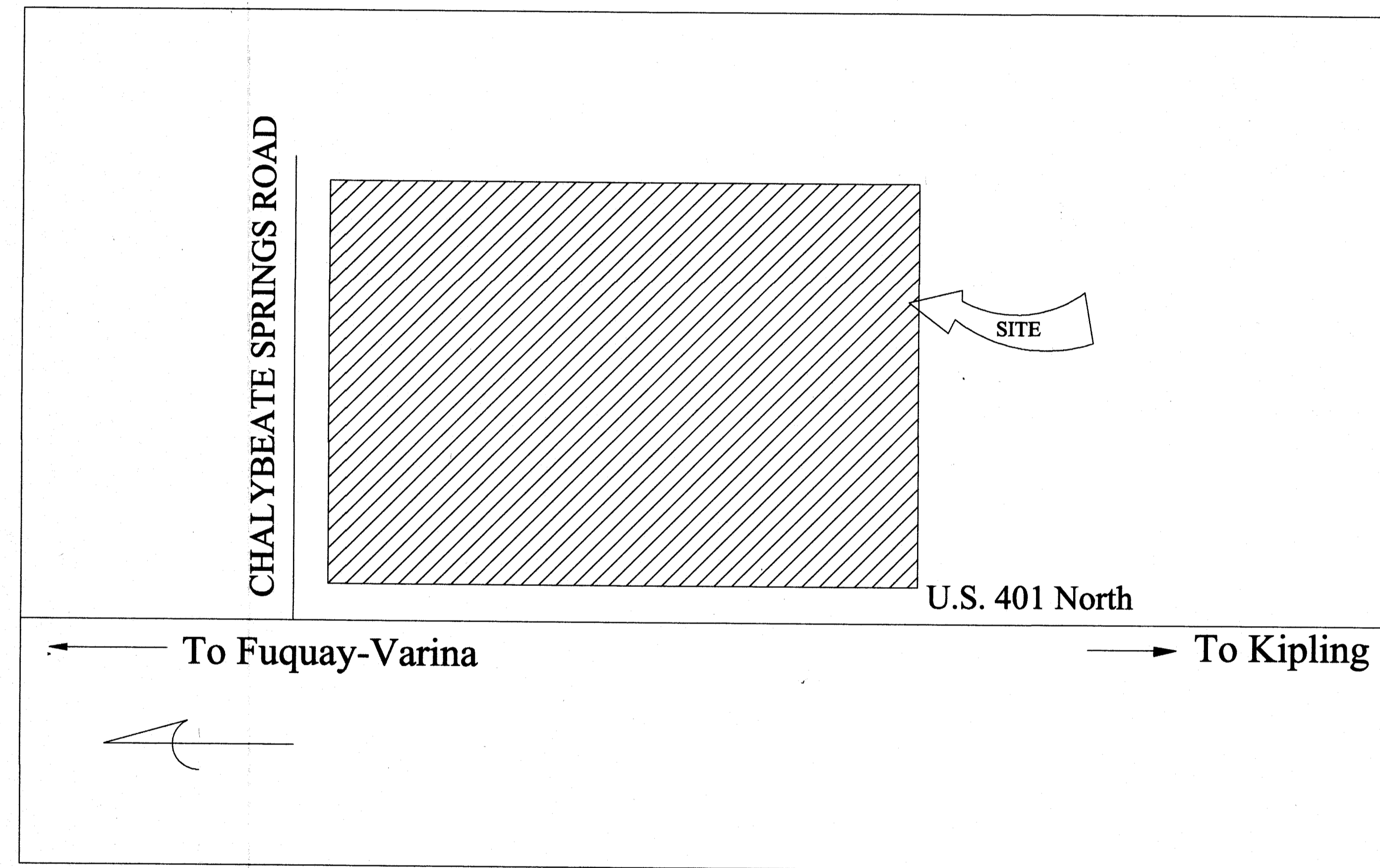


A NEW CHAMPS CONVENIENCE STORE
(8920)U.S. HWAY 401 NORTH
Fuquay-Varina, North Carolina 27526

Reviewed for Fire Code Compliance
 Harnett County
 Roger Sullivan
 03/13/2024 10:54:40 AM

CHAMPS CONVENIENCE STORE



VICINITY MAP

CONTENTS

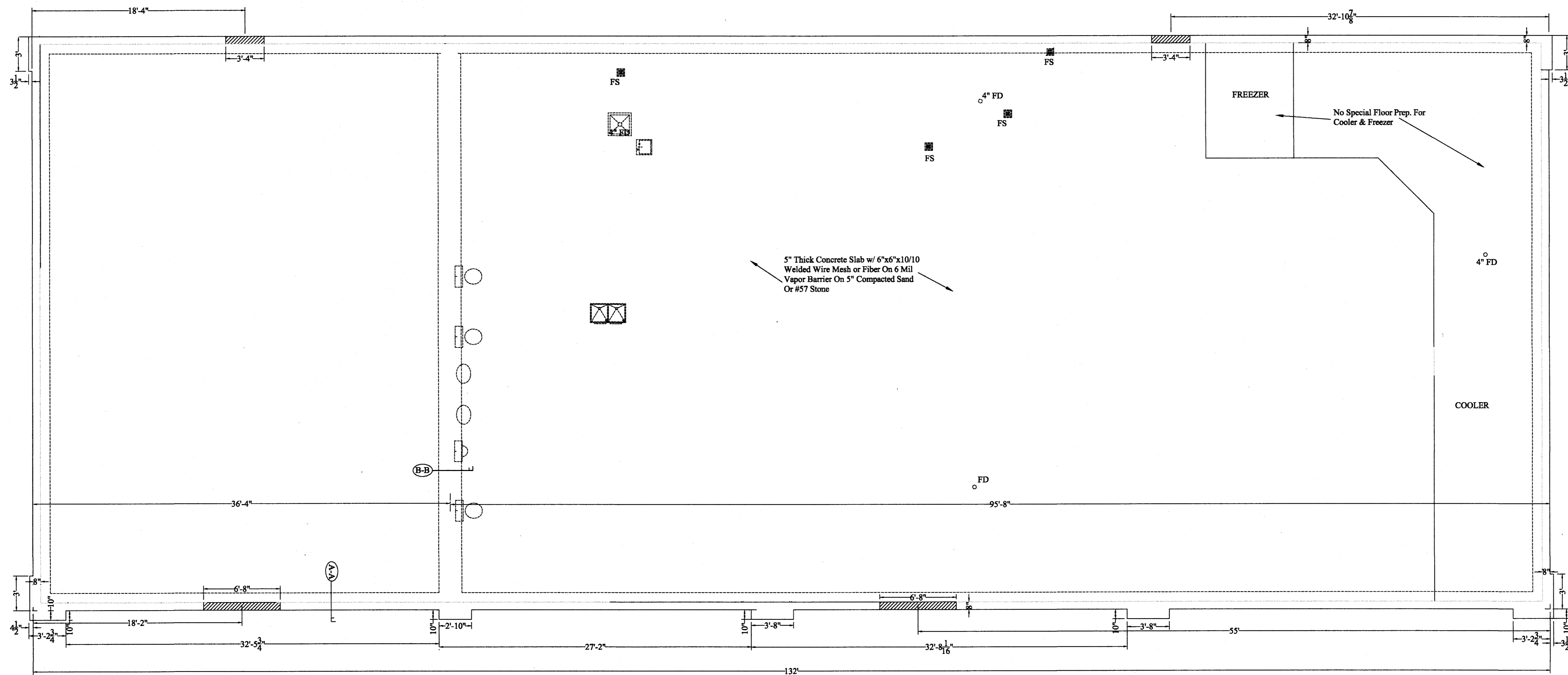
Sheet	Description
AB-1	Appendix "B"
S-1	Foundation Plan
G-1	Elevations
G-2	Floor Plan
G-3	Wall Sections & Details
G-4	Wall Sections
G-5	Room Finish Schedules
E-1	Electrical Power Plan
E-2	Electrical Lighting Plan
E-3	Electric Panels
M-1	HVAC Layout
M-2	Roof Top Layout
P-1	Plumbing Plan
LS-1	Life Safety Plan

OWNER:
 JAY AMBE SHAKTI, LLC
 2100 Weaver Forest Way
 Morrisville, NC 27560
 Phone: 910-980-6049
 E-Mail : kcp162Wgmail.com

ENGINEER:
 ROBERT J. BRACKEN, P.E.
 3768 CARBONTON ROAD
 SANFORD, NC 27330

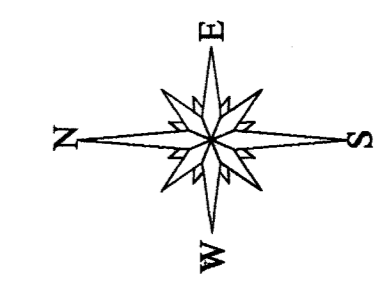
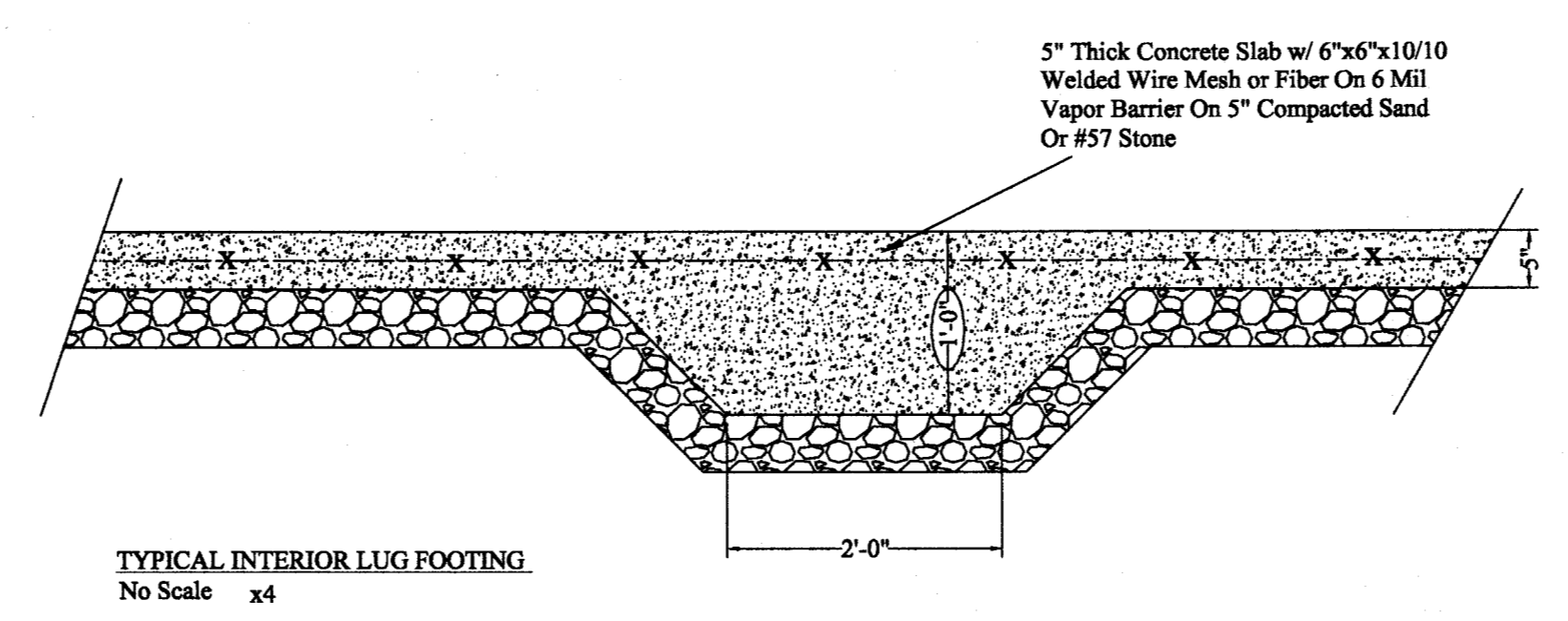
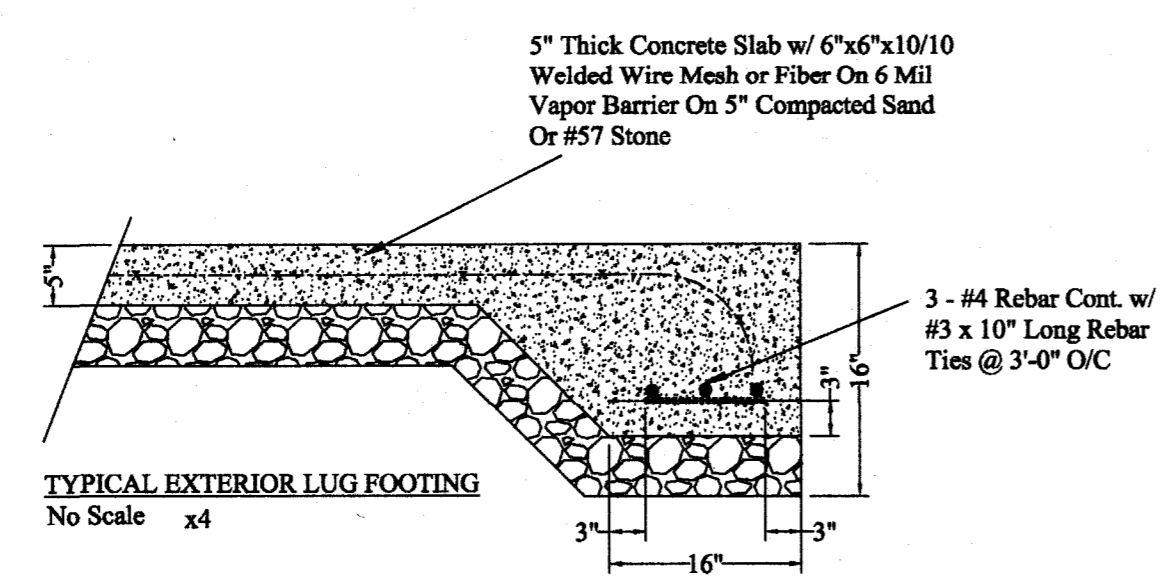
FOR CONSTRUCTION USE
 DESTROY ALL PREVIOUS COPIES
 Robert J Bracken 12/7/22
 ROBERT J BRACKEN, PE DATE

RECEIVED
 By Regency Construction at 2:41 pm, Feb 20, 2024



FOUNDATION PLAN
Scale: 3/16" = 1'-0"

NOTE: See Electrical Power Plan & Equipment Plan & Plumbing Plan To Verify Locations Of Plumbing & Electrical In Floor Slab.



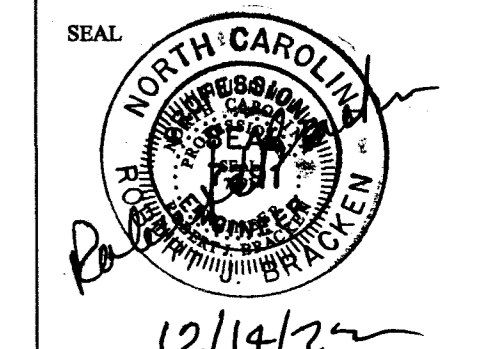
REVISIONS	
NO.	DATE

A NEW CHAMPS CONVENIENCE STORE
U.S. HWAY 401 NORTH
Fuquay-Varina, North Carolina 27526

RJB, PE, PA
C-0269
Robert J. Bracken
ENGINEERING • SURVEYING
3768 Carabonton Road • Sanford, NC 27330

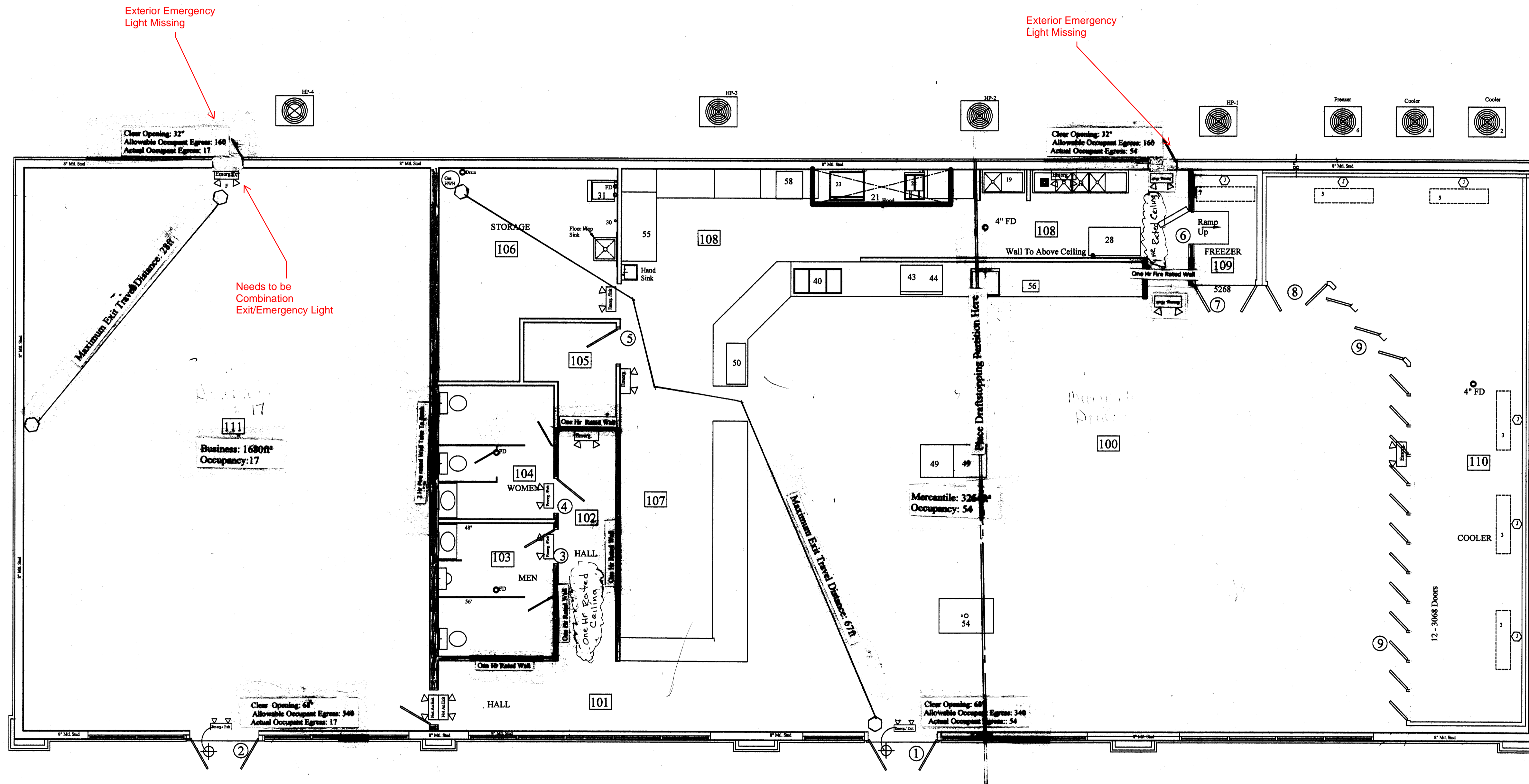
SCALE: 3/16" = 1'-0"
DRAWN BY: WRJ
DATE:
CHECKED BY: RJB
DWG. NUMBER:
JOB NUMBER:

SHEET NO:
S - 1



RECEIVED
By Regency Construction at 2:42 pm, Feb 20, 2024

12/14/22



LIFE SAFETY PLAN
Scale: 3/16" = 1'-0"

Total Area: 6,600ft²
Total Occupancy: 71

Life Safety Plan

REVISIONS	
NO.	DATE

A NEW CHAMPS CONVENIENCE STORE
U.S. HWAY 401 NORTH
Fuquay-Varina, North Carolina 27526

RJB, PE, PA

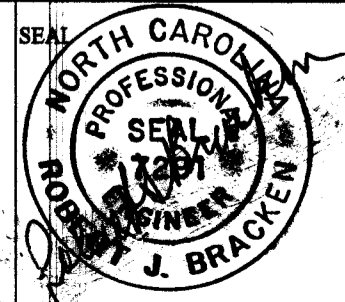
C-0069
Robert J. Bracken
ENGINEERING • SURVEYING

3768 Caraborn Road • Sanford, NC 27330

SCALE: 1/4" = 1'-0"
DRAWN BY: WRJ
DATE:
CHECKED BY: RJB
DWG. NUMBER:
JOB NUMBER:

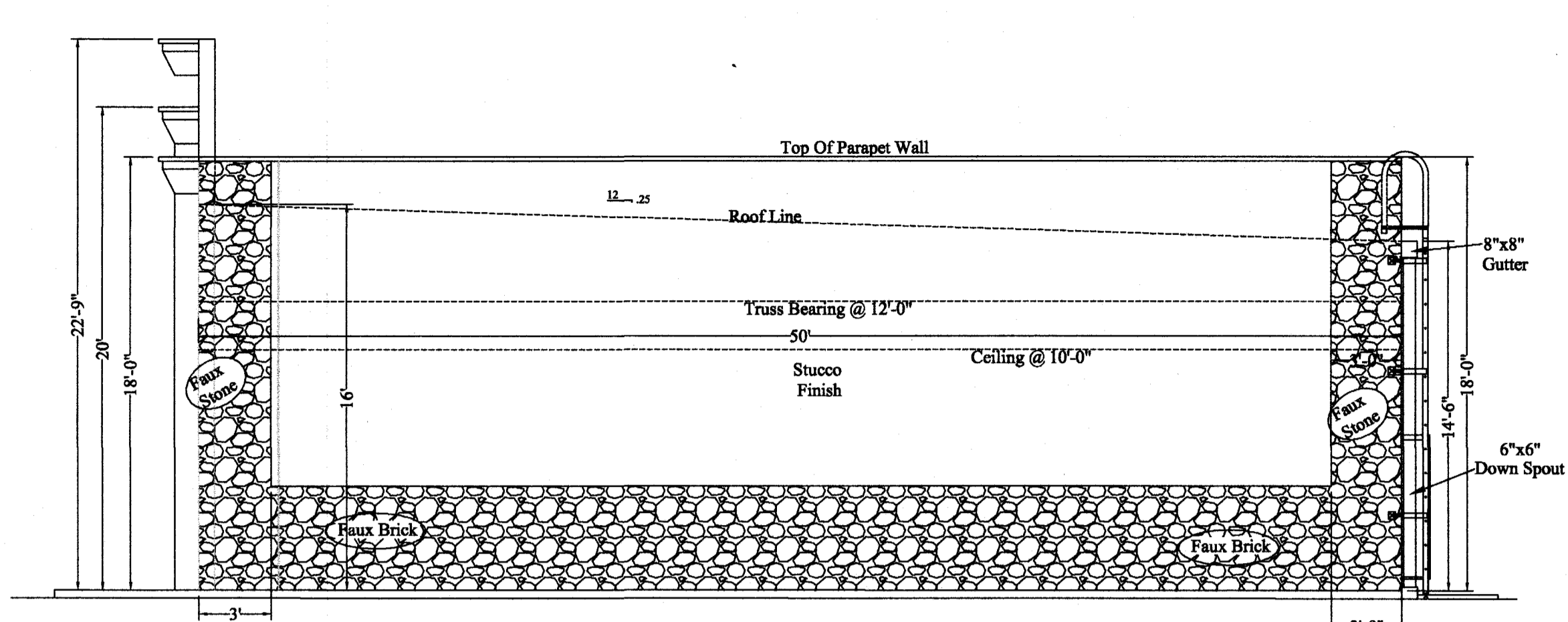
SHEET NO:

LS-1



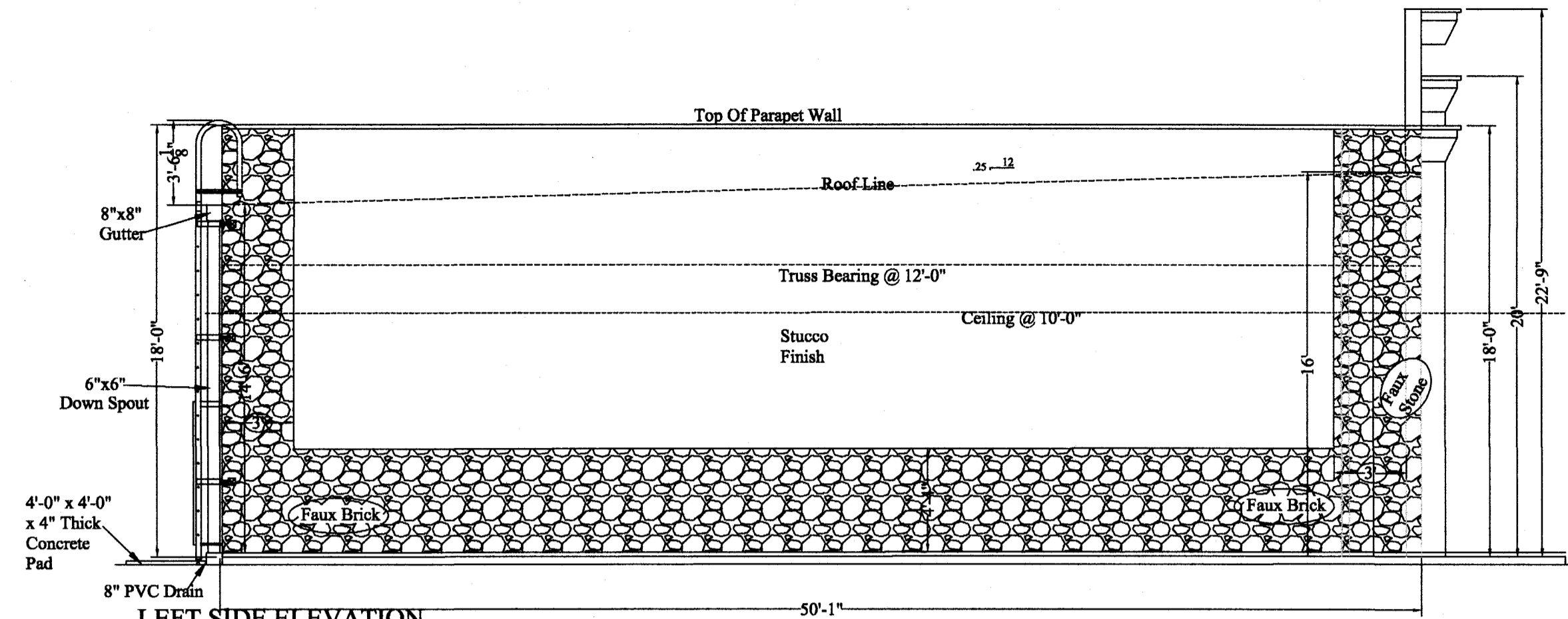
8/17/22

RECEIVED
By Regency Construction at 2:42 pm, Feb 20, 2024



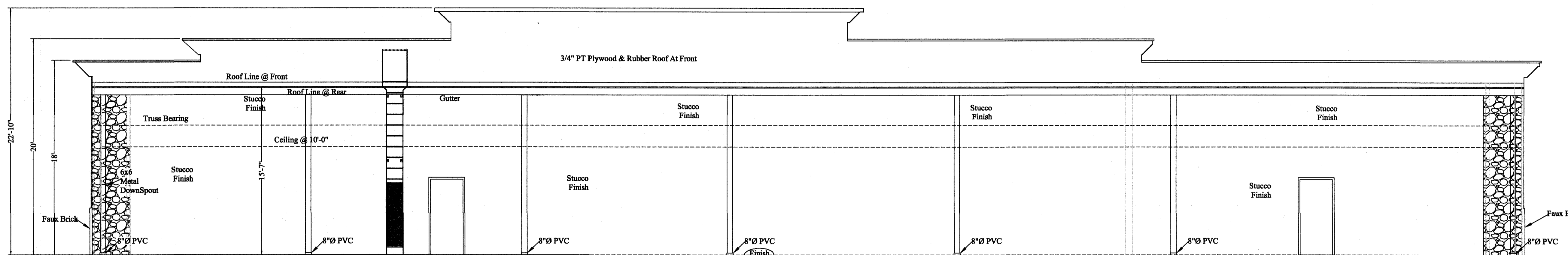
RIGHT SIDE ELEVATION

Scale: 3/16" = 1'-0"



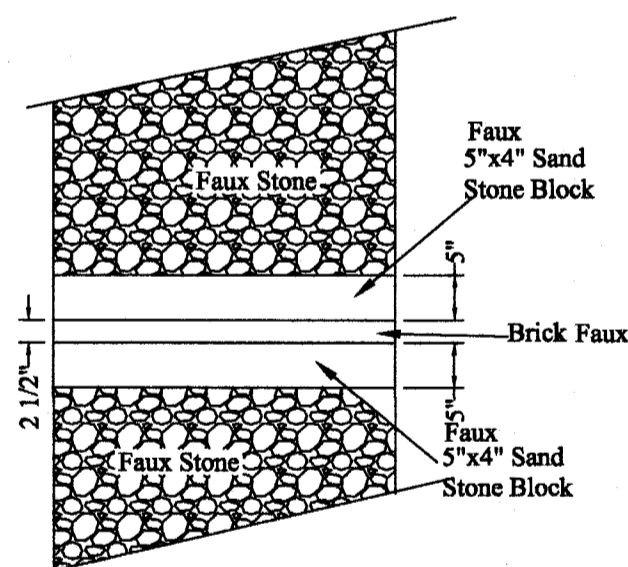
LEFT SIDE ELEVATION

Scale: 3/16" = 1'-0"



REAR ELEVATION

Scale: 3/16" = 1'-0"



INSET DETAIL

No Scale



FRONT ELEVATION

Scale: 3/16" = 1'-0"

REVISIONS	
NO.	DATE

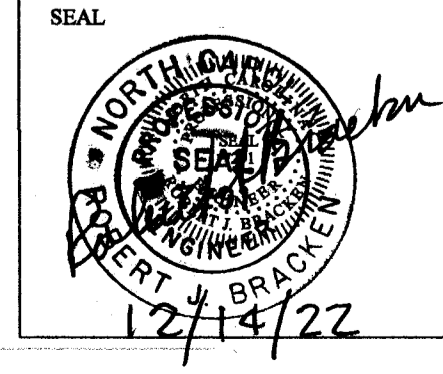
A NEW CHAMPS CONVENIENCE STORE
 U.S. HWAY 401 NORTH
 Fuquay-Varina, North Carolina 27526

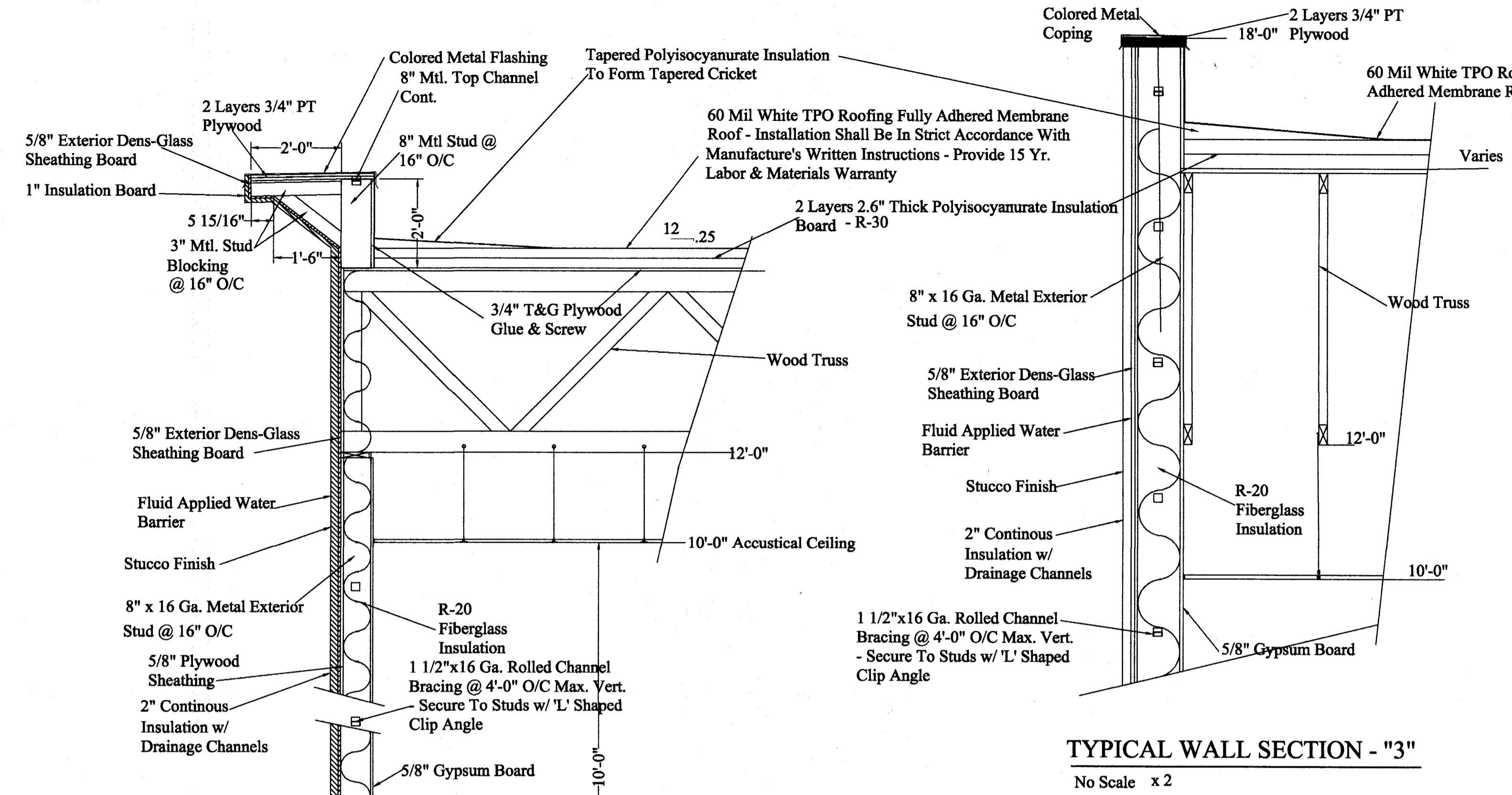
RJB, PE, PA
 C-0269
 Robert J. Bracken
 ENGINEERING • SURVEYING
 3768 Carabonton Road • Sanford, NC 27330

SCALE: 3/16" = 1'-0"
DRAWN BY: WRJ
DATE:
CHECKED BY: RJB
DWG. NUMBER:
JOB NUMBER:

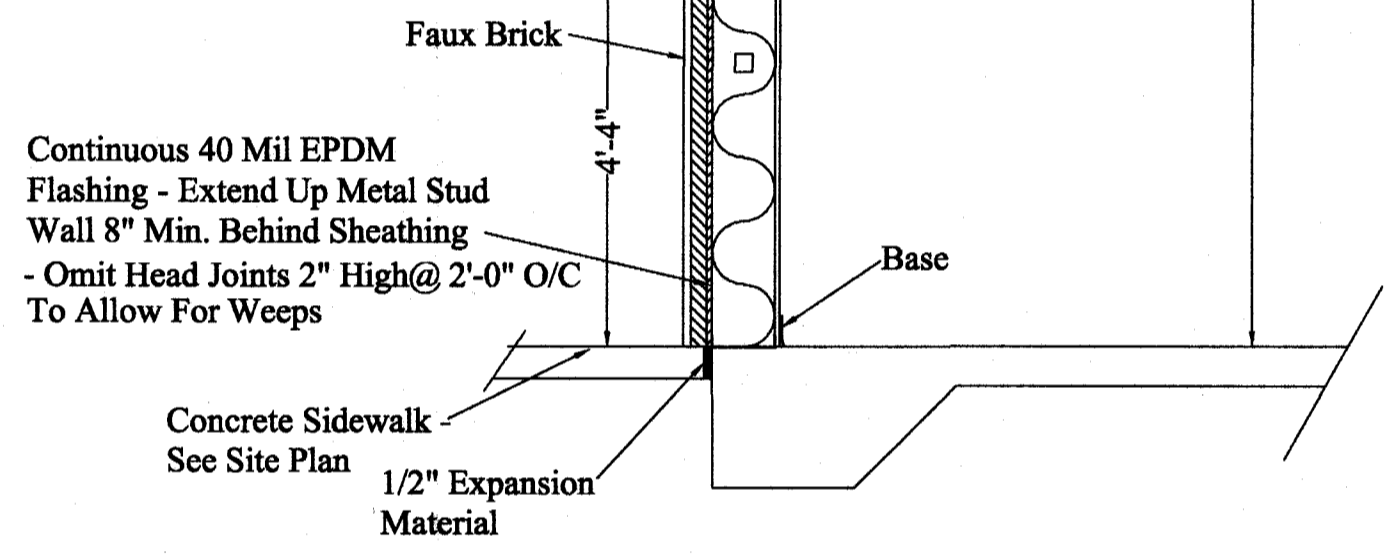
SHEET NO:
G - 1

RECEIVED
 By Regency Construction at 2:42 pm, Feb 20, 2024

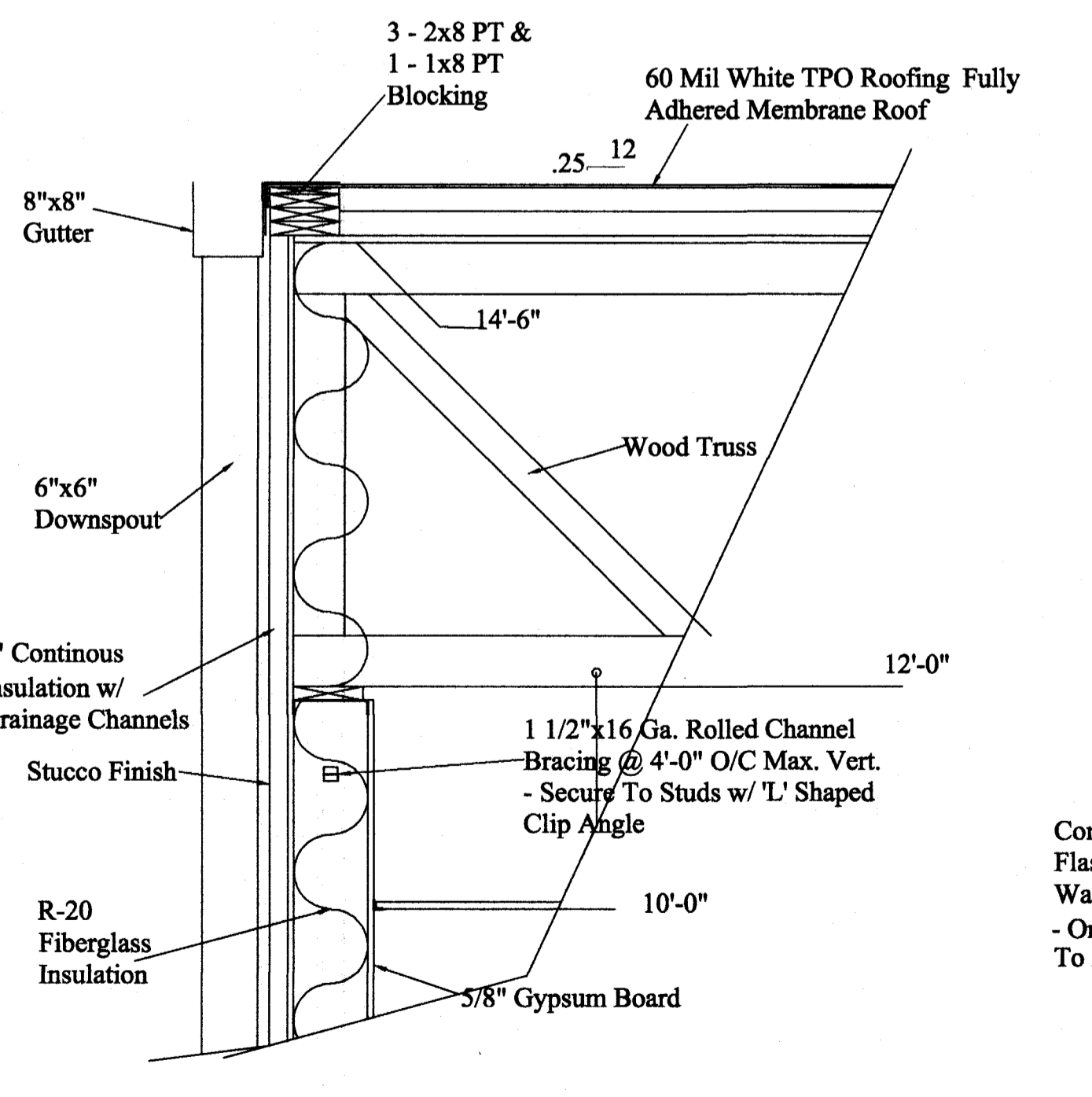




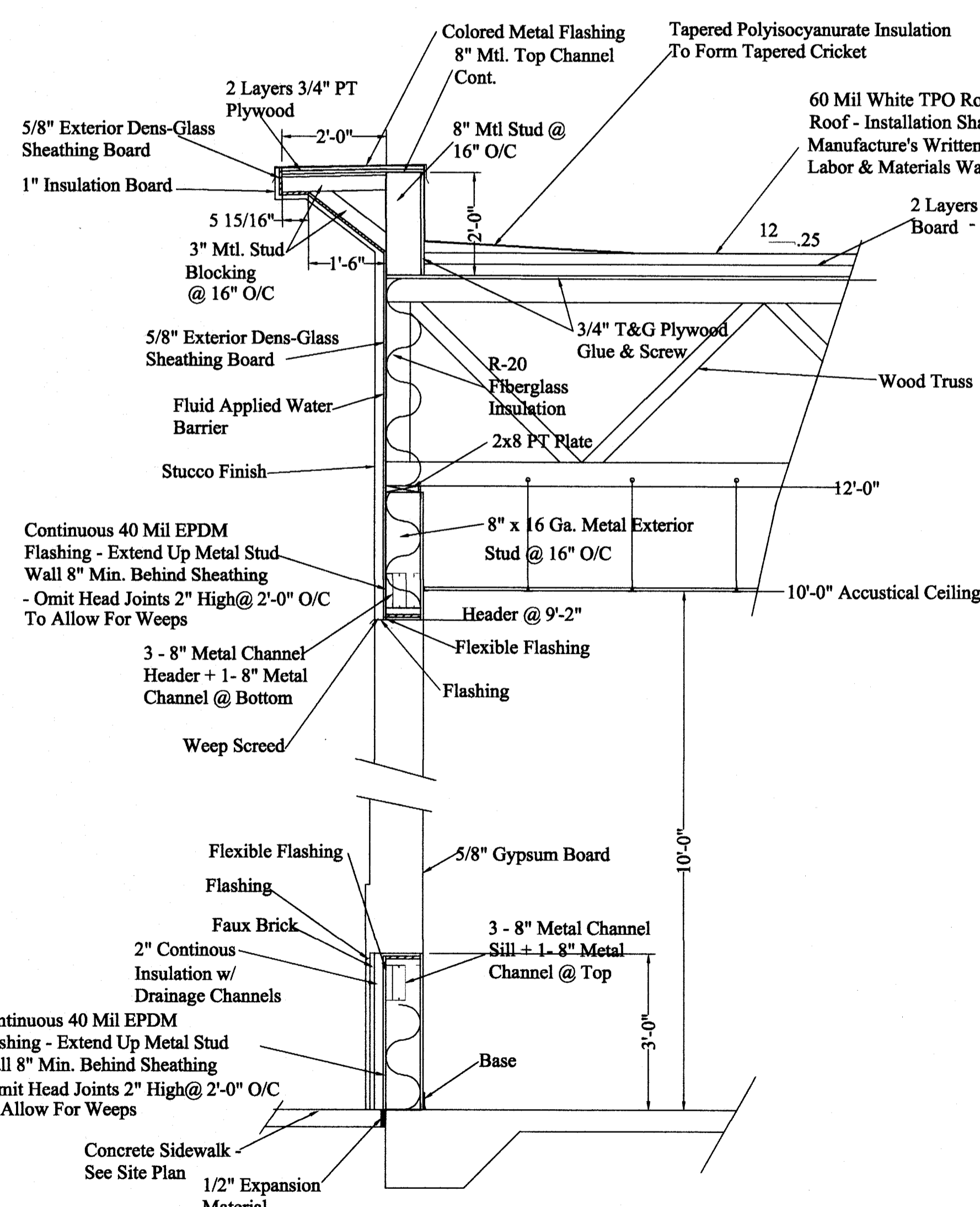
TYPICAL WALL SECTION - "3"
No Scale x 2



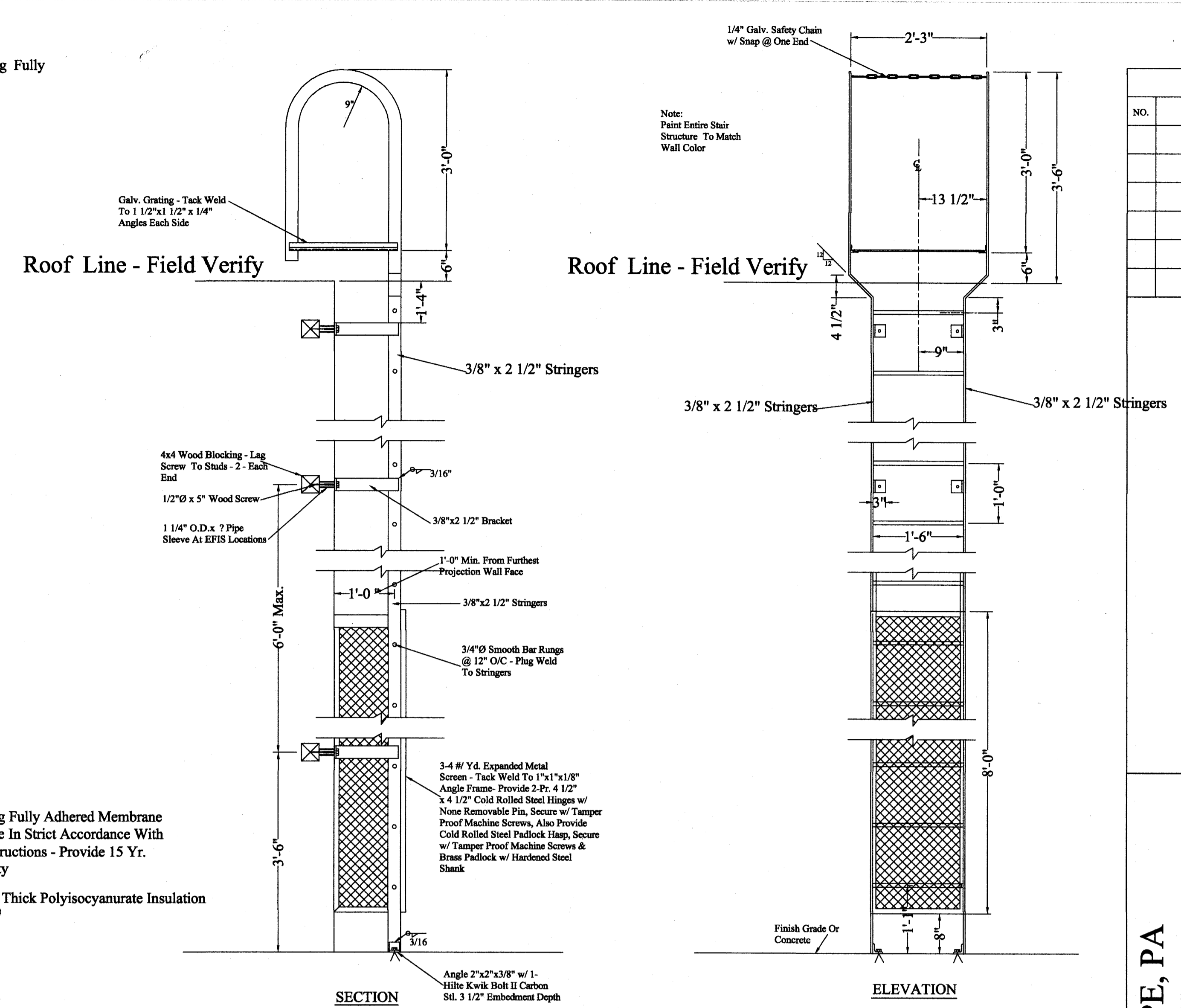
TYPICAL WALL SECTION - "1"
No Scale x 2



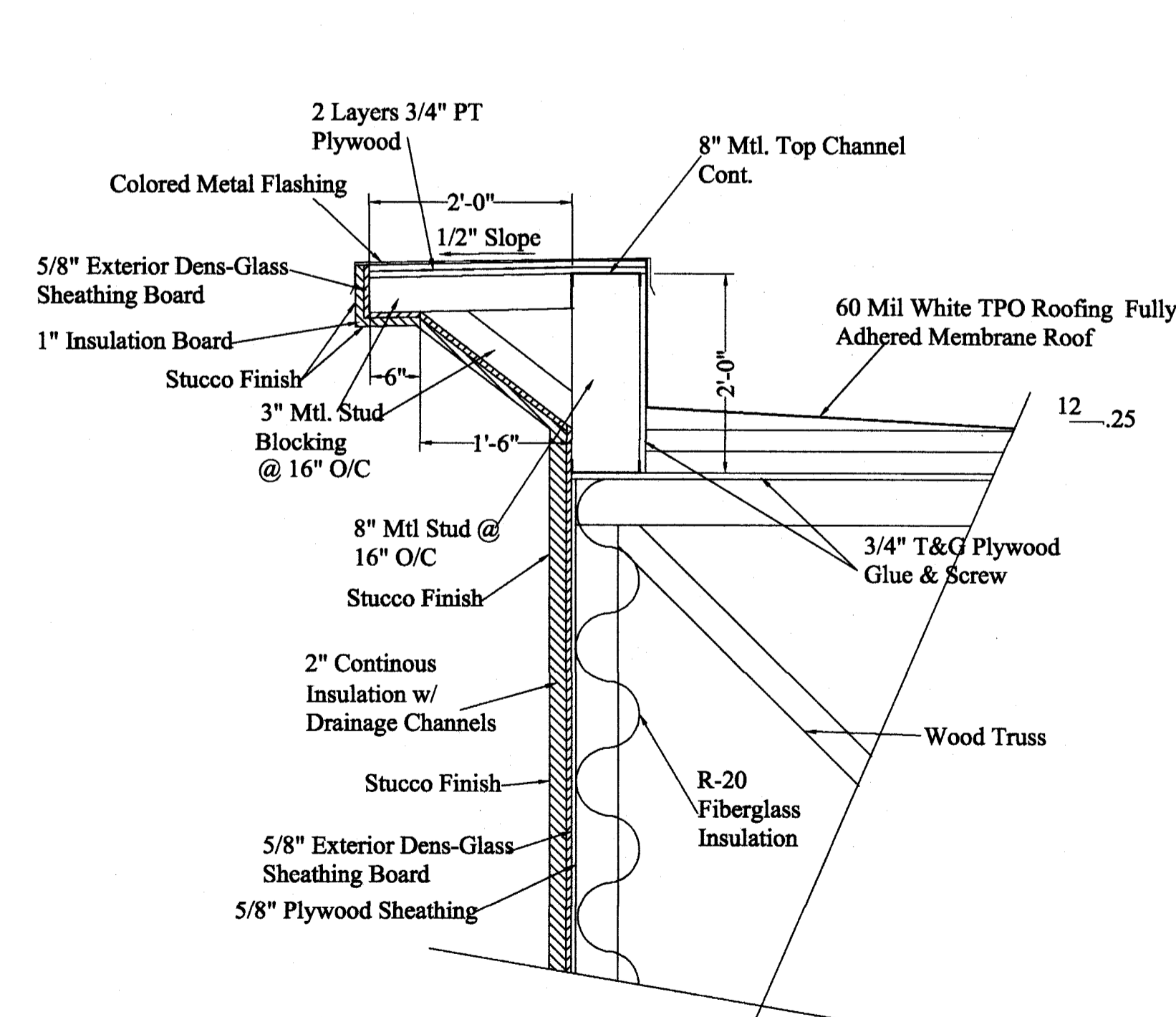
TYPICAL WALL SECTION - "4"
No Scale x 2



TYPICAL WALL SECTION - "2"
No Scale x 2



ROOF LADDER DETAIL
3/4" = 1'-0"



CORNICE DETAIL
No Scale x3

REVISIONS	
NO.	DATE

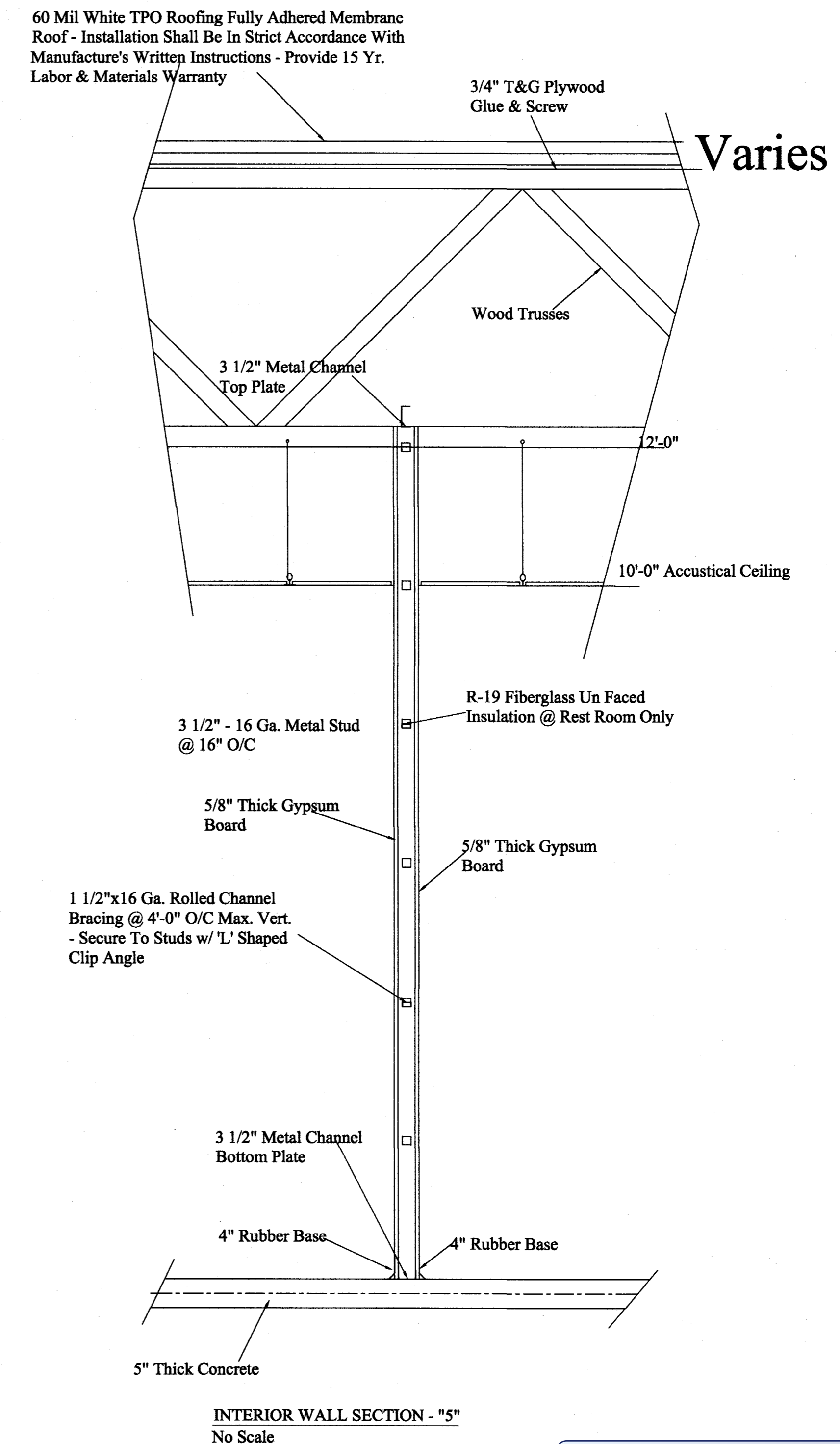
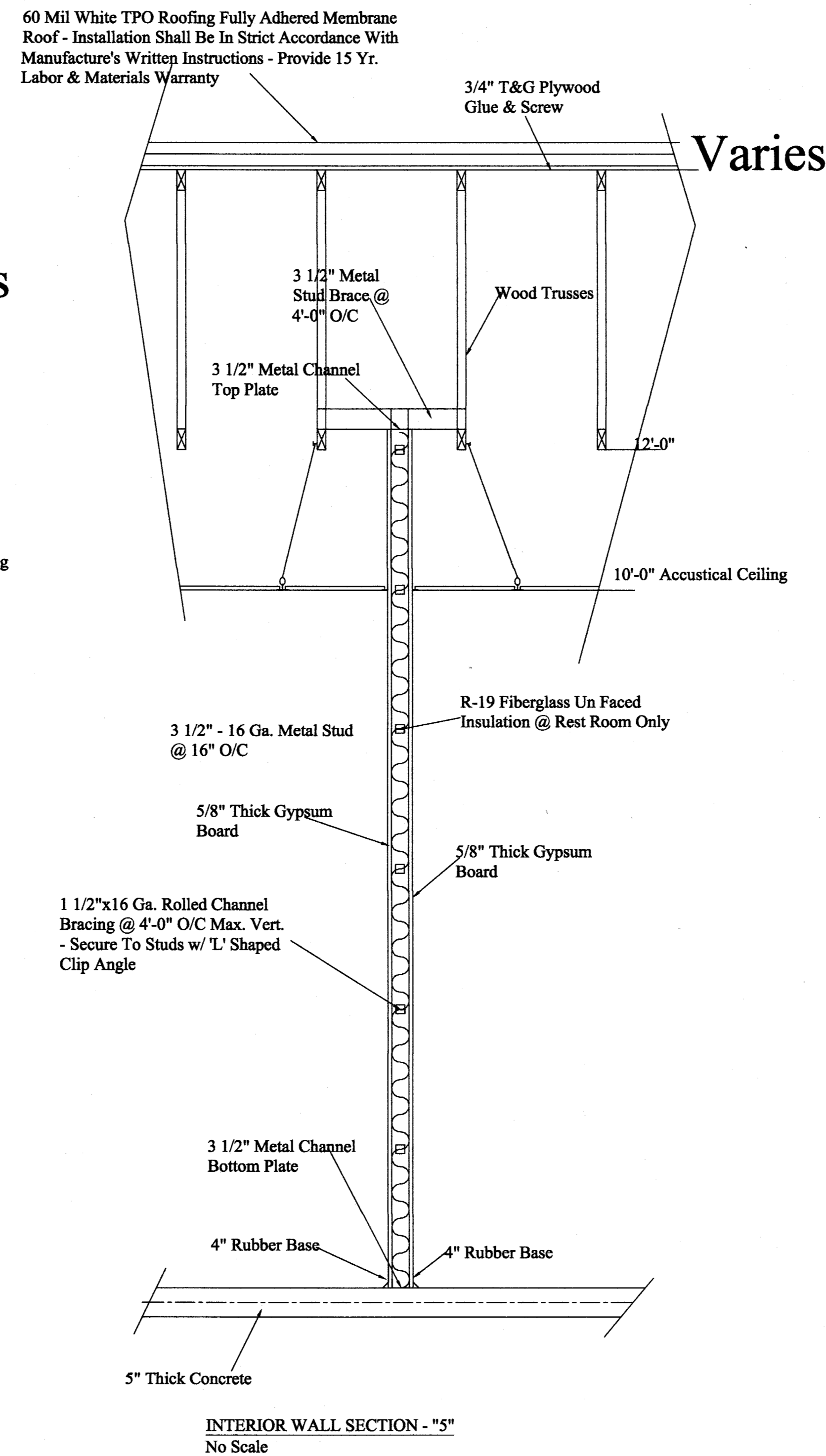
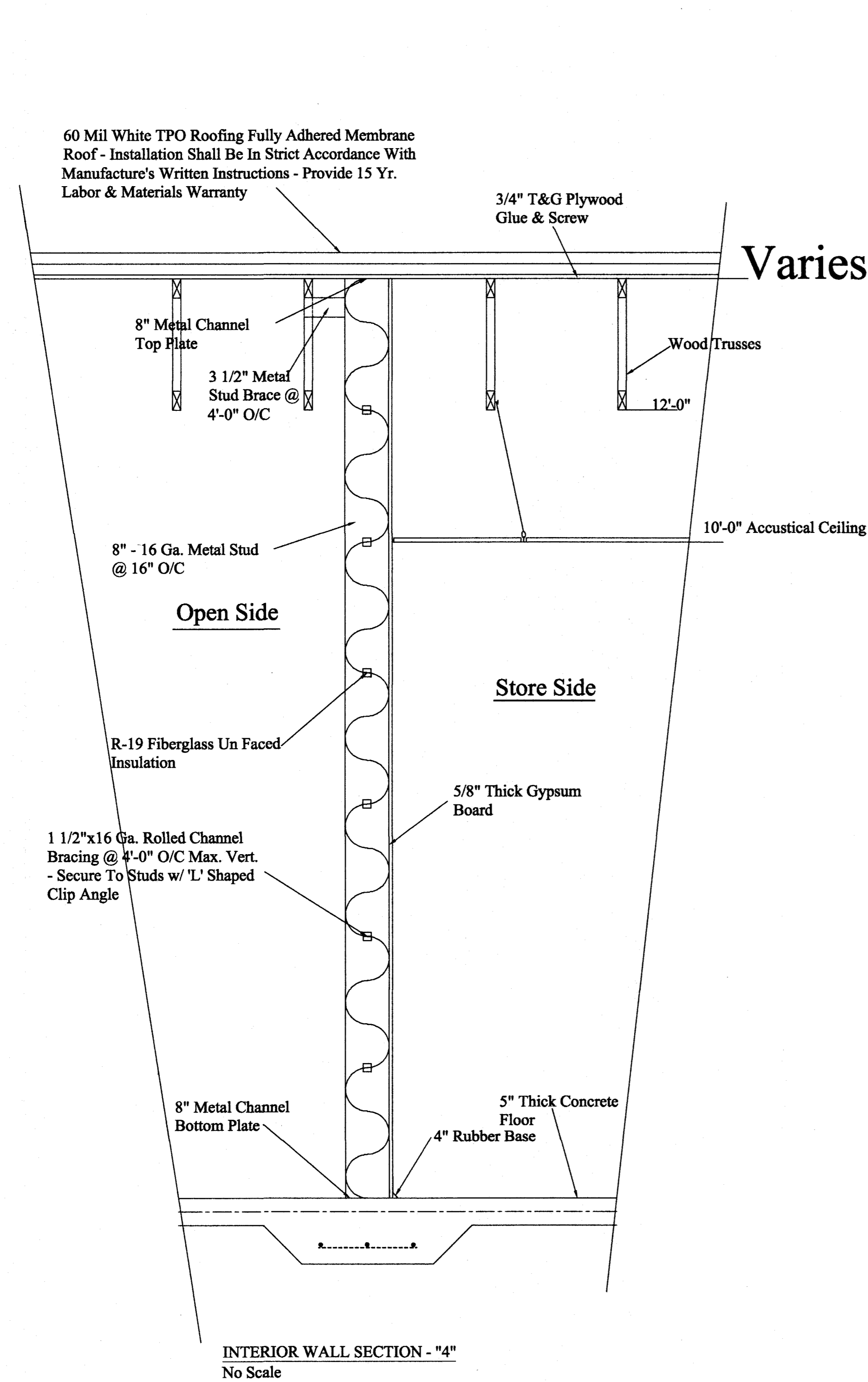
A NEW CHAMPS CONVENIENCE STORE
U.S. HWAY 401 NORTH
Fuquay-Varina, North Carolina 27526

RJB, PE, PA
C-0289
Robert J. Bracken
ENGINEERING • SURVEYING
3768 Caribon Road • Sanford, NC 27330

SCALE: 1/4" = 1'-0"
DRAWN BY: WRJ
DATE:
CHECKED BY: RJB
DWG. NUMBER:
JOB NUMBER:

SHEET NO:
G - 3
SEAL
NORTH CAROLINA
PROFESSIONAL
ENGINEER
ROBERT J. BRACKEN
12/7/22

RECEIVED
By Regency Construction at 2:42 pm, Feb 20, 2024



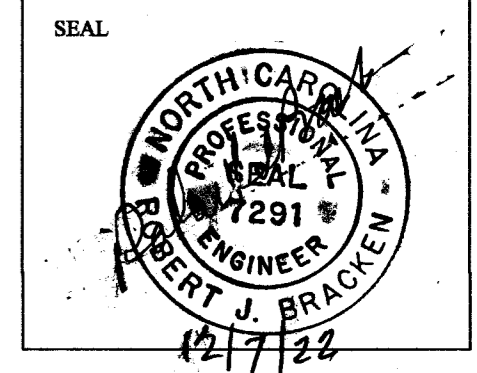
REVISIONS	
NO.	DATE

A NEW CHAMPS CONVENIENCE STORE
 U.S. HWAY 401 NORTH
 Fuquay-Varina, North Carolina 27526

RJB, PE, PA
 C-0269
 Robert J. Bracken
 ENGINEERING • SURVEYING
 3768 Carabontion Road • Sanford, NC 27330

SCALE: 1/4" = 1'-0"
 DRAWN BY: WRJ
 DATE:
 CHECKED BY: RJB
 DWG. NUMBER:
 JOB NUMBER:

SHEET NO:
G - 4



RECEIVED
 By Regency Construction at 2:43 pm, Feb 20, 2024

INTERIOR ROOM FINISH									DOOR SCHEDULE								
ROOM NO.	ROOM NAME	FLOORS		WALLS		CEILING		REMARKS	MARK	SIZE	TYPE	FRAME	LIGHTS	REMARKS	PAINT / STAIN	HWD. NO.	
		BASE	FINISH	MATERIAL	FINISH	BASE	TYPE										HEIGHT
100	Main Store	Concrete	24"x24" Porcelain Tile	5/8" Gypsum	Epoxy Paint	4" Rubber	2x4 Lay-in	10'-0"		6070	Store Front	Alum.	Full	W/ 60110 Transom	Factory	A	
101	Store Hall	Concrete	24"x24" Porcelain Tile	5/8" Gypsum	Epoxy Paint	4" Rubber	2x4 Lay-in	10'-0"		6070	Store Front	Alum.	Full	W/ 60110 Transom	Factory	A	
102	Bath Hall	Concrete	24"x24" Porcelain Tile	5/8" Gypsum	Epoxy Paint	4" Rubber	2x4 Lay-in Fire Code	10'-0"		3070	SC Wood	HM	None	Paint HM Frame	Stain	H	
103	Men Rest Rooms	Concrete	24"x24" Porcelain Tile	5/8" Gypsum FRP White Board	PVC Wall Panels (PVC)**	4" Rubber	2x4 Lay-in Fire Code	10'-0"		3070	SC Wood	HM	None	Paint HM Frame	Stain	H	
104	Women Rest Room	Concrete	24"x24" Porcelain Tile	5/8" Gypsum FRP White Board	PVC Wall Panels (PVC)**	4" Rubber	2x4 Lay-in Fire Code	10'-0"		3070	SC Wood	HM	None	Paint HM Frame	Stain	C	
105	Office	Concrete	24"x24" Porcelain Tile	5/8" Gypsum	Epoxy Paint	4" Rubber	2x4 Lay-in	10'-0"		34"x78"	Freezer Panel	Freezer Panel	None		Factory	G	
106	Storage	Concrete	24"x24" Porcelain Tile	5/8" Gypsum	Epoxy Paint	4" Rubber	2x4 Lay-in	10'-0"		2 - 30"x79"	Freezer Panel	Freezer Panel	None		Factory	G	
107	Behind Counter	Concrete	24"x24" Porcelain Tile	5/8" Gypsum FRP White Board	PVC Wall Panels (PVC)**	4" Rubber	2x4 Lay-in	10'-0"		Unit 5'-2 7/16"	Cooler Panel	Cooler Panel	Full		Factory	G	
108	Cooking & Washing	Concrete	24"x24" Porcelain Tile	5/8" Gypsum FRP White Board	PVC Wall Panels (PVC)**	4" Rubber	2x4 Lay-in Fire Code	10'-0"		Unit 73 5/8"	Cooler Panel	Cooler Panel	Full		Factory	G	
109	Freezer	Concrete	Freezer Panel	Freezer Panel	Freezer Panel	None	Freezer Panel	8'-0"		12 - Unit Cooler Doors	Cooler Panel	Cooler Panel	Full		Factory	G	
110	Beer & Drinks Cooler	Concrete	Smooth Finish	Cooler Panel	Cooler Panel	None	Cooler Panel	8'-0"		3070	HM	HM	None	Paint HM Frame	Paint	E	
111	Empty Space	Concrete	Smooth Finish	Bare Studs	None	None	Open To Trusses	16'-0"		3070	SC Wood	HM	None	Paint HM Frame	Stain	E	
										3070	HM	HM	None	Paint HM Frame	Paint	E	

WINDOW SCHEDULE				
MK	TYPE	SIZE	FRAME	REMARKS
A,B,C,D,E,F,G,H,I,K,M,N,P,Q,R,S,T	Store Front	40x510	Alum.	Fixed Glass
L,M	Store Front	50x510	Alum.	Fixed Glass

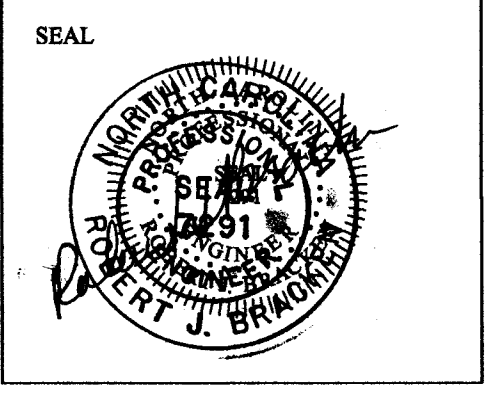
HARDWARE SCHEDULE		NOTES: Door Locks & Passage Sets To Be By Corbin - Russwin Door Hardware To Be By Von Duprin. Chrome Finish - 26 D
A	6 Pr. 4 1/2" x 4 1/2" Hinges w/ NRP, Cylinder Lock, 2-Pull Handle, 2-Push Plate, 2-Closer, Threshold, Weatherstripping, Panic Hardware, Supplied By Manufacturer	
B	3 Pr. 4 1/2" x 4 1/2" Hinges w/ NRP, Cylinder Lock, Pull Handle, Push Plate, Kick Plate, Closer, Threshold, Weatherstripping, Panic Hardware, Supplied By Manufacturer	
C	1 1/2 Pr. 4 1/2" x 4 1/2" Hinges w/ NRP, Entrance Lock Set, Kick Plate	
D	3 Pr. 4 1/2" x 4 1/2" Hinges w/ NRP, Cylinder Lock, Pull Plate, Kick Plate, Closer, Threshold, Weatherstripping, Panic Hardware	
E	1 1/2 Pr. 4 1/2" x 4 1/2" Hinges w/ NRP, Entrance Lock Set, Closer, Threshold, Weatherstripping, Panic Hardware	
F	3 Pr. 4 1/2" x 4 1/2" Hinges, Pull Handle, Push Plate, Kick Plate, Closer, Threshold, Panic Hardware	
G	Supplied By Manufacturer	
H	1 1/2 Pr. 4 1/2" x 4 1/2" Hinges, Pull Handle, Push Plate, Kick Plate, Closer, 2" x 12" Brown Plastic Sign (Men / Women)	
J	1 1/2 Pr. 4 1/2" x 4 1/2" Hinges, Entrance Set, Kick Plate, Closer	
	3 Pr. 4 1/2" x 4 1/2" Hinges, Passage Set, Kick Plate	
	All Hardware To Be Handicap Accessible	

REVISIONS	
NO.	DATE

A NEW CHAMPS CONVENIENCE STORE
 U.S. HWAY 401 NORTH
 Fuquay-Varina, North Carolina 27526

RJB, PE, PA
 C-0289
 Robert J. Bracken
 ENGINEERING • SURVEYING
 3768 Caribon Road • Sanford, NC 27330

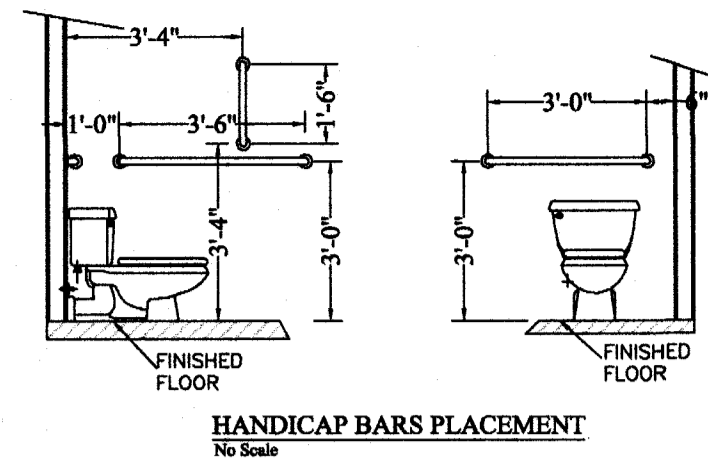
SCALE: 3/16" = 1'-0"
 DRAWN BY: WRJ
 DATE:
 CHECKED BY: RJB
 DWG. NUMBER:
 JOB NUMBER:
 SHEET NO:
 G - 5



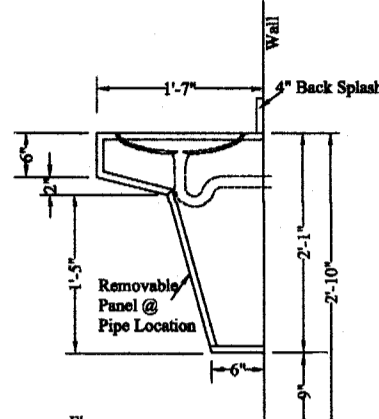
RECEIVED
 By Regency Construction at 2:43 pm, Feb 20, 2024

LEGEND

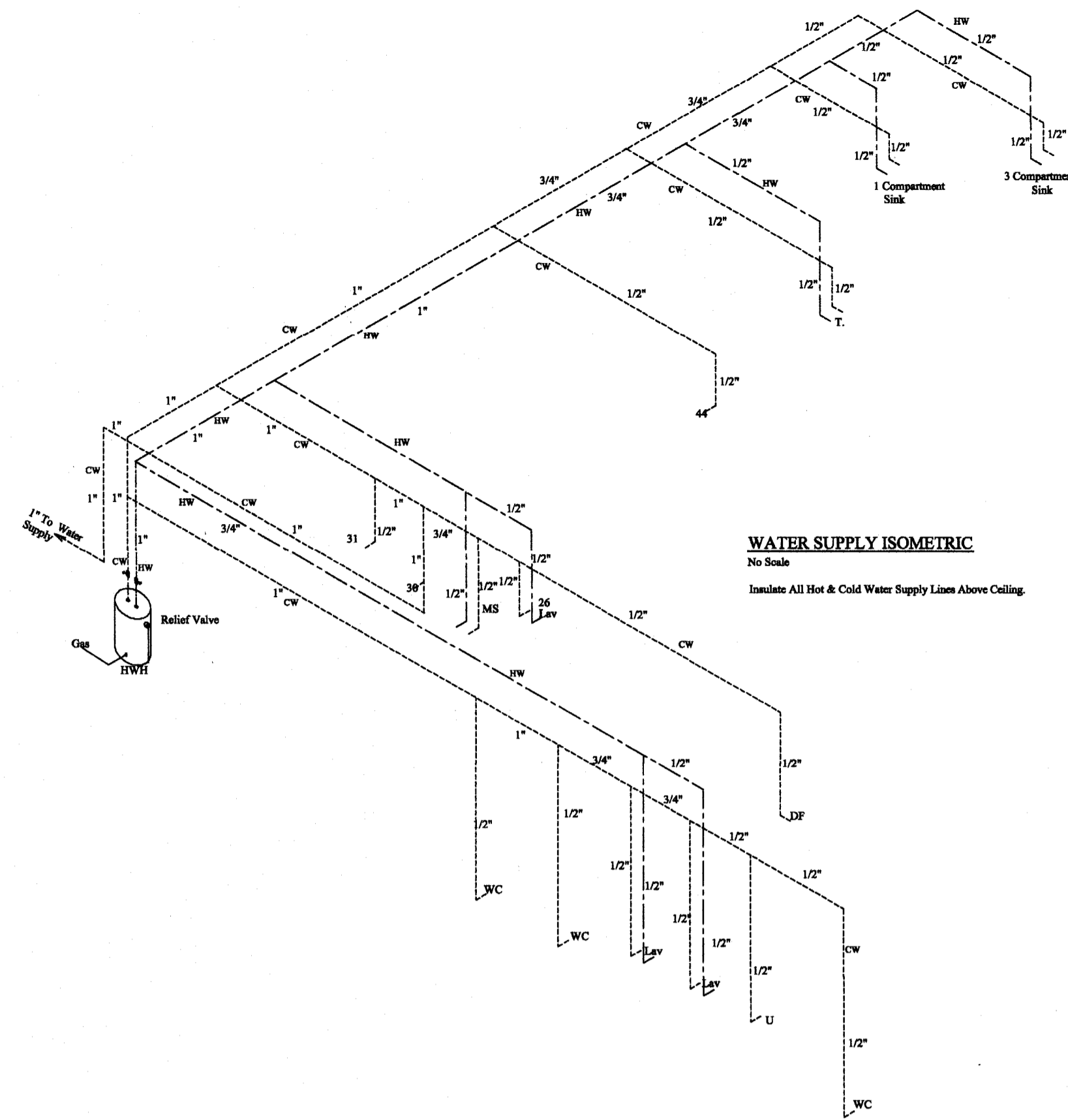
- DF - Drinking Fountain
- CO - Clean Out
- FD - Floor Drain
- LAV - Lavatory
- WC - Water Closet
- U - Wall Urinal
- VTR - Vent Through Roof
- CW - Cold Water
- HW - Hot Water
- FWH - Frost Proof Hose Bibb
- HB - Regular Hose Bibb
- KS - Single Kitchen Sink
- MS - Floor Map Sink



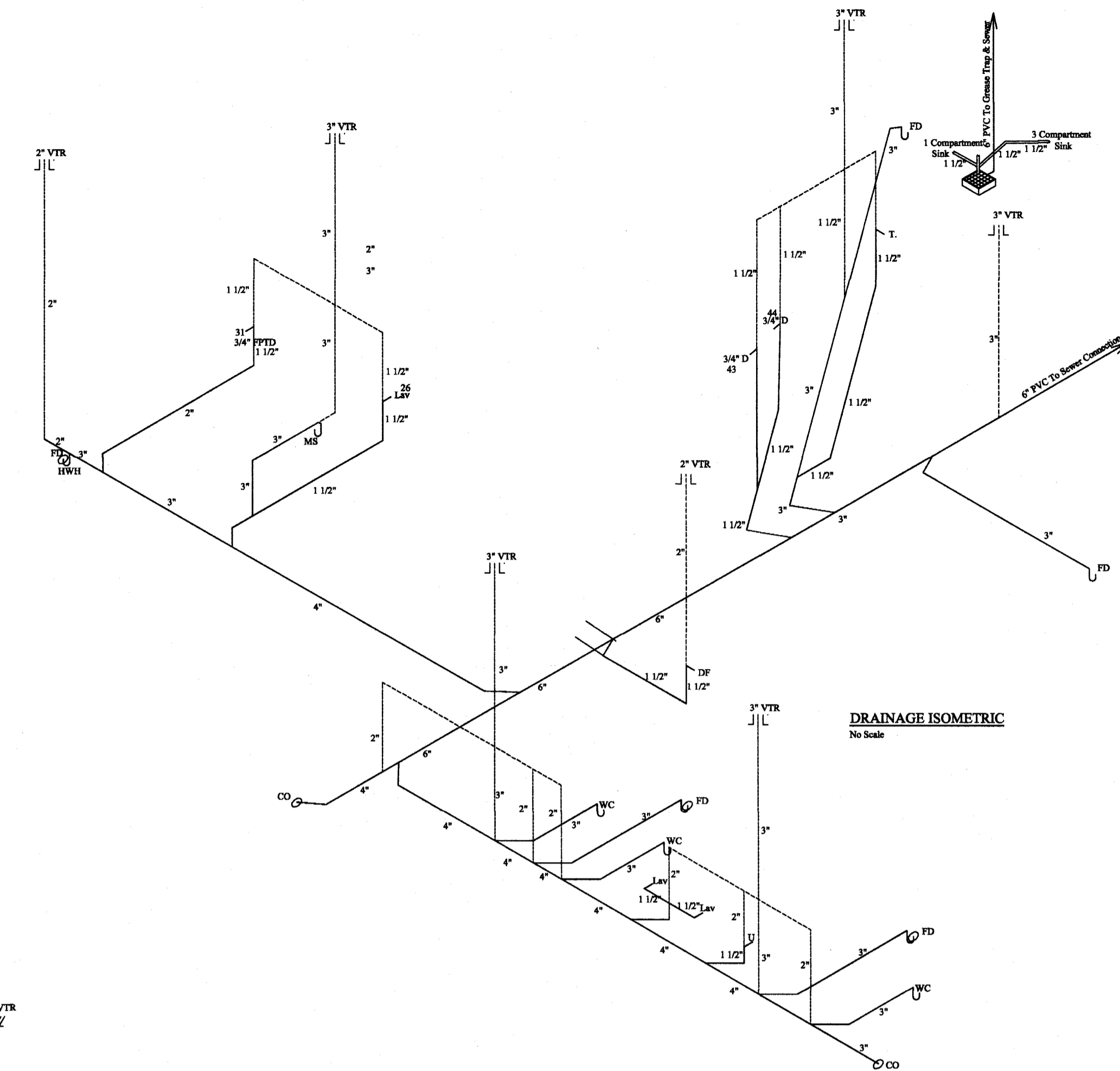
HANDICAP BARS PLACEMENT
No Scale



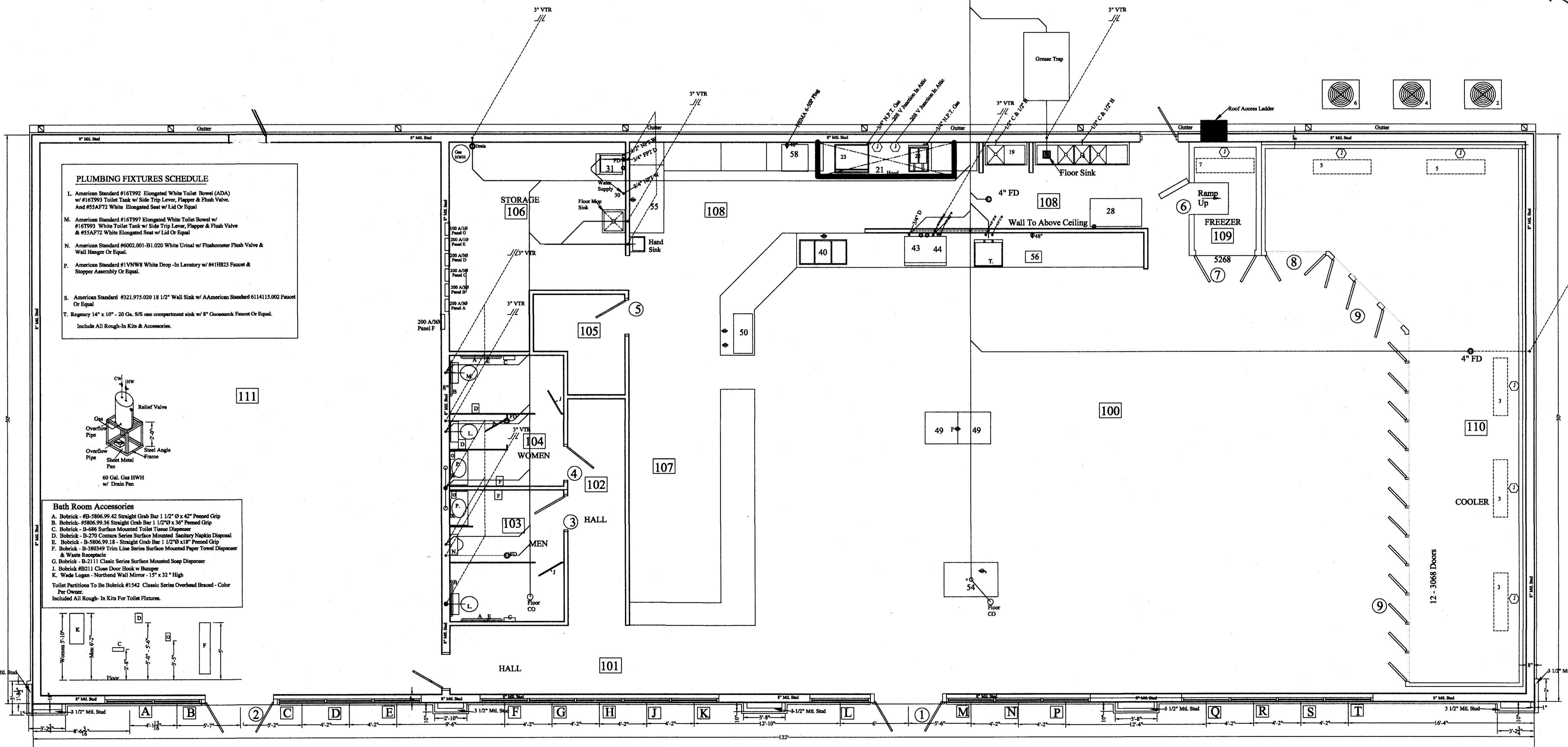
BATH LAVATORY CABINET



WATER SUPPLY ISOMETRIC
No Scale
Insulate All Hot & Cold Water Supply Lines Above Ceiling.



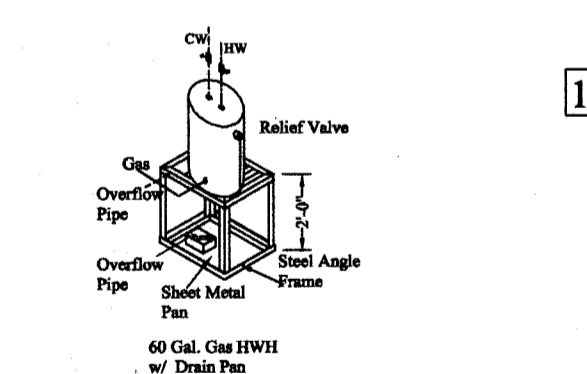
DRAINAGE ISOMETRIC
No Scale



PLUMBING FIXTURES SCHEDULE

- I. American Standard #161992 Elongated White Toilet Bowl (ADA) w/ #161993 Toilet Tank w/ Side Trip Lever, Flapper & Flush Valve. ADA #54772 White Elongated Seat w/ Lid Or Equal.
- M. American Standard #161997 Elongated White Toilet Bowl w/ #161993 White Toilet Tank w/ Side Trip Lever, Flapper & Flush Valve & #54772 White Elongated Seat w/ Lid Or Equal.
- N. American Standard #6002-001-811-020 White Urinal w/ Flushometer Flush Valve & Wall Hanger Or Equal.
- Z. American Standard #1VNW6 White Drop-In Lavatory w/ #418823 Faucet & Stopper Assembly Or Equal.
- S. American Standard #321.975.020 18 1/2" Wall Sink w/ American Standard #114115.002 Faucet Or Equal.
- T. Regency 14" x 10" x 20 Ga. 5/8" rim compartment sink w/ 8" Chromadek Faucet Or Equal.

Include All Rough-In Kits & Accessories.



- Bath Room Accessories**
- A. Bobrick - #B-2806-99-42 Straight Grab Bar 1 1/2" x 42" Pinned Grip
 - B. Bobrick - #B-2806-99-36 Straight Grab Bar 1 1/2" x 36" Pinned Grip
 - C. Bobrick - #B-486 Surface Mounted Toilet Tissue Dispenser
 - D. Bobrick - #B-270 Counter Series Surface Mounted Sanitary Napkin Dispenser
 - E. Bobrick - #B-5006-99-18 - Straight Grab Bar 1 1/2" x 18" Pinned Grip
 - F. Bobrick - #B-30549 Trim Line Series Surface Mounted Paper Towel Dispenser & Waste Receptacle
 - G. Bobrick - #B-2311 Classic Series Surface Mounted Soap Dispenser
 - J. Bobrick #B211 Close Door Hook w/ Bumper
 - K. Wade Logan - Northend Wall Mirror - 15" x 12" High
- Toilet Partitions To Be Bobrick #1542 Classic Series Overhead Bleed - Color Per Owner.
Included All Rough-In Kits For Toilet Fixtures.

PLUMBING PLAN
Scale: 3/16" = 1'-0"

REVISIONS	
NO.	DATE

A NEW CHAMPS CONVENIENCE STORE
U.S. HWAY 401 NORTH
Fuquay-Varina, North Carolina 27526

RJB, PE, PA
C-0269
Robert J. Bracken
ENGINEERING • SURVEYING
3768 Carabotton Road • Sanford, NC 27330

SCALE: 1/4" = 1'-0"
DRAWN BY: WRJ
DATE:
CHECKED BY: RJB
DWG. NUMBER:
JOB NUMBER:

SHEET NO:

P - 1

SEAL

12/7/22

RECEIVED
By Regency Construction at 2:43 pm, Feb 20, 2024

EQUIPMENT SCHEDULE						
TAG	MODEL	HEATING BTU @ 17°F	LOW C.O.P.	COOLING BTU	SEER RATING	VOLTS / PHASE
RTU #1		90,000		42,000	14.25	208/230 / 1Ø
RTU #2		90,000		48,500	14.2	208/230 / 1Ø
RTU #3		90,000		48,500	12	208/230 / 1Ø
RTU #4		90,000		48,500	12	208/230 / 1Ø

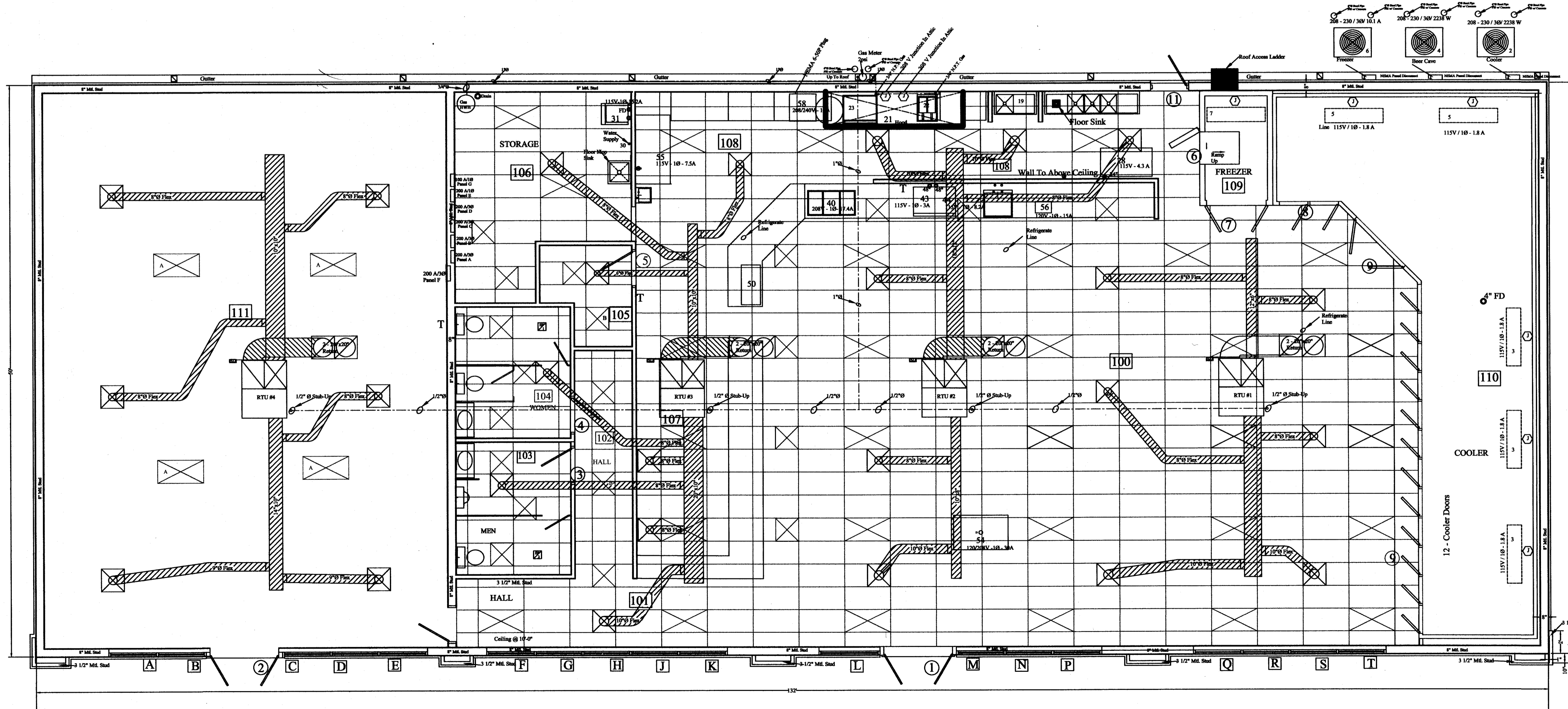
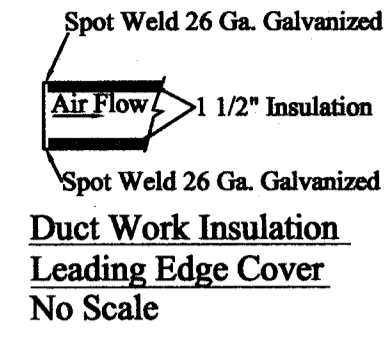
AIR DISTRIBUTION SCHEDULE						
TAG	MODEL	TYPE	SIZE	FINISH	DUCT SIZE	CFM
A		Lay-In	24"x24"	White	6"	
B		Lay-In	24"x24"	White	8"	
C		Lay-In	24"x24"	White	9"	
H		Lay-In	24"x24"	White	10"	
J		Lay-In	24"x24"	White	20"x20"	

FAN SCHEDULE						
TAG	MODEL	TYPE	CFM	RPM	VOLTS	SONES
EF #1		Ceiling Exhaust Fan	200	900	110 V / 1Ø	2.3
EF #2		Ceiling Exhaust Fan	200	900	110 V / 1Ø	2.3

MECHANICAL NOTES

Control wiring by Mechanical Contractor.
 Power wiring from fused disconnects by Mechanical Contractor.
 Manual thermostat w/ 18/10 thermostat wire.
 Condensate unit to be bolted to floor.
 Galvanized duct work w/ 1 1/2" fiberglass insulation w/ leading edge cover.
 Fiberglass liner to be buttered at all joints w/ adhesive.
 Duct joints to receive sealer at all penetrations.
 Rectangular duct measurements are external.
 Flexible fiberglass branch lines to be class #1.
 Branch take-offs to be gasket type w/ manual damper.
 Branch line connections to be banded.
 18" or larger duct to be cross-braced.
 Canvas connections at all air handlers.
 Adjust air quantities to those shown on plans.
 Fresh air duct gets 2" insulated wrap.
 Wall sleeves & refrigerant lines by Mechanical Contractor.
 Smoke detectors in return plenums.
 Toilet exhaust fans supplied by Mechanical Contractor & wired by Electrical Contractor.
 Gas piping to be schedule 40 black iron.
 Liner to be glued-full coverage - spot pins @ 12" O/C horizontal & vertical.
 Turning vanes in rectangular ductells.
 Use wall sleeves for gas piping & refrigerate lines.
 Emergency drain pan for all A/C coils.
 No refrigerate line joints in wall cavity.
 Duct hangers attached horizontally or vertically.
 Mount equipment w/ moving parts on isolation pads.
 Do not use stamped registers or grills.
 Fresh air duct wrapped externally.

Symbols:
 T - Thermostat □ - Manual Damper S.D. - Smoke Detector
 F.D. - Fire Damper SP.D - Splitter Damper



HVAC PLAN
 Scale: 3/16" = 1'-0"
 Gas Piping To Be Black Iron Pipe
 Gas Piping To Go Up Base Wall & Go Into Attic & Stub Up At Each Roof Top Unit.

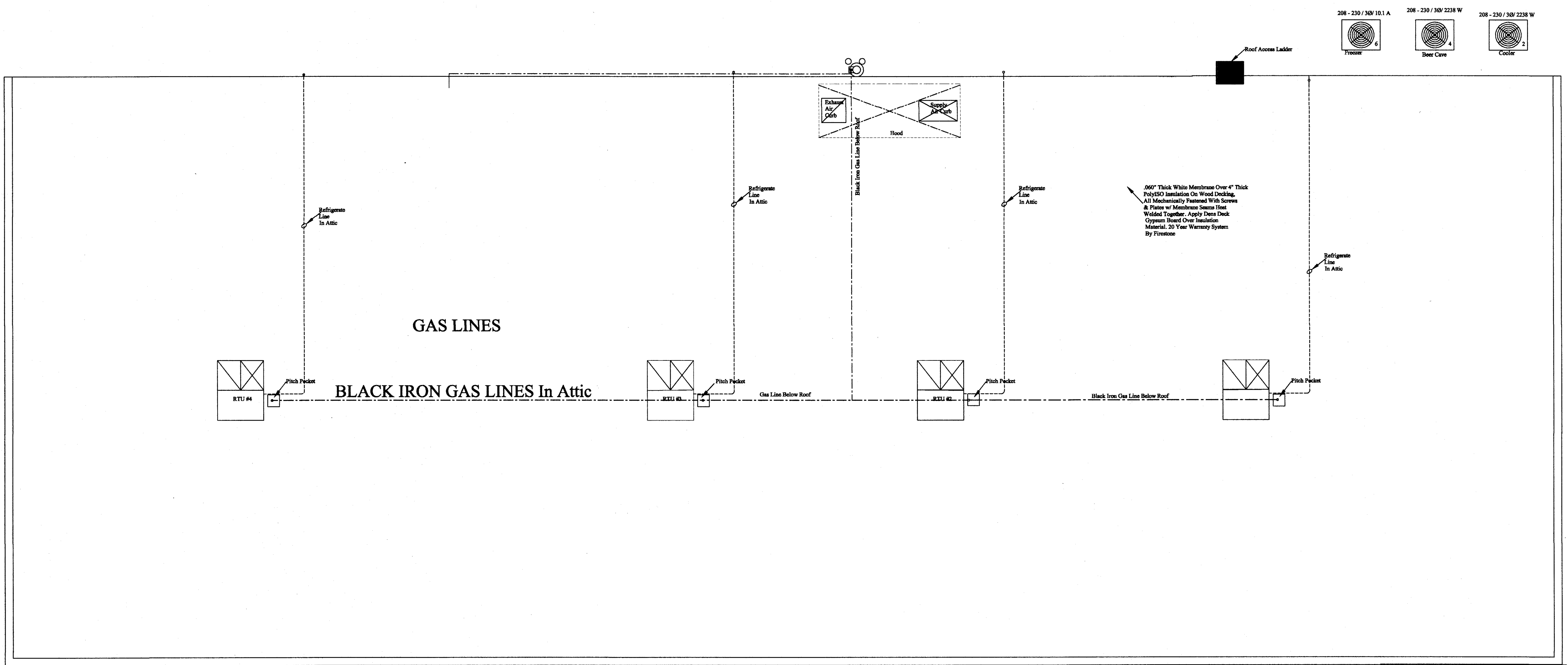
REVISIONS	
NO.	DATE

A NEW CHAMPS CONVENIENCE STORE
 U.S. HWAY 401 NORTH
 Fuquay-Varina, North Carolina 27526

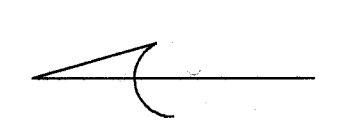
RJB, PE, PA
 C-0269
 Robert J. Bracken
 ENGINEERING • SURVEYING
 3768 Caribon Road • Sanford, NC 27330

SCALE: 3/16" = 1'-0"
 DRAWN BY: WRJ
 DATE:
 CHECKED BY: RJB
 DWG. NUMBER:
 JOB NUMBER:

SHEET NO:
M - 1
 SEAL
 RECEIVED
 By Regency Construction at 2:43 pm, Feb 20, 2024



ROOF TOP LAYOUT
Scale: 3/16" = 1'-0"



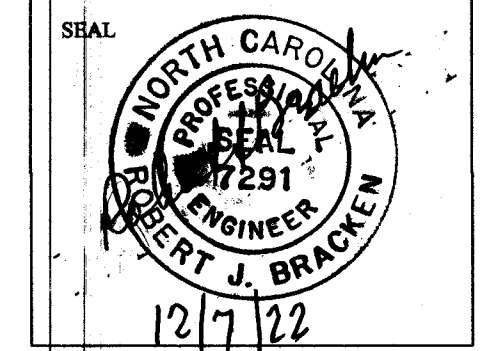
REVISIONS	
NO.	DATE

A NEW CHAMPS CONVENIENCE STORE
U.S. HWAY 401 NORTH
Fuquay-Varina, North Carolina 27526

RJB, PE, PA
C-0269
Robert J. Bracken
ENGINEERING • SURVEYING
3768 Carabonton Road • Sanford, NC 27330

SCALE: 3/16" = 1'-0"
DRAWN BY: WRJ
DATE:
CHECKED BY: RJB
DWG. NUMBER:
JOB NUMBER:

SHEET NO:
M-2

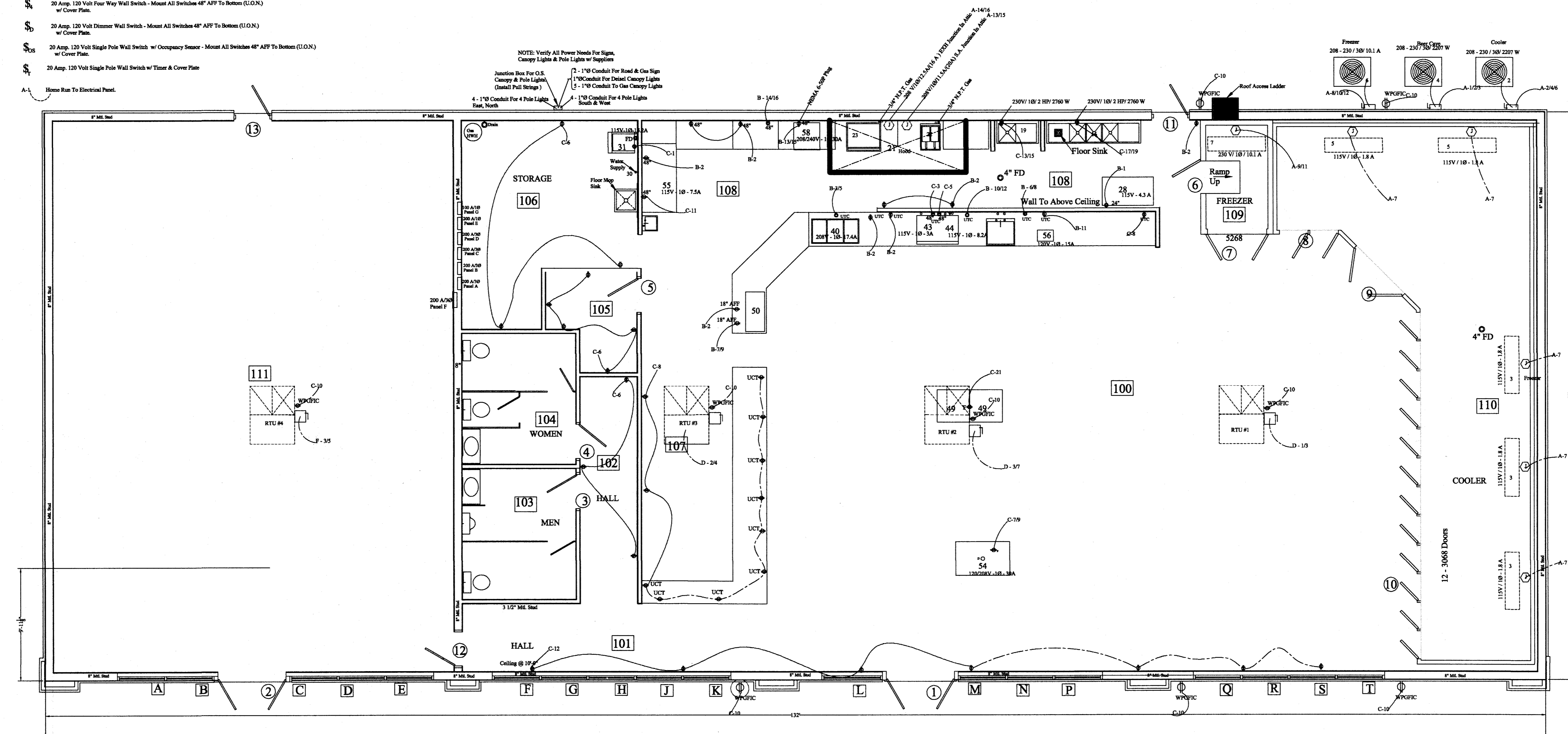


RECEIVED
By Regency Construction at 2:43 pm, Feb 20, 2024

12/7/22

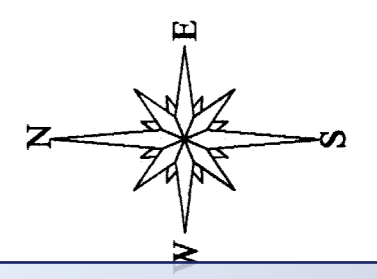
ELECTRICAL LEGEND

- ⊗ Egress Light
- ⊕ Wall Packs
- ⊕ Emergency Light
- ⊕ Emergency/Exit Light
- ⊕ Exit Light
- UTC 20 Amp 120 Volt Duplex Wall Receptacle w/ Plastic Cover Plate. Dedicated Circuits To Have 20 Amp 120 Volt Receptacle. @18" AFF UNO - Under Top Counter
- ⊕ 20 Amp 120 Volt Duplex Wall Receptacle w/ Plastic Cover Plate. Dedicated Circuits To Have 20 Amp 120 Volt Receptacle. @18" AFF UNO
- ⊕ 20 Amp 120 Volt Duplex Wall Receptacle w/ Plastic Cover Plate. Dedicated Circuits To Have 20 Amp 120 Volt Receptacle. @18" AFF UNO
- ⊕ 20 Amp 120 Volt Duplex Wall Receptacle w/ Plastic Cover Plate. Dedicated Circuits To Have 20 Amp 120 Volt Receptacle. @18" AFF UNO
- ⊕ 15 Amp 120 Volt Weather Proof Ground Fault Receptacle w/ Weather Proof Cover. @18" AFF UNO
- ⊕ 30 Amp 220 Volt Wall Receptacle w/ Appropriate Cover Plate - (See Appliance For Proper Ampage). @18" AFF UNO
- ⊕ 30 A - 208-240V - 1 Ø - Floor Receptacle
- ⊕ Disconnect Switch - See Electrical Plans & HVAC Plans For Locations And Ampage.
- ⊕ Telephone Outlet: Electrical Contractor To Provide Box And Install Pull String And Proper Plate
- ⊕ Computer Outlet: Electrical Contractor To Provide Box And Install Pull String And Proper Plate.
- JUNCTION BOX: PROVIDE BOC & COVER AS REQUIRED TO SERVE EQUIPMENT.
- ⊕ Junction Box: Provide Box & Cover As Required To Serve Equipment.
- ⊕ 20 Amp 120 Volt Single Pole Wall Switch - Mount All Switches 48" AFF To Bottom (U.O.N) w/ Cover Plate.
- ⊕ 20 Amp 120 Volt Three Way Wall Switch - Mount All Switches 48" AFF To Bottom (U.O.N) w/ Cover Plate.
- ⊕ 20 Amp 120 Volt Four Way Wall Switch - Mount All Switches 48" AFF To Bottom (U.O.N) w/ Cover Plate.
- ⊕ 20 Amp 120 Volt Dimmer Wall Switch - Mount All Switches 48" AFF To Bottom (U.O.N) w/ Cover Plate.
- ⊕ 20 Amp 120 Volt Single Pole Wall Switch w/ Occupancy Sensor - Mount All Switches 48" AFF To Bottom (U.O.N) w/ Cover Plate.
- ⊕ 20 Amp 120 Volt Single Pole Wall Switch w/ Timer & Cover Plate
- A- Home Run To Electrical Panel.



ELECTRICAL POWER PLAN
Scale: 3/16" = 1'-0"

ELECTRICAL PANEL: 12" In For O.S. Area Pole Lights & Lights & Gas Pump Island.
Lights & Conduit Wire & Circuit Breakers By Others



RECEIVED
By Regency Construction at 2:43 pm, Feb 20, 2024

REVISIONS	
NO.	DATE

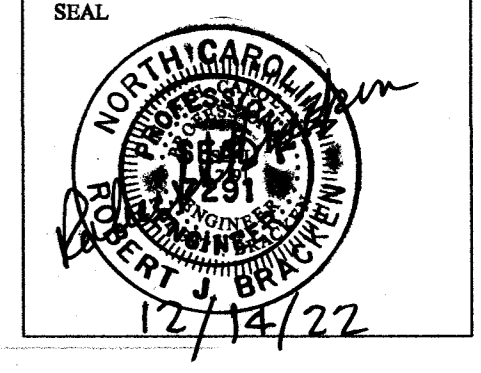
A NEW CHAMPS CONVENIENCE STORE
U.S. HWAY 401 NORTH
Fuquay-Varina, North Carolina 27526

RJB, PE, PA
C-0269
Robert J. Bracken
ENGINEERING • SURVEYING
3768 Carabonton Road • Sanford, NC 27330

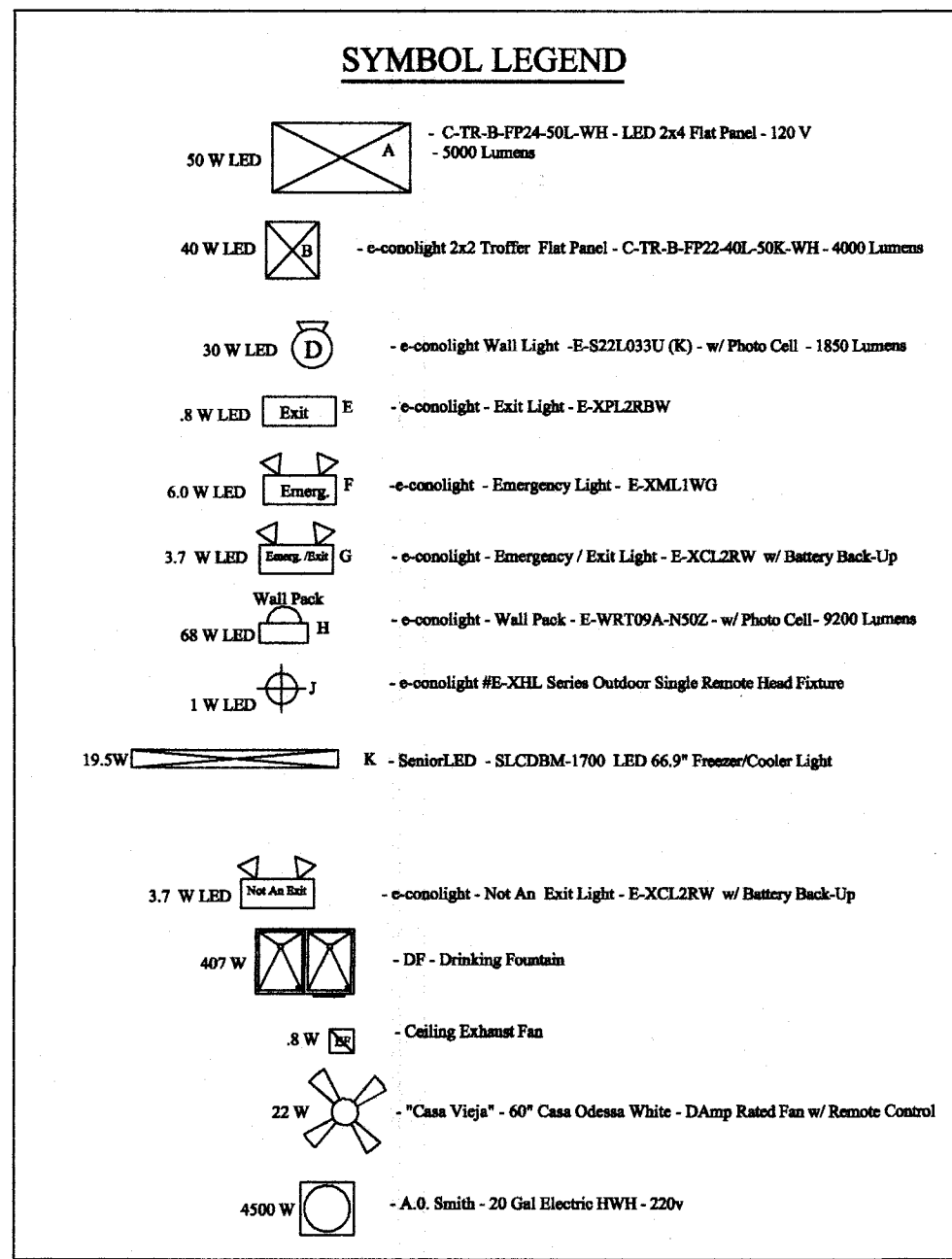
SCALE: 3/16" = 1'-0"
DRAWN BY: WRJ
DATE:
CHECKED BY: RJB
DWG. NUMBER:
JOB NUMBER:

SHEET NO:

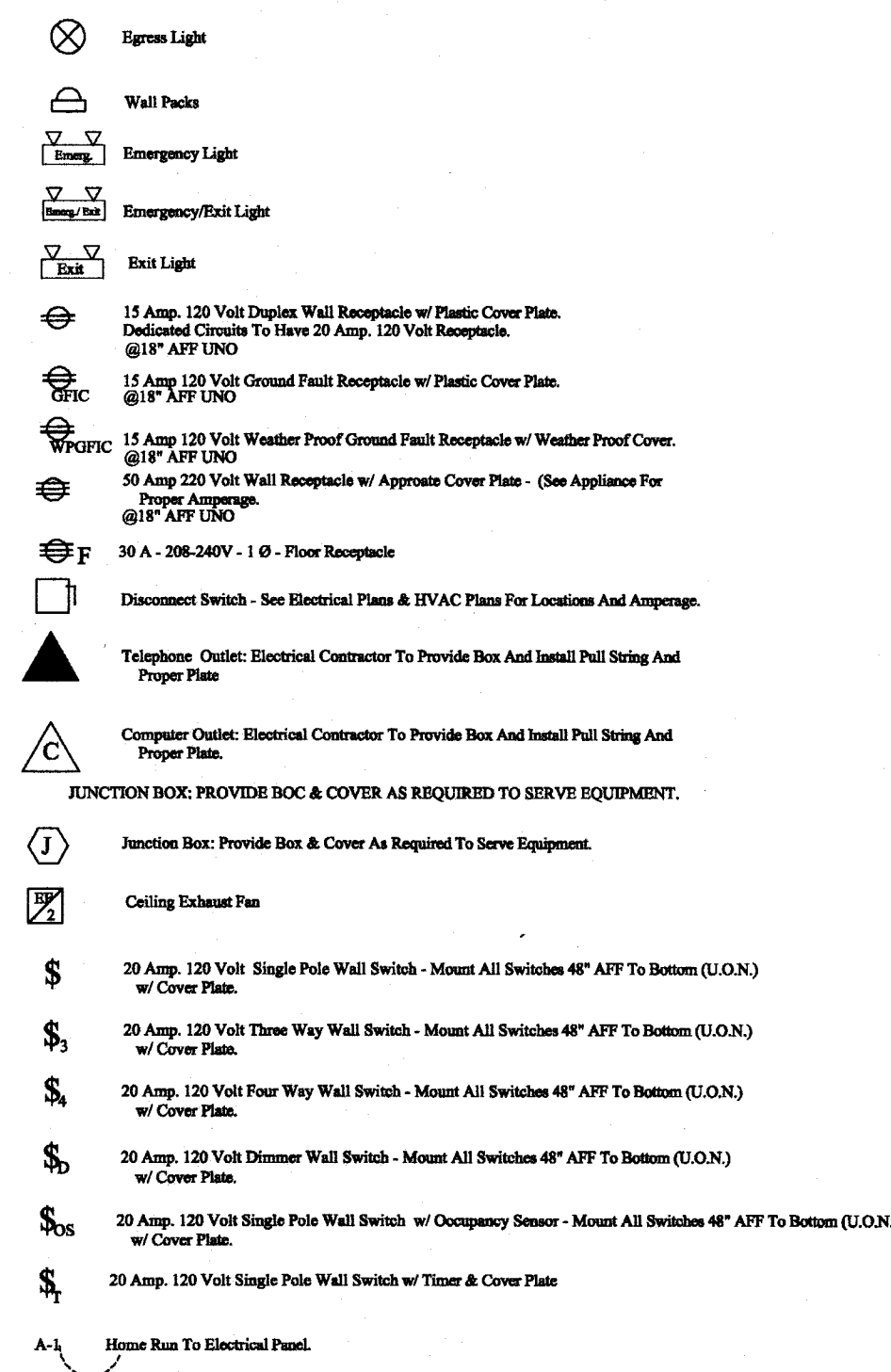
E - 1



12/14/22

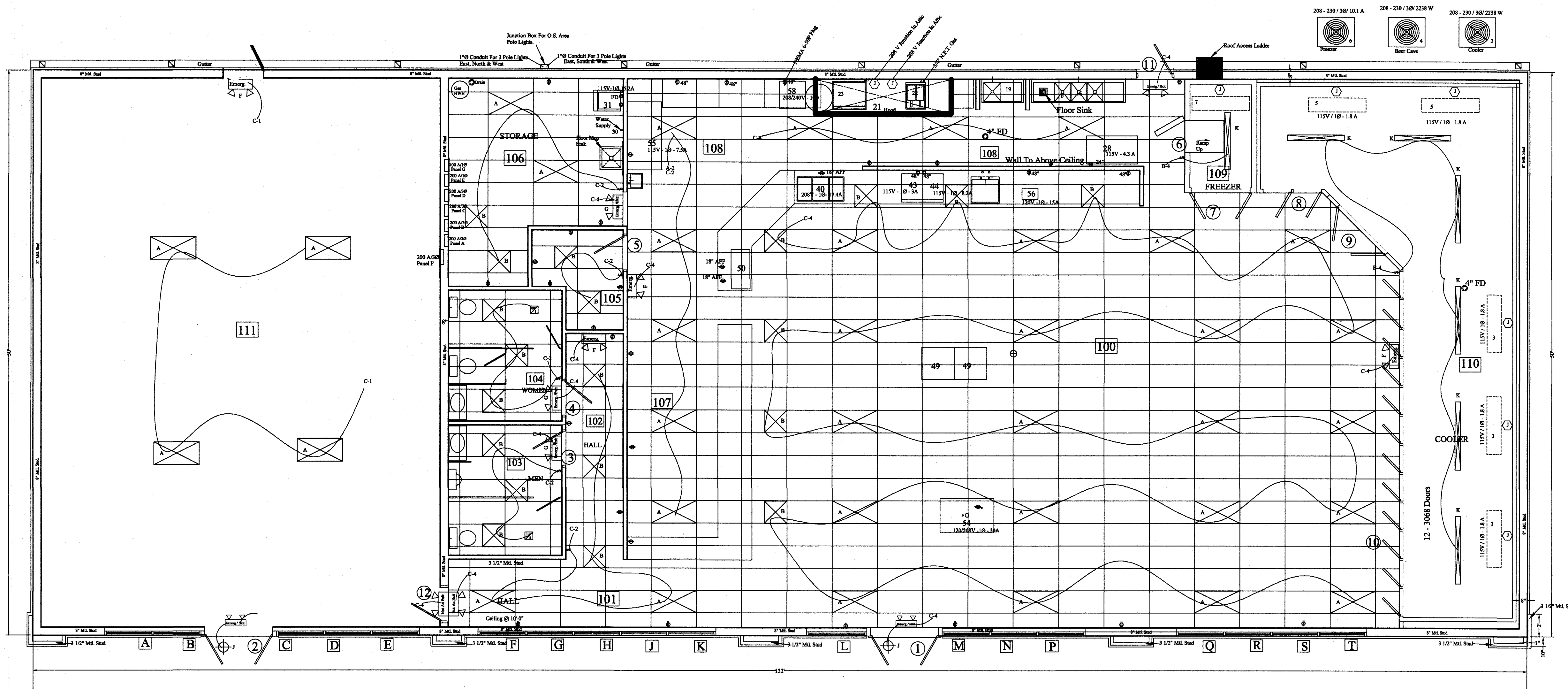


ELECTRICAL LEGEND



ELECTRICAL NOTES

- All Electrical Work Shall Be In Accordance w/ The National Electrical Code, Latest Edition, All State And Local Codes Having Jurisdiction, And The Requirements Of The Local Electrical Inspector.
- The Electrical Contractor Shall Be Responsible For Obtaining All Permits, And Paying All Fees, Including Any Connection And Inspection Fees Associated With The Electrical Portion Of The Project.
- All Circuits Shall Be Copper, THHN Or THW.
- All Circuits Shall Have Breaker Size As Indicated On Electrical Panel Diagrams.
- All Wiring For Circuits Shall Have The Same Ampacity As The Breaker Serving It.
- The Electrical Contractor Shall Legibly Identify (Typewritten) Each Circuit In The Panels.
- All Locations Where Multiple Switches Are Shown, They Shall Be Installed In Multi-Cong Boxes w/ Multi-Cong Cover Plates.



ELECTRICAL LIGHTING PLAN
Scale: 3/16" = 1'-0"

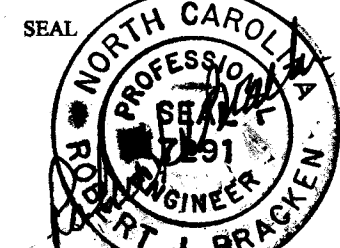
REVISIONS	
NO.	DATE

A NEW CHAMPS CONVENIENCE STORE
U.S. HWAY 401 NORTH
Fuquay-Varina, North Carolina 27526

RJB, PE, PA
C-0269
Robert J. Bracken
ENGINEERING • SURVEYING
3768 Carabonton Road • Sanford, NC 27330

SCALE: 3/16" = 1'-0"
DRAWN BY: WRJ
DATE:
CHECKED BY: RJB
DWG. NUMBER:
JOB NUMBER:

SHEET NO:
E - 2



RECEIVED
By Regency Construction at 2:43 pm, Feb 20, 2024

12/7/22

PANEL BOARD SCHEDULE													
PANELBOARD DESIGNATION - MDP				TYPE OF PANEL - MAIN DISTRIBUTION PANEL				MOUNTING - SURFACE					
VOLTAGE : 208/120V P154WIRE				BUS SIZE (AMPS) : 100A				MAIN SWITCH - MSB					
POLES - 3PHN				TOTAL SPACE REQUIRED : 42				NOTES :					
FEEDER - FROM EXISTING PANEL				AMPS INTERRUPTING RATING : 22 KA				MANUFACTURER : SQUARE D OR EQUAL					
C K T #	CB	WIRE SIZE	LOAD (WATTS)			LOAD DESCRIPTION	LOAD DESCRIPTION	LOAD (WATTS)			WIRE SIZE	CB	C K T #
			A Ø	B Ø	C Ø			A Ø	B Ø	C Ø			
1	200	4	41,600			Panel 'A' 200 A	Panel 'W' 200 A	41,600			4	200	4
3	200	4	41,600			Panel 'A'	Panel 'W'	41,600			4	200	4
5	200	4	41,600			Panel 'A'	Panel 'W'	41,600			4	200	4
7	200	4	41,600			Panel 'C' 200 A	Panel 'W'	41,600			4	200	4
9	200	4	41,600			Panel 'C'	Panel 'W'	41,600			4	200	4
11	200	4	41,600			Panel 'C'	Panel 'W'	41,600			4	200	4
13	200	4	41,600			Panel 'T' 200 A	Panel 'W'	41,600			4	200	4
15	200	4	41,600			Panel 'T'	Panel 'W'	41,600			4	200	4
17	200	4	41,600			Panel 'T'	Panel 'W'	41,600			4	200	4
19													
21													
23													
25													
27													
29													
31													
33													
35													
37													
39													
41													

NOTE: Electrical Contractor Responsible To Check w/ Local Electrical Supplier On Amps Interrupting Rating.
General Contractor And Electrical Contractor Shall Walk Through the Space With Owner Prior To Beginning Electrical Rough-In To Verify Fixture And Device Location.
General Contractor Shall Provide Owner With Cut Sheets Of Proposed Fixtures And Devices For Review And Approval Prior To Ordering.

PANEL BOARD SCHEDULE													
PANELBOARD DESIGNATION - A				TYPE OF PANEL - CIRCUIT BREAKER				MOUNTING - FLUSH					
VOLTAGE : 208/120V P154WIRE				BUS SIZE (AMPS) : 200A				MAIN SWITCH - MSB					
POLES - 3PHN				TOTAL SPACE REQUIRED : 42				NOTES :					
FEEDER - FROM EXISTING PANEL				AMPS INTERRUPTING RATING : 22 KA				MANUFACTURER : SQUARE D OR EQUAL					
C K T #	CB	WIRE SIZE	LOAD (WATTS)			LOAD DESCRIPTION	LOAD DESCRIPTION	LOAD (WATTS)			WIRE SIZE	CB	C K T #
			A Ø	B Ø	C Ø			A Ø	B Ø	C Ø			
1	40	8	2207			#4 - Beer Cmn O.S. Unit (10.6A)	#2 - Cooler O.S. Unit (10.6A)	2207			8	40	4
3	40	8	2207			#4 - Beer Cmn O.S. Unit (10.6A)	#2 - Cooler O.S. Unit (10.6A)	2207			8	40	4
5	40	8	2207			#4 - Beer Cmn O.S. Unit (10.6A)	#2 - Cooler O.S. Unit (10.6A)	2207			8	40	4
7	20	12	1839			#3 & #5 - Beer Cmn & Cooler I.S. Units (1.8A)	#6 - Freezer O.S. Unit (10.1A)	1839			8	40	10
9	20	12	1839			#7 - Freezer I.S. Unit (10.1A)	#6 - Freezer O.S. Unit (10.1A)	1839			8	40	10
11	20	12	1839			#7 - Freezer I.S. Unit (10.1A)	#6 - Freezer O.S. Unit (10.1A)	1839			8	40	10
13	20	12	1839			#21 - Hood Supply Air (9.1A)	#21 - Hood Exhaust Air (16A)	3328			8	40	14
15	20	12	1839			#21 - Hood Supply Air (9.1A)	#21 - Hood Exhaust Air (16A)	3328			8	40	14
17													
19													
21													
23													
25													
27													
29													
31													
33													
35													
37													
39													
41													

NOTE: Electrical Contractor Responsible To Check w/ Local Electrical Supplier On Amps Interrupting Rating.
General Contractor And Electrical Contractor Shall Walk Through the Space With Owner Prior To Beginning Electrical Rough-In To Verify Fixture And Device Location.
General Contractor Shall Provide Owner With Cut Sheets Of Proposed Fixtures And Devices For Review And Approval Prior To Ordering.

PANEL BOARD SCHEDULE													
PANELBOARD DESIGNATION - B				TYPE OF PANEL - CIRCUIT BREAKER				MOUNTING - FLUSH					
VOLTAGE : 208/120V P154WIRE				BUS SIZE (AMPS) : 200A				MAIN SWITCH - MSB					
POLES - 3PHN				TOTAL SPACE REQUIRED : 42				NOTES :					
FEEDER - FROM EXISTING PANEL				AMPS INTERRUPTING RATING : 22 KA				MANUFACTURER : SQUARE D OR EQUAL					
C K T #	CB	WIRE SIZE	LOAD (WATTS)			LOAD DESCRIPTION	LOAD DESCRIPTION	LOAD (WATTS)			WIRE SIZE	CB	C K T #
			A Ø	B Ø	C Ø			A Ø	B Ø	C Ø			
1	20	12	500			#28 - 2 Door Cooler (4.3A)	Recept: 100 - E, 108 - 6N/W	1260			12	20	2
3	40	8	3619			#40 - Hot Wall (17.4A)	Freezer & Cooler Lights	137			12	20	4
5	40	8	3619			#40 - Hot Wall (17.4A)	Freezer & Cooler Lights	137			12	20	4
7	30	10	2122			#60 - Hot Display Case (10.2A)	Recept: 100 - E (L/T/C)	3600			10	30	18
9	30	10	2122			#60 - Hot Display Case (10.2A)	Recept: 100 - E (L/T/C)	3600			10	30	18
11	20	12	1800			#56 Microwave Oven	Recept: 100 - E (L/T/C)	3600			10	12	12
13	50	6	9600			#55 - Ventless Dbl. Oven (46A)							14
15	50	6	9600			#55 - Ventless Dbl. Oven (46A)							14
17													
19													
21													
23													
25													
27													
29													
31													
33													
35													
37													
39													
41													

NOTE: Electrical Contractor Responsible To Check w/ Local Electrical Supplier On Amps Interrupting Rating.
General Contractor And Electrical Contractor Shall Walk Through the Space With Owner Prior To Beginning Electrical Rough-In To Verify Fixture And Device Location.
General Contractor Shall Provide Owner With Cut Sheets Of Proposed Fixtures And Devices For Review And Approval Prior To Ordering.

PANEL BOARD SCHEDULE													
PANELBOARD DESIGNATION - C				TYPE OF PANEL - CIRCUIT BREAKER				MOUNTING - FLUSH					
VOLTAGE : 208/120V P154WIRE				BUS SIZE (AMPS) : 200A				MAIN SWITCH - MSB					
POLES - 3PHN				TOTAL SPACE REQUIRED : 42				NOTES :					
FEEDER - FROM EXISTING PANEL				AMPS INTERRUPTING RATING : 22 KA				MANUFACTURER : SQUARE D OR EQUAL					
C K T #	CB	WIRE SIZE	LOAD (WATTS)			LOAD DESCRIPTION	LOAD DESCRIPTION	LOAD (WATTS)			WIRE SIZE	CB	C K T #
			A Ø	B Ø	C Ø			A Ø	B Ø	C Ø			
1	20	12	1748			#71 - Ice Machine	Lights - 101, 102, 103, 104, 105, 106	760			12	20	2
3	20	12	345			#43 - Beer Disp. OA)	Lights Behind Counter, 100, Beer/Fish, Beerw.	1680			12	20	4
5	20	12	943			#44 - Ice Machine (8.2A)	Recept. - 102, 105, 106	1980			12	20	6
7	10	6240				#54 - Self Serv. Refg.	Recept. - 101 W/W, 107	1800			12	20	8
9	10	6240				#54 - Self Serv. Refg.	Recept. - O.S. - W/S/E	1440			12	20	10
11	20	12	863			#55 - 9 Pan Pizza Prep. Unit (7.5A)					12	20	12
13	8	2760				#19 - Single Comp. Sink Disposal							14
15	8	2760				#19 - Single Comp. Sink Disposal							16
17	8	2760				#16 - 3 Comp. Sink Disposal							18
19	8	2760				#16 - 3 Comp. Sink Disposal							20
21	20	12	180			#49 - Island Counter							22
23													24
25													26
27													28
29													30
31													32
33													34
35													36
37													38
39													40
41													42

NOTE: Electrical Contractor Responsible To Check w/ Local Electrical Supplier On Amps Interrupting Rating.
General Contractor And Electrical Contractor Shall Walk Through the Space With Owner Prior To Beginning Electrical Rough-In To Verify Fixture And Device Location.
General Contractor Shall Provide Owner With Cut Sheets Of Proposed Fixtures And Devices For Review And Approval Prior To Ordering.

PANEL BOARD SCHEDULE													
PANELBOARD DESIGNATION - D				TYPE OF PANEL - CIRCUIT BREAKER				MOUNTING - FLUSH					
VOLTAGE : 208/120V P154WIRE				BUS SIZE (AMPS) : 200A				MAIN SWITCH - MSB					
POLES - 3PHN				TOTAL SPACE REQUIRED : 42				NOTES :					
FEEDER - FROM EXISTING PANEL				AMPS INTERRUPTING RATING : 22 KA				MANUFACTURER : SQUARE D OR EQUAL					
C K T #	CB	WIRE SIZE	LOAD (WATTS)			LOAD DESCRIPTION	LOAD DESCRIPTION	LOAD (WATTS)			WIRE SIZE	CB	C K T #
			A Ø	B Ø	C Ø			A Ø	B Ø	C Ø			
1	50	6	7363			4 Ton RTU #1 (35.4A)	4 Ton RTU #1 (35.4A)	7363			6	50	2
3	50	6	7363			4 Ton RTU #1 (35.4A)	4 Ton RTU #1 (35.4A)	7363			6	50	2
5	50	6	7363			4 Ton RTU #2 (35.4A)	4 Ton RTU #2 (35.4A)	7363			6	50	2
7	50	6	7363			4 Ton RTU #2 (35.4A)	4 Ton RTU #2 (35.4A)	7363			6	50	2
9													10
11													12
13													14
15													16
17													18
19													20
21													22
23													24
25													