

Standard Series Work Tables

Stainless Steel
with 2" Turnup

Model No.

T2424CWP-3-T



Additional Sizes

T2424CWP-3-T	T3018CWP-3-T
T2430CWP-3-T	T3024CWP-3-T
T2436CWP-3-T	T3030CWP-3-T
T2448CWP-3-T	T3036CWP-3-T
T2460CWP-3-T	T3048CWP-3-T
T2472CWP-3-T	T3060CWP-3-T
T2496CWP-3-T	T3072CWP-3-T
T3015CWP-3-T	T3096CWP-3-T

T2424CWP-3-T

*Shown Here

Features:

- 18 Gauge, 304 Series Stainless Steel Top
- Galvanized Under Shelf and Galvanized Legs
- Constructed with a 2" Boxed End Turnup

Warranty Info:

- See Last Page

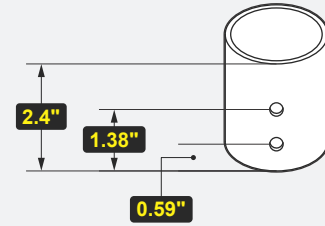
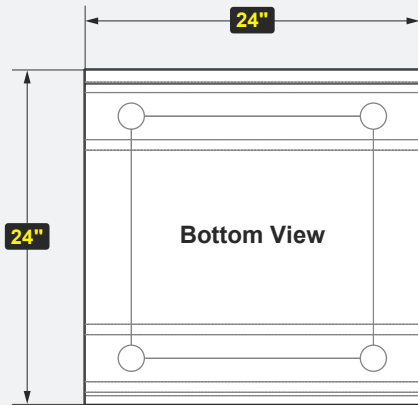


Revised **04/17/2024**

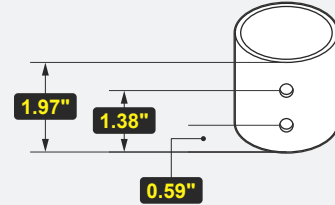


T2424CWP-3-T	T2424CWP-3-T	T2460CWP-3-T	T3018CWP-3-T	T3048CWP-3-T
	T2430CWP-3-T	T2472CWP-3-T	T3024CWP-3-T	T3060CWP-3-T
	T2436CWP-3-T	T2496CWP-3-T	T3030CWP-3-T	T3072CWP-3-T
	T2448CWP-3-T	T3015CWP-3-T	T3036CWP-3-T	T3096CWP-3-T

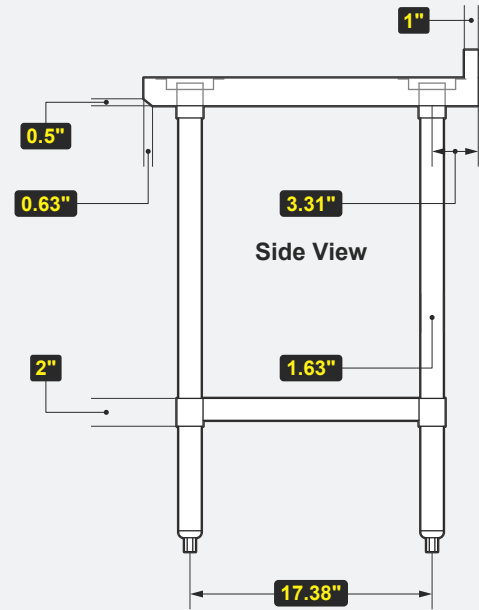
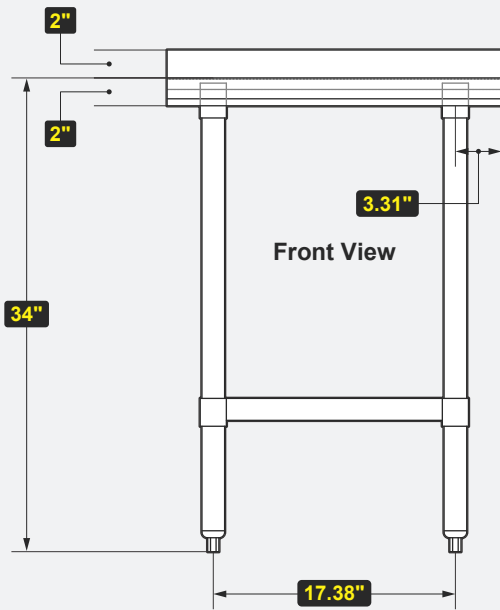
www.servware.com
 Phone:(800).768.5953
 Fax:(800).976.1299



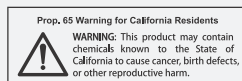
Channel Socket



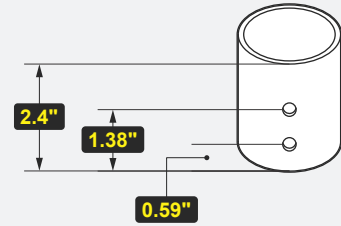
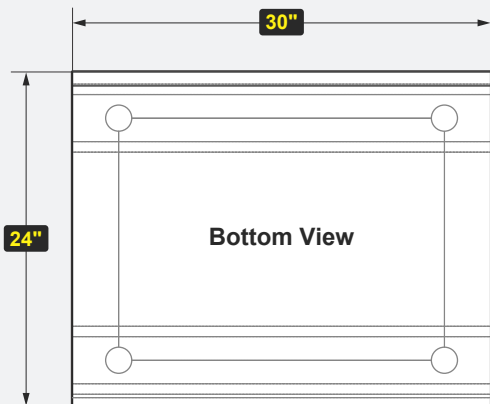
Undershelf Socket



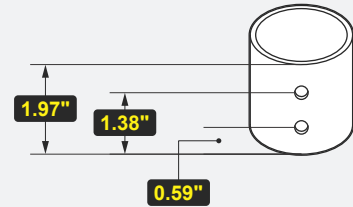
MODEL #	DESCRIPTION	DIMENSIONS	WEIGHT/LBS.
		(W x D x H)	(Shipping)
T2424CWP-3-T	18 Gauge 304 S/S Top	24" W x 24" D x 34" H	36 lbs.



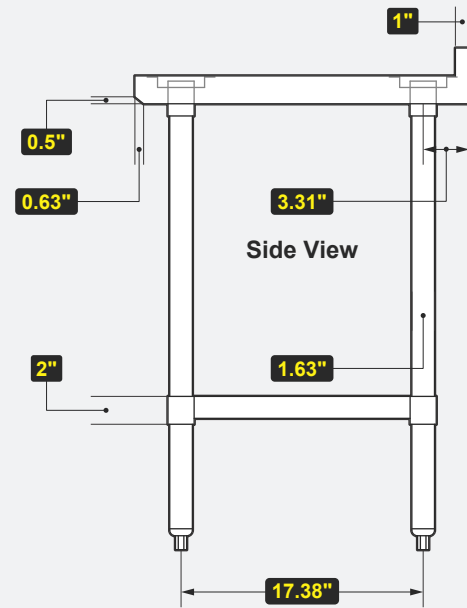
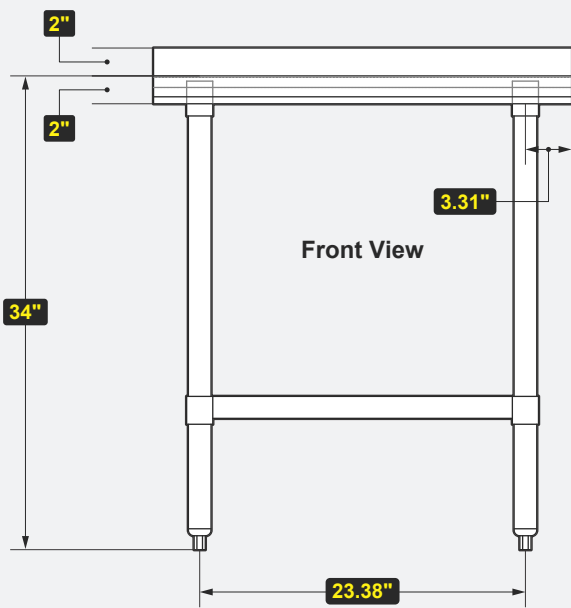
Phone:(800).768.5953
 Fax:(800).976.1299



Channel Socket



Undershelf Socket



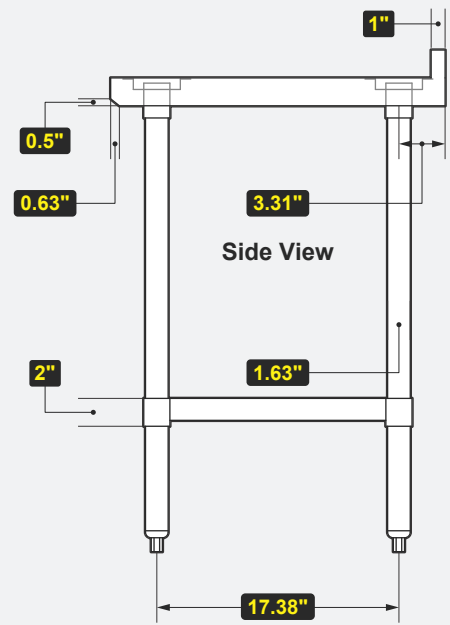
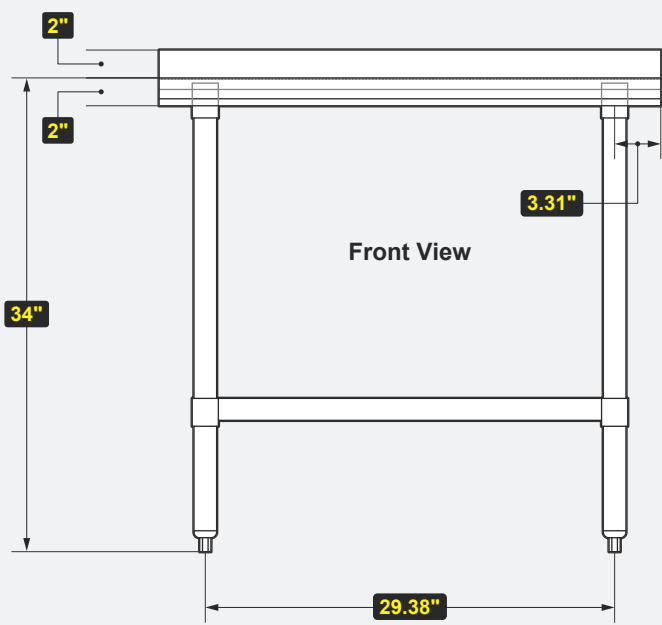
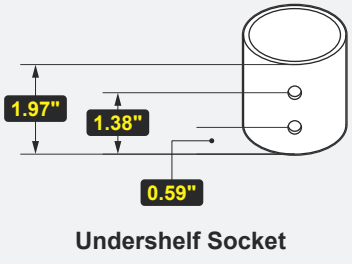
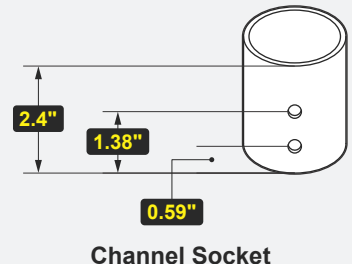
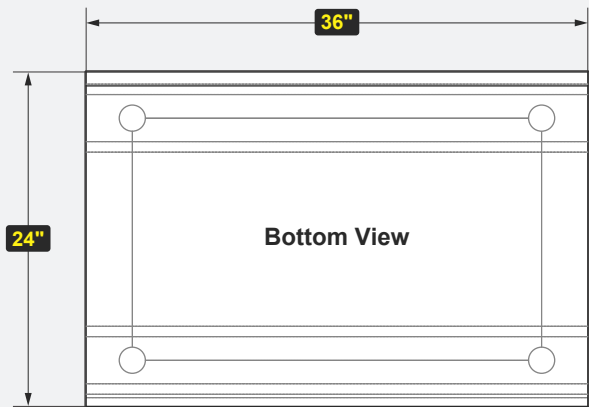
MODEL #	DESCRIPTION	DIMENSIONS	WEIGHT/LBS.
		(W x D x H)	(Shipping)
T2430CWP-3-T	18 Gauge 304 S/S Top	30" W x 24" D x 34" H	42 lbs.



Prop. 65 Warning for California Residents
 WARNING: This product may contain chemicals known to the State of California to cause cancer, birth defects, or other reproductive harm.



Phone:(800).768.5953
 Fax:(800).976.1299



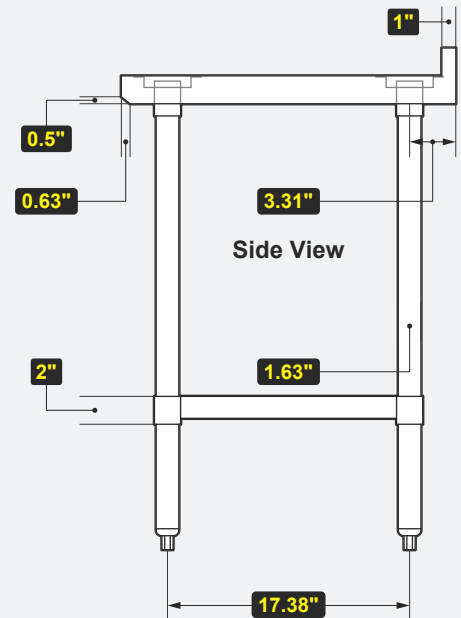
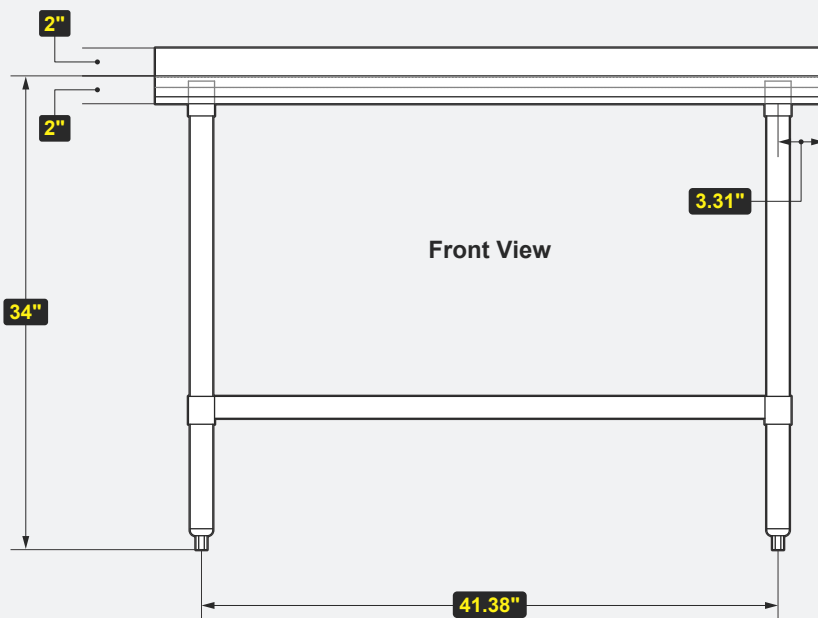
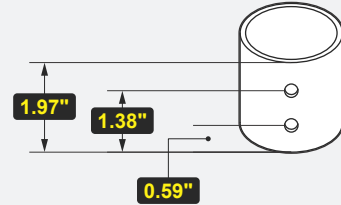
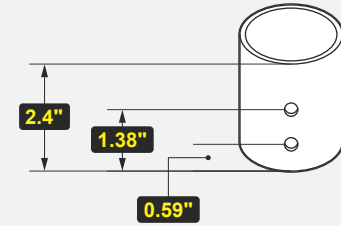
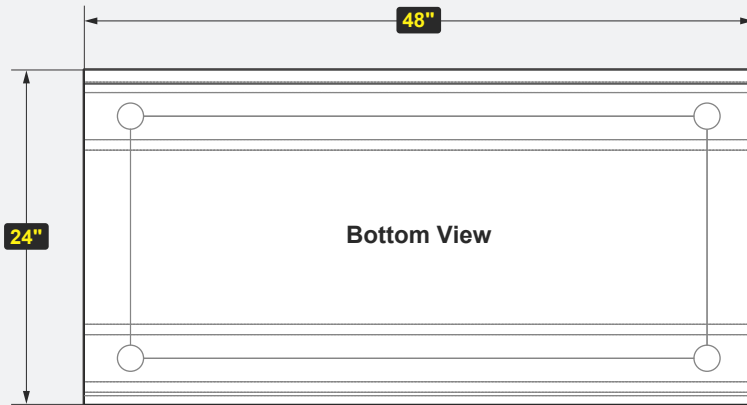
MODEL #	DESCRIPTION	DIMENSIONS	WEIGHT/LBS.
		(W x D x H)	(Shipping)
T2436CWP-3-T	18 Gauge 304 S/S Top	36" W x 24" D x 34" H	46 lbs.



Prop. 65 Warning for California Residents
WARNING: This product may contain chemicals known to the State of California to cause cancer, birth defects, or other reproductive harm.



Phone:(800).768.5953
 Fax:(800).976.1299

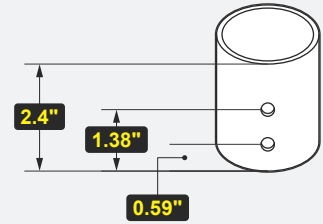
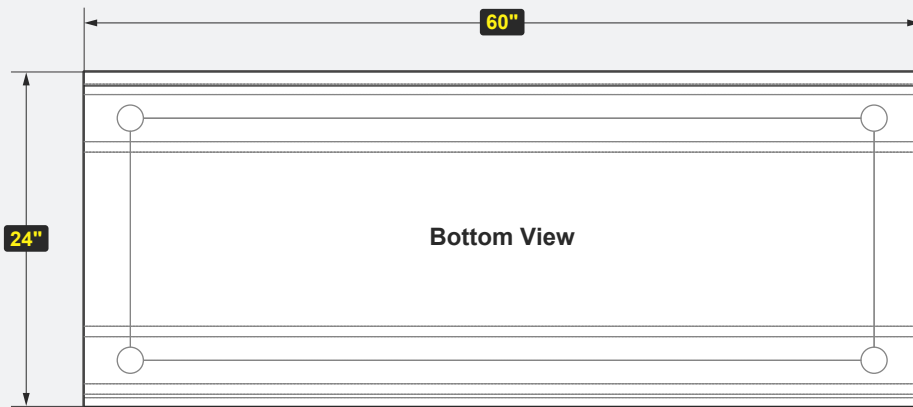


MODEL #	DESCRIPTION	DIMENSIONS	WEIGHT/LBS.
		(W x D x H)	(Shipping)
T2448CWP-3-T	18 Gauge 304 S/S Top	48" W x 24" D x 34" H	56 lbs.

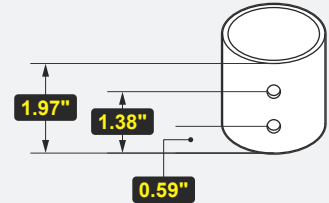


Prop. 65 Warning for California Residents
 WARNING: This product may contain chemicals known to the State of California to cause cancer, birth defects, or other reproductive harm.

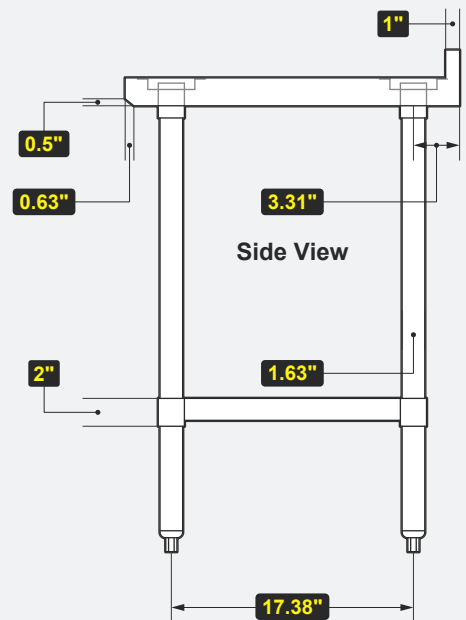
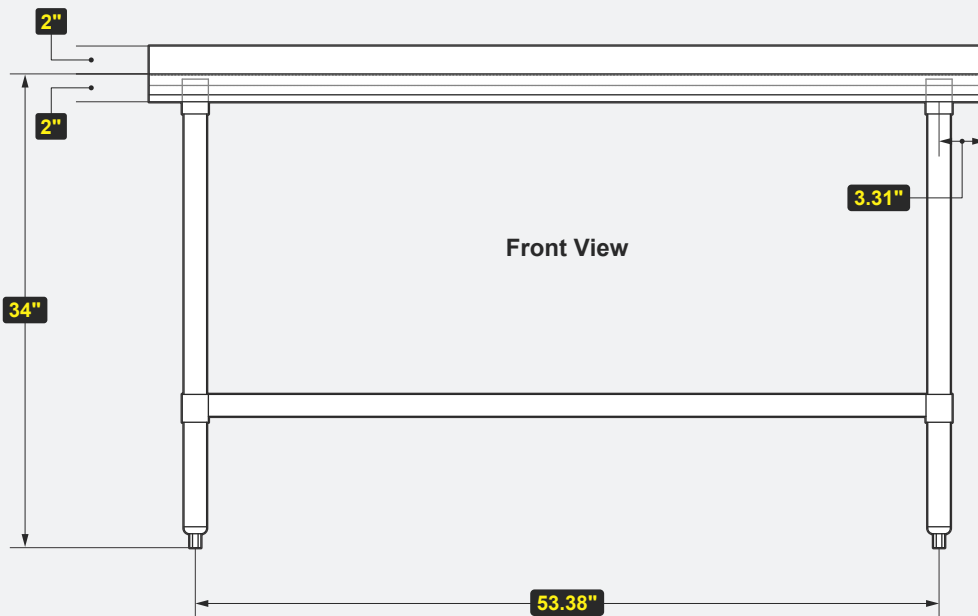




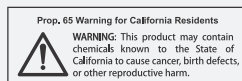
Channel Socket



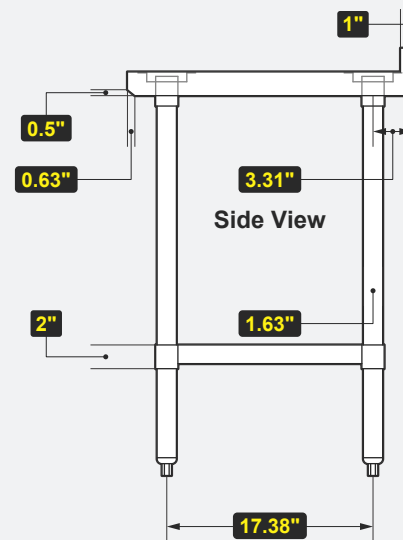
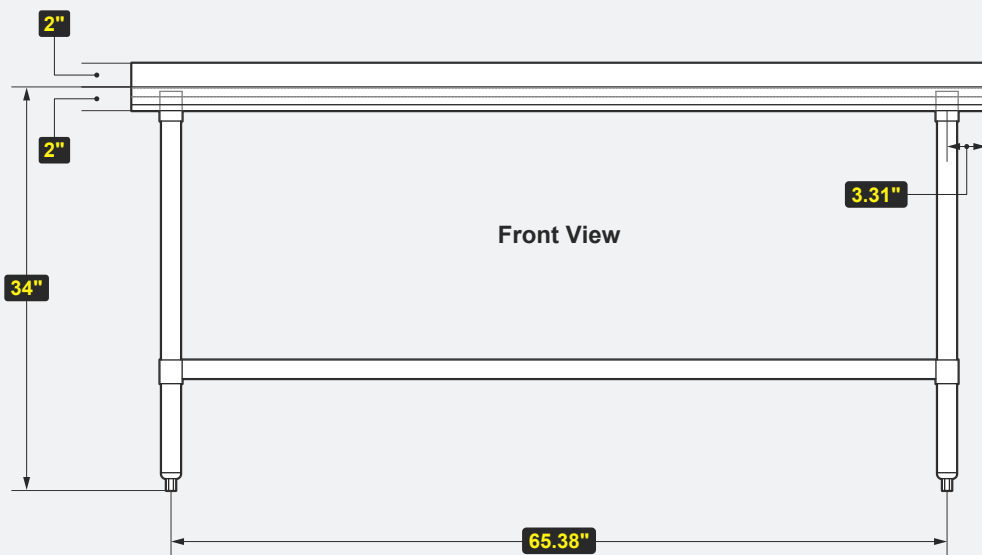
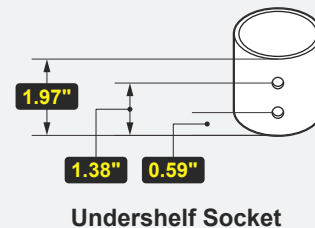
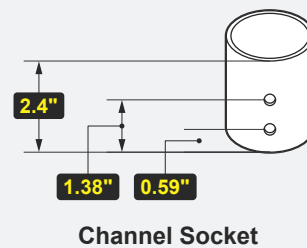
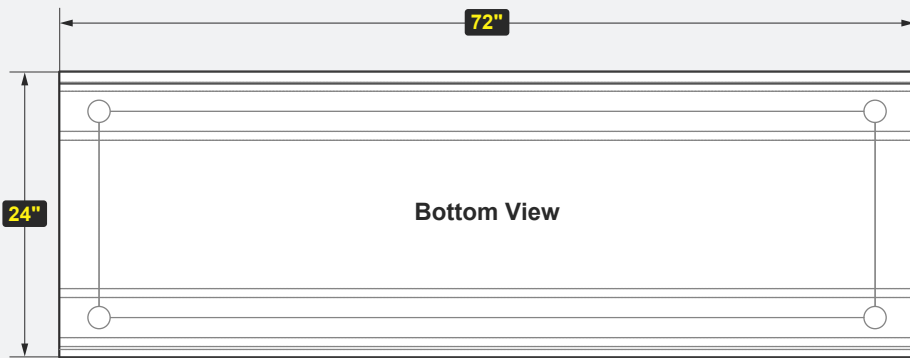
Undershelf Socket



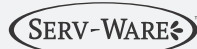
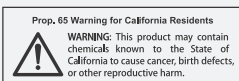
MODEL #	DESCRIPTION	DIMENSIONS	WEIGHT/LBS.
		(W x D x H)	(Shipping)
T2460CWP-3-T	18 Gauge 304 S/S Top	60" W x 24" D x 34" H	66 lbs.

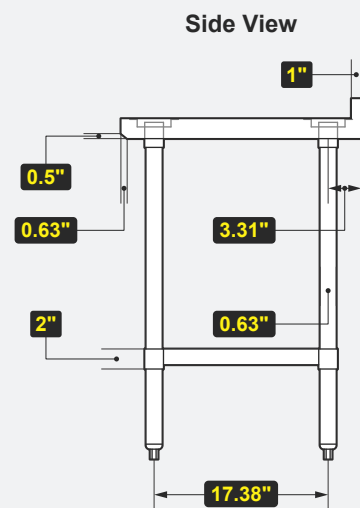
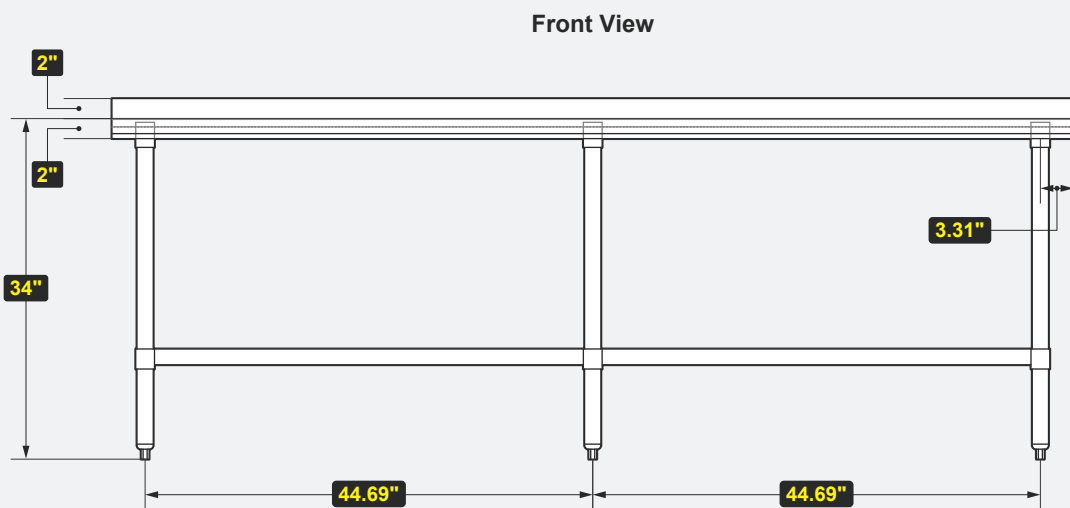
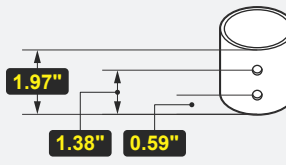
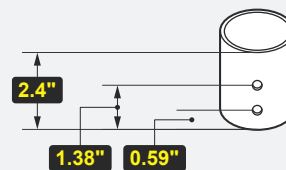
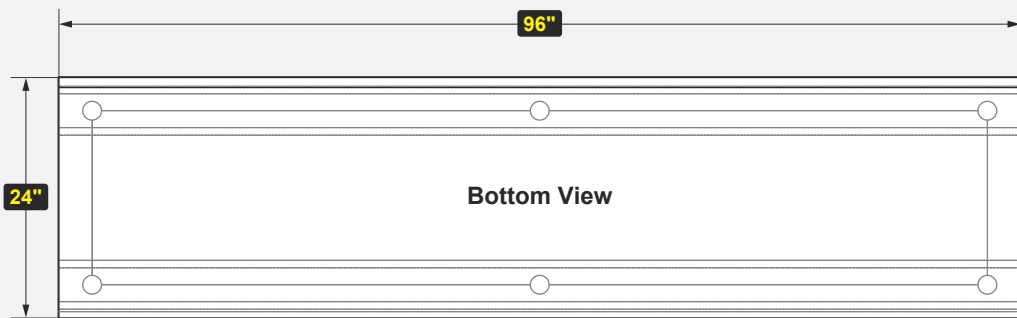


Phone:(800).768.5953
 Fax:(800).976.1299



MODEL #	DESCRIPTION	DIMENSIONS	WEIGHT/LBS.
		(W x D x H)	(Shipping)
T2472CWP-3-T	18 Gauge 304 S/S Top	72" W x 24" D x 34" H	76 lbs.

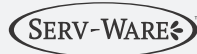




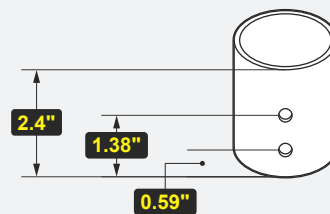
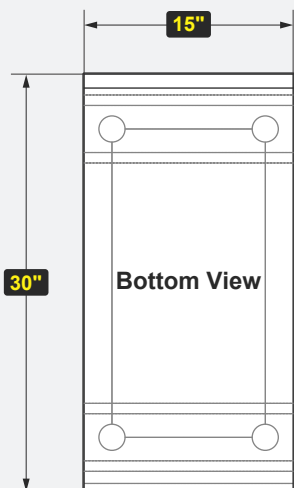
MODEL #	DESCRIPTION	DIMENSIONS	WEIGHT/LBS.
		(W x D x H)	(Shipping)
T2496CWP-3-T	18 Gauge 304 S/S Top w/ 6 legs	96" W x 24" D x 34" H	96 lbs.



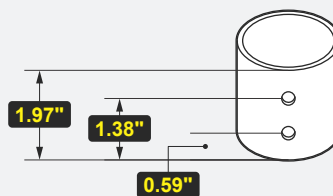
Prop. 65 Warning for California Residents
WARNING: This product may contain chemicals known to the State of California to cause cancer, birth defects, or other reproductive harm.



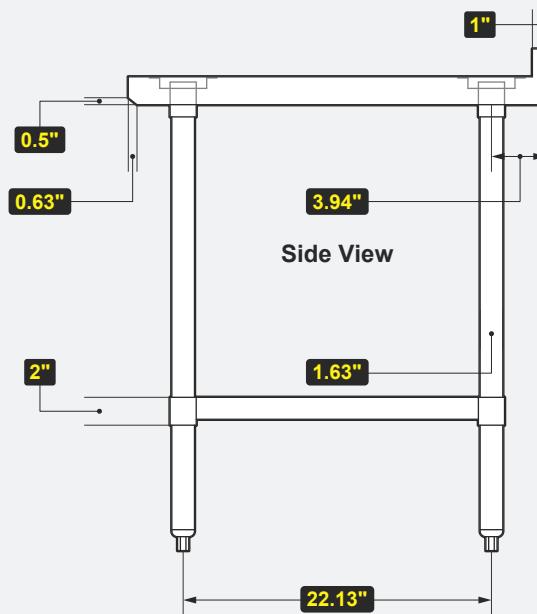
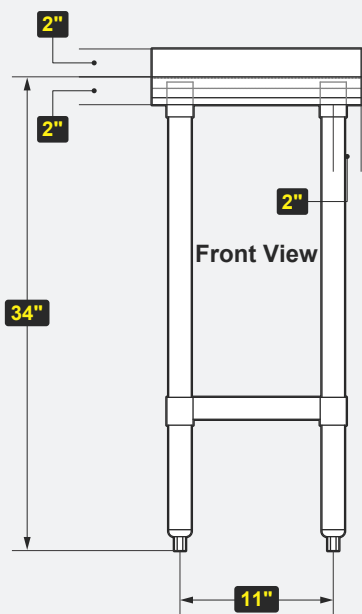
Phone:(800).768.5953
 Fax:(800).976.1299



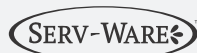
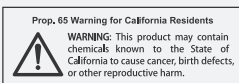
Channel Socket



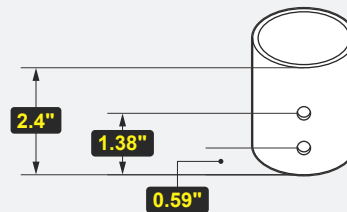
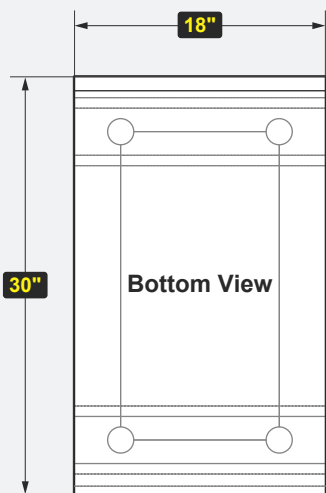
Undershelf Socket



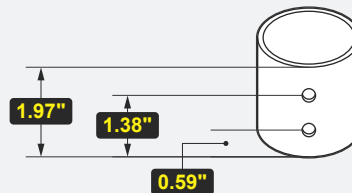
MODEL #	DESCRIPTION	DIMENSIONS	WEIGHT/LBS.
		(W x D x H)	(Shipping)
T3015CWP-3-T	18 Gauge 304 S/S Top Filler	15" W x 30" D x 34" H	35 lbs.



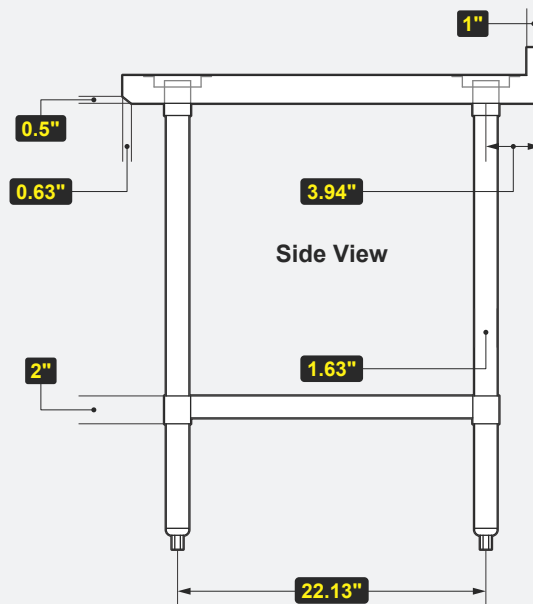
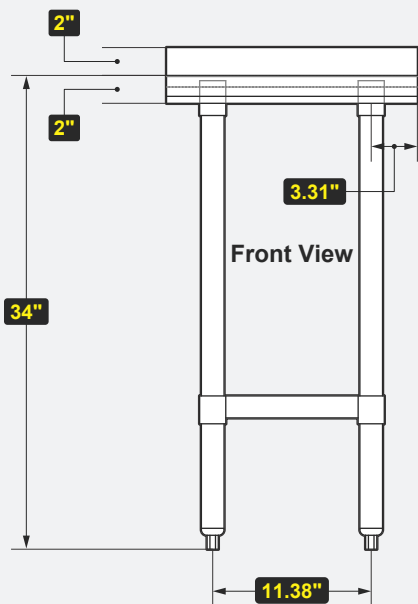
Phone:(800).768.5953
 Fax:(800).976.1299



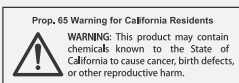
Channel Socket



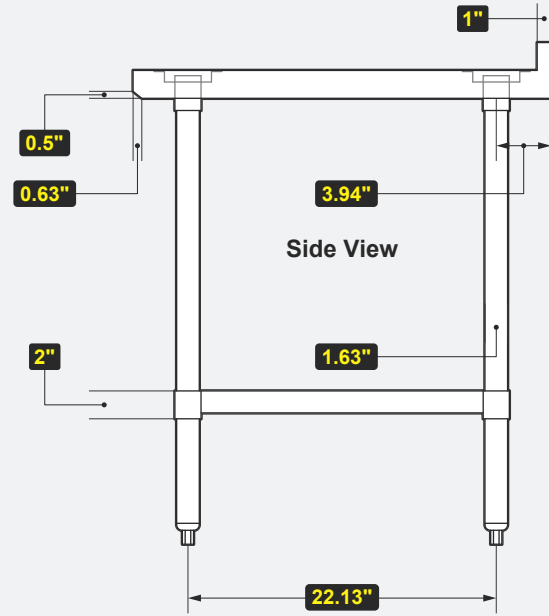
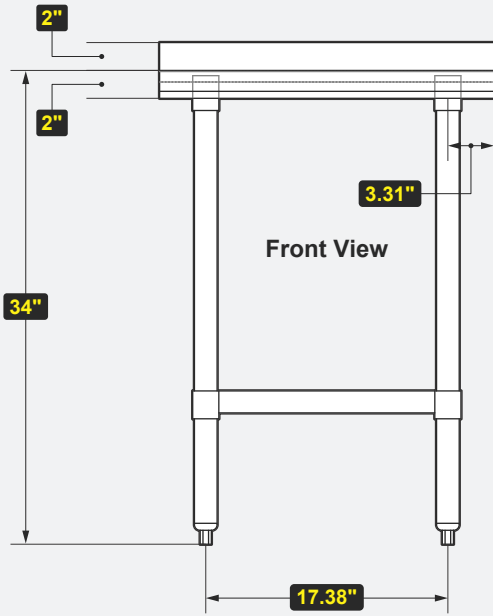
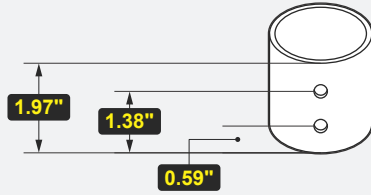
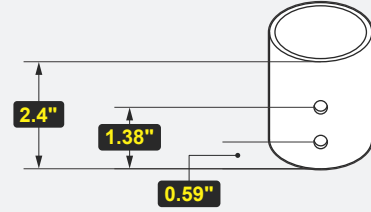
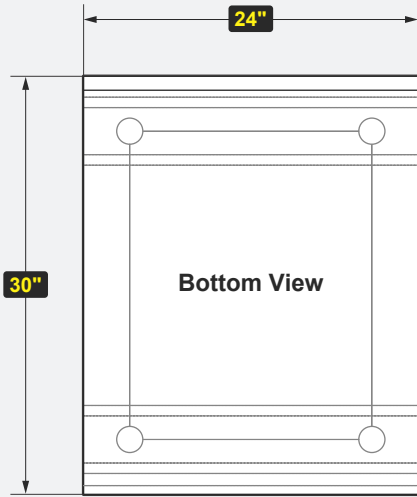
Undershelf Socket



MODEL #	DESCRIPTION	DIMENSIONS	WEIGHT/LBS.
		(W x D x H)	(Shipping)
T3018CWP-3-T	18 Gauge 304 S/S Top Filler	18" W x 30" D x 34" H	40 lbs.



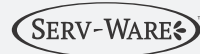
Phone:(800).768.5953
 Fax:(800).976.1299

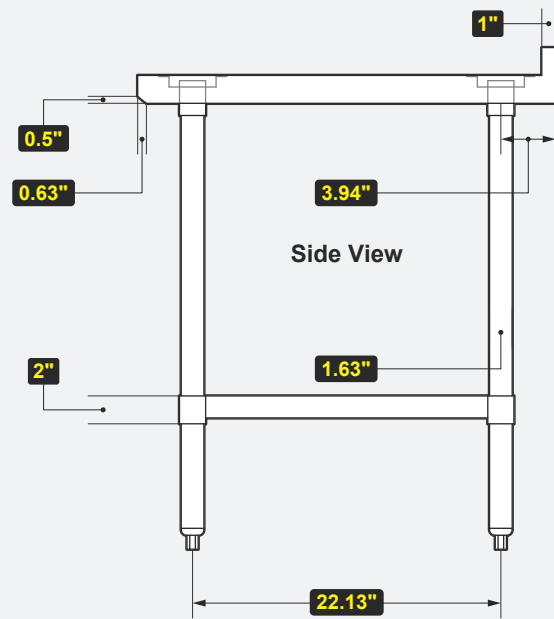
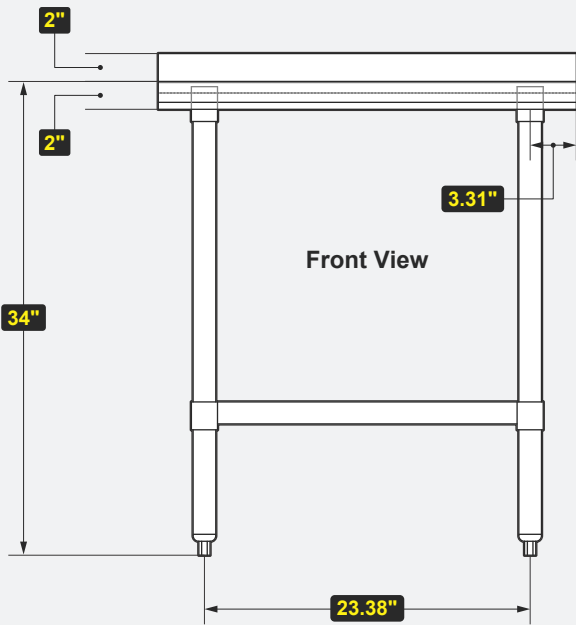
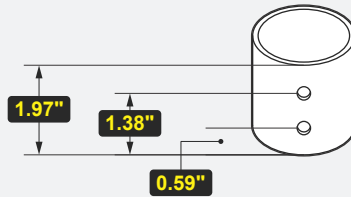
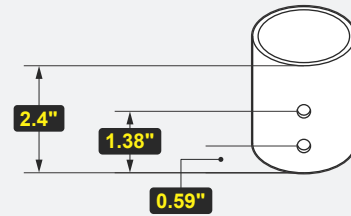
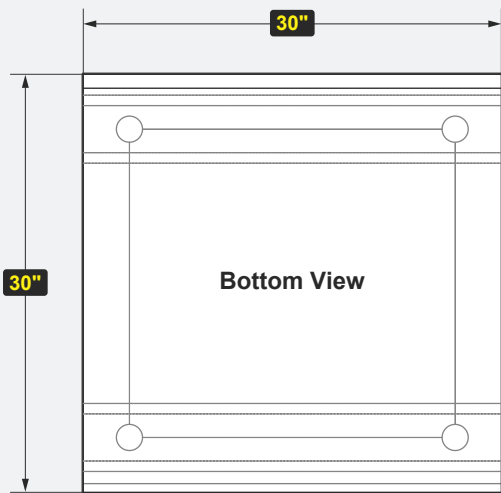


MODEL #	DESCRIPTION	DIMENSIONS	WEIGHT/LBS.
		(W x D x H)	(Shipping)
T3024CWP-3-T	18 Gauge 304 S/S Top	24" W x 30" D x 34" H	43 lbs.



Prop. 65 Warning for California Residents
WARNING: This product may contain chemicals known to the State of California to cause cancer, birth defects, or other reproductive harm.





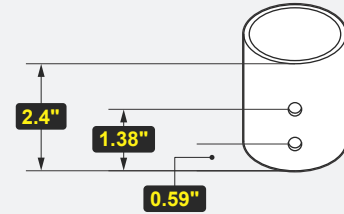
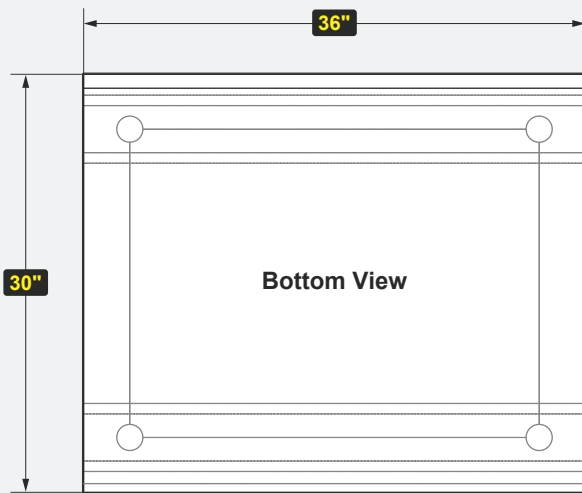
MODEL #	DESCRIPTION	DIMENSIONS	WEIGHT/LBS.
		(W x D x H)	(Shipping)
T3030CWP-3-T	18 Gauge 304 S/S Top	30" W x 30" D x 34" H	49 lbs.



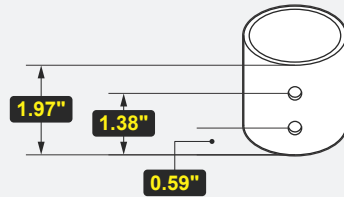
Prop. 65 Warning for California Residents
WARNING: This product may contain chemicals known to the State of California to cause cancer, birth defects, or other reproductive harm.



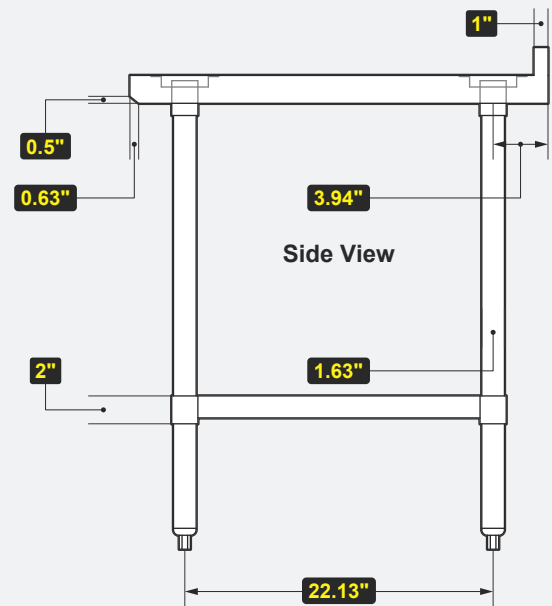
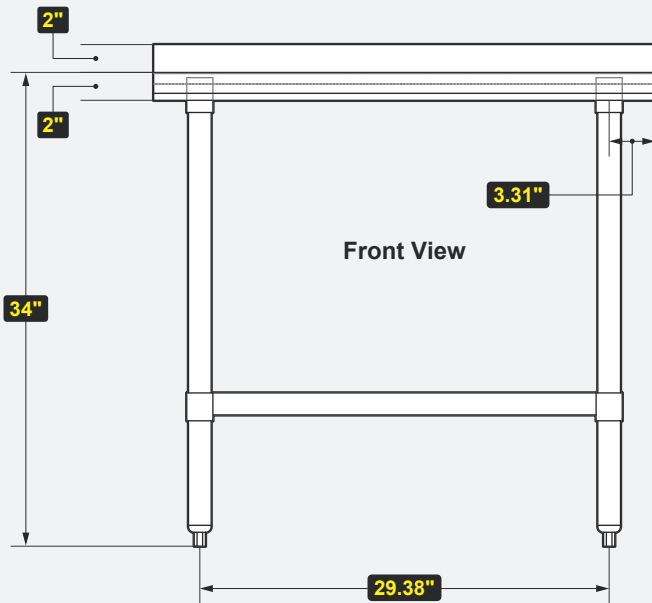
Phone:(800).768.5953
 Fax:(800).976.1299



Channel Socket



Undershelf Socket

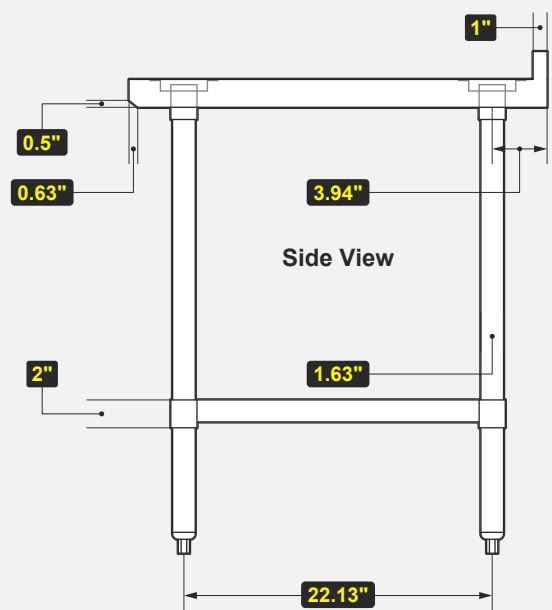
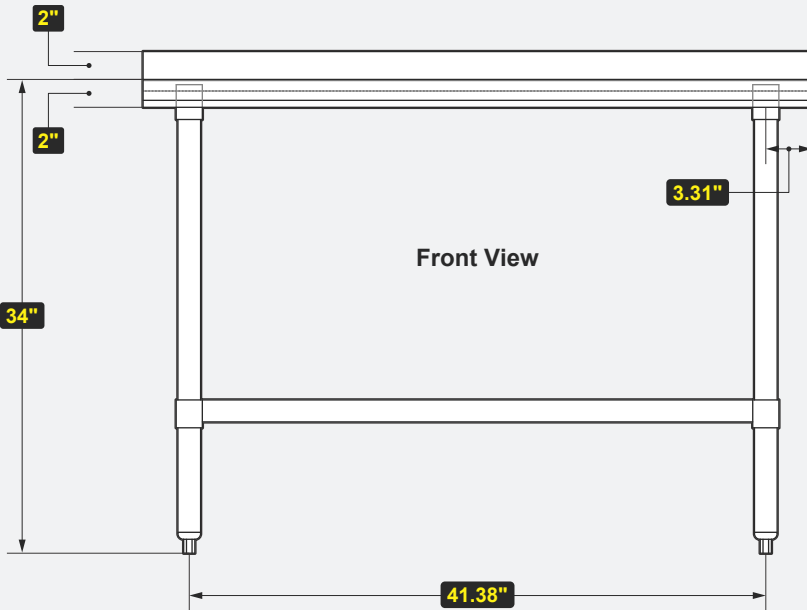
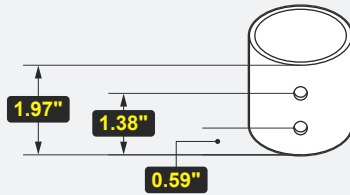
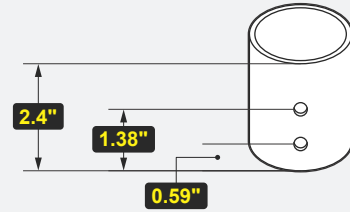
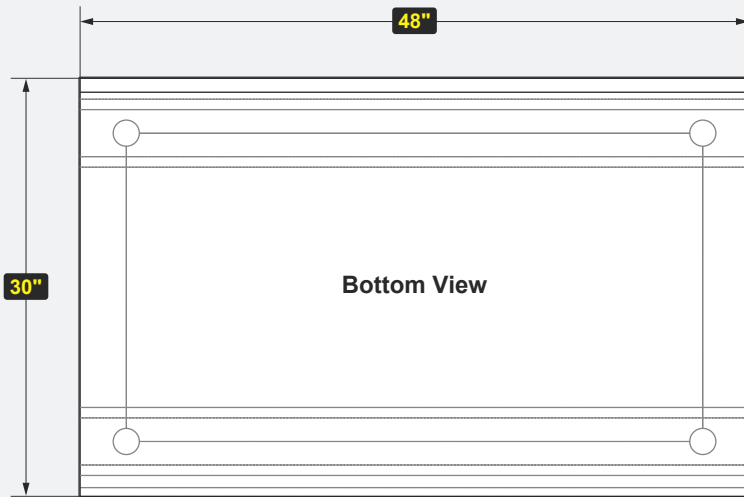


MODEL #	DESCRIPTION	DIMENSIONS	WEIGHT/LBS.
		(W x D x H)	(Shipping)
T3036CWP-3-T	18 Gauge 304 S/S Top	36" W x 30" D x 34" H	52 lbs.

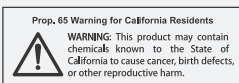


Prop. 65 Warning for California Residents
 WARNING: This product may contain chemicals known to the State of California to cause cancer, birth defects, or other reproductive harm.

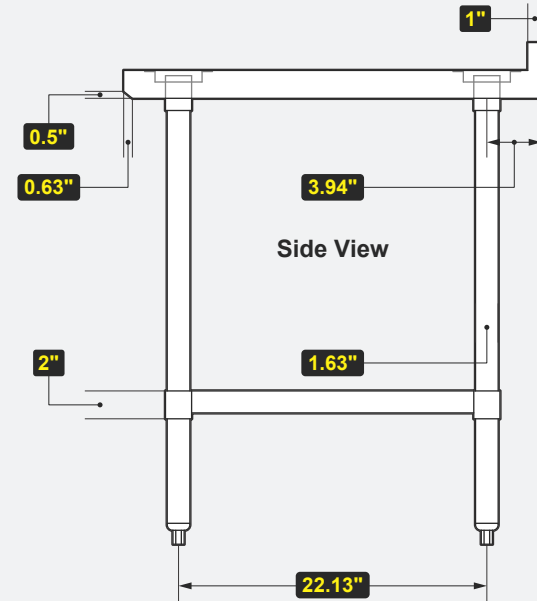
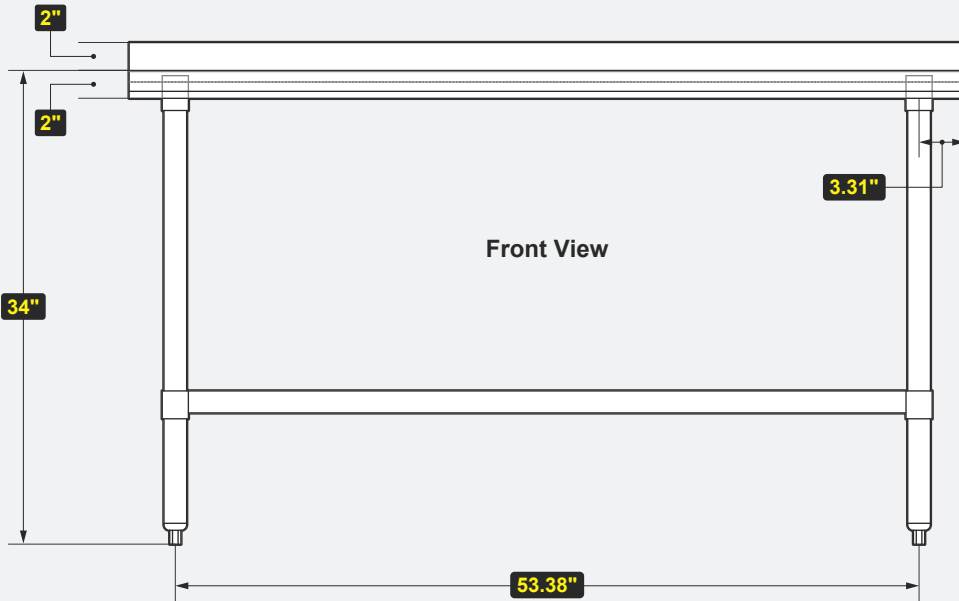
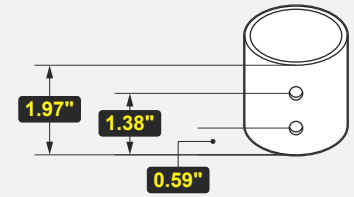
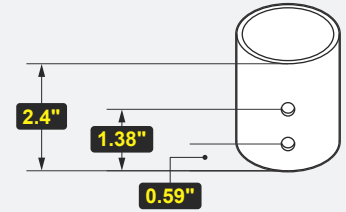
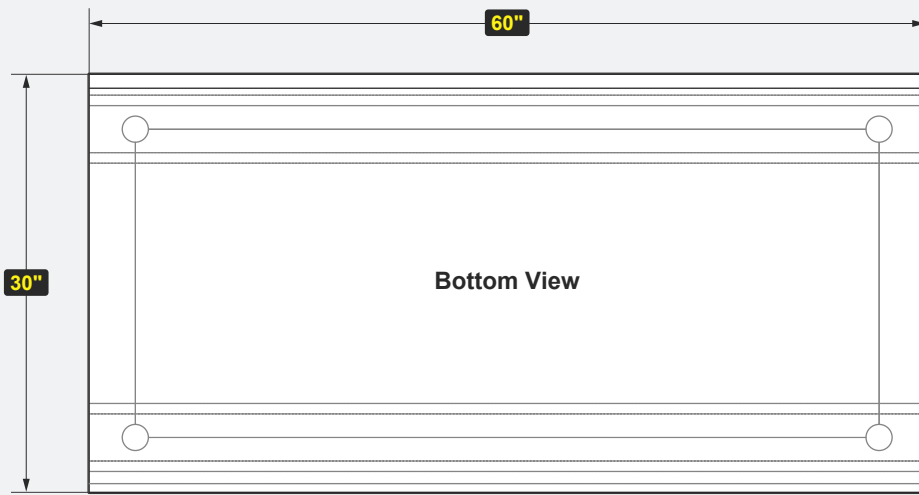




MODEL #	DESCRIPTION	DIMENSIONS	WEIGHT/LBS.
		(W x D x H)	(Shipping)
T3048CWP-3-T	18 Gauge 304 S/S Top	48" W x 30" D x 34" H	62 lbs.



Phone: (800) 768.5953
 Fax: (800) 976.1299

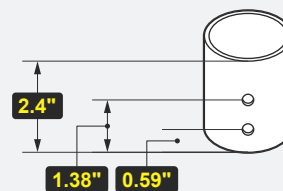
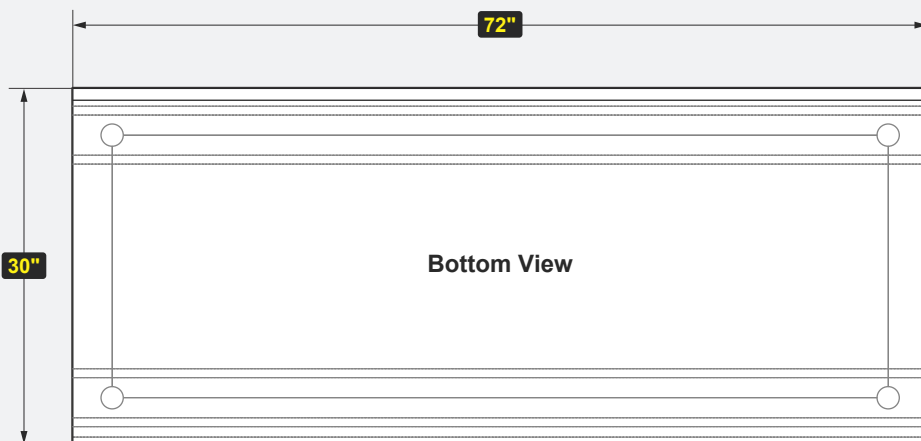


MODEL #	DESCRIPTION	DIMENSIONS	WEIGHT/LBS.
		(W x D x H)	(Shipping)
T3060CWP-3-T	18 Gauge 304 S/S Top	60" W x 30" D x 34" H	72 lbs.

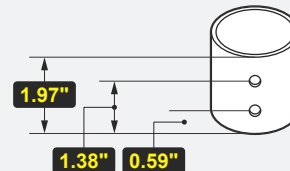


Prop. 65 Warning for California Residents
WARNING: This product may contain chemicals known to the State of California to cause cancer, birth defects, or other reproductive harm.

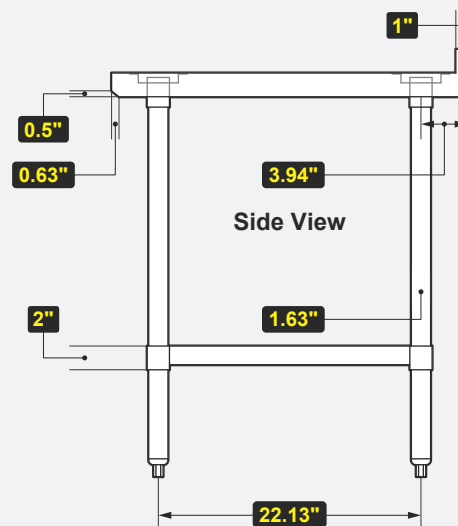
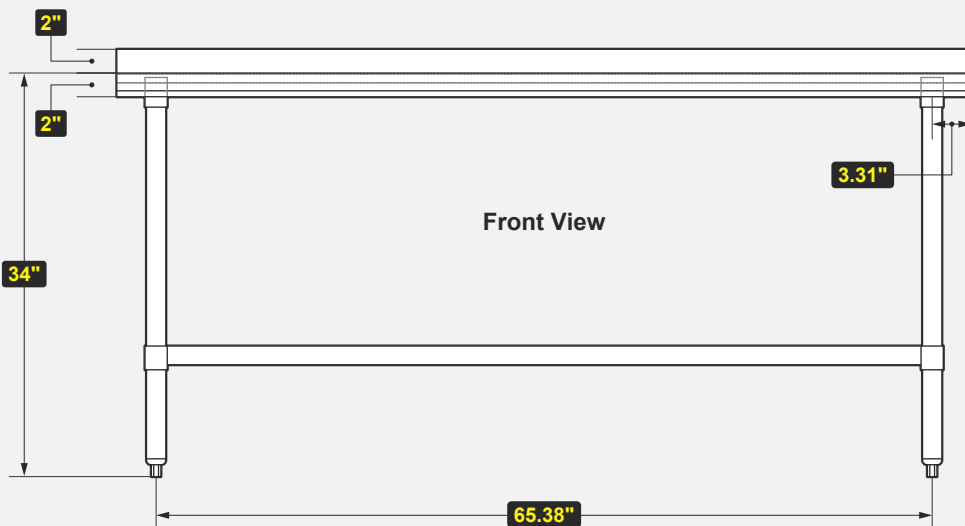




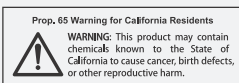
Channel Socket



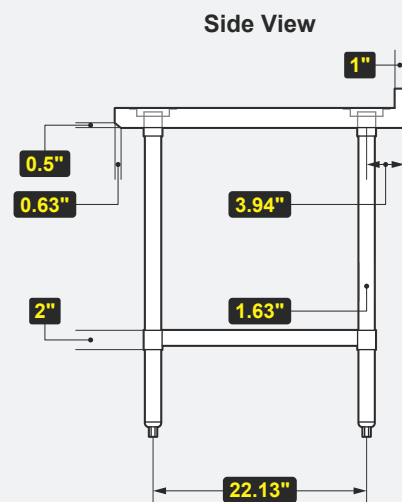
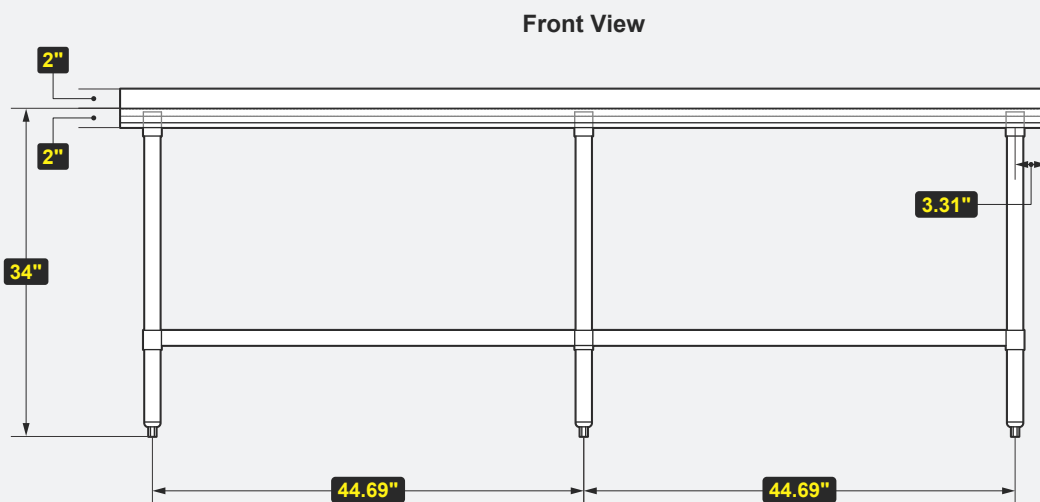
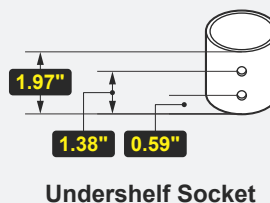
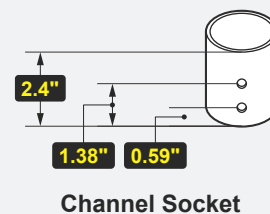
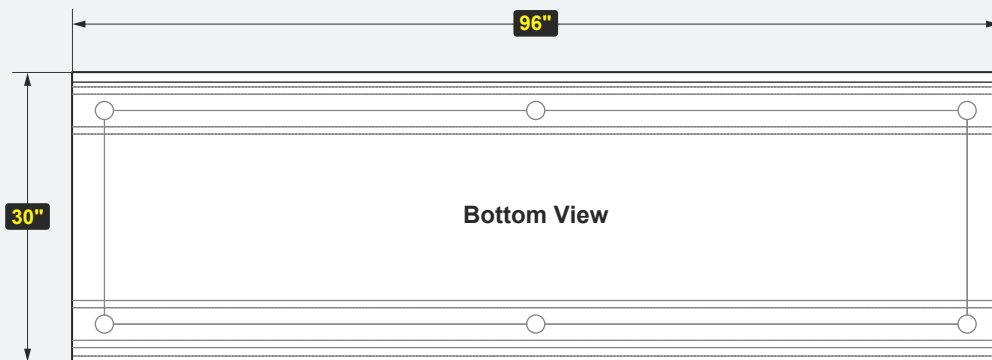
Undershelf Socket



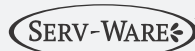
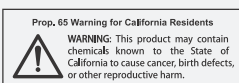
MODEL #	DESCRIPTION	DIMENSIONS	WEIGHT/LBS.
		(W x D x H)	(Shipping)
T3072CWP-3-T	18 Gauge 304 S/S Top	72" W x 30" D x 34" H	82 lbs.



Phone:(800).768.5953
 Fax:(800).976.1299



MODEL #	DESCRIPTION	DIMENSIONS	WEIGHT/LBS.
		(W x D x H)	(Shipping)
T3096CWP-3	18 Gauge 304 S/S Top w/ 6 legs	96" W x 30" D x 34" H	118 lbs.



All Serv-Ware Work Tables, Overshelves, Guards, Cutting Board Kits, & Equipment Stands

Notify carrier of damage! Inspect all components immediately.

Serv-Ware Products warrants to the original owner/user that any product manufactured shall be free of defects in material or workmanship, under normal use and maintenance, for a period of one (1) year from the original installation date or a maximum of eighteen (18) months after the shipment date from Serv-Ware Products. Proper installation and start-up in accordance with the instruction manual supplied will be taken into consideration when evaluating the warranty on the specified equipment.

This warranty does not include labor charges. Serv-Ware Products reserves the right to have any warranty "failed" parts returned to the factory for inspection before agreeing to covering the above stated warranty.

This warranty does not include parts coverage resulting from:

- Adverse operating conditions for the product.
- Failure to clean and/or maintain the product.
- Standard wear & tear items.
- Damage that is caused by employees or customers.
- Any part or assembly that has been altered, modified, or changed.
- Equipment usage in a residential or non-commercial setting.

LIMITATION OF LIABILITY AND OTHER WARRANTIES

Serv-Ware Products assumes no liability for misuse or inadequate maintenance of the Product. In no event shall the user be entitled to recover incidental or consequential damages. Including but not limited to; damages for inconvenience, food loss, rental or replacement equipment, loss of profits, or other commercial loss.

Warranties stated above are the only warranties made in connection with the sale and distribution of the Products. ANY AND ALL OTHER EXPRESSED STATUTORY AND IMPLIED WARRANTIES APPLICABLE TO THE PRODUCT INCLUDING, WITHOUT LIMITATION, ALL IMPLIED WARRANTIES OF MERCHANTABILITY AND FITNESS FOR USE ARE EXPRESSLY DISCLAIMED. The warranty information set forth above shall be governed by and construed in accordance with the laws of the State of North Carolina and, if applicable, the laws of the United States of America. The warranty, as stated, is extended only to the original owner/user and is not assignable. Serv-Ware reserves the right to change product specifications without notice due to constant product improvement.