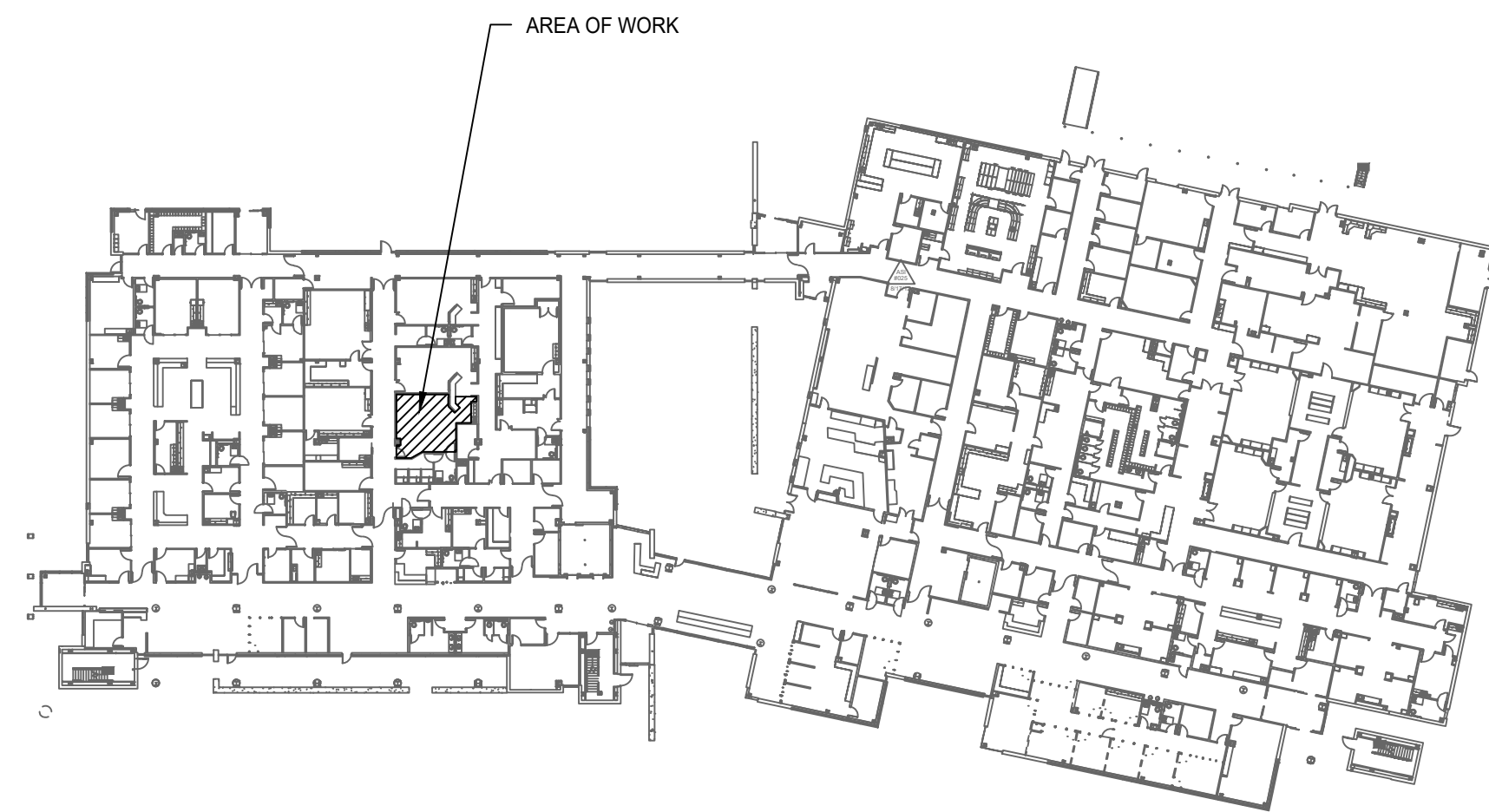


Sprinkler Design Data

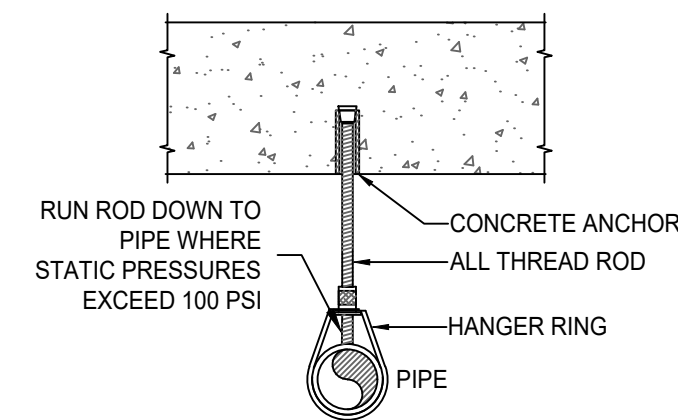
Project Name: HARNETT HEALTH RAD ROOM RENOVATION	System: Wet
Project Street Address: 215 BRIGHTWATER DR.	Sys. Sq. Ft.: ± ---
Suite: 1318	Floor#: 1
Designed By: Impact Fire Services	Phone: 919-469-8099
Occupancy: HOSPITAL	Hazard: LIGHT
	Ceiling Height: Varies
	Total Bldg. Hgt.: Varies

Design Summary

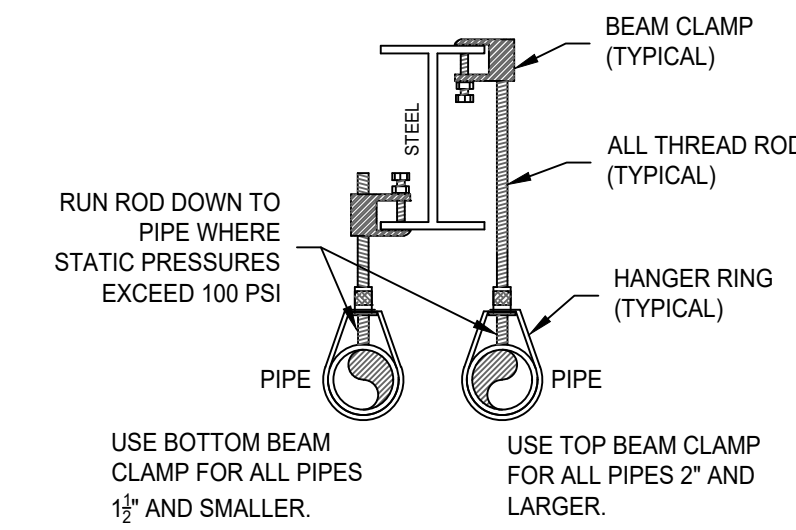
	System #1	System #2	System #3	System #4	System #5
Design Method	Calculated	Calculated	Calculated	Calculated	Calculated
Design Area #	1	1	1	1	1
Location	--	--	--	--	--
Type of System	Wet	Wet	Wet	Wet	Wet
Hazard Class	--	--	--	--	--
Criteria From	NFPA 13	NFPA 13	NFPA 13	NFPA 13	NFPA 13
Design Area	-- Sq. Ft.	-- Sq. Ft.	-- Sq. Ft.	-- Sq. Ft.	-- Sq. Ft.
Sprinkler Spacing	-- Sq. Ft.	-- Sq. Ft.	-- Sq. Ft.	-- Sq. Ft.	-- Sq. Ft.
Density	--	--	--	--	--
K-factor	--	--	--	--	5.6
Hose Allowance	--	--	--	--	-- GPM
# Design Sprinklers	--	--	--	--	--
Special Application Spk	N/A	N/A	N/A	N/A	N/A
Requirement @ BOR	--	--	--	--	--
G.P.M. Req'd	--	--	--	--	--
P.S.I. Req'd	--	--	--	--	--
Requirement @ TEST	--	--	--	--	--
GPM Required	--	--	--	--	--
PSI Required	--	--	--	--	--
Safety factor @ Test	--	--	--	--	--
Dry Sys. Volume (gal)	N/A	N/A	N/A	N/A	N/A



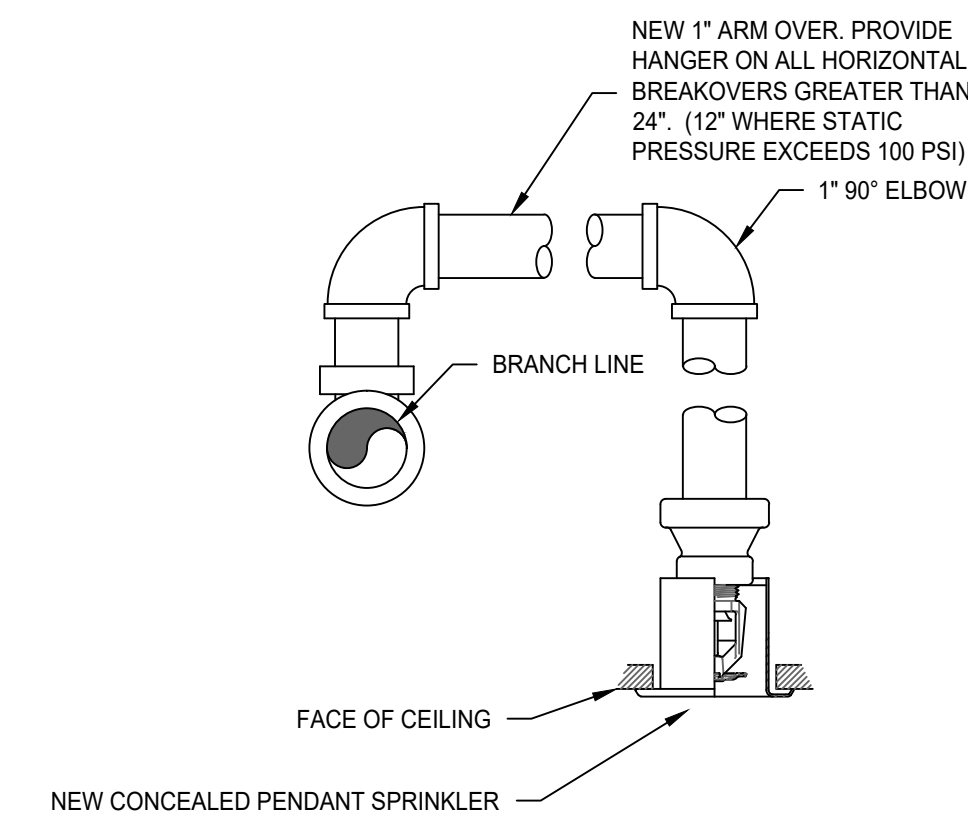
1 KEY PLAN
SCALE: N.T.S.



2 CONCRETE INSERT DETAIL
SCALE: N.T.S.



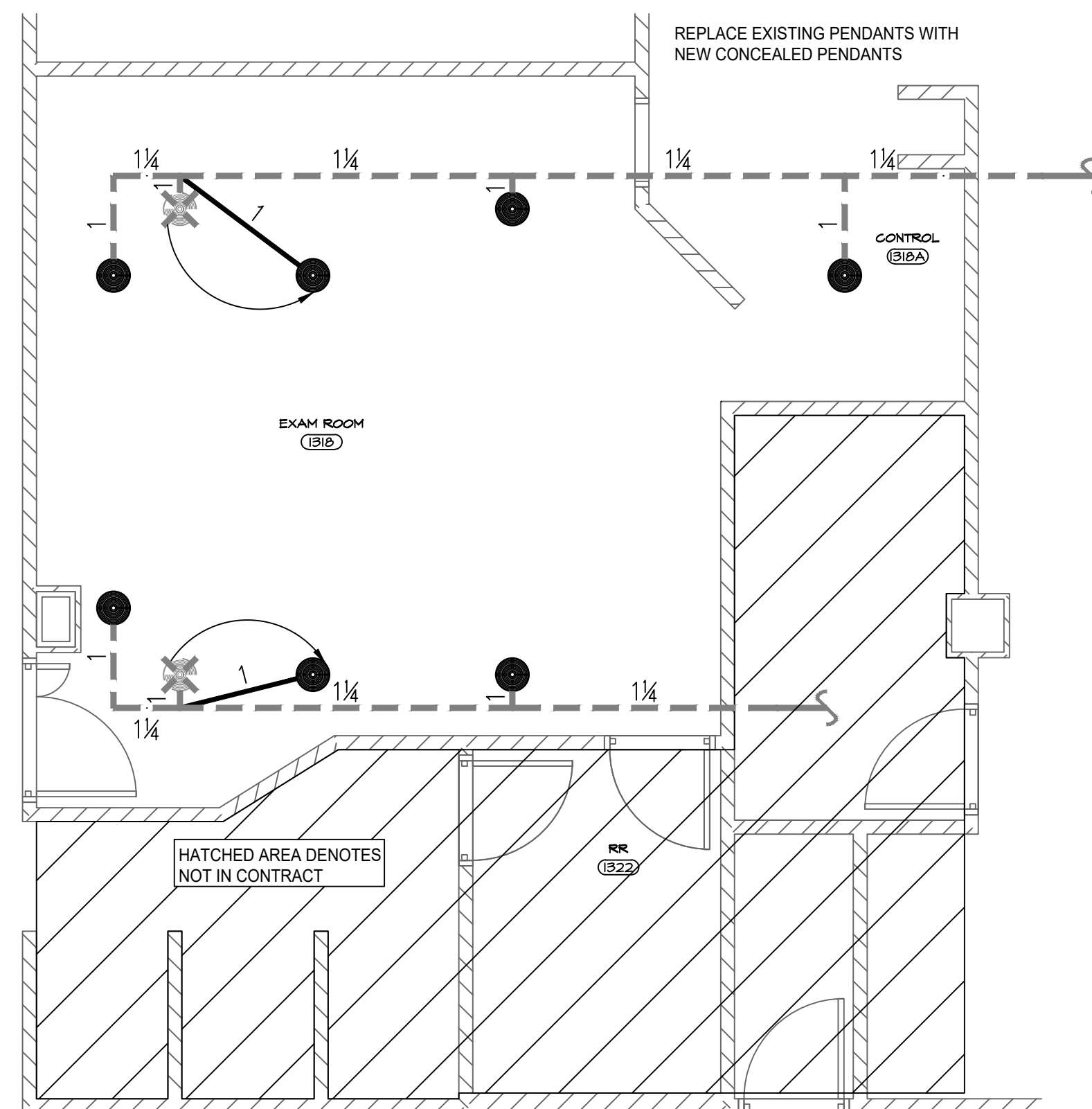
3 BEAM CLAMP DETAIL
SCALE: N.T.S.



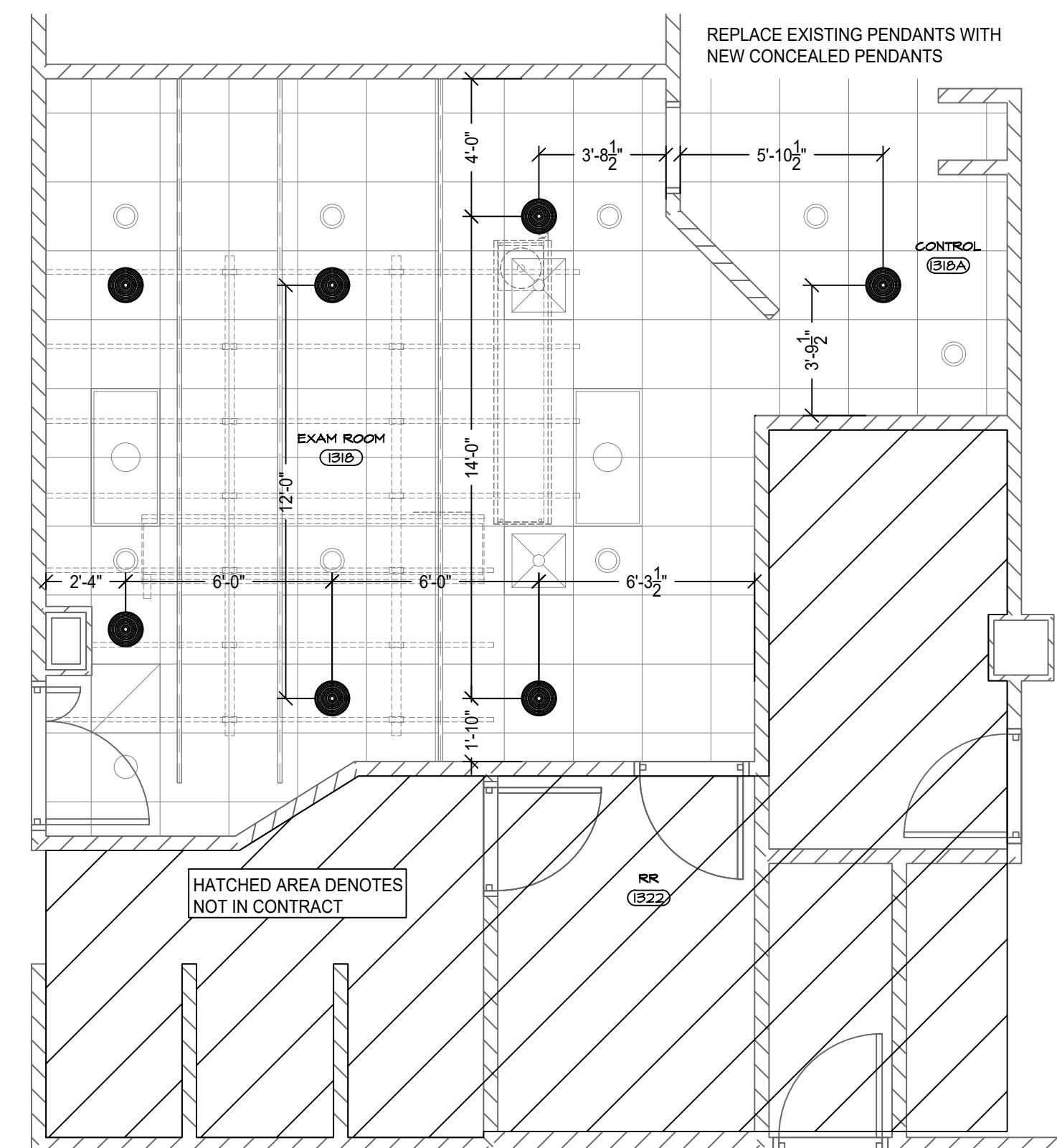
4 RETURN BEND DETAIL
SCALE: N.T.S.

FIRE PROTECTION GENERAL NOTES

- THE FIRE PROTECTION SYSTEM SHALL COMPLY WITH NFPA 13 (2013 EDITION), AND ALL APPLICABLE STATE AND LOCAL CODES.
- FINAL INSPECTION AND APPROVAL OF THE FIRE PROTECTION SYSTEM SHALL BE BY THE LOCAL FIRE DEPARTMENT, AND/OR ARCHITECT/ENGINEER WHERE APPLICABLE.
- PIPE ROUTING SHOWN INDICATES OUR INITIAL DESIGN AND LAYOUT. FINAL ROUTING AND ELEVATIONS SHALL BE BASED ON A FIELD CONDUCTED COORDINATION WITH ALL TRADES.
- FIRESTOP ALL PENETRATIONS OF SMOKE/FIRE WALLS, CEILINGS, FLOORS, ROOFS, ETC. USING UL LISTED FIRESTOP SEALANT.
- METHODS OF HANGING PIPES, HEADERS, AND BRANCHES SHALL BE IN ACCORDANCE WITH NFPA 13.
- ALL SPRINKLER HEADS MOUNTED IN THE CEILING SHALL BE A MINIMUM OF 4" AWAY FROM WALLS, CEILING HEIGHT CHANGES, OR ANY OTHER VERTICAL INTERSECTING SURFACE.
- A MINIMUM OF 18" INCHES FROM THE SPRINKLER DEFLECTOR TO THE TOP OF STORAGE/FILE CABINETS SHALL BE MAINTAINED FOR STANDARD SPRAY SPRINKLERS. A MIN. OF 36" INCHES IS REQUIRED.
- PROVIDE SPRINKLERS ABOVE AND BELOW ANY EXPOSED DUCTWORK 48" OR WIDER.
- ALL PORTIONS OF THE BUILDING WHERE WET SYSTEM PIPING IS ROUTED SHALL BE MAINTAINED TO A MINIMUM OF 40 DEG. FAHRENHEIT. THIS TEMPERATURE SHALL BE MAINTAINED BY THE OWNER AT ALL TIMES.
- PIPING SCHEDULE:
 - MAINS: SCH 10
 - BRANCH LINES: 1 1/2" AND UP: SCH 10
 - ALL 1" AND 1 1/4" PIPE: SCH 40



5 PIPING PLAN
SCALE: 1/4" = 1'-0"

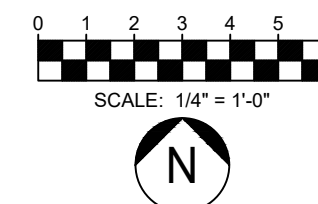


6 SPRINKLER PLAN
SCALE: 1/4" = 1'-0"

NOMINAL PIPE SIZE	MAXIMUM DISTANCE BETWEEN HANGERS									
	3/4"	1"	1 1/4"	1 1/2"	2"	2 1/2"	3"	4"	6"	
BLAZEMASTER CPVC	5'-6"	6'-0"	6'-6"	7'-0"	8'-0"	9'-0"	10'-0"	n/a	n/a	
THREADED LIGHTWALL	n/a	12'-0"	12'-0"	12'-0"	12'-0"	12'-0"	12'-0"	n/a	n/a	
STEEL PIPE (SCH 10/SCH 40)	n/a	12'-0"	12'-0"	15'-0"	15'-0"	15'-0"	15'-0"	15'-0"	15'-0"	

- 100 PSI STATIC PRESSURE ON SYSTEM REQUIRES UP-LIFT RESTRAINT WITHIN 12 INCHES HORIZONTALLY OF HEAD FOR ARM-OVERS AND END OF BRANCHLINE.
- THE UNSUPPORTED LENGTH BETWEEN THE END SPRINKLER AND THE LAST HANGER ON THE LINE SHALL NOT EXCEED 36" FOR 1" PIPE, 48" FOR 1-1/4" PIPE, AND 60" FOR 1-1/2" PIPE OR LARGER.
- THE CUMULATIVE HORIZONTAL LENGTH OF AN UNSUPPORTED ARM-OVER TO A SPRINKLER, SPRINKLER DROP, OR SPRIG-UP SHALL NOT EXCEED 24" OR 12" WHERE STATIC PRESSURE EXCEEDS 100 PSI

SPRINKLER LEGEND	
●	NEW CONCEALED PENDANT SPRINKLER.
●	NEW LOCATION OF RELOCATED CONCEALED PENDANT SPRINKLER.
—	NEW SPRINKLER PIPE. SIZE AS INDICATED.
- - -	EXISTING SPRINKLER PIPING TO REMAIN.



REVISIONS			
#	DATE	DESCRIPTION	BY
1			
2			
3			
4			
5			

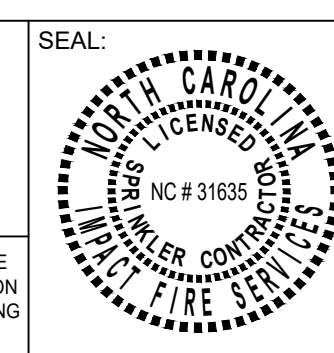
IMPACT FIRE

131 INTERNATIONAL DR
MORRISVILLE, NC 27560
P: (919) 469-1672 F: (866) 275-4157
NC STATE LIC. #31635

SPRINKLER LEGEND										
SYM	MAKE	SIN	TYPE	THRD	K-FAC	RESP	TEMP	FINISH	NOTES	QTY
●	VIC		CP	1/2"	5.6	QR	155F	CHROME	--	7
TOTAL SPRINKLERS THIS PROJECT										7
TOTAL SPRINKLERS THIS SHEET										7

HARNETT HEALTH RAD ROOM
215 BRIGHTWATER DR. STE. 1318
LILLINGTON, NC 27546

THIS DRAWING, THE INFORMATION AND DESIGN APPLICATION HEREIN CONTAINED, IS THE PROPERTY OF IMPACT FIRE SERVICES, AND IS LOANED UPON THE CONDITION THAT THE SAME WILL BE RETURNED TO IMPACT FIRE SERVICES UPON REQUEST. INFORMATION CONTAINED HEREIN SHALL BE TREATED AS CONFIDENTIAL. REPRODUCTION OF THIS DRAWING OR ANY PART THEREOF, REQUIRES WRITTEN CONSENT FROM IMPACT FIRE SERVICES.



DRAWN BY: DMH
DATE: 3/28/24
SCALE: AS NOTED

Gabriel Pettit
GABRIEL PETTIT, SET
NICET LEVEL IV, #108071

CONTRACT NUMBER
2C-34019249

SHEET TITLE
FIRE PROTECTION PLAN

SHEET NUMBER
FP1