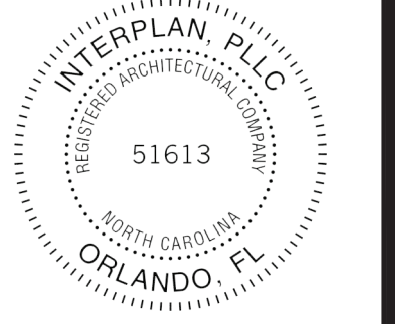
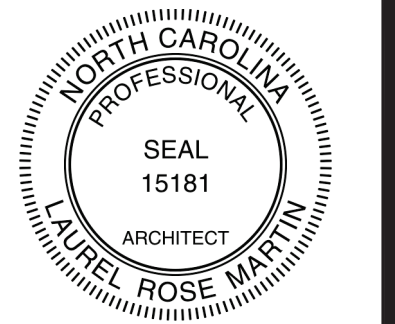


FOOD LION STORE # 1237 BUILDING CODE SUMMARY FOR ALL COMMERCIAL PROJECTS (APPENDIX B)

2018 NC CODE



FOOD LION
REMODEL
STORE #1237
133 MITTIE HADDOCK DRIVE
CAMERON, NC, 28326

PROJECT NO: 2023.0026
DATE: 09/06/23

2 OF 43
G1.02
APPENDIX B - NOTES

2018 APPENDIX B
BUILDING CODE SUMMARY FOR ALL COMMERCIAL PROJECTS
(EXCEPT 1 AND 2-FAMILY DWELLINGS AND TOWNHOUSES)
(Reproduce the following data on the building plans sheet 1 or 2)

Name of Project: EXISTING FOOD LION GROCERY STORE # 1237
Address: 133 MITTIE HADDOCK DR, CAMERON, NC Zip Code 28326
GROCERY STORE

Owner/Authorized Agent: _____ Phone # (_____) _____ E-Mail _____
Owned By: City/County Private State
Code Enforcement Jurisdiction: City County State

CONTACT: LAUREL R. MARTIN, ARCHITECT

DESIGNER FIRM	NAME	LICENSE #	TELEPHONE #
Architectural INTERPLAN PLLC	LAUREL R. MARTIN	15181	(407) 645-5008
Civil			
Electrical INTERPLAN PLLC	STACY HENSON	43636	(407) 645-5008
Fire Alarm			
Plumbing INTERPLAN PLLC	STACY HENSON	43636	(407) 645-5008
Mechanical			
Sprinkler-Standpipe			
Structural HIGGENBOTHAM ENG.	HAROLD HIGGENBOTHAM	033075	(407) 286-1787
Retaining Walls >5' High			
Other			

(*Other should include firms and individuals such as truss, precast, pre-engineered, interior designers, etc.)

2018 NC BUILDING CODE: New Building Addition Renovation
 1st Time Interior Completion
 Sheriff/Care - Contact the local inspection jurisdiction for possible additional procedures and requirements.
 Phased Construction - Sheriff/Care - Contact the local inspection jurisdiction for possible additional procedures and requirements.

2018 NC EXISTING BUILDING CODE: EXISTING: Prescriptive Repair Chapter 14
Alteration: Level I Level II Level III
 Historic Property Change of Use

CONSTRUCTED: (date) _____ CURRENT OCCUPANCY(S) (Ch. 3): MERCANTILE
RENOVATED: (date) _____ PROPOSED OCCUPANCY(S) (Ch. 3): MERCANTILE

RISK CATEGORY (Table 1604.5): Current: I II III IV
Proposed: I II III IV

BASIC BUILDING DATA
Construction Type: I-A II-A III-A IV V-A
 I-B II-B III-B V-B
Sprinklers: No Partial Yes NFPA 13 NFPA 13R NFPA 13D
Standpipes: No Yes Class I II III Wet Dry
Fire District: No Yes Flood Hazard Area: No Yes
Special Inspections Required: No Yes (Contact the local inspection jurisdiction for additional procedures and requirements)

FLOOR	EXISTING (SQ FT)	NEW (SQ FT)	SUB-TOTAL
3rd Floor	N/A	-	-
2nd Floor	N/A	-	-
Mezzanine	N/A	-	-
1st Floor	33,826 G.S.F.	-	33,826
Basement	N/A	-	-
TOTAL	33,826 G.S.F.		

ALLOWABLE AREA

Primary Occupancy Classification(s):
Assembly A-1 A-2 A-3 A-4 A-5
Business
Educational
Factory F-1 Moderate F-2 Low
Hazardous H-1 Detonate H-2 Deflagrate H-3 Combust H-4 Health H-5 HPM
Institutional I-1 Condition 1 2
 I-2 Condition 1 2
 I-3 Condition 1 2 3 4 5
 I-4
Mercantile
Residential R-1 R-2 R-3 R-4
Storage S-1 Moderate S-2 Low High-piled
 Parking Garage Open Enclosed Repair Garage
Utility and Miscellaneous

Accessory Occupancy Classification(s): N/A
Incidental Uses (Table 509): N/A
Special Uses (Chapter 4 - List Code Sections): N/A
Special Provisions: (Chapter 5 - List Code Sections): N/A
Mixed Occupancy: No Yes Separation: _____ Hr. Exception: _____

Non-Separated Use (508.3) - The required type of construction for the building shall be determined by applying the height and area limitations for each of the applicable occupancies to the entire building. The most restrictive type of construction, so determined, shall apply to the entire building.
 Separated Use (508.4) - See below for area calculations for each story, for the area of the occupancy shall be such that the sum of the ratios of the actual floor area of each use divided by the allowable floor area for each use shall not exceed 1.

Actual Area of Occupancy A + Actual Area of Occupancy B = 1
Allowable Area of Occupancy A + Allowable Area of Occupancy B = 1
N/A + N/A = 1

STORY NO.	DESCRIPTION AND USE	(A) BLDG AREA PER STORY (ACTUAL)	(B) TABLE 506.2.4 AREA	(C) AREA FOR FRONTAGE INCREASE 1.5	(D) ALLOWABLE AREA PER STORY OR UNLIMITED 2.3
1	M	33,826	12,500	N/A	50,000

- Frontage area increases from Section 506.3 are computed thus:
 - Perimeter which fronts a public way or open space having 20 feet minimum width = _____ (F)
 - Total Building Perimeter = _____ (P)
 - Ratio (F/P) = _____ (F/P)
 - W = Minimum width of public way = _____ (W)
 - Percent of frontage increase $I_f = 100(F/P - 0.25) \times W/30 = \text{_____} (\%)$
- Unlimited area applicable under conditions of Section 507.
- Maximum Building Area = total number of stories in the building x D (maximum 3 stories) (506.2).
The maximum area of open parking garages must comply with Table 406.5.4.
- Frontage increase is based on the un-sprinklered area value in Table 506.2.

ALLOWABLE HEIGHT

Building Height in Feet (Table 504.3)	ALLOWABLE 75'-0"	SHOWN ON PLANS EXISTING-NO CHANGE	CODE REFERENCE 1 TABLE 503
Building Height in Stories (Table 504.4)	3	1	TABLE 503

- Provide code reference if the "Shown on Plans" quantity is not based on Table 504.3 or 504.4.
- The maximum height of air traffic control towers must comply with Table 412.3.1.
- The maximum height of open parking garages must comply with Table 406.5.4.

FIRE PROTECTION REQUIREMENTS

BUILDING ELEMENT	FIRE DISTANCE (FEET)	REQD	RATING		DETAIL # AND SHEET #	DESIGN # FOR RATED ASSEMBLY	SHEET # FOR RATED PENETRATION	SHEET # FOR RATED JOINTS
			PROVIDED (W/ REDUCTION)	REDUCTION				
Structural Frame, including columns, girders, trusses	≥ 30	0	-	-	-	-	-	-
Bearing Walls	-	-	-	-	-	-	-	-
Exterior	-	-	N/A	-	-	-	-	-
North	-	-	N/A	-	-	-	-	-
East	-	-	N/A	-	-	-	-	-
West	-	-	N/A	-	-	-	-	-
South	-	-	N/A	-	-	-	-	-
Interior	-	-	N/A	-	-	-	-	-
Nonbearing Walls and Partitions	-	-	-	-	-	-	-	-
Exterior walls	-	-	-	-	-	-	-	-
North	≥ 30	-	-	-	-	-	-	-
East	≥ 30	-	-	-	-	-	-	-
West	≥ 30	-	-	-	-	-	-	-
South	≥ 30	-	-	-	-	-	-	-
Interior walls and partitions	-	-	-	-	-	-	-	-
Floor Construction including supporting members and joists	-	-	-	-	-	-	-	-
Floor Ceiling Assembly	-	-	-	-	-	-	-	-
Columns Supporting Floors	-	-	-	-	-	-	-	-
Roof Construction, including supporting beams and joists	-	-	-	-	-	-	-	-
Roof Ceiling Assembly	-	-	-	-	-	-	-	-
Columns Supporting Roof	-	-	N/A	-	-	-	-	-
Shaft Enclosures	-	-	N/A	-	-	-	-	-
Shaft Enclosures - Other	-	-	N/A	-	-	-	-	-
Corridor Separation	-	-	N/A	-	-	-	-	-
Occupancy/Fire Barrier Separation	-	-	N/A	-	-	-	-	-
Party/Fire Wall Separation	-	-	N/A	-	-	-	-	-
Smoke Barrier Separation	-	-	N/A	-	-	-	-	-
Smoke Partition	-	-	N/A	-	-	-	-	-
Tenant Dwelling Unit	-	-	N/A	-	-	-	-	-
Sleeping Unit Separation	-	-	N/A	-	-	-	-	-
Incidental Use Separation	-	-	N/A	-	-	-	-	-

* Indicate section number permitting reduction

PERCENTAGE OF WALL OPENING CALCULATIONS

FIRE SEPARATION DISTANCE (FEET) FROM PROPERTY LINES	DEGREE OF OPENINGS PROTECTION (TABLE 705.8)	ALLOWABLE AREA (%)	ACTUAL AREA ON PLANS (%)

LIFE SAFETY SYSTEM REQUIREMENTS

Emergency Lighting: No Yes
Exit Signs: No Yes
Fire Alarm: No Yes
Smoke Detection Systems: No Yes Partial
Carbon Monoxide Detection: No Yes

LIFE SAFETY PLAN REQUIREMENTS

Life Safety Plan Sheet #: G1.03

Fire and/or smoke rated wall locations (Chapter 7)
 Assumed and real property line locations (if not on the site plan)
 Exterior wall opening area with respect to distance to assumed property lines (705.8)
 Occupancy Use for each area as it relates to occupant load calculation (Table 1004.1.2)
 Occupant loads for each area
 Exit sign locations (1013)
 Exit access travel distances (1017)
 Common path of travel distances (Tables 1006.2.1 & 1006.3.2(1))
 Dead end lengths (1020.4)
 Clear exit widths for each exit door
 Maximum calculated occupant load capacity each exit door can accommodate based on egress width (1005.3)
 Actual occupant load for each exit door
 A separate schematic plan indicating where fire rated floor/ceiling and/or roof structure is provided for purposes of occupancy separation
 Location of doors with panic hardware (1010.1.10)
 Location of doors with delayed egress locks and the amount of delay (1010.1.9.7)
 Location of doors with electromagnetic egress locks (1010.1.9.9)
 Location of doors equipped with hold-open devices
 Location of emergency escape windows (1030)
 The square footage of each fire area (202)
 The square footage of each smoke compartment for Occupancy Classification I-2 (407.5)
 Note any code exceptions or table notes that may have been utilized regarding the items above

ACCESSIBLE DWELLING UNITS (SECTION 1107)

UNIT CLASSIFICATION	TOTAL UNITS	ACCESSIBLE UNITS REQUIRED	ACCESSIBLE UNITS PROVIDED	TYPE A UNITS REQUIRED	TYPE A UNITS PROVIDED	TYPE B UNITS REQUIRED	TYPE B UNITS PROVIDED	TOTAL ACCESSIBLE UNITS PROVIDED
N/A	N/A	N/A	N/A	N/A	N/A	N/A	N/A	N/A

ACCESSIBLE PARKING (SECTION 1106) ACCESSIBLE PARKING - EXISTING NO CHANGE

LOT OR PARKING AREA	TOTAL # OF PARKING SPACES REQUIRED	TOTAL # OF PARKING SPACES PROVIDED	# OF ACCESSIBLE SPACES PROVIDED		TOTAL # ACCESSIBLE SPACES PROVIDED
			96" SPACES	132" SPACES	
EXISTING PARKING	170	206	7	2	9
TOTAL					

PLUMBING FIXTURE REQUIREMENTS (TABLE 2902.1)

USE	WATER CLOSETS			URINALS			LAVATORIES			SHOWERS/TUBS	DRINKING FOUNTAINS	
	MALE	FEMALE	UNISEX	MALE	FEMALE	UNISEX	MALE	FEMALE	UNISEX		REGULAR	ACCESSIBLE
SPACE												
EXISTG	1	2	-	-	-	-	-	-	-	-	-	1
NEW	-	-	-	-	-	-	-	-	-	-	-	-
REQD	1	1	-	-	-	-	1	1	-	-	-	1

SPECIAL APPROVALS

Special approval: (Local Jurisdiction, Department of Insurance, OSC, DPI, DHHS, etc., describe below)

ENERGY REQUIREMENTS:

The following data shall be considered minimum and any special attribute required to meet the energy code shall also be provided. Each Designer shall furnish the required portions of the project information for the plan data sheet. If performance method, state the annual energy cost for the standard reference design vs annual energy cost for the proposed design.

Existing building envelope complies with code: No Yes (The remainder of this section is not applicable)

Exempt Building: No Yes (Provide code or statutory reference): _____

ENERGY SUMMARY

Climate Zone: 3A 4A 5A

Method of Compliance: Energy Code Performance Prescriptive
ASHRAE 90.1 Performance Prescriptive
(If "Other" specify source here)

THERMAL ENVELOPE (Prescriptive method only)

Roof/Ceiling Assembly (each assembly)
Description of assembly: MEMBRANE ROOF, INSULATION ON METAL DECK
U-Value of total assembly: 0.17 PROVIDED, 0.17 REQUIRED
R-Value of insulation: 5.9 PROVIDED, 5.9 REQUIRED
Skylights in each assembly: N/A
U-Value of skylight: N/A
total square footage of skylights in each assembly: N/A

Exterior Walls (each assembly)
Description of assembly: CMU INSULATION, METAL STUDS @ 16" O.C. W/ BRICK VENEER,
U-Value of total assembly: 0.09 PROVIDED, 0.09 REQUIRED
U-Value of total assembly: 0.09 PROVIDED, 0.09 REQUIRED
R-Value of insulation: 11.1 PROVIDED, 11.1 REQUIRED
Openings (windows, doors with hazard 0)
U-Value of assembly: 0.17
Solar heat gain coefficient: 0.60
projection factor: 0.0
Door R-Value: 0.17
% SF: R VALUE = 3.5

Walls below grade (each assembly)
Description of assembly: N/A
U-Value of total assembly: N/A
R-Value of insulation: N/A

Floors over unconditioned space (each assembly)
Description of assembly: N/A
U-Value of total assembly: N/A
R-Value of insulation: N/A

Floors slab on grade
Description of assembly: FOUNDATION WALL
U-Value of total assembly: 0.09
R-Value of insulation: R-11
Horizontal/vertical requirement: NO
slab heated: NO

2018 APPENDIX B BUILDING CODE SUMMARY FOR ALL COMMERCIAL PROJECTS STRUCTURAL DESIGN (PROVIDE ON THE STRUCTURAL SHEETS IF APPLICABLE)

DESIGN LOADS:

Importance Factors: Snow (IS) 1.0
Seismic (IE) 1.0

Live Loads: Roof 20 psf
Mezzanine N/A psf
Floor 100 psf

Ground Snow Load: 10 PSF psf

Wind Load: Ultimate Wind Speed 117 mph (ASCE-7)
Exposure Category C

SEISMIC DESIGN CATEGORY: A B C D
Provide the following Seismic Design Parameters:
Risk Category (Table 1604.5) I II III IV
Spectral Response Acceleration SS 20 %g S1 9 %g

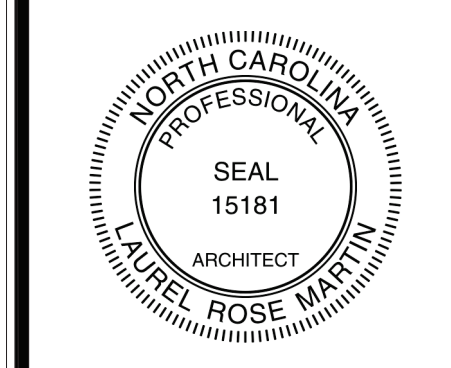
Site Classification (ASCE 7) A B C D E F
Data Source: Field Test Presumptive Historical Data

Basic structural system Bearing Wall Dual w/Special Moment Frame
 Building Frame Dual w/Intermediate R/C or Special Steel
 Moment Frame Inverted Pendulum

Analysis Procedure: Simplified Equivalent Lateral Force Dynamic
Architectural, Mechanical, Components anchored? Yes No

LATERAL DESIGN CONTROL: Earthquake Wind

SOIL BEARING CAPACITIES:
Field Test (provide copy of test report) N/A psf
Presumptive Bearing capacity 1500 psf
Pile size, type, and capacity _____



NO	DATE	REMARKS

FOOD LION
2110 Executive Drive, Salisbury, NC 28147
Telephone: 704.633.8250
Food Lion is an ANOLD DELHAIZE company.

**FOOD LION
REMODEL
STORE #1237**
133 MITTIE HADDOCK DRIVE
CAMERON, NC, 28326

PROJECT NO: 2023.0026
DATE: 09/06/23

3 OF 43
G1.03
LIFE SAFETY PLAN

CHECKED: EC DRAWN: AM

OCCUPANT TYPE	GROSS AREA	SF/PERSON	ALLOWABLE LOAD
PREP	2,164 SF	200	10 OCCUPANTS
STORAGE	5,184 SF	300	17 OCCUPANTS
SALES AREA	22,076 SF	60	367 OCCUPANTS
ACCESSORY (OFFICE USE)	492 SF	100	4 OCCUPANTS
TOTAL			398 OCCUPANTS

LEGEND

- STORAGE (AREA) (OCC. LOAD)
- PREP (AREA) (OCC. LOAD)
- ACCESSORY (OFFICES, A-3 UNCONCENTRATED) (OCC. LOAD)
- SALES AREAS (AREA) (OCC. LOAD)
- EGRESS ROUTE
- MOST REMOTE POINT
- EXIT SIGN
- EMERGENCY LIGHTS
- EXIT
- 48" DOOR CLEAR WIDTH
- [240] DOOR ALLOWABLE OCCUPANT LOAD

EGRESS PER 2018 NCSBC

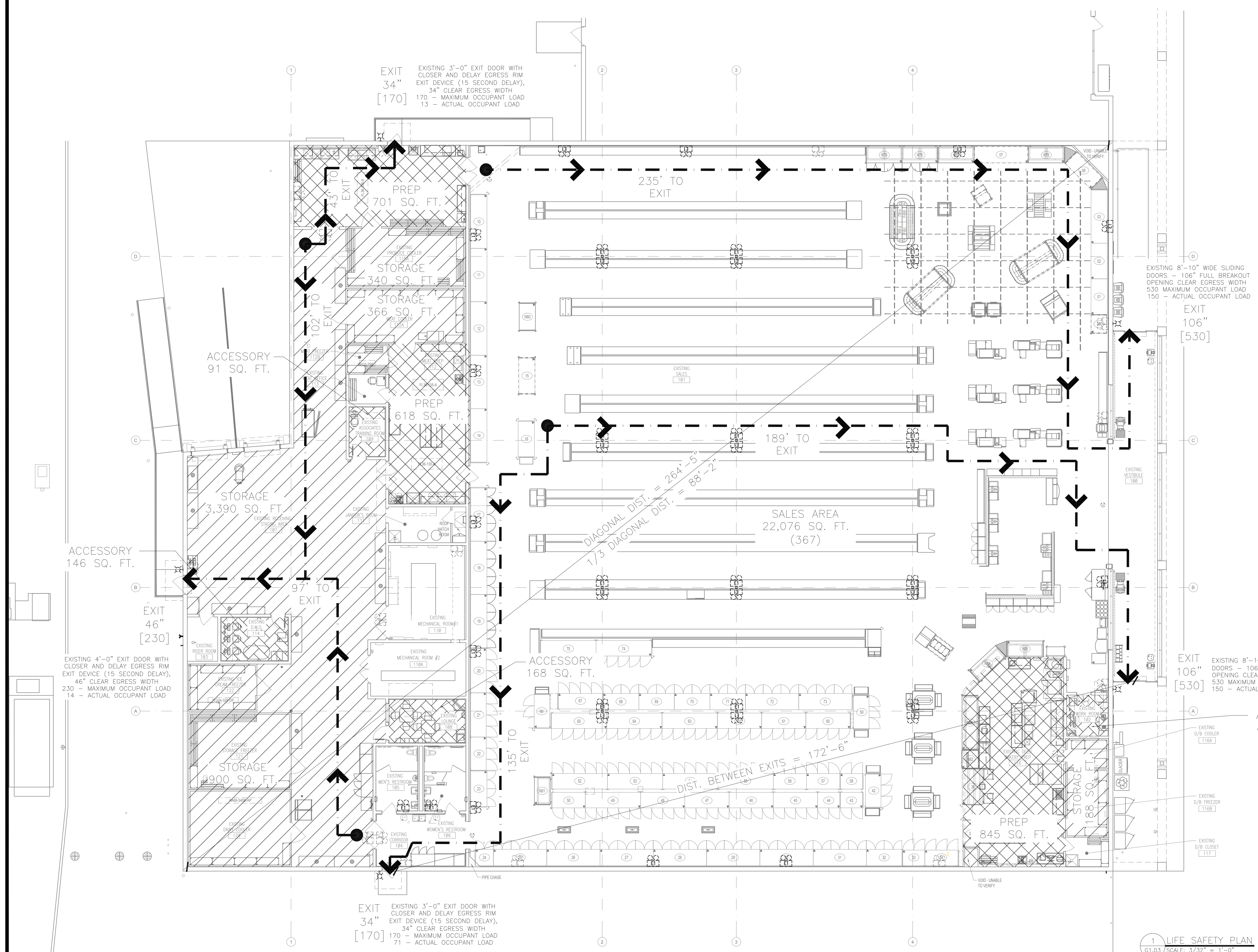
CLEAR WIDTH PROVIDED	REQUIRED	MAX
106"	.2" x OCCUPANT	
106"		
34"		
34"		
46"		
TOTAL	326"	398 OCCUPANTS
		79.6"

EXITS PROVIDED 5 | **REQUIRED** 5

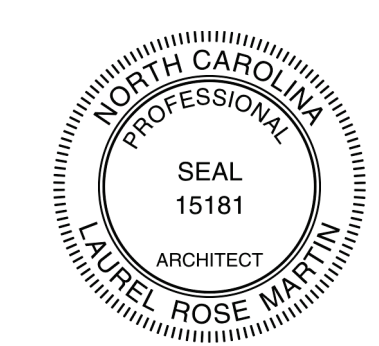
TRAVEL DISTANCE
MAX 250' | **ACTUAL** 235'

EXIT SEPARATION
PROVIDED MIN 172'-6" | **REQUIRED MIN. DIAGONAL** 264'-5"/3 = 88'-2"

- LIFE SAFETY GENERAL NOTES:**
- MERCANTILE ALTERATION DESIGNED UNDER 2018 NBBC.
 - THIS BUILDING IS TYPE II-B CONSTRUCTION, MERCANTILE OCCUPANCY, SPRINKLERED.
 - MAXIMUM ALLOWABLE EXIT ACCESS DISTANCE = 250' (MERCANTILE)
 - MAXIMUM ALLOWABLE COMMON PATH OF TRAVEL DISTANCE = 75'
 - MAXIMUM ALLOWABLE DEAD END TRAVEL DISTANCE IN CORRIDORS = 50'
 - CLEAR OPENING WIDTH FOR A SINGLE 36" WIDE DOOR SHOULD BE CONSIDERED 34" TO COMPENSATE FOR STOP, DOOR THICKNESS AND HINGE THROW.
 - SEE SHEET A1.03 GENERAL NOTE #10 FOR FIRE EXTINGUISHER REQUIREMENTS.
 - FIRE EXTINGUISHER SIGNS FOR CURVED SURFACES (INCLUDING ROUND AND SQUARE COLLUMS) - PROVIDE 18" X 4" W GLOW-IN-THE-DARK ADHESIVE SIGN EQUAL TO GRADY SY1840 (GRAINGER ITEM #32MD69).
 - FIRE EXTINGUISHER SIGNS FOR FLAT WALL SURFACES - PROVIDE 18" X 4" W GLOW-IN-THE-DARK PLASTIC SIGN EQUAL TO ACCUFORM SIGNS MF0551GP (GRAINGER ITEM #8FZWD).
 - ALL EXITS ARE TO EXISTING TO REMAIN UNCHANGED UNLESS NOTED OTHERWISE.



1 LIFE SAFETY PLAN
G1.03 / SCALE: 3/32" = 1'-0"
NORTH

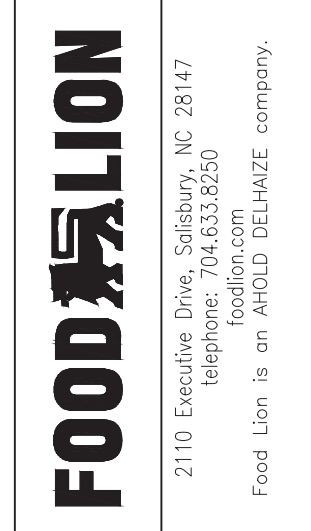


REVISIONS	NO	DATE	REMARKS

PROPERTY DATA:
 LANDLORD: HMS KIDS INC
 NAME: SPOUT SPRINGS PLAZA
 ADDRESS: 3035 NC HIGHWAY 87 S.
 CAMERON, NC 28326
 PID: 039568 0094 06

NOTE:
 THE GENERAL CONTRACTOR SHALL PHOTOGRAPH OR VIDEOTAPE EXISTING CONDITIONS IN AND AROUND THE STORE PRIOR TO BEGINNING CONSTRUCTION. PARTICULAR ATTENTION SHOULD BE DIRECTED TO THE ROOF AND ALL ASPHALT DRIVES AND PARKING AREAS.

NOTE:
 THE GENERAL CONTRACTOR SHALL REVIEW THE HAZARDOUS MATERIAL REPORT AND COORDINATE ALL HAZARDOUS MATERIAL REMOVAL WITH THE FOOD LION CONSTRUCTION SUPERVISOR.

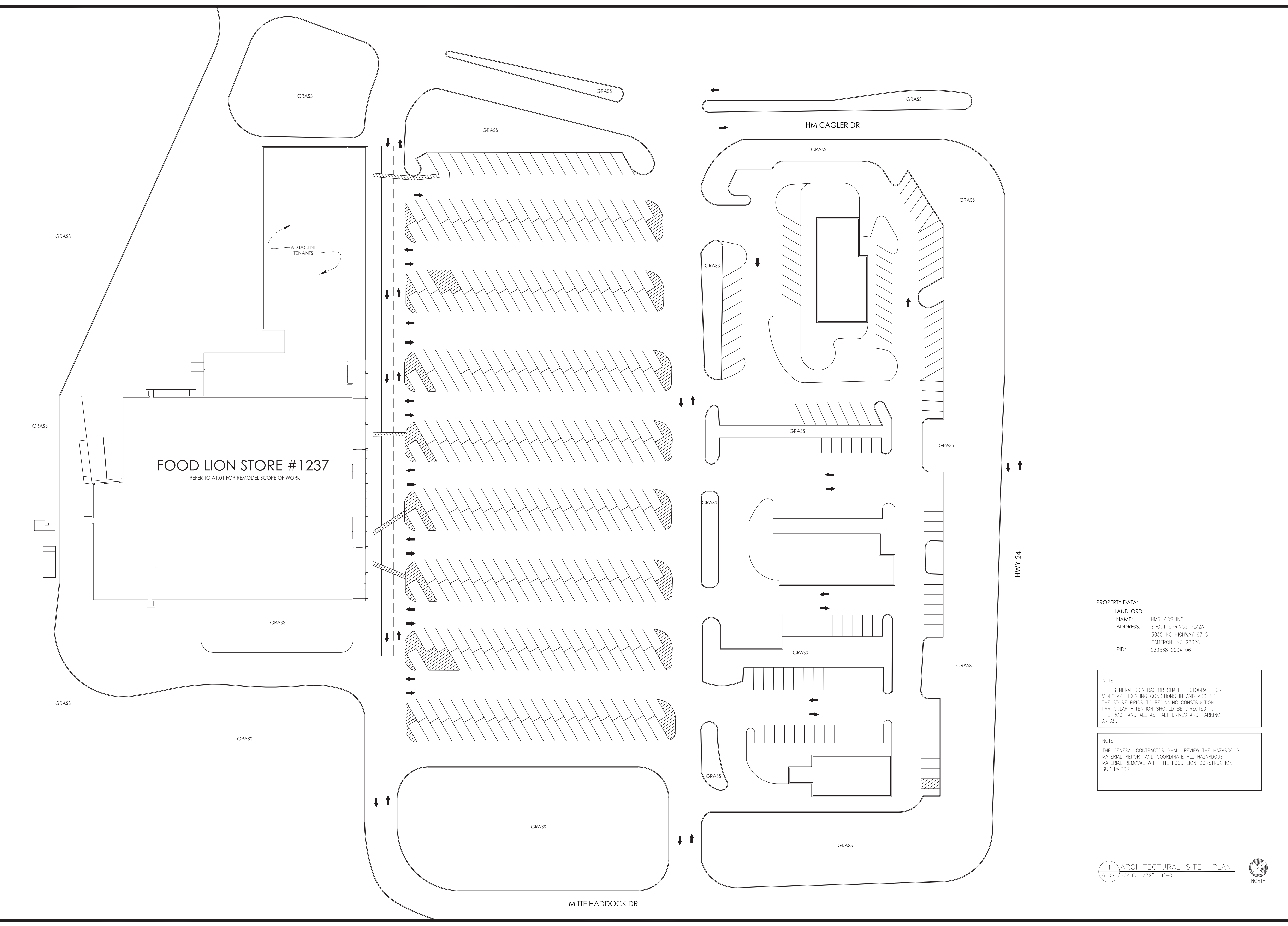


**FOOD LION
REMODEL
STORE #1237**
 133 MITTIE HADDOCK DRIVE
 CAMERON, NC, 28326

PROJECT NO: 2023.0026
 DATE: 09/06/23

4 OF 43
G1.04
 ARCHITECTURAL SITE PLAN

CHECKED: EC DRAWN: AM



1 ARCHITECTURAL SITE PLAN
 G1.04 SCALE: 1/32" = 1'-0"



COPYRIGHT © 2023 INTERPLAN PLLC. ALL RIGHTS RESERVED. RESTRICTING THESE DOCUMENTS TO THE ORIGINAL SITE OR PURPOSE FOR WHICH THEY WERE PREPARED. REPRODUCTIONS, CHANGES OR ASSIGNMENTS ARE PROHIBITED.

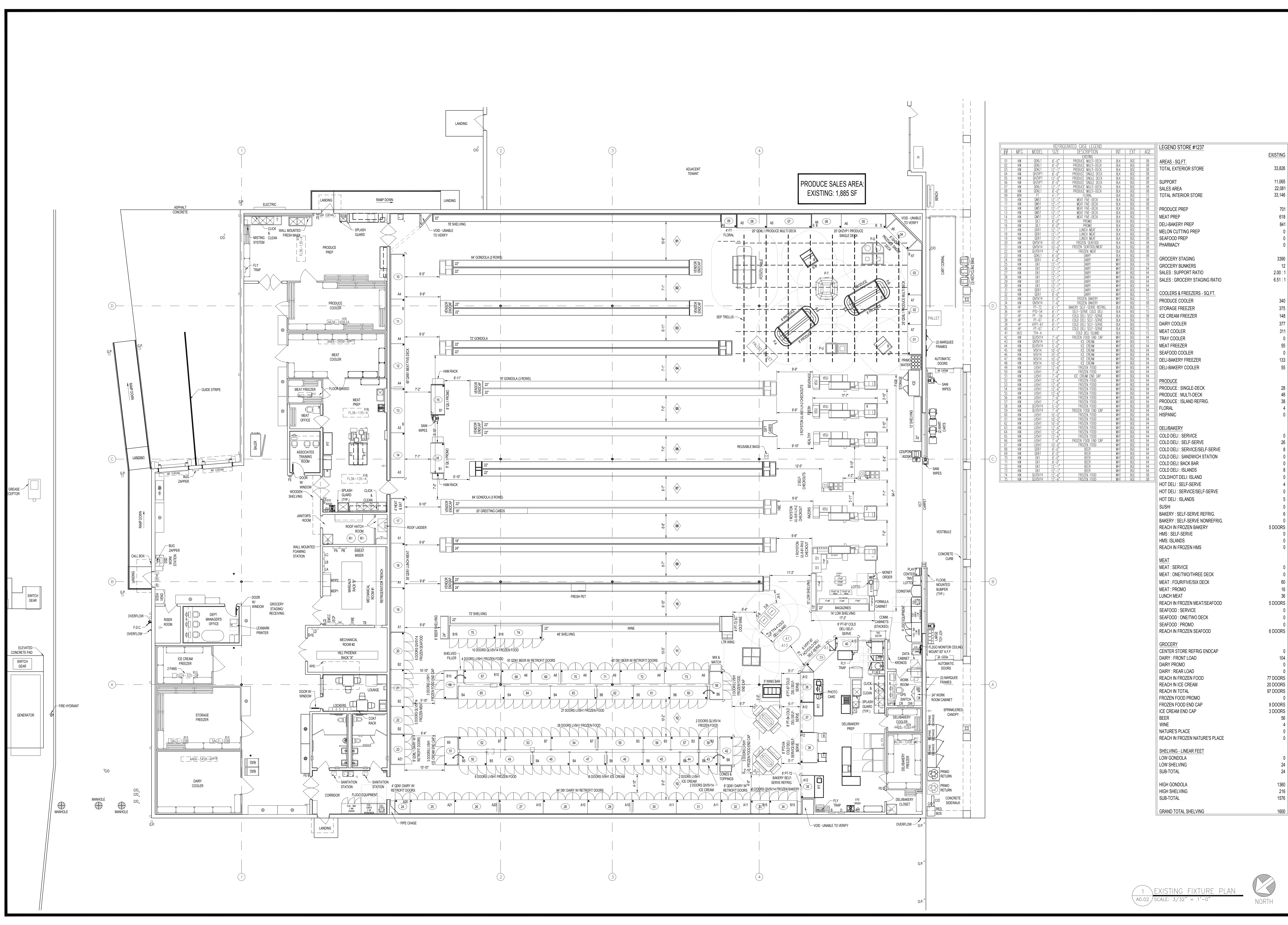


FOOD LION
REMODEL
STORE #1237
133 MITTIE HADDOCK DRIVE
CAMERON, NC, 28326

PROJECT NO: 2023.0026
DATE: 09/06/23

5 OF 43
A0.02
EXISTING FIXTURE PLAN

CHECKED: EC DRAWN: AM



##	MFG	MODEL	SIZE	DESCRIPTION	INT	EXT	AGE
01	KR	Q80L	2'-0"	PRODUCE MULTI-DECK	BAK	080	08
02	KR	Q80L	2'-0"	PRODUCE MULTI-DECK	BAK	080	08
03	KR	Q80L	2'-0"	PRODUCE MULTI-DECK	BAK	080	08
04	KR	Q80P	2'-0"	PRODUCE SINGLE DECK	BAK	080	08
05	KR	Q80P	2'-0"	PRODUCE SINGLE DECK	BAK	080	08
06	KR	Q80P	2'-0"	PRODUCE SINGLE DECK	BAK	080	08
07	KR	Q80L	2'-0"	PRODUCE MULTI-DECK	BAK	080	08
08	KR	Q80L	2'-0"	PRODUCE MULTI-DECK	BAK	080	08
09	BRK	21	4'-0"	TUNING	BAK	080	15
10	KR	Q80T	2'-0"	MEAT FINE-DECK	BAK	080	08
11	KR	Q80T	2'-0"	MEAT FINE-DECK	BAK	080	08
12	KR	Q80T	2'-0"	MEAT FINE-DECK	BAK	080	08
13	KR	Q80T	2'-0"	MEAT FINE-DECK	BAK	080	08
14	KR	Q80T	2'-0"	MEAT FINE-DECK	BAK	080	08
15	KR	Q80L	2'-0"	PRODUCE	BAK	080	15
16	KR	Q80L	2'-0"	PRODUCE	BAK	080	15
17	KR	Q80T	2'-0"	LUNCH MEAT	BAK	080	08
18	KR	Q80T	2'-0"	LUNCH MEAT	BAK	080	08
19	KR	Q80L	2'-0"	LUNCH MEAT	BAK	080	08
20	KR	Q80P4	10'-0"	FROZEN SEAFOOD	BAK	080	08
21	KR	Q80P4	10'-0"	FROZEN SEAFOOD	BAK	080	08
22	KR	Q80P4	10'-0"	FROZEN SEAFOOD	BAK	080	08
23	KR	Q80L	2'-0"	BAKERY	WHI	080	08
24	KR	Q80L	2'-0"	BAKERY	WHI	080	15
25	KR	Q80L	2'-0"	BAKERY	WHI	080	15
26	KR	Q80L	2'-0"	BAKERY	WHI	080	15
27	KR	Q80L	2'-0"	BAKERY	WHI	080	15
28	KR	Q80L	2'-0"	BAKERY	WHI	080	15
29	KR	Q80L	2'-0"	BAKERY	WHI	080	15
30	KR	Q80L	2'-0"	BAKERY	WHI	080	15
31	KR	Q80L	2'-0"	BAKERY	WHI	080	15
32	KR	Q80P4	10'-0"	FROZEN SEAFOOD	WHI	080	15
33	KR	Q80P4	10'-0"	FROZEN SEAFOOD	WHI	080	15
34	KR	Q80P4	10'-0"	FROZEN SEAFOOD	WHI	080	15
35	KR	Q80P4	10'-0"	FROZEN SEAFOOD	WHI	080	15
36	KR	Q80P4	10'-0"	FROZEN SEAFOOD	WHI	080	15
37	KR	Q80P4	10'-0"	FROZEN SEAFOOD	WHI	080	15
38	KR	Q80P4	10'-0"	FROZEN SEAFOOD	WHI	080	15
39	KR	Q80P4	10'-0"	FROZEN SEAFOOD	WHI	080	15
40	KR	Q80P4	10'-0"	FROZEN SEAFOOD	WHI	080	15
41	HSD	74-4	4'-0"	COLD DELI ISLAND	BAK	080	15
42	KR	Q80P4	10'-0"	FROZEN SEAFOOD	WHI	080	15
43	KR	Q80P4	10'-0"	FROZEN SEAFOOD	WHI	080	15
44	KR	Q80P4	10'-0"	FROZEN SEAFOOD	WHI	080	15
45	KR	Q80P4	10'-0"	FROZEN SEAFOOD	WHI	080	15
46	KR	Q80P4	10'-0"	FROZEN SEAFOOD	WHI	080	15
47	KR	Q80P4	10'-0"	FROZEN SEAFOOD	WHI	080	15
48	KR	Q80P4	10'-0"	FROZEN SEAFOOD	WHI	080	15
49	KR	Q80P4	10'-0"	FROZEN SEAFOOD	WHI	080	15
50	KR	Q80P4	10'-0"	FROZEN SEAFOOD	WHI	080	15
51	KR	Q80P4	10'-0"	FROZEN SEAFOOD	WHI	080	15
52	KR	Q80P4	10'-0"	FROZEN SEAFOOD	WHI	080	15
53	KR	Q80P4	10'-0"	FROZEN SEAFOOD	WHI	080	15
54	KR	Q80P4	10'-0"	FROZEN SEAFOOD	WHI	080	15
55	KR	Q80P4	10'-0"	FROZEN SEAFOOD	WHI	080	15
56	KR	Q80P4	10'-0"	FROZEN SEAFOOD	WHI	080	15
57	KR	Q80P4	10'-0"	FROZEN SEAFOOD	WHI	080	15
58	KR	Q80P4	10'-0"	FROZEN SEAFOOD	WHI	080	15
59	KR	Q80P4	10'-0"	FROZEN SEAFOOD	WHI	080	15
60	KR	Q80P4	10'-0"	FROZEN SEAFOOD	WHI	080	15
61	KR	Q80P4	10'-0"	FROZEN SEAFOOD	WHI	080	15
62	KR	Q80P4	10'-0"	FROZEN SEAFOOD	WHI	080	15
63	KR	Q80P4	10'-0"	FROZEN SEAFOOD	WHI	080	15
64	KR	Q80P4	10'-0"	FROZEN SEAFOOD	WHI	080	15
65	KR	Q80P4	10'-0"	FROZEN SEAFOOD	WHI	080	15
66	KR	Q80P4	10'-0"	FROZEN SEAFOOD	WHI	080	15
67	KR	Q80P4	10'-0"	FROZEN SEAFOOD	WHI	080	15
68	KR	Q80P4	10'-0"	FROZEN SEAFOOD	WHI	080	15
69	KR	Q80P4	10'-0"	FROZEN SEAFOOD	WHI	080	15
70	KR	Q80P4	10'-0"	FROZEN SEAFOOD	WHI	080	15
71	KR	Q80P4	10'-0"	FROZEN SEAFOOD	WHI	080	15
72	KR	Q80P4	10'-0"	FROZEN SEAFOOD	WHI	080	15
73	KR	Q80P4	10'-0"	FROZEN SEAFOOD	WHI	080	15
74	KR	Q80P4	10'-0"	FROZEN SEAFOOD	WHI	080	15
75	KR	Q80P4	10'-0"	FROZEN SEAFOOD	WHI	080	15

LEGEND STORE #1237	EXISTING
AREAS - SQ.FT.	
TOTAL EXTERIOR STORE	33,826
SUPPORT SALES AREA	11,065
TOTAL INTERIOR STORE	22,811
PRODUCE PREP	701
MEAT PREP	618
DELI-BAKERY PREP	841
MELON CUTTING PREP	0
SEAFOOD PREP	0
PHARMACY	0
GROCERY STAGING	3390
GROCERY BUNKERS	12
SALES - SUPPORT RATIO	2,001.1
SALES - GROCERY STAGING RATIO	6,511.1
COOLERS & FREEZERS - SQ.FT.	
PRODUCE COOLER	340
STORAGE FREEZER	375
ICE CREAM FREEZER	148
DAIRY COOLER	377
MEAT COOLER	311
TRAY COOLER	0
MEAT FREEZER	55
SEAFOOD COOLER	0
DELI-BAKERY FREEZER	133
DELI-BAKERY COOLER	55
PRODUCE	
PRODUCE - SINGLE-DECK	28
PRODUCE - MULTI-DECK	48
PRODUCE - ISLAND REFRIG.	38
FLORAL	4
HISPANIC	0
DELI-BAKERY	
COLD DELI - SERVICE	0
COLD DELI - SELF-SERVE	26
COLD DELI - SERVICE/SELF-SERVE	8
COLD DELI - SANDWICH STATION	0
COLD DELI - BACK BAR	0
COLD DELI - ISLANDS	6
COLDHOT DELI - ISLAND	4
HOT DELI - SELF-SERVE	4
HOT DELI - SERVICE/SELF-SERVE	0
HOT DELI - ISLANDS	5
SUSHI	0
BAKERY - SELF-SERVE REFRIG.	6
BAKERY - SELF-SERVE NONREFRIG.	0
REACH IN FROZEN BAKERY	5 DOORS
HMS - SELF-SERVE	0
HMS - ISLANDS	0
REACH IN FROZEN HMS	0
MEAT	
MEAT - SERVICE	0
MEAT - ONE/TWO/THREE DECK	0
MEAT - FOUR/FIVE/SIX DECK	60
MEAT - PROMO	16
LUNCH MEAT	56
REACH IN FROZEN MEAT/SEAFOOD	5 DOORS
SEAFOOD - SERVICE	0
SEAFOOD - ONE/TWO DECK	0
SEAFOOD - PROMO	0
REACH IN FROZEN SEAFOOD	6 DOORS
GROCERY	
CENTER STORE REFRIG ENDCAP	0
DAIRY - FRONT LOAD	104
DAIRY - PROMO	0
DAIRY - REAR LOAD	0
REACH IN FROZEN FOOD	77 DOORS
REACH IN ICE CREAM	20 DOORS
REACH IN TOTAL	97 DOORS
FROZEN FOOD PROMO	0
FROZEN FOOD END CAP	9 DOORS
ICE CREAM END CAP	3 DOORS
BEER	56
WINE	4
NATURE'S PLACE	4
REACH IN FROZEN NATURE'S PLACE	0
SHELVING - LINEAR FEET	
LOW GONDOLA	0
LOW SHELVING	24
SUB-TOTAL	24
HIGH GONDOLA	1360
HIGH SHELVING	216
SUB-TOTAL	1576
GRAND TOTAL SHELVING	1600

1 EXISTING FIXTURE PLAN
A0.02 SCALE: 3/32" = 1'-0"





FOOD LION
REMODEL
STORE #1237
133 MITTIE HADDOCK DRIVE
CAMERON, NC, 28326

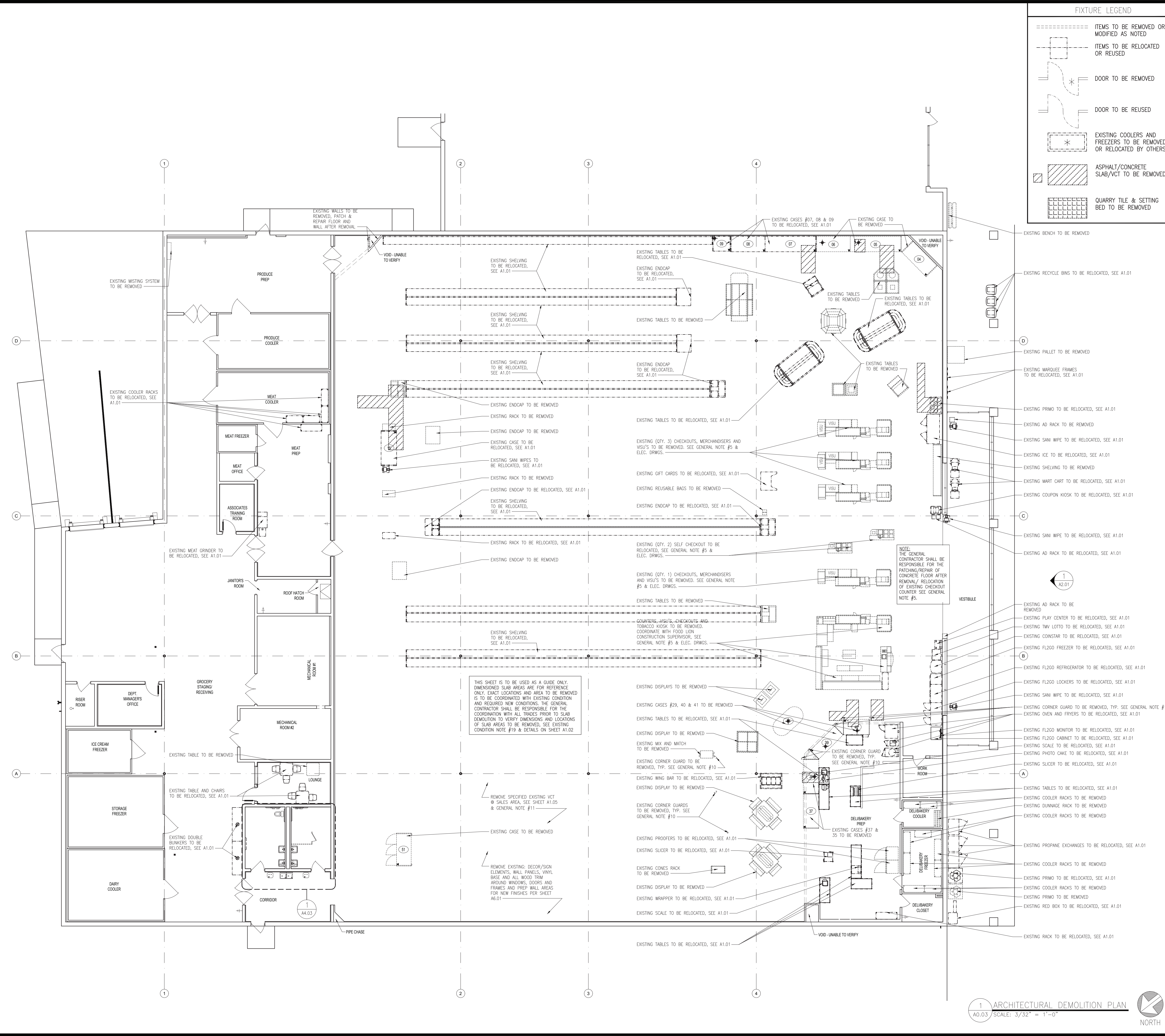
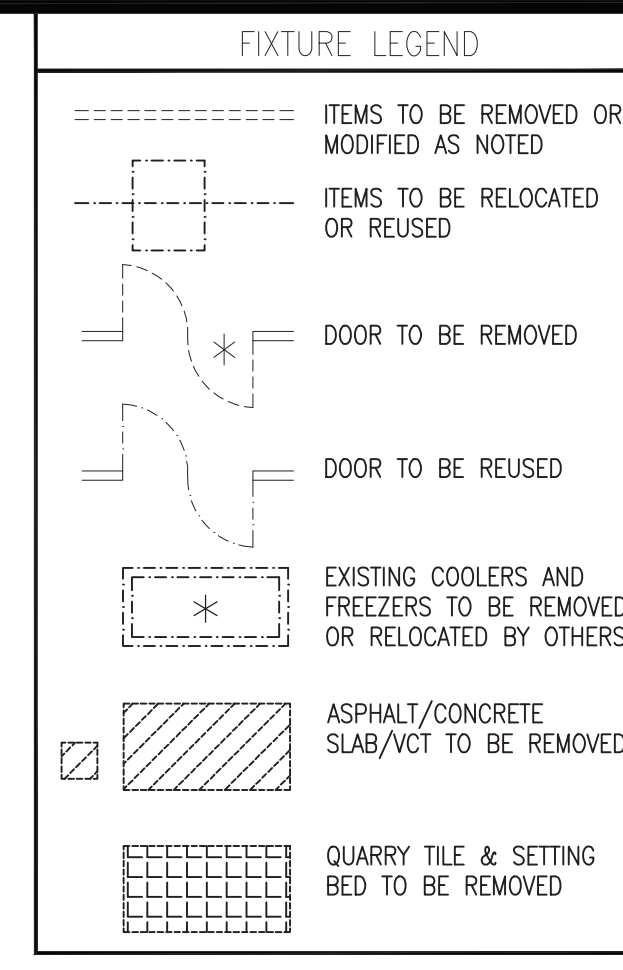
PROJECT NO: 2023.0026
DATE: 09/06/23

6 OF 43
A0.03
ARCHITECTURAL
DEMOLITION PLAN
CHECKED: EC DRAWN: AM

- GENERAL NOTES:**
- ALL CONTRACTORS MUST COMPLY WITH ALL STATE AND LOCAL CODES.
 - THE GENERAL CONTRACTOR SHALL COORDINATE THE REMOVAL AND RELOCATION OF COOLER AND FREEZER COMPONENTS WITH COOLER/FREEZER MANUFACTURER FIELD PERSONNEL, AND W/FOOD LION CONSTRUCTION MANAGER.
 - FOR NEW DEPRESSED SLAB LOCATIONS AND DIMENSIONS, IF APPLICABLE, SEE SHEET A1.02.
 - CONTRACTOR SHALL VERIFY LOCATION OF ALL UTILITIES AND RELOCATE UTILITIES AS NEEDED. ALL RELOCATION OF UTILITIES SHALL BE COORDINATED WITH THE FOOD LION CONSTRUCTION MANAGER AND/OR LOCAL UTILITIES.
 - GENERAL CONTRACTOR SHALL PATCH AND REPAIR FLOOR, CEILING, ADJOINING WALLS AND OPENINGS WHERE WALLS, DOORS & FRAMES AND EQUIPMENT HAVE BEEN REMOVED. WORK WILL BE DONE IN A PROFESSIONAL MANNER WITH MATCHING MATERIALS.
 - GENERAL CONTRACTOR SHALL BE RESPONSIBLE FOR REPAIRING ALL ROOF OPENINGS/PENETRATIONS CAUSED BY STRUCTURAL, PLUMBING, ELECTRICAL, MECHANICAL AND REFRIGERATION MATERIALS OR EQUIPMENT. COORDINATE REPAIRS WITH LANDLORD ROOFING CONTRACTOR (NOT TO VOID CURRENT WARRANTY).
 - GENERAL CONTRACTOR SHALL BE RESPONSIBLE FOR REMOVING AND CAPPING ALL ELECTRICAL STUB-UPS, DRAINS AND PITS THAT CANNOT BE REUSED, PATCH AND REPAIR FLOOR AS NEEDED.
 - GENERAL CONTRACTOR SHALL COORDINATE ALL DEMOLITION, EXPANSION, RENOVATION AND REMOVAL OF MATERIALS, ETC. OF THE FRONT BUILDING ELEVATION WITH SHEET A2.01 AND FOOD LION CONSTRUCTION MANAGER.
 - CONTRACTOR TO REMOVE ALL EXISTING DECOR UNLESS NOTED TO REMAIN AND REPAIR DRYWALL AS NEEDED. COORDINATE WITH SHEETS A2.02 AND A6.01. COORDINATE WITH DECOR PLANS.
 - GENERAL CONTRACTOR SHALL REMOVE ALL CORNER GUARDS AT REFRIGERATED CASES AS NOTED ON PLAN AND REPAIR FLOOR AS DIRECTED BY FOOD LION CONSTRUCTION MANAGER.
 - GENERAL CONTRACTOR TO REMOVE VINYL TILE/CARPET FROM NEWLY SPECIFIED FLOORS AND GRIND CONCRETE FLAT, SMOOTH AND FREE OF MASTIC. REFER TO SHEET A1.05 AND CURRENT ASBESTOS SURVEY.
 - THE ELECTRICAL CONTRACTOR SHALL REMOVE THE EXISTING PARCEL PICK-UP BELL AND ITS RELATED EQUIPMENT AS REQUIRED. PATCH AND REPAIR ALL FINISHES. (IF APPLICABLE)
 - GENERAL CONTRACTOR SHALL COORDINATE THE REMOVAL OF EXTERIOR WINDOWS, WALLS, & DOORS WITH THE FOOD LION CONSTRUCTION MANAGER IN ORDER TO MAINTAIN STORE SECURITY & SAFE BUILDING.
 - THE GENERAL CONTRACTOR SHALL COORDINATE THE REMOVAL OF ALL H.V.A.C. EQUIPMENT AND ANY APPLICABLE CEILING TILE/GRID WITH THE MECHANICAL CONTRACTOR.
 - PLUMBING CONTRACTOR AND GENERAL CONTRACTOR SHALL COORDINATE THE REMOVAL OF PLUMBING FIXTURES WITH THE FOOD LION CONSTRUCTION MANAGER. PLUMBING DEMOLITION WILL NOT BE ALLOWED UNTIL THIS COORDINATION MEETING IS CONDUCTED.
 - THE GENERAL CONTRACTOR SHALL REMOVE ANY EXISTING WOOD BASEBOARD THAT IS ATTACHED TO MASONRY WALLS. PATCH ALL WALLS WHERE NEEDED AND CAULK THE JOINT WHERE WALL ADJOINS FLOOR.
 - THE EXISTING CONDITIONS ON THIS SHEET ARE INTENDED TO CONVEY THE APPROXIMATE CONDITION OF THE BUILDING. ALL DATA SHALL BE VERIFIED BY THE GENERAL CONTRACTOR PRIOR TO SUBMISSION OF BIDS AND/OR THE COMMENCEMENT OF WORK. ANY CONDITIONS WHICH DIFFER SUBSTANTIALLY FROM THAT INDICATED ON THE EXISTING FIXTURE PLAN OR IN THE CONSTRUCTION DOCUMENTS, SHALL BE IMMEDIATELY BROUGHT TO THE ATTENTION OF THE FOOD LION CONSTRUCTION MANAGER/ ENGINEERING DEPARTMENT.
 - THE DEMOLITION PLAN IDENTIFIES GENERAL AREA/ITEMS TO BE DEMOLISHED ONLY AND IS NOT INTENDED TO ILLUSTRATE EACH AND EVERY ITEM REQUIRING DEMOLITION. THE GENERAL CONTRACTOR SHALL FAMILIARIZE HIMSELF/HERSELF WITH ALL EXISTING CONDITIONS IN ORDER TO ASCERTAIN THE FULL EXTENT OF DEMOLITION TO BE PERFORMED. CLOSE COORDINATION WITH THE FOOD LION CONSTRUCTION MANAGER IS CRITICAL DURING ALL PHASES OF DEMOLITION AND CONSTRUCTION.
 - THE GENERAL CONTRACTOR SHALL MAINTAIN ALL UTILITIES AND SERVICES TO EXISTING TENANT SPACES (VACANT OR OCCUPIED) DURING DEMOLITION AND CONSTRUCTION. UTILITIES AND SERVICES SHALL INCLUDE, BUT NOT BE LIMITED TO: ELECTRICAL, PLUMBING, GAS, WATER, FIRE SPRINKLER, FIRE ALARM SYSTEMS, ETC. ANY SCHEDULED INTERRUPTION OF SERVICES REQUIRED DURING DEMOLITION OR CONSTRUCTION SHALL BE COORDINATED WITH THE FOOD LION CONSTRUCTION MANAGER AND TENANTS AT LEAST SEVEN (7) DAYS PRIOR TO THE INTERRUPTION.
 - THE GENERAL CONTRACTOR MUST COORDINATE WITH THE CONSTRUCTION MANAGER AND THE STORE MANAGER ON THE NIGHT OF FRONT END CHANGE OUT TO INSURE THERE IS ADEQUATE ROOM TO UNLOAD THE FRONT END EQUIPMENT IN THE STORE. IF SPACE IS LIMITED, THE GENERAL CONTRACTOR WILL BE REQUIRED TO PROVIDE A STORAGE TRAILER ON SITE. THE GENERAL CONTRACTOR MUST PROVIDE A FORKLIFT FOR THE FRONT END EQUIPMENT REMOVAL.
 - THE GENERAL CONTRACTOR WILL BE RESPONSIBLE FOR "ALL" DUMPSTERS DUMPS INCLUDING THOSE FOR THE REFRIGERATION CONTRACTOR AND GROCERY RESET. THE REFRIGERATION CONTRACTOR WILL BE RESPONSIBLE FOR BREAKING EVERYTHING DOWN BEFORE PUTTING IN THE DUMPSTER. THE GENERAL CONTRACTOR IS RESPONSIBLE FOR THE DISPOSAL OF REMOVED CONDOLAS AND SHELVING. ONCE THE GROCERY SET TEAM PALLETIZE THE SHELVING AND LOADED TO THE DOCK. ALL STORES RESET MAY BE COMPLETED PRIOR TO START OF CONSTRUCTION. IF THIS OCCURS, FOOD LION CORPORATE PROVIDES DUMPSTERS.
 - THE GENERAL CONTRACTOR MUST HAVE PROFESSIONAL SIGNAGE AND NEATLY INSTALLED ORANGE FENCING FOR ANY DETOURS REQUIRED DURING THE COURSE OF THE REMODEL. USE PLYWOOD DUST SCREENS WITH TYVEK (LETTERING TURNED INWARD) AROUND PREP AREAS... ETC. DUST SCREENS SHOULD BE BUILT WHEN ANY JACK HAMMERING, SAWING, DEMOLITIONS, ETC. IS TAKING PLACE INSIDE THE STORE. ALL JACK-HAMMERING SHALL BE DONE AFTER OPERATING HOURS. DUST SCREENS NEED TO BE STRUCTURAL AND INSULATED WHERE APPROPRIATE. TURN OFF HVAC WHEN HEAVY DEMOLITION OR EXCESSIVE DUST IS BEING CREATED. FOOD LION GROCERY CARTS OR WET SIGNS ARE NOT ALLOWED TO BE USED AS FENCING SUPPORTS.
 - ELECTRICAL CONTRACTOR SHALL NOT UNPLUG ATM FOR ANY REASON. NO ONE IS ALLOWED TO USE THE ELECTRICAL OUTLET OR PHONE LINE JACK FOR ANY REASON. IT IS ILLEGAL TO ATTACH ANY DEVICE TO THE ATM LINE FOR ANY REASON. THE ONLY PEOPLE ALLOWED TO UNPLUG THE ATM ARE NATIONWIDE SERVICE AND THE COMPANY THAT REPLENISHES CASH IN THE ATM. COORDINATE ANY AND ALL WORK ASSOCIATED WITH THE ATM WITH FOOD LION CONSTRUCTION MANAGER AND NATIONWIDE SERVICE AND/OR THE COMPANY THAT REPLENISHES CASH.

- SLAB WORK**
- FLOOR CUTTING IS APPROXIMATE. WORK TO BE COORDINATED WITH THE FOOD LION CONSTRUCTION MANAGER AND APPROPRIATE TRADE. FLOOR SLAB CUTS SHALL BE LAID OUT TO MINIMIZE SMALL, SHARP CORNER EDGES OF FLOOR SLAB TO REMAIN AND RISK CRACKING. SQUARE OFF CUTS WHERE POSSIBLE. COORDINATE WITH THE APPROPRIATE TRADES.
 - COORDINATE ALL FLOOR CUTS WITH A1.02, P1.01 & P1.02.

- TRENCH WORK**
- ALL DIRT SHALL BE REMOVED FROM THE STORE AND IT SHOULD NEVER HIT THE FLOOR. TRENCHES SHALL BE BACKFILLED WITH AGGREGATE NO LARGER THAN #57, DOWELS IN CONCRETE AND PROPER VAPOR BARRIER. OPEN TRENCHES ARE TO BE COVERED WITH 1/4" MIN. METAL PLATE AND MATCHING CARPET MATS AND DUCT TAPED TO THE FLOOR DURING OPERATING HOURS. ALL PITS SHOULD BE PHOTOGRAPHED WITH CURRENT DATE TO SHOW INTERIOR BEFORE AND AFTER VAPOR BARRIER INSTALL AND TRENCH COMPLETION AND SEND TO CONSTRUCTION MANAGER.



THIS SHEET IS TO BE USED AS A GUIDE ONLY. DIMENSIONED SLAB AREAS ARE FOR REFERENCE ONLY. EXACT LOCATIONS AND AREA TO BE REMOVED IS TO BE COORDINATED WITH EXISTING CONDITION AND REQUIRED NEW CONDITIONS. THE GENERAL CONTRACTOR SHALL BE RESPONSIBLE FOR THE COORDINATION WITH ALL TRADES PRIOR TO SLAB DEMOLITION TO VERIFY DIMENSIONS AND LOCATIONS OF SLAB AREAS TO BE REMOVED. SEE EXISTING CONDITION NOTE #19 & DETAILS ON SHEET A1.02

NOTE: THE GENERAL CONTRACTOR SHALL BE RESPONSIBLE FOR THE PATCHING/REPAIR OF CONCRETE FLOOR AFTER REMOVAL/RELOCATION OF EXISTING CHECKOUT COUNTER SEE GENERAL NOTE #5.

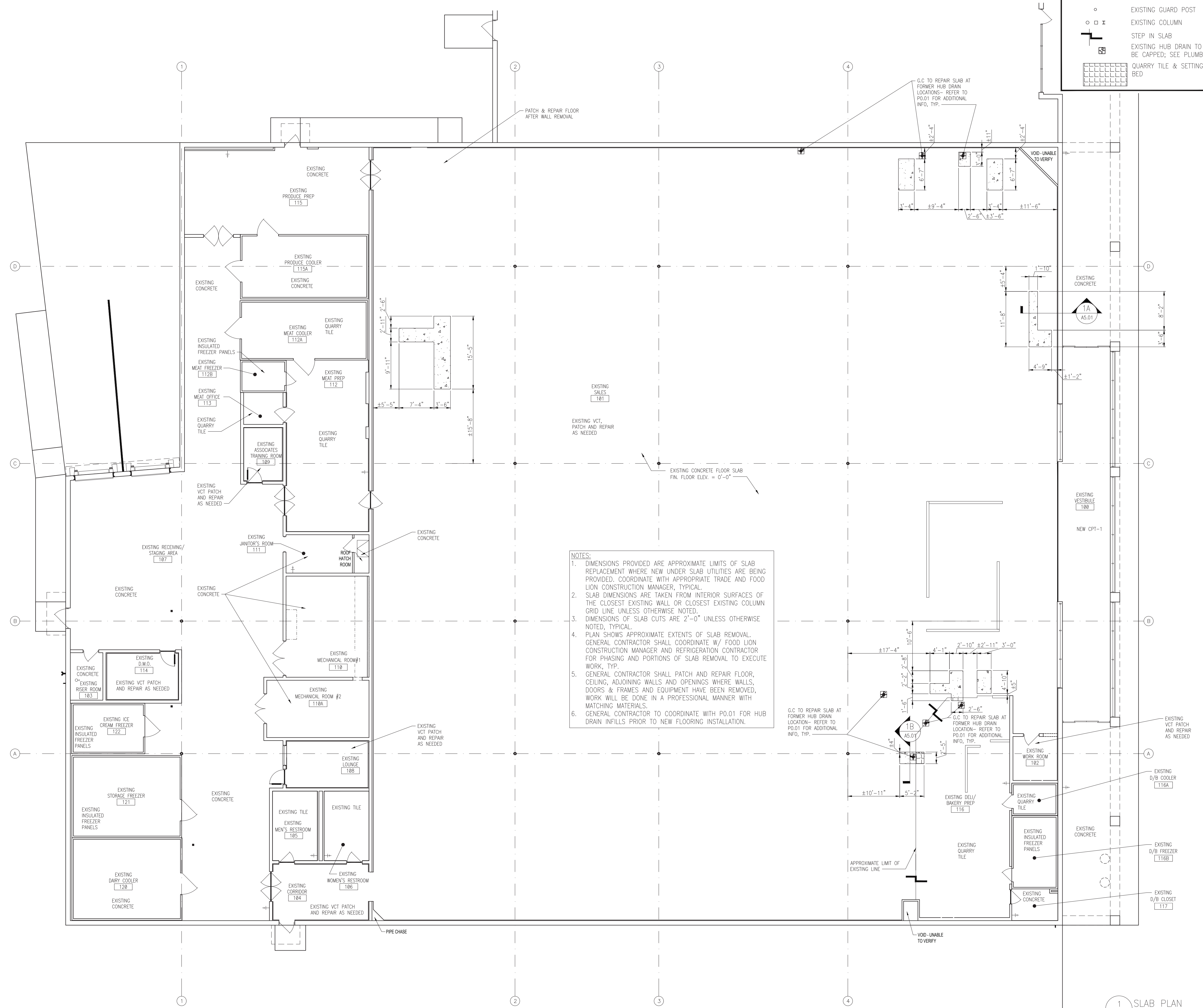


GENERAL NOTES:

- ANY DIMENSIONS THAT ARE SHOWN WHICH THE GENERAL CONTRACTOR FINDS TO BE INCONSISTENT WITH THE PLANS SHALL BE IMMEDIATELY BROUGHT TO THE ATTENTION OF THE FOOD LION CONSTRUCTION SUPERVISOR.
 - GENERAL CONTRACTOR TO INSTALL GUARD POST AS INDICATED ON SITE-SPECIFIC A1.01.
 - PLAN SHOWS APPROXIMATE EXTENT OF SLAB REMOVAL. GENERAL CONTRACTOR SHALL COORDINATE W/CONSTRUCTION MANAGER AND REFRIGERATION CONTRACTOR FOR THE PHASING AND PORTIONS OF SLAB REMOVAL TO EXECUTE THE WORK.
- UNDER SLAB
- GENERAL CONTRACTOR SHALL REFER TO SHEET P1.01 AND P1.02 FOR TRENCH DRAINS, HUB DRAINS AND REFRIGERATION LINE PIT LOCATIONS BEFORE POURING SLAB OR FOOTINGS
 - GENERAL CONTRACTOR SHALL TAKE EXTRA PRECAUTION WHEN POURING CONCRETE SLABS SO AS NOT TO CRUSH REFRIGERATION AND SANITARY SEWER LINES. REFER TO SHEET P1.02 FOR LINE LOCATIONS.
 - SOIL UNDER ALL NEW SLABS TO BE TREATED FOR TERMITES PER SPECIFICATIONS.
 - GENERAL CONTRACTOR SHALL PROVIDE CUT OR SELECT FILL MATERIAL FOR SLABWORK. USE AGGREGATE NO LARGER THAN #57 FOR ALL NEW CONCRETE SLABS. SEE STRUCTURAL DRAWINGS FOR ADDITIONAL INFORMATION.
- CONCRETE SLAB
- NO CONSTRUCTION OR CONTROL JOINTS SHALL BE INSTALLED IN PRODUCE PREP, GROCERY STAGING AREA AND DELI/BAKERY U.O.N.
 - THE GENERAL CONTRACTOR SHALL USE 10 MIL UNDER SLAB VAPOR RETARDER TURNED UP AT CONCRETE SLAB EDGES AND 30 LB FELT AROUND ALL INTERIOR COLUMNS. NO EXPANSION JOINT MATERIAL SHALL BE USED.
 - THE GENERAL CONTRACTOR SHALL PROVIDE LABOR AND MATERIALS TO FILL SPECIFIED FLOOR DEPRESSIONS AND PITS TO SPECIFIED HEIGHTS.
 - THE GENERAL CONTRACTOR SHALL VERIFY CONDITION OF EXISTING CONCRETE SLABS. AREAS THAT ARE NOT SPECIFICALLY ADDRESSED ON THE DRAWINGS OR IN THE BID NOTES SHALL BE BID SEPARATELY. COORDINATE WITH FOOD LION CONSTRUCTION MANAGER. GENERAL CONTRACTOR SHALL INCLUDE FLOOR PATCHING OR LEVELING TO BE DONE BECAUSE OF RELOCATION OF FLOOR STUBS, FIXTURES, PLUMBING & ELECTRICAL WORK.
 - IF APPLICABLE: TEMPERATURE DRAW-DOWN PROCEDURE SHALL NOT BEGIN PRIOR TO COMPLETE CONCRETE CURING (MINIMUM OF 30 DAYS AFTER INSTALLATION). ALL STORES WITH INSULATED CONCRETE FLOORS IN FREEZERS MUST BE SLOWLY BROUGHT DOWN TO TEMPERATURE FOLLOWING THE SCHEDULE BELOW TO PREVENT CRACKING THE FLOOR DUE TO THERMAL CONTRACTION. CAULKING OF SLAB-WALL JOINTS AND EXPANSION JOINTS SHOULD BE DONE AFTER THE RECOMMENDED 35 DEGREE HOLD PERIOD.
- | TEMPERATURE | TIME |
|---------------------|------------------------|
| AMBIENT TO 35° F | 10' PER EVERY 24 HOURS |
| HOLD AT 35° F | 3-5 DAYS |
| 35° F TO FINAL TEMP | 10' PER EVERY 24 HOURS |
- FLOOR SLOPES
- THE FLOOR SLAB SHALL SLOPE 1/16" PER FOOT TO DRAINS IN ALL AREAS WHERE FLOOR DRAINS OCCUR. SLOPES WILL CORRESPOND WITH PLUMBING WORK, SEE P1.01 AND P4.01.
 - GENERAL CONTRACTOR SHALL PROVIDE POSITIVE DRAINAGE IN ALL PREP AREAS, RESTROOMS, AND COOLERS.
 - THIS SLAB AREA TO BE FLAT (NOT SLOPED) AND LEVEL WITH FINISHED FLOOR.
- CONCRETE FINISH
- THE GENERAL CONTRACTOR SHALL CAULK ALL JOINTS AT JUNCTURE OF SLABS AND WALLS WITH URETHANE SEALANT (GRAY), INCLUDING AREAS BEHIND CASES AND ALL OTHER AREAS THAT ARE NOT EXPOSED. THIS SHALL BE DONE PRIOR TO APPLYING FINISHES.
 - ALL NEW EXPOSED CONCRETE SLABS SHALL NOT RECEIVE AN APPLICATION OF SHAKE-ON HARDENER, BUT RATHER LIQUID DENSIFIER/SEALER. LIQUID DENSIFIER/SEALER SHALL BE "EUCCO DIAMOND HARD" BY THE EUCCO CHEMICAL COMPANY. RATE OF APPLICATION SHALL BE PER SPECIFICATIONS. ALL NEW UNEXPOSED CONCRETE SLABS; AREAS RECEIVING VCT, HARD TILE OR RESINOUS FLOORING DO NOT REQUIRE LIQUID DENSIFIER/SEALER.
- TRENCH WORK
- FIBERGLASS PITS CAN BE MODIFIED AS NEEDED TO WORK AROUND EXISTING CONDUIT, ETC. POUR-BACKS SHALL BE FINISHED FLUSH WITH A MINIMUM 2" CONCRETE TO THE EXISTING SLAB; ALLOW FOR FUTURE PIT ACCESS. ALL REVISED PITS MUST BE SEALED COMPLETELY TO RODENT-PROOF AND ELIMINATE CONSTRUCTION MATERIAL FROM DAMAGING THE REFRIGERATION LINES. SPECIAL PRECAUTIONS NEED TO BE MADE WHEN CUTTING HOLES IN FIBERGLASS BOXES; LIMIT THE AMOUNT OF FIBERGLASS THAT IS CUT AWAY FOR LINE INSTALLATIONS. ALL NEW PITS SHALL BE FIBERGLASS! ALL PITS SHALL BE PHOTOGRAPHED WITH CURRENT DATE TO SHOW INTERIOR BEFORE AND AFTER VAPOR RETARDER INSTALL AND TRENCH COMPLETION.
 - ALL DIRT SHALL BE REMOVED FROM THE STORE WITH ABSOLUTELY NO SPILLAGE ONTO THE EXISTING FLOOR. TRENCHES SHALL BE BACKFILLED WITH AGGREGATE NO LARGER THAN #57, BOWELS IN CONCRETE AND PROPER VAPOR BARRIER. OPEN TRENCHES ARE TO BE COVERED WITH 1/2" MIN. METAL PLATE AND MATCHING CARPET MATS, AND DUCT TAPED TO THE FLOOR DURING OPERATING HOURS. ALL PITS SHOULD BE PHOTOGRAPHED WITH A CURRENT DATE TO SHOW INTERIOR BEFORE AND AFTER VAPOR RETARDER INSTALL AND TRENCH COMPLETION.
 - CARPET MATS ARE TO BE CLEAN, SAME IN COLOR, AND HAVE RUBBER EDGES. ALL MATS ARE TO BE TAPED IN PLACE AT ALL TIMES.
- WALLS
- IF APPLICABLE: NEW WALLS AT RECEIVING DOCK, RAISED PLATFORMS AND RAMPS TO BE FILLED SOLID WITH CONCRETE.

SLAB LEGEND

- NEW CONCRETE SLAB AND FILLED DEPRESSIONS
- ABANDONED PITS TO BE INFILLED
- EXISTING WALL
- NEW MASONRY REINFORCED WALL
- NEW GUARD POST & FOOTING
- EXISTING GUARD POST
- EXISTING COLUMN
- STEP IN SLAB
- EXISTING HUB DRAIN TO BE CAPPED; SEE PLUMBING
- QUARRY TILE & SETTING BED

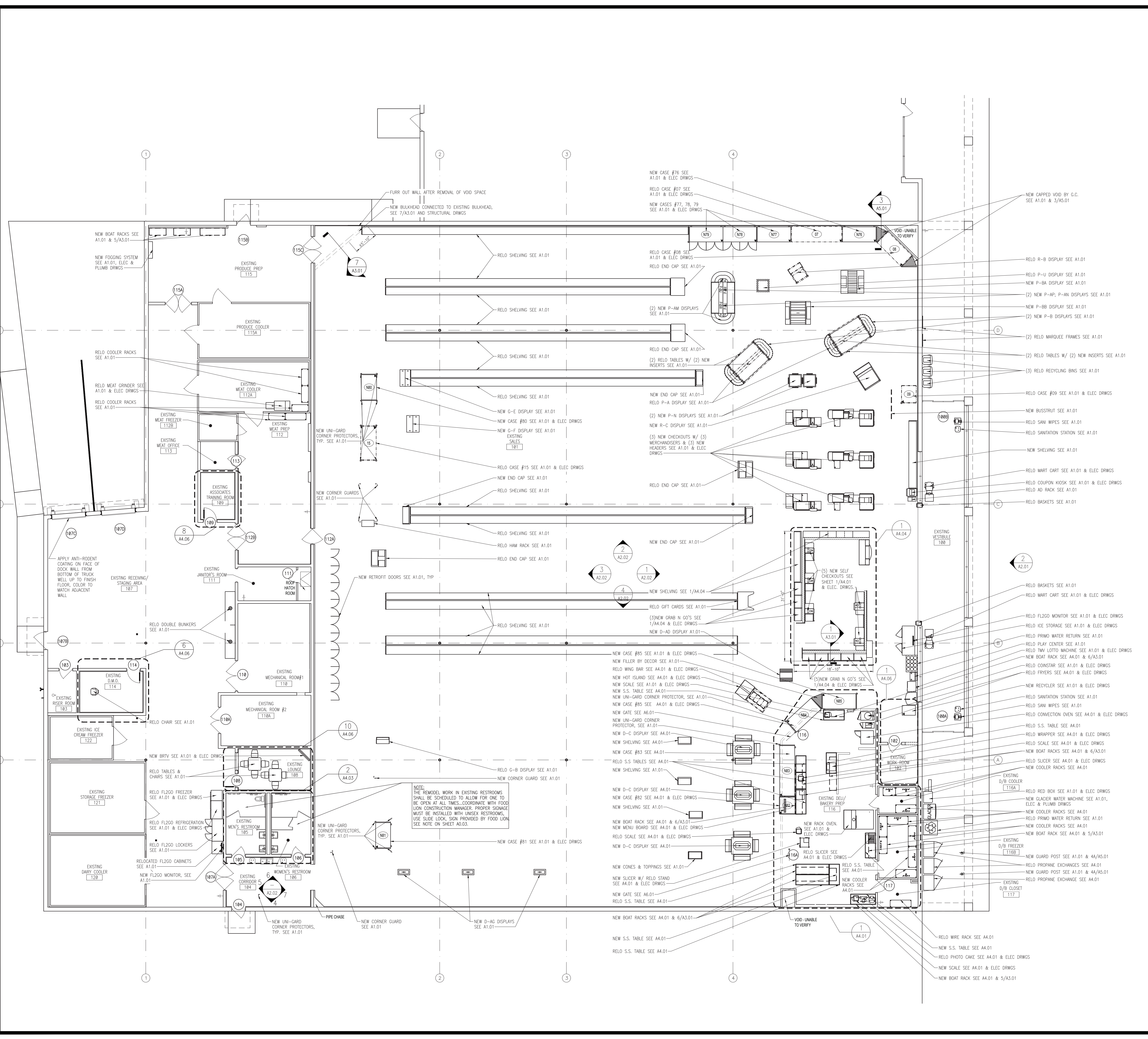


NOTES:

- DIMENSIONS PROVIDED ARE APPROXIMATE LIMITS OF SLAB REPLACEMENT WHERE NEW UNDER SLAB UTILITIES ARE BEING PROVIDED. COORDINATE WITH APPROPRIATE TRADE AND FOOD LION CONSTRUCTION MANAGER, TYPICAL.
- SLAB DIMENSIONS ARE TAKEN FROM INTERIOR SURFACES OF THE CLOSEST EXISTING WALL OR CLOSEST EXISTING COLUMN GRID LINE UNLESS OTHERWISE NOTED. DIMENSIONS OF SLAB CUTS ARE 2'-0" UNLESS OTHERWISE NOTED, TYPICAL.
- PLAN SHOWS APPROXIMATE EXTENTS OF SLAB REMOVAL. GENERAL CONTRACTOR SHALL COORDINATE W/ FOOD LION CONSTRUCTION MANAGER AND REFRIGERATION CONTRACTOR FOR PHASING AND PORTIONS OF SLAB REMOVAL TO EXECUTE WORK, TYP.
- GENERAL CONTRACTOR SHALL PATCH AND REPAIR FLOOR, CEILING, ADJOINING WALLS AND OPENINGS WHERE WALLS, DOORS & FRAMES AND EQUIPMENT HAVE BEEN REMOVED. WORK WILL BE DONE IN A PROFESSIONAL MANNER WITH MATCHING MATERIALS.
- GENERAL CONTRACTOR TO COORDINATE WITH P.O.1 FOR HUB DRAIN INFILLS PRIOR TO NEW FLOORING INSTALLATION.

1 SLAB PLAN
A1.02 SCALE: 3/32" = 1'-0"





GENERAL NOTES:

- FOOD LION WILL BE SUPPLYING THE NECESSARY AUTOMATIC DOORS, CONTROL PANELS, INTERIOR LIGHTING, IMPACT DOORS, SINKS, WATER FOUNTAINS, WATER HEATERS, ADJUSTABLE STANDS, HAND DRYERS AND HVAC EQUIPMENT FOR THIS PROJECT. INSTALLATION AND WARRANTIES OF THIS EQUIPMENT ARE TO BE SUPPLIED BY THE GENERAL CONTRACTOR. THE GENERAL CONTRACTOR IS RESPONSIBLE FOR PLACING THE ORDER FOR ITEMS DIRECTLY FROM THE SUPPLIER AS SOON AS THE CONTRACT IS AWARDED. THE ITEMS MUST BE STORED ON SITE IN STORAGE TRAILERS. A COMPLETE PACKAGE WITH THE INFORMATION WILL BE SENT TO THE AWARDED GENERAL CONTRACTOR. THESE ITEMS, WITH THE EXCEPTION OF INSTALLATION AND WARRANTY, MUST BE EXCLUDED FROM THE BID. SEE SHEET A1.01.
- METAL FLASHING BETWEEN ALL WALK-IN COOLERS/FREEZERS AND ADJACENT WALLS TO BE FURNISHED BY THE WALK-IN MANUFACTURER AND INSTALLED BY THE GENERAL CONTRACTOR. GC SHALL FURNISH AND INSTALL A CONTINUOUS BATTEN STRIP AND #16 MESH SCREENING ALONG TOP OF WALK-IN PANELS AND ADJACENT WALLS AND/OR WALK-IN PANELS, FASTENERS SPACED 18" O.C.
- ALL CONTRACTORS SHALL HAVE A STORAGE TRAILER FOR STORAGE OF MATERIALS AND EQUIPMENT WHEN NOT IN USE. ANY MATERIALS LEFT IN AN AREA THAT HINDERS STORE OPERATIONS WILL BE DISCARDED. COORDINATE WITH FOOD LION CONSTRUCTION MANAGER.
- GENERAL CONTRACTOR SHALL GROUT THE GAP BETWEEN WALK-IN FREEZERS AND EDGE OF DEPRESSED SLAB IF APPLICABLE.
- GENERAL CONTRACTOR SHALL BE RESPONSIBLE FOR FINAL CLEANING AND SANITIZING ALL PREPS, RESTROOMS AND DELI/BAKERY. THE WORK MUST BE APPROVED BY FOOD LION CONSTRUCTION MANAGER.
- GENERAL CONTRACTOR TO VERIFY ALL EXISTING DIMENSIONS.
- GENERAL CONTRACTOR IS TO ENCLOSE THE AREAS ABOVE ALL ROOMS AND EXPOSED WALK-IN COOLERS/FREEZERS IN GROCERY STAGING/RECEIVING AREAS (IF NOT EXISTING OR REPAIR IF DAMAGED) WITH 2x4 WELDED WIRE ON 3 5/8" METAL STUDS @ 24" O.C. RUN STUDS TO THE ROOF DECKING. GENERAL CONTRACTOR TO PROVIDE 30"x48" ACCESS DOORS IN WIRE ABOVE AS REQUIRED TO ALLOW FOR MAINTENANCE ACCESS.
- CONTRACTOR SHALL VERIFY LOCATION OF ALL UTILITIES. ALL RELOCATION OF UTILITIES SHALL BE COORDINATED WITH THE FOOD LION CONSTRUCTION MANAGER AND/OR LOCAL UTILITIES.
- GENERAL CONTRACTOR IS RESPONSIBLE FOR SEALING ALL OPENINGS/PENETRATIONS IN THE MECHANICAL ROOM AIR-TIGHT.
- GENERAL CONTRACTOR SHALL BE RESPONSIBLE FOR SUPPLYING AND INSTALLING THE MINIMUM AMOUNT OF FIRE EXTINGUISHERS AS FOLLOWS:
8 - 5 LBS. ABC
1 - 10 LBS. ABC (BAKER)
1 - 6 LBS. BC (DELI/BAKERY)
(PROVIDE ADDITIONAL EXTINGUISHERS IF INDICATED ON PLAN)
THE ACCEPTABLE MANUFACTURERS OF THESE FIRE EXTINGUISHERS ARE SENTRY, ANSUL AND BADEGER. THE GENERAL CONTRACTOR SHALL COORDINATE LOCATIONS OF FIRE EXTINGUISHERS WITH THE FOOD LION CONSTRUCTION MANAGER. FIVE-POUND ABC RATED PORTABLE FIRE EXTINGUISHERS SHALL BE REQUIRED SO THAT THERE IS NO MORE THAN 50 FEET OF TRAVEL TO AN EXTINGUISHER. THE GENERAL CONTRACTOR SHALL ALSO BE RESPONSIBLE FOR SUPPLYING AND INSTALLING ANY ADDITIONAL FIRE EXTINGUISHERS THAT MAY BE REQUIRED BY LOCAL FIRE CODES. THE GENERAL CONTRACTOR SHALL BE RESPONSIBLE FOR RECHARGING AND UPDATING OF EXISTING EXTINGUISHERS.
- THE GENERAL CONTRACTOR SHALL INSTALL EXTERIOR MOUNTED GUARD POSTS AS INDICATED ON SITE-SPECIFIC A1.01 AND THE FOOD LION CONSTRUCTION MANAGER.
- GENERAL CONTRACTOR SHALL SUPPLY AND INSTALL TOILET PARTITIONS AS DESCRIBED ON SHEET A4.03 AND IN THE SPECIFICATIONS.
- THE GENERAL CONTRACTOR SHALL PRESSURE WASH JANITOR'S ROOM/PREP CLOSET FLOORS, WALLS AND CAN WASH.
- THE GENERAL CONTRACTOR SHALL CAULK THE TOP AND BOTTOM OF ALL WOOD BASEBOARDS IN WALK-IN COOLERS AFTER REPAIRING; REMOVE WOOD BASEBOARDS AT ALL CMU WALLS.
- GENERAL CONTRACTOR SHALL CAULK AROUND ALL FIXTURES/WALL-FASTENED ACCESSORIES IN RESTROOMS/ALL CORRIDORS/PREP ROOMS AND OFFICES THROUGHOUT THE ENTIRE STORE. (WATER FOUNTAINS, SINKS, PAPER TOWEL HOLDERS, ELECTRICAL PLATE COVERS, PLUMBING FIXTURES, PLUMBING ESCUTCHEONS, ELECTRICAL OUTLETS, SPRINKLER ESCUTCHEONS AND WALL MOUNTED FIXTURES, ETC.) CAULK COLOR TO MATCH FIXTURES.
- GENERAL CONTRACTOR SHALL INSTALL JOINTS IN NEW GYPSUM BOARD WALL FINISH IN SALES AREA AS REQUIRED BY MANUFACTURER. SEE DETAIL 1/A3.01. AT A MINIMUM, SPACING SHALL BE 30'-0".
- ALL NEW PLYWOOD WORK IS TO BE FIRE RETARDANT TREATED PLYWOOD.
- THE REFRIGERATION CONTRACTOR SHALL BE RESPONSIBLE FOR INSTALLATION OF ALL NEW RETROFIT DOORS.
- THE INTENTION OF FOOD LION IS TO COMPLY WITH ALL REQUIREMENTS SET FORTH IN THE AMERICANS WITH DISABILITY ACT.
- ALL CONTRACTORS AND SUBCONTRACTORS SHALL COMPLY WITH ALL FEDERAL, STATE AND LOCAL CODES.
- IF NEW SIGNAGE IS REQUIRED, THE GENERAL CONTRACTOR SHALL VERIFY WITH LOCAL SIGN ORDINANCE THAT THE "FOOD LION" SIGN MEETS ALL REQUIREMENTS OF THE ORDINANCE.
- THE GENERAL CONTRACTOR SHALL SUPPLY ALL SIGNS THAT DENOTE HAZARDOUS AREAS AROUND THE CONSTRUCTION.
- GENERAL CONTRACTOR TO ACCEPT, STORE, ASSEMBLE & SET OR RELOCATE SMALL EQUIPMENT SIMILAR TO, BUT NOT LIMITED TO; CART CORNERS, BENCHES, BACKROOM EQUIPMENT, BIKE RACKS, OFFICE FURNITURE, CHAIRS, SHELVES, LAUNDRY CABINET, ETC.
- GENERAL CONTRACTOR IS TO DO INSTALLING A SPRINKLER SYSTEM UNDER THE FRONT CANOPY. ANTI-FREEZE IS PREFERRED, BUT CHECK FOR LOCAL REQUIREMENTS. IF ANTI-FREEZE SYSTEM IS NOT ALLOWED, THEN INSTALL A DRY-LOOP SYSTEM. COORDINATE WITH THE CONSTRUCTION MANAGER ON THE COMPRESSOR LOCATION AND POWER REQUIREMENTS. THE SPRINKLER CONTRACTOR MUST INSTALL A TAMPER SWITCH ON THE BALL VALVE FOR THE ANTI-FREEZE SYSTEM.
- GENERAL CONTRACTOR SHALL CONSTRUCT A PLATFORM AROUND THE AIR HANDLER AFTER THE AIR HANDLER IS INSTALLED. PLATFORM SHALL MEET ALL OSHA AND CODE REQUIREMENTS.
- THE GENERAL CONTRACTOR SHALL CONSTRUCT A PLATFORM FOR THE WATER HEATER ABOVE THE MEN'S RESTROOM. SEE SHEET P6.01.
- INSULATE THE CELLS OF THE MASONRY WALLS WITH A MINIMUM "R" VALUE OF 15.7.
- ALL STAINLESS STEEL THRESHOLDS SHALL BE 304 5/S WITH #28 FINISH AND PROTECTIVE FILM. THRESHOLDS SHALL BE 5" WIDE X 1 1/2" GAUGE (1/8" THICK) STAINLESS STEEL WITH COUNTERSUNK SCREWS AND SET IN A FULL BED OF SILICONE TO FLOOR. ALL OTHER STAINLESS STEEL SHALL BE 304 WITH #3 FINISH AND PROTECTIVE FILM. COLUMN WRAPS SHALL BE 22 GAUGE STAINLESS STEEL, SET ON TOP OF THE FINISH FLOOR TO 4'-0" AFF. FOR ROUND COLUMNS, PROVIDE A 3" FOLD OVER HEM LAP SEAM. FOR SQUARE COLUMNS, PROVIDE A 1" LAP SEAM WITH HEMMED EDGE. INSTALL WRAP WITH STAINLESS STEEL RIVETS, 3/8" FROM THE TOP, 2" FROM BOTTOM AND APPROXIMATELY 10'-22" INTERMEDIATELY SPACED. FULLY CAULK TOP AND BOTTOM OF WRAP AND SEAM WITH CLEAR SILICONE SEALANT. CAULK AFTER COLUMN PAINTING IS COMPLETED. OPEN HEM FLASHING AND BACK-SPLASH SHALL BE 20 GAUGE. ALL OTHER TRIM, DOOR FRAMES, DOOR PLATES, CORNER GUARDS (NON-HEMMED EDGES), ETC. SHALL BE 18 GAUGE STAINLESS STEEL. ALL EDGES SHALL BE DEBURRED AND HAVE RADIIUS CORNERS.
- THE GENERAL CONTRACTOR SHALL PATCH ALL OPENINGS IN MASONRY WALLS, GROUT OR CAULK ALL PENETRATIONS, HOLES AND/OR CRACKS IN ALL WALLS (NEW AND EXISTING); THE VOIDS ON TOP OF ALL MASONRY WALLS MUST BE FILLED AND SEALED WITH A CEMENTITIOUS MATERIAL.

EXTERIOR

- GENERAL CONTRACTOR SHALL SAND, CLEAN AND REPAINT ANY NEW & EXISTING EXTERIOR GUARD POSTS WITH "TRAFFIC YELLOW" PAINT.
- GENERAL CONTRACTOR SHALL SAND, CLEAN AND REPAINT (MIN. OF 2 COATS) ALL EXTERIOR METAL INCLUDING BUT NOT LIMITED TO STAIRS, CANOPY SUPPORTS, DOORS AND FRAMES, CART CORNERS, ROOFING STEEL, ETC. AS DEPICTED IN THESE DRAWINGS OR AS DIRECTED BY THE FOOD LION CONSTRUCTION MANAGER.
- ANTI-RODENT COATING - APPLY (1) ONE COAT OF SHERWIN WILLIAMS FT910 SURFACING COMPOUND (PRIMER) AND (2) COATS OF ACRYLONITRILE URETHANE (FINISH COAT). COLOR TO MATCH EXISTING EXTERIOR COLOR. COORDINATE WITH FOOD LION CONSTRUCTION MANAGER.
- GENERAL CONTRACTOR SHALL BE RESPONSIBLE FOR HANGING OR REHANGING ENFORCEABLE "NO PARKING" SIGNS ON FRONT COLUMNS. THE BOTTOM OF EACH SIGN SHALL BE MOUNTED 4'-0" ABOVE THE FINISHED CONCRETE WALK. SIGNS TO BE PROVIDED BY GC.
- GENERAL CONTRACTOR IS TO PRESSURE WASH FRONT SIDEWALKS, STORE FRONT MASONRY, VINYL CEILING, AND DUMPER PADS ONE WEEK PRIOR TO BE-GRAND. MUST USE HOT WATER AND GENERAL CONTRACTOR IS TO HAVE ALL STOREFRONT GLASS PROFESSIONALLY CLEANED AFTER PRESSURE WASHING THE SIDEWALK DURING THE WEEK PRIOR TO GRAND OPENING.
- ALL NEW EXTERIOR ALUMINUM CANOPIES SHALL BE A MINIMUM OF 24 GAUGE DECKING. REFER TO SPECIFICATIONS FOR REQUIREMENTS.

LEGEND

- NEW METAL STUD WALL FRAMING
- EXISTING WALL
- NEW CONCRETE BLOCK WALL
- NEW BRICK VENEER
- NEW COOLER/FREEZER WALLS
- ROOM NUMBER...SEE SHEET A6.01
- DOOR NUMBER...SEE SHEET A6.01
- NEW UNI-GARD CORNER PROTECTOR... SEE SHEET #A1.01
- WINDOW MARK...SEE SHEET A6.01

NOTE: GENERAL CONTRACTOR SHALL SAND AND REPAINT THE NEW & EXISTING EXTERIOR GUARDPOSTS WITH "TRAFFIC YELLOW" PAINT.

NOTE: GENERAL CONTRACTOR SHALL SAND AND CLEAN ALL EXTERIOR METAL INCLUDING BUT NOT LIMITED TO STAIRS, CANOPY SUPPORTS, DOORS AND FRAMES, CART CORNERS, GUARD POSTS, ROOFING STEEL, ETC. BEFORE PAINTING (MIN. OF 2 COATS) COORDINATE WITH FOOD LION CONSTRUCTION MANAGER.

NOTE: CONTRACTOR TO COORDINATE WITH FOOD LION CONSTRUCTION MANAGER, SHEET A1.05 FLOORING MANUFACTURER'S WRITTEN SPECIFICATIONS AND DETAILS FOR PREPARATION AND INSTALLATION OF NEW FLOORING AS INDICATED ON SHEET A1.05

1 FLOOR PLAN
A1.03 SCALE: 3/32" = 1'-0"
NORTH

FOOD LION
2110 Executive Drive, Salisbury, NC 28147
Telephone: 704.632.8250
Food Lion is an ANOLD DELHAIZE company.

FOOD LION REMODEL STORE #1237
133 MITTIE HADDOCK DRIVE
CAMERON, NC, 28326

PROJECT NO: 2023.0026
DATE: 09/06/23
9 OF 43
A1.03
FLOOR PLAN

CHECKED: EC DRAWN: WC

DAFCOS - 09/06/2023 4:54:20 PM

INTERPLAN
INTERPLAN PLLC
P-0215

ARCHITECTURE ENGINEERING PERMITTING

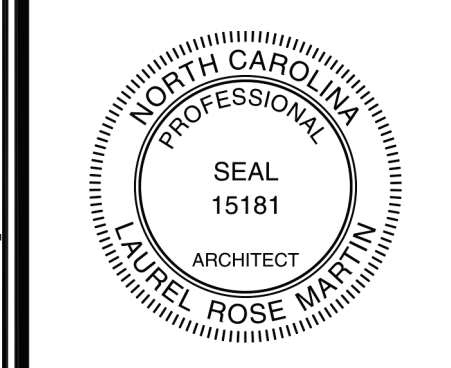
220 E. CENTRAL PKWY, STE 4000
ALAMONTE SPRINGS, FL 32701
407.845.5008

ARCHITECTS SEAL:
NORTH CAROLINA PROFESSIONAL ARCHITECT
SEAL 15181
LAUREL ROSE MARTIN

CORPORATE SEAL:
INTERPLAN, PLLC
51613
NORTH CAROLINA PROFESSIONAL ARCHITECT
ORLANDO, FL

ENGINEER'S SEAL:

REVISIONS
NO DATE REMARKS



NO	DATE	REVISIONS	REMARKS



FOOD LION
REMODEL
STORE #1237
133 MITTIE HADDOCK DRIVE
CAMERON, NC, 28326

PROJECT NO: 2023.0026
DATE: 09/06/23

10 OF 43
A1.04
REFLECTED CEILING PLAN

CHECKED: EC DRAWN: WC

REFLECTED CEILING LEGEND

LIGHTING (SEE ELECTRICAL):

- NEW LIGHTS
- RELOCATED LIGHTS
- EXISTING LIGHTS
- EXISTING LIGHTS TO BE REMOVED
- NEW NIGHT LIGHTS
- NEW LIGHTS WITH TUBE SHIELDS
- EXISTING COOLER/FREEZER LIGHTS, SEE ELECTRICAL DRWS. FOR REPLACEMENTS
- NEW/RELOCATED COOLER/FREEZER LIGHTS
- EXISTING EXIT LIGHTS
- NEW/RELOCATED EXIT LIGHTS
- EXISTING EMERGENCY LIGHTS
- NEW EMERGENCY LIGHTS

HVAC & VENTILATION (SEE MECHANICAL):

- EXISTING DIFFUSER
- NEW/RELOCATED DIFFUSER
- EXISTING RETURN
- NEW/RELOCATED RETURN
- EXISTING EXHAUST FAN
- NEW/RELOCATED EXHAUST FAN OR TRANSFER FAN
- NEW/RELOCATED EXHAUST FAN OR TRANSFER FAN
- EXISTING EVAPORATOR
- NEW/RELOCATED EVAPORATOR

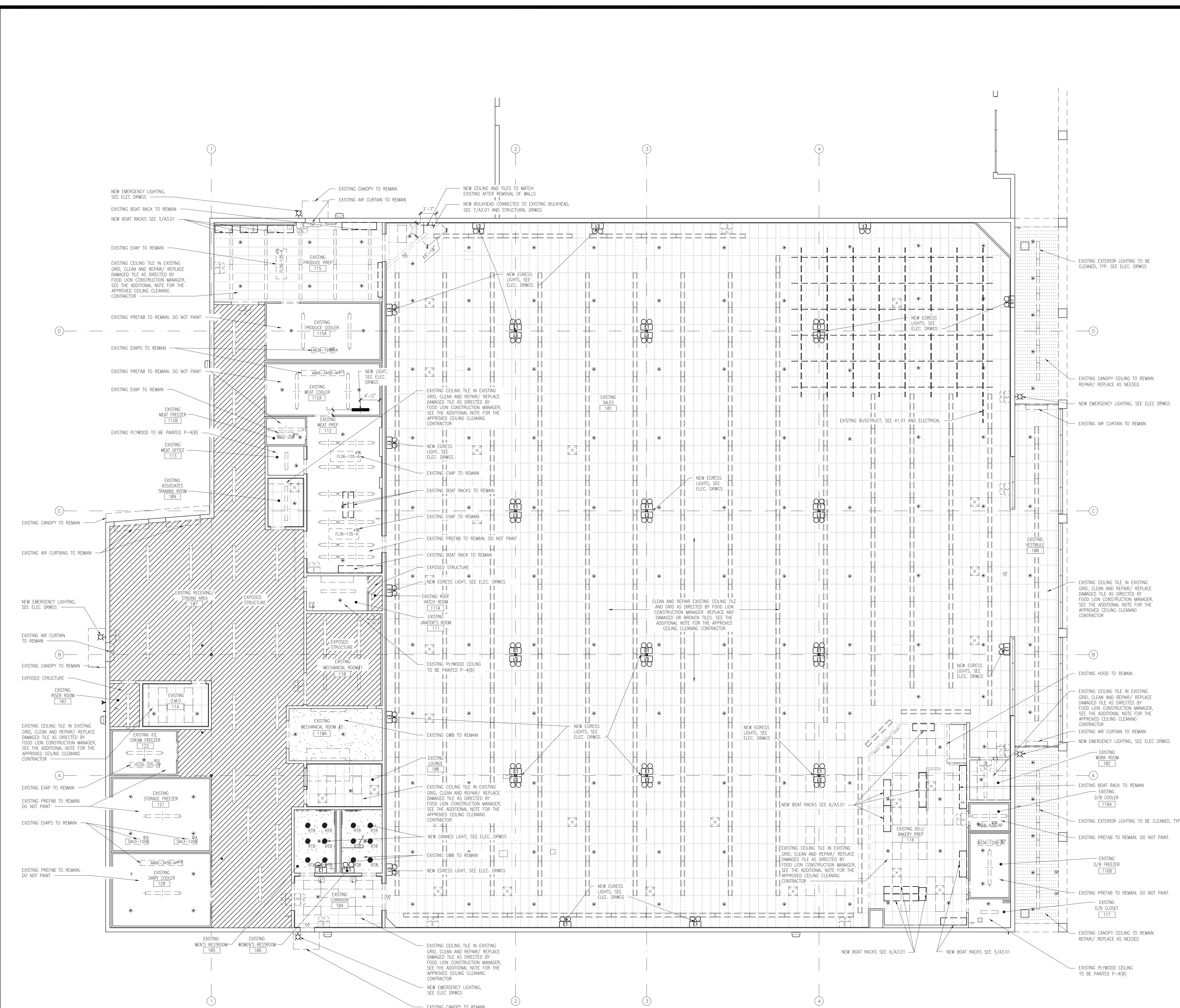
REFER TO SHEET A6.01 FOR FINISH MATERIALS LEGEND

CEILING TYPES:

- 10'-0" CEILING HEIGHT
- EXISTING SUSPENDED CEILING
- NEW SUSPENDED CEILING
- GYPSUM BOARD OR EIFS, PAINTED
- EXPOSED STRUCTURE
- FIRE RETARDANT PLYWOOD OR PREFAB CEILING
- EXTERIOR SOFFIT

GENERAL NOTES:

- CEILING HEIGHTS FOR ALL NEW CEILINGS SHALL BE AS NOTED IN ALL ROOMS.
- CEILING GRID TO BE 2'0"X4'0" T-BARS LAD OUT FROM CENTER LINES IN BOTH DIRECTIONS, LAY OUT SO THAT NO TILE LESS THAN HALF SIZE WILL BE USED, EXCEPT AS NOTED. MAIN RUNNERS TO BE 4'-0" ON CENTER WITH MAIN RUNNERS AT ALL LIGHT FIXTURES.
- GENERAL CONTRACTOR TO COORDINATE THE LOCATION OF SPRINKLER HEADS, LIGHT FIXTURES AND DIFFUSERS IN ALL AREAS WITH ASSOCIATIVE SUB-CONTRACTORS.
- PREP AREA CEILING TILE TO BE A F.R.P. LINED, FOM PANEL BY NUDD PRODUCTS INC. 2508 S. GRAND AVE. E., SPRINGFIELD, ILLINOIS 62707 PHONE: 1-800-826-4132 - SEE SPECIFICATIONS.
- RELOCATE EXISTING LIGHT FIXTURES AS NOTED, UNLESS DAMAGED. COORDINATE WITH FOOD LION CONSTRUCTION MANAGER.
- THE CONTRACTOR SHALL FURNISH TWO EXTRA BOXES OF CEILING TILE FOR EVERY NEW TYPE OF TILE USED IN THE STORE. TO BE LEFT AT THE STORE FOR FUTURE USE.
- IF APPLICABLE, THE REMOVAL OF EXISTING CEILING TILE IS TO BE DONE BEFORE REMOVAL OF RACK OVEN OR HOOD. NEW RACK OVEN OR HOOD TO BE INSTALLED BEFORE NEW CEILING IS INSTALLED IN THIS AREA. COORDINATE WITH THE CONSTRUCTION MANAGER.
- THE GENERAL CONTRACTOR SHALL VERIFY THE EXISTING LIGHTING LAYOUT. ANY DISCREPANCIES TO THE LAYOUT SHOWN SHALL BE IMMEDIATELY BROUGHT TO THE ATTENTION OF THE FOOD LION CONSTRUCTION MANAGER.
- GENERAL CONTRACTOR SHALL REPAIR THE CEILING GRID & INSTALL NEW TILE WHERE LIGHT FIXTURES HAVE BEEN REMOVED. COORDINATE W/ FOOD LION CONSTRUCTION MANAGER.
- ALL REPLACED CEILING GRID AND TILE SHALL MATCH EXISTING CEILING IN MATERIAL, COLOR, HEIGHT, AND LOCATION.
- NEW CEILINGS IN SALES & SUPPORT AREAS TO BE 2x4 ARMSTRONG HUMAGUARD PLUS TILE IN PRELUDE XL GRID - SEE SPECIFICATIONS.
- NEW CEILINGS IN PREP AREAS AND WET LOCATIONS TO BE 2x4 ARMSTRONG VINYL CLAD TILE IN PRELUDE XL GRID.



1 REFLECTED CEILING PLAN
A1.04 SCALE: 3/32" = 1'-0"



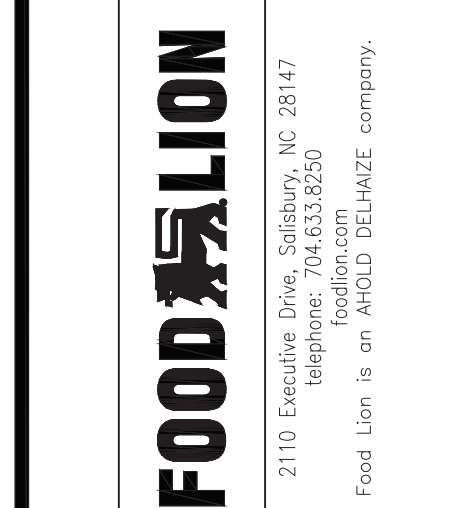
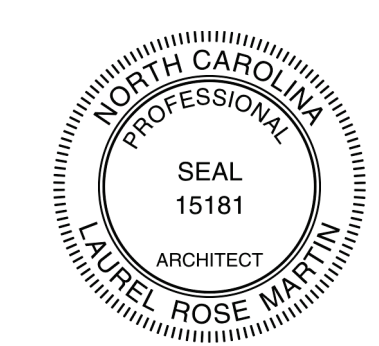
GENERAL CONTRACTOR IS RESPONSIBLE FOR PRIMING AND PAINTING (MATCH EXISTING CEILING COLOR) ALL UNPAINTED ITEMS IN OPEN CEILINGS, INCLUDING BUT NOT LIMITED TO: SUPPORT STEEL, CONDUIT, DUCT WORK, UNI-STRUT, REFRIGERATION PANS/LINES, JUNCTION BOXES AND SPRINKLER LINES.		CEILING TILE & GRID CHART	
CEILING TILE	GRID TYPE	LOCATION	TYPE
2x4 ARMSTRONG HUMAGUARD PLUS IN PRELUDE XL GRID		SALES AREA	
2x4 ARMSTRONG VINYL CLAD TILE IN PRELUDE XL GRID		DELI/BAKERY PREP & PRODUCE PREP	

NOTE: ALL OVERHEAD LIGHTS BEING RELOCATED SHALL BE REMOVED AND STORED IN SUCH A MANNER THAT RENDERERS LIGHT FIXTURES REUSABLE.

NOTE: SEE ELEC. DRWS. FOR EXISTING AND NEW CASE UP LIGHTING, EXIT SIGNS, EMERGENCY LIGHTING AND EXTERIOR WALL MOUNTED LIGHTS AND OTHER LIGHTING NOT SHOWN ON THIS PLAN (REFER TO E1.01 & E6.01)

NOTE: GENERAL CONTRACTOR/ELECTRICAL CONTRACTOR TO COORDINATE WITH FOOD LION CONSTRUCTION MANAGER FOR THE REPLACEMENT OF EXISTING EMERGENCY LIGHT FIXTURES

COPYRIGHT © 2023 INTERPLAN PLLC. ALL RIGHTS RESERVED. REPRODUCING THESE DOCUMENTS FOR ANY PURPOSE OTHER THAN THAT AUTHORIZED BY INTERPLAN PLLC IS STRICTLY PROHIBITED. CHANGES OR ASSIGNMENTS ARE PROHIBITED.

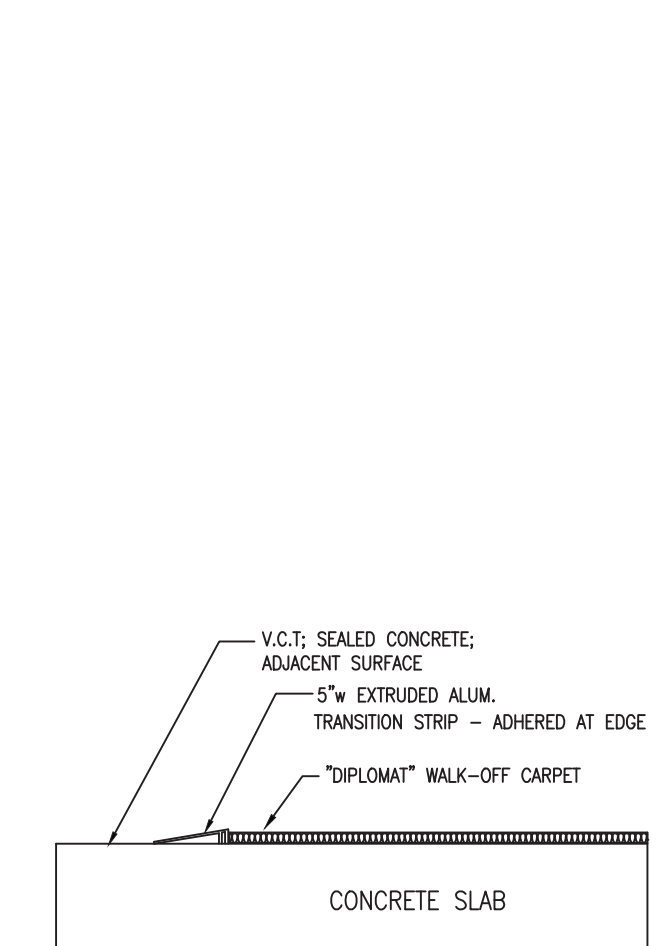


- GENERAL FLOORING NOTES:**
- VINYL FLOOR TILE (VCT)
 - SEE SPECIFICATIONS FOR ACCEPTABLE ADHESIVE FOR VINYL COMPOSITION TILE (VCT).
 - THE VINYL COMPOSITION TILE SHALL BE 1/8" MANUFACTURED BY ARMSTRONG.
 - THE GENERAL CONTRACTOR SHALL FURNISH AN ADDITIONAL 2% OF EACH COLOR OF VCT TO BE LEFT AT THE STORE. COORDINATE WITH THE FOOD LION CONSTRUCTION MANAGER.
 - THE GENERAL CONTRACTOR SHALL THOROUGHLY CLEAN AND WAX (2 COATS MINIMUM) VCT IMMEDIATELY AFTER INSTALLATION. ONLY USE CLEANER AND WAX PRODUCTS RECOMMENDED BY THE FLOOR MANUFACTURER.
 - THE FLOORING INSTALLER SHALL PERFORM A CALCIUM CHLORIDE OR HUMIDITY TEST FOR EACH 1,000 SQUARE FOOT AREA WHERE FLOORING WILL BE INSTALLED. THE INSTALLER SHALL PROVIDE A REPORT TO THE FOOD LION CONSTRUCTION REPRESENTATIVE FOR ALL AREAS THAT MOISTURE FALLS ABOVE 5 POUNDS, AND PROVIDE AN APPROPRIATE DAMP PROOF MEMBRANE.
 - THE GENERAL CONTRACTOR SHALL ALTERNATE THE FIELD TILES:
 - CARPET/MAT TILE
 - ENTRANCE FLOOR TILE SHALL BE "DIPLOMAT" BY PORTICO SYSTEMS WITH TAC FAST BACKING. COLOR SHALL BE "MINK". DIPLOMAT SHALL BE INSTALLED BY PORTICO SYSTEMS. CONTACT GREG GRIFIN (864) 527-3148. THE GENERAL CONTRACTOR SHALL FURNISH 5% EXTRA OF THE TOTAL AMOUNT OF DIPLOMAT USED, TO BE LEFT IN THE BACK ROOM OF THE STORE FOR FUTURE USE.
 - PHARMACY CARPET, WHEN APPLICABLE, SHALL BE "DIPLOMAT" BY PORTICO SYSTEMS WITH TAC FAST BACKING. COLOR SHALL BE "MINK". DIPLOMAT SHALL BE INSTALLED BY PORTICO SYSTEMS. CONTACT GREG GRIFIN (864) 527-3148. THE GENERAL CONTRACTOR SHALL FURNISH 5% EXTRA OF THE TOTAL AMOUNT OF DIPLOMAT USED, TO BE LEFT IN THE BACK ROOM OF THE STORE FOR FUTURE USE.
 - CONCRETE FLOORING
 - ALL PRODUCTS FOR UNDERLAYMENT OF VCT SHALL BE MAPEI TO PROVIDE A COMPLETE MAPEI SYSTEM. SEE SPECIFICATIONS.
 - IN AREAS WHERE FLOOR DRAINS OCCUR, THE FINISH FLOOR SHALL SLOPE 1/16" PER FOOT TO DRAIN.
 - SEAL ALL EXPOSED CONCRETE FLOORS WITH AN EXTRA COAT OF CONCRETE SEALER ONE WEEK PRIOR TO GROCERY DELIVERY. SEALER TO BE PER SPECIFICATIONS. COORDINATE WITH FOOD LION CONSTRUCTION MANAGER.
 - THE GENERAL CONTRACTOR SHALL USE 10 MIL VAPOR RETARDER AT CONCRETE SLAB EDGES AND 30 LB. FELT AROUND INTERIOR COLUMNS. NO EXPANSION JOINT MATERIAL SHALL BE USED.
 - THE GENERAL CONTRACTOR SHALL INSTALL A 5" WIDE 11GA (1/8" THICK) STAINLESS STEEL THRESHOLD WITH COUNTERSUNK SCREWS AND SET IN A FULL BED OF SILICONE TO THE FLOOR FOR DISSIMILAR FLOOR FINISHES (RESINOUS FLOOR AND CONCRETE, VCT AND CONCRETE, RESINOUS FLOOR AND VCT, QUARRY TILE & VCT). GC SHALL INSTALL A BEVELED ADA COMPLIANT MARBLE THRESHOLD AT RESTROOM DOORS (4" WIDE x 5/8" HIGH).
 - EXTERIOR SURECRETE APPLICATION SHALL BE SURECRETE DESIGN PRODUCTS "SURESPRAY PEBBLE TEXTURE" COLOR "FL100". GC SHALL SEAL WITH SURESEAL SOLVENT-BASED OR SURESEAL WATER-BASED PIGMENTED SEALER.
 - RESINOUS DECORATIVE FLOORING
 - ALL PRODUCTS FOR UNDERLAYMENT OF VCT SHALL BE MAPEI TO PROVIDE A COMPLETE MAPEI SYSTEM. SEE SPECIFICATIONS.
 - RESINOUS FLOORING TO TAPER OFF FLUSH WITH CONCRETE BEHIND COOLER PANEL. DO NOT INSTALL A METAL TRANSITION STRIP.
 - RESINOUS DECORATIVE FLOORING SHALL BE PURCHASED FROM DUR-A-FLEX INC. CONTACT KEVIN STEPHENS AT (919) 208-8662 OR FROM PROTECTIVE INDUSTRIAL POLYMERS, CONTACT STEVE McSWEENEY AT (804) 937-5000.
 - COORDINATE RESINOUS FLOOR LAYOUT WITH BASE INSTALLER
 - QUARRY/CERAMIC/PORCELAIN TILE
 - THE GENERAL CONTRACTOR SHALL CLEAN ALL EXISTING TILE IN THE RESTROOMS, MEAT PREP, MEAT COOLER, MEAT STORAGE, DELI/BAKERY PREP, DELI/BAKERY COOLER AND DELI/BAKERY STORAGE. ANY REPAIR OR RENOVATIONS TO BE DONE WITH MATCHING MATERIALS. COORDINATE ALL WORK WITH THE PLUMBING, SLAB AND DEMO PLANS ALONG WITH THE FOOD LION CONSTRUCTION MANAGER PRIOR TO COMMENCING WORK.
 - INSTALL NEW QUARRY, CERAMIC OR PORCELAIN TILE AT A 90° ANGLE TO THE WALL, UNLESS OTHERWISE NOTED; LEVEL WITH FINISHED FLOOR. MATCH EXISTING.
 - RESTROOMS, MEAT PREP, MEAT COOLER, MEAT STORAGE, DELI/BAKERY PREP, DELI/BAKERY COOLER AND DELI/BAKERY STORAGE SHALL HAVE EPOXY GROUT CONFORMING TO TSI AARI HI, ANSI A118.3, FOR ANY REPAIR/REMODEL WORK.
 - FLOOR TILE MANUFACTURER SHALL PROVIDE A LETTER CERTIFYING ALL TILES ARE SLIP RESISTANT IN ACCORDANCE WITH CABO/ANSI 117.1-2009 SECTION 302.

FLOOR FINISH LEGEND:

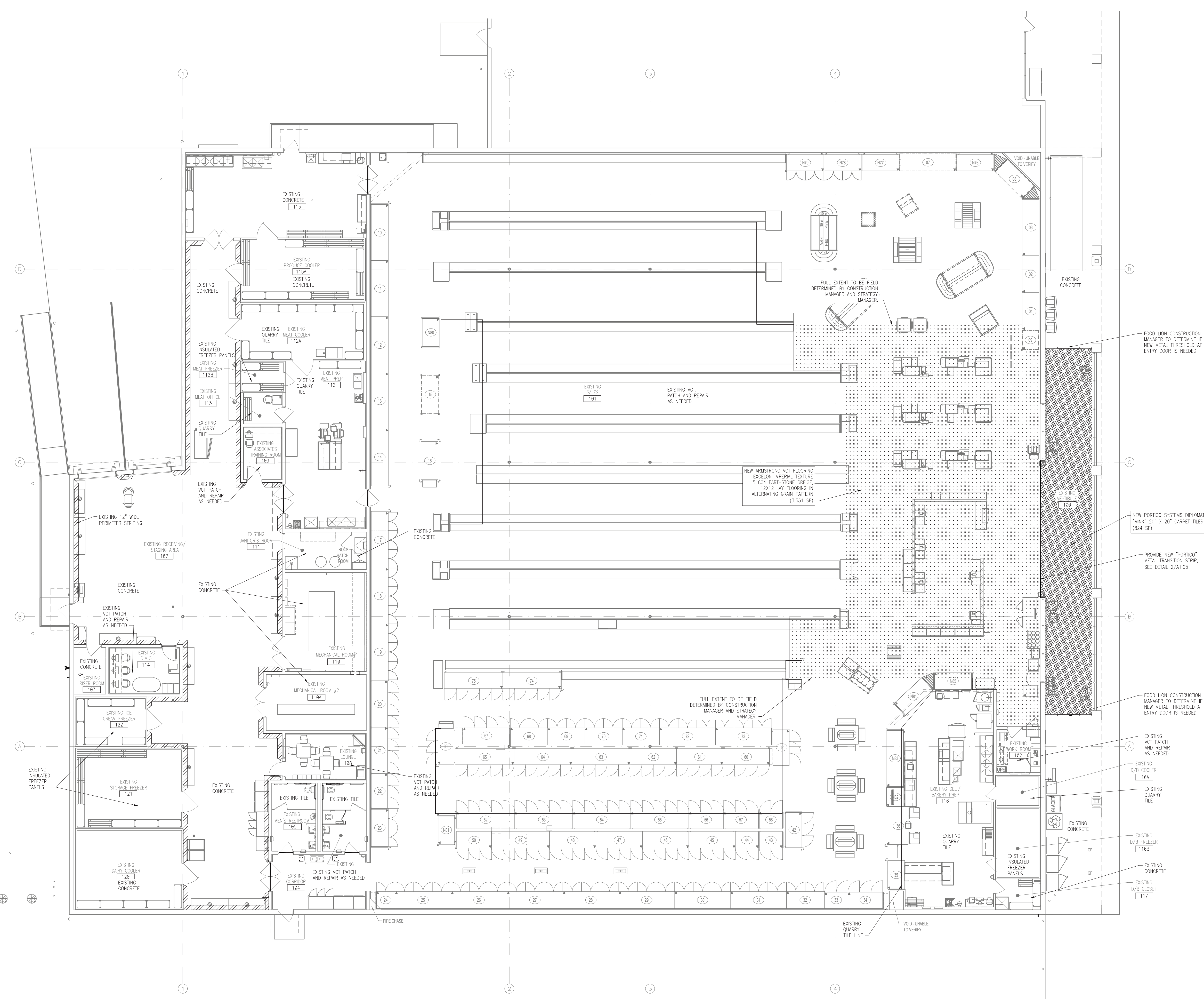
REFER TO SPECIFIC AREA NOTE FOR DIRECT FLOORING INFORMATION

- NEW PERIMETER/FULL VCT FLOORING
- NEW CARPET TILES
- 12" WIDE PAINTED RAT STRIPE



2 CARPET TRANSITION DETAIL
A1.05 SCALE: NTS

1 FINISH FLOOR PLAN
A1.05 SCALE: 3/32" = 1'-0"



1 FINISH FLOOR PLAN
A1.05 SCALE: 3/32" = 1'-0"



ARCHITECTS SEAL:

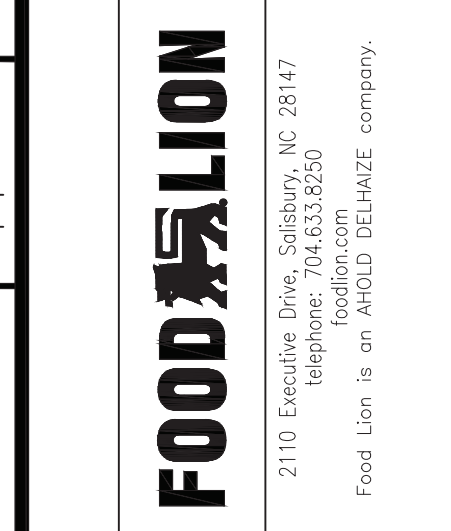


CORPORATE SEAL:



ENGINEER'S SEAL:

NO	DATE	REMARKS



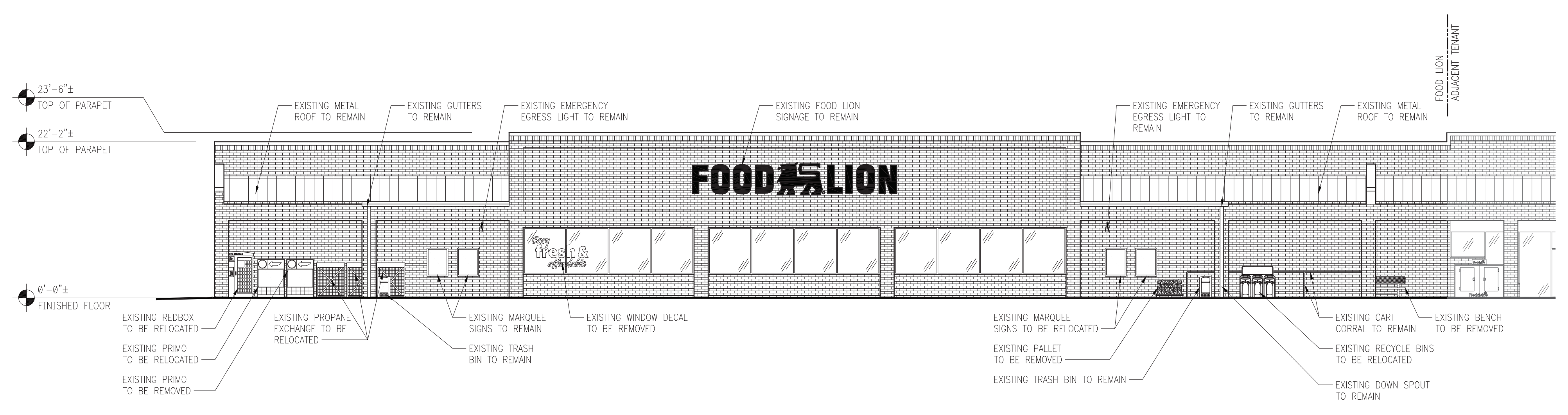
**FOOD LION
REMODEL
STORE #1237**
133 MITTIE HADDOCK DRIVE
CAMERON, NC, 28326

PROJECT NO: 2023.0026
DATE: 09/06/23

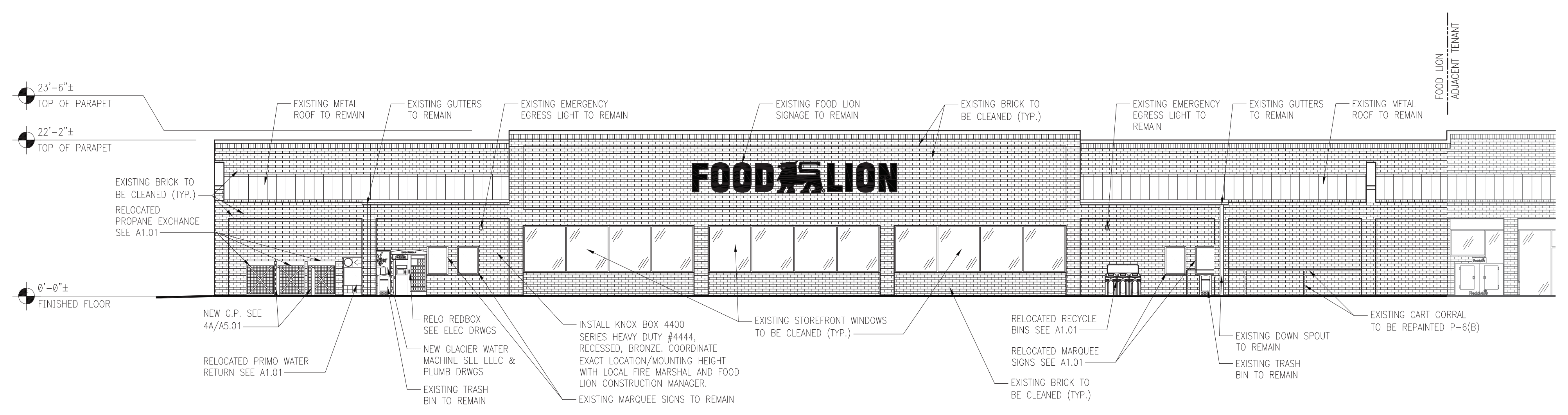
**13 OF 43
A2.01**
EXTERIOR ELEVATIONS

CHECKED: EC DRAWN: WC

COPYRIGHT © 2023 INTERPLAN PLLC. ALL RIGHTS RESERVED. REPRODUCTION OF THESE DOCUMENTS FOR ANY PURPOSE OTHER THAN THAT AUTHORIZED BY INTERPLAN PLLC IS STRICTLY PROHIBITED. CHANGES OR ASSIGNMENTS ARE PROHIBITED.



1 EXISTING FRONT ELEVATION - DEMOLITION
A2.01 SCALE: 3/32" = 1'-0"



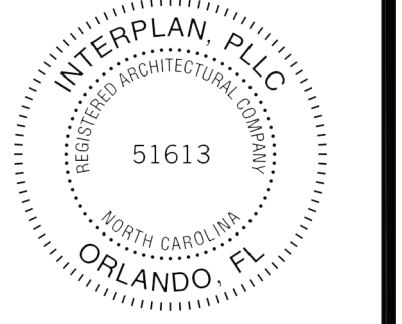
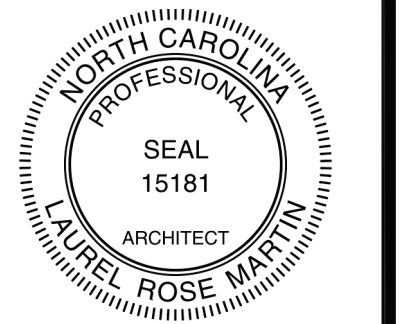
2 REVISED FRONT ELEVATION
A2.01 SCALE: 3/32" = 1'-0"

COLOR MATERIAL LEGEND:

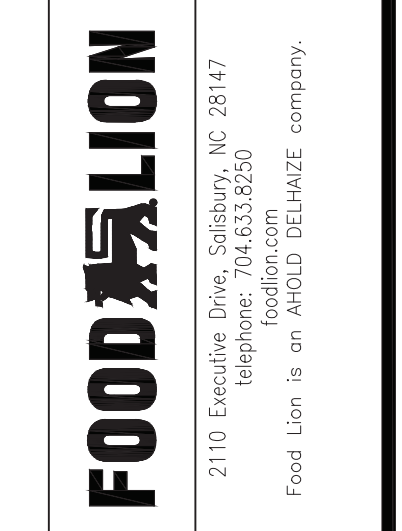
P-6 (B)	PAINT "GRIZZLE" GRAY SW7068
P-9	PAINT "POPULAR GRAY" SW6071
P-10	PAINT "TONEY TAUPE" SW7038
P-12	PAINT "TRAFFIC YELLOW"

GENERAL NOTES:

- THE DOOR PACKAGES SHALL BE EQUIPPED WITH EMERGENCY BREAKAWAY PROVISIONS. INCLUDE BREAKAWAY SIDE LIGHTS ONLY WHEN NOTED.
- THE GLASS FOR ALL OF THE DOOR PACKAGES SHALL BE 1/4" TINTED SAFETY GLASS.
- ALL PAINT COLORS AND FINISH MATERIALS SHALL BE VERIFIED BY THE FOOD LION CONSTRUCTION MANAGER PRIOR TO ORDERING. FAILURE TO VERIFY PRIOR TO ORDERING WILL RESULT IN GC'S OWNING OF THE REPAINTING COSTS.
- IF APPLICABLE, THE GENERAL CONTRACTOR SHALL SUPPLY ALL OF THE BLOCKING NECESSARY FOR MOUNTING ALL SIGNS TO THE CANOPY AND SHALL PROVIDE A WALKWAY TO SIGN MOUNTING AREA.
- GENERAL CONTRACTOR IS TO PROVIDE AND INSTALL A TEMPORARY FENCE AREA FOR STAGING AND STORAGE. THIS WILL BE A ANCHORED CHAIN LINK TYPE FENCE APPROX 8' TALL AND WRAPPED WITH FENCE FABRIC USING SANDBAGS FOR ANCHORING. GC IS TO PROVIDE AMPLE LIGHTING FOR THIS AREA. LOCATION IS TO BE IN THE FRONT PARKING LOT OR REAR OF THE STORE. (COORDINATE WITH FOOD LION CONSTRUCTION MANAGER) THIS AREA IS TO BE USED FOR JOB TRAILERS, MATERIALS, LIFTS AND OTHER CONSTRUCTION NEEDS. GC IS TO REPAIR ALL DAMAGE PRIOR TO LEAVING THE JOB.
- GENERAL CONTRACTOR IS RESPONSIBLE FOR HANGING REMODEL BANNERS SUPPLIED BY THE MARKET RENEWAL SPECIALIST. ALL EXTERIOR BANNERS ARE TO BE MOUNTED ON THE STOREFRONT MASONRY WITH 1"x4" TREATED WOOD FRAMED OUT. AT THE END OF THE REMODEL, THE GENERAL CONTRACTOR NEEDS TO REMOVE THE BANNERS AND DELIVER THEM TO THE CONSTRUCTION MANAGER.
- GENERAL CONTRACTOR IS TO REPLACE MISSING OR DAMAGED WEATHER-STRIPPING, SWEEPS AND NEW STYLE CARPET THRESHOLDS ON ALL EXTERIOR DOORS. (THIS INCLUDES AUTOMATIC DOORS.)
- ANTI-RODENT COATING - APPLY (1) ONE COAT OF SHERWIN WILLIAMS FT910 SURFACING COMPOUND (PRIMER) AND (2) COATS OF ACROLON100 URETHANE (FINISH COAT). COLOR TO MATCH EXISTING EXTERIOR COLOR. APPLY BELOW DOCK DOORS DOWN TO GRADE, THE WIDTH OF DOCK SHELTER
- REPLACE ALL INFORMATIONAL AND REGULATORY SIGNS (NO PARKING, FIRE LANE, ETC.) WITH NEW SIGNS. SIGNS SHALL MEET LOCAL CODES AND ORDINANCES. VERIFY FINAL LOCATIONS WITH FOOD LION CONSTRUCTION MANAGER PRIOR TO INSTALLATION.
- GC SHALL SEAL ALL HOLES LEFT FROM REMOVAL OF EXISTING SIGNAGE TO BE WATERTIGHT W/ LIKE MATERIALS OR MATCHING SEALANT. CLEAN/REPAIR SURFACE TO REMOVE ALL "GHOSTING" LEFT FROM REMOVAL OF SIGN.
- GENERAL CONTRACTOR SHALL SAND AND REPAINT ANY NEW & EXISTING EXTERIOR GUARDPOSTS WITH "TRAFFIC YELLOW" PAINT.
- GENERAL CONTRACTOR SHALL SAND AND CLEAN ALL EXTERIOR METAL INCLUDING BUT NOT LIMITED TO STAIRS, CANOPY SUPPORTS, DOORS AND FRAMES, CART CORRALS, GUARD POSTS, ROOFTOP STEEL, ETC. BEFORE REPAINTING (MIN. OF 2 COATS) COORDINATE WITH FOOD LION CONSTRUCTION MANAGER.
- ANY ROOF WORK SHALL BE DONE BY THE LANDLORD'S APPROVED ROOFING CONTRACTOR
- ALL UTILITIES TO BE CONCEALED/RECESSED IN EXISTING WALLS



NO	DATE	REMARKS

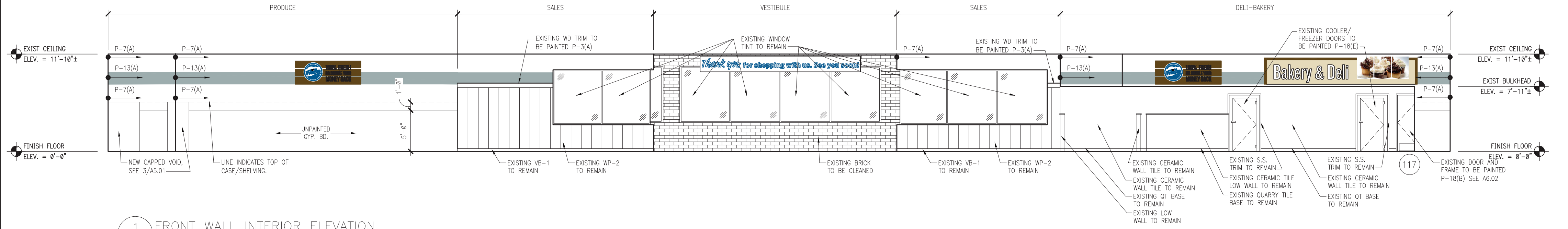


FOOD LION
REMODEL
STORE #1237
133 MITTIE HADDOCK DRIVE
CAMERON, NC, 28326

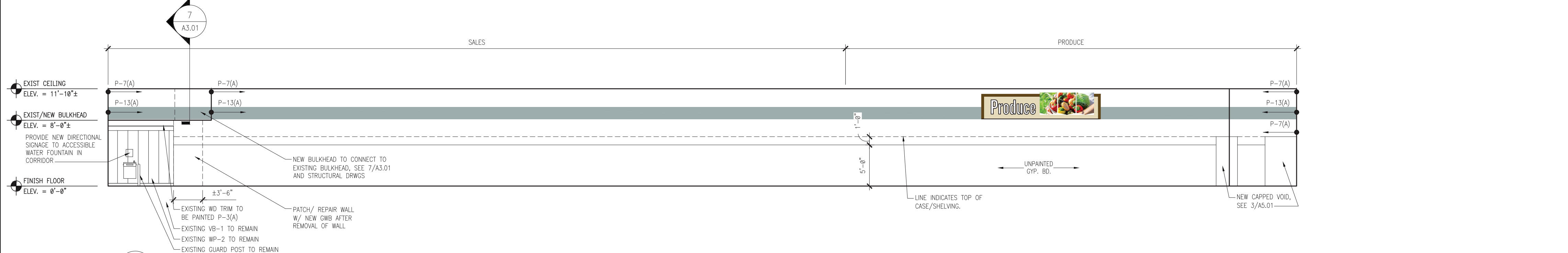
PROJECT NO: 2023.0026
DATE: 09/06/23

14 OF 43
A2.02
INTERIOR ELEVATIONS

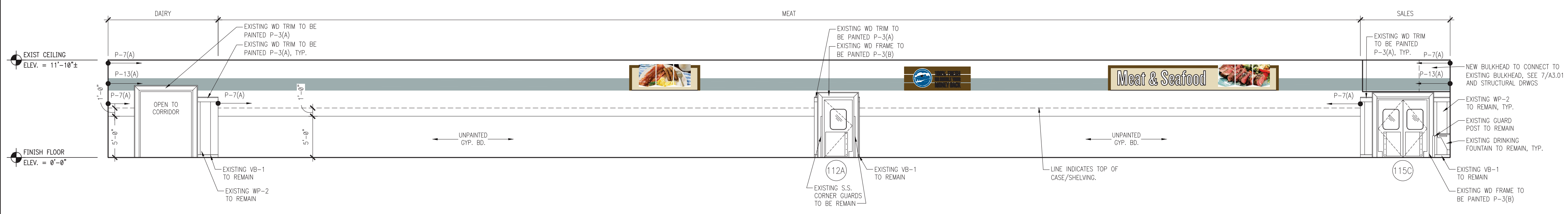
COPYRIGHT © 2023 INTERPLAN PLLC. ALL RIGHTS RESERVED. REPRODUCTION, REUSE, OR DISTRIBUTION OF THESE DOCUMENTS FOR ANY PURPOSE OTHER THAN THAT AUTHORIZED BY INTERPLAN PLLC IS STRICTLY PROHIBITED. CHANGES OR ASSIGNMENTS ARE PROHIBITED.



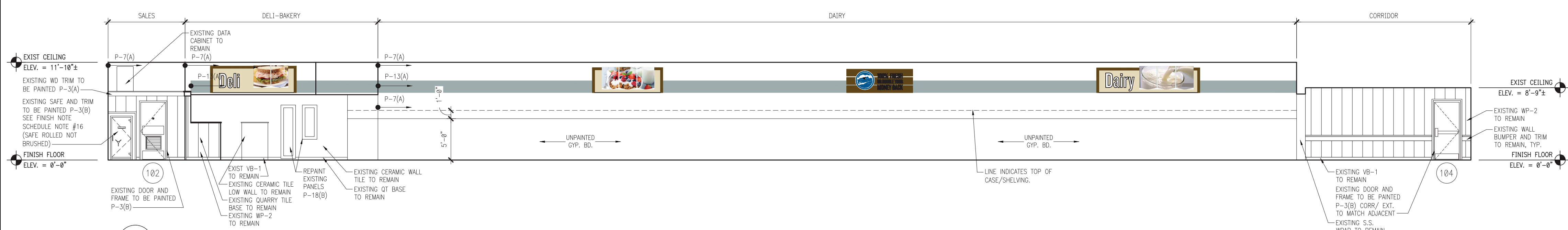
1 FRONT WALL INTERIOR ELEVATION
A2.02 SCALE: 1/8" = 1'-0"



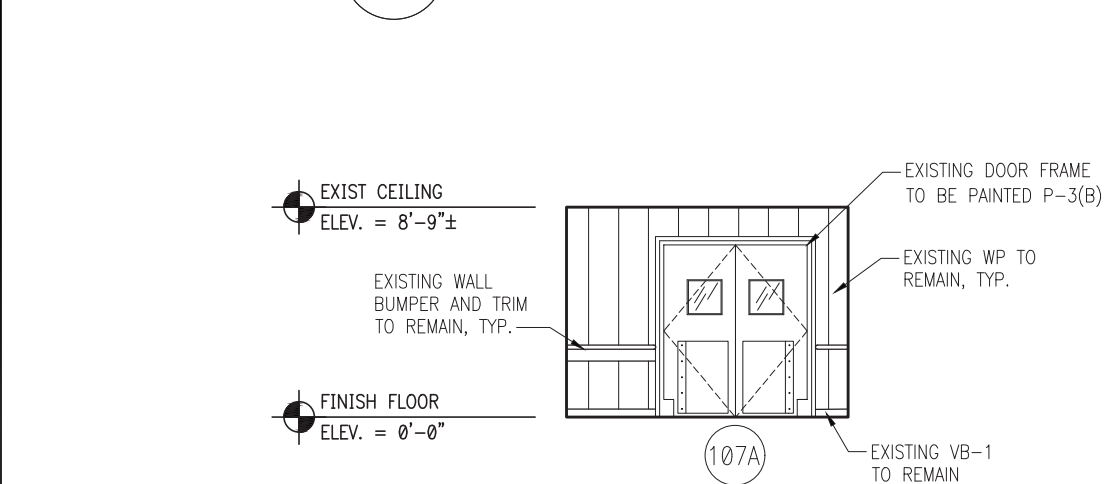
2 RIGHT WALL INTERIOR ELEVATION
A2.02 SCALE: 1/8" = 1'-0"



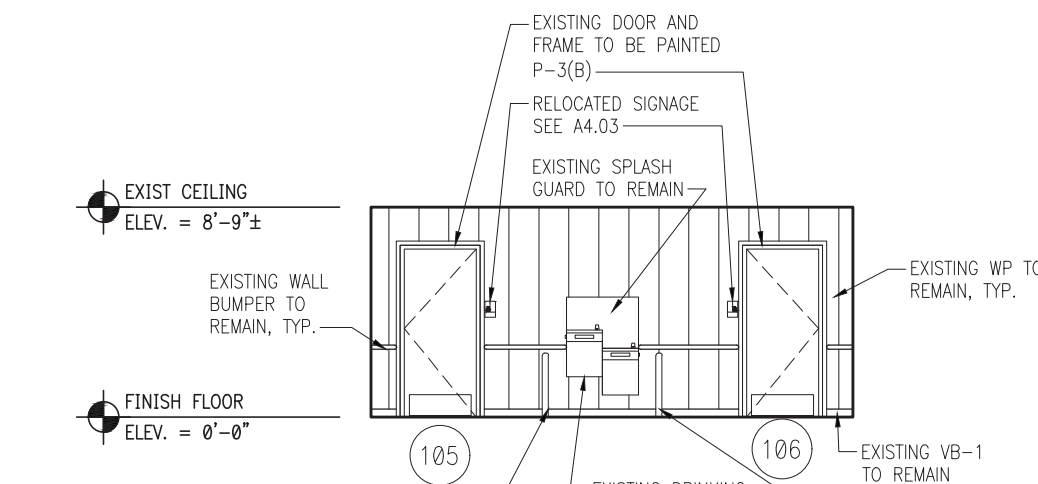
3 REAR WALL INTERIOR ELEVATION
A2.02 SCALE: 1/8" = 1'-0"



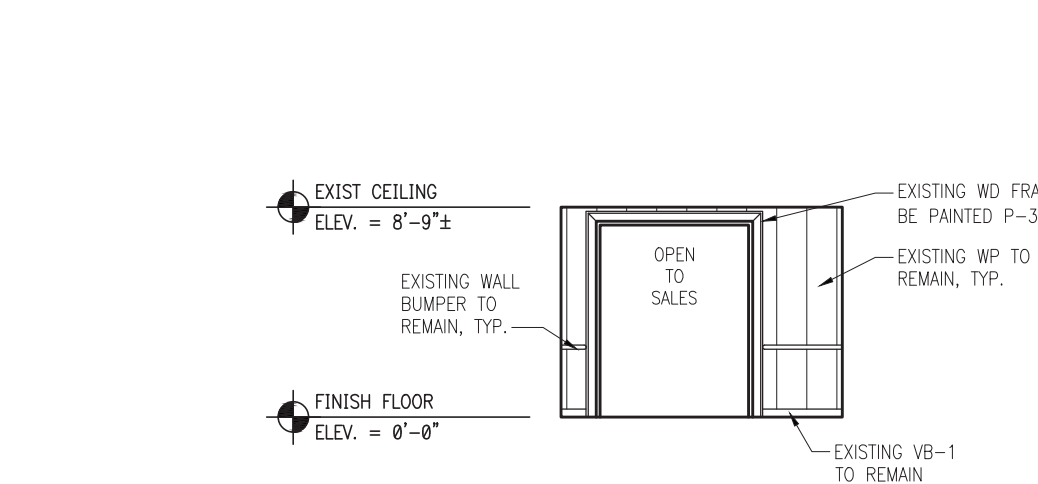
4 LEFT WALL INTERIOR ELEVATION
A2.02 SCALE: 1/8" = 1'-0"



5 CORRIDOR INTERIOR ELEVATION
A2.02 SCALE: 1/8" = 1'-0"

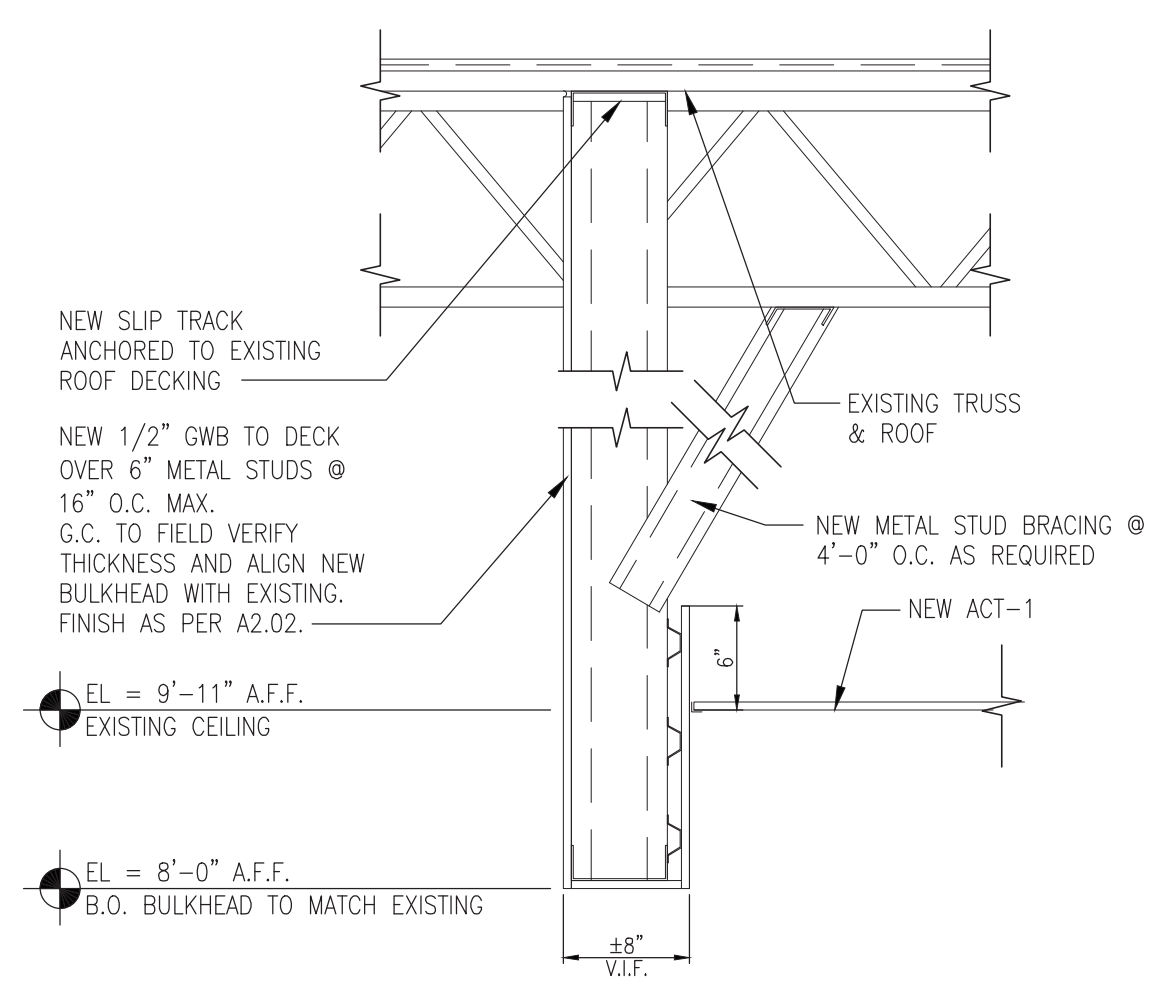
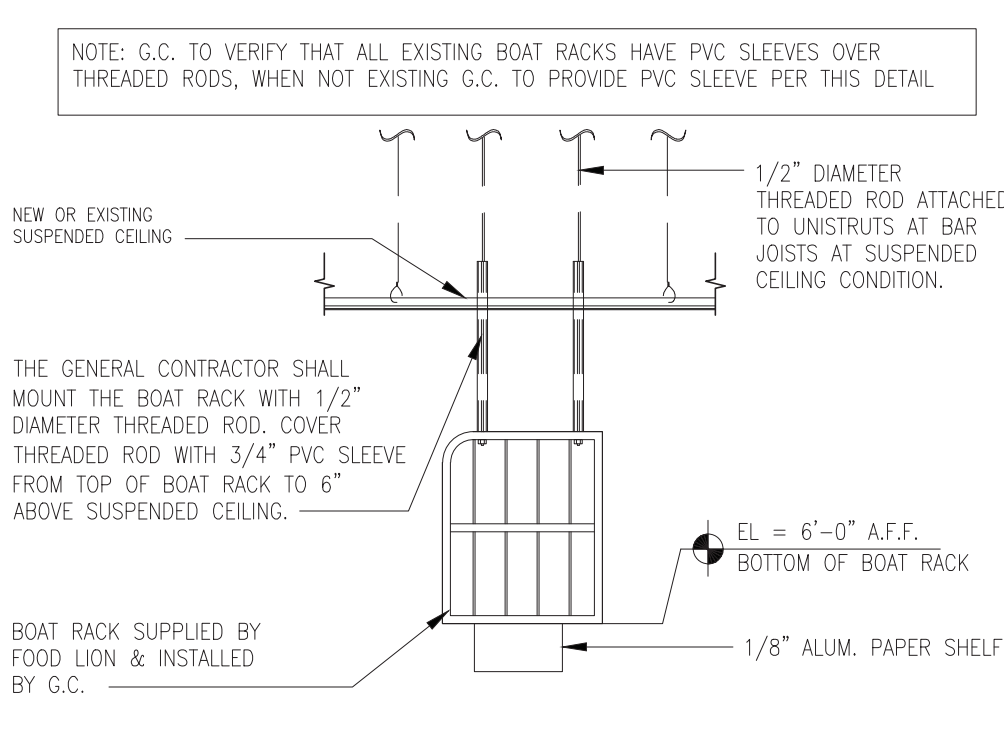
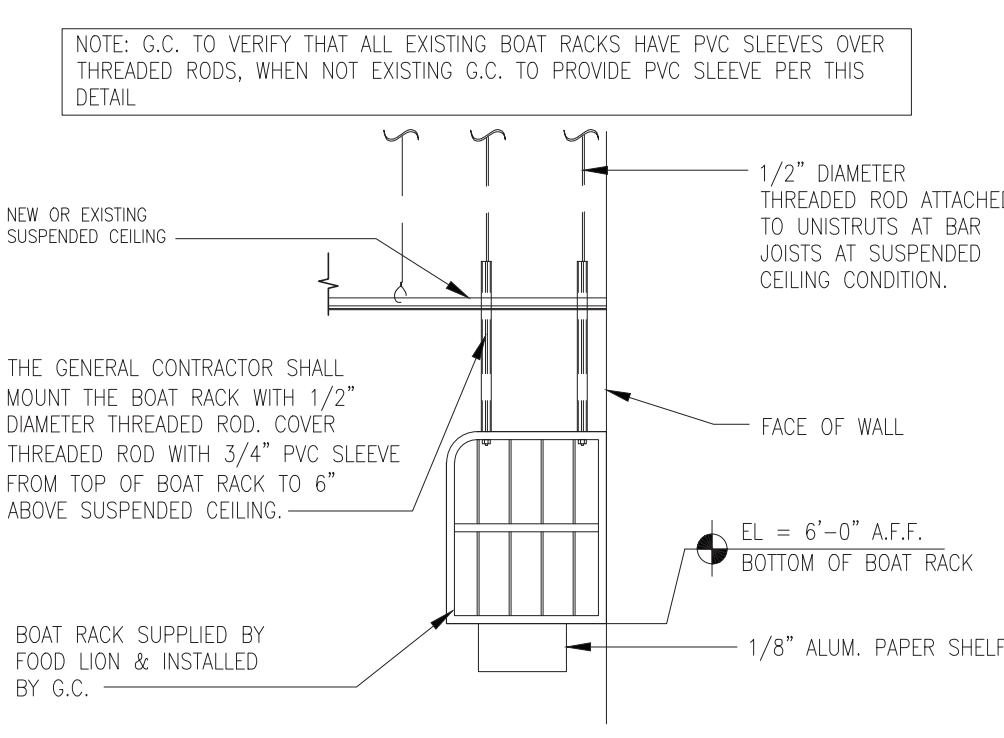
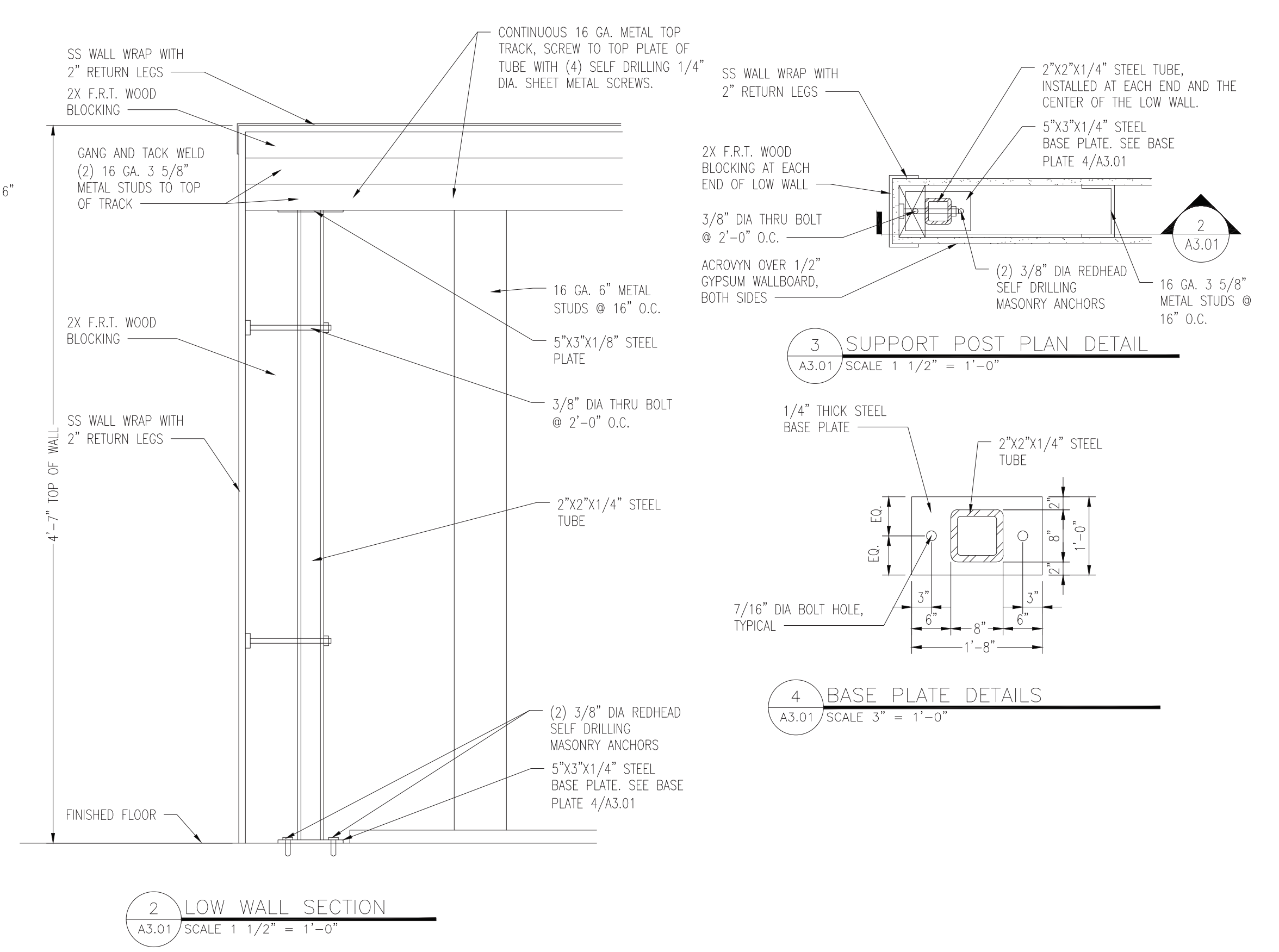
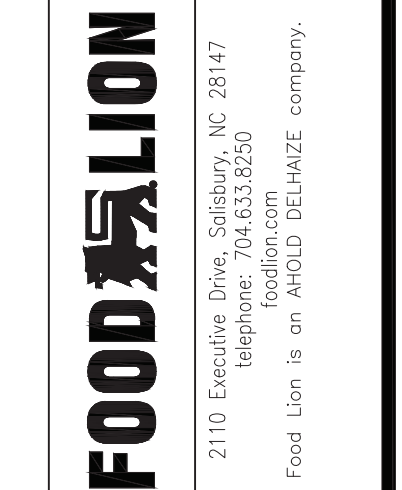
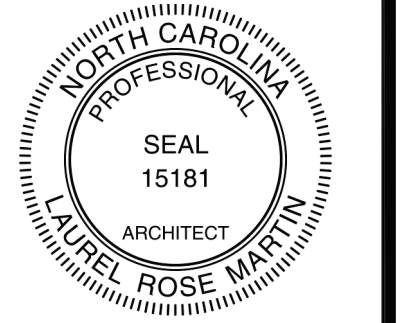


6 CORRIDOR INTERIOR ELEVATION
A2.02 SCALE: 1/8" = 1'-0"



7 CORRIDOR INTERIOR ELEVATION
A2.02 SCALE: 1/8" = 1'-0"

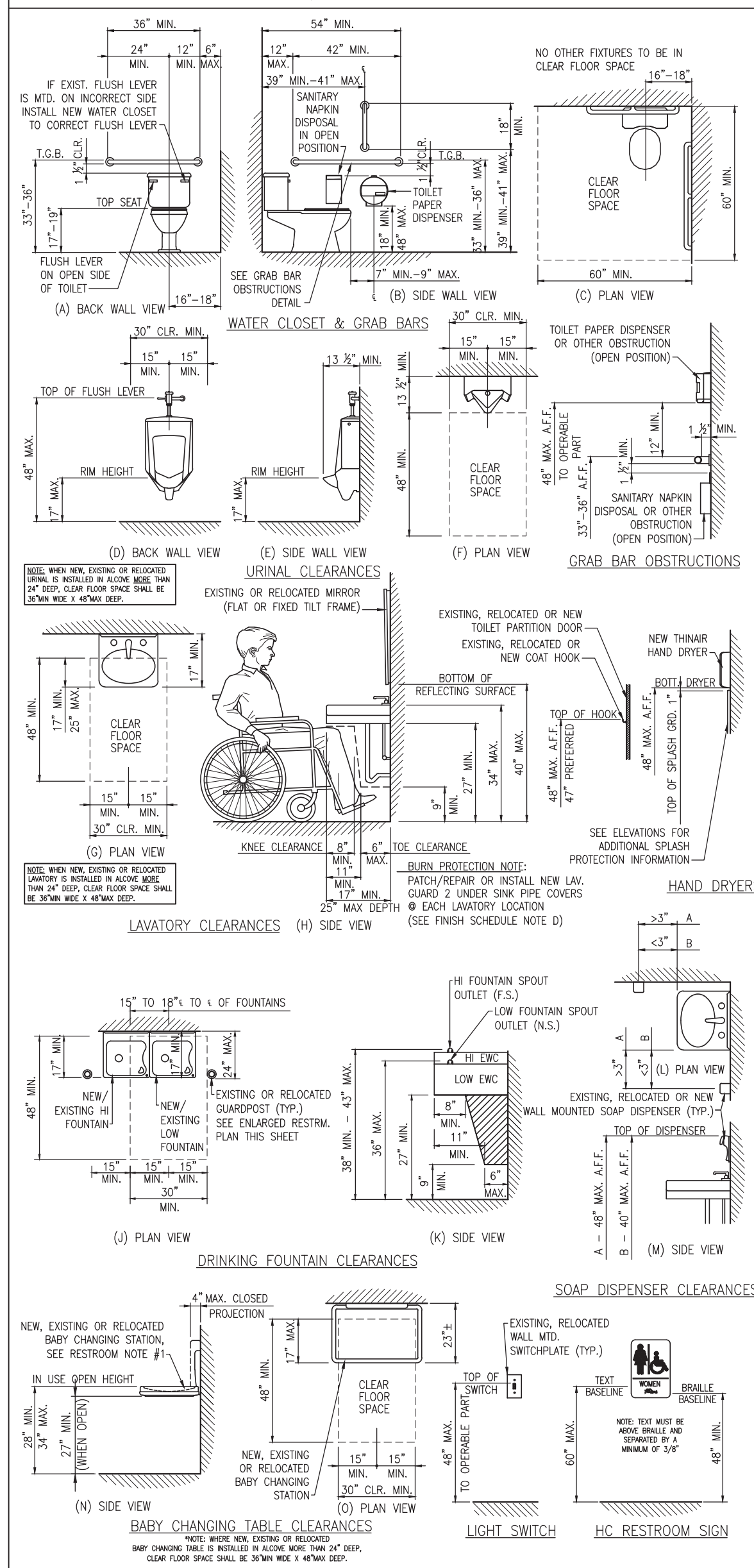
- GENERAL NOTES:**
- GENERAL CONTRACTOR SHALL INSTALL CONTROL JOINTS IN NEW GYPSUM BOARD WALL FINISH IN SALES AREA AS INDICATED OR AS REQUIRED BY GWB MANUFACTURER. AT A MINIMUM, JOINTS SHALL BE 36" ON C.C. PROVIDE SLIP JOINTS AT CHANGES IN STRUCTURAL SUPPORT.
 - ACCESSIBLE SIGNAGE SHALL BE PROVIDED BY GC FOR THIS PROJECT TO IDENTIFY THE ACCESSIBLE ELEMENTS IN ACCORDANCE WITH ICC/ANSI A117.1 - 2009 CHAPTER 7.
 - ALL PAINT COLORS AND FINISH MATERIALS SHALL BE VERIFIED BY THE CONSTRUCTION MANAGER PRIOR TO ORDERING. IF THIS IS NOT DONE, THE REPAINTING COST WILL BE THE GENERAL CONTRACTORS RESPONSIBILITY.
 - GC TO RELOCATE ALL EXISTING EXPOSED CONDUITS ON WALL SURFACES ON FRONT WALL OF SALES AREA. RELOCATED CONDUITS TO BE PLACED IN FURRING SPACE BEHIND GWB. PATCH AND REPAIR GWB AS NECESSARY.
 - ALL EXISTING WALL PANELING (MARLITE) IN CUSTOMER FACING AREAS IS TO BE REMOVED AND REPLACED WITH NEW WALL COVERING.
 - ALL EXISTING WOOD TRIM NOT SHOWN IS TO BE REMOVED, VERIFY WITH THE FOOD LION CONSTRUCTION MANAGER.
 - REFER TO SHEET A6.01 FOR FINISH MATERIAL/ COLOR LEGEND.
 - REFER TO SHEET A1.04 FOR CEILING, SOFFIT & STRUCTURE PAINT INFORMATION.
 - DO NOT PAINT EXISTING POLISHED ALUMINUM TRIM.
 - REMOVE AND REINSTALL EXISTING POLISHED ALUMINUM CORNER GUARDS AND WALL MOUNTED TRIM AS REQUIRED TO INSTALL NEW FINISHES, TYP.
 - ALL NEW WALL TILE SHALL RECEIVE SCHLUTER QUADCEC 1/4" SQUARE EDGE CORNER GUARD ON ALL OUTSIDE CORNERS UNLESS MATCHING EXISTING. APPLY STAINLESS CORNER GUARD TO EXPOSED CORNERS UP TO 4' A.F.F.
 - REMOVE EXISTING DECOR/SIGNAGE. PATCH/ REPAIR GYPSUM WALL BOARD AND PREP FOR NEW FINISHES.



COPYRIGHT © 2023 INTERPLAN PLLC. ALL RIGHTS RESERVED. RESTRICTING THESE DOCUMENTS TO THE ORIGINAL SITE OR PURPOSE FOR WHICH THEY WERE PREPARED. REPRODUCTIONS, CHANGES OR ASSIGNMENTS ARE PROHIBITED.

TYPICAL ACCESSIBILITY DETAILS

REFER TO PLANS AND ELEVATIONS FOR SPECIFIC ACCESSIBLE LOCATIONS. ALL NEW/EXISTING/RELOCATED PLUMBING FIXTURES, GRAB BARS AND ACCESSORIES INTENDED FOR ACCESSIBLE USE SHALL BE INSTALLED/REINSTALLED FOR CLEARANCES AND MOUNTING HEIGHTS INDICATED IN THESE TYPICAL ACCESSIBILITY DETAILS. ANY CLEARANCES OR MOUNTING HEIGHTS NOT SHOWN IN THE TYPICAL ACCESSIBILITY DETAILS SHALL BE INSTALLED/REINSTALLED FOR THE RESTROOM ELEVATIONS SHOWN ON THIS SHEET.



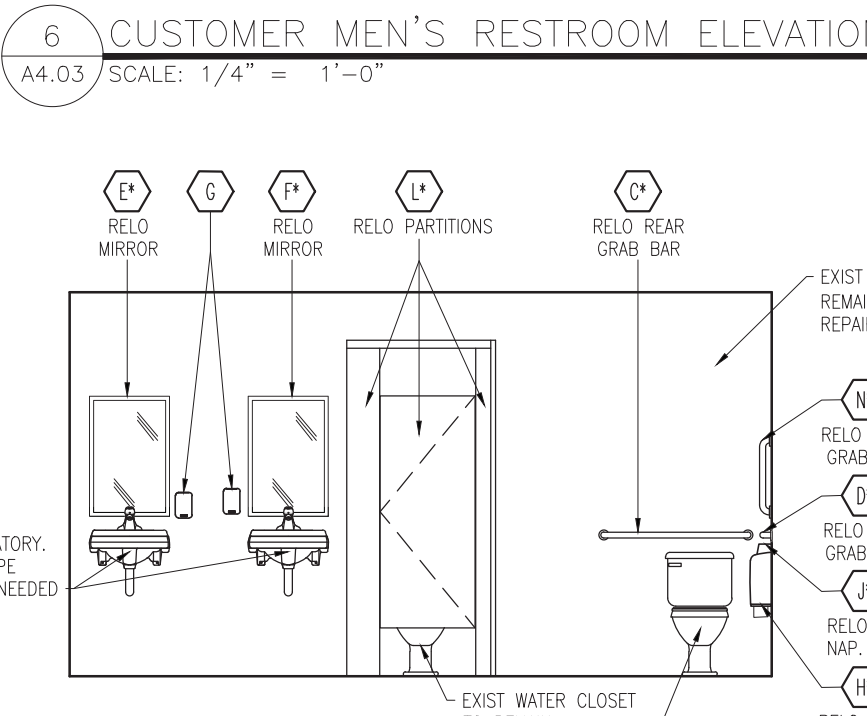
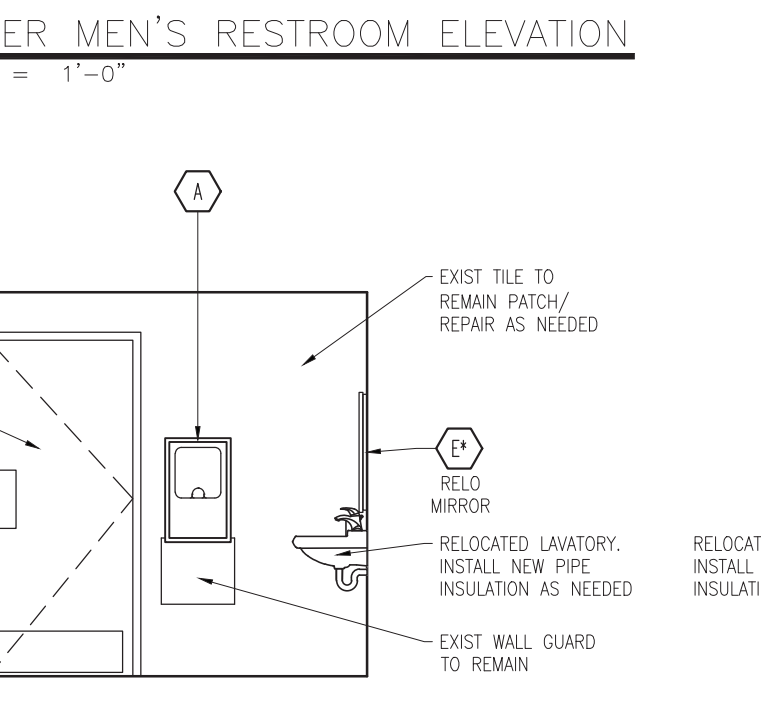
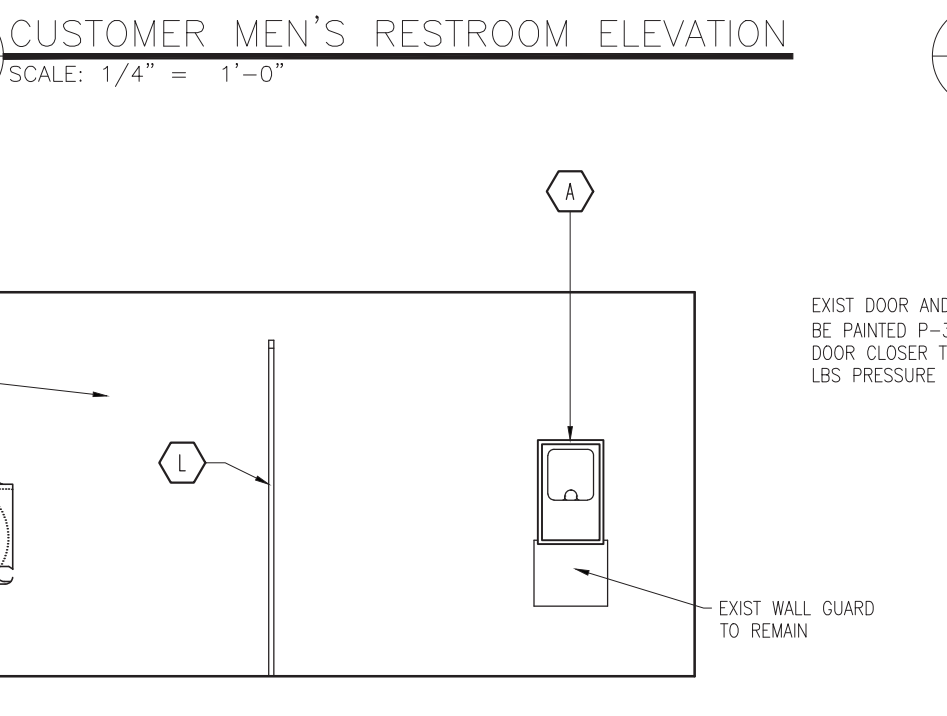
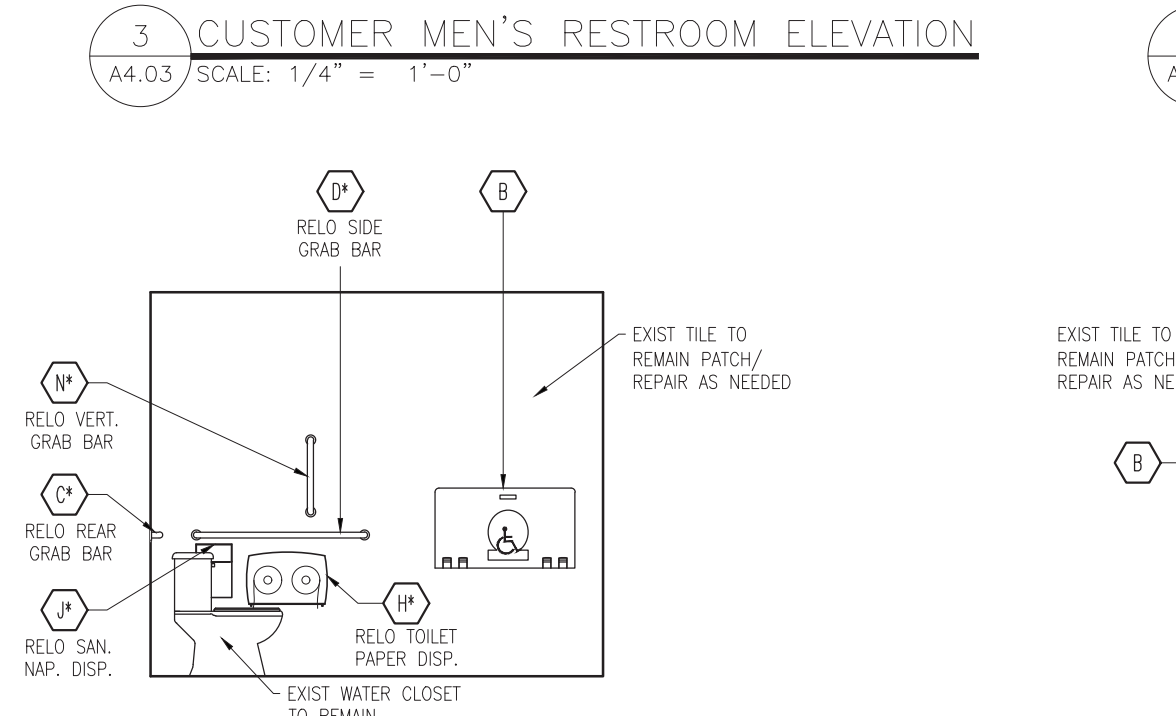
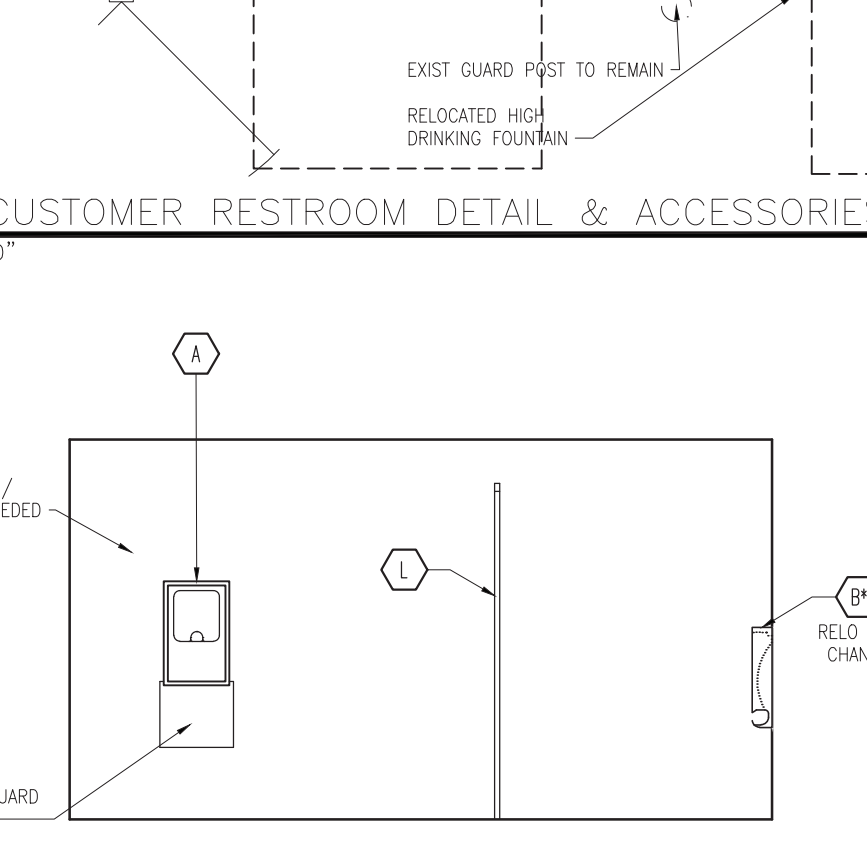
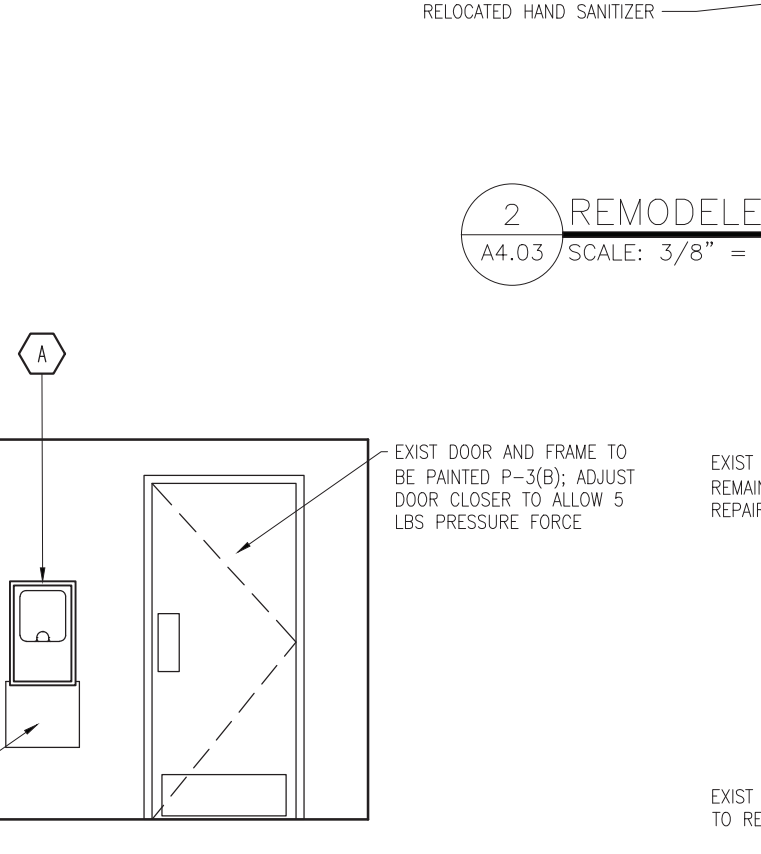
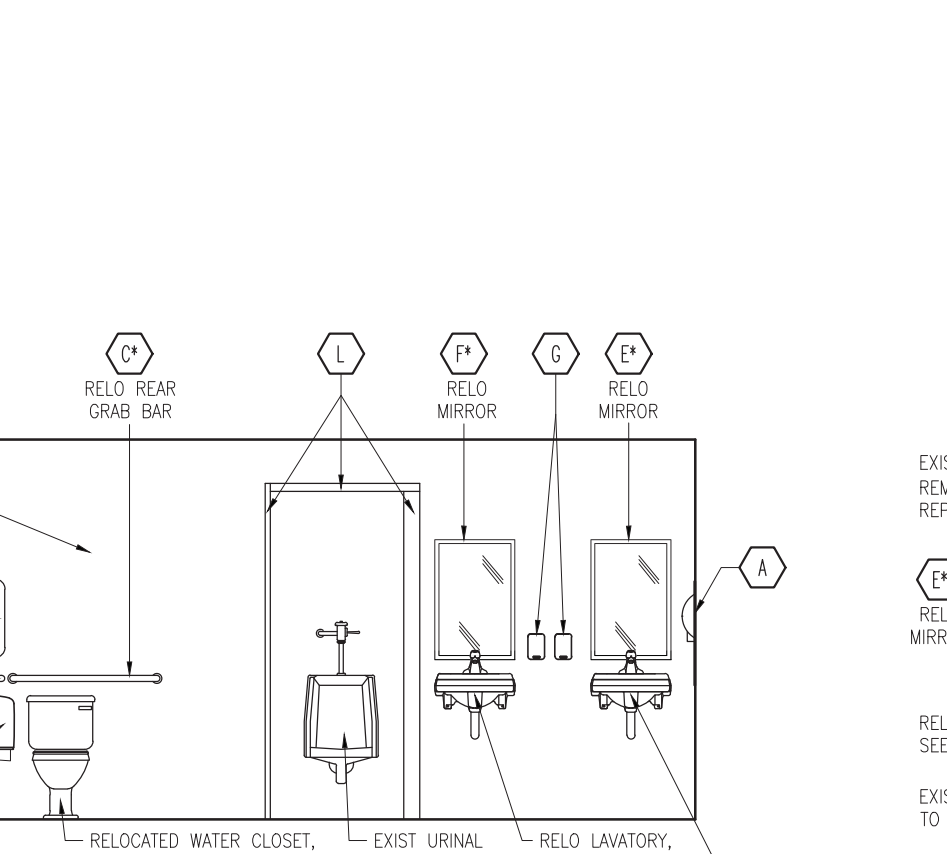
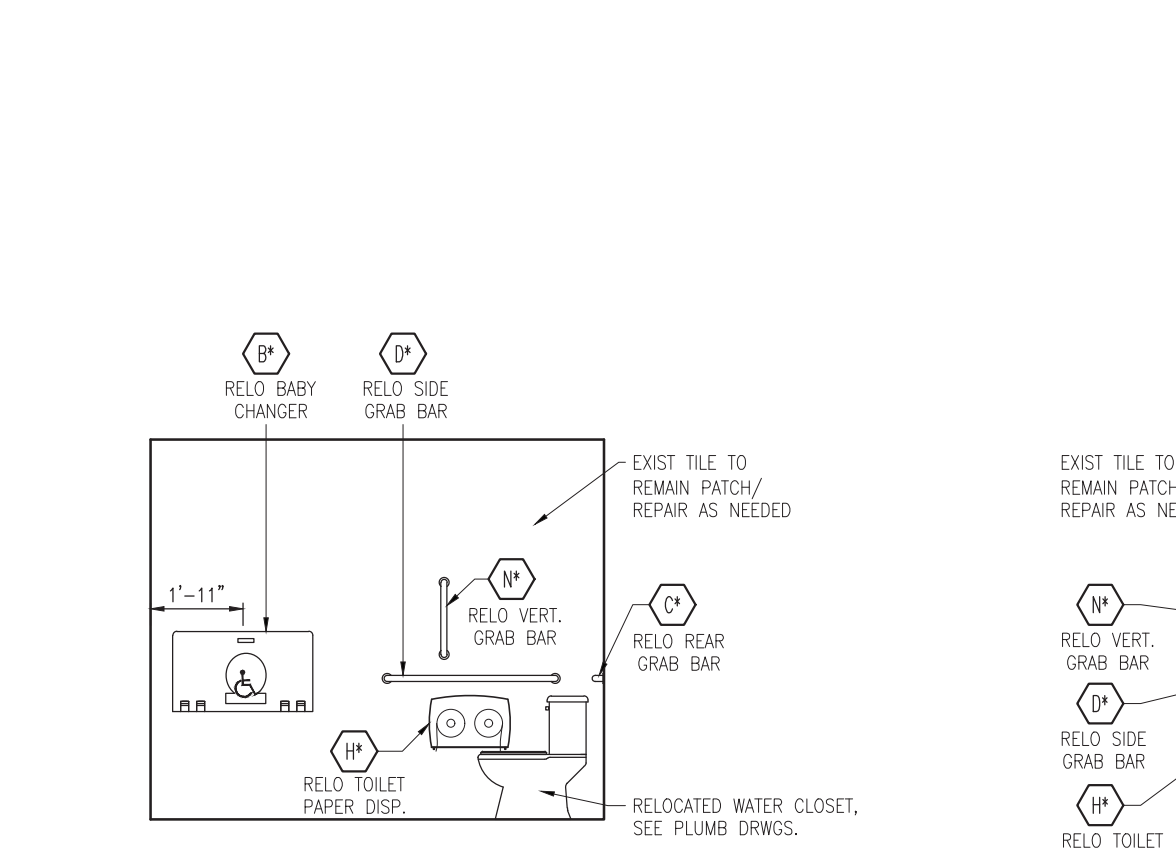
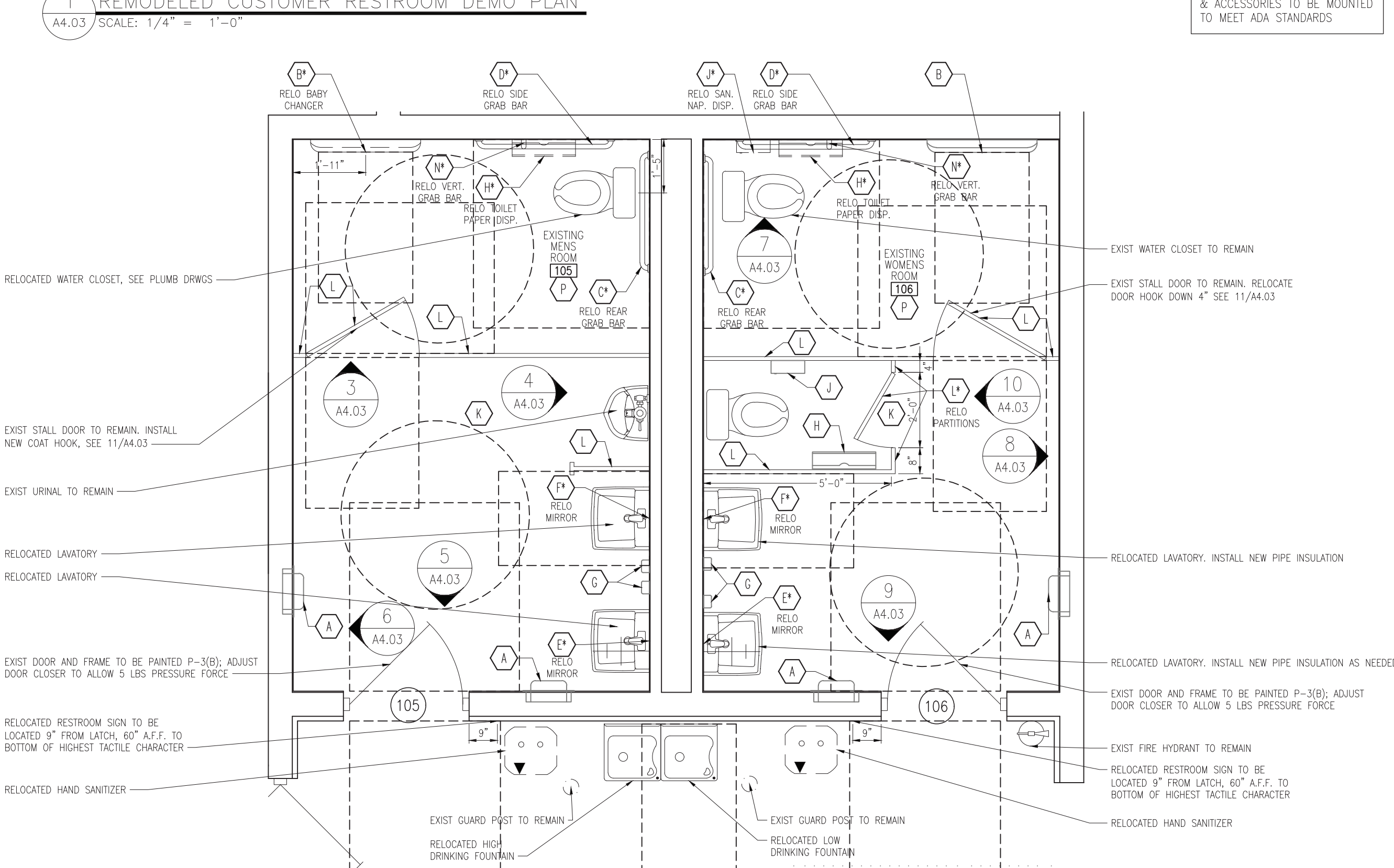
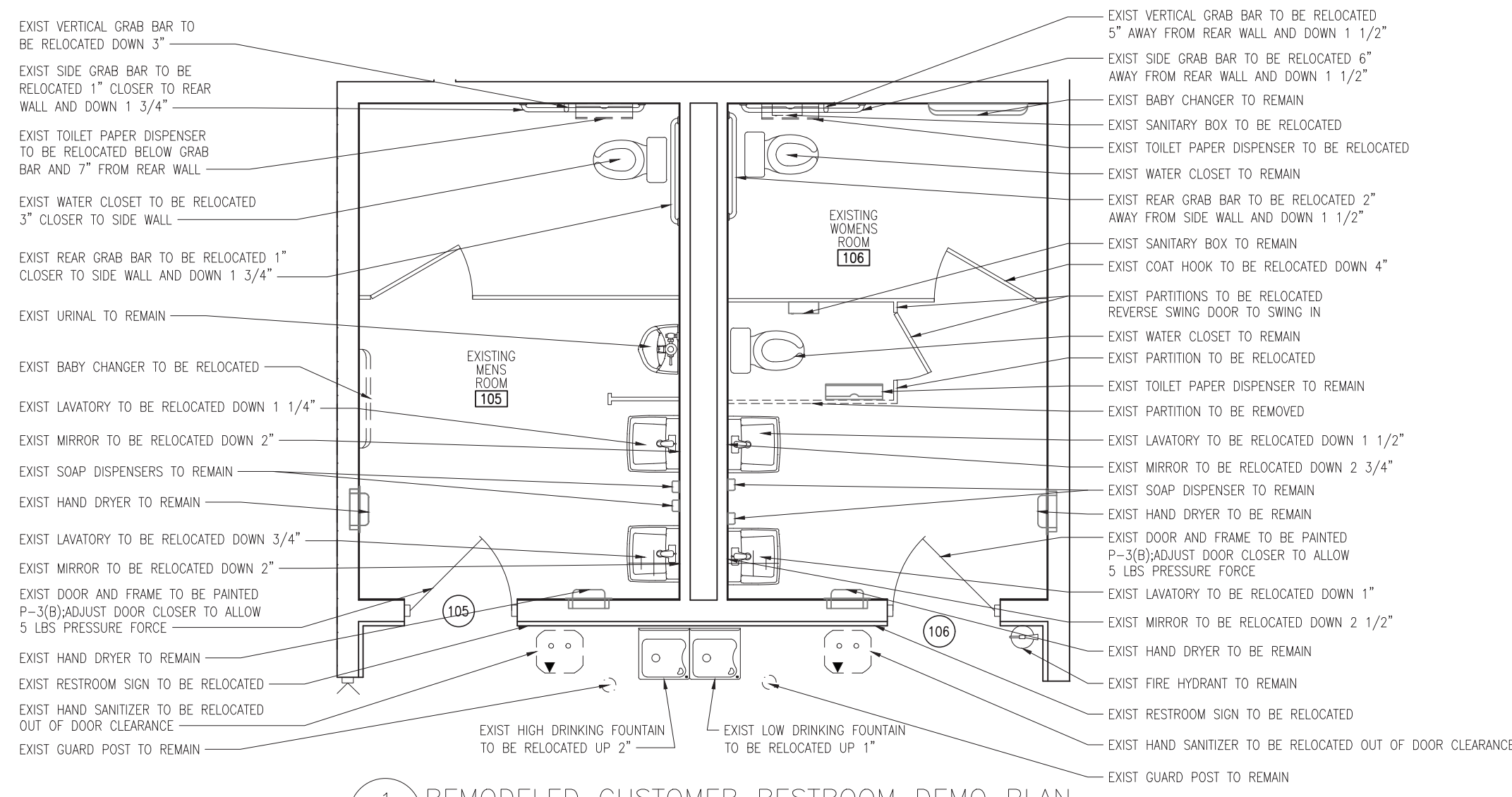
RESTROOM GENERAL NOTES:

1. THE CHANGING TABLE SHALL BE MOUNTED IN ACCORDANCE WITH THE MANUFACTURER'S INSTALLATION MANUAL. ALL BUILDING CODES, REGULATIONS AND ORDINANCES RELATING TO CLEARANCE AND A.D.A. REGULATIONS.
2. CHANGING TABLE MANUFACTURED BY: SAFESTRAP COMPANY, INC. 105 WEST DEWEY AVENUE, BUILDING D SUITE 410, WHARTON, NJ 07885 CONTACT: TOLL FREE 1-800-356-7796 TOASTER-DEPOT BASIC BABY CHANGING STATION MODEL #2301, COLOR: POWDER GRAY. PHONE (973) 442-4623
3. HAND DRYER ORDERING INFORMATION ORDER FROM: GEORGE SCOTT ASSOCIATES CONTACT: CURTIS SCOTT (704) 376-4775. ORDER-RECESSED KIT-FOR-MODIFICATION
4. MIRRORS BY: BOBRICK WASHROOM EQUIPMENT INC. - SEE SPECIFICATIONS
5. NEW TOILET FIXTURES & SINKS TO BE "WHITE" COLORED
6. EACH TOILET PARTITION DOOR SHALL RECEIVE 2 COAT HOOKS, ONE HOOK SHALL BE MOUNTED @ 47" A.F.F. AND THE OTHER @ 59" A.F.F. TO BE THROUGH BOLTED.
7. EACH TOILET PARTITION DOOR SHALL HAVE A PULL HANDLE MOUNTED ON BOTH SIDES OF THE DOOR @ 42" A.F.F. HANDLE TO PROVIDE 1 1/2" CLEARANCE.
8. CAULK FIXTURES IN RESTROOMS.
9. ANY WORK IN RESTROOMS TO BE SCHEDULED TO ALLOW FOR AT LEAST ONE OPEN AT ALL TIMES. COORDINATE WITH FOOD LION CONSTRUCTION MANAGER.
10. REMOVE EXISTING SANITARY NAPKIN DISPENSER FROM WOMEN'S RESTROOM. REINSTALL AFTER NEW TILE WORK IS COMPLETE.
11. TOILET PAPER DISPENSER TO BE MOUNTED 7-9" FROM THE FRONT OF THE WATER CLOSET AND BELOW THE GRAB BAR AS PER ACCESSIBILITY DETAILS THIS SHEET.
12. EXISTING FIXTURES AND TOILET ACCESSORIES REMOVED FOR INSTALLATION OF PORCELAIN WALL TILE ARE TO BE INSTALLED PER ADA COMPLIANCE.
13. GRAB BARS SHALL BE MOUNTED TO SUPPORT A FORCE OF 250 LBS. APPLIED @ ANY POINT IN ANY DIRECTION. PROVIDE 1/2" WALL WOOD BLOCKING IN WALL @ NEW TILE OR USE BOBRICK "WING-IT" FASTENERS @ EXISTING TILE.
14. PROVIDE LAVATORIES IN RESTROOMS WITH TRAP AND RISER INSULATION KIT.
15. PROVIDE R-11 BATT SOUND INSULATION IN WALLS AND ABOVE CEILING IN RESTROOMS WHEN WALLS ARE NEW. COORDINATE WITH PARTITION TYPES. INSTALL INSULATION ABOVE CEILING IN EXISTING CONDITIONS, IF NOT EXISTING.

TOILET ACCESSORY LEGEND

STATUS OF ACCESSORIES	TOILET ACCESSORY
EXIST	(A) EXCEL - THIN AIR ELECTRIC HAND DRYER - SURFACE MOUNTED
EXIST/RELO	(B) BABY CHANGING TABLE, SEE NOTE #2
RELO	(C) 36" GRAB BAR
RELO	(D) 42" GRAB BAR
RELO	(E) 18"x30" MIRROR
RELO	(F) 18"x30" TILT MIRROR
EXIST	(G) SOAP DISPENSER (BY ECOLAB)
EXIST/RELO	(H) TOILET PAPER DISPENSER, MOUNT BOTTOM AT +15" A.F.F. MIN.
EXIST/RELO	(I) SANITARY NAPKIN/TAMPON DISPOSAL, MOUNT TOP AT +28" A.F.F.
EXIST	(J) FLOOR DRAIN
EXIST/RELO/NEW	(K) TOILET PARTITIONS, SEE NOTE #1, #2, #3, #6 & #7
RELO	(L) SEHLUTER-QUANED 1/4" SQUARE EDGE CORNER GUARD
RELO	(M) 18" VERTICAL GRAB BAR
RELO	(N) PATCH WALLS AS REQUIRED WHERE DISTURBED BY DEMOLITION.
RELO	(O) EXCEL - STAINLESS-STEEL GUARD 16" x 30"

* ASTERISK INDICATES EXISTING TOILET ACCESSORY TO BE REINSTALLED. CONTRACTOR SHALL COORDINATE WITH FOOD LION CONSTRUCTION MANAGER FOR REMOVAL AND REUSE OF EXISTING TOILET ACCESSORIES.

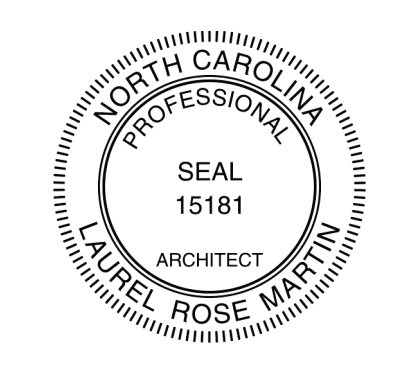


NOTE:
SEE PLAN DETAIL 2/A4.03 & ELEVATIONS FOR LOCATION OF RELOCATED ITEMS. COORDINATE W/ PLUMB. & ELEC. DRWG.

NOTE:
REMOVE AS NECESSARY FIXTURES AND ACCESSORIES FOR NEW FINISH INSTALLATIONS. GO TO STORE FOR REUSE. COORDINATE REUSE OF ITEMS WITH FOOD LION CONSTRUCTION MANAGER.

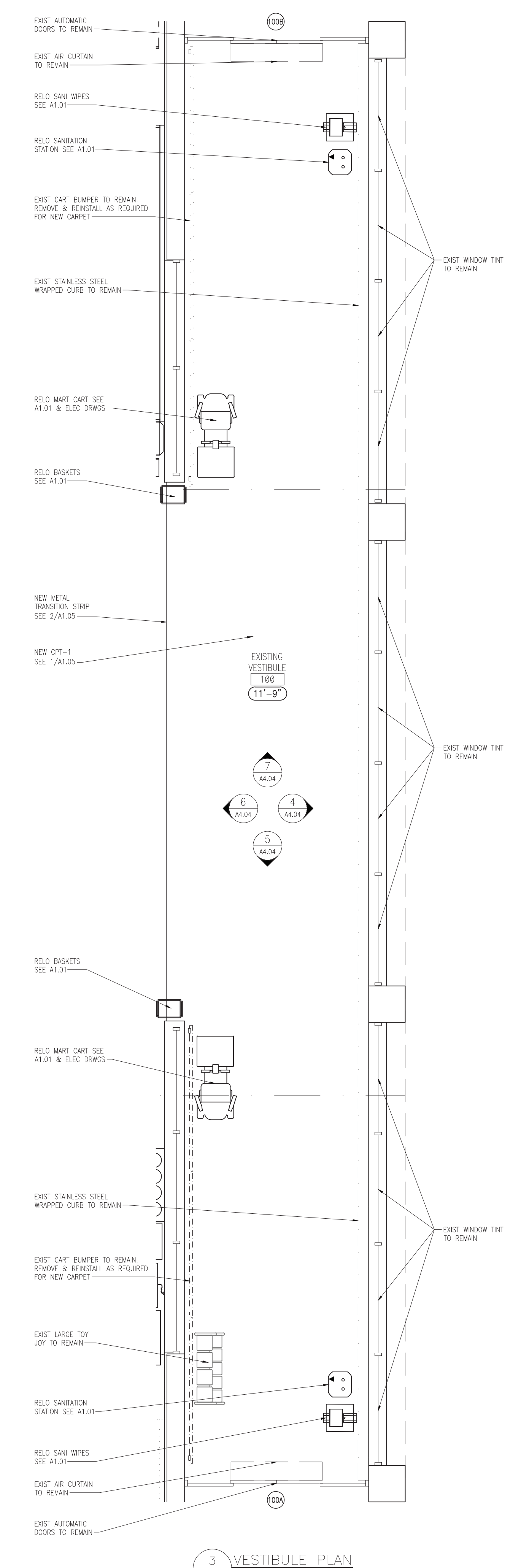
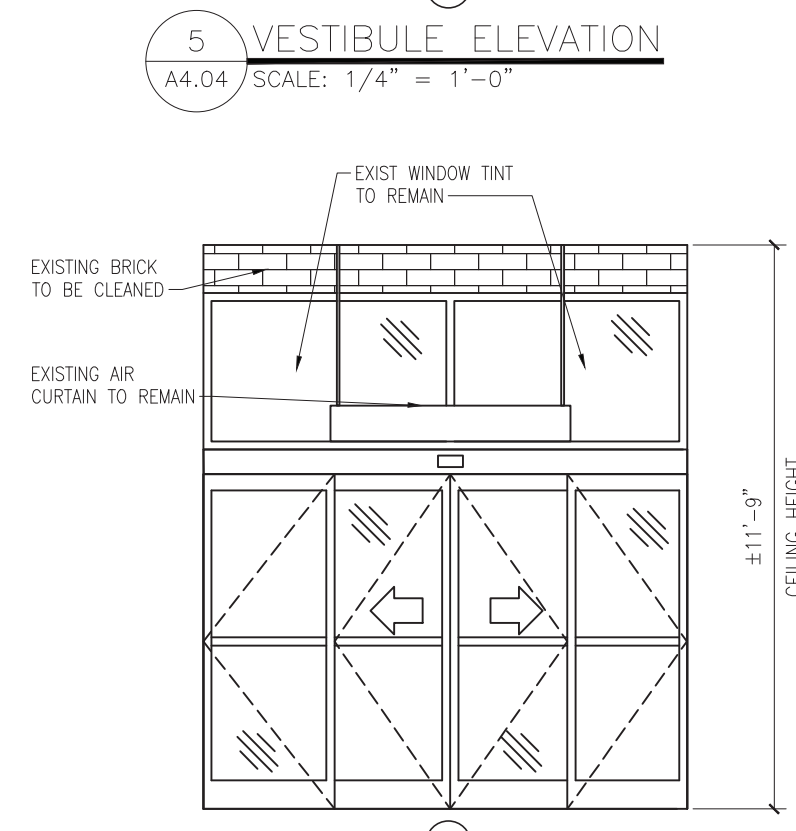
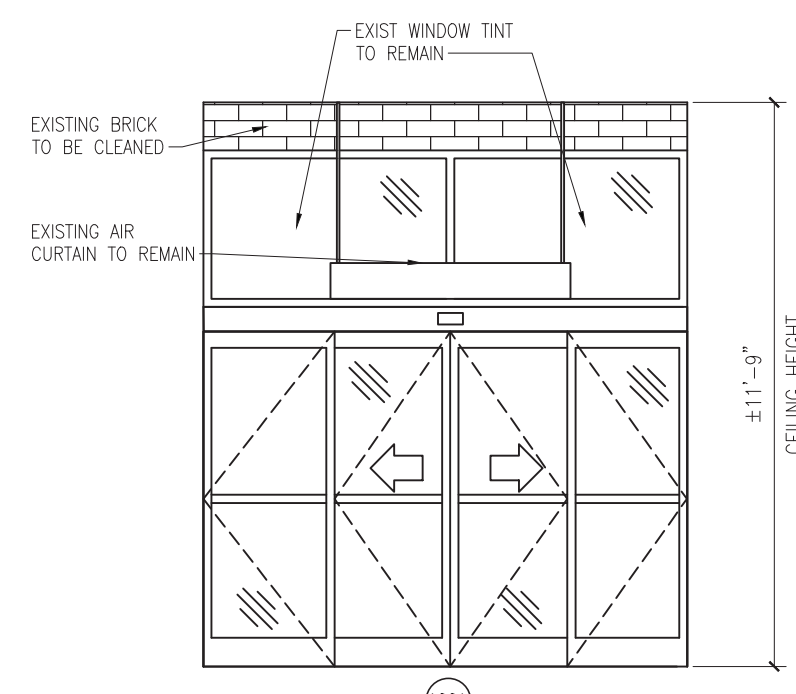
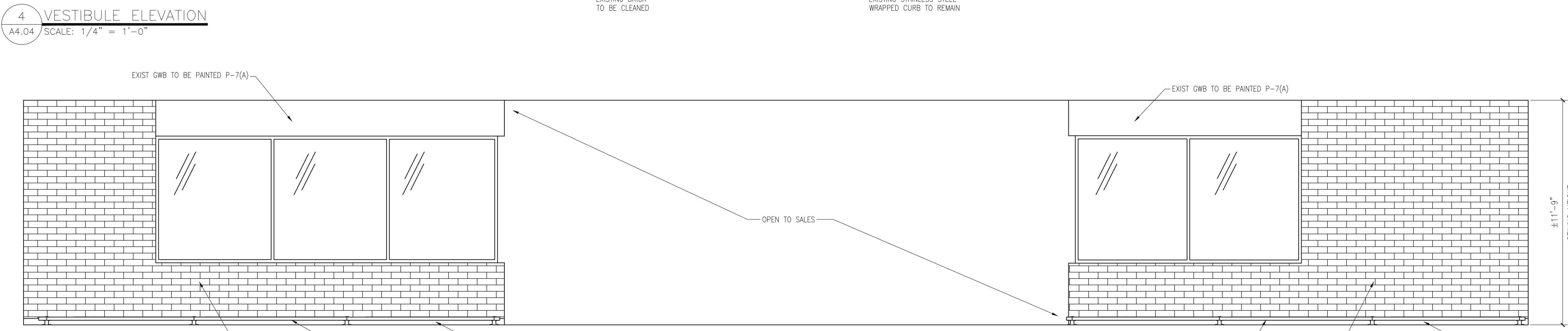
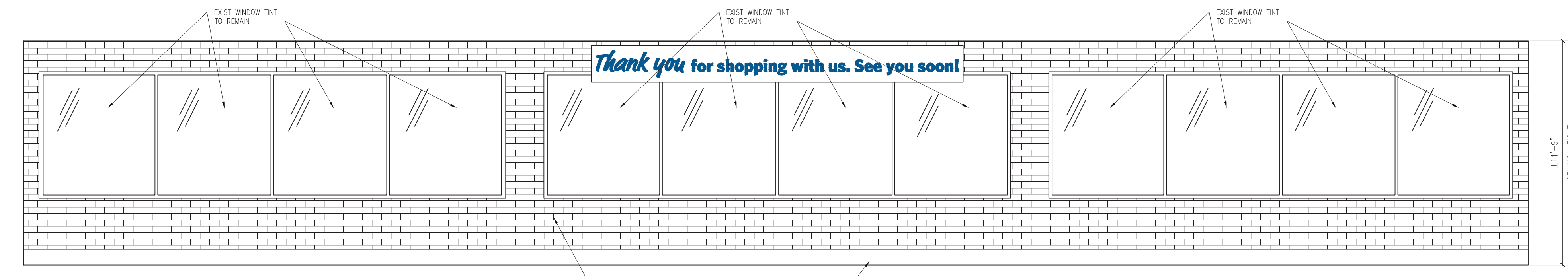
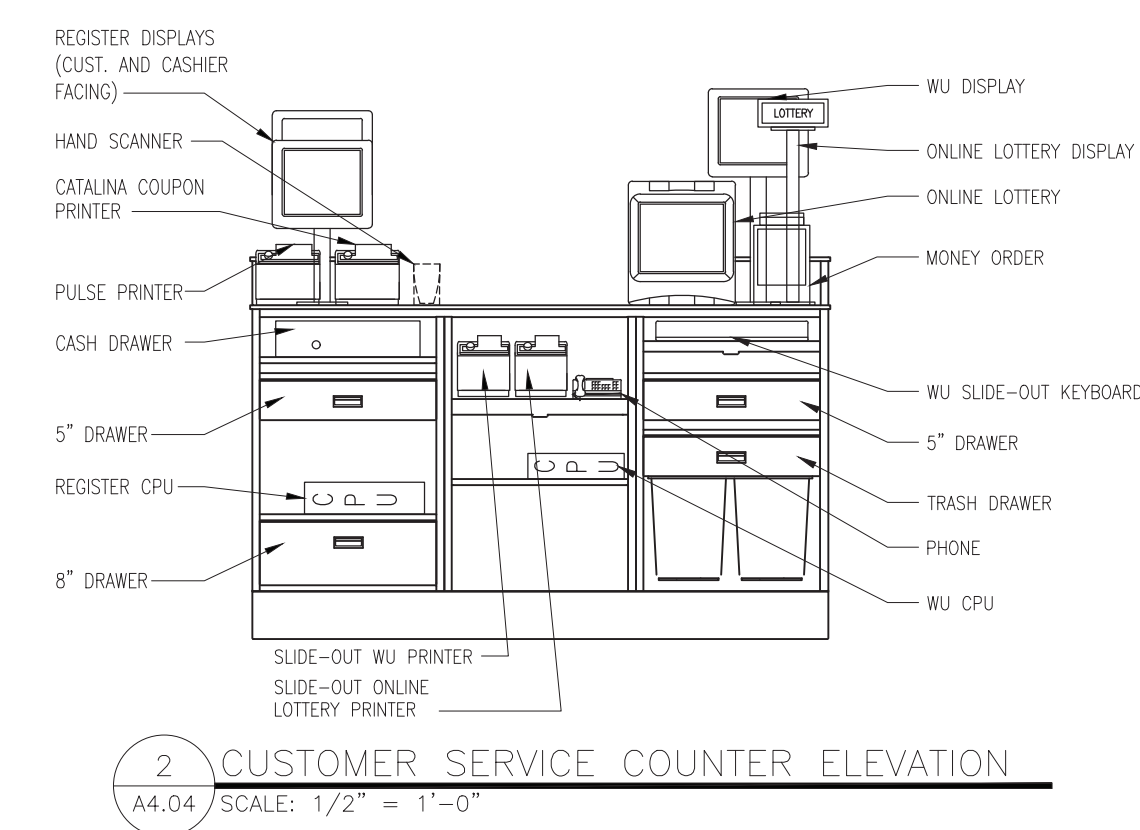
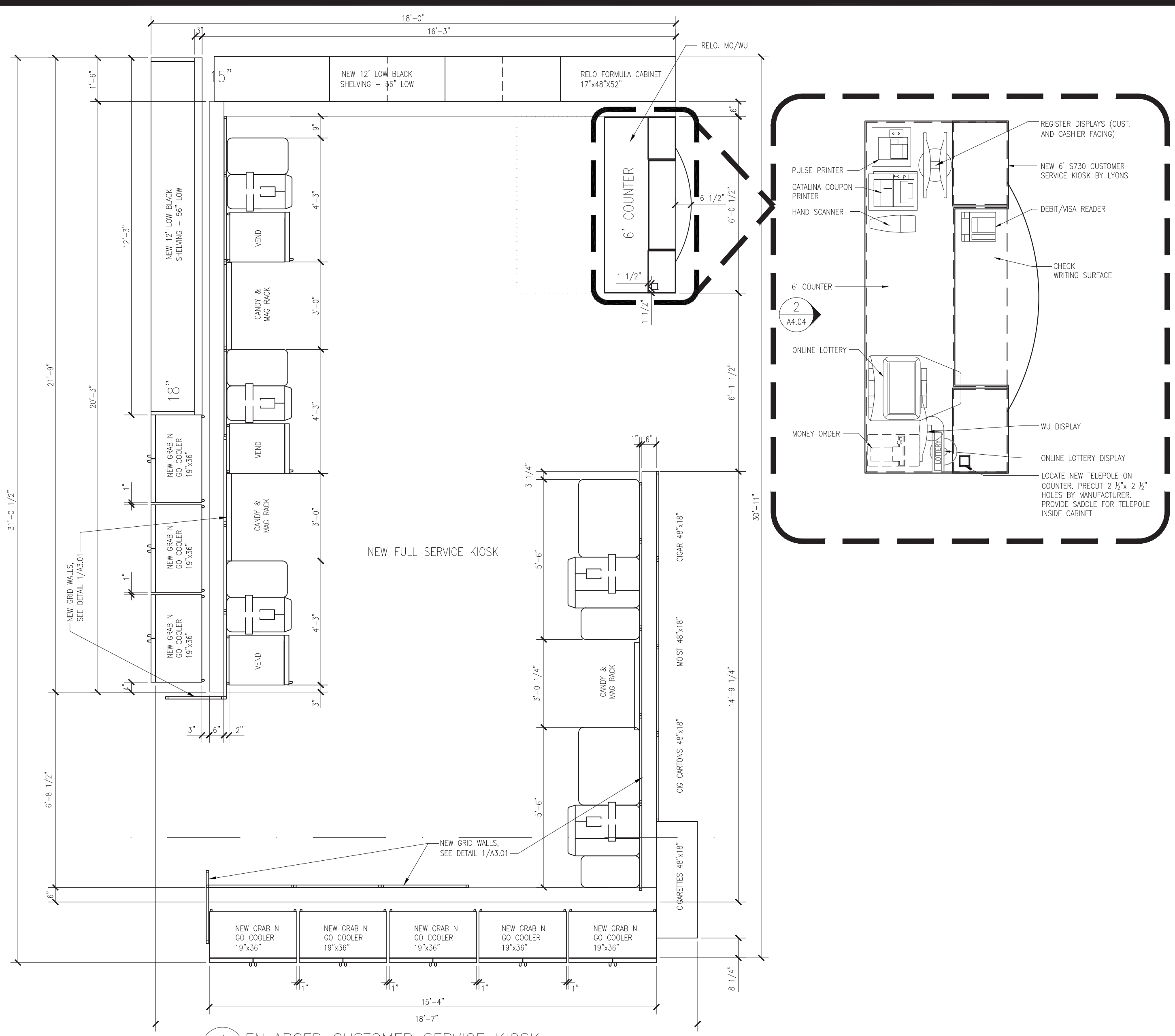
NOTE:
ALL NEW / RELOCATED FIXTURES & ACCESSORIES TO BE MOUNTED TO MEET ADA STANDARDS

NOTES:
- PROVIDE (2) COAT HOOKS ON INTERIOR SIDE OF PARTITION DOORS.
- MOUNT (1) AT 47" AFF AND (1) AT 59" AFF.
- MOUNT COAT HOOKS WITH FACTORY PROVIDED THRU-BOLTS (TYPICAL).
- NOTE: WHEN PARTITION DOOR SWINGS INWARD, UPPER COAT HOOK SHALL INCLUDE DOOR STOP.

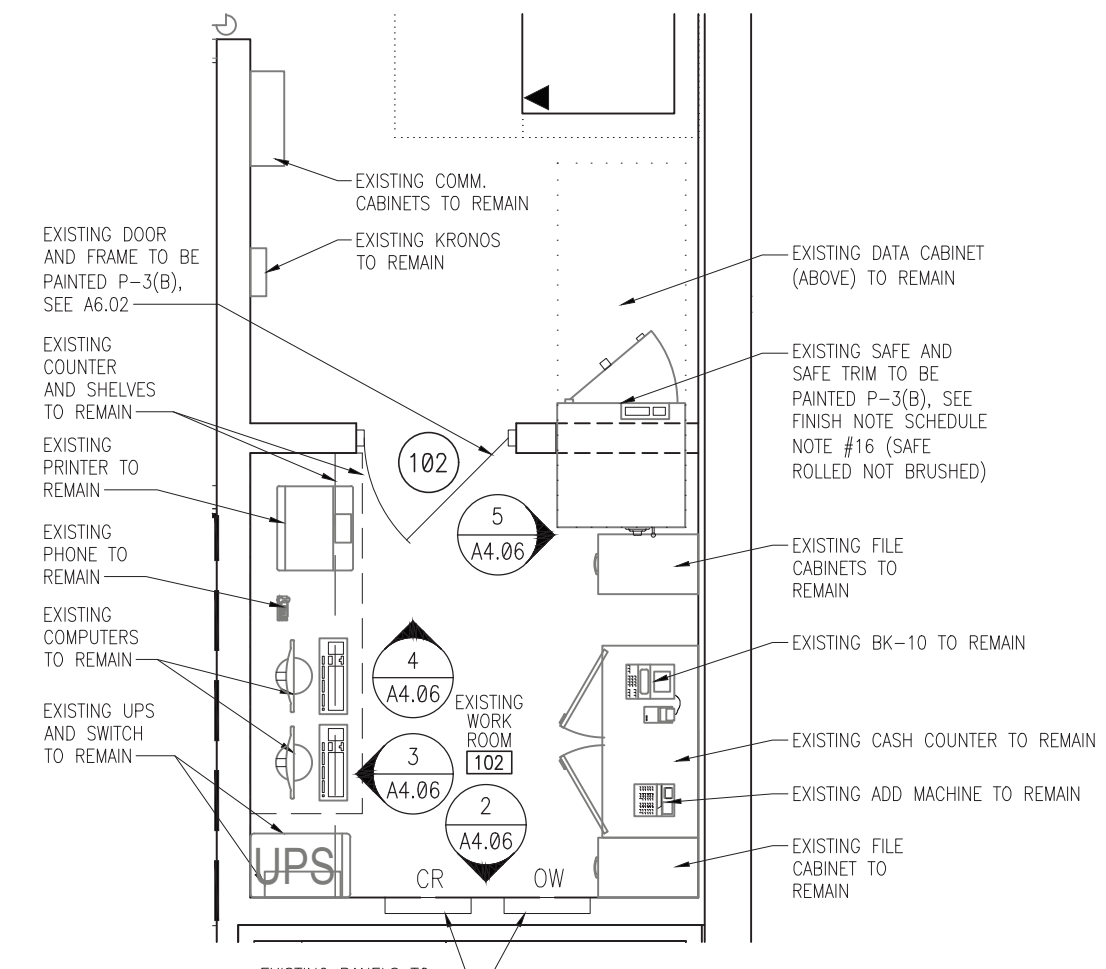


REVISIONS

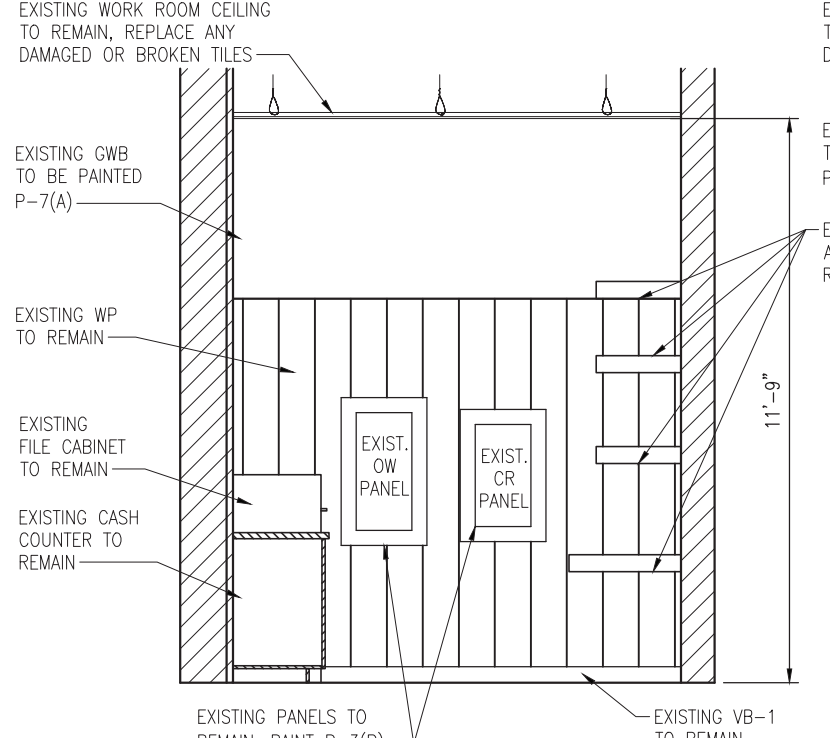
NO	DATE	REMARKS



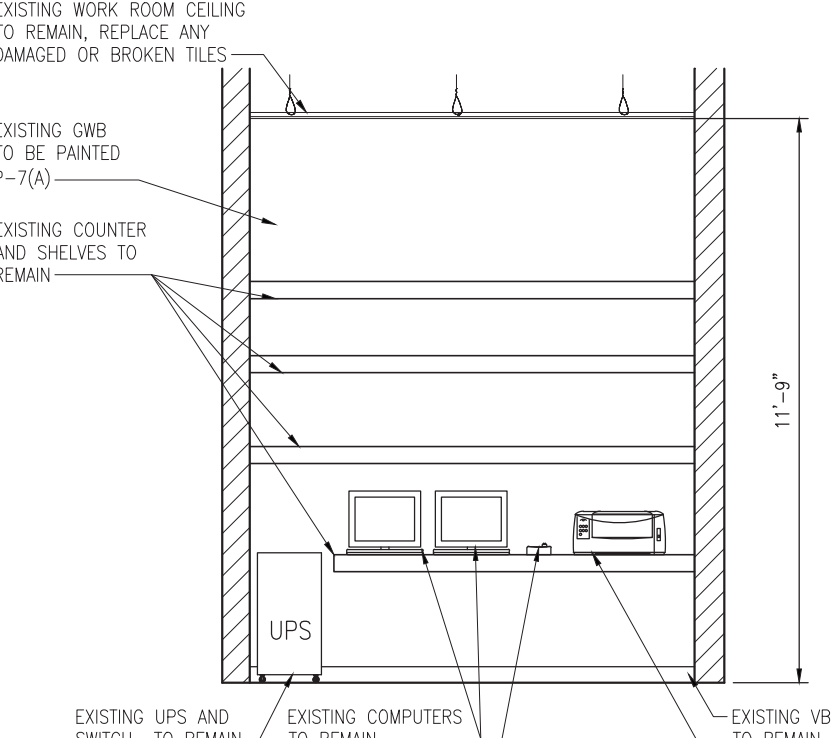
COPYRIGHT © 2023 INTERPLAN PLLC. ALL RIGHTS RESERVED. THIS DOCUMENT IS THE ORIGINAL. ANY REPRODUCTIONS, REPRODUCTIONS, CHANGES OR ASSIGNMENTS ARE PROHIBITED.



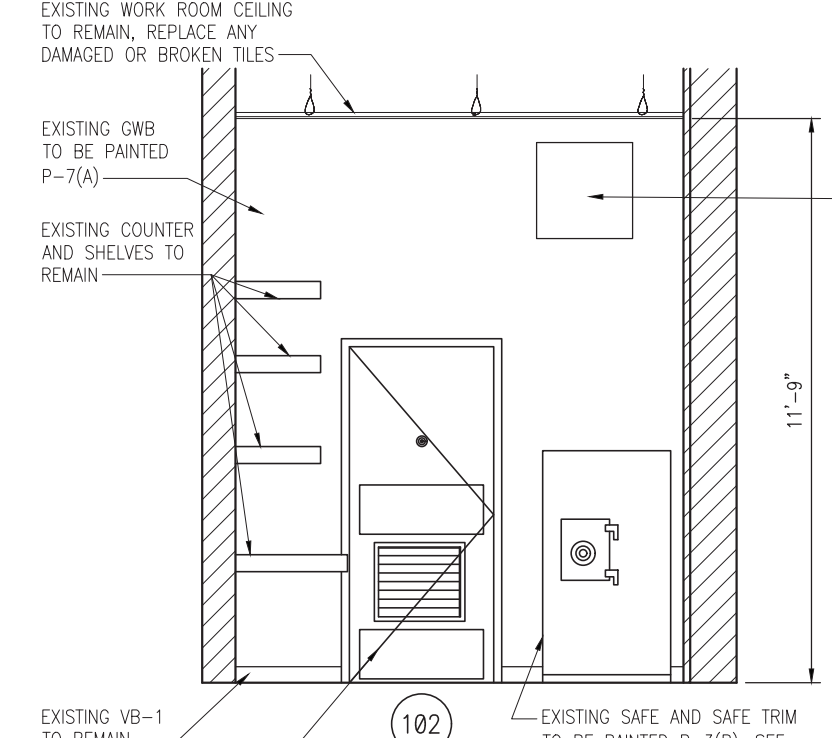
1 REMODELED WORK ROOM DETAIL PLAN
A4.06 SCALE: 1/4" = 1'-0"



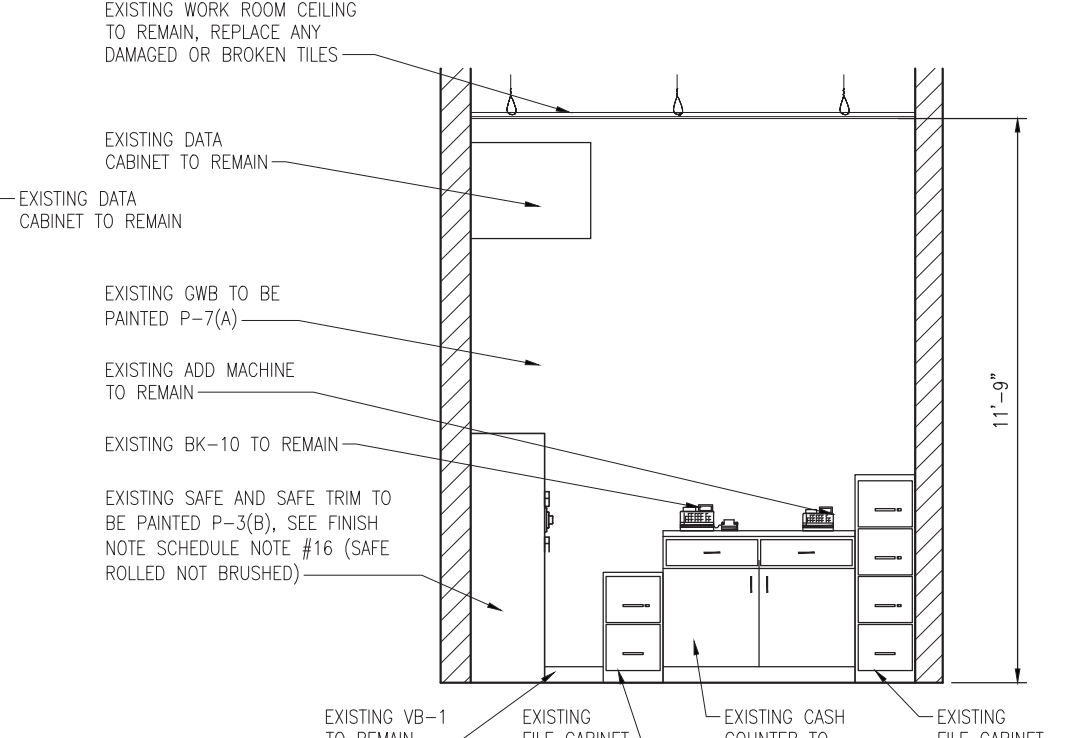
2 REMODELED WORK ROOM ELEVATION
A4.06 SCALE: 1/4" = 1'-0"



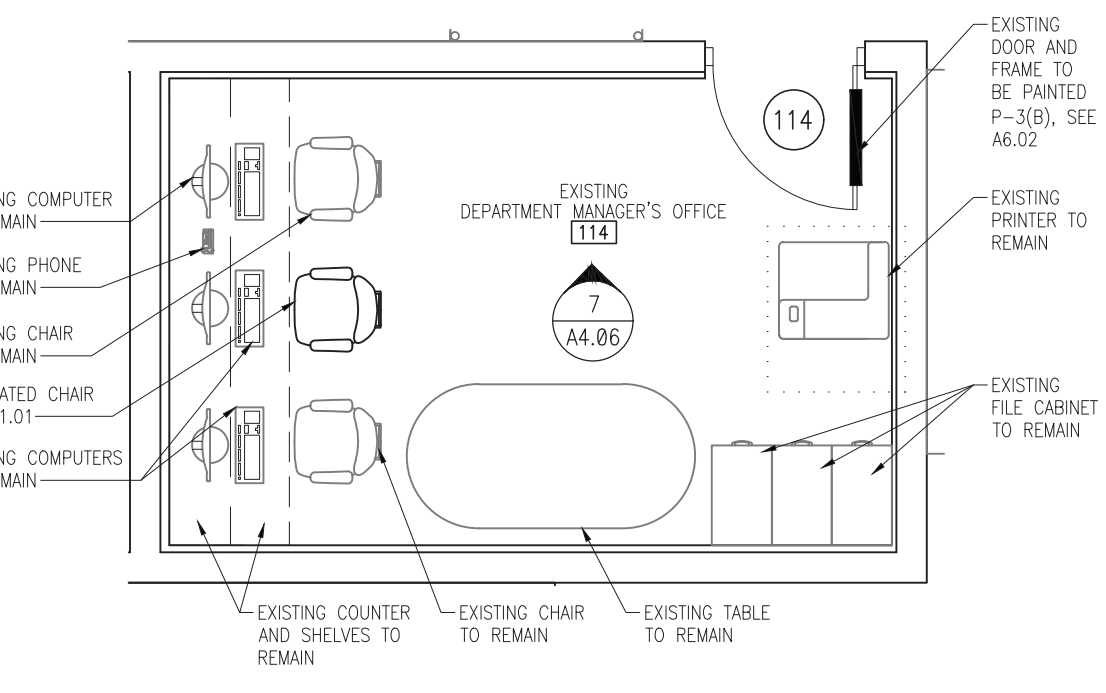
3 REMODELED WORK ROOM ELEVATION
A4.06 SCALE: 1/4" = 1'-0"



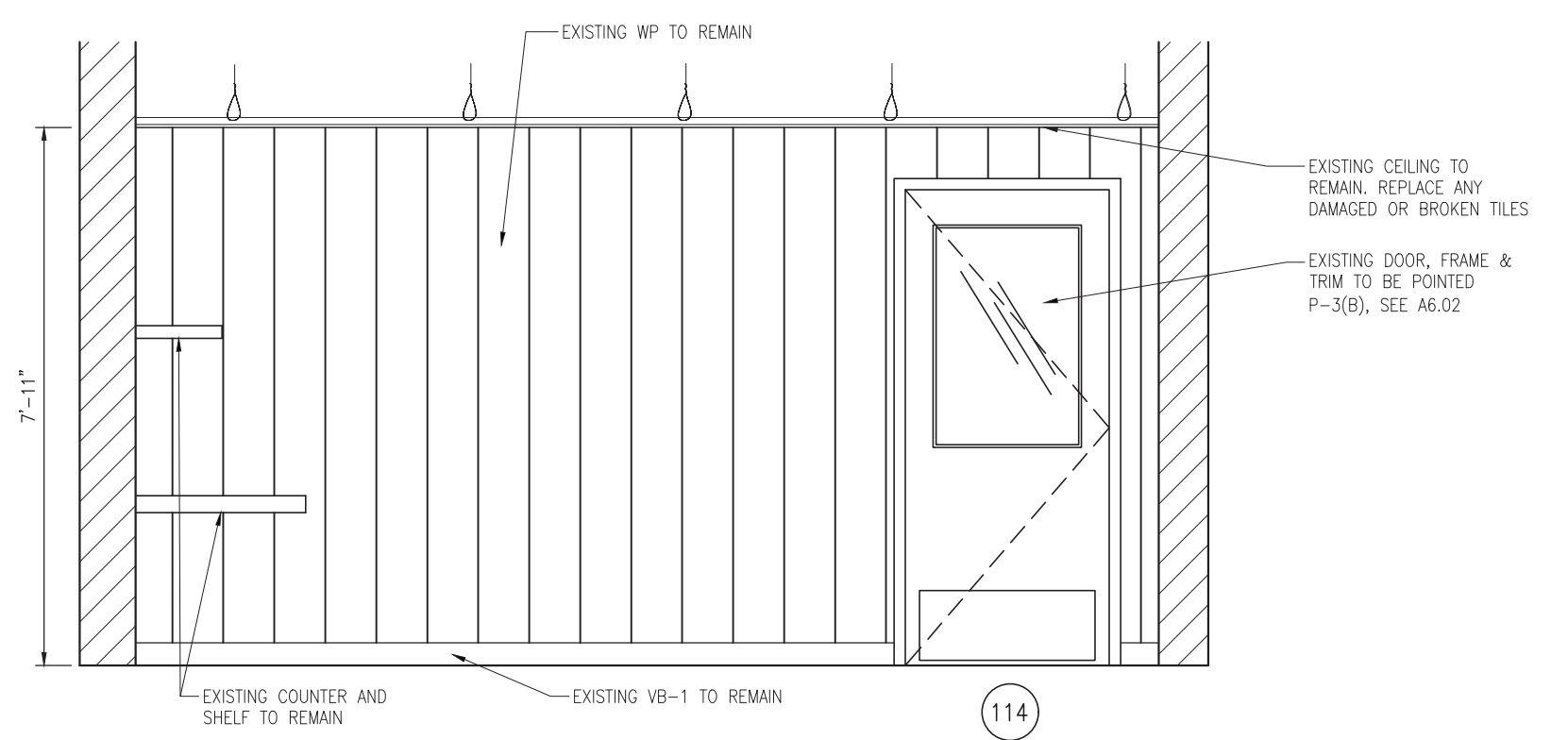
4 REMODELED WORK ROOM ELEVATION
A4.06 SCALE: 1/4" = 1'-0"



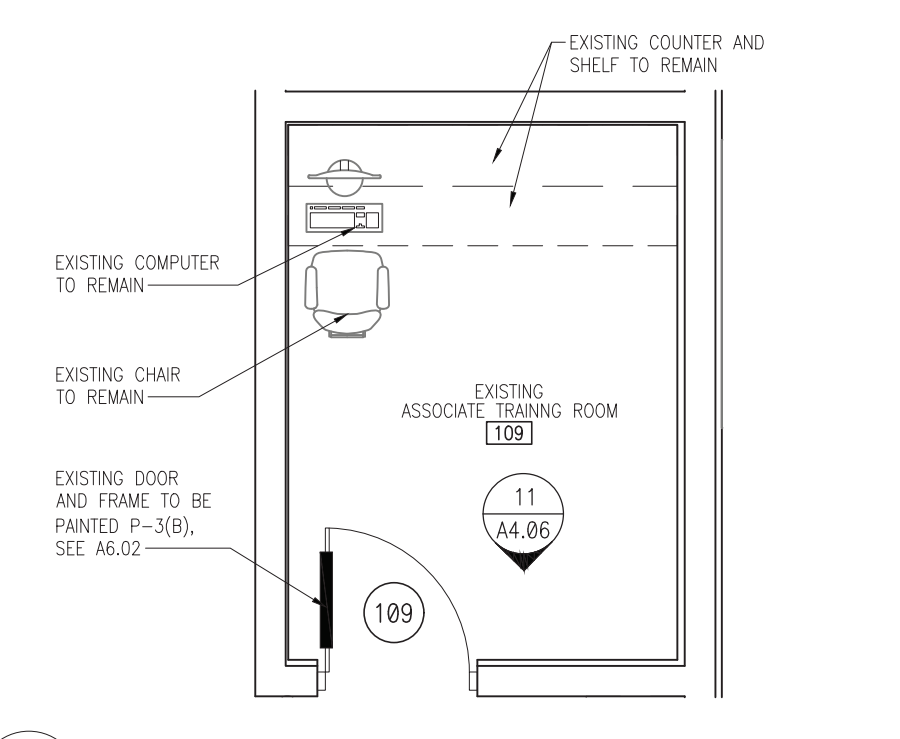
5 REMODELED WORK ROOM ELEVATION
A4.06 SCALE: 1/4" = 1'-0"



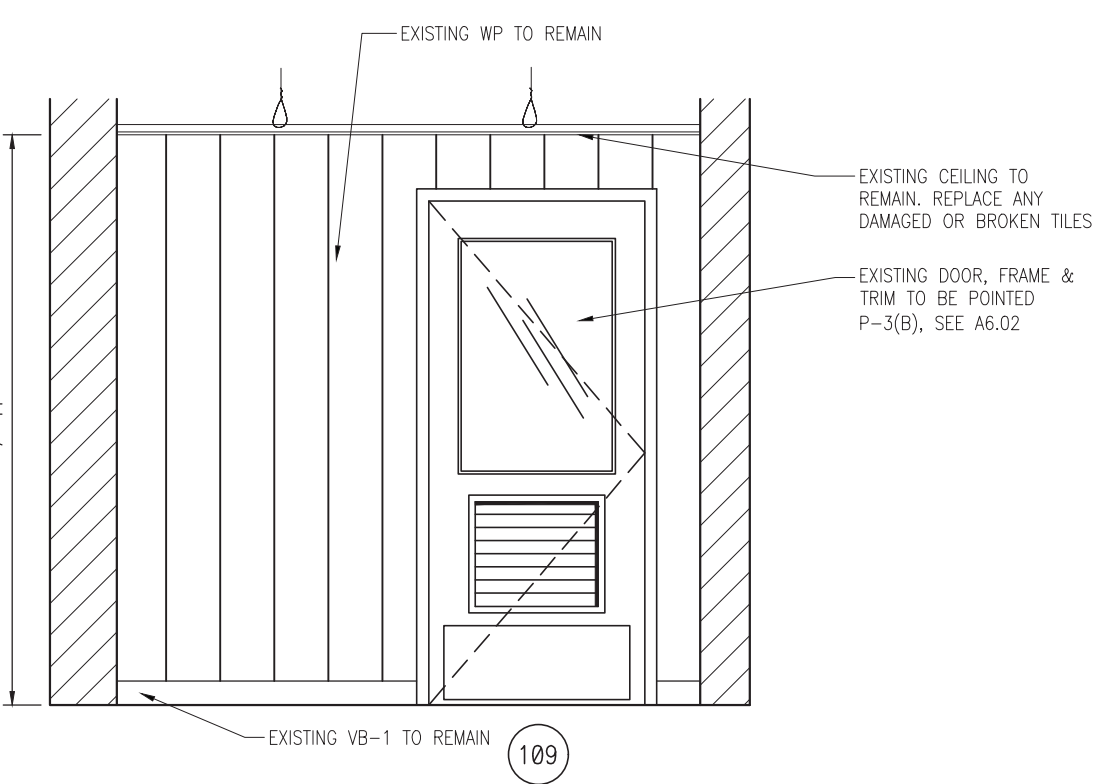
6 EXISTING DEPT. MANAGERS OFFICE DETAIL PLAN
A4.06 SCALE: 1/4" = 1'-0"



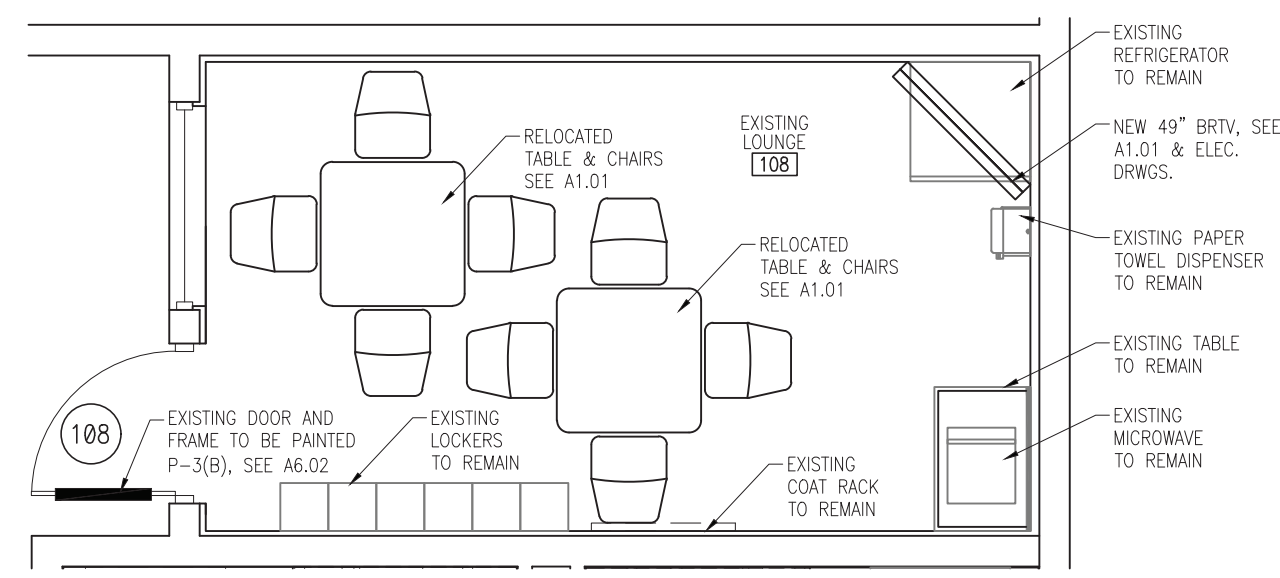
7 REMODELED DEPT. MGR. OFFICE ELEVATION
A4.06 SCALE: 3/8" = 1'-0"



8 ASSOCIATE TRAINING ROOM DETAIL PLAN
A4.06 SCALE: 1/4" = 1'-0"



9 ASSOCIATES TRAINING ROOM ELEVATION
A4.06 SCALE: 3/8" = 1'-0"



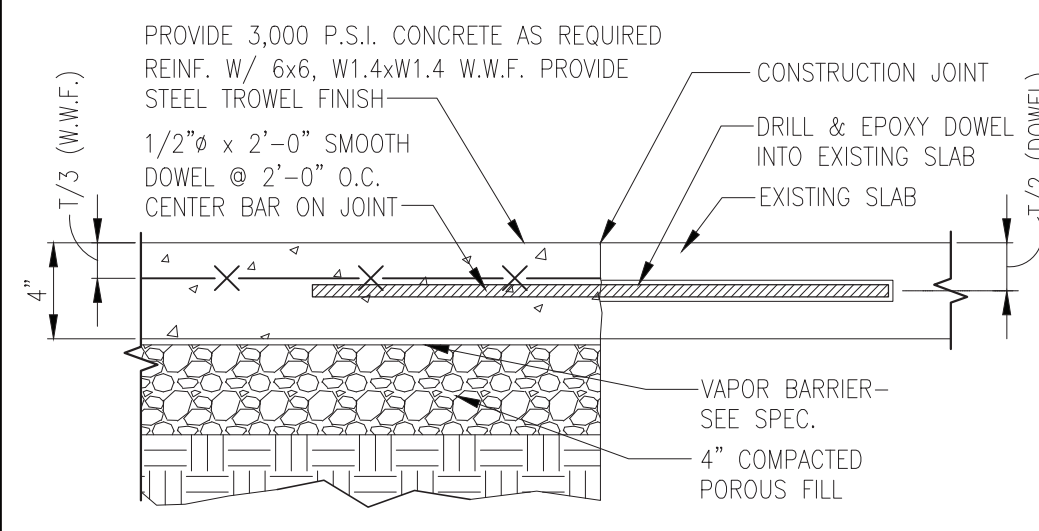
10 EXISTING LOUNGE DETAIL PLAN
A4.06 SCALE: 1/4" = 1'-0"

- GENERAL NOTES**
- ALL EXISTING MARLITE ON SALES FLOOR IS TO BE REMOVED & REPLACED WITH NEW PER FINISH SCHEDULE A6.01. EXISTING MARLITE IN NON-CUSTOMER FACING OFFICES IS TO REMAIN.
 - WOOD TRIM AT TOP OF MARLITE IS TO BE REMOVED.
 - ALL WOOD TRIM AROUND OPENINGS OR DOORS IS TO BE REMOVED, UNLESS NOTED OTHERWISE.
 - ALL SHELVING & COUNTER DIMENSIONS ARE TO BE FIELD VERIFIED.

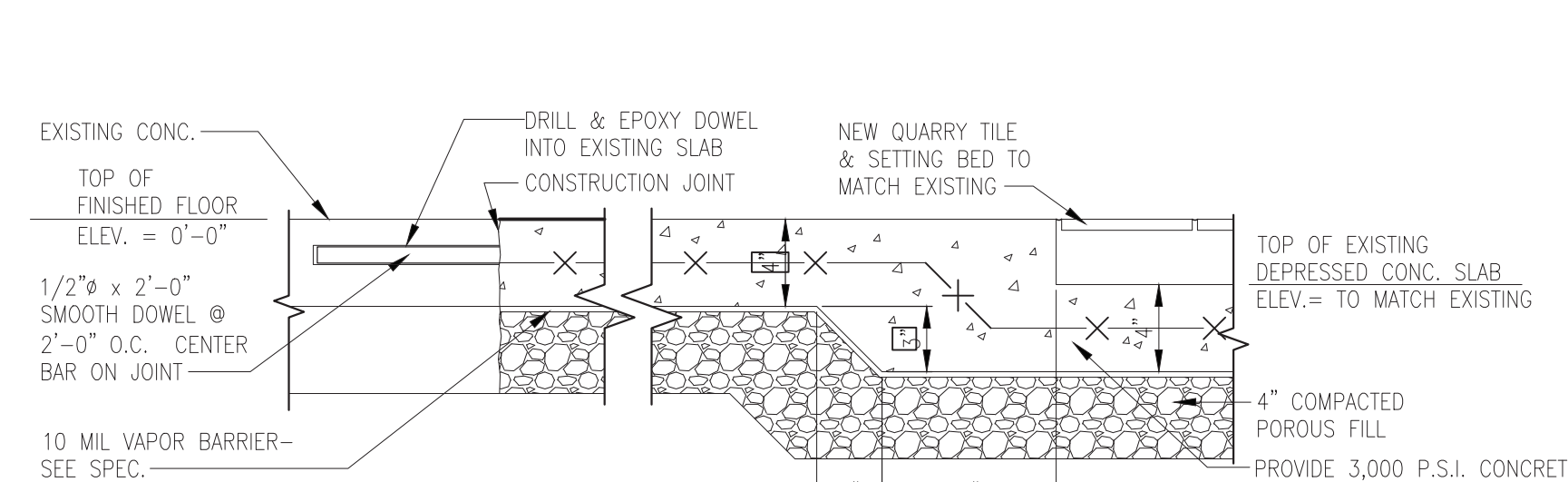
PRE-FAB CABINETS		
CAB-1	DSD CABINET-LYONS-MODEL S350(FRONT), JOHN BOOS-MODEL RDRS3628-FL (BACK)	EXIST
CAB-2	6" CABINET-LYONS-MODEL T435	NEW
CAB-3	WORK ROOM CABINET-ROYSTON-MODEL 60082334-153	EXIST
CAB-4	CUSTOMER SERVICE KIOSK 6'-LYONS-MODEL S577	NEW

LOUNGE EQUIPMENT		
LE-1	REFRIGERATOR-FRIGIDAIRE-MODEL #33E892	EXISTING
LE-2	MICROWAVE	EXISTING
LE-3	COFFEE MAKER-TOBACCO ESSENTIALS-MODEL #72410	NEW
LE-4	S.S. TABLE-JOHN BOOS & CO.-MODEL #ST6RS-2436SW	EXISTING

COPYRIGHT © 2023 INTERPLAN PLLC. ALL RIGHTS RESERVED. REPRODUCTION OR TRANSMISSION OF THIS DOCUMENT IN ANY FORM OR BY ANY MEANS, WITHOUT THE WRITTEN PERMISSION OF INTERPLAN PLLC, IS STRICTLY PROHIBITED.



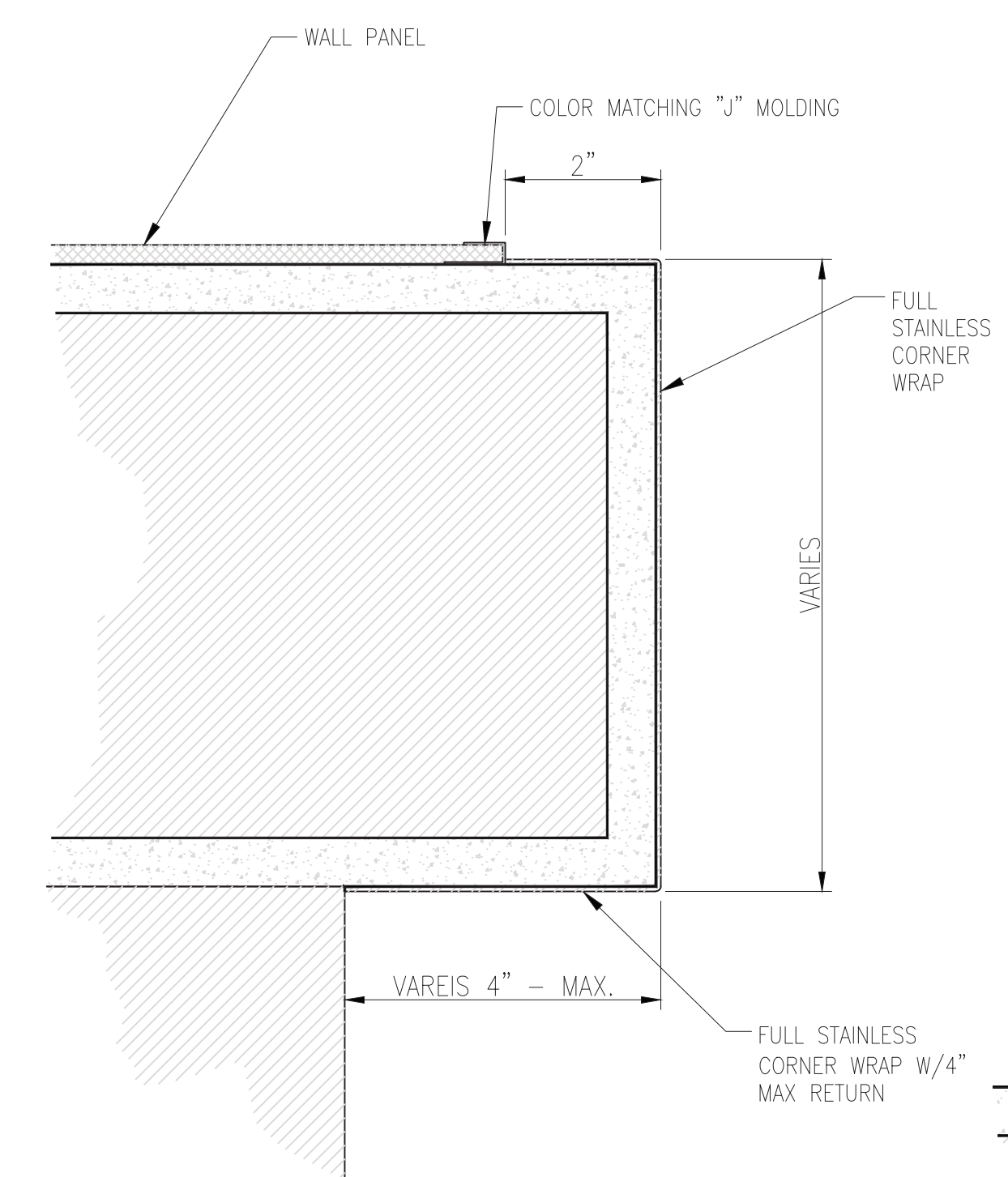
1A SLAB JOINT DETAIL - TYPICAL
A5.01 SCALE: 1 1/2" = 1'-0"



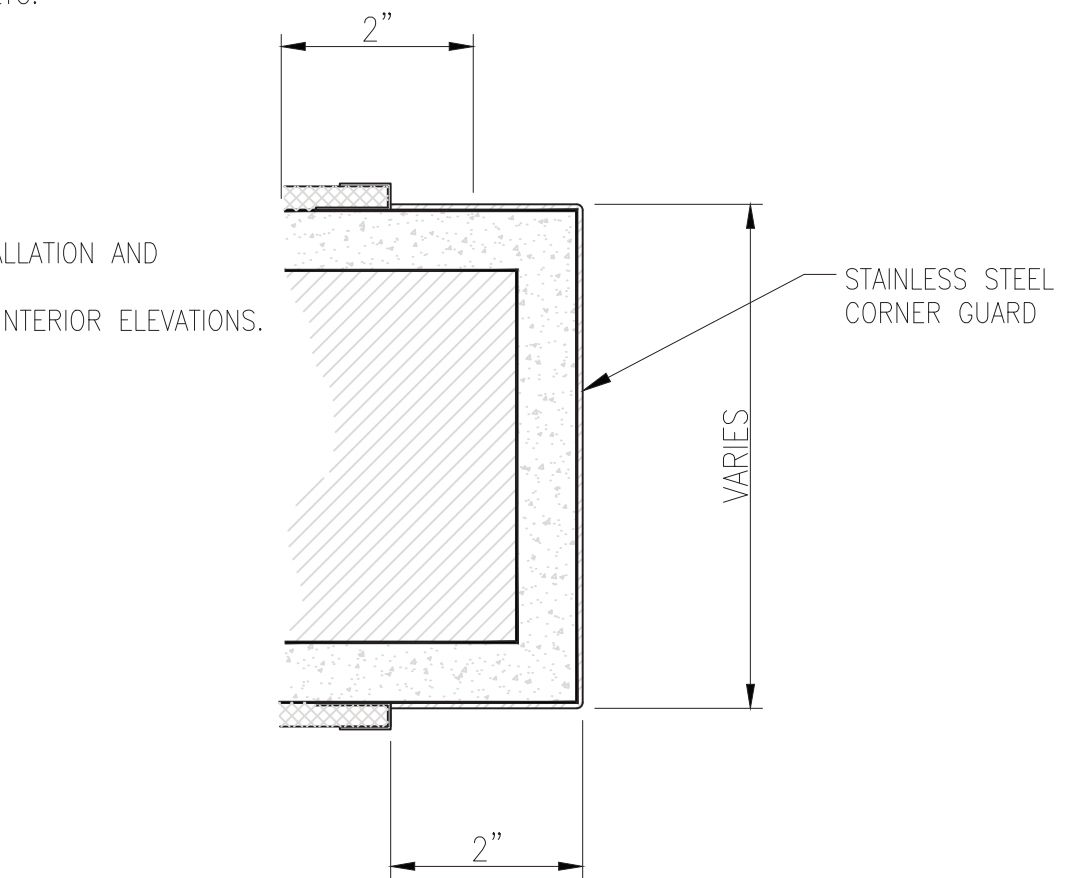
1B DEPRESSED SLAB JOINT DETAIL
A5.01

1 SLAB JOINT DETAILS
A5.01 SCALE: 1 1/2" = 1'-0"

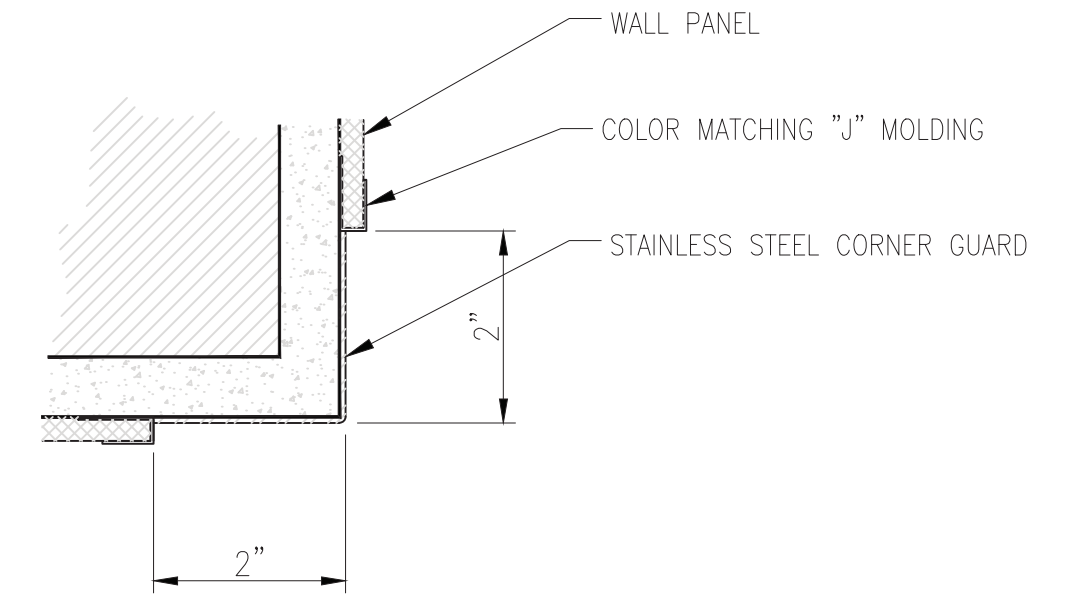
- UTILIZE THE GUIDELINES BELOW FOR STAINLESS STEEL WRAPS, CORNER GUARDS, THRESHOLDS, ETC.
1. COLUMN WRAPS - 22 GA., FINISH #3.
 2. CORNER GUARDS - 18 GA., FINISH #3. NON-HEMMEDEDGES.
 3. DOOR FRAME WRAPS - 18 GA., FINISH #3.
 4. OVEN/HOOD FLASHING - 20 GA., FINISH #3.
 5. DOOR PLATES - 18 GA., FINISH #3.
 6. THRESHOLDS - 11 GA., FINISH #2B.
- ALL MATERIAL IS STAINLESS STEEL AND SHALL BE PVC COVERED FOR PROTECTION DURING INSTALLATION AND CAULKING.
HEIGHT OF GUARDS TO EXTEND FULL HEIGHT OF ADJACENT PANELING OR AS INDICATED IN THE INTERIOR ELEVATIONS.
COORDINATE WITH FOOD LION CONSTRUCTION SUPERVISOR.
- THESE ARE TYPICAL DETAILS AND MAY OR MAY NOT APPLY



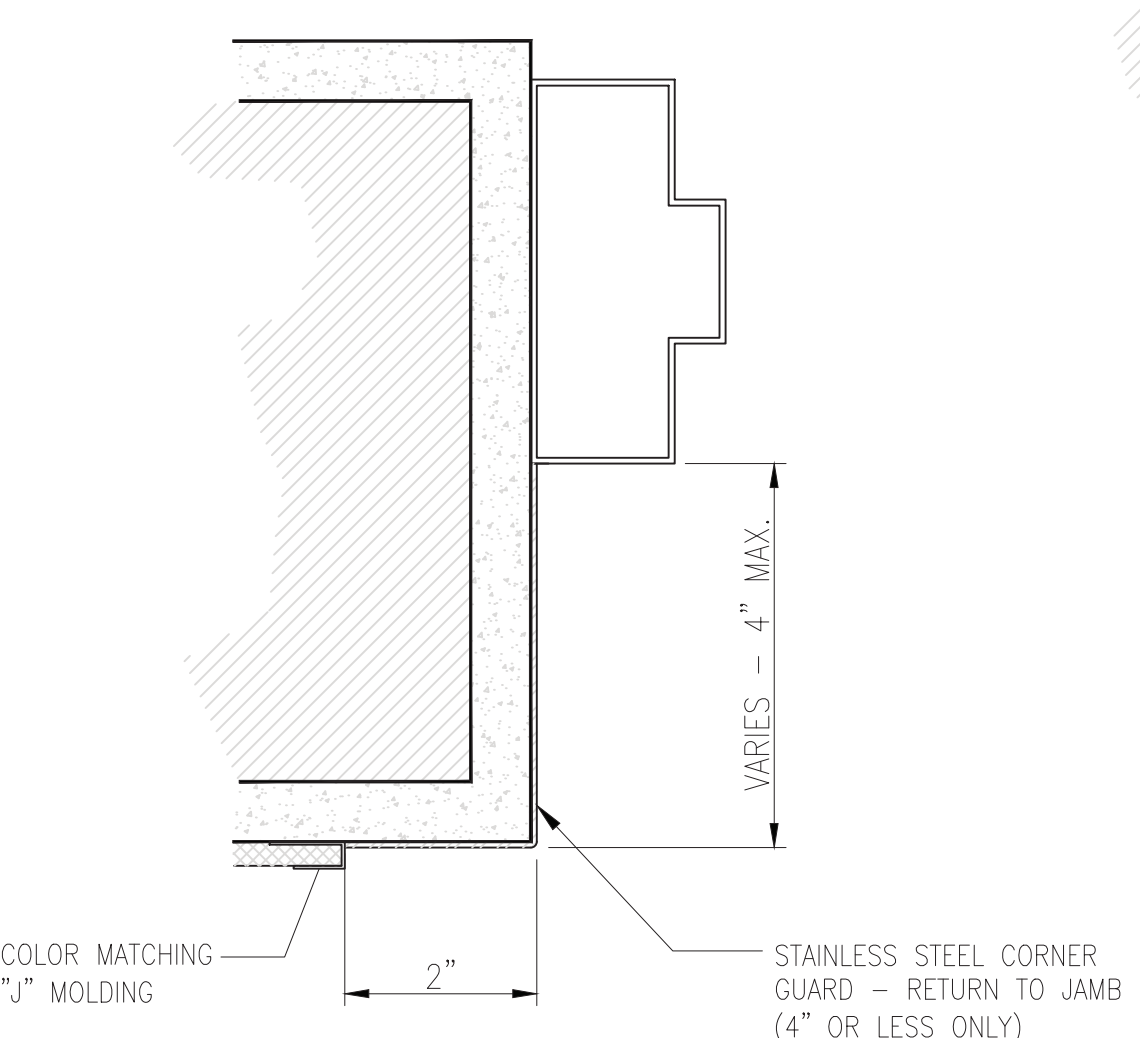
2C STAINLESS STEEL FULL WRAP W/STAINLESS RETURN
A5.01 6"=1'-0"



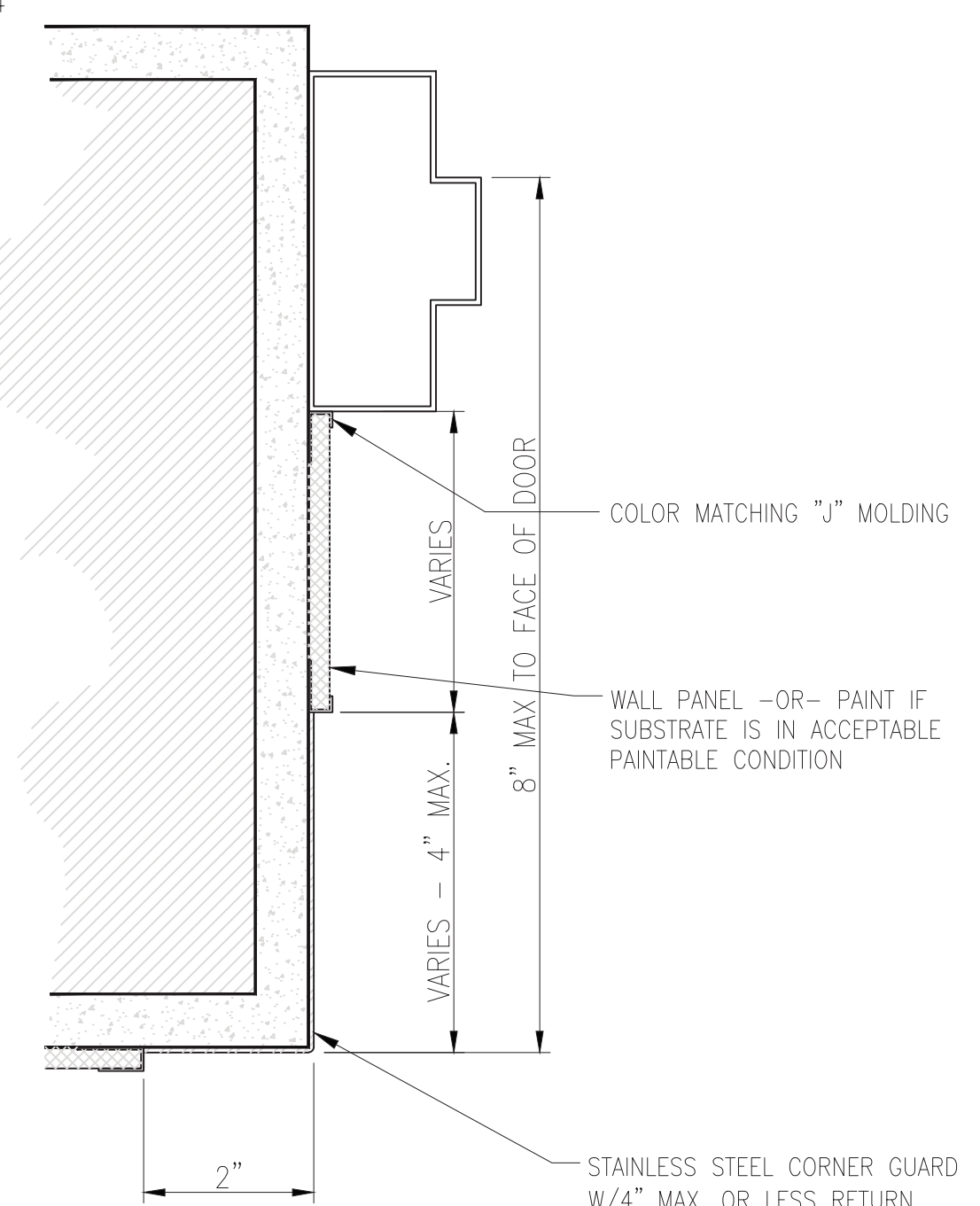
2E STANDARD STAINLESS STEEL FULL WRAP
A5.01 6"=1'-0"



2D STANDARD STAINLESS STEEL CORNER GUARD
A5.01 6"=1'-0"

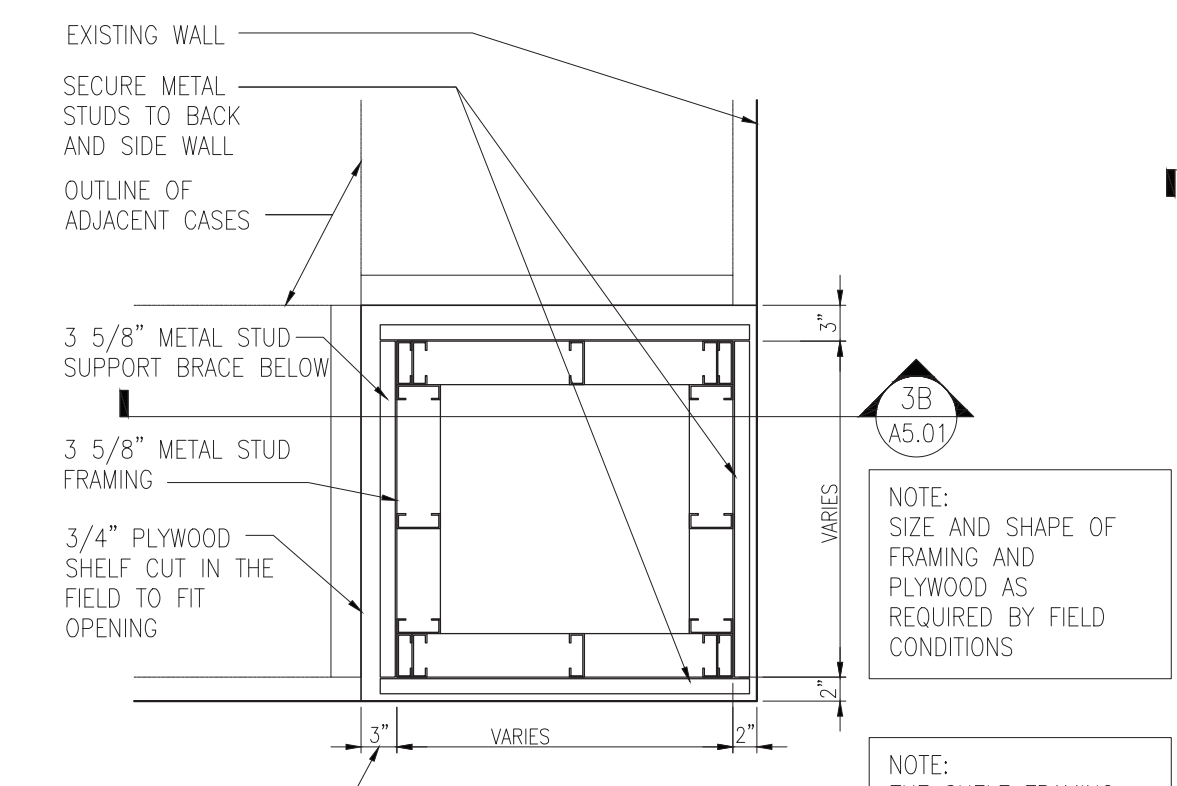


2A STAINLESS STEEL CORNER GUARD W/STAINLESS RETURN
A5.01 6"=1'-0"



2B STAINLESS STEEL CORNER GUARD W/PANEL RETURN
A5.01 6"=1'-0"

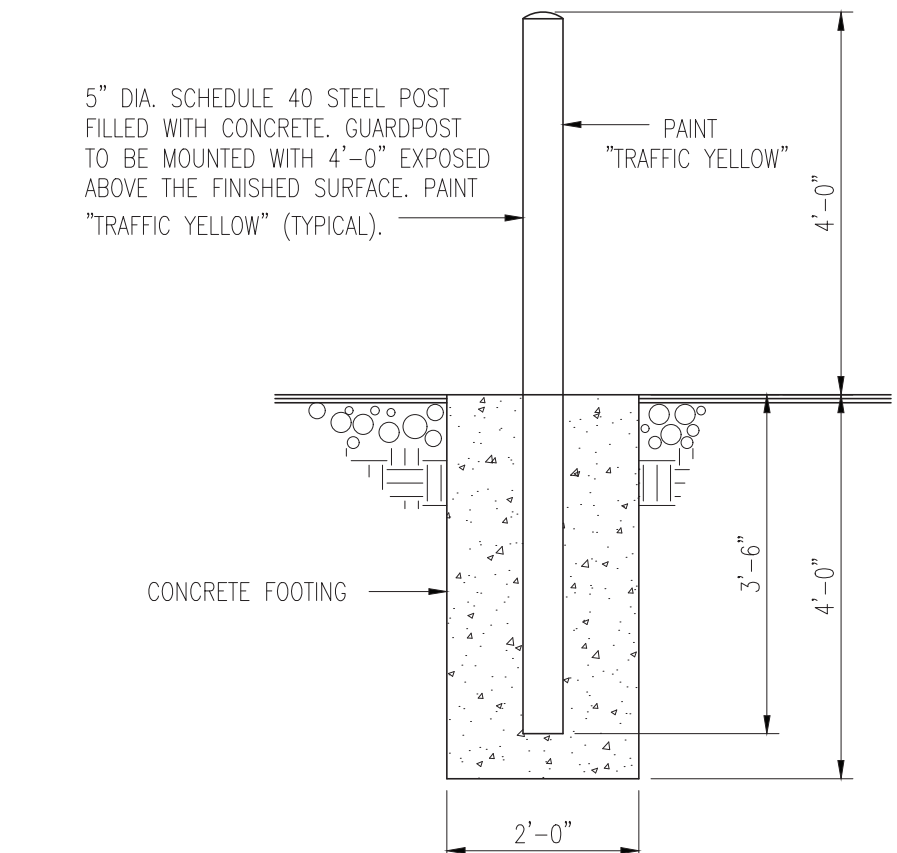
2 TYPICAL S.S. GUARD DETAILS
A5.01 SCALE: 6" = 1'-0"



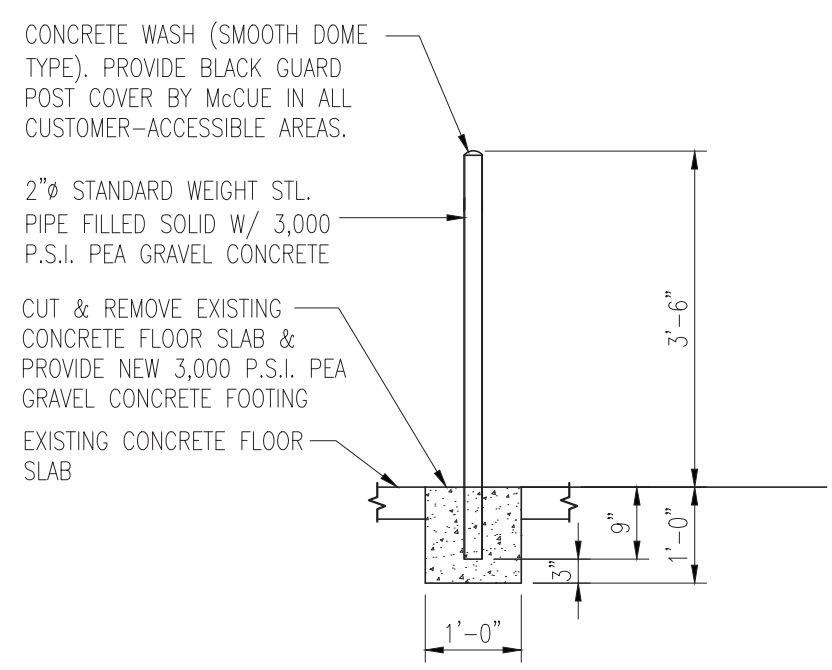
3A PLAN VIEW
A5.01

3 CAPPED VOID BY G.C.
A5.01 SCALE: 3/4" = 1'-0"

NOTE: GUARDPOSTS AT FRONT OF STORE SHALL BE COVERED BY McCUE OR BOSTON GROUP YELLOW CARTSTOP POST COVERS.

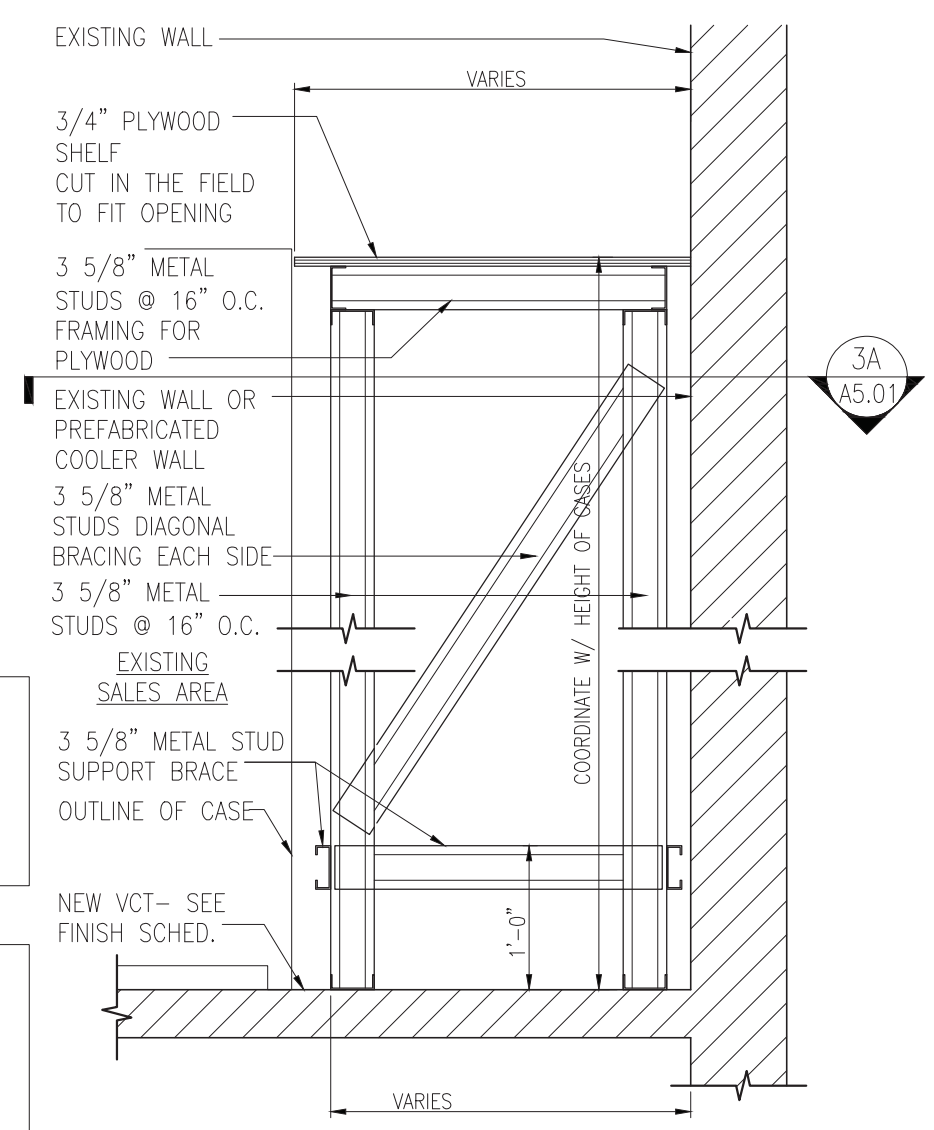


4A EXTERIOR GUARDPOST DETAIL



4B INTERIOR GUARDPOST DETAIL

4 GUARDPOST DETAIL
A5.01 SCALE: 1/2" = 1'-0"

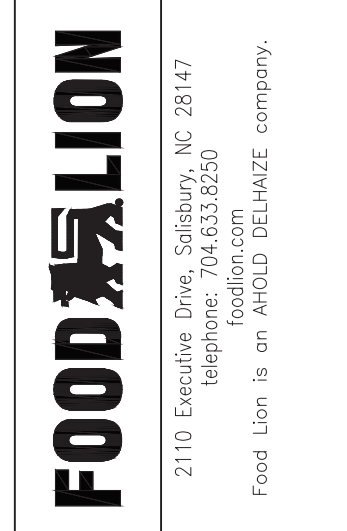


3B CROSS SECTION
A5.01

NOTE: THE SHELF FRAMING IS TO BE SECURELY FASTENED TO THE ADJACENT WALLS.
DO NOT FASTEN TO THE ADJACENT CASE END PANELS UNDER ANY CIRCUMSTANCES.



REVISIONS	NO	DATE	REMARKS



FOOD LION
REMODEL
STORE #1237
133 MITTIE HADDOCK DRIVE
CAMERON, NC, 28326

PROJECT NO: 2023.0026
DATE: 09/06/23

20 OF 43
A5.01
MISCELLANEOUS DETAILS

ROOM FINISH SCHEDULE ("*" INDICATES NEW ROOM)								
NO.	ROOM NAME	FLOOR	BASE	WALL MATERIAL/ FINISH	TRIM	CEILING	CEILING HEIGHT	NOTES AND COMMENTS
100	EXISTING VESTIBULE	NEW CPT-1	NEW VB-1	ALUM & GLASS/ EXIST BRICK/ EXIST GWB PAINT P-7(A)	EXIST S.S. TRIM	EXIST ACT-1	11'-9"	SEE GENERAL NOTES AND FINISH NOTES #3,13
101	EXISTING SALES AREA	EXIST VCT/ NEW VCT	EXIST VB-1	ALUM & GLASS/ EXIST WP/ EXIST GWB PAINT P-7(A)	EXIST S.S. TRIM/ EXIST WD TRIM REPAINT P-3(A)	EXIST ACT-1	11'-10"	SEE GENERAL NOTES AND FINISH NOTES #1,3,7,9,13,15,17,19
102	EXISTING WORK ROOM	EXIST VCT	EXIST VB-1	EXIST WP/ EXIST GWB PAINT P-7(A)	EXIST WD TRIM REPAINT P-3(A)	EXIST ACT-1	11'-9"	SEE GENERAL NOTES AND FINISH NOTES #1,3,7,13,16
103	EXISTING RISER ROOM	EXIST CS	-	EXIST CMU	-	EXIST EXPOSED	-	SEE GENERAL NOTES AND FINISH NOTES #7,13
104	EXISTING CORRIDOR	EXIST VCT	EXIST VB-1	EXIST WP	EXIST S.S. TRIM/ VINYL BUMPER	EXIST ACT-1	8'-9"	SEE GENERAL NOTES AND FINISH NOTES #1,7,13
105	EXISTING MEN'S RESTROOM	EXIST CT	-	EXIST CWT	-	EXIST GWB	7'-11"	SEE GENERAL NOTES AND FINISH NOTES #6,7,13
106	EXISTING WOMEN'S RESTROOM	EXIST CT	-	EXIST CWT	-	EXIST GWB	8'-0"	SEE GENERAL NOTES AND FINISH NOTES #6,7,13
107	EXISTING GROCERY STAGING / RECEIVING ROOM	EXIST CS	-	EXIST CMU	-	EXIST EXPOSED	-	SEE GENERAL NOTES AND FINISH NOTES #7,13
108	EXISTING LOUNGE	EXIST VCT	EXIST VB-1	EXIST WP	EXIST WD TRIM PAINT P-3(A)	EXIST ACT-1	7'-11"	SEE GENERAL NOTES AND FINISH NOTES #1,7,9,13
109	EXISTING ASSOCIATES TRAINING ROOM	EXIST VCT	EXIST VB-1	EXIST WP	EXIST WD TRIM PAINT P-3(A)	EXIST ACT-1	7'-11"	SEE GENERAL NOTES AND FINISH NOTES #1,7,9,13
110	EXISTING MECHANICAL ROOM	EXIST CS	-	EXIST CMU	-	EXIST EXPOSED	-	SEE GENERAL NOTES AND FINISH NOTES #7,13
110A	EXISTING MECHANICAL ROOM #2	EXIST VCT	-	EXIST CMU	-	EXIST GWB	8'-9"	SEE GENERAL NOTES AND FINISH NOTES #7,13
111	EXISTING JANITOR'S CLOSET	EXIST CS	-	EXIST CMU PAINT P-4(C)	-	EXIST PGB PAINT P-4(B)	8'-0"	SEE GENERAL NOTES AND FINISH NOTES #7,13
112	EXISTING MEAT PREP	EXIST QT	EXIST QTB	EXIST FRP	-	EXIST PREFAB PNL	10'-0"	SEE GENERAL NOTES AND FINISH NOTES #7,13
112A	EXISTING MEAT COOLER	EXIST QT	EXIST QTB	EXIST PRE-FAB PNL	-	EXIST PREFAB PNL	-	SEE GENERAL NOTES
112B	EXISTING MEAT FREEZER	EXIST PRE-FAB PNL	EXIST FRPB	EXIST PRE-FAB PNL	-	EXIST PREFAB PNL	-	SEE GENERAL NOTES
113	EXISTING MEAT OFFICE	EXIST QT	EXIST QTB	EXIST CMU PAINT P-4(C)	-	EXIST PGB PAINT P-4(B)	8'-0"	SEE GENERAL NOTES AND FINISH NOTES #7,13
114	EXISTING DEPARTMENT MANAGER'S OFFICE	EXIST VCT	EXIST VB-1	EXIST WP	EXIST WD TRIM PAINT P-3(A)	EXIST ACT-1	7'-11"	SEE GENERAL NOTES AND FINISH NOTES #1,7,13
115	EXISTING PRODUCE PREP	EXIST CS	-	EXIST CMU PAINT P-4(C)	-	EXIST ACT-2	9'-10"	SEE GENERAL NOTES AND FINISH NOTES #7,13
115A	EXISTING PRODUCE COOLER	EXIST CS	-	EXIST PRE-FAB PNL	-	EXIST ACT-2	-	SEE GENERAL NOTES
116	EXISTING DELI/ BAKERY PREP	EXIST QT	EXIST QTB	EXIST CWT	-	EXIST ACT-2	8'-6"	SEE GENERAL NOTES AND FINISH NOTES #6,7,12,13
116A	EXISTING DELI/ BAKERY COOLER	EXIST QT	EXIST QTB	EXIST PRE-FAB PNL PAINT P-18(E)	-	EXIST PREFAB PNL	-	SEE GENERAL NOTES
116B	EXISTING DELI/ BAKERY FREEZER	EXIST PRE-FAB PNL	EXIST FRPB	EXIST PRE-FAB PNL PAINT P-18(E)	-	EXIST PREFAB PNL	-	SEE GENERAL NOTES
117	EXISTING DELI/ BAKERY CLOSET	EXIST CS	EXIST QTB	EXIST FRP	-	EXIST PGB PAINT P-4(B)	8'-0"	SEE GENERAL NOTES AND FINISH NOTES #7,13
120	EXISTING DAIRY COOLER	EXIST CS	EXIST FRPB	EXIST PRE-FAB PNL	-	EXIST PREFAB PNL	-	SEE GENERAL NOTES
121	EXISTING STORAGE FREEZER	EXIST PRE-FAB PNL	EXIST FRPB	EXIST PRE-FAB PNL	-	EXIST PREFAB PNL	-	SEE GENERAL NOTES
122	EXISTING ICE CREAM FREEZER	EXIST PRE-FAB PNL	EXIST FRPB	EXIST PRE-FAB PNL	-	EXIST PREFAB PNL	-	SEE GENERAL NOTES

GENERAL NOTES:

- ALL CONSTRUCTION TO BE TYPE IIB OR BETTER (NCSB).
 - REFER TO SHEET A1.04 FOR ADDITIONAL CEILING INFORMATION.
 - REFER TO SHEET A2.02 FOR SALES FINISHES & A4.03 FOR RESTROOM FINISH LOCATIONS.
 - REFER TO G1.01 FOR NATIONAL ACCOUNT INFORMATION.
 - REPLACE ANY BROKEN/ DAMAGED MATERIALS (ACT, FLOOR/WALL TILE, ETC.) TO MATCH EXISTING UNLESS NEW SPECIFICATION IS LISTED.
 - DO NOT PAINT POLISHED ALUMINUM/ STAINLESS STEEL TRIM.
 - REFER TO A1.05 FOR FLOOR FINISHES.
- FINISH SCHEDULE NOTES (35-17 DECOR):**
- MARLITE BRAND PANELS (MSP): USE TRADITIONAL PROFILE ALUMINUM TRIM PIECES WITH A FACTORY FINISH TO MATCH MARLITE. INSTALL REPLACEMENT MARLITE BRAND PANELS PER MANUFACTURER'S SPECIFICATIONS. USE ONLY ACCEPTABLE MARLITE ACCESSORIES.
 - EXISTING MARLITE PANELING TO REMAIN AND REPAIR AS NEEDED WITH MATCHING PANELS.
 - EXISTING MARLITE PANELING TO BE REPAIRED AS NEEDED THEN PAINTED P-2(C) - REFER TO SPECIFICATIONS ON PROPER PRIMER, REPAIR & COATING INSTRUCTIONS.
 - SEE FINISH MATERIAL/COLOR LEGEND FOR NEW MARLITE BRAND PANELS (WP-6)
 - GAHK-2X6-P1E-WOOD BASEBOARD AT COOLER/FREEZER PANELS & METAL STUD WALLS IN REAR AREA, TOP AND BOTTOM. PAINTED WITH P-4(E).
 - ALL GYPSUM WALLBOARD TO BE TAPED, MUDDED AND SANDED (PAINT READY).
 - GENERAL CONTRACTOR SHALL PAINT FIRE LANES IN REAR AREAS, IF REQUIRED.
 - NEW MILLWORK LAMINATE TO BE WILSONART #4842-66 "CANYON ZEPHYR" MATTE FINISH. REFER TO A4.06. PAINT SUPPORTS P-15(B). NEW LAMINATE IN NON-CUSTOMER FACING OFFICES TO BE FORMICA #889-58 "DESERT BEIGE" MATTE FINISH. REFER TO A4.06. PAINT SUPPORTS P-15(B).
 - REFER TO A4.03 & A2.02 FOR RESTROOM TILE & DELI-BAKERY TILE.
 - DOORS AND FRAMES TO BE PAINTED P-3(B), UNLESS OTHERWISE NOTED. (EXCEPT ALUM. STOREFRONT DOORS & WINDOWS)
 - ALL WOOD TRIM ADJACENT TO OR CASINGS AROUND DOORS, WINDOWS, TOP OF MARLITE, OPENINGS TO BE REMOVED.
 - ALL WOOD TRIM AT CEILINGS TO BE PAINTED P-3(A).
 - RESINOUS DECORATIVE FLOORING SHALL BE PURCHASED FROM DUR-A-FLEX INC. (CONTACT: KEVIN STEPHENS 919-208-8662), OR PROTECTIVE INDUSTRIAL POLYMERS (CONTACT: STEVE McCAMEY AT 804-937-5000).
 - PROVIDE 1/2" GYP. BD. OVERLAY ON EXISTING CEILING FINISH. TAPE, MUD, SAND AND PREP FOR NEW PAINT AS INDICATED. TEMPORARILY UN-INSTALL EXISTING LIGHT FIXTURE AS REQUIRED TO INSTALL OVERLAY.
 - PRE-FAB COOLER/FREEZER PANELS AND DOORS TO BE PAINTED P-18(E). COORDINATE PAINT METHOD W/ FOOD LION CONSTRUCTION MANAGER.
 - COORDINATE WITH FOOD LION CONSTRUCTION MANAGER FOR PAINTING OF WALLS, DOORS & FRAMES.
 - PROVIDE 4" HIGH FIRE RETARDANT (FRT) PLYWOOD WITH FRP-2X6 WOOD BASE @ EXPOSED COOLER/FREEZER WALLS - PAINT BASE PER NOTE #2 AND LEAVE PLYWOOD UNFINISHED.
 - ALL WALLS BELOW 8' WITHOUT WALL PANELING SHALL BE PAINTED WITH P-7(A), EXCEPT THE SALES FLOOR WILL RECEIVE NEW WALL COVERING (SEE A2.02).
 - SAFE AND SAFE TRIM TO BE PAINTED P-3(B) ON SALES AREA SIDE AND P-15(B) ON WORK ROOM SIDE (HAND MACHINE ROLLED NOT BRUSHED).
 - ALL SALES FLOOR GWB WALLS TO RECEIVE SHERWIN WILLIAMS PROBLOCK OIL BASED PRIMER PRIOR TO PAINTING - SALES FLOOR ONLY.
 - REMOVE 2X6 WOOD BASE. APPLY RESINOUS FLOORING DIRECTLY TO CMU, FRP AND DOOR WALLS. RESINOUS COVE BASE TO MATCH HEIGHT OF REMOVED WOOD BASE.
 - SALES AREA COLUMNS TO BE SANDED, PRIMED & PAINTED P-7(B) EPOXY. DO NOT PAINT STAINLESS STEEL WRAPS.
 - CONFERENCE ROOM CARPET TO VCT TRANSITION STRIP TO BE ARMSTRONG VF-666 (BLACK).

FINISH MATERIAL/ COLOR LEGEND:

- FLOORS:** (SEE SHEETS A1.05 FOR SPECIFIC MATERIALS)
- RESINOUS:**
- R-1 RESINOUS TOPPING - COLOR FOOD LION #FL105. SEE FINISH SCHEDULE NOTE #10.
 - R-2 RESINOUS TOPPING - COLOR FOOD LION #FL106. SEE FINISH SCHEDULE NOTE #10.
 - R-3 RESINOUS TOPPING - COLOR FOOD LION #FL104. SEE FINISH SCHEDULE NOTE #10.
- CARPET:**
- CPT-1 CARPET - PORTICO DIPLOMAT "MINK"
 - CPT-2 CARPET - MOHAWK RESTORE "EMERGE #358"
 - CPT-3 CARPET - OAK CHARCOAL #4307
- CONCRETE:**
- CS CONCRETE SEALER
- QUARRY TILE:**
- QT QUARRY TILE
- PORCELAIN TILE:**
- PT PORCELAIN/ CERAMIC TILE
 - PT-1 REMINISCENT SERIES "RECLAIMED GRAY" RM23 UNPOLISHED 12"x24", DAL TILE. SEE (G9) FOR GROUT DETAILS. RUNNING BOND PATTERN 1/3 OVERLAP
 - PT-2 UNITY COLORBODY "ASHGRAY" P405 12"x24", DAL TILE. SEE (G6) FOR GROUT DETAILS. RUNNING BOND PATTERN 1/3 OVERLAP
- CERAMIC TILE:**
- CT-1 DAL TILE - "HEATHLAND SERIES, "AMBER HLO3" 12"x12" GLAZED CERAMIC FLOOR TILE (SEE G10 FOR GROUT DETAILS)
- VINYL TILE:**
- VCT-1 VINYL COMPOSITION TILE ARMSTRONG RAFFA-COCOCA 55805 12"x24"
 - VCT-2 VINYL COMPOSITION TILE - EXCELON IMPERIAL TEXTURE "EARTHSTONE GREIGE" 12"x12"
 - VCT-3 VINYL COMPOSITION TILE - EXCELON IMPERIAL TEXTURE "ANTIQUE WHITE" 12"x12"
 - VCT-4 VINYL COMPOSITION TILE ARMSTRONG RAFFA STREAM -EARTH 55926 12"x24"
- OTHER:**
- WM WALK-OFF MAT-PORTICO SYSTEMS "DIPLOMAT"
 - MTP METAL TREAD PLATE
- BASE:**
- R-1 RESINOUS TOPPING, FL105, TURNED UP WALL. SEE SHEET A3.01.
 - R-2 RESINOUS TOPPING, FL106, TURNED UP WALL. SEE SHEET A3.01.
- PORCELAIN:**
- PTB PORCELAIN COVE TILE BASE
 - PTB-1 DAL TILE - REMINISCENT SERIES, "MEMENTO WHITE" #RM20 6"x12" (SEE G8 FOR GROUT DETAILS). 12"x12" TILE CUT IN FIELD TO CREATE 6"x12" TILE TO BE USED WITH SCHLUTER DILEX-EKH STAINLESS COVE BASE
 - PTB-2 UNITY COLORBODY "ASHGRAY" P405 6"x12", DAL TILE. SEE (G6) FOR GROUT DETAILS
- CERAMIC:**
- CTB-1 DAL TILE - AFFINITY SERIES, "EDGE AF02" P-4309 3"x12" (SEE G7 FOR GROUT DETAILS).
- VINYL:**
- VB-1 4" VINYL COVE BASE BY JOHNSONITE- MATTE BLACK 40
- OTHER:**
- CC CONCRETE CURB
 - EXIST EXISTING BASE
 - FRPB FRP BASE TRIM
 - MGBR MUDGUE BOX RAIL
 - MTPB METAL TREAD PLATE BASE
 - WD 2X6 P.T. WOOD
- CEILING:** (SEE SHEET A1.04)
- CEILING TILE:**
- ACT-1 2X4 ARMSTRONG HUMAQUARD PLUS IN PRELUDE XL GRID
 - ACT-2 2X4 2" FOAM DOUBLE SIDED FIBERLITE FRP PANEL BY NUDDO PRODUCTS
 - ACT-3 2X4 ARMSTRONG VINYL CLAD TILE IN PRELUDE XL GRID
- OTHER:**
- FRP FIBERGLASS REINFORCED PLASTIC
 - PGB PAINTED GYP. BD OR PLYWOOD. SEE A1.04 FOR SPECIFICATIONS.

- TRIM:**
- ST-1 SCHLUTER- DILEX-EKH EBHKU11-011 STAINLESS STEEL COVE BASE
 - ST-2 SCHLUTER- RONOEC R0100E STEEL TRIM
- ACROVYN:**
- CR-1 ACROVYN 4000 FR-225N ACCENT RAIL (BLACK)
- CERAMIC:**
- CP-1 CORIAN ARROW ROOT SS-01 (WALL CAP)
 - CP-2 CORIAN CULTURED MARBLE TOP "SAHARA"
- WALLS SURFACES:** (REFER TO SHEETS A2.02)
- CERAMIC:**
- CWT CERAMIC WALL TILE
 - CWT-1 DAL TILE - "DESERT GRAY" X114 6"x6". SEE (G2) FOR GROUT DETAILS
 - CWT-2 DAL TILE - "ARTIC WHITE" 0190 6"x6". SEE (G3) FOR GROUT DETAILS
 - CWT-3 DAL TILE - AFFINITY SERIES "EDGE AF02" 10x14" SEE (G7) FOR GROUT DETAILS
 - CWT-4 DAL TILE - BRIVION SERIES "MUSHROOM" BX03 9"x12" (MATCH EXISTING GROUT).
 - CWT-5 DAL TILE - "URBAN PUTTY" 0161 SEMI-GLOSS 4"x12" SEE G7 FOR GROUT DETAILS
 - CWT-6 DAL TILE - "URBAN PUTTY" 0161 MATTE 4"x12" SEE G7 FOR GROUT DETAILS
 - CWT-7 DAL TILE - "ARCHITECTURAL GRAY" 0109 SEMI-GLOSS 6"x6" SEE G7 FOR GROUT
 - CWT-8 DAL TILE - "ARTISAN BROWN" 0144 SEMI-GLOSS 1"x6" SEE G7 FOR GROUT DETAILS
- PORCELAIN:**
- PWT PORCELAIN WALL TILE
 - PWT-1 DAL TILE - REMINISCENT SERIES "MEMENTO WHITE" RM20 UNPOLISHED 12"x12". SEE (G8) FOR GROUT DETAILS
- WALL PANELS:**
- WP-1 MARLITE PANEL WHEAT #5347-54
 - WP-2 MARLITE PANEL COOL #194
 - WP-3 MARLITE PANEL LAREDO OAK #324-S2
 - WP-4 MARLITE PANEL PLANTATION OAK #323-S2
 - WP-5 MARLITE PANEL PAINTABLE WHITE #1001-BIG2
 - WP-6 MARLITE PANEL MORNING HAZE #5446-S2
 - WP-7 PEARL GRAY ACROVYN WALL COVERING
 - WP-8 DESERT SAND #102 ACROVYN WALL COVERING
 - WP-9 MARLITE FRP WHITE P-100
 - WP-10 MARLITE FRP ALMOND P-118
 - WP-11 MONTEREY SAND #54-08-54 MARLITE PANEL
- OTHER EXIST:**
- FRP EXISTING WALL SURFACE/MATERIAL
 - GWB FIBERGLASS REINFORCED PLASTIC GYPSUM WALLBOARD
- PAINT:** (REFER TO A2.02)
- P-1 PAINT "SOFTER TAN" SW6141
 - P-2 PAINT "ELLIE GRAY" SW7650
 - P-3 PAINT "MACADAMIA" SW6142
 - P-4 PAINT "PURE WHITE" SW7005
 - P-5 PAINT "ORGANIC GREEN" SW6732
 - P-6 PAINT "GRIZZLE GRAY" SW7068
 - P-7 PAINT "MARSHMALLOW" SW7001
 - P-8 PAINT "HIGHWAY TRAFFIC WHITE"
 - P-9 PAINT "POPULAR GRAY" SW6071
 - P-10 PAINT "TONY TAUPE" SW7038
 - P-11 PAINT "ENDURING BRONZE" SW7055
 - P-12 PAINT "TRAFFIC YELLOW"
 - P-13 PAINT "MEDITATIVE" SW6227
 - P-14 PAINT "INKWELL" SW6992
 - P-15 PAINT "MEGA GREIGE" SW7031
 - P-16 PAINT "ANEW GRAY" SW7030
 - P-17 PAINT "ROMAN COLUMN" SW7562
 - P-18 PAINT "SMOKEY BEIGE" SW9087
 - P-19 PAINT "WORLDLY GRAY" SW7043
 - P-20 PAINT "BASKET BEIGE" SW6193
- PLASTIC LAMINATE:**
- PL-1 WILSONART "CANYON ZEPHYR" (MATTE FINISH)
 - PL-2 FORMICA "DESERT BEIGE" (MATTE FINISH)
 - PL-3 FORMICA "TRAVERTINE" #3526-58

INTERIOR WALL FINISH PAINTING LEGEND:

- (A) EG-SHEL
- (B) SEMI-GLOSS
- (C) LOW GLOSS
- (D) FLAT
- (E) ELECTROSTATIC

INTERIOR WALL GROUT FINISH LEGEND:

- (G1) TO USE GROUT: CUSTOM BUILDING PRODUCTS "TRUFFLE" #540
 - (G2) TO USE GROUT: CUSTOM BUILDING PRODUCTS "OYSTER GRAY" #386
 - (G3) TO USE GROUT: CUSTOM BUILDING PRODUCTS "NEW TAUPE" #185
 - (G4) TO USE GROUT: CUSTOM BUILDING PRODUCTS "BONE" #382
 - (G5) TO USE GROUT: CUSTOM BUILDING PRODUCTS "OYSTER" #381
 - (G6) TO USE GROUT: CUSTOM BUILDING PRODUCTS "NATURAL" #09
 - (G7) TO USE GROUT: CUSTOM BUILDING PRODUCTS "LINEN" #122
 - (G8) TO USE GROUT: CUSTOM BUILDING PRODUCTS "CAPE GRAY" #546
 - (G9) TO USE GROUT: CUSTOM BUILDING PRODUCTS "WINTER GRAY" #355
 - (G10) TO USE GROUT: CUSTOM BUILDING PRODUCTS "SAHARA TAN" #22
- NOTE: USE A 1/16" JOINT FOR CERAMIC TILE. USE A 3/16" JOINT FOR PORCELAIN TILE. ALL FLOOR TILE GROUT SHALL BE CEG-IG 100X SOLIDS INDUSTRIAL GRADE EPOXY GROUT BY CUSTOM BUILDING PRODUCTS (COLOR AS INDICATED IN DRAWINGS).



INTERPLAN PLLC
P-0215

ARCHITECTURE
ENGINEERING
PERMITTING

220 E. CENTRAL PKWY, STE 4000
ALTAMONTE SPRINGS, FL 32701
407.845.5008

ARCHITECTS SEAL:



CORPORATE SEAL:



ENGINEER'S SEAL:

REVISIONS
NO DATE REMARKS



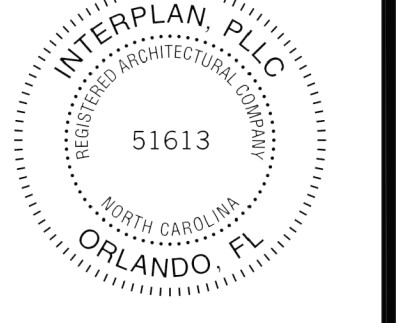
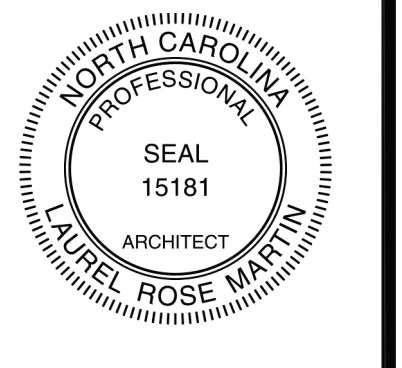
2110 Executive Drive, Salisbury, NC 28147
Telephone: 704.632.8250
Food Lion is an ANOLD DELHAIZE company.

FOOD LION
REMODEL
STORE #1237
133 MITTIE HADDOCK DRIVE
CAMERON, NC, 28326

PROJECT NO: 2023.0026
DATE: 09/06/23

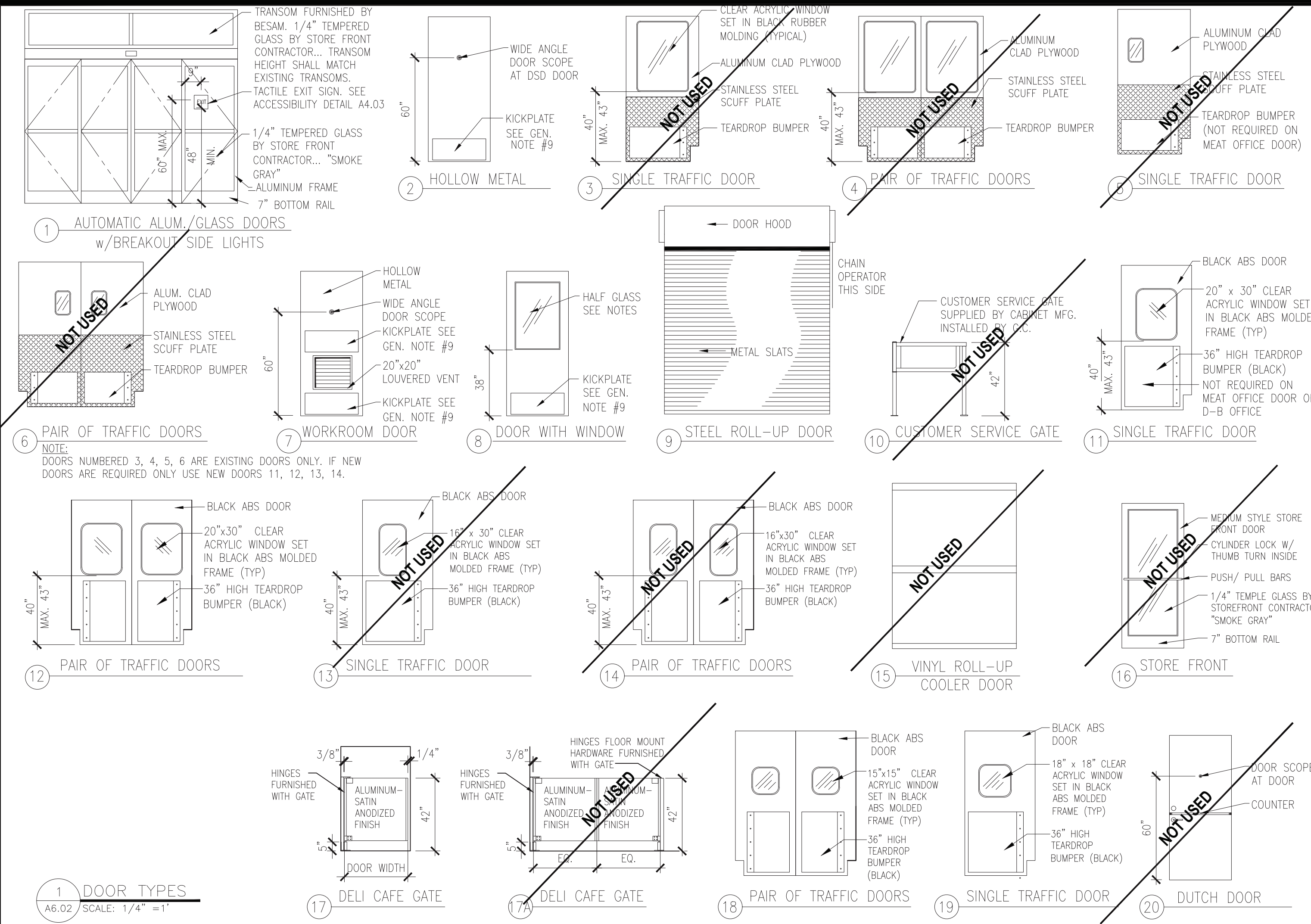
21 OF 43
A6.01
ROOM FINISH SCHEDULE

CHECKED: EC DRAWN: AM



DOOR SCHEDULE (***) INDICATES EXISTING DOOR)

NOTE: HARDWARE PACKAGES ARE BASED ON PROJECT SPECIFICATIONS BOOK. THE CONDITION OF ALL EXISTING HARDWARE SHALL BE VERIFIED BY THE FOOD LION CONSTRUCTION SUPERVISOR AT THE TIME WALK-THROUGH										REMARKS: 1. AT NEW EGRESS DOORS, ELECTRICAL CONTRACTOR TO SUPPLY & INSTALL JUNCTION BOX FOR SECURITY ALARM (IF NOT EXISTING) BEFORE DOOR FRAME IS SET. 2. THE GENERAL CONTRACTOR SHALL SUPPLY AND INSTALL THE EXIT DEVICE PURCHASED FROM BA HOFT 919-596-4446. EXIST DEVICE SHALL BE: VON DUPRIN CX990E-LE. NO SUBSTITUTION (POWER AND TIME DELAY SUPPLIED AND ACTIVATED BY OTHERS). 3. ALL ACCESSIBLE DOORS SHALL HAVE HANDLES, PULLS, LATCHES, LOCKS AND OTHER OPERABLE PARTS WITH A SHAPE THAT IS EASY TO GRASP WITH ONE HAND AND DOES NOT REQUIRE TIGHT GRASPING, TIGHT PINCHING, OR TWISTING OF THE WRIST TO OPERATE.									
NO	SIZE	LOCATION	RM	HRDW	TYP	FRAME	HEAD	JAMB	SILL	FRAME COLOR	DOOR FINISH	NOTES AND COMMENTS							
100A*	PR 2'-6"x7'-0"x1 3/4" F.B.O.	EXISTING VESTIBULE EXIT	100	EXIST	1	EXIST	EXIST	EXIST	EXIST	FACTORY	FACTORY	SEE DOOR SCHEDULE NOTES #2,12							
100B*	PR 2'-6"x7'-0"x1 3/4" F.B.O.	EXISTING VESTIBULE EXIT	100	EXIST	1	EXIST	EXIST	EXIST	EXIST	FACTORY	FACTORY	SEE DOOR SCHEDULE NOTES #2,12							
102*	3'-0"x7'-0"x1 3/4"	EXISTING WORK ROOM	102	EXIST	7	EXIST	EXIST	EXIST	EXIST	P-3(B)	P-3(B)	SEE DOOR SCHEDULE NOTES #9,10,12,18							
103*	3'-0"x7'-0"x1 3/4"	EXISTING RISER ROOM	103	EXIST	2	EXIST	EXIST	EXIST	EXIST	P-3(B)	P-3(B)	SEE DOOR SCHEDULE NOTES #9,10,12,18							
104*	3'-0"x7'-0"x1 3/4"	EXISTING CORRIDOR EXIT	104	EXIST	2	EXIST	EXIST	EXIST	EXIST	P-3(B), EXT TO MATCH ADJACENT	P-3(B), EXT TO MATCH ADJACENT	SEE DOOR SCHEDULE NOTES #9,10,12,17, 20							
105*	3'-0"x7'-0"x1 3/4"	EXISTING MEN'S RESTROOM	105	EXIST	2	EXIST	EXIST	EXIST	EXIST	P-3(B)	P-3(B)	SEE DOOR SCHEDULE NOTES #9,10,11,12,18							
106*	3'-0"x7'-0"x1 3/4"	EXISTING WOMEN'S RESTROOM	106	EXIST	2	EXIST	EXIST	EXIST	EXIST	P-3(B)	P-3(B)	SEE DOOR SCHEDULE NOTES #9,10,11,12,18							
107A*	PR 3'-0"x7'-7"x1 3/4"	EXISTING GROCERY STAGING / RECEIVING ROOM	107	EXIST	18	EXIST	EXIST	EXIST	EXIST	P-3(B)	FACTORY	SEE DOOR SCHEDULE NOTES #3,10,12,14							
107B*	4'-0"x7'-0"x1 3/4"	EXISTING GROCERY STAGING / RECEIVING ROOM EXIT	107	EXIST	2	EXIST	EXIST	EXIST	EXIST	P-3(B), EXT TO MATCH ADJACENT	P-3(B), EXT TO MATCH ADJACENT	SEE DOOR SCHEDULE NOTES #9,10,12,17, 20							
107C*	8'-0"x8'-6"	EXISTING GROCERY STAGING / RECEIVING ROOM	107	EXIST	9	EXIST	EXIST	EXIST	EXIST	FACTORY	FACTORY	SEE DOOR SCHEDULE NOTES #13							
107D*	8'-0"x8'-6"	EXISTING GROCERY STAGING / RECEIVING ROOM	107	EXIST	9	EXIST	EXIST	EXIST	EXIST	FACTORY	FACTORY	SEE DOOR SCHEDULE NOTES #13							
108*	3'-0"x7'-0"x1 3/4"	EXISTING LOUNGE	108	EXIST	8	EXIST	EXIST	EXIST	EXIST	P-3(B)	P-3(B)	SEE DOOR SCHEDULE NOTES #9,10,11,12,18							
109*	3'-0"x7'-0"x1 3/4"	EXISTING ASSOCIATES TRAINING ROOM	109	EXIST	8	EXIST	EXIST	EXIST	EXIST	P-3(B)	P-3(B)	SEE DOOR SCHEDULE NOTES #9,10,11,12,18							
110*	7'-0"x8'-0"x1 3/4"	EXISTING MECHANICAL ROOM	110	EXIST	2	EXIST	EXIST	EXIST	EXIST	P-3(B)	P-3(B)	SEE DOOR SCHEDULE NOTES #9,10,12,18							
110A*	6'-0"x8'-0"x1 3/4"	EXISTING MECHANICAL ROOM #2	110 A	EXIST	2	EXIST	EXIST	EXIST	EXIST	P-3(B)	P-3(B)	SEE DOOR SCHEDULE NOTES #9,10,12,18							
111*	3'-0"x7'-0"x1 3/4"	EXISTING JANITOR'S CLOSET	111	EXIST	2	EXIST	EXIST	EXIST	EXIST	P-3(B)	P-3(B)	SEE DOOR SCHEDULE NOTES #9,10,12,18							
112A*	3'-6"x7'-3"x1 3/4"	EXISTING MEAT PREP	112	EXIST	11	EXIST	EXIST	EXIST	EXIST	P-3(B) SALES/ P-4(B) MEAT	FACTORY	SEE DOOR SCHEDULE NOTES #3,10,12,14							
112B*	PR 3'-0"x7'-7"x1 3/4"	EXISTING MEAT PREP	112	EXIST	18	EXIST	EXIST	EXIST	EXIST	P-3(B) STAGING/ P-4(B) MEAT	FACTORY	SEE DOOR SCHEDULE NOTES #3,10,12,14							
113*	3'-0"x7'-0"x1 3/4"	EXISTING MEAT OFFICE	113	EXIST	19	EXIST	EXIST	EXIST	EXIST	P-4(B)	FACTORY	SEE DOOR SCHEDULE NOTES #3,10,12,14							
114*	3'-0"x6'-8"x1 3/4"	EXISTING DEPARTMENT MANAGER'S OFFICE	114	EXIST	8	EXIST	EXIST	EXIST	EXIST	P-3(B)	P-3(B)	SEE DOOR SCHEDULE NOTES #9,10,11,12,18							
115A*	PR 3'-0"x7'-7"x1 3/4"	EXISTING PRODUCE PREP	115	EXIST	12	EXIST	EXIST	EXIST	EXIST	P-3(B) STAGING/ P-4(B) PRODUCE	FACTORY	SEE DOOR SCHEDULE NOTES #3,10,12,14							
115B*	3'-0"x7'-0"x1 3/4"	EXISTING PRODUCE PREP EXIT	115	EXIST	2	EXIST	EXIST	EXIST	EXIST	P-4(B), EXT TO MATCH ADJACENT	P-4(B), EXT TO MATCH ADJACENT	SEE DOOR SCHEDULE NOTES #9,10,12,17, 20							
115C*	PR 3'-0"x7'-7"x1 3/4"	EXISTING PRODUCE PREP	115	EXIST	18	EXIST	EXIST	EXIST	EXIST	P-3(B) SALES/ P-4(B) PRODUCE	FACTORY	SEE DOOR SCHEDULE NOTES #3,10,12,14							
116	3'-0"x3'-6"x1 3/4"	EXISTING DELI/ BAKERY PREP	116	NEW ALUM	17	EXIST	-	-	-	FACTORY	FACTORY	SEE DOOR SCHEDULE NOTE #1- FLOOR MOUNTED							
116A	3'-0"x3'-6"x1 3/4"	EXISTING DELI/ BAKERY PREP	116 A	NEW ALUM	17	EXIST	-	-	-	FACTORY	FACTORY	SEE DOOR SCHEDULE NOTE #1- FLOOR MOUNTED							



DOOR SCHEDULE NOTES:

- REFER TO FOOD LION SPECIFICATIONS & NATIONAL ACCOUNT REFERENCES FOR DOOR MANUFACTURERS.
- GENERAL CONTRACTOR SHALL VERIFY ALL AUTOMATIC SLIDING DOOR OPENINGS WITH THE MANUFACTURER OR CONTRACTOR.
- ALL PREP TRAFFIC DOORS TO RECEIVE "TEAR-DROP" BUMPERS ON BOTH SIDES OF THE DOOR. BUMPERS SUPPLIED BY DOOR MANUFACTURER.
- NEW TRAFFIC DOORS TO RECEIVE GASKETS AROUND DOOR PERIMETER. GASKETS SUPPLIED BY DOOR MANUFACTURER. (REFER TO SCOPE OF WORK)
- STORE NUMBER TO BE STENCILED (4" HIGH) TO TRUCK DRIVERS (DSD) DOOR IN PAINT COLOR CONTRASTING TO COLOR OF DOOR.
- DOOR SCOPE TO BE PART NO. SOLO1 FROM WARNOK-HERSEY HARDWARE DISTRIBUTOR, (800) 632-1324.
- PROVIDE 1/4" WIRE GLASS IN HALF GLASS DOOR WINDOW, APPLICABLE TO ALL OFFICES.
- ALL EXTERIOR GLAZING @ AUTO DOORS TO BE 1/4" TEMPERED GLASS (COLOR REFER TO GLAZING SCHEDULE), TO BE PROVIDED BY STOREFRONT CONTRACTOR.
- GENERAL CONTRACTOR SHALL INSTALL KICKPLATES ON BOTH SIDES OF ALL HOLLOW METAL DOORS. (EXCEPTION- EXTERIOR SIDE EXTERIOR DOORS). REPLACE MISSING AND DAMAGED KICKPLATES.
- THE GENERAL CONTRACTOR SHALL SAND, CLEAN, AND REPAINT ALL EXISTING HOLLOW METAL DOORS & FRAMES SCHEDULED FOR REUSE. THE GENERAL CONTRACTOR SHALL FURNISH NEW HOLLOW METAL FRAMES FOR THOSE DOORS TO BE RELOCATED. DOOR HARDWARE TO BE BROUGHT UP TO CURRENT FOOD LION STANDARDS. ALL EXTERNAL DOOR SWEEPS WILL BE REPLACED WITH PEMKO #18100CNB84. CONTRACTOR INSTALL & ORDER NEW DELAY EGRESS STICKERS FROM BA HOFT ONCE DOORS REPAINTED.
- GENERAL CONTRACTOR SHALL INSTALL NEW DOOR SILENCERS ON ALL DOORS (AFTER PAINTING) AND COMMERCIAL GRADE KICK DOWNS ON ALL INTERIOR HOLLOW METAL DOORS. (EXCEPT WORKROOM WITH SAFE).
- THE GENERAL CONTRACTOR SHALL VERIFY CONDITION OF ALL DOORS AND COORDINATE THE REUSE WITH THE FOOD LION CONSTRUCTION MANAGER.
- DOCK DOORS, SEALS, DOCK LEVELER AND EQUIPMENT SHALL BE ORDERED FROM OVERHEAD DOOR AS PER FOOD LION SPECIFICATIONS. REFER TO NATIONAL ACCOUNT REFERENCE INFORMATION, SCOPE OF WORK, & COORDINATE W/ FOOD LION CONSTRUCTION MANAGER.
- TRAFFIC DOORS TO BE ORDERED FROM CHASE DURAS AT HEFCO. REFER TO NATIONAL ACCOUNT INFORMATION.
- HOLLOW METAL DOORS, FRAMES AND HARDWARE SHALL BE ORDERED FROM B.A. HOFT. GENERAL CONTRACTOR MUST ORDER NEW DELAY EGRESS STICKERS FROM B.A. HOFT ONCE THE DOORS ARE REPAINTED. REFER TO NATIONAL ACCOUNT INFORMATION.
- ALL JAMB GUARDS, MISC ALUMINUM, STAINLESS STEEL, ETC BREAK METAL ITEMS SHALL BE FIELD VERIFIED, FABRICATED AND INSTALLED GENERAL CONTRACTOR.
- GENERAL CONTRACTOR SHALL REPLACE MISSING OR DAMAGED WEATHER-STRIPPING, SWEEPS & NEW STYLE CARPET THRESHOLDS ON ALL EXTERIOR DOORS, ROLL-UP DOORS 5-3/8" BRUSH GASKET-MFR/MODEL: JHD15642 BY NATIONAL GUARD.
- G.C. TO ADJUST INTERIOR DOOR CLOSERS SO THAT NO MORE THAN 5 LBS OF FORCE IS REQUIRED TO OPERATE AND SO THAT DOORS GO FROM 90 DEGREE OPEN TO 12 DEGREE OPEN IN 5 SECONDS MIN.
- REVERSE DOOR SWING USING ALUMINUM CONTINUOUS GEARED HINGE MODEL# A571HD BY ARCHITECTURAL BUILDERS HARDWARE MFG. INC. PATCH EXISTING HARDWARE CUT-OUTS IN DOOR FRAME.
- EXTERIOR SIDE OF DOOR/FRAME TO BE PREPPED FOR PAINT AND REPAINTED TO MATCH EXISTING COLOR.

REVISIONS

NO	DATE	REMARKS



FOOD LION
REMODEL
STORE #1237
133 MITTIE HADDOCK DRIVE
CAMERON, NC, 28326

PROJECT NO: 2023.0026
DATE: 09/06/23

22 OF 43
A6.02
WINDOW AND DOOR FINISH
SCHEDULES

CHECKED: EC DRAWN: AM

HIGGENBOTHAM
Engineering, Inc.

Structural Engineers
Professional Seal
Member, Florida Board of
Professional Engineers
License No. 10728
Phone: 407.238.2283
FAX: 407.238.2283
ENGINEERING FIRM C-3882

ENGINEER'S SEAL:

HAROLD G. HIGGENBOTHAM, P.E.
NORTH CAROLINA LIC. NO. 833075

REVISIONS
NO. DATE REMARKS

FOOD LION

2110 Executive Drive, Salisbury, NC 28147
Telephone: 704.633.8250
Food Lion is an ANOLD BELMONT company.

FOOD LION
REMODEL
STORE #1237
133 MITTIE HADDOCK DRIVE
CAMERON, NC, 28326

PROJECT NO: 2023.0026
DATE: 09/06/23

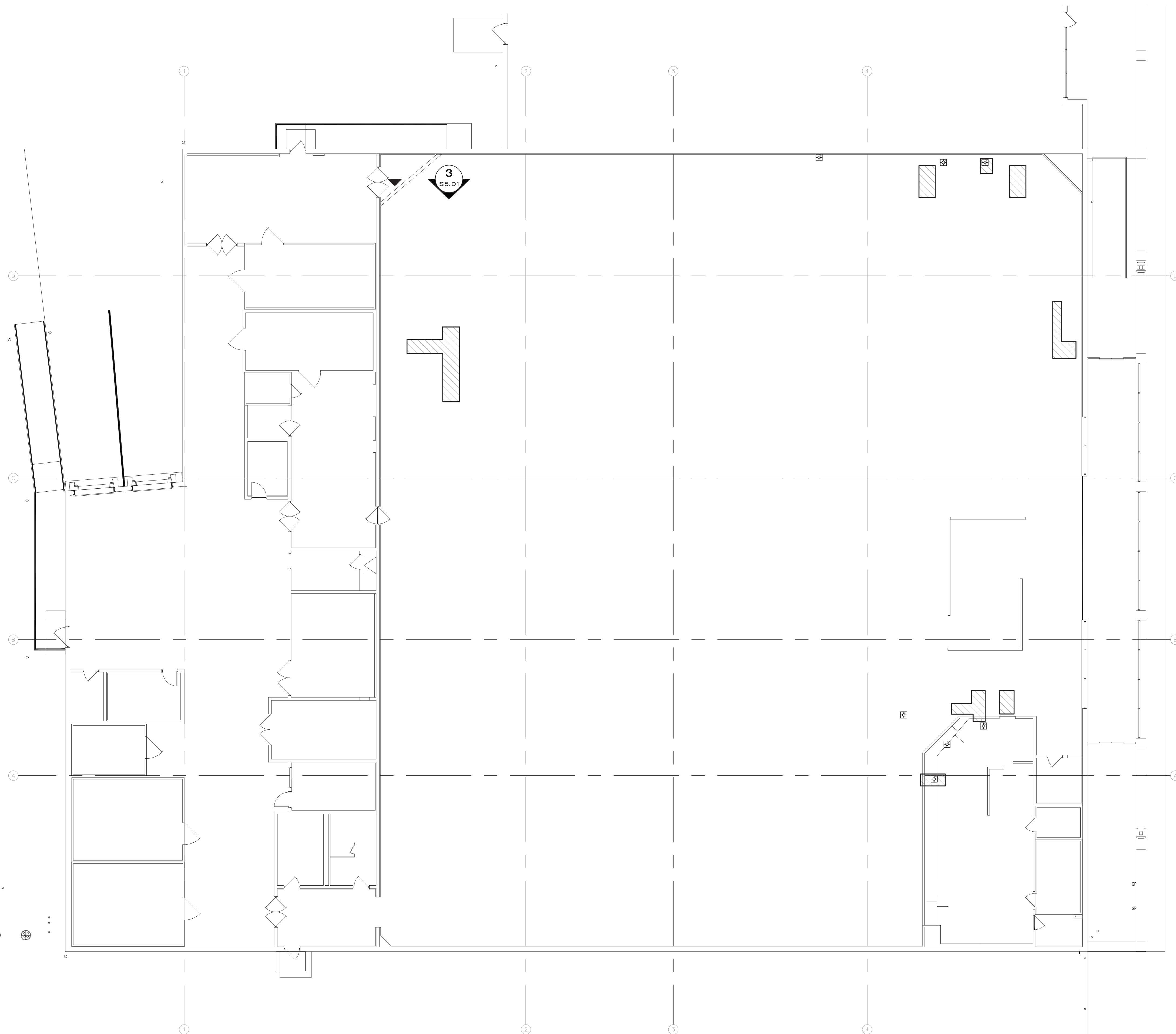
23 OF 43

S1.01

STRUCTURAL SLAB
PLAN

CHECKED: HGH DRAWN: RED

COPYRIGHT © 2023 INTERPLAN PLLC. ALL RIGHTS RESERVED. THESE DOCUMENTS ARE THE PROPERTY OF INTERPLAN PLLC. NO PART OF THESE DOCUMENTS MAY BE REPRODUCED OR TRANSMITTED IN ANY FORM OR BY ANY MEANS, ELECTRONIC OR MECHANICAL, WITHOUT THE WRITTEN PERMISSION OF INTERPLAN PLLC.

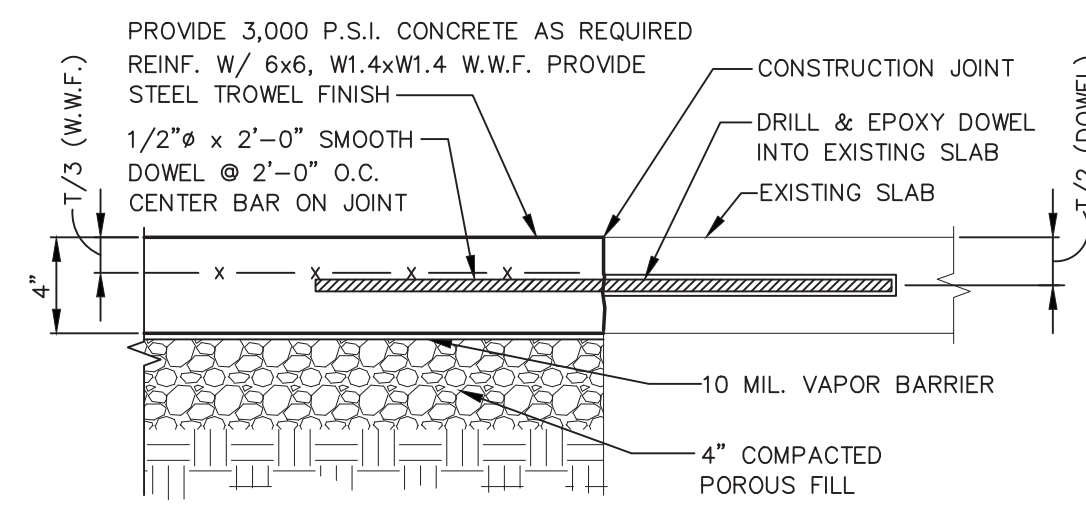


STRUCTURAL SLAB PLAN
SCALE: 3/32" = 1'-0"
NORTH

- FOUNDATION NOTES:**
- 1.) TOP OF EXISTING SLAB = 0'-0" FIELD VERIFY. 0'-0" IS FOR REFERENCE ONLY.
 - 2.) SEE ARCHITECTURAL DRAWINGS FOR DIMENSIONS NOT SHOWN.
 - 3.) SEE ARCH. AND MECH FOR ALL SLEEVER PIPES, INSERTS AND EMBEDDED ITEMS.
 - 4.) SEE ARCH. FOR SLOPES AND RECESSES.
 - 5.) [Symbol] DENOTES APPROX. LIMITS OF CONC. SLAB REPLACEMENT, SEE ARCH FOR LOCATION AND EXTENTS. WHERE REQUIRED, PROVIDE NEW 4" THICK CONCRETE SLAB ON GRADE REINF. W/6X6 W1.4 x W1.4 WWF, ON 10 MIL VAPOR BARRIER ON 4" COMPACTED POROUS BASE, ON COMPACTED FILL PER GEOTECHNICAL ENGINEER'S RECOMMENDATIONS. DOWEL NEW SLAB INTO EXIST. SLAB PER SECTION 1/SS.01.
 - 6.) [Symbol] DENOTES RECESS TOP OF NEW CONCRETE SLAB TO ALLOW TOP OF QUARRY TILE TO MATCH TOP OF ADJACENT SLAB. SEE 2/SS.01.
 - 7.) [Symbol] DENOTES SLAB INFILL AT EXISTING HUB DRAIN. SEE ARCH FOR LOCATION AND EXTENTS. PROVIDE NEW 4" MIN. THICK CONCRETE SLAB ON GRADE ON 10 MIL VAPOR BARRIER ON 4" COMPACTED POROUS BASE, ON COMPACTED FILL PER GEOTECHNICAL ENGINEER'S RECOMMENDATIONS. ROUGHEN SIDES OF EXISTING SLAB OPENING AND APPLY BONDING AGENT PRIOR TO PLACING NEW CONCRETE.

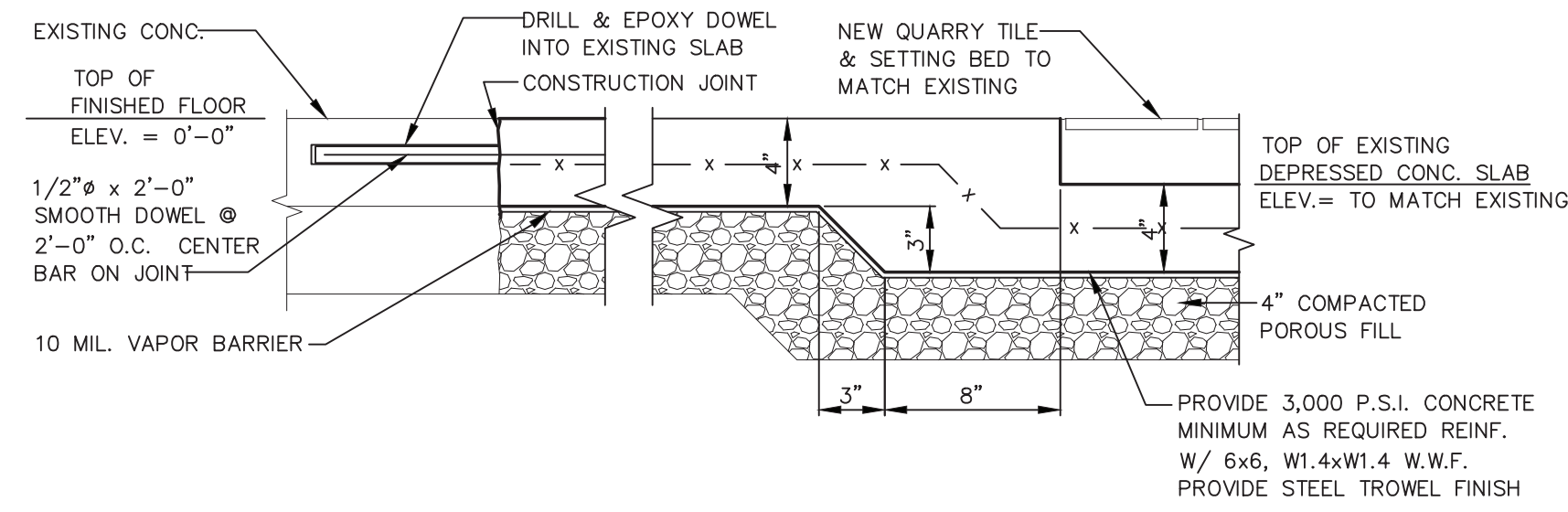
NOTE: SEE ARCH FOR EXTENTS OF DEMOLITION

EXISTING STRUCTURAL MEMBERS:
THE GENERAL CONTRACTOR SHALL FIELD VERIFY LOCATIONS, DIMENSIONS, ELEVATIONS, AND CONDITION OF ALL PERTINENT EXISTING STRUCTURAL MEMBERS, (CONCEALED AND EXPOSED) PRIOR TO FABRICATION AND CONSTRUCTION. THE GENERAL CONTRACTOR SHALL NOTIFY THE ARCHITECT AND STRUCTURAL ENGINEER OF RECORD AND FOOD LION CONSTRUCTION SUPERVISOR OF ANY DISCREPANCIES A MINIMUM OF 48 HOURS IN ADVANCE PRIOR TO CONSTRUCTION, TO ALLOW FOR MODIFICATION OF DESIGN PER UNFORESEEN FIELD CONDITIONS



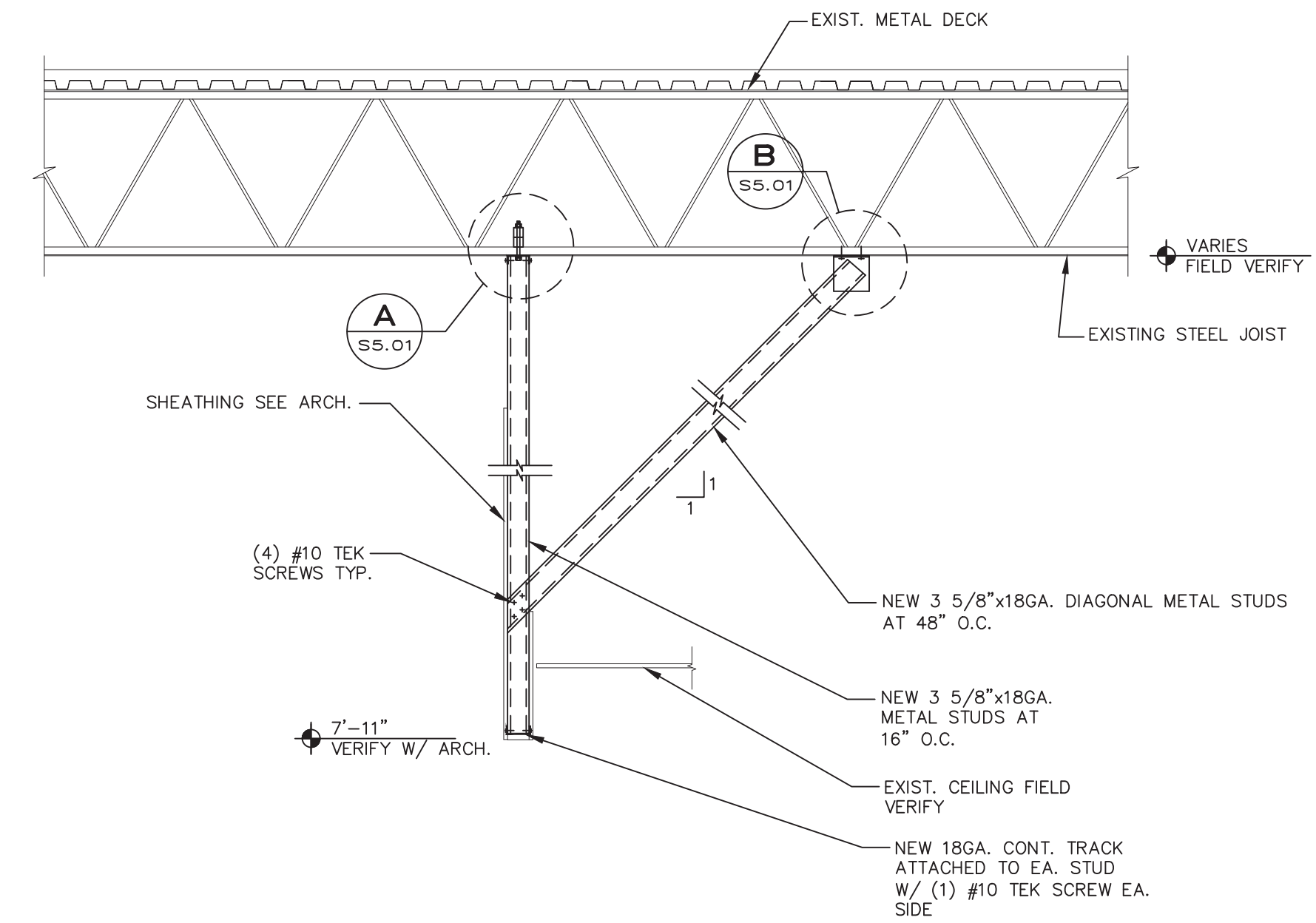
SLAB JOINT DETAIL

DETAIL 1
 1-1/2" = 1'-0"
 S5.01



DEPRESSED SLAB JOINT DETAIL

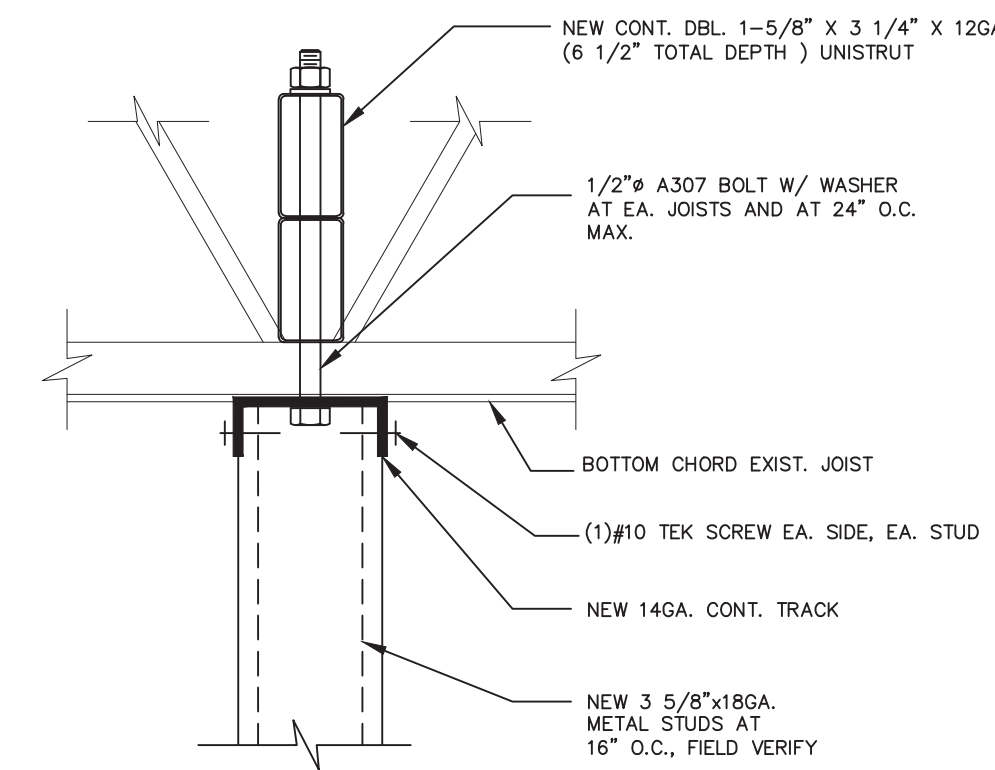
DETAIL 2
 1-1/2" = 1'-0"
 S5.01



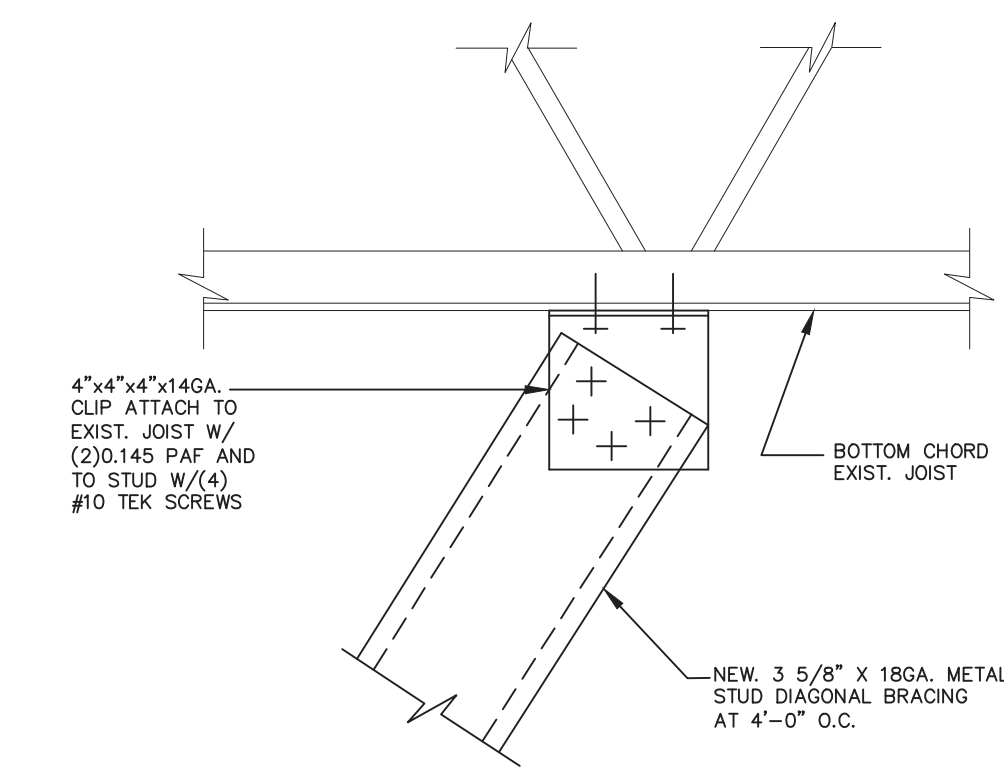
SALES AREA BULKHEAD
 PERPENDICULAR TO JOIST
 (SEE ARCH. FOR LOCATION AND EXTENTS)

SECTION 3
 1/2" = 1'-0"
 S5.01

SHORING NOTE:
 THE GENERAL CONTRACTOR SHALL PROVIDE SHORING FOR EXISTING BULKHEAD COMPONENTS. SHORING SHALL REMAIN IN PLACE UNTIL ALL NEW STRUCTURAL SUPPORTS AND CONNECTIONS ARE INSTALLED.



SECTION A
 NTS
 S5.01



SECTION B
 NTS
 S5.01

HIGGENBOTHAM
 Engineering, Inc.
 Structural Engineers
 3000 North Loop West
 Suite 1000
 Houston, Texas 77002
 Phone: 281.288.2228
 Fax: 281.288.2228
 ENGINEERING FIRM C-3882

ENGINEER'S SEAL:

HAROLD G. HIGGENBOTHAM, P.E.
 NORTH CAROLINA LIC. NO. 033075

REVISIONS
 NO. DATE REMARKS

FOOD LION
 2110 Executive Drive, Salisbury, NC 28147
 Telephone: 704.633.8250
 Food Lion is an ANOLD BELMONT company.

**FOOD LION
 REMODEL
 STORE #1237**
 133 MITTIE HADDOCK DRIVE
 CAMERON, NC, 28326

PROJECT NO: 2023.0026
 DATE: 09/06/23

24 OF 43

S5.01

STRUCTURAL DETAILS

CHECKED: HGH DRAWN: RED

GENERAL CONDITIONS:

- THE FOLLOWING NOTES SHALL APPLY TO ALL STRUCTURAL DRAWINGS.
- ALL DESIGN AND CONSTRUCTION SHALL BE BASED ON AND IN ACCORDANCE WITH THE 2024 NORTH CAROLINA BUILDING CODE AND ASCE7-16.
- THE GENERAL CONTRACTOR SHALL VERIFY ALL DIMENSIONS AND SITE CONDITIONS AND NOTIFY THE ARCHITECT PRIOR TO FABRICATION AND CONSTRUCTION. FOR DIMENSIONS NOT SHOWN ON THE STRUCTURAL DRAWINGS, SEE THE ARCHITECTURAL DRAWINGS.
- IF MATERIAL QUANTITIES, STRENGTHS OR SIZES INDICATED BY THE DRAWINGS OR SPECIFICATIONS ARE NOT IN AGREEMENT WITH THESE NOTES, THE BETTER QUALITY AND/OR QUANTITY, STRENGTH OR NOTED SHALL BE PROVIDED.
- IT IS THE SOLE RESPONSIBILITY OF THE CONTRACTOR TO DETERMINE ERECTION PROCEDURE AND SEQUENCE TO ENSURE THE SAFETY OF THE STRUCTURE AND ITS COMPONENT PARTS DURING ERECTION. THIS INCLUDES, BUT IS NOT LIMITED TO, THE ADDITION OF TEMPORARY WHATEVER BRACING, GUYS, TIE-DOWNS OR SHORING MAY BE NECESSARY. SUCH MATERIAL SHALL BE REMOVED AND SHALL REMAIN THE PROPERTY OF THE CONTRACTOR AFTER THE COMPLETION OF THE PROJECT.
- IT SHALL BE THE SOLE RESPONSIBILITY OF THE CONTRACTOR FOR INITIATING, MAINTAINING AND SUPERVISING ALL SAFETY PROCEDURES. THE STRUCTURAL ENGINEER OF RECORD IS NOT RESPONSIBLE FOR MEANS AND METHODS OF CONSTRUCTION OR FOR RELATED SAFETY PROCEDURES.
- THE STRUCTURAL DRAWINGS ARE ONE DISCIPLINE OF THE CONTRACT DOCUMENTS AND DO NOT BY THEMSELVES CONTAIN ALL THE INFORMATION REQUIRED TO PROPERLY COMPLETE THE PROJECT STRUCTURE. THE GENERAL CONTRACTOR SHALL REFER TO THE ARCHITECTURAL, MECHANICAL, ELECTRICAL AND PLUMBING DRAWINGS AND COORDINATE THE INFORMATION INDICATED IN THESE CONSTRUCTION DOCUMENTS WITH THE STRUCTURAL DRAWINGS TO PROPERLY CONSTRUCT THE PROJECT.
- ALL DETAILS, SECTIONS AND NOTES INDICATED ON THE CONSTRUCTION DOCUMENTS ARE INTENDED TO BE TYPICAL AND SHALL APPLY TO SIMILAR SITUATIONS ELSEWHERE UNLESS OTHERWISE SHOWN.
- SPECIALTY ENGINEERED PRODUCTS
 - THE GENERAL CONTRACTOR IS RESPONSIBLE TO COORDINATE THE PROPER SUBMISSION OF SHOP DRAWINGS FOR SPECIALTY ENGINEERED PRODUCTS WHICH SHALL BE SIGNED AND SEALED BY A LICENSED PROFESSIONAL ENGINEER IN THE STATE WHERE THE PROJECT IS LOCATED. CONTRACTOR'S RESPONSIBILITY TO ASSURE THAT THE SPECIALTY ENGINEERED SHOP DRAWINGS ARE SUBMITTED IN A TIMELY MANNER SO AS TO ALLOW REVIEWS AND RESUBMISSIONS AS REQUIRED. ALL SPECIALTY ENGINEERED PRODUCTS SHALL BE DESIGNED FOR THE APPROPRIATE GRAVITY LOADS AND WIND LOADS INCLUDING UPLIFT AND LATERAL LOADS. INTERIOR SPECIALTY PRODUCTS SHALL BE DESIGNED FOR LATERAL LOADS TO ASSURE STABILITY. SPECIALTY ENGINEERED PRODUCTS SHALL BE, BUT ARE NOT LIMITED TO, THE FOLLOWING:
 - LADDERS
 - HANDRAILS
 - CLADDING SYSTEMS
 - MISCELLANEOUS STEEL
- DESIGN LOADS:
 - DESIGN ROOF DEAD LOAD:
 - 20 PSF.
 - DESIGN ROOF LIVE LOAD:
 - 20 PSF
 - DESIGN LIVE LOAD FOR FLOOR:
 - 100 PSF
 - DESIGN WIND LOAD:
 - ULTIMATE DESIGN WIND SPEED (3 SECOND GUST), $V_{ult} = 118$ MPH. NOMINAL DESIGN WIND SPEED (3 SECOND GUST), $V_{asd} = 91$ MPH.
 - RISK CATEGORY: II
 - WIND EXPOSURE CATEGORY: C
 - COMPONENTS AND CLADDING WIND PRESSURE: SEE WIND LOAD SCHEDULE THIS SHT.
 - INTERNAL PRESSURE COEFFICIENTS +/- 0.18
 - WIND-BORNE DEBRIS REGION (WITHIN HURRICANE-PRONE REGIONS)
 - WITHIN 1 MILE OF THE COASTAL MEAN HIGH WATER LINE WHERE V_{ult} IS 130 MPH OR GREATER; OR
 - IN AREAS WHERE V_{ult} IS 140 MPH OR GREATER.
 - SEISMIC DESIGN DATA:
 - $S_s = 0.147g$ $S_1 = 0.070g$
 - SITE CLASS D
 - $F_a = 1.6$ $F_v = 2.4$
 - $S_Ms = 0.236g$ $S_M1 = 0.167g$
 - $S_Ds = 0.157g$ $S_D1 = 0.112g$
 - RISK CATEGORY II
 - SEISMIC IMPORTANCE FACTOR = 1.0
 - SEISMIC DESIGN CATEGORY B
 - DESIGN SNOW LOAD:
 - GROUND SNOW LOAD, $P_g = 10$ PSF
 - EXPOSURE FACTOR, $C_e = 1.0$
 - THERMAL FACTOR, $C_t = 1.0$
 - SNOW IMPORTANCE FACTOR, $I_s = 1.0$
 - FLAT ROOF SNOW LOAD, $P_f = 10$ PSF
- SHOP DRAWINGS:
 - THE CONTRACTOR SHALL SUBMIT, AS REQUIRED, PRINTS OF SHOP DRAWINGS FOR ALL FABRICATED MATERIALS TO ARCHITECT FOR REVIEW. REPRODUCTION OF CONTRACT DRAWINGS FOR SHOP DRAWINGS WILL NOT BE PERMITTED.
 - REVIEW OF SHOP DRAWINGS BY THE ARCHITECT/ENGINEER DOES NOT RELIEVE THE CONTRACTOR OF THE SOLE RESPONSIBILITY FOR ERRORS AND OMISSIONS ASSOCIATED WITH THE PREPARATION OF THOSE SHOP DRAWINGS.
 - SHOP DRAWINGS REQUIRING A SPECIAL ENGINEERING DESIGN BY THE FABRICATOR INCLUDING THE CURTAIN WALL GLAZING SYSTEM SHALL BE STAMPED BY A PROFESSIONAL ENGINEER OF RECORD IN THE STATE OF THE PROJECT LOCATION BEFORE SUBMITTING FOR REVIEW BY THE ARCHITECT/ENGINEER. THESE DRAWINGS SHALL BE AVAILABLE AT THE JOB SITE DURING TIMES OF OBSERVATIONS.
- THE FOLLOWING SHOP DRAWINGS SHALL BE SUBMITTED:
 - CONCRETE MIX DESIGNS
 - CONCRETE REINFORCING STEEL AND WELDED WIRE FABRIC
 - STRUCTURAL STEEL

FOUNDATION:

- FOUNDATION DESIGN IS BASED ON AN ASSUMED ALLOWABLE SOIL BEARING PRESSURE OF 1500 PSF.
- THE SITE SHALL BE PREPARED UNIFORM IN ACCORDANCE WITH CIVIL DRAWINGS, SPECIFICATIONS, SOILS REPORT AND THE ALLOWABLE BEARING PRESSURE.
- ALL EXCAVATIONS AND BUILDING PADS SHALL BE INSPECTED BY A QUALIFIED GEOTECHNICAL ENGINEER TO VERIFY THE DESIGN ASSUMPTIONS AND REPORT ADVERSE CONDITIONS.
- WHERE FILL IS REQUIRED, IT SHALL BE PLACED IN ACCORDANCE WITH INSTRUCTIONS OF A QUALIFIED GEOTECHNICAL ENGINEER TO MAINTAIN DESIGN BEARING PRESSURE.
- FOOTING ELEVATIONS GIVEN ARE FOR THE PURPOSE OF DESIGN. SOIL BELOW FOOTING NOT MEETING DESIGN BEARING PRESSURE SHALL BE EXCAVATED TO A DEPTH OF VERIFIABLE DESIGN PRESSURE AND BACKFILLED PER SOIL REPORT RECOMMENDATIONS TO LEVEL OF FOUNDATION BEARING. THIS SHALL BE APPROVED BY A QUALIFIED GEOTECHNICAL ENGINEER.
- ALL EXCAVATION SHALL BE KEPT DRY. EXCAVATE TO DEPTHS AND DIMENSIONS INDICATED. TAKE EVERY PRECAUTION TO GUARD AGAINST ANY MOVEMENT OR SETTLEMENT OF ADJACENT STRUCTURES, UTILITIES, PIPING, ETC.
- PROVIDE ANY BRACING OR SHORING NECESSARY TO AVOID SETTLEMENT OR DISPLACEMENT OF EXISTING FOUNDATION OR STRUCTURES.
- BACKFILL AGAINST WALLS SHALL BE PLACED EVENLY EACH SIDE UNLESS SHORING IS PROVIDED BY THE CONTRACTOR. SHORING SHALL BE THE SOLE RESPONSIBILITY OF THE CONTRACTOR AND SHALL REMAIN IN PLACE UNTIL STRUCTURAL ELEMENT BRACING THE WALL ARE IN PLACE AND HAVE REACHED FULL DESIGN STRENGTH.

CONCRETE:

- CONCRETE MEMBERS TO HAVE THE FOLLOWING MINIMUM COMPRESSIVE STRENGTHS AT 28 DAYS:
 - FOUNDATIONS 3000 PSI
 - SLAB-ON-GRADE 3000 PSI
 ALL OTHER CONCRETE TO BE 3000 PSI UNLESS NOTED OTHERWISE.
- ALL CONCRETE SHALL BE READY MIX AND MEET THE FOLLOWING REQUIREMENTS:
 - CONCRETE SLUMP SHALL BE 4 INCHES PLUS OR MINUS 1".
 - CONCRETE SHALL HAVE 2 TO 4 PERCENT AIR ENTRAINMENT.
 - ALL CONCRETE TO HAVE MAXIMUM WATER/CEMENT RATIO OF 0.54.
- CONCRETE MIX SHALL BE IN ACCORDANCE WITH THE LATEST EDITION OF ACI 301 CHAPTER 3, METHOD 1 OR METHOD 3. CONTRACTOR SHALL SUBMIT BACKUP DATA PER CHAPTER 5 SECTION 5.3 OF ACI 318 LATEST EDITION.
- ALL REINFORCING STEEL SHALL BE NEW DOMESTIC DEFORMED BILLET STEEL CONFORMING TO ASTM A-615 GRADE 60. SUBMIT ALL REINFORCING STEEL SUBMIT ALL SHOP DRAWINGS FOR APPROVAL PRIOR TO ANY FABRICATION.
- CONCRETE COVER FOR REINFORCING STEEL SHALL BE AS REQUIRED BY ACI SPECIFICATIONS.
- WELDED WIRE FABRIC SHALL CONFORM WITH ASTM A 185. WELDED WIRE FABRIC SHALL BE LAPPED AT LEAST 12 INCHES UNLESS NOTED OTHERWISE.
- LAP ALL BARS MINIMUM 48 DIAMETERS UNLESS OTHERWISE NOTED ON DRAWINGS.
- PROVIDE ACI STANDARD HOOKS UNLESS NOTED OTHERWISE ON DRAWINGS.
- ALL CONCRETE WORK SHALL CONFORM TO ACI 318 LATEST EDITION "THE BUILDING CODE REQUIREMENTS FOR REINFORCED CONCRETE STRUCTURES", AND ACI 301 "SPECIFICATIONS FOR STRUCTURAL CONCRETE FOR BUILDINGS."
- ALL CONCRETE DETAILS SHALL CONFORM TO ACI 315 LATEST EDITION "MANUAL OF STANDARD PRACTICE FOR DETAILING REINFORCED CONCRETE STRUCTURES" UNLESS NOTED OTHERWISE ON THE DRAWINGS.
- CONTRACTOR SHALL REFER TO ARCHITECTURAL AND MECHANICAL DRAWINGS FOR LOCATIONS AND SIZES OF SLEEVES, OPENINGS, EMBEDDED ITEMS, SLAB RECESSES, SLOPES, ECT. THESE ITEMS SHALL BE COORDINATED WITH OTHER TRADES AND INSTALLED PRIOR TO CONCRETE PLACEMENT.
- CONTRACTOR SHALL VERIFY ANCHOR BOLT SIZES AND LOCATIONS PRIOR TO CONCRETE PLACEMENT.
- BAR LENGTHS PROVIDED ON DRAWINGS DO NOT INCLUDE HOOK LENGTH. HOOKS SHALL BE PROVIDED AT TOP BARS AT BEAM ENDS AND SLAB EDGES.
- CONTRACTOR SHALL PROVIDE CHAIRS, BOLSTERS, SPACERS, ECT. AS REQUIRED TO SECURELY SUPPORT REINFORCEMENT. SUPPORT ITEMS ON EXPOSED CONCRETE SHALL BE PLASTIC SUPPORT REINFORCEMENT. TIPPED OR STAINLESS STEEL. IN HIGHLY CORROSIVE ENVIRONMENTS, SUPPORT ITEM SHALL BE PLASTIC.
- THE CONTRACTOR SHALL SEAL ALL HAIRLINE CRACKING IN CONCRETE SLAB ON GRADE WITH A CRACK SUPPRESSION KIT SUCH AS LATICRETE OR APPROVED EQUAL.
- A COPY OF THE "FIELD REFERENCE MANUAL" ACI SP-15 LATEST EDITION SHALL BE KEPT BY THE CONTRACTOR ON SITE.
- ONE COPY OF ALL THE CONCRETE TEST RESULTS SHALL BE SUBMITTED BY THE TESTING AGENCY DIRECTLY TO THE ENGINEER OF RECORD.

COLD FORMED METAL FRAMING (METAL STUDS AND JOISTS):

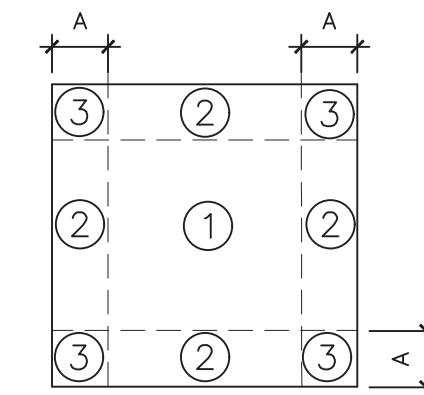
- DESIGN, FABRICATIONS AND ERECTION SHALL CONFORM TO AISI "SPECIFICATIONS FOR THE DESIGN OF COLD FORMED STEEL STRUCTURAL MEMBERS", LATEST EDITION. ALL METAL STUDS SHALL BE GALVANIZED.
- ALL STUDS, JOISTS, TRACK, BRIDGING END CLOSURES AND ACCESSORIES SHALL BE FORMED FROM STEEL THAT CORRESPONDS TO THE REQUIREMENTS OF AISI "SPECIFICATION FOR THE DESIGN OF COLD FORMED STEEL STRUCTURAL MEMBERS" WITH A MINIMUM YIELD OF 50,000 PSI (U.N.Q.).
- ALL MATERIAL AND ACCESSORIES SHALL BE FORMED FROM STEEL HAVING A G-60 GALVANIZED COATING, MEETING ASTM A 653.
- UNLESS NOTED, ALL SCREWS OR PINS SHALL BE NON CORROSIVE NO. 8-18 (0=125") OR LARGER (DO NOT USE STAINLESS STEEL OR COPPER COATED FASTENERS).
- UNLESS NOTED, TRACKS SHALL BE SAME DEPTH AS STUDS OR JOISTS AND EQUAL OR THICKER GAUGE THAN STUDS OR JOISTS. TRACKS SHALL BE CONNECTED TO SUPPORTS AT 16" MAX. STUDS OR JOISTS SHALL BE CONNECTED TO TRACKS AT EACH SIDE.

STRUCTURAL STEEL:

- CONFORM TO AISI MANUAL OF STEEL CONSTRUCTION, 15TH EDITION.
- MATERIALS:
 - ASTM A 500, GRADE B, $F_y=46$ KSI FOR STRUCTURAL TUBING.
 - ASTM A 501, $F_y=36$ KSI FOR PIPES.
 - ASTM A 325, TYPE I, FOR HIGH STRENGTH BOLTS.
 - ASTM A 307, GRADE A, ANCHOR BOLTS.
 - ASTM A 36, $F_y=36$ KSI FOR PLATES, BARS, RODS, AND ANGLES.
 - ASTM A 563, HEAVY HEX NUTS.
 - ASTM A 436, HARDENED STEEL WASHERS.
- STRUCTURAL STEEL SHALL RECEIVE ONE SHOP COAT OF RUST INHIBITIVE PRIMER UNLESS THE STEEL IS TO RECEIVE SPRAY ON CEMENTITIOUS FIREPROOFING. SEE ARCHITECTURAL DRAWINGS. ALL EXPOSED STEEL SHALL BE HOT DIPPED GALVANIZED OR COATED WITH CORROSION INHIBITED PAINT.

COMPONENTS & CLADDING ROOF WIND PRESSURES (PSF)				
EFFECTIVE WIND AREA ROOF ZONES	$V_{asd} = 92$ MPH, EXP. C RISK CATEGORY II, $G_{Cpi} = +/- 0.18$			
	10	20	50	100
(1)	+9.2/-22.8	+8.8/-22.3	+8.0/-21.4	+7.4/-20.9
(2)	+9.2/-38.2	+8.8/-34.2	+8.0/-28.8	+7.4/-24.7
(3)	+9.2/-57.5	+8.8/-47.7	+8.0/-34.6	+7.4/-24.7

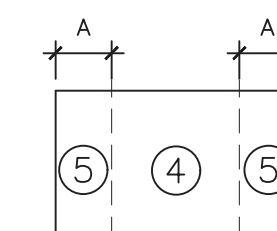
1. EDGE DISTANCE A = 12.0 FEET



PLAN

COMPONENTS & CLADDING WALL WIND PRESSURES (PSF)				
EFFECTIVE WIND AREA WALL ZONES	$V_{asd} = 92$ MPH, EXP. C RISK CATEGORY II, $G_{Cpi} = +/- 0.18$			
	10	20	50	100
(4)	+22.8/-24.7	+21.8/-23.7	+20.4/-22.4	+19.5/-21.3
(5)	+22.8/-30.5	+21.8/-28.6	+20.4/-25.8	+19.5/-23.7

1. EDGE DISTANCE A = 12.0 FEET



ELEVATION



**FOOD LION
REMODEL
STORE #1237**
133 MITTIE HADDOCK DRIVE
CAMERON, NC, 28326

PROJECT NO: 2023.0026
DATE: 09/06/23

**26 OF 43
P0.01**

PLUMBING DEMOLITION
PLAN

CHECKED: DAK DRAWN: PRD

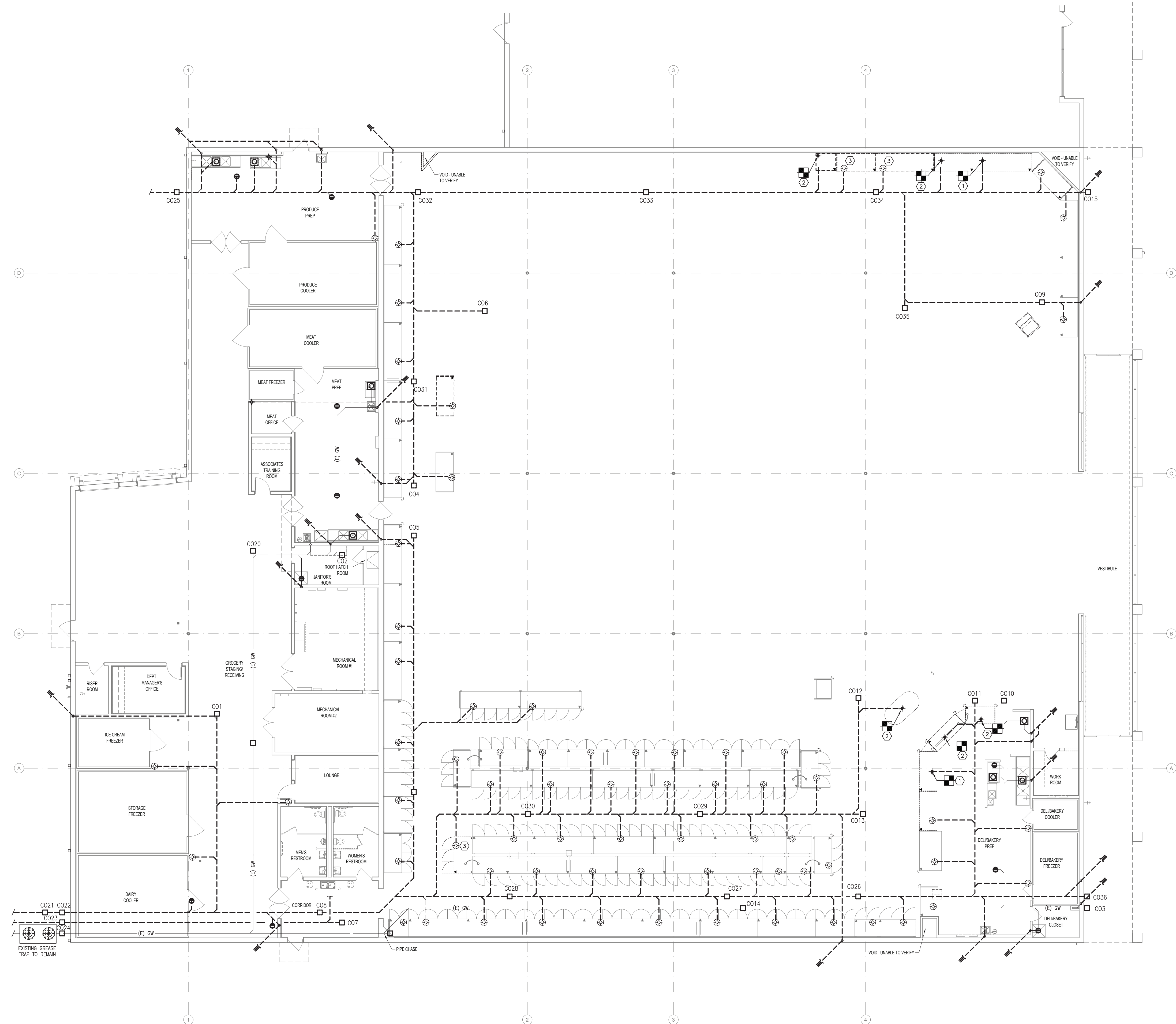
COPYRIGHT © 2023 INTERPLAN, PLLC. ALL RIGHTS RESERVED. REPRODUCTION OF THIS DOCUMENT OR ANY PART THEREOF FOR ANY PURPOSE OTHER THAN THAT AUTHORIZED BY INTERPLAN, PLLC IS STRICTLY PROHIBITED. CHANGES OR ASSIGNMENTS ARE PROHIBITED.

PLUMBING LEGEND

	- EXISTING CLEAN OUT
	- EXISTING FLOOR SINK
	- EXISTING FLOOR DRAIN
	- WALL CLEAN OUT (WCO)
	- EXISTING HUB DRAIN TO REMAIN EXISTING
	- HUB DRAIN TO BE REMOVED
	- EXISTING VENT THROUGH ROOF
	- EXISTING LINE CAPPED OFF
	- TRENCH DRAIN
	- CUT TO THIS LOCATION
	- ABOVE FINISH FLOOR
	- EXISTING
	- EXISTING GREASE WASTE
	- EXISTING SANITARY WASTE LINE
	- EXISTING VENT LINE
	- EXISTING PLUMBING LINE TO BE ABANDONED
	- FIXTURE TO BE REMOVED

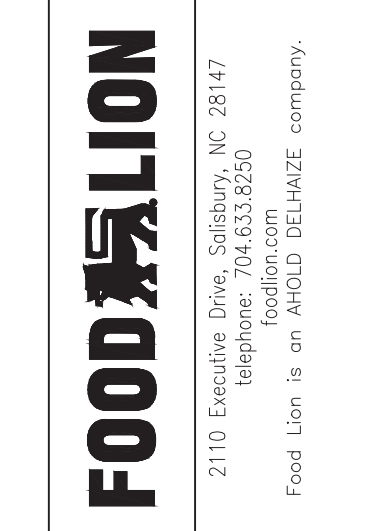
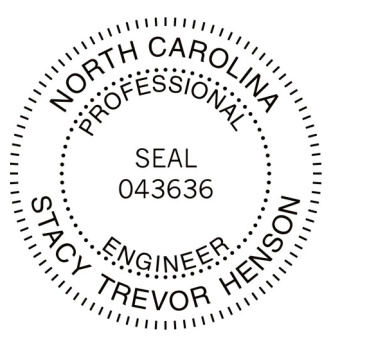
- GENERAL NOTES**
- ALL CONTRACTORS SHALL COMPLY WITH ALL STATE AND LOCAL CODES.
 - THE GENERAL CONTRACTOR SHALL VERIFY LOCATION OF ALL UTILITIES AS NEEDED. ALL RELOCATION OF UTILITIES SHALL BE COORDINATED WITH DELHAIZE AMERICA CONSTRUCTION SUPERVISOR AND/OR LOCAL UTILITIES.
 - GENERAL CONTRACTOR SHALL PATCH AND REPAIR FLOOR, CEILING, ADJOINING WALLS AND OPENINGS WHERE WALLS AND EQUIPMENT HAVE BEEN REMOVED. WORK WILL BE DONE IN A PROFESSIONAL MANNER WITH MATCHING MATERIALS.
 - GENERAL CONTRACTOR SHALL BE RESPONSIBLE FOR REPAIRING ALL ROOF OPENINGS OR PENETRATIONS CAUSED BY THE REMOVAL OF STRUCTURAL, PLUMBING, ELECTRICAL, MECHANICAL AND REFRIGERATION MATERIALS OR EQUIPMENT. REFER TO FINISH SCHEDULE. COORDINATE WITH LANDLORD'S ROOFING CONTRACTOR TO MAINTAIN WARRANTY.
 - GENERAL CONTRACTOR SHALL BE RESPONSIBLE FOR REMOVING AND CAPPING ALL ELECTRICAL STUB-UPS, DRAINS AND PITS THAT CANNOT BE REUSED, PATCH AND REPAIR FLOOR AS NEEDED.
 - PLUMBING CONTRACTOR SHALL COORDINATE THE REMOVAL AND STORAGE OF PLUMBING FIXTURES WITH THE DELHAIZE AMERICA CONSTRUCTION SUPERVISOR. PLUMBING DEMOLITION WILL NOT BE ALLOWED UNTIL THE COORDINATION IS COMPLETE.
 - THE EXISTING CONDITIONS ON THIS SHEET ARE INTENDED TO CONVEY THE APPROXIMATE CONDITION OF THE BUILDING. ALL DATA SHALL BE VERIFIED BY THE GENERAL CONTRACTOR PRIOR TO THE COMMENCEMENT OF WORK. ANY CONDITIONS WHICH DIFFER SUBSTANTIALLY FROM THAT INDICATED ON THE EXISTING FIXTURE PLAN OR IN THE CONSTRUCTION DOCUMENTS SHALL BE IMMEDIATELY BROUGHT TO THE ATTENTION OF THE DELHAIZE AMERICA CONSTRUCTION SUPERVISOR.
 - THE DEMOLITION PLAN IDENTIFIES GENERAL AREA/ITEMS TO BE DEMOLISHED ONLY AND IS NOT INTENDED TO ILLUSTRATE EACH AND EVERY ITEM REQUIRING DEMOLITION. THE GENERAL CONTRACTOR SHALL FAMILIARIZE HIMSELF/HERSELF WITH ALL EXISTING CONDITIONS IN ORDER TO ASCERTAIN THE FULL EXTENT OF DEMOLITION TO BE PERFORMED. CLOSE COORDINATION WITH THE DELHAIZE AMERICA CONSTRUCTION SUPERVISOR IS CRITICAL DURING ALL PHASES OF DEMOLITION AND CONSTRUCTION.

- KEY NOTES**
- REMOVE EXISTING HUB DRAIN AND CAP LINE AT THAT LOCATION. PREPARE BRANCH LINE TO BE MODIFIED. SEE SHEET P1.01 FOR NEW WORK. REPAIR FLOOR TO RECEIVE NEW FINISHES.
 - REMOVE EXISTING HUB DRAIN AND CAP LINE AT THAT LOCATION. MAKE FINAL PLUMBING MODIFICATION PER LOCAL JURISDICTION. PREPARE FLOOR TO RECEIVE NEW FINISHES.
 - EXISTING HUB DRAIN TO REMAIN AND RE-USED



1 PLUMBING DEMOLITION PLAN
P0.01 SCALE: 3/32" = 1'-0"





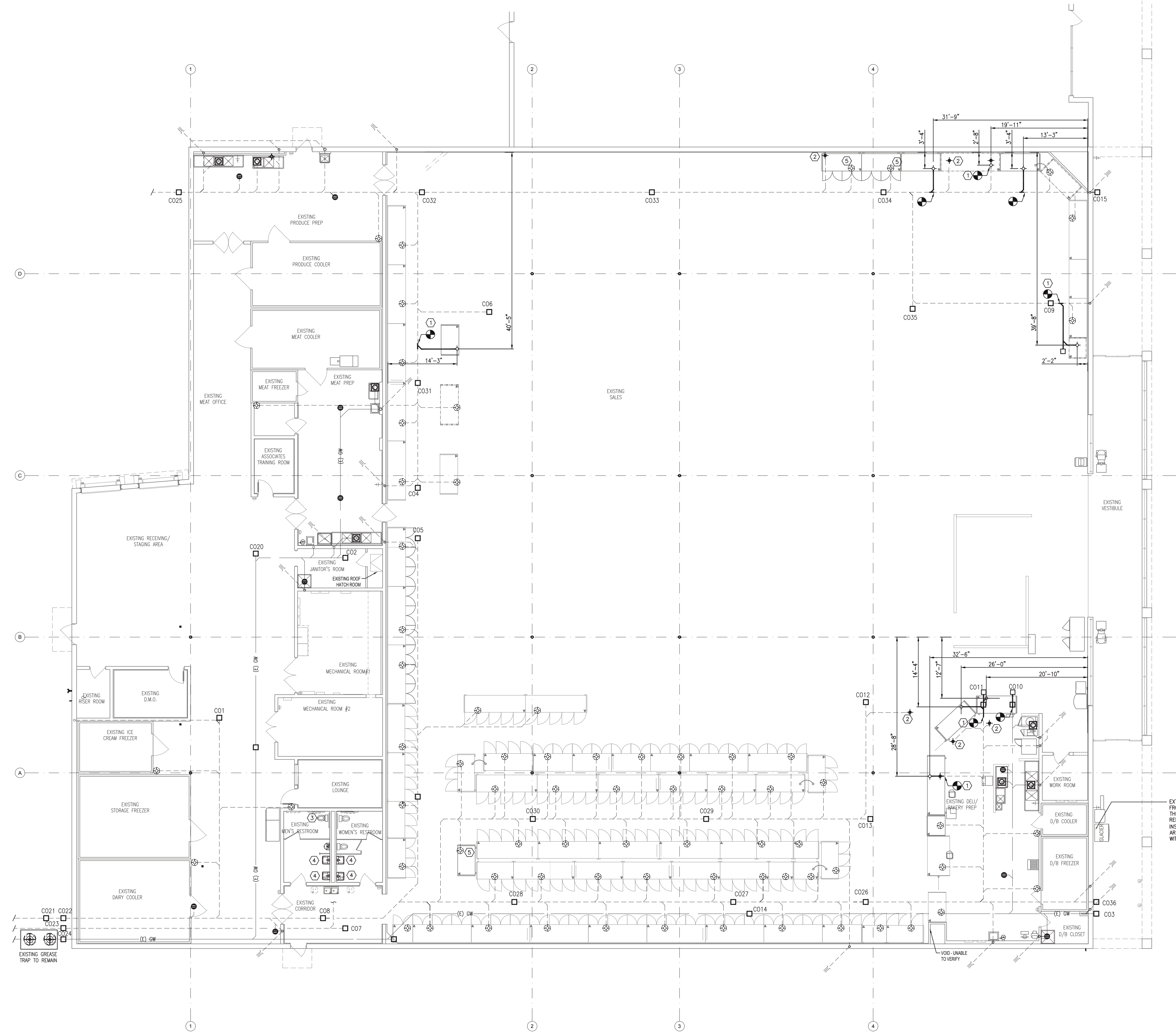
PLUMBING LEGEND			
□	NEW CLEAN OUT FLUSH WITH FINISH FLOOR	⊖	REFRIGERATION EVAPORATORS
□	EXISTING CLEAN OUT	⊕	CONNECT TO EXISTING
■	NEW FLOOR SINK	⊖	ABOVE FINISH FLOOR
⊖	EXISTING FLOOR SINK	(E)	EXISTING
⊖	NEW FLOOR DRAIN	---	NEW CONDENSATE DRAIN LINES
⊖	EXISTING FLOOR DRAIN	---	NEW VENT LINES
+	WALL CLEAN OUT (WCO)	---	NEW SANITARY SEWER LINES
+	NEW HUB DRAIN WITH 4x3 BELL REDUCER	---	GREASE WASTE EXISTING
+	EXISTING HUB DRAIN TO REMAIN EXISTING	---	EXISTING WASTE LINE
+	HUB DRAIN TO BE REMOVED	---	EXISTING VENT LINE
⊖	VENT THROUGH ROOF	---	NO DRAIN WORK
VTR(C)	EXISTING VENT THROUGH ROOF		
---	EXISTING LINE CAPPED OFF		
---	TRENCH DRAIN		

GENERAL NOTES

- IT IS THE RESPONSIBILITY OF THE PLUMBING CONTRACTOR TO COMPLY WITH STATE AND LOCAL PLUMBING CODES AND VERIFY THE ACCEPTABILITY OF SINKS, DRAINS, AND RELATED ITEMS AND REQUIRED ITEMS INCLUDED, BUT NOT LIMITED TO, GREASE INTERCEPTORS, BACKFLOW PREVENTERS.
- PLUMBING CONTRACTOR SHALL SUPPLY AND INSTALL ANY ADDITIONAL FIXTURES FOR CODE COMPLIANCE SUCH AS GREASE INTERCEPTORS, BACKFLOW PREVENTERS, ETC.
- PLUMBING CONTRACTOR SHALL PROVIDE ALL VISIBLE HUB DRAINS WITH RECESSED "SNAP-IN" HUB SCREENS. NO "SNAP-IN" HUB SCREENS ARE REQUIRED FOR HUB DRAINS UNDER CASES. GREASE DRAIN COVER FROM PLASTIC COULDES 1-800-438-5327, PART NO. P28-310
- REFRIGERATION CONTRACTOR IS RESPONSIBLE FOR RUNNING PVC DRAIN LINES FROM DRAINS ON CASES TO THEIR RESPECTIVE HUB DRAINS.
- ALL SANITARY WASTE AND VENT PIPING SHALL BE NO-HUB ASSEMBLY, CAST IRON WITH STAINLESS STEEL BANDS OR PVC - SCHEDULE 40 ASTM-D-2665
- GENERAL CONTRACTOR TO ENSURE:
 - POSITIVE DRAINING IN PREP AREAS, RESTROOMS AND COOLERS.
 - CLEAN OUT COVERS AND TILE RINGS TO BE FLUSH WITH FINISH FLOOR TILE.
 - NO FLOOR CLEANOUTS SHALL BE LOCATED IN AREAS WITH ACRYLIC RESIN FLOOR WHERE POSSIBLE. SEE SHEET A1.05.
 - SEE SHEET P6.01 FOR HUB DRAIN INSTALLATION DETAILS.
- PLUMBING CONTRACTOR SHALL COORDINATE FLOOR DRAIN LOCATIONS WITH GENERAL CONTRACTOR AND SHEET A1.02.
- PLUMBING CONTRACTOR TO VERIFY THAT ALL SANITARY DRAINS AND HUB DRAINS ARE CLEAR OF DEBRIS. HUB DRAINS ARE TO BE TEMPORARILY SEALED WITH PVC PLUG UNTIL A CASE IS INSTALLED OR CONDENSATE IS FLOWING.
- ALL SANITARY TEES SHALL BE COMBINATION TEES.
- DIMENSIONS ARE SHOWN FROM INTERIOR SURFACE OF EXTERIOR BUILDING WALLS OR COLUMN CENTER LINE, UNLESS OTHERWISE INDICATED. DIMENSIONS SHALL BE MAINTAINED WITHIN ONE INCH AS INDICATED ON PLANS.
- PROVIDE 7'-0" FLOOR DRAIN IF DOMESTIC WATER AND FIRE RISER REDUCED-PRESSURE ZONE ASSEMBLY BACKFLOW PREVENTERS ARE REQUIRED BY LOCAL WATER PROVIDER OR AUTHORITY-HAVING-JURISDICTION. ONE FLOOR DRAIN IF DOUBLE CHECK ASSEMBLY-TYPE BACKFLOW PREVENTER IS ACCEPTABLE.
- HVAC CONDENSATE PIPING SHOWN ON THIS PLUMBING DRAWING FOR ROOFING PURPOSES.
- V.I.A.'S SHALL BE A MINIMUM OF 10'-0" FROM ANY FRESH AIR INTAKE. COORDINATE AS REQUIRED WITH MECHANICAL CONTRACTOR AND MECHANICAL PLAN.
- P-18 SHALL BE USED WHEN BASKET STRAINER IS REQUIRED BY CODE.
- PLUMBING CONTRACTOR TO CAP OFF EXISTING DRAINS, CLEANOUTS, ETC. AND ABANDONED SEWER LINES THAT CAN NOT BE REUSED. REPAIR FLOOR AS REQUIRED.
- PLUMBING CONTRACTOR SHALL VERIFY THE EXACT LOCATION OF EXISTING DRAINS AND SANITARY SEWER LINES. PLUMBING CONTRACTOR TO REPORT ANY DISCREPANCIES TO THE DELHAIZE CONSTRUCTION SUPERVISOR.
- WHERE EXISTING CLEANOUTS OCCUR UNDER CASEWORK, RELOCATE AS REQUIRED.
- PLUMBING CONTRACTOR SHALL BE RESPONSIBLE FOR:
 - INSTALLING/RELOCATING HUB DRAINS (4" BELL HUBS ARE REQUIRED WHERE TWO CASES SHARE ONE CONDENSATE HUB IN THE FLOOR FOR EXISTING CASES. 4" BELL HUBS REQUIRED WHERE CASES ARE NEW OR RELOCATED). ALL EXPOSED HUBS SHALL BE 4" BELL TYPE WITH PVC SCREEN INSERTS. (NO MORE THAN TWO CASES CAN BE PIPED TO ONE HUB). PLUMBING CONTRACTOR WILL BE REQUIRED TO INSTALL HUBS AS NOTED ON THE PLANS AND SHALL NOT COMBINE HUBS IN AREAS OF NEW WORK.
 - VERIFYING ALL HUB DRAIN PLACEMENTS WITH THE DRAWINGS, CASE MANUFACTURER SPECS, AND THE CONSTRUCTION SUPERVISOR. IF THIS IS NOT DONE, ALL ASSOCIATED COST WILL BE THE RESPONSIBILITY OF THE PLUMBING CONTRACTOR. ALL HUB DRAINS SHALL EXTEND ABOVE FINISHED FLOOR USING A 4" HUB BELL. (SEE HUB DRAIN DETAIL #5 ON SHEET P6.01)
 - HOOKING UP ALL PRODUCE & DAIRY CASE WATER QUICK CONNECTS.
- REFRIGERATION CONTRACTOR TO INSTALL CASE DRAINS. CASE DRAINS TO BE CUT ON A 45° ANGLE WITH AN APPROPRIATE AIR GAP AS DICTATED BY THE LOCAL JURISDICTION. CASE DRAINS SHALL NOT BE VISIBLE OUTSIDE OF THE KICK PLATES. PLUMBING CONTRACTOR TO INSTALL/RELOCATE HUB DRAINS, EVAPORATOR COIL CONDENSATE DRAINS. EACH CASE WILL BE PIPED TO ITS OWN CONDENSATE HUB. THE REFRIGERATION CONTRACTOR WILL BE RESPONSIBLE FOR OBTAINING PERMITS & FINAL INSPECTIONS FOR THEIR WORK.
- PLUMBING CONTRACTOR SHALL ADJUST EXISTING FLOOR CLEANOUT COVERS TO BE FLUSH AND LEVEL WITH THE NEW FINISHED FLOOR. SEE BID NOTES FOR QUANTITY. NO STAINLESS STEEL COVER PLATES WILL BE ALLOWED. IF THE EXISTING CLEANOUT COVER IS OF THE ADJUSTABLE TYPE, THE CONTRACTOR SHALL RAISE OR LOWER THE COVER TO MATCH THE NEW FINISHED FLOOR ELEVATION. LEVELING SHALL BE ACCOMPLISHED BY CORE DRILLING OR SAWCUTTING SUFFICIENT CONCRETE TO ACCESS THE LINE. PLUMB AND LEVEL THE COVER. REPLACE ANY DAMAGED CLEANOUT COVERS. IF THE EXISTING CLEANOUT COVER IS NOT OF THE ADJUSTABLE TYPE, THE CONTRACTOR SHALL CORE DRILL AROUND ROUND CLEANOUT COVERS OR SAWCUT AROUND RECTANGULAR COVERS TO ACCESS THE LINE. REPLACE THE CLEANOUT WITH AN ADJUSTABLE CLEANOUT AS SPECIFIED (SIOUX CHEF 834-4PWR). VERIFY COMPATIBILITY WITH DRAIN LINES. REPLACEMENT CONCRETE WHERE CONCRETE HAS BEEN REMOVED TO ACCOMPLISH THE WORK SHALL BE MINIMUM 3000 PSI.
- THE REFRIGERATION CONTRACTOR CAN THE DRAINS FROM ADJACENT CASES INTO THE SAME HUB DRAIN ABOVE SLAB. TWO CASE MAXIMUM PER HUB DRAIN.
- PLUMBING CONTRACTOR TO RUN COPPER DRAIN LINE FOR WALK-IN EVAPORATOR COILS.
- FOR NEW AND RELOCATED TOILETS, INSURE THAT THE PROPER SIZED WAX RING AND IF NEEDED, TOILET FLANGE ADAPTOR ARE USED ALLOWING FOR BOTH A WATER TIGHT AND AIR TIGHT SEAL AT TOILET FLANGE CONNECTION.
- SEAL JOINTS BETWEEN FIXTURES AND WALLS, FLOORS, AND COUNTERS USING SANITARY-TYPE ONE PART, MILDEN-RESISTANT SILICONE SEALANT. MATCH SEALANT TO FIXTURE COLOR. REFER TO SPECIFICATIONS.

WASTE AND VENT KEY NOTES

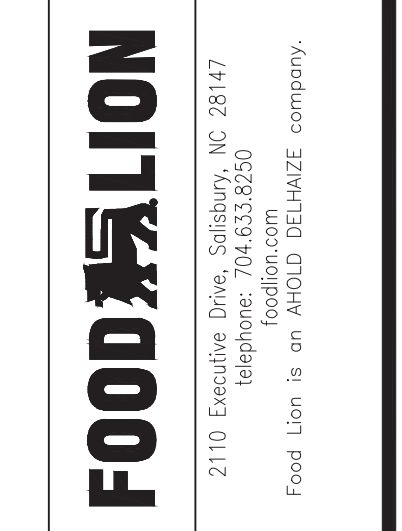
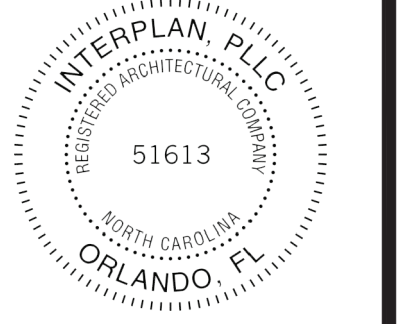
- EXTEND 3" WASTE LINE TO NEW HUB DRAIN. VERIFY LOCATION WITH OWNER PRIOR TO CONSTRUCTION. REPAIR FLOOR TO MATCH EXISTING. SEE DETAIL ON SHEET P6.01.
- REMOVE EXISTING HUB DRAIN AND CAP LINE AT THAT LOCATION. MAKE FINAL PLUMBING MODIFICATION PER LOCAL JURISDICTION. PREPARE FLOOR TO RECEIVE NEW FINISHES.
- INSTALL NEW WATER CLOSET (P-1A ALT) WITH TRIP LEVER ON OPEN SIDE OF STALL TO MEET ADA REQUIREMENTS (AS APPLICABLE). ADJUST EXISTING WASTE PIPING AS PREPARE TO RECEIVE NEW FINISHES. REQUIRED FOR RECONNECTION.
- RELOCATE EXISTING LAVATORIES TO MEET ADA REQUIREMENTS. SEE ARCHITECTURAL PLANS FOR DETAIL INDICATING DIMENSIONAL INFORMATION FOR EXACT LOCATION. ADJUST EXISTING WASTE PIPING AS REQUIRED FOR RECONNECTION. REPAIR WALL TO TO RECEIVE NEW FINISHES.
- EXISTING HUB DRAIN TO REMAIN AND RE-USED



1 SANITARY SEWER AND DRAIN PLAN
P1.01 SCALE: 3/32" = 1'-0"



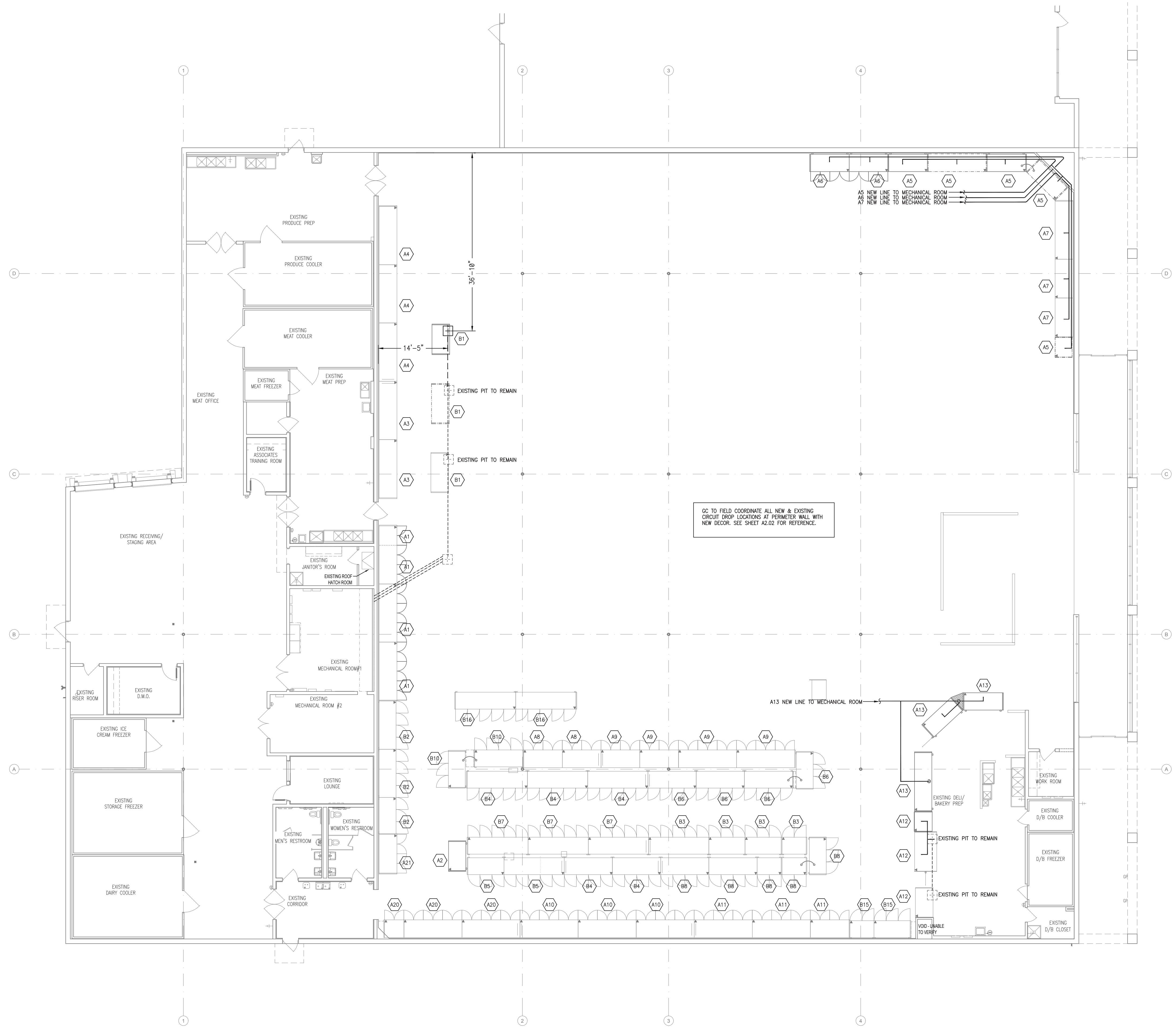
COPYRIGHT © 2023 INTERPLAN, PLLC. ALL RIGHTS RESERVED. REPRODUCTION OF THIS DOCUMENT OR ANY PART THEREOF FOR ANY PURPOSE OTHER THAN THAT FOR WHICH IT WAS PREPARED IS PROHIBITED.



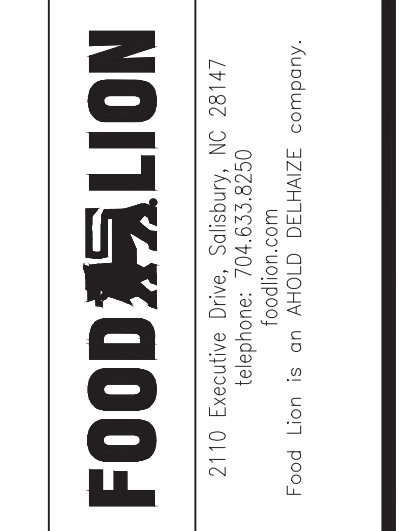
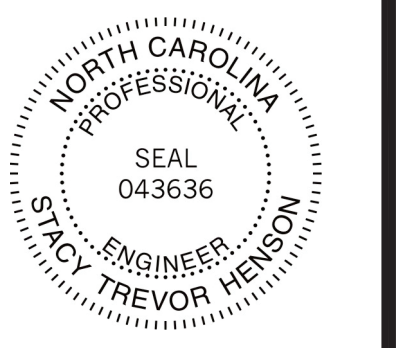
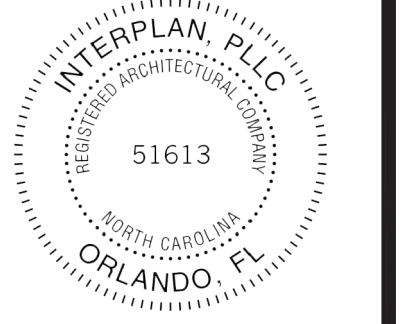
SYMBOL LEGEND

	EXISTING ACCESS PIT TO BE FILLED WITH 2500 PSI CONCRETE
	EXISTING ACCESS PIT TO REMAIN
	NEW ACCESS PIT
	EXISTING EVAPORATOR COILS - REFRIGERANT PIPING TO REMAIN
	NEW EVAPORATOR COILS
	REFRIGERATION CIRCUIT
	EXISTING BELOW SLAB REFRIGERANT CONDUIT TO BE REUSED
	EXISTING BELOW SLAB REFRIGERANT CONDUIT TO BE ABANDONED
	NEW BELOW SLAB REFRIGERANT CONDUIT
	NEW OVERHEAD REFRIGERANT CONDUIT
	NEW ABOVE SLAB AND BELOW CASE REFRIGERATION PIPING

- GENERAL NOTES**
- DIMENSIONS TO BE MAINTAINED WITHIN ONE INCH AS SHOWN.
 - DIMENSIONS ARE SHOWN FROM INTERIOR SURFACE OF EXTERIOR BUILDING WALLS, OR CLOSEST EXISTING INTERIOR WALL.
 - GENERAL CONTRACTOR IS RESPONSIBLE FOR INSTALLING ALL ACCESS TRENCHES, ACCESS PITS & CONDUIT RUNS.
 - ACCESS PITS SHALL BE PREFAB FIBERGLASS BY MOORES FIBERGLASS (252) 753-2583 OR CNB ENTERPRISES 1-(888)-403-0566
 - ACCESS PITS SHALL BE 24"X24"X18"-H" UNLESS NOTED OTHERWISE
 - REFRIGERATION CONDUIT TO BE INSTALLED LEVEL UNDER SLAB
 - NO REFRIGERATION CONDUIT RUNS SHALL BE STACKED UNDER SLAB
 - GENERAL CONTRACTOR IS RESPONSIBLE FOR PREVENTING ANY FOREIGN MATTER FROM ENTERING THE CONDUIT SYSTEM.
 - PROTECT OPEN END OF CONDUIT DURING CONSTRUCTION TO PREVENT DEBRIS FROM ENTERING CONDUIT AND SEAL END OF CONDUIT WITH RODENT PROOF MATERIAL ON BOTH SIZES IMMEDIATELY AFTER REFRIGERATION PIPING HAS BEEN INSTALLED AND INSPECTED
 - SEAL ACCESS PITS PER MANUFACTURER'S RECOMMENDATIONS BY CAPPING WITH CONCRETE GROUT AND FLOOR TILE AFTER REFRIGERATION LINES HAVE BEEN INSPECTED AND TESTED
 - SEAL OPEN END OF 1/4" CONDUIT TO PREVENT SAND FROM ENTERING CONDUIT IN ALL ACCESS PITS IMMEDIATELY AFTER PIPE IS INSTALLED
 - GENERAL CONTRACTOR IS RESPONSIBLE FOR SEALING, GROUTING & PATCHING AROUND REFRIGERATION LINES AT WALL PENETRATIONS.
 - REFRIGERATION CONTRACTOR TO ANCHOR ALL PROMO CASES TO FINISHED FLOOR AT ALL FOUR CORNERS OF CASE, AFTER ALL TESTING HAS BEEN COMPLETED.
 - MINIMUM SPACE BETWEEN UNDERSLAB PVC CONDUITS SHALL BE 4".
 - GENERAL CONTRACTOR SHALL BOX AROUND EXPOSED REFRIGERATION LINES WITH 3 5/8" METAL STUDS & FINISH TO MATCH SURROUNDING AREA.
 - REFRIGERATION PIPING (LIQUID AND SUCTION) SHALL DROP DOWN THRU THE PRE-FAB ROOF OF THE WALK-IN/PREPS AS APPLICABLE. THIS SHALL BE AS NEAR THE CONNECTION POINT OF THE EVAPORATOR AS MECHANICALLY POSSIBLE. THE REFRIGERATION CONTRACTOR SHALL COORDINATE THIS WORK WITH ALL TRADES TO AVOID ISSUES WITH LIGHTS, DRAIN PIPING, ETC. AND ELIMINATE EXTRA WORK AND COST.
 - WHEN REFRIGERATION LINES ARE PENETRATING ANY WALLS, GENERAL CONTRACTOR SHALL SEAL AROUND LINES WITH FOAM INSULATION.
 - REFRIGERATION CONTRACTOR SHALL RUN ALL OVERHEAD LINES TO FLOOR, THEN INSTALL A TRAP AND PIPE STUB. DOOR CASES ARE TO BE PUSHED ONTO STUDS AND CONTRACTOR TO MAKE CONNECTION AS USUAL UNDER CASES.
 - FIBERGLASS PITS CAN BE MODIFIED AS NEEDED TO WORK AROUND EXISTING CONDUIT, ETC. POUR BACKS SHALL BE FINISHED FLUSH WITH A MINIMUM 2" CONCRETE TO THE EXISTING SLAB. ALLOW FOR PLYWOOD BOTTOM SPLIT IN HALF TO ALLOW FOR FUTURE PIT ACCESS. ALL REVISED PITS MUST BE SEALED COMPLETELY TO RODENT PROOF AND ELIMINATE CONSTRUCTION MATERIAL FROM DAMAGING THE REFRIGERATION LINES. SPECIAL PRECAUTIONS SHALL BE MADE WHEN CUTTING HOLES IN FIBERGLASS BOXES TO LIMIT THE AMOUNT OF FIBERGLASS THAT IS CUT AWAY FOR LINE INSTALLATIONS. ALL PITS SHALL BE PHOTOGRAPHED WITH CURRENT DATE TO SHOW INTERIOR BEFORE AND AFTER VAPOR BARRIER INSTALL AND TRENCH COMPLETION. GENERAL CONTRACTOR IS RESPONSIBLE FOR INSTALLING ALL NEW ACCESS TRENCHES, ACCESS PITS AND CONDUIT RUNS.
 - EXISTING EVAPORATOR WITH REFRIGERANT LINES RUN OVERHEAD BACK TO THE EQUIPMENT ROOM.
 - REFRIGERATION CONTRACTOR IS RESPONSIBLE FOR CONNECTING/RECONNECTING CASE AND EVAPORATOR DRAINS.
 - GENERAL CONTRACTOR SHALL BOX AROUND EXPOSED REFRIGERATION LINES, SEE 10/P6.01. REFRIGERATION DROPS/BOXING TO BE IN LINE WITH SALES AREA COLUMNS. PAINT TO MATCH GYP BD WALLS.
 - GC SHALL VERIFY EXISTING DIELECTRIC UNIONS AT ALL EVAPORATORS. IF NONE EXISTING, PROVIDE. SEE 12/P6.01.



1
P1.02 **REFRIGERATION PIT AND CONDUIT PLAN**
SCALE: 3/32" = 1'-0"
NORTH



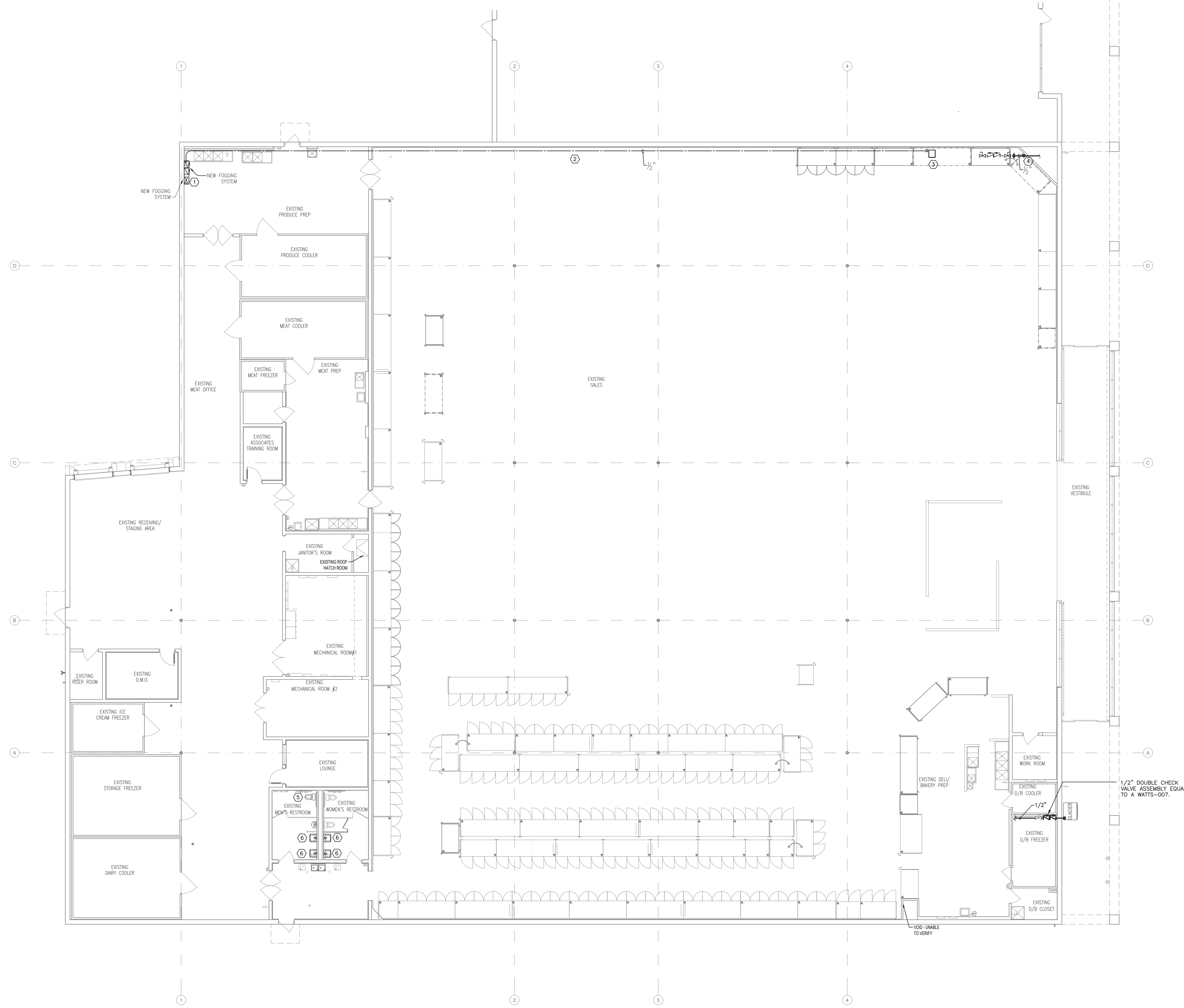
PLUMBING LEGEND

	- BALL VALVE
	- CHECK VALVE (TYPICAL AT ALL MIXING FAUCETS)
	- HOSE BIBB
	- EXISTING LINE CAPPED OFF
	- CONNECT TO EXISTING
	- CUT TO THIS LOCATION
	- ABOVE FINISH FLOOR
	- BRANCH TO CONNECT
	- EXISTING
	- NEW OVERHEAD COLD WATER
	- NEW OVERHEAD HOT WATER
	- NEW BELOW SLAB COLD WATER
	- NEW BELOW SLAB HOT WATER
	- PRE-HEATED LINE
	- HOT WATER RETURN
	- UNDER SLAB WATER LINES
	- EXISTING PLUMBING LINE TO BE REMOVED

- GENERAL NOTES**
- ALL SUPPLY WATER PIPING TO BE:
- HARD COPPER 1/2" W/ WROUGHT COPPER FITTINGS
- INSULATED W/ 1/2" FIBERGLASS OR 3/8" ARMAFLEX
- SUSPENDED FROM BAR JOISTS.
 - IT IS THE RESPONSIBILITY OF THE PLUMBING CONTRACTOR TO COMPLY WITH STATE AND LOCAL PLUMBING CODES AND VERIFY THE ACCEPTABILITY OF NON-SPECIFIED SINKS, DRAINS AND RELATED ITEMS. REQUIREMENT ITEMS INCLUDING, BUT NOT LIMITED TO, GREASE INTERCEPTORS, BACKFLOW PREVENTORS AND SINKS.
 - FOOD LION WILL NOT ACCEPT PLASTIC COVERS FOR CLEANOUTS. COVERS SHALL BE MADE OF CAST IRON OR BRASS.
 - PLUMBING CONTRACTOR SHALL PROVIDE AND INSTALL CHECK VALVES ON THE COLD WATER SIDE OF ALL NEW AND EXISTING MIXING HOSE BIBBS, MISTING SYSTEMS, EYEWASH STATIONS AND FAUCETS. ALL PREP DEPARTMENTS (MEAT, PRODUCE, DELI/BAKERY) SHALL ALSO HAVE SHUT OFF VALVES ON BOTH COLD AND HOT WATER LINES.
 - SINKS IN MEAT PREP, PRODUCE PREP AND DELI PREP SHALL BE ORDERED AND INSTALLED WITH A 3" STANDOFF (EXCEPT HAND SINKS).
 - INSTALL AN EXPANSION TANK ON THE INLET SIDE OF ALL WATER HEATERS THAT HAVE THE BACKFLOW PREVENTER CHECK VALVES INSTALLED.
 - SEAL ALL PENETRATIONS IN JANITOR'S AREA WITH CAULK. (BEHIND ESCUTCHEONS)
 - THE EXISTING CONDITIONS INDICATED ON THIS SHEET ARE INTENDED TO CONVEY THE APPROXIMATE CONDITIONS OF THE BUILDING. ALL DATA SHALL BE VERIFIED BY THE CONTRACTOR PRIOR TO THE SUBMISSION OF BIDS AND/OR THE COMMENCEMENT OF WORK. ANY CONDITIONS WHICH DIFFER SUBSTANTIALLY FROM THAT INDICATED ON THE EXISTING CONDITIONS PLAN OR THE CONSTRUCTION DOCUMENTS, SHALL BE IMMEDIATELY BROUGHT TO THE ATTENTION OF THE ENGINEER AND FOOD LION CONSTRUCTION SUPERVISOR.

- DOMESTIC WATER KEY NOTES**
- EXTEND 3/4" CW SOFT COPPER SUPPLY TO NEW FOGGING SYSTEM. PROVIDE 3/4" FPT BALL VALVE AND DOUBLE CHECK VALVE AT CONNECTION OF EXISTING CW SUPPLY MOUNT TO WALL. COORDINATE EXACT LOCATION WITH CONSTRUCTION SUPERVISOR. DOUBLE CHECK VALVE ASSEMBLY SHALL BE EQUAL TO A WATTS SERIES 007.
 - EXTEND 3/4" PEX SUPPLY ABOVE CEILING. PROVIDE SUPPORTS EVERY 24".
 - EXTEND 3/4" PEX SUPPLY TO NEW FOGGING SYSTEM SOLENOID/MANIFOLD BOX ON TOP OF REFRIGERATED CASE.
 - EXTEND 3/4" CW SUPPLY CONCEALED IN WALL DOWN TO 4" ABOVE CASE FOR CASE WASH-DOWN. PROVIDE 3/4" FPT BALL VALVE AND DOUBLE CHECK VALVE AT CONNECTION OF EXISTING CW SUPPLY. TERMINATE WITH 3/4" FPT BALL VALVE AND QUICK DISCONNECT. COORDINATE EXACT LOCATION WITH CONSTRUCTION SUPERVISOR. DOUBLE CHECK VALVE ASSEMBLY SHALL BE EQUAL TO A WATTS SERIES 007. ALL PIPING AND ACCESSORIES SHALL BE CONCEALED FROM SALES.
 - INSTALL NEW WATER CLOSET (P-1A ALD) WITH TRIP LEVER ON OPEN SIDE OF STALL TO MEET ADA REQUIREMENTS (AS APPLICABLE). ADJUST EXISTING WASTE PIPING AS PREPARE TO RECEIVE NEW FINISHES. REQUIRED FOR RECONNECTION.
 - RELOCATE EXISTING LAVATORIES TO MEET ADA REQUIREMENTS. SEE ARCHITECTURAL PLANS FOR DETAIL INDICATING DIMENSIONAL INFORMATION FOR EXACT LOCATION. ADJUST EXISTING WASTE PIPING AS REQUIRED FOR RECONNECTION. REPAIR WALL TO RECEIVE NEW FINISHES.

- NOTES:**
- PRODEW INC. WILL PROVIDE AND INSTALL ALL EQUIPMENT, CONNECTIONS, & PIPE FITTINGS.
 - PRODEW INC. TO PULL CABLE & 3/4" PEX WATER LINE.
 - G.C. TO PROVIDE MOUNTING BOARD, THREE (3) GFI DUPLEX RECEPTACLES, & CABLE CONDUIT.
 - SOLENOID/MANIFOLD BOX WILL HAVE DRAIN TO NEAREST HUB BY PRODEW INC.
 - DO NOT LOCATE MISTING SYSTEM ABOVE SINKS.
 - COORDINATE FINAL PRODEW LAYOUT WITH FOOD LION CONSTRUCTION MANAGER PRIOR TO INSTALL.



1 WATER PIPING PLAN
P1.03 SCALE: 3/32" = 1'-0"
NORTH

PLUMBING FIXTURE SCHEDULE

MARK	FIXTURE	MANUFACTURER/SUPPLIER	MODEL No.	MATERIAL	SIZE	FAUCET AND DRAIN	TRAP	SUPPLIES AND STOPS	REMARKS
P-1	WATER CLOSET	AMERICAN STAND	E2234-015	VITROUS CHINA	ELONG TOILET	SLUIC 111 REGAL FLUSH VALVE			SLUIC 111 REGAL FLUSH VALVE
P-2	TANK TYPE WATER CLOSET	AMERICAN STAND	E2333-100	VITROUS CHINA	ELONG TOILET			ANGLE STOPS	PRESSURE-ASSISTED TANK TYPE
P-3A	WATER CLOSET (H/L)	AMERICAN STAND	E2043-102	VITROUS CHINA	ELONG TOILET	SLUIC 111 REGAL FLUSH VALVE			SLUIC 111 REGAL FLUSH VALVE FLUSH VALVE ON OPEN SIDE OF STALL
P-3A-1	TANK OPS. WATER CLOSET (H/L)	AMERICAN STAND	E2447-016	VITROUS CHINA	ELONG TOILET			ANGLE STOPS	PRESSURE-ASSISTED TANK TYPE TRAP EXPOSED ON OPEN SIDE OF STALL (1) 1/2" x 1/2" VITR. WASTE FAUCET (1) 1/2" x 1/2" VITR. WASTE FAUCET
P-3	URINAL	AMERICAN STANDARD	16590-001 0.5 GPF	VITROUS CHINA	18" URINAL	SLUIC 168-04 REGAL FLUSH VALVE			SLUIC 168-04 REGAL FLUSH VALVE
P-3-1	LAUNDRY	AMERICAN STANDARD	E0124-024	VITROUS CHINA	20" URINAL	1/2" x 1/2" VITR. WASTE FAUCET	1/2" GA.		ANGLE STOPS
P-3-1A	LAUNDRY (H/L)	AMERICAN STANDARD	E0124-024	VITROUS CHINA	20" URINAL	1/2" x 1/2" VITR. WASTE FAUCET	1/2" GA.		ANGLE STOPS
P-3-1A-1	TWO LEVEL ELECTRIC WATER COOLER	GRANGER	E2071R	STAINL. STEEL	36" x 18"		6.0 GPM	WHEEL HAND STOP	MOUNT ONE UNIT AT HANDICAP HEIGHT
P-3-1A-1A	SINGLE WATER COOLER	GRANGER	E2071R	STAINL. STEEL	18" x 18"		6.0 GPM	WHEEL HAND STOP	MOUNT AT HANDICAP HEIGHT
P-4	WATER FAUCET	AMERICAN STANDARD	E8354-243	CAST BRASS				VACUUM BREAKER LEVER HANDLE	
P-5	WALL HYDRANT	ZURN	2-1517	BRONZE				VACUUM BREAKER KEY	1/2" x 1/2" FREEZE PROOF
P-6	RAM WASH GALLETT	T & S	85-0865-858R	CHROME PLATED				VACUUM BREAKER INTERNAL STOP & WALL BRACKET WITH CHECK VALVE	
P-7A	FLOOR DRAIN	ZURN	2E-415	CAST BRONZE STRAINER				DEEP SEAL TRAP	EMERGENCY WASH
P-7A-1	TRENCH DRAIN	ATI, INC.	PRO-DRAIN CHANNEL #100					DEEP SEAL TRAP	NO. 2502 PLATE IRON GRATE W/24" x 4" VERTICAL OUTLET & CLOSED END PLATES
P-7A-2	TRENCH DRAIN	ATI, INC.	PRO-DRAIN CHANNEL #20					DEEP SEAL TRAP	NO. 2502 PLATE IRON GRATE W/24" x 4" VERTICAL OUTLET & CLOSED END PLATES
P-7A-3	FLOOR CLEAN-OUT	SIOUX CHIEF	834-478B	PVC WITH NICKEL BRASS TOP	4"				WITH BODY FLANGE, USE IN CONCRETE REFER TO DETAIL ON SHEET P6.01
P-7A-4	TWO WAY CLEAN-OUT IN CONCRETE	SIOUX CHIEF	834-478B	PVC WITH NICKEL BRASS TOP	4"				WITH BODY FLANGE, USE IN CONCRETE REFER TO DETAIL ON SHEET P6.01
P-7A-5	TWO WAY CLEAN-OUT	JOSAM	85900 SERIES	COUNTER CAST IRON & BRONZE FLUSH	4"				EXTERIOR WHEN IN ASPHALT - SEE DETAIL ON SHEET P6.01 WITH SINK AS REQUIRED FOR 20' MIN. MIN. MUST MEET ALL CODES, LOCAL AND STATE
P-7A-6	MEAT PREP SINK	JOHN BOOS	3PE244-2024-FL	TYPE 304 STAINLESS STEEL	30" x 24"	(1) 1/2" x 1/2" VITR. WASTE FAUCET (1) 1/2" x 1/2" VITR. WASTE FAUCET		VACUUM BREAKER AND WALL BRACKET	(1) 60001285 STANDOFF BRACKETS
P-7A-7	PRODUCE PREP SINK	JOHN BOOS	3PE244-2024-FL-1	TYPE 304 STAINLESS STEEL	30" x 24"	(1) 1/2" x 1/2" VITR. WASTE FAUCET (1) 1/2" x 1/2" VITR. WASTE FAUCET		VACUUM BREAKER AND WALL BRACKET	(1) 60001285 STANDOFF BRACKETS
P-7A-8	WATER HEATER	BRADLEY	ES80-54-1		85 GAL			SURFACE MOUNT THERMOSTAT	ELECTRIC WATER HEATER 24" x 18" x 1/2" FIN
P-7A-9	WATER HEATER	BRADLEY	ES80-100		80 GAL			SURFACE MOUNT THERMOSTAT	120V COMPACT 6" x 6" x 6" COMPACT SERIES WATER HEATER SEE 138' HIGH RISE
P-7A-10	WATER HEATER (PREHEATER)	BRADLEY	ES80-100		120 GAL			GOOD WATT ELEMENT WITH STRAP	
P-7A-11	SEPTIC & MEAT PREP HAND SINK	JOHN BOOS	3PE244-2024-FL	TYPE 304 STAINLESS STEEL	24" x 24"	(1) 1/2" x 1/2" VITR. WASTE FAUCET (1) 1/2" x 1/2" VITR. WASTE FAUCET		VACUUM BREAKER AND WALL BRACKET	(1) 60001285 STANDOFF BRACKETS
P-7A-12	DELI-BAKERY SINK	JOHN BOOS	3PE244-2024-FL	TYPE 304 STAINLESS STEEL	24" x 24"	(1) 1/2" x 1/2" VITR. WASTE FAUCET (1) 1/2" x 1/2" VITR. WASTE FAUCET		VACUUM BREAKER AND WALL BRACKET	(1) 60001285 STANDOFF BRACKETS
P-7A-13	PREP TANK				MINIMUM 1500 GALLONS			EXTERIOR	RECESSED HEAVY DUTY RATED
P-7A-14	FLOOR DRAIN	ZURN	2-580	CAST IRON	4"			DEEP SEAL TRAP	
P-7A-15	FLOOR DRAIN	ZURN	2B-610-H W/1200W	CAST BRONZE STRAINER	12" x 12"			HINDED GRATE WITH SEDIMENT BUCKET	
P-7A-16	FLOOR DRAIN	ZURN	2B-505-245 W/2100W	CAST BRONZE STRAINER	4"			HEEL PROOF SECURED GRATE	
P-7A-17	WALL CLEANOUT	JOSAM	55800	BRONZE/2200 STAINLESS WALL BRACKET					
P-7A-18	PRODUCE PREP HAND SINK	JOHN BOOS	3PE244-2024-FL	TYPE 304 STAINLESS STEEL	24" x 24"	(1) 1/2" x 1/2" VITR. WASTE FAUCET (1) 1/2" x 1/2" VITR. WASTE FAUCET		WALL BRACKET	
P-7A-19	WATER HAMMER ARRESTER	JR SMITH	SERIES 5000						
P-7A-20	FLOOR SINK	PLUMBING SUPPLIES	PT-530-1		14" x 14"			14" x 14" W/ 1/2" W/ 1/2" W/ 1/2"	SECONDARY STRAINER
P-7A-21	WBP BASIN	REDUCO	5896-363006-8000	RUBBER BASKET FIBERGLASS	36" x 36"	1" 6000 DRAIN AND RUBBER BASKET	DEEP SEAL TRAP	VACUUM BREAKER	1/2" x 1/2" WALL BRACKET SEE SUPPLIER MFD
P-7A-22	WBP BASIN	FOY	75P-300-5818CS	RUBBER BASKET FIBERGLASS	36" x 36"	1" 6000 DRAIN AND RUBBER BASKET	DEEP SEAL TRAP	VACUUM BREAKER	1/2" x 1/2" WALL BRACKET SEE SUPPLIER MFD
P-7A-23	WATER HEATER	BRADLEY	ES80-100		10 GAL				(1) 6000 WATT ELEMENT 120V, 1PH
P-26	1 COMPARTMENT D/B	JOHN BOOS	1PB18-1018R	TYPE 300 STAINLESS STEEL	18" x 14"	B-3952 LEVER WASTE DRAIN T&S B 1128 FAUCET		VACUUM BREAKER AND WALL BRACKET	18" SPLASHGUARD
P-27	2 COMPARTMENT VEGETABLE SINK	JOHN BOOS	1PB24-1024R-FL	TYPE 300 STAINLESS STEEL	24" x 24"	B-3952 LEVER WASTE DRAIN T&S B 1128 FAUCET		VACUUM BREAKER AND WALL BRACKET	24" SPLASHGUARD
P-28	DELI-BAKERY HAND SINK	JOHN BOOS	3PE244-2024-FL	TYPE 304 STAINLESS STEEL	24" x 24"	(1) 1/2" x 1/2" VITR. WASTE FAUCET (1) 1/2" x 1/2" VITR. WASTE FAUCET		VACUUM BREAKER AND WALL BRACKET	
P-29	HOSE BIBB	ZURN	E-185	CAST IRON	1/2"				CAST IRON JOINT
P-30	HOSE BIBB	WOODWARD	MODEL 24	BRASS	1/2"			CHROME VACUUM BREAKER	CHROME STANDARD LOOSE KEY
P-31	COOLING SINK AND CONDENSATE	JOHN BOOS	BTC-2024-HWR-FL	1/2" COMPACT STAINLESS STEEL	60" x 24"	(1) 1/2" x 1/2" VITR. WASTE FAUCET (1) 1/2" x 1/2" VITR. WASTE FAUCET			
P-32	EXPANSION TANK	BAR	PT-12		6.4 GAL				
P-33	EXPANSION TANK	BAR	PT-5		2.5 GAL				
P-33B	EXPANSION TANK	BAR	PTA-200		8.0 GAL				
P-34	WATER TIGHT EYE WASH	BRADLEY	S19-220						SEE DETAIL ON SHEET P6.01
P-35	TRAP PRIMER	PRECISION PLUMBING	MPB-300		3/8"	TYPE L SHORT TUBING			MOUNTED AT MINIMUM 12" AFF. 2" BORE BRASS IS MOUNTED IN AN AREA 12" MIN. FROM WALL
P-36	PROCESSOR WALL (DOWN)	WOODWARD	616	BRASS	3/4"				ALONG NEW PRECIPITATION TUBING COVERS

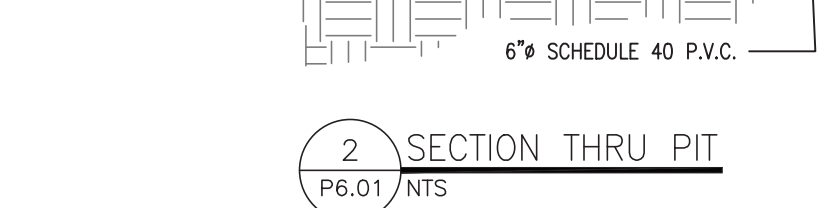
ACCEPTABLE ALTERNATE MANUFACTURERS:

P-1	TOTO CT705EN KOHLER K-4350	P-8	SMITH 2005-DV-PB WADE W-1104-157-31-2 JOSAM 3000A-7E1-2 WATTS FD-100-A7-8
P-1A	TOTO CT705ELM KOHLER K-4358	P-8A	SMITH 9814-SYSTEM WADE W-1640
P-2	TOTO L1074E (0.5 GPF) KOHLER K-4940-ET (0.5 GPF)	P-17	JOSAM 39964 W/67104A WATTS FD-460-F-9
P-3	TOTO L1307.4 KOHLER K-2054	P-18	SMITH 2415-B-PB WADE W-2310-1-14 W/2450 JOSAM 37810-20-14-2 W/67104A WATTS FD-460-F-5-9
P-4	HALSEY TAYLOR WM-16W	P-19	JOSAM 32300-1.88100 SMITH 2120 WATTS FD-320-Y-6 WADE W-1310-1-W/ W-2450
P-5	KOHLER K-8906	P-20	WATTS CO-590-RD WADE W-8500/ W-8480R
P-6	SMITH 5609-OT WOODFORD MODEL 60 WADE W-8620-L JOSAM 71650-52-80 WATTS HY420-6	P-21	WATTS CO-590-RD WADE W-8500/ W-8480R
P-6A	SMITH 5560 WADE W-8606-HC JOSAM 71650-52-80 WATTS HY420-6	P-22	WATTS CO-590-RD WADE W-8500/ W-8480R
P-7	AMERICAN STANDARD 8344-111	P-23	SIOUX CHIEF 861.3PX
		P-29	WATTS RD-300K

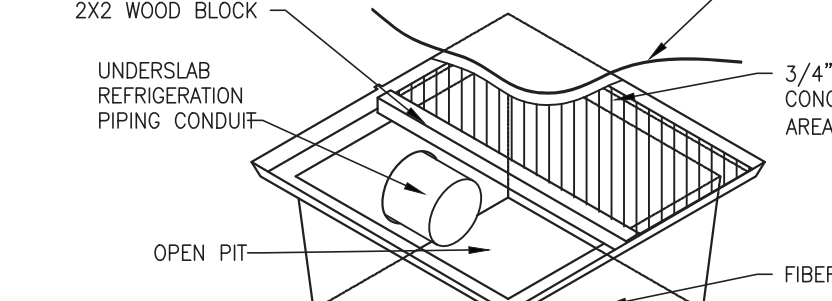
LOCATION & PHONE FOR FIXTURE SUPPLIERS:

PLASTIC COITIES	SHELBY, NC	PH(800) 438-5327
JOHN BOOS	ROSWELL, GA	PH(800) 327-1817
(HEFOO, LLC)		
GRANGER	CHARLOTTE, NC	PH(704) 904-6151
JOSAM	RICHMOND, VA	PH(800) 446-2728
THERMA-STOR	DEC INTERNATIONAL	PH(800) 533-7533
ATI, INC.	TROUTMAN, NC	PH(800) 438-6057
		(704) 525-3043
WATTS	SPINDALE, NC	PH(800) 338-2581
WADE	CHARLOTTE, NC	PH(704) 525-3043
B&G	MORTON GROVE, IL	PH(847) 966-3700

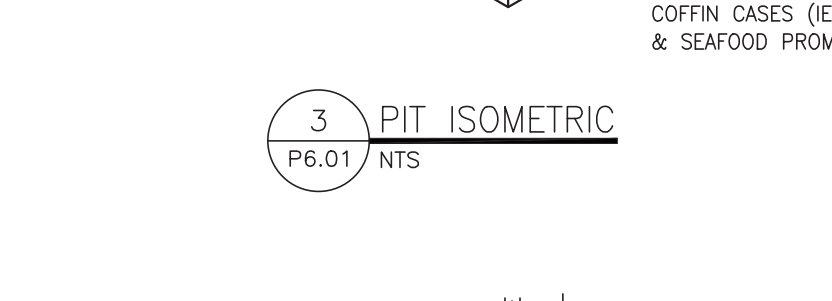
1 ACCESS PIT PLAN VIEW



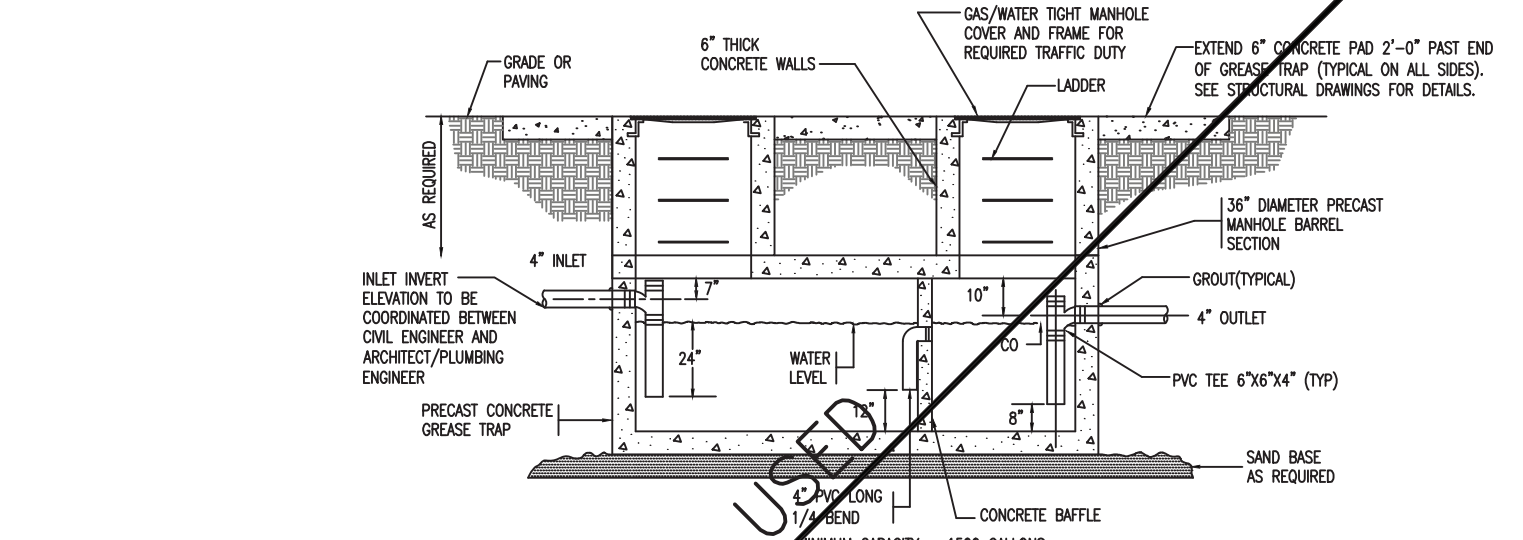
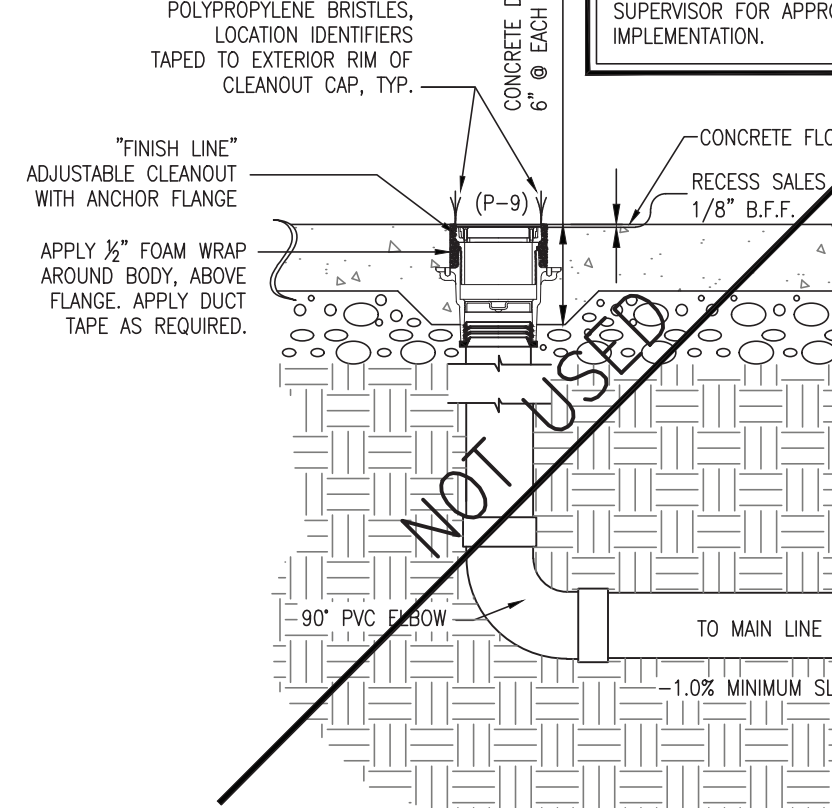
2 SECTION THRU PIT



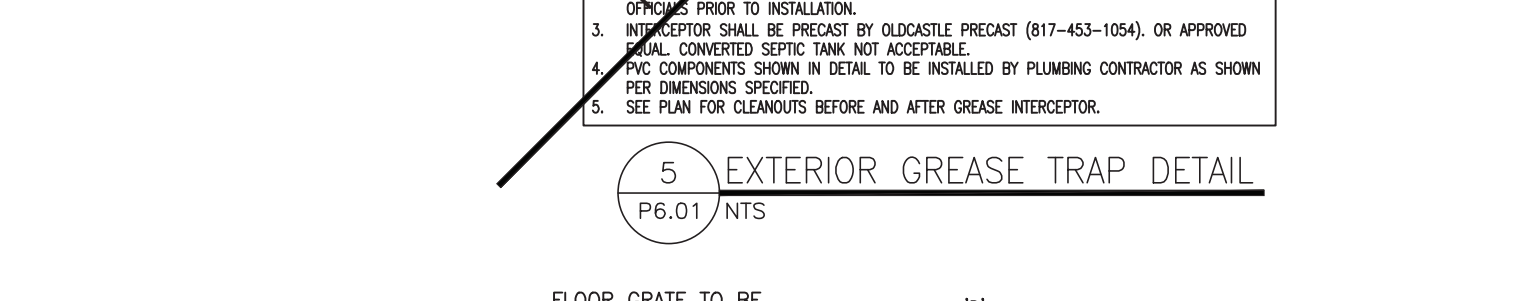
3 PIT ISOMETRIC



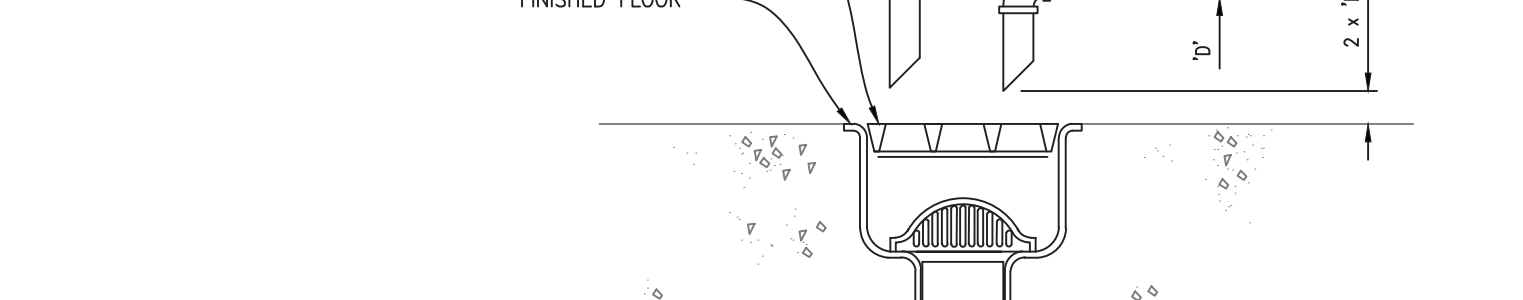
4 CLEANOUT SECTION



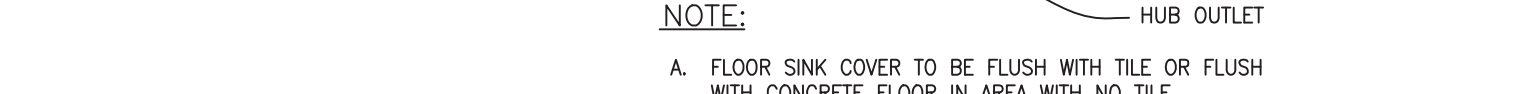
5 EXTERIOR GREASE TRAP DETAIL



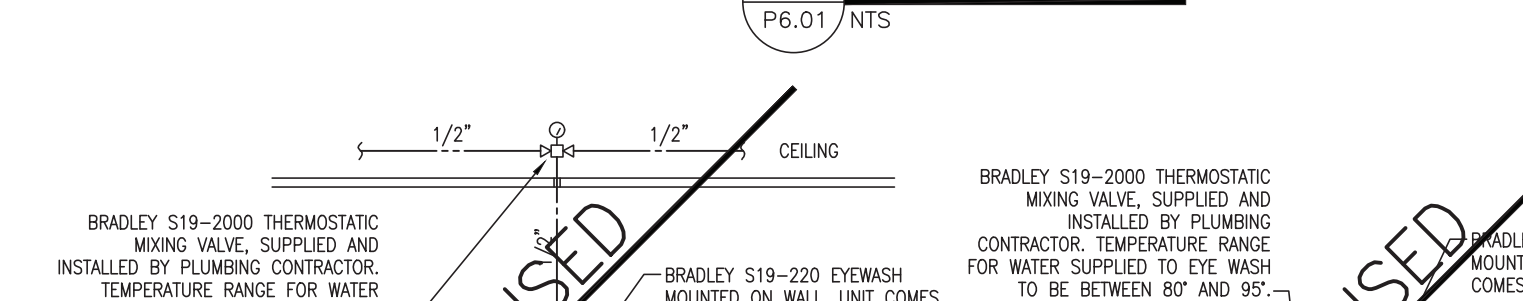
6 FLOOR SINK DETAIL



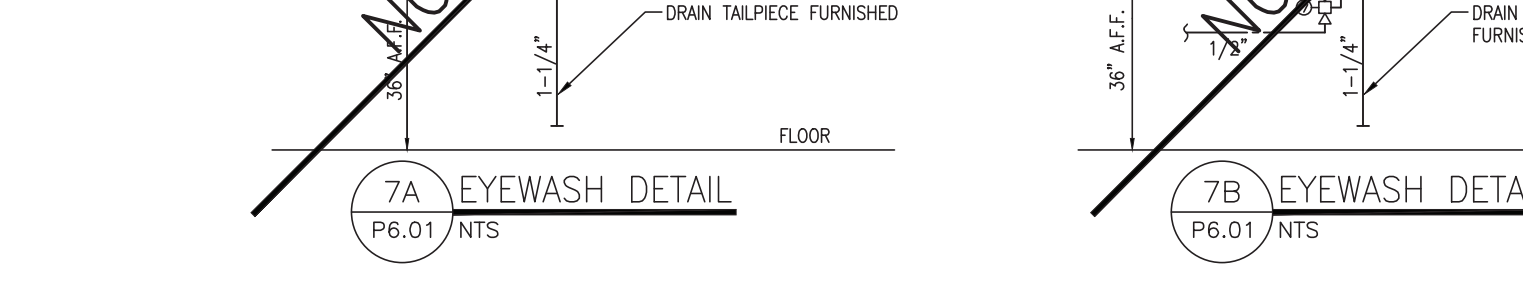
7A EYEWASH DETAIL



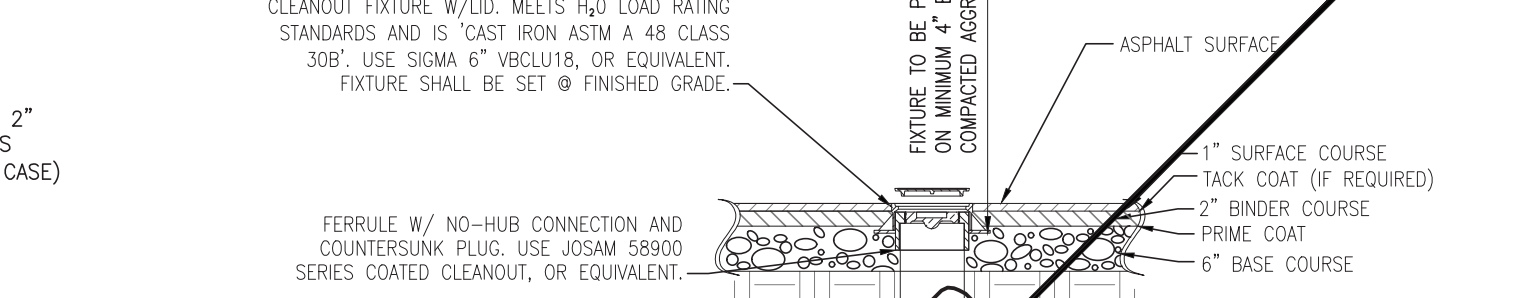
7B EYEWASH DETAIL



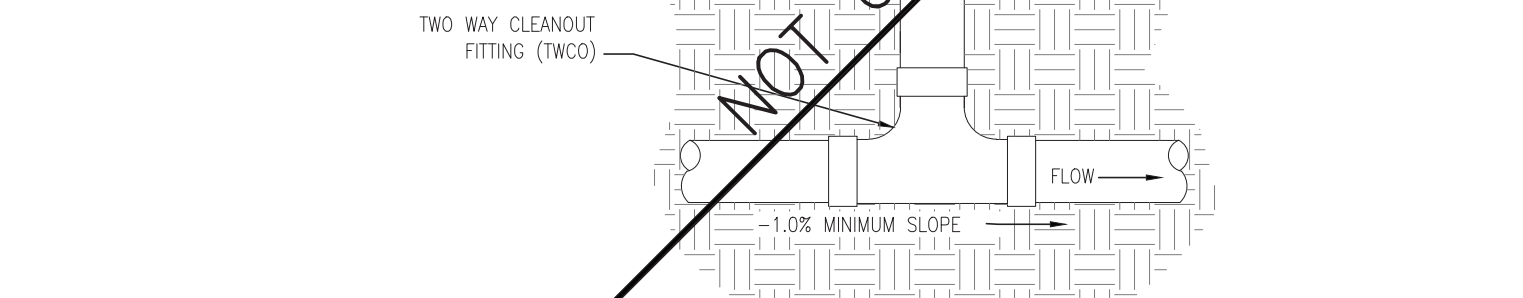
10 OVERHEAD REFRIGERATION PIPING DETAIL



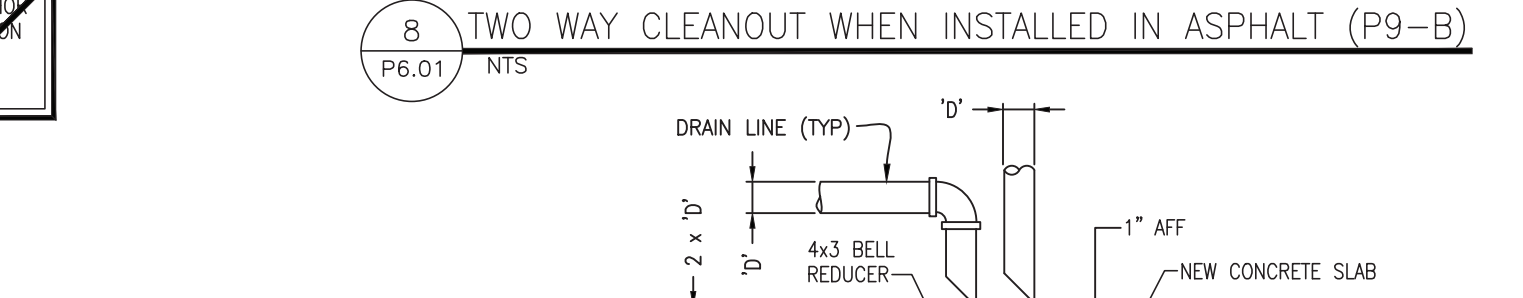
11 OVERHEAD REFRIGERATION PIPING DETAIL



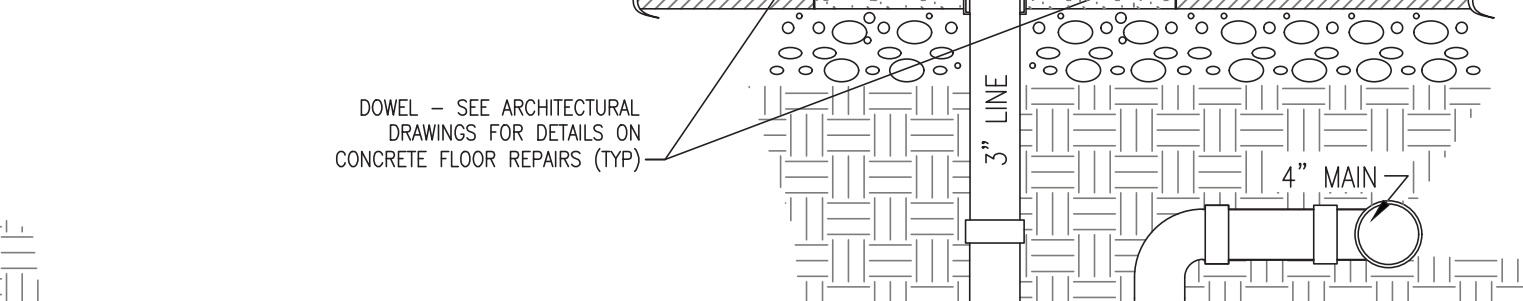
12 OVERHEAD REFRIGERATION DRIP PAN DETAIL



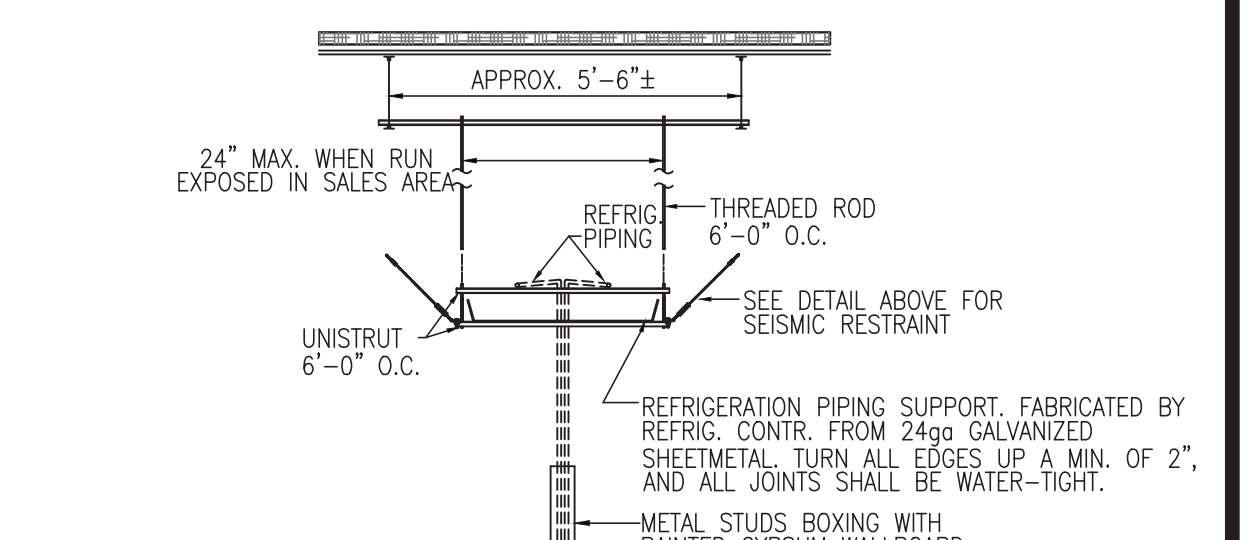
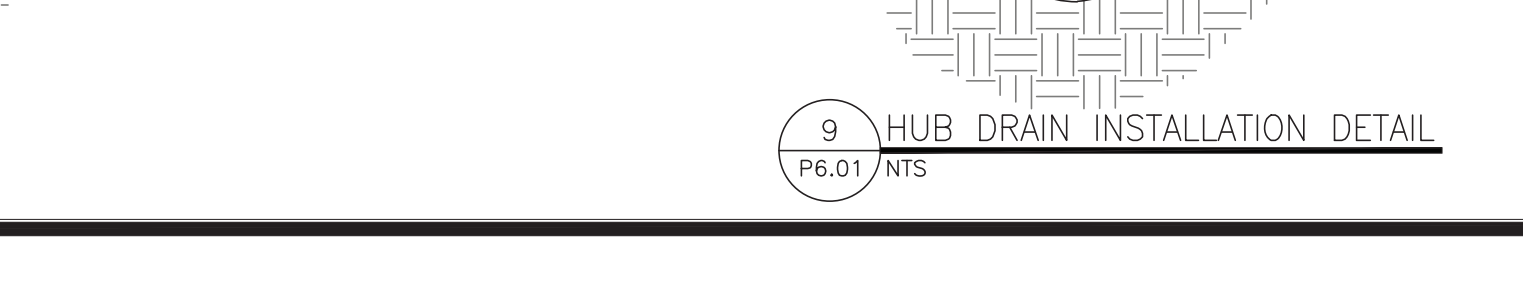
8 TWO WAY CLEANOUT WHEN INSTALLED IN ASPHALT (P9-B)



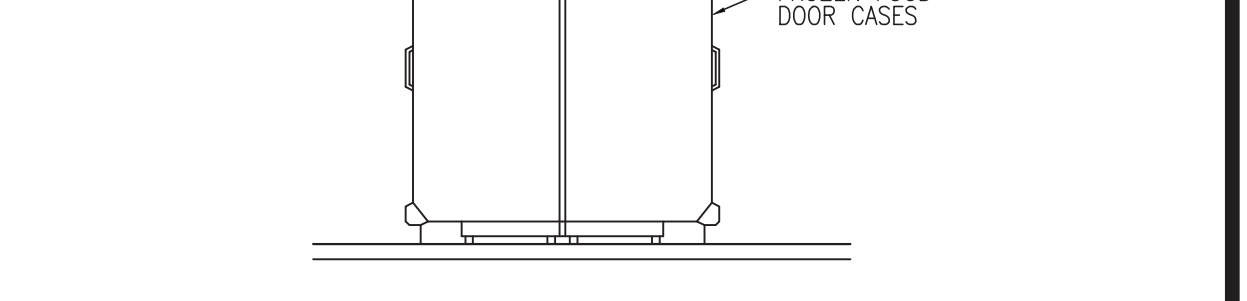
9 HUB DRAIN INSTALLATION DETAIL



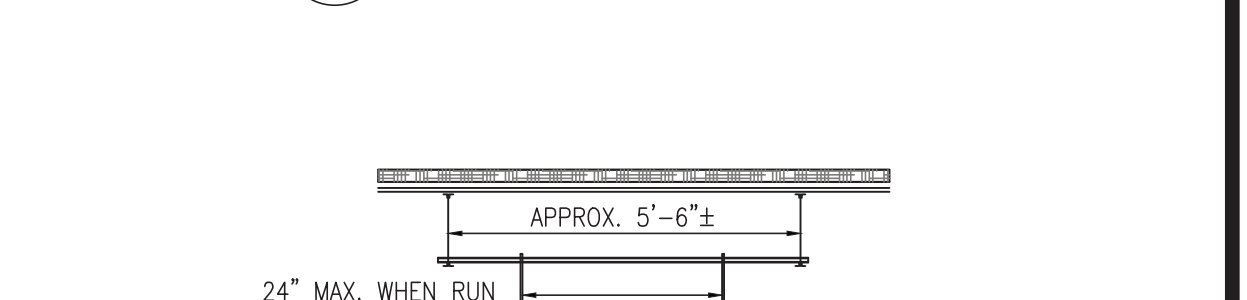
13 TYPICAL CONDENSATE DRAINS



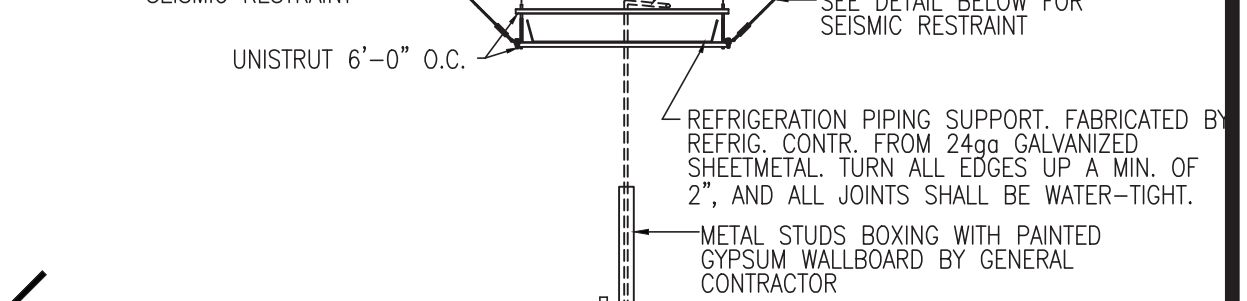
10 OVERHEAD REFRIGERATION PIPING DETAIL



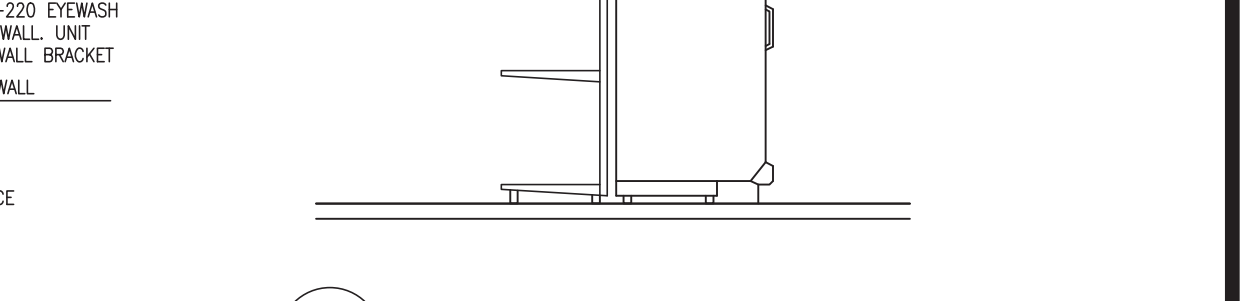
11 OVERHEAD REFRIGERATION PIPING DETAIL



12 OVERHEAD REFRIGERATION DRIP PAN DETAIL



13 TYPICAL CONDENSATE DRAINS



CONDENSATE DRAIN NOTES

- CONDENSATE DRAIN LINES TO BE 3/4" MIN. TYPE "M" COPPER WITH 1/2" MINIMUM STANDOFFS FROM WALL, BY PLUMBING CONTRACTOR.
- CONDENSATE DRAIN LINES FROM FREEZERS TO HAVE EASY HEAT COPPER TUBE HEATER 20 WATTS PER LINEAR FT. 120 V AC OR APPROVED EQUAL. TAP INSTALLATION BY REFRIGERATION CONTRACTOR.
- CONDENSATE DRAIN LINES SHALL LEAVE FREEZERS AT 45 DEGREE THROUGH WALL.
- ALL COPPER CONDENSATE PIPING TO BE PROVIDED WITH COPPER-COATED HANGERS AND CLAMPS. NO DISSIMILAR METAL ALLOWED. INSTALL ONE HANGER PER EVAPORATOR DRAIN (PRODUCE PREP & MEAT PREP).
- SLOPE IN COOLER 1/4" FOOT TO HUB DRAIN. SLOPE IN FREEZER 3/8" FOOT TO HUB DRAIN.
- EACH EVAPORATOR SHALL HAVE ITS OWN DRAIN LINE RUNNING TO HUB DRAIN.

1. THE COLOR FOR ALL WATER CLOSETS, URINALS AND LAUNDRIES SHALL BE "WHITE".
2. P-33 EMERGENCY EYE WASH STATION INSTALLED MOUNTED AT 36" AFF. SHOULD HAVE MIXING VALVE TO TEMPER WATER. FLOOR DRAIN NOT REQUIRED.
3. VTR'S SHALL BE A MINIMUM OF 10' FROM ANY FRESH AIR INTAKE, COORDINATE AS REQUIRED WITH MECHANICAL CONTRACTOR AND MECHANICAL ROOF PLAN.

FIXTURE NOTE:
FOR PLUMBING FIXTURES MARKED P-10, P-11, P-14, P-15, P-21 & P-22 THE SINK TUBS SHALL BE FABRICATED WITH 16 GAUGE STAINLESS STEEL & THE DRAIN BOARDS SHALL BE FABRICATED WITH 14 GAUGE STAINLESS STEEL. SEE THE 'FOOD LION' SINK SPECIFICATION FOR MORE INFORMATION.

INTERPLAN
INTERPLAN PLLC
P.0215
ARCHITECTURE
ENGINEERING
PERMITTING

220 E. CENTRAL PKWY, STE 4000
ALAMONTONE SPRINGS, FL 32701
407.845.5008
ARCHITECTS SEAL:

CORPORATE SEAL:
INTERPLAN, PLLC
51613
NORTH CAROLINA
PROFESSIONAL
SEAL
ORLANDO, FL

ENGINEER'S SEAL:
NORTH CAROLINA PROFESSIONAL ENGINEER
SEAL
043636
SACK TAYLOR HENSON

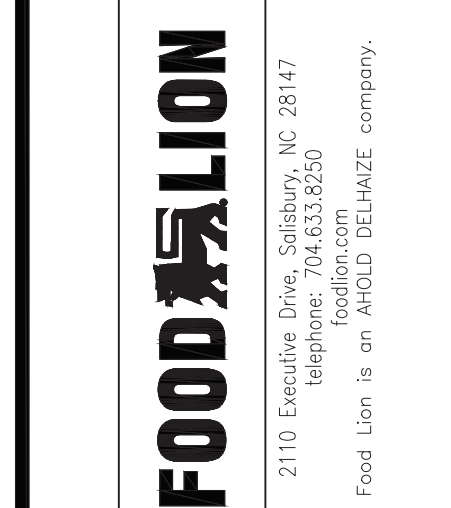
REVISIONS
NO DATE REMARKS

FOOD LION
2110 Executive Drive, Salisbury, NC 28147
Telephone: 704.63.82.50
Food Lion is an ANOLD DELHAIZE company.

FOOD LION
REMODEL
STORE #1237
133 MITTIE HADDOCK DRIVE
CAMERON, NC, 28326

PROJECT NO: 2023.0026
DATE: 09/06/23
30 OF 43
P6.01
PLUMBING SCHEDULE
AND DETAILS

CHECKED: DAK DRAWN: PRD
MIRMIK - 09/06/2023 2:42:55 PM



FOOD LION
REMODEL
STORE #1237
133 MITTIE HADDOCK DRIVE
CAMERON, NC, 28326

PROJECT NO: 2023.0026
DATE: 09/06/23

31 OF 43
E0.01
ELECTRICAL DEMOLITION
PLAN

CHECKED: SN DRAWN: MM/YO

MIRMIK - 09/06/2023 2:42:55 PM

ELECTRICAL DEMOLITION GENERAL NOTES

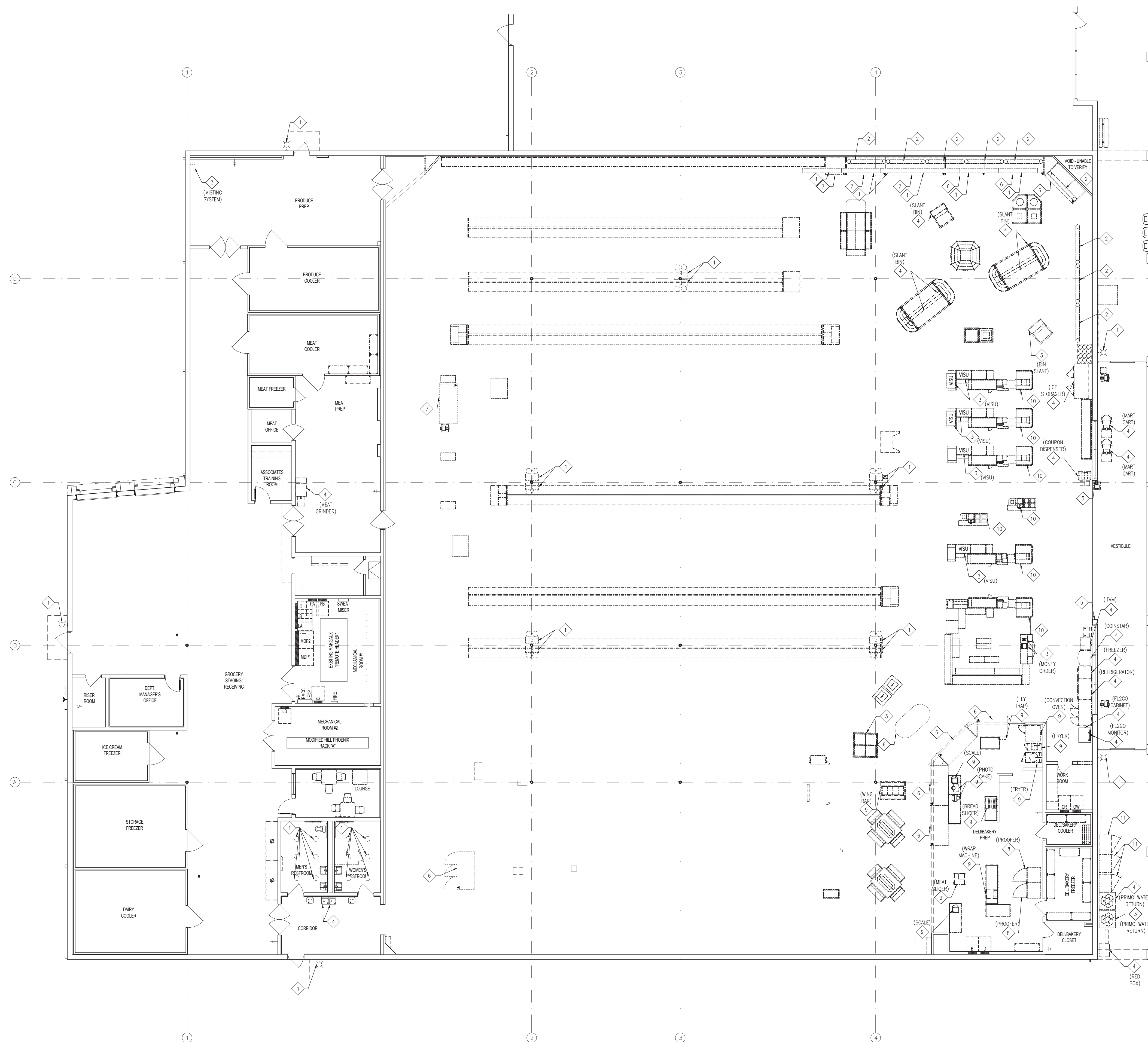
- ALL ACCESSIBLE ITEMS OF ELECTRICAL EQUIPMENT CONDUITS, WIRING, LIGHTS, RECEPTACLES, ETC. AFFECTED BY THE RENOVATION WORK AND NOT REQUIRED IN THE COMPLETED WORK SHALL BE CAREFULLY REMOVED. DAMAGED WALLS, FLOORS, CEILINGS, ETC. SHALL BE PATCHED AND FINISHED TO MATCH THE EXISTING ADJACENT SURFACES. REMOVED ITEMS SHALL BE PROPERLY DISPOSED OF OFF SITE AND NOT RE-USED EXCEPT AS NOTED. TURN OVER ALL EXISTING EQUIPMENT DESIRED BY BUILDING OWNER. ITEMS TO BE RE-USED SHALL BE CAREFULLY REMOVED AND STORED IN A PROTECTED AREA.
- REMOVE EXISTING UNUSED CIRCUITS IN PANELS NOT REQUIRED FOR COMPLETED WORK. UTILIZE EXISTING BREAKERS FOR NEW WORK SHOWN. PROVIDE NEW BREAKERS AS REQUIRED TO SERVE NEW CIRCUITS. LABEL ALL BREAKERS. LABEL ALL BREAKERS NOT USED AS SPARE.
- RECONNECT CIRCUITS AS REQUIRED TO MAINTAIN CONTINUITY TO EXISTING DEVICES AND EQUIPMENT NOTED TO REMAIN AS WELL AS ADJACENT AREAS WHICH ARE NOT IN CONTRACT.
- REMOVE UNUSED CONDUIT AND WIRE BACK TO SOURCE.
- ALL WIRING SHALL BE DONE IN STRICT ACCORDANCE WITH N.E.C. STANDARDS AND WITH FOOD LION STANDARDS. ALL WORK SHALL BE OF FIRST QUALITY. NO HAZARDOUS WORK WILL BE ACCEPTED. ELECTRICAL CONTRACTOR IS TO MAKE SURE THAT NO MC OR FLEX CABLES ARE USED UNLESS OTHERWISE NOTED. MC OR FLEX CABLES CAN ONLY BE USED IN SHORT RUNS FOR LIGHTING FEEDS. EMT MUST BE USED TO CONNECT PANEL TO JUNCTION BOX AND HAVE COMPRESSION TYPE FITTINGS. SEE SPECIFICATIONS FOR STANDARD PRACTICES.
- DO NOT DISRUPT THE PULL STATIONS, SAFE, OR ANY COMPONENT OF THE FIRE OR SECURITY SYSTEM WITHOUT FIRST CONTACTING FOOD LION PHYSICAL SECURITY (ARON ASHLEY) AT (704) 633-8250 ext. 3128.
- THE ELECTRICAL CONTRACTOR SHALL REVIEW THE HAZARDOUS MATERIAL REPORT, IF APPLICABLE, AND COORDINATE ALL HAZARDOUS MATERIAL REMOVAL WITH THE FOOD LION CONSTRUCTION SUPERVISOR.
- THE ELECTRICAL CONTRACTOR SHALL PHOTOGRAPH OR VIDEOTAPE EXISTING CONDITIONS IN AND AROUND THE STORE PRIOR TO BEGINNING CONSTRUCTION. PARTICULAR ATTENTION SHOULD BE DIRECTED TO THE CEILING, ALL LIGHTING AND PANELS.
- THE ELECTRICAL CONTRACTOR SHALL COORDINATE REMOVAL/RELOCATION OF LOTTERY EQUIPMENT WITH THE GENERAL CONTRACTOR AND THE FOOD LION CONSTRUCTION SUPERVISOR.
- ANY WORK IN REST ROOMS TO BE SCHEDULED TO ALLOW FOR AT LEAST ONE TO REMAIN OPEN AT ALL TIMES. COORDINATE WITH FOOD LION CONSTRUCTION SUPERVISOR. PROPER SIGNAGE MUST BE INSTALLED WITH UNISEX RESTROOMS, USE SLIDE LOCK. PROVIDED BY FOOD LION.

ELECTRICAL DEMOLITION KEY NOTES

- LIGHT FIXTURE TO BE REMOVED. DISCONNECT FIXTURE, REMOVE WIRE AND CONDUIT BACK TO NEAREST J-BOX, AND PROVIDE CIRCUITRY PROVISIONS NECESSARY TO MAINTAIN DOWNSTREAM LOADS. SAVE FIXTURES FOR FUTURE USE.
- LIGHTING FIXTURE TO BE RELOCATED. DISCONNECT LIGHT FIXTURE, REMOVE WIRE AND CONDUIT BACK TO NEAREST J-BOX AND PROVIDE CIRCUITRY PROVISIONS NECESSARY TO MAINTAIN DOWNSTREAM LOADS. ANY LIGHT FIXTURES TO BE REUSED ARE TO BE REMOVED AND STORED IN SUCH A MANNER THAT RENDERS THEM REUSABLE. GC SHALL STORE FIXTURES IN A SECURED TRAILER.
- EQUIPMENT TO BE REMOVED. ELECTRICAL CONTRACTOR SHALL DISCONNECT AS REQUIRED. REMOVE DEVICES, WIRE, CONDUITS, ETC. AND LABEL BREAKERS AS "SPARE" FOR NON-REUSED CIRCUITS.
- EQUIPMENT TO BE RELOCATED. ELECTRICAL CONTRACTOR SHALL DISCONNECT AS REQUIRED. REMOVE DEVICES, WIRE, CONDUITS, ETC. AND EXTEND CIRCUITRY AND RECONNECT AS REQUIRED TO NEW LOCATION. REFER TO E1.02 FOR ADDITIONAL INFORMATION.
- CONDUITS ON THIS WALL TO BE RECESSED BEHIND GWB OR REMOVED IF NOT USED.
- REFRIGERATED CASE TO BE REMOVED. COORDINATE REQUIREMENTS WITH THE REFRIGERATION CONTRACTOR. REFER TO E1.03 FOR ADDITIONAL INFORMATION.
- REFRIGERATED CASE TO BE RELOCATED. COORDINATE REQUIREMENTS WITH THE REFRIGERATION CONTRACTOR. REFER TO E1.03 FOR ADDITIONAL INFORMATION.
- DELI/BAKERY EQUIPMENT TO BE REMOVED. ELECTRICAL CONTRACTOR SHALL DISCONNECT AS REQUIRED. REMOVE DEVICES, WIRE, CONDUITS, ETC. AND LABEL BREAKERS AS "SPARE" FOR NON-REUSED CIRCUITS.
- DELI/BAKERY EQUIPMENT TO BE RELOCATED. ELECTRICAL CONTRACTOR SHALL DISCONNECT AS REQUIRED. REMOVE DEVICES, WIRE, CONDUITS, ETC. AND EXTEND CIRCUITRY AND RECONNECT AS REQUIRED TO NEW LOCATION. REFER TO E4.01 FOR ADDITIONAL INFORMATION.
- ELECTRICAL CONTRACTOR SHALL DISCONNECT CHECK STAND AND ASSOCIATED EQUIPMENT. ELECTRICAL CONTRACTOR SHALL PULL ALL POINT OF SALE EQUIPMENT, FOOD LION ELECTRICAL CONTRACTOR SHALL REMOVE AND DISPOSE OF CHECK STANDS. CIRCUITRY TO REMAIN FOR REUSE.
- PROPANE EXCHANGE TO BE RELOCATED. ELECTRICAL CONTRACTOR SHALL FIELD VERIFY THAT ALL ELECTRICAL CONNECTIONS ARE CAPPED OFF WITHIN 5' OF THE FINAL LOCATION OF THE RELOCATED PROPANE EXCHANGES. ELECTRICAL CONTRACTOR SHALL REMOVE ALL WIRING AND CAP OFF CONDUITS.

LEGEND

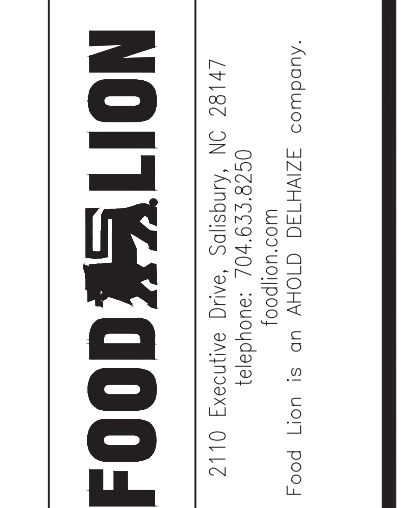
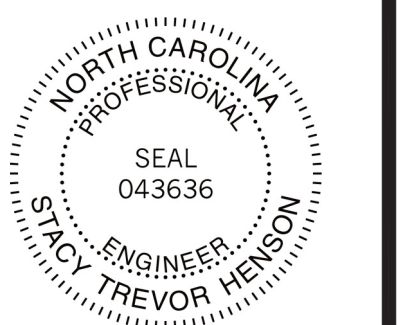
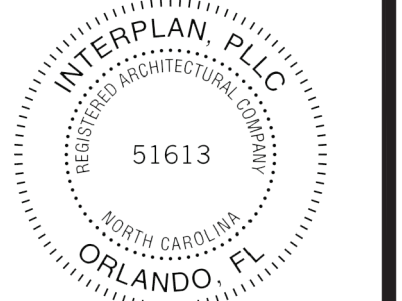
- ITEMS TO BE REMOVED AS NOTED ON PLAN
- ITEMS TO BE RELOCATED



1 ELECTRICAL DEMOLITION PLAN
E0.01 SCALE: 3/32" = 1'-0"



COPYRIGHT © 2023 INTERPLAN, PLLC. ALL RIGHTS RESERVED. NO PART OF THIS DOCUMENT IS TO BE REPRODUCED, REPRINTED, COPIED, OR TRANSMITTED IN ANY FORM OR BY ANY MEANS, ELECTRONIC OR MECHANICAL, WITHOUT PERMISSION IN WRITING FROM INTERPLAN, PLLC. CHANGES OR ASSIGNMENTS ARE PROHIBITED.



SYMBOL LEGEND			
	NEW LIGHTS		EXISTING EXIT LIGHTS
	RELOCATED LIGHTS		NEW/RELOCATED EXIT LIGHTS
	EXISTING LIGHTS		EXISTING EMERGENCY LIGHTS
	NEW NIGHT LIGHTS		NEW EMERGENCY LIGHTS
	NEW LIGHTS WITH TUBE SHIELDS		ENERGY MANAGEMENT LOAD NUMBER
	EXISTING COOLER/FREEZER LIGHTS		NEW UP-LIGHTING
	NEW/RELOCATED COOLER/FREEZER LIGHTS		POWERED TRELLIS
			NON-POWERED TRELLIS

GENERAL NOTES:

- LIGHT FIXTURES SHALL BE MANUFACTURED BY LITHONIA UNLESS NOTED OTHERWISE. PURCHASE FROM PENNSYLVANIA AT THE NATIONAL CONTRACT PRICE. FOR PURCHASE, CONTACT PENNSYLVANIA AT 1-800-573-1514 EXT. 0066. THE ELECTRICAL CONTRACTOR SHALL BE RESPONSIBLE FOR VERIFYING ALL QUANTITIES, RATINGS, LENGTHS, ETC. ANY DISCREPANCIES SHALL BE RESOLVED WITH PENNSYLVANIA PRIOR TO BID. CONTRACTOR SHALL BE RESPONSIBLE FOR ANY ADDITION TO THE BILL OF MATERIALS DUE TO LOCAL, STATE GOVERNMENTAL CODES.
- EMERGENCY & EXIT LIGHTS SHOWN ARE A MINIMUM. ENGINEER OF RECORD SHALL PROVIDE EMERGENCY LIGHT FIXTURES IN ACCORDANCE WITH LIFE SAFETY CODE 101 SECTION 5-9 AND LOCAL ORDINANCE.
- ALL JUNCTION BOXES LOCATED IN NEW COOLERS & FREEZERS ARE TO BE WEATHERPROOF. AFTER WIRING IS COMPLETE, SEAL ALL PENETRATIONS PER NEC 370-15 TO PREVENT MOISTURE TRANSFER AND ACCUMULATION. ANY MOISTURE ACCUMULATION/CONDENSATION OR ICE PRESENT WITHIN A REFRIGERATED SPACE, CONDUIT BODY, ELECTRICAL BOX OR FIXTURE SHALL BE REMOVED WHILE THE ENTRY POINT IS PROPERLY REPAIRED/SEALED.
- ALL NEW LIGHT SWITCHES ARE TO BE MOUNTED NO MORE THAN 48" A.T.F. PER THE REQUIREMENTS OF A.D.A.
- ELECTRICAL CONTRACTOR IS RESPONSIBLE FOR RUNNING ALL NEW WIRING TO PANELS & CONNECTION OF ALL FIXTURES.
- ELECTRICAL CONTRACTOR SHALL SUPPLY & INSTALL END CAPS ON BOTH ENDS OF EVERY NEW LIGHT FIXTURE RUN. NO END CAPS SHALL BE INSTALLED BETWEEN TWO ADJOINING FIXTURES.
- ELECTRICAL CONTRACTOR SHALL SUPPLY & INSTALL JUNCTION BOXES ABOVE BAR JOISTS.
- ALL EMERGENCY LIGHTING SHALL BE ON A SCHEDULED CIRCUIT, AND ON THE LINE SIDE OF ANY ENERGY MANAGEMENT CONTROLS.
- "NL" INDICATES FIXTURES ON A NIGHT LIGHT CIRCUIT.
- ALL HOME RUNS SHALL GO TO EXISTING PANELS, UNLESS INDICATED OTHERWISE. THE ELECTRICAL CONTRACTOR SHALL VERIFY SIZE WITH EQUIPMENT AND SUPPLY ALL NEW BREAKERS AND RE-SIZED BREAKERS FOR EXISTING CIRCUITS AS REQUIRED.
- ALL NEW WIRING SHALL BE DONE IN STRICT ACCORDANCE WITH N.E.C. STANDARDS AND WITH FOOD LION STANDARDS. NO SLOPPY OR HAZARDOUS WORK WILL BE ACCEPTED, NO COLOR CHANGES IN WIRE RUNS, MISLABELED CIRCUITS, ETC.
- ELECTRICAL CONTRACTOR IS TO MAKE SURE THAT NO MC OR FLEX CABLES ARE USED UNLESS OTHERWISE NOTED. MC OR FLEX CABLES CAN ONLY BE USED IN SHORT RUNS FOR LIGHTING FEEDS. ELECTRICAL METAL TUBING MUST BE USED TO CONNECT PANEL TO JUNCTION BOX AND HAVE COMPRESSION TYPE FITTINGS. SEE SPECIFICATIONS FOR STANDARD PRACTICES.
- ELECTRICAL CONTRACTOR SHALL INSTALL WIRE GUARDS OVER NEW LIGHTS ON 8'-0" CEILINGS OR LOWER THROUGHOUT THE ENTIRE STORE.
- PROVIDE TUBE SHIELDS FOR ALL NEW LAMPS IDENTIFIED WITH "TS" INCLUDING BUT NOT LIMITED TO FIXTURES IN PRODUCE PREP AND PRODUCE SALES. SEE LIGHTING SCHEDULE ON SHEET E6.02
- ALL UP-LIGHTING ATOP THE PERIMETER HIGH DECK REFRIGERATED CASES SHALL BE TYPE "OZA" OR "OZAI" (SEE LIGHT FIXTURE SCHEDULE ON SHT. E6.02). UP-LIGHTING SHALL BE INSTALLED THRU THE ENERGY MANAGEMENT SYSTEM; REFER TO E6.03 FOR CORRECT LOAD #. INSTALL A COMBINATION OF 4' AND 8' LIGHT FIXTURES ABOVE THE CASES FOR EVEN LIGHT DISTRIBUTION ALONG THE WALLS. EXAMPLE: 8' CASE SHOULD GET (2) 4' LIGHT FIXTURES OVERLAPPED. LIGHTING TO BE INSTALLED AT LEAST 8" IN FROM THE EDGES OF THE CASES AND AS CLOSE TO THE FRONT OF THE CASE AS THE VALANCE WILL ALLOW.
- THE FOOD LION STOREFRONT SIGN IS FURNISHED & INSTALLED BY OTHERS. THE ELECTRICAL CONTRACTOR SHALL PROVIDE PIG-TAILS, FINAL CONNECT WIRE STOREFRONT SIGN AND WIRE TO APPROPRIATE CIRCUITS.
- ANY LIGHT FIXTURES TO BE REUSED ARE TO BE REMOVED AND STORED IN A MANNER THAT RENDERS THEM REUSABLE IN A SECURED TRAILER BY THE GC/EC.
- ALL "E" LIGHTING SHALL BE ON A DEDICATED OR LABELED CIRCUIT AND BE ON THE LINE SIDE OF ANY ENERGY MANAGEMENT CONTROLS. SEE DETAIL 7/E2.01.

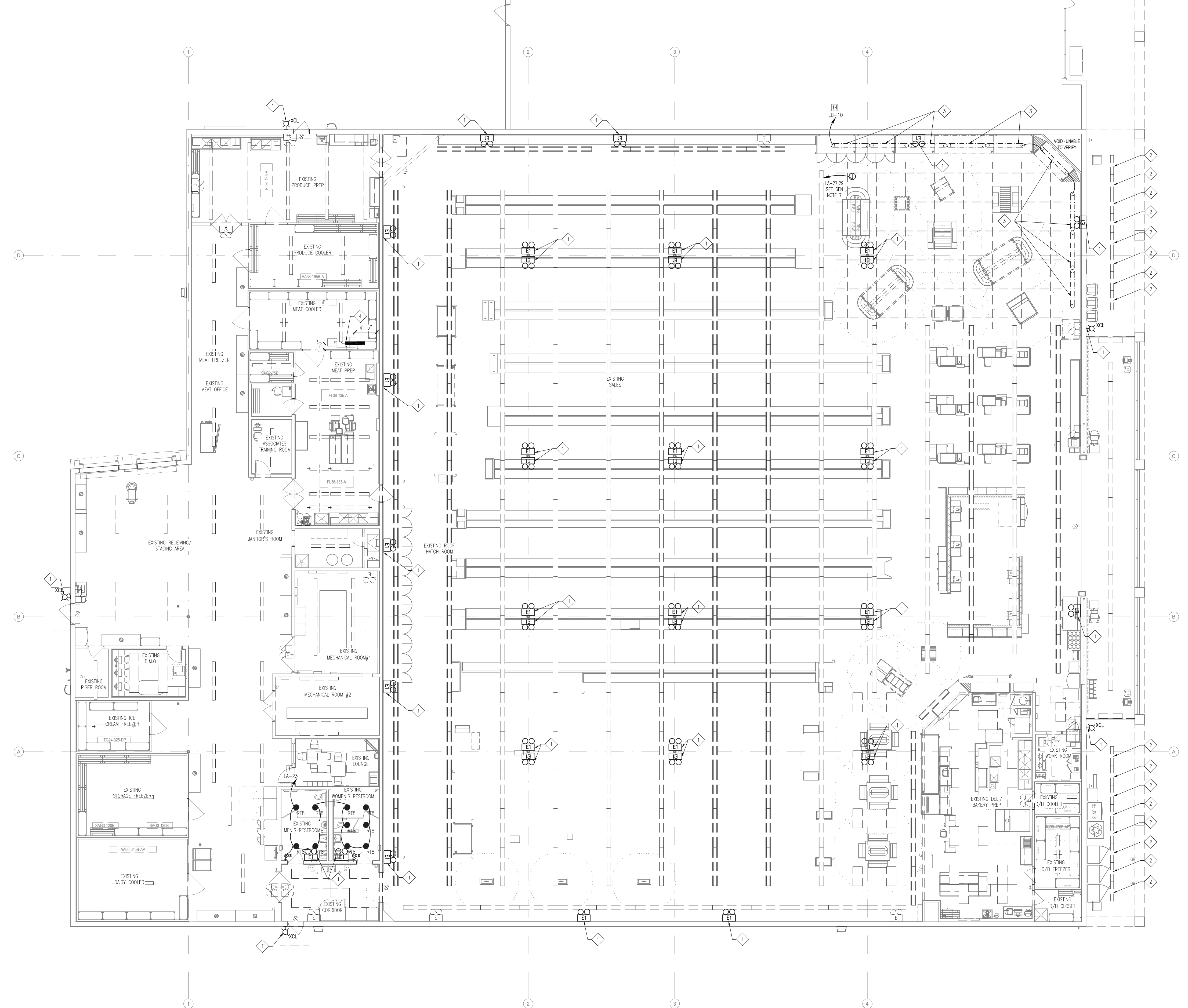
REFER TO SHEET E6.02 FOR LIGHT FIXTURE SCHEDULE
REFER TO SHEET E6.03 FOR ENERGY MANAGEMENT SYSTEM NOTES

HANGING TRACK SYSTEM NOTES: (SUPPLIED BY FOOD LION)

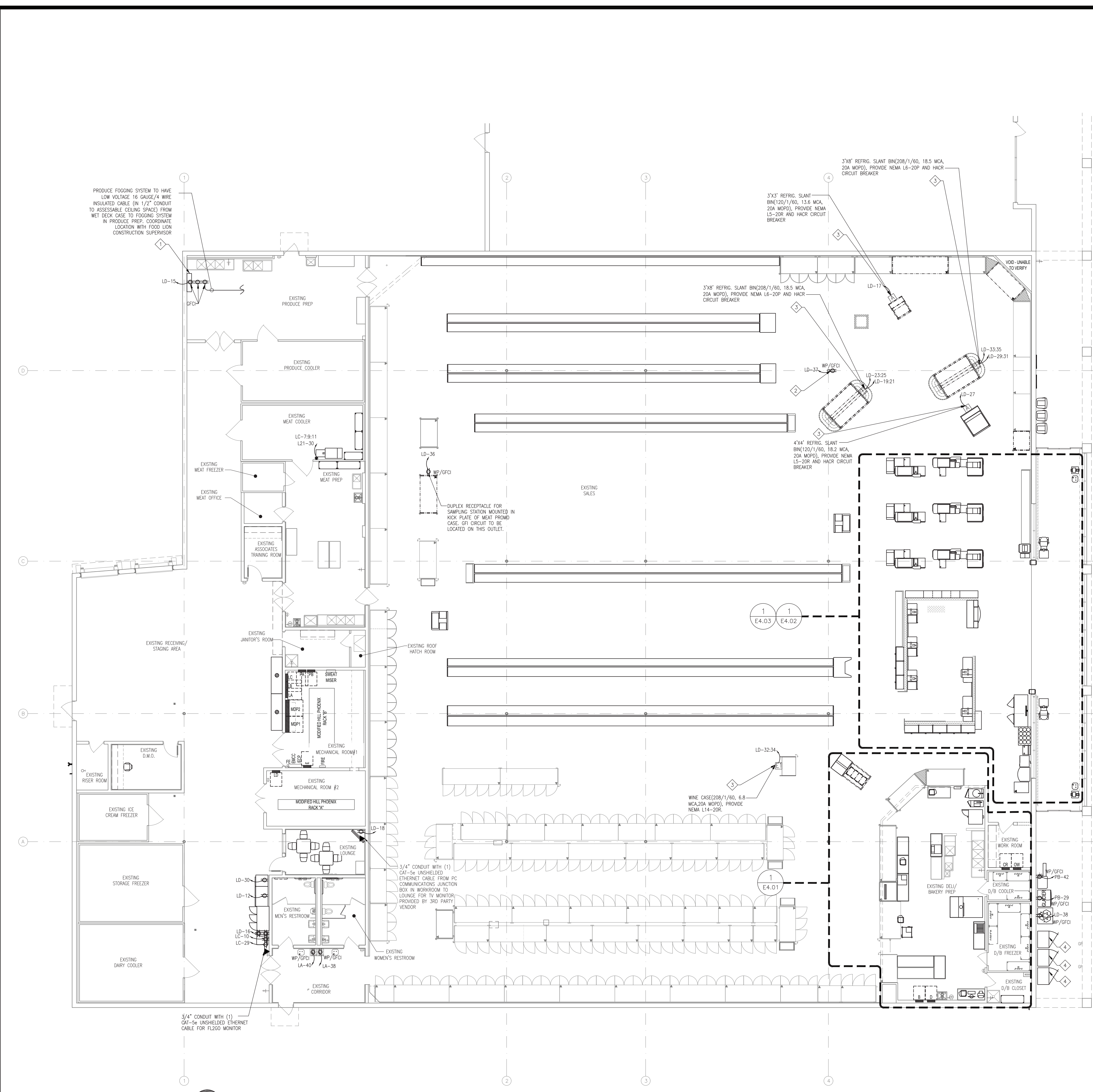
- PRODUCE AREA EQUIPMENT: (SILVER COATED)**
2 CIRCUIT SILVER TRACK BY BUS STRUT, PROVIDED BY FOOD LION, INSTALLED BY DECOR VENDOR, WIRED BY ELECTRICAL CONTRACTOR.
- ELECTRICAL:**
THE TRACK SYSTEM WILL HAVE A SINGLE CORNER DROP FROM A 4"x4" JUNCTION BOX STRATEGICALLY LOCATED IN THE BAR JOISTS ABOVE THIS AREA. BX CORD TO BE SILVER. ELECTRICAL CONTRACTOR TO PROVIDE TWO (2) 20 AMP CIRCUITS. ELECTRICIAN WILL NEED 90-DEGREE CONNECTOR INTO KNOCKOUT OF FITTING.
- TRELLIS SCENARIOS:**
- EXISTING TRELLIS (1 CIRCUIT TRACK) TO REMAIN- NO CHANGES. EXISTING TRELLIS WILL REMAIN ON SINGLE ELECTRICAL CIRCUIT AND EMS LOAD 1.
 - EXISTING TRELLIS (2 CIRCUIT TRACK) TO REMAIN- EC TO VERIFY 2 ELECTRICAL CIRCUITS ARE DEDICATED AND SPLIT 1/3 VS. 2/3 ON EMS LOADS 1 & 9.
 - EXISTING TRELLIS TO BE REPLACED WITH BUS STRUT- EC TO VERIFY 2 ELECTRICAL CIRCUITS ARE DEDICATED ON EMS LOADS 1.
 - NO TRELLIS EXISTING, ADDING BUS STRUT- REQUIRES 2 DEDICATED CIRCUITS, ON EMS LOADS 1.
- TRELLIS MOUNTING HEIGHTS (APPLICABLE TO NEW TRELLISES):**
- 10' AFF CEILING- MOUNT TRELLIS TO CEILING, MAINTAIN 8" MIN. HORIZONTAL CLEARANCE FROM SPRINKLER HEADS.
 - 11' AFF CEILING- MOUNT TRELLIS TO CEILING, MAINTAIN 8" MIN. HORIZONTAL CLEARANCE FROM SPRINKLER HEADS.
 - 12' AFF CEILING & HIGHER- MOUNT AT 10'-6" AFF.
 - GARDEN COOLER INTERIOR- MOUNT TRELLIS AT 10'-6" AFF
 - GARDEN COOLER SALES AREA- SEE ABOVE.
- BUS STRUT CONTACT:**
ELIZABETH DURBIN (614)933-8695 X. 1006
EADURENB@BUSSTRUT.COM

- LIGHTING PLAN KEY NOTES**
- CONNECT NEW LIGHTS TO EXISTING EMERGENCY CIRCUIT. ELECTRICAL CONTRACTOR TO VERIFY EXISTING CIRCUIT IS NOT OVERLOADED.
 - CLEAN FRONT CANOPY LIGHT FIXTURES. COORDINATE WITH FOOD LION CONSTRUCTION MANAGER FOR MORE INFORMATION.
 - EXISTING LIGHT FIXTURE, RELOCATED. CONNECT TO NEW LIGHTING CIRCUITS FOR NEW LOCATION OF FIXTURE. FIELD VERIFY EXISTING CONDITIONS. DO NOT OVERLOAD EXISTING CIRCUITS.
 - NEW LIGHT FIXTURE TO MATCH EXISTING, CONNECT TO EXISTING ELECTRICAL CIRCUIT. FIELD VERIFY EXISTING CONDITIONS; ELECTRICAL CONTRACTOR TO VERIFY EXISTING CIRCUIT IS NOT OVERLOADED.

- ELECTRICAL DEFICIENCIES TO BE REPAIRED:**
- EMERGENCY LIGHTING, WIRING ISSUE/FED FROM PANEL LB (#12, #40, #42) & PANEL LC (#32) LIGHTS AT BOTH RESTROOMS WERE CONFIRMED TO NOT ILLUMINATE WHEN ABOVE CIRCUITS WERE DE-ENERGIZED. LIGHTS AT ALL SALES FLOOR, AISLES AND PERIMETER WALLS WERE CONFIRMED TO NOT ILLUMINATE WHEN ABOVE CIRCUITS WERE DE-ENERGIZED. LIGHTS AT FRONT END WERE CONFIRMED TO NOT ILLUMINATE WHEN ABOVE CIRCUITS WERE DE-ENERGIZED. LIGHTS AT OSD AND BATHROOM CORRIDOR WERE CONFIRMED TO NOT ILLUMINATE WHEN ABOVE CIRCUITS WERE DE-ENERGIZED. REPAIR. ALL EMERGENCY LIGHTING SHALL BE FED FROM A BRANCH CIRCUIT PANELBOARD, ON THE LINE SIDE OF ANY ENERGY MANAGEMENT CONTROLS, AND SHALL BE LABELED / SCHEDULED AS SUCH.
 - UPDATE EGRESS LIGHTING/UPDATE FIXTURES ON THE FOLLOWING DOORS: ENTRANCE RIGHT, ENTRANCE LEFT, SIDE LEFT, OSD, SIDE RIGHT. WORK WITH OWNER ON FIXTURE SELECTION.



COPYRIGHT © 2023 INTERPLAN PLLC. ALL RIGHTS RESERVED. THIS DOCUMENT IS THE ORIGINAL SITE OR PURPOSE FOR WHICH THEY WERE PREPARED. REPRODUCTIONS, CHANGES OR ASSIGNMENTS ARE PROHIBITED.



- LEGEND:**
- ⊕ QUAD RECEPTACLE
 - ⊙ JUNCTION BOX
 - WP WEATHERPROOF DUPLEX RECEPTACLE
 - GFI GROUND FAULT INTERRUPTING RECEPTACLE
 - IG ISOLATED GROUND RECEPTACLE
 - ⊖ SPECIAL USE RECEPTACLE, VOLTAGE, PHASE AND AMPERAGE BASED ON LOAD SERVED. COORDINATE NEMA CONFIGURATION WITH EQUIPMENT REQUIREMENTS.
 - ⊞ SWITCH
 - ⊞ FLOOR STUB UP
 - ⊞ DISCONNECT SWITCH-TYPE AS NOTED
 - ⊞ ELECTRICAL DROP FROM OVERHEAD
 - ⊞ EXISTING ELECTRICAL STUB-UP
 - ⊞ TELE-POWER POLE
 - ⊞ ELECTRICAL CONNECTION UNDER CASE
 - ⊞ MAGNETIC SWITCH (EXISTING)

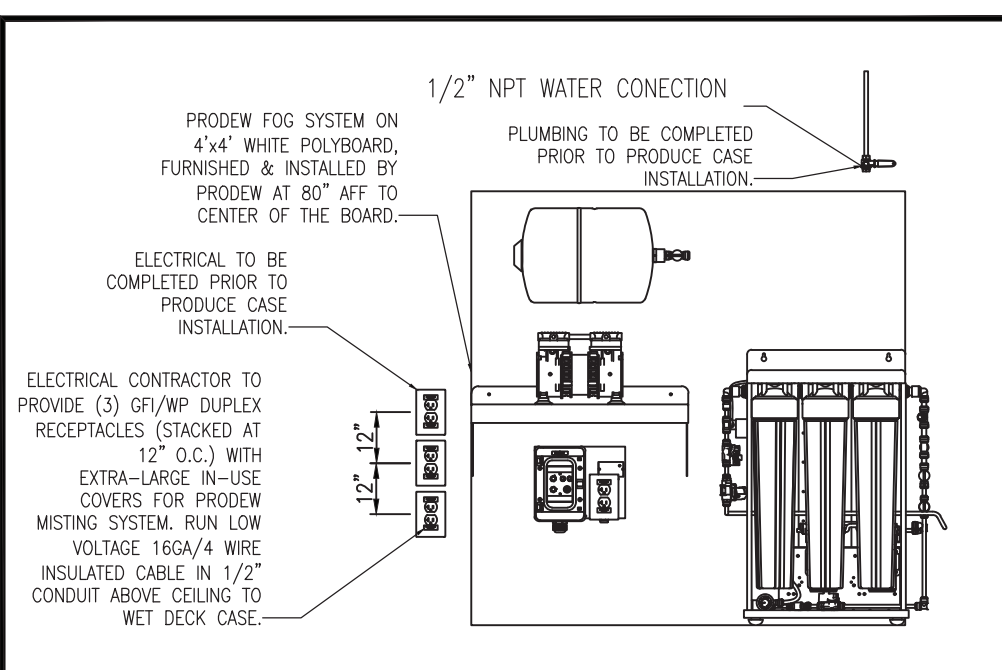
- POWER PLAN KEY NOTES**
- EC TO PROVIDE THREE(3) DUPLEX RECEPTACLES (ON 1 DIRTY POWER CIRCUIT) FOR PRODUCE FOGGING SYSTEM MOUNTED AT 72" AFF. COORDINATE LOCATION WITH FOOD LION CONSTRUCTION MANAGER.
 - DUPLEX RECEPTACLE MOUNTED 18" AFF (CONVENIENCE OUTLET).
 - REFER TO TELE-POWER POLE INSTALLATION NOTES ON THIS SHEET.
 - THE ELECTRICAL CONTRACTOR SHALL FIELD VERIFY THAT ALL ELECTRICAL CONNECTIONS ARE CAPPED OFF WITHIN 5' OF THE FINAL LOCATION OF THE RELOCATED PROPANE EXCHANGES. ELECTRICAL CONTRACTOR SHALL REMOVE ALL WIRING AND CAP OFF CONDUITS.

- ELECTRICAL DEFICIENCIES TO BE REPAIRED:**
- GRINDER - REPAIR/MEAT PREP/INSTALL STRAIN RELIEF ON CORD DROP.

- GENERAL NOTES:**
- DIMENSIONS FOR CONDUIT STUB-UPS IN SALES AREA ARE TO BE HELD WITHIN 1".
 - ANY EXPOSED CONDUIT IN PREP AREAS SHALL BE SECURELY FASTENED IN PLACE AS PER CODE.
 - ALL DUPLEX RECEPTACLES SHALL BE MOUNTED 18" AFF. UNLESS NOTED OTHERWISE.
 - CONDENSATION DRAIN HEAT TAPE RECEPTACLES FOR THE ICE CREAM STORAGE AND MEAT/DELI/BAKERY FREEZERS SHALL BE INSTALLED TO CEILING NEAR THE DRAIN END OF EVAPORATOR AFTER THE EVAPORATOR HAS BEEN INSTALLED.
 - THE MECHANICAL CONTRACTOR SHALL SUPPLY THE AIR CURTAINS, AIR CURTAIN MOUNTING BRACKETS AND MICRO-SWITCHES.
 - THE ELECTRICAL CONTRACTOR SHALL INSTALL AND WIRE THE MICRO-SWITCH FOR AIR CURTAIN CONTROL.
 - ALL NEW AND EXISTING RECEPTACLES IN PREP AREAS SHALL HAVE "IN-USE" WATERPROOF RECEPTACLE COVERS.
 - ALL NEW DISCONNECTS SHALL BE "G.E." GENERAL DUTY.
 - ALL NEW HOME RUNS SHALL GO TO EXISTING PANELS, UNLESS INDICATED OTHERWISE.
 - THE ELECTRICAL CONTRACTOR IS RESPONSIBLE FOR RUNNING ALL WIRING TO PANELS. THE ELECTRICAL CONTRACTOR SHALL PROVIDE ALL CONDUIT AND CABLE AS SHOWN ON DRAWINGS.
 - ALL WIRING SHALL BE DONE IN STRICT ACCORDANCE WITH N.E.C. STANDARDS AND WITH FOOD LION STANDARDS. ONLY NEAT, FIRST QUALITY WORK WILL BE ACCEPTED.
 - ELECTRICAL CONTRACTOR IS NOT PERMITTED TO USE MC, BX CABLE, SO CORD OR ANY FLEXIBLE CONDUIT/WIRING METHODS AS A PERMANENT METHOD OF POWERING EQUIPMENT, UNLESS OTHERWISE NOTED WITHIN THE DRAWINGS. SHORT RUNS OF FLEXIBLE CONDUIT (4'-6') ARE PERMITTED FROM JUNCTION BOX TO LIGHT FIXTURES OR AS STATED IN THE FOOD LION SPECIFICATIONS 16402- PART 3.
 - ELECTRICAL CONTRACTOR SHALL BE RESPONSIBLE FOR SUPPLYING ALL ELECTRICAL EQUIPMENT NEEDED FOR ALL NEW AND RELOCATED MECHANICAL EQUIPMENT. COORDINATE ELECTRICAL HOOK-UPS WITH MECHANICAL CONTRACTOR.
 - ELECTRICAL CONTRACTOR SHALL BE RESPONSIBLE FOR ENSURING ALL OPEN JUNCTION BOXES, PANELS, BREAKER SPACES, RECEPTACLES AND WIRING RACEWAYS HAVE PROPER COVER PLATES INSTALLED THROUGHOUT THE STORE. REPLACE ALL MISSING, BROKEN OR OTHERWISE DEFICIENT COVER PLATES. NON WEATHERPROOF DEVICE COVERS TO BE STAINLESS STEEL WEATHERPROOF DEVICE COVERS ARE TO BE INSTALLED IN PREP AREAS AND ON THE EXTERIOR. ALL WEATHERPROOF COVERS TO BE ALUMINUM.
 - ALL NEW DISCONNECTS SHALL BE GENERAL ELECTRIC, GENERAL DUTY AT A MINIMUM, 30 RATED AS REQUIRED, AND NON OTHER UNLESS SPECIFIED OTHERWISE BY EQUIPMENT MANUFACTURER.
 - ALL BRANCH CIRCUIT PANEL BOARDS SHALL BE VACUUMED. ALL ELECTRICAL ENCLOSURE COVERS SHALL BE INSTALLED AND ADEQUATELY SECURED TO OBTAIN PROJECT CLOSE OUT.
 - ALL BRANCH CIRCUIT PANEL BOARDS, SAFETY DISCONNECTS, ELECTRICAL DISTRIBUTION EQUIPMENT, MAIN BREAKERS, AND MAIN SERVICE DISCONNECTS SHALL BE LABELED WITH PHENOLIC TAGS, BLACK ON WHITE, 1.5" TALL DISTRIBUTION SECTIONS SHALL BE LABELED ACCORDING TO AFD FLASH LABELS.
 - A FOOD LION ELECTRICAL CONTRACTOR (MID-CAROLINA) WILL INSTALL THE FRONT-END ELECTRICAL. THIS INCLUDES AND IS LIMITED TO ALL CHECK STANDS, CIGARETTE KIOSK, AND CUSTOMER SERVICE COUNTERS. THIS INCLUDES SETTING AND HANDLING ALL EQUIPMENT. CLEAN AND DIRTY POWER ASSOCIATED CTS AND BELDON CABLES. THIS SCOPE OF WORK SHALL BE INCLUDED IN THE PERMIT AND COORDINATED AS SUCH. THE BID ELECTRICAL CONTRACTOR SHALL BE ON SITE THE NIGHT OF THE FRONT END CHANGE OUTS. PROVIDE & INSTALL TELEPOLES.
 - THE ELECTRICAL CONTRACTOR IS RESPONSIBLE FOR THE POWER/COMMUNICATIONS FOR THE PC TRAINING ROOM. OSD COUNTER AND ALL CTS CABLES NOT RELATED TO THE REGISTERS, CIGARETTE KIOSK AND CUSTOMER SERVICE COUNTER. ALL RECEPTACLES ARE TO BE MOUNTED ABOVE THE COUNTER TOPS WITH WIRING SECURED AT OUTLETS.
 - FREEZER DOOR SWITCHES SHALL BE PROVIDED BY REFRIGERATION CONTRACTOR. ELECTRICAL CONTRACTOR SHALL MOUNT SENSOR, PROVIDE CONDUIT AND PROVIDE 3 PAR, 22 GAUGE SHIELDED CABLE FROM FREEZER TO RACK ROOM. REFRIGERATION CONTRACTOR WILL PERFORM FINAL TERMINATION.
 - GO TO PRINT ALL EXPOSED CONDUIT IN PRODUCE PREP AND MEAT PREP WHITE.
 - ALL ELECTRIC POWER, DISCONNECTS, ETC. LOCATED IN WET AREAS (MEAT PREP, PRODUCE PREP, ETC.) TO BE WATERPROOF BOXES.
 - REMOVAL/RELOCATION OF ECOFLAR FLY TRAPS TO BE COORDINATED WITH VENDOR VIA FOOD LION CONSTRUCTION MANAGER. EC TO PROVIDE POWER.

- TELEPOWER POLE INSTALLATION NOTES**
- CONDUITS FROM "CR" & "OW" SHALL BE AS FOLLOWS:
 - (1) 1" CONDUIT FROM PANEL "CR" - TWO CHECKOUTS MAXIMUM PER CONDUIT. PROVIDE ADDITIONAL CONDUITS AS REQUIRED.
 - (2) 1" CONDUIT FROM PANEL "OW" DEDICATED TO DIRTY POWER FOR BELT MOUNT, SENSOR-MATIC DEACTIVATION PADS & GENERAL RECEPTACLES.
 - CASH REGISTER CIRCUITS SHALL BE PROVIDED WITH DEDICATED NEUTRAL AND GREEN DEDICATED CIRCUIT.
 - BX CABLES SHALL BE INSTALLED WITH INSULATED THROATS AND APPROVED CONNECTORS.
 - ELECTRICAL CONTRACTOR SHALL ENSURE THAT THE TELEPOLES ARE INSTALLED SECURE AND PLUMB; TOP CONNECTION OF TELEPOLE TO BAR JOIST SHALL BE CONNECTED WITH A LEGRAND/WIREMOLD SLIDING SUPPORT, #E63204 (2-CHANNEL), THAT WILL ALLOW DEFLECTION OF THE BAR JOIST WITHOUT BOWING THE TELEPOLE.
 - INSTALL ADAPTER TO REGISTER STAND TOP. A HOLE IS PROVIDED IN REGISTER STAND TOP (AND COUNTER TOP AT CUSTOMER SERVICE) AT THE DESIRED LOCATION. THE ADAPTER MUST BE INSTALLED SO THAT POLES GROMMETED OPENING AND POWER CORD ARE FACING TOWARDS THE REAR OF THE STORE.
 - TELEPOLE CUT IN THE FIELD TO BE CUT AT THE TOP ONLY AND FILED SMOOTH.
 - NEW TELEPOLES TO BE FURNISHED & INSTALLED AS FOLLOWS:
 - TELEPOLES AT CHECKSTANDS - FOOD LION VENDOR
 - TELEPOLES IN SALES AREA (PRODUCE, WINE, CENTER STORE, ETC.) - ELECTRICAL CONTRACTOR.

- INSTALL TELEPOLES AFTER EQUIPMENT HAS BEEN SET. TELEPOLES SHALL BE PURCHASED THROUGH LOCAL LEGRAND/WIREMOLD DISTRIBUTOR. MODEL NUMBERS REFERENCED BELOW ARE FOOD LION SPECIFIC MODEL NUMBERS ASSIGNED BY LEGRAND/WIREMOLD. DISTRIBUTOR SHALL COORDINATE MODEL NUMBERS WITH LEGRAND/WIREMOLD. MODEL NUMBERS INCLUDE POLE ADAPTOR, TRIM PLATE, (2) TEE CLAMPS, 2#20" CLEAR ANODIZED ALUMINUM POLES UNLESS NOTED OTHERWISE. MOUNT WITH LARGER DIMENSION OF THE TELEPOLE RUNNING BACK TO FRONT.
- COORDINATE EXACT TELEPOLE LOCATION WITH FOOD LION CONSTRUCTION MANAGER DURING TIME OF STORE SET.
 - REAR SECTION OF TELEPOLE IS FOR POWER, FRONT SECTION IS FOR COMMUNICATIONS.
- MODEL #'S**
- BY ELECTRICAL CONTRACTOR (N.A.O.)**
- [A] FLAMP0573
 - SPL AMTP-415 15FT 2-CHANNEL POLE WITH (1) L5-20R, STANDARD GRAY BOOT
 - 3x3 & 4x4 SLANT BINS
 - [B] FLAMP0574
 - SPL AMTP-415 15FT 2-CHANNEL POLE WITH (2) L6-20R (2 CIRCUITS), STANDARD GRAY BOOT
 - 3x6 BIN, 3x8 BIN, 5x5 BERRY QUAD
 - [C] FLAMP0746
 - SPL AMTP-415 15FT 2-CHANNEL POLE WITH (2) L6-20R (2 CIRCUITS), (1) DUPLEX RECEPTACLE (1 CIRCUIT), STANDARD GRAY BOOT
 - 3x6 BIN, 3x8 BIN, 5x5 BERRY QUAD
 - [D] FLAMP0739
 - SPL AMTP-415 15FT 2-CHANNEL POLE WITH (2) L6-30R (2 CIRCUITS), STANDARD GRAY BOOT
 - LARGE BERRY BIN
 - [E] FLAMP077
 - SPL AMTC-415 15FT 2-CHANNEL POLE NO RECEPTACLE REQUIRED, STANDARD GRAY BOOT
 - WING BAR
 - TUB CASES
 - CUSTOMER SERVICE COUNTER
 - SELF-CHECKOUTS
 - [F] FLAMP0741
 - SPL AMTP-415 15FT 2-CHANNEL POLE WITH (1) L14-20R SIMPLEX, STANDARD GRAY BOOT
 - SELF-CONTAINED (SHORT) WINE CASE (M-04-14-S)
 - [G] FLAMP0742
 - SPL AMTP-415 15FT 2-CHANNEL POLE WITH (1) L14-30R, STANDARD GRAY BOOT
 - SELF-CONTAINED (TALL) WINE CASE (M-06-16-S)
 - [H] FLAMP0740
 - SPL AMTP-415 15FT 2-CHANNEL POLE WITH (1) 5-20R SIMPLEX, STANDARD GRAY BOOT
 - PET FRESH
 - OLIVE BAR
 - [I] E65392
 - SPL AM GRV 15FT 1-CHANNEL SNAP-ON, NO RECEPTACLE REQUIRED.
 - FOR USE WITH TYPE "D" FLAMP0577 TO ADD CHANNEL WHEN NEEDED.
 - SELF-CHECKOUT
 - GRAB & GO
- BY VENDOR**
- [J] FLAMP0575 (LEFT HAND)
 - SPL ALUMINUM 3-CHANNEL POLE WITH LANE LIGHT MOUNTING BRACKET #E63920 (2-1/4"x3-5/16")
 - [K] CHECKSTANDS, CUSTOMER SERVICE CHECKSTAND #1
 - [L] FLAMP0576 (RIGHT HAND)
 - SPL ALUMINUM 3-CHANNEL POLE WITH LANE LIGHT MOUNTING BRACKET #E63920 (2-1/4"x3-5/16")
 - CHECKSTANDS
 - [M] FLAMPX
 - WHEN EXTENSION IS NEEDED, USE #AMP0322 (2 CHANNEL) WITH SLIDING SUPPORT #E63204.



1 ELECTRICAL POWER PLAN
E1.02 / SCALE: 3/32" = 1'-0"



220 E. CENTRAL PKWY, STE 4000
ALTA MONTE SPRINGS, FL 32701
407.645.5008

ARCHITECTS SEAL:

CORPORATE SEAL:



ENGINEER'S SEAL:



REVISIONS
NO DATE REMARKS

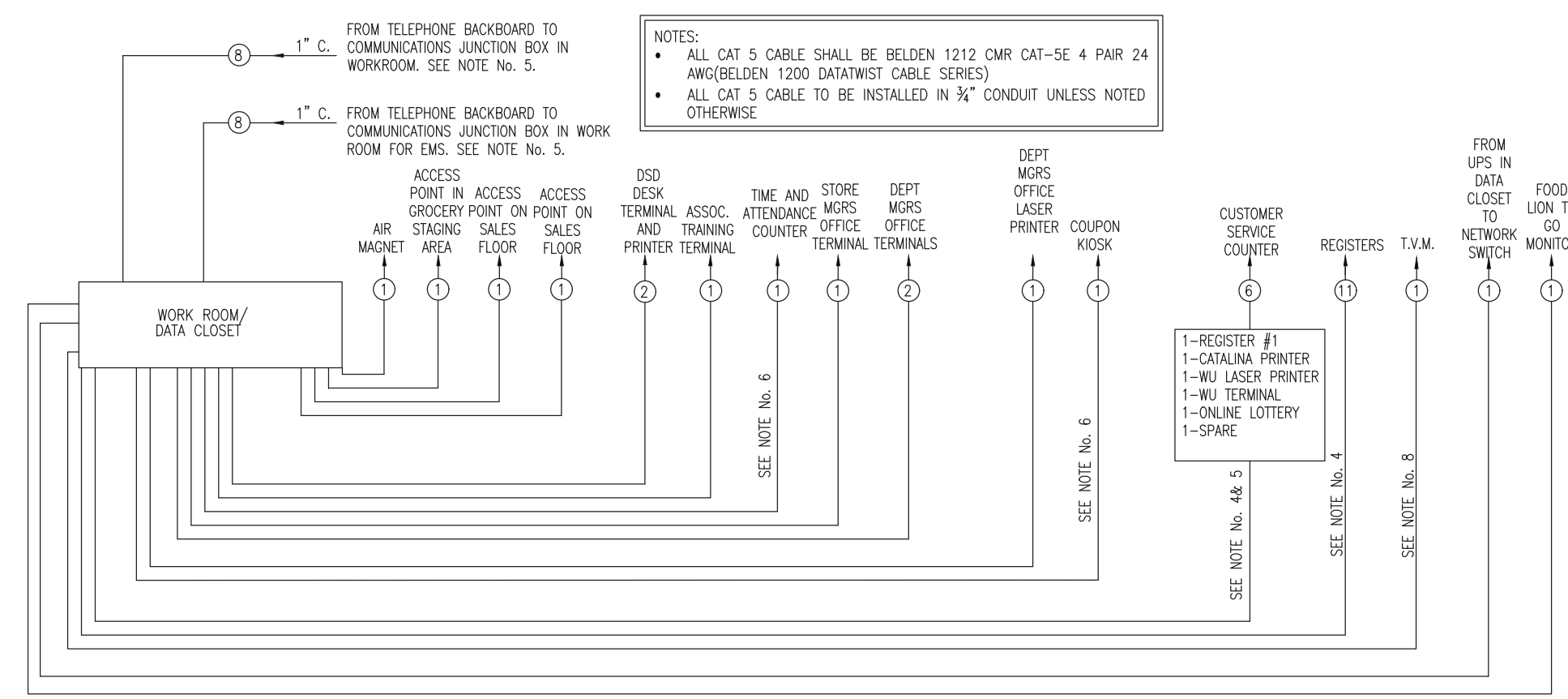


FOOD LION
REMODEL
STORE #1237
133 MITTIE HADDOCK DRIVE
CAMERON, NC, 28326

PROJECT NO: 2023.0026
DATE: 09/06/23

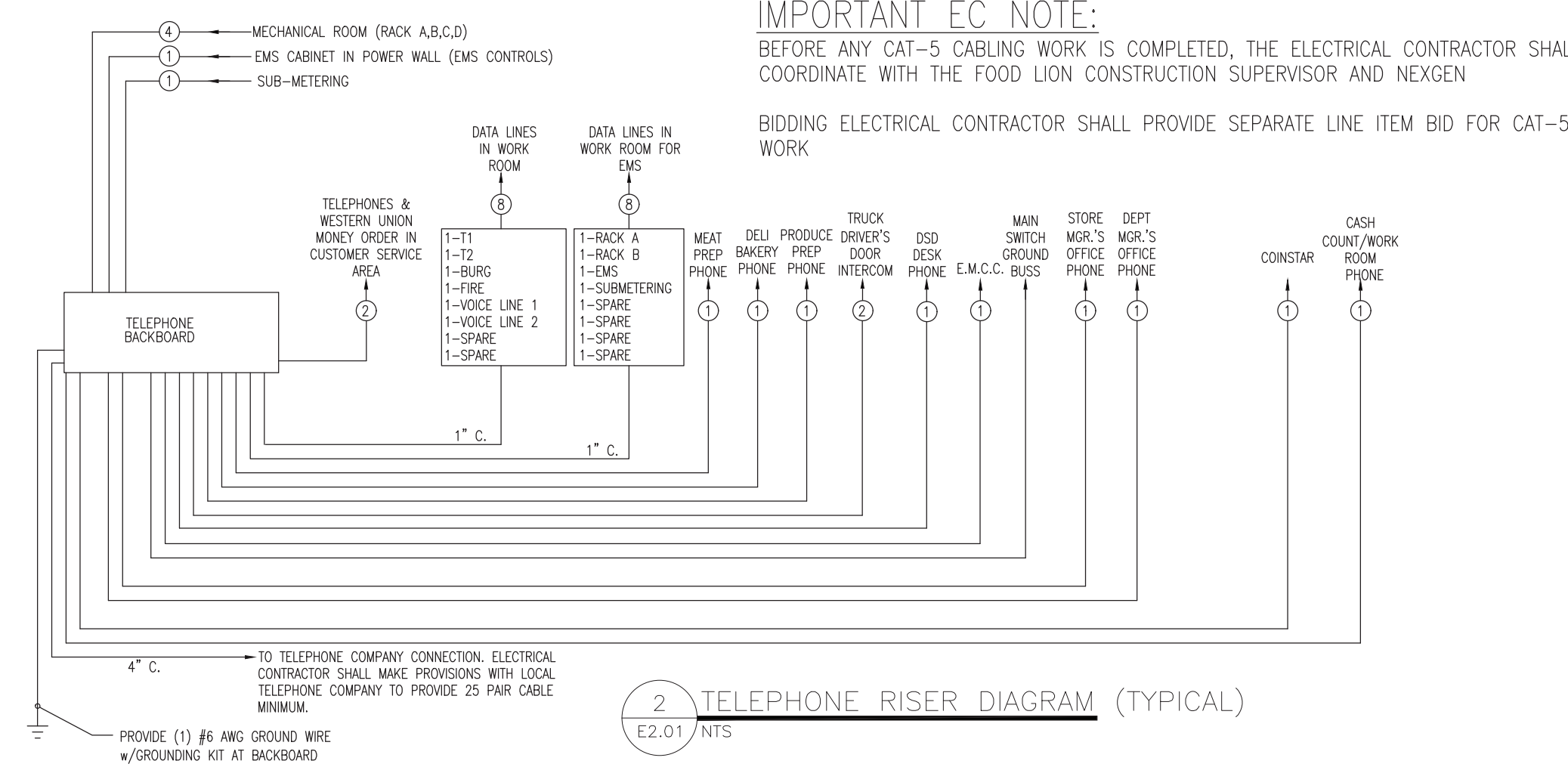
33 OF 43
E1.02
ELECTRICAL POWER PLAN

CHECKED: SN DRAWN: MM/YO



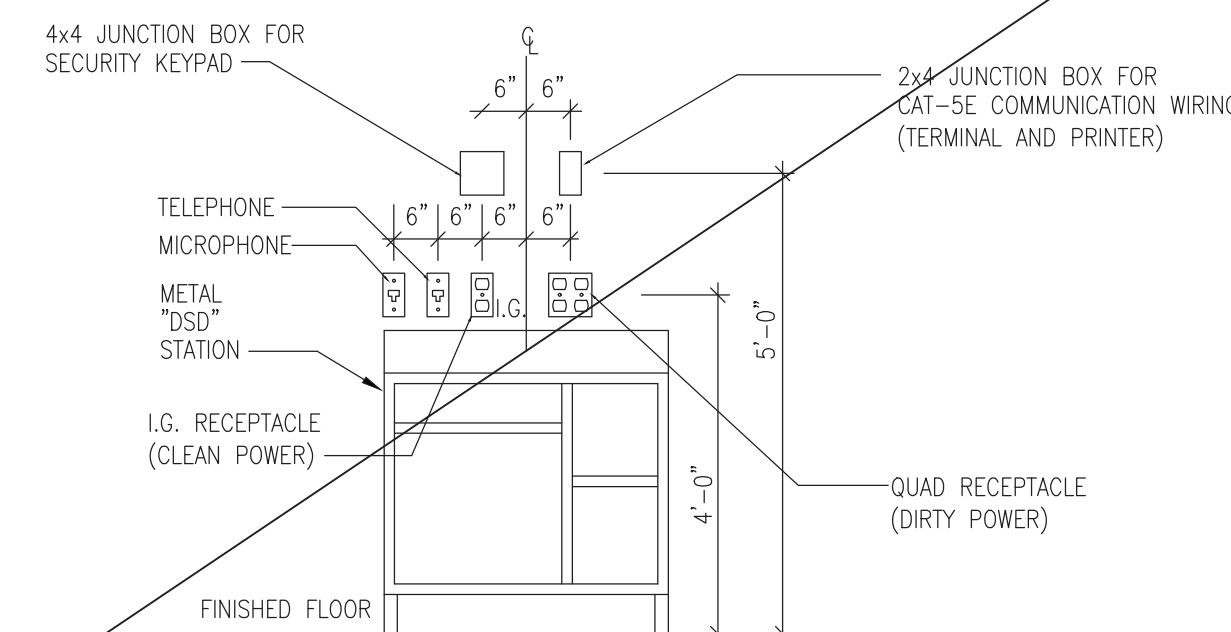
1 CAT 5 RISER DIAGRAM (TYPICAL)
E2.01 / NTS

- CAT 5 RISER NOTES:**
- ① CIRCLE INDICATES THE NUMBER OF CABLES, SUPPLIED AND INSTALLED BY THE ELECTRICAL CONTRACTOR UNLESS OTHERWISE NOTED (SEE NOTE #4). CABLE SHALL BE CAT 5 UNSHIELDED ETHERNET. COIL AND SECURE 15'-0" OF SLACK FOR ALL CABLE ENDS.
 - ALL CABLE ENDS SHALL BE LABELED PER RISER DIAGRAM.
 - ALL CABLE ENDS SHALL BE NUMBERED. DO NOT REUSE NUMBERS.
 - FOOD LION COMMUNICATION VENDOR TO PROVIDE POWER AND PULL 2 CAT-5 PVC-COATED UNSHIELDED ETHERNET CABLES PER REGISTER (REGISTER CPU & CATALINA PRINTER); SEE A1.01. COIL 15'-0" OF EXTRA CAT-5 CABLE AT EACH END FOR CONNECTION BY OTHERS ("MACRO").
 - FOOD LION COMMUNICATION VENDOR TO PROVIDE POWER AND CAT-5 CABLES TO ALL CUSTOMER SERVICE COUNTER EQUIPMENT.
 - ELECTRICAL CONTRACTOR TO PROVIDE POWER AND CAT-5 CABLES FOR ALL OTHER FRONT-END SERVICES.
 - ELECTRICAL CONTRACTOR SHALL COORDINATE WITH THE FOOD LION CONSTRUCTION SUPERVISOR AND TELEPHONE RISER DIAGRAM PRIOR TO BEGINNING WORK TO PREVENT PULLING DUPLICATE OR UNNECESSARY RUNS.
 - ELECTRICAL CONTRACTOR SHALL COORDINATE WITH THE LOCAL LOTTERY REPRESENTATIVE FOR CORRECT LOCATION OF CAT-5 PULL (TELEPHONE BACKBOARD OR DATA CLOSET/CASH OFFICE).

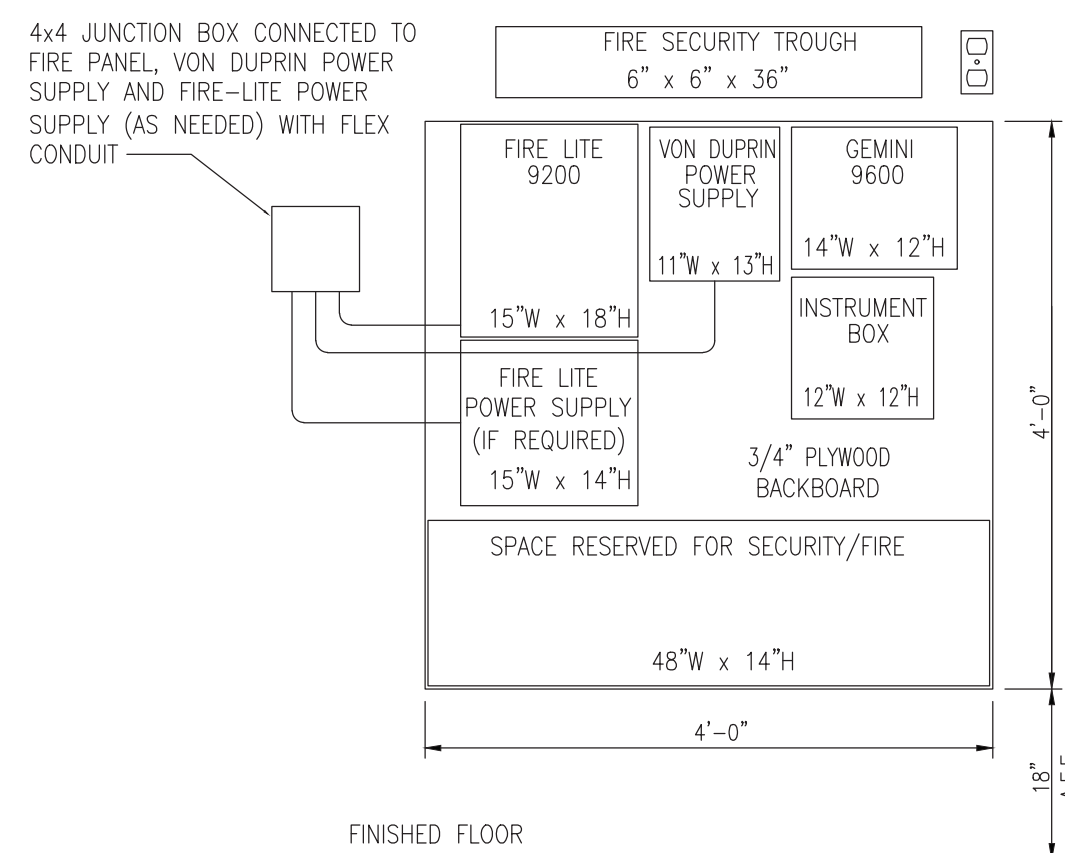


2 TELEPHONE RISER DIAGRAM (TYPICAL)
E2.01 / NTS

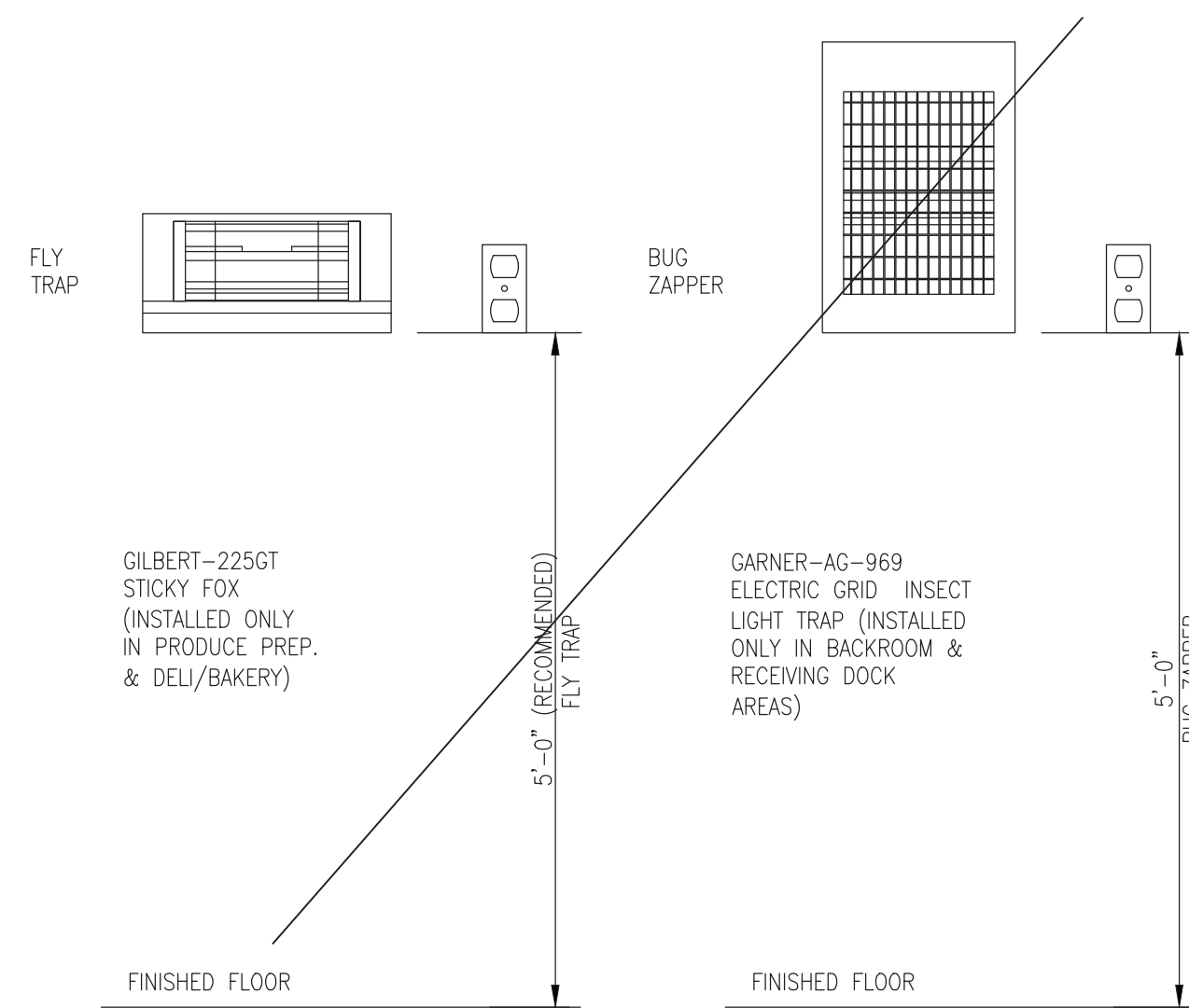
- TELEPHONE RISER NOTES:**
- THE CONDUITS TO THE TELEPHONE BACKBOARD MUST BE INSTALLED AS PER THIS DIAGRAM. ALL DATA PULLS ARE HOMERUNS AND ARE NOT TO BE LOOPED OR TIED TOGETHER IN A JUNCTION BOX... (FOOD LION COMMUNICATIONS VENDOR TO VERIFY RISER)
 - ① CIRCLE INDICATES THE NUMBER OF PHONE CABLES, SUPPLIED AND INSTALLED BY THE ELECTRICAL CONTRACTOR. CABLE SHALL BE CAT 5 UNSHIELDED ETHERNET. COIL AND SECURE 15'-0" OF SLACK FOR ALL CABLE ENDS.
 - ALL CABLE ENDS SHALL BE LABELED PER RISER DIAGRAM.
 - ALL CABLE ENDS SHALL BE NUMBERED IF MORE THAN ONE PER CONDUIT.
 - ELECTRICAL CONTRACTOR SHALL COORDINATE WITH THE FOOD LION CONSTRUCTION SUPERVISOR AND CAT-5 RISER DIAGRAM PRIOR TO BEGINNING WORK TO PREVENT PULLING DUPLICATE OR UNNECESSARY RUNS.
 - FOR PENNSYLVANIA STORES ONLY, THERE SHALL BE (+) CAT-5 FROM THE TERMINAL IN THE CUSTOMER SERVICE COUNTER TO THE DATA CLOSET.
 - ELECTRICAL CONTRACTOR SHALL COORDINATE WITH THE LOCAL LOTTERY REPRESENTATIVE FOR CORRECT LOCATION OF CAT-5 PULL (TELEPHONE BACKBOARD OR DATA CLOSET/CASH OFFICE).



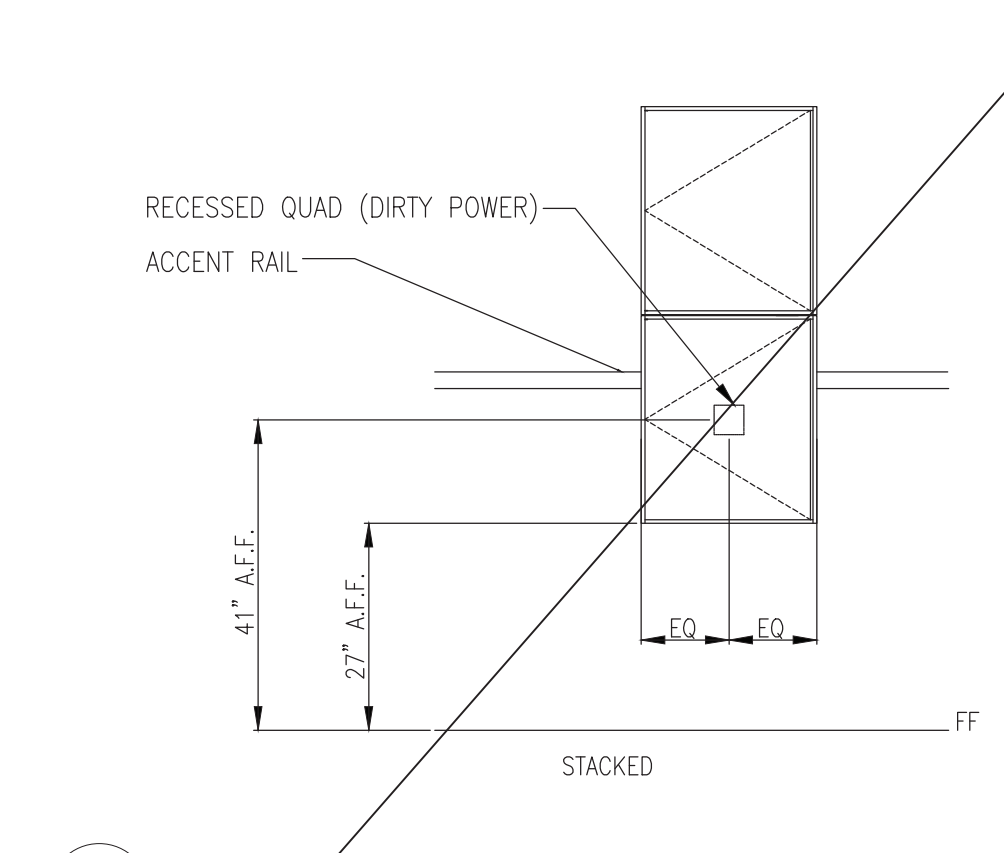
3 DSD STATION ELEVATION
E2.01 / NOT TO SCALE



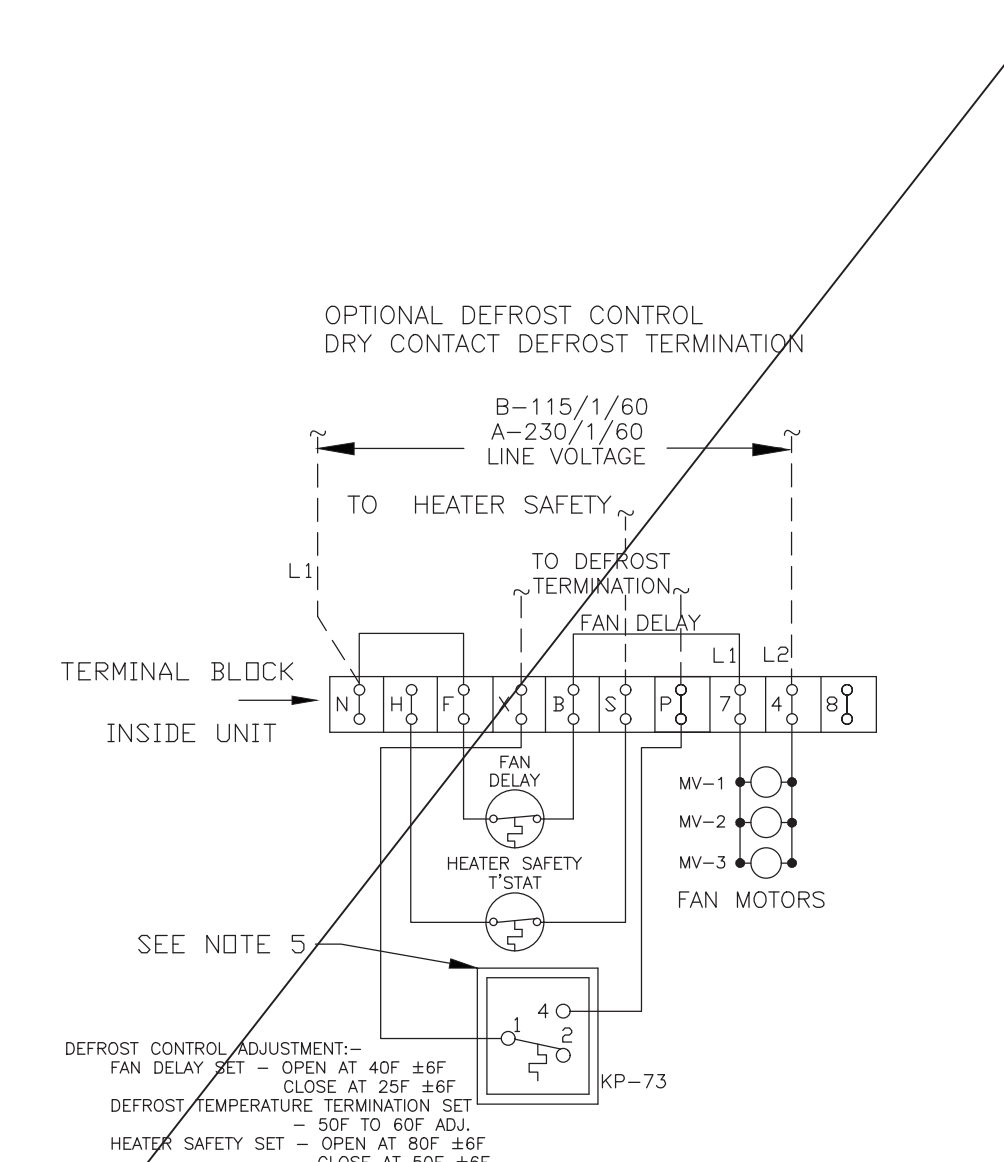
4 FIRE/SECURITY BACKBOARD LAYOUT
E2.01 / NTS



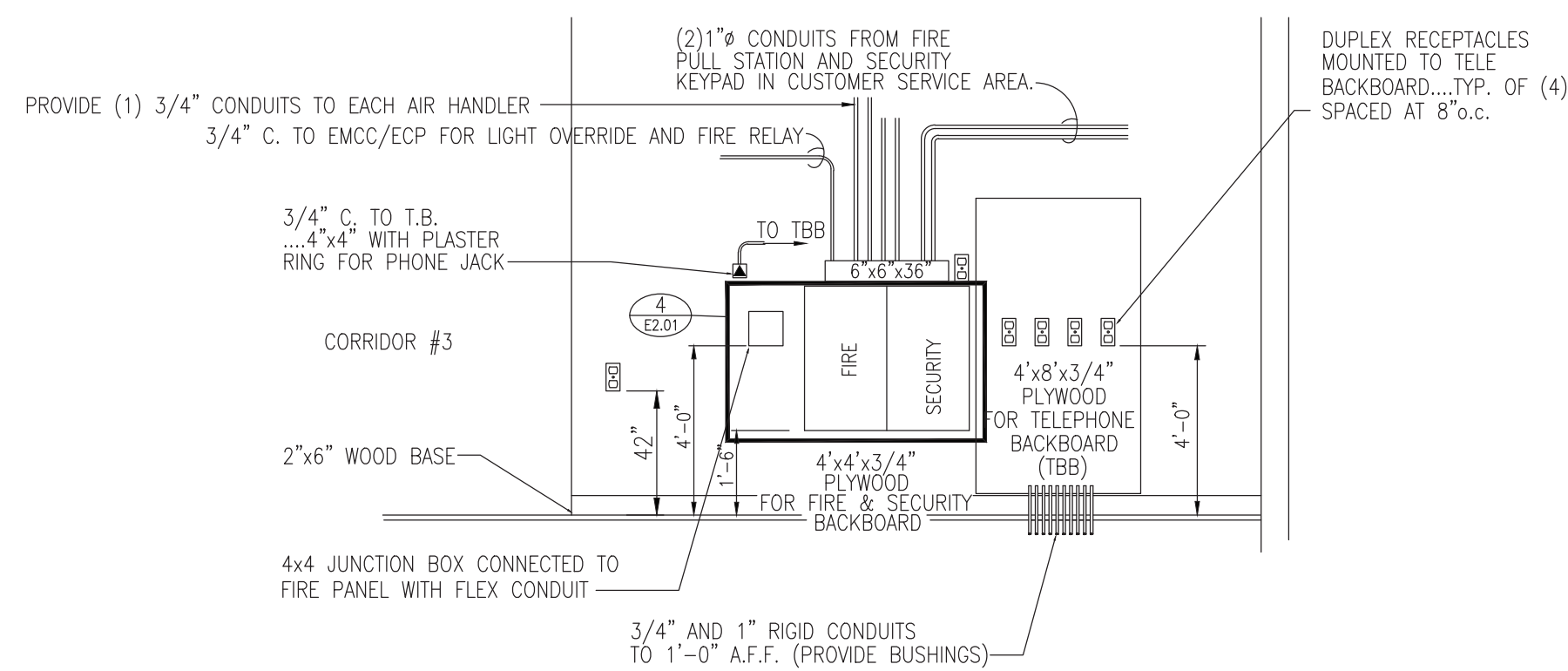
5 FLY TRAP / BUG ZAPPER DETAIL
E2.01 / NTS



7 COMMUNICATION CABINET INSTALLATION DETAIL
E2.01 / NTS



8 "KRACK" FREEZE/REEVAPORATOR COIL INFO"
E2.01 / NTS



6 ELECTRICAL ROOM ELEVATION
E2.01 / NTS

- CONTROL NOTES**
- THE ENERGY MANAGEMENT CONTROL CABINET WITH ENVIRONMENTAL CONTROL PANEL SHALL BE PROVIDED VIA NATIONAL ACCOUNT BY FOOD LION
 - ONE SEPARATE 3/4" CONDUIT THROUGH ROOF FOR PHOTOCELL. RUN (1) 4-CONDUCTOR SHIELDED CABLE (#22AWG OR LARGER) FOR PHOTOCELL. TERMINATE PER ENERGY MANAGEMENT CONTROL DRAWINGS. PHOTOCELL SHALL BE LOCATED ON THE ROOF, IN AN OPEN AREA, IN A HORIZONTAL POSITION, WITH A NORTHERN EXPOSURE. PHOTOCELL SHALL NOT BE LOCATED DIRECTLY ABOVE POWER WALL (AS PER SESCO COMMISSIONING).
 - PROVIDE 3/4" CONDUIT TO RECLAIM WATER HEATER CONTACTORS FOR EMS CONTROL (2 #14 W/GND)
 - PROVIDE 1" CONDUIT TO AHU'S AND 3/4" CONDUIT TO OTHER MECHANICAL EQUIPMENT (IE. RTU'S, EDH'S, DAMPERS) FOR CONTROL. PROVIDE SEPARATE 3/4" CONDUIT FOR SENSOR CABLES. REFER TO SHEET M1.1. COORDINATE WITH MECHANICAL CONTRACTOR.
 - PROVIDE 3/4" CONDUIT TO EACH REFRIGERATION CONTROLLER AND ECP PANEL TO THE PHONE BOARD FOR CAT 5 COMMUNICATION CABLE. NO OTHER CABLES SHALL BE RUN IN THIS CONDUIT.
 - LEAVE RIGHT HALF OF TROUGH OPEN FOR ENVIRONMENTAL CONTROL CONDUITS (BY THE ELECTRICAL CONTRACTOR) PER SHEET E4.01. MECHANICAL CONTRACTOR SHALL PROVIDE ALL ENVIRONMENTAL CONTROL WIRING AND TERMINATIONS.
 - PROVIDE 3/4" CONDUIT FOR EMS CONTROL TO MECHANICAL ROOM EXHAUST & SUPPLY FAN (IF REQUIRED) (4 #4 W/GND)
 - (1) 5-CONDUCTOR SHIELDED CABLE (#22 AWG OR LARGER) FOR ANTI-SWEAT CONTROL, TERMINATE PER ENERGY CONTROL DRAWINGS. NO OTHER CONDUCTORS SHALL BE RUN IN THIS CONDUIT.
 - PROVIDE 3/4" CONDUIT FOR EMS CONTROL FOR PLL CONTACTORS (8 #14 W/GND)
 - PROVIDE 3/4" CONDUIT TO CU-1 CONDENSING UNIT ON ROOF FOR EMS CONTROL AND 3/4" CONDUIT FROM CU-1 TO COOLING STAGE SOLENOIDS.
 - PROVIDE 3/4" CONDUIT TO D/B PANEL SECTION FOR DELI EMS CONTROL (8 #14 W/GND)
 - ALL WIRING SHALL BE DONE IN STRICT ACCORDANCE WITH N.E.C. STANDARDS AND WITH FOOD LION STANDARDS. ONLY NEAT & FIRST QUALITY WORK WILL BE ACCEPTED. ELECTRICAL CONTRACTOR IS TO MAKE SURE THAT NO MC OR FLEX CABLES ARE USED UNLESS OTHERWISE NOTED. MC OR FLEX CABLES CAN ONLY BE USED IN SHORT RUNS FOR LIGHTING FEEDS. EMT MUST BE USED TO CONNECT PANEL TO JUNCTION BOX AND HAVE COMPRESSION TYPE FITTINGS. SEE SPECIFICATIONS FOR STANDARD PRACTICES.

INTERPLAN
INTERPLAN PLLC
P.0215

ARCHITECTURE ENGINEERING PERMITTING

220 E. CENTRAL PKWY, STE 4000
ALTAMONTE SPRINGS, FL 32701
407.645.5008

ARCHITECTS SEAL:

CORPORATE SEAL:

INTERPLAN, PLLC
51613
NORTH CAROLINA PROFESSIONAL SEAL
ORLANDO, FL

ENGINEER'S SEAL:

NORTH CAROLINA PROFESSIONAL SEAL
SEAL 043636
S. JERRY TREVOR
REGISTERED ELECTRICAL ENGINEER

REVISIONS
NO DATE REMARKS

FOOD LION
2110 Executive Drive, Salisbury, NC 28147
Telephone: 704.632.8250
Food Lion is an ANOLD DELHAIZE company.

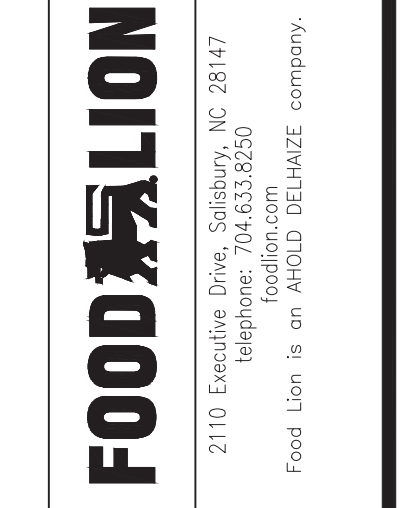
FOOD LION REMODEL STORE #1237
133 MITTIE HADDOCK DRIVE
CAMERON, NC, 28326

PROJECT NO: 2023.0026
DATE: 09/06/23

35 OF 43
E2.01
ELECTRICAL ELEVATIONS & DETAILS

CHECKED: SN DRAWN: MM/YO

MIRMIK - 09/06/2023 2:42:56 PM



FOOD LION
REMODEL
STORE #1237
133 MITTIE HADDOCK DRIVE
CAMERON, NC, 28326

PROJECT NO: 2023.0026
DATE: 09/06/23

36 OF 43
E4.01
ENLARGED DELI/BAKERY
ELECTRICAL PLAN

CHECKED: SN DRAWN: MM/YO

EXISTING PANEL D																								
LOCATION: DELI/BAKERY AREA										MAIN: 400A MLD					CONN. LOAD: 189 KVA					VOLTAGE: 208Y/120V				
TRIM: FLUSH										SYSTEM: 3Ø, 4W					FEED: TOP					BUS RATING: 400A				
EMS	CKT	LOAD SERVED	COND	PHASE	NEUT	OND	BKR	DMD	L1	L2	L3	DMD	BKR	COND	PHASE	NEUT	OND	LOAD SERVED	CKT	EMS				
--	1	RACK OVEN	1-1/2"	#1	#1	#1	#1	#1	60/3	1"	#6	#6	#10	20/1	#12	#12	#12	GBF-50 SERIES FRYER	2	--				
--	3	"	"	"	"	"	"	"	60/3	1"	#6	#6	#10	20/1	#12	#12	#12	"	4	--				
--	5	"	"	"	"	"	"	"	60/3	1"	#6	#6	#10	20/1	#12	#12	#12	"	6	--				
--	7	DELI A/C	1"	#6	#6	#10	60/3	A	6000					R	20/1	3/4"	#12	#12	#12	SHUNT TRIP	8			
--	9	"	"	"	"	"	"	"	6000					R	20/1	3/4"	#12	#12	#12	DRINK CASE AT REGISTER	10			
--	11	"	"	"	"	"	"	"	6000					R	70/3	1-1/4"	#4	#4	#8	GLES GEF-720-FRYER	12			
--	13	ROTTISERIE	3/4"	#8	#8	#10	50/3	K	3092					K	--	--	--	#4	--	14				
--	15	"	"	"	"	"	"	"	3092					K	--	--	--	#4	--	16				
--	17	"	"	"	"	"	"	"	3092					K	--	--	--	#4	--	18				
--	19	BLANK	"	"	"	"	"	"						K	--	--	--	#4	--	20				
--	21	SCALE	3/4"	#12	#12	#12	20/1	R	240					K	50/3	3/4"	#8	#8	#10	CONVECTION OVEN	22			
--	23	DELI MONITOR	3/4"	#12	#12	#12	20/1	R	1248					K	--	--	--	#8	--	24				
--	25	HOOD EXHAUST FAN	3/4"	#12	#12	#12	15/2	M	1200					K	--	--	--	#8	--	26				
--	27	"	"	"	"	"	"	"	1200					K	30/2	3/4"	#10	#10	#10	HOT/COLD CASE	28			
--	29	WATER HEATER	1"	#6	#6	#10	60/3	W	2182					K	--	--	--	#10	--	30				
--	31	"	"	"	"	"	"	"	2182					K	50/3	3/4"	#8	#8	#10	HOT DELI CONV. RECEPTACLE	32			
--	33	"	"	"	"	"	"	"	2182					K	15/1	3/4"	#12	#12	#12	FLY TRAP	34			
--	35	RACK OVEN CONTROL	3/4"	#12	#12	#12	15/1	K	850					K	20/1	3/4"	#12	#12	#12	MEAT SLICER	36			
--	37	MISER	3/4"	#12	#12	#12	20/3	R	100					K	20/1	3/4"	#12	#12	#12	SHUNT POWER	38			
--	39	NOT USABLE	"	"	"	"	"	"	850					K	20/1	3/4"	#12	#12	#12	HOOD CONTROL POWER	40			
--	41	NOT USABLE	"	"	"	"	"	"	850					K	20/1	3/4"	#12	#12	#12	NOT USABLE	42			
--	43	EXISTING PANEL B	"	"	"	"	"	"	12308					K	--	--	--	--	--	44				
--	45	"	"	"	"	"	"	"	10450					K	--	--	--	--	--	46				
--	47	"	"	"	"	"	"	"	10440					K	--	--	--	--	--	48				

LOADS (IN VA)										REMAINING CONTINUOUS LOADS									
CONNECTED	DEMAND FACTOR	MINIMUM FEEDER	LOADS	CONNECTED	DEMAND FACTOR	MINIMUM FEEDER	REMAINING CONTINUOUS LOADS	REMAINING NON-CONTINUOUS LOADS	MISC. DEMAND LOADS	TOTAL CONNECTED LOAD	TOTAL DEMAND LOAD								
2830	1.25	3538	NON-SEASONAL MOTORS	3796	1.0	3796	0	0	0	185	513.8								
10000	1.0	10000	LARGEST MOTOR	0	0.25	0	0	0	0	138.2	384								
2640	0.5	1320	WATER HEATING	17280	1.0	17280	0	0	0										
720	0.0	0	KITCHEN EQUIP.	129714	0.65	84314	0	0	0										
18000	1.0	18000																	

EXISTING PANEL B																								
LOCATION: DELI/BAKERY AREA										MAIN: 225A MLD					CONN. LOAD: 30.3 KVA					VOLTAGE: 208Y/120V				
TRIM: FLUSH										SYSTEM: 3Ø, 4W					FEED: TOP					BUS RATING: 225A				
EMS	CKT	LOAD SERVED	COND	PHASE	NEUT	OND	BKR	DMD	L1	L2	L3	DMD	BKR	COND	PHASE	NEUT	OND	LOAD SERVED	CKT	EMS				
--	1	RECEPT. OUTSIDE	3/4"	#12	#12	#12	20/1	R	480					M	20/1	3/4"	#12	#12	#12	DELI/BAKERY COOLER	2			
--	3	RECEPT. OUTSIDE	3/4"	#12	#12	#12	20/1	R	480					M	20/1	3/4"	#12	#12	#12	FREEZER DRINK HEAT	4			
--	5	BREAD SLICER	3/4"	#12	#12	#12	20/1	K	720					H	20/1	3/4"	#12	#12	#12	FLY LIGHT	6			
--	7	RECEPT. OUTSIDE	3/4"	#12	#12	#12	20/1	R	480					L	20/1	3/4"	#12	#12	#12	LIGHTS - COOLER/FREEZER	8			
--	9	RECEPT. SALES FLOOR	3/4"	#12	#12	#12	20/1	R	480					L	20/1	3/4"	#12	#12	#12	LIGHTS DELI/BAKERY	10			
--	11	FLCZ FRIDGE	3/4"	#12	#12	#12	20/1	R	480					L	20/1	3/4"	#12	#12	#12	LIGHTS DELI/BAKERY	12			
--	13	RECEPT. SALES FLOOR	3/4"	#12	#12	#12	20/1	R	480					L	15/1	3/4"	#14	#14	#14	SPARE-ABOVE CASH OFF	14			
--	15	RECEPT. OFFICE	3/4"	#12	#12	#12	20/1	R	480					R	20/1	3/4"	#12	#12	#12	RECEPT. OFFICE STOR.	16			
--	17	PA & PLUGMOLD	3/4"	#12	#12	#12	20/1	R	480					R	20/1	3/4"	#12	#12	#12	RECEPT. OUTSIDE	18			
--	19	ATM	3/4"	#12	#12	#12	20/1	K	800					K	30/1	3/4"	#10	#10	#10	NEW MHFP3646-ORD HOT ISLAND	20			
--	21	DOOR OPENER - LAR	3/4"	#12	#12	#12	20/1	M	800					K	40/3	3/4"	#8	#8	#10	WING BAR	22			
--	23	BURGLAR ALARM & 485	3/4"	#12	#12	#12	20/1	R	480					K	--	--	--	#8	--	24				
--	25	WRAP MACHINE	3/4"	#12	#12	#12	20/1	K	780					K	--	--	--	#8	--	26				
--	27	RECEPT. CASE	3/4"	#12	#12	#12	20/1	R	480					R	20/1	3/4"	#12	#12	#12	PLUGMOLD	28			
--	29	RECEPT. DELI STOR.	3/4"	#12	#12	#12	20/1	R	480					R	20/1	3/4"	#12	#12	#12	RECEPT. SALES FLOOR	30			
--	31	MEAT SLICER	3/4"	#12	#12	#12	20/1	K	780					R	20/1	3/4"	#12	#12	#12	MICROWAVE	32			
--	33	BULK MEAT LIGHTS	3/4"	#12	#12	#12	20/1	L	480					R	20/1	3/4"	#12	#12	#12	SCALE	34			
--	35	PHOTO OME	3/4"	#12	#12	#12	20/1	R	480					R	20/1	3/4"	#12	#12	#12	RECEPT. SENSOMARIC	36			
--	37	RECEPT. SALES FLOOR	3/4"	#12	#12	#12	20/1	R	480					R	20/1	3/4"	#12	#12	#12	SCALE	38			
--	39	RECEPT. OUTSIDE	3/4"	#12	#12	#12	20/1	R	480					R	20/1	3/4"	#12	#12	#12	RECEPT. OFFICE	40			
--	41	B-15 FANS	3/4"	#12	#12	#12	20/1	M	360					K	20/1	3/4"	#12	#12	#12	CHICKEN WARMER	42			

LOADS (IN VA)										REMAINING CONTINUOUS LOADS									
CONNECTED	DEMAND FACTOR	MINIMUM FEEDER	LOADS	CONNECTED	DEMAND FACTOR	MINIMUM FEEDER	REMAINING CONTINUOUS LOADS	REMAINING NON-CONTINUOUS LOADS	MISC. DEMAND LOADS	TOTAL CONNECTED LOAD	TOTAL DEMAND LOAD								
2830	1.25	3538	NON-SEASONAL MOTORS	1300	1.0	1300	0	0	0	30.3	84.3								
10000	1.0	10000	LARGEST MOTOR	0	0.25	0	0	0	0										
720	0.5	360	WATER HEATING	0	1.0	0	0	0	0										
18000	1.0	18000	KITCHEN EQUIP.	14760	0.65	9594	0	0	0										

DELI/BAKERY POWER PLAN KEY NOTES

- EXISTING EQUIPMENT - RELOCATED. PROVIDE NEW CONNECTION AS REQUIRED AND EXTEND EXISTING CIRCUITRY. FIELD VERIFY CONDITIONS AND EXTENT OF WORK.
- RECEPTACLE AND COMMUNICATION CONNECTION FOR DELI MONITOR MOUNTED IN CEILING TILE, COORDINATE EXACT LOCATION. CAT-5e COMMUNICATION CABLES TO BE PROVIDED BY OTHERS (MACRO).
- SERVICE COLD DELI CASE RECEPTACLES, GFCI, WP, PROVIDED WITH CASE. COORDINATE REQUIREMENTS AND CONDUIT ROUTING WITH CASE INSTALLATION.
- HOT CASE: 208V, 1PH, 23.1A
- PROVIDE NEMA-1 DISCONNECT SWITCH 208V, 200 AMP/3PH FOR RACK OVEN PER MANUFACTURER NAME PLATE. ELECTRICAL CONTRACTOR TO COORDINATE ALL ELECTRICAL REQUIREMENTS WITH MANUFACTURER PRIOR TO ROUGH-IN.

ELECTRICAL DEFICIENCIES TO BE REPAIRED:



- PANEL B DATA/DELI PREP/ SCHEDULE INCORRECT
- PANEL D DATA/DELI PREP/ SCHEDULE INCORRECT
- OVERSIZED BREAKERS: PROPERLY SIZE BRANCH CIRCUIT PER CONNECTED LOAD.-PANEL PA (#29) 12 AWG ON 30A BREAKER. PANEL PA (#39) 12 AWG ON 30A BREAKER. PANEL PA (#40) 12 AWG ON 30A BREAKER. PANEL PB (#28) 12 AWG ON 30A BREAKER. PANEL D (#8) 12 AWG ON 30A BREAKER. PANEL D (#10) 12 AWG ON 30A BREAKER.

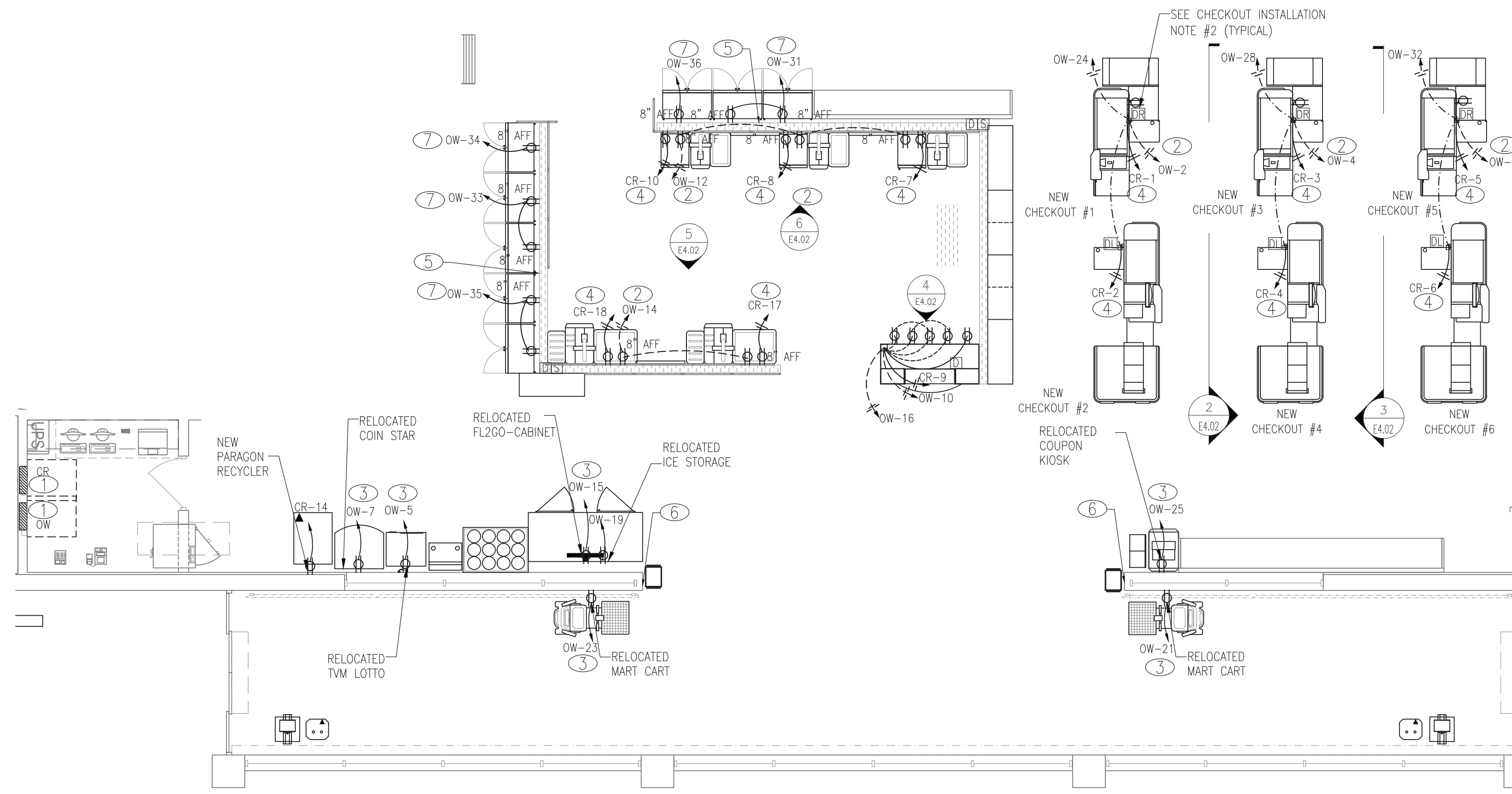
ADDED DEMAND FOR KITCHEN EQUIPMENT	
540	SLICER
720	SCALE
19080	CTP7-20E COMBITHERM OVEN
4368	HOT DELI CASE
24708	TOTAL
x0.65	
16060.2	
ADDITION D/B TOTAL 16.06 KVA	

LEGEND:

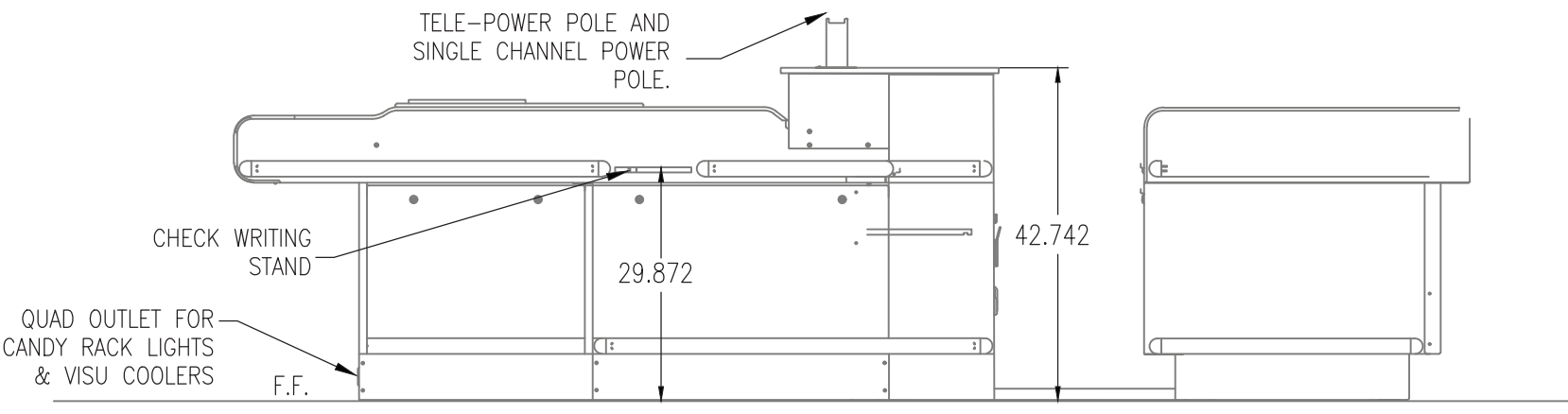
- JUNCTION BOX
- ⊙ CEILING MOUNTED RECEPTACLE
- WP WEATHER PROOF COVER PLATE
- ⊕ GROUND FAULT INTERRUPTING RECEPTACLE
- IG ISOLATED GROUND RECEPTACLE
- ⊙ SPECIAL USE RECEPTACLE. VOLTAGE, PHASE AND AMPERAGE BASED ON LOAD SERVED. COORDINATE NEMA CONFIGURATION WITH EQUIPMENT REQUIREMENTS. FLOOR STUB UP
- ⊙ MOTOR RATED SWITCH
- ⊕ DISCONNECT SWITCH-TYPE AS NOTED
- ⊙ ELECTRICAL CONNECTION UNDER CASE
- ⊕ ELECTRICAL DROP FROM OVERHEAD
- ⊕ EXISTING ELECTRICAL STUB-UP
- ⊙ REFRIGERATION CIRCUIT NUMBER
- ⊕ POWER POLE (SEE GENERAL NOTE #17)
- ⊙ SCALE SYSTEM DATA PORT (SEE SCALE SYSTEM NOTES)
- ⊕ ELECTRICAL CONNECTION UNDER CASE. REUSE EXISTING STUBS WHERE POSSIBLE. COORDINATE CONDUIT ROUTING WITH THE FOOD LION CONSTRUCTION SUPERVISOR.
- ⊕ ENERGY MANAGEMENT CIRCUIT

GENERAL NOTES:

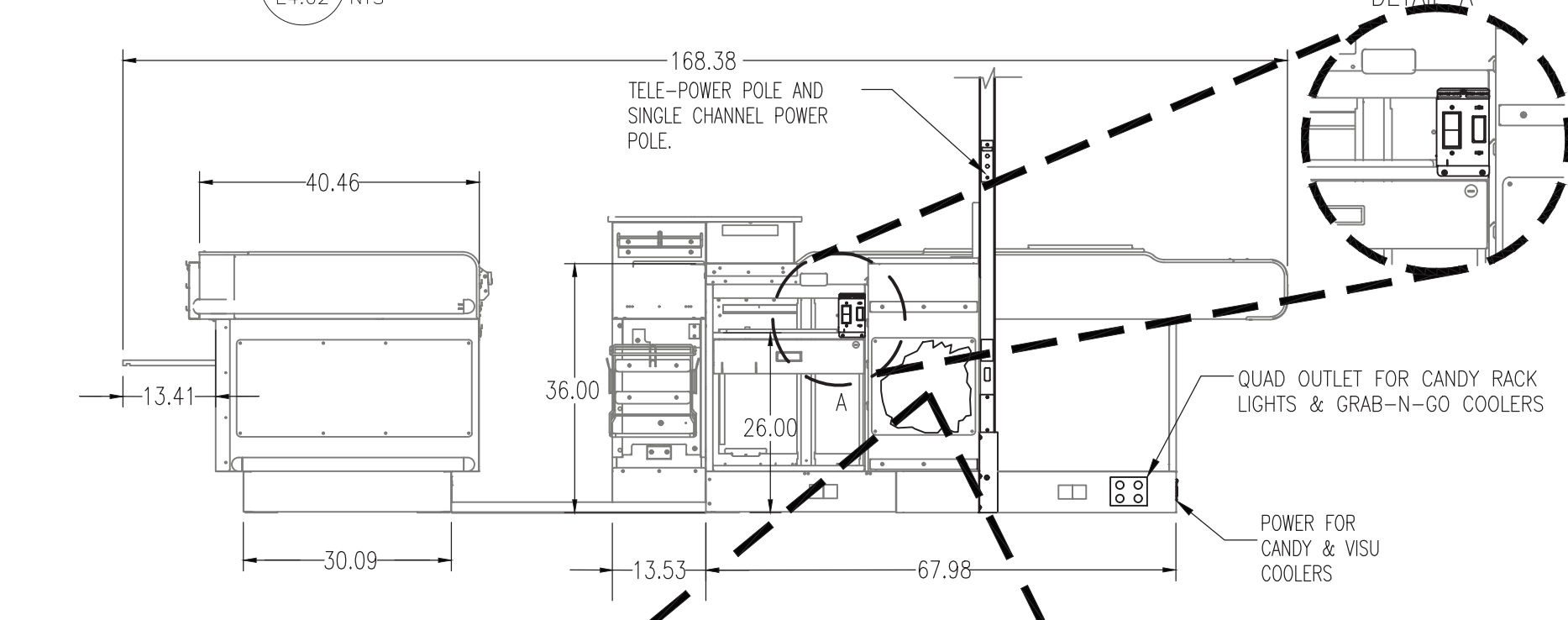
- SEE MECHANICAL DRAWINGS FOR KITCHEN HOOD SCHEDULE. ELECTRICAL CONTRACTOR TO MAKE FINAL CONNECTIONS TO EXHAUST FAN, LIGHT, & SWITCHES.
- PROVIDE SEAL-TITE FLEX ON ALL DELI/BAKERY EQUIPMENT/CASES: 3 FT. (MIN.) ON FLOOR CIRCUITS AND 4 FT. (MIN.) ON WALL CIRCUITS.
- ELECTRICAL CONTRACTOR SHALL PROVIDE ALL CONTROL WIRING FOR SHUNT TRIP SYSTEM AT EXHAUST HOOD AND EQUIPMENT.
- PROVIDE 1'-0" OF FLEX CONDUIT AND A 2"x4" BOX WITH A DUPLEX RECEPTACLE.
- (1) 4-CONDUCTOR SHIELDED CABLE (#22 AWG OR LARGER)
(2) CONDUCTOR (BLACK & WHITE) - FOR TEMPERATURE SENSOR, INDICATED AS: 
(2) CONDUCTOR (RED & GREEN) - FOR DEFROST TERMINATION, INDICATED AS: 
- DIMENSIONS ARE SHOWN FROM INTERIOR SURFACE OF EXTERIOR MASONRY BUILDING WALLS.
- MOUNT FLY TRAPS AT 5'-0" ABOVE THE FINISHED FLOOR IN THE DELI/BAKERY AND PRODUCE PREP.
- SEE SHEET E1.02 FOR TELEPOLE INFORMATION.
- ALL ELECTRICAL WIRING WILL BE DONE IN STRICT ACCORDANCE WITH THE N.E.C. NO COLOR CHANGES IN WIRE RUNS, MISLABELED CIRCUITS, ETC. ALL WIRING SHALL BE DONE IN ACCORDANCE WITH FOOD LION STANDARDS. ONLY NEAT, FIRST QUALITY WORK WILL BE ALLOWED. ALL BR



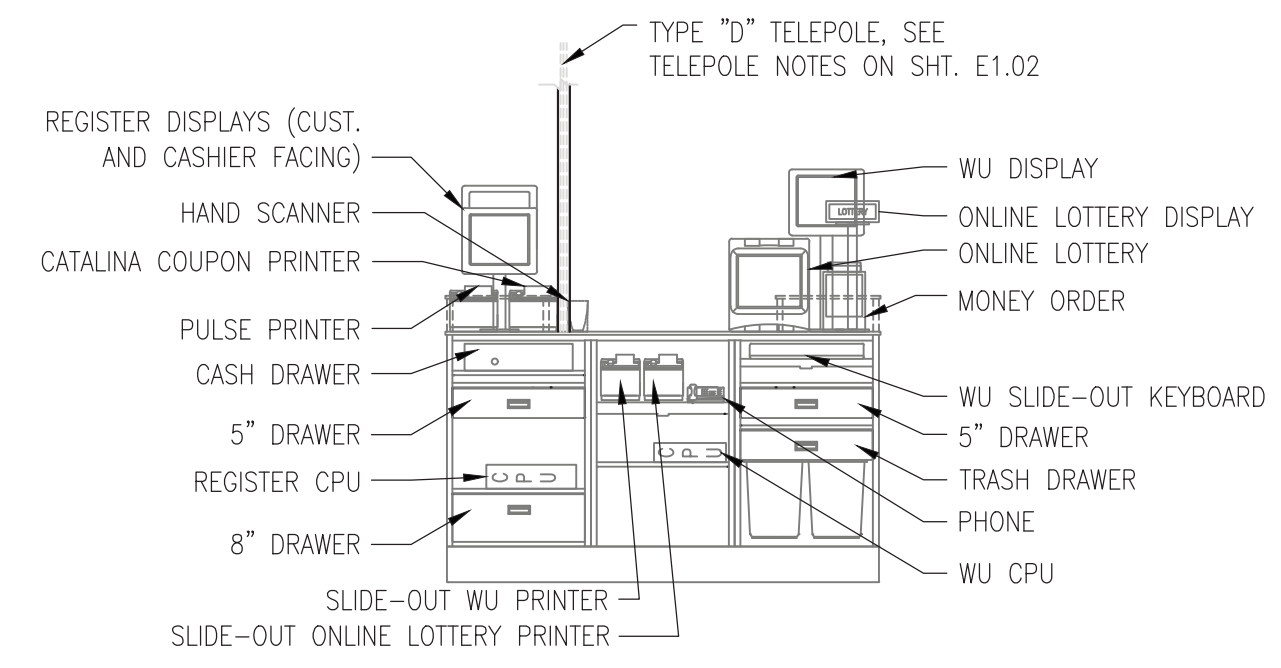
1 ENLARGED ELECTRICAL POWER PLAN
E4.02 SCALE: 3/16" = 1'-0"



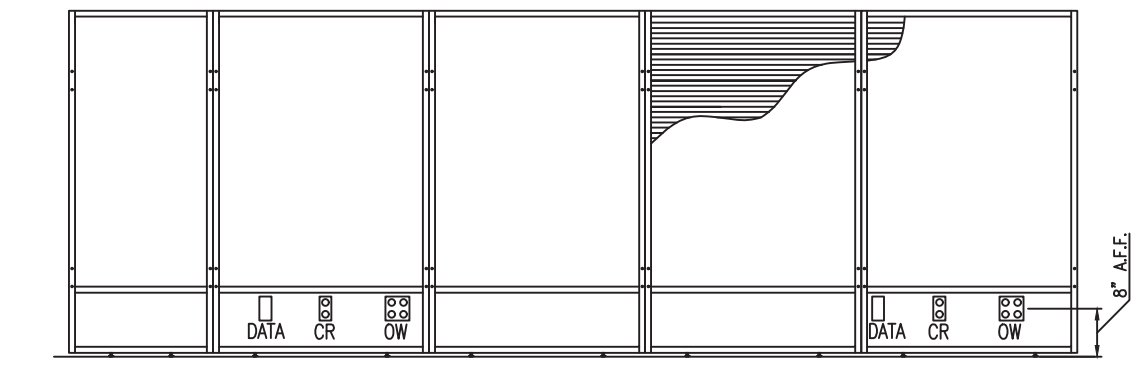
2 SERVICE SIDE ELECTRICAL ELEVATION
E4.02 / NTS



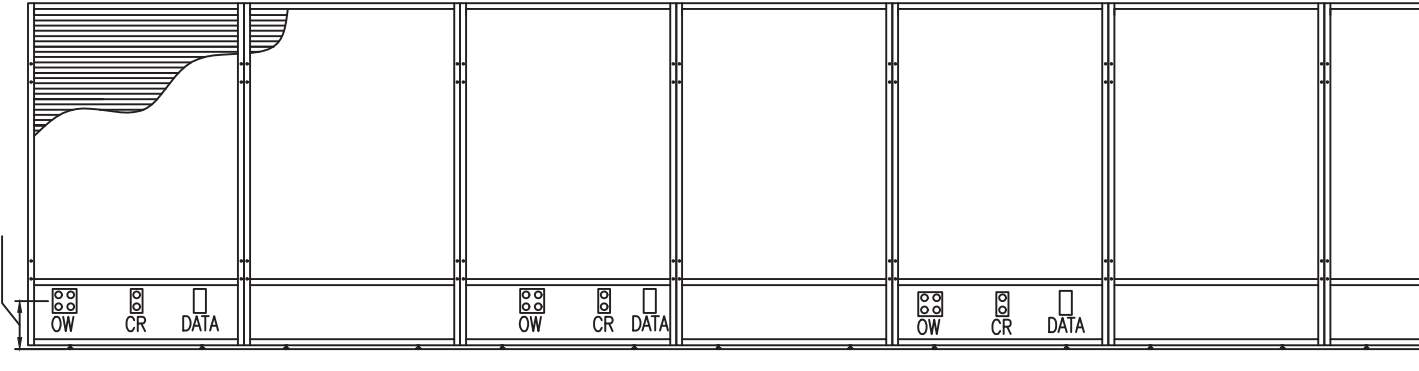
3 ASSOCIATE SIDE ELECTRICAL ELEVATION
E4.02 / NTS



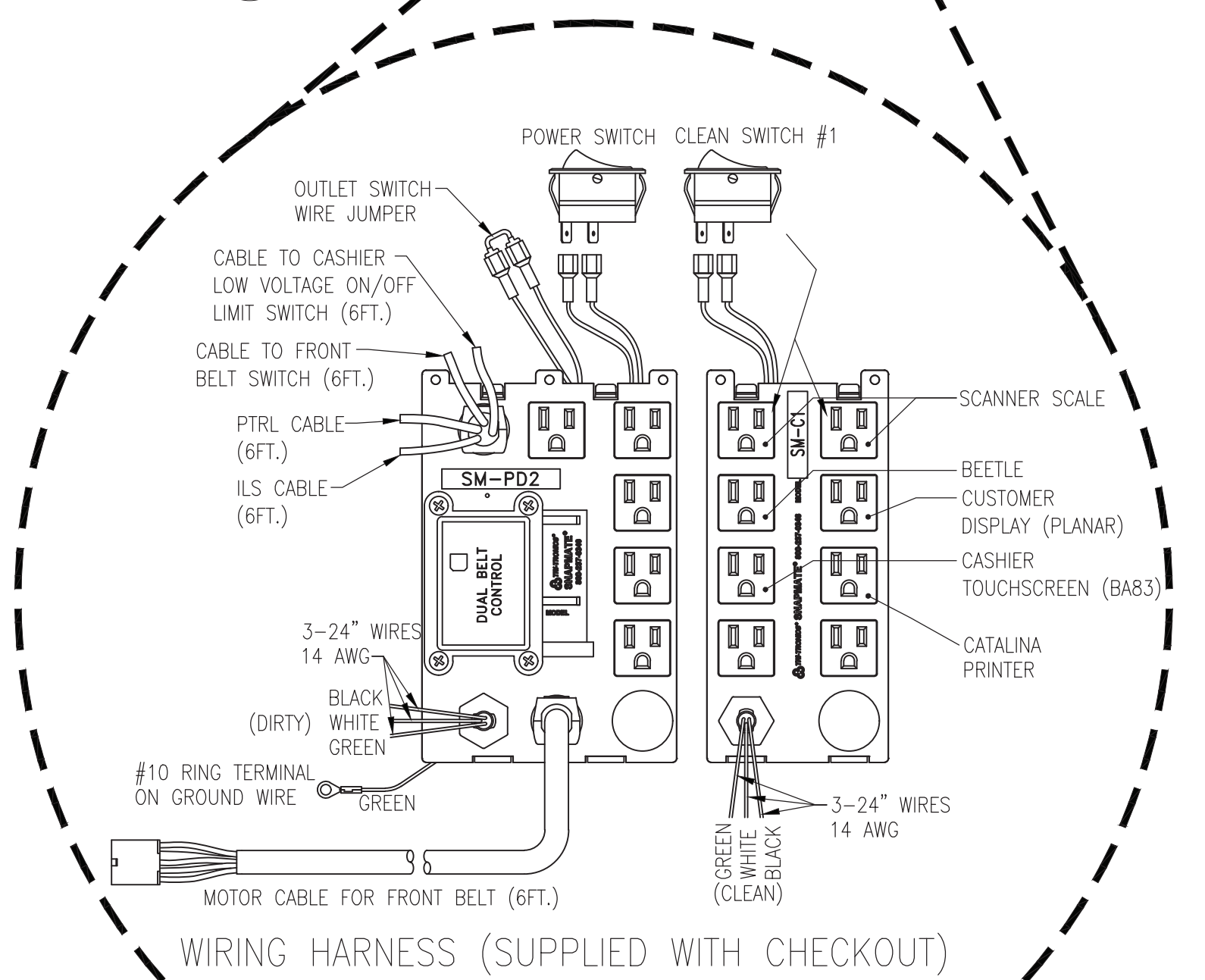
4 CUSTOMER SERVICE KIOSK ELECTRICAL ELEVATION
E4.02 / NTS



5 SELF-CHECKOUT SLAT WALL ELECTRICAL ELEVATION SOUTH
E4.02 / NTS



6 SELF-CHECKOUT SLAT WALL ELECTRICAL ELEVATION NORTH
E4.02 / NTS



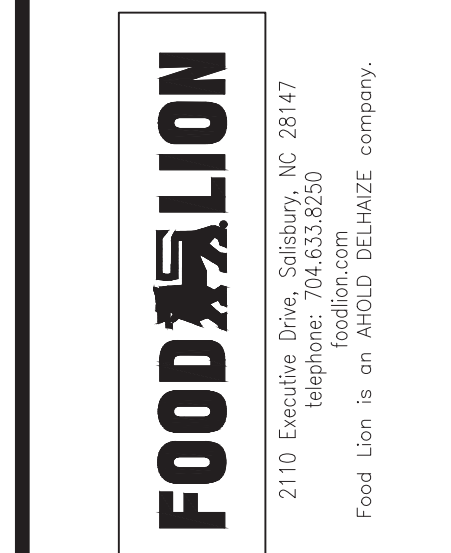
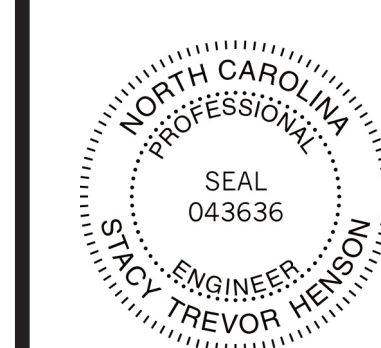
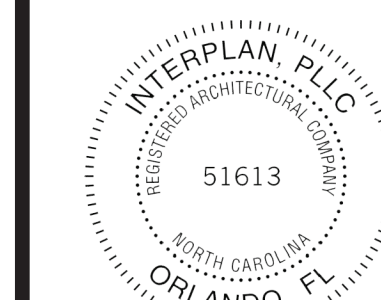
WIRING HARNESS (SUPPLIED WITH CHECKOUT)

CHECKOUT INSTALLATION NOTES	ELECTRICAL WIRING KEY NOTES (X)
1. SEE SHEET E4.03 FOR WORKROOM, CUSTOMER SERVICE AND CHECKOUT COMMUNICATION WIRING.	1 EXISTING PANEL SCHEDULE FOR PANEL OW & CR NOT LABELED CORRECTLY. ELECTRICAL CONTRACTOR TO TRACE AND FIELD VERIFY EACH CIRCUIT IN PANEL OW & CR AND PROPERLY LABEL CIRCUITS IN TYPED WRITTEN PANEL SCHEDULE IN PANEL.
2. MOUNT QUAD OUTLET FLUSH IN THE CHECKOUT STAND FOR THE VISU COOLER(S) AND LED CANDY RACK LIGHTING AT THIS LOCATION. RECEPTACLE TO BE MOUNTED 11-4\"/>	

CHECKOUT WIRING LEGEND
DIRTY CIRCUIT No. 1 (BELT MOTOR, STAND LIGHT, GEN. RECEPTS.)
DIRTY CIRCUIT No. 2 (VISU COOLERS)
CLEAN CIRCUIT No. 1 (REGISTER, CATALINA, DEBIT CARD, SCANNER & SCALE, SPARE RECEPT.)

CHECKOUT WIRING KEY NOTES (X)
1 EXISTING PANEL SCHEDULE FOR PANEL OW & CR NOT LABELED CORRECTLY. ELECTRICAL CONTRACTOR TO TRACE AND FIELD VERIFY EACH CIRCUIT IN PANEL OW & CR AND PROPERLY LABEL CIRCUITS IN TYPED WRITTEN PANEL SCHEDULE IN PANEL.
2 ELECTRICAL CONTRACTOR TO CONNECT POWER FOR NEW CHECK STAND "DIRTY POWER" AND VISU COOLERS TO EXISTING CIRCUITS IN PANEL OW MADE SPARE BY REMOVAL OF EXISTING CHECK STAND EQUIPMENT.
3 ELECTRICAL CONTRACTOR TO RECONNECT RELOCATED EQUIPMENT TO EXISTING CIRCUITS AT NEW LOCATION. EXTEND EXISTING CIRCUITRY AS REQUIRED.
4 ELECTRICAL CONTRACTOR TO CONNECT NEW/ RELOCATED CHECK STAND TO INDICATED "CLEAN POWER" CIRCUITS IN PANEL CR AS INDICATED. PROVIDE FEEDER AND CONDUIT TO NEW LOCATION.
5 ROUTE PARTIAL HEIGHT WALL CIRCUITS THROUGH POWER POLE TO ABOVE CEILING.
6 CONDUITS ON THIS WALL TO BE RECESSED BEHIND OWB.
7 3' 2 DOOR VISU COOLER, 120V, 3.3AMPS, 9'CORD W/NEAM 5-15 PLUG.

COPYRIGHT © 2023 INTERPLAN, PLLC. ALL RIGHTS RESERVED. REPRODUCTION OF THESE DOCUMENTS FOR ANY PURPOSE OTHER THAN THAT AUTHORIZED BY INTERPLAN, PLLC IS STRICTLY PROHIBITED. CHANGES OR ASSIGNMENTS ARE PROHIBITED.



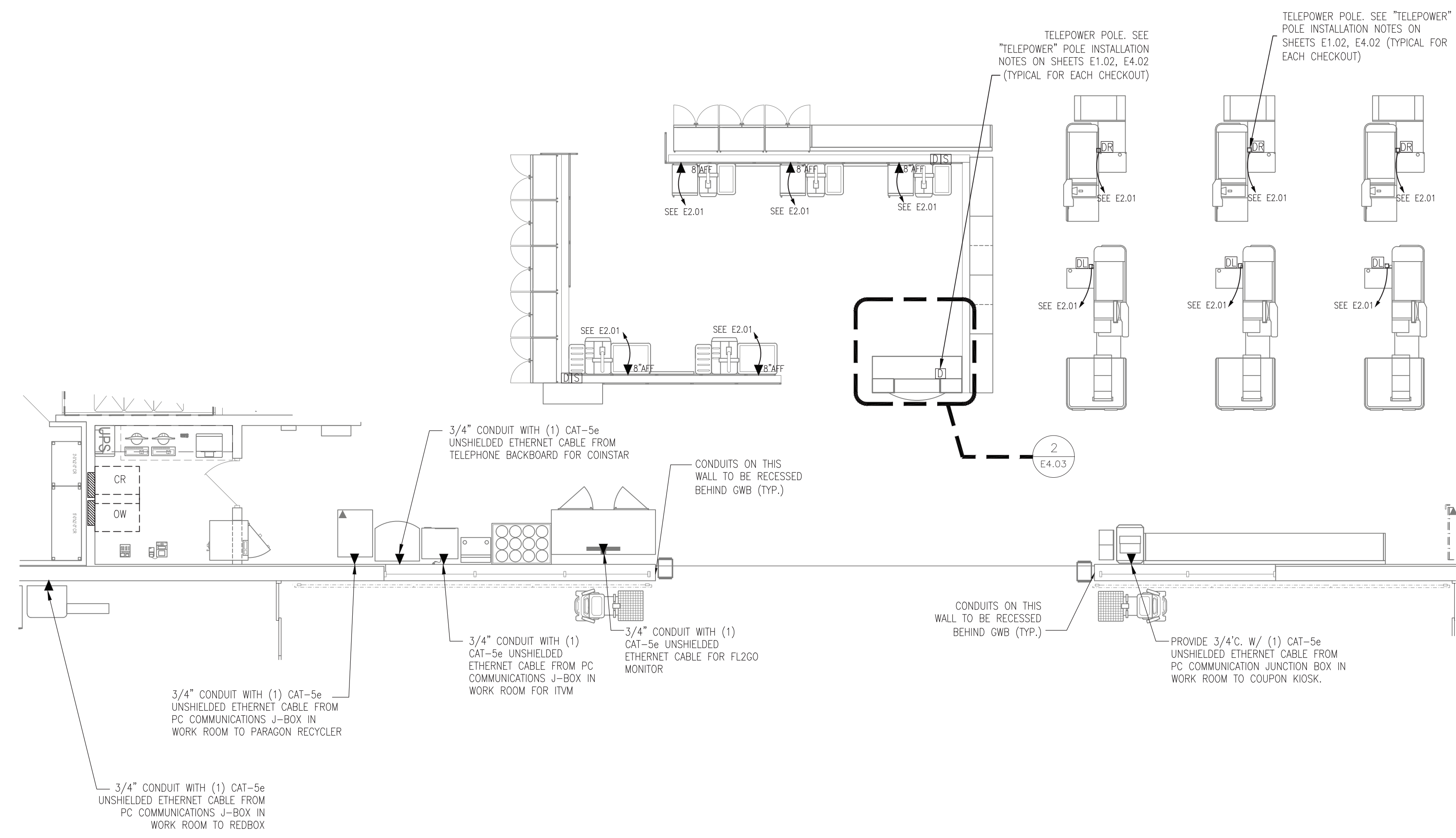
FOOD LION
REMODEL
STORE #1237
133 MITTIE HADDOCK DRIVE
CAMERON, NC, 28326

PROJECT NO: 2023.0026
DATE: 09/06/23

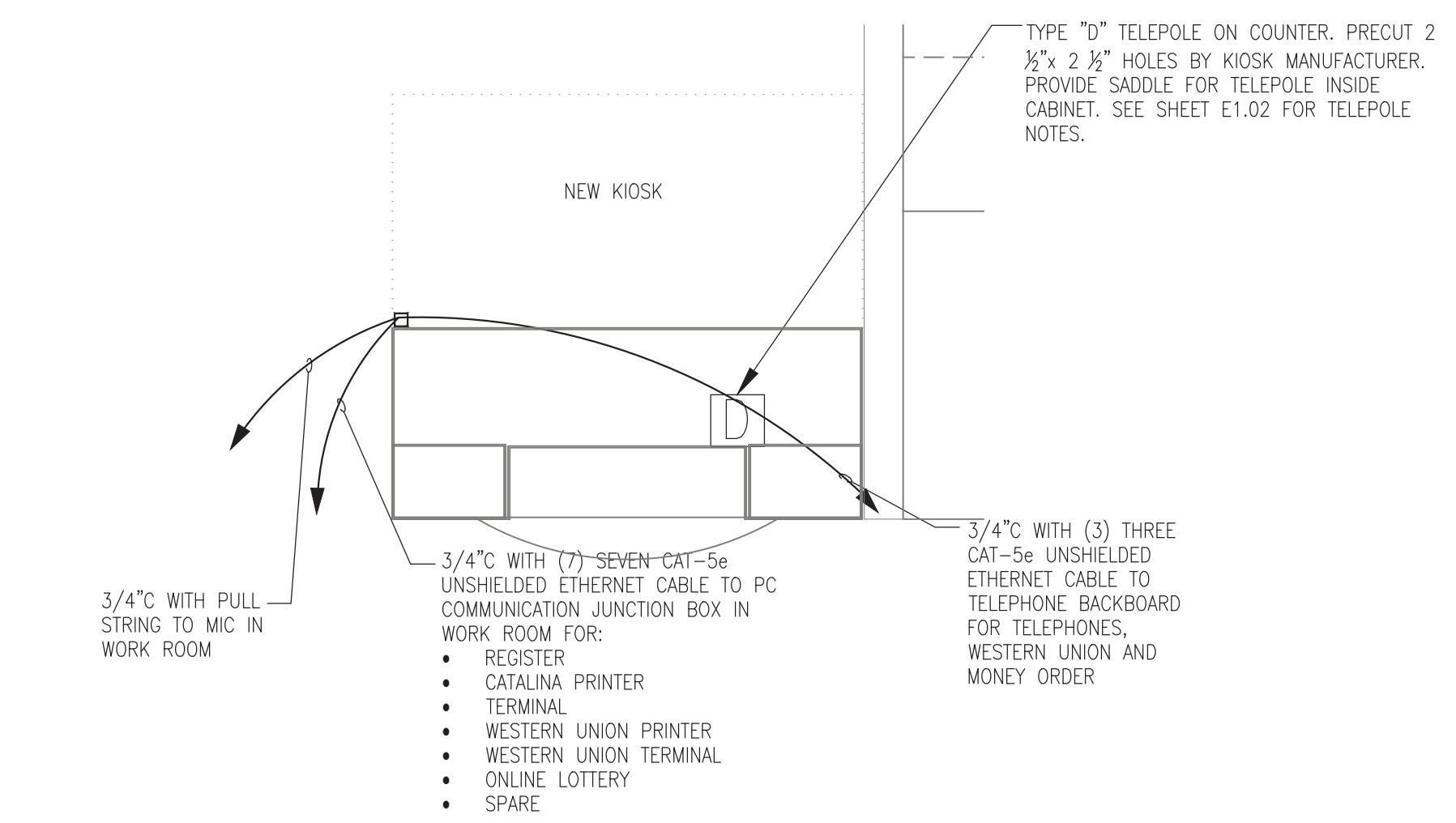
38 OF 43
E4.03
CUST. SERV. WORKRM. &
CHECK OUT COMM. PLAN

CHECKED: SN DRAWN: MM/MO

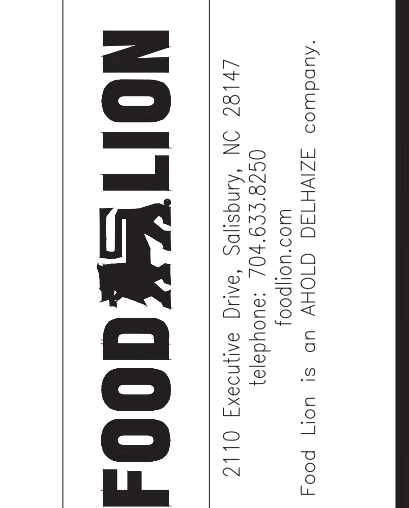
- NOTES:
- ALL CAT 5 CABLE SHALL BE BELDEN 1212 CMR CAT-5E 4 PAIR 24 AWG/BELDEN 1200 DATATWIST CABLE SERIES)
 - ALL CAT 5 CABLE TO BE INSTALLED IN 3/4" CONDUIT UNLESS NOTED OTHERWISE



1 ENLARGED COMMUNICATION WIRING PLAN
E4.03 SCALE: 3/16" = 1'-0"



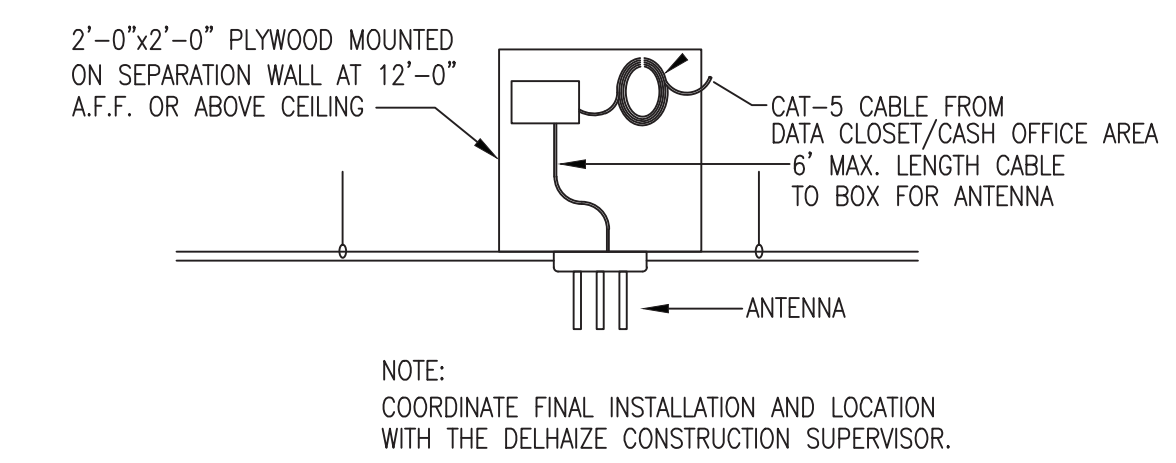
2 CUSTOMER SERVICE KIOSK COMMUNICATIONS PLAN
E4.03 SCALE: 3/16" = 1'-0"



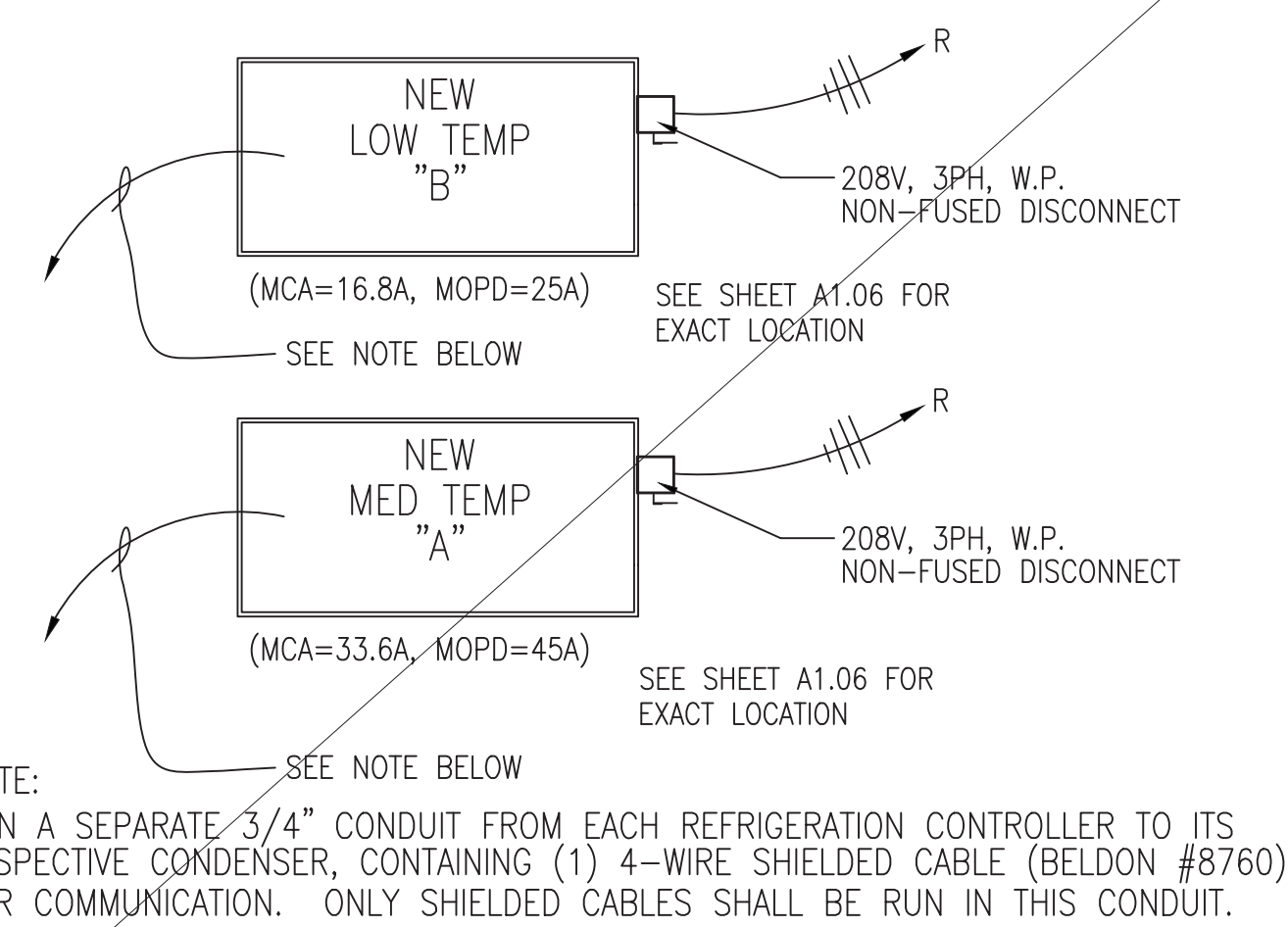
FOOD LION
REMODEL
STORE #1237
133 MITTIE HADDOCK DRIVE
CAMERON, NC, 28326

PROJECT No: 2023.0026
DATE: 09/06/23

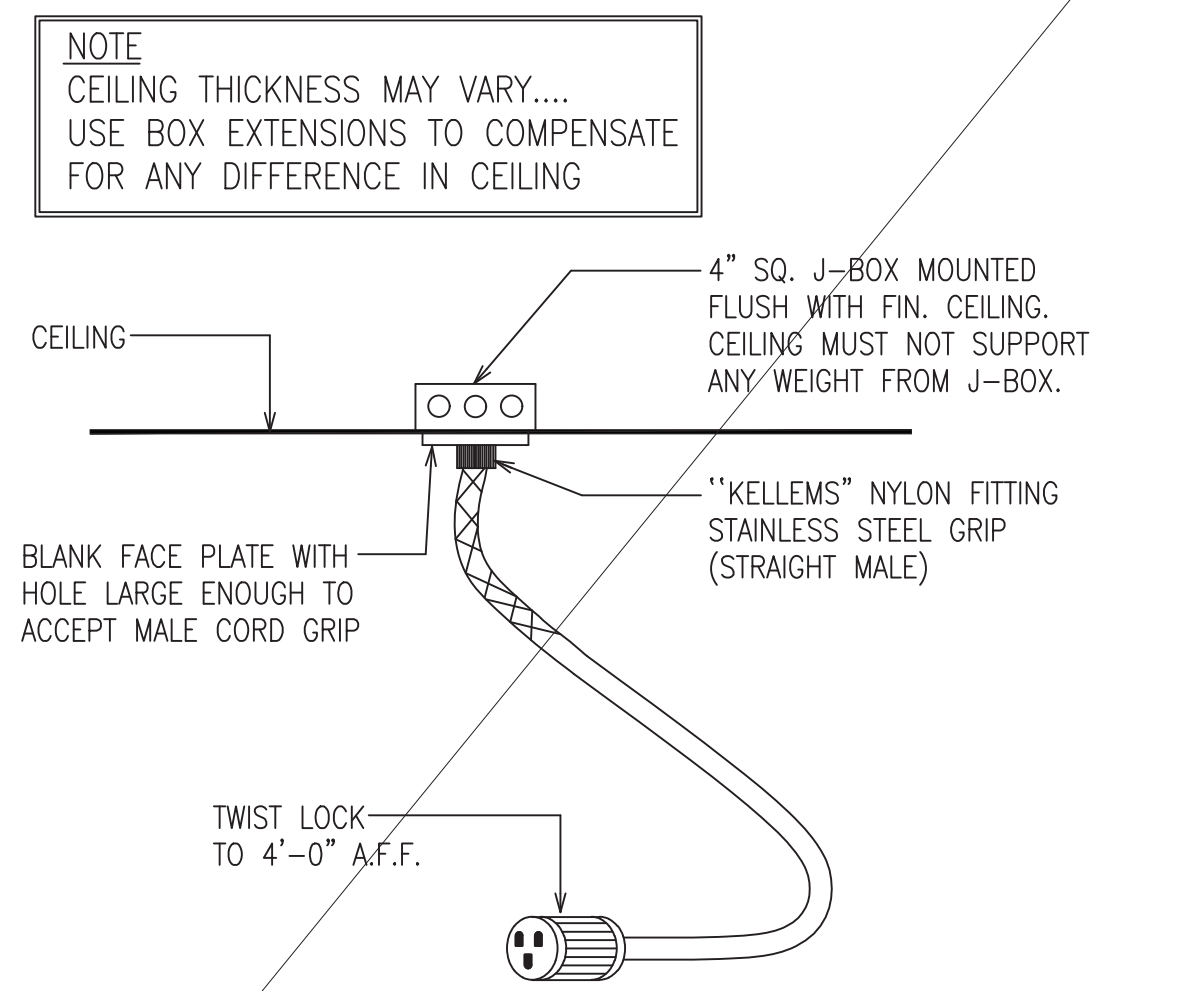
39 OF 43
E5.01
ELECTRICAL DETAILS



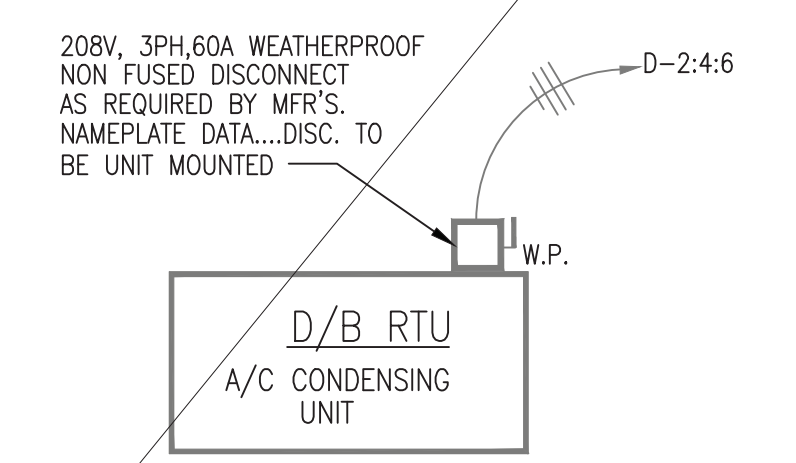
4 CAT 5 CABLE PLYWOOD BACKBOARD DETAIL
E5.01/NOT TO SCALE



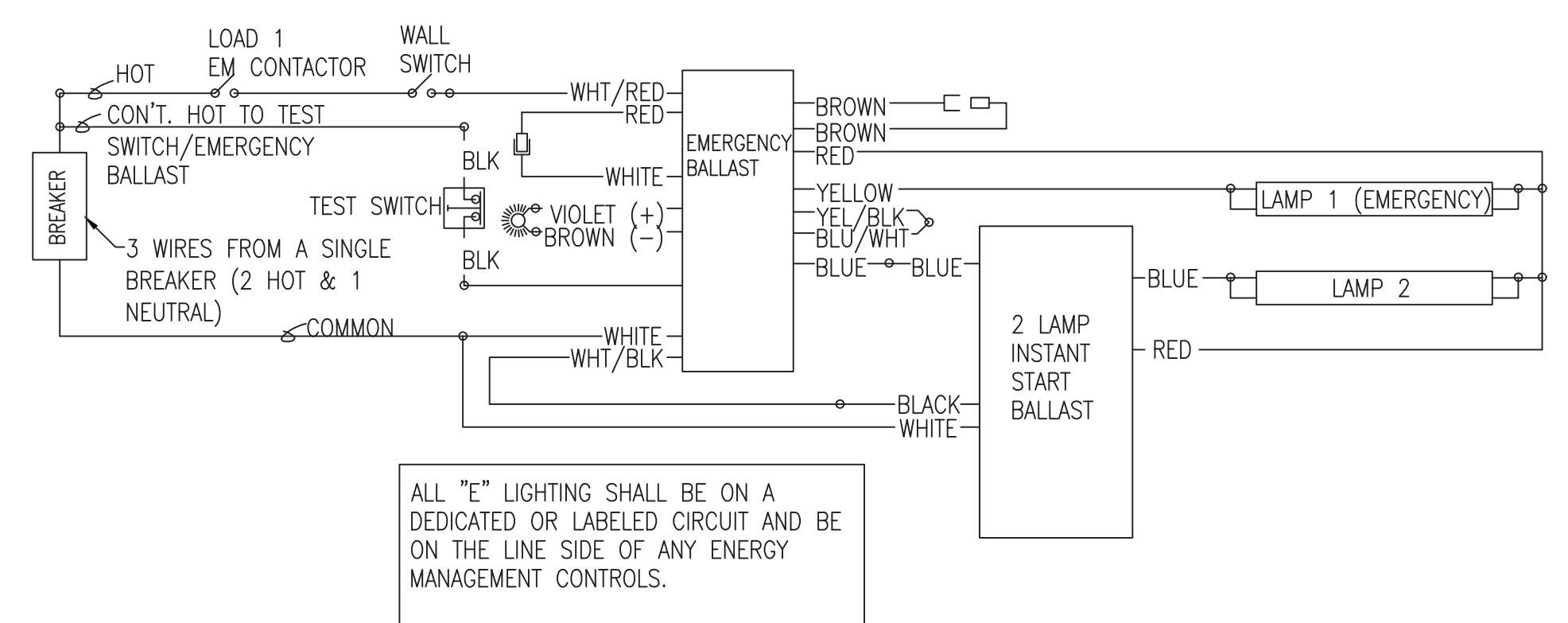
3 ELECTRICAL DETAIL FOR CONDENSERS ON ROOF
E5.01/NOT TO SCALE



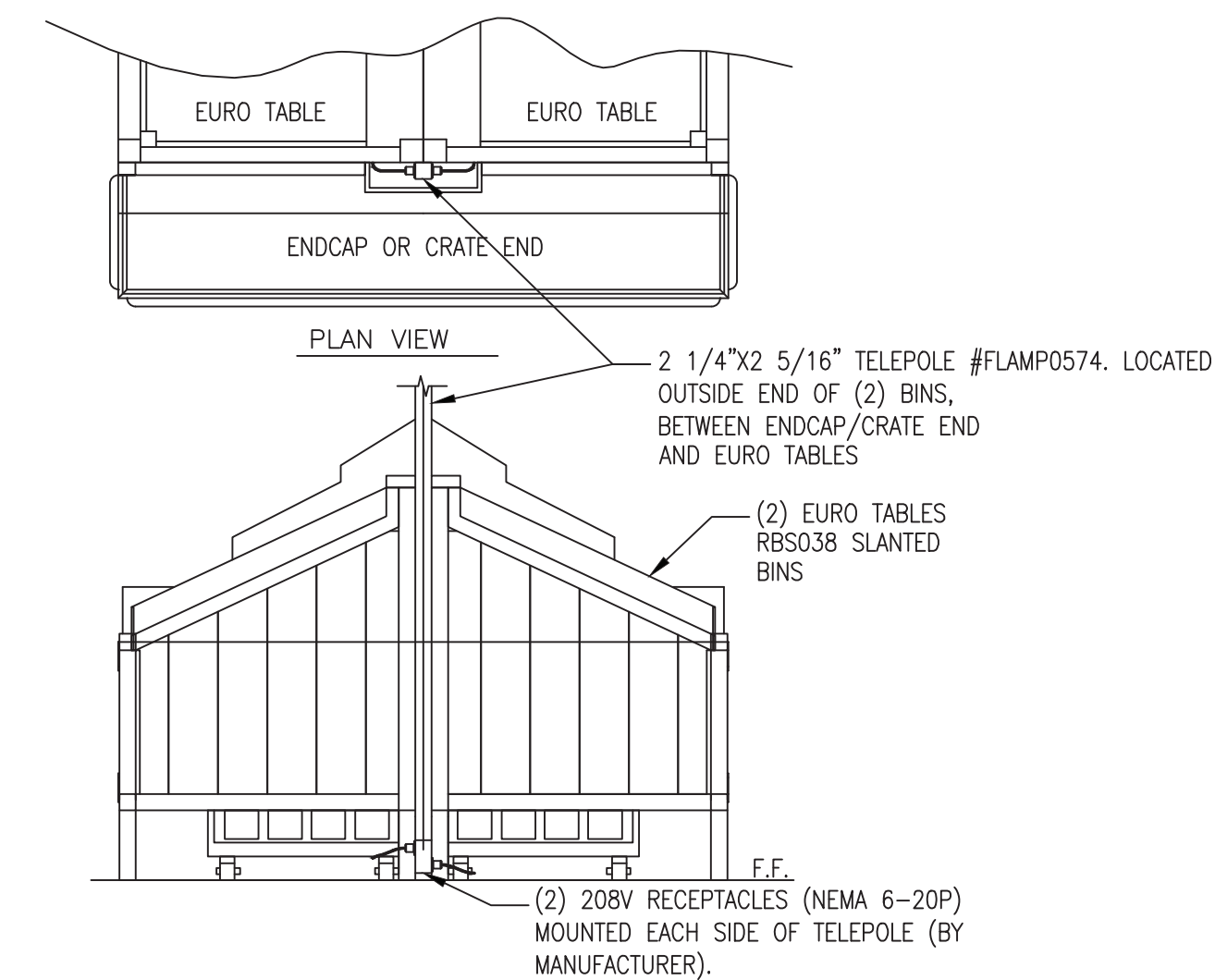
2 HANGING TWIST LOCK DETAIL
E5.01/NOT TO SCALE



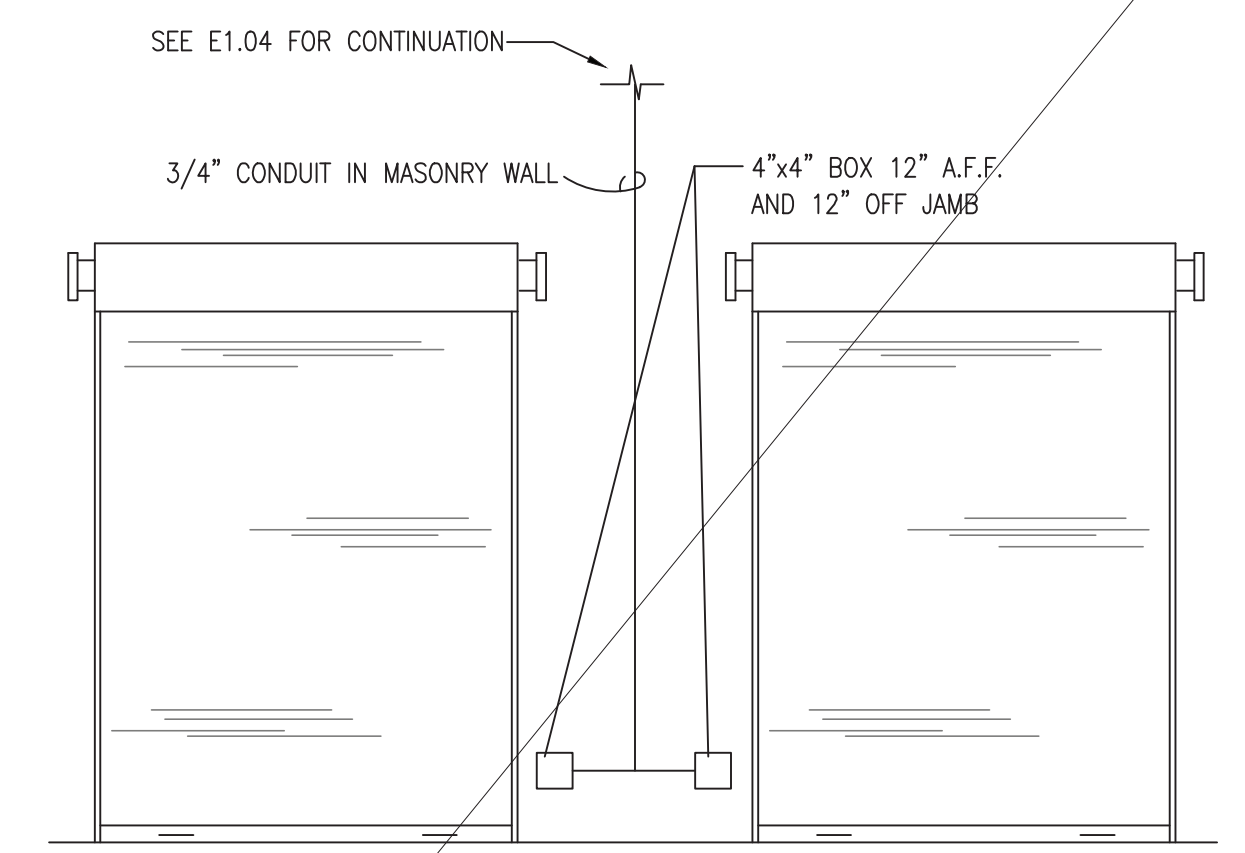
1 ROOFTOP H.V.A.C. EQUIPMENT DETAIL
E5.01/NOT TO SCALE



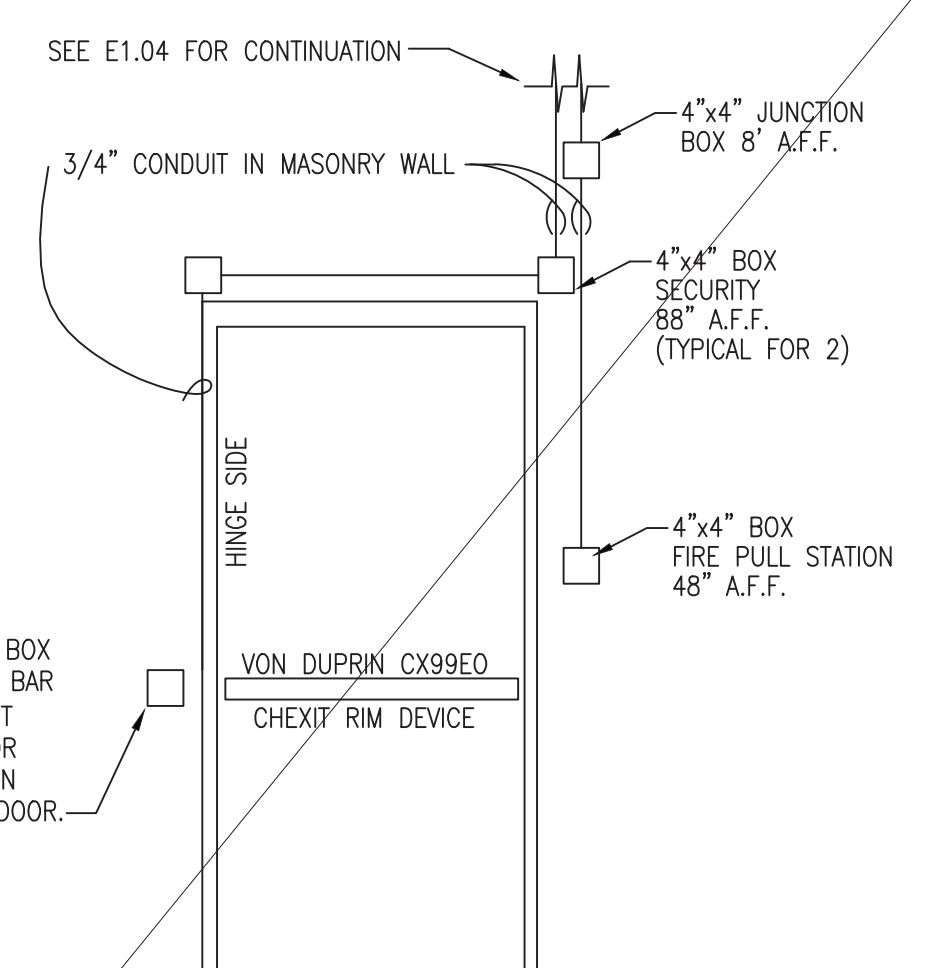
8 EMERGENCY FIXTURE BALLAST/EMS LOAD WIRING DIAGRAM
E5.01/NOT TO SCALE



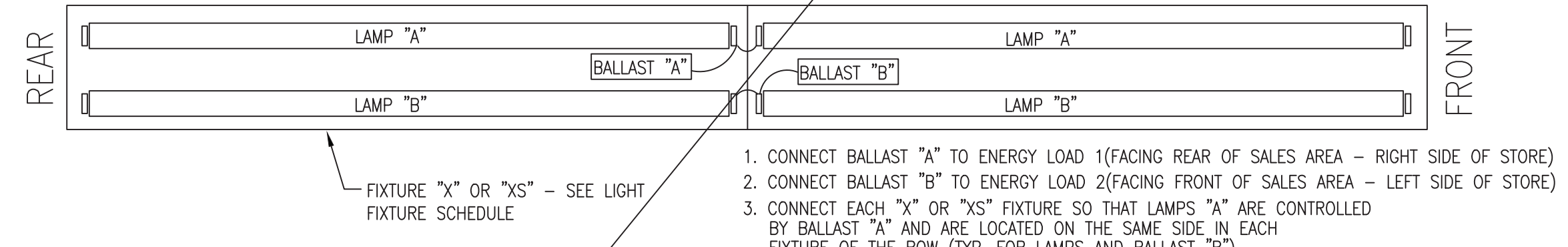
7 SIDE ELEVATION DUAL PRODUCE SLANT BINS
E5.01/NOT TO SCALE



6 SECURITY CONDUIT - DETAIL #2
E5.01/NOT TO SCALE



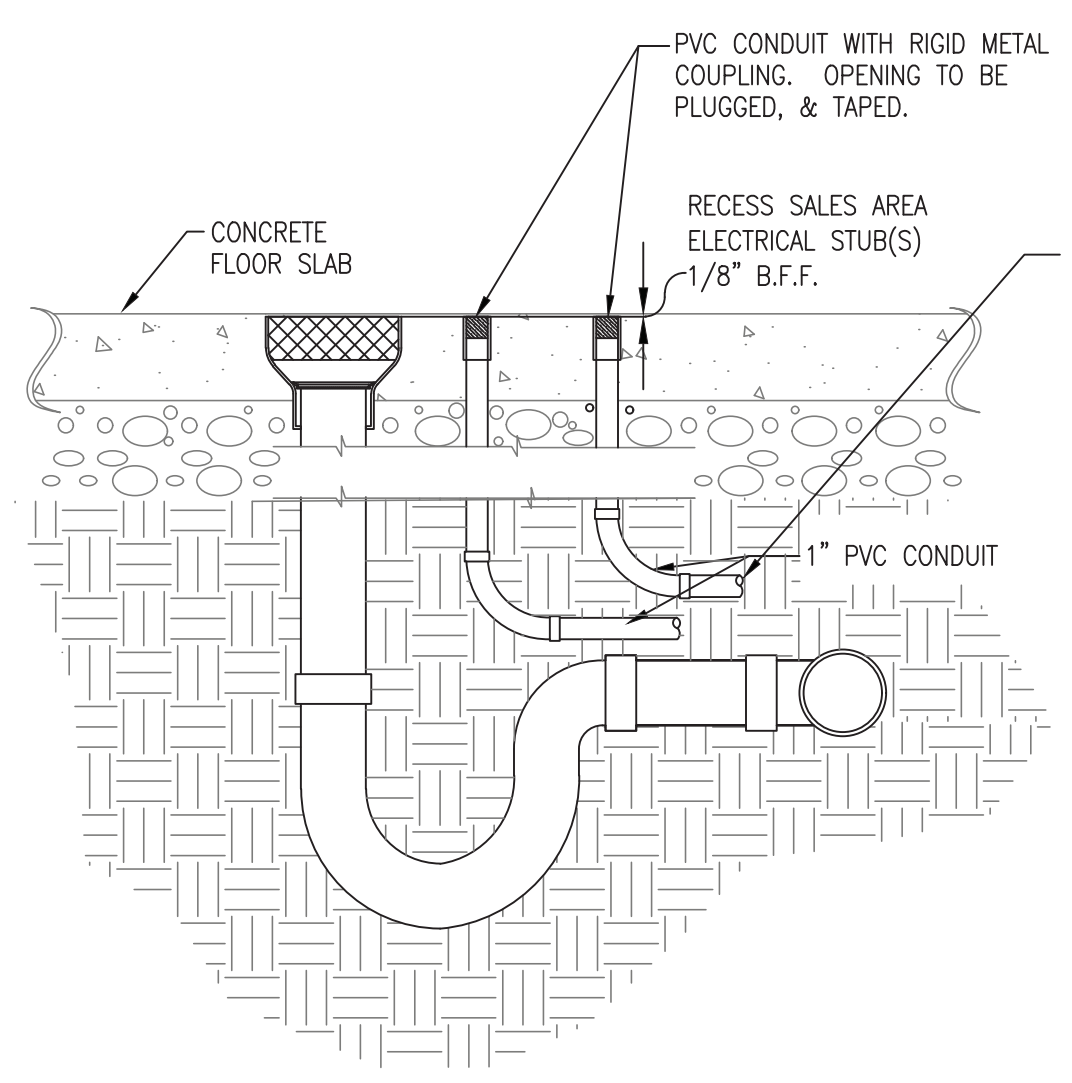
5 SECURITY CONDUIT - DETAIL #1
E5.01/NOT TO SCALE



- CONNECT BALLAST "A" TO ENERGY LOAD 1 (FACING REAR OF SALES AREA - RIGHT SIDE OF STORE)
- CONNECT BALLAST "B" TO ENERGY LOAD 2 (FACING FRONT OF SALES AREA - LEFT SIDE OF STORE)
- CONNECT EACH "X" OR "XS" FIXTURE SO THAT LAMPS "A" ARE CONTROLLED BY BALLAST "A" AND ARE LOCATED ON THE SAME SIDE IN EACH FIXTURE OF THE ROW (TYP. FOR LAMPS AND BALLAST "B").

NOTE
EVERY ROW CONSISTENTLY WIRED

10 MAIN SALES AREA LIGHTING WIRING DETAIL
E5.01/NOT TO SCALE



9 SALES FLOOR ELECTRICAL STUBS @ CASES
E5.01/NOT TO SCALE

LEGEND			
S	SINGLE POLE SWITCH	⊗	DROP FROM CEILING
Swp	WEATHERPROOF SWITCH	⊕	NEW FLOOR STUB-UP
Sp	SINGLE POLE SWITCH WITH PILOT LIGHT	○	ELECTRICAL CONNECTION UNDER CASE
S3p	THREE-WAY SWITCH WITH PILOT LIGHT	—	FLUORESCENT FIXTURE
Sm	SINGLE POLE, MOTOR RATED SWITCH.	⊙	LIGHT FIXTURE (SEE LIGHT FIXTURE SCHEDULE, SHEET E-1)
⊕	DUPLEX RECEPTACLE	⊗	EXIT LIGHT
⊕ W.P.	WEATHERPROOF RECEPTACLE	⊕	EMERGENCY LIGHT FIXTURE
⊕ 4	QUADRUPLEX RECEPTACLE	⊕	FAN MOTOR (HORSEPOWER AS NOTED)
⊕	SPECIAL PURPOSE OUTLET (TYPE AS NOTED)	■	PUSHBUTTON
⊕	4"x4" JUNCTION BOX	⊕	SIGNAL BELL
⊕	TELEPHONE JACK	⊕	SENSOR, TEMP/HUMIDITY (HANDY BOX MTD.)
⊕	MIC OR INTERCOM (AS NOTED)	⊕ SC	SCALE COMMUNICATION OUTLET
⊕	DISCONNECT SWITCH (TYPE AS NOTED)	⊕	MOTOR STARTER
⊕	THERMOSTAT	⊕	FLOOR BOX WITH BRASS TRIM AND DUPLEX RECEPTACLE.
⊕	MAGNETIC SWITCH		

EXISTING PANEL LA														
LOCATION: MECHANICAL ROOM #1		MAIN: 225A MLO		CONN. LOAD: 47.2 KVA		FEED: TOP		SYSTEM: 36.48		FEED: TOP		GROUND BUS: YES		
VOLTAGE: 208Y/120V		SURFACE		BUS RATING: 225A										
EMS	CKT	LOAD SERVED	COND	PHASE	NEUT	W	BRN	BLK	GRN	WHT	W	LOAD SERVED	CKT	EMS
-	1	ROW 1 LIGHTS	3/4"	F12	F12	F12	20V	L	L1	L2	L3	1/2 ROW 1 LIGHTS LYS	2	-
-	3	1/2 ROW 6 LIGHTS LYS	3/4"	F12	F12	F12	20V	L	L1	L2	L3	1/2 ROW 6 LIGHTS LYS	4	-
-	5	1/2 ROW 8 LIGHTS LYS	3/4"	F12	F12	F12	20V	L	L1	L2	L3	1/2 ROW 8 LIGHTS LYS	6	-
-	7	1/2 ROW 8 LIGHTS LYS	3/4"	F12	F12	F12	20V	L	L1	L2	L3	1/2 ROW 8 LIGHTS LYS	8	-
-	9	1/2 ROW 8 LIGHTS LYS	3/4"	F12	F12	F12	20V	L	L1	L2	L3	1/2 ROW 8 LIGHTS LYS	10	-
-	11	1/2 ROW 11 LIGHTS LYS	3/4"	F12	F12	F12	20V	L	L1	L2	L3	1/2 ROW 11 LIGHTS LYS	12	-
-	13	1/2 ROW 10 LIGHTS LYS	3/4"	F12	F12	F12	20V	L	L1	L2	L3	1/2 ROW 10 LIGHTS LYS	14	-
-	15	1/2 ROW 12 LIGHTS LYS	3/4"	F12	F12	F12	20V	L	L1	L2	L3	1/2 ROW 12 LIGHTS LYS	16	-
-	17	1/2 ROW 14 LIGHTS LYS	3/4"	F12	F12	F12	20V	L	L1	L2	L3	1/2 ROW 14 LIGHTS LYS	18	-
-	19	1/2 ROW 14 LIGHTS LYS	3/4"	F12	F12	F12	20V	L	L1	L2	L3	1/2 ROW 14 LIGHTS LYS	20	-
-	21	1/2 ROW 14 LIGHTS LYS	3/4"	F12	F12	F12	20V	L	L1	L2	L3	1/2 ROW 14 LIGHTS LYS	22	-
-	23	RESTROOM LYS	3/4"	F12	F12	F12	20V	L	L1	L2	L3	1/2 ROW 13 LIGHTS LYS	24	-
-	25	ROW 4 LIGHTS	3/4"	F12	F12	F12	20V	L	L1	L2	L3	SPARE	26	-
-	27	RESTROOM	3/4"	F12	F12	F12	20V	L	L1	L2	L3	SPARE	28	-
-	29	RESTROOM	3/4"	F12	F12	F12	20V	L	L1	L2	L3	1/2 DRY WALL LIGHTS	30	-
-	31	ROW 2 LIGHTS	3/4"	F12	F12	F12	20V	L	L1	L2	L3	BATHROOM HAND DRYERS	32	-
-	33	CONDENSER A	#	#	#	#	20V	L	L1	L2	L3	BATHROOM HAND DRYERS	34	-
-	35	CONDENSER A	#	#	#	#	20V	L	L1	L2	L3	RIGHT WALL LIGHTS	36	-
-	37	SPARE	-	-	-	-	20V	L	L1	L2	L3	WEIR FOUNDATION	38	-
-	39	SPARE	-	-	-	-	20V	L	L1	L2	L3	WEIR FOUNDATION	40	-
-	41	SPARE	-	-	-	-	20V	L	L1	L2	L3	SPARE	42	-

EXISTING PANEL LB														
LOCATION: MECHANICAL ROOM #1		MAIN: 225A MLO		CONN. LOAD: 28.6 KVA		FEED: TOP		SYSTEM: 36.48		FEED: TOP		GROUND BUS: YES		
VOLTAGE: 208Y/120V		SURFACE		BUS RATING: 225A										
EMS	CKT	LOAD SERVED	COND	PHASE	NEUT	W	BRN	BLK	GRN	WHT	W	LOAD SERVED	CKT	EMS
-	1	RECEIVING AREA LIGHTS	3/4"	F12	F12	F12	20V	L	L1	L2	L3	ISLAND PRODUCE LIGHTS	2	-
-	3	RR LOUNGE SECURITY LYS	3/4"	F12	F12	F12	20V	L	L1	L2	L3	POWDR AICE LIGHTS	4	-
-	5	RR LOUNGE SECURITY LYS	3/4"	F12	F12	F12	20V	L	L1	L2	L3	MEAT CANTARY LIGHTS	6	-
-	7	PREP/MAT CANTARY LIGHTS	3/4"	F12	F12	F12	20V	L	L1	L2	L3	RECEIVER STAND LYS	8	-
-	9	GRAND CASE LIGHTS	3/4"	F12	F12	F12	20V	L	L1	L2	L3	PRODUCE MEAT RECK UP LIGHTS	10	14
-	11	RR JANITOR LIGHTS	3/4"	F12	F12	F12	20V	L	L1	L2	L3	EN LIGHTS - STOCKING MEAT PREP	12	-
-	13	RR JANITOR FAN	3/4"	F12	F12	F12	20V	L	L1	L2	L3	LOUNGE REFR. RR ROW	14	-
-	15	MEAT PREP LYS	3/4"	F12	F12	F12	20V	L	L1	L2	L3	FLSD FROZER	16	-
-	17	MEAT PREP LYS	3/4"	F12	F12	F12	20V	L	L1	L2	L3	FLSD FROZER	18	-
-	19	COOL LYS	3/4"	F12	F12	F12	20V	L	L1	L2	L3	LOUNGE FAN	20	-
-	21	CANTARY LIGHTS - STORE FRONT	3/4"	F12	F12	F12	20V	L	L1	L2	L3	CANTARY REFRIGERABLE LIGHTS	22	-
-	23	CANTARY LIGHTS - STORE FRONT	3/4"	F12	F12	F12	20V	L	L1	L2	L3	GROCERY AREA RECEPT	24	-
-	25	WALL FANS	3/4"	F12	F12	F12	20V	L	L1	L2	L3	GROCERY AREA RECEPT	26	-
-	27	GRAND STORE LIGHTS	3/4"	F12	F12	F12	20V	L	L1	L2	L3	RECEPT BY PRODUCE PREP ROOM	28	-
-	29	(A) RESTROOM DOOR	3/4"	F12	F12	F12	20V	L	L1	L2	L3	MEAT PREP RECEPT	30	-
-	31	STORE FRONT SIGNS	3/4"	F12	F12	F12	20V	L	L1	L2	L3	MENS HAND DRYER	32	-
-	33	STORE FRONT SIGNS	3/4"	F12	F12	F12	20V	L	L1	L2	L3	MENS HAND DRYER	34	-
-	35	STORE FRONT SIGNS	3/4"	F12	F12	F12	20V	L	L1	L2	L3	MEAT PREP RECEPT	36	-
-	37	STORE FRONT SIGNS	3/4"	F12	F12	F12	20V	L	L1	L2	L3	MEAT PREP RECEPT	38	-
-	39	STORE FRONT SIGNS	3/4"	F12	F12	F12	20V	L	L1	L2	L3	LIGHTS ROW 4 BOTH ENDS	40	-
-	41	(A) SELF SERVICE SWERT-FAN	3/4"	F12	F12	F12	20V	L	L1	L2	L3	LOUNGE LYS - MEAT PREP	42	-

EXISTING PANEL LC														
LOCATION: MECHANICAL ROOM #1		MAIN: 225A MLO		CONN. LOAD: 58.4 KVA		FEED: TOP		SYSTEM: 36.48		FEED: TOP		GROUND BUS: YES		
VOLTAGE: 208Y/120V		SURFACE		BUS RATING: 225A										
EMS	CKT	LOAD SERVED	COND	PHASE	NEUT	W	BRN	BLK	GRN	WHT	W	LOAD SERVED	CKT	EMS
-	3	SALTER	#	#	#	#	20V	L	L1	L2	L3	BIG LIGHT B. BOOK ROOM	2	-
-	5	MEAT CHICKEN	3/4"	F12	F12	F12	20V	L	L1	L2	L3	PRODUCE TRUSS	4	-
-	9	MEAT CHICKEN	3/4"	F12	F12	F12	20V	L	L1	L2	L3	FLY FAN 1 & 2	6	-
-	11	MEAT CHICKEN	3/4"	F12	F12	F12	20V	L	L1	L2	L3	MEAT CHICKEN	8	-
-	13	MEAT CHICKEN	3/4"	F12	F12	F12	20V	L	L1	L2	L3	FLSD CABINET	10	-
-	15	MEAT CHICKEN	3/4"	F12	F12	F12	20V	L	L1	L2	L3	DARY COOLER	12	-
-	17	MEAT CHICKEN	3/4"	F12	F12	F12	20V	L	L1	L2	L3	PRODUCE PREP FAN	14	-
-	19	MEAT CHICKEN	3/4"	F12	F12	F12	20V	L	L1	L2	L3	MEAT PREP FANS	16	-
-	21	MEAT CHICKEN	3/4"	F12	F12	F12	20V	L	L1	L2	L3	PRODUCE PREP COOLER	18	-
-	23	MEAT CHICKEN	3/4"	F12	F12	F12	20V	L	L1	L2	L3	MEAT PREP SCALE	20	-
-	25	MEAT CHICKEN	3/4"	F12	F12	F12	20V	L	L1	L2	L3	PRODUCE PREP LYS	22	-
-	27	MEAT CHICKEN	3/4"	F12	F12	F12	20V	L	L1	L2	L3	PRODUCE PREP LYS	24	-
-	29	MEAT CHICKEN	3/4"	F12	F12	F12	20V	L	L1	L2	L3	PRODUCE PREP LYS	26	-
-	31	MEAT CHICKEN	3/4"	F12	F12	F12	20V	L	L1	L2	L3	FREEZER HEATER USE OR COOL	30	-
-	33	MEAT CHICKEN	3/4"	F12	F12	F12	20V	L	L1	L2	L3	JANITORS RM WATER HEATER	32	-
-	35	MEAT CHICKEN	3/4"	F12	F12	F12	20V	L	L1	L2	L3	EN LIGHTS-RR CORR. DR. SALES FL	34	-
-	37	MEAT CHICKEN	3/4"	F12	F12	F12	20V	L	L1	L2	L3	BATHROOM WATER HEATER	36	-
-	39	MEAT CHICKEN	3/4"	F12	F12	F12	20V	L	L1	L2	L3	WATER COOLER BY BATHROOM	38	-
-	41	MEAT CHICKEN	3/4"	F12	F12	F12	20V	L	L1	L2	L3	WATER COOLER BY BATHROOM	40	-

Note 2: Provide HACR rated breaker(s) for circuit(s) 17, 19, 23, 27, 29, 33

EXISTING PANEL PA														
LOCATION: MECHANICAL ROOM #1		MAIN: 225A MLO		CONN. LOAD: 36.9 KVA		FEED: TOP		SYSTEM: 36.48		FEED: TOP		GROUND BUS: YES		
VOLTAGE: 208Y/120V		SURFACE		BUS RATING: 225A										
EMS	CKT	LOAD SERVED	COND	PHASE	NEUT	W	BRN	BLK	GRN	WHT	W	LOAD SERVED	CKT	EMS
-	1	RR ROW	3/4"	F12	F12	F12	20V	L	L1	L2	L3	A-7 FANS	2	-
-	3	(A) NO PRODUCE-LIGHTS	3/4"	F12	F12	F12	20V	L	L1	L2	L3	A-7 LIGHTS	4	-
-	5	(A) NO PRODUCE-FANS	3/4"	F12	F12	F12	20V	L	L1	L2	L3	B-7 LIGHTS	6	-
-	7	A-3 FANS	3/4"	F12	F12	F12	20V	L	L1	L2	L3	B-2 FANS	8	-
-	9	A-3 LIGHTS	3/4"	F12	F12	F12	20V	L	L1	L2	L3	B-2 LIGHTS	10	-
-	11	(A) NO LOUNGE MEAT-LYS	3/4"	F12	F12	F12	20V	L	L1	L2	L3	A-9 FAN	12	-
-	13	(A) NO LOUNGE MEAT-FAN	3/4"	F12	F12	F12	20V	L	L1	L2	L3	B-9 LIGHTS	14	-
-	15	(A) NO LOUNGE MEAT-RR	3/4"	F12	F12	F12	20V	L	L1	L2	L3	A-11 LIGHTS	16	-
-	17	B-3 FANS	3/4"	F12	F12	F12	20V	L	L1	L2	L3	A-11 FAN	18	-
-	19	B-3 LIGHTS	3/4"	F12	F12	F12	20V	L	L1	L2	L3	A-11 MEAT FAN	20	-
-	21	(A) NO LOUNGE MEAT-RR	3/4"	F12	F12	F12	20V	L	L1	L2	L3	A-11 MEAT LIGHTS	22	-
-	23	WALL FANS	3/4"	F12	F12	F12	20V	L	L1	L2	L3	B-3 LIGHTS	24	-
-	25	A-10 LIGHTS	3/4"	F12	F12	F12	20V	L	L1	L2	L3	B-3 MOTOR A/S	26	-
-	27	A-10 FANS	3/4"	F12	F12	F12	20V	L	L1	L2	L3	B-3 FAN	28	-
-	29	A-10 LIGHTS	3/4"	F12	F12	F12	20V	L	L1	L2	L3	B-4 FANS	30	-
-	31	A-10 FANS	3/4"	F12	F12	F12	20V	L	L1	L2	L3	B-4 LIGHTS	32	-
-	33	A-4 FANS	3/4"	F12	F12	F12	20V	L	L1	L2	L3	B-4 LIGHTS	34	-
-	35	A-4 A/S	3/4"	F12	F12	F12	20V	L	L1	L2	L3	SPARE	36	-
-	37	A-4 LIGHTS	3/4"	F12	F12	F12	20V	L	L1	L2	L3	B-9 LIGHTS	38	-
-	39	A-4 FANS	3/4"	F12	F12	F12	20V	L	L1	L2	L3	B-9 A/S	40	-
-	41	SPARE	-	-	-	-	20V	L	L1	L2	L3	SPARE	42	-

EXISTING PANEL PB													
LOCATION: MECHANICAL ROOM #1		MAIN: 225A MLO		CONN. LOAD: 42.5 KVA		FEED: TOP		SYSTEM: 36.48		FEED: TOP		GROUND BUS: YES	
VOLTAGE: 208Y/120V		SURFACE		BUS RATING: 225A									



FOOD LION
REMODEL
STORE #1237
133 MITTIE HADDOCK DRIVE
CAMERON, NC, 28326

PROJECT NO: 2023.0026
DATE: 09/06/23

41 OF 43
E6.02
ELECTRICAL SCHEDULES
AND DIAGRAMS

CHECKED: SN DRAWN: MM/YO

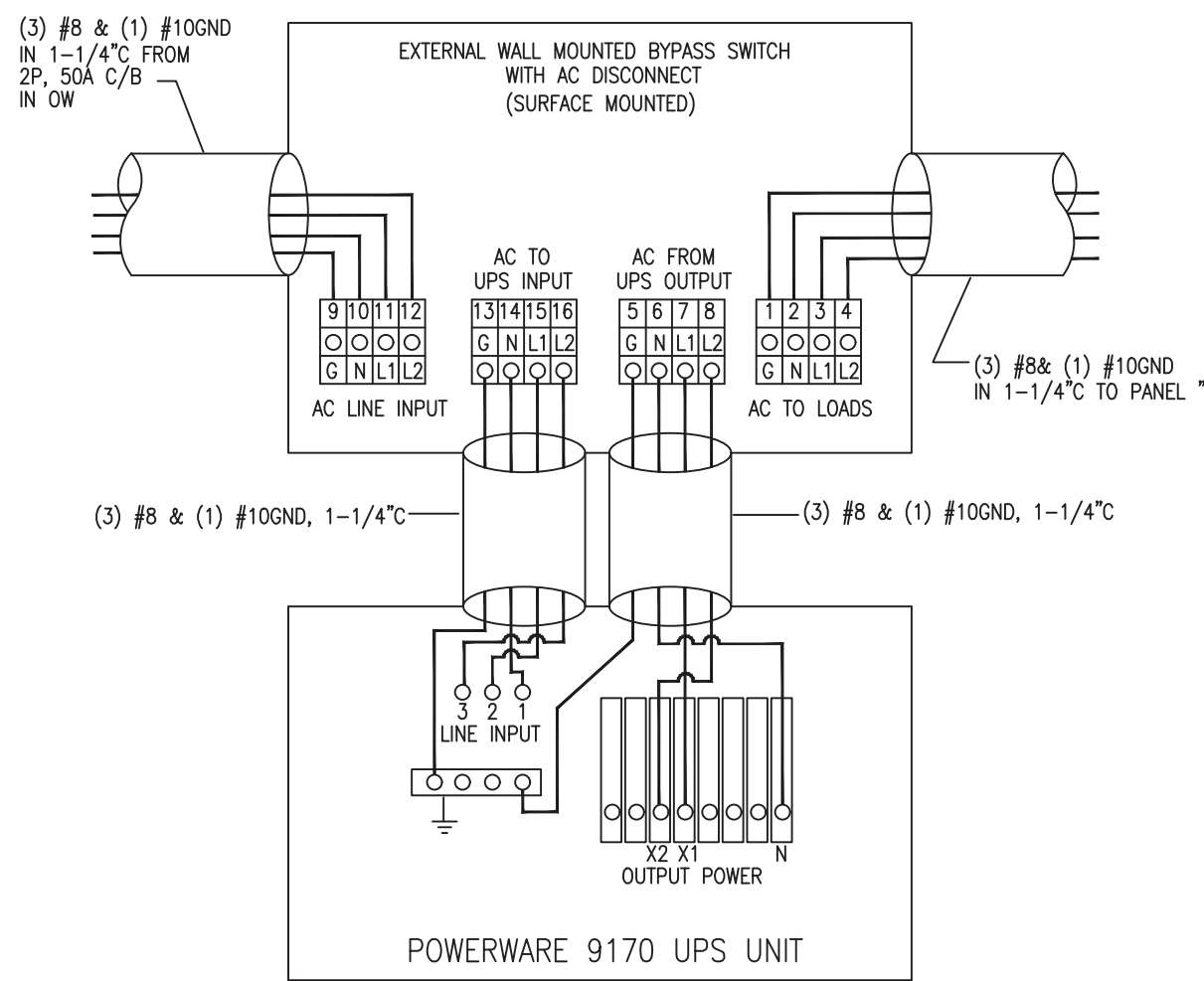
LIGHT FIXTURE SCHEDULE

FIXTURE TYPE	DESCRIPTION	MANUFACTURER	LABEL	WATTS	VOLTS	NOTE	LOCATION
XCL	EGRESS LIGHT	LITHONIA	AFN DB EXT	0.05	MVOLT		EXTERIOR EGRESS EMERGENCY LIGHT
E1	EMERGENCY LIGHT, 2 HEAD	MULE	MRDR-6-12-W-LED	54	MVOLT		TO BE USED WHEN EXISTING FIXTURES ARE OFF-WHITE AND STORE IS GETTING ALL NEW FINISHES (COOL COLOR SCHEME)
RT8	ULTRA LED RT8 RECESSED DOWNLIGHT KIT	SYLVANIA	LED/RT8/300/935	40	120		RECESSED DOWNLIGHT RESTROOM LIGHTS

LIGHT FIXTURES SHALL BE MANUFACTURED BY LITHONIA UNLESS NOTED OTHERWISE. PURCHASE FROM SYLVANIA AT THE NATIONAL CONTRACT PRICE. FOR PURCHASE, CONTACT SYLVANIA AT 1-800-573-1514 EXT. 0066. THE ELECTRICAL CONTRACTOR SHALL BE RESPONSIBLE FOR VERIFYING ALL QUANTITIES, RATINGS, LENGTHS...ETC. ANY DISCREPANCIES SHALL BE RESOLVED WITH SYLVANIA PRIOR TO BID. CONTRACTOR SHALL BE RESPONSIBLE FOR ANY ADDITION TO THE BILL OF MATERIALS DUE TO LOCAL, STATE GOVERNMENTAL CODES.

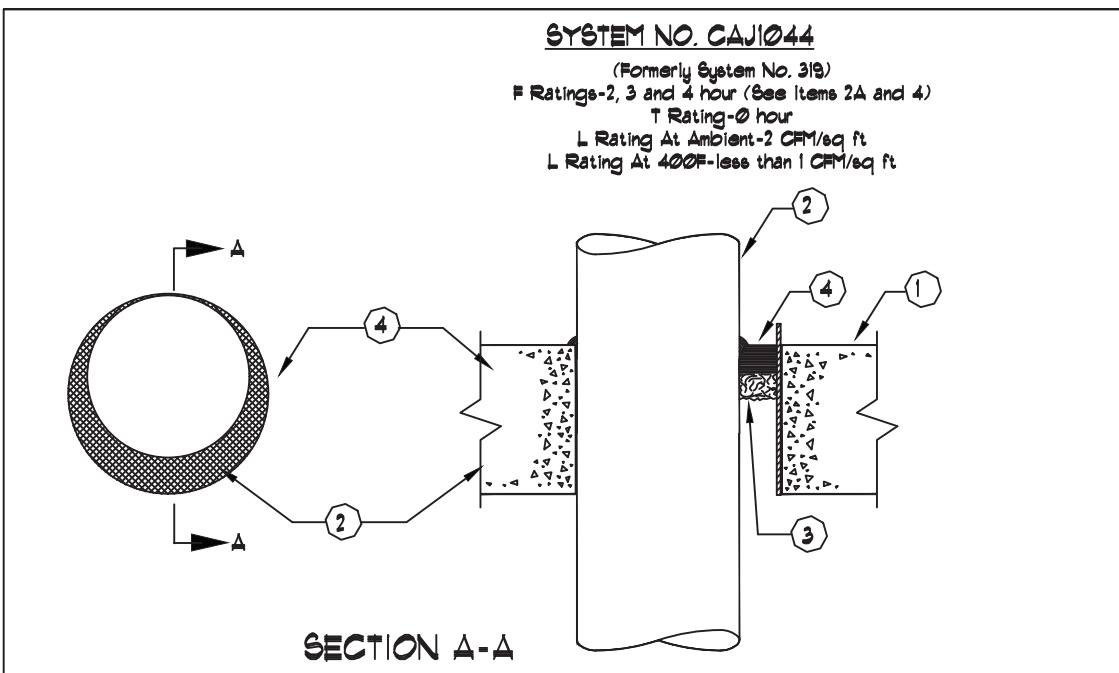
LIGHT FIXTURE SCHEDULE NOTES

- ALL LIGHT FIXTURES (FLUORESCENT AND LED) AND LAMPS SHALL BE PURCHASED FROM SYLVANIA LIGHTING SERVICES CORP. LIGHTING DESIGN AND PROJECT MANAGEMENT DEPARTMENT, 200 MIDWAY PARK DRIVE, MIDDLETON, NY 10940 AT THE NATIONAL CONTRACT PRICE. FOR PURCHASE, CONTACT LISA B. MASTIN AT 1-800-573-1514 EXT. 0066 EMAIL: LisaB.Mastin@osram.com. ALL FIXTURES SHALL BE INSTALLED AND POWERED BY THE ELECTRICAL CONTRACTOR. THE ELECTRICAL CONTRACTOR SHALL BE RESPONSIBLE FOR VERIFYING ALL QUANTITIES, RATINGS, LENGTHS, ETC.
- SEE SHEET E1.01 FOR MOUNTING HEIGHTS OF ALL LIGHTING FIXTURES. COORDINATE CABLE MOUNTING LENGTH WITH MOUNTING HEIGHT OF FIXTURE.
- INSTALL 'SREP' CLIPS ON BOTH SIDES OF EACH ROW OF FIXTURES. PROVIDE BLACK MC POWER FEED. TIE WRAP MC CORD NEATLY TO AIRCRAFT CABLE.
- FIXTURE TO BE MOUNTED ON TOP OF REFRIGERATED CASE. MOUNT FIXTURE 24" FROM CENTER OF FIXTURE TO FACE OF WALL. POSITION REFLECTOR TO FACE THE WALL.
- ALL LAMPS SHALL BE MANUFACTURED BY GENERAL ELECTRIC, SYLVANIA OR PHILLIPS, UNLESS NOTED OTHERWISE.
- SUSPEND QZAS FIXTURES WITH AIRCRAFT CABLE. PROVIDE WHITE MC CABLE POWER FEED. TIE WRAP MC CABLE NEATLY TO AIRCRAFT CABLE.
- PROVIDE TUBE SHIELDS FOR ALL LAMPS IN THE PRODUCE PREP AND SALES AND ALL FIXTURES IDENTIFIED WITH 'TS'.
- MOUNTED TO BACK OF BULKHEAD



- UPS UNIT NOTES:
- THIS DIAGRAM MUST BE FOLLOWED PER PROPER PHASING AND OPERATION.
 - PANEL 'CR' TO BE POWERED BY 208 VAC HOT, NEUTRAL AND ISOLATED GROUND.
 - ALL ELECTRICAL WIRING WILL BE DONE IN A MANNER ACCEPTABLE TO FOOD LION AMERICA AND THE N.E.C.
 - FOR ANY QUESTIONS, CALL NATIONAL POWER CORPORATION AT (336) 613-3679.
 - NATIONAL POWER IS RESPONSIBLE FOR STARTING UP THE U.P.S. SYSTEM.
 - 6"x6"x4"D JUNCTION BOX SHALL BE FLUSH MOUNTED DIRECTLY BEHIND THE BYPASS SWITCH FOR CONCEALED UPS WIRING.

1 "UPS" UNIT WIRING DIAGRAM
E6.02 NOT TO SCALE



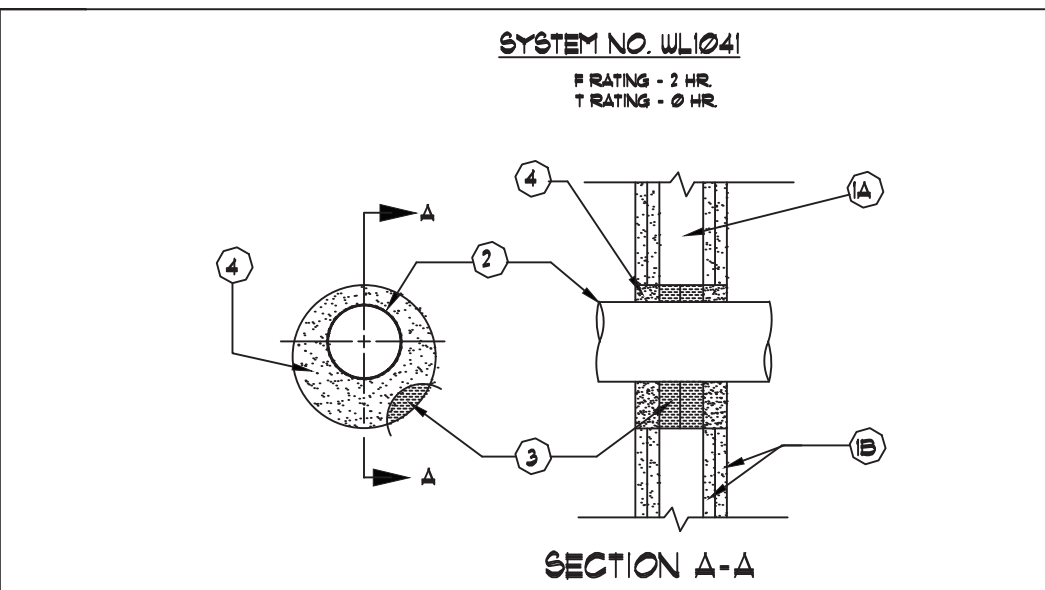
- SYSTEM NO. CAJ1044**
(Formerly System No. 38)
F Ratings-2, 3 and 4 hour (See Items 2A and 4)
Rating of floor
L Rating At 400# less than 1 CM/1sq ft
L Rating At 400# less than 1 CM/1sq ft
- FLOOR OR WALL ASSEMBLY-Lightweight or normal weight (100-350 pcf) concrete. Except as noted in table under item 4, min thickness of solid concrete floor or wall assembly is 4-1/2 in. Floor may also be constructed of any min 6 in thick UL Classified hollow core PRECAST CONCRETE UNIT. When floor is constructed of hollow core precast concrete units, packing material (item 3) and caulk (item 4) to be installed symmetrically on both sides of floor. Flush with floor surface. Wall assembly may also be constructed of any UL Classified CONCRETE BLOCKS. Max clear of opening in solid lightweight or normal weight concrete. Floor is 32 in. Max clear of opening in floor constructed of hollow-core precast concrete units is 7 in. See CONCRETE BLOCKS (CA17) and PRECAST CONCRETE UNITS (CPV) categories in the Fire Resistance Directory for names of manufacturers.
 - STEEL SLEEVES- (Optional) not shown. Max 8 in. ID (or smaller) Schedule 40 (or heavier) steel sleeve cast or grouted into floor or wall assembly. Sleeve may extend a max. of 2 in. above top of floor or beyond either surface of wall. Max 16 in. ID (or smaller) min. Ø.25 wall thickness (or heavier) galvanized steel sleeve cast or grouted into floor or wall assembly. Sleeve may extend a max. of 1/2 in. beyond either surface of floor or wall.
 - THROUGH PENETRANTS-One metallic pipe, conduit or tubing to be installed either concentrically or eccentrically within the firestop system. Max annular space between pipe, conduit or tubing and edge of through opening or sleeve is dependent on the parameters shown in item 4. Min annular space between pipe or conduit and edge of through opening is zero in (point contact). Pipe, conduit or tubing to be rigidly supported on both sides of floor or wall assembly. The following type and sizes of metallic pipes, conduits or tubing may be used:
 - A. STEEL PIPE-Non 30 in. diam (or smaller) Schedule 40 (or heavier) steel pipe.
 - B. IRON PIPE-Non 30 in. diam (or smaller) cast or ductile iron pipe.
 - C. CONDUIT-Non 6 in. diam (or smaller) rigid steel conduit.
 - D. CONDUIT-Non 4 in. diam (or smaller) steel electrical metallic tubing.
 - E. COPPER TUBING-Non 6 in. diam (or smaller) Type L (or heavier) copper tubing.
 - F. COPPER PIPE-Non 6 in. diam (or smaller) Regular (or heavier) copper pipe.
 - PACKING MATERIAL-Polyethylene packer rod of non 1 in. thickness of lightly-packed mineral wool batt or glass fiber insulation firmly packed into opening as a permanent form. Packing material to be recessed from top surface of floor or from both surfaces of wall as required to accommodate the required thickness of caulk (item 4).
 - FILL, VOID OR CAVITY MATERIAL-CALK-Applied to fill the annular space flush with top surface of floor. In wall assemblies, required caulk thickness to be installed symmetrically on both sides of wall. Flush with wall surface. At point contact location between penetrant and sleeve or between penetrant and concrete, a min 1/4 in. diam bead of caulk shall be applied at the top surface of floor and at both surfaces of wall. The hourly F Ratings and the min required caulk thickness are dependent upon a number of parameters, as shown in the following table:

Min Floor Or Wall Thick. in	Non Pipe Tube Or Conduit Diam. in	Max Annular Space in	Min Caulk Thick. in	F Rating Hr
2-1/2	1/2-2	1-3/8	1/2	2
2-1/2	1/2-2	3-1/4	1	2
4-1/2	1/2-2	1-3/8	1/4 (a)	3
4-1/2	1/2-2	1-1/4	1/2	3
4-1/2	1/2-2	2	1	3
4-1/2	1/2-2	2	1	3
4-1/2	1/2-2	3-1/4	1	3
4-1/2	1/2-2	2	2	3
4-1/2	1/2-2	1-3/8	1/2	4

(a) Min 2 in thickness of material wool batt insulation required in annular space.
(b) Min 1 in thickness of material wool batt insulation required in annular space on both sides of floor or wall assembly. Min 1 in thickness of caulk to be installed flush with top surface of floor or wall assembly.
*Bearing the UL Classification Marking

FLOOR OR WALL ASSEMBLY

1-2 HR UL PENETRATION (STEEL CONDUIT)



- Wall Assembly - The fire-rated gypsum wallboard/wall assembly shall be constructed of the materials and in the manner specified in the individual UL600 or UL600 Series Wall and Partition Designs in the UL Fire Resistance Directory and shall include the following construction features:
 - A. Studs - Wall framing may consist of either wood studs or steel channel studs. Wood studs to consist of non 2 by 4 in. lumber spaced max 16 in. OC. Steel studs to be 8 min 2-1/2 in wide and spaced 24 in. OC.
 - B. Wallboard, Gypsum - Two layers of non 5/8 in thick gypsum wallboard, as specified in the individual Wall and Partition Designs. Max clear of opening not to exceed 1 in.
- Through Penetrants - One metallic pipe or conduit to be installed concentrically or eccentrically within the firestop system. The annular space shall be sized to be at least 1/2 in. larger than the opening dia. centered in the wall micro-depth and compressed so that it is recessed a min. of 1/4 in. from each surface.
 - A. Steel Pipe - Non 4 in. diam (or smaller) Schedule 40 (or heavier) steel pipe.
 - B. Conduit - Non 4 in. diam (or smaller) electrical metallic tubing or steel conduit.
 - C. Copper Tubing - Non 3 in. diam (or smaller) Type M (or heavier) copper tubing.
- Packing Material - Min 3-1/2 in. thickness of min Ø.3 pcf fiberglass insulation firmly packed into opening as a permanent form. The packing material shall be sized to be at least 1/2 in. larger than the opening dia. centered in the wall micro-depth and compressed so that it is recessed a min. of 1/4 in. from each surface.
 - A. Fill, Void or Cavity Material - Dry mix material mixed with water at a rate of 800 grams of dry mix per 48 to 50 ml of water or a 48/100 to 50/100 ratio by weight of water to dry mix. In accordance with the accompanying installation instructions. Material applied to each surface of the packing material within the annular between the penetrating item and periphery of opening to a min. depth of 1-1/4 in. Material shall be troweled flush with both surfaces of wall assembly.

Gold Bond Building Products, National Gypsum Div., Type 94-6000H 94

** Bearing the UL Classification Marking

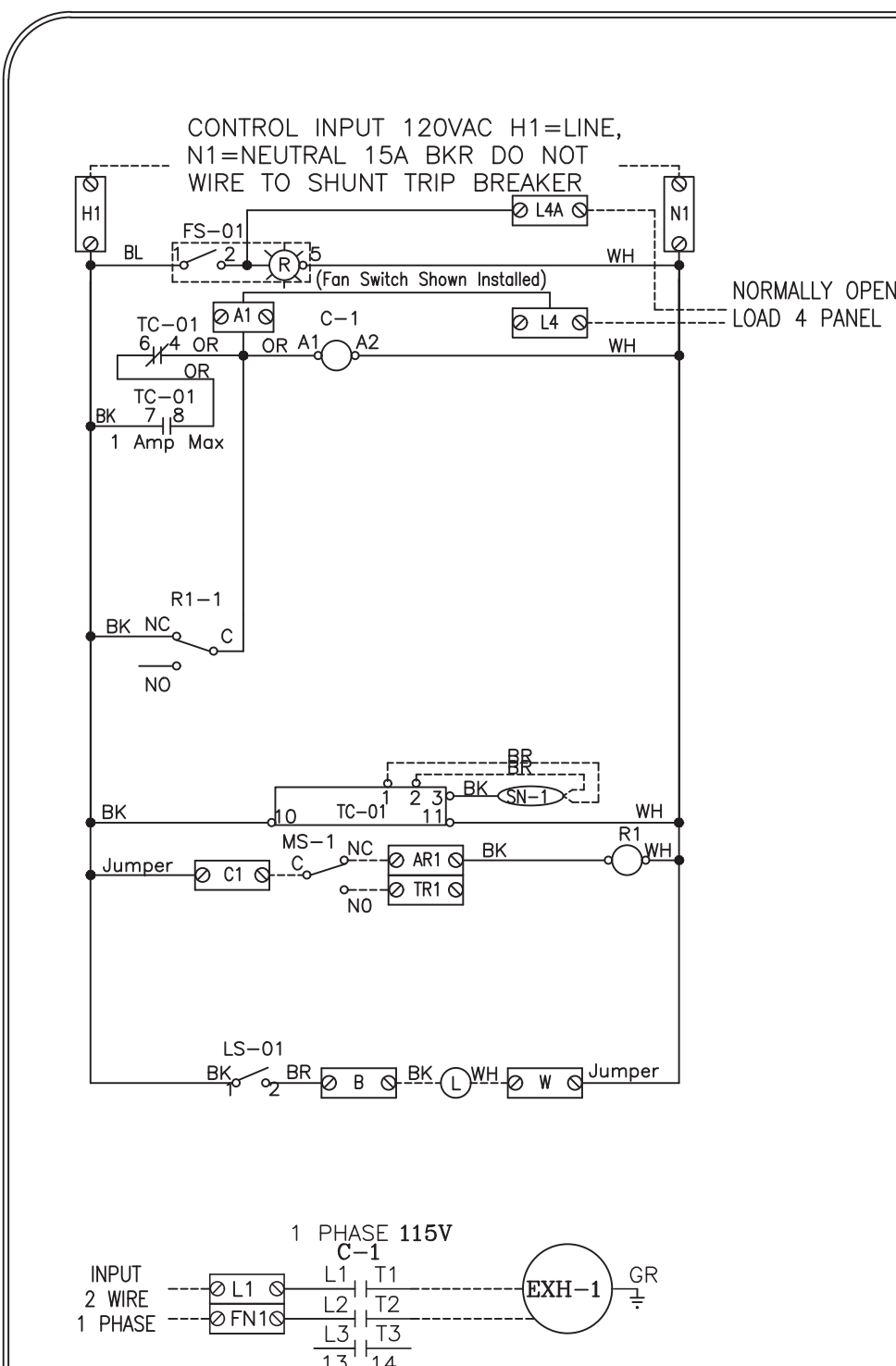
UL PENETRATING PROCEDURE DETAILS

1-2 HR UL PENETRATION (STEEL CONDUIT)

UL PENETRATING PROCEDURE DETAILS

NOT TO SCALE

HOOD SYSTEM WIRING DETAIL

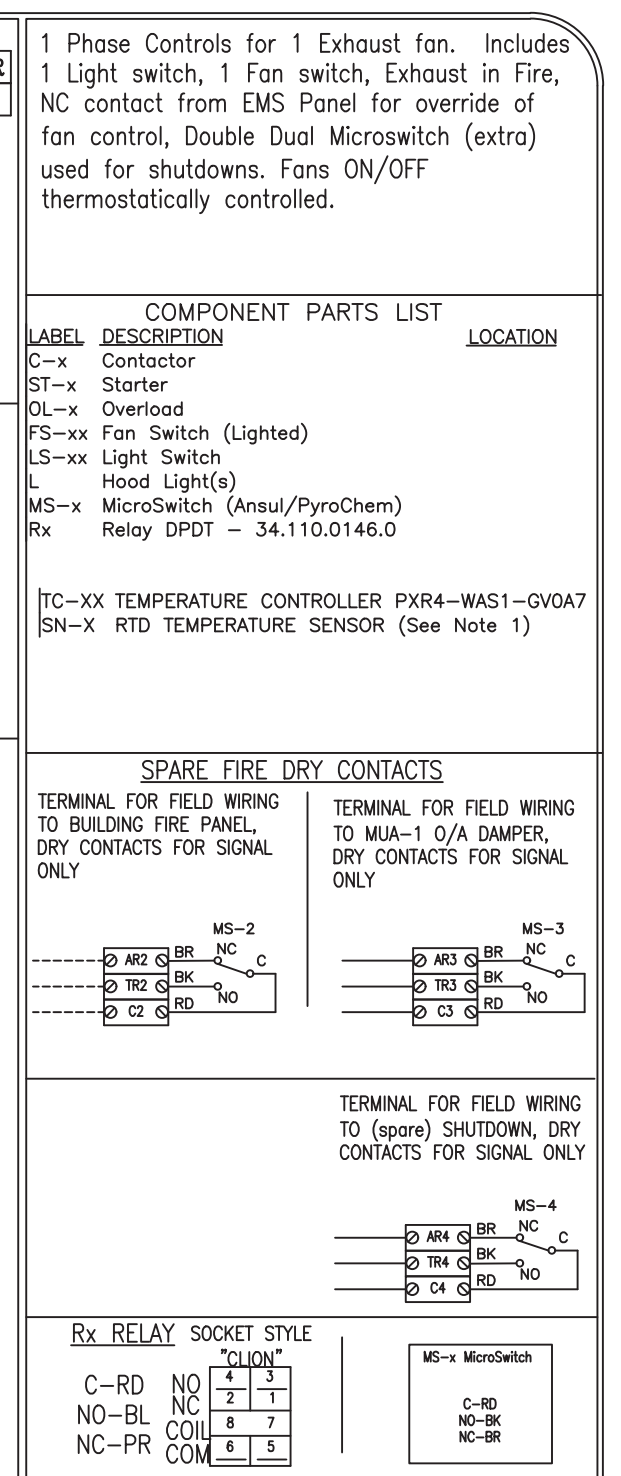


Motor	Type	PH	Volt	HP	PLA	BREAKER
Exh-1	Exh	1	115	0.333	6	15 Amp

NOTES:
----- DENOTES FIELD WIRING
———— DENOTES INTERNAL WIRING

WIRE COLOR
BK - BLACK YW - YELLOW
BL - BLUE GR - GRAY
BR - BROWN PR - PURPLE
OR - ORANGE OR/BL - ORANGE/BLUE (STRIPE)
RD - RED BL/RD - BLUE/RED (STRIPE)
WH - WHITE BL/GN - RED/GREEN (STRIPE)

DRAWING SHOWN DE-ENERGIZED
NOTE: IF WALL MOUNT PREWIRE, OR FIELD INSTALLED FIRE SYSTEM MICROSWITCH, THE TERMINALS SHOWING FACTORY WIRING MUST BE FIELD WIRED.



2 WIRING DETAIL FOR THERMA-STOR III-1 RECLAIM WATER HEATER
E6.02 NOT TO SCALE

12 x 18 x 6 Box

EMS LOAD 1
(WORK LIGHTS)

LOCATION
WOMEN'S REST ROOM
MENS REST ROOM
LOUNGE
STORAGE / ICE CREAM FREEZER
1/2 SALES AREA LIGHTING
DEPT. MNGR'S OFFICE/ PC TRAINING ROOM
JANITOR'S AREA
MEAT/DELI/BAKERY FREEZER
MEAT PREP
MEAT COOLER
PRODUCE PREP
PRODUCE COOLER
STORE MANAGERS OFFICE
CASH OFFICE/WORK ROOM
CORRIDOR
CHECKOUTS
CUSTOMER SERVICE
DSD STATION
RECEIVING AREA / GROCERY STAGING
DATA CLOSET
VESTIBULE LIGHTS
PRODUCE AIR CURTAINS
PRODUCE ROLL UP DOORS
JANITOR'S AREA EXHAUST FAN
PRODUCE TRACK LIGHTING
WINE TRACK LIGHTING

EMS LOAD 2
(HALF SALES)

LOCATION
1/2 SALES AREA LIGHTING

EMS LOAD 3
(SECURITY)

LOCATION
DOCK CANOPY LIGHTS
FRONT CANOPY LIGHTS
PHARMACY DRIVE THRU CANOPY LIGHTS

EMS LOAD 4
(DELI/BAKERY)

LOCATION
DELI/BAKERY LIGHTING
CHICKEN FRYER
ROTISSERIE
OLIVE CART

EMS LOAD 5
(STOREFRONT)

LOCATION
EXTERIOR STOREFRONT SIGN LIGHTING
ROAD SIGN LIGHTING

EMS LOAD 6
(ALL CASE LIGHTS)

LOCATION
BEER SIGNAGE RECEPTACLES
DAIRY CASE LIGHTS
PRODUCE CASE LIGHTS
MEAT CASE LIGHTS
BAKERY CASE LIGHTS
FROZEN FOOD CASE LIGHTS
LUNCH MEAT CASE LIGHTS
ICE CREAM CASE LIGHTS

EMS LOAD 7
(WATER HEATERS)

LOCATION
WATER HEATERS (MECHANICAL ROOM)

EMS LOAD 8
(PARKING LOT LIGHTS)

LOCATION
PARKING LOT LIGHTING DIRECTLY AFFECTING STORE OPERATIONS

1 EMS LOADS - TABLE A
E6.03 NOT TO SCALE

EMS LOAD 1
(WORK LIGHTS)

LOCATION
WOMEN'S REST ROOM
MENS REST ROOM
LOUNGE
STORAGE / ICE CREAM FREEZER
1/2 SALES AREA LIGHTING
DEPT. MNGR'S OFFICE/ PC TRAINING ROOM
JANITOR'S AREA
MEAT/DELI/BAKERY FREEZER
MEAT PREP
MEAT COOLER
PRODUCE PREP
PRODUCE COOLER
STORE MANAGERS OFFICE
CASH OFFICE/WORK ROOM
CORRIDOR
CHECKOUTS
CUSTOMER SERVICE
DSD STATION
RECEIVING AREA / GROCERY STAGING
DATA CLOSET
VESTIBULE LIGHTS
PRODUCE AIR CURTAINS
PRODUCE ROLL UP DOORS
JANITOR'S AREA EXHAUST FAN
PRODUCE TRACK LIGHTING
WINE TRACK LIGHTING

EMS LOAD 3
(SECURITY)

LOCATION
DOCK CANOPY LIGHTS
FRONT CANOPY LIGHTS
PHARMACY DRIVE THRU CANOPY LIGHTS

EMS LOAD 4
(DELI/BAKERY)

LOCATION
DELI/BAKERY LIGHTING
CHICKEN FRYER
ROTISSERIE
OLIVE CART

EMS LOAD 5
(STOREFRONT)

LOCATION
EXTERIOR STOREFRONT SIGN LIGHTING
ROAD SIGN LIGHTING

EMS LOAD 6
(MED TEMP CASES)

LOCATION
BEER SIGNAGE RECEPTACLES
DAIRY CASE LIGHTS
PRODUCE CASE LIGHTS
MEAT CASE LIGHTS
BAKERY CASE LIGHTS
LUNCH MEAT CASE LIGHTS

EMS LOAD 7
(LOW TEMP CASES)

LOCATION
FROZEN FOOD LIGHTS
FROZEN MEAT LIGHTS
ICE CREAM LIGHTS
FROZEN BAKERY LIGHTS

EMS LOAD 8
(PARKING LOT LIGHTS)

LOCATION
PARKING LOT LIGHTING DIRECTLY AFFECTING STORE OPERATIONS

EMS LOAD 9
(LIGHTS)

LOCATION
NEW TRELLIS

EMS LOAD 10
(EXHAUST FAN)

LOCATION
MECHANICAL ROOM

EMS LOAD 11
(SUPPLY FAN)

LOCATION
MECHANICAL ROOM

EMS LOAD 12
(WATER HEATERS)

LOCATION
WATER HEATERS (MECHANICAL ROOM)

EMS LOAD 13
(ACCENT LIGHTING)

LOCATION
RIGHT AND LEFT WALL CASE UP-LIGHTING

EMS LOAD 14
(DECOR/SIGNAGE LIGHTING)

LOCATION
CASE UP-LIGHTING
DEPARTMENT SIGN LIGHTING

EMS LOAD 15
(PARKING LOT SECURITY LIGHTS)

LOCATION
STORE PARKING LOT SECURITY LIGHTING

EMS LOAD 16
(BEER CASE LIGHTING)

LOCATION
BEER CASE LIGHTING

2 EMS LOADS - TABLE B
E6.03 NOT TO SCALE

EMS LOAD 2
(HALF SALES)

LOCATION
1/2 SALES AREA LIGHTING

EMS REMODEL NOTES
FOR ELECTRICAL AND MECHANICAL CONTRACTORS

THESE NOTES ARE PROVIDED TO CLARIFY THE PORTION OF THIS PROJECT. IF THERE IS A CONFLICT BETWEEN THESE NOTES AND THE PRINT THESE NOTES TAKE PRECEDENCE OVER THE PRINT. IF THERE ARE ANY QUESTIONS REGARDING THE INTENT OR SCOPE OF THESE NOTES PLEASE CONTACT SESCO BILL MCCOLLOUGH (336-580-0152 OR BILLY@TRS-SESCO.COM).

ELECTRICAL:

- EACH REFRIGERATION CIRCUIT WILL HAVE ITS OWN ELECTRICAL CIRCUIT. AS AN EXAMPLE, IF ONE REFRIGERATION CIRCUIT IS REMOVED AND IS REPLACED BY TWO REFRIGERATION CIRCUITS AN ADDITIONAL ELECTRICAL CIRCUIT WILL BE REQUIRED. THIS CIRCUIT WILL HAVE LIGHTS AND FANS SEPARATED AND ANTI-SWEAT RAN THROUGH THE ANTI-SWEAT CONTROLLER FOR ALL NEW AND RELOCATED GLASS DOOR FROZEN FOOD CASES.
- ALL REFRIGERATED CASE LIGHTS WILL BE ON LOAD SIX. EXISTING CASES DO NOT APPLY, ALTHOUGH IF AN EXISTING ELECTRICAL CIRCUIT IS RE-USED FOR NEW CASES AND OR RELOCATED CASES THE LIGHTING CIRCUIT WILL NEED TO BE ON LOAD SIX.
- IF A CASE(S) REQUIRES AN ANTI-SWEAT CIRCUIT AND THE EXISTING WIRING DOES NOT HAVE THIS AVAILABLE THEN AN ADDITIONAL CIRCUIT FOR ANTI-SWEAT WILL BE PROVIDE AND RAN THROUGH THE ANTI-SWEAT PANEL. EC NEEDS TO LABEL ALL NEW CIRCUITS WITH BOTH BREAKER AND REFRIGERATION CIRCUIT IDENTIFICATION.
- IF THE FROZEN FOOD LINE UP HAS CHANGED LOCATIONS THE ANTI-SWEAT HUMIDITY SENSOR LOCATION MUST BE RELOCATED. CONTACT THE ENERGY TEAM MEMBER OR YOUR EMS REPRESENTATIVE FOR LOCATION.
- ALL NEW AND EXISTING WALK IN COOLER AND FREEZER LIGHTS ARE TO LOAD 1. INSURE THAT FREEZER LIGHTS AND HEATER ARE NOT ON THE SAME CIRCUIT. DELI WALK-INS CAN BE LOAD 1 OR 4. EC TO FURNISH CONTACTOR(S) IF NEEDED.
- IF THE VESTIBULE HAS BEEN RE-WORKED IN SUCH A MANNER THAT THE INSIDE LIGHTS HAVE NOW BECOME THE OUTSIDE CANOPY LIGHTS, THESE LIGHTS WILL NEED TO BE RELOCATED TO LOAD THREE. IF OUTSIDE LIGHTS HAVE NOW BECOME INSIDE LIGHTS THESE WILL NEED TO BE ON LOAD 1.
- IF A SEAFOOD STEAMER HOOD IS INSTALLED AN INTERLOCK CONTROL BOX WILL SERVE AS A WAY OF RUNNING THE HOOD DURING THE STEAMING PROCESS. POWER FOR THE STEAMER AND CONTROL POWER FOR THE HOOD EXHAUST FAN IS ROUTED THROUGH THIS CONTROL BOX. THE CONTROL POWER FOR THE EXHAUST WILL BE ROUTED THROUGH A LOAD 1 CONTACTOR PRIOR TO FEEDING THIS CONTROL BOX. SEE THE ATTACHMENT FOR DETAIL. THE CONTROL BOX WILL BE SUPPLIED BY SESCO TO THE MECHANICAL CONTRACTOR AND IS TO BE WIRED BY THE ELECTRICAL CONTRACTOR.
- ALL NEW GRID/TRACK LIGHTING WITH LIGHTING INSTALLED ABOVE (E.G. 2x4 FIXTURES OR HIGH-BAYS) WILL BE REQUIRED TO BE TWO CIRCUITED WITH BOTH CIRCUITS ON EMS LOAD 9. EXISTING TRACK LIGHTING THAT DOES NOT HAVE LOAD 1 LIGHTING INSTALLED ABOVE WILL BE REQUIRED TO BE TWO CIRCUITED WITH BOTH CIRCUITS ON EMS LOAD 1. ADDITION CONTACTOR(S) MAY BE REQUIRED AND SUPPLIED BY EC.
- ALL ACCENT LIGHTING (WALL WASH, PERIMETER DOWNLIGHTING, DECOR DOWNLIGHTING OR CASE UP-LIGHTS) WILL BE ON LOAD 14. IN AN OLDER STORE THERE MAY NOT BE A LOAD 14 IN WHICH CASE THE EC WILL WIRE TO LOAD 6. COORDINATE WITH SESCO.
- EC RESPONSIBLE FOR PROVIDING COMMUNICATION CABLE FOR ALL REFRIGERATION CONTROLLERS AND THE HVAC CONTROLLER. THIS WILL BE IN THE FORM OF CAT5 CABLES FOR EACH CONTROLLER WITH STORES THAT HAVE E-2 CONTROLLERS OR 4 WIRE SHIELDED CABLE WITH STORES THAT HAVE EARLIER VERSIONS OF CPC CONTROLLERS. COORDINATE WITH THE SESCO REPRESENTATIVE FOR THIS STORE. YOU CAN CONTACT SESCO AT 336-996-2220.
- IF DE-STRAT FANS ARE USED THEY ARE TO BE WIRED THROUGH LOAD 1 CONTACTORS. EC TO FURNISH CONTACTOR(S) IF NEEDED.
- ANY ADDITIONAL BACK ROOM LIGHTING (OFFICES, RESTROOMS, MACHINE ROOMS ETC.) SHALL BE BROKEN THROUGH LOAD 1 CONTACTORS. EC TO FURNISH CONTACTOR(S) IF NEEDED.
- ALL NEW AND/OR REWORKED EBU LIGHTING AND NIGHT LIGHTING SHALL BE ON A SWITCH FREE CIRCUIT. IF THE EXISTING WIRING IS ON EMS IT WILL NEED TO BE MOVED TO EITHER THE EBU CIRCUIT OR NIGHT LIGHT CIRCUIT.
- FOR ANY STORE RECEIVING A FIRE ALARM UPGRADE. EC SHALL PROVIDE CONDUIT AND TWO 14 AWG WIRE FOR FIRE ALARM CONTACT INTERFACE RELAY WITH ECP. THE TWO 14 AWG SHALL BE ABLE TO REACH ENTIRE ECP AND LABELED "FIRE ALARM". CONTACT SHOULD BE WITHIN FOUR FEET OF ECP WHENEVER POSSIBLE. TERMINATION BY OTHERS.
- ELECTRICAL CONTRACTOR IS RESPONSIBLE FOR CONDUIT REQUIRED BY MECHANICAL CONTRACTOR. BX OR FREE AIR CABLE IS NOT ALLOWED. SENSOR AND CONTROL WIRING CANNOT BE IN SAME CONDUIT. NEEDS TO BE COMPLETED IN A TIMELY MANNER. COORDINATE REQUIREMENTS WITH MC.
- ELECTRICAL CONTRACTOR NEEDS TO INSTALL AND WIRE CT'S FOR THE COOKING EQUIPMENT UNDER THE KITCHEN HOOD. THE CONTROL WIRING FOR THE CT'S WILL BE TAKEN FROM THE HOOD CONTROL PANEL TERMINALS L4 AND L4A (2 #14) AND WIRED IN PARALLEL SO THAT THE HOOD FANS RUN WITH THE EQUIPMENT. CONTACT SESCO PARTS FOR THE NUMBER OF CT'S REQUIRED KEEPING IN MIND THAT ONE CT CAN BE USED ON MORE THAN ONE PIECE OF EQUIPMENT DEPENDING ON WIRE SIZE. CONTACT SESCO COMMISSIONING WITH ANY QUESTIONS.
- IF EC IS REUSING EXISTING CIRCUITS FOR EITHER CONTROL OR POWER FOR THE HOOD FAN(S) HE SHALL ENSURE THAT NEITHER IS CONNECTED TO LOAD 4.
- IN ALL HIGH SPEND STORES THE EC IS TO PHYSICALLY REMOVE THE LITE MISER AND HAVE IT READY TO BE SHIPPED BACK ON THE SALVAGE TRUCK.
- ALL NEW 2X4 LAY IN FIXTURES AT THE DELI SALES AREA NEED TO BE ADDED TO THE LOAD 1 ENERGY MANAGEMENT CONTROL. EC TO FURNISH CONTACTOR IF NEEDED.

MECHANICAL:

- ALL CONTROL WIRING PROVIDED BY THE MECHANICAL CONTRACTOR IS TO BE 14 GAUGE STRANDED. BX CABLE IS NOT ALLOWED. ALL SHIELDED CABLE IS TO BE 22 GAUGE OR LARGER. ALL WIRING SHALL BE IN CONDUIT PROVIDED BY ELECTRICIAN. SENSOR CABLE CANNOT BE IN THE SAME CONDUIT WITH CONTROLS. TERMINATIONS FOR THE MECHANICAL CONTROLS BY MECHANICAL CONTRACTOR.
- IF PRINTS CALL FOR RE-WIRING OF EXISTING FANS IN MOTOR ROOM THE MC IS RESPONSIBLE FOR PROVIDING MOTOR STARTER FOR THREE PHASE FANS OR CONTACTORS FOR SINGLE PHASE FANS IF NO STARTER OR CONTACTOR IS EXISTING. NEW MACHINE ROOM FANS THAT REQUIRE A STARTER OR CONTACTOR SHALL BE PROVIDED BY MC IF NOT ALREADY PROVIDED BY SESCO.
- FOR STORES THAT ARE RECEIVING FIRE ALARM UPGRADE THE MC WILL BE RESPONSIBLE FOR REMOVING ALL OLD SMOKE DETECTORS. ONCE SYSTEM HAS BEEN SWITCHED OVER TO FIRE ALARM CONTACT, SESCO WILL NOTIFY GC IN WRITING. MC WILL THEN REMOVE OLD DETECTORS. WIRING FROM DETECTORS IS TO BE REMOVED TO ASSOCIATED JUNCTION BOXES AND CAPPED OFF WITH WIRE NUTS. WIRING FROM ECP TERMINALS IS TO BE REMOVED TO TROUGH AND CAPPED OFF WITH WIRE NUTS.
- IF THE PRODUCE PREP THERMOSTAT IS BEING REPLACED WITH A TEMPERATURE SENSOR THAT IS WIRED BACK TO THE ECP, THE MC WILL DAISY CHAIN THE SENSOR CABLE FROM THE ECP OVER TO THE APPROPRIATE REFRIGERATION RACK. TERMINATION BY OTHERS.

FIRE ALARM NOTE:

- FOR STORES THAT ARE RECEIVING FIRE ALARM UPGRADE, THE FIRE ALARM CONTRACTOR IS TO INSTALL, POWER, AND MONITOR ALL NEW SMOKE DETECTORS FOR ALL AHU'S AND RTU'S. FA CONTRACTOR IS TO PROVIDE A RELAY ENCLOSED WITHIN FOUR FEET OF THE ECP AND CONTROLLED BY FIRE PANEL. CONTACT WILL BE WIRED BY SESCO. EXISTING (OLD) SMOKE DETECTORS WILL REMAIN IN PLACE UNTIL SESCO SWITCHES SYSTEM OVER TO FIRE ALARM PANEL. REFER TO M1.01.

Revision 10 May 2018

EMS NOTE FOR ENERGY LOAD

PATTERN IN TABLE A IS TYPICAL OF MOST FOOD LION STORES BUILT PRIOR TO 2005. TABLE B IS REPRESENTATIVE OF FOOD LION STORES BUILT AFTER 2005.

ELECTRICAL CONTRACTOR TO FIELD VERIFY EXACT EMS LOAD CONFIGURATION WITH SESCO REPRESENTATIVE PRIOR TO CONNECTION OF ELECTRICAL LOAD TO EMS PANEL.



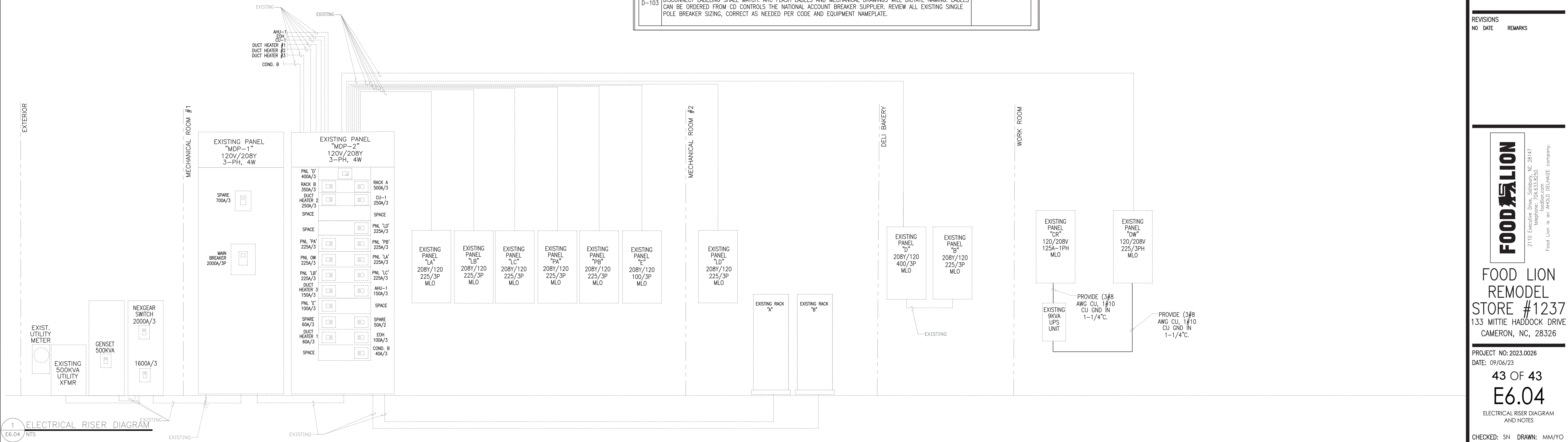
FOOD LION
REMODEL
STORE #1237
133 MITTIE HADDOCK DRIVE
CAMERON, NC, 28326

PROJECT NO: 2023.0026
DATE: 09/06/23

42 OF 43
E6.03
EMS LOAD SCHEDULE

- GENERAL ELECTRICAL NOTES:**
- ELECTRICAL WORK SHALL BE IN ACCORDANCE WITH THE MOST RECENT ADOPTED NFPA, NATIONAL ELECTRIC CODE, AND LOCAL CODES.
 - ALL MATERIALS, DEVICES, APPLIANCES, AND EQUIPMENT SHALL BE NEW AND LABEL LISTED BY AN APPROVED THIRD PARTY TESTING AGENCY APPROVED BY THIS STATE.
 - WIRING SHALL BE COPPER SINGLE CONDUCTORS. MINIMUM WIRE SIZE IS #12 AWG. CONDUCTORS #8 AND LARGER SHALL BE TYPE THHN OR THWN STRANDED. #12 THRU #10 SHALL BE THWN SOLID. WIRE TO LIGHT FIXTURES SHALL BE AS REQUIRED BY U.L. LABEL. COLOR CODE CONDUCTORS.
 - CONDUITS SHALL BE STEEL INDOORS AND SCHEDULE 40 PVC OUTDOORS OR BELOW FLOOR SLAB. EMT SHALL BE USED FOR SIZES 1/2" THROUGH 3 1/2".
 - CONNECT ALL HVAC, PLUMBING AND OTHER CONTRACTOR OR OWNER FURNISHED EQUIPMENT. VERIFY ALL LOCATIONS OF HVAC, PLUMBING AND OTHER CONTRACTOR OR OWNER FURNISHED EQUIPMENT PRIOR TO ROUGH-IN. CHECK EQUIPMENT AND COORDINATE WITH HVAC, PLUMBING, AND ALL OTHER EQUIPMENT CONTRACTORS FOR DISCONNECT SWITCH, CONDUIT, WIRING REQUIREMENTS, FUSE AND BREAKER SIZES, VOLTAGE REQUIREMENTS AND LOCATIONS. PROVIDE A TIMER FOR ALL PLUMBING RECIRCULATION PUMPS. MAKE ALL NECESSARY REVISIONS TO THESE ITEMS AT NO ADDITIONAL COST TO THE OWNER.
 - ELECTRICAL CONTRACTOR SHALL PROVIDE LOAD DATA SHEET, TO THE POWER COMPANY, AT THE BEGINNING OF THE PROJECT, AS PER LOAD BREAKDOWN SHOWN ON PLANS.
 - ELECTRICAL CONTRACTOR SHALL GUARANTEE ALL WORK AND MATERIALS FOR ONE YEAR EFFECTIVE THE DAY THE PROJECT IS ACCEPTED BY THE OWNER. EXCEPTION: INCANDESCENT LIGHT BULBS SHALL BE GUARANTEED FOR 90 DAYS.
 - THE ELECTRICAL CONTRACTOR SHALL VISIT THE JOBSITE PRIOR TO SUBMISSION OF BID TO FAMILIARIZE HIMSELF WITH THE CONDITIONS UNDER WHICH THE WORK WILL BE PERFORMED AND THE EXTENT OF WORK REQUIRED. INCLUDE ALL COST IN BID PRICE.
 - SUPPORT ALL CONDUITS WITH STRAPS AND CLAMPS. RUN ALL CONDUIT PARALLEL OR PERPENDICULAR TO BUILDINGS.
 - ELECTRICAL DEMOLITION, RELOCATION OF EXISTING EQUIPMENT, CUTTING AND PATCHING REQUIRED FOR THE INSTALLATION OF THIS NEW WORK IS THE RESPONSIBILITY OF THE ELECTRICAL CONTRACTOR. THE EXTENT OF THE WORK REQUIRED SHALL BE DETERMINED DURING THE PRE-BID JOBSITE VISIT.
 - ALL STRAPPING OF CONDUIT SHALL COMPLY WITH ARTICLE 1621 OF THE INTERNATIONAL BUILDING CODE.
 - FOR ALL BREAKERS AND DEVICES:
 - SERIES RATING NOT ALLOWED.
 - THE MANUFACTURER OF THE MAIN SWITCHGEAR, AND/OR PANEL BOARDS SHALL PROVIDE A COORDINATION STUDY AND A SHORT CIRCUIT STUDY, AND ARC FLASH ANALYSIS TO DETERMINE ALL SETTINGS OF ELECTRONIC BREAKERS, GFI SETTINGS, AND ADJUSTABLE TRIP SETTINGS ON ALL NON-ELECTRONIC BREAKERS. THESE SETTINGS SHALL BE INCLUDED IN THE SHOP DRAWINGS FOR THE ENGINEER'S REVIEW. SHOP DRAWINGS WILL BE REJECTED IF SETTINGS ARE NOT INCLUDED. THE MANUFACTURER OF THE MAIN SWITCHGEAR, AND/OR PANELBOARDS SHALL BE RESPONSIBLE FOR OBTAINING ALL INFORMATION FROM THE GENERATOR MANUFACTURER, HVAC MANUFACTURER, FIELD VERIFYING ANY EXISTING BREAKERS, OR OBTAINING ANY PIECE OF BREAKER DATA WHICH WILL BE NEEDED FOR THE COORDINATION STUDY.
 - THE ELECTRICAL CONTRACTOR TO PROVIDE ARC FLASH LABELS ON ALL PANELS AS REQUIRED PER N.E.C. LABELING SHALL INCLUDE:
 - THE PANEL NAME.
 - THE CLASSIFICATION.
 - THE SHOCK HAZARD LEVEL WHEN COVER IS REMOVED AND LIMITED.
 - THE PROTECTION REQUIRED.
 - THE RESTRICTED AND PROHIBITED APPROACH BOUNDARIES.
 - THE MANUFACTURER OF THE MAIN SWITCHGEAR, AND/OR PANELBOARDS SHALL SELECT BREAKERS THAT ARE CAPABLE OF BEING ADJUSTED TO ALLOW FOR A MAXIMUM ARC FLASH RATING OF 3.
 - PROVIDE MIN. 24" HORIZONTAL SEPARATION BETWEEN BOXES INSTALLED IN OPPOSITE SIDES OF A SAME WALL AS INDICATED IN N.E.C. 300.21
 - ALL DISCONNECTS SHALL BE HEAVY DUTY RATED, WITH ARC GUARD, AND SHALL HAVE A MECHANICAL INTERLOCK TO PREVENT THE DOOR FROM BEING OPENED, WITHOUT DEFEATING THE INTERLOCK. THE MECHANICAL INTERLOCK SHALL ALSO PREVENT ACTIVATING THE SWITCH WHEN THE DOOR IS OPEN. THE MECHANICAL INTERLOCK SHALL BE DEFEATABLE BY A SPECIAL TOOL, AND SHALL BE U.L. LISTED AS PART OF THE DISCONNECT.
 - SERVICE GROUND IMPEDANCE SHALL BE MEASURED, AND SHALL BE 5 OHMS OR LESS. IF UPON MEASUREMENT, SERVICE GROUND READING EXCEEDS 5 OHMS, THEN ADDITIONAL GROUND RODS SHALL BE DRIVEN TO REDUCE READING TO 5 OHMS OR LESS. NOTIFY ENGINEER OF FINAL SERVICE GROUND MEASUREMENT.
 - BREAKERS THAT FEED CONTACTORS AND TIME CLOCKS TO BE CURRENT LIMITING TO ALLOW A MAXIMUM LET THRU OF 22K AIC WITH 80K AIC AVAILABLE.
 - ALL TERMINATIONS ON PANELS SHALL HAVE DUAL RATED 60°C/75°C LUGS.
 - PROVIDE INTERNAL OR EXTERNAL DISCONNECTING MEANS FOR EACH FLUORESCENT LUMINAIRE THAT UTILIZES DOUBLE-ENDED LAMPS AND CONTAIN BALLAST(S) THAT CAN BE SERVICED IN PLACE TO COMPLY WITH N.E.C. 410.130(G).
 - ELECTRICAL CONTRACTOR TO PROVIDE SEPARATE NEUTRAL FOR EACH BRANCH CIRCUIT TO MEET NEC 210.4. NO SHARED NEUTRALS OR MULTIPOLE BRANCH BREAKERS.
 - SERVICE CONDUCTORS SHALL CONFORM TO N.E.C. 230.6
 - ALL METAL HALIDE BALLAST SHALL BE PULSE START TYPE.
 - ALL TELECOMMUNICATIONS CONDUIT, SLEEVES, OR PATHWAYS ARE TO BE LONG SWEEPING TYPE. ALL CONDUITS (BENDING RADIUS) ARE TO BE INSTALLED PER MANUFACTURER'S AND TELECOM CONTRACTOR'S RECOMMENDATIONS.
 - THE ELECTRICAL CONTRACTOR SHALL FIELD SURVEY THE INTERIORS OF ALL PANELS AND SWITCHGEAR IN WHICH BREAKERS ARE BEING INSTALLED, AND VERIFY THAT ALL INTERIOR BUSSING AND FRAMES ARE AVAILABLE PRIOR TO SUBMISSION OF BID. ANY ADDITIONAL BUSSING REQUIRED WITHIN PANELS AND SWITCHGEAR SHALL BE INCLUDED IN BID PRICE.
 - ALL EGRESS LIGHTING SHALL COMPLY WITH N.C. BUILDING CODE SECTION 1006.2. THE ELECTRICAL CONTRACTOR SHALL VERIFY THIS IN THE FIELD AND ADD ADDITIONAL EMERGENCY LIGHTS IF REQUIRED.
 - NO OPEN FLAME DEVICES SHALL BE UTILIZED TO BEND PVC CONDUIT. ALL HEATING DEVICES MUST BE ENCLOSED FLAME (HEAT GUN OR HEAT ROLLER, NO TORCHES). ALL HEATING METHODS MUST BE APPROVED BY ELECTRICAL ENGINEER PRIOR TO INSTALLATION. ANY CONDUIT THAT HAS BEEN HEATED TO WHERE PVC IS DAMAGED OR DISCOLORED SHALL BE REMOVED AND REPLACED AT NO ADDITIONAL COST.
 - ELECTRICAL CONTRACTOR TO VERIFY REFRIGERATION CIRCUITS ARE NOT OVERLOADED, LARGEST SIZE OF BREAKERS TO BE 30A FOR A/S AND LIGHTS, 15A ON CASE FANS (TYP.).
 - ENERGY MANAGEMENT SYSTEM LIMITS COINCIDENTAL DEMAND PER MOP TO LESS THAN 800 AMPS, ALLOWING FOR MORE THAN 20% SPARE CAPACITY. NO FUTURE EXPANSIONS ARE PLANNED. PANEL SIZE SHALL NOT BE INCREASED WITHOUT PRIOR APPROVAL OF OWNER.
 - FOR PANEL REQUIREMENTS VERIFY WITH REFRIGERATION SUMMARY. REFRIGERATION SUMMARY SHALL GOVERN DESIGN.
 - ELECTRICAL CONTRACTOR TO REMOVE ANY MULTIPLE LANDED CONDUCTORS ON A SINGLE BREAKER AND CONNECT EACH CONDUCTOR TO A SINGLE BREAKER.
 - ALL CIRCUITS FEEDING CASES SHALL BE LABELED WITH CASE REFRIGERATION CIRCUIT NUMBER ALONG WITH CASE TYPE. ELECTRICAL CONTRACTOR SHALL FIELD VERIFY ALL CIRCUITS.
 - ELECTRICAL CONTRACTOR VERIFY ALL CIRCUITS AND REMOVE ANY UNUSED CONDUCTORS IN ALL PANELS (FIELD VERIFY EACH BREAKER)

- ELECTRICAL CONTRACTOR SHALL ENSURE THE FOLLOWING ITEMS ARE COMPLETE PRIOR TO CRESCENT COMMISSIONING VISIT:
- REPLACE ALL MISSING, BROKEN, OR OTHERWISE DEFICIENT JUNCTION BOX/DEVICE COVERS FOR PROJECT CLOSEOUT. NON WEATHER PROOF DEVICE COVERS ARE TO BE STAINLESS STEEL. WEATHERPROOF DEVICE COVERS ARE TO BE INSTALLED IN PREP AREAS AND OUTSIDE, ALL WP COVERS ARE TO BE AL (ALUMINIUM). SEE CRESCENT REPORT FOR FURTHER INFO.
 - PROPERLY SEAL ALL CONDUITS ENTERING WALK-IN COOLERS AND FREEZERS TO PREVENT MOISTURE. SEE CRESCENT REPORT FOR FURTHER INFO.
 - PROVIDE AND INSTALL FOUR (4) 1" EMPTY CONDUITS WITH PULL STRINGS FROM NEW PANEL "OW" TO ABOVE ACCESSIBLE CEILING SPACE FOR FUTURE USE.
 - REPLACE ALL MISSING LABELS AND TAGS ON PANELS, SAFETY DISCONNECTS, ELECTRICAL DISTRIBUTION EQUIPMENT MAIN BREAKERS. ALL CIRCUITS SHOULD BE PROPERLY LABELED WITH PHENOLIC TAGS, BLACK ON WHITE, 1.5" TALL. COORDINATE PHENOLIC TAG LABELS WITH ARCH FLASH REPORT PROVIDED BY CRESCENT.
 - VACUUM ALL BRANCH CIRCUIT PANELBOARDS AND ALL ELECTRICAL ENCLOSURE COVERS SHALL BE INSTALLED AND ADEQUATELY SECURE TO OBTAIN PROJECT CLOSEOUT. SEE CRESCENT REPORT FOR FURTHER INFO.
 - PLACE REFRIGERATION CONTROL CABLE IN CONDUIT.
 - TIE UP ALL LOW VOLTAGE AND MC CABLE. NO NEW MC CABLE IS TO BE INSTALLED AS A HOME RUN OR BE VERTICALLY EXPOSED ON A WALL/ CONSTRUCTED ASSEMBLY.
 - VERIFY ALL EMERGENCY LIGHTING BE ON A SCHEDULED CIRCUIT AND ON THE LINE SIDE OF ANY ENERGY MANAGEMENT CONTROL.
 - PROVIDE AND INSTALL CORRECTED TYPE-WRITTEN DATED PANEL SCHEDULES IN ELECTRICAL PANELS (NEW AND EXISTING) AT THE END OF THE PROJECT. HAND WRITTEN SCHEDULES SHALL BE MAINTAINED THROUGHOUT THE PROJECT.
 - ALL NEW DISCONNECTS SHALL BE GENERAL ELECTRIC, GENERAL DUTY AT MINIMUM ER RATED AS REQUIRED, AND NON FUSED UNLESS SPECIFIED OTHERWISE BY EQUIPMENT NAMEPLATE.
 - TRACE ALL CIRCUITS AND PROPERLY IDENTIFY THOSE CIRCUITS ON THE PANEL SCHEDULES. WHERE THE FOOD LION CONSTRUCTION SUPERVISOR HAS DIRECTED THE ELECTRICAL CONTRACTOR TO LEAVE A SPARE BREAKER WIRED TO A CERTAIN END LOCATION, THE BREAKER SHALL BE LABELED "SPARE TO JUNCTION BOX AT END LOCATION." ALL SPARE UNUSED BREAKERS SHALL HAVE UNUSED WIRE REMOVED AND BREAKER LABELED AS SPARE.
 - CORRECT TERMINATIONS IN SWEAT MISER PANEL. SEE CRESCENT REPORT FOR FURTHER INFO.



ELECTRICAL DEFICIENCIES TO BE REPAIRED		
THE FOLLOWING ITEMS HAVE BEEN NOTED AS FOOD LION REQUIRED REPAIRS AS INDICATED ON THE CRESCENT CONSTRUCTION SERVICES, LLC ELECTRICAL SURVEY REPORT AND ALL COST INVOLVED WITH MAKING THE REPAIRS SHALL BE INCLUDED IN THE ELECTRICAL CONTRACTOR'S SCOPE OF WORK FOR THIS PROJECT. ELECTRICAL CONTRACTOR SHALL REFER TO THE CRESCENT CONSTRUCTION SERVICES, LLC ELECTRICAL SURVEY REPORT FOR ADDITIONAL INFORMATION AND REVIEW NOTES IN THIS LIST. THE ELECTRICAL CONTRACTOR SHALL LABEL ALL PANELS, COMPRESSOR RACKS AND DISCONNECTS WITH PROPER PHENOLIC TAGS.		
D-60	PANEL SCHEDULE LABELING/ENTIRE STORE/ALL SCHEDULES ARE TO BE 100% ACCURATE, ON CARD STOCK, TYPED, DATED, AND INSTALLED IN A CLEAR POCKET. EC SHALL GO THROUGH ALL EXISTING ELECTRICAL PANELS TO TRACE AND VERIFY ALL CIRCUITS FOR ACCURACY. RECEPTABLES AND LIGHTING ARE TO BE LABELED BY AREA/LOCATION. SALES FLOOR LIGHTING CIRCUITS ARE TO INCLUDE ROW NUMBER. CASE CIRCUITS ARE TO REFERENCE REFRIGERATION CIRCUITS. SPARE IS A BREAKER WITH NO WIRE. BLANK IS AN EMPTY SLOT. ALL WIRED AND ACTIVE BREAKERS SHALL BE PROPERLY SCHEDULED. NOTE: WIRED BREAKERS WITH NO ACTIVE LOAD / DEVICE SHALL BE LABELED AS SPARE, ENDING LOCATION. DO NOT REMOVE EXISTING PANEL SCHEDULES. ELECTRONIC COPIES OF ALL PANEL SCHEDULES ARE REQUIRED AT CLOSEOUT.	SEE SHEET E6.01
D-61	REFRIGERATION CIRCUIT SIZING/MECHANICAL ROOM/RACK A: 500 AMP BREAKER, (2) 4/0 AWG CU. RACK B: 350 AMP BREAKER, (2) 3/0 AWG CU. COND A: 50 AMP BREAKER, #6 AWG CU. FED FROM BRANCH PANEL LA (#33-35-37). COND B: 40 AMP BREAKER, #6 AWG CU. FED FROM MDP-2. A/C COND: 250 AMP BREAKER, 250 KCMIL AWG CU. ENGINEER TO SIZE MAIN BREAKERS / CONDUCTORS PER MOPP / MCA REQUIREMENTS IN REVISED REFRIGERATION SUMMARY. SEE DISCONNECT INVENTORY FOR RELATIVE DATA.	SEE SHEET E6.04
D-66	NEXGEAR/OUTDOOR/NEEDS TO BE LABELED WITH PHENOLIC TAG AS 'MAIN SERVICE DISCONNECT ON OUTSIDE OF ENCLOSURE ON CORRESPONDING SECTION OF GEAR.	SEE SHEET E6.04
D-71	EMERGENCY LIGHTING, WIRING ISSUE/FED FROM PANEL LB (#12, #40, #42) & PANEL LC (#32) LIGHTS AT BOTH RESTROOMS WERE CONFIRMED TO NOT ILLUMINATE WHEN ABOVE CIRCUITS WERE DE-ENERGIZED. LIGHTS AT ALL SALES FLOOR, AISLES AND PERIMETER WALLS WERE CONFIRMED TO NOT ILLUMINATE WHEN ABOVE CIRCUITS WERE DE-ENERGIZED. LIGHTS AT FRONT END WERE CONFIRMED TO NOT ILLUMINATE WHEN ABOVE CIRCUITS WERE DE-ENERGIZED. LIGHTS AT OSD AND BATHROOM CORRIDOR WERE CONFIRMED TO NOT ILLUMINATE WHEN ABOVE CIRCUITS WERE DE-ENERGIZED. REPAIR, ALL EMERGENCY LIGHTING SHALL BE FED FROM A BRANCH CIRCUIT PANELBOARD, ON THE LINE SIDE OF ANY ENERGY MANAGEMENT CONTROLS, AND SHALL BE LABELED / SCHEDULED AS SUCH.	SEE SHEET E1.01
D-75	UPDATE EGRESS LIGHTING/UPDATE FIXTURES ON THE FOLLOWING DOORS: ENTRANCE RIGHT, ENTRANCE LEFT, SIDE LEFT, DSD, SIDE RIGHT. WORK WITH OWNER ON FIXTURE SELECTION.	SEE SHEET E1.01
D-77	GRINDER - REPAIR/MEAT PREP/INSTALL STRAIN RELIEF ON CORD DROP.	SEE SHEET E1.02
D-82	EXISTING NEUTRALS, CASE LIGHTING AND FANS/ENTIRE STORE/LIGHTS AND FANS ARE TO HAVE DEDICATED NEUTRALS. THIS ONLY APPLIES TO NEW AND RELOCATED CASE WORK.	SEE SHEET E1.03
D-85	PANEL OR DATA/OFFICE/SCHEDULE INCORRECT/REGISTERS FED OVERHEAD VIA POWER POLES. (2) ISOLATED GROUND BARS IN PLACE. DEDICATED CONDUCTOR FROM UPS TERMINATED ONTO ISOLATED GROUND BAR.	SEE SHEET E6.01
D-86	PANEL OW DATA/OFFICE/SCHEDULE INCORRECT.	SEE SHEET E6.01
D-87	PANEL B DATA/DELI PREP/SCHEDULE INCORRECT	SEE SHEET E4.01
D-88	PANEL D DATA/DELI PREP/SCHEDULE INCORRECT	SEE SHEET E4.01
D-89	PANEL E DATA/MECHANICAL ROOM/SCHEDULE INCORRECT	SEE SHEET E6.01
D-90	PANEL PB DATA/MECHANICAL ROOM/SCHEDULE INCORRECT	SEE SHEET E6.01
D-91	PANEL PA DATA/MECHANICAL ROOM/SCHEDULE INCORRECT	SEE SHEET E6.01
D-92	PANEL LD DATA/MECHANICAL ROOM/SCHEDULE INCORRECT.	SEE SHEET E6.01
D-93	PANEL LC DATA/MECHANICAL ROOM/SCHEDULE INCORRECT.	SEE SHEET E6.01
D-94	PANEL LB DATA/MECHANICAL ROOM/SCHEDULE INCORRECT.	SEE SHEET E6.01
D-95	PANEL LA DATA/MECHANICAL ROOM/SCHEDULE INCORRECT.	SEE SHEET E6.01
D-96	CURRENT PHENOLIC LABELING NEEDED/MDP-2, BREAKER FOR COND A (LABELED SPARE), MDP-2, BREAKER FOR COND B (LABELED LOW TEMP COND), MDP-2, BREAKER FOR PANEL E (LABELED PANEL EM), COND B ROOFTOP DISCONNECT (LABELED COND A).	SEE SHEET E6.04
D-98	MDP-2 DEFICIENCY: IMPROPER EQUIPMENT/MECHANICAL ROOM/BREAKER FOR UPS; (2) SINGLE POLE 50A BREAKERS NOT HANDLE TIED, WITH TWO DIFFERENT WIRE SIZES. UPS FED BY (1) #4 AWG AND (1) #8 AWG. FEED UPS FROM OW WITH NEW 2 POLE BREAKER THAT MEETS EQUIPMENT NAMEPLATE.	SEE SHEET E6.01 AND E4.01
D-99	OVERLOADS/PANEL PB (#31), 16.9A ON 20A BREAKER, 10 AWG, SCHEDULED AS B16 A/S. REPLACE 20 AMP BREAKER WITH 30 AMP BREAKER. PANEL B (#33), 13.3A ON 15A BREAKER, 12 AWG, SCHEDULED AS RECEPTABLES SALES FLOOR. REPLACE WITH 20 AMP BREAKER.	SEE SHEET E6.01 AND E4.01
D-100	PANEL D DEFICIENCY/GROUND WIRE TERMINATED ON NEUTRAL BAR. INSTALL GROUND BAR IN PANEL AND RELOCATE GROUNDING CONDUCTOR TO NEW GROUND BAR.	SEE SHEET E4.01
D-101	PANEL CR DEFICIENCY/UNABLE TO REMOVE DEAD FRONT. TOP RIGHT SCREW WILL NOT BREAK FREE. REPLACE PANEL SCREWS AND DEAD FRONT BRACKETS AS NEEDED.	SEE SHEET E6.04
D-102	PANEL CR DEFICIENCY (2)/MISMATCHED FEEDERS FROM UPS TO CR. FED WITH (1) #4 AWG AND (1) #8 AWG REWORK FEEDERS TO MATCH AND MEET REQUIREMENTS FROM EQUIPMENT NAMEPLATE.	SEE SHEET E6.04
D-103	GENERAL ELECTRICAL NOTES, ADD TO PRINTS/ALL DISTRIBUTION SECTIONS, BRANCH PANELS, MAIN BREAKERS AND DISCONNECTS SHALL HAVE PHENOLIC LABELS, (1 & 1/2" BLACK ON WHITE), MAIN BREAKER AND SAFETY DISCONNECT LABELING SHALL MATCH. ARC FLASH LABELS AND MECHANICAL DRAWINGS WILL DICTATE NAMING. LABELS CAN BE ORDERED FROM CD CONTROLS THE NATIONAL ACCOUNT BREAKER SUPPLIER. REVIEW ALL EXISTING SINGLE POLE BREAKER SIZING, CORRECT AS NEEDED PER CODE AND EQUIPMENT NAMEPLATE.	SEE SHEET E6.04

COMPARISON LOAD SUMMARY	
SERVICE : 120/208V-3PH-4W	
DESCRIPTION	CALCULATED LOAD
ADDED LIGHTING	1.2 KVA
KITCHEN EQUIPMENT	7.0 KVA
ADDED REFRIGERATION	9.9 KVA
ADDED RECEPTACLE LOADS	13.5 KVA
TOTAL ADDED LOAD	31.6 KVA
EXISTING DEMAND LOAD	286.0 KWD (1/9 PF)(1.25)
REMOVED LIGHTING	397.22 KVA
REMOVED KITCHEN EQUIPMENT	4.0 KVA
REMOVED RECEPTACLE LOADS	14.0 KVA
TOTAL REMOVED LOAD	20.4 KVA
NEW TOTAL CONNECTED LOAD (KVA)	38.4
NEW TOTAL CONNECTED LOAD (AMPS)	390.42 KVA
EXISTING SERVICE SIZE IS 2000 AMPS BASED ON EXISTING MDP	1084 AMPS



NO	DATE	REVISIONS	REMARKS

FOOD LION
2110 Executive Drive, Salisbury, NC 28147
Telephone: 704.633.8250
Food Lion is an ANOLD DELHAIZE company.

**FOOD LION
REMODEL
STORE #1237**
133 MITTIE HADDOCK DRIVE
CAMERON, NC, 28326

PROJECT NO: 2023.0026
DATE: 09/06/23

**43 OF 43
E6.04**
ELECTRICAL RISER DIAGRAM
AND NOTES

CHECKED: SN DRAWN: MM/YO