

**JOB NUMBER: 7976**  
**JOB NAME: BENHAVEN COMMUNITY CENTER**  
**JOB LOCATION: SANFORD, NC 27332**

REVISION: C  
 A - INITIAL SUBMITTAL REVISION (JMD 5/12/2023)  
 B - INSTALLATION DRAWINGS (TM 6/2/2023)  
 C - UPDATED JOB NAME AND LOCATION (JMD 7/26/2023)

**ICON**  
 Shelter Systems Inc  
 DISTINCTIVE STEEL SHELTERS  
 WWW.ICONSHelters.COM  
 COPYRIGHT 2004, ICON SHELTER SYSTEMS, INC.  
 1455 LINCOLN AVE.  
 HOLLAND MI, 49423  
 616.396.0919  
 800.748.0985  
 616.396.0944 FX

**TABLE OF CONTENTS**

- 1.0-1.1 COVER SHEET
- 2.0 ELEVATION
- 3.0 ANCHOR BOLT LAYOUT
- 4.0 FRAME LAYOUT
- 5.0-5.2 FRAME CONNECTIONS
- 6.0 ROOF LAYOUT
- R1.0-R1.3 ROOF DETAILS

**DESIGN LOADS**

CODE: 2015 INTERNATIONAL BUILDING CODE  
 TOTAL DEAD: 6.42 P.S.F.  
 FRAME DEAD: 3.42 P.S.F.  
 ROOF DEAD: 1.20 P.S.F.  
 COLLATERAL DEAD: 1.80 P.S.F.  
 ROOF LIVE LOAD: 20.00 P.S.F.  
 GROUND SNOW LOAD: 20.00 P.S.F.  
 ROOF SNOW LOAD: 20.00 P.S.F.  
 WIND SPEED: 121.00 M.P.H.  
 EXPOSURE: C  
 SEISMIC USE GROUP: I  
 SEISMIC SITE CLASS: D  
 SEISMIC DESIGN CATEGORY: B  
 SEISMIC ANALYSIS: SIMPLIFIED

**NOTES**

**MATERIALS**  
 TUBE STEEL (HSS HOLLOW STRUCTURAL SECTION) (ASTM DESIGNATION) A-500 GRADE B/C  
 WIDE FLANGE SECTIONS A-992  
 STRUCTURAL STEEL PLATE A-36, A-572 GRADE 50  
 ROOF PANELS (STEEL) A-792  
 ANCHOR BOLTS F1554 GRADE 55  
 CONNECTION BOLTS F3125 GRADE A325

ALL WELDING CONFORMS TO THE LATEST EDITION OF AWS D1.1 OR D1.3 AS REQUIRED. ALL WELDING IS PERFORMED BY AWS CERTIFIED WELDERS. THERE IS NO FIELD WELDING REQUIRED, U.N.O.

IF THESE DRAWINGS ARE SEALED, THE SEAL APPLIES ONLY TO THE MATERIALS SUPPLIED BY ICON SHELTER SYSTEMS INC. AND IS NOT INTENDED AS THE SEAL OF THE ENGINEER OF RECORD FOR THE ENTIRE PROJECT.

DUE TO STANDARDIZED FABRICATION PARTS SHOWN MAY BE UPGRADED. REFER TO THE SHIPPING BILL OF MATERIALS FOR POSSIBLE SUBSTITUTIONS.

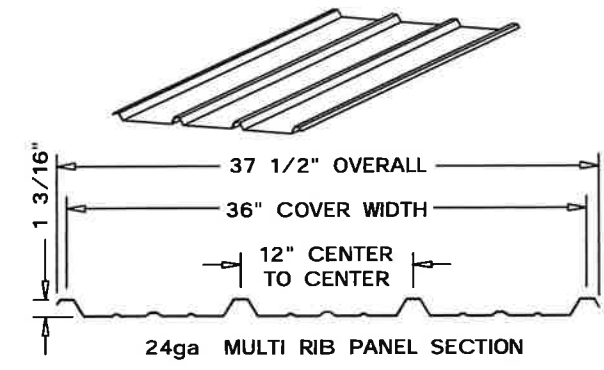
ICON SHELTER SYSTEMS INC. RECOMMENDS THAT THE PRIMARY FRAMING INSTALLER AND THE ROOF INSTALLER HAVE A MINIMUM OF FIVE (5) YEARS OF DOCUMENTED EXPERIENCE INSTALLING THIS TYPE OF PRODUCT.

**HIGH STRENGTH BOLTING**  
 ALL HIGH STRENGTH BOLTS ARE F3125 GRADE A325 BOLTS WITH HEAVY HEX NUTS. THE BOLTS ARE TO BE INSTALLED UTILIZING THE "SPECIFICATION FOR STRUCTURAL JOINTS USING HIGH STRENGTH BOLTS" (8/1/2014) AS PREPARED BY RESEARCH COUNCIL ON STRUCTURAL CONNECTIONS (RCSC) FOR THE AMERICAN INSTITUTE OF STEEL CONSTRUCTION (AISC). THE BOLTS SHALL BE INSTALLED AS SNUG TIGHTENED WHICH IS DEFINED AS THE TIGHTNESS THAT IS ATTAINED WITH A FEW IMPACTS OF AN IMPACT WRENCH OR THE FULL EFFORT OF AN IRONWORKER USING AN ORDINARY SPUD WRENCH TO BRING THE PLIES INTO FIRM CONTACT, WHICH IS THE CONDITION WHEN THE PLANES OF CONTACT BETWEEN TWO PLIES ARE SOLIDLY SEATED AGAINST EACH OTHER, BUT NOT NECESSARILY IN CONTINUOUS CONTACT WITH UTILIZATION OF THE SNUG TIGHTENING METHOD, NO WASHERS ARE REQUIRED.  
 ALL CONNECTIONS ARE BEARING TYPE CONNECTIONS UNLESS NOTED OTHERWISE.

IT IS THE RESPONSIBILITY OF THE INSTALLER TO INSURE PROPER TIGHTNESS.

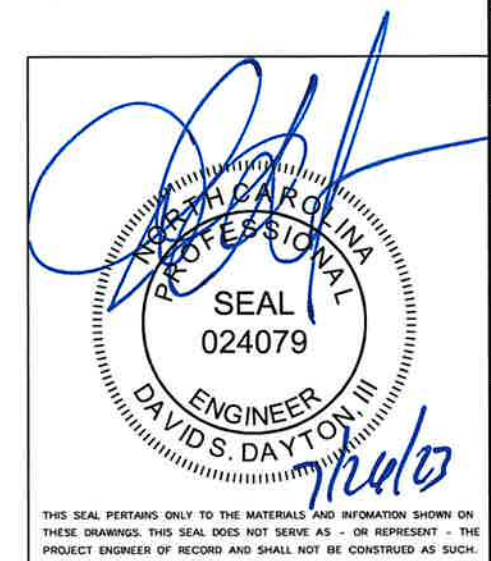
PROPER ERECTION OF THE FRAMING MEMBERS REQUIRES THE MAIN COLUMNS TO BE PLUMB & SQUARE. COLUMNS, RAFTER, AND TIE BEAM CONNECTIONS MUST BE TIGHTENED BEFORE INSTALLING THE PURLINS. PURLINS MUST BE PARALLEL TO THE TIE BEAMS AND EAVE BEAMS.

**ROOF**



**COVER SHEET**

**DRAWN BY:**  
 JMD  
**DATE:**  
 7/26/2023  
**JOB NO.:**  
 7976  
**REVISION:**  
 C  
**BUILDING TYPE:**  
 RH20X30M - P4  
**PROJECT NAME:**  
 BENHAVEN COMMUNITY CENTER  
 SANFORD, NC 27332



**FABRICATOR APPROVALS**  
 CLARK COUNTY STEEL FABRICATOR NUMBER: 707  
 CITY OF LOS ANGELES FABRICATOR NUMBER: FB03254

**SHEET**  
**1.0**

S:\Engineering\Inventor\Jobs\7976\7976 SUBMITTAL.idw



**Shelter Systems Inc**  
 DISTINCTIVE STEEL SHELTERS  
 WWW.ICONSHelters.COM  
 COPYRIGHT 2004, ICON SHELTER  
 SYSTEMS, INC.

1455 LINCOLN AVE.  
 HOLLAND MI, 49423

616.396.0919  
 800.748.0985  
 616.396.0944 FX

**BOM**

**DRAWN BY:**

**JMD**

**DATE:**

**7/26/2023**

**JOB NO.:**

**7976**

**REVISION:**

**C**

**BUILDING TYPE:**

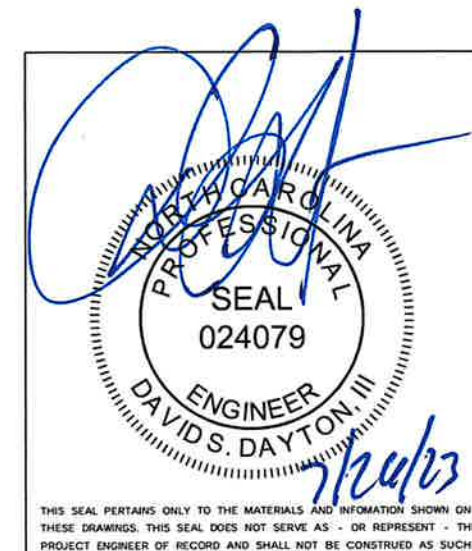
**RH20X30M - P4**

**PROJECT NAME:**

**BENHAVEN  
 COMMUNITY CENTER  
 SANFORD, NC  
 27332**

**SHEET**

**1.1**



THIS SEAL PERTAINS ONLY TO THE MATERIALS AND INFORMATION SHOWN ON THESE DRAWINGS. THIS SEAL DOES NOT SERVE AS - OR REPRESENT - THE PROJECT ENGINEER OF RECORD AND SHALL NOT BE CONSTRUED AS SUCH.

PRINTED ON : 7/26/2023

S:\Engineering\Inventor\Jobs\7976\7976 SUBMITTAL.idw

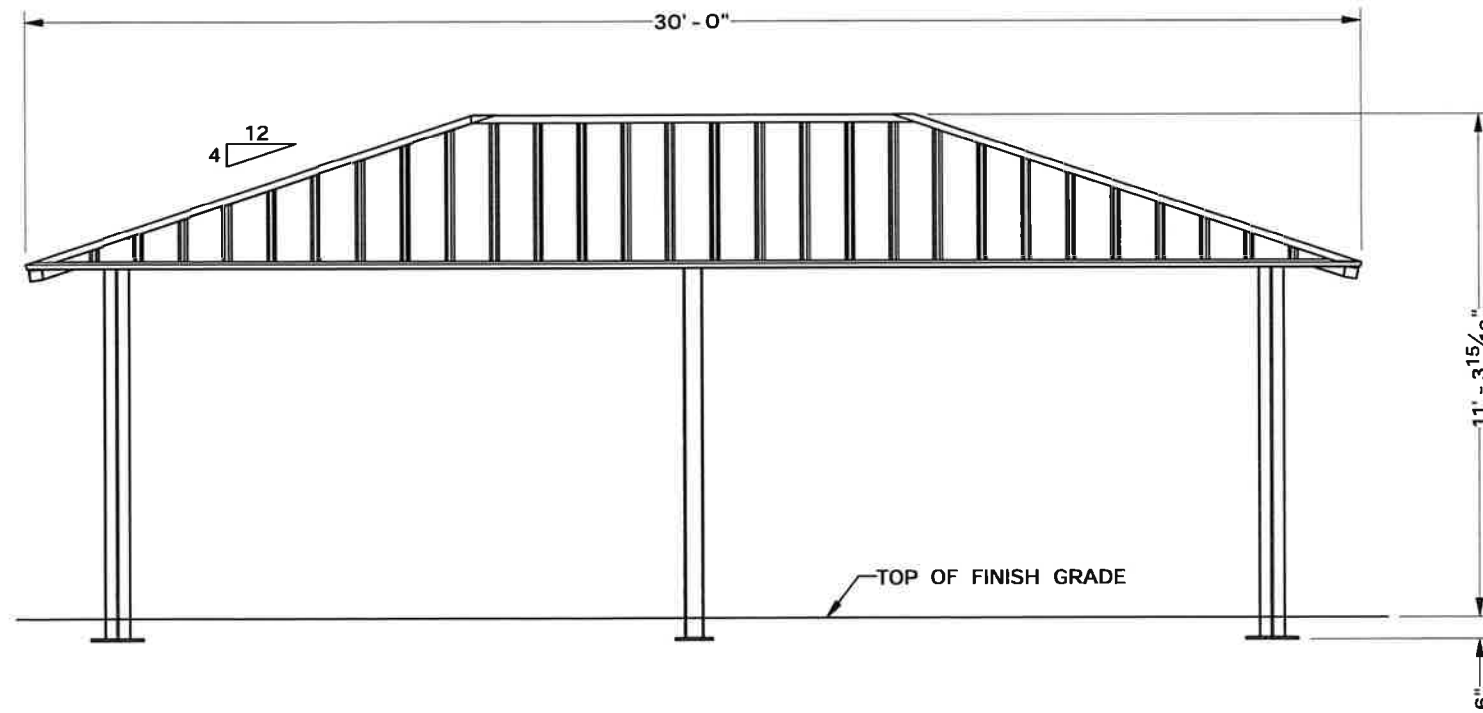


Shelter Systems Inc  
DISTINCTIVE STEEL SHELTERS  
WWW.ICONSHelters.COM  
COPYRIGHT 2004, ICON SHELTER SYSTEMS, INC.

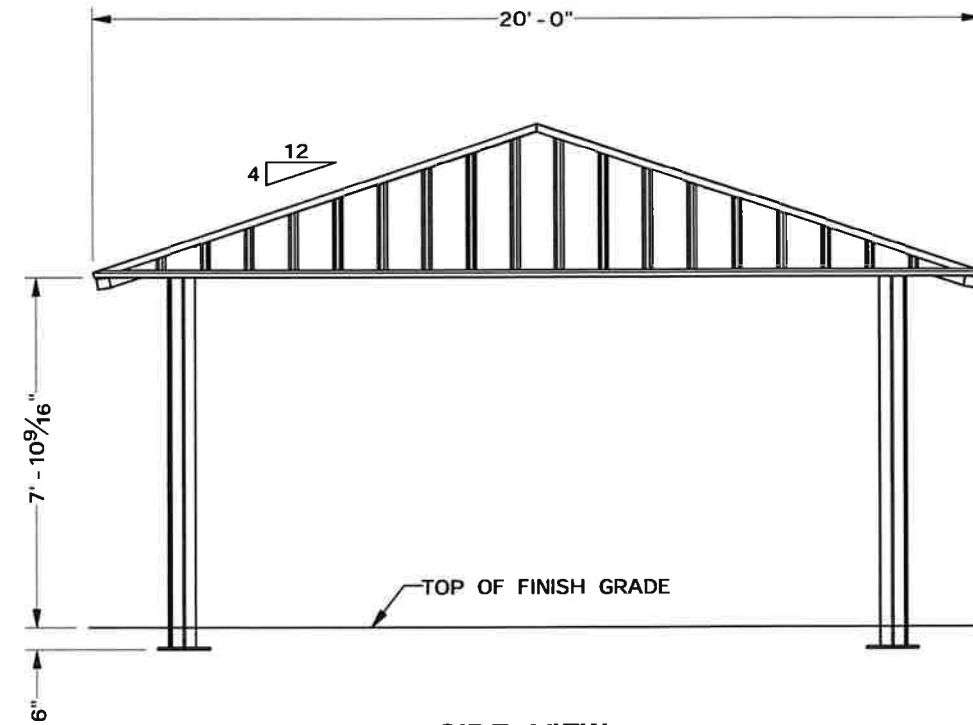
1455 LINCOLN AVE.  
HOLLAND MI, 49423

616.396.0919  
800.748.0985  
616.396.0944 FX

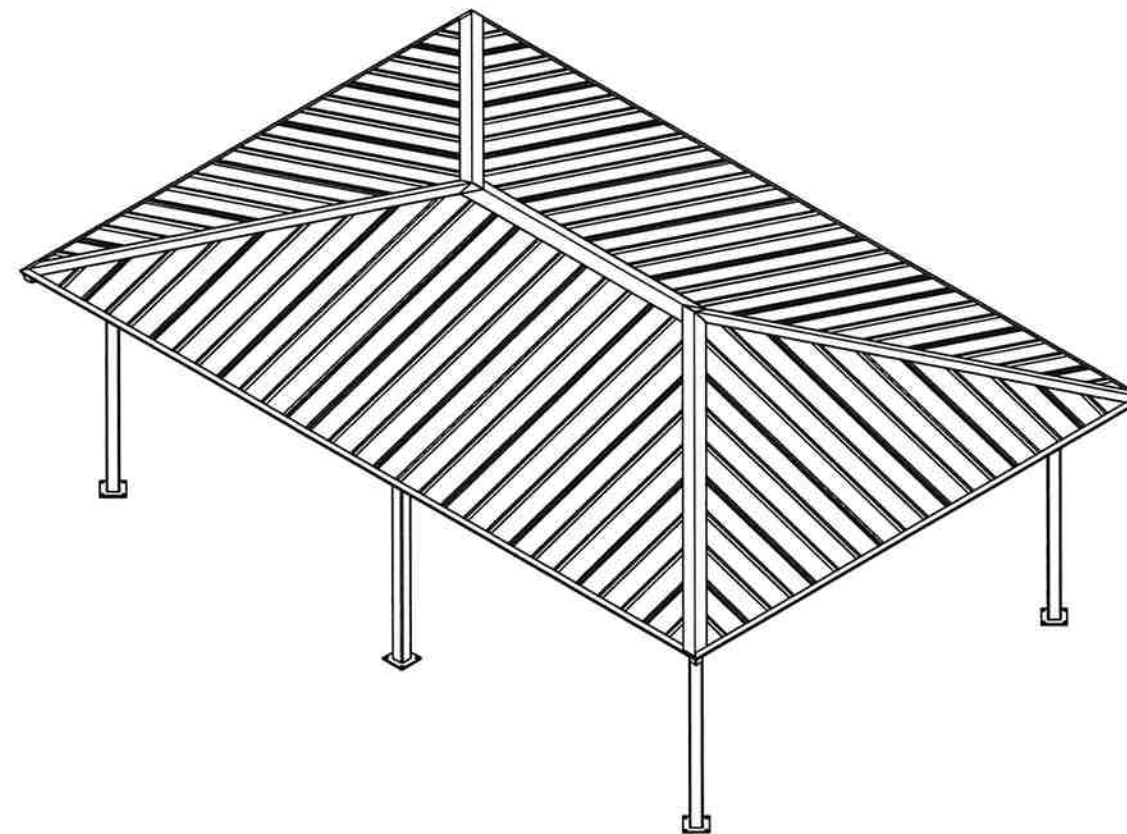
**ELEVATION**



**FRONT VIEW**



**SIDE VIEW**



**ISOMETRIC VIEW**

DRAWN BY:

JMD

DATE:

7/26/2023

JOB NO.:

7976

REVISION:

C

BUILDING TYPE:

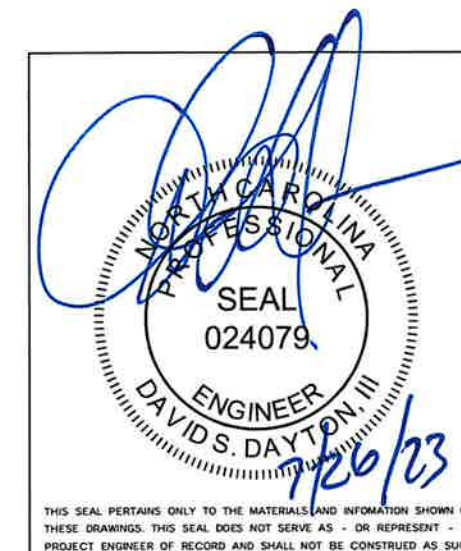
RH20X30M - P4

PROJECT NAME:

BENHAVEN  
COMMUNITY CENTER  
SANFORD, NC  
27332

SHEET

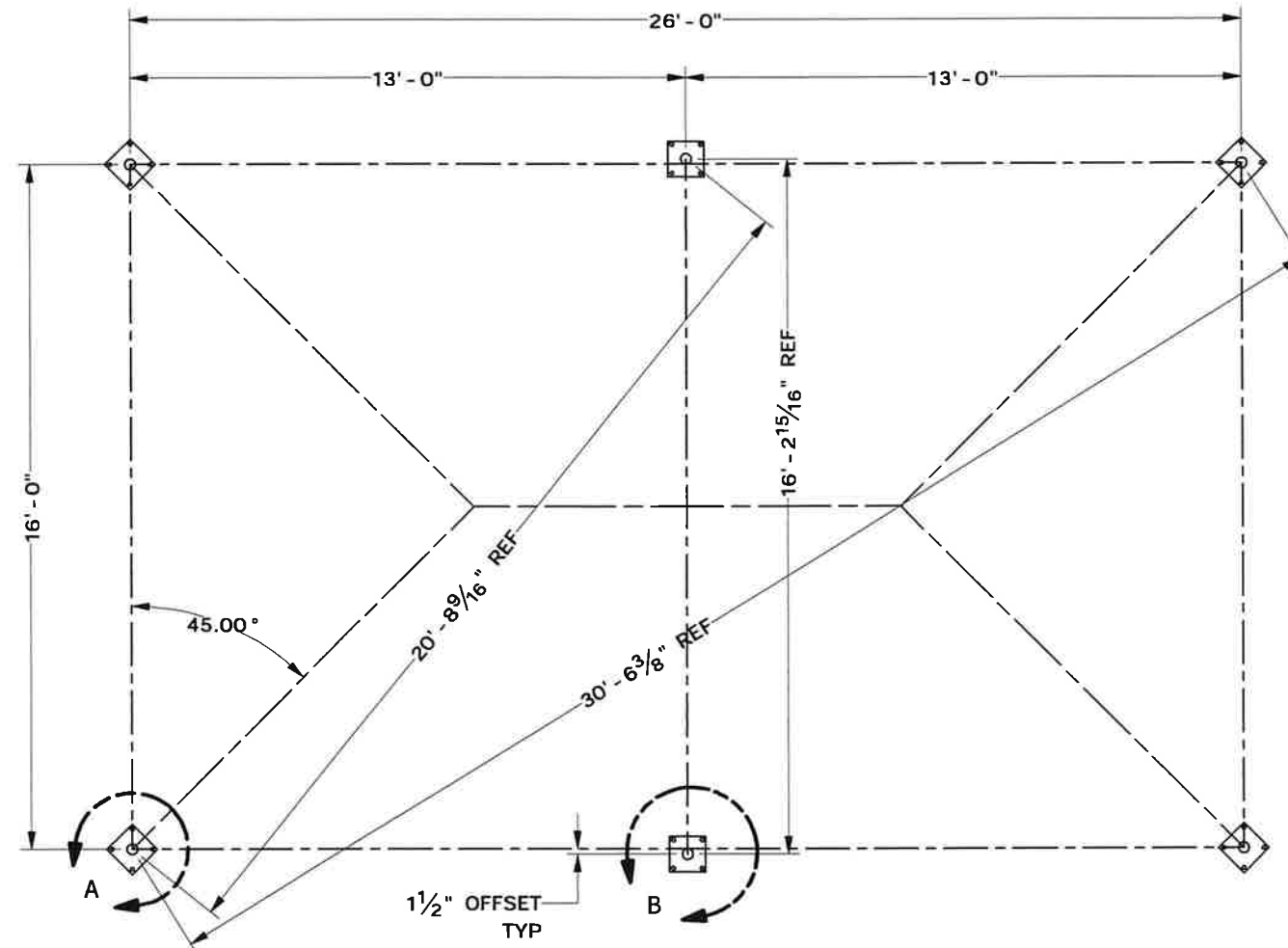
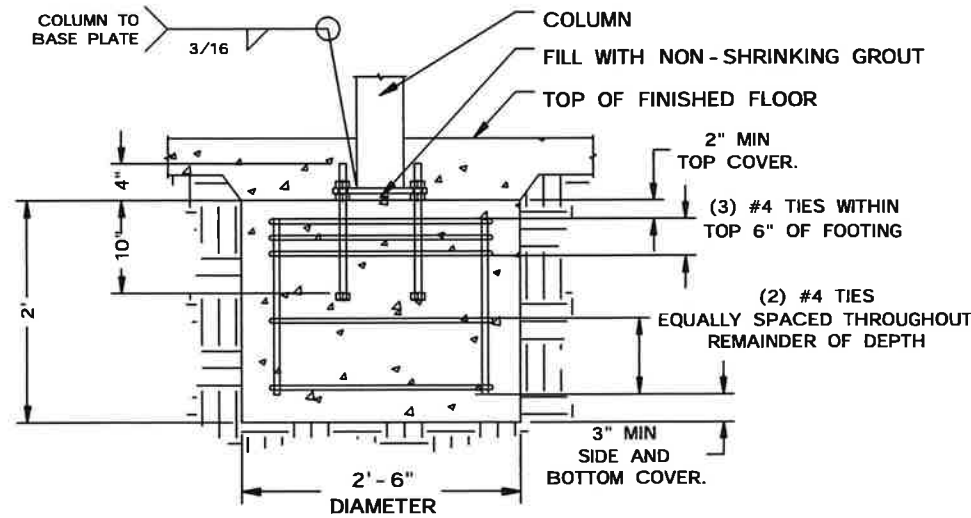
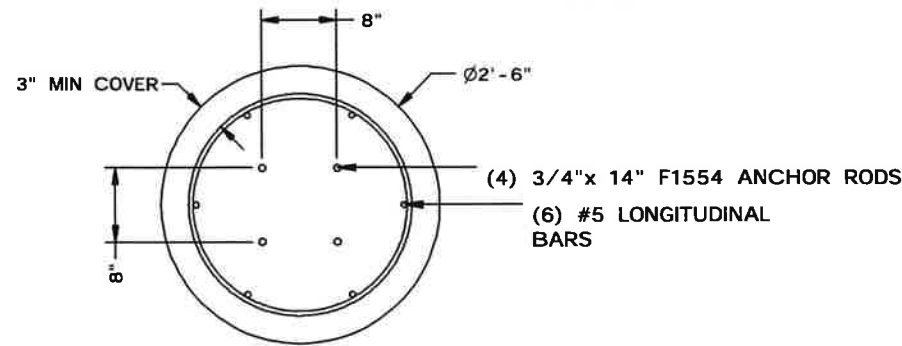
**2.0**



THIS SEAL PERTAINS ONLY TO THE MATERIALS AND INFORMATION SHOWN ON THESE DRAWINGS. THIS SEAL DOES NOT SERVE AS - OR REPRESENT - THE PROJECT ENGINEER OF RECORD AND SHALL NOT BE CONSTRUED AS SUCH.

**ANCHOR BOLT LAYOUT**

CONCRETE STRENGTH  $F'_c = 2500$  PSI  
 REBAR GRADE  $F_y = 60$  KSI  
 SLAB IS REQUIRED. IF NO SLAB IS TO BE  
 INSTALLED, CONTACT THE ICON ENGINEERING  
 DEPARTMENT.



**ANCHOR BOLT LAYOUT**

DRAWN BY:

JMD

DATE:

7/26/2023

JOB NO.:

7976

REVISION:

C

BUILDING TYPE:

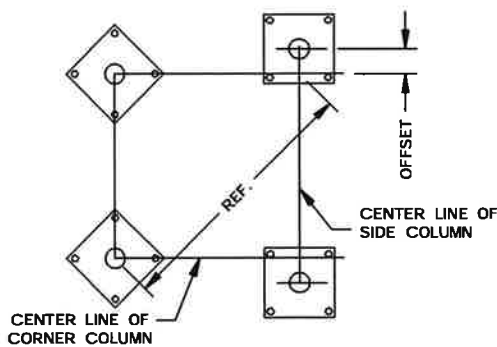
RH20X30M - P4

PROJECT NAME:

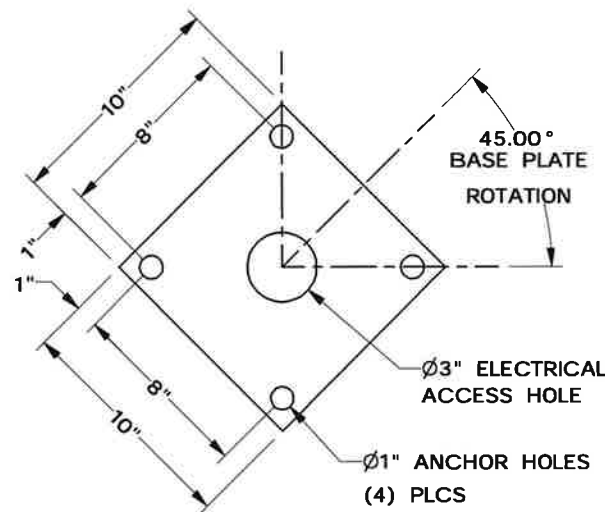
BENHAVEN  
 COMMUNITY CENTER  
 SANFORD, NC  
 27332

SHEET

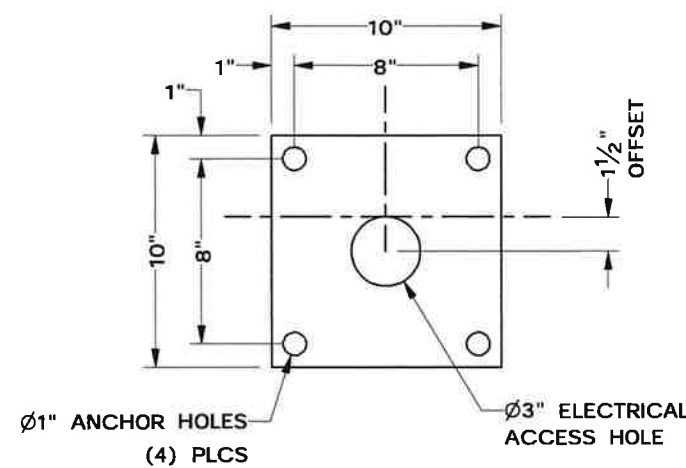
**3.0**



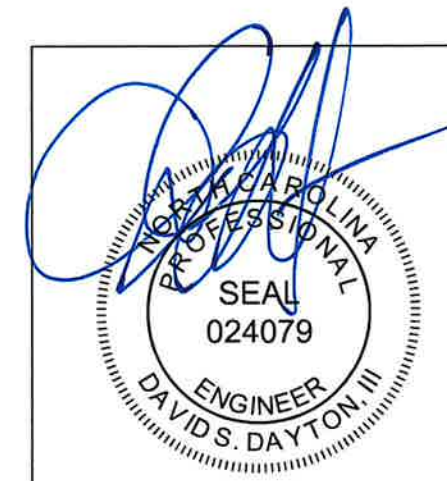
NOTE: SQUARENESS REFERENCE DIMENSION SHOWN ON THE ANCHOR BOLT LAYOUT IS MEASURED FROM THE CENTER OF THE CORNER COLUMN TO INTERSECTION OF THE SIDE & CORNER COLUMN CENTER LINES AS SHOWN ABOVE



**DETAIL A**  
 BASE PLATE MATERIAL  
 5/8" THICK GR50



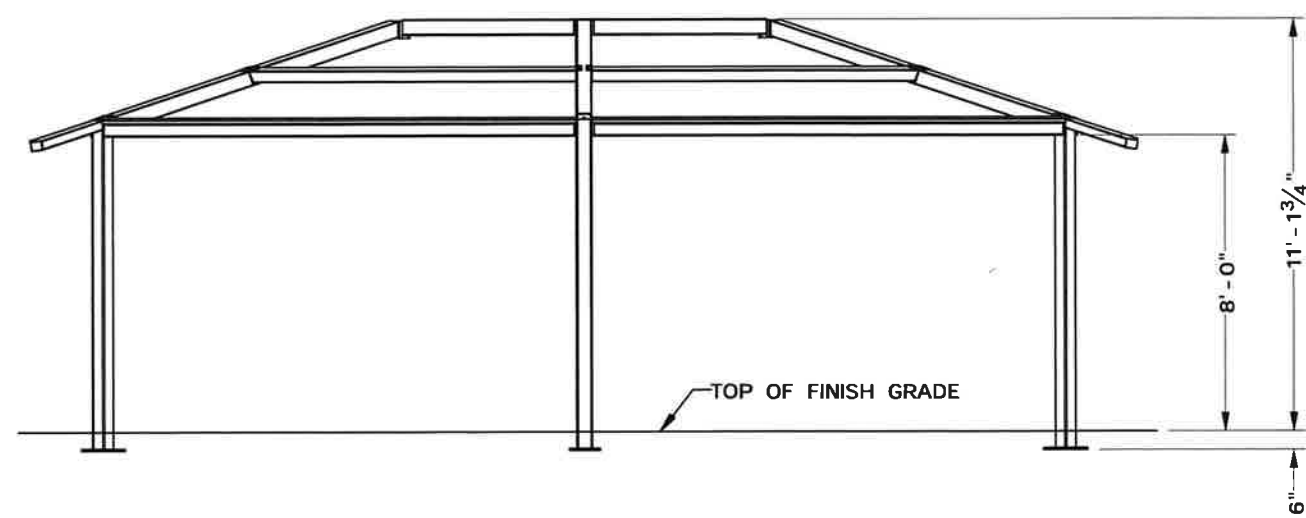
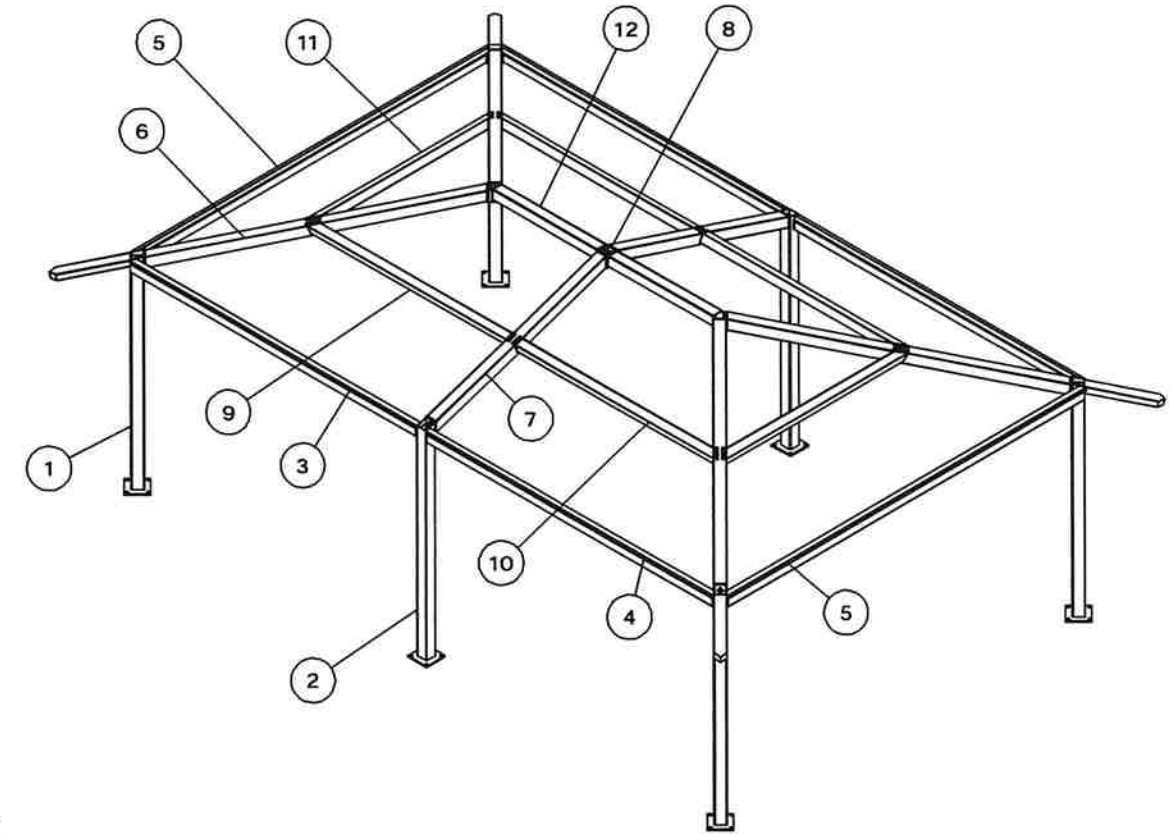
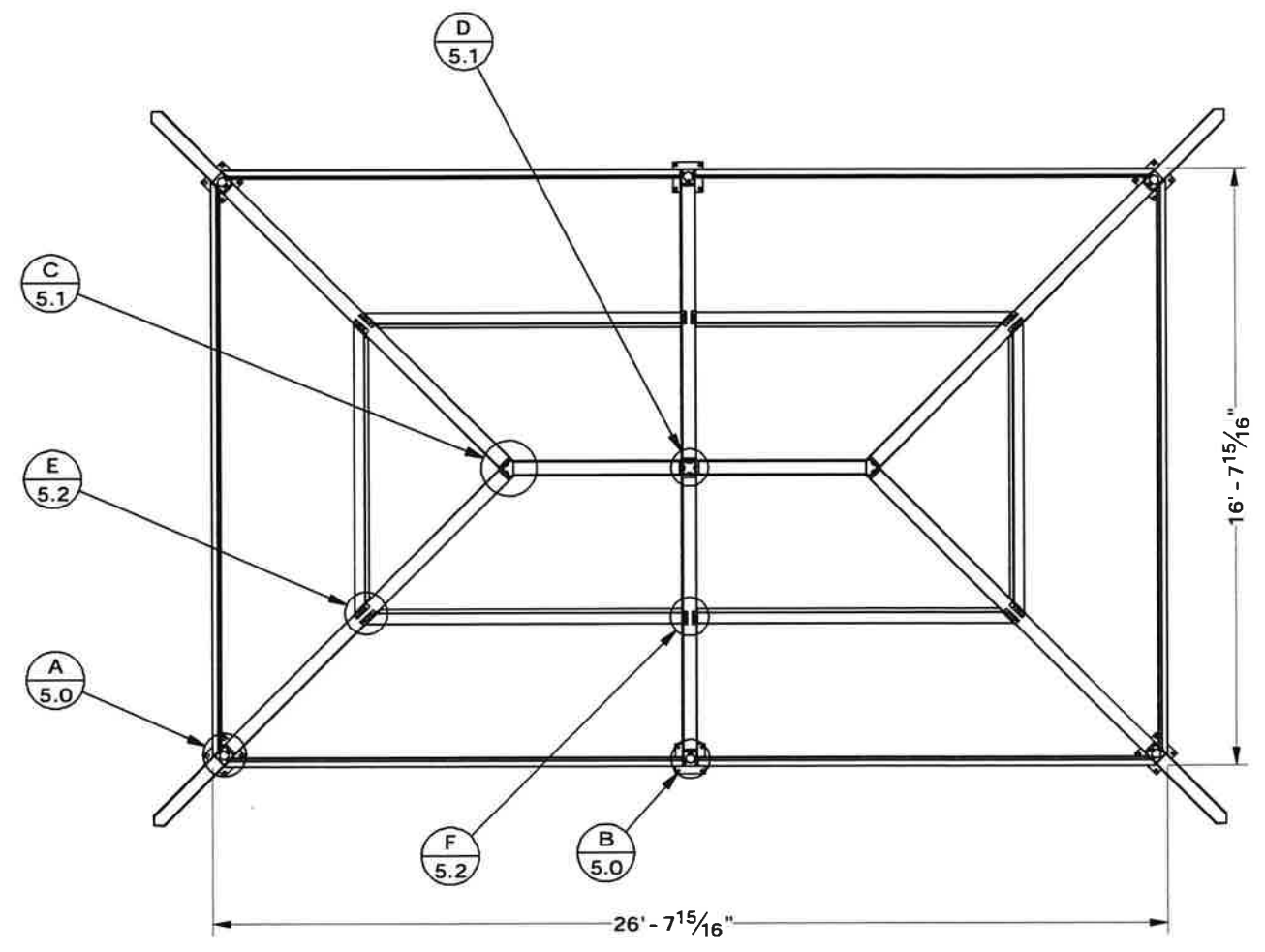
**DETAIL B**  
 BASE PLATE MATERIAL  
 5/8" THICK GR50



THIS SEAL PERTAINS ONLY TO THE MATERIALS AND INFORMATION SHOWN ON THESE DRAWINGS. THIS SEAL DOES NOT SERVE AS - OR REPRESENT - THE PROJECT ENGINEER OF RECORD AND SHALL NOT BE CONSTRUED AS SUCH.

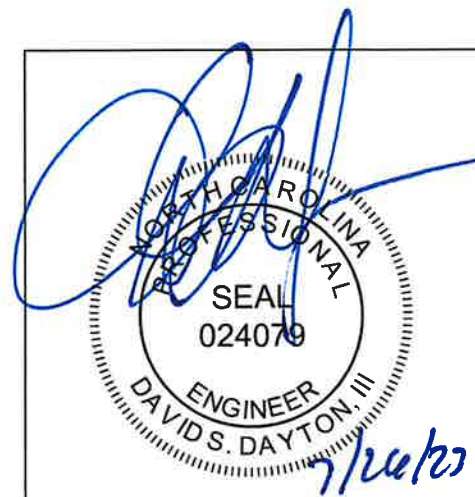
ITEM	QTY	PART NUMBER	DESCRIPTION	MATERIAL	LENGTH	UNIT WEIGHT
1	4	CS-103371	COLUMN 1	HSS5X5X0.1875	107 15/16	139 lbmass
2	2	CS-103374	COLUMN 2	HSS5X5X0.1875	108 5/16	123 lbmass
3	2	CS-103376	TIE BEAM 1	HSS4X3X0.125	152 7/16	95 lbmass
4	2	CS-103378	TIE BEAM 2	HSS4X3X0.125	152 7/16	95 lbmass
5	2	CS-103379	TIE BEAM 3	HSS4X3X0.125	191 1/8	118 lbmass
6	4	CS-85114	RAFTER 1	HSS5X5X0.125	133 1/16	100 lbmass
7	2	CS-85116	RAFTER 2	HSS5X5X0.125	96 3/16	75 lbmass
8	1	CS-95146	CONNECTOR	HSS5X5X0.500	5 11/16	13 lbmass
9	2	CS-85124	PURLIN 1	HSS4X4X0.125	105 7/8	57 lbmass
10	2	CS-85126	PURLIN 2	HSS4X4X0.125	105 7/8	57 lbmass
11	2	CS-85128	PURLIN 3	HSS4X4X0.125	96 7/8	51 lbmass
12	2	CS-103381	RIDGE BEAM	HSS5X5X0.1875	55 13/16	73 lbmass

**ICON**  
Shelter Systems Inc  
DISTINCTIVE STEEL SHELTERS  
WWW.ICONSHelters.COM  
COPYRIGHT 2004, ICON SHELTER SYSTEMS, INC.  
1455 LINCOLN AVE.  
HOLLAND MI, 49423  
616.396.0919  
800.748.0985  
616.396.0944 FX



**FRAME LAYOUT**

DRAWN BY:  
JMD  
DATE:  
7/26/2023  
JOB NO.:  
7976  
REVISION:  
C  
BUILDING TYPE:  
RH20X30M - P4  
PROJECT NAME:  
BENHAVEN  
COMMUNITY CENTER  
SANFORD, NC  
27332



SHEET  
**4.0**

S:\Engineering\Inventor\Jobs\7976\7976 SUBMITTAL.idw

**FRAME CONNECTIONS**

DRAWN BY:

JMD

DATE:

7/26/2023

JOB NO.:

7976

REVISION:

C

BUILDING TYPE:

RH20X30M - P4

PROJECT NAME:

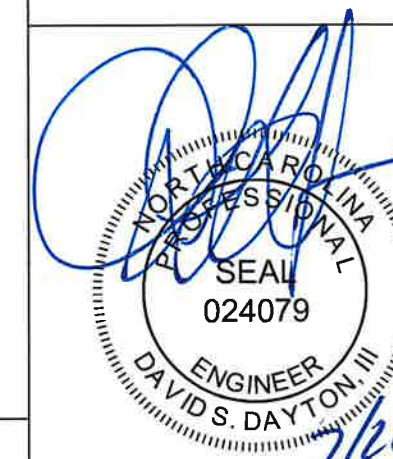
BENHAVEN  
COMMUNITY CENTER  
SANFORD, NC  
27332

SHEET

**5.0**

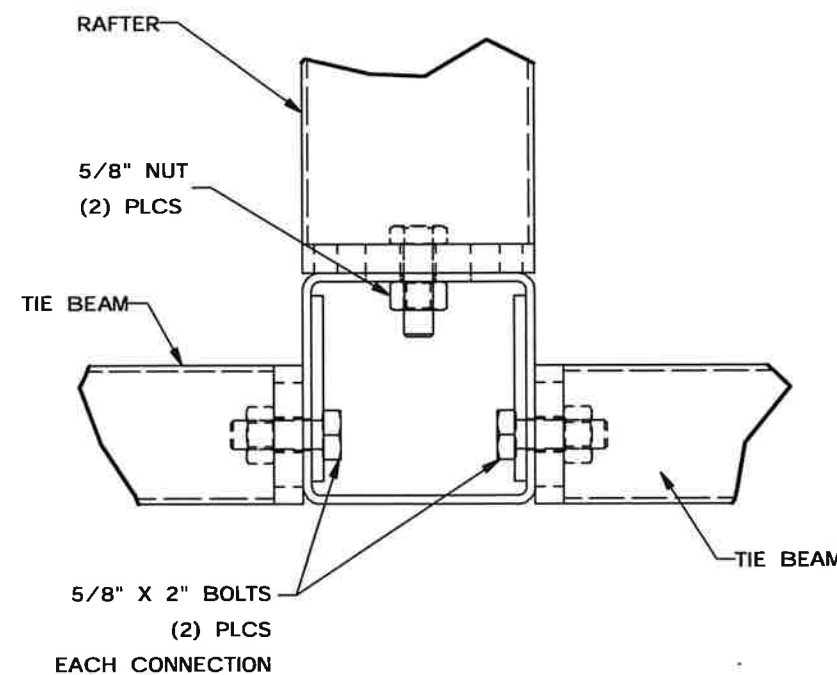
**NOTE TO INSTALLERS:**  
WITH FACTORY POWDERCOATED  
SHELTERS, PAINT **EXPOSED**  
FASTENERS OF COMPRESSION RINGS,  
ORNAMENTATION, KNIFE PLATES, ETC.  
WITH PROVIDED TOUCH UP PAINT TO  
PREVENT RUSTING OF FASTENERS

**PAINT EXPOSED FASTENERS**



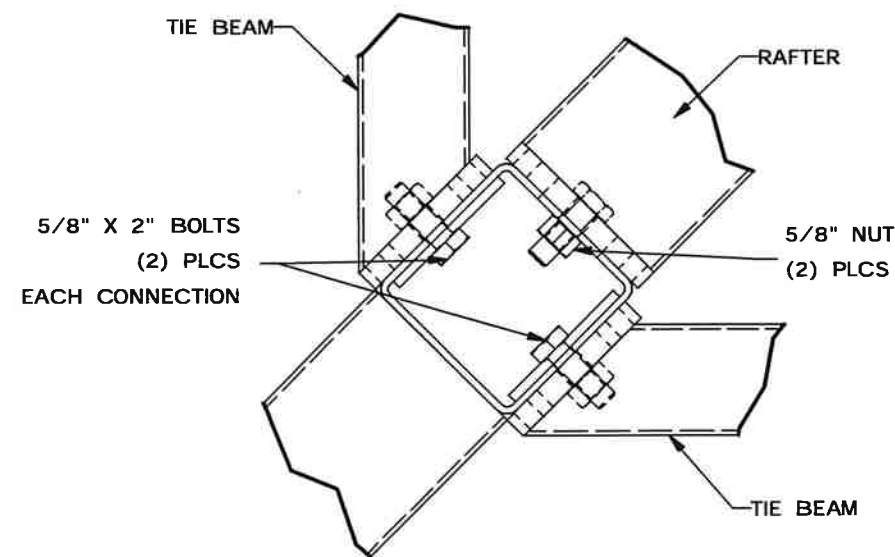
THIS SEAL PERTAINS ONLY TO THE MATERIALS AND INFORMATION SHOWN ON THESE DRAWINGS. THIS SEAL DOES NOT SERVE AS - OR REPRESENT - THE PROJECT ENGINEER OF RECORD AND SHALL NOT BE CONSTRUED AS SUCH.

PRINTED ON : 7/26/2023



**RAFTER AND TIE BEAM CONNECTION @ MID COLUMN**

**DETAIL B**



**RAFTER AND TIE BEAM CONNECTION @ COLUMN**

**DETAIL A**

S:\Engineering\Inventor\Jobs\7976\7976 SUBMITTAL.idw

**FRAME CONNECTIONS**

DRAWN BY:

JMD

DATE:

7/26/2023

JOB NO.:

7976

REVISION:

C

BUILDING TYPE:

RH20X30M - P4

PROJECT NAME:

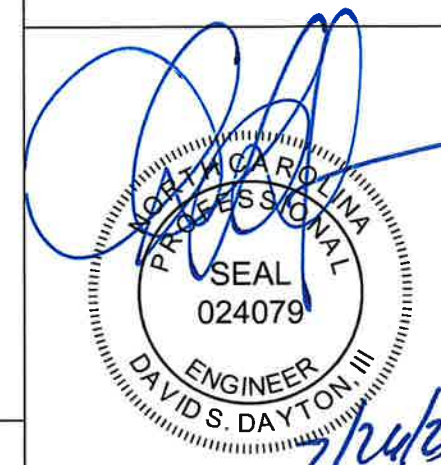
BENHAVEN  
COMMUNITY CENTER  
SANFORD, NC  
27332

SHEET

**5.1**

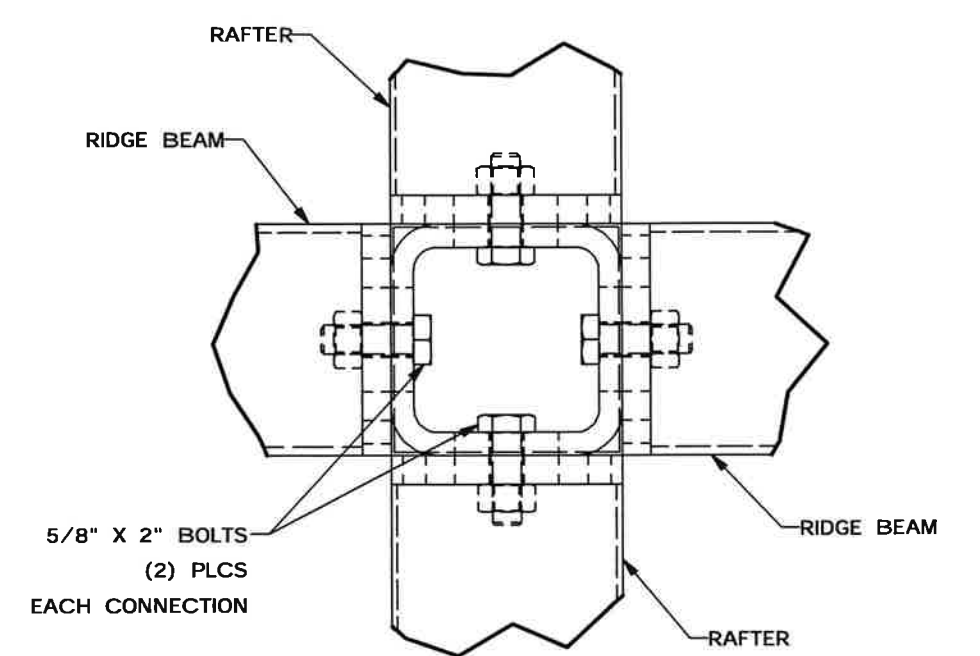
**NOTE TO INSTALLERS:**  
WITH FACTORY POWDERCOATED  
SHELTERS, PAINT **EXPOSED**  
FASTENERS OF COMPRESSION RINGS,  
ORNAMENTATION, KNIFE PLATES, ETC.  
WITH PROVIDED TOUCH UP PAINT TO  
PREVENT RUSTING OF FASTENERS

**PAINT EXPOSED FASTENERS**



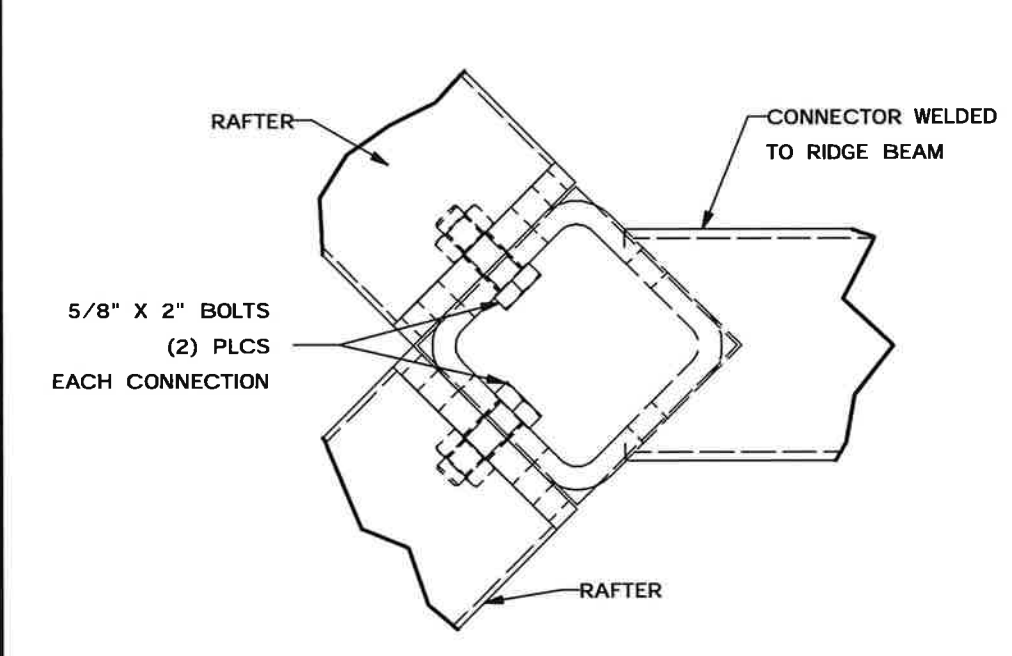
THIS SEAL PERTAINS ONLY TO THE MATERIALS AND INFORMATION SHOWN ON THESE DRAWINGS. THIS SEAL DOES NOT SERVE AS - OR REPRESENT - THE PROJECT ENGINEER OF RECORD AND SHALL NOT BE CONSTRUED AS SUCH.

S:\Engineering\Inventor\Jobs\7976\7976 SUBMITTAL.iDW



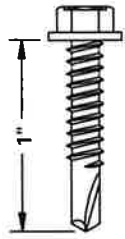
**NOTE: INSTALL CONNECTOR  
W/OPEN SIDE UP**

**RAFTER & RIDGE BEAM CONNECTION @ CONNECTOR DETAIL D**

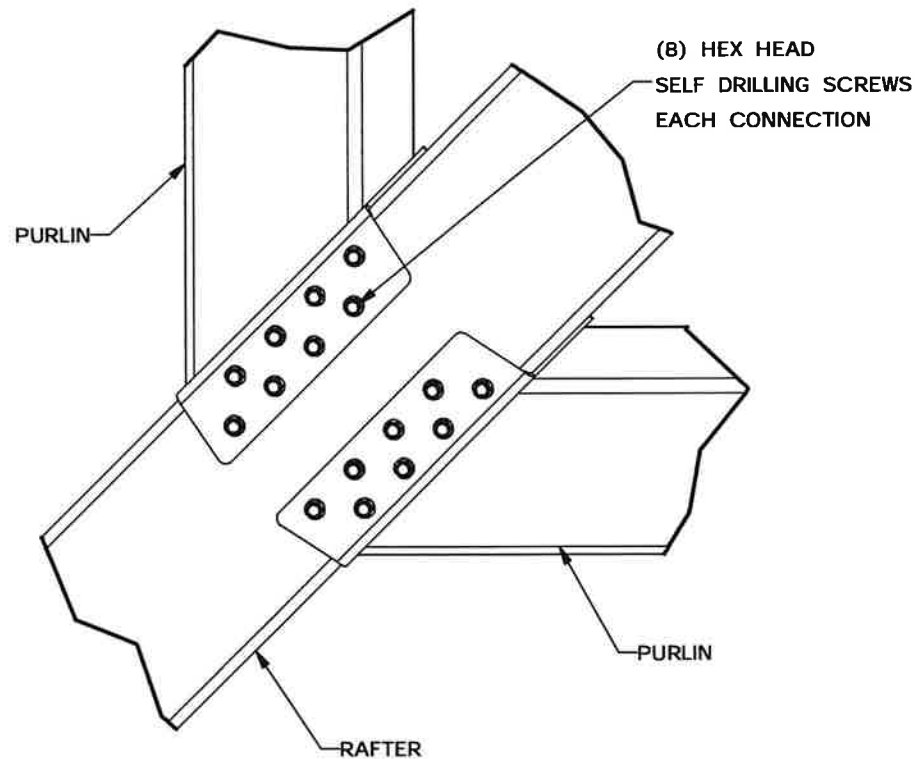


**INSTALL RIDGE BEAM W/  
OPEN CONNECTOR SIDE UP**

**RAFTER CONNECTION @ RIDGE BEAM DETAIL C**



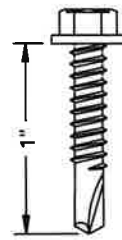
HEX HEAD SELF DRILLING SCREW  
1/4" - 14x1"



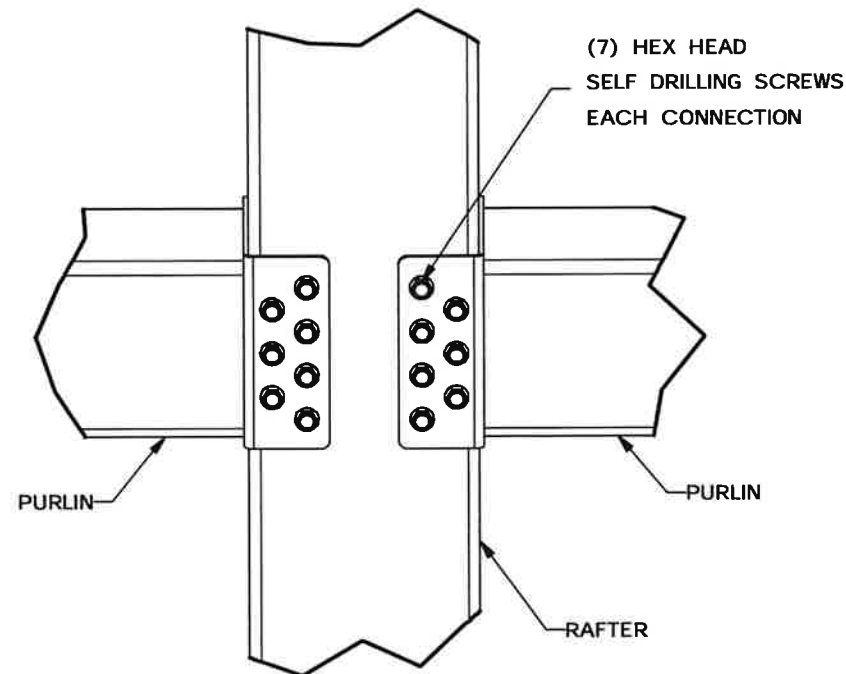
- 1). SLIDE PURLIN INTO PLACE BETWEEN THE RAFTERS
- 2). FASTEN PURLIN W/ (8) HEX HEAD SELF DRILLING ON EACH END

PURLIN CONNECTION  
@ RAFTER

DETAIL E



HEX HEAD SELF DRILLING SCREW  
1/4" - 14x1"



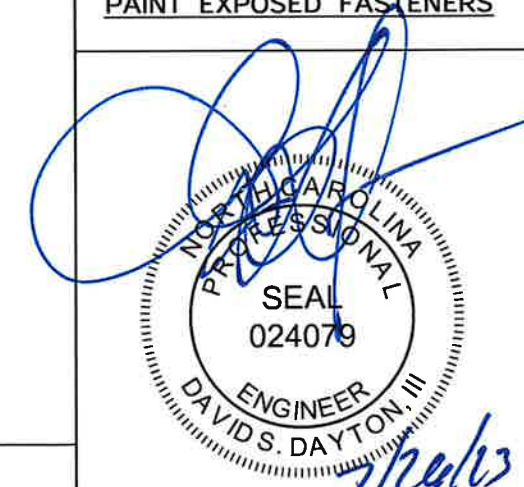
- 1). SLIDE PURLIN INTO PLACE BETWEEN RAFTERS
- 2). FASTEN PURLIN W/ (7) HEX HEAD SCREWS ON EACH END

PURLIN CONNECTION  
@ RAFTER

DETAIL F

**NOTE TO INSTALLERS:**  
WITH FACTORY POWDERCOATED SHELTERS, PAINT EXPOSED FASTENERS OF COMPRESSION RINGS, ORNAMENTATION, KNIFE PLATES, ETC. WITH PROVIDED TOUCH UP PAINT TO PREVENT RUSTING OF FASTENERS

PAINT EXPOSED FASTENERS



THIS SEAL PERTAINS ONLY TO THE MATERIALS AND INFORMATION SHOWN ON THESE DRAWINGS. THIS SEAL DOES NOT SERVE AS - OR REPRESENT - THE PROJECT ENGINEER OF RECORD AND SHALL NOT BE CONSTRUED AS SUCH.

FRAME CONNECTIONS

DRAWN BY:

JMD

DATE:

7/26/2023

JOB NO.:

7976

REVISION:

C

BUILDING TYPE:

RH20X30M - P4

PROJECT NAME:

BENHAVEN  
COMMUNITY CENTER  
SANFORD, NC  
27332

SHEET

5.2





THE DETAILS SHOWN ARE SUGGESTIONS OR GUIDELINES ON HOW TO ERECT THE METAL ROOFING SYSTEM. THE INFORMATION SHOWN IS ACCURATE, BUT IT IS NOT INTENDED TO COVER ALL INSTANCES, BUILDING REQUIREMENTS, DESIGNS OR CODES. CHANGES TO THE DETAILS MAY BE REQUIRED DUE TO FIELD CONDITIONS.

THE ERECTOR SHOULD THOROUGHLY FAMILIARIZE THEMSELVES WITH ALL INSTALLATION INSTRUCTION MATERIAL BEFORE STARTING WORK.

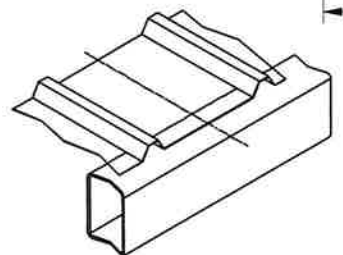
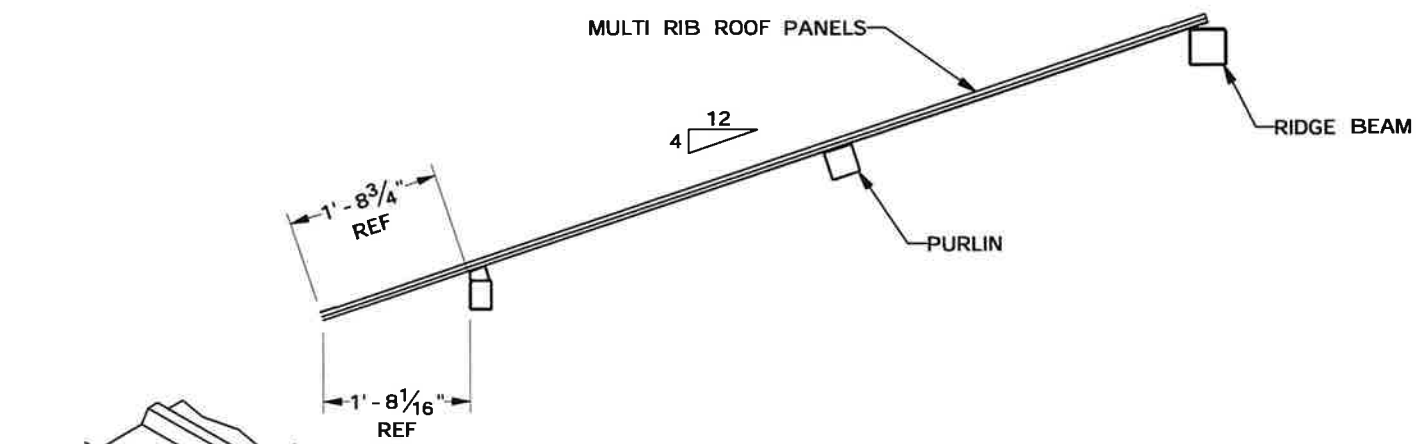
THE PANELS SHOULD BE INSTALLED PLUMB, STRAIGHT, AND ACCURATELY TO THE ADJACENT WORK.

ERECTORS SHALL BE RESPONSIBLE TO ENSURE THAT THE DETAILS MEET PARTICULAR BUILDING REQUIREMENTS AND TO ASSURE ADEQUATE WATER TIGHTNESS.

FOR THE BEST APPEARANCE ALL TRIM AND FLASHING SHALL BE INSTALLED TRUE, AND IN PROPER ALIGNMENT, WITH ALL EXPOSED FASTENERS EQUALLY SPACED.

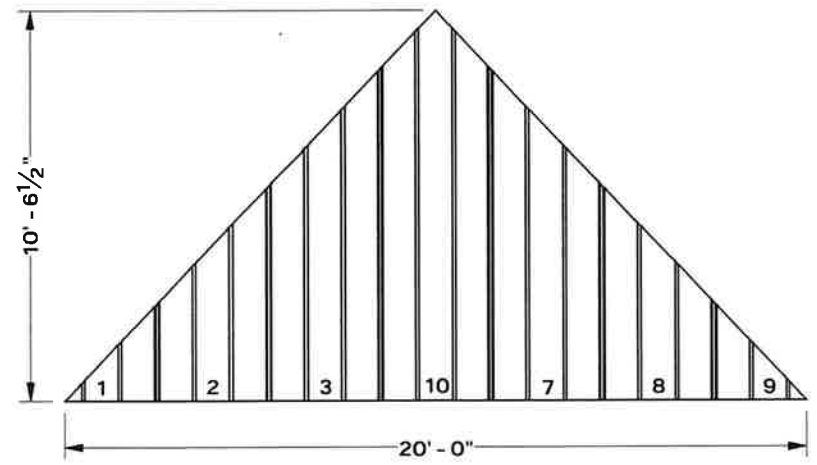
SOME FIELD CUTTING AND/OR FITTING OF PANELS, TRIM AND FLASHING IS TO BE EXPECTED BY THE ERECTOR. MINOR FIELD CORRECTIONS ARE PART OF NORMAL ERECTION WORK.

THE INSTALLATION SHALL BE PERFORMED BY EXPERIENCED METAL CRAFTSMEN AND WORKMANSHIP SHALL MEET THE BEST INDUSTRY STANDARDS.

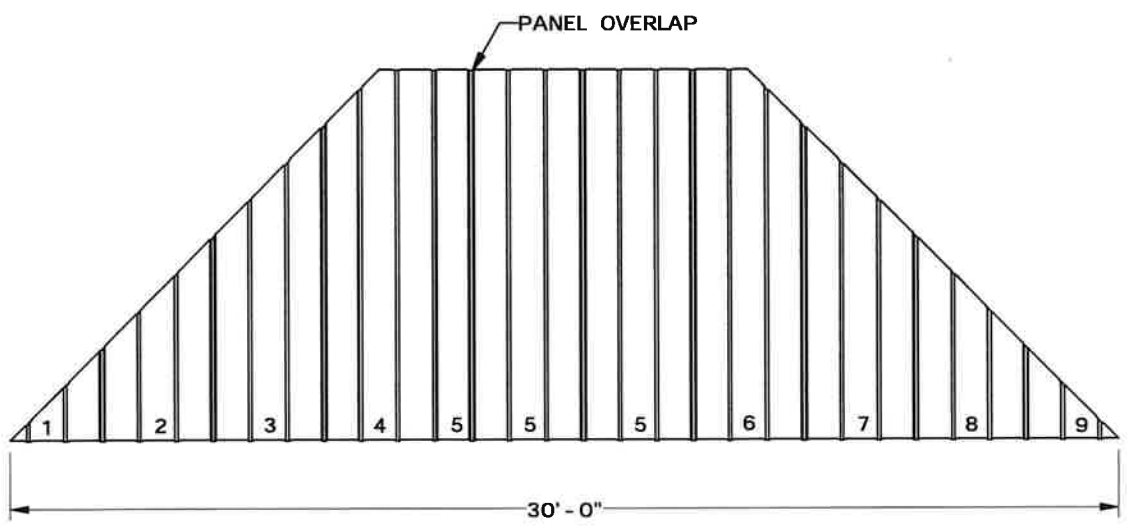


**MULTI RIB ROOF SECTION**

- STEPS FOR PROPER PANEL INSTALLATION:**
1. MARK THE CENTER OF THE TIE BEAM AND COMPRESSION RING (OR PURLIN ON MULTI TIER BUILDINGS).
  2. FIND ONE OF THE LONGEST PANELS.
  3. CENTER THAT PANEL ALONG THE CENTER LINE OF THE FRAME.  
(SEE ROOF LAYOUT FOR THE CORRECT RIB TO CENTER)
  4. INSTALL REMAINING PANELS WORKING OUT TOWARDS THE CORNERS.
  5. INSTALL ALL ROOF SECTIONS USING THIS METHOD.



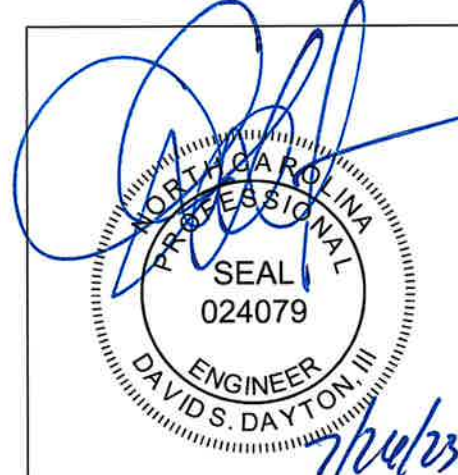
**MULTI RIB ROOF LAYOUT - END**



**MULTI RIB ROOF LAYOUT - SIDE**

**ATTENTION INSTALLERS:**  
 METAL SHAVINGS LEFT ON ROOF WILL QUICKLY RUST AND STAIN THE ROOF FINISH!

DRILLING OR INSTALLING ROOF FASTENERS WILL CAUSE METAL SHAVINGS. THESE SHAVINGS MUST BE CAREFULLY REMOVED AT THE END OF EACH DAY BY EITHER SWEEPING OR BRUSHING THE INSTALLED ROOF.



THIS SEAL PERTAINS ONLY TO THE MATERIALS AND INFORMATION SHOWN ON THESE DRAWINGS. THIS SEAL DOES NOT SERVE AS - OR REPRESENT - THE PROJECT ENGINEER OF RECORD AND SHALL NOT BE CONSTRUED AS SUCH.

**ICON**  
 Shelter Systems Inc  
 DISTINCTIVE STEEL SHELTERS  
 WWW.ICONSHELTERS.COM  
 COPYRIGHT 2004, ICON SHELTER SYSTEMS, INC.  
 1455 LINCOLN AVE.  
 HOLLAND MI, 49423  
 616.396.0919  
 800.748.0985  
 616.396.0944 FX

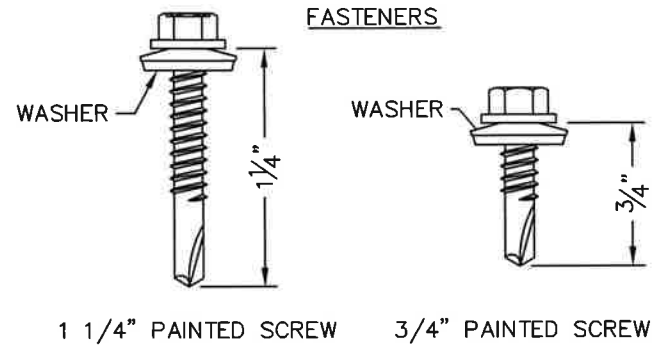
**ROOF LAYOUT**

DRAWN BY:	JMD
DATE:	7/26/2023
JOB NO.:	7976
REVISION:	C
BUILDING TYPE:	RH20X30M - P4
PROJECT NAME:	BENHAVEN COMMUNITY CENTER SANFORD, NC 27332







SHEET  
**6.0**

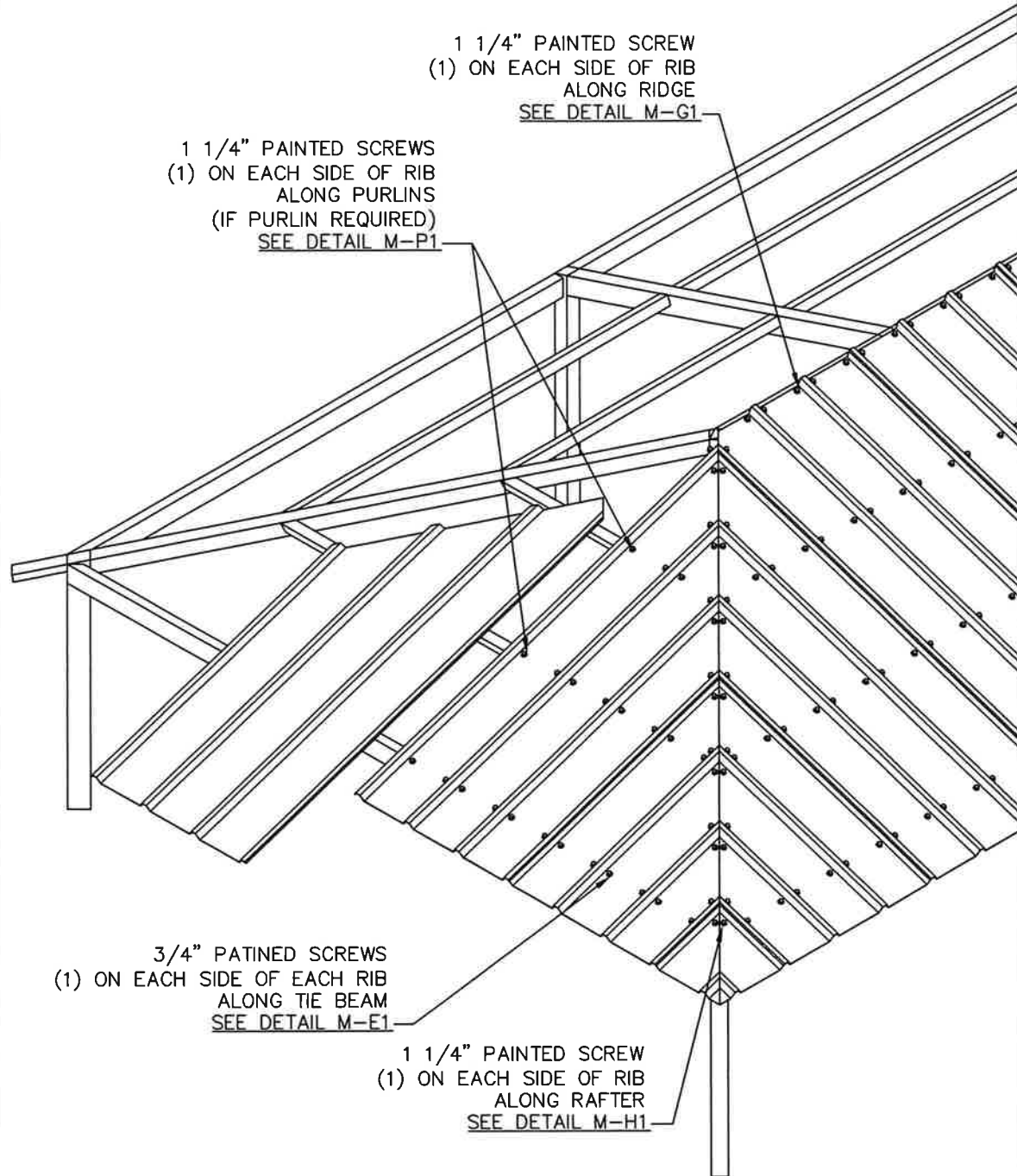
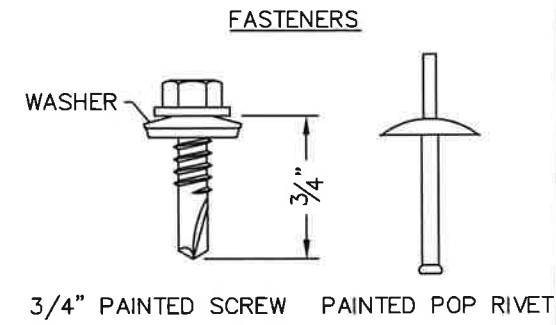
S:\Engineering\Inventor\Jobs\7976\7976 SUBMITTAL.idw

NOTE: STITCH OR LAP SCREWS ARE NOT REQUIRED ALONG THE RIB



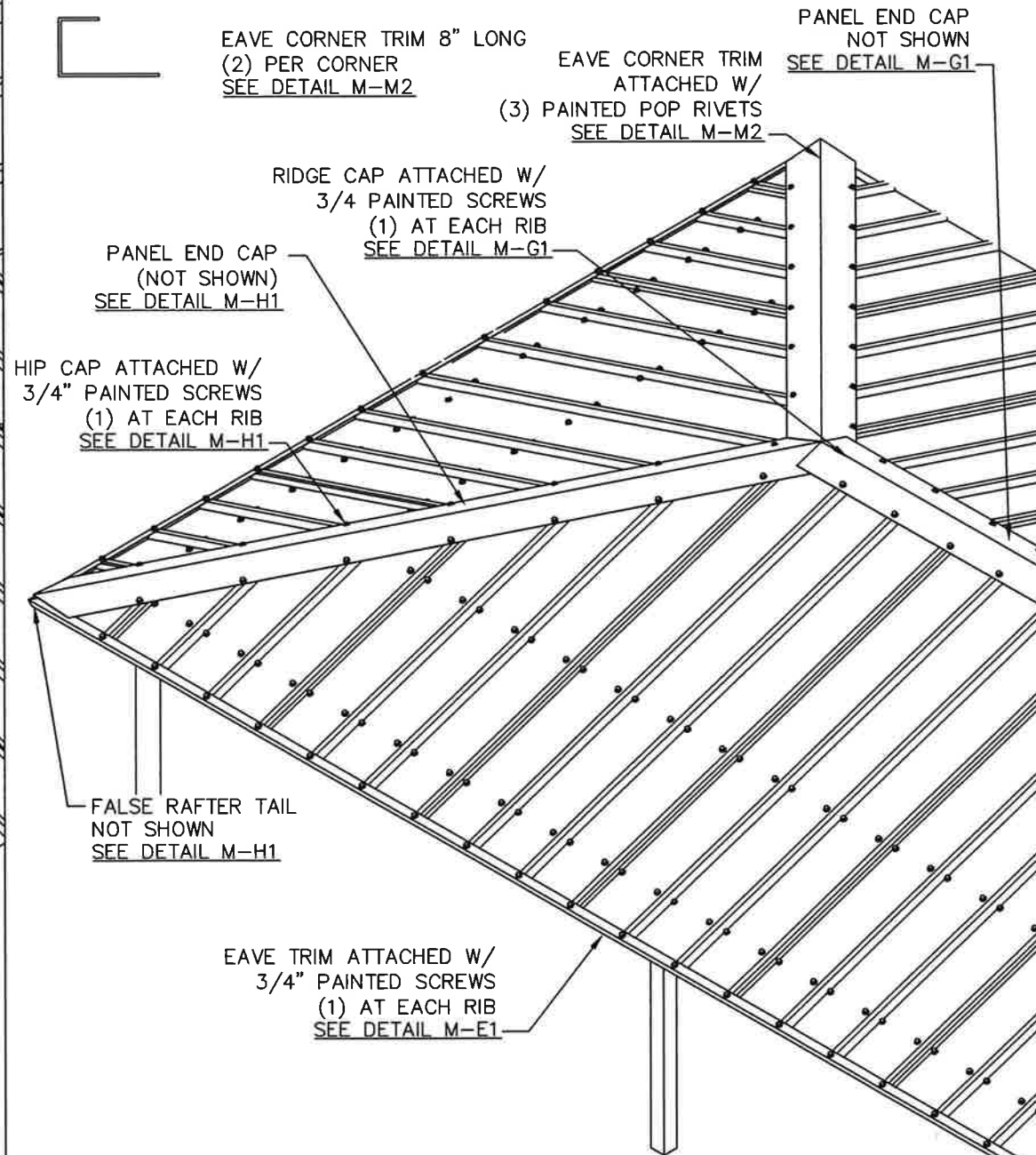
**ORDER OF INSTALLATION**

-  PANEL END CAP 10' LONG  
SEE DETAIL M-H1, M-G1
-  FALSE RAFTER 41" LONG  
SEE DETAIL M-H1
-  EAVE TRIM 10' LONG  
W/ WEEP HOLES  
SEE DETAIL M-E1
-  RIDGE CAP 10' LONG  
SEE DETAIL M-G1
-  HIP CAP 10' LONG  
SEE DETAIL M-H1
-  EAVE CORNER TRIM 8" LONG  
(2) PER CORNER  
SEE DETAIL M-M2



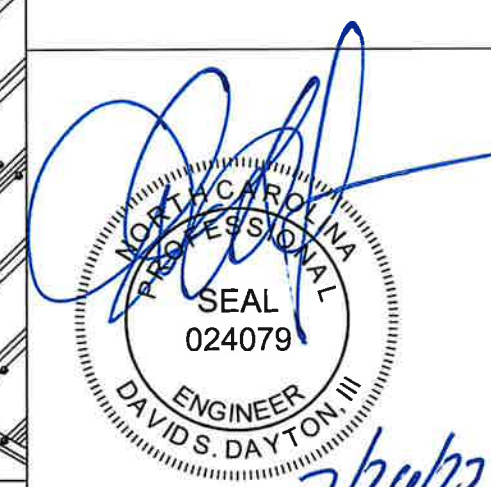
METAL ROOF INSTALLATION

ROOF



TRIM INSTALLATION

TRIM



THIS SEAL PERTAINS ONLY TO THE MATERIALS AND INFORMATION SHOWN ON THESE DRAWINGS. THIS SEAL DOES NOT SERVE AS - OR REPRESENT - THE PROJECT ENGINEER OF RECORD AND SHALL NOT BE CONSTRUED AS SUCH.

**ICON**  
Shelter Systems Inc  
DISTINCTIVE STEEL SHELTERS  
WWW.ICONSHelters.COM  
COPYRIGHT 2004, ICON SHELTER SYSTEMS, INC.  
1455 LINCOLN AVE.  
HOLLAND MI, 49423  
616.396.0919  
800.748.0985  
616.396.0944 FX

ROOF DETAILS

DRAWN BY:  
JMD

DATE:  
7/26/2023

JOB NO.:

7976

REVISION:

C

BUILDING TYPE:  
RH20X30M-P4

PROJECT NAME:  
BENHAVEN  
COMMUNITY CENTER  
SANFORD, NC  
27332

SHEET  
R1.0

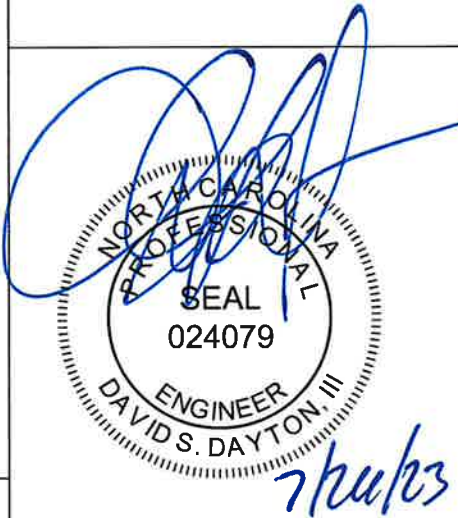
DWG:Jobs\7976\RI-000003-7976.dwg

ROOF DETAILS

DRAWN BY:  
 JMD  
 DATE:  
 7/26/2023  
 JOB NO.:  
 7976  
 REVISION:  
 C

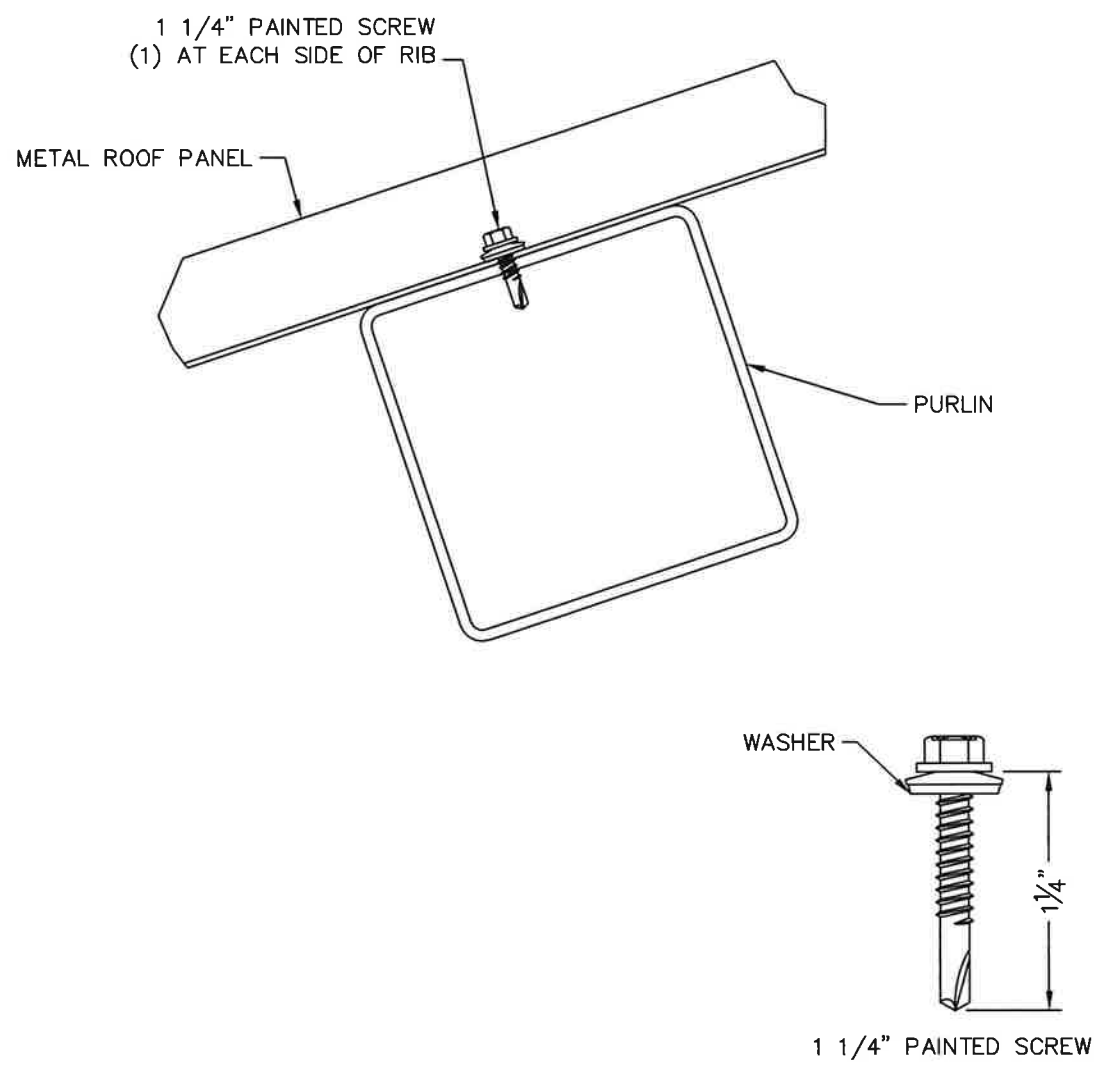
BUILDING TYPE:  
 RH20X30M-P4  
 PROJECT NAME:  
 BENHAVEN  
 COMMUNITY CENTER  
 SANFORD, NC  
 27332

SHEET  
 R1.1

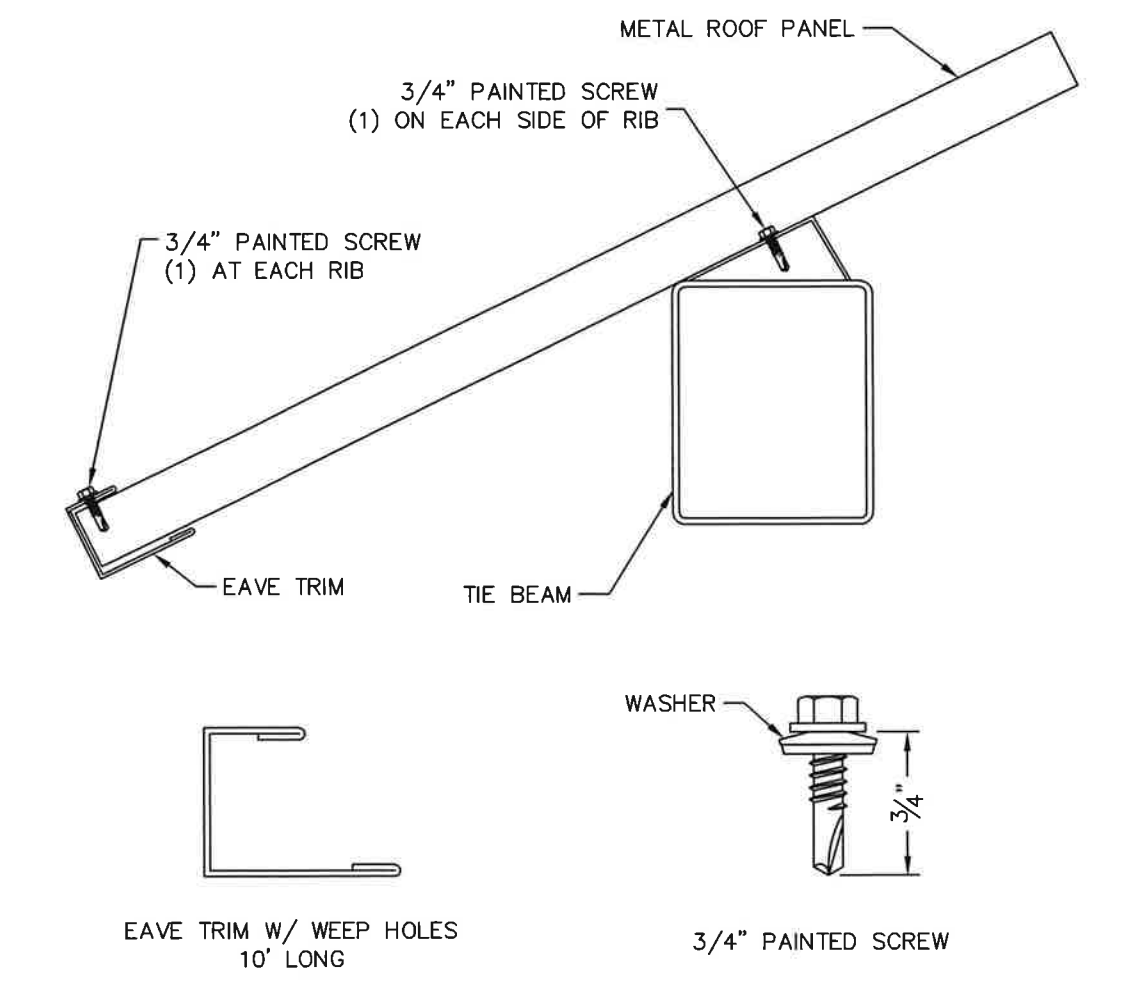


THIS SEAL PERTAINS ONLY TO THE MATERIALS AND INFORMATION SHOWN ON THESE DRAWINGS. THIS SEAL DOES NOT SERVE AS - OR REPRESENT - THE PROJECT ENGINEER OF RECORD AND SHALL NOT BE CONSTRUED AS SUCH.

PRINTED ON: 7/26/2023

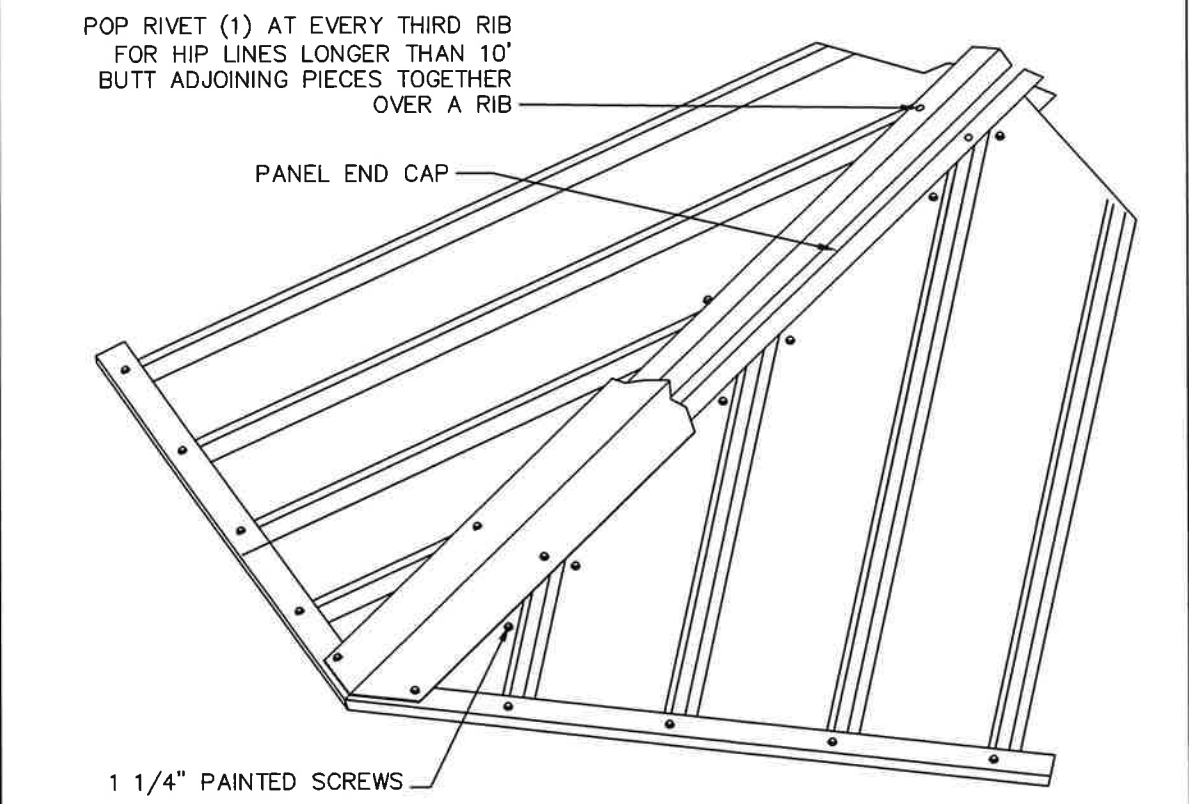
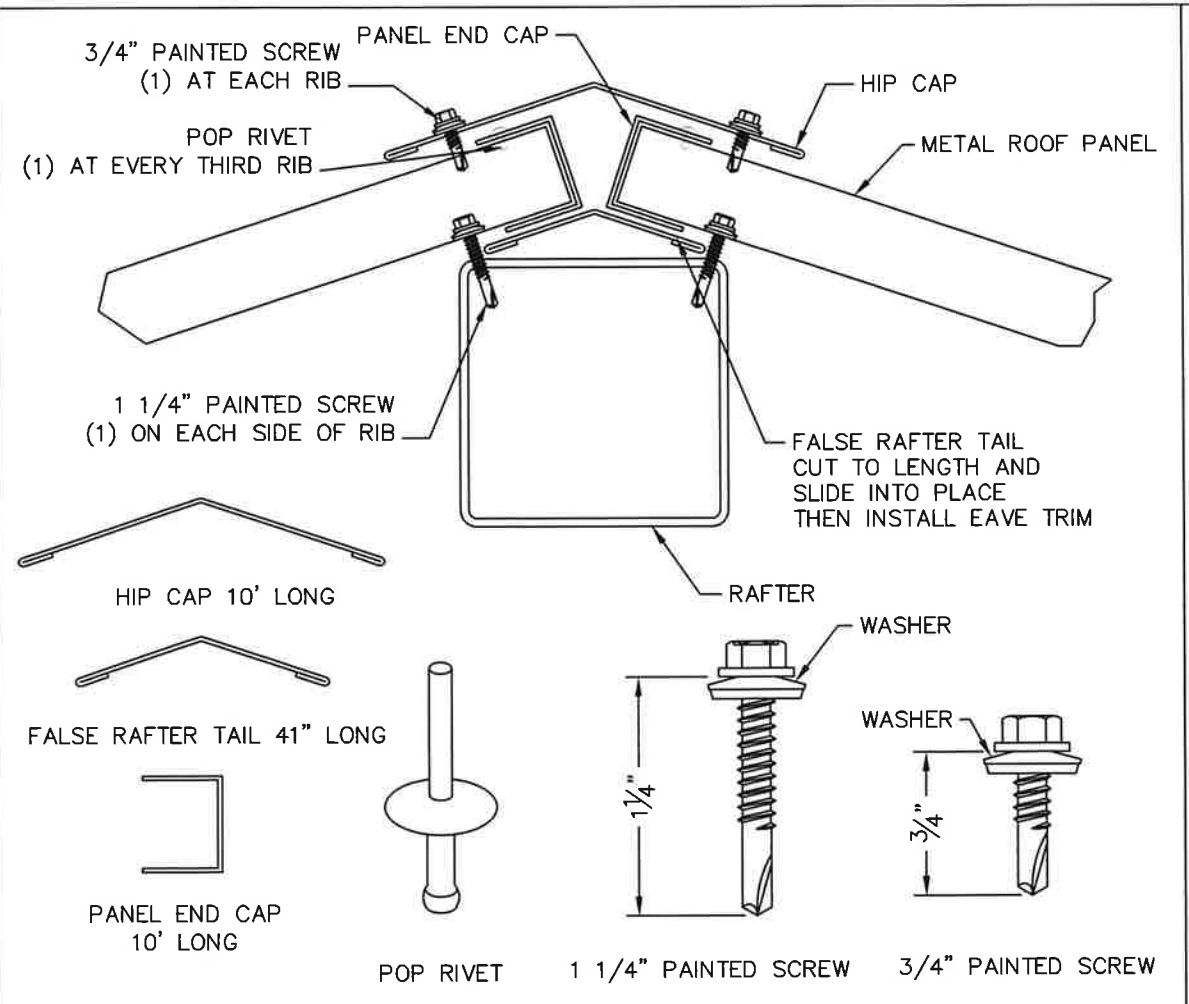


METAL ROOF PURLIN CONNECTION DETAIL M-P1

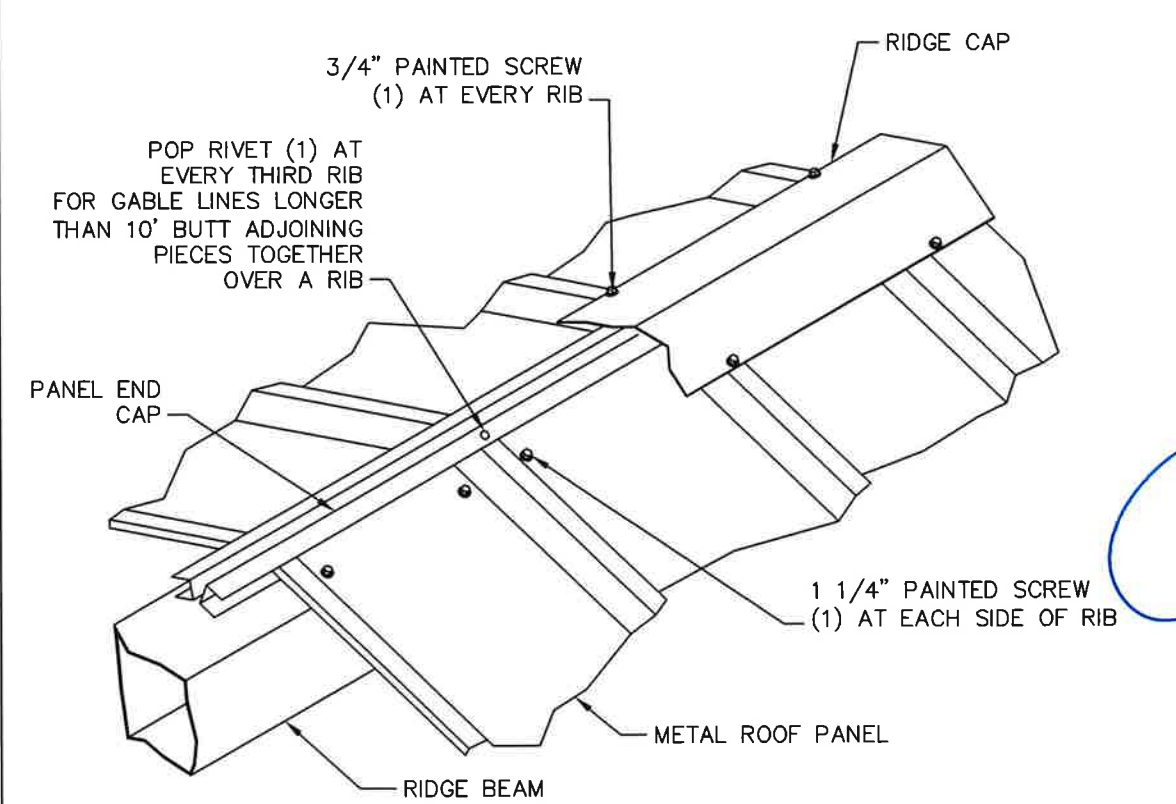
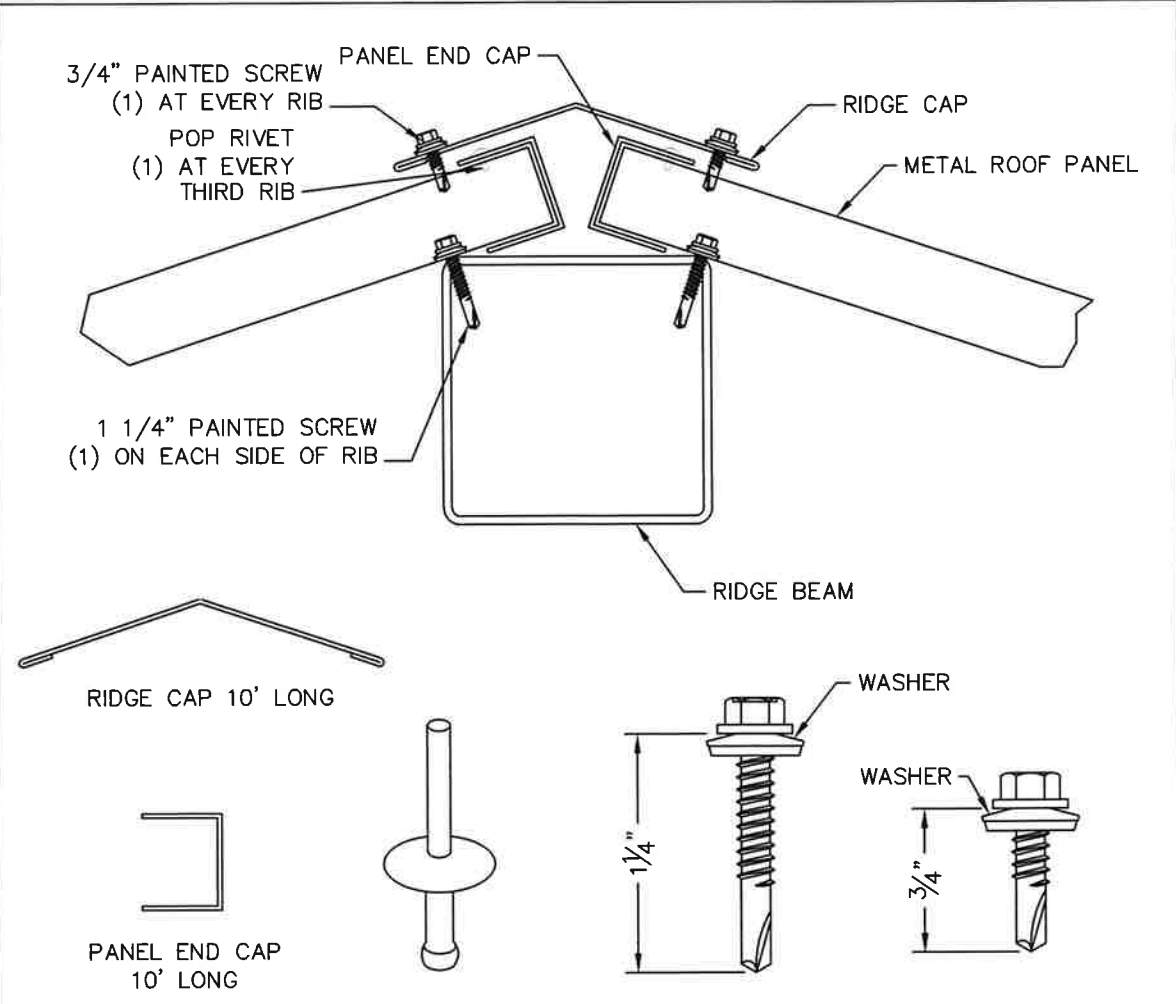


METAL ROOF EAVE CONNECTION DETAIL M-E1

DWG: Jobs\7976\RI-000003-7976.dwg



METAL ROOF HIP CONNECTION DETAIL M-H1



METAL ROOF CONNECTION AT RIDGE M-G1

**ICON**  
Shelter Systems Inc  
DISTINCTIVE STEEL SHELTERS  
WWW.ICONSHelters.COM  
COPYRIGHT 2004, ICON SHELTER SYSTEMS, INC.  
1455 LINCOLN AVE.  
HOLLAND MI, 49423  
616.396.0919  
800.748.0985  
616.396.0944 FX

ROOF DETAILS

DRAWN BY:  
JMD  
DATE:  
7/26/2023  
JOB NO.:  
7976  
REVISION:  
C

BUILDING TYPE:  
RH20X30M-P4  
PROJECT NAME:  
BENHAVEN  
COMMUNITY CENTER  
SANFORD, NC  
27332



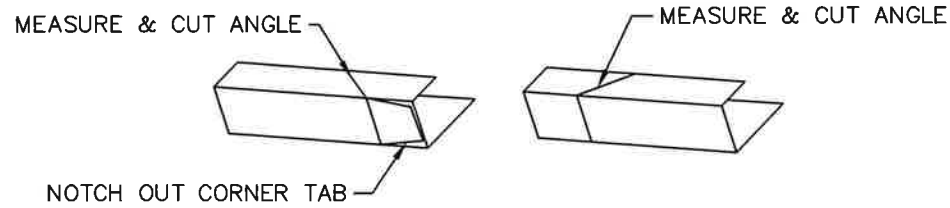
SHEET  
R1.2

THIS SEAL PERTAINS ONLY TO THE MATERIALS AND INFORMATION SHOWN ON THESE DRAWINGS. THIS SEAL DOES NOT SERVE AS - OR REPRESENT - THE PROJECT ENGINEER OF RECORD AND SHALL NOT BE CONSTRUED AS SUCH.

DWG: Jobs\7976\RI~000003-7976.dwg

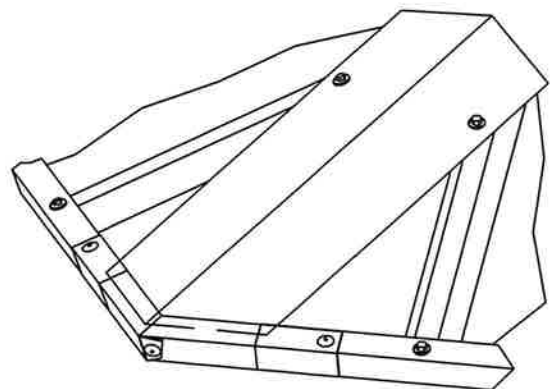
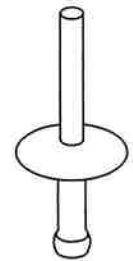
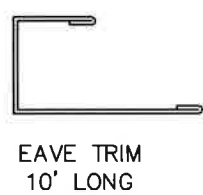
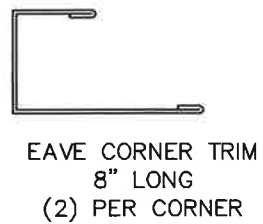
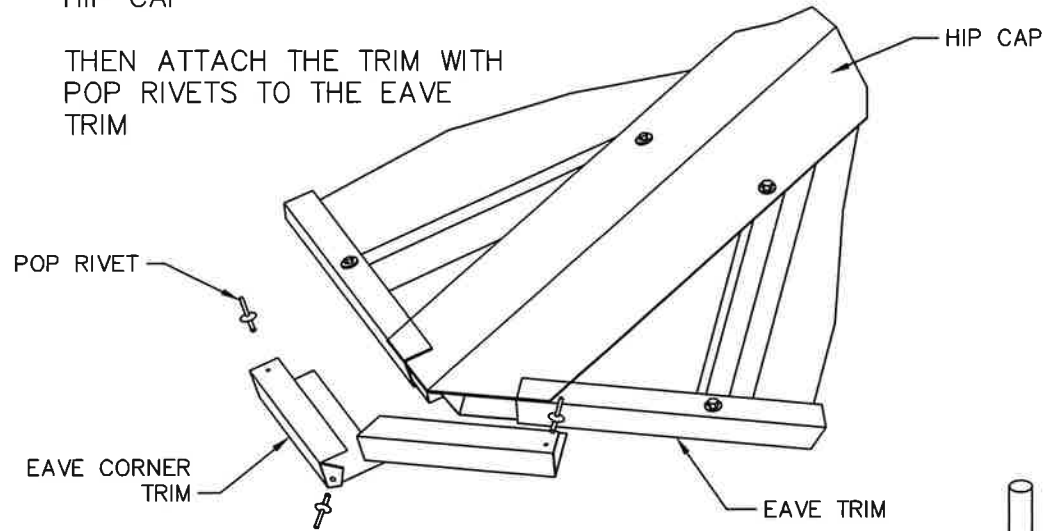
CUT A MITER AND CORNER TAB ON (1) OF THE EAVE CORNER PIECES

CUT AN OPTIONAL MITER ON THE SECOND EAVE CORNER



SLIDE THE EAVE CORNER TRIM OVER THE EAVE TRIM AND HIP CAP

THEN ATTACH THE TRIM WITH POP RIVETS TO THE EAVE TRIM



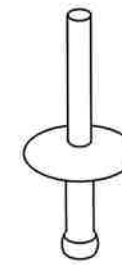
METAL ROOF EAVE CORNER CONNECTION DETAIL

M-M2



EAVE TRIM W/ WEEP HOLES  
10' LONG

SPLICE CHANNEL  
5 1/2" LONG

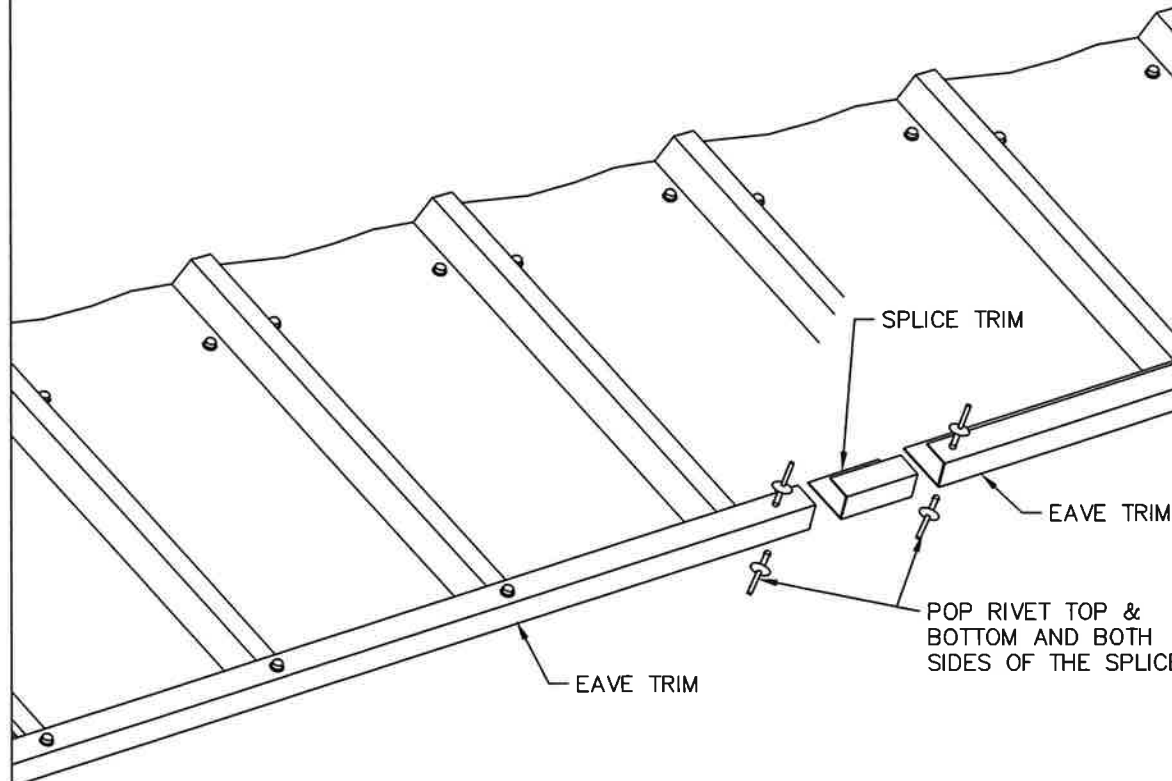
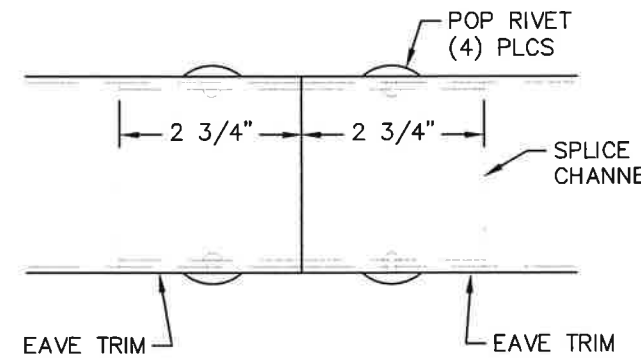


THIS CONNECTION IS ONLY REQUIRED ON SHELTERS WITH EAVES LONGER THAN 10'

SLIDE THE SPLICE TRIM INTO THE EAVE TRIM APPROXIMATELY 2 3/4"

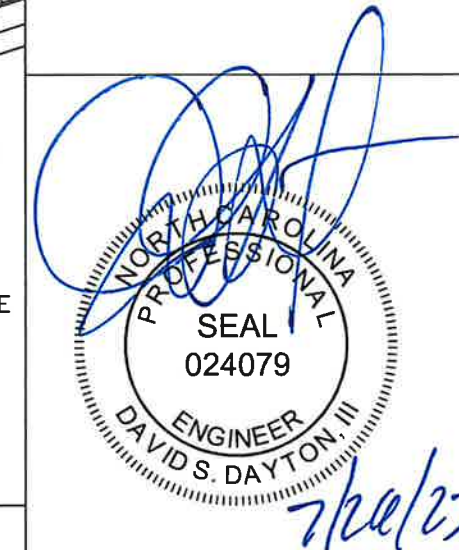
POP RIVET TOP & BOTTOM AND BOTH SIDES OF THE SPLICE

SPLICES ARE NOT GUARANTEED TO FALL IN THE CENTER OF THE EAVE



METAL ROOF EAVE SPLICE CONNECTION DETAIL

M-S1



THIS SEAL PERTAINS ONLY TO THE MATERIALS AND INFORMATION SHOWN ON THESE DRAWINGS. THIS SEAL DOES NOT SERVE AS - OR REPRESENT - THE PROJECT ENGINEER OF RECORD AND SHALL NOT BE CONSTRUED AS SUCH.

**ICON**  
Shelter Systems Inc  
DISTINCTIVE STEEL SHELTERS  
WWW.ICONSHelters.COM  
COPYRIGHT 2004, ICON SHELTER SYSTEMS, INC.  
1455 LINCOLN AVE.  
HOLLAND MI, 49423  
616.396.0919  
800.748.0985  
616.396.0944 FX

ROOF DETAILS

DRAWN BY:

JMD

DATE:

7/26/2023

JOB NO.:

7976

REVISION:

C

BUILDING TYPE:

RH20X30M-P4

PROJECT NAME:

BENHAVEN  
COMMUNITY CENTER  
SANFORD, NC  
27332

SHEET

R1.3

PRINTED ON: 7/26/2023

DWG: Jobs \7976\RI-000003-7976.dwg