

STRUCTURAL NOTES

BUILDER / CONTRACTOR IS RESPONSIBLE FOR ENSURING THAT PLANS AND SPECIFICATIONS COMPLY WITH APPLICABLE REQUIREMENTS OF ANY GOVERNING BUILDING AUTHORITY.

METAL BUILDING STRUCTURE DESIGNED PER THE FOLLOWING LOADING:

CODE: IBC 2018
 WIND: 105 MPH EXPOSURE C WINDLOAD
 ROOF LIVE LOAD: 20 PSF ROOF LIVE LOAD
 SEISMIC DESIGN CATEGORY (SDC): C / SEISMIC COEFFICIENT: 0.32
 GROUND SNOW LOAD: 10 PSF (MAX) GROUND SNOW LOAD
 ROOF SNOW LOAD: 8.4 PSF (MAX) ROOF SNOW LOAD
 COLLATERAL LOAD: 0.5 PSF (MAX) COLLATERAL LOAD

DESIGN LOADS DESIGNATED WITHIN CONTRACT AND DRAWINGS DO NOT ALLOW FOR ANY TYPE OF SUSPENDED SYSTEM (E.G. LIGHTS, INSULATION, DUCT WORK, PIPING, ETC.) GREATER THAN THE COLLATERAL LOAD SHOWN. SUSPENSION OF ANY LOAD INDUCING SYSTEM GREATER THAN 0.5 PSF IS EXPLICITLY PROHIBITED UNLESS A CORRESPONDING REDUCTION IN CERTIFIED LIVE/SNOW LOADS CAN BE PERMITTED BY CODE.

DESIGN AND SPECIFICATION OF BASE STEEL TO CONCRETE SLAB ANCHORING IS NOT THE RESPONSIBILITY OF THE BUILDING MANUFACTURER. WEDGE ANCHORS SUPPLIED WITH THE BUILDING PACKAGE ARE SUITABLE FOR MOST SELF STORAGE APPLICATIONS HOWEVER, THE FINAL FOUNDATION DESIGN (DEPTH, STRENGTH, MIX, ETC.) WILL DETERMINE ACTUAL ANCHOR REQUIREMENTS.

BUILDING MANUFACTURER ASSUMES NO RESPONSIBILITY FOR CONCRETE SLAB FOUNDATION DESIGN, THICKNESS, MATERIALS, SITE SOIL CONDITIONS OR OTHER CONCRETE/MASONRY CONSTRUCTION.

ALL STRUCTURAL CONNECTIONS ARE TO BE MADE PER FASTENING DETAILS PRESENTED HEREIN. ALL STEEL FRAMING AND SHEETING MATERIALS MUST BE INSTALLED TO VERTICAL PLUMB AND HORIZONTALLY LEVEL.

THE BUILDING MANUFACTURER AND THE PROFESSIONAL ENGINEER SEALING THESE DRAWINGS ARE NOT THE PROFESSIONAL ENGINEER OF RECORD FOR THE ENTIRE PROJECT. THE PROFESSIONAL ENGINEER'S SEAL PERTAINS ONLY TO THE STRUCTURAL DESIGN OF THE METAL BUILDING SYSTEM. IT DOES NOT APPLY TO THE FOUNDATION SYSTEM, MASONRY DESIGN OR ANY OTHER ASPECT OF THE PROJECT UNLESS SPECIFICALLY STATED IN THESE DOCUMENTS.

JOBSITE / FIELD CONDITIONS NOTES:

BUILDING MANUFACTURER ASSUMES NO RESPONSIBILITY FOR ANY LOADS TO STRUCTURE NOT INDICATED AT THE TIME OF PURCHASE. ANY ALTERATIONS TO THE STRUCTURAL SYSTEM, REMOVAL OF ANY COMPONENT PARTS OR THE ADDITION OF OTHER CONSTRUCTION MATERIALS OR LOADS MUST BE DONE UNDER THE DIRECTION OF REGISTERED ARCHITECT, CIVIL OR STRUCTURAL ENGINEER.

ALL CONCRETE AND MASONRY CONSTRUCTION MUST BE FLAT, LEVEL AND SQUARE PER THE SLAB PLAN DIMENSIONS HEREIN.

ALL JOBSITE DIMENSIONS AND CONDITIONS SHALL BE FIELD VERIFIED BEFORE ERECTION OF BUILDING STRUCTURE.

ALL OMISSIONS, CONFLICTS AND DISCREPANCIES SHALL BE REPORTED TO THE BUILDING MANUFACTURER BEFORE PROCEEDING WITH PROJECT WORK.

ALL TEMPORARY SUPPORTS SUCH AS GUYS, BRACES, FALSEWORK, CRIBBING, WINDBRACES OR OTHER ELEMENTS REQUIRED FOR THE BUILDING ERECTION ARE TO BE DETERMINED BY AND SUPPLIED BY BUILDER/CONTRACTOR.

BUILDING MANUFACTURER HAS MADE A COMMITMENT TO MANUFACTURE QUALITY BUILDING COMPONENTS THAT CAN BE SAFELY ERECTED. JOB SITE SAFETY INSTRUCTION, SAFETY EQUIPMENT AND CONDITIONS ARE THE RESPONSIBILITY OF THE BUILDER/CONTRACTOR.

ALL COMPONENTS SHIPPED SHALL BE THOROUGHLY INSPECTED AND ACCOUNTED FOR AT THE TIME OF DELIVERY. ALL MATERIAL SHORTAGES OR DEFECTS MUST BE REPORTED WITHIN FIVE (5) WORKING DAYS OF MATERIAL DELIVERY TO THE BUILDING MANUFACTURER.

THE DIAPHRAGM SUPPORT OF THE INTERIOR PARTITION PANELS CONTRIBUTE TO THE STABILITY OF THE BUILDING BY TRANSFERRING LATERAL LOADS TO VERTICAL RESISTING MEMBERS. ANY MODIFICATION OR UNAUTHORIZED CUTTING OF INTERIOR PARTITION PANELS IS EXPRESSLY PROHIBITED BY THE BUILDING MANUFACTURER.

INSTALLATION NOTES:

FIELD CUTTING OF STRUCTURAL, SHEETING AND TRIMS FOR SPLICE AND FINAL FITTING OF COMPONENTS IS REQUIRED.

ALL ROOF PANEL LAPS SHALL BE SEALED WITH 3/8" (MINIMUM) WIDTH MASTIC TAPE AS PROVIDED FOR PROJECT. ALL SHEET PROFILE FOAM CLOSURES AT EAVE, WALL AND RIDGE CONDITIONS AS PROVIDED FOR PROJECT MUST BE INSTALLED AS SHOWN HEREIN.

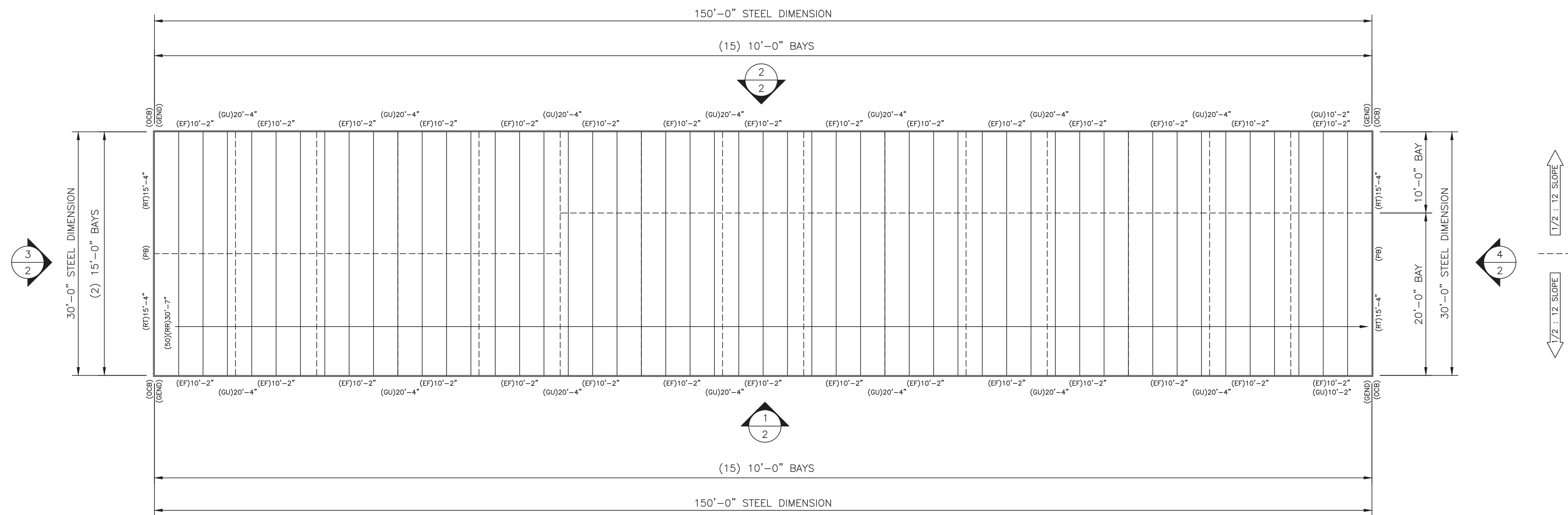
WALL PANELS AND WALL TRIMS, AT INTERIOR AND EXTERIOR, ARE TO BE SET WITH 1/4" CLEARANCE ABOVE CONCRETE SURFACES AND AT ANY LOCATIONS WHICH MAY BE SUBJECTED TO CONTACT WITH STANDING WATER.

LAP ALL FLASHINGS 2" MINIMUM AND SEAL AS REQUIRED FOR WATER TIGHTNESS

ALLOW 1/4" TOLERANCE AT EACH END FOR HEADERS AND GIRTS.

DRAWING INDEX

1	LEAD SHEET, GENERAL NOTES, SCHEDULES, KEY PLAN
2	SLAB PLAN, ELEVATIONS
3	FLOOR PLAN, FRAMING PLAN
4	PARTITION PLAN, ROOF PLAN
5	DETAILS
6	DETAILS
7	DETAILS
8	DETAILS



KEY PLAN
 scale = 1/8" = 1'-0"



PURLIN ABBREVIATIONS

(P4)	- Z42516R 2 1/2 X 4 X 2 1/2 X 16GA. ZEE	- ROOF PURLIN
------	---	---------------

STANDARD ABBREVIATIONS

AFF	ABOVE FINISHED FLOOR	FT	FOOT OR FEET	REQD	REQUIRED
APPROX	APPROXIMATE	FTG	FOOTING	REINF	REINFORCED
BLDG	BUILDING	GA	GAUGE	RO	ROUGH OPENING
BLK	BLOCK	GALV	GALVANIZED	SECT	SECTION
BOT	BOTTOM	GC	GENERAL CONTRACTOR	SF	SQUARE FOOTAGE
C/L	CENTERLINE	GRND	GROUND	SIM	SIMILAR
CLG	CEILING	GR	GRADE	SQ	SQUARE
COL	COLUMN	GWB	GYPSPUM WALL BOARD	STD	STANDARD
CONC	CONCRETE	HORIZ	HORIZONTAL	STL	STEEL
CTR	CENTER	HT	HEIGHT	TGB	TOP OF BEAM
DBL	DOUBLE	INSUL	INSULATION	TOC	TOP OF CONCRETE
DET	DETAIL	INT	INTERIOR	TOS	TOP OF STEEL
DIA	DIAMETER	INFO	INFORMATION	TOW	TOP OF WALL
DWG	DRAWING	JT	JOINT	TS	TUBE STEEL
DIM	DIMENSION	MAX	MAXIMUM	TYP	TYPICAL
DR	DOOR	MIN	MINIMUM	UNO	UNLESS NOTED OTHERWISE
EA	EACH	MISC	MISCELLANEOUS	VAR	VARIES
EL	ELEVATION	MTL	METAL	VERT	VERTICAL
EXIST	EXISTING	NIC	NOT IN CONTRACT	VIF	VERIFY IN FIELD
EXP	EXPANSION	NTS	NOT TO SCALE	WO	WITHOUT
EXT	EXTERIOR	NA	NOT APPLICABLE	WT	WEIGHT
EIFS	EXTERIOR INSULATION AND FINISH SYSTEM	NO	NUMBER		
FOS	FACE OF BLOCK OR BRICK	OA	OVERALL		
FOS	FACE OF STEEL	OC	ON CENTER		
		OH	OPPOSITE HAND		
		OPP	OPPOSITE		
		PTN	PARTITION		
		RAD	RADIUS		
		REF	REFERENCE		

FASTENER ABBREVIATIONS

(F1)	- 1/2" X 2 3/4" CONC. EXPANSION ANCHOR	- BASE TO SLAB CONNECTIONS
(F2)	- 12 X 1 SELF-DRILLING TEK (PLTD)	- STRUCTURAL STEEL CONNECTIONS
(F2)	- 12 X 1 SELF-DRILLING TEK (PLTD)	- PARTITION SHEETING
(F4)	- 12 X 2 SELF-DRILLING TEK (PLTD)	- PARTITION ANGLE CONNECTIONS
(F5)	- 12 X 1 1/4 WASHER TEK (PTD)	- EXTERIOR WALL SHEETING
(F6)	- 12 X 1 1/4 WASHER ZAC (PTD)(PLTD)	- ROOF SHEETING
(F7)	- 12 X 1 1/4 WASHER TEK (PTD)	- EXTERIOR TRIM DRILLER
(F8)	- 12 X 7/8 WASHER TEK (PTD)	- EXTERIOR WALL PANEL LAP
(F9)	- 12 X 7/8 WASHER ZAC (PTD)(PLTD)	- ROOF PANEL LAP
(F10)	- 12 X 7/8 WASHER TEK (PTD)	- EXTERIOR TRIM LAP
(F11)	- 1/8 POP RIVET	- EXTERIOR TRIM
(F13)	- 12 X 1 1/4 WASHER TEK (PTD)	- INTERIOR WALL SHEETING
(F13)	- 12 X 1 1/4 WASHER TEK (PTD)	- INTERIOR TRIM DRILLER
(F14)	- 12 X 7/8 WASHER TEK (PTD)	- INTERIOR WALL PANEL LAP
(F14)	- 12 X 7/8 WASHER TEK (PTD)(PLTD)	- INTERIOR TRIM LAP
(F17)	- 1/4"-14 X 1" SDS W/ WASHER #1(PLTD)	- "CL" CLIP/STRUCTURE CONNECTIONS
(F18)	- 1/4"-14 X 1 1/4" SDS ZAC W/WASHER #1E(PTD)(PLTD)	- "CL" ROOF DRILLER
(F19)	- 14 X 7/8" SDS ZAC W/ WASHER #4(PTD)(PLTD)	- "CL" ROOF LAP
(F20)	- 1/4"-14 X 1 1/4" SDS ZAC W/WASHER #1E(PTD)(PLTD)	- "CL" TRIM DRILLER
(F21)	- 14 X 7/8" SDS ZAC W/WASHER #4(PTD)(PLTD)	- "CL" TRIM LAP

4" STRUCTURE ABBREVIATIONS

(BA)	- B4216Z 4 X 2 X 16GA. ANGLE	- FLOOR BASE ANGLE
(BC)	- U42516Z 4 1/8 X 2 7/8 X 16GA. CHANNEL	- FLOOR BASE CHANNEL
(C4)	- C4216R 4 X 2 X 16GA. CEE	- 4" COLUMN
(C425)	- C42516R 4 X 2 1/2 X 16GA. CEE	- 4" COLUMN
(C435)	- C43516R 4 X 3 1/2 X 16GA. CEE	- 4" COLUMN
(DH)	- C4216R 4 X 2 X 16GA. CEE	- DOOR HEAD
(DJ)	- C43516R 4 X 3 1/2 X 16GA. CEE	- DOOR JAMB
(EC)	- U42514R 4 1/8 X 2 3/8 X 14GA. CHANNEL	- EAVE CHANNEL
(ES)	- E64316LR 4 X 6 X 3 X 16GA. STRUT	- EAVE STRUT
(JR)	- C62514R 6 X 2 1/2 X 14GA. CEE	- FLOOR CLIP
(G)	- C4216R 4 X 2 X 16GA. CEE	- GIRT
(HA)	- B4216R 4 X 2 X 16GA. ANGLE	- HALL TOP ANGLE
(HR)	- C4216R 4 X 2 X 16GA. CEE	- DOOR HEAD REINFORCEMENT
(JR)	- C62514R 6 X 2 1/2 X 14GA. CEE	- RAFTER
(M)	- C12416R 12 X 4 X 16GA. CEE	- DOOR MULLION
(MC)	- B5216R 5 X 2 X 2" LONG 16GA. ANGLE	- MINI CLIP
(PA)	- B4216R 4 X 2 X 16GA. ANGLE	- PARTITION ANGLE
(RA)	- B4216R 4 X 2 X 16GA. ANGLE	- RAKE ANGLE
(RS)	- E64316LR 4 X 6 X 3 X 16GA. STRUT	- RIDGE STRUT

SHEETING ABBREVIATIONS

(ML)	- 29GA. M-LOC WALL PANEL
(RL)	- 29GA. R-LOC WALL PANEL
(PL)	- 29GA. PANEL-LOC WALL PANEL
(RR)	- 26GA. PBR ROOF PANEL
(RW)	- 26GA. PBR WALL PANEL
(CL18)	- 24GA. CENTRAL-LOC SSR 18" ROOF PANEL
(CL24)	- 24GA. CENTRAL-LOC SSR 24" ROOF PANEL

TRIM ABBREVIATIONS

(BTR)	- 7/8" ROLL MASTIC	(IN)	- R PANEL INSIDE CORNER TRIM
(BT)	- BASE TRIM	(JA)	- DOOR JAMB TRIM
(CLIN)	- R PANEL INSIDE FOAM CLOSURE	(JC)	- DOOR JAMB COVER TRIM
(CLOUT)	- R PANEL OUTSIDE FOAM CLOSURE	(MC)	- DOOR MULLION COVER TRIM
(CM)	- DOOR CORNER MULLION TRIM	(OCB)	- OUTSIDE CORNER BOX
(DK)	- DOWNSPOUT WITH KICK OUT	(OU)	- R PANEL OUTSIDE CORNER TRIM
(DSS)	- DOWNSPOUT STRAP	(PB)	- PEAK BOX
(EF)	- EAVE FLASHING	(REND)	- RAKE TRIM END CAP
(FRC)	- FORMED RIDGE CAP	(RT)	- RAKE TRIM
(GE)	- GUTTER END CAP	(TI)	- ROOF TIE IN TRIM
(GEOCEL)	- SEALANT	(TR)	- ROOF STEP TRANSITION FLASHING
(GS)	- GUTTER HANGER STRAP	(UN)	- FLAT RIDGE CAP
(GU)	- GUTTER	(4SP)	- 4OZ. TOUCH UP SPRAY PAINT
(HC)	- DOOR HEAD COVER TRIM		
(HE)	- DOOR HEAD TRIM		
(HI)	- HIGH EAVE TRIM		

ERECTOR NOTE:
 A DETAILED INSTALLATION GUIDE IS AVAILABLE AND SHOULD BE CONSULTED DURING THE ERECTION OF THIS BUILDING PACKAGE. PLEASE CONTACT US IF YOU HAVE NOT RECEIVED A COPY OF THE INSTALLATION GUIDE AND ONE WILL BE PROVIDED TO YOU.

CLOSURE NOTE:
 (100) INSIDE CLOSURES INCLUDED FOR LOW EAVE. INSTALL STR TAPE ON TOP AND BOTTOM OF INSIDE CLOSURE (SEE DETAILS AND INSTALLATION GUIDE)
 (20) INSIDE CLOSURES INCLUDED FOR BASE OF EXTERIOR WALL PANELS.
 (20) OUTSIDE CLOSURES INCLUDED FOR RAKE.

CONFIDENTIAL AND PROPRIETARY INFORMATION
 THESE DRAWINGS ARE THE SOLE AND EXCLUSIVE PROPERTY OF THE BUILDING MANUFACTURER. REPRODUCED, COPIED, OR TRANSMITTED IN ANY FORM OR BY ANY MEANS, WITHOUT THE WRITTEN PERMISSION OF THE BUILDING MANUFACTURER, IS EXPRESSLY PROHIBITED. THESE DRAWINGS ARE UNINTENTIONALLY LEFT OPEN TO CONSTRUCTION PROJECTS WITHOUT WRITTEN PERMISSION FROM THE BUILDING MANUFACTURER. THIS DOCUMENT AND ALL COPIES MUST BE RETURNED UPON DEMAND.

DATE	11/7/22
BY	BAJ
CONSTRUCTION FOR	
PRINTS ISSUED	

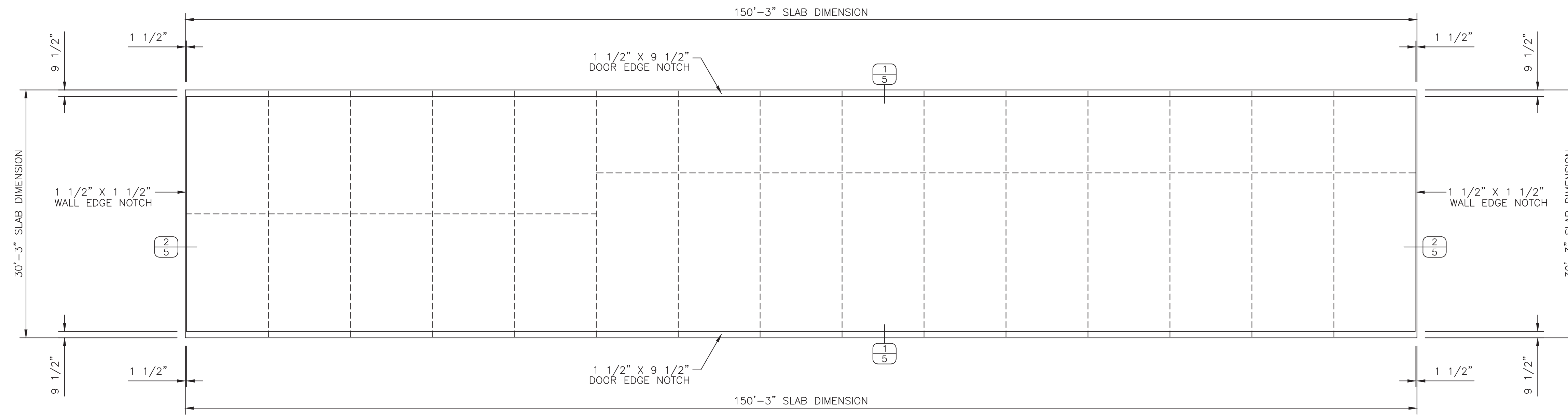
PROJECT: 30 x 150 x 8-6
 LOCATION: Sanford, NC 27332

Arco Building Systems
 3360 Holcomb Bridge Road, Suite 201
 Norcross, Georgia 30092
 Phone: 800-241-8339

DWG #22-43050-CL1

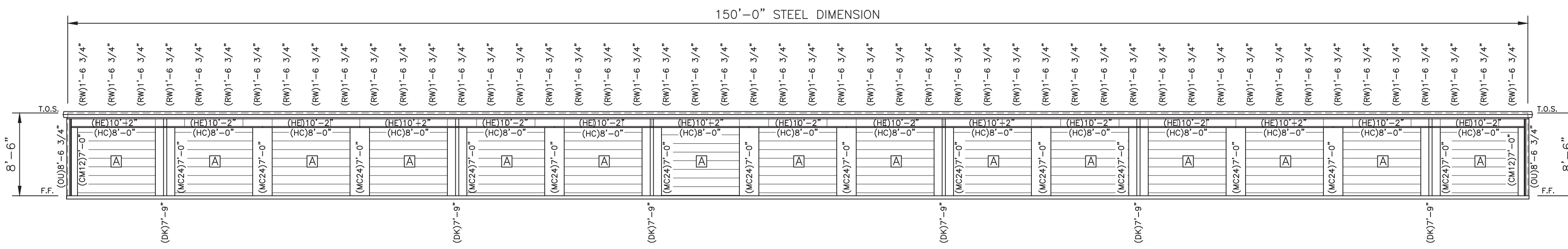
Sheet

1 of 8



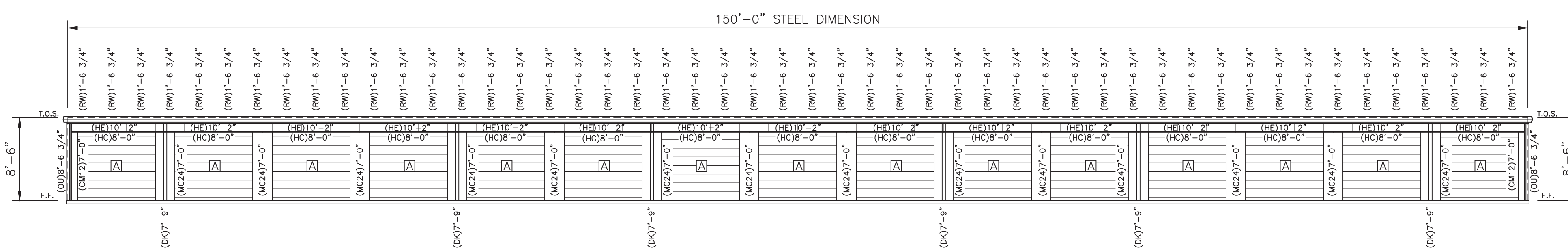
SLAB PLAN

scale - 1/8" = 1'-0"



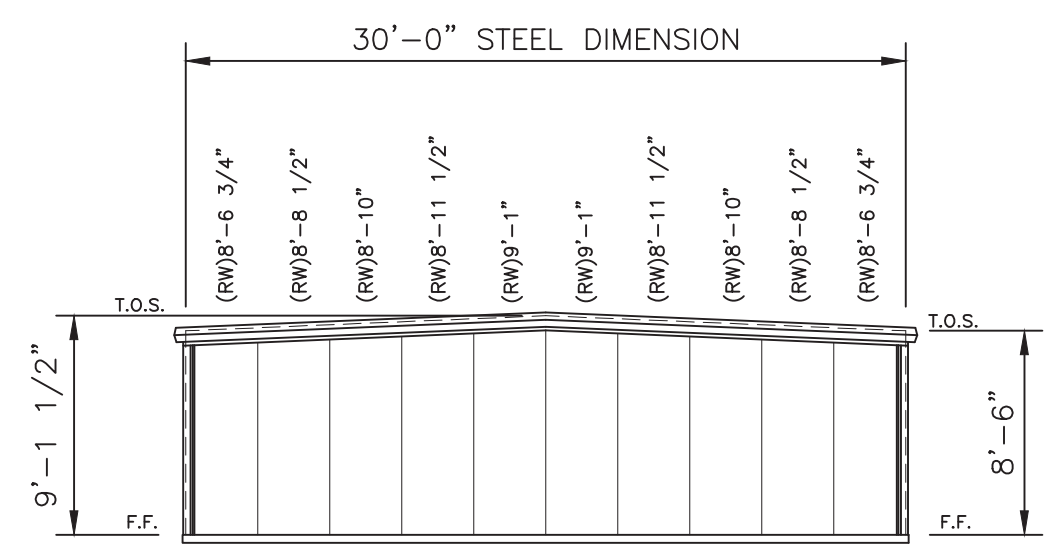
1 FRONT ELEVATION

scale - 1/8" = 1'-0"



2 REAR ELEVATION

scale - 1/8" = 1'-0"

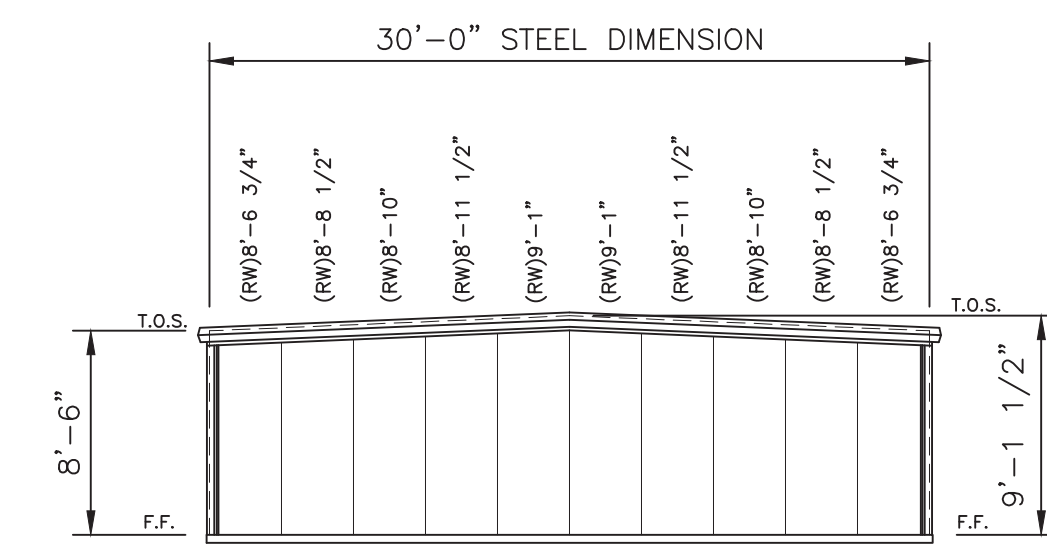


3 LEFT ELEVATION

scale - 1/8" = 1'-0"

DOOR SCHEDULE

A	(30) EACH 8'-0" X 7'-0" F/O ONLY
---	----------------------------------



4 RIGHT ELEVATION

scale - 1/8" = 1'-0"



DATE	11/7/22
BY	BAJ
CONSTRUCTION FOR	
PRINTS ISSUED FOR	

CONFIDENTIAL AND PROPRIETARY INFORMATION
 THESE DRAWINGS ARE THE SOLE AND EXCLUSIVE PROPERTY OF THE BUILDING MANUFACTURER. NO PART OF THESE DRAWINGS MAY BE REPRODUCED, COPIED, OR TRANSMITTED IN ANY FORM OR BY ANY MEANS, ELECTRONIC OR MECHANICAL, INCLUDING PHOTOCOPYING, RECORDING, OR BY ANY INFORMATION STORAGE AND RETRIEVAL SYSTEM, WITHOUT THE WRITTEN PERMISSION OF THE BUILDING MANUFACTURER. THIS DOCUMENT AND ALL COPIES MUST BE RETURNED UPON DEMAND.

PROJECT:
30 x 150 x 8-6

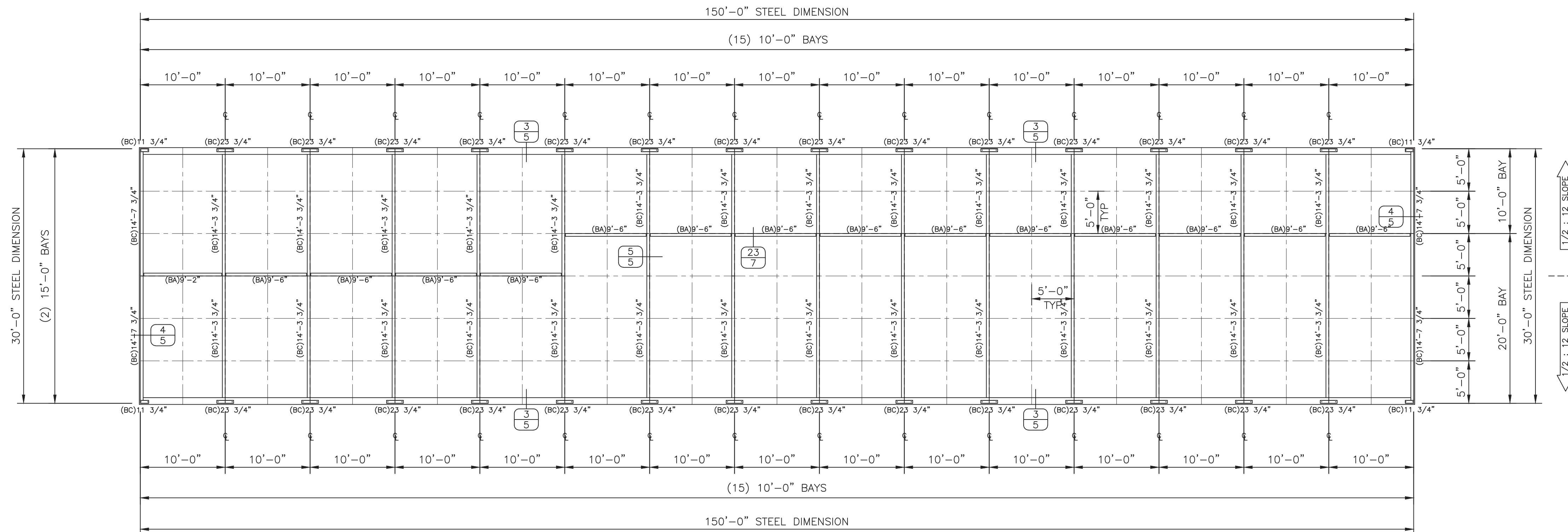
LOCATION:
Sanford, NC 27332

Arco Building Systems
 3300 Holcomb Bridge Road, Suite 201
 Norcross, Georgia 30092
 Phone: 800-241-8339

DWG #22-43050-CL1

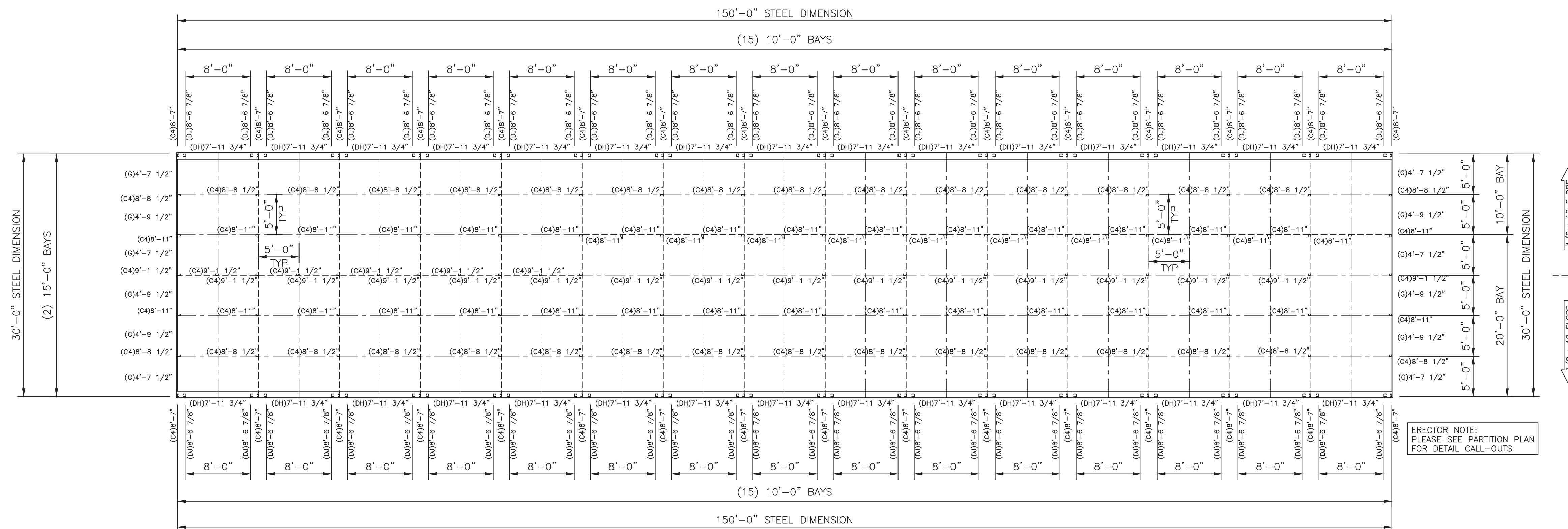
Sheet

2 of 8



FLOOR PLAN

scale - 1/8" = 1'-0"



FRAMING PLAN

scale - 1/8" = 1'-0"

ERECTOR NOTE:
PLEASE SEE PARTITION PLAN
FOR DETAIL CALL-OUTS

DATE	11/7/22
BY	BAJ
FOR	CONSTRUCTION
ISSUED	PRINTS

CONFIDENTIAL AND PROPRIETARY INFORMATION
 THESE DRAWINGS ARE THE SOLE AND EXCLUSIVE PROPERTY OF THE BUILDING MANUFACTURER. NO REPRODUCTION, STORAGE, RETRIEVAL, TRANSMISSION, OR DISSEMINATION OF THESE DRAWINGS IS PERMITTED WITHOUT THE WRITTEN PERMISSION OF THE BUILDING MANUFACTURER. THIS DOCUMENT AND ALL COPIES MUST BE RETURNED UPON DEMAND.

PROJECT: 30 x 150 x 8-6
 LOCATION: Sanford, NC 27332

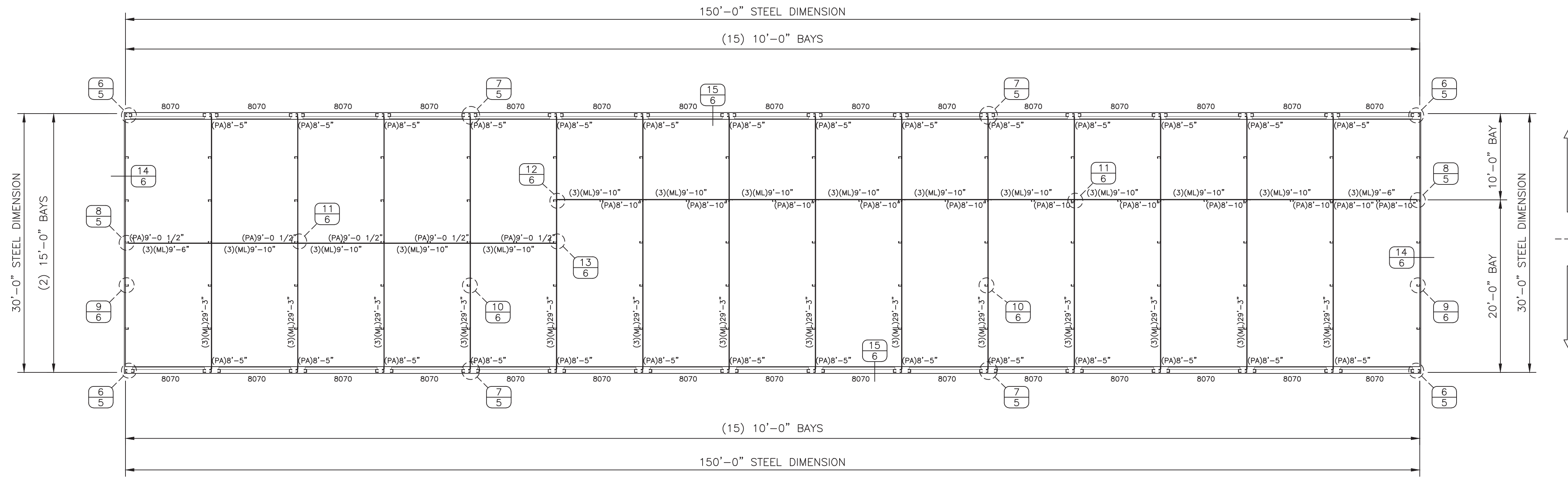
Arco
 Arco Building Systems
 3300 Holcomb Bridge Road, Suite 201
 Norcross, Georgia 30092
 Phone: 800-241-8339



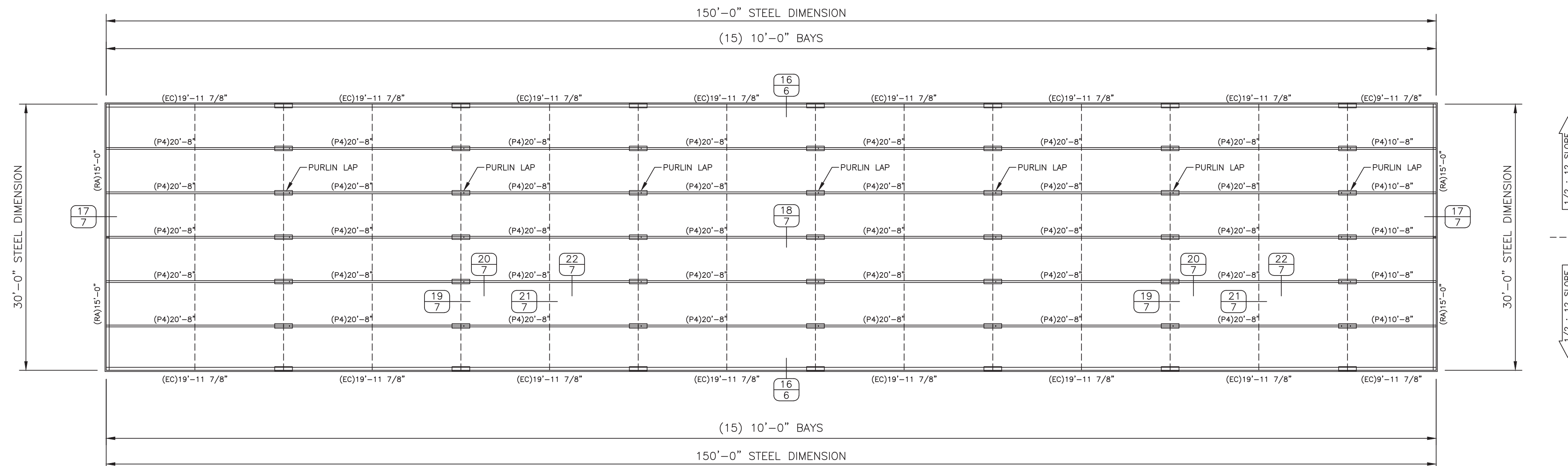
DWG #22-43050-CL1

Sheet

3 of 8



PARTITION PLAN
 scale - 1/8" = 1'-0"



ROOF PLAN
 scale - 1/8" = 1'-0"

DATE	11/7/22
BY	BAJ
FOR	CONSTRUCTION
PRINTS ISSUED	FOR

CONFIDENTIAL AND PROPRIETARY INFORMATION
 THESE DRAWINGS ARE THE SOLE AND EXCLUSIVE PROPERTY OF THE BUILDING MANUFACTURER. NO REPRODUCTION, STORAGE, RETRIEVAL, TRANSMISSION, OR DISSEMINATION OF THESE DRAWINGS IS PERMITTED WITHOUT THE WRITTEN PERMISSION OF THE BUILDING MANUFACTURER. THIS DOCUMENT AND ALL COPIES MUST BE RETURNED UPON DEMAND.

PROJECT: 30 x 150 x 8-6
 LOCATION: Sanford, NC 27332

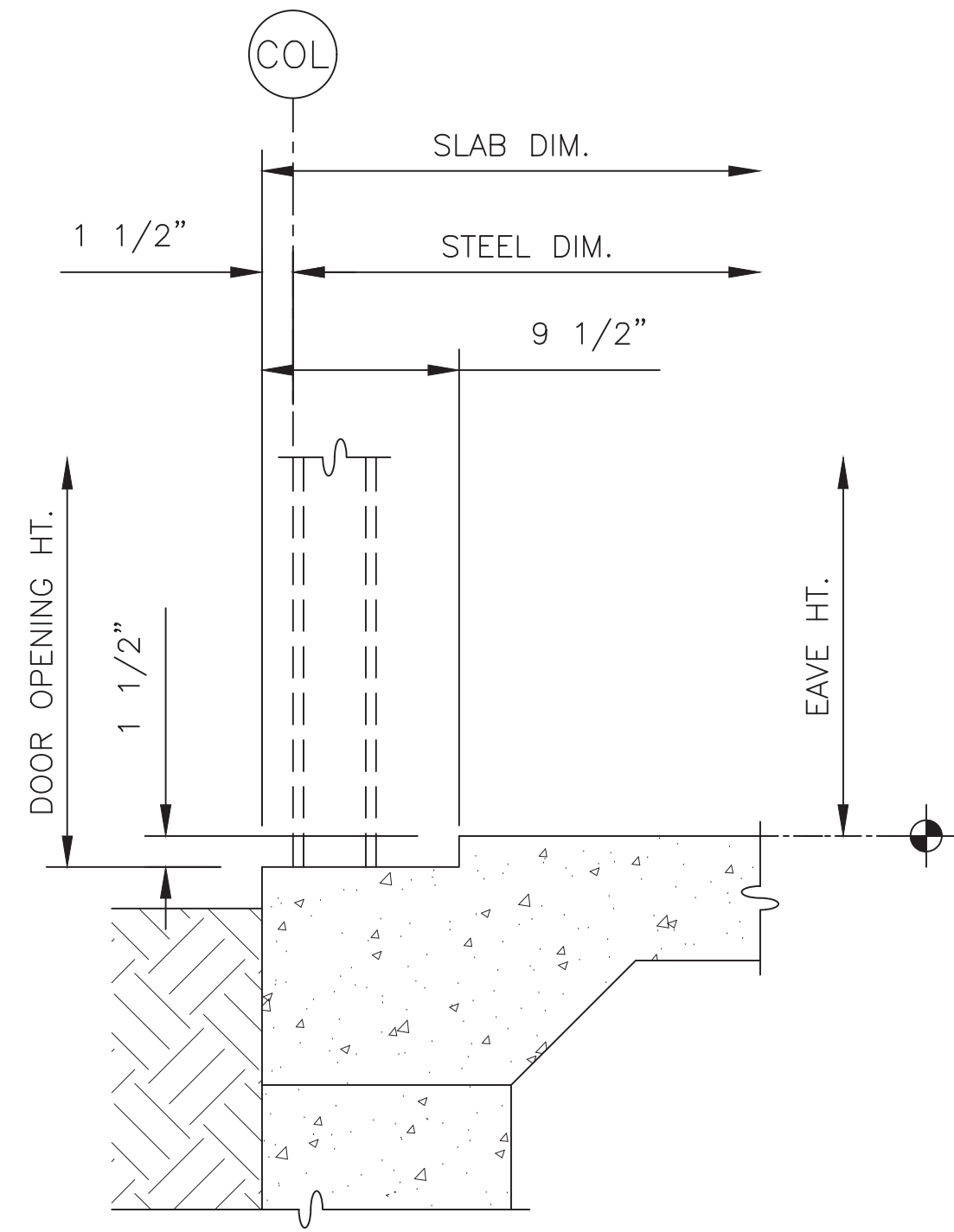
Arco
 Arco Building Systems
 3300 Holcomb Bridge Road, Suite 201
 Norcross, Georgia 30092
 Phone: 800-241-8339

DWG #22-43050-CL1

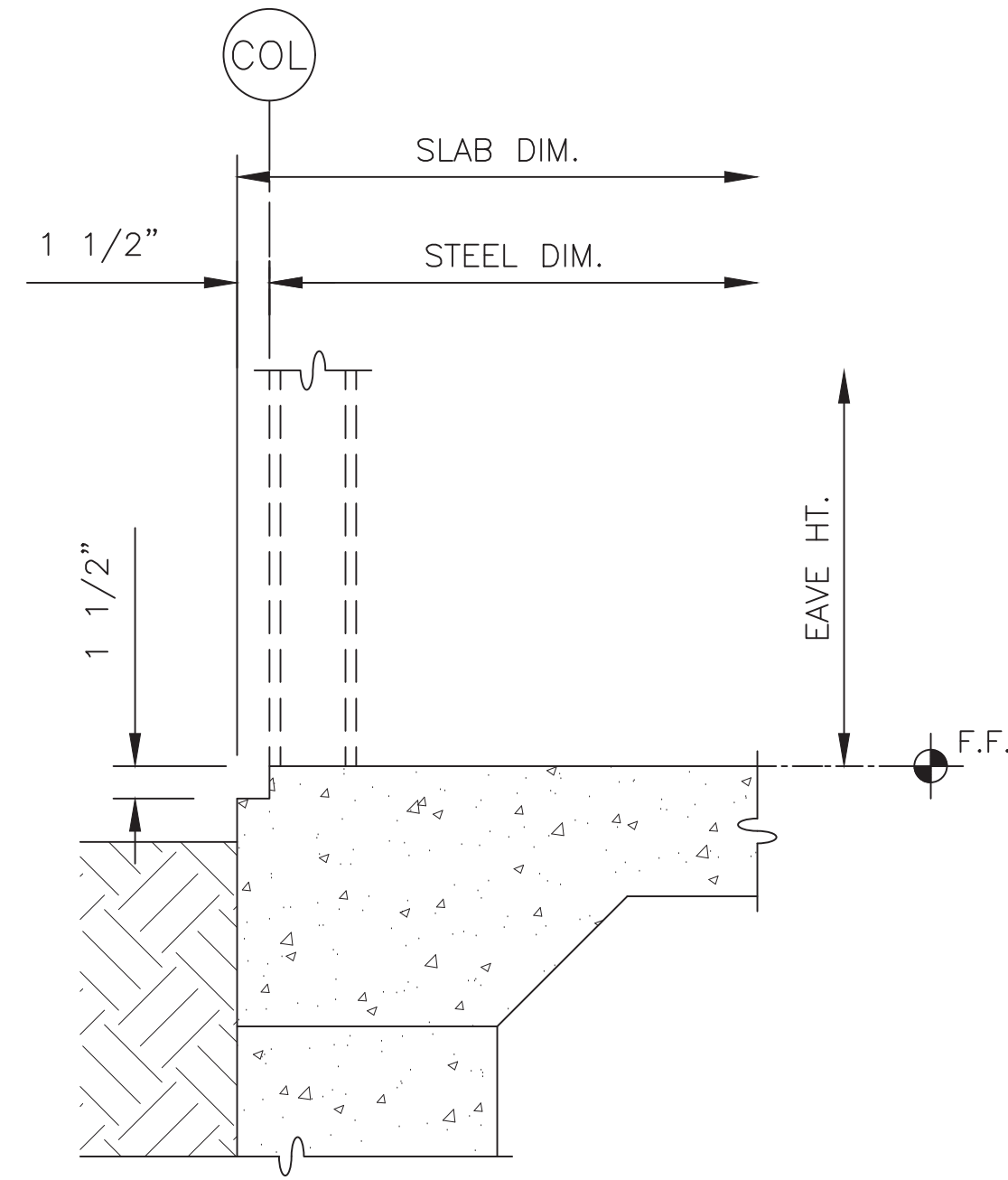
Sheet

4 of 8

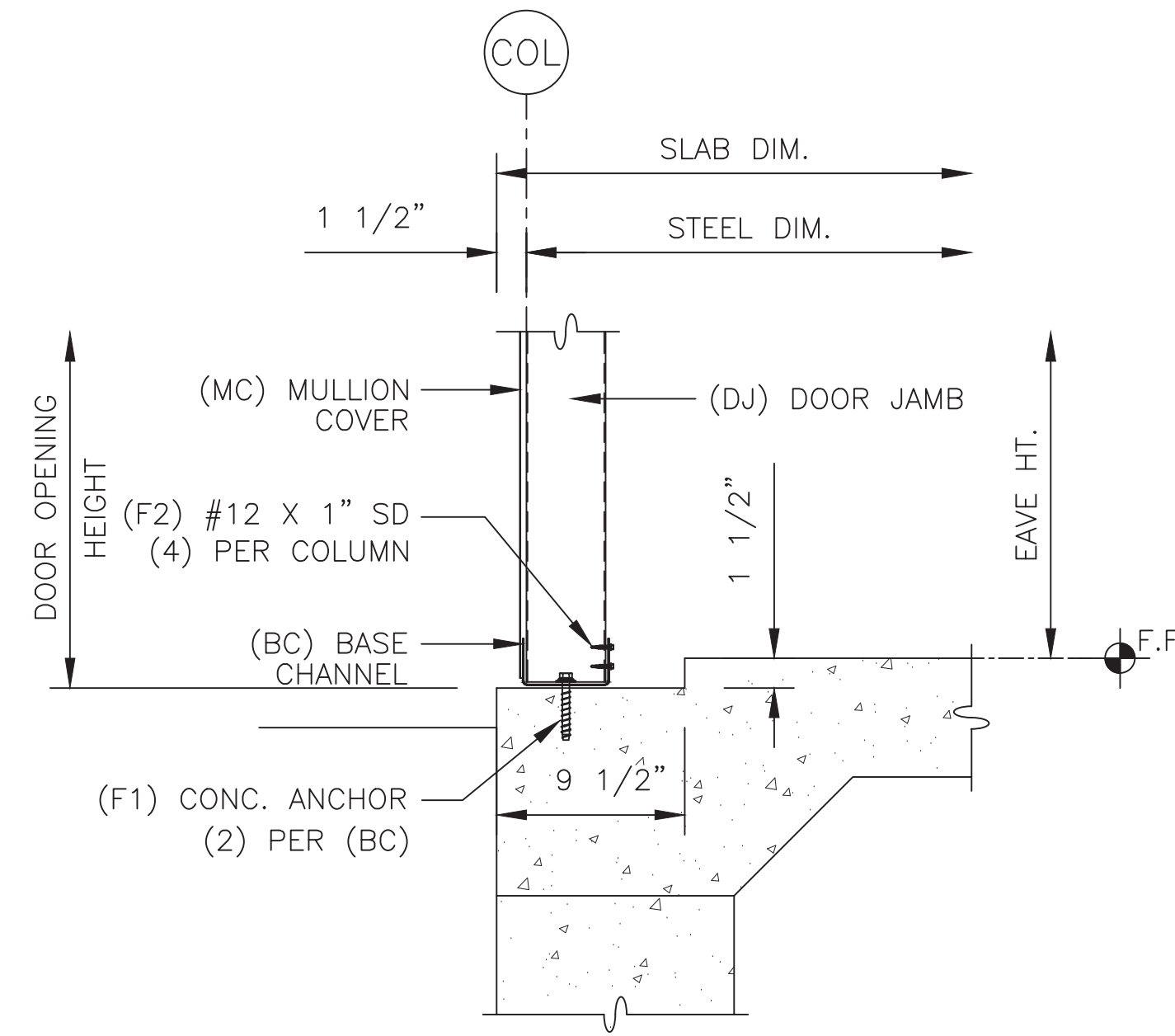




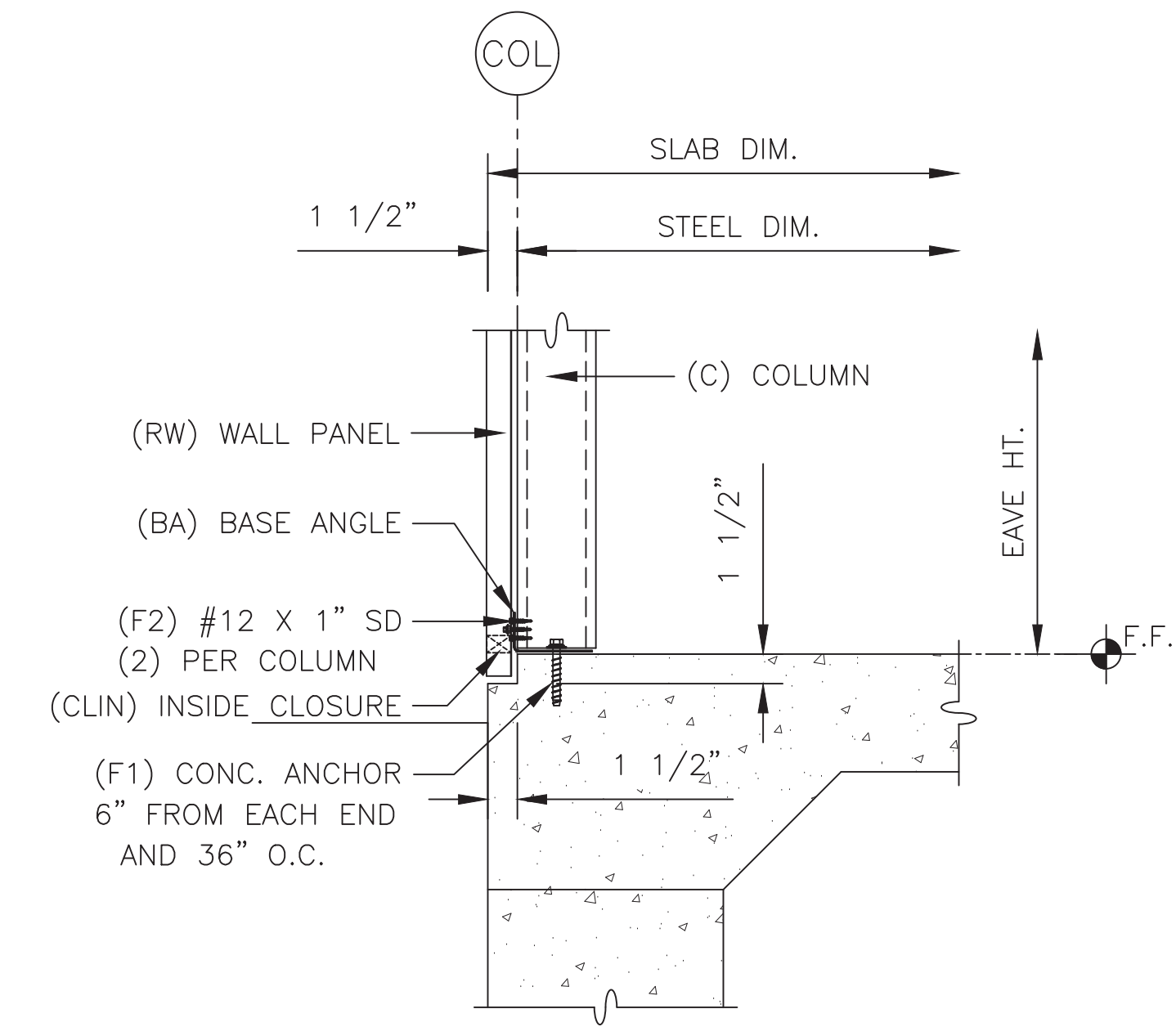
1 DOOR EDGE SLAB NOTCH
9 1/2" X 1 1/2" NOTCH



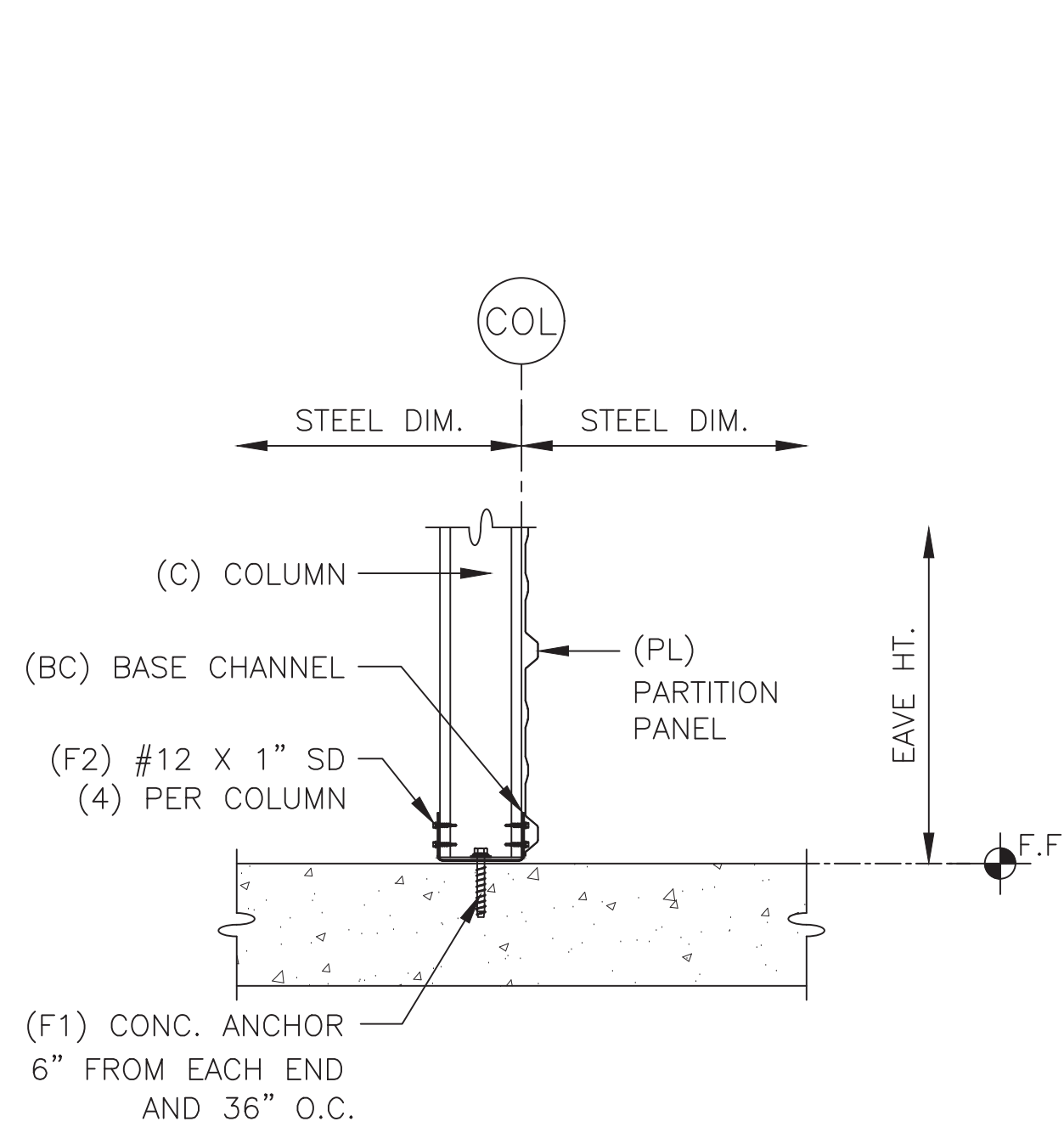
2 WALL EDGE SLAB NOTCH
1 1/2" X 1 1/2" NOTCH



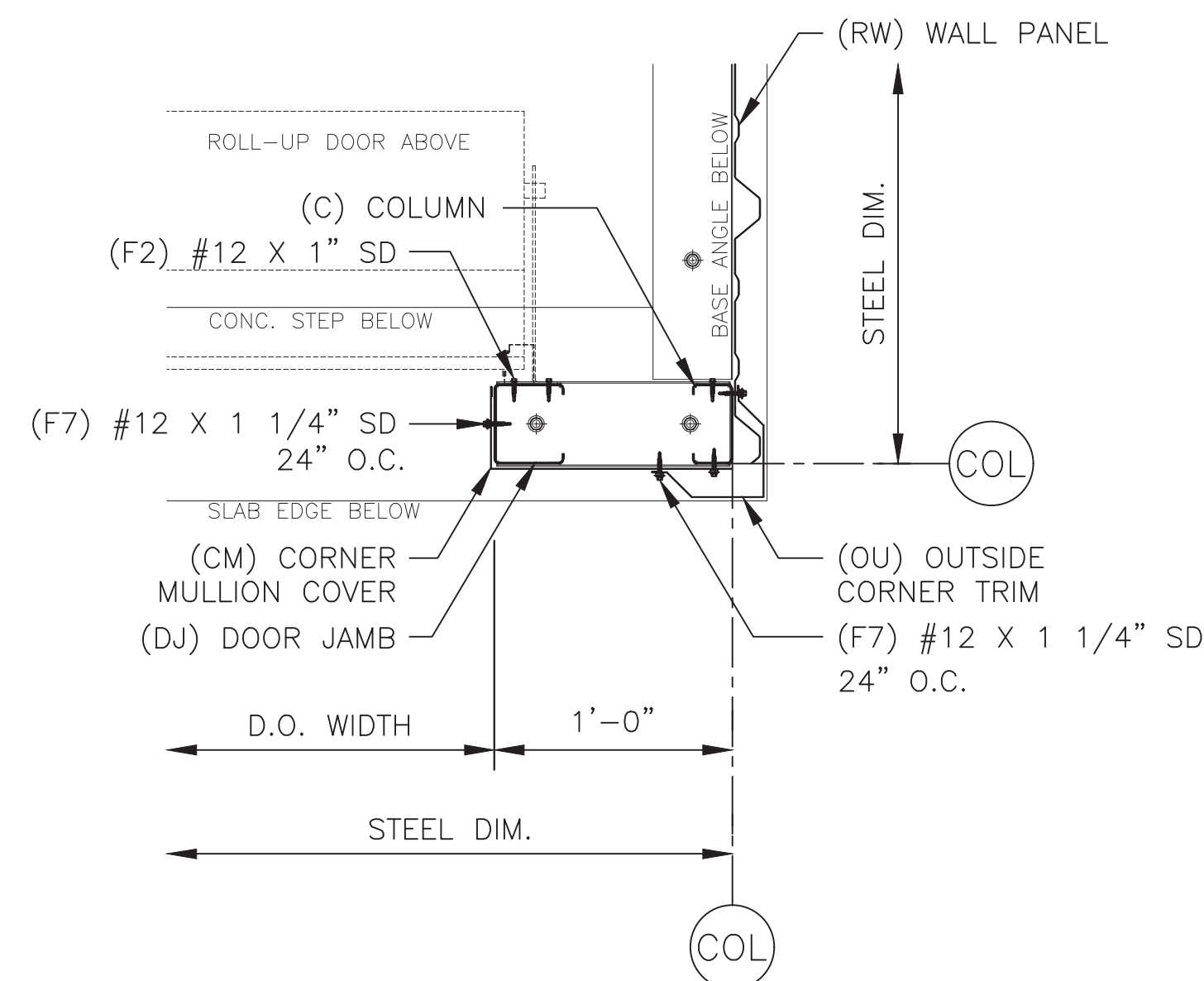
3 DOOR EDGE BASE



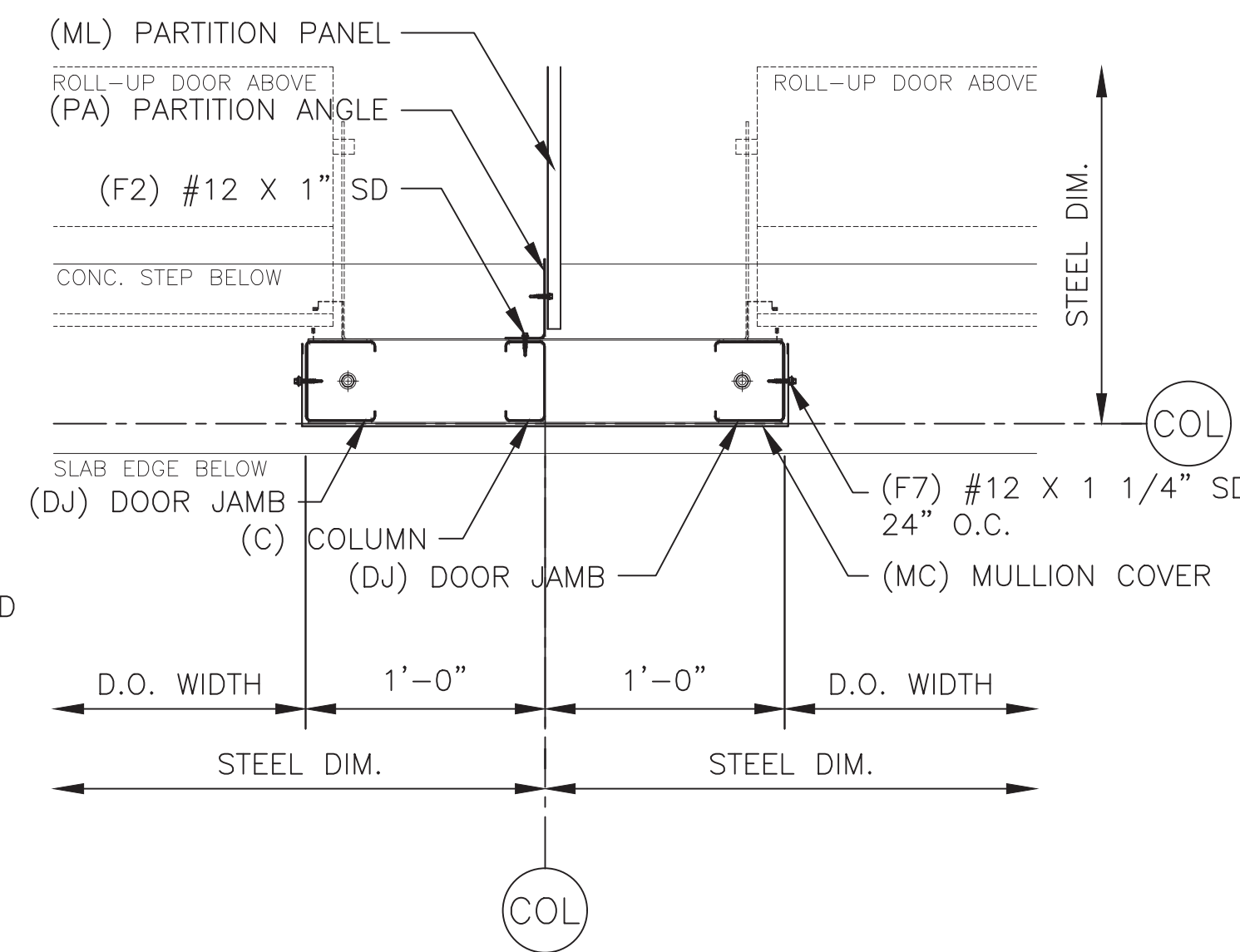
4 WALL EDGE BASE ANGLE



5 COLUMN FLOOR BASE CHANNEL

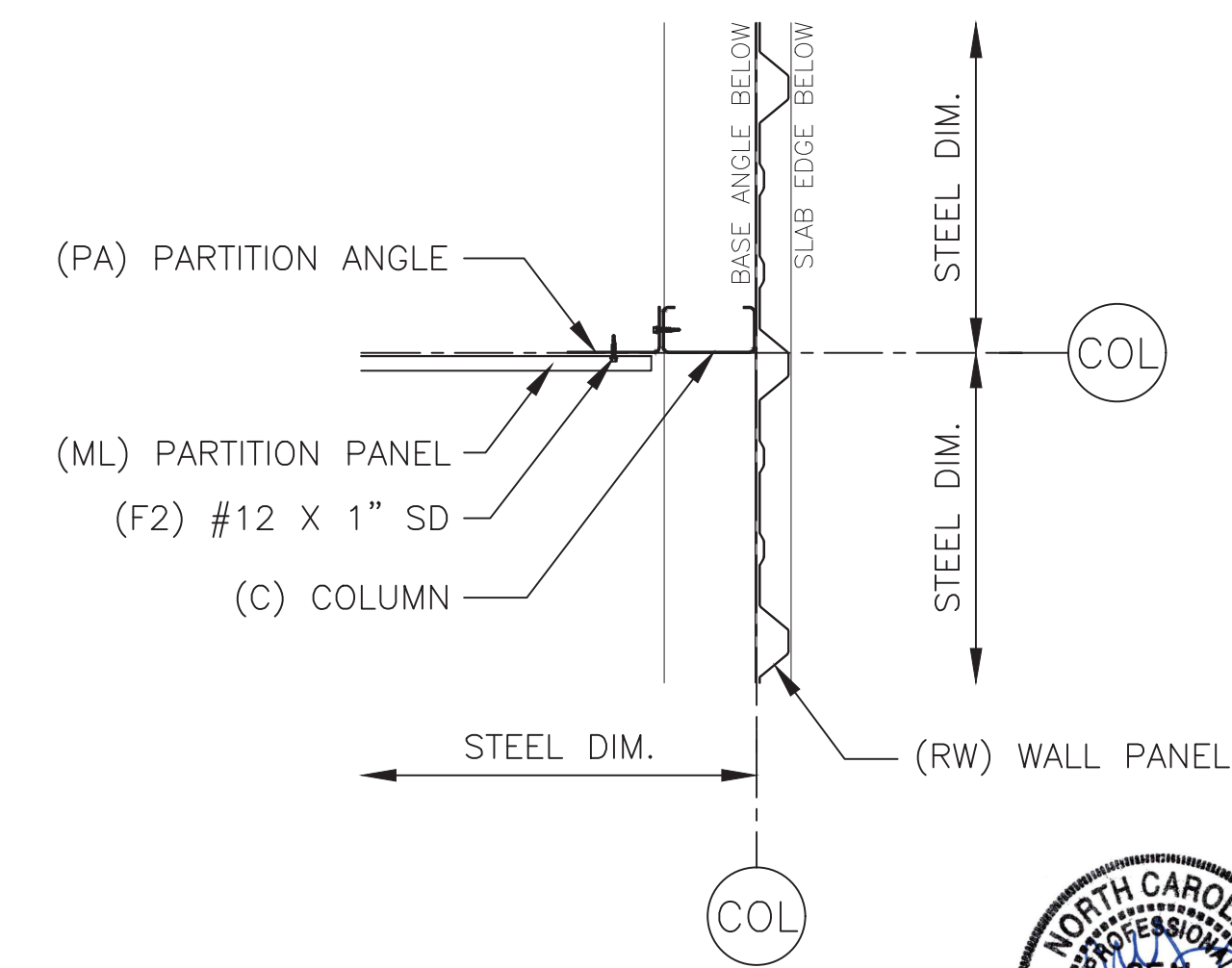


6 DOOR JAMB - 12" CORNER



ERECTOR NOTE:
BASE CHANNEL IS 1/4" SHORTER THAN MULLION.
CENTER BASE CHANNEL ON CENTERLINE OF BAY.

7 24" DOOR MULLION



8 WALL WITH PARTITION

CONFIDENTIAL AND PROPRIETARY INFORMATION
THESE DRAWINGS ARE THE SOLE AND EXCLUSIVE
PROPERTY OF THE BUILDING MANUFACTURER. SENSITIVE
INFORMATION CONTAINED HEREIN IS NOT TO BE
REPRODUCED, COPIED, OR DISCLOSED TO ANY OTHER
PERSON WITHOUT THE WRITTEN PERMISSION OF THE
BUILDING MANUFACTURER. THIS DOCUMENT AND ALL
COPIES MUST BE RETURNED UPON DEMAND.

PROJECT:
30 x 150 x 8-6
LOCATION:
Sanford, NC 27332

Arco
Arco Building Systems
3300 Holcomb Bridge Road, Suite 201
Norcross, Georgia 30092
Phone: 800-241-8339

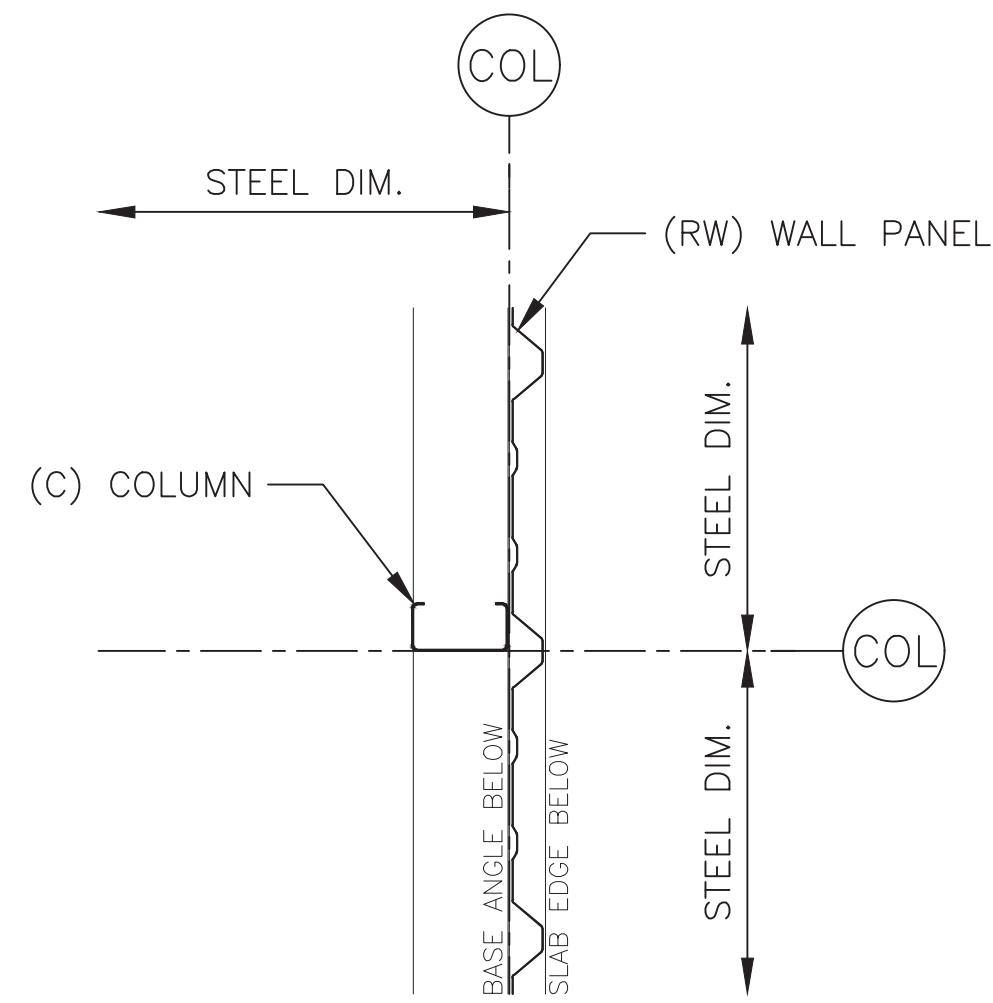


DWG #22-43050-CL1

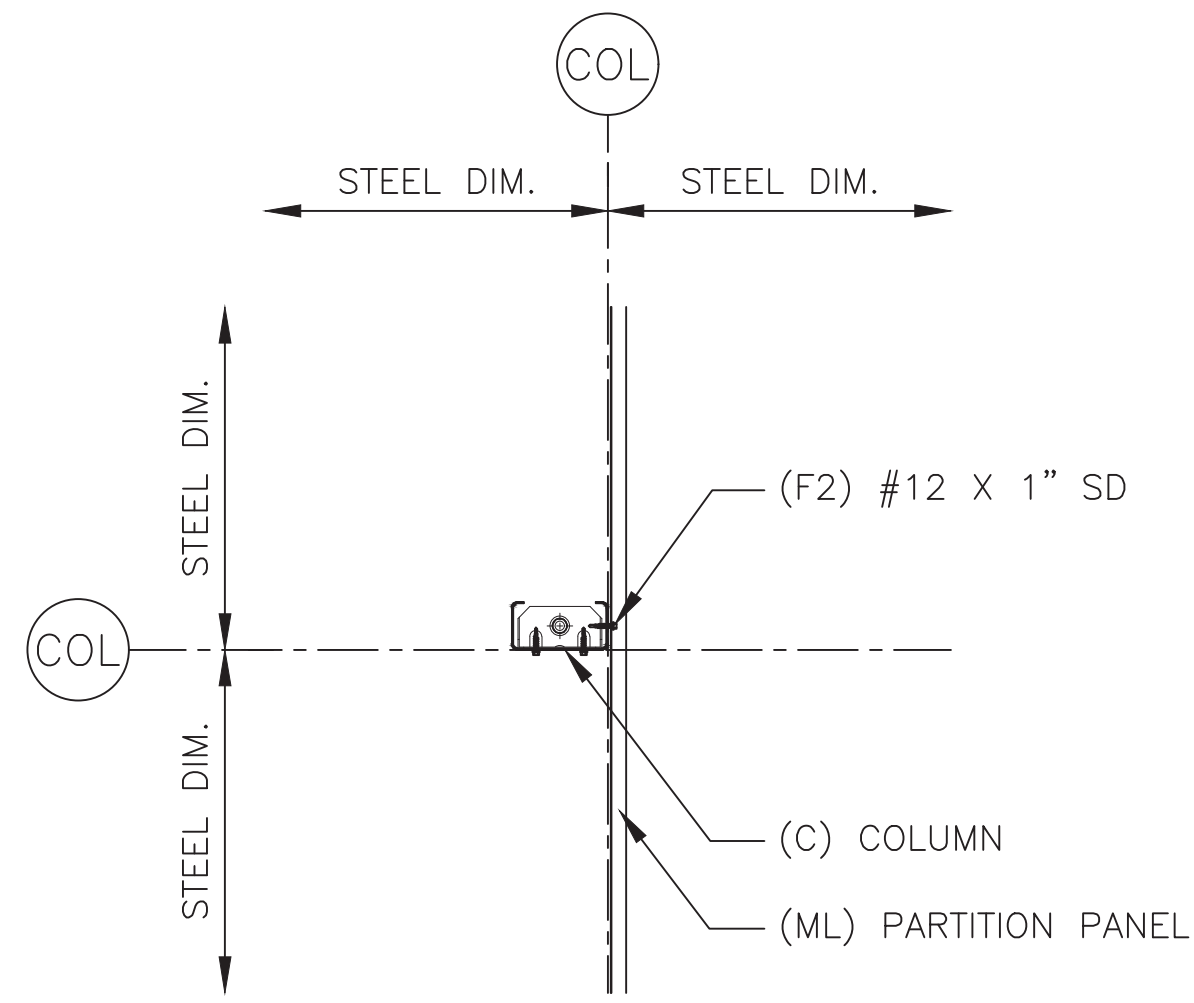
Sheet

5 of 8

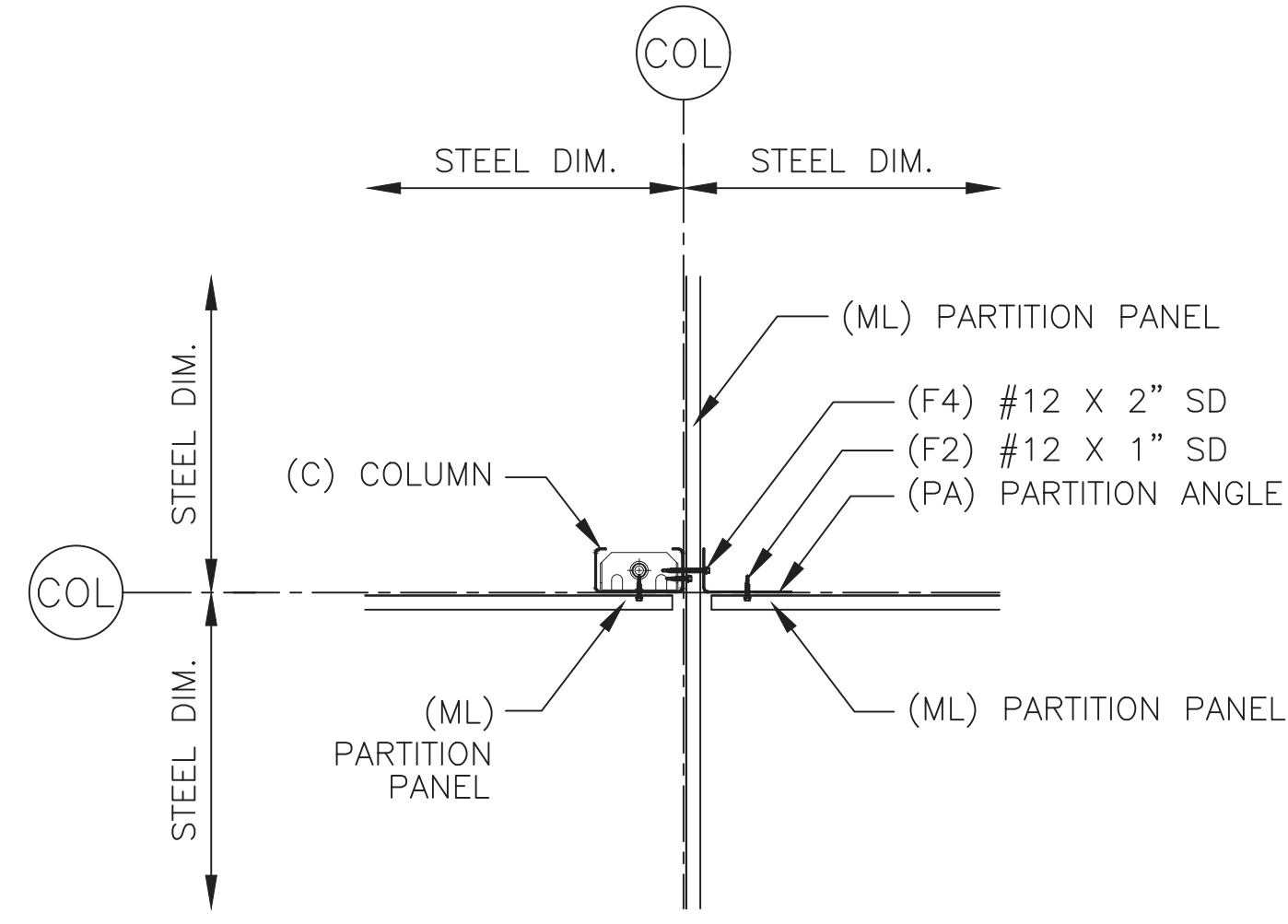
DATE	11/7/22
BY	BAJ
CONSTRUCTION FOR	
PRINTS ISSUED FOR	



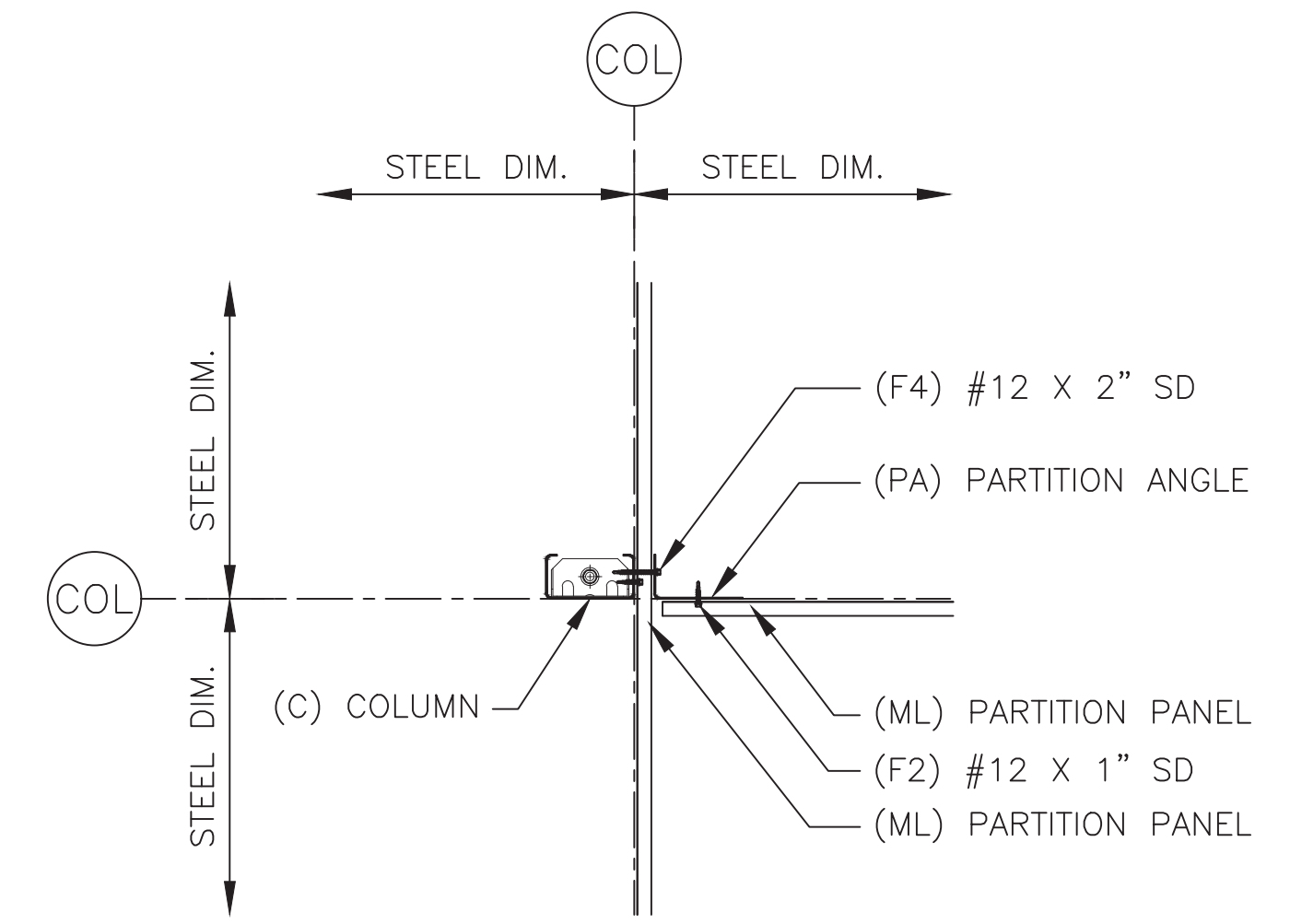
9 WALL



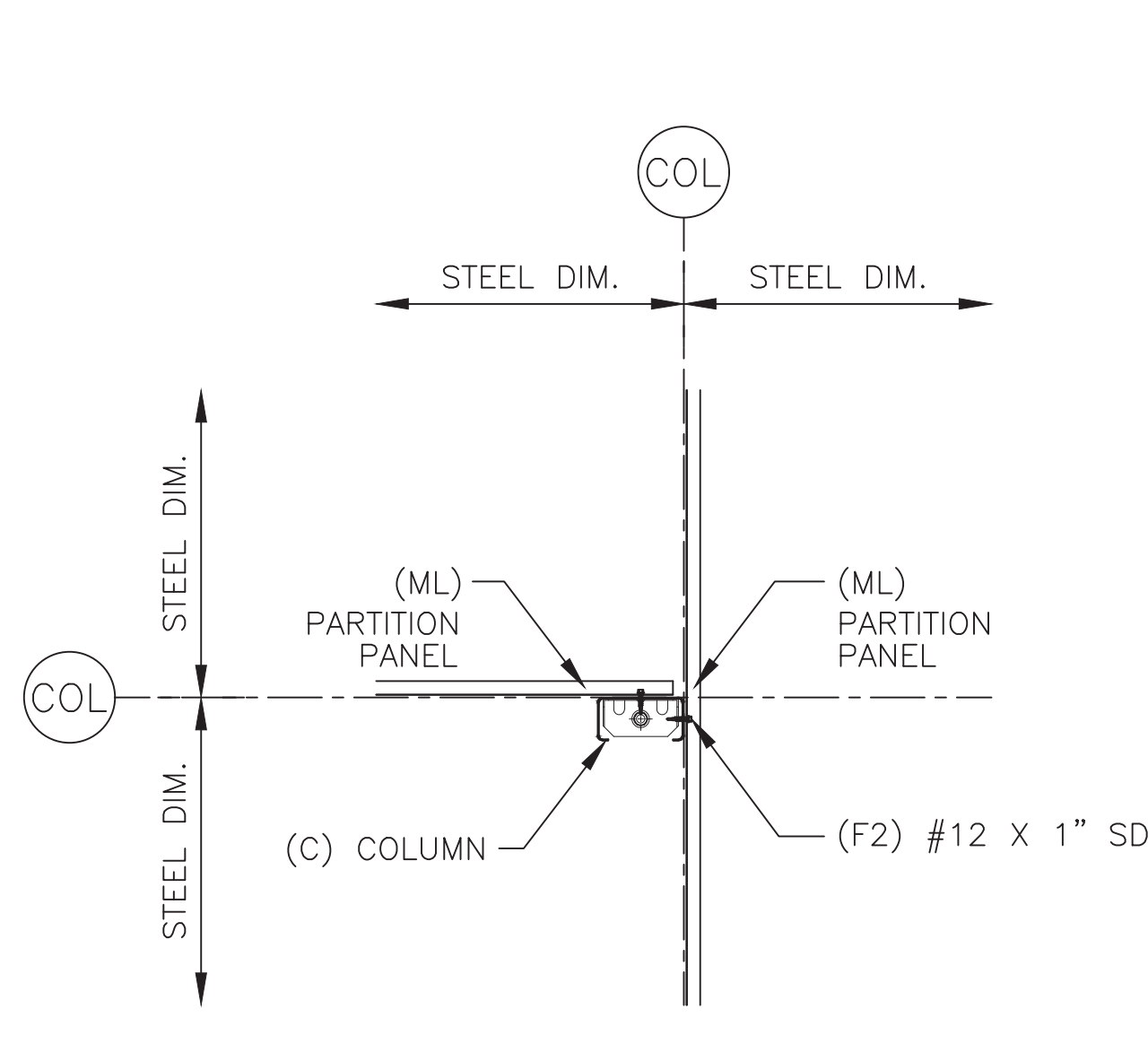
10 COLUMN CLIP



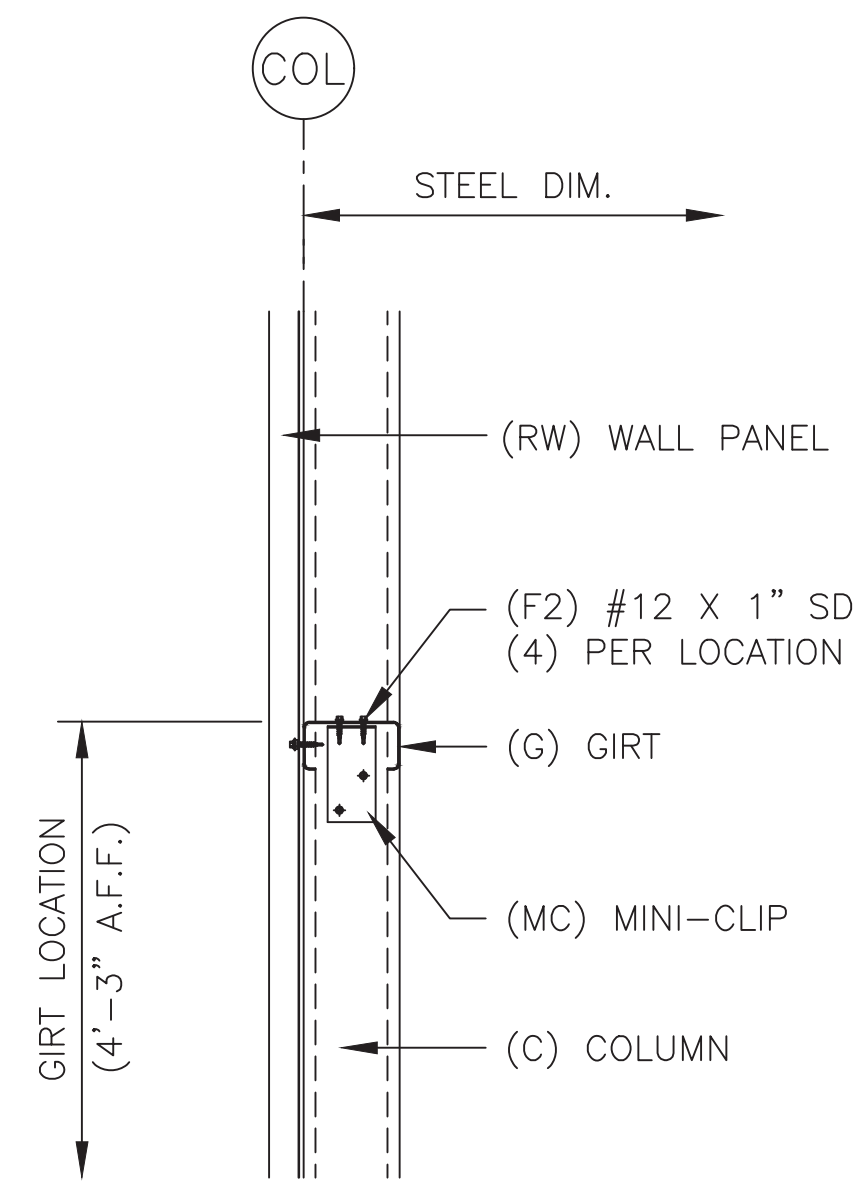
11 PARTITION CROSSING



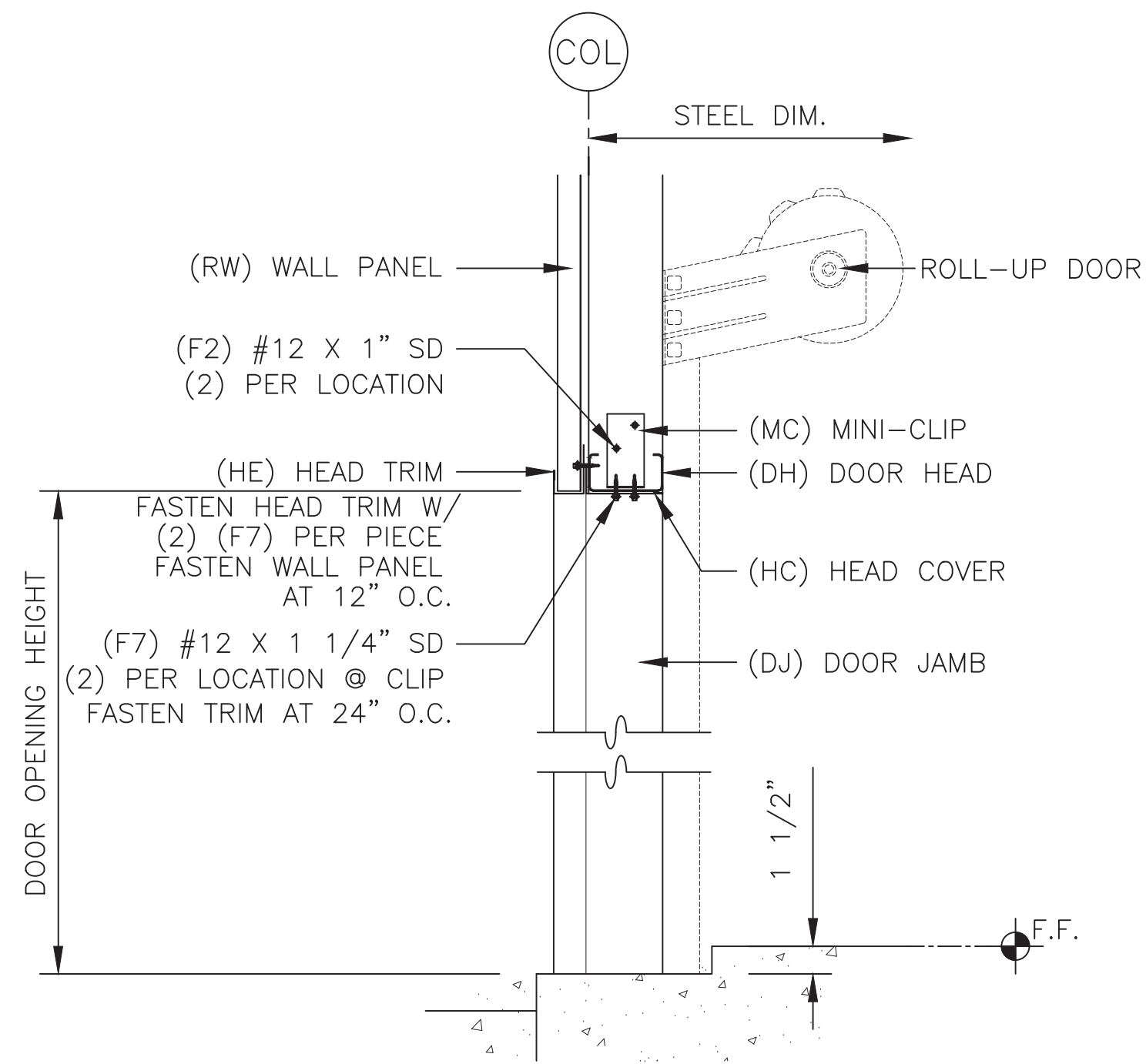
12 PARTITION TEE



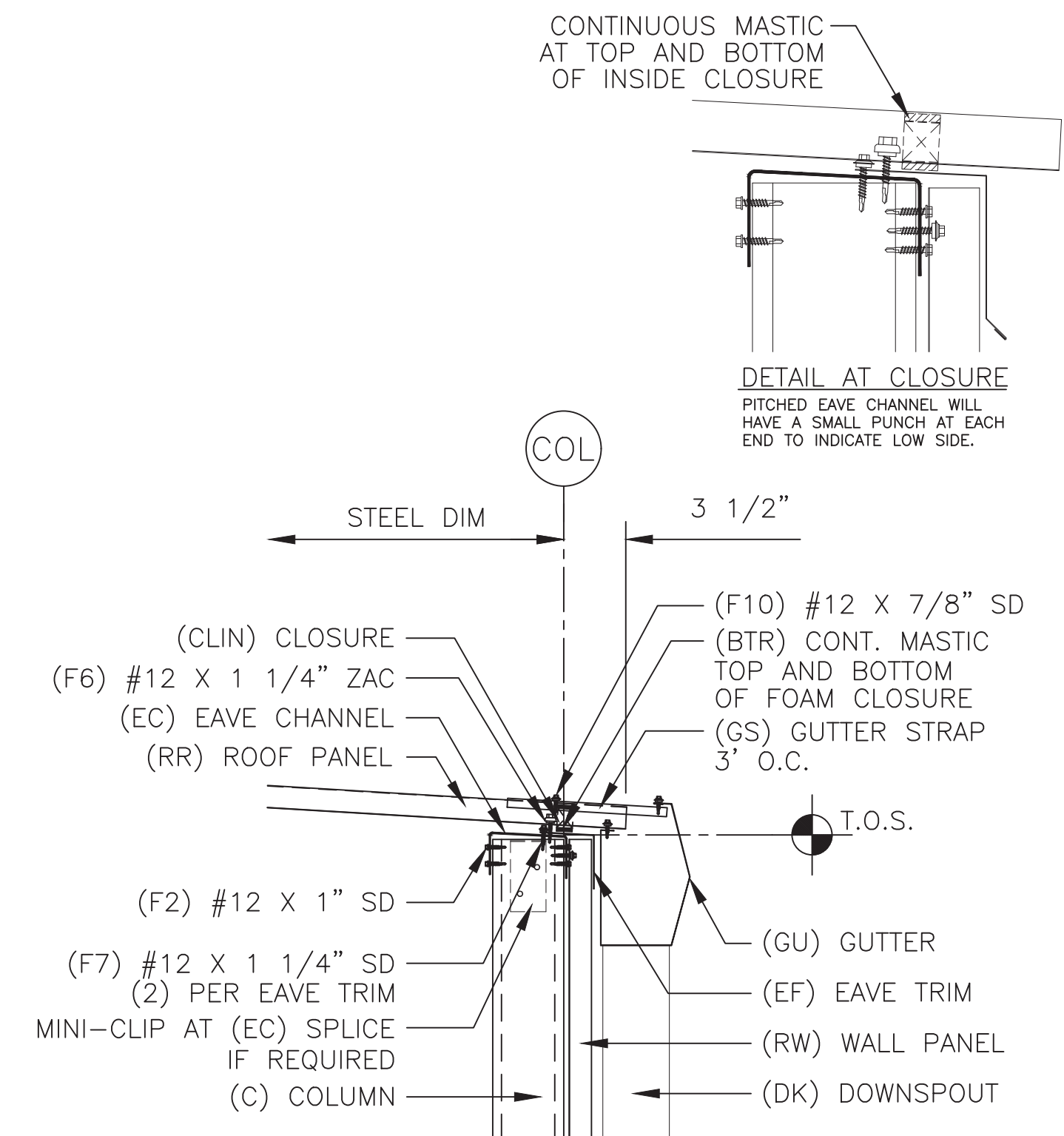
13 PARTITION TEE



14 TYPICAL GIRT



15 DOOR HEAD



16 LOW EAVE WITH GUTTER



CONFIDENTIAL AND PROPRIETARY INFORMATION
 THESE DRAWINGS ARE THE SOLE AND EXCLUSIVE PROPERTY OF THE BUILDING MANUFACTURER. SENSITIVE, PRIVILEGED, AND CONFIDENTIAL INFORMATION CONTAINED IN THESE DRAWINGS MAY ONLY BE USED FOR ITS BENEFIT. THE DISCLOSURE OF THESE DRAWINGS TO ANY OTHER PARTY WITHOUT THE WRITTEN PERMISSION OF THE BUILDING MANUFACTURER IS STRICTLY PROHIBITED. THESE DRAWINGS MAY NOT BE USED TO CONSTRUCT LIKE PROJECTS WITHOUT WRITTEN PERMISSION FROM THE BUILDING MANUFACTURER. THIS DOCUMENT AND ALL COPIES MUST BE RETURNED UPON DEMAND.

PROJECT:
 30 x 150 x 8-6
 LOCATION:
 Sanford, NC 27332

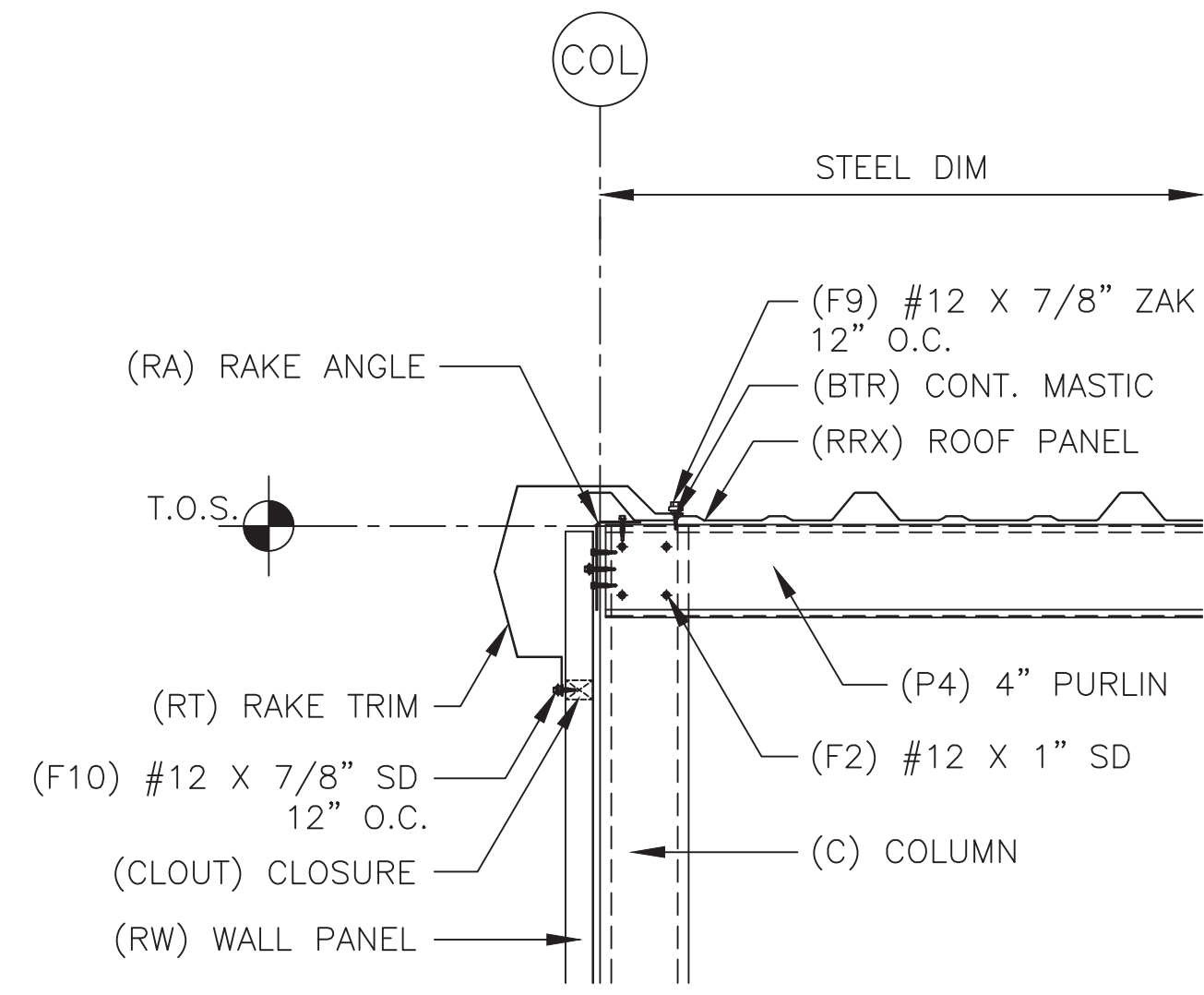
Arco
 Arco Building Systems
 3300 Holcomb Bridge Road, Suite 201
 Norcross, Georgia 30092
 Phone: 800-241-8339

DWG #22-43050-CL1

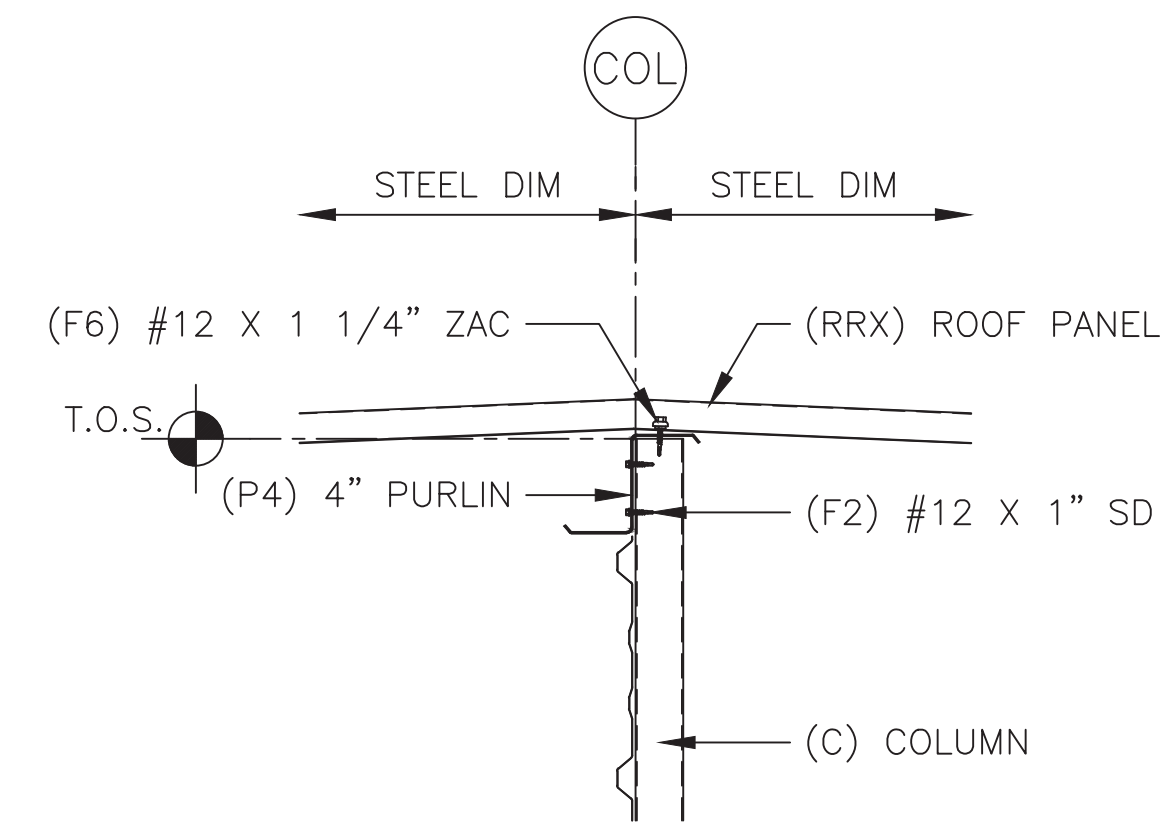
Sheet

6 of 8

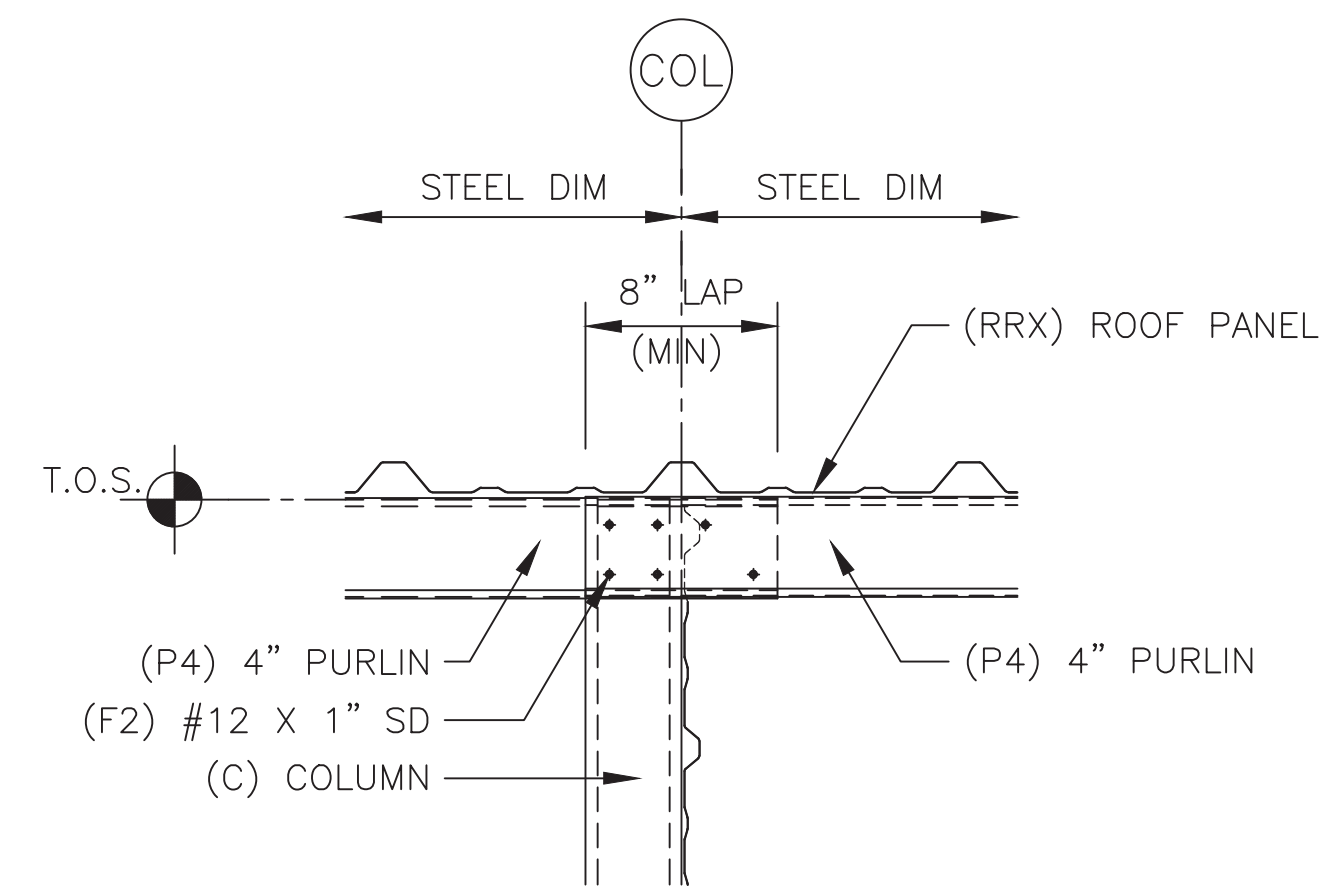
DATE	11/7/22
BY	BAJ
FOR	CONSTRUCTION
ISSUED	PRINTS



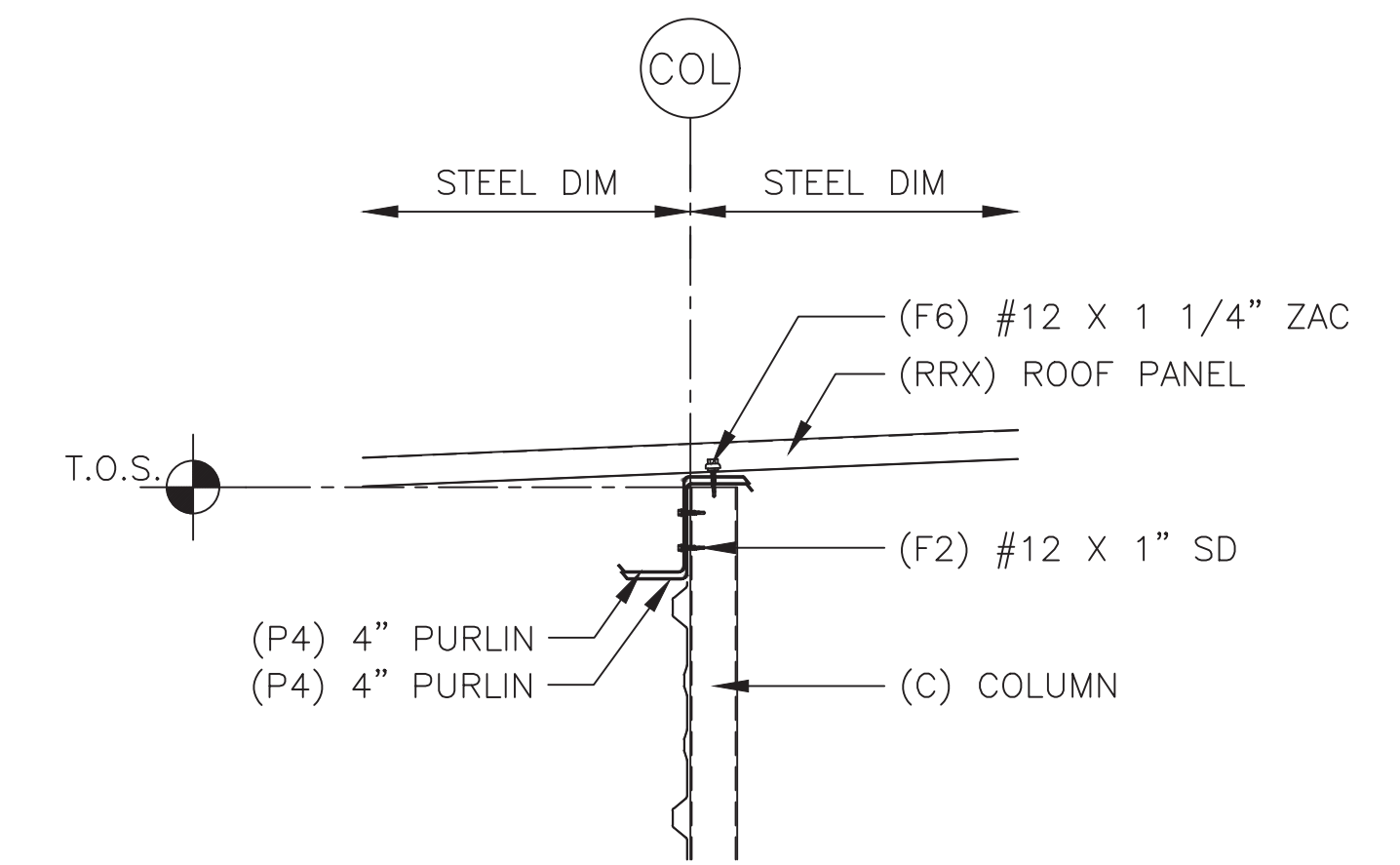
17 RAKE - 4" PURLIN



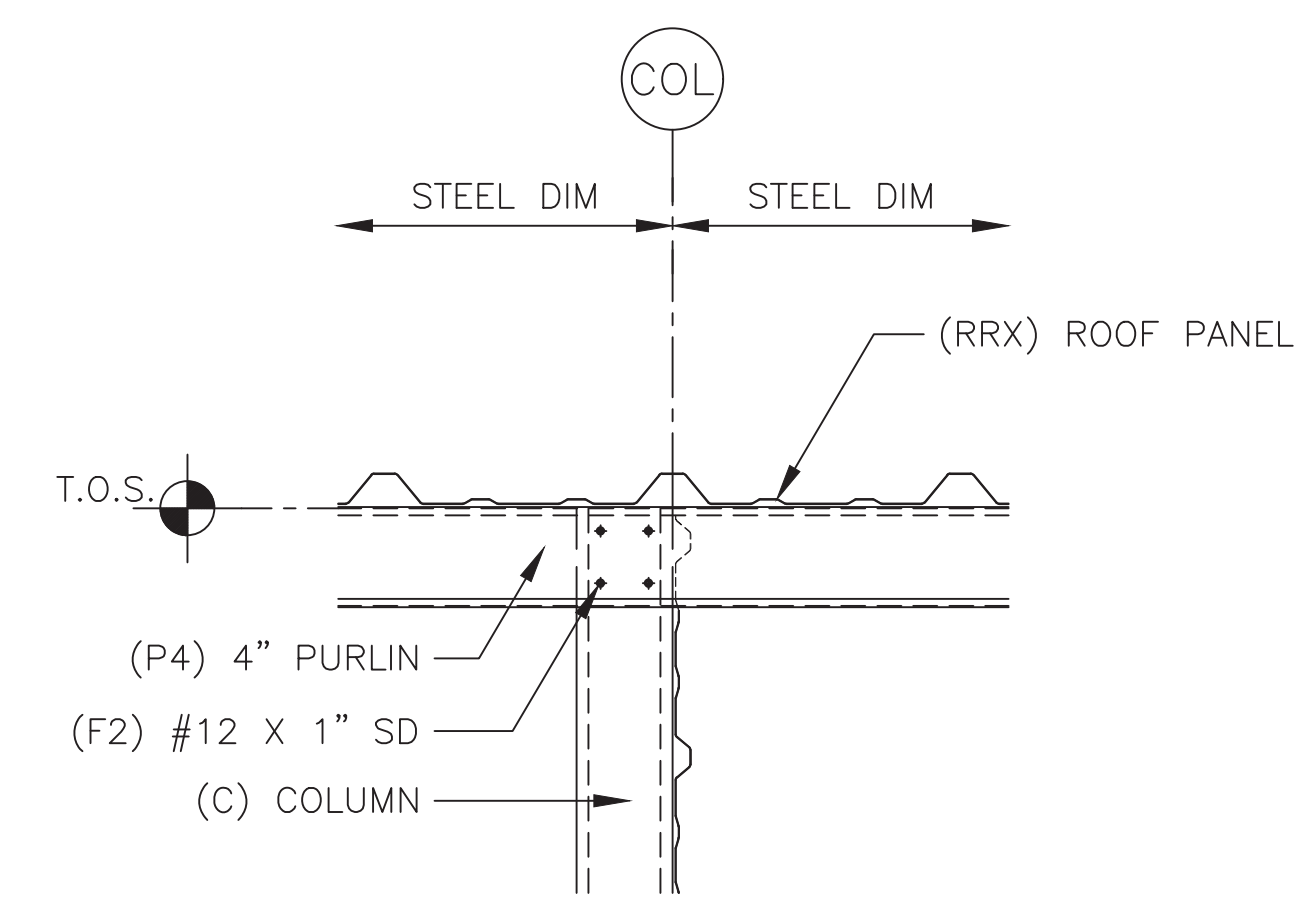
18 RIDGE - 4" PURLIN



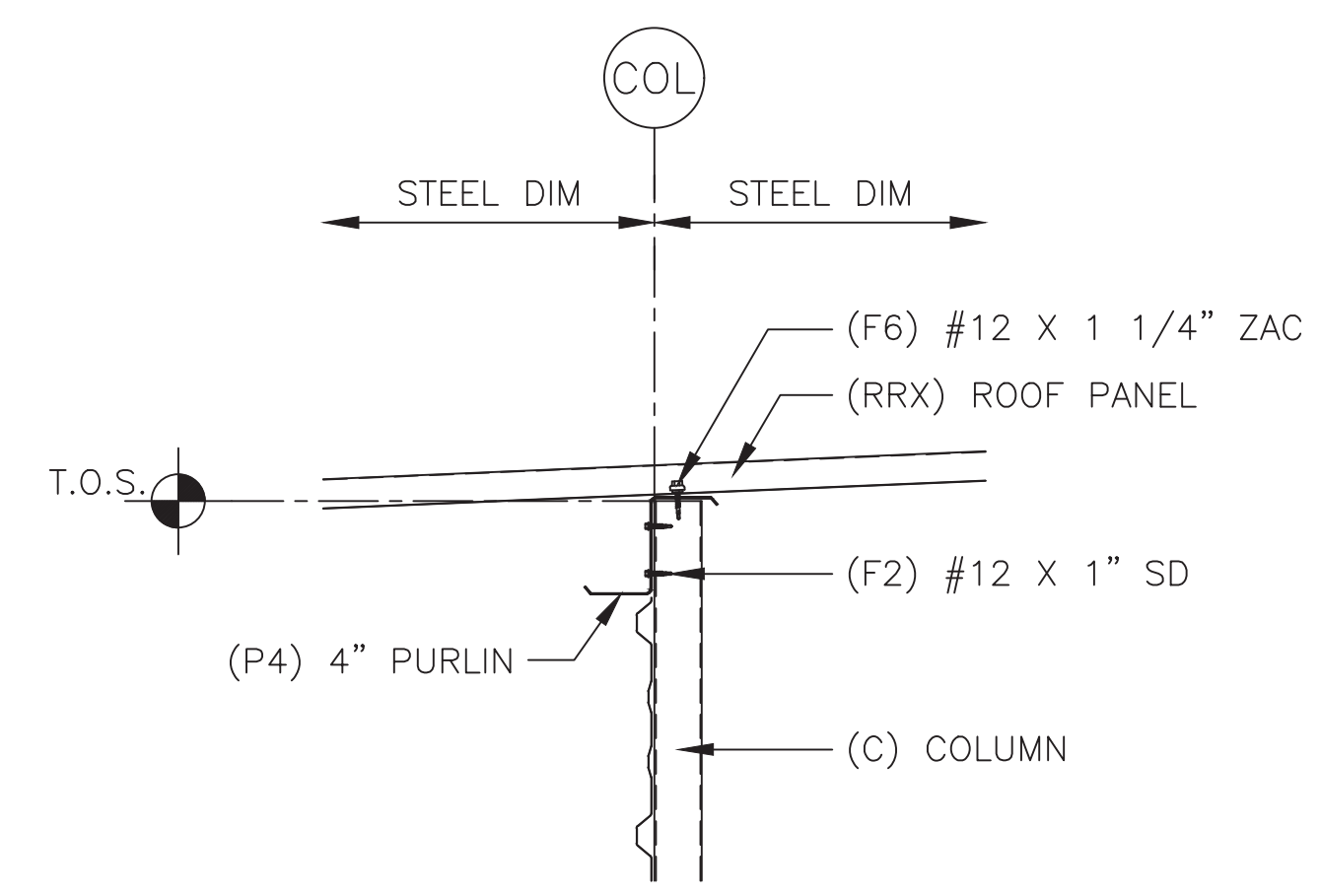
19 4" PURLIN LAP SIDE



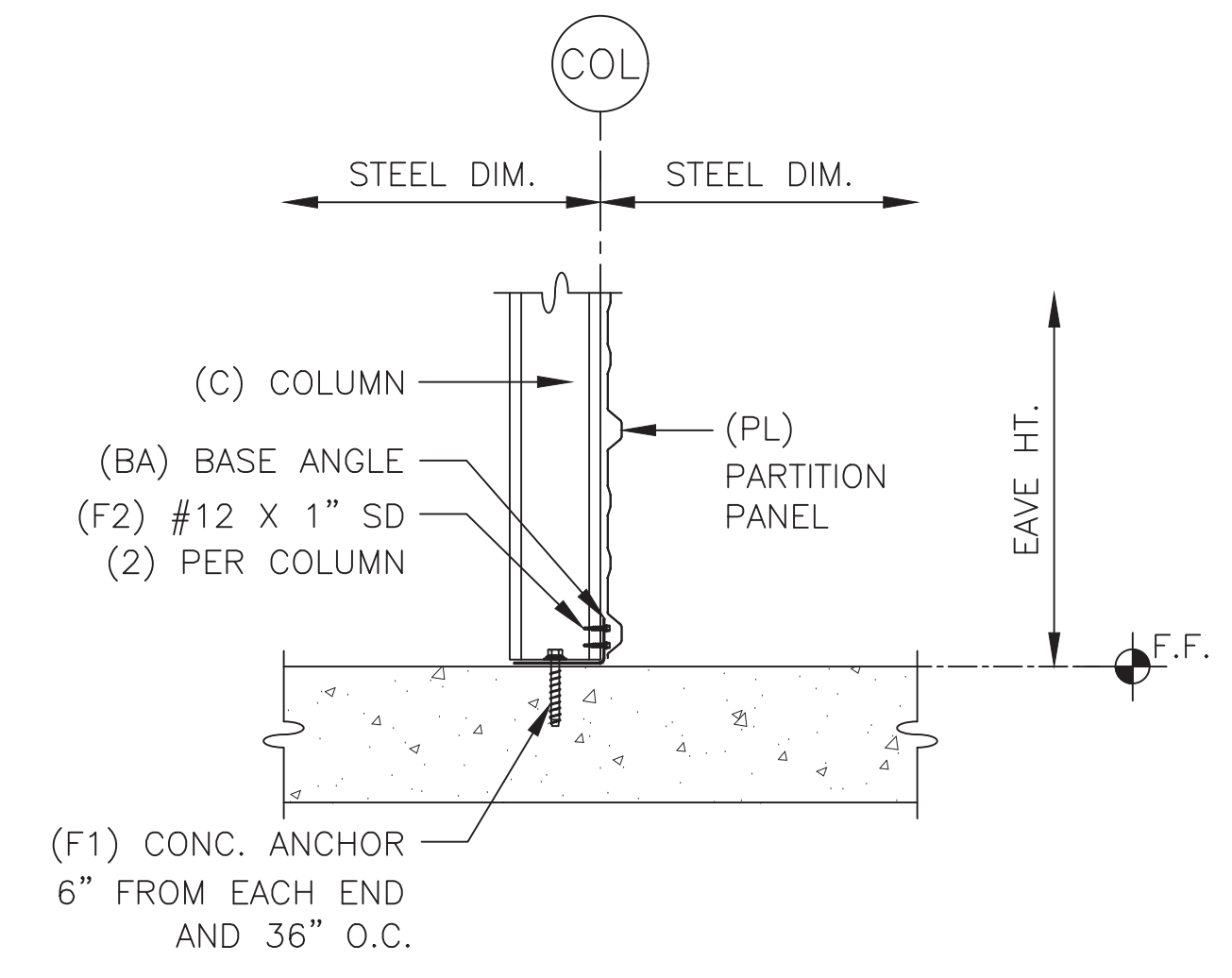
20 4" PURLIN LAP SECTION



21 4" PURLIN SIDE



22 4" PURLIN SECTION



23 COLUMN FLOOR BASE ANGLE

DATE	11/7/22
BY	BAJ
CONSTRUCTION	PRINTS ISSUED FOR

CONFIDENTIAL AND PROPRIETARY INFORMATION
 THESE DRAWINGS ARE THE SOLE AND EXCLUSIVE PROPERTY OF THE BUILDING MANUFACTURER. SENSITIVE, PRIVILEGED, AND CONFIDENTIAL INFORMATION CONTAINED IN THESE DRAWINGS MAY ONLY BE USED FOR ITS BENEFIT. THE DISCLOSURE OF THESE DRAWINGS TO UNAUTHORIZED PERSONS OR TO ANY OTHER PROJECTS WITHOUT WRITTEN PERMISSION FROM THE BUILDING MANUFACTURER, THIS DOCUMENT AND ALL COPIES MUST BE RETURNED UPON DEMAND.

PROJECT:	30 x 150 x 8-6
LOCATION:	Sanford, NC 27332

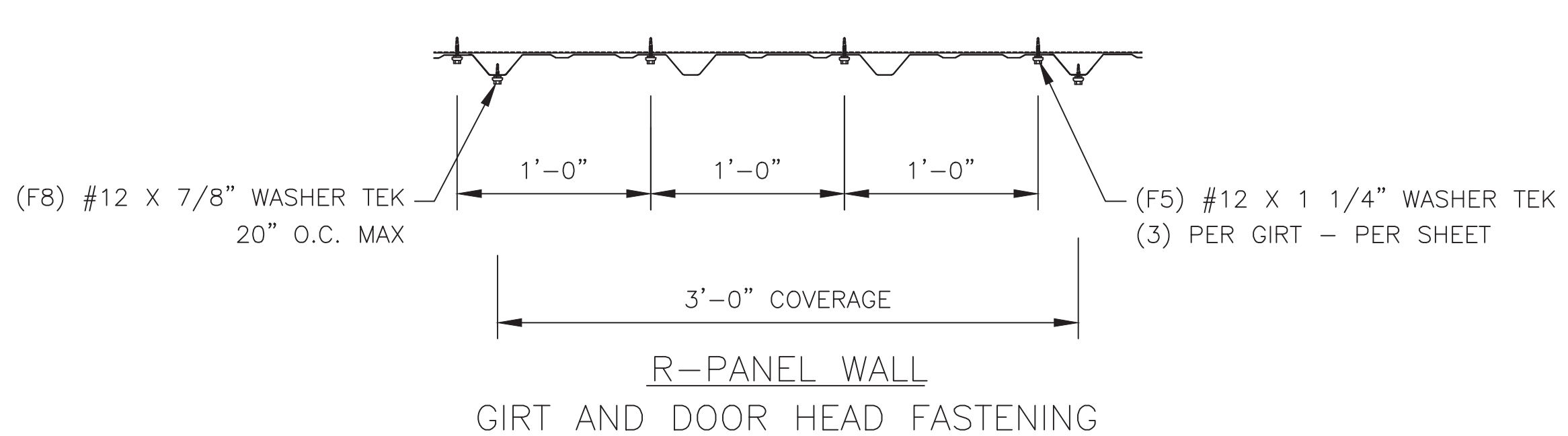
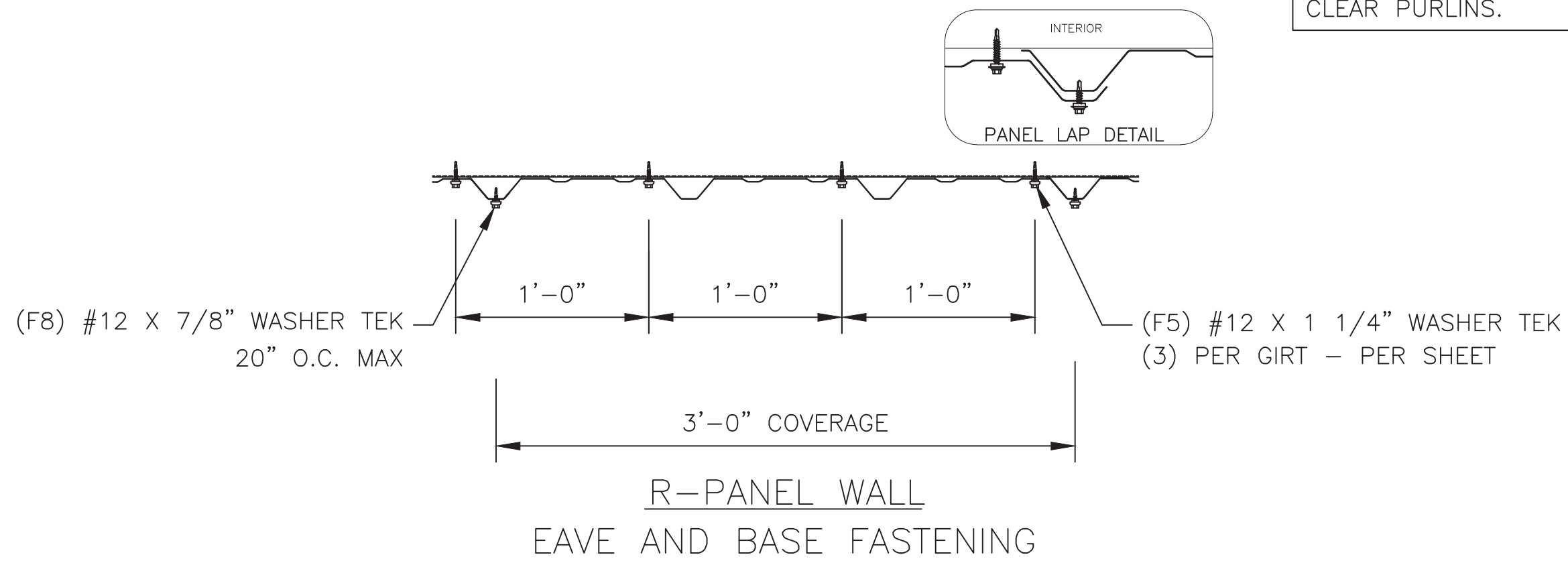
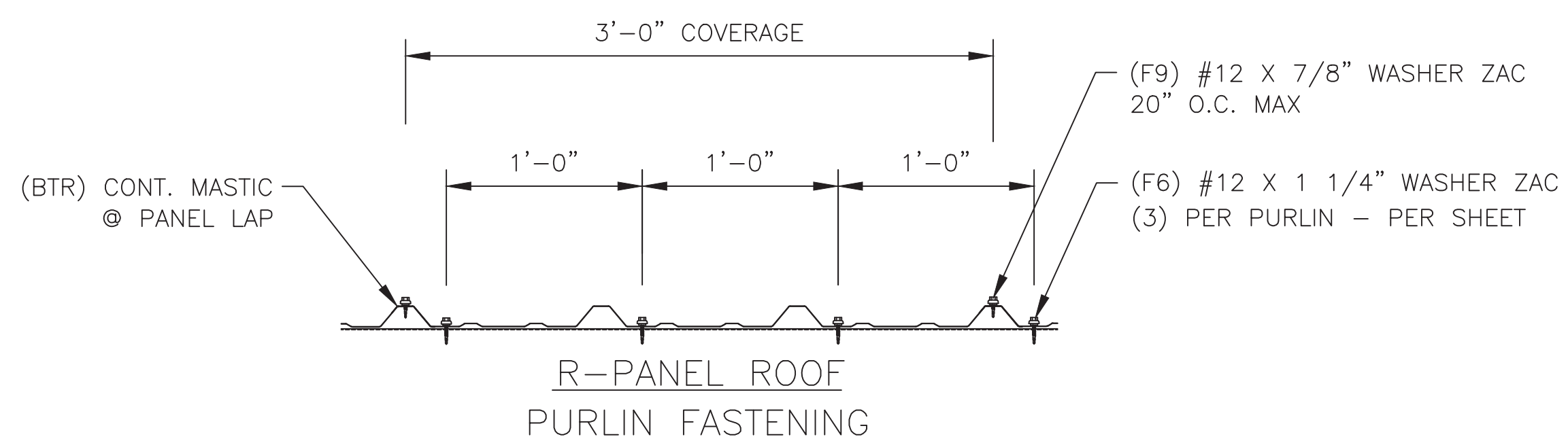
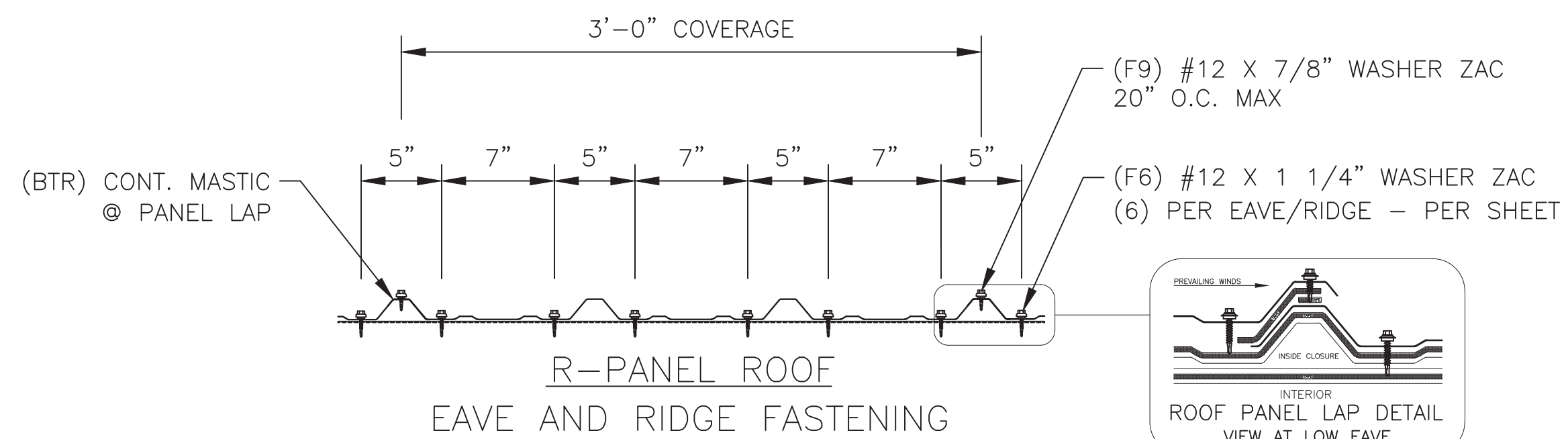
Arco Building Systems
 3300 Holcomb Bridge Road, Suite 201
 Norcross, Georgia 30092
 Phone: 800-241-8339

DWG #22-43050-CL1

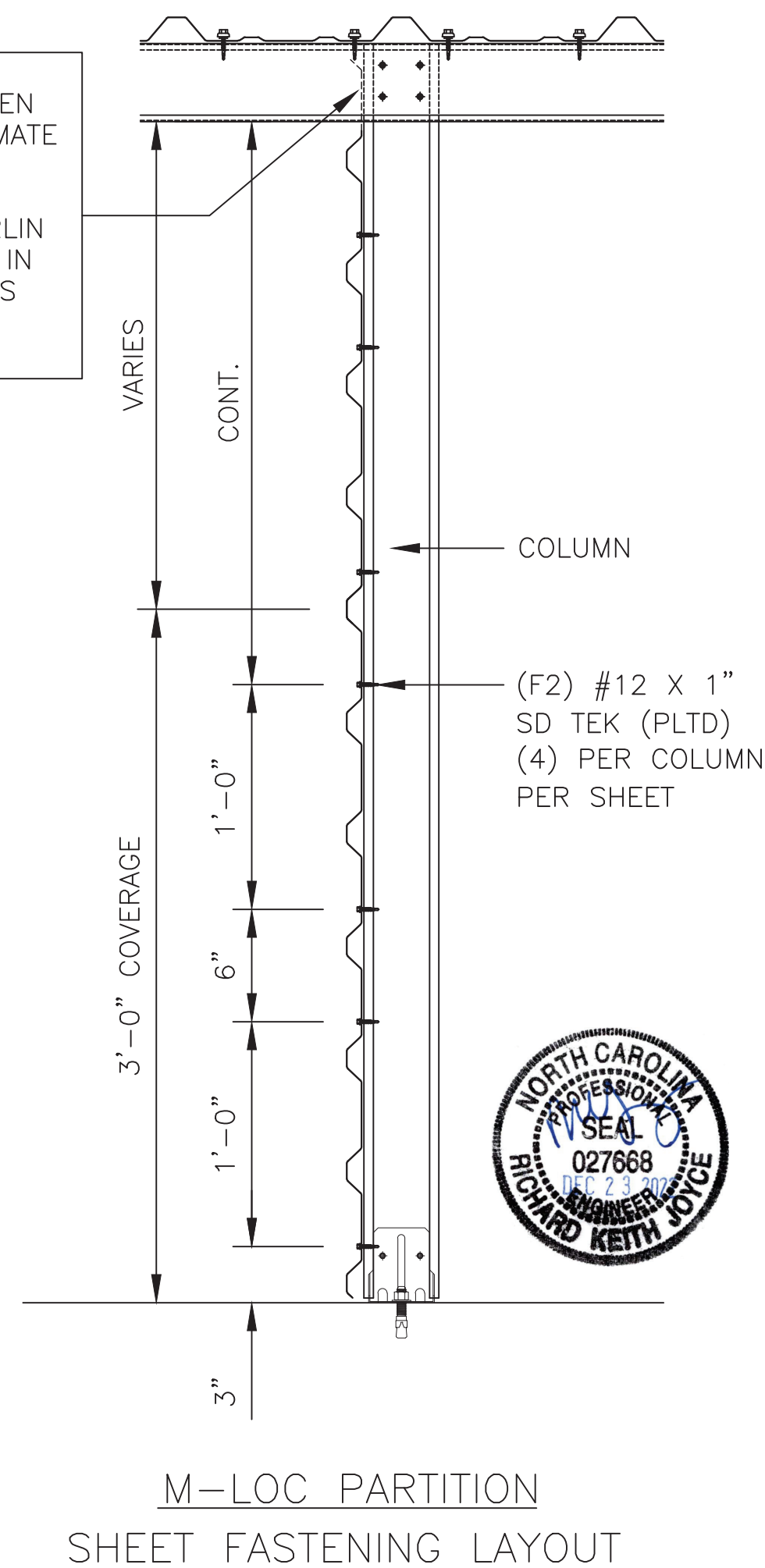
Sheet

7 of 8





ERECTOR NOTE:
PARTITION PANELS HAVE BEEN SUPPLIED TO THE APPROXIMATE ROOF LINE. NOTCH TOP PARTITION PANEL TO MATCH ROOF LINE AND CLEAR PURLIN LEG AS NEEDED TO CLOSE IN THE UNIT. PARTITION PANELS MAY BE BACK LAPPED TO CLEAR PURLINS.



CONFIDENTIAL AND PROPRIETARY INFORMATION
THESE DRAWINGS ARE THE SOLE AND EXCLUSIVE PROPERTY OF THE BUILDING MANUFACTURER. SENSITIVE, PRIVILEGED, AND CONFIDENTIAL INFORMATION CONTAINED IN THESE DRAWINGS MAY ONLY BE USED FOR ITS BENEFIT. THE DISCLOSURE OF THESE DRAWINGS TO ANY OTHER PARTY WITHOUT THE WRITTEN PERMISSION OF THE BUILDING MANUFACTURER IS STRICTLY PROHIBITED. THESE DRAWINGS MAY NOT BE USED TO CONSTRUCT LIKE PROJECTS WITHOUT WRITTEN PERMISSION FROM THE BUILDING MANUFACTURER. THIS DOCUMENT AND ALL COPIES MUST BE RETURNED UPON DEMAND.

CONSTRUCTION	BAJ	BY	11/7/22	DATE
PRINTS ISSUED FOR				

PROJECT:
30 x 150 x 8-6
LOCATION:
Sanford, NC 27332

Arco Building Systems
3300 Holcomb Bridge Road, Suite 201
Norcross, Georgia 30092
Phone: 800-241-8339

DWG #22-43050-CL1

Sheet

8 of 8