

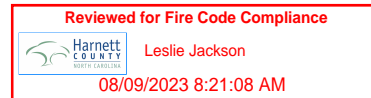


Fire Marshal Division

P.O. Box 370
Lillington, NC 27546
910-893-7580

Application for Plan Review

Application # _____ - _____



Date Received: _____ Received By: _____

Name of Project: FAIRWAY POINTE BLDG 16

Physical Address of Project: 260 Gallery Drive
Spring Lake NC 28390

Plans Submitted By: Summit Fire & Security

Project Phone: (919) - 872 - 3250

Contact Person/Address: Isabel Burrows

1609 Heritage Commerce Ct. Wake Forest, NC 27587

Contact Phone: (919) - 872 - 3250 () - -

Contractor's Name/Info: Anderson Creek Developers

125 Whispering Pines Dr. Spring Lake, NC

Contractor's Phone: (910) - 814 - 2115

- **Plans that are submitted will be reviewed as quickly as possible with an average time of review between 7-10 working days.**
- **Status checks may be conducted on plan reviews by visiting the website <http://hteweb.harnett.org/Click2GovBP/Index.jsp> or by calling the Harnett County Central Permitting Office (910-893-4759), or the Harnett County Fire Marshal's Office (910-893-7580).**
- **Approved plans must be picked up from the Central Permitting Office and all fees paid before any required inspections can be conducted.**

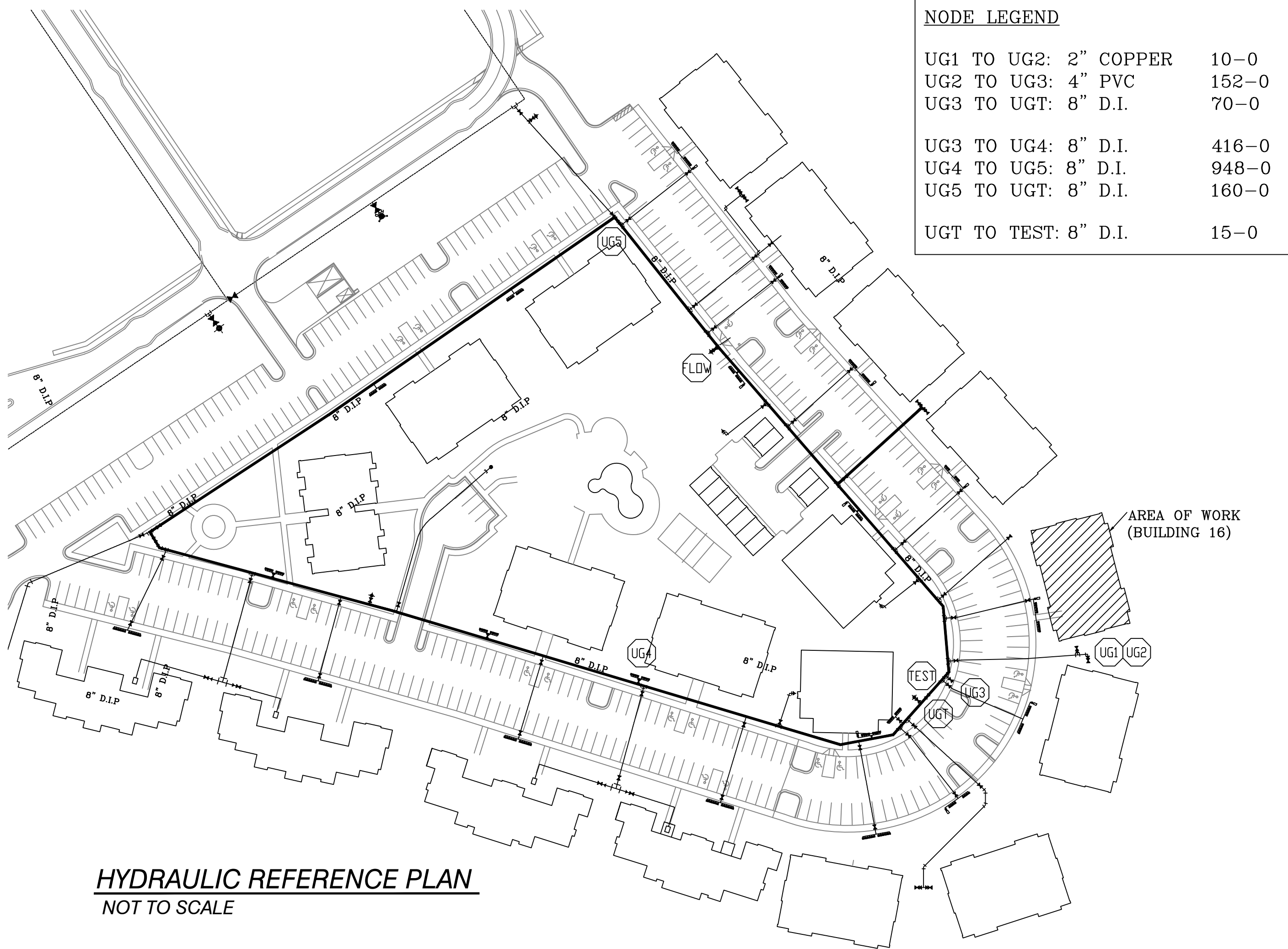
GENERAL NOTES

- ALL WORK SHALL BE IN FULL COMPLIANCE WITH NFPA 13R (2013) AND THE NORTH CAROLINA STATE BUILDING CODE. THE GENERAL CONDITIONS OF THE CONTRACT APPLY.
- THE FP CONTRACTOR SHALL PROVIDE ALL LABOR AND MATERIALS REQUIRED FOR A COMPLETE WORKING SYSTEM WHICH MEETS ALL REQUIREMENTS OF THE STATE BUILDING CODE, NFPA 13R, AND LOCAL AUTHORITY.
- ALL MATERIALS AND EQUIPMENT SHALL BE NEW, UL LISTED FOR THE INTENDED USE AND SHALL BE INSTALLED IN FULL COMPLIANCE WITH MANUFACTURERS' RECOMMENDATIONS.
- SPRINKLER HEADS ARE SPACED PER MANUFACTURERS CUTSHEETS. FAST RESPONSE HEADS SHALL BE USED.
- ALL PIPE SHALL BE APPROVED CPVC LISTED FOR FIRE PROTECTION USE.
- SPRINKLER SYSTEM IS WET PIPE TYPE FOR ALL FLOORS.
- LOCATIONS OF PIPING AS SHOWN ON THE DRAWINGS ARE APPROXIMATE AND SUBJECT TO MINOR ADJUSTMENTS IN THE FIELD.
- SPRINKLERS SHALL NOT BE REQUIRED IN BATHROOMS OF 55 SQ.FT. AND LESS PER NFPA 13R - 6.6.2
- SPRINKLERS SHALL NOT BE REQUIRED IN CLOTHES CLOSETS, LINEN CLOSETS, AND PANTRIES PER NFPA 13R - 6.6.3
- SPRINKLERS SHALL NOT BE REQUIRED IN ATTICS, PENTHOUSE EQUIPMENT ROOMS, ELEVATOR MACHINE ROOMS, CONCEALED SPACES DEDICATED EXCLUSIVELY TO AND CONTAINING ONLY DWELLING UNIT VENTILATION EQUIPMENT, FLOOR/ CEILING SPACES, ELEVATOR SHAFTS, CRAWL SPACES AND OTHER CONCEALED SPACES THAT ARE NOT USED OR INTENDED FOR LIVING PURPOSES AND DO NOT CONTAIN FUEL-FIRED EQUIPMENT. PER NFPA 13R - 6.6.6
- PIPING TO BE INSTALLED ON CONDITIONED SIDE OF WALL AND CEILINGS. POLYPLASTIC AND INSULATION SHALL BE INSTALLED BY OTHERS.
- NFPA 13R, 2013 6.8.2 - THE SPRINKLER SYSTEM PIPING SHALL NOT HAVE A SEPARATE CONTROL VALVE INSTALLED UNLESS SUPERVISED BY ONE OF THE FOLLOWING METHODS: 1) CENTRAL STATION, PROPRIETARY, OR REMOTE STATION ALARM SERVICE 2) LOCAL ALARM SERVICE THAT CAUSES THE SOUNDING OF AN AUDIBLE SIGNAL ATTENDED LOCATION, 3) VALVES ARE LOCKED OPEN.

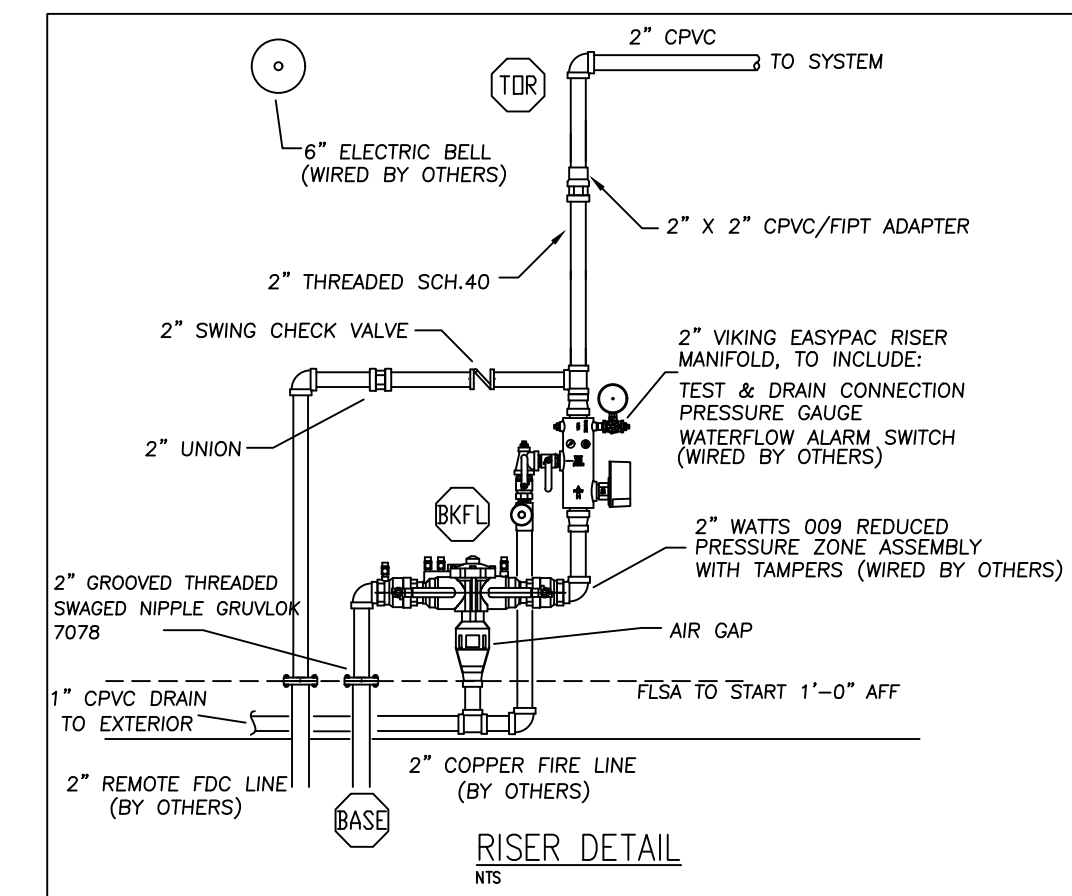
SCOPE OF WORK

13R RESIDENTIAL SPRINKLER SYSTEM

- SUMMIT TO DESIGN AND INSTALL ALL PIPING, FITTINGS AND HEADS IN RESIDENTIAL UNITS WITHIN AREAS OF WORK
- SPRINKLER SYSTEM DESIGNED PER NFPA 13R, 2013 EDITION.
- SUMMIT TO INSTALL NEW 2" BACKFLOW IN SPRINKLER RISER ROOM AS SHOWN. SUMMIT TO CONNECT SYSTEM RISER TO REMOTE 2" FDC RUN-IN (BY OTHERS) AS SHOWN.
- SUMMIT TO INSTALL DRAIN TO EXTERIOR AND DRAIN CONNECTION (PIPE ROUTE NOT SHOWN, TO BE CUT-ON-JOB BY SUMMIT)
- ALL PIPING AND FITTINGS TO BE CPVC EXCLUDING RISER AND UNDERGROUND (UNDERGROUND BY OTHERS)
- ALL PENDENTS AND SIDEWALLS TO BE SEMI-RECESSED WITH A WHITE FINISH
- PIPING TO BE INSTALLED ON CONDITIONED SIDE OF WALL AND CEILINGS. POLYPLASTIC AND INSULATION PROVIDED BY OTHERS
- ALL CEILINGS ARE FLAT, CEILING HEIGHTS 8'-0" UNLESS OTHERWISE NOTED.
- A CABINET WITH STOCK OF EXTRA SPRINKLERS SHALL BE PROVIDED IN ACCORDANCE WITH NFPA 13R.
- METHODS OF HANGING PIPES, HEADERS, AND BRANCHES SHALL BE IN ACCORDANCE WITH NFPA 13R.



SPRINKLER SUMMARY											
SYM	TYPE	FINISH	TEMP	ORIF.	"K"	NPT	MANUF.	SIN#	ESCUTCHEON	QTY.	
⊗	QR PENDENT	WHITE	175°	1/2"	5.6K	1/2"	VIKING	VK3021	SEMI-RECESSED	0	
⊙	QR RES. PENDENT	WHITE	175°	1/2"	4.9K	1/2"	VIKING	VK468	SEMI-RECESSED	0	
◁	QR DRY SIDEWALL	CHROME	155°	1/2"	5.6K	1/2"	VIKING	VK178	ADJ. STANDARD	0	
▷	QR RES. SIDEWALL	WHITE	175°	1/2"	4.2	1/2"	VIKING	VK484	SEMI-RECESSED	0	
										0	
										0	
										0	
										0	
										0	
										0	
TOTAL SPRINKLERS THIS PROJECT									177	TOTAL SPRINKLERS THIS DRAWING	0



FAIRWAY POINTE BUILDING 16	System: WET
Project Street Address: GALLERY DR, SPRING LAKE NC 28390	Sys. Sq. Ft.: VARIES
Suite: N/A	Floor: VARIES
Designed By: I. BURROWS	Phone: (919) 872-3250
Occupancy: RESIDENTIAL & STORAGE	Hazard: 13R / OH
	Total Bldg. Hgt.: VARIES

Design Area #	REMOTE AREA - 1	REMOTE AREA - 2	REMOTE AREA - 3	REMOTE AREA - 4	REMOTE AREA - 5
Design Method	DENSITY/AREA	DENSITY/AREA	DENSITY/AREA	DENSITY/AREA	DENSITY/AREA
Location	1ST FLOOR STORAGE	3RD FL. LIVING ROOM	3RD FLOOR BREEZEWAY		
Type of System	WET	WET	WET		
Hazard Class	OH	LH	LH		
Criteria From	NFPA 13 (2013)	NFPA 13R (2013)	NFPA 13 (2013)		
Design Area	ENTIRE SQFT	3 HEADS	4 HEADS		
Sprinkler Spacing	VARIES	VARIES	150		
Density	.15	.05	.1		
K-factor	5.6	4.2	5.6		
Hose Allowance	250 GPM	N/A	N/A		
# Design Sprinklers	11	3	4		
Special Application Spk.	No	No	No		
Requirement @ TEST					
GPM Required	436.61 GPM	66.987 GPM	67.203 GPM		
PSI Required	87.579 PSI	81.992 PSI	52.289 PSI		
Safety factor @ Test	24.95 PSI	36.81 PSI	66.51 PSI		
Dry Sys. Volume (gal)	N/A	N/A	N/A		

Water Supply Information			
Tested by	SUMMIT FIRE & SECURITY	Date/Time	4/5/23
Hydrant Elevation	110 FEET	Flow Hydrant # 1	---
Static (PSI)	119	Residual (PSI)	110
		Flow (gpm)	522

Certified Fire Flow Test Result & Analyses to be Attached to Product Data & Hyd. Calculations

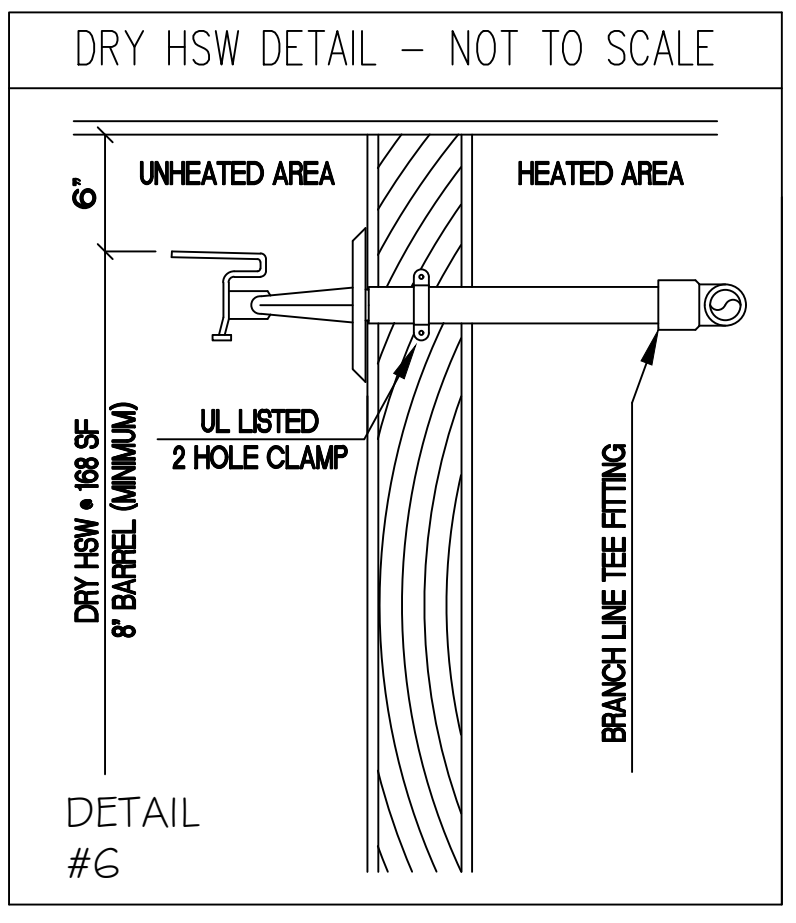
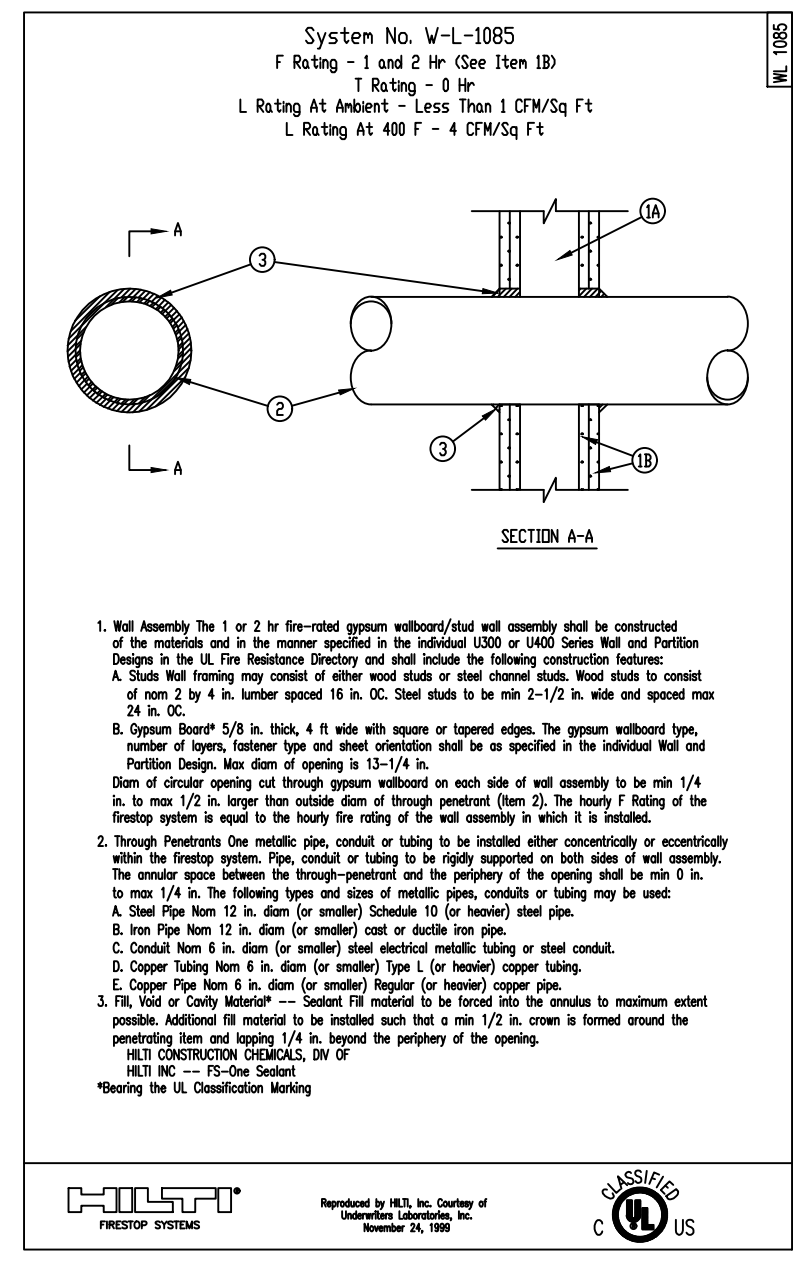
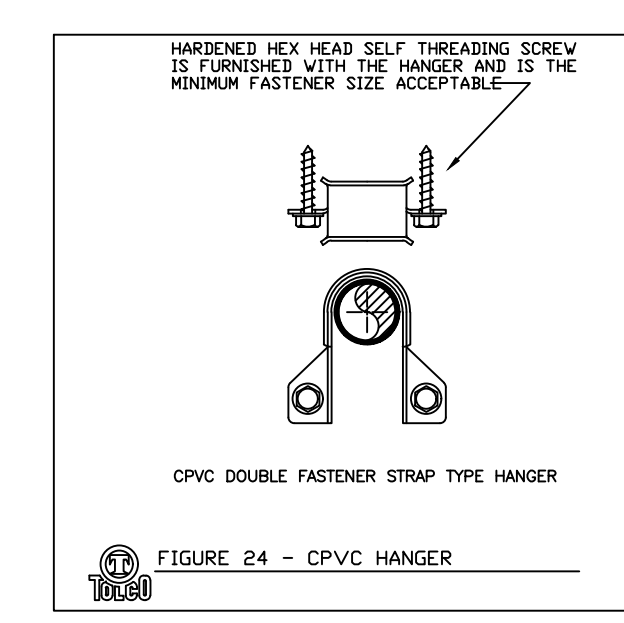
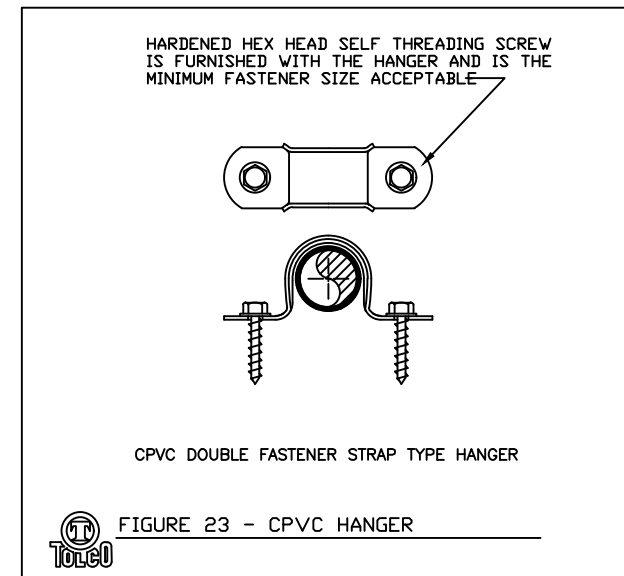
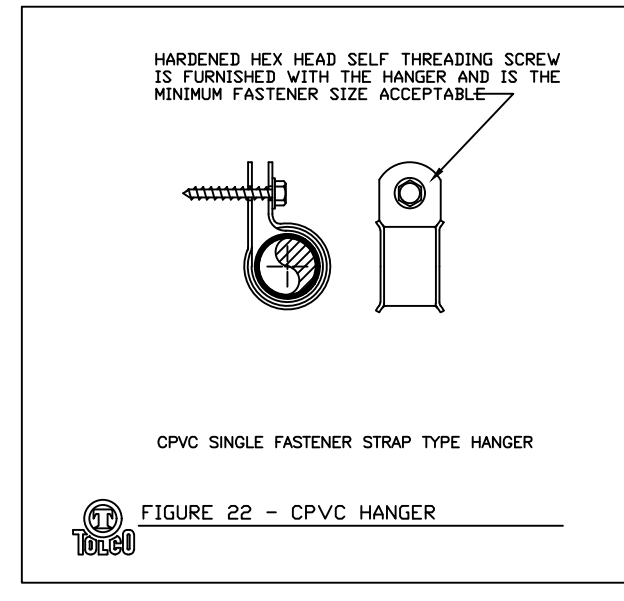
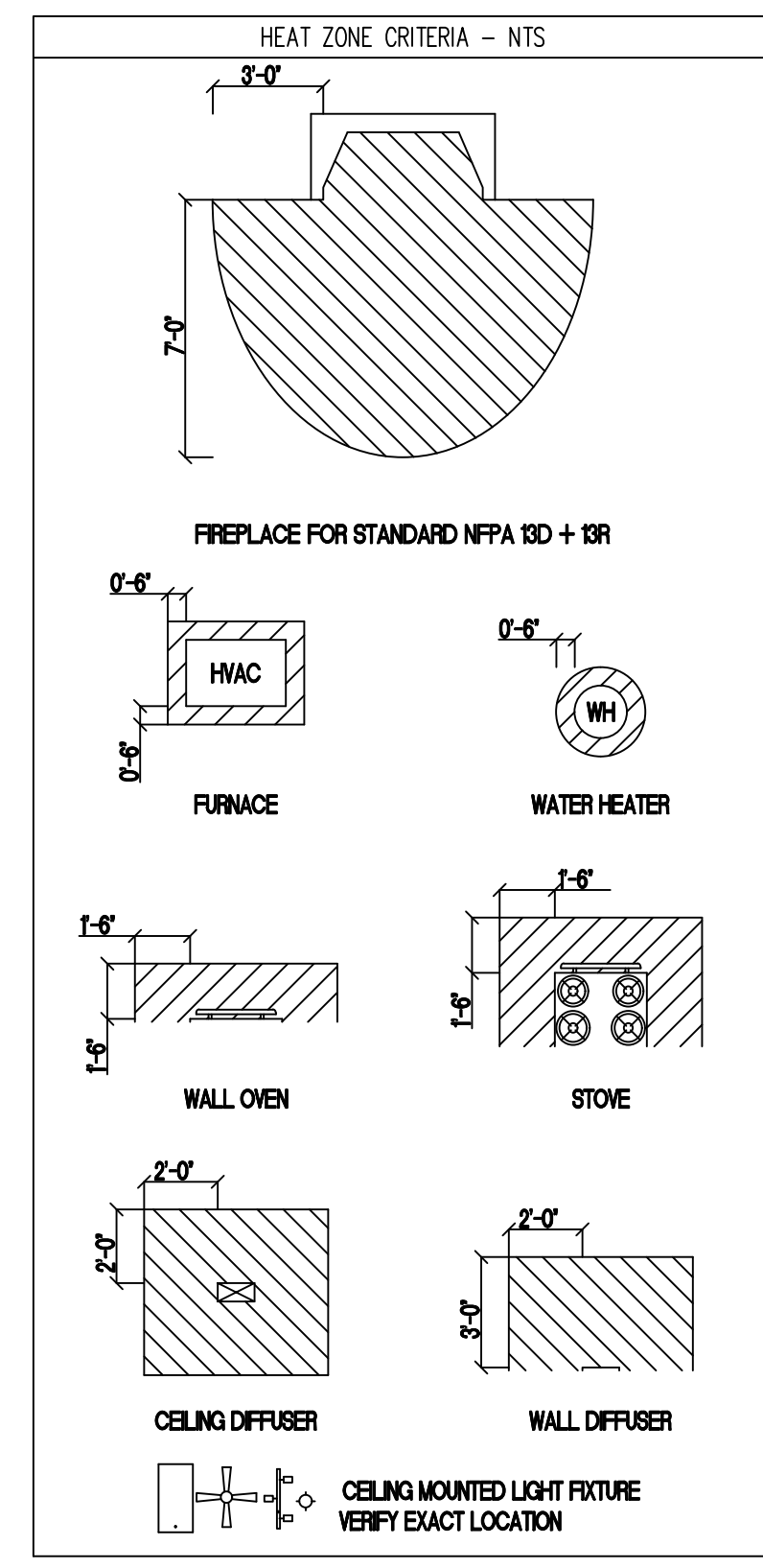
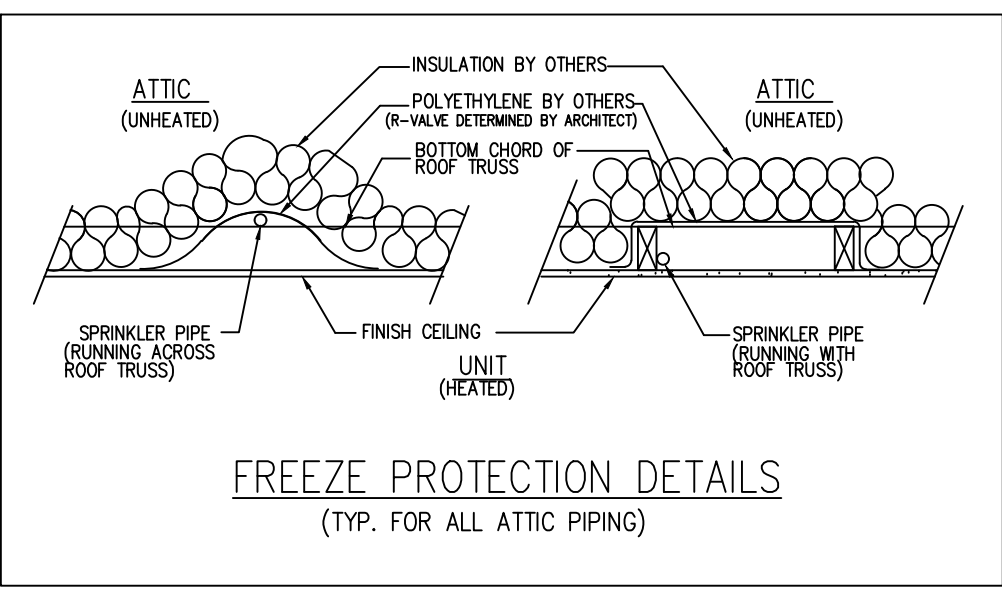
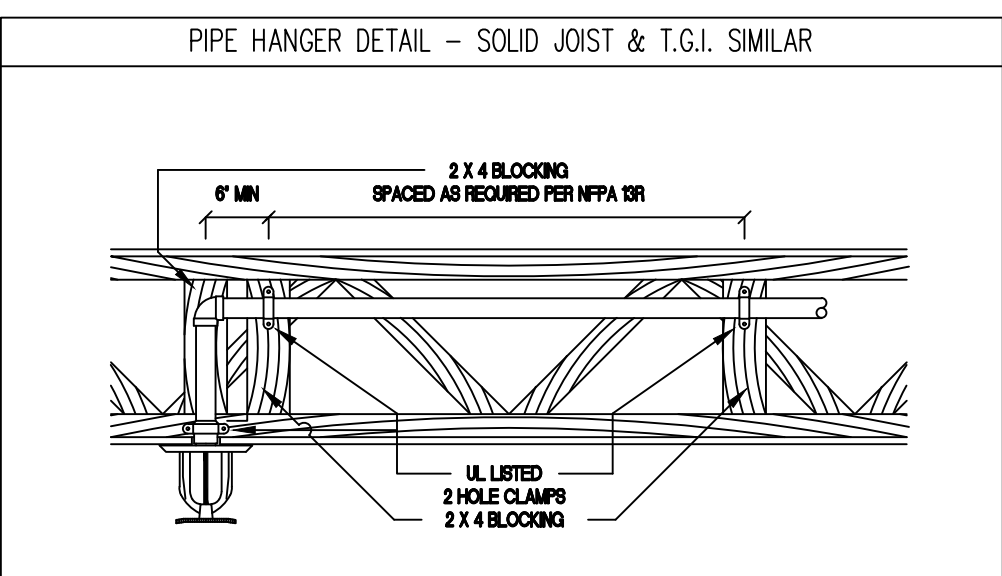


TABLE 1 MAXIMUM SUPPORT SPACING DISTANCE END LINE SPRINKLER HEAD DROP ELBOW		TABLE 2 MAXIMUM SUPPORT SPACING DISTANCE INLINE SPRINKLER HEAD DROP TEE	
PIPE SIZE Inches	SYSTEM PRESSURE < 100 psi > 100 psi	PIPE SIZE Inches	SYSTEM PRESSURE < 100 psi > 100 psi
3/4"	6'	3/4"	3'
1"	9'	1"	4'
1-1/4"	12'	1-1/4"	5'
1-1/2"-3"	24'	1-1/2"-2"	7'



SUMMIT FIRE & SECURITY

ENGINEERING & CONSULTING
INSULATION
INSTALLATION
INSPECTION & TESTING
SERVICE MAINTENANCE

170 HAINSBOROUGH DRIVE
RALEIGH, NC 27603
PHONE: (919) 872-3250

DRAWING #:
DATE: 07/23
DRAWN BY: I. BURROWS
CHECKED BY: I. BURROWS
SCALE: AS NOTED

GENERAL NOTES, SITE PLAN, AND DETAILS
FAIRWAY POINTE BLDG 16
FAIRWAY POINTE DR
ANDERSON CREEK, NC 28390

DRAWING OF 4

APPROVING AGENCIES
APPROVING AUTHORITY: HARNETT COUNTY
UNDERWRITER: N/A
GENERAL CONTRACTOR: H&H CONSTRUCTORS INC
2819 BREEZEWOOD AVE STE 100
FAYETTEVILLE, NC 28303
PHONE NO.: 910-560-2425
FAX NO.: N/A

SYSTEM DESIGN CRITERIA
TYPE SYSTEM: WET
DESIGN METHOD: DENSITY/AREA
HAZARD CLASS: LH
MAXIMUM SPACING: SEE H.D. CALC.
SPRINKLERS: RESIDENTIAL
PIPE TYPES AND FITTING TYPES: PIPE FITTINGS: CPVC
MAIN PIPING: CPVC

I HAVE REVIEWED THESE PLANS AND CERTIFY THAT THEY COMPLY WITH THE ADOPTED NFPA STANDARDS.

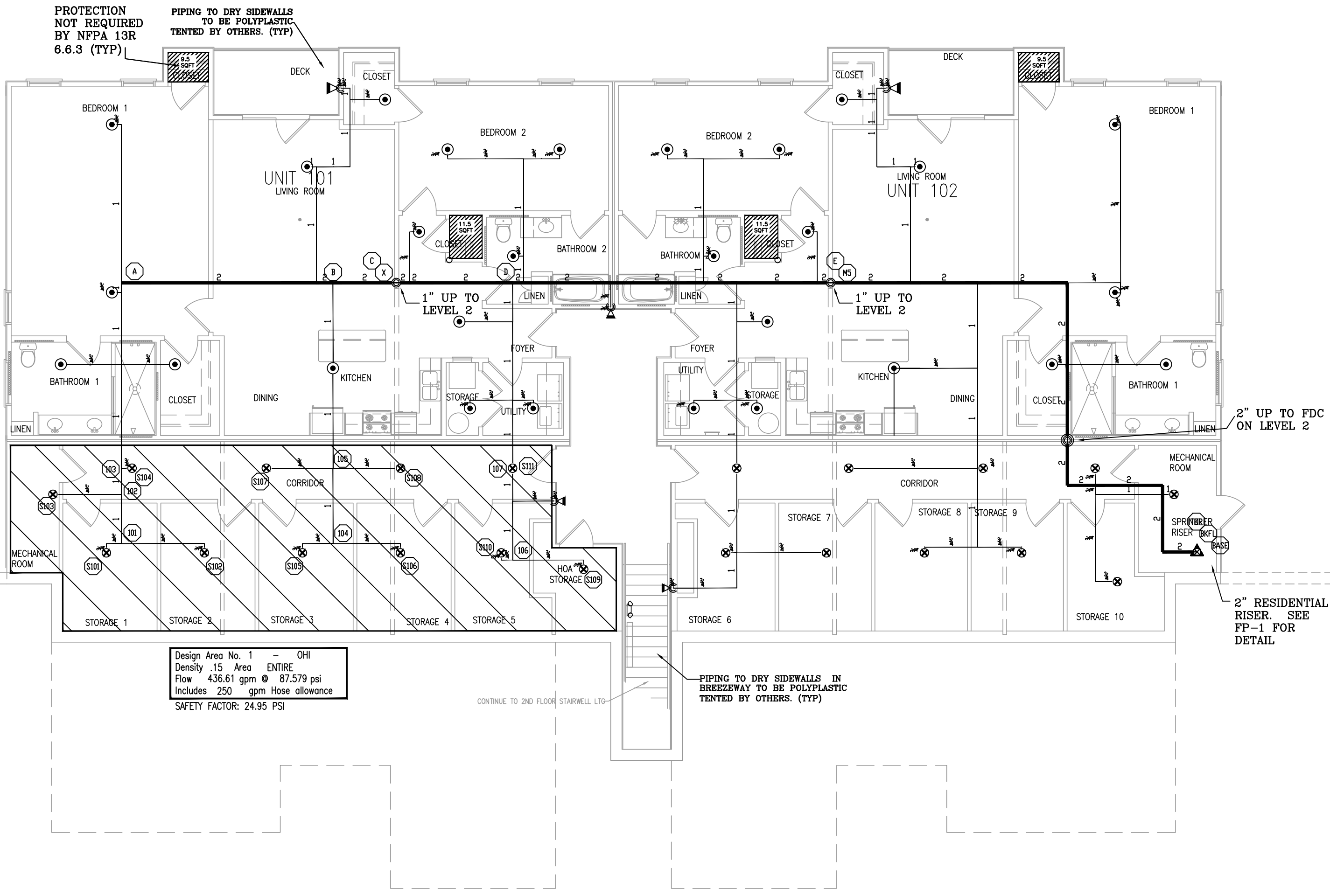
JRB

JEANNETTE R. BARTH, SET
LEVEL IV - WATER-BASED SYSTEMS LAYOUT
NICET #122591 | NC LICENSE - #35920
SUMMIT FIRE & SECURITY
NORTH CAROLINA STATE LICENSE #29733

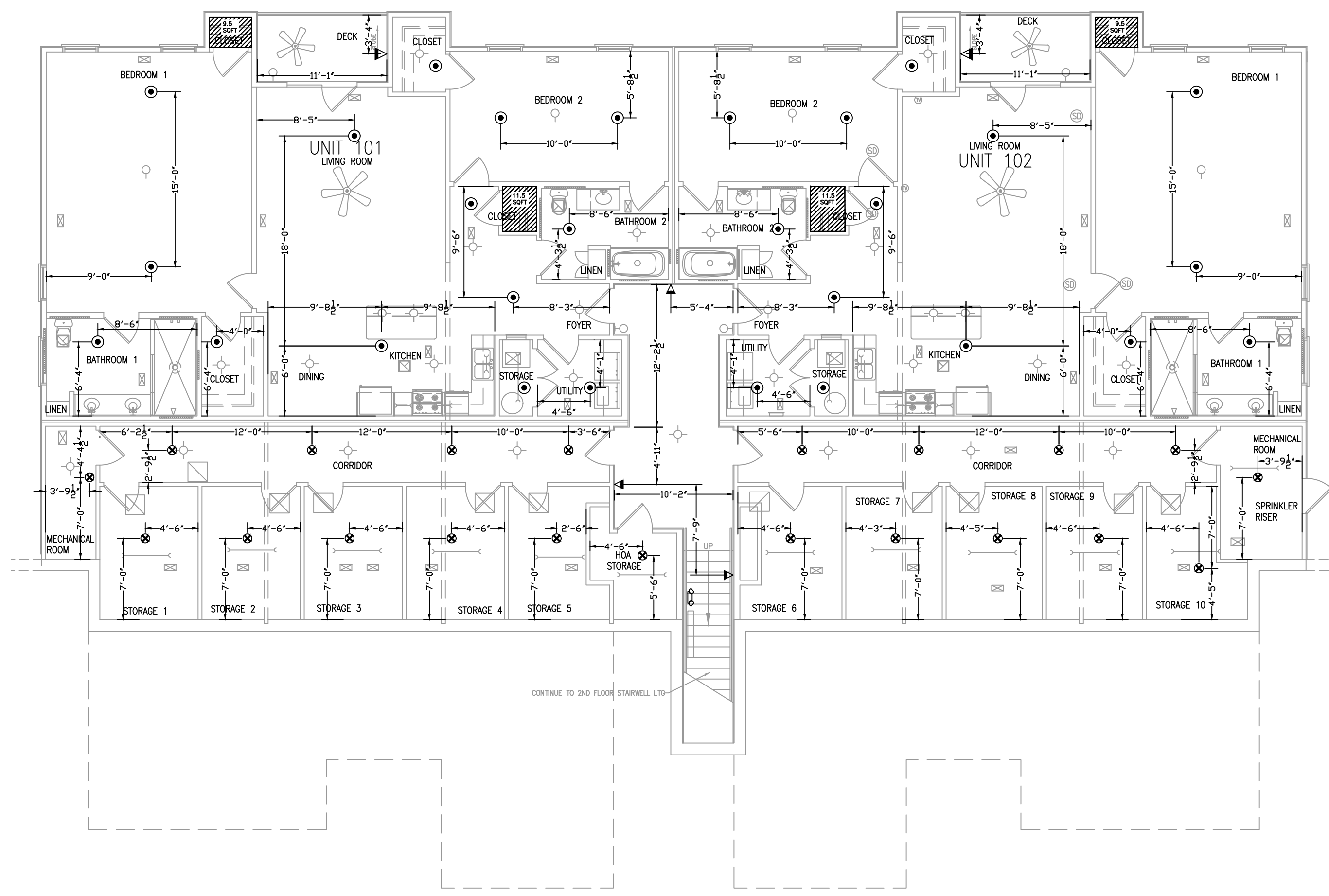
SPRINKLER LEGEND

-  NO HEADS REQUIRED
-  REMOTE AREA

SPRINKLER SUMMARY											
SYM	TYPE	FINISH	TEMP	ORIF.	"K"	NPT	MANUF.	SIN#	ESCUTCHEON	QTY.	
⊗	QR PENDENT	WHITE	175°	1/2"	5.6K	1/2"	VIKING	VK3021	SEMI-RECESSED	21	
⊙	QR RES. PENDENT	WHITE	175°	1/2"	4.9K	1/2"	VIKING	VK468	SEMI-RECESSED	28	
△	QR DRY SIDEWALL	CHROME	155°	1/2"	5.6K	1/2"	VIKING	VK178	ADJ. STANDARD	5	
◻	QR RES. SIDEWALL	WHITE	175°	1/2"	4.2	1/2"	VIKING	VK484	SEMI-RECESSED	0	
										0	
										0	
										0	
										0	
TOTAL SPRINKLERS THIS PROJECT							177	TOTAL SPRINKLERS THIS DRAWING			54



BLDG 16 - 1ST FLOOR PIPING PLAN
1/8"=1'-0"



BLDG 16 - 1ST FLOOR REFLECTED CEILING PLAN
1/8"=1'-0"

APPROVING AGENCIES
 APPROVING AUTHORITY: HARNETT COUNTY
 UNDERWRITER: N/A
 GENERAL CONTRACTOR: H&H CONSTRUCTORS, INC.
 ADDRESS: 2819 BRIDGEWOOD AVE STE 100
 CITY & STATE: FAYETTEVILLE, NC 28303
 PHONE NO.: 910-560-2425
 FAX NO.: N/A

SYSTEM DESIGN CRITERIA
 TYPE SYSTEM: DWY DELUCE 100 101 102 103 104 105
 PRELIMINARY: YES NO
 OCCUPANCY: RESIDENTIAL - 1BR
 HAZARD: RESIDENTIAL
 MAXIMUM SPACING: SEE HFD. CALC.
 LOCAL HOSE THREADS: N.S.T.
 SPRINKLERS: ARE REQUIRED TO BE LOCATED IN THE CENTER OF THE CEILING TILES.
 LINE FITTINGS: CPVC
 MAIN PIPING: CPVC

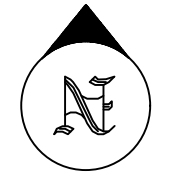
GENERAL NOTES
 1. Fire Protection System shall be installed in accordance with NFPA 13R, 2010 Edition, and all applicable codes and regulations.
 2. All C.P. Protection: The owner is responsible for all decisions regarding protection of the system.
 3. All C.P. Protection: The owner is responsible for all decisions regarding protection of the system.
 4. Under no circumstances shall the contractor be held responsible for any damage to the system or components due to fire or other causes.
 5. This drawing is the property of Summit Fire & Security and is not to be duplicated without the written consent of Summit Fire & Security.
 6. Materials testing will only be performed with water unless otherwise specified.
 7. Materials testing will only be performed with water unless otherwise specified.
 8. Materials testing will only be performed with water unless otherwise specified.
 9. Materials testing will only be performed with water unless otherwise specified.
 10. Materials testing will only be performed with water unless otherwise specified.

GRAPHIC SCALE: 1/8" = 1'-0"
 REVISIONS
 NO. DATE DESCRIPTION
 1 8/7/23 SUBMITTAL TO AHI

170 BOUNDARY DRIVE
 RALPH, NC 28153
 PHONE: 919.675.1501
SUMMIT
 FIRE & SECURITY
 ENGINEERING & CONSULTING
 INSTALLATION
 INSPECTION & TESTING
 SERVICE & MAINTENANCE
 JOB #: 1-5046-00297
 DATE: 8/7/23
 DRAWN BY: J. BURROWS
 SCALE: AS NOTED
 DRAWING #: BLDG 16 LEVEL 1 PIPING AND RCP
 FAIRWAY POINTE BLDG 5
 FAIRWAY POINTE DR
 ANDERSON CREEK, NC 28390
 2 OF 4

I HAVE REVIEWED THESE PLANS AND CERTIFY THAT THEY COMPLY WITH THE ADOPTED NFPA STANDARDS.

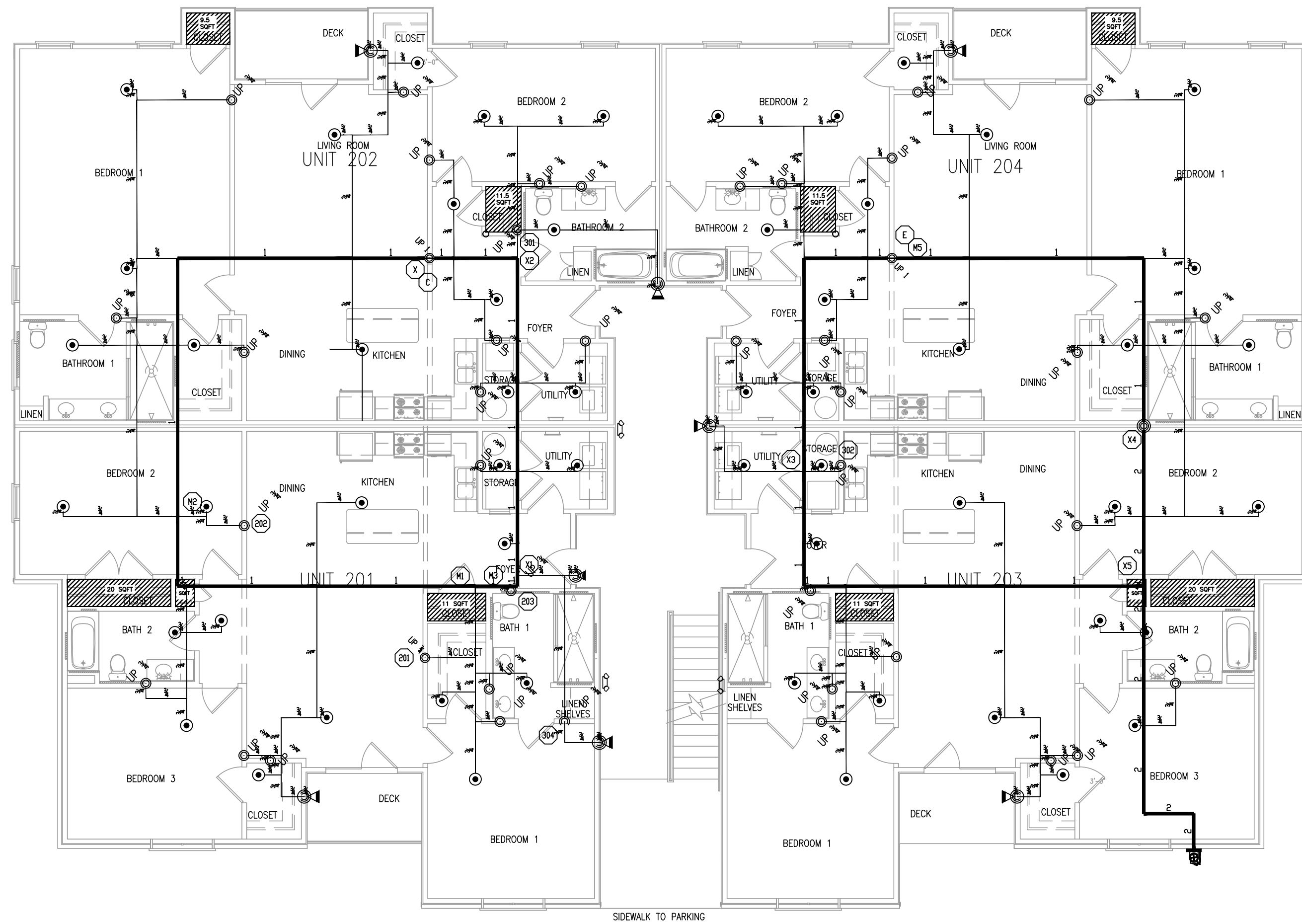
 JEANNETTE R. BARTH, SET
 LEVEL IV - WATER-BASED SYSTEMS LAYOUT
 NICET #122591 | NC LICENSE - #35920
 SUMMIT FIRE & SECURITY
 NORTH CAROLINA STATE LICENSE #29733



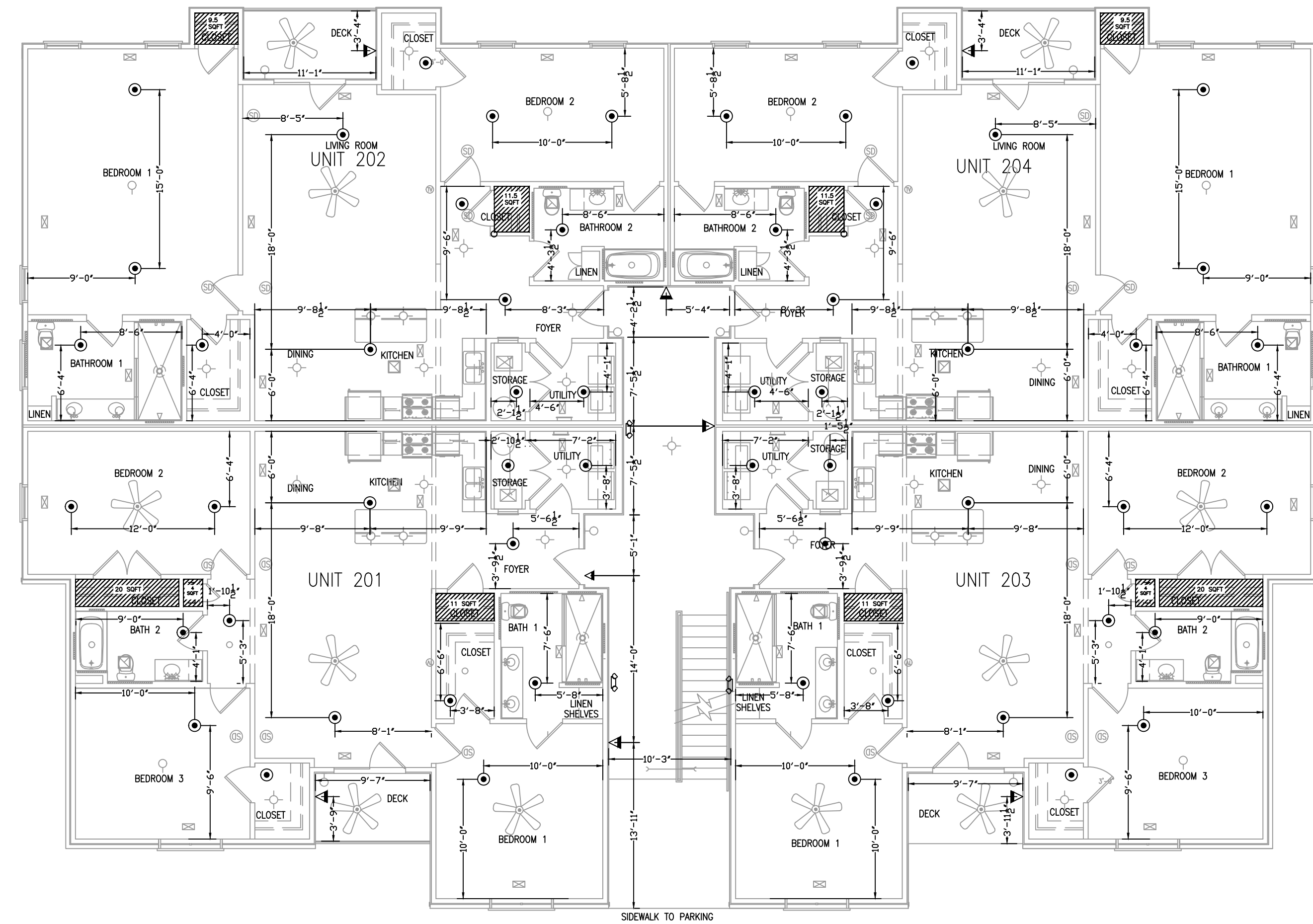
SPRINKLER LEGEND

-  NO HEADS REQUIRED
-  REMOTE AREA

SPRINKLER SUMMARY											
SYM	TYPE	FINISH	TEMP	ORIF.	"K"	NPT	MANUF.	SIN#	ESCUTCHEON	QTY.	
⊗	QR PENDENT	WHITE	175°	1/2"	5.6K	1/2"	VIKING	VK3021	SEMI-RECESSED	0	
⊙	QR RES. PENDENT	WHITE	175°	1/2"	4.9K	1/2"	VIKING	VK468	SEMI-RECESSED	56	
△	QR DRY SIDEWALL	CHROME	155°	1/2"	5.6K	1/2"	VIKING	VK178	ADJ. STANDARD	8	
◻	QR RES. SIDEWALL	WHITE	175°	1/2"	4.2	1/2"	VIKING	VK484	SEMI-RECESSED	0	
										0	
										0	
										0	
										0	
										0	
TOTAL SPRINKLERS THIS PROJECT							177	TOTAL SPRINKLERS THIS DRAWING			64



BLDG 16 - 2ND FLOOR PIPING PLAN
1/8"=1'-0"



BLDG 16 - 2ND FLOOR REFLECTED CEILING PLAN
1/8"=1'-0"

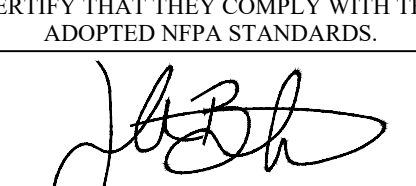
APPROVING AGENCIES
 APPROVING AUTHORITY: HARNETT COUNTY
 UNDERWRITER: N/A
 GENERAL CONTRACTOR: H&H CONSTRUCTORS, INC.
 ADDRESS: 2919 BREEZEWOOD AVE STE 100
 CITY & STATE: FAYETTEVILLE, NC 28303
 PHONE NO.: 910-560-2425
 FAX NO.: N/A

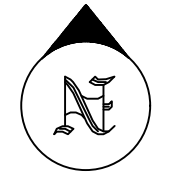
SYSTEM DESIGN CRITERIA
 TYPE SYSTEM: WET
 DEFUEL: NO
 PRE-INSTALLED: NO
 OCCUPANCY: RESIDENTIAL - 1BR
 MAXIMUM SPACING: SEE INT. CALC.
 SPRINKLERS: ARE REQUIRED TO BE LOCATED IN THE CENTER OF THE CEILING TILES.
 PIPE TYPES AND FITTINGS TYPES: PIPE FITTINGS: CPVC
 MAIN FITTINGS: CPVC

GENERAL NOTES
 1. Fire Protection: This plan shows the layout of the fire protection system for the building. It is intended to be used in conjunction with the fire protection specifications and the fire protection code of the jurisdiction.
 2. M.C. Protection: The owner is responsible for all decisions regarding the protection of the building. The fire protection system is designed to protect the building and its contents from fire.
 3. Installation: The fire protection system shall be installed in accordance with the fire protection code of the jurisdiction and the fire protection specifications.
 4. Underground piping to be installed in accordance with the fire protection code of the jurisdiction and the fire protection specifications.
 5. This drawing is the property of Summit Fire & Security and is not to be duplicated or used for any other purpose without the written consent of Summit Fire & Security.
 6. Hydrostatic testing will only be performed with water or air depending on the design temperature. Any other form of testing is excluded.

GRAPHIC SCALE: 1/8" = 1'-0"
 REVISIONS
 NO. DATE DESCRIPTION
 1 8/7/23 SUBMITTAL TO A/EH

170 BOUNDARY DRIVE
 RALPH, NC 28133
 PHONE: 919.675.1501
SUMMIT
 FIRE & SECURITY
 ENGINEERING & CONSULTING
 INSTALLATION
 INSPECTION & TESTING
 SERVICE & MAINTENANCE
 DRAWING #:
 BLDG 16 - LEVEL 2 PIPING AND RCP
 DATE: 4/20/23
 DRAWN BY: J. BURROWS
 SCALE: AS NOTED
 DRAWING #:
 FAIRWAY POINTE BLDG 16
 FAIRWAY POINTE DR
 ANDERSON CREEK, NC 28390
 3 OF 4

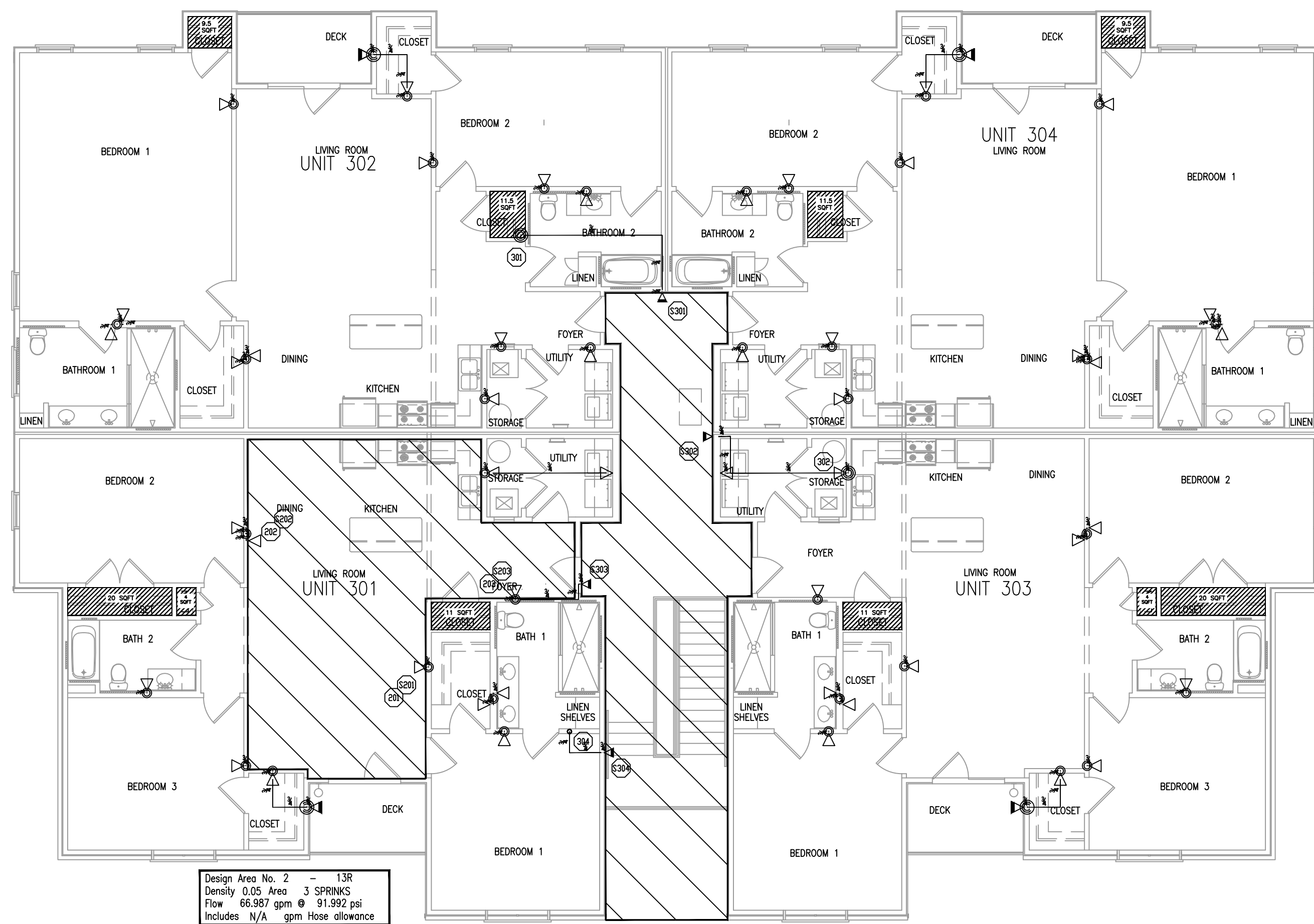
I HAVE REVIEWED THESE PLANS AND CERTIFY THAT THEY COMPLY WITH THE ADOPTED NFPA STANDARDS.

 JEANNETTE R. BARTH, SET
 LEVEL IV - WATER-BASED SYSTEMS LAYOUT
 NICET #122591 | NC LICENSE - #35920
 SUMMIT FIRE & SECURITY
 NORTH CAROLINA STATE LICENSE #29733



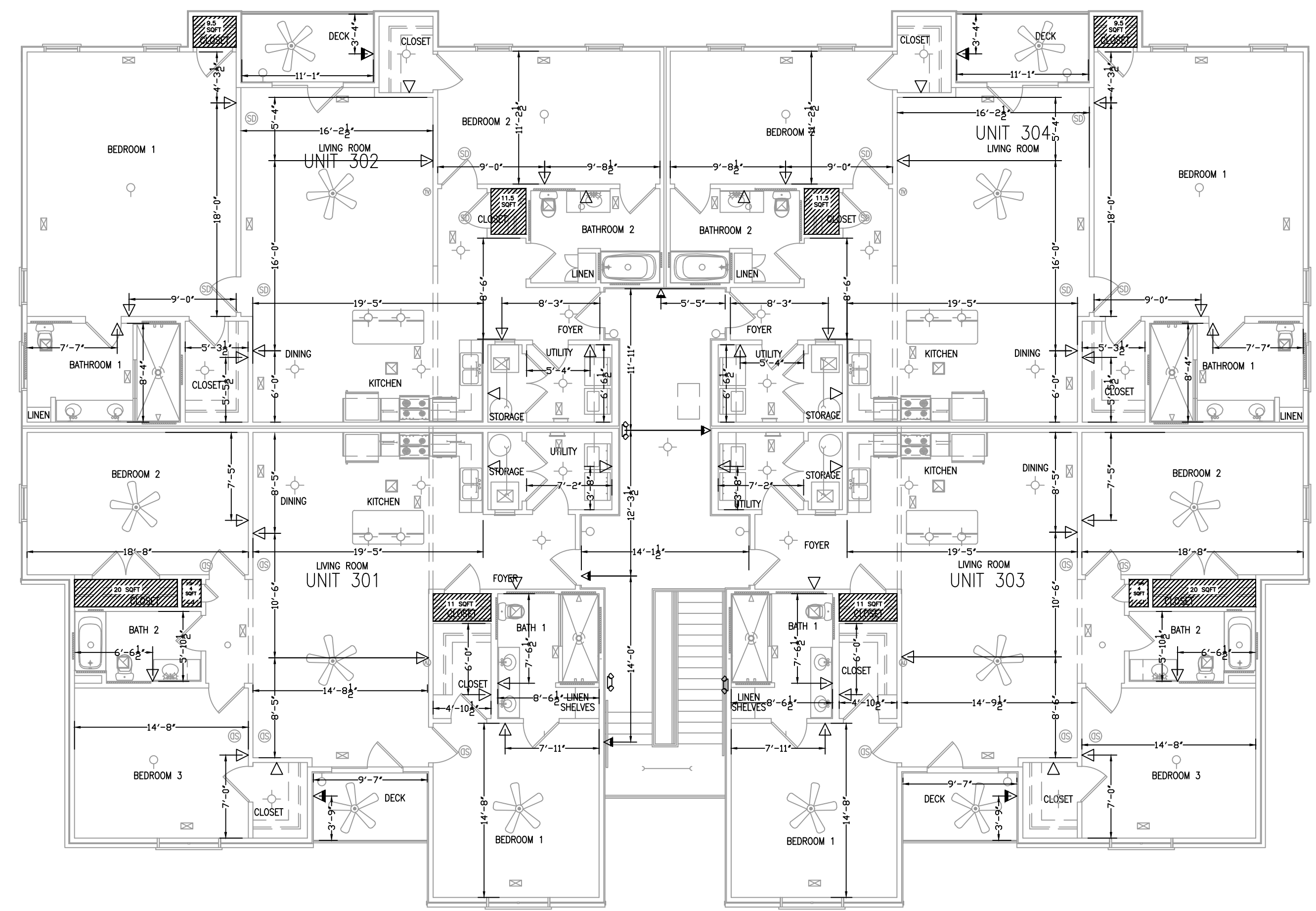
SPRINKLER LEGEND

-  NO HEADS REQUIRED
-  REMOTE AREA

SPRINKLER SUMMARY											
SYM	TYPE	FINISH	TEMP	ORIF.	"K"	NPT	MANUF.	SIN#	ESCUTCHEON	QTY.	
⊗	QR PENDENT	WHITE	175°	1/2"	5.6K	1/2"	VIKING	VK3021	SEMI-RECESSED	0	
⊙	QR RES. PENDENT	WHITE	175°	1/2"	4.9K	1/2"	VIKING	VK468	SEMI-RECESSED	0	
△	QR DRY SIDEWALL	CHROME	155°	1/2"	5.6K	1/2"	VIKING	VK178	ADJ. STANDARD	8	
▽	QR RES. SIDEWALL	WHITE	175°	1/2"	4.2	1/2"	VIKING	VK484	SEMI-RECESSED	50	
										0	
										0	
										0	
										0	
										0	
TOTAL SPRINKLERS THIS PROJECT							177	TOTAL SPRINKLERS THIS DRAWING			58



BLDG 16 - 3RD FLOOR PIPING PLAN
1/8"-1'-0"



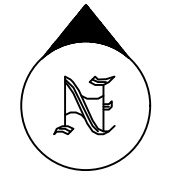
BLDG 16 - 3RD FLOOR REFLECTED CEILING PLAN
1/8"-1'-0"

APPROVING AGENCIES APPROVING AUTHORITY: HARNETT COUNTY UNDERWRITER: N/A GENERAL CONTRACTOR: H&H CONSTRUCTORS INC ADDRESS: 2919 BRZEZWOOD AVE STE 100 CITY & STATE: FAYETTEVILLE, NC 28303 PHONE NO.: 910-560-2425 FAX NO.: N/A	
SYSTEM DESIGN CRITERIA TYPE/SYSTEM: <input type="checkbox"/> DWY <input type="checkbox"/> DELUCE <input type="checkbox"/> INF/STANDARD <input type="checkbox"/> D/10 <input type="checkbox"/> D/15 <input type="checkbox"/> D/20 <input type="checkbox"/> D/25 OCCURANCY: <input type="checkbox"/> PRELIMINARY <input type="checkbox"/> RESIDENTIAL - 13R <input type="checkbox"/> RESIDENTIAL - 13R <input type="checkbox"/> RESIDENTIAL - 13R MAXIMUM SPACING: SEE BRD. CALC. LOCAL HOSE THREADS: N.S.T. SPRINKLERS: ARE REQUIRED TO BE LOCATED IN THE CENTER OF THE CEILING TILES. PIPE TYPES AND FITTING TYPES: LINE FITTINGS: CPVC MAIN PIPING: CPVC	
GENERAL NOTES 1. Fire Protection: This drawing is for the design of a fire sprinkler system with a 40°F F... 2. M.C. Protection: The owner is responsible for all decisions regarding protection... 3. Coordination: Such deviations shall not affect code compliance or scope of work... 4. Underground piping to be installed in a 2" diameter, 2-holed, rodent, flushed... 5. This drawing is property of Summit Fire & Security and is not to be duplicated... 6. Hydrostatic testing will only be performed with water or air depending on... 7. Hydrostatic testing will only be performed with water or air depending on...	
GRAPHIC SCALE: 1/8" = 1'-0" REVISIONS: NO. DATE DESCRIPTION SUBMITTED TO A/E/H 1 8/7/23	170 BOUNDARY DRIVE RALPH, NC 28153 PHONE: 919/675-1501 FAX: 919/675-1502 DRAWING #: 4 OF 4 BUILDING 16 - LEVEL 3 PIPING AND RCP FAIRWAY POINTE BLDG 16 FAIRWAY POINTE DR ANDERSON CREEK, NC 28390 SCALE: AS NOTED

I HAVE REVIEWED THESE PLANS AND CERTIFY THAT THEY COMPLY WITH THE ADOPTED NFPA STANDARDS.

JRB

JEANNETTE R. BARTH, SET
 LEVEL IV - WATER-BASED SYSTEMS LAYOUT
 NICET #122591 | NC LICENSE - #35920
 SUMMIT FIRE & SECURITY
 NORTH CAROLINA STATE LICENSE #29733





Raleigh: 1731 Roundrock Drive | Raleigh, NC 27615 | Tel: 919.872.3250
www.SummitFireSecurity.com

FAIRWAY POINTE BLDG 16
260 GALLERY DR
SPRING LAKE, NC 28390

SUBMITTAL PACKAGE

PRODUCT DATA
&
HYDRAULIC CALCULATIONS



TECHNICAL DATA

QUICK RESPONSE DRY HORIZONTAL SIDEWALL SPRINKLERS

The Viking Corporation, 210 N Industrial Park Drive, Hastings MI 49058

Telephone: 269-945-9501 Technical Services: 877-384-5464 Fax: 269-818-1680 Email: techsvcs@vikingcorp.com

Visit the Viking website for the latest edition of this technical data page: www.vikinggroupinc.com

1. DESCRIPTION

Viking Quick Response Dry Horizontal Sidewall Sprinklers are thermosensitive spray sprinklers suitable for use in areas subject to freezing. The sprinklers are designed for dry systems and preaction systems where it is necessary to prevent water or condensation from entering the drop nipple before sprinkler operation. They may also be installed in spaces subject to freezing and supplied from a wet system in an adjacent heated area.

Viking Quick Response Dry HSW Sprinklers are available in various finishes and temperature ratings to meet design requirements. The special Polyester and Electroless Nickel PTFE (ENT) coatings have been investigated for installation in corrosive atmospheres and are listed/approved as corrosion resistant as indicated in the Approval Charts. (Note: FM Global has no approval classification for Polyester coatings as corrosion resistant.)

2. LISTINGS AND APPROVALS



cULus Listed: Category VNIV

FM Approved: Classes 2013 and 2015

NYC Approved: MEA 89-92-E, Volume 15

Refer to Approval Charts and Design Criteria for Listing and Approval that must be followed.

3. TECHNICAL DATA

Specifications:

Available since 1993.

Minimum Operating Pressure: 7 psi (0.5 bar)

Maximum Working Pressure: 175 psi (12 bar).

Factory tested hydrostatically to 500 psi (34.5 bar)

Thread size: 1" NPT or 25 mm BSPT

Nominal K-Factor: 5.6 U.S. (80.6 metric*) for all listed and approved lengths.

* Metric K-factor measurement shown is when pressure is measured in Bar. When pressure is measured in kPa, divide the metric K-factor shown by 10.0.

Glass-bulb fluid temperature rated to -65 °F (-55 °C)

Covered by the following U.S. Patent numbers: 8,636,075 and 8,376,060 and 10,220,231

Material Standards:

Frame Casting: Brass UNS-C84400

Deflector: Phosphor Bronze UNS-C51000

Bulb: Glass, nominal 3 mm diameter

Belleville Spring Sealing Assembly: Nickel Alloy, coated on both sides with PTFE Tape

Compression Screw: Brass UNS-C36000

Pip Cap: Brass UNS-C31400 or UNS-C31600

Pip Cap Adapter: Brass UNS-C36000

Orifice: Copper UNS-C22000 or UNS-C11000

Tube: ERW Hydraulic Steel Tube

Support (Internal): Stainless Steel UNS-S30400

Barrel: Steel Pipe UNS-G10260, Electrodeposited Epoxy Base finish

Barrel End and Threads: QM Brass

Sleeve (for Adjustable Standard style only): Brass UNS-C26000 or UNS-C26800

Escutcheon Materials:

Adjustable Standard Dry Escutcheons: Brass UNS-C26000 or UNS-C26800

Recessed Dry Escutcheons: Cold Rolled Steel UNS-G10080

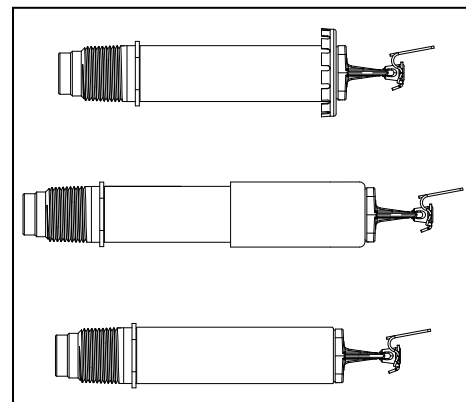
ENT Coated Adjustable and Recessed Escutcheons: Stainless Steel UNS-S30400

Ordering Information: (Also refer to the current Viking price list.)

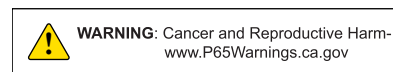
Order QR Dry HSW Sprinklers by first adding the appropriate suffix for the sprinkler finish, the appropriate suffix for the temperature rating, and then the suffix for the length ("A" dimension) to sprinkler base part number. Order in a specific length noted as the "A" dimension. The "A" dimension is the distance from the face of the fitting (tee) to the desired finished surface of the wall in which it is to be installed.

These sprinklers are listed and approved in lengths from 1-1/2" to 45-1/2" (38.1 mm to 1,156 mm) for the adjustable standard style, 3" to 47" (76.2 mm to 1,194 mm) for the plain barrel style, and 3-1/4" to 47-1/2" (82.5 mm to 1,207 mm) for the adjustable recessed style. Lengths exceeding the standard lengths are available, with no approvals, on a "made-to-order" basis: Recessed Dry HSW up to 65-1/2" (1,664 mm). Adjustable Standard Dry HSW up to 63-1/2" (1,613 mm). Plain Barrel Dry HSW up to 65" (1,651 mm). Contact the manufacturer for more information.

Finish Suffix: Brass = A, Chrome = F, White Polyester = M-W, and ENT = JN



For Light Hazard Occupancies Only





TECHNICAL DATA

QUICK RESPONSE DRY HORIZONTAL SIDEWALL SPRINKLERS

The Viking Corporation, 210 N Industrial Park Drive, Hastings MI 49058

Telephone: 269-945-9501 Technical Services: 877-384-5464 Fax: 269-818-1680 Email: techsvcs@vikingcorp.com

Visit the Viking website for the latest edition of this technical data page: www.vikinggroupinc.com

Temperature Suffix: 155 °F (68 °C) = B, 175 °F (79 °C) = D, 200 °F (93 °C) = E, 286 °F (141 °C) = G
Escutcheon Suffix = Y for the adj. recessed sprinkler with the Model G-1 Escutcheon (no suffix needed for the Model E-1 Escutcheon).
For example, sprinkler VK182 with 1" NPT Threads, a Chrome finish, a 155 °F (68 °C) temperature rating, the Model G-1 Escutcheon, and "A" length of 10" = Part No. 08386UFBY10.

Available Finishes And Temperature Ratings: Refer to Table 1.

Accessories: (Also refer to the "Sprinkler Accessories" section.)

Sprinkler Wrenches:

A. Standard Wrench: Part No. 07297W/B (available since 1991)

B. Wrench for recessed sprinklers: Part No. 07565W/B** (available since 1991)

**A ½" ratchet is required (not available from Viking).

Replacement Escutcheons:

A. Adjustable Standard Dry Escutcheon: Base Part No. 08086F

B. Model E-1 Recessed Dry Escutcheon Cup: Base Part No. 05459A

C. Model G-1 Recessed Dry Escutcheon Cup: Base Part No. 20133

4. INSTALLATION

Refer to appropriate NFPA Installation Standards.

5. OPERATION

During fire conditions, the heat-sensitive liquid in the glass bulb expands, causing the glass to shatter, releasing the internal parts to open the water-way. Water flowing through the sprinkler orifice strikes the sprinkler deflector, forming a uniform spray pattern to extinguish or control the fire.

6. INSPECTIONS, TESTS AND MAINTENANCE

Refer to NFPA 25 for Inspection, Testing and Maintenance requirements.

7. AVAILABILITY

The Viking Quick Response Dry Horizontal Sidewall Sprinkler is available through a network of domestic and international distributors. See The Viking Corporation web site for the closest distributor or contact The Viking Corporation.

8. GUARANTEE

For details of warranty, refer to Viking's current list price schedule or contact Viking directly.

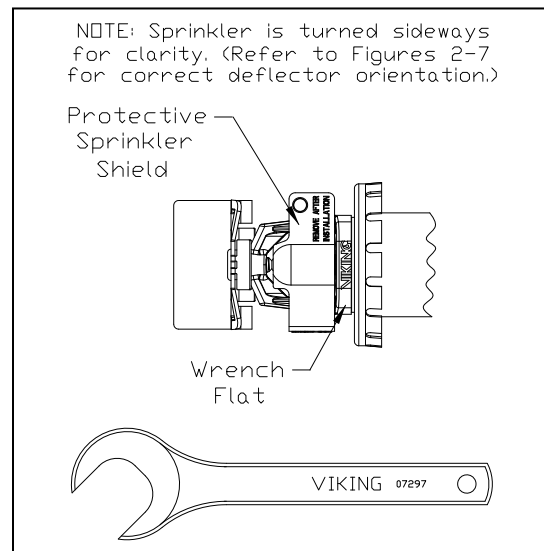


Figure 1:
Standard Sprinkler Wrench 07297W/B

TABLE 1: AVAILABLE SPRINKLER TEMPERATURE RATINGS AND FINISHES

Sprinkler Temperature Classification	Sprinkler Nominal Temperature Rating ¹	Maximum Ambient Ceiling Temperature ²	Bulb Color
Ordinary	155 °F (68 °C)	100 °F (38 °C)	Red
Intermediate	175 °F (79 °C)	150 °F (65 °C)	Yellow
Intermediate	200 °F (93 °C)	150 °F (65 °C)	Green
High	286 °F (141 °C)	225 °F (107 °C)	Blue

Sprinkler Finishes: Brass, Chrome, White Polyester, and ENT

Corrosion-Resistant Coating^{3,4}: White Polyester and ENT in all temperature ratings

Footnotes

¹ The sprinkler temperature rating is stamped on the deflector.

² Based on NFPA-13. Other limits may apply, depending on fire loading, sprinkler location, and other requirements of the Authority Having Jurisdiction. Refer to specific installation standards.

³ The corrosion-resistant Polyester and ENT coatings have passed the standard corrosion test required by the approving agencies indicated in the Approval Charts. These tests cannot and do not represent all possible corrosive environments. Note: These coatings are NOT corrosion proof. Prior to installation, verify through the end-user that the coatings are compatible with or suitable for the proposed environment. Polyester and ENT coatings are applied to the exposed exterior surfaces only. Note that the spring is exposed on sprinklers with Polyester and ENT coatings.

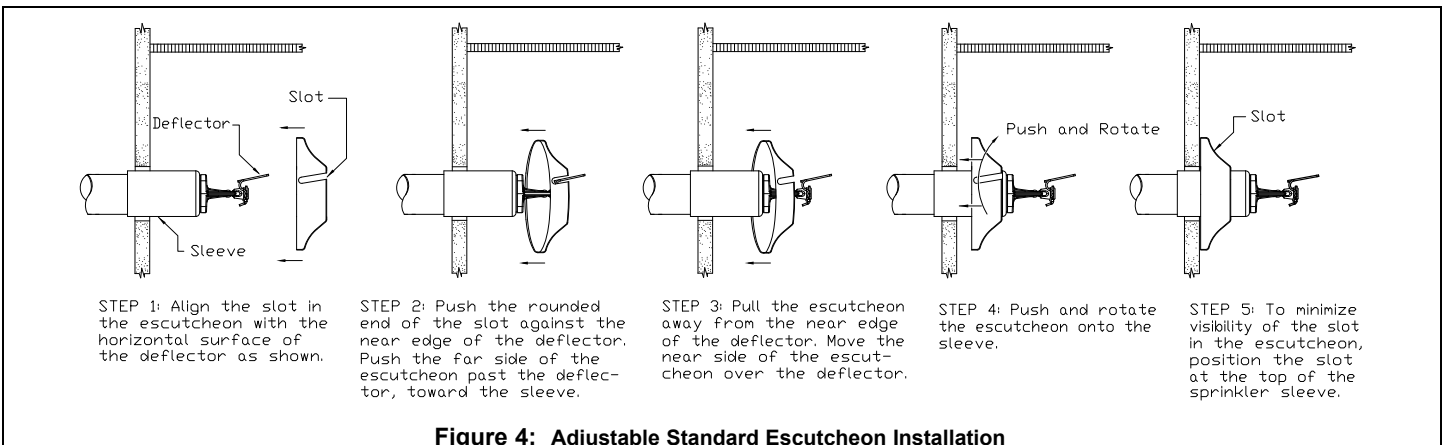
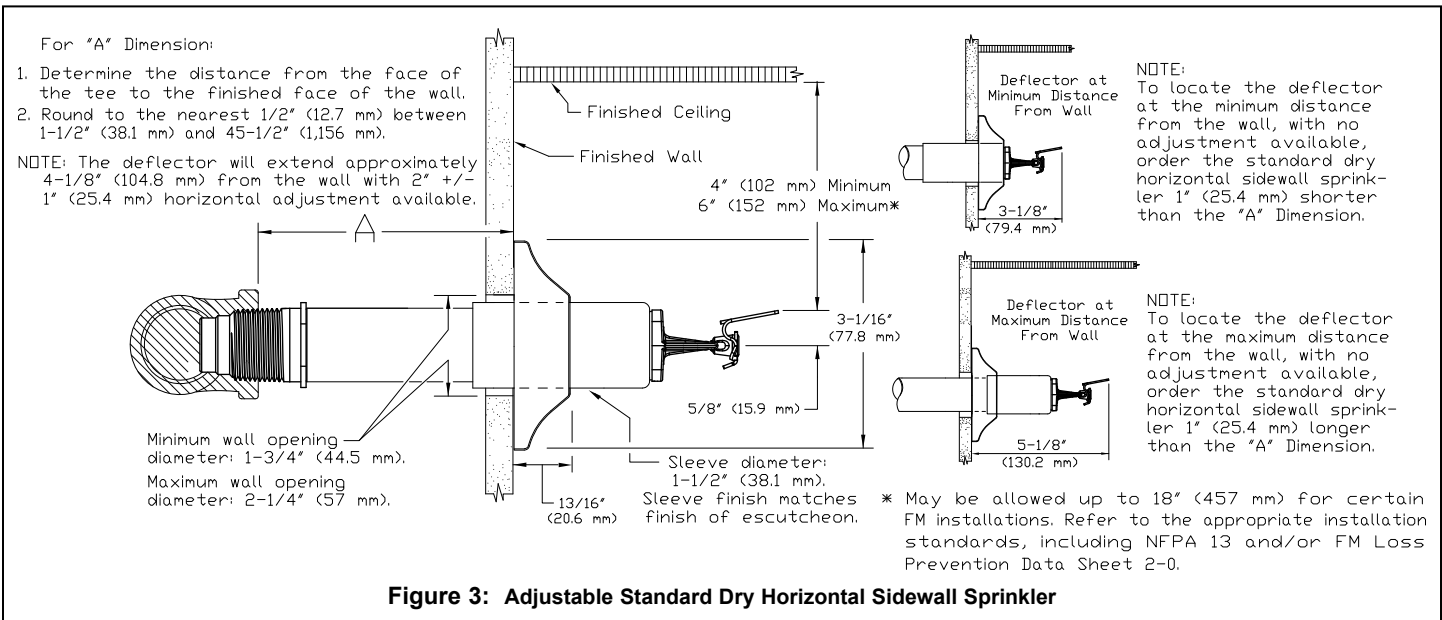
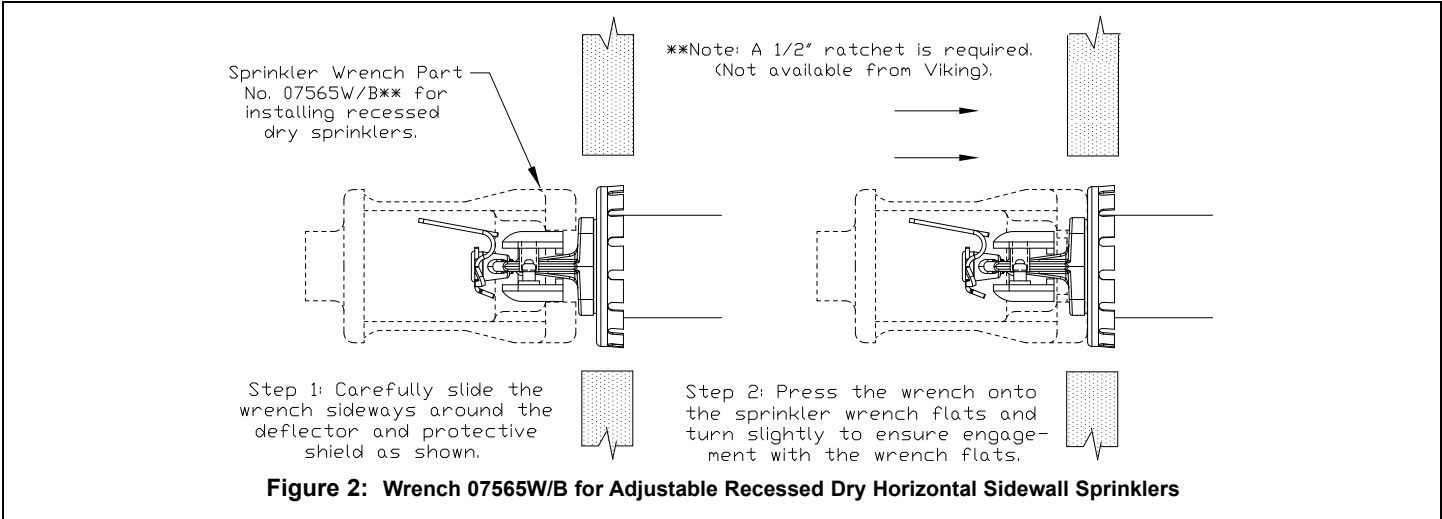
⁴ When installed in some corrosive environments, the Polyester finish may change color. This natural discoloration over time is not in itself an indication of corrosion and should not be treated as such. All sprinklers installed in corrosive environments should be replaced or tested as described in NFPA 25 on a more frequent basis.



TECHNICAL DATA

**QUICK RESPONSE
DRY HORIZONTAL
SIDEWALL SPRINKLERS**

The Viking Corporation, 210 N Industrial Park Drive, Hastings MI 49058
 Telephone: 269-945-9501 Technical Services: 877-384-5464 Fax: 269-818-1680 Email: techsvcs@vikingcorp.com
 Visit the Viking website for the latest edition of this technical data page: www.vikinggroupinc.com



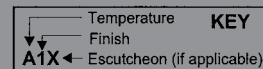


TECHNICAL DATA

**QUICK RESPONSE
DRY HORIZONTAL
SIDEWALL SPRINKLERS**

The Viking Corporation, 210 N Industrial Park Drive, Hastings MI 49058
 Telephone: 269-945-9501 Technical Services: 877-384-5464 Fax: 269-818-1680 Email: techsvcs@vikingcorp.com
 Visit the Viking website for the latest edition of this technical data page: www.vikinggroupinc.com

Approval Chart 1 (UL)
 Quick Response Dry Horizontal Sidewall Sprinklers
 For Light Hazard Occupancies Only
 Maximum 175 PSI (12 bar) WWP



Sprinkler Base Part No. ¹	SIN	Style	Thread Size		Nominal K-Factor ²		Order Length Increment		Listings and Approvals ⁴ (Refer also to Design Criteria on page 106e.)						
			NPT	BSPT	U.S.	metric ³	Inches	mm	cULus ⁵	NYC ⁶	VdS	LPCB	CE	⚙️	
08384U	VK178	Adjustable	1"	--	5.6	80.6	1/2"	12.7	A1, A5	A1	--	--	--	--	
16458U		Standard	--	25 mm	--	80.6	1/2"	12.7	A1, A5	--	--	--	--	--	
08386U	VK182	Adjustable	1"	--	5.6	80.6	1/4"	6.35	B2, B6	B2	--	--	--	--	
16454U		Recessed	--	25 mm	--	80.6	1/4"	6.35	B2, B6	--	--	--	--	--	
08388U	VK174	Plain Barrel	1"	--	5.6	80.6	1/2"	12.7	A3	A4	--	--	--	--	
16456U			--	25 mm	--	80.6	1/2"	12.7	A3	--	--	--	--	--	

Approved Temperature Ratings

A - 155 °F (68 °C), 175 °F (79°C), 200 °F (93 °C), and 286 °F (141 °C)
 B - 155 °F (68 °C), 175 °F (79 °C), and 200 °F (93 °C)

Approved Finishes and "A" Dimensions

1* - Chrome, or White Polyester⁷ sprinkler with a Chrome, Brass, or White Polyester Sleeve and Escutcheon with "A" dimensions 1-1/2" to 45-1/2" (38.1 mm to 1,156 mm)
 2* - Chrome, or White Polyester⁷ with "A" dimensions 3-1/4" to 47-1/2" (82.5 mm to 1,207 mm)
 3 - Chrome, Brass, White Polyester⁷, or ENT⁷ with "A" dimensions 3" to 47" (76.2 mm to 1,194 mm)
 4 - Chrome or Brass with "A" dimensions 3" to 47" (76.2 mm to 1,194 mm)
 5 - ENT⁷ sprinkler with an ENT⁷ Sleeve and Escutcheon with "A" dimensions 1-1/2" to 45-1/2" (38.1 mm to 1,156 mm)
 6 - ENT⁷ with "A" dimensions 3-1/4" to 47-1/2" (82.5 mm to 1,207 mm)
 *Brass Finish is listed and approved but not standard offering, lead times of 6-8 weeks required.
 (Matching Brass escutcheons are not available.)

Footnotes

- ¹ Part number shown is the base part number. For complete part number, refer to current Viking price list schedule.
- ² K-Factor applies for standard lengths ("A" Dimensions indicated above).
- ³ Metric K-factor shown is for use when pressure is measured in bar. When pressure is measured in kPa, divide the metric K-factor shown by 10.0.
- ⁴ This chart shows the listings and approvals available at the time of printing. Other approvals may be in process. Check with the manufacturer for any additional approvals.
- ⁵ Listed by Underwriter's Laboratories for use in the U.S. and Canada for Light Hazard occupancies only.
- ⁶ Accepted for use, City of New York Department of Buildings, MEA Number 89-92-E, Vol. 15.
- ⁷ cULus Listed as corrosion resistant.

DESIGN CRITERIA - UL

(Also refer to Approval Chart 1 above.)

cULus Listing Requirements:

Quick Response Dry Horizontal Sidewall Sprinklers are cULus Listed as indicated in Approval Chart 1 for installation in accordance with the latest edition of NFPA 13 for standard spray sprinklers.

- Limited to Light Hazard occupancies only.
- Protection areas and maximum spacing shall be in accordance with the tables provided in NFPA 13.
- Minimum spacing allowed is 6 ft. (1.8 m).
- Deflector must be positioned between 4" and 6" (102 mm and 152 mm) below the ceiling. Keep the top of the deflector oriented parallel with the ceiling.
- Locate no less than 4" (102 mm) from end walls.
- Maximum distance from end walls shall be no more than one-half of the allowable distance between sprinklers. The distance shall be measured perpendicular to the wall.
- The sprinkler installation and obstruction rules contained in NFPA 13 for sidewall standard spray sprinklers must be followed.

IMPORTANT: Always refer to Bulletin Form No. F_091699 - Care and Handling of Sprinklers. Also refer to Form No. F_080614 for general care, installation, and maintenance information. Viking sprinklers are to be installed in accordance with the latest edition of Viking technical data, the appropriate standards of NFPA, LPCB, APSAD, VdS or other similar organizations, and also with the provisions of governmental codes, ordinances, and standards, whenever applicable.



TECHNICAL DATA

QUICK RESPONSE DRY HORIZONTAL SIDEWALL SPRINKLERS

The Viking Corporation, 210 N Industrial Park Drive, Hastings MI 49058
 Telephone: 269-945-9501 Technical Services: 877-384-5464 Fax: 269-818-1680 Email: techsvcs@vikingcorp.com
 Visit the Viking website for the latest edition of this technical data page: www.vikinggroupinc.com

Approval Chart 2 (FM)

Quick Response Dry Horizontal Sidewall Sprinklers
 For Light Hazard Occupancies Only

Maximum 175 PSI (12 bar) WWP

KEY	
Temperature	—
Finish	↓
Escutcheon (if applicable)	A1X ←

Sprinkler Base Part No. ¹	SIN	Style	Thread Size		Nominal K-Factor ²		Order Length Increment		FM Approvals ⁴ (Refer also to Design Criteria below.)
			NPT	BSP	U.S.	metric ³	Inches	mm	
08384U	VK178	Adjustable Standard	1"	--	5.6	80.6	1/2"	12.7	A1
16458U			--	25 mm	--	80.6	1/2"	12.7	A1
08386U	VK182	Adjustable Recessed	1"	--	5.6	80.6	1/4"	6.35	B2
16454U			--	25 mm	--	80.6	1/4"	6.35	B2
08388U	VK174	Plain Barrel	1"	--	5.6	80.6	1/2"	12.7	A3
16456U			--	25 mm	--	80.6	1/2"	12.7	A3

Approved Temperature Ratings

A - 155 °F (68 °C), 175 °F (79 °C), 200 °F (93 °C), and 286 °F (141 °C)
 B - 155 °F (68 °C), 175 °F (79 °C), and 200 °F (93 °C)

Approved Finishes and "A" Dimensions

- 1* - Bright Brass, Chrome, White Polyester, or ENT⁵ with "A" dimensions 1-1/2" to 45-1/2" (38.1 mm to 1,156 mm)
 2* - Bright Brass, Chrome, White Polyester, or ENT⁵ with "A" dimensions 3-1/4" to 47-1/2" (82.5 mm to 1,207 mm)
 3 - Brass, Bright Brass, Chrome, White Polyester, or ENT⁵ "A" dimensions 3" to 47" (76.2 mm to 1,194 mm)

*Brass Finish is listed and approved but not standard offering, lead times of 6-8 weeks required.
 (Matching Brass escutcheons are not available.)

Footnotes

- ¹ Part number shown is the base part number. For complete part number, refer to current Viking price list schedule.
² K-Factor applies for standard lengths ("A" Dimensions indicated above).
³ Metric K-factor shown is for use when pressure is measured in bar. When pressure is measured in kPa, divide the metric K-factor shown by 10.0.
⁴ This chart shows the FM Approvals available at the time of printing. Other approvals may be in process. Check with the manufacturer for any additional approvals.
⁵ FM approved as corrosion resistant.

DESIGN CRITERIA - FM

(Also refer to Approval Chart 2 above.)

FM Approval Requirements:

The Dry HSW Sprinklers in the Approval Chart above are FM Approved as quick response **Non-storage** standard spray sprinklers as indicated in the FM Approval Guide. For specific application and installation requirements, reference the latest applicable FM Loss Prevention Data Sheets (including 2-0) and Technical Advisory Bulletins. FM Global Loss Prevention Data Sheets and Technical Advisory Bulletins contain guidelines relating to, but not limited to: minimum water supply requirements, hydraulic design, ceiling slope and obstructions, minimum and maximum allowable spacing, and deflector distance below the ceiling.

NOTE: The FM installation guidelines may differ from cULus and/or NFPA criteria.

IMPORTANT: Always refer to Bulletin Form No. F_091699 - Care and Handling of Sprinklers. Also refer to Form No. F_080614 for general care, installation, and maintenance information. Viking sprinklers are to be installed in accordance with the latest edition of Viking technical data, the appropriate standards of NFPA, FM Global, LPCB, APSAD, VdS or other similar organizations, and also with the provisions of governmental codes, ordinances, and standards, whenever applicable.



TECHNICAL DATA

**QUICK RESPONSE
DRY HORIZONTAL
SIDEWALL SPRINKLERS**

The Viking Corporation, 210 N Industrial Park Drive, Hastings MI 49058

Telephone: 269-945-9501 Technical Services: 877-384-5464 Fax: 269-818-1680 Email: techsvcs@vikingcorp.com

Visit the Viking website for the latest edition of this technical data page: www.vikinggroupinc.com

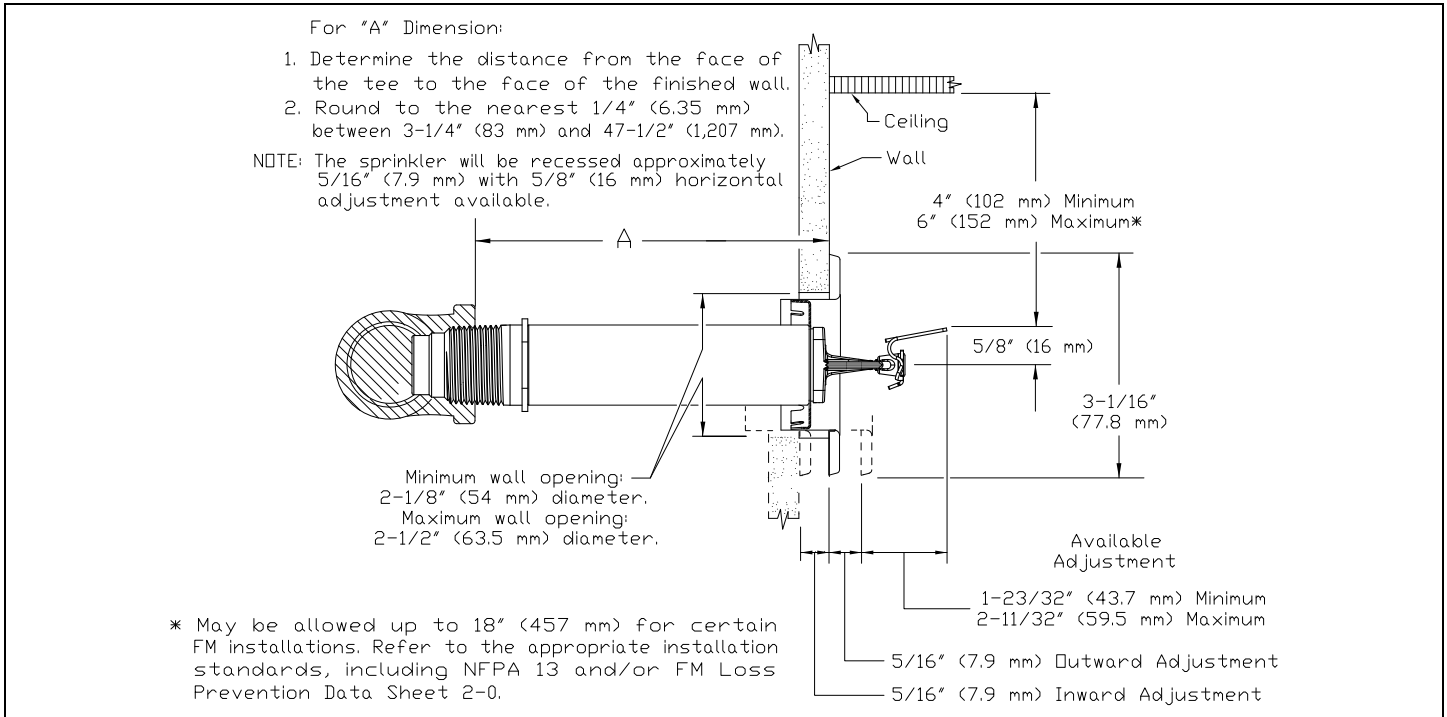


Figure 5: Adjustable Recessed Dry Horizontal Sidewall Sprinkler with the Model E-1 Escutcheon

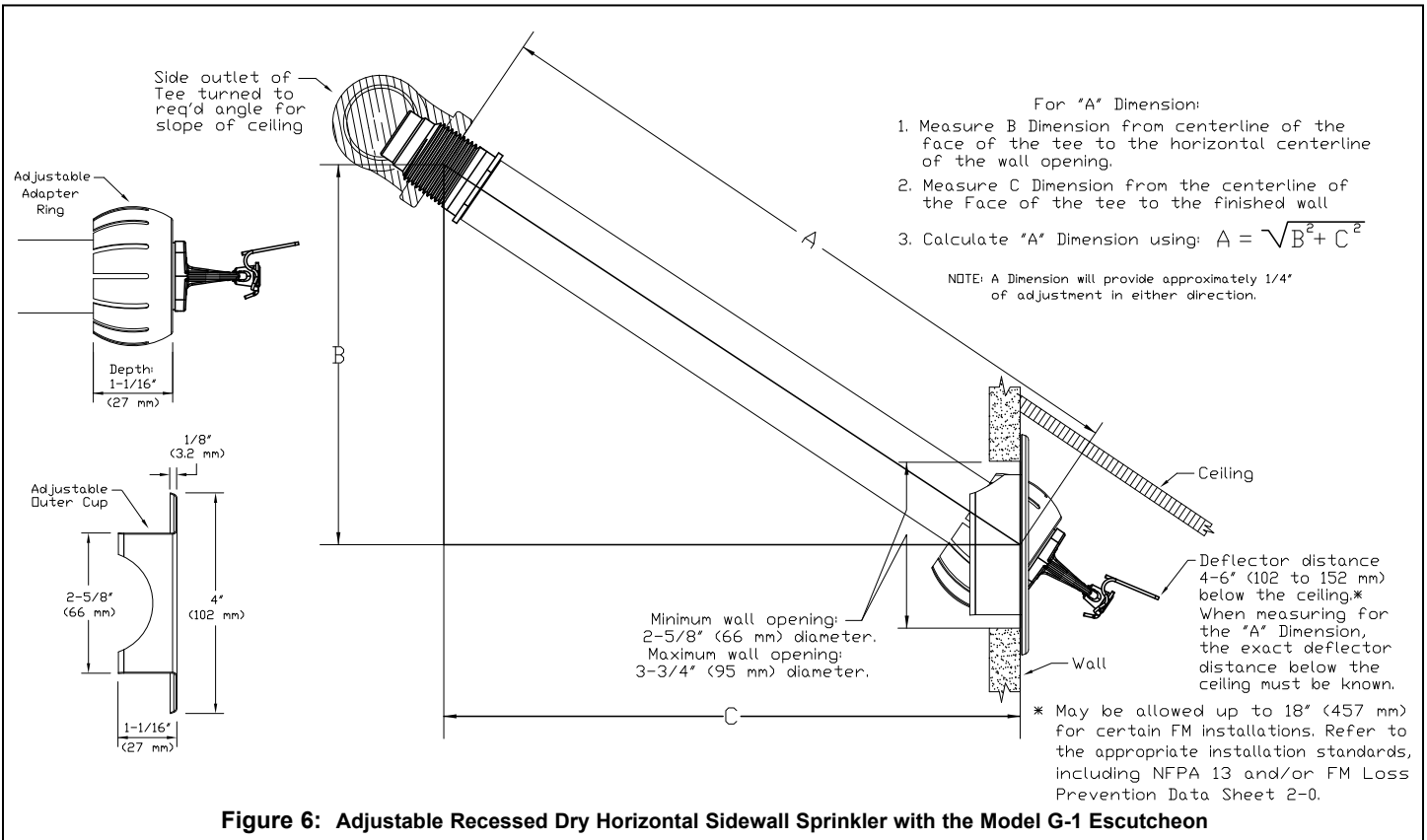


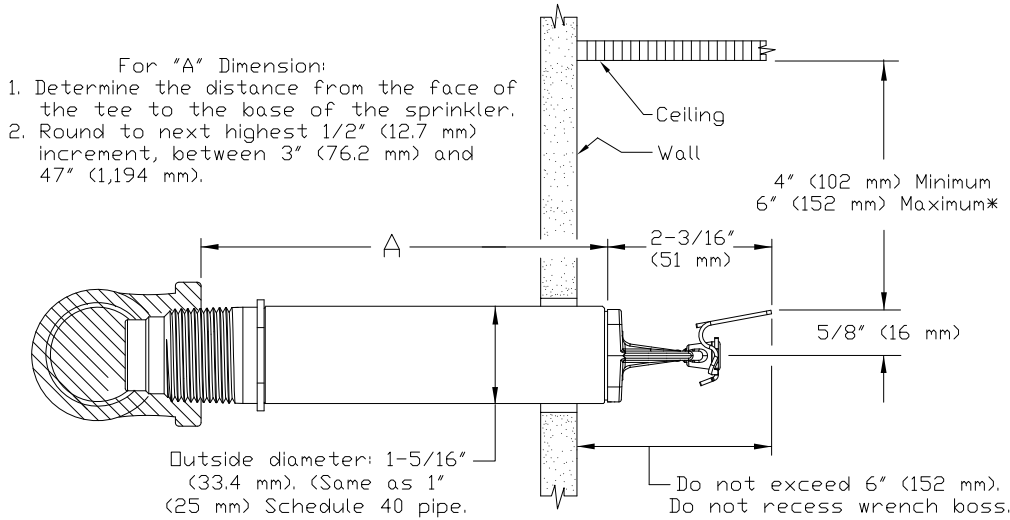
Figure 6: Adjustable Recessed Dry Horizontal Sidewall Sprinkler with the Model G-1 Escutcheon



TECHNICAL DATA

**QUICK RESPONSE
DRY HORIZONTAL
SIDEWALL SPRINKLERS**

The Viking Corporation, 210 N Industrial Park Drive, Hastings MI 49058
 Telephone: 269-945-9501 Technical Services: 877-384-5464 Fax: 269-818-1680 Email: techsvcs@vikingcorp.com
 Visit the Viking website for the latest edition of this technical data page: www.vikinggroupinc.com



* May be allowed up to 18" (457 mm) for certain FM installations. Refer to the appropriate installation standards, including NFPA 13 and/or FM Loss Prevention Data Sheet 2-0.

Figure 7: Quick Response Plain Barrel Dry Horizontal Sidewall Sprinkler



TECHNICAL DATA

**QUICK RESPONSE
DRY HORIZONTAL
SIDEWALL SPRINKLERS**

The Viking Corporation, 210 N Industrial Park Drive, Hastings MI 49058

Telephone: 269-945-9501 Technical Services: 877-384-5464 Fax: 269-818-1680 Email: techsvcs@vikingcorp.com

Visit the Viking website for the latest edition of this technical data page: www.vikinggroupinc.com

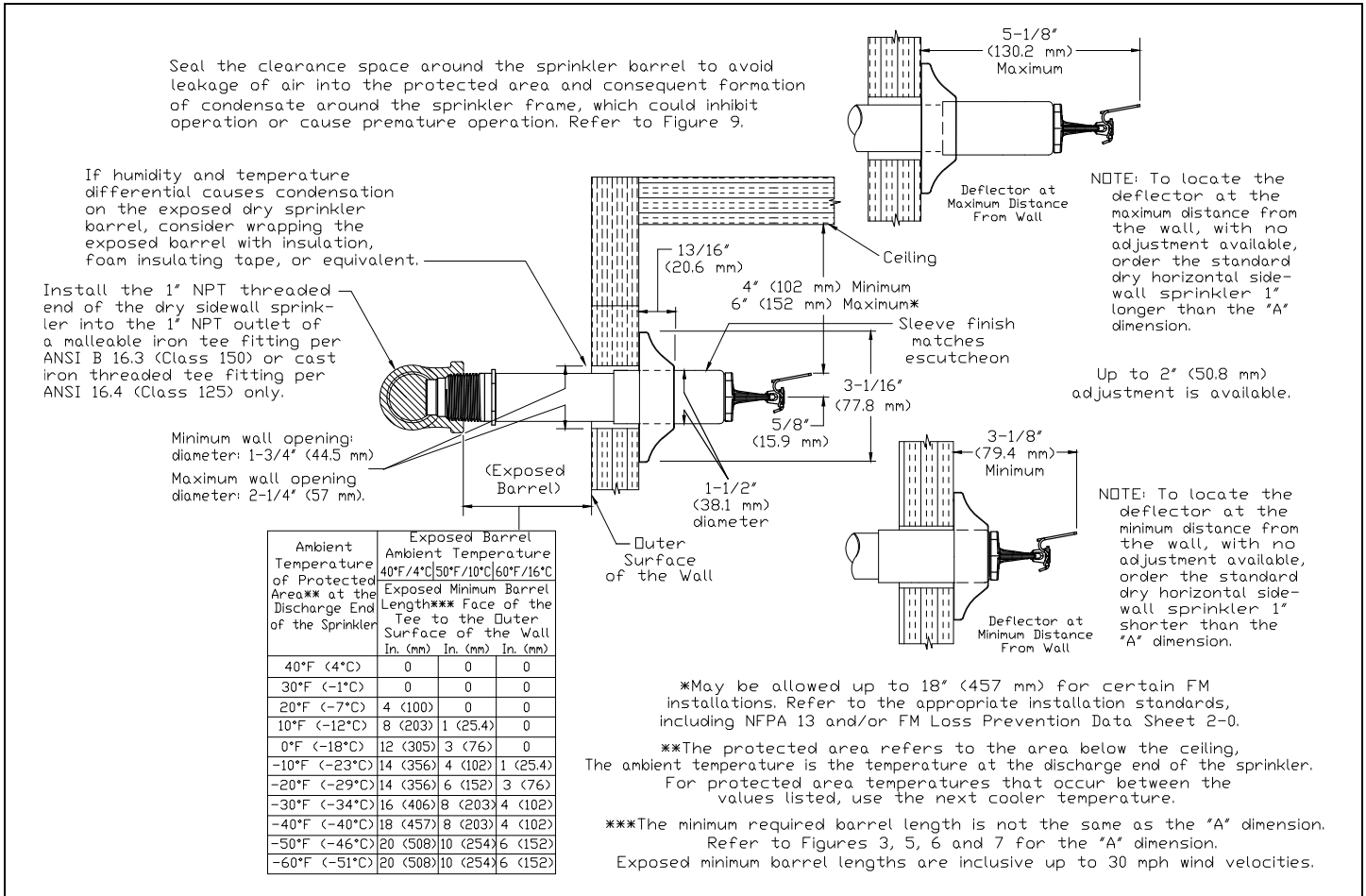


Figure 8: Dry Horizontal Sidwall Sprinkler Required Minimum Barrel Length Based on Ambient Temperature in the Protected Area (Adjustable Standard Dry HSW Sprinkler is Shown)

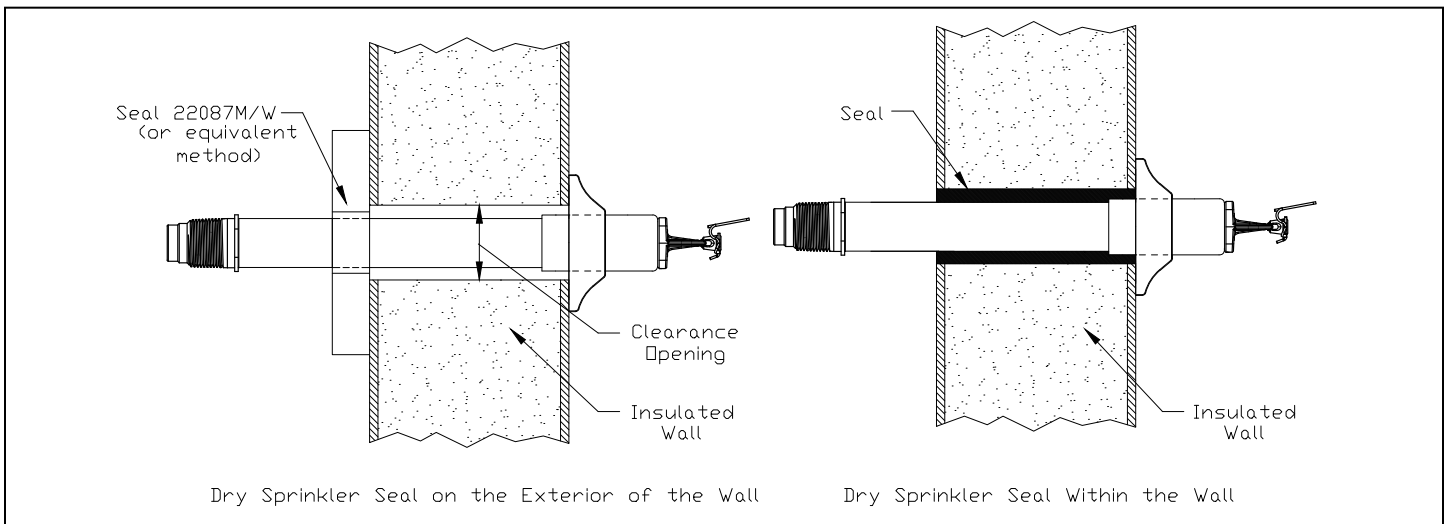


Figure 9: Dry Sprinkler Seal (Adjustable Standard Dry HSW Sprinkler is Shown)



TECHNICAL DATA

FREEDOM® RESIDENTIAL PENDENT SPRINKLER VK468 (K4.9)

The Viking Corporation, 210 N Industrial Park Drive, Hastings MI 49058

Telephone: 269-945-9501 Technical Services: 877-384-5464 Fax: 269-818-1680 Email: techsvcs@vikingcorp.com

Visit the Viking website for the latest edition of this technical data page www.vikinggroupinc.com

1. DESCRIPTION

Viking Freedom® Residential Pendent Sprinkler VK468 is a small, thermosensitive, glass-bulb residential sprinkler available in several different finishes and temperature ratings to meet varying design requirements. The Electroless Nickel PTFE (ENT) coating has been investigated for installation in corrosive atmospheres and is C-UL-US-EU Listed as corrosion resistant as indicated in the Approval Chart. The orifice design, with a K-Factor of 4.9 (70.6 metric†), allows efficient use of available water supplies for the hydraulically designed fire-protection system. The glass bulb operating element and special deflector characteristics meet the challenges of residential sprinkler standards.

2. LISTINGS AND APPROVALS



UL Listed (C-UL-US-EU): Category VKKW



VdS Approved

NYC Approved: MEA 89-92-E, Volume 35

UL Classified to: NSF/ANSI Standard 61, Drinking Water System Components (MH48034).



WARNING: Cancer and Reproductive Harm-
www.P65Warnings.ca.gov

Refer to the Approval Chart and Design Criteria for C-UL-US-EU Listing requirements that must be followed.

3. TECHNICAL DATA

Specifications:

Available since 2006.

Minimum Operating Pressure: Refer to the Approval Chart.

Maximum Working Pressure: 175 psi (12 bar). Factory tested hydrostatically to 500 psi (34.5 bar).

Thread size: 1/2" (15 mm) NPT

Nominal K-Factor: 4.9 U.S. (70.6 metric†)

†Metric K-factor measurement shown is in Bar. When pressure is measured in kPa, divide the metric K-factor shown by 10.0.

Glass-bulb fluid temperature rated to -65 °F (-55 °C)

Overall Length: 2-1/4" (58 mm)

Material Standards:

Frame Casting: Brass UNS-C84400 or QM Brass

Deflector: Brass UNS-C23000, Phosphor Bronze UNS-C51000, or Brass UNS-C26000

Bulb: Glass, nominal 3 mm diameter

Belleville Spring Sealing Assembly: Nickel Alloy, coated on both sides with Polytetrafluoroethylene (PTFE) Tape

Pip Cap and Insert Assembly: Copper UNS-C11000 and Stainless Steel UNS-S30400

Compression Screw: Brass UNS-C36000

For ENT coated sprinklers: Belleville spring - Exposed. Screw and Pipcap - ENT plated.

Ordering Information: (Also refer to the current Viking price list.)

Sprinkler: Base Part No. 13637

Order Sprinkler VK468 by first adding the appropriate suffix for the sprinkler finish and then the appropriate suffix for the temperature rating to the sprinkler base part number.

Finish Suffix: Brass = A, Chrome = F, White Polyester = M-/W, Black Polyester = M-/B, and ENT = JN

Temperature Suffix: 155 °F (68 °C) = B, 175 °F (79 °C) = D

For example, sprinkler VK468 with a Brass finish and a 155 °F (68 °C) temperature rating = Part No. 13637AB.

Available Finishes And Temperature Ratings:

Refer to Table 1.

Accessories: (Also refer to the Viking website.)

Sprinkler Wrenches:

A. Standard Wrench: Part No. 21475M/B (available since 2017)

B. Wrench for recessed sprinklers: Part No. 13577W/B* (available since 2006)

C. Optional Protective Sprinkler Cap Remover/Escutcheon Installer Tool** Part No. 15915 (available since 2010.)

*A 1/2" ratchet is required (not available from Viking).

**Allows use from the floor by attaching a length of 1" diameter CPVC tubing to the tool. Ideal for sprinkler cabinets. Refer to Bulletin F_051808.

	TECHNICAL DATA	FREEDOM® RESIDENTIAL PENDENT SPRINKLER VK468 (K4.9)
---	-----------------------	--

The Viking Corporation, 210 N Industrial Park Drive, Hastings MI 49058
Telephone: 269-945-9501 Technical Services: 877-384-5464 Fax: 269-818-1680 Email: techsvcs@vikingcorp.com
Visit the Viking website for the latest edition of this technical data page www.vikinggroupinc.com

Sprinkler Cabinets:

- A. Six-head capacity: Part No. 01724A (available since 1971)
- B. Twelve-head capacity: Part No. 01725A (available since 1971)

4. INSTALLATION

Refer to appropriate NFPA Installation Standards.

5. OPERATION

During fire conditions, the heat-sensitive liquid in the glass bulb expands, causing the glass to shatter, releasing the pip cap and sealing spring assembly. Water flowing through the sprinkler orifice strikes the sprinkler deflector, forming a uniform spray pattern to extinguish or control the fire.

6. INSPECTIONS, TESTS AND MAINTENANCE

Refer to NFPA 25 for Inspection, Testing and Maintenance requirements.

7. AVAILABILITY

The Viking Model VK468 Sprinkler is available through a network of domestic and international distributors. See The Viking Corporation web site for the closest distributor or contact The Viking Corporation.

8. GUARANTEE

For details of warranty, refer to Viking's current list price schedule or contact Viking directly.

TABLE 1: AVAILABLE SPRINKLER TEMPERATURE RATINGS AND FINISHES

Sprinkler Temperature Classification	Sprinkler Nominal Temperature Rating ¹	Maximum Ambient Ceiling Temperature ²	Bulb Color
Ordinary	155 °F (68 °C)	100 °F (38 °C)	Red
Intermediate	175 °F (79 °C)	150 °F (65 °C)	Yellow

Sprinkler Finishes: Brass, Chrome, White Polyester ³, Black Polyester ³, and ENT ^{3,4}

Footnotes

- ¹ The sprinkler temperature rating is stamped on the deflector.
- ² Based on NFPA-13. Other limits may apply, depending on fire loading, sprinkler location, and other requirements of the Authority Having Jurisdiction. Refer to specific installation standards.
- ³ Sprinklers with ENT, White Polyester, and Black Polyester finishes are C-UL-US-EU Listed as corrosion resistant.
- ⁴ The ENT coating has passed the standard corrosion test required by the approving agencies indicated in the Approval Chart. These tests cannot and do not represent all possible corrosive environments. Prior to installation, verify through the end-user that the coatings are compatible with or suitable for the proposed environment. For ENT coated sprinklers, the waterway is coated. Note that the spring is exposed on sprinklers with ENT coating.

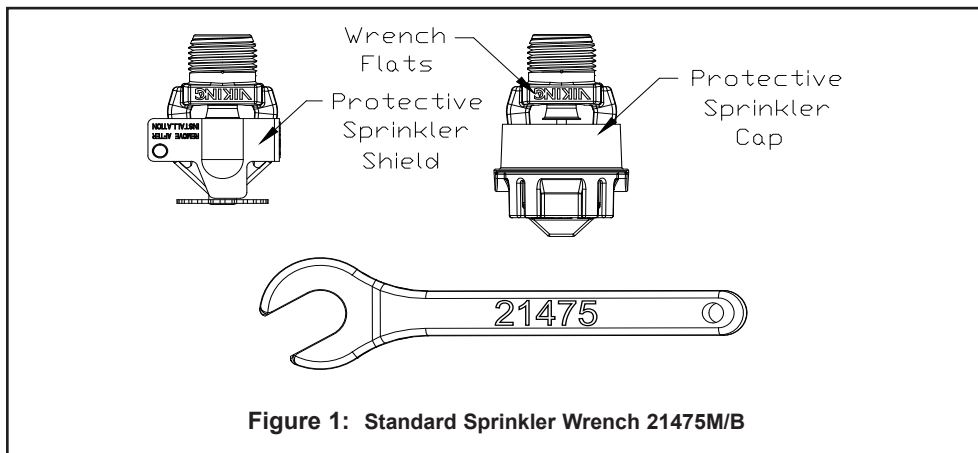


Figure 1: Standard Sprinkler Wrench 21475M/B



TECHNICAL DATA

FREEDOM® RESIDENTIAL PENDENT SPRINKLER VK468 (K4.9)

The Viking Corporation, 210 N Industrial Park Drive, Hastings MI 49058
 Telephone: 269-945-9501 Technical Services: 877-384-5464 Fax: 269-818-1680 Email: techsvcs@vikingcorp.com
 Visit the Viking website for the latest edition of this technical data page www.vikinggroupinc.com

Approval Chart Viking VK468, 4.9 K-Factor Residential Pendent Sprinkler

For systems designed to NFPA 13D or NFPA 13R. For systems designed to NFPA 13, refer to the design criteria. For Ceiling types refer to current editions of NFPA 13, 13R or 13D

Sprinkler Base Part Number ¹	SIN	NPT Thread Size		Nominal K-Factor		Maximum Water Working Pressure	Overall Length				
		Inches	mm	U.S.	metric ²		Inches	mm			
13637	VK468	1/2	15	4.9	70.6	175 psi (12 bar)	2-1/4	58			
Max. Coverage Area ⁴ Ft.X Ft. (m X m)	Ordinary Temp Rating (155 °F/68 °C)		Intermediate Temp Rating (175 °F/79 °C)		Deflector to Ceiling	Installation Type	Listings and Approvals ³				Minimum Spacing Ft. (m)
	Flow ⁴ GPM (L/min)	Pressure ⁴ PSI (bar)	Flow ⁴ GPM (L/min)	Pressure ⁴ PSI (bar)			C-UL-US-EU ⁵	VdS	NYC ⁶	NSF ⁸	
12 X 12 (3.7 X 3.7)	13 (49.2)	7.0 (0.48)	13 (49.2)	7.0 (0.48)	1-1/8 to 2 inch	Standard surface-mounted escutcheons, or recessed with the Micromatic® Model E-1, E-2, or E-3 Recessed Escutcheon	See Foot-notes 7 and 10.	See Foot-notes 7 and 10.	See Foot-note 7.	See Foot-note 7.	8 (2.4)
14 X 14 (4.3 X 4.3)	13 (49.2)	7.0 (0.48)	13 (49.2)	7.0 (0.48)							
16 X 16 (4.9 X 4.9)	13 (49.2)	7.0 (0.48)	13 (49.2)	7.0 (0.48)							
18 X 18 (5.5 X 5.5)	17 (64.4)	12.0 (0.83)	17 (64.4)	12.0 (0.83)							
20 X 20 (6.1 X 6.1)	20 (75.7)	16.7 (1.15)	20 (75.7)	16.7 (1.15)							

Footnotes

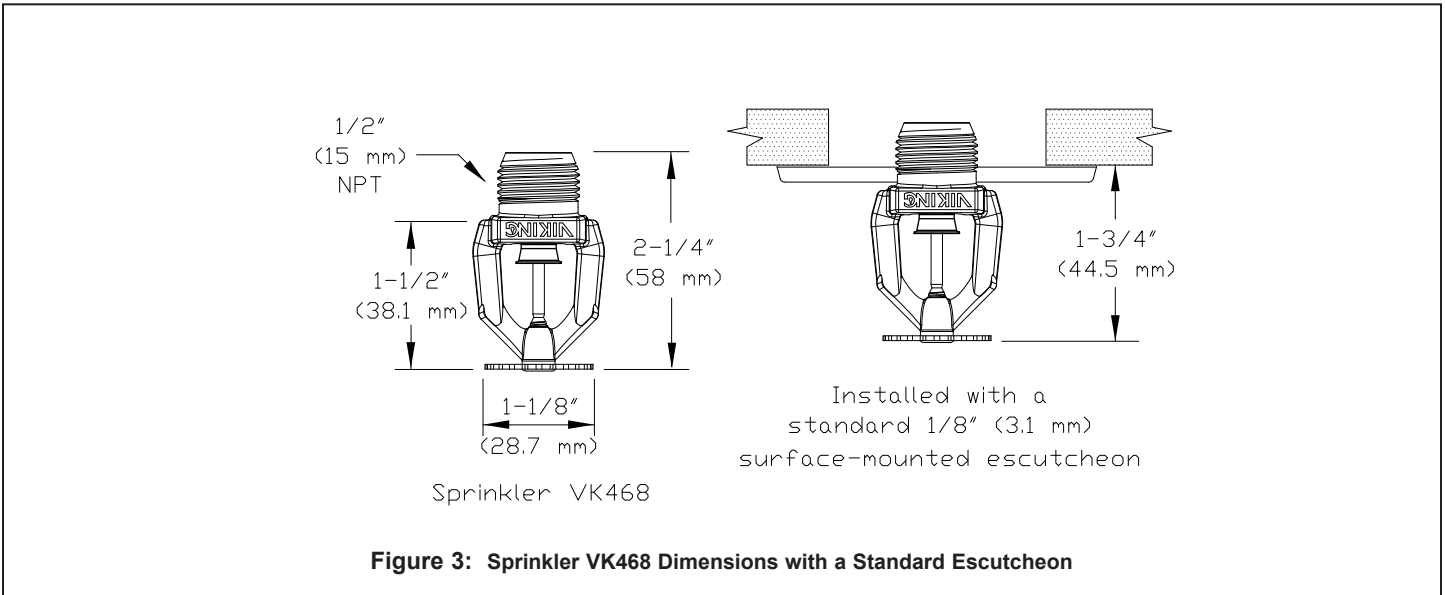
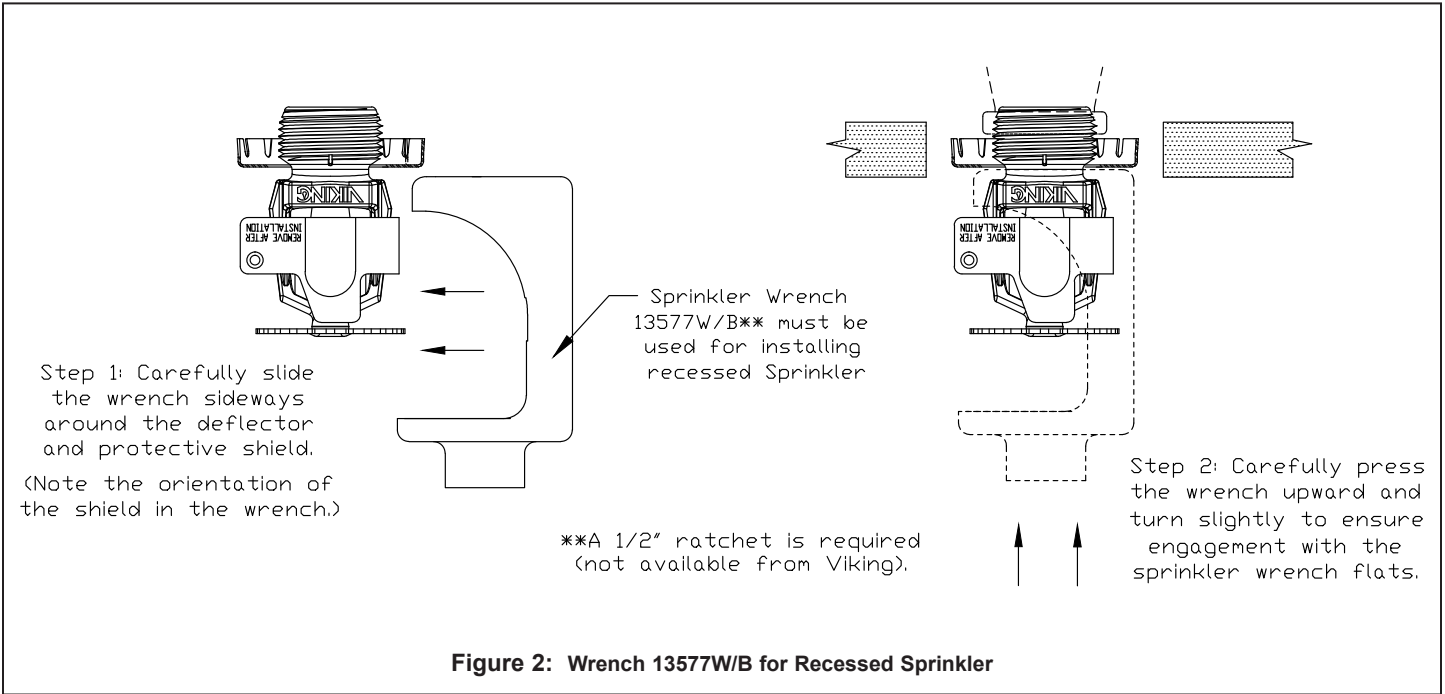
- ¹ Part number shown is the base part number. For complete part number, refer to Viking's current price schedule.
- ² Metric K-factor measurement shown is when pressure is measured in Bar. When pressure is measured in kPa, divide the metric K-factor shown by 10.0.
- ³ This chart shows the listings and approvals available at the time of printing. Other approvals may be in process. Check with the manufacturer for any additional approvals. Refer also to Design Criteria.
- ⁴ For areas of coverage smaller than shown, use the "Flow" and "Pressure" for the next larger area listed. Flows and pressures listed are per sprinkler. The distance from sprinklers to walls shall not exceed one-half the sprinkler spacing indicated for the minimum "Flow" and "Pressure" used.
- ⁵ Listed by Underwriter's Laboratories, Inc. for use in the U.S., Canada, and European Union.
- ⁶ Accepted for use, City of New York Department of Buildings, MEA Number 89-92-E, Vol. 35.
- ⁷ Approved Finishes are: Brass, Chrome, White Polyester, and Black Polyester⁹
- ⁸ UL Classified to: NSF/ANSI Standard 61, Drinking Water System Components (MH48034).
- ⁹ Other paint colors are available on request with the same C-UL-US-EU listings as the standard finish colors.
- ¹⁰ Approved finish is Electroless Nickel PTFE (ENT). Sprinklers with ENT, White Polyester, and Black Polyester finishes are C-UL-US-EU Listed as corrosion resistant. ENT is available with standard surface-mounted escutcheons or the Micromatic Model E-1 Recessed Escutcheon.



TECHNICAL DATA

FREEDOM® RESIDENTIAL
PENDENT SPRINKLER
VK468 (K4.9)

The Viking Corporation, 210 N Industrial Park Drive, Hastings MI 49058
 Telephone: 269-945-9501 Technical Services: 877-384-5464 Fax: 269-818-1680 Email: techsvcs@vikingcorp.com
 Visit the Viking website for the latest edition of this technical data page www.vikinggroupinc.com





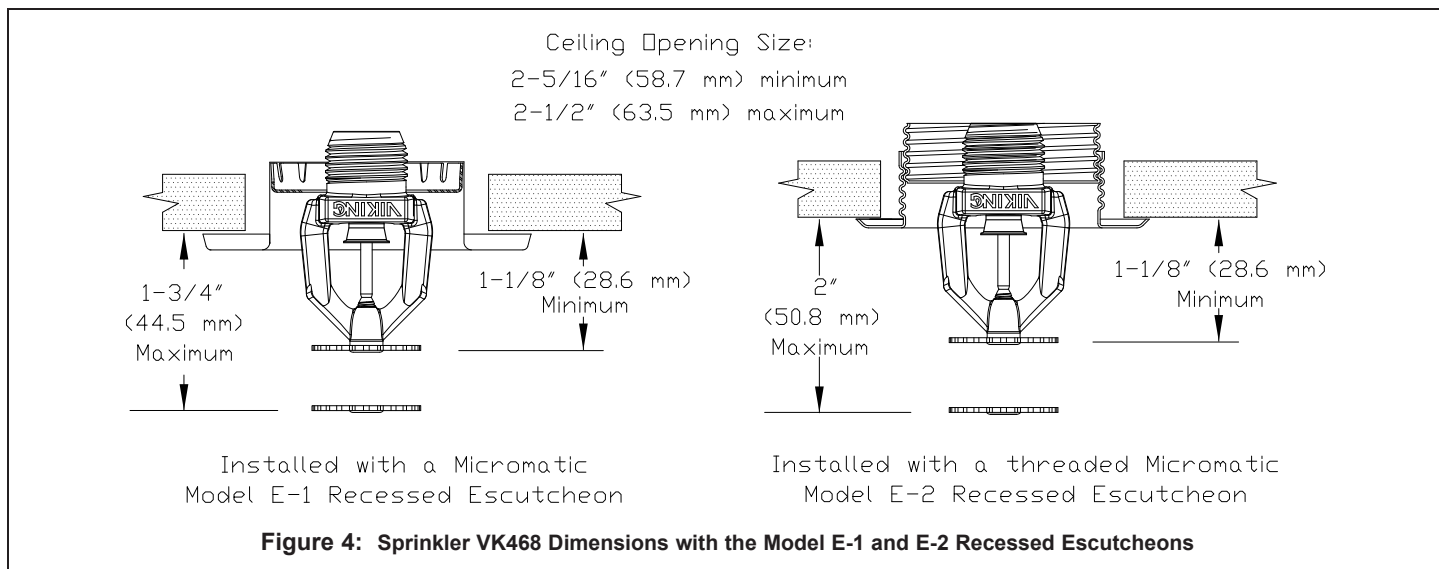
TECHNICAL DATA

FREEDOM® RESIDENTIAL PENDENT SPRINKLER VK468 (K4.9)

The Viking Corporation, 210 N Industrial Park Drive, Hastings MI 49058

Telephone: 269-945-9501 Technical Services: 877-384-5464 Fax: 269-818-1680 Email: techsvcs@vikingcorp.com

Visit the Viking website for the latest edition of this technical data page www.vikinggroupinc.com



DESIGN CRITERIA

(Also refer to the Approval Chart.)

UL Listing Requirements (C-UL-US-EU):

When using Viking Residential Pendent Sprinkler VK468 for systems designed to NFPA 13D or NFPA 13R, apply the listed areas of coverage and minimum water supply requirements shown in the Approval Chart.

For systems designed to NFPA 13: The number of design sprinklers is to be the four contiguous most hydraulically demanding sprinklers. The minimum required discharge from each of the four sprinklers is to be the greater of the following:

- The flow rates given in the Approval Chart for NFPA 13D and NFPA13R applications for each listed area of coverage, **or**
- Calculated based on a minimum discharge of 0.1 gpm/sq. ft. over the "design area" in accordance with sections 8.5.2.1 or 8.6.2.1.2 of NFPA 13.
- Minimum distance between residential sprinklers: 8 ft. (2.4 m).

IMPORTANT: Always refer to Bulletin Form No. F_091699 - Care and Handling of Sprinklers. Also refer to Form No. F_080614, F_080415 and F_080190 for general care, installation, and maintenance information. Viking sprinklers are to be installed in accordance with the latest edition of Viking technical data, the appropriate standards of NFPA, VdS, and any other similar Authorities Having Jurisdiction, and also with the provisions of governmental codes, ordinances, and standards, whenever applicable. Final approval and acceptance of all residential sprinkler installations must be obtained from the Authorities Having Jurisdiction.



Viking Residential Sprinkler Installation Guide

October 25, 2018



WARNING: Cancer and Reproductive Harm-
www.P65Warnings.ca.gov

Trusted Above All™

www.vikinggroupinc.com



TECHNICAL DATA

FREEDOM® RESIDENTIAL SPRINKLER INSTALLATION GUIDE

The Viking Corporation, 210 N Industrial Park Drive, Hastings MI 49058

Telephone: 269-945-9501 Technical Services: 877-384-5464 Fax: 269-818-1680 Email: techsvcs@vikingcorp.com

1. DESCRIPTION

Viking residential automatic sprinklers are equipped with a “fast response” heat-sensitive operating element designed to respond individually and quickly to a specific high temperature. Viking residential sprinklers are designed to combine speed of operation with water distribution characteristics to help in the control of residential fires and to improve life safety by prolonging the time available for occupants to escape or be evacuated.

2. LISTINGS AND APPROVALS

Refer to the Approval Charts on the appropriate sprinkler technical data page(s) and/or approval agency listings.

- A. Viking residential sprinklers are intended for use in the following occupancies: one- and two-family dwellings and mobile homes with the fire protection sprinkler system installed in accordance with NFPA 13D; residential occupancies up to four stories in height with the fire protection system installed in accordance with NFPA 13R; or residential portions of any occupancy with the fire protection system installed in accordance with NFPA 13. Information contained in this guide is based on NFPA 13, “Standard for the Installation of Sprinkler Systems”.
- B. The design criteria for residential sprinklers contained in the NFPA installation standards must be followed except as modified by the individual UL 1626 listing information provided in the technical data pages and this Residential Sprinkler Installation Guide. For listed areas of coverage, technical data, and specific design and installation instructions, refer to the appropriate Viking technical data page for the sprinkler model used.
- C. Viking residential sprinklers listed by Underwriters Laboratories, Inc. (UL) have passed fire tests designed to represent fire conditions for the sprinkler’s listed area of coverage. The standards for residential sprinkler performance and spray patterns are printed in Underwriters Laboratories Publication UL 1626, “Standard for Residential Sprinklers for Fire Protection Service”. All listed Viking residential sprinklers meet or exceed UL 1626 performance requirements and spray pattern criteria for their listed areas of coverage.
- D. NFPA standards allow use of residential sprinklers with rates, design areas, areas of coverage, and minimum design pressures other than those specified in the standards when they have been listed for such specific residential installation conditions.

3. TECHNICAL DATA

Specifications:

Refer to the appropriate sprinkler technical data sheet.

Material Standards:

Refer to the appropriate sprinkler technical data sheet.

Viking Technical Data may be found on
The Viking Corporation’s Web site at
<http://www.vikinggroupinc.com>.
The Web site may include a more recent
edition of this Technical Data Page.

4. INSTALLATION

NOTE: Take care not to over-tighten the sprinkler and/or damage its operating parts!

Maximum Torque: 1/2” NPT: 14 ft-lbs. (19.0 N-m) 3/4” NPT: 20 ft-lbs. (27.1 N-m)

A. Care and Handling (also refer to Bulletin - Care and Handling of Sprinklers, Form No. F_091699.)

Sprinklers must be handled with care and protected from mechanical damage during storage, transport, handling, and after installation.

Store sprinklers in a cool, dry place in their original container.

Use care when locating sprinklers near fixtures that can generate heat.

Never install sprinklers that have been dropped, damaged in any way, or exposed to temperatures exceeding the maximum ambient temperature allowed (refer to Table 1.)

Never install any glass-bulb sprinkler if the bulb is cracked or if there is a loss of liquid from the bulb. A small air bubble should be present in the glass bulb. Any sprinkler with a loss of liquid from the glass bulb or damage to the fusible element should be destroyed immediately. (Note: Installing glass bulb sprinklers in direct sunlight (ultraviolet light) may affect the color of the dye used to color code the bulb. This color change does not affect the integrity of the bulb.)

Viking residential sprinklers are intended for use on wet pipe residential systems only. Adequate heat must be provided for wet-pipe systems. DO NOT use Viking residential sprinklers on dry systems unless specifically allowed by recognized installation standards or the Authority Having Jurisdiction.

Residential concealed sprinklers must be installed in neutral or negative pressure plenums only!

Corrosion-resistant sprinklers must be installed when subject to corrosive atmospheres. **NOTE:** Viking residential sprinklers are not intended for use in corrosive environments.

Replaces pages 1-17, dated December 1, 2016.

(Added P65 Warning.)



TECHNICAL DATA

FREEDOM® RESIDENTIAL SPRINKLER INSTALLATION GUIDE

The Viking Corporation, 210 N Industrial Park Drive, Hastings MI 49058

Telephone: 269-945-9501 Technical Services: 877-384-5464 Fax: 269-818-1680 Email: techsvcs@vikingcorp.com

TABLE 1: RESIDENTIAL SPRINKLER TEMPERATURE RATINGS

Sprinkler Temperature Classification	Sprinkler Nominal Temperature Rating ¹	Maximum Ambient Ceiling Temperature ³	Bulb Color
Residential Glass Bulb Style Sprinklers			
Ordinary	155 °F (68 °C)	100 °F (38 °C)	Red
Intermediate	175 °F (79 °C)	150 °F (65 °C)	Yellow
Sprinkler Temperature Classification	Sprinkler Nominal Temperature Rating (Fusing Point) ¹	Maximum Ambient Ceiling Temperature ³	
Residential Fusible Element Style Sprinklers			
Ordinary	165 °F (74 °C)	100 °F (38 °C)	
Sprinkler Temperature Classification	Sprinkler Nominal Temperature Rating (Fusing Point)	Maximum Ambient Ceiling Temperature ³	Temperature Identification Stamp
Residential Flush Style Sprinklers			
Ordinary	165 °F (74 °C)	100 °F (38 °C)	On Cover or Sprinkler Inlet (VK476)
Intermediate	220 °F (104 °C)	150 °F (65 °C)	On Cover
Sprinkler Temperature Classification	Sprinkler Nominal Temperature Rating (Fusing Point)	Maximum Ambient Ceiling Temperature ³	Cover Plate Temperature Rating
Residential Concealed Style Sprinklers			
Ordinary	135 °F (57 °C) ¹ , 140 °F (60 °C) ² , 155 °F (68 °C) ¹ , or 165 °F (74 °C) ¹	100 °F (38 °C)	135 °F (57 °C)

Footnotes

¹ The sprinkler temperature rating is stamped on the deflector or flow shaper.

² The temperature rating is stamped on the sprinkler.

³ Based on NFPA-13. Other limits may apply, depending on fire loading, sprinkler location, and other requirements of the Authority Having Jurisdiction. Refer to specific installation standards.

B. Installation Instructions

Viking sprinklers are manufactured and tested to meet the rigid requirements of approving agencies. They are designed to be installed in accordance with recognized installation standards NFPA 13, NFPA 13R, and NFPA 13D, and any associated TIAs.

Deviation from the standards or any alteration to the sprinklers or cover plate assemblies after they leave the factory including, but not limited to: painting, plating, coating, or modification, may render the sprinklers inoperative and will automatically nullify the approval and any guarantee made by Viking.

The use of residential sprinklers may be limited due to occupancy and hazard. Residential fire protection systems must be designed and installed only by those who are completely familiar with the appropriate standards and codes, and thoroughly experienced in fire protection design, hydraulic calculations, and sprinkler system installation.

Before installation, be sure to have the appropriate sprinkler model and style, with the correct K-Factor, temperature rating, and response characteristics. Viking residential sprinklers must be installed after the piping is in place to prevent mechanical damage. Keep sprinklers with protective caps or bulb shields contained within the caps or shields during installation and testing, and any time the sprinkler is shipped or handled.

1a. For frame-style sprinklers, install escutcheon (if used), which is designed to thread onto the external threads of the sprinkler*.

*Refer to the appropriate sprinkler technical data page to determine approved escutcheons for use with specific sprinkler models.

1b. For flush and concealed style sprinklers: Cut the sprinkler nipple so that the ½" or ¾" (15 mm or 20 mm) NPT** outlet of the reducing coupling is at the desired location and centered in the opening** in the ceiling or wall.

**Size depends on the sprinkler model used. Refer to appropriate sprinkler data page.



TECHNICAL DATA

FREEDOM® RESIDENTIAL SPRINKLER INSTALLATION GUIDE

The Viking Corporation, 210 N Industrial Park Drive, Hastings MI 49058

Telephone: 269-945-9501 Technical Services: 877-384-5464 Fax: 269-818-1680 Email: techsvcs@vikingcorp.com

DESIGN CRITERIA

For Systems Designed to NFPA 13D or NFPA 13R: Apply the listed areas of coverage and minimum water supply requirements shown in the approval charts on the residential sprinkler data pages. The sprinkler flow rate is the minimum required discharge from each of the total number of design sprinklers as specified in NFPA 13D or NFPA 13R.

For Systems Designed to the latest edition of NFPA 13: The number of design sprinklers is to be the four most hydraulically demanding sprinklers. The minimum required discharge from each of the four sprinklers is to be the greater of the following:

- The flow rates given in the approval charts on the data pages for NFPA 13D and NFPA13R for each area of coverage listed, or
- Calculated based on a minimum discharge of 0.1 gpm/sq. ft. over the “design area” in accordance with sections 8.5.2.1 or 8.6.2.1.2 of NFPA 13. The greatest dimension of the coverage area cannot be any greater than the maximum areas of coverage shown on the data pages.

Flow Rates

All residential sprinklers manufactured on or after July 12, 2002 are listed with a single minimum flow rate. Where rooms have more than one sprinkler, multiple-sprinkler calculations are still required, but the first sprinkler and any additional sprinkler or sprinklers must be calculated flowing at identical minimum flow rates, based on the area of sprinkler coverage, using the minimum flow and pressure listed for the sprinkler model used.

Consult the appropriate standards and the Authorities Having Jurisdiction to determine the number of sprinklers to hydraulically calculate to verify adequate water supply for multiple-sprinkler operation.

Operating Pressure: The minimum operating pressure of any sprinkler shall be the minimum operating pressure specified by the listing, or 7 psi (0.5 bar), whichever is greater. The maximum allowable operating pressure is 175 psi (12 bar).

Areas of Coverage

If the actual area of coverage is less than the listed area of coverage, use the minimum water supply for the next larger area of coverage listed. DO NOT interpolate. Residential sprinkler systems must be hydraulically calculated according to NFPA standards to verify that the water supply is adequate for proper operation of the sprinklers. Hydraulic calculations are required to verify adequate water supply at the hydraulically most remote single sprinkler when it is operating at the minimum gpm and psi listed for single-sprinkler operation for the sprinkler model used.

Viking residential sprinklers may be listed for more than one area of coverage. Suggested practice in selecting area of coverage is to select the one that can be adequately supplied by the available water supply and still allow for the installation of as few sprinklers in a compartment as possible while observing all guidelines pertaining to obstructions and spacing. This maximizes the use of the available water supply, which is often limited on residential fire protection systems. After selecting an appropriate area of coverage, sprinklers must be spaced according to guidelines set forth in the installation standards.

Definition of “COMPARTMENT”: A space completely enclosed by walls and a ceiling. Openings to an adjoining space are allowed, provided the openings have a minimum lintel depth of 8 in. (203.2 mm) from the ceiling.

Spacing Guidelines

For guidelines concerning spacing of Viking residential sprinklers near beams, obstructions, heat sources, and sloped ceilings [slopes more than a 2/12 (9.5°) pitch], refer to the Viking residential sprinkler data pages and installation guide, the appropriate NFPA standard, and the Authority Having Jurisdiction. NOTE: Sloped, beamed, and pitched ceilings could require special design features such as larger flow, or a design for more sprinklers to operate in the compartment, or both.

Distance from Walls: Install not more than one-half the listed sprinkler spacing nor less than 4” (102 mm) from walls, partitions, or obstructions as defined in the standards.

Minimum Sprinkler Spacing: The minimum distance between residential sprinklers to prevent cold soldering (i.e., the spray from one operating sprinkler onto an adjacent sprinkler that could prevent its proper activation) is 8 ft. (2.4 m).

Maximum Sprinkler Spacing: Locate adjacent sprinklers no farther apart than the listed spacing.

Deflector Position: Install frame style residential *pendent* sprinklers with the deflector between 1” and 4” (25.4 mm to 102 mm) below smooth ceilings, unless the sprinkler data page indicates otherwise. Install pendent sprinklers in the pendent position only, with the deflector oriented parallel with the ceiling or roof.

Refer to the individual listings in the residential sprinkler data pages for horizontal sidewall sprinkler deflector or sprinkler centerline distance below the ceiling. Install horizontal sidewall sprinklers in the horizontal position only below smooth ceilings, with the leading edge of the deflector or element assembly oriented parallel with the ceiling.

IMPORTANT: Always refer to Bulletin Form No. F_091699 - Care and Handling of Sprinklers. Also refer to the appropriate sprinkler data page. Viking sprinklers are to be installed in accordance with the latest edition of Viking technical data, the appropriate standards of NFPA and any other similar Authorities Having Jurisdiction, and also with the provisions of governmental codes, ordinances, and standards, whenever applicable. Final approval and acceptance of all residential sprinkler installations must be obtained from the Authorities Having Jurisdiction.



TECHNICAL DATA

FREEDOM® RESIDENTIAL SPRINKLER INSTALLATION GUIDE

The Viking Corporation, 210 N Industrial Park Drive, Hastings MI 49058

Telephone: 269-945-9501 Technical Services: 877-384-5464 Fax: 269-818-1680 Email: techsvcs@vikingcorp.com

2. Apply a small amount of pipe-joint compound or tape to the external threads of the sprinkler only, taking care not to allow a build-up of compound in the sprinkler inlet. **NOTE:** Sprinklers with protective caps or bulb shields must be contained within the caps or shields before applying pipe-joint compound or tape. *Exception: For concealed sprinklers (i.e., VK457, VK458, VK468, VK474, and VK4570) the protective cap is removed for installation.*
3. Care must be taken when installing sprinklers on CPVC and copper piping systems. Never install the sprinkler into the reducing fitting before attaching the reducing fitting to the piping. Sprinklers must be installed on CPVC systems after the reducing fitting has been installed and the primer and/or cement manufacturer's recommended curing time has elapsed. When installing sprinklers on copper piping systems, take care to brush the inside of the sprinkler supply piping and reducing fitting to ensure that no flux accumulates in the sprinkler orifice. Excess flux can cause corrosion and may impair the ability of the sprinkler to operate properly.
4. Refer to the appropriate sprinkler technical data page to determine the correct sprinkler wrench for the model of sprinkler used. DO NOT use the sprinkler deflector or fusible element to start or thread the sprinkler into a fitting.
 - a. Install the sprinkler onto the piping using the special sprinkler wrench only, while taking care not to over-tighten or damage the sprinkler operating parts.
 - b. Thread the flush or concealed sprinkler into the 1/2" or 3/4" (15 mm or 20 mm) NPT** outlet of the coupling by turning it clockwise with the special sprinkler wrench. *NOTE: For flush and concealed sprinklers with protective shells, the internal diameter of the special flush and concealed sprinkler installation wrench is designed for use with the sprinkler contained within the shell. Exception: For concealed sprinklers VK457, VK458, VK468, VK474, and VK4570 the protective cap is removed for installation, and then placed back on the sprinkler temporarily.*
5. After installation, the entire sprinkler system must be tested. The test must be conducted to comply with the installation standards.
 - a. Make sure the sprinkler has been properly tightened. If a thread leak occurs, normally the unit must be removed, new pipe-joint compound or tape applied, and then reinstalled. This is due to the fact that when the joint seal leaks, the sealing compound is washed out of the joint.
 - b. **Remove plastic protective sprinkler caps or bulb shields AFTER the wall or ceiling finish work is completed where the sprinkler is installed and there no longer is a potential for mechanical damage to the sprinkler operating elements.** To remove the bulb shields, simply pull the ends of the shields apart where they are snapped together. To remove caps from frame style sprinklers, turn the caps slightly and pull them off the sprinklers. **SPRINKLER CAPS OR BULB SHIELDS MUST BE REMOVED FROM SPRINKLERS BEFORE PLACING THE SYSTEM IN SERVICE!** Retain a protective cap or shield in the spare sprinkler cabinet.
6. For residential flush sprinklers, the ceiling ring can now be installed onto the sprinkler body. Align the ceiling ring with the sprinkler body and thread on or push it on until the flange touches the ceiling. Note the maximum vertical adjustment is 1/2" (12,7 mm) for sprinkler VK420 and 5/8" for VK476. DO NOT MODIFY THE UNIT. If necessary, re-cut the sprinkler drop nipples as required.
7. For residential concealed sprinklers, the cover plate assembly can now be attached.
 - a. Remove the cover plate assembly from the protective box, taking care not to damage the assembly.
 - b. From below the ceiling, gently place the base of the cover plate assembly over the sprinkler protruding through the opening in the ceiling or wall.
 - c. Carefully push the cover plate assembly onto the sprinkler, using even pressure with the palm of the hand, until the unfinished brass flange of the cover plate base touches the ceiling or wall.
 - d. The maximum adjustment available for residential concealed sprinklers is 1/2" (12.7 mm) [1/4" (6.4 mm) for sprinkler VK480]. DO NOT MODIFY THE UNIT. If necessary, re-cut the sprinkler nipples.

NOTE: If it is necessary to remove the entire sprinkler unit, the system must be taken out of service. See Maintenance instructions below and follow all warnings and instructions.

5. OPERATION

During fire conditions, the operating element fuses or shatters (depending on the type of sprinkler), releasing the pip cap and sealing assembly. Water flowing through the sprinkler orifice strikes the sprinkler deflector or flow shaper, forming a uniform, high-wall wetting spray pattern to extinguish or control the fire.



TECHNICAL DATA

FREEDOM® RESIDENTIAL SPRINKLER INSTALLATION GUIDE

The Viking Corporation, 210 N Industrial Park Drive, Hastings MI 49058

Telephone: 269-945-9501 Technical Services: 877-384-5464 Fax: 269-818-1680 Email: techsvcs@vikingcorp.com

6. INSPECTIONS, TESTS AND MAINTENANCE

Refer to NFPA 25 for Inspection, Testing and Maintenance requirements. **NOTICE:** The owner is responsible for having the fire-protection system and devices inspected, tested, and maintained in proper operating condition in accordance with this guide, and applicable NFPA standards. In addition, the Authority Having Jurisdiction may have additional maintenance, testing, and inspection requirements that must be followed.

- A. Sprinklers must be inspected on a regular basis for signs of corrosion, mechanical damage, obstructions, paint, etc. Frequency of the inspections may vary due to corrosive atmospheres, water supplies, and activity around the device.
- B. Sprinklers or cover plate assemblies that have been field painted, caulked, or mechanically damaged must be replaced immediately. Sprinklers showing signs of corrosion shall be tested and/or replaced immediately as required. Installation standards require sprinklers to be tested and, if necessary, replaced immediately after a specified term of service. Refer to NFPA 25 and the Authorities Having Jurisdiction for the specified period of time after which testing and/or replacement of residential sprinklers is required. Never attempt to repair or reassemble a sprinkler. Sprinklers and cover assemblies that have operated cannot be reassembled or re-used, but must be replaced. When replacement is necessary, use only new sprinklers and cover assemblies with identical performance characteristics.
- C. The sprinkler discharge pattern is critical for proper fire protection. Nothing should be hung from, attached to, or otherwise obstruct the discharge pattern of the sprinkler. All obstructions must be immediately removed or, if necessary, additional sprinklers installed.
- D. When replacing existing sprinklers, the system must be removed from service. Refer to the appropriate system description and/or valve instructions. Prior to removing the system from service, notify all Authorities Having Jurisdiction. Consideration should be given to employment of a fire patrol in the effected area.
 1. Remove the system from service, drain all water, and relieve all pressure on the piping.
 - 2a. For frame-style sprinklers, use the special sprinkler wrench and remove the old sprinkler by turning it counterclockwise to unthread it from the piping.
 - 2b. *For residential flush pendent and concealed style sprinklers: Remove the ceiling ring or cover plate assembly before unthreading the sprinkler body from the piping. To remove a ceiling ring, grasp it from below the ceiling and gently turn it counterclockwise. Cover plates can be removed either by gently unthreading them or pulling them off the sprinkler body (depends on the sprinkler model used). After the ceiling ring or cover plate assembly has been removed from the sprinkler, use the sprinkler wrench to unthread the sprinkler from the piping. NOTE: For flush and concealed sprinklers with protective shells, the internal diameter of the special flush and concealed sprinkler installation wrench is designed for use with the sprinkler contained within the shell. Place a plastic protective shell (from the spare sprinkler cabinet) over the sprinkler to be removed and then fit the sprinkler wrench over the shell. Exception: Concealed sprinklers VK457, VK458, VK468, VK474, and VK4570 are removed without the plastic cap.*
 3. Follow instructions in section 4B. Installation Instructions to install the new unit. Be sure the replacement sprinkler is the correct model and style, with the appropriate K-Factor, temperature rating, and response characteristics. A fully stocked sprinkler cabinet should be provided for this purpose. *(For flush or concealed style sprinklers, stock of spare ceiling rings or cover plates should also be available in the spare sprinkler cabinet.)*
 4. Place the system back in service and secure all valves. Check for and repair all leaks.
- E. Sprinkler systems that have been subjected to a fire must be returned to service as soon as possible. The entire system must be inspected for damage, and repaired or replaced as necessary. Sprinklers that have been exposed to corrosive products of combustion or high ambient temperatures, but have not operated, should be replaced. Refer to the Authority Having Jurisdiction for minimum replacement requirements.

7. AVAILABILITY

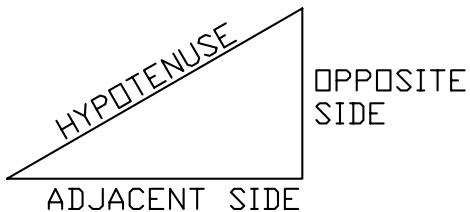
Viking Residential Sprinklers are available through a network of domestic and international distributors. See The Viking Corporation web site for the closest distributor or contact The Viking Corporation.

8. GUARANTEE

For details of warranty, refer to Viking's current list price schedule or contact Viking directly.

	TECHNICAL DATA	FREEDOM® RESIDENTIAL SPRINKLER INSTALLATION GUIDE
---	-----------------------	--

The Viking Corporation, 210 N Industrial Park Drive, Hastings MI 49058
 Telephone: 269-945-9501 Technical Services: 877-384-5464 Fax: 269-818-1680 Email: techsvcs@vikingcorp.com

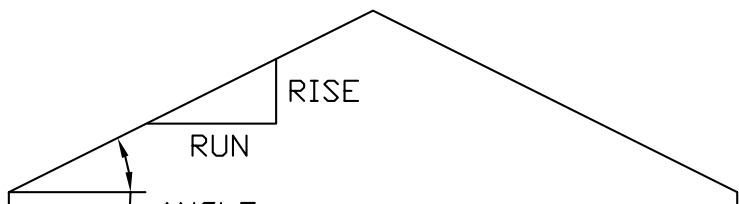


TANGENT =
 OPPOSITE SIDE (RISE)
 ADJACENT SIDE (RUN)

$$\frac{\text{RISE}}{\text{RUN}} = \text{TANGENT}$$

$$\text{ANGLE} = \text{TAN}^{-1} \left(\frac{\text{RISE}}{\text{RUN}} \right)$$

$$\text{SLOPE DISTANCE} = \sqrt{(\text{RISE})^2 + (\text{RUN})^2}$$



RISE	RUN	TANGENT	ANGLE	SLOPE DISTANCE
2	12	.1666	9.45°	12.1
3	12	.2500	14°	12.3
4	12	.3333	18.4°	12.6
5	12	.4166	22.6°	13
6	12	.5000	26.5°	13.4
7	12	.5833	30.2°	13.8
8	12	.6666	33.6°	14.4
9	12	.7500	36.8°	15
10	12	.8333	39.8°	15.6
11	12	.9166	42.5°	16.2
12	12	1	45°	16.97

Table 2
 Rise Over Run Conversion to Degrees of Slope

	TECHNICAL DATA	FREEDOM® RESIDENTIAL SPRINKLER INSTALLATION GUIDE
---	-----------------------	--

The Viking Corporation, 210 N Industrial Park Drive, Hastings MI 49058
 Telephone: 269-945-9501 Technical Services: 877-384-5464 Fax: 269-818-1680 Email: techsvcs@vikingcorp.com

**SPACING OF RESIDENTIAL SPRINKLERS LISTED FOR USE
BELOW SLOPED CEILINGS UP TO AN 8/12 (33.7°) PITCH**
 (Refer to the appropriate residential sprinkler technical data page for listings.)

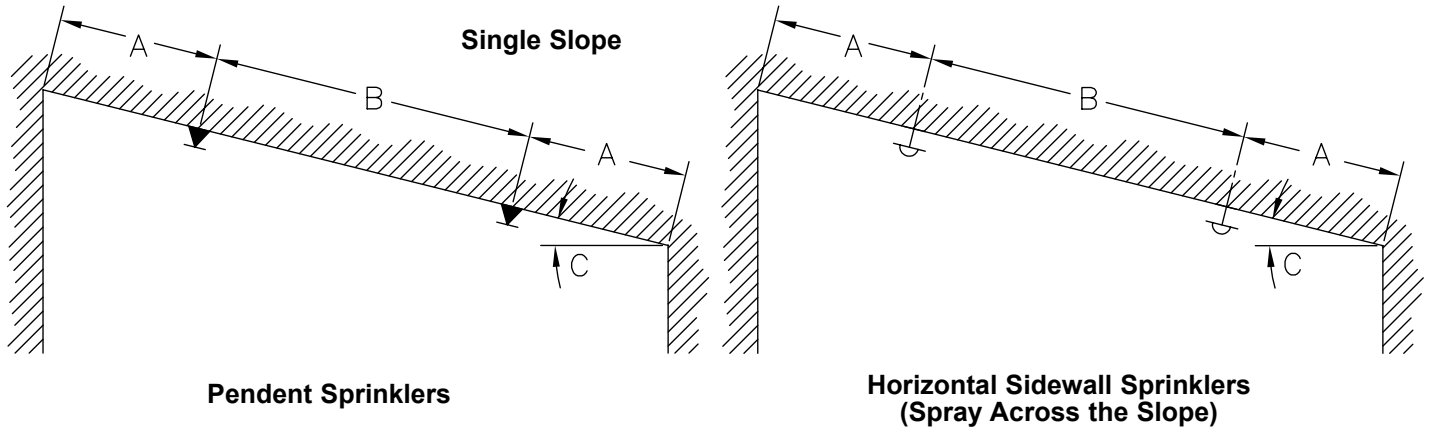


Figure 1

- (A) One-half listed spacing of sprinkler maximum, 0'-4" (0-102 mm) minimum.
- (B) Listed spacing of sprinkler, maximum, 8'-0" (2.4 m) minimum.
- (C) Where angle "C" is greater than an 8/12 (33.7°) pitch, see Figure 2 below.

**SPACING OF RESIDENTIAL SPRINKLERS BELOW SLOPED
CEILINGS WITH GREATER THAN 8/12 (33.7°) PITCH**
 (NOTE: Refer to NFPA 13D or NFPA 13R, and the Authority Having Jurisdiction.)

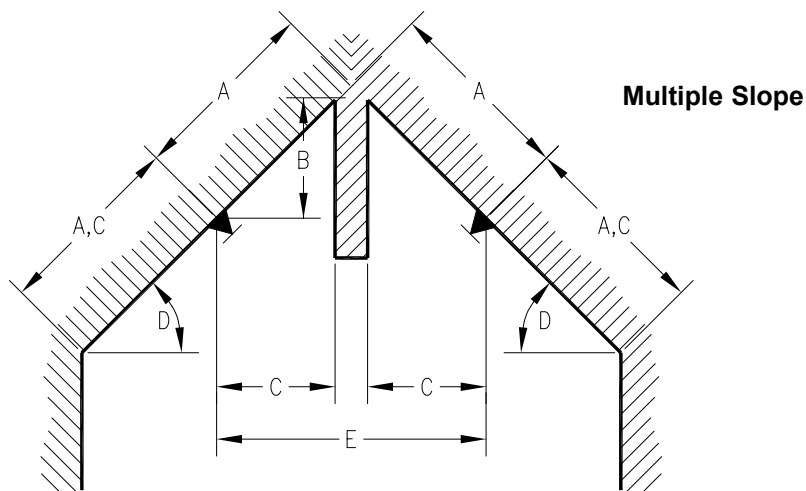


Figure 2

- (A) One-half listed spacing of sprinkler, maximum.
- (B) 3'-0" (.91 m) maximum.
- (C) 0'-4" (0-102 mm) minimum.
- (D) Slopes greater than an 8/12 (33.7°) pitch.
- (E) For distance less than 8'-0" (2.4 m), baffle required.



TECHNICAL DATA

FREEDOM® RESIDENTIAL SPRINKLER INSTALLATION GUIDE

The Viking Corporation, 210 N Industrial Park Drive, Hastings MI 49058
 Telephone: 269-945-9501 Technical Services: 877-384-5464 Fax: 269-818-1680 Email: techsvcs@vikingcorp.com

SPACING OF RESIDENTIAL SPRINKLERS LISTED FOR USE BELOW SLOPED CEILINGS UP TO AN 8/12 (33.7°) PITCH

(Refer to the appropriate residential sprinkler technical data page for listings.)

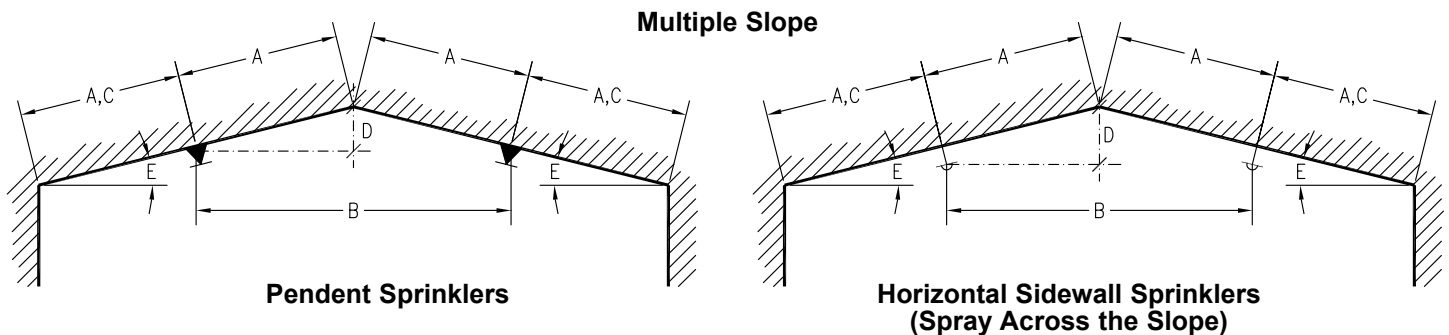


Figure 3

- (A) One-half listed spacing of sprinkler, maximum.
- (B) 8'-0" (2.4 m) minimum.
- (C) 0'-4" (0-102 mm) minimum.
- (D) 3'-0" (.91 m) maximum.
- (E) Acceptable for slopes of 0/12 to 8/12 (0° to 33.7°) pitch.

SPACING OF RESIDENTIAL PENDENT SPRINKLERS AT PEAK OF SLOPED CEILINGS WITH PITCH LESS THAN 8/12 (33.7°)

(Refer to the appropriate residential sprinkler technical data page for listings.)

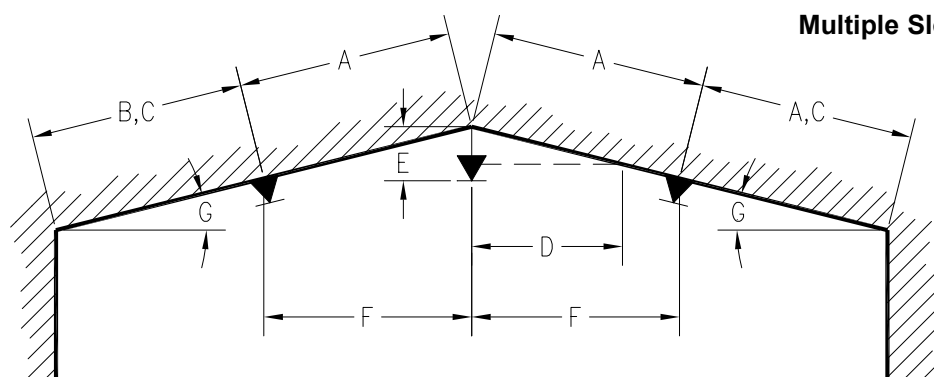


Figure 4

- (A) Listed spacing of sprinkler, maximum.
- (B) One-half listed spacing of sprinkler, maximum.
- (C) 0'-4" minimum.
- (D) Refer to page 10 for minimum distance between sprinkler and intersecting sloped ceiling.
- (E) Refer to the appropriate residential sprinkler technical data page for deflector distance below ceiling.
- (F) 8'-0" minimum.
- (G) Reference: 4/12 (18.0°) pitch maximum for 12' (3.7 m) spacing.
 2.5/12 (12.0°) pitch maximum for 14' (4.3 m) spacing.
 2/12 (10.0°) pitch maximum for 16' (4.9 m) spacing.
 2/12 (10.0°) pitch maximum for 18' (5.5 m) spacing.
 1.9/12 (9.0°) pitch maximum for 20' (6.1 m) spacing.
 Angles based on sprinklers installed 0'-4" (0-102 mm) from peak.

NOTE: Whenever possible, utilize design as shown in Figure 3 above.



TECHNICAL DATA

**FREEDOM® RESIDENTIAL
SPRINKLER
INSTALLATION GUIDE**

The Viking Corporation, 210 N Industrial Park Drive, Hastings MI 49058

Telephone: 269-945-9501 Technical Services: 877-384-5464 Fax: 269-818-1680 Email: techsvcs@vikingcorp.com

SPACING OF RESIDENTIAL SPRINKLERS BELOW SLOPED CEILINGS WITH GREATER THAN 8/12 (33.7°) PITCH WITH NO BAFFLE AND A MAXIMUM OF 2 SPRINKLERS IN THE ROOM
(NOTE: Refer to NFPA 13D or NFPA 13R, and the Authority Having Jurisdiction.)

Multiple Slope

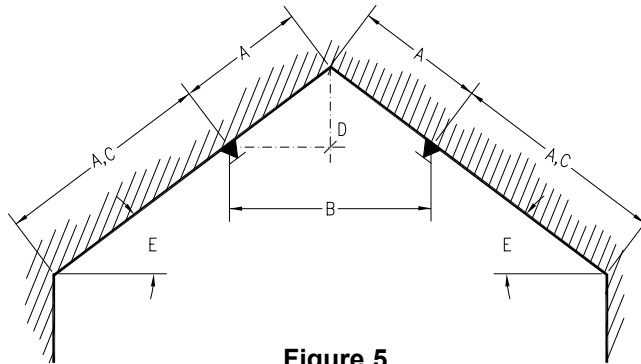


Figure 5

- (A) One-half listed spacing of sprinkler, maximum.
- (B) 8'-0" (2.4 m) minimum.
- (C) 0'-4" (0-102 mm) minimum.
- (D) 3'-0" (.91 m) maximum.
- (E) Acceptable for slopes greater than an 8/12 (33.7°) pitch.
- (F) When this design is used, refer to the appendices of NFPA 13D or NFPA 13R, and the Authority Having Jurisdiction regarding the number of design sprinklers to hydraulically calculate.

SPACING OF RESIDENTIAL SPRINKLERS BELOW CEILINGS WITH SLOPES EXCEEDING 8/12 (33.7°) PITCH WITH NO BAFFLE AND A MAXIMUM OF 3 SPRINKLERS IN THE ROOM
(NOTE: Refer to NFPA 13D or NFPA 13R, and the Authority Having Jurisdiction.)

Multiple Slope

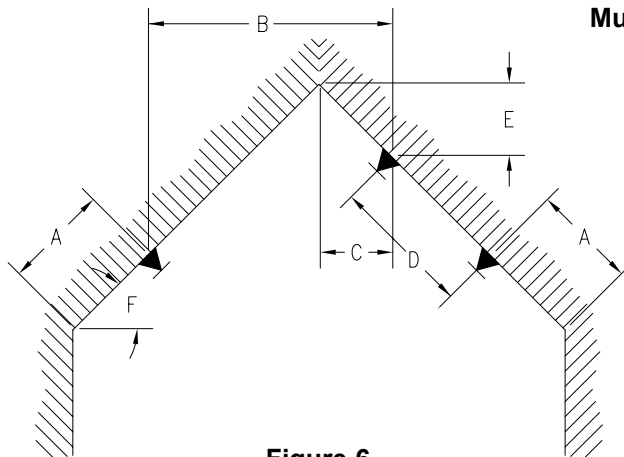


Figure 6

- (A) 0'-4" (0-102 mm) minimum, to one-half listed spacing, maximum.
- (B) One-half listed spacing, maximum, 8'-0" (2.4 m) minimum.
- (C) 0'-4" (0-102 mm) minimum.
- (D) Listed spacing maximum, 8'-0" (2.4 m) minimum.
- (E) 3'-0" (.91 m) maximum.
- (F) Slopes greater than 8/12 up to a 21/12 (33.7° up to 60°) pitch.

NOTES: In addition to the above limits, rooms requiring this type of installation must be hydraulically calculated to supply a minimum of three operating sprinklers. Layout similar for horizontal sidewall sprinklers with throw across slope. Refer to the appropriate residential sprinkler technical data sheets.



TECHNICAL DATA

FREEDOM® RESIDENTIAL
SPRINKLER
INSTALLATION GUIDE

The Viking Corporation, 210 N Industrial Park Drive, Hastings MI 49058

Telephone: 269-945-9501 Technical Services: 877-384-5464 Fax: 269-818-1680 Email: techsvcs@vikingcorp.com

SPACING OF RESIDENTIAL SPRINKLERS BELOW CEILINGS WITH SLOPES EXCEEDING 8/12 (33.7°) PITCH WITH NO BAFFLE AND A MAXIMUM OF 2 SPRINKLERS IN THE ROOM
(NOTE: Refer to NFPA 13D or NFPA 13R, and the Authority Having Jurisdiction.)

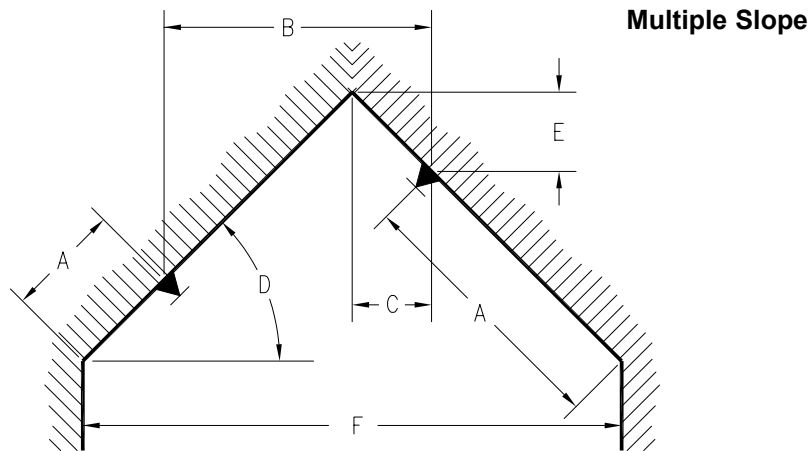


Figure 7

- (A) 0'-4" (0-102 mm) minimum, to one-half listed spacing, maximum.
- (B) One-half listed spacing, maximum, 8'-0" (2.4 m) minimum.
- (C) 0'-4" (0-102 mm) minimum.
- (D) Slopes greater than 8/12 pitch up to a 21/12 (33.7° up to a 60°) pitch.
- (E) 3'-0" (.91 m) maximum.
- (F) When dimension "F" exceeds 16' (4.9 m), utilize design configuration shown in Figure 6.

NOTES: Layout similar for horizontal sidewall sprinklers with throw across slope. Refer to the appropriate residential sprinkler technical data sheets.

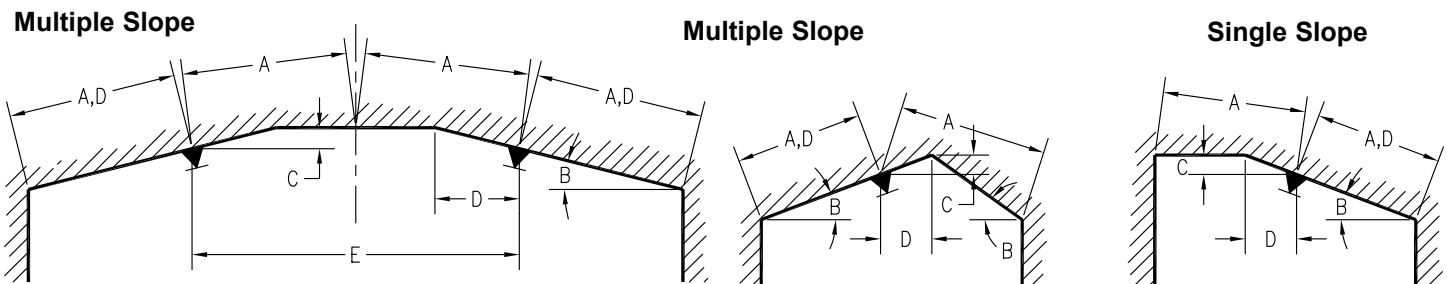


Figure 8

- (A) One-half listed spacing, maximum.
- (B) Refer to the appropriate residential sprinkler technical data pages for listings of sprinklers for use below slopes up to and including a 8/12 (33.7°) pitch.
- (C) 3'-0" (.91 m) maximum.
- (D) 0'-4" (0-102 mm) minimum.
- (E) 8'-0" (2.4 m) minimum without baffle.

NOTES: Layout similar for horizontal sidewall sprinklers with throw across slope. Refer to the appropriate residential sprinkler technical data sheets.

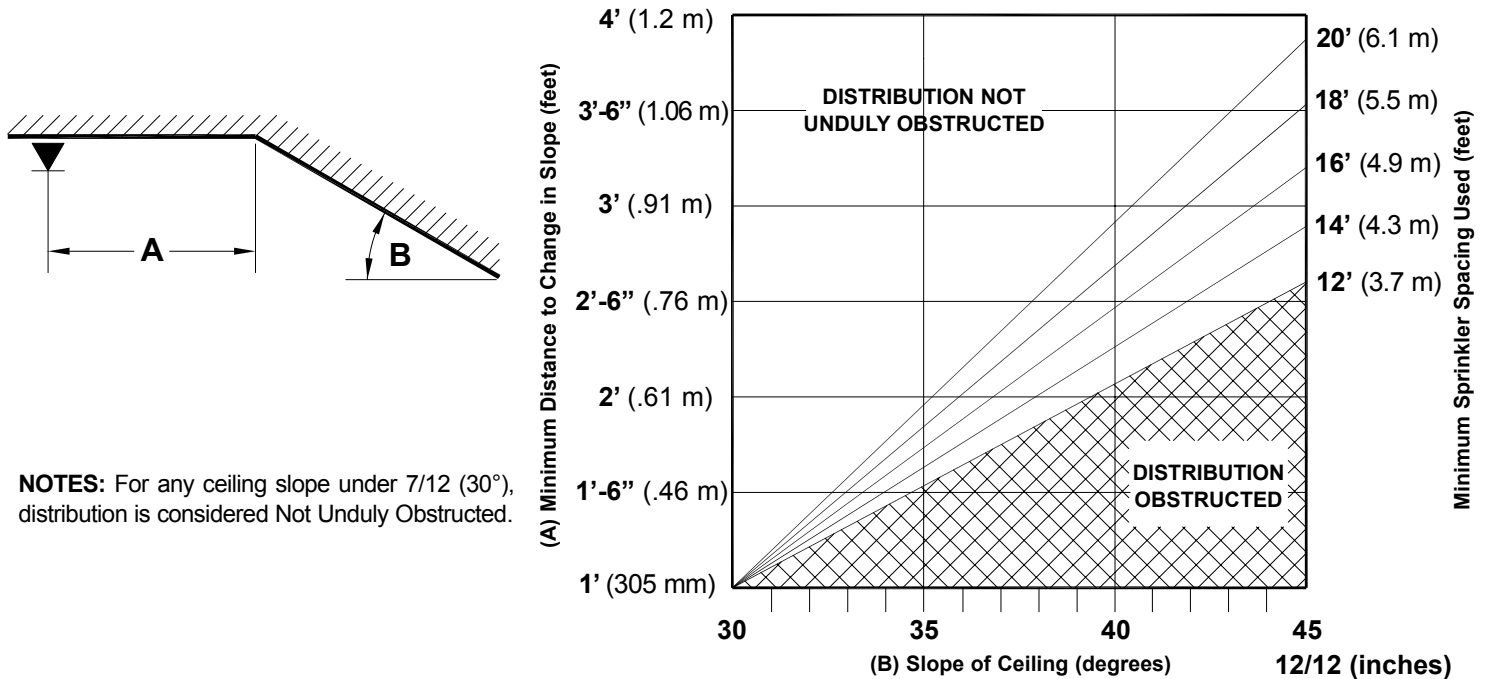


TECHNICAL DATA

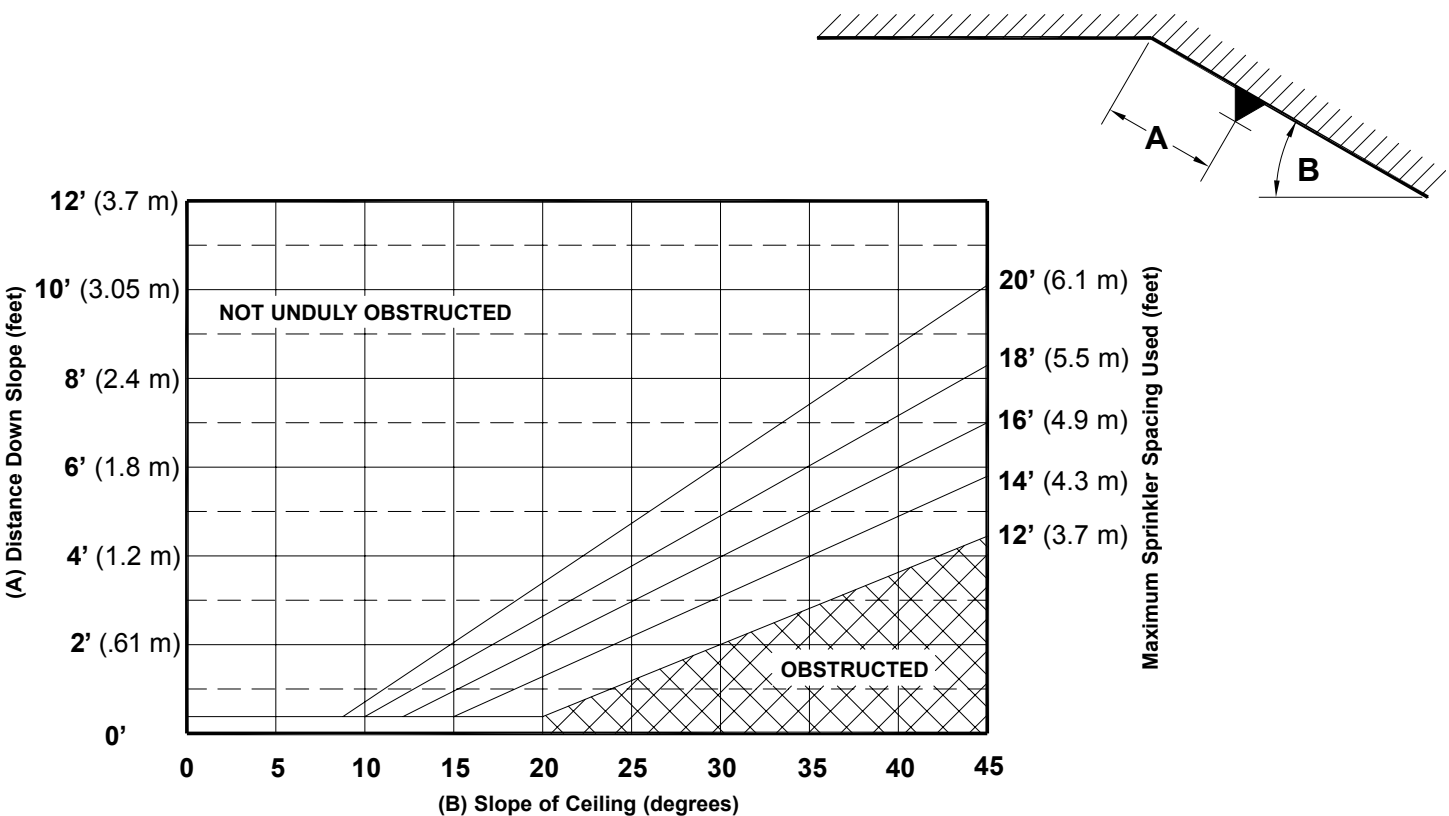
**FREEDOM® RESIDENTIAL
SPRINKLER
INSTALLATION GUIDE**

The Viking Corporation, 210 N Industrial Park Drive, Hastings MI 49058
 Telephone: 269-945-9501 Technical Services: 877-384-5464 Fax: 269-818-1680 Email: techsvcs@vikingcorp.com

MINIMUM DISTANCE BETWEEN SPRINKLER AND INTERSECTING SLOPED CEILINGS



MAXIMUM DISTANCE DOWN SLOPE TO AVOID OBSTRUCTION TO SPRINKLER DISCHARGE





TECHNICAL DATA

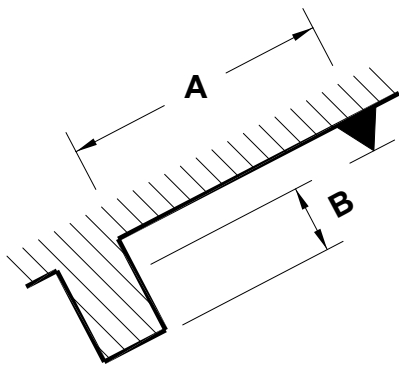
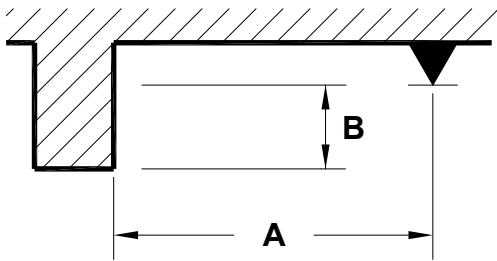
**FREEDOM® RESIDENTIAL
SPRINKLER
INSTALLATION GUIDE**

The Viking Corporation, 210 N Industrial Park Drive, Hastings MI 49058
 Telephone: 269-945-9501 Technical Services: 877-384-5464 Fax: 269-818-1680 Email: techsvcs@vikingcorp.com

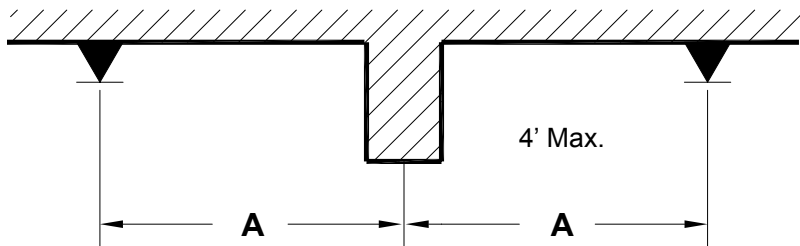
AVOIDING OBSTRUCTIONS TO SPRINKLER DISCHARGE

(Obstruction rules for residential sprinklers are found in section 8.10 of the 2010 edition of NFPA 13.)

Positioning Residential Pendent Sprinklers - Obstructions at the Ceiling

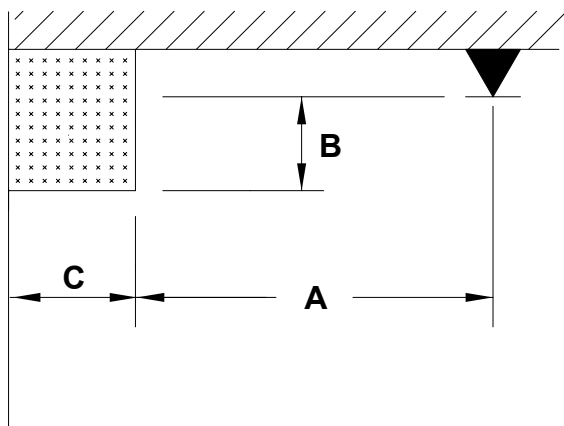


Distance from Sprinkler to Side of Ceiling Obstruction (Dimension A)	Maximum Distance from Deflector to Bottom of Ceiling Obstruction (Dimension B)	
	Inches	mm
Less than 1 ft. 6 in. (Less than 457 mm)	0	0
1 ft. 6 in. to less than 3 ft. (457 mm to less than .94 m)	1	25.4
3 ft. to less than 4 ft. (.91 m to less than 1.2 m)	3	76
4 ft. to less than 4 ft. 6 in. (1.2 m to less than 1.37 m)	5	127
4 ft. 6 in. to less than 6 ft. (1.37 m to less than 1.8 m)	7	178
6 ft. to less than 6 ft. 6 in. (1.8 m to less than 2 m)	9	229
6 ft. 6 in. to less than 7 ft. (2 m to less than 2.1 m)	11	279
7 ft. or greater (2.1 m or greater)	14	356



Residential pendent sprinklers may be located on opposite sides of continuous obstructions up to 4 ft. (1.2 m) wide at the ceiling, as long as the distance from the centerline of the obstruction to the sprinklers (A) does not exceed one-half the maximum spacing allowed between sprinklers.

Positioning Residential Pendent Sprinklers - Obstructions Along Walls



- (A) Distance from centerline of sprinkler to side of obstruction.
- (B) Distance from deflector to bottom of obstruction.
- (C) Width of the obstruction.

Obstructions up to 30 in. (.8 m) wide (C) located against the wall are permitted to be protected when (A) is greater than or equal to (C) minus 8 in. (.2 m) plus (B).

$$C \leq 30 \text{ in.} \quad \text{for metric } C \leq .8 \text{ m}$$

$$A \geq (C - 8 \text{ in.}) + B \quad A \geq (C - .2 \text{ m}) + B$$

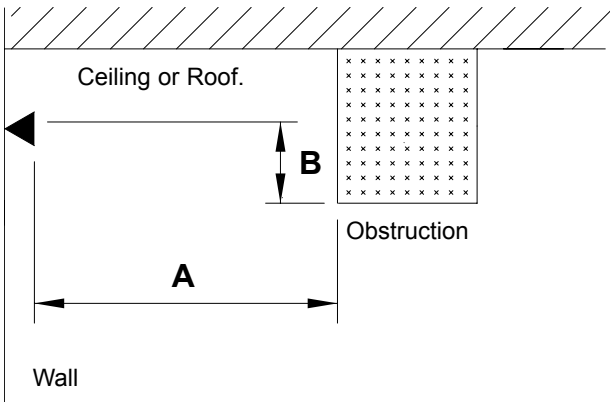
	TECHNICAL DATA	FREEDOM® RESIDENTIAL SPRINKLER INSTALLATION GUIDE
---	-----------------------	--

The Viking Corporation, 210 N Industrial Park Drive, Hastings MI 49058
 Telephone: 269-945-9501 Technical Services: 877-384-5464 Fax: 269-818-1680 Email: techsvcs@vikingcorp.com

AVOIDING OBSTRUCTIONS TO SPRINKLER DISCHARGE

(Obstruction rules for residential sprinklers are found in section 8.10 of the 2010 edition of NFPA 13.)

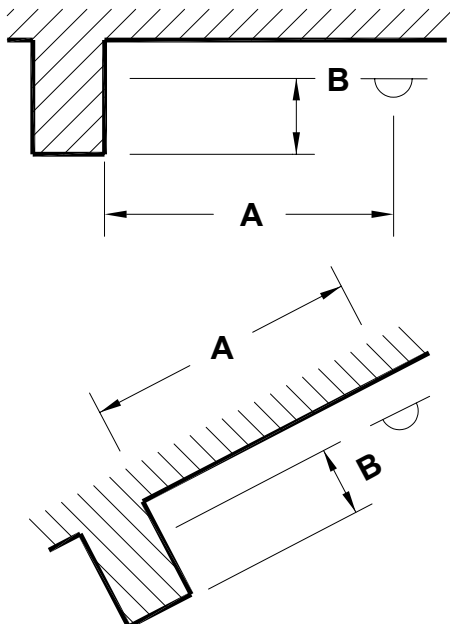
Positioning Residential Horizontal Sidewall Sprinklers - Obstructions at the Ceiling



(A) Distance from sprinkler to side of obstruction.
 (B) Distance from deflector to bottom of obstruction.

Distance from Sprinkler to Side of Ceiling Obstruction (Dimension A)	Maximum Distance from Deflector to Bottom of Ceiling Obstruction (Dimension B)	
	Inches	mm
Less than 8 ft. (Less than 2.4 m)	No Obstructions Allowed	
8 ft. to less than 10 ft. (2.4 m to less than 3.05 m)	1	25.4
10 ft. to less than 11 ft. (3.05 m to less than 3.35 m)	2	50.8
11 ft. to less than 12 ft. (3.35 m to less than 3.7 m)	3	76
12 ft. to less than 13 ft. (3.7 m to less than 4 m)	4	102
13 ft. to less than 14 ft. (4 m to less than 4.3 m)	6	152
14 ft. to less than 15 ft. (4.3 m to less than 4.6 m)	7	178
15 ft. to less than 16 ft. (4.6 m to less than 4.9 m)	9	229
16 ft. to less than 17 ft. (4.9 m to less than 5.2 m)	11	279
17 ft. or greater (5.2 m or greater)	14	356

Positioning Residential Horizontal Sidewall Sprinklers - Obstructions Along Walls



Distance from Sprinkler to Side of Obstruction Along Wall (Dimension A)	Maximum Distance from Deflector to Bottom of Obstruction (Dimension B)	
	Inches	mm
Less than 1 ft. 6 in. (Less than 457 mm)	0	0
1 ft. 6 in. to less than 3 ft. (457 mm to less than .94 m)	1	25.4
3 ft. to less than 4 ft. (.91 m to less than 1.2 m)	3	76
4 ft. to less than 4 ft. 6 in. (1.2 m to less than 1.37 m)	5	127
4 ft. 6 in. to less than 6 ft. (1.37 m to less than 1.8 m)	7	178
6 ft. to less than 6 ft. 6 in. (1.8 m to less than 2 m)	9	229
6 ft. 6 in. to less than 7 ft. (2 m to less than 2.1 m)	11	279
7 ft. or greater (2.1 m or greater)	14	356

(A) Distance from sprinkler to side of obstruction.
 (B) Distance from deflector to bottom of obstruction.



TECHNICAL DATA

FREEDOM® RESIDENTIAL SPRINKLER INSTALLATION GUIDE

The Viking Corporation, 210 N Industrial Park Drive, Hastings MI 49058

Telephone: 269-945-9501 Technical Services: 877-384-5464 Fax: 269-818-1680 Email: techsvcs@vikingcorp.com

LOCATING RESIDENTIAL SPRINKLERS NEAR HEAT SOURCES

Ordinary temperature rated residential sprinklers (135 °F to 170 °F rated) are only to be installed where the maximum ambient ceiling temperature will not exceed 100 °F. Where the maximum ambient ceiling temperature will be from 101 °F to 150 °F, use intermediate temperature rated residential sprinklers (175 °F to 225 °F rated).

Residential sprinklers must be positioned a sufficient distance away from heat sources that include fireplaces, stoves, kitchen ranges, wall ovens, hot water pipes, water heaters, furnaces and associated flues and ducts, and light fixtures. The following minimum distances must be maintained for both ordinary and intermediate temperature rated residential sprinklers as indicated.

Heat Source	Minimum Distance from Edge of Source to Ordinary Temperature Rated Sprinkler		Minimum Distance from Edge of Source to Intermediate Temperature Rated Sprinkler	
	Inches	metric	Inches	metric
Side of open or recessed fireplace	36	.91 m	12	305 mm
Front of recessed fire place	60	1.5 m	36	.91 m
Coal- or wood-burning stove	42	1.1 m	12	305 mm
Kitchen range	18	457 mm	9	229 mm
Wall oven	18	457 mm	9	229 mm
Hot air flues	18	457 mm	9	229 mm
Uninsulated heat ducts	18	457 mm	9	229 mm
Uninsulated hot water pipes	12	305 mm	6	152 mm
Side of ceiling- or wall-mounted hot air diffusers	24	.61 m	12	305 mm
Front of wall-mounted hot air diffusers	36	.91 m	18	457 mm
Hot water heater or furnace	6	152 mm	3	76 mm
Light fixture less than 250W	6	152 mm	3	76 mm
Light fixture 250W to 499W	12	305 mm	6	152 mm
Where residential sprinklers will be exposed to the rays of the sun passing through glass or plastic skylights, use intermediate temperature rated sprinklers.				
When locating residential sprinklers in an unventilated concealed compartment, under an unventilated attic or uninsulated roof, where the maximum ambient temperature does not exceed 150 °F, use intermediate temperature rated sprinklers.				



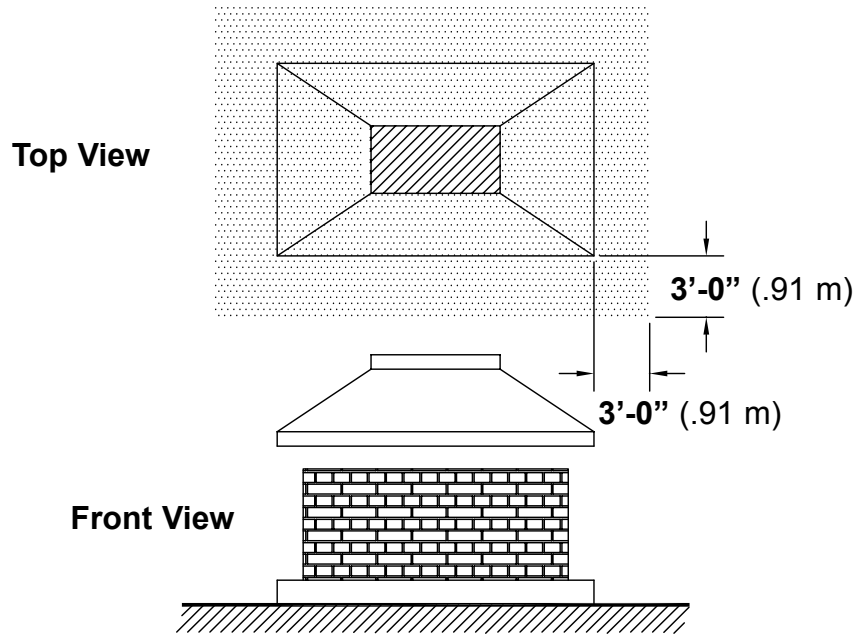
TECHNICAL DATA

**FREEDOM® RESIDENTIAL
SPRINKLER
INSTALLATION GUIDE**

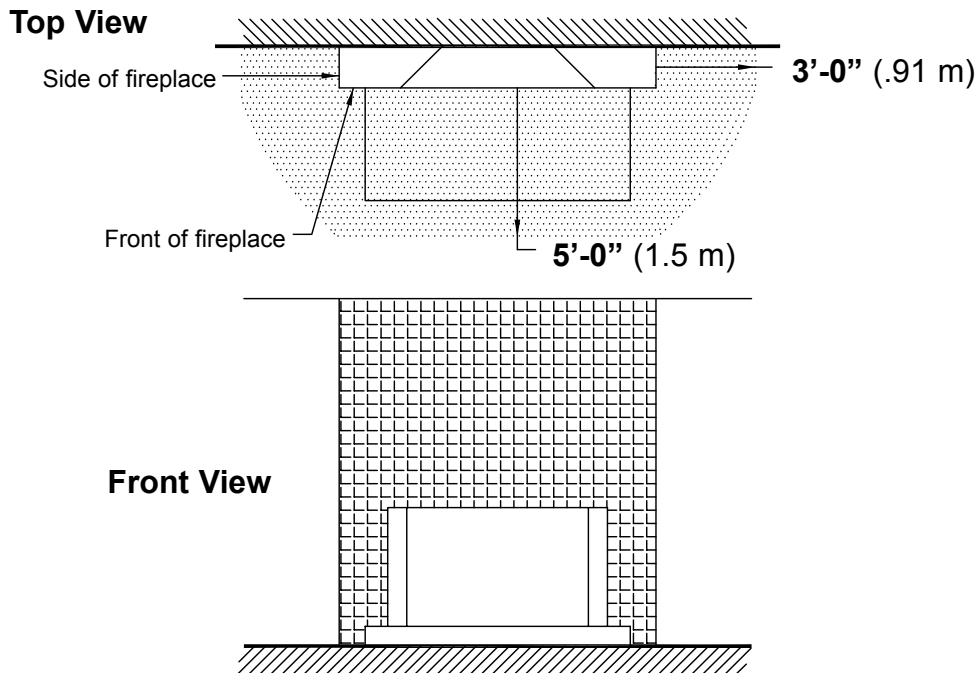
The Viking Corporation, 210 N Industrial Park Drive, Hastings MI 49058

Telephone: 269-945-9501 Technical Services: 877-384-5464 Fax: 269-818-1680 Email: techsvcs@vikingcorp.com

NOTE: The dimensions shown are intended to apply to residential sprinklers installed in ceilings above fireplaces used to burn products that cause elevated temperatures at or near the ceiling in areas surrounding the fireplace. The recommendations should not be construed to apply to decorative non-opening fireplaces such as gas fire units that will not cause elevated temperatures at the ceiling.



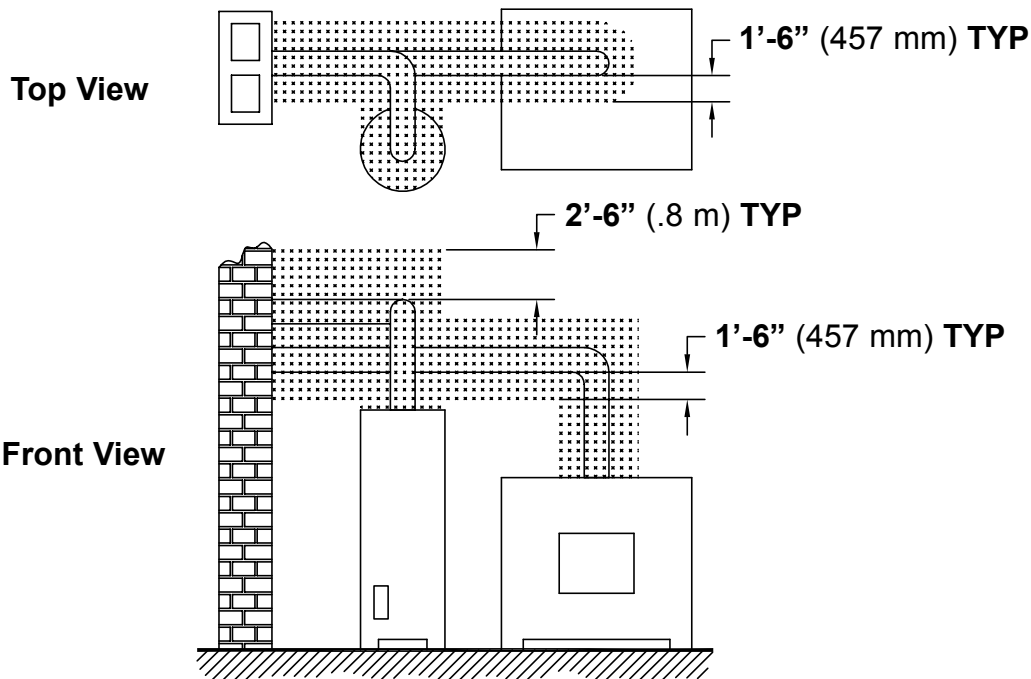
Sprinklers near an open hearth fireplace must be located outside of the shaded area or be intermediate degree rated.



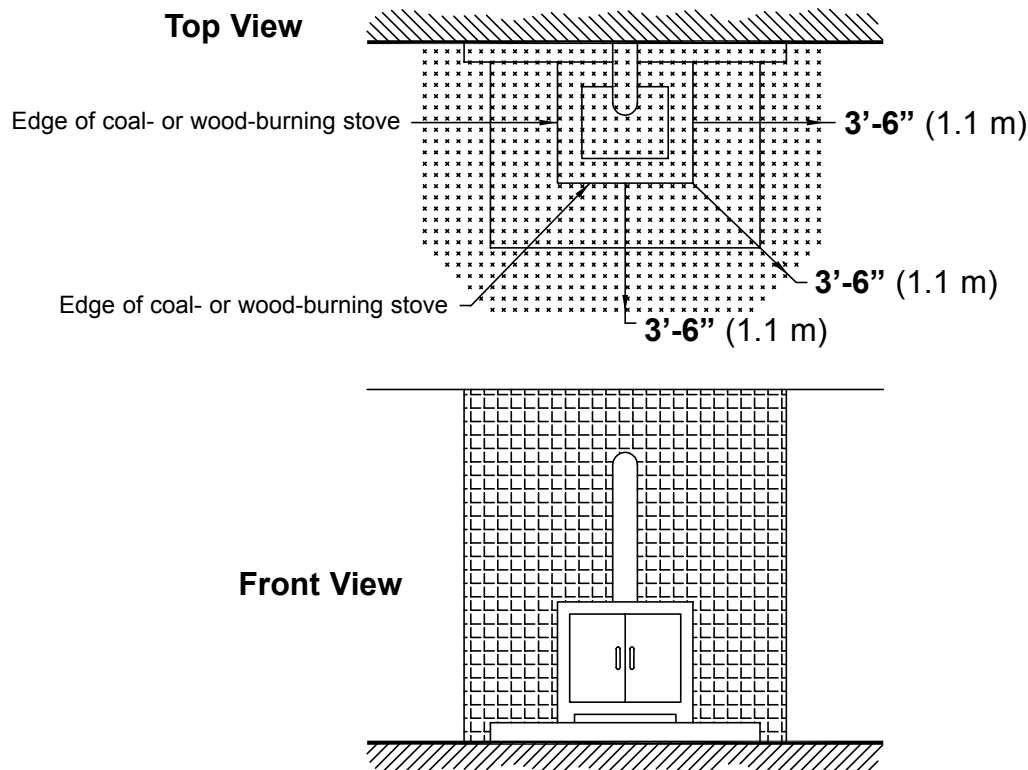
Sprinklers near a recessed hearth fireplace must be located outside of the shaded area [at least 3'-0" (.91 m)] from the side of a recessed fireplace and at least 5'-0" (1.5 m) from the front) or be intermediate degree rated.

<h1 style="margin: 0;">VIKING</h1>	<h2 style="margin: 0;">TECHNICAL DATA</h2>	<h3 style="margin: 0;">FREEDOM® RESIDENTIAL SPRINKLER INSTALLATION GUIDE</h3>
------------------------------------	--	---

The Viking Corporation, 210 N Industrial Park Drive, Hastings MI 49058
 Telephone: 269-945-9501 Technical Services: 877-384-5464 Fax: 269-818-1680 Email: techsvcs@vikingcorp.com



Sprinklers near a furnace or water heater must be located outside of the shaded area or be intermediate degree rated.



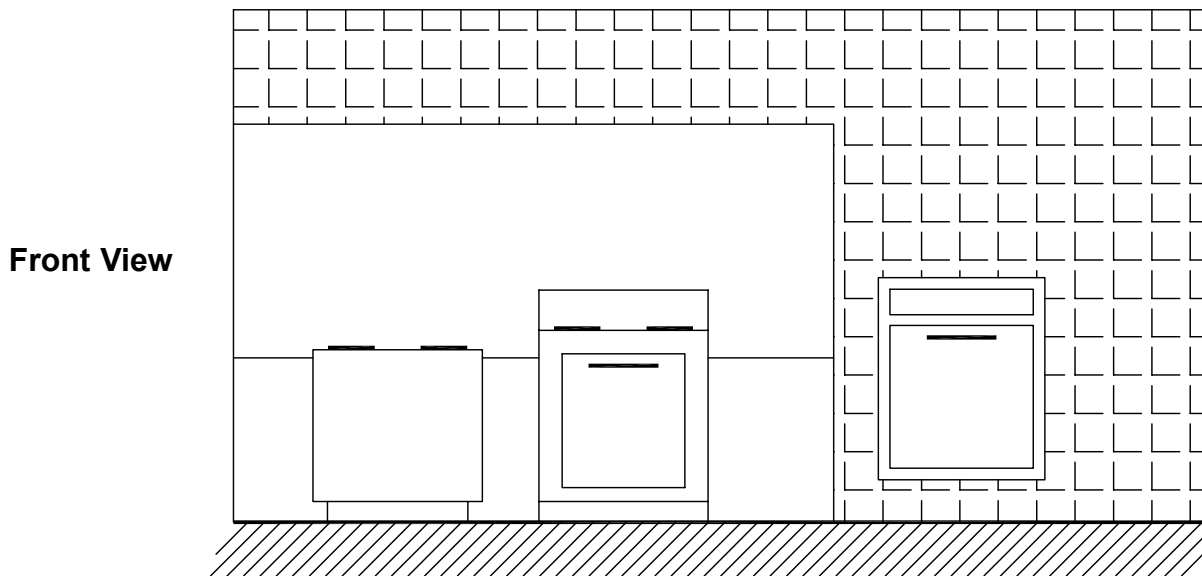
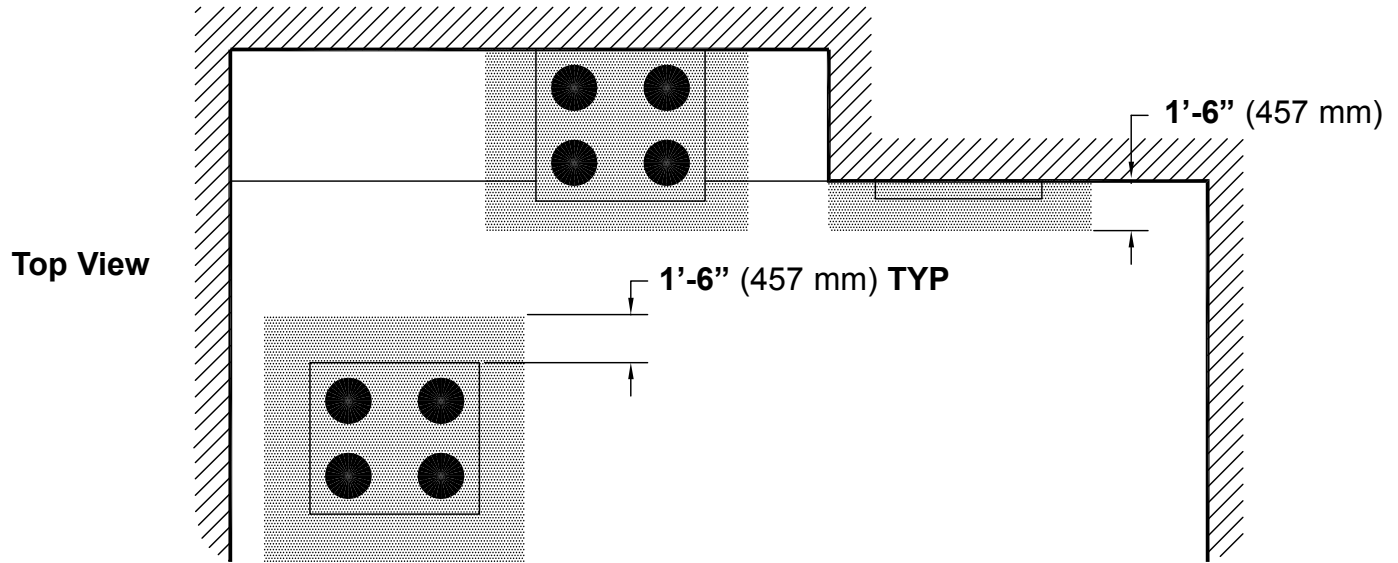
Sprinklers near a coal- or wood-burning stove must be located outside of shaded area or be intermediate degree rated.



TECHNICAL DATA

FREEDOM® RESIDENTIAL
SPRINKLER
INSTALLATION GUIDE

The Viking Corporation, 210 N Industrial Park Drive, Hastings MI 49058
Telephone: 269-945-9501 Technical Services: 877-384-5464 Fax: 269-818-1680 Email: techsvcs@vikingcorp.com



Sprinklers near a range or wall oven must be located outside of shaded areas or be intermediate degree rated.



TECHNICAL DATA

FREEDOM® RESIDENTIAL HORIZONTAL SIDEWALL SPRINKLER VK484 (K4.2)

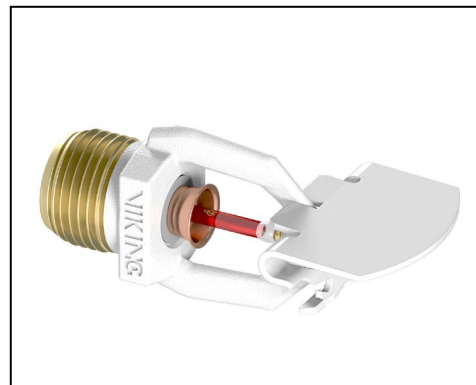
The Viking Corporation, 210 N Industrial Park Drive, Hastings MI 49058

Telephone: 269-945-9501 Technical Services: 877-384-5464 Fax: 269-818-1680 Email: techsvcs@vikingcorp.com

Visit the Viking website for the latest edition of this technical data page www.vikinggroupinc.com

1. DESCRIPTION

Viking Freedom® Residential Horizontal Sidewall Sprinkler VK484 is a small, thermosensitive, glass-bulb residential sprinkler available in several different finishes and temperature ratings to meet varying design requirements. The Electroless Nickel PTFE (ENT) coating has been investigated for installation in corrosive atmospheres and is cULus Listed as corrosion resistant as indicated in the Approval Chart. The sprinkler orifice design, with a K-factor of 4.2, allows efficient use of available water supplies for the hydraulically designed fire-protection system. The glass bulb operating element and special deflector characteristics meet the challenges of residential sprinkler standards.



WARNING: Cancer and Reproductive Harm-
www.P65Warnings.ca.gov

2. LISTINGS AND APPROVALS

 **UL Listed (C-UL-US-EU)** Category VKKW

Refer to the Approval Chart and Design Criteria for cULus Listing requirements that must be followed.

3. TECHNICAL DATA

Specifications:

Available since 2011.

Minimum Operating Pressure: Refer to the Approval Chart.

Maximum Working Pressure: 175 psi (12 bar). Factory tested hydrostatically to 500 psi (34.5 bar).

Thread size: 1/2" (15 mm) NPT

Nominal K-Factor: 4.2 U.S. (57 metric†)

† Metric K-factor measurement shown is in Bar. When pressure is measured in kPa, divide the metric K-factor shown by 10.0.

Glass-bulb fluid temperature rated to -65 °F (-55 °C)

Overall Length: 3" (76 mm)

Material Standards:

Frame Casting: QM Brass

Deflector: Brass UNS-C23000

Bulb: Glass, nominal 3 mm diameter

Belleville Spring Sealing Assembly: Nickel Alloy, coated on both sides with Polytetrafluoroethylene (PTFE)

Compression Screw: Brass UNS-C36000

Pip Cap and Insert Assembly: Copper UNS-C11000 and Stainless Steel UNS-S30400

Pip Cap Attachment: Brass UNS-C36000

For ENT coated sprinklers: Belleville spring - Exposed, Screw and Pipcap - ENT plated.

Ordering Information: (Also refer to the current Viking price list.)

Sprinkler: Base Part No. 16240

Order Sprinkler VK484 by first adding the appropriate suffix for the sprinkler finish and then the appropriate suffix for the temperature rating to the sprinkler base part number.

Finish Suffix: Brass = A, Chrome = F, White Polyester = M-W, Black Polyester = M-B, and ENT = JN

Temperature Suffix: 155 °F (68 °C) = B, 175 °F (79 °C) = D

For example, sprinkler VK484 with a Brass finish and a 155 °F (68 °C) temperature rating = Part No. 16240AB.

Available Finishes And Temperature Ratings:

Refer to Table 1.

Accessories: (Also refer to the Viking website.)

Sprinkler Wrenches:

A. Standard Wrench: Part No. 21475MB (available since 2017)

B. Wrench for recessed sprinklers: Part No. 13655WB†† (available since 2006)

††A 1/2" ratchet is required (not available from Viking).

Sprinkler Cabinets:

A. Six-head capacity: Part No. 01724A (available since 1971)

B. Twelve-head capacity: Part No. 01725A (available since 1971)

	TECHNICAL DATA	FREEDOM® RESIDENTIAL HORIZONTAL SIDEWALL SPRINKLER VK484 (K4.2)
---	-----------------------	--

The Viking Corporation, 210 N Industrial Park Drive, Hastings MI 49058
 Telephone: 269-945-9501 Technical Services: 877-384-5464 Fax: 269-818-1680 Email: techsvcs@vikingcorp.com
 Visit the Viking website for the latest edition of this technical data page www.vikinggroupinc.com

4. INSTALLATION

Refer to appropriate NFPA Installation Standards.

5. OPERATION

During fire conditions, the heat-sensitive liquid in the glass bulb expands, causing the glass to shatter, releasing the pip cap and sealing spring assembly. Water flowing through the sprinkler orifice strikes the sprinkler deflector, forming a uniform spray pattern to extinguish or control the fire.

6. INSPECTIONS, TESTS AND MAINTENANCE

Refer to NFPA 25 for Inspection, Testing and Maintenance requirements.

7. AVAILABILITY

The Viking Model VK484 Sprinkler is available through a network of domestic and international distributors. See The Viking Corporation web site for the closest distributor or contact The Viking Corporation.

8. GUARANTEE

For details of warranty, refer to Viking's current list price schedule or contact Viking directly.

TABLE 1: AVAILABLE SPRINKLER TEMPERATURE RATINGS AND FINISHES

Sprinkler Temperature Classification	Sprinkler Nominal Temperature Rating ¹	Maximum Ambient Ceiling Temperature ²	Bulb Color
Ordinary	155 °F (68 °C)	100 °F (38 °C)	Red
Intermediate	175 °F (79 °C)	150 °F (65 °C)	Yellow

Sprinkler Finishes: Brass, Chrome, White Polyester³, Black Polyester³, and ENT^{3,4}

Footnotes

- ¹ The sprinkler temperature rating is stamped on the deflector.
- ² Based on NFPA-13. Other limits may apply, depending on fire loading, sprinkler location, and other requirements of the Authority Having Jurisdiction. Refer to specific installation standards.
- ³ Sprinklers with ENT, White Polyester, and Black Polyester finishes are C-UL-US-EU Listed as corrosion resistant.
- ⁴ The ENT coating has passed the standard corrosion test required by the approving agencies indicated in the Approval Chart. These tests cannot and do not represent all possible corrosive environments. Prior to installation, verify through the end-user that the coatings are compatible with or suitable for the proposed environment. For ENT coated sprinklers, the waterway is coated. Note that the spring is exposed on sprinklers with ENT coating.

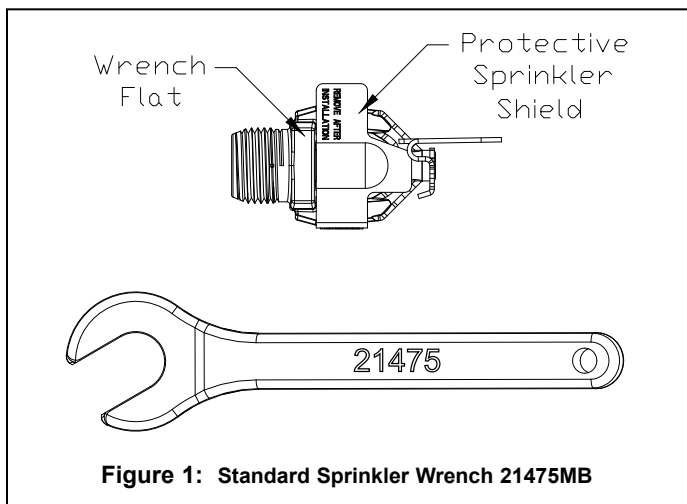


Figure 1: Standard Sprinkler Wrench 21475MB



TECHNICAL DATA

FREEDOM® RESIDENTIAL HORIZONTAL SIDEWALL SPRINKLER VK484 (K4.2)

The Viking Corporation, 210 N Industrial Park Drive, Hastings MI 49058
 Telephone: 269-945-9501 Technical Services: 877-384-5464 Fax: 269-818-1680 Email: techsvcs@vikingcorp.com
 Visit the Viking website for the latest edition of this technical data page www.vikinggroupinc.com

Approval Chart Viking VK484, 4.2 K-Factor Residential Horizontal Sidewall Sprinkler

For systems designed to NFPA 13D or NFPA 13R. For systems designed to NFPA 13, refer to the design criteria. For Ceiling types refer to NFPA 13, 13R or 13D current editions

Sprinkler Base Part Number ¹	SIN	NPT Thread Size		Nominal K-Factor		Maximum Water Working Pressure	Overall Length							
		Inches	mm	U.S.	metric ²		Inches	mm						
16240	VK484	1/2	15	4.2	57	175 psi (12 bar)	3	76						
Max. Coverage Area ⁴ Width X Length Ft. X Ft. (m X m)	Max. Spacing Ft. (m)	Ordinary Temp Rating (155 °F/68 °C)		Intermediate Temp Rating (175 °F/79 °C)		Top of Deflector to Ceiling	Installation Type	Listings and Approvals ³		Minimum Spacing Ft. (m)				
		Flow ⁴ GPM (L/min)	Pressure ⁴ PSI (bar)	Flow ⁴ GPM (L/min)	Pressure ⁴ PSI (bar)			C-UL-US-EU ⁵	NYC					
12 X 12 (3.7 X 3.7)	12 (3.7)	13 (49.2)	9.6 (0.66)	13 (49.2)	9.6 (0.66)	4 to 6 inches	Standard surface-mounted escutcheons or recessed with the Micromatic® Model E-1, E-2, E-3, or G-1 Recessed Escutcheon	See Footnotes 7 and 9.	See Footnote 6	8 (2.4)				
14 X 14 (4.3 X 4.3)	14 (4.3)	14 (53.0)	11.1 (0.77)	15 (56.8)	12.8 (0.88)									
16 X 16 (4.9 X 4.9)	16 (4.9)	16 (60.6)	14.5 (1.00)	17 (64.4)	16.4 (1.13)									
16 X 18 (4.9 X 5.5)	16 (4.9)	19 (71.9)	20.5 (1.41)	19 (71.9)	20.5 (1.41)									
16 X 20 (4.9 X 6.1)	16 (4.9)	22 (83.3)	27.4 (1.89)	22 (83.3)	27.4 (1.89)									
12 X 12 (3.7 X 3.7)	12 (3.7)	14 (53.0)	11.1 (0.77)	14 (53.0)	11.1 (0.77)	6 to 12 inches					Standard surface-mounted escutcheons or recessed with the Micromatic® Model E-1, E-2, E-3, or G-1 Recessed Escutcheon	See Footnotes 7 and 9.	See Footnote 6	8 (2.4)
14 X 14 (4.3 X 4.3)	14 (4.3)	16 (60.6)	14.5 (1.00)	16 (60.6)	14.5 (1.00)									
16 X 16 (4.9 X 4.9)	16 (4.9)	18 (68.1)	18.4 (1.27)	18 (68.1)	18.4 (1.27)									
16 X 18 (4.9 X 5.5)	16 (4.9)	20 (75.7)	22.7 (1.56)	20 (75.7)	22.7 (1.56)									
16 X 20 (4.9 X 6.1)	16 (4.9)	25 (94.6)	35.4 (2.44)	25 (94.6)	35.4 (2.44)									

Footnotes

- ¹ Part number shown is the base part number. For complete part number, refer to Viking's current price schedule.
- ² Metric K-factor measurement shown is when pressure is measured in Bar. When pressure is measured in kPa, divide the metric K-factor shown by 10.0.
- ³ This chart shows the listings and approvals available at the time of printing. Other approvals may be in process. Check with the manufacturer for any additional approvals. Refer also to Design Criteria.
- ⁴ For areas of coverage smaller than shown, use the "Flow" and "Pressure" for the next larger area listed. Flows and pressures listed are per sprinkler.
- ⁵ Listed by Underwriter's Laboratories, Inc. for use in the U.S., Canada, and the European Union.
- ⁶ Meets New York City requirements, effective July 1, 2008.
- ⁷ Approved Finishes are: Brass, Chrome, White Polyester, and Black Polyester ⁸
- ⁸ Other paint colors are available on request with the same cULus listings as the standard finish colors.
- ⁹ Approved finish is Electroless Nickel PTFE (ENT). Sprinklers with ENT, White Polyester, and Black Polyester finishes are C-UL-US-EU Listed as corrosion resistant. ENT is available with standard surface-mounted escutcheons or the Model E-1 Recessed Escutcheon.



TECHNICAL DATA

FREEDOM® RESIDENTIAL HORIZONTAL SIDEWALL SPRINKLER VK484 (K4.2)

The Viking Corporation, 210 N Industrial Park Drive, Hastings MI 49058
 Telephone: 269-945-9501 Technical Services: 877-384-5464 Fax: 269-818-1680 Email: techsvcs@vikingcorp.com
 Visit the Viking website for the latest edition of this technical data page www.vikinggroupinc.com

DESIGN CRITERIA

(Also refer to the Approval Chart.)

cULus Listing Requirements:

When using Viking Residential Sprinkler VK484 for systems designed to NFPA 13D or NFPA 13R, apply the listed areas of coverage and minimum water supply requirements shown in the Approval Chart.

For systems designed to NFPA 13: The number of design sprinklers is to be the four contiguous most hydraulically demanding sprinklers. The minimum required discharge from each of the four sprinklers is to be the greater of the following:

- The flow rates given in the Approval Chart for NFPA 13D and NFPA13R applications for each listed area of coverage, or
- Calculated based on a minimum discharge of 0.1 gpm/sq. ft. over the "design area" in accordance with sections 8.5.2.1 or 8.6.2.1.2 of NFPA 13.
- Minimum distance between residential sprinklers: 8 ft. (2.4 m).
- The VK484 horizontal sidewall sprinkler deflector shall be located a minimum of 1-3/4" (44.5 mm) and a maximum of 6" (152 mm) from the wall on which it is installed.

DEFLECTOR POSITION: Install Viking Residential Horizontal Sidewall Sprinkler VK484 with the leading edge of the deflector oriented parallel with the ceiling and the sprinkler frame arms oriented perpendicular to the ceiling. Refer to the Approval Chart for the required distance between the top of the deflector and the ceiling.

IMPORTANT: Always refer to Bulletin Form No. F_091699 - Care and Handling of Sprinklers. Also refer to Form No. F_080614 for general care, installation, and maintenance information. Viking sprinklers are to be installed in accordance with the latest edition of Viking technical data, the appropriate standards of NFPA and any other similar Authorities Having Jurisdiction, and also with the provisions of governmental codes, ordinances, and standards, whenever applicable. Final approval and acceptance of all residential sprinkler installations must be obtained from the Authorities Having Jurisdiction.

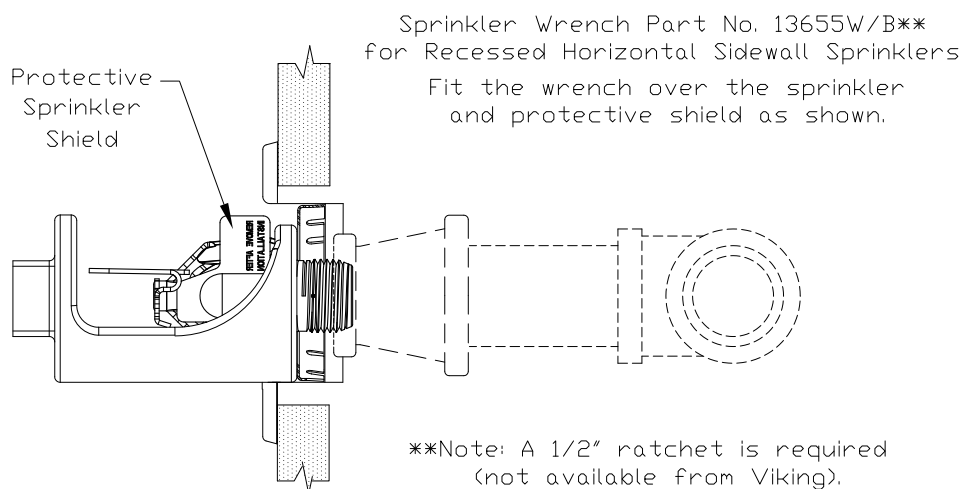


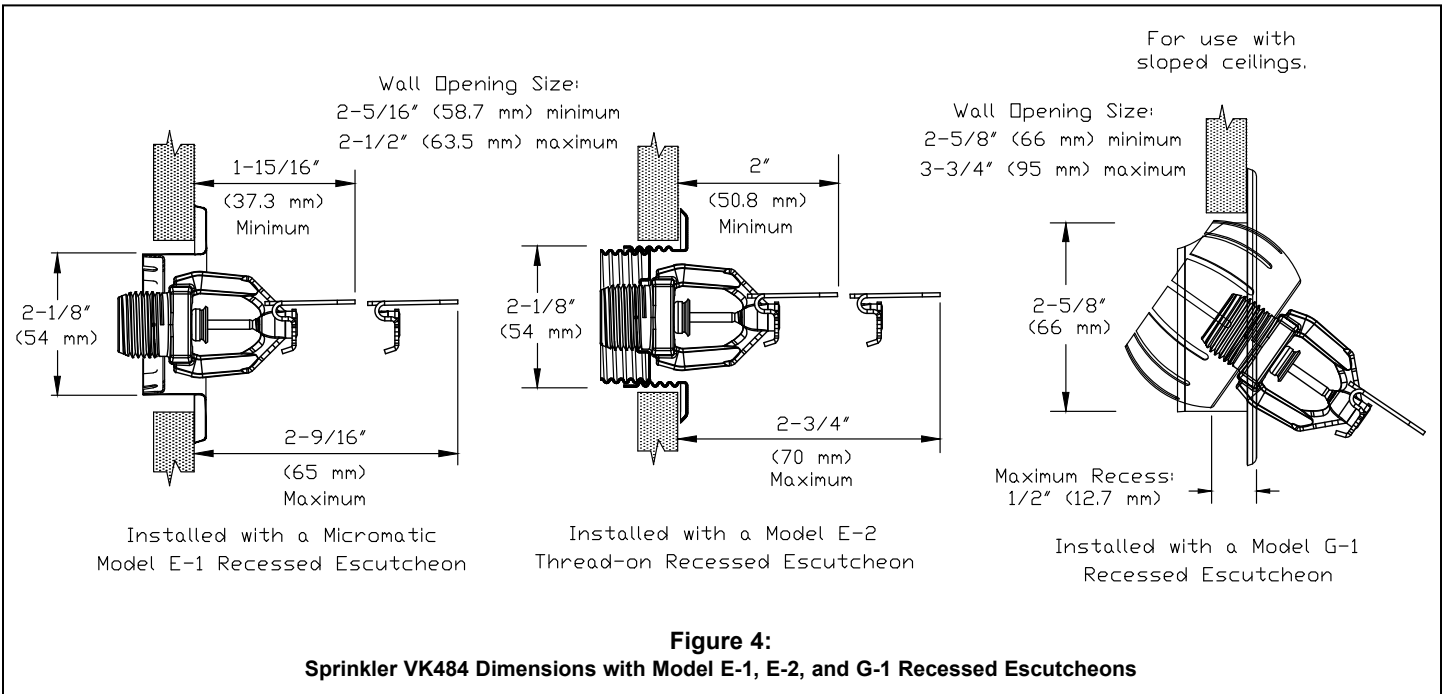
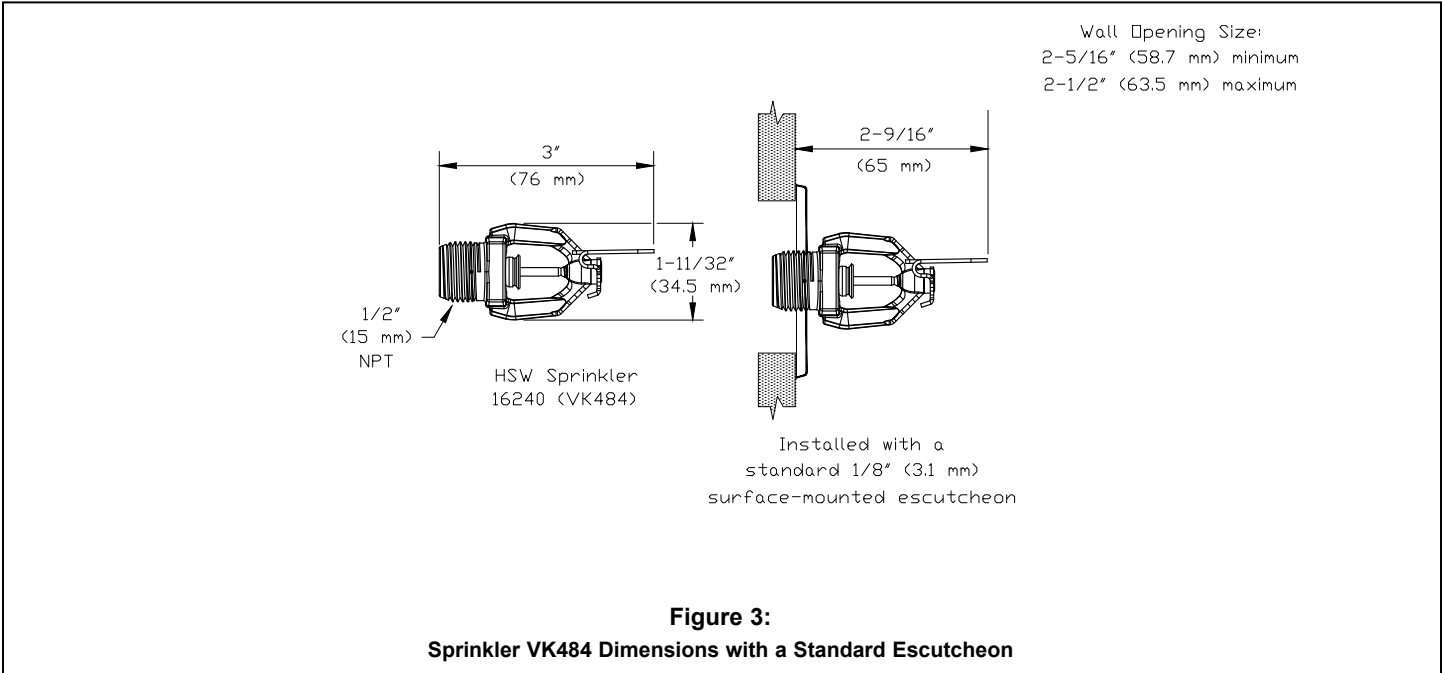
Figure 2: Wrench 13655W/B for Recessed Sprinkler VK484



TECHNICAL DATA

**FREEDOM® RESIDENTIAL
HORIZONTAL SIDEWALL
SPRINKLER VK484 (K4.2)**

The Viking Corporation, 210 N Industrial Park Drive, Hastings MI 49058
 Telephone: 269-945-9501 Technical Services: 877-384-5464 Fax: 269-818-1680 Email: techsvcs@vikingcorp.com
 Visit the Viking website for the latest edition of this technical data page www.vikinggroupinc.com





TECHNICAL DATA SHEET

VK3021 Quick Response Pendent Sprinkler K5.6 (80.6)

1. PRODUCT IDENTIFICATION

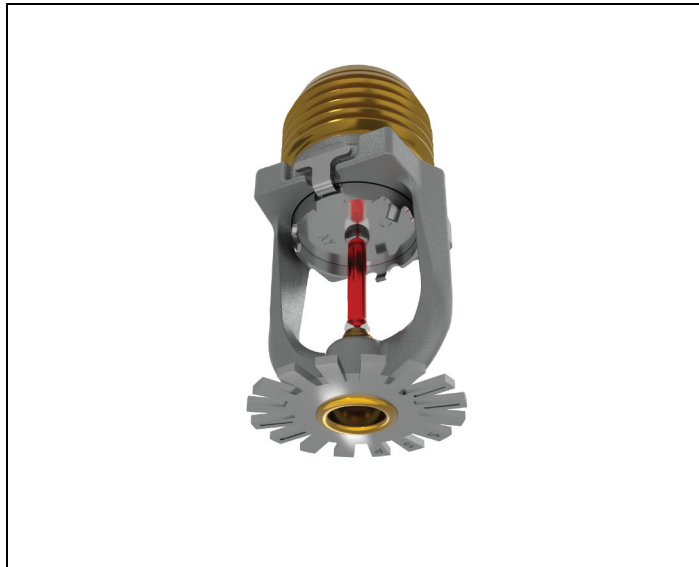
This document covers the following product, hereafter referred to as “sprinkler”:

VK3021: Quick Response, Standard Coverage, Pendent, K5.6 (80.6) Sprinkler.

2. INTENDED USE

The sprinkler is intended to be used in automatic fire sprinkler systems as allowed by applicable approval authorities. The sprinkler must be used in accordance with:

1. the sprinkler’s Listings, Approvals, and associated design requirements.
2. the recognized design and installations standards issued, for example NFPA, FM, EN, VdS, or LPCB.
3. the latest revisions of all applicable manufacturer’s documentation.



Governmental codes, ordinances, and standards may apply and may differ from one another.

WARNING

Cancer and Reproductive Harm www.P65Warnings.ca.gov

3. LISTING AND APPROVALS

Refer to section 5 for details and requirements that must be followed.



cULus Listed



VdS Approved



FM Approved



UKCA Approved



CE



MED Approved



LPCB Approved


TECHNICAL DATA SHEET
**VK3021 Quick Response
Pendent Sprinkler K5.6 (80.6)**
4. TECHNICAL SPECIFICATIONS
4.1 Definitions

Standard Pendent Sprinkler: A sprinkler intended to be oriented with the deflector below the frame so water flows downward through the orifice, striking the deflector and forming an umbrella-shaped spray pattern downward. These sprinklers are marked “SP/RP” (Standard Pendent/Recessed Pendent). When a standard pendent sprinkler is used with a recessed escutcheon, it becomes a recessed pendent sprinkler.

Recessed Sprinkler: A spray sprinkler assembly intended for installation with a concealed piping system. The assembly consists of a sprinkler installed in a decorative adjustable recessed escutcheon that minimizes the protrusion of the sprinkler beyond the ceiling or wall without adversely affecting the sprinkler distribution or sensitivity. Refer to the appropriate technical data page for allowable sprinkler models, temperature ratings, and occupancy classifications.

NOTICE: Do not recess any sprinkler not listed or approved for use with the escutcheon. Refer to Section 5.

Corrosion Resistant Sprinkler: A special service sprinkler with non-corrosive protective coatings, or that is fabricated from non-corrosive material, for use in atmospheres that would normally corrode sprinklers. Sprinklers can be ordered as corrosion resistant sprinklers and can be used with escutcheons when allowed by the approval body.

4.2 Ratings and Physical Characteristics

Parameter	Value
Minimum operating pressure	7 psi (0.5 bar)
Maximum rated pressure	UL: 250 psi (17 bar) FM and CE: 175 psi (12 bar)
Factory tested pressure	500 psi (35 bar)
Thread size	1/2" NPT or 15 mm BSPT
Nominal K-factor	5.6 U.S. (80.6)
Minimum temperature rating (glass bulb)	-65 °F (-55 °C)

4.3 Markings and Dimensions

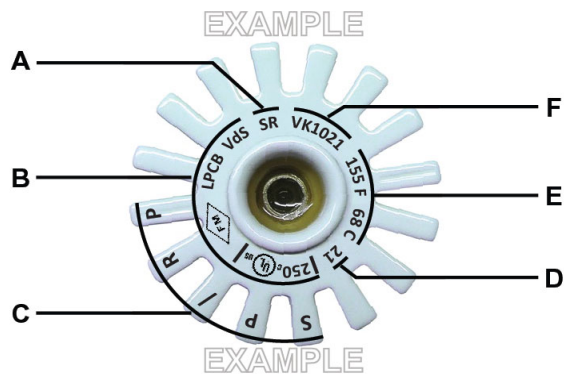


Figure – 1 Markings

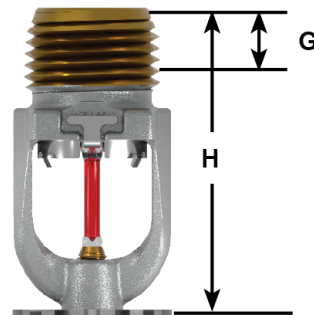


Figure – 2: Dimensions

Ref	Description	Value
A	Response type	QR: Quick Response
B	Listings and Approvals	See sections 3 and 5
C	Sprinkler type	SP/RP: Standard Pendent/Recessed Pendent
D	Manufacture date (year)	See marking
E	Nominal temperature rating	See marking
F	Manufacturers Sprinkler Identification Number (SIN)	VK3021
G	Nominal pipe engagement	7/16" (11 mm)
H	Height	1-15/16" (49 mm)

4.4 Materials of Construction

NOTICE: Do not disassemble the sprinkler.

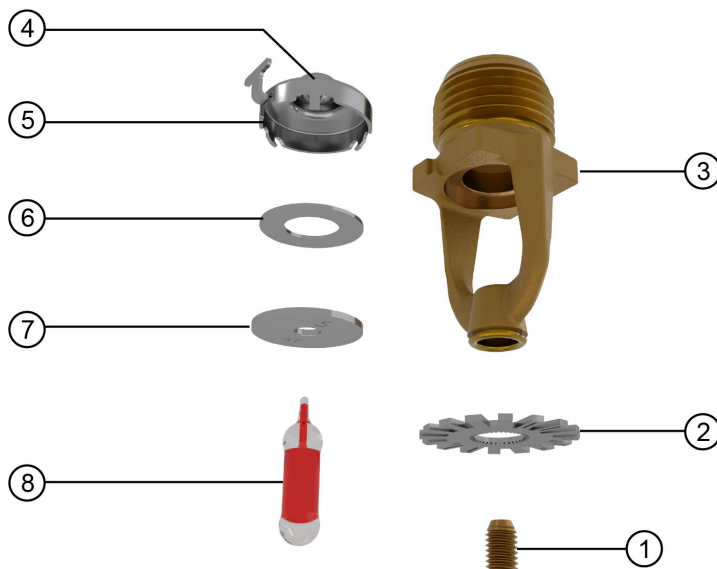


Figure – 3 Sprinkler Components

Ref	Description	Material
1	Compression screw	Brass CW612N, CW508L, UNS-C36000 or UNS-C26000
2	Deflector	Stainless steel UNS S30400
3	Sprinkler body	CW602N, UNS-C84400 or QM brass
4	Pip cap seal	Polytetrafluoroethylene (PTFE)
5	Pip cap shell	Stainless steel UNS-S44400
6	Belleville spring	Nickel alloy
7	Pip cap disc	Stainless steel UNS-S30100
8	Bulb	Glass, nominal 0.10" (3 mm) diameter


TECHNICAL DATA SHEET
**VK3021 Quick Response
Pendent Sprinkler K5.6 (80.6)**
5. LISTING AND APPROVAL DESIGN REQUIREMENTS
5.1 Listing and Approval Specifications

Sprinkler Base Part Number ¹	Thread Size		Approval Body				
	NPT	BSPT	cULus		FM		
			Approval Specification	Maximum working water pressure	Approval Specification	Maximum working water pressure	
23870	1/2"	—	A1, A2X, A3Y	250 psi (17 bar)	A1, B2X, B3Y	175 psi (12 bar)	
23882	—	15 mm	A1, A2X, A3Y	250 psi (17 bar)	A1, B2X, B3Y	175 psi (12 bar)	
Additional Listings and Approvals Maximum WWP 175 psi (12 bar)							
			CE	LPCB	VdS	UKCA	MED
23870	1/2"	—	A1, B2X, B3Y	A1, A2X, A3Y	A1	A1, A2X, A3Y	A1, A2X, A3Y
23882	—	15 mm	A1, B2X, B3Y	A1, A2X, A3Y	A1	A1, A2X, A3Y	A1, A2X, A3Y
Approval Specification (Temperature Ratings) Key:							
A = 135 °F (57 °C), 155 °F (68 °C), 175 °F (79 °C), 200 °F (93 °C) and 286 °F (141 °C)							
B = 135 °F (57 °C), 155 °F (68 °C), 175 °F (79 °C), and 200 °F (93 °C)							
Approval Specification (Finishes) Key:							
1 = Brass, Chrome, White Polyester ^{2,3} , Black Polyester ^{2,3} , and ENT ^{3,4}							
2 = Brass, Chrome, White Polyester ^{2,3} , and Black Polyester ^{2,3}							
3 = ENT ^{3,4}							
Approval Specification (Escutcheons) Key:							
X = Installed with Viking Recessed Escutcheons Models E-1, E-2, E-3, NP-1, NP-2, and NP-3, or Viking Standard Surface Mounted Escutcheons							
Y = Installed with Viking Recessed Escutcheons Models E-1 and NP-1, or Viking Standard Surface Mounted Escutcheons							
1 For complete part number, refer to Viking's current price list.							
2 For White Polyester and Black Polyester, other colors are available upon request and will carry the same Listings and Approvals as the standard colors.							
3 cULus Listed as corrosion resistant.							
4 FM Approved as corrosion resistant.							

5.2 cULus Listing Requirements and Details

The sprinkler is cULus Listed as indicated in Table 5.1 for installation in accordance with the latest edition of NFPA 13 for standard spray sprinklers. This sprinkler is designed for use in light and ordinary hazard occupancies.

5.3 FM Approval Requirements and Details

The sprinkler is FM Approved as quick response Non-Storage pendent sprinkler as indicated in the FM Approval Guide. The sprinkler is also approved for use in FM Approved vacuum dry sprinkler systems with a maximum supervisory vacuum pressure of -3 psi (-207 mbar). FM Global Loss Prevention Data Sheets contain guidelines relating to, but not limited to: minimum water supply requirements, hydraulic design, ceiling slope and obstructions, minimum and maximum allowable spacing, and deflector distance below the ceiling. For specific application and installation requirements, refer to the latest applicable FM Loss Prevention Data Sheets (including Data Sheet 2-0).



5.4 Additional Approval Requirements and Details

Refer to Table 5.1 for approved configurations allowed by each of the following approvals.

- CE CPR: Standard EN 12259-1:1999 +A3:2006; Declaration of Performance DOP_XT1A.
- LPCB: Standard EN 12259-1:1999 +A3:2006; Certificate Number 096m.
- VdS: Standard EN 12259-1:1999 +A3:2006; Certificate Number G 422006.
- UKCA: Standard EN12259-1:1999 +A3:2006; Declaration of Conformity UKCA DOC_S5048.
- MED: Standard EN 12259-1:1999 +A3:2006; Declaration of Conformity DOC_MED_XT1.

For specific application and installation requirements, refer to the latest applicable governmental codes, ordinances, and standards for the installation location.

5.5 Corrosion Resistant Coatings

The corrosion resistant coatings have passed the standard corrosion tests required by the approving agencies and are listed and approved as indicated in Table 5.1. These tests do not represent all possible corrosive environments. The Electro-less Nickel PTFE (ENT) finish passed the UL 199 thirty day corrosion test and is cULus listed and FM Approved as corrosion resistant. For automatic sprinklers, the ENT coating is applied to all exposed exterior surfaces, including the waterway.

Prior to installation, verify that the coatings are compatible with, or suitable for, the proposed environment. The ENT finish has not been evaluated for environments containing chlorine, such as indoor swimming pools. It is not recommended for these applications.

5.6 Sprinkler Guards and Water Shields

The sprinkler is approved for use with the Model XG Sprinkler Guard and the Model F-1 water shield. Refer to the Guards and Water Shields for XT1 Sprinklers technical data sheet for more information.

5.7 Escutcheons

The sprinkler is approved for use with various styles of Viking escutcheons. Specific installation dimensions apply that must be observed. Refer to the sprinkler's Handling and Installation instructions for more information.

5.8 Available Temperature Ratings

Viking sprinklers are available in several temperature ratings that relate to a specific temperature classification. Applicable installation rules mandate the use and limitations of each temperature classification. In selecting the appropriate temperature classification, the maximum expected ceiling temperature must be known. When there is doubt as to the maximum temperature at the sprinkler location, a maximum-reading thermometer should be used to determine the temperature under conditions that would show the highest readings to be expected. In addition, recognized installation rules may require a higher temperature classification, depending upon sprinkler location, occupancy classification, commodity classification, storage height, and other hazards. In all cases, the maximum expected ceiling temperature dictates the lowest allowable temperature classification. Sprinklers located immediately adjacent to a heat source may require a higher temperature rating.


TECHNICAL DATA SHEET
**VK3021 Quick Response
Pendent Sprinkler K5.6 (80.6)**
6. ORDERING PROCEDURE
6.1 Sprinkler

1. Choose a sprinkler base part number with the required thread size and listing or approval (refer to section 5):
2. Add the suffix for the desired finish.
3. Add the suffix for the desired temperature rating.

NOTE: For Polyester, insert the desired temperature rating suffix where the dash (-) is shown.

EXAMPLE: 23870MB/W = VK3021 with white polyester finish and 155 °F (68 °C) nominal temperature rating. This sprinkler is to be installed into an area with a maximum ambient temperature of 100 °F (38 °C).

1. Sprinkler Base Part Number		2. Finish		3. Temperature Rating			
See Section 5		Description	Suffix	Nominal Temperature Rating	Bulb Color	Maximum Ambient Ceiling Temperature	Suffix
23870	1/2" NPT	Brass	A	135 °F (57 °C)	Orange	100 °F (38 °C)	A
23882	15 mm BSPT	Chrome	F	155 °F (68 °C)	Red	100 °F (38 °C)	B
		White Polyester	M-/W	175 °F (79 °C)	Yellow	150 °F (65 °C)	D
		Black Polyester	M-/B	200 °F (93 °C)	Green	150 °F (65 °C)	E
		ENT	JN	286 °F (141 °C)	Blue	225 °F (107 °C)	G
				OPEN	—	—	Z

6.2 Sprinkler Accessories



Figure – 4: Sprinkler Accessories

Image Reference	Part Number	Description
1)	23559MB	Straight wrench: required for proper installation
2)	23560MB	Recessed socket wrench
3)	01724A	Sprinkler cabinet: holds up to 6 sprinklers
4)	01725A	Sprinkler cabinet: holds up to 12 sprinklers (not shown)
5)	06419A	Model E-1 Slip-on style recessed escutcheon
	07902	Model E-1 Slip-on style recessed escutcheon (stainless steel)
6)	11038	Model E-2 Threaded recessed escutcheon
7)	18347	Model E-3 Threaded recessed escutcheon (large diameter outer cup)
8)	01960A	Large standard flat surface mount escutcheon (steel)
	09488	Large standard flat surface mount escutcheon (stainless steel)
9)	02960A	Small standard flat surface mount escutcheon (steel)
	07526	Small standard flat surface mount escutcheon (stainless steel)
10)	01961B	Large standard raised surface mount escutcheon (brass)


TECHNICAL DATA SHEET
**VK3021 Quick Response
Pendent Sprinkler K5.6 (80.6)**
7. CONTACT

The sprinkler and accessories are available through Viking distributors only. Contact your local Viking sales office which can be found on our website:

Americas and Asia: www.vikinggroupinc.com/locations OR Europe, Middle East, Africa (EMEA): www.viking-emea.com/contact

Manufacturer:

The Viking Corporation
5150 Beltway SE
Caledonia, MI 49316
Tel.: (800) 968-9501
Fax: 269-818-1680
Technical Services: 1-877-384-5464
techsvcs@vikingcorp.com

Importer EU:

Viking S.A.
21, Z.I, Haneboesch
L-4562 Differdange / Niederkorn
Tel.: +352 58 37 37 – 1
Fax: +352 58 37 36
vikinglux@viking-emea.com

Asia Pacific (APAC) Main Office:

The Viking Corporation (Far East) Pte. Ltd.
69 Tuas View Square
Westlink Techpark, Singapore 637621
Tel: (+65) 6 278 4061
Fax: (+65) 6 278 4609
vikingAPAC@vikingcorp.com



Handling and Installation Instructions

Model XT-1 Pendent Sprinklers

bg	Инсталирайте и пуснете продукта в експлоатация само ако следната инструкция е ясно разбрана.	lv	Produkta iemontēšanu un ekspluatācijas sākšanu veikt tikai tad, ja dotā instrukcija ir pilnībā saprasta.
cs	Namontujte a spusťte do provozu produkt pouze tehdy, když jste jasně pochopili tento návod.	lt	Produktą montuokite ir pradėkite eksploatuoti tik tuomet, jei aiškiai suprantate šią instrukciją.
de	Du må kun montere og idriftsætte produktet, hvis du har forstået følgende vejledning til fulde.	mt	Installa u f'ad dem il-prodott biss jekk l-istruzzjonijiet li ġejjin jinftiehm b'mod ċar.
de	Produkt nur einbauen und in Betrieb nehmen, wenn die nachfolgende Anleitung klar verstanden wird.	nl	Product alleen installeren en in gebruik nemen, als de volgende instructies begrepen zijn.
el	Η εγκατάσταση και θέση σε λειτουργία του προϊόντος επιτρέπονται μόνο εάν οι ακόλουθες οδηγίες έχουν γίνει κατανοητές.	no	Ikke installer og ta i bruk produktet uten at følgende anvisninger er tydelig forstått.
en	Do not install and commission the product unless you have clearly understood the instructions below.	pl	Produkt należy montować i uruchamiać tylko wtedy, gdy poniższe instrukcje są w pełni zrozumiałe.
es	Instalar el producto y ponerlo en funcionamiento solo cuando se hayan comprendido claramente las siguientes instrucciones.	pt	Instalar e colocar o produto em funcionamento somente se as instruções a seguir forem claramente compreendidas.
et	Paigaldage toode ja kasutage seda ainult siis, kui saate alljärgnevast juhendist selgelt aru.	ro	Montați produsul și puneți-l în funcțiune numai dacă instrucțiunea următoare este înțeleasă clar.
fi	Tuotteen saa asentaa ja ottaa käyttöön vain, jos jäljempänä oleva ohje ymmärretään selvästi.	ru	Не устанавливайте и не принимайте оборудование в эксплуатацию, если вы четко не поняли инструкции ниже
fr	N'installer et ne mettre en service le produit que si les instructions suivantes ont été clairement comprises.	sk	Namontujte a spusťte do prevádzky výrobok iba vtedy, pokiaľ ste jasne pochopili tento návod.
ga	Ná déan an táirge a shuiteail agus a choimisiunu mura dtuigeann tu na teoracha thíos go soileir.	sl	Izdelek vgradite in zaženite samo, če ste dobro razumeli navodila v nadaljevanju.
hr	Ne instalirajte i ne puštajte proizvod u rad ako niste jasno razumjeli donje upute.	sr	Не инсталирајте и не пуштајте производ у рад ако нисте јасно разумели упутства у наставку.
hu	Csak akkor építse be a terméket és helyezze üzembe, ha a következő útmutatót egyértelműen megértette.	sv	Montera och driftsätt produkten endast om du förstår den efterföljande instruktionen.
is	Settu ekki upp eða taktu vöruna í notkun nema þú hafir skilið greinilega leiðbeiningarnar hér að neðan.	tr	Aşağıdaki talimatları açıkça anlamadan ürünü kurmayın ve devreye almayın.
it	Montare il prodotto e metterlo in funzione solo se si sono comprese appieno le seguenti istruzioni.		

1. PRODUCT IDENTIFICATION

This document covers the following products, hereafter referred to as “sprinkler”:

- VK1021 Standard Response Pendent Sprinkler K5.6 (80.6)
- VK2021 Standard Response Pendent Sprinkler K8.0 (115)
- VK2022 Standard Response Pendent Sprinkler K8.0 (115)
- VK3021 Quick Response Pendent Sprinkler K5.6 (80.6)
- VK3521 Quick Response Pendent Sprinkler K8.0 (115)
- VK3522 Quick Response Pendent Sprinkler K8.0 (115)

2. OTHER APPLICABLE DOCUMENTS

For intended use and relevant conditions for the safe use of the specific sprinkler refer to the appropriate *Technical Data Sheet*.



Handling and Installation Instructions

Model XT-1 Pendent Sprinklers

3. TRANSPORT AND HANDLING

WARNING

A damaged or compromised sprinkler poses the risk of fatal consequences.

Damaged or compromised sprinklers will not operate properly which could lead to loss of life.

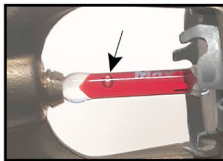
- NEVER use a sprinkler that has been exposed to temperatures exceeding the maximum allowed ambient temperature.
- NEVER use a sprinkler with a loss of liquid from the glass bulb or damage to the fusible element. A small bubble should be visible within the glass bulb; rotate the sprinkler to a horizontal position while observing the bulb to see the bubble.
- NEVER use a sprinkler that has been dropped or damaged.
- ALWAYS Protect the sprinkler from mechanical damage during storage, transport, and handling.
- NEVER use sprinklers that have been painted by anyone other than the manufacturer.
- ALWAYS protect sprinklers from being painted during installation or replacement in accordance with the installation standards.
- NEVER clean sprinklers with anything other than 7 psi or lower compressed air.
- NEVER apply soap, water, ammonia, adhesives, solvents or any other fluids on sprinklers.
- Destroy every damaged or compromised sprinkler.

NOTICE

Protect sprinklers during transport and handling.

- ALWAYS handle the sprinkler with care.
- ALWAYS keep the protective cap on the sprinkler during transport and handling.
- NEVER remove the protective cap until the fire sprinkler system is placed in service and the potential for mechanical damage no longer exists.
- ALWAYS protect the sprinkler from direct sunlight during transport and handling.
- ALWAYS store sprinkler in a cool, dry, protected area.
- ALWAYS use original manufacturer's shipping containers.
- NEVER store a sprinkler loose in a box, bin, bucket, or other type of container.
- ALWAYS keep the sprinkler separated from other sprinklers.
- NEVER allow metal parts to contact the sprinkler operating elements.

NOTE: If the glass bulb included on the sprinkler has been exposed to ultraviolet light, the color inside the bulb may fade. This color change does not affect the operation of the sprinkler.



CORRECT
(Bulb intact, bubble visible)



CORRECT
(Protective caps in place)



CORRECT
Container



INCORRECT
(bulb cracked, fluid missing)



INCORRECT
(Protective caps not in place)



INCORRECT
(Stored loose in a box)

4. INSTALLATION

⚠ WARNING

Installation by insufficiently qualified personnel poses the risk of fatal consequences.

- This sprinkler must be installed properly by qualified personnel familiar with safe practices and applicable and recognized design and installation standards issued, for example, by NFPA, FM, VdS, or LPCB, and trained how to properly perform the installation procedures.

⚠ WARNING

Incorrect recessed installation poses the risk of fatal consequences.

- For recessed applications, this sprinkler must be installed according to the dimensions shown in Figure 1.

⚠ CAUTION

Cutting Hazard.

Sprinklers, accessories, cabinets, and packaging can have sharp edges that can cause cuts.

- Wear appropriate personal protective equipment (gloves) while handling product.

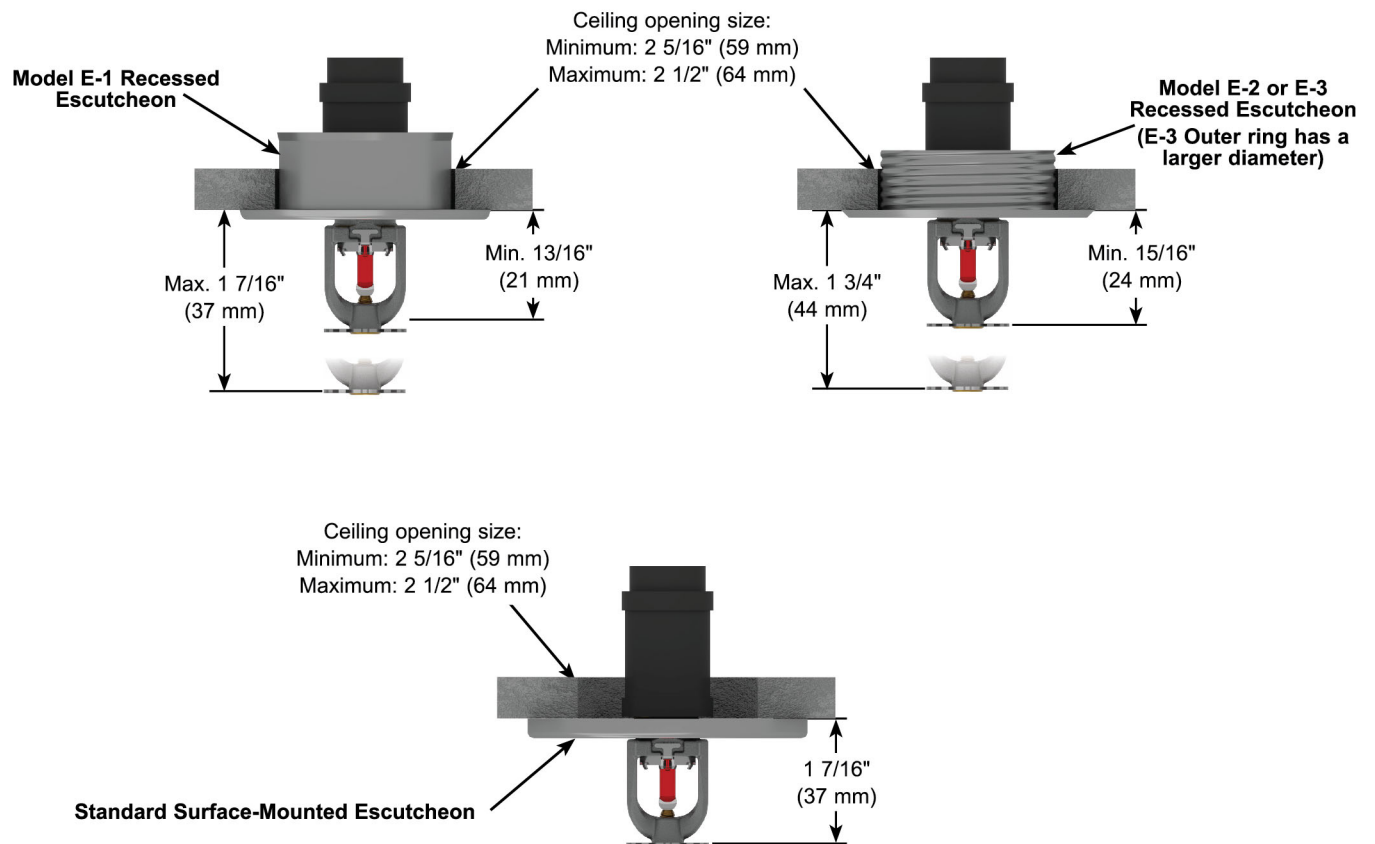


Figure – 1 Installation Dimensions with Viking Escutcheons

Optional Guards, Shields, and Escutcheons: If the sprinkler shall be installed together with a guard, shield, or escutcheon refer to the applicable documents for the products used.

1. Install all required piping in the intended installation location.
2. Verify that the sprinkler model/style, K-factor, temperature rating, and response characteristics are appropriate for the intended installation location. See Table 1 and Figure 5.
3. Inspect the sprinkler for damage. Destroy every damaged or compromised sprinkler.
The following are examples in which sprinklers are considered damaged or compromised. Replace the sprinkler in the following cases:
 - Sprinkler with a loss of fluid from the glass bulb or damage to the fusible element.
 - Sprinklers that have been field painted, caulked, or mechanically damaged.
 - Sprinklers showing signs of corrosion.
4. Verify that the sprinkler is protected with the protective cap or clip.
5. Apply a small amount of pipe-joint compound or tape to the external threads of the sprinkler only. Do not allow a build-up of compound inside the sprinkler inlet (Figure 2).

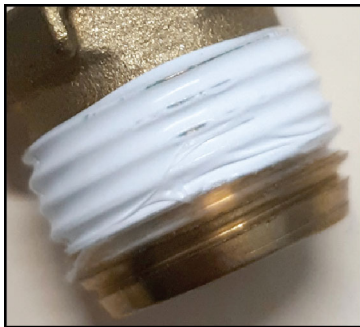


Figure – 2

6. If applicable, Install the escutcheon on the sprinkler threads.
7. **NOTICE: Do not use the deflector to start threading the sprinkler into a fitting. Use ONLY the approved wrench to install the sprinkler. Refer to the sprinkler's *Technical Data Sheet*.**
 - a) **For recessed sprinkler wrench (Figure 3a):** Carefully slide the wrench sideways around the protective cap and push upwards to engage with the sprinkler wrench flats.
 - b) **For the standard sprinkler wrench (Figure 3b):** Carefully slide the wrench onto the sprinkler wrench flats.

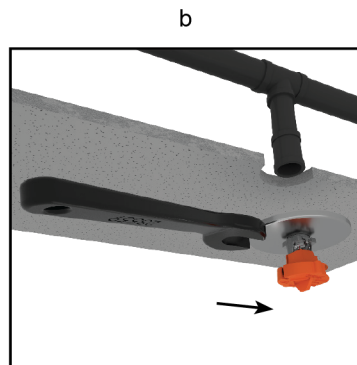
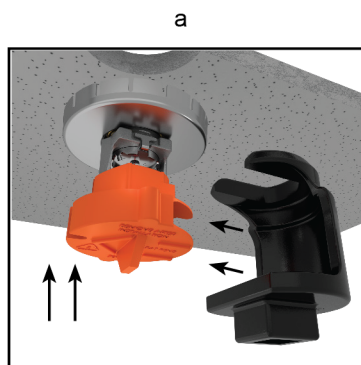


Figure – 3



Handling and Installation Instructions

Model XT-1 Pendent Sprinklers

8. **NOTICE: Over-tightening the sprinkler can cause permanent damage. For 1/2" NPT (or 15 mm BSPT) sprinkler, tighten up to a maximum torque of 14 ft-lbs (19 Nm). For 3/4" NPT (or 20 mm BSPT) sprinkler, tighten up to a maximum of 20 ft-lbs (27,1 Nm).**
Tighten the sprinkler as necessary (Figure 4a and 4b). If applicable, install a sprinkler guard and water shield.

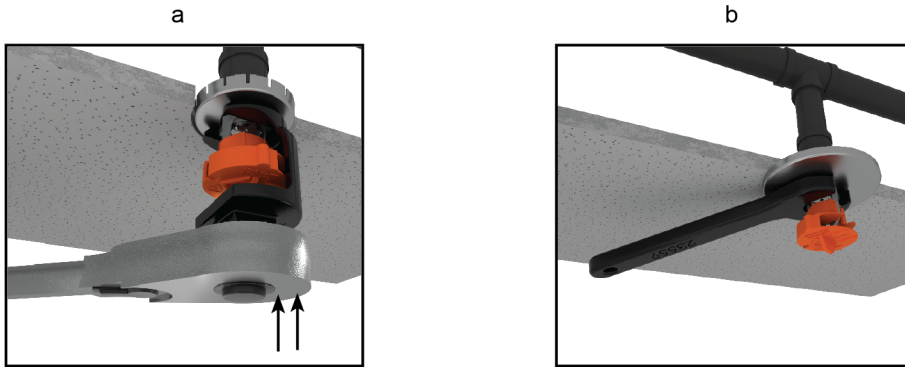


Figure – 4

9. **NOTICE: Sprinkler protective caps/clips must be removed from the sprinkler before placing the system in service. Test the entire sprinkler system.**
Refer to the applicable system documentation, regulations, and standards to ensure compliance.

Table 1: Sprinkler Markings		
Ref	Parameter	
A	Response type	<p>EXAMPLE</p> <p>EXAMPLE</p> <p>Figure – 5</p>
B	Listings and approvals	
C	Sprinkler type	
D	Manufacture date	
E	Nominal temperature rating	
F	Manufacturer's Sprinkler Identification Number (SIN)	



Handling and Installation Instructions

Model XT-1 Pendent Sprinklers

5. CONTACT

The sprinkler and accessories are available through Viking distributors only. Contact your local Viking sales office which can be found on our website:

Americas and Asia: www.vikinggroupinc.com/locations OR Europe, Middle East, Africa (EMEA): www.viking-emea.com/contact

Manufacturer:

The Viking Corporation
5150 Beltway SE
Caledonia, MI 49316
Tel.: (800) 968-9501
Fax: 269-818-1680
Technical Services: 1-877-384-5464
techsvcs@vikingcorp.com

Importer EU:

Viking S.A.
21, Z.I, Haneboesch
L-4562 Differdange / Niederkorn
Tel.: +352 58 37 37 – 1
Fax: +352 58 37 36
vikinglux@viking-emea.com

Asia Pacific (APAC) Main Office:

The Viking Corporation (Far East) Pte. Ltd.
69 Tuas View Square
Westlink Techpark, Singapore 637621
Tel: (+65) 6 278 4061
Fax: (+65) 6 278 4609
vikingAPAC@vikingcorp.com



1. PRODUCT IDENTIFICATION

This document covers the following product, hereafter referred to as “sprinkler” (SR=Standard Response, QR=Quick Response):

- VK1001 SR Upright Sprinkler K5.6 (80.6)
- VK2001 SR Upright Sprinkler K8.0 (115)
- VK2002 SR Upright Sprinkler K8.0 (115)
- VK3001 QR Upright Sprinkler K5.6 (80.6)
- VK3501 QR Upright Sprinkler K8.0 (115)
- VK3502 QR Upright Sprinkler K8.0 (115)
- VK1021 SR Pendent Sprinkler K5.6 (80.6)
- VK2021 SR Pendent Sprinkler K8.0 (115)
- VK2022 SR Pendent Sprinkler K8.0 (115)
- VK3021 QR Pendent Sprinkler K5.6 (80.6)
- VK3521 QR Pendent Sprinkler K8.0 (115)
- VK3522 QR Pendent Sprinkler K8.0 (115)
- VK1181 SR Conventional Sprinkler K5.6 (80.6)
- VK1201 SR Conventional Sprinkler K8.0 (115)
- VK1202 SR Conventional Sprinkler K8.0 (115)
- VK3101 QR Conventional Sprinkler K5.6 (80.6)
- VK3541 QR Conventional Sprinkler K8.0 (115)
- VK3542 QR Conventional Sprinkler K8.0 (115)

WARNING

Cancer and Reproductive Harm www.P65Warning.ca.gov

2. OTHER APPLICABLE DOCUMENTS

For intended use and relevant conditions for the safe use of the specific sprinkler, refer to the appropriate Technical Data Sheet. In case an installed sprinkler needs to be replaced, refer to the appropriate Handling and Installation Instructions for the installation of the new sprinkler.

3. MAINTAINING OPERATIONAL READINESS

Functionality

During fire conditions, the operating element fuses or shatters (depending on the type of sprinkler), releasing the pip cap and sealing assembly. Water flowing through the sprinkler orifice strikes the sprinkler deflector, forming a uniform spray pattern to control or extinguish the fire.

WARNING

This section contains important safety information. Read and follow all information.

Damaged or Compromised Sprinklers

Damaged or compromised sprinklers will not operate properly which could lead to loss of life.

- NEVER clean, paint, or caulk sprinklers.
- NEVER apply soap, water, ammonia, adhesives, solvents or any other fluids on sprinklers.
- NEVER expose sprinklers to temperatures exceeding the maximum allowed ambient ceiling temperature. See the Technical Data Sheet.
- ALWAYS replace a compromised or damaged sprinkler.
- NEVER attempt to repair or reassemble a sprinkler.
- ALWAYS replace operated sprinklers and cover assemblies and sprinklers exposed to corrosive products of combustion.
- Replacement of sprinklers must only be performed following the instructions in section 4.

The following are examples in which sprinklers are considered damaged or compromised. Replace the sprinkler in the following cases:

- Sprinkler with a loss of fluid from the glass bulb or damage to the fusible element.
- Sprinklers or cover plate assemblies that have been field painted, caulked, or mechanically damaged.
- Sprinklers showing signs of extraordinary corrosion.



Obstructions and obstacles

Obstructions and obstacles may compromise sprinkler discharge patterns which are critical for proper fire protection.

- NEVER attach items to sprinklers or hang items from the ceiling in an area protected with sprinklers.
- NEVER install walls in areas protected with sprinklers without having a specialized company verifying the design of the sprinkler system.
- ALWAYS remove obstructions and obstacles to sprinkler spray patterns.

Sprinkler systems that have been subjected to a fire

Sprinkler systems that have been subjected to a fire must be returned to service as soon as possible.

- After an event of fire, the entire sprinkler system must be inspected for damage and repaired as necessary.
- Refer to the minimum requirements of the Authority Having Jurisdiction for replacement of sprinklers.
- Consider the employment of a fire patrol as long as the sprinkler system is out of service.

Inspections and testing

The owner is responsible for having the sprinklers inspected and tested according to standards of the applicable approval body and to the requirements of the Authority Having Jurisdiction to maintain proper operating condition of the system.

- Sprinklers must be inspected on a regular basis for corrosion, mechanical damage, obstructions, paint, etc. Frequency of inspections may vary due to corrosive atmospheres, water supplies, and activity around the sprinkler.

The applicable approval body or Authority Having Jurisdiction may require sprinklers to be replaced after a specified term of service.

- Refer to the standards of the applicable approval body, such as NFPA, FM, VdS, or LPCB, and the requirements of the Authority Having Jurisdiction for detailed inspection, testing and replacements requirements.

Sprinklers removed from the system for testing or for any other purpose must be replaced according to section 4.

4. REMOVAL AND REPLACEMENT

WARNING

Removal and replacement of sprinklers by insufficiently qualified personnel poses the risk of fatal consequences in case of fire.

- Removal or replacement of sprinklers must be performed by qualified personnel familiar with safe practices and applicable and recognized design and installation standards issued, for example, by NFPA, FM, VdS, or LPCB, and trained how to properly perform the installation procedures.

WARNING

Removal and replacement of sprinklers will temporarily eliminate the fire protection capabilities of the sprinkler system.

- Consider the employment of a fire patrol in the affected area.
- Prior to proceeding, notify all Authorities Having Jurisdiction.


⚠ WARNING

Re-installation of a removed sprinkler may compromise the operational safety of the sprinkler system.

- NEVER reinstall a removed sprinkler.
 - ALWAYS use new sprinklers for replacement.
1. Select new sprinklers with identical performance characteristics as well as respective accessories such as escutcheons, cover plates, and protective caps. A stocked spare sprinkler cabinet may be provided for this purpose on site.
 2. According to appropriate system description and/or valve instructions, remove the system from service, drain all water, and relieve all pressure on the piping.
 3. Only for flush and concealed style sprinklers: Remove the ceiling ring or cover plate assembly of the old sprinkler by gently unthreading or pulling it off the sprinkler body (depends on the sprinkler model used).
 4. Use the proper sprinkler wrench for the old sprinkler according to its Technical Data Sheet.
 5. Only for flush and concealed style sprinklers, but not for domed concealed sprinklers: Replace the plastic protective cap over the old sprinkler and fit the wrench over the cap.
 6. Use the wrench to remove the old sprinkler by turning it counterclockwise to unthread it from the piping.
 7. Install the new sprinkler by following its Handling and Installation Instructions.
 8. Place the system back in service and secure all valves.
 9. Check for and repair all leaks.

5. DISPOSAL

At end of use the product described here should be disposed of via the national recycling system.

6. CONTACT

The sprinkler and accessories are available through Viking distributors only. Contact your local Viking sales office which can be found on our website:

Americas and Asia: www.vikinggroupinc.com/locations OR Europe, Middle East, Africa (EMEA): www.viking-emea.com/contact

Manufacturer:

The Viking Corporation
5150 Beltway SE
Caledonia, MI 49316
Tel.: (800) 968-9501
Fax: 269-818-1680
Technical Services: 1-877-384-5464
techsvcs@vikingcorp.com

Importer EU:

Viking S.A.
21, Z.I, Haneboesch
L-4562 Differdange / Niederkorn
Tel.: +352 58 37 37 – 1
Fax: +352 58 37 36
vikinglux@viking-emea.com

Asia Pacific (APAC) Main Office:

The Viking Corporation (Far East) Pte. Ltd.
69 Tuas View Square
Westlink Techpark, Singapore 637621
Tel: (+65) 6 278 4061
Fax: (+65) 6 278 4609
vikingAPAC@vikingcorp.com



Submittal Data CPVC Pipe and Fittings

Listings:

- Light hazard occupancies as defined in the standard for “Installation of Sprinkler Systems”, NFPA 13.
- Residential occupancies as defined in the standard for “Installation of Sprinkler Systems in Residential Occupancies up to and Including Four Stories in Height”, NFPA 13R.
- Residential occupancies as defined in the standard for “Installation of Sprinkler Systems in One and Two Family Dwellings and Manufactured Homes”, NFPA 13D. - Underground fire service systems as described in the “Installation of Sprinkler
- Systems”, NFPA 13 2007 Edition, and where appropriate the “Standard for Installation of Private Service Mains & Their Appurtenances”, NFPA 24
- Local Authorities having jurisdiction and any applicable referenced
- codes and standards.

Approvals:

UL, FM, CUL, NSF, Dade County, LPCB, MEA, and the City of Los Angeles.

Material Specifications:

Pipe: ASTM F442, SDR 13.5

Fittings: ASTM F438, (Sch. 40) and ASTM F439 (Sch. 80)

Maximum Working Pressure of 175 PSI



Straight Elbow



Reducing Elbow



Straight Tee



Reducing Tee



Cross



Reducing Cross



45 Elbow



Coupling



Sprinkler Adapter
w/ Brass Insert



Slip-Thread Adapter



Sprinkler Head Adapter 90° Ell



Sprinkler Head Adapter Tee



Back-to-Back Tee



Grooved Coupling Adapter



Reducer Bushing



Cap

CPVC Pipe Submittal Data for Fire Sprinkler Systems

All material used in the installation of the sprinkler system conforms to:

NFPA 13

NFPA 13R

NFPA 13D

- All CPVC piping should be pressure tested at 200 PSI for 2 hours.
- Chemical compatibility should be checked per manufacturer.
- Glycerin antifreeze solutions are acceptable and installation of antifreeze systems should comply with NFPA Section 7.6.2 of NFPA 13 (2007 Edition).

BlazeMaster® Pipe Dimensions and Weights SDR 13.5 (ASTM F 442)									
Nominal Size		Average OD		Average ID		Pounds Per Foot	Kilograms Per Meter	Pounds Per Foot	Kilograms Per Meter
Inches	mm	Inches	mm	Inches	mm	Empty	Empty	H ₂ O Filled	H ₂ O Filled
3/4	20.0	1.050	26.7	.874	22.2	0.168	0.250	0.428	0.637
1	25.0	1.315	33.4	1.101	28.0	0.262	0.390	0.675	1.005
1 1/4	32.0	1.660	42.2	1.394	35.4	0.418	0.622	1.079	1.606
1 1/2	40.0	1.900	48.3	1.598	40.6	0.548	0.816	1.417	2.109
2	50.0	2.375	60.3	2.003	50.9	0.859	1.278	2.224	3.310
2 1/2	65.0	2.875	73.0	2.423	61.5	1.257	1.871	3.255	4.844
3	80.0	3.500	88.9	2.950	75.0	1.867	2.778	4.829	7.186

Note: The above average OD and average ID information is per ASTM F442. Check with individual manufacturers for actual OD and ID information.

Allowance for Friction Loss in Fittings (Equivalent Feet of Pipe)								
Fitting Size (In.)	3/4"	1"	1 1/4"	1 1/2"	2"	2 1/2"	3"	
Tee Branch	3	5	6	8	10	12	15	
Elbow 90° *	4	5	6	7	9	12	13	
Elbow 45°	1	1	2	2	2	3	4	
Coupling	1	1	1	1	1	2	2	
Tee Run	1	1	1	1	1	2	2	



TECHNICAL DATA

EASYPAC COMMERCIAL RISER MANIFOLD ASSEMBLIES 1-1/4" - 8" (DN32 - DN200)

The Viking Corporation, 210 N Industrial Park Drive, Hastings MI 49058

Telephone: 269-945-9501 Technical Services: 877-384-5464 Fax: 269-818-1680 Email: techsvcs@vikingcorp.com

1. DESCRIPTION

Viking EasyPac Commercial Riser Manifold Assemblies are available in sizes 1-1/4", 1-1/2", 2", 2-1/2", 3", 4", 6" and 8" for commercial systems. They are available with an AGF TESTanDRAIN valve, and/or pressure relief valve (PRV) to meet NFPA 13 requirements for gridded systems and any system requiring a pressure relief valve. This configuration eliminates the need to drain the system before installing the relief valve, while a built in test port allows hydrostatic testing without draining the system.

EasyPac Commercial Assemblies are designed with all required equipment and standard components that can be replaced in the field, including pressure gauges, Potter flow switches, 3-way gauge control valve and appropriate drain valve. All assemblies are available in grooved inlet and outlet connections 1-1/4"-8" using Schedule 10 steel pipe. The 1-1/4" to 2" assemblies are also available with male NPT threaded inlets and outlets, or threaded inlets x grooved outlets using Schedule 40 steel pipe.

2. LISTINGS AND APPROVALS

Pressure Gauges: UL Listed, FM Approved

Waterflow Alarm Switch: UL Listed - Category USQT, cUL Listed, FM Approved - Waterflow Detectors, Vane Type, CSFM Listed

Ball Valve: UL Listed, FM Approved

AGF TestanDrain Model 1000: UL Listed - Category VEHZ, FM Approved - Sprinkler System Alarm Testers

AGF TestanDrain Model 1011 with Pressure Relief Valve: UL Listed - Category VEHZ, FM Approved - Sprinkler System Alarm Testers



WARNING: Cancer and Reproductive Harm-
www.P65Warnings.ca.gov

3. TECHNICAL DATA

Specifications and Material Standards:

Available since 2007.

- Pressure Rating: 250 PSI (17.2 bar) maximum water working pressure.
- Fabricated steel pipe.
- Available in grooved inlet and outlet connections 1-1/4" to 8" using Schedule 10 steel pipe.
- 1-1/4", 1-1/2", and 2" assemblies are also available with male NPT threaded inlet and outlet, or threaded inlet x grooved outlet using Schedule 40 steel pipe.
- Riser bodies coated with black Ecoat.
- Flow Switch: Two single-pole double-throw switches with Form C contacts rated at 15 Amps 125/250 V. AC, 2.5 Amp 0-30 V. DC. Each switch can be wired for open or closed circuit operation. See Figure 1.

Ordering Information:

(Also refer to the current Viking price list.)

There are three different options are available for the commercial line:

Commercial EasyPac Assemblies with Ball Valve (See figure 2)

Commercial EasyPac Assemblies with TESTanDRAIN Valve (See figure 3)

Commercial EasyPac Assemblies with TESTanDRAIN and Pressure Relief Valve (PRV) (See figure 4)

See Table 1 for Part Numbers.

Viking Technical Data may be found on
The Viking Corporation's Web site at
<http://www.vikinggroupinc.com>.
The Web site may include a more recent
edition of this Technical Data Page.

4. INSTALLATION

Refer to appropriate NFPA Installation Standards.

Note: EasyPac Commercial Riser Manifold Assemblies can be installed horizontally with flow switch on top, or vertically with flow upward.

Viking EasyPac Riser Assemblies use Potter VSR flow switches. The literature that accompanies the VSR states that the switch should not be installed within 6" of a change of direction of pipe or within 24" of a valve. This is merely a recommendation to reduce the possibility of the switch not operating while minimal waterflow is occurring. This is a recommendation only, not a requirement.

5. OPERATING INSTRUCTIONS

1. To Test: Turn valve handle counterclockwise from "Off" to "Test". The handle will stop automatically. After test is completed, return handle to "Off".
2. To Drain: Turn handle counterclockwise from "Off" to "Test". The handle will stop automatically. Depress "Push" button and turn handle to "Drain". When system is empty, return handle clockwise to "Off" position.

6. INSPECTIONS, TESTS AND MAINTENANCE

Refer to NFPA 25 for Inspection, Testing and Maintenance requirements.



TECHNICAL DATA

EASYPAC COMMERCIAL RISER MANIFOLD ASSEMBLIES 1-1/4" - 8" (DN32 - DN200)

The Viking Corporation, 210 N Industrial Park Drive, Hastings MI 49058

Telephone: 269-945-9501 Technical Services: 877-384-5464 Fax: 269-818-1680 Email: techsvcs@vikingcorp.com

Table 1 - Commercial EasyPac Assemblies

Pipe Size	Inlet / Outlet Connections	Option	Pipe Size	Viking Part Number
1-1/4"	Thread / Thread	Ball Valve	Schedule 40	15248
		TESTanDRAIN		14871
		TESTanDRAIN and PRV		14873
	Groove / Groove	Ball Valve	Schedule 10	15249
		TESTanDRAIN		14872
		TESTanDRAIN and PRV		14874
	Thread / Groove	Ball Valve	Schedule 40	15250
		TESTanDRAIN		15251
		TESTanDRAIN and PRV		15252
1-1/2"	Thread / Thread	Ball Valve	Schedule 40	15253
		TESTanDRAIN		14875
		TESTanDRAIN and PRV		14877
	Groove / Groove	Ball Valve	Schedule 10	15254
		TESTanDRAIN		14876
		TESTanDRAIN and PRV		14878
	Thread / Groove	Ball Valve	Schedule 40	15255
		TESTanDRAIN		15256
		TESTanDRAIN and PRV		15257
2"	Thread / Thread	Ball Valve	Schedule 40	14899
		TESTanDRAIN		14935
		TESTanDRAIN and PRV		14947
	Groove / Groove	Ball Valve	Schedule 10	14848
		TESTanDRAIN		14850
		TESTanDRAIN and PRV		14851
	Thread / Groove	Ball Valve	Schedule 40	15258
		TESTanDRAIN		15259
		TESTanDRAIN and PRV		15260
2-1/2"	Groove / Groove	Ball Valve	Schedule 10	14852
		TESTanDRAIN		14853
		TESTanDRAIN and PRV		14854
		TESTanDRAIN and PRV		14855
3"	Groove / Groove	Ball Valve	Schedule 10	14856
		TESTanDRAIN		14857
		TESTanDRAIN and PRV		14857
4"	Groove / Groove	Ball Valve	Schedule 10	14858
		TESTanDRAIN		14859
		TESTanDRAIN and PRV		14860
6"	Groove / Groove	Ball Valve	Schedule 10	14861
		TESTanDRAIN		14862
		TESTanDRAIN and PRV		14863
8"	Groove / Groove	Ball Valve	Schedule 10	15264
		TESTanDRAIN		15265
		TESTanDRAIN and PRV		15266

TESTanDRAIN Option:

Includes a test orifice with size specified from 3/8" (K2.8) to 25K ESFR*, depending on the smallest sprinkler installed on the system. Must add suffix to the part number for the desired orifice size.

Orifice Suffix:

- A = 3/8" (K 2.8)
- B = 7/16" (K 4.2)
- C = 1/2" (K 5.6)
- D = 17/32" (K 8.0)
- E = K 11.2 ELO
- F = K14 ESFR
- G = K25 ESFR

TESTanDRAIN with PRV Option:

Includes test orifice and pressure relief valve. The test orifice must be specified based on the smallest sprinkler installed on the system for 3/8" (K2.8) to K25 ESFR*. The pressure relief valve is not factory assembled to the TestanDrain. Must add suffix to the part number for the desired orifice size and pressure setting of the pressure relief valve.

Orifice Suffix:

- A = 3/8" (K 2.8)
- B = 7/16" (K 4.2)
- C = 1/2" (K 5.6)
- D = 17/32" (K 8.0)
- E = K 11.2 ELO
- F = K14 ESFR
- G = K25 ESFR

PRV Suffix:

- 175
- 185
- 195
- 205
- 225
- 250

TO BE USED

NOTE: It is important to note that the pressure rating of the relief valve indicates an operating range of pressure for both opening and closing of the valve. Standard relief valves are required to OPEN in a range of pressure between 90% and 105% of their rating. The valves are required to CLOSE at a pressure above 80% of that rating.

* ESFR TESTanDRAIN not available in 1-1/4", 1-1/2" or 2" Risers.

Table 2 - Pipe Diameters

	1-1/4"	1-1/2"	2"	2-1/2"	3"	4"	6"	8"
Pipe OD	1.660" (42 mm)	1.900" (48 mm)	2.375" (60 mm)	2.875" (73 mm)	3.5" (89 mm)	4.5" (114 mm)	6.625" (168 mm)	8.625" (219 mm)
Schedule 10 Pipe ID	1.45" (36.6 mm)	1.69" (42.7 mm)	2.16" (54.8 mm)	2.64" (66.9 mm)	3.26" (82.8 mm)	4.26" (108.2 mm)	6.36" (161.5 mm)	8.249" (209.5 mm)
Schedule 40 Pipe ID	1.38" (35.1 mm)	1.61" (40.9 mm)	2.07" (52.5 mm)	N/A	N/A	N/A	N/A	N/A



TECHNICAL DATA

**EASYPAC COMMERCIAL
RISER MANIFOLD
ASSEMBLIES**

1-1/4" - 8" (DN32 - DN200)

The Viking Corporation, 210 N Industrial Park Drive, Hastings MI 49058

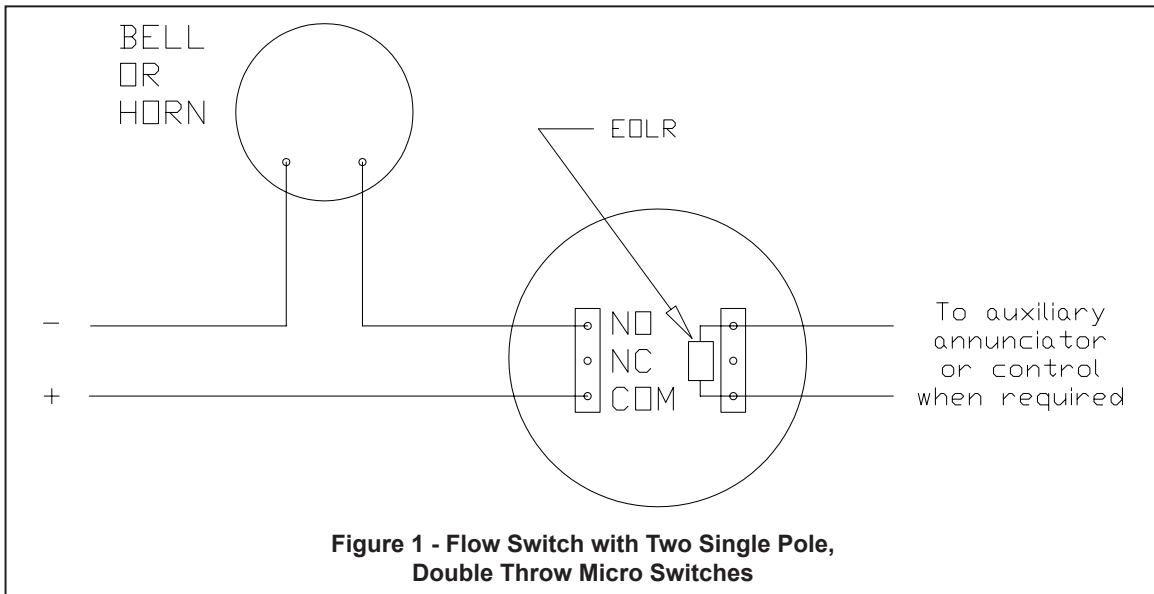
Telephone: 269-945-9501 Technical Services: 877-384-5464 Fax: 269-818-1680 Email: techsvcs@vikingcorp.com

7. AVAILABILITY

The Viking EasyPac Riser Assemblies are available through a network of domestic and international distributors. See The Viking Corporation web site for the closest distributor or contact The Viking Corporation.

8. GUARANTEE

For details of warranty, refer to Viking's current list price schedule or contact Viking directly.



**Figure 1 - Flow Switch with Two Single Pole,
Double Throw Micro Switches**



TECHNICAL DATA

EASYPAC COMMERCIAL RISER MANIFOLD ASSEMBLIES 1-1/4" - 8" (DN32 - DN200)

The Viking Corporation, 210 N Industrial Park Drive, Hastings MI 49058

Telephone: 269-945-9501 Technical Services: 877-384-5464 Fax: 269-818-1680 Email: techsvcs@vikingcorp.com

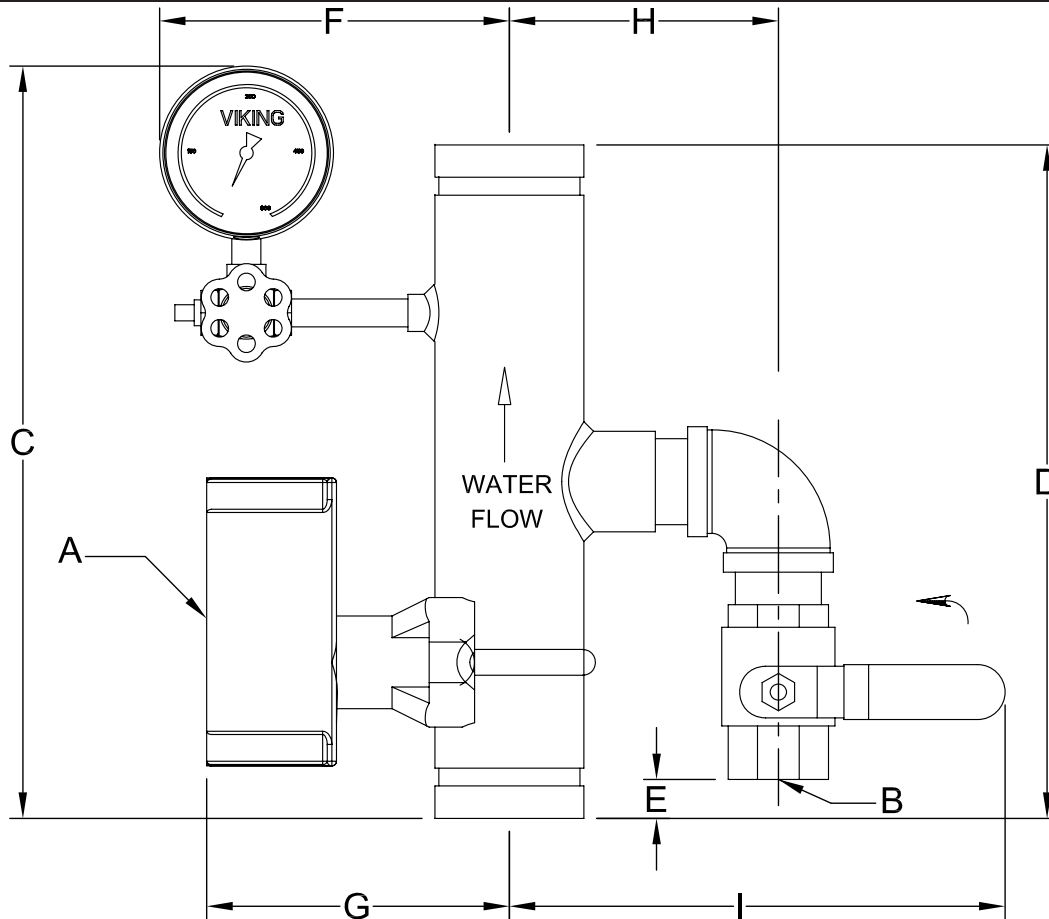


Figure 2 - Basic Commercial EasyPac

Size	A	B	C	D	E	F	G	H	I
1-1/4" (DN32)	VSR-S Flow Switch	1" NPT	16-1/2" (419)	15" (381)	1-1/2" (38)	6-3/32" (155)	6-11/32" (161)	4-3/16" (107)	8-9/16" (218)
1-1/2" (DN40)	VSR-S Flow Switch	1" NPT	16-1/2" (419)	15" (381)	1-1/2" (38)	7-19/32" (193)	6-15/16" (164)	5-11/16" (144)	10-1/16" (256)
2" (DN50)	VSR Flow Switch	1" NPT	14-1/2" (369)	13" (330)	-15/32" (12)*	6-7/16" (164)	5-51/64" (148")	4-9/16" (116)	8-59/64" (227)
2-1/2" (DN65)	VSR Flow Switch	1-1/4" NPT	14-1/2" (369)	13" (330)	5/8" (16)	6-11/16" (170)	6-3/64" (154)	5-1/4" (133)	9-39/64" (244)
3" (DN80)	VSR Flow Switch	1-1/4" NPT	14-1/2" (369)	13" (330)	5/8" (16)	7" (178)	6-23/64" (162)	5-9/16" (141)	9-59/64" (252)
4" (DN100)	VSR Flow Switch	2" NPT	14-1/2" (369)	13" (330)	-1-3/4" (-44)*	7-1/2" (191)	6-25/32" (173)	7-3/4" (197)	13-5/16" (338)
6" (DN150)	VSR Flow Switch	2" NPT	14-1/2" (369)	13" (330)	-1-3/4" (-44)*	8-35/64" (217)	7-53/64" (199)	8-51/64" (223)	14-23/64" (365)
8" (DN200)	VSR Flow Switch	2" NPT	14-3/4" (375)	13" (330)	-1-3/4" (-44)*	9-1/2" (243)	8-3/4" (225)	9-3/4" (249)	15-1/2" (391)

* Dimension E is negative because the ball valve extends below the end of the manifold body.



TECHNICAL DATA

EASYPAC COMMERCIAL RISER MANIFOLD ASSEMBLIES

1-1/4" - 8" (DN32 - DN200)

The Viking Corporation, 210 N Industrial Park Drive, Hastings MI 49058

Telephone: 269-945-9501 Technical Services: 877-384-5464 Fax: 269-818-1680 Email: techsvcs@vikingcorp.com

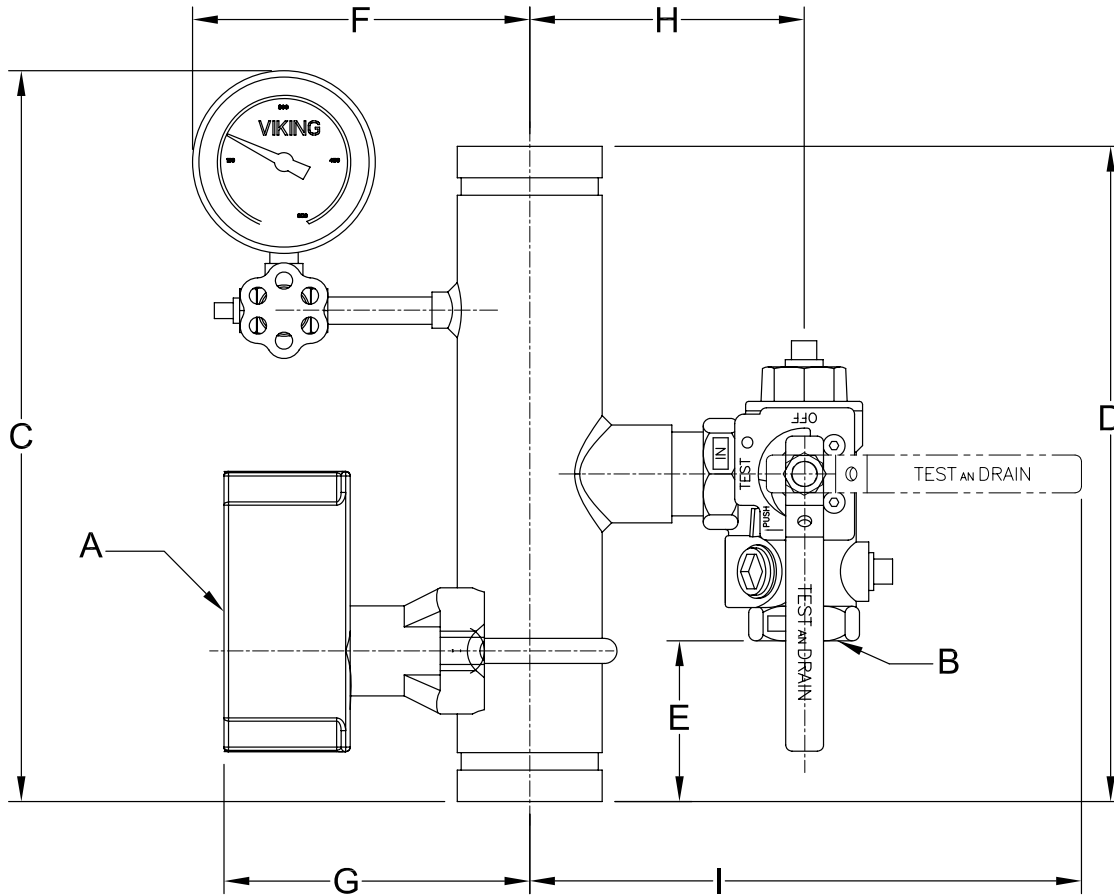


Figure 3 - Commercial EasyPac with TESTanDRAIN

Size	A	B	C	D	E	F	G	H	I
1-1/4" (DN32)	VSR-S Flow Switch	1" NPT	16-1/2" (419)	15" (381)	5-1/8" (131)	6-3/32" (155)	6-11/32" (161)	4-1/2" (114)	9-3/32" (231)
1-1/2" (DN40)	VSR-S Flow Switch	1" NPT	16-1/2" (419)	15" (381)	5-1/8" (131)	7-19/32" (193)	6-15/16" (164)	4-3/4" (121)	9-7/32" (234)
2" (DN50)	VSR Flow Switch	1" NPT	14-1/2" (369)	13" (330)	3-1/16" (78)	6-7/16" (164)	5-51/64" (148")	4-49/64" (121)	9-35/64" (242)
2-1/2" (DN65)	VSR Flow Switch	1-1/4" NPT	14-1/2" (369)	13" (330)	3-1/4" (83)	6-11/16" (170)	6-3/64" (154)	6-1/4" (159)	10-61/64" (278)
3" (DN80)	VSR Flow Switch	1-1/4" NPT	14-1/2" (369)	13" (330)	3-1/4" (83)	7" (178)	6-23/64" (162)	5-5/8" (143)	11-17/64" (286)
4" (DN100)	VSR Flow Switch	2" NPT	14-1/2" (369)	13" (330)	2-5/8" (66)	7-1/2" (191)	6-25/32" (173)	8-3/16" (208)	16-3/8" (416)
6" (DN150)	VSR Flow Switch	2" NPT	14-1/2" (369)	13" (330)	2-5/8" (66)	8-35/64" (217)	7-53/64" (199)	9-15/64" (235)	17-27/64" (443)
8" (DN200)	VSR Flow Switch	2" NPT	14-3/4" (375)	13" (330)	2-3/4" (70)	9-1/2" (243)	8-3/4" (225)	10-1/4" (262)	18-1/2" (468)



TECHNICAL DATA

EASYPAC COMMERCIAL RISER MANIFOLD ASSEMBLIES

1-1/4" - 8" (DN32 - DN200)

The Viking Corporation, 210 N Industrial Park Drive, Hastings MI 49058

Telephone: 269-945-9501 Technical Services: 877-384-5464 Fax: 269-818-1680 Email: techsvcs@vikingcorp.com

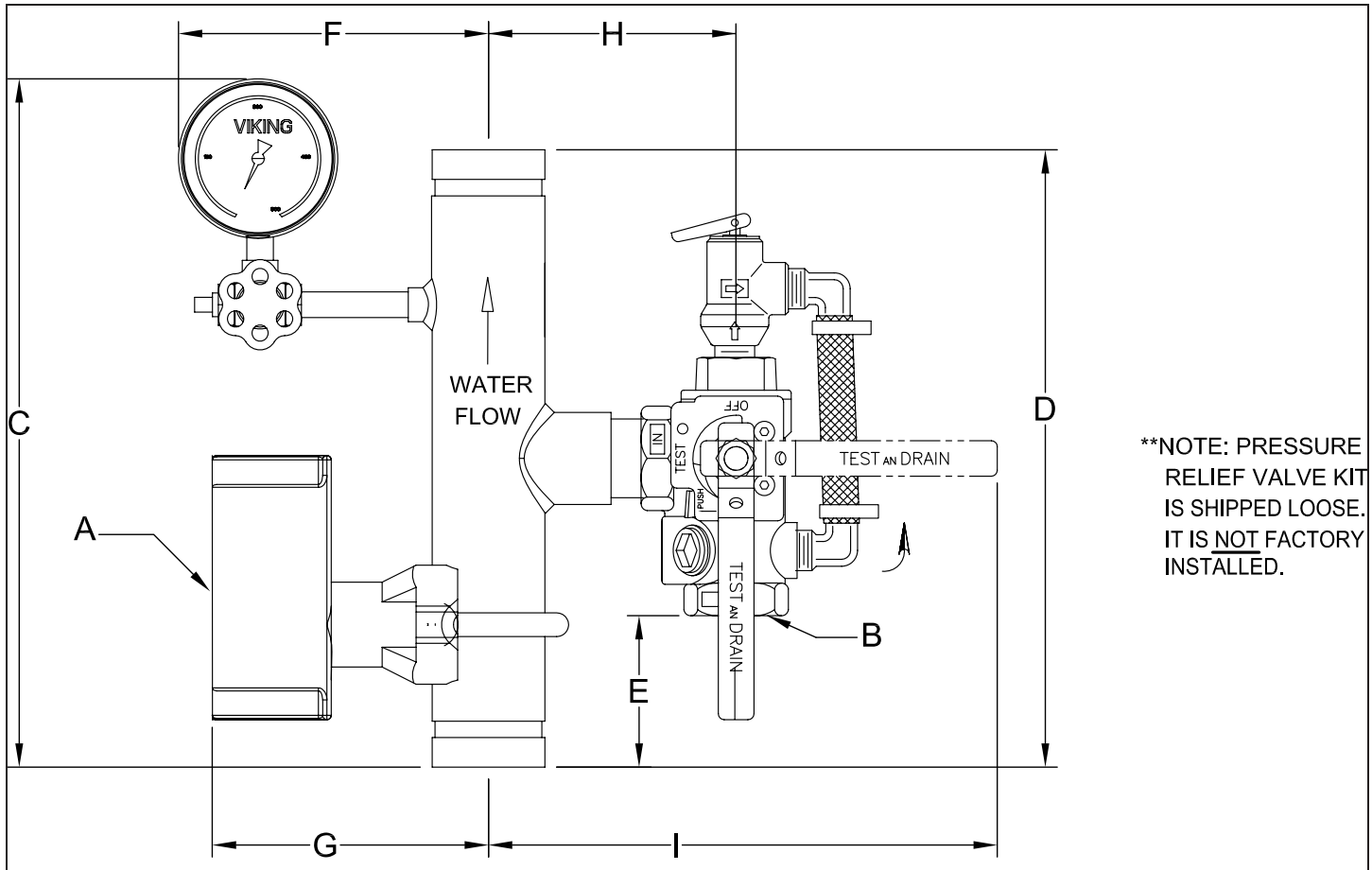


Figure 4 - Commercial EasyPac with TESTanDRAIN and PRV

Size	A	B	C	D	E	F	G	H	I
1-1/4" (DN32)	VSR-S Flow Switch	1" NPT	16-1/2" (419)	15" (381)	5-1/8" (131)	6-3/32" (155)	6-11/32" (161)	4-1/2" (114)	9-3/32" (231)
1-1/2" (DN40)	VSR-S Flow Switch	1" NPT	16-1/2" (419)	15" (381)	5-1/8" (131)	7-19/32" (193)	6-15/16" (164)	4-3/4" (121)	9-7/32" (234)
2" (DN50)	VSR Flow Switch	1" NPT	14-1/2" (369)	13" (330)	3-3/16" (81)	6-7/16" (164)	5-51/64" (148")	5-13/64" (132)	10-45/64" (272)
2-1/2" (DN65)	VSR Flow Switch	1-1/4" NPT	14-1/2" (369)	13" (330)	3-1/4" (83)	6-11/16" (170)	6-3/64" (154)	6-1/4" (159)	10-61/64" (278)
3" (DN80)	VSR Flow Switch	1-1/4" NPT	14-1/2" (369)	13" (330)	3-1/4" (83)	7" (178)	6-23/64" (162)	5-5/8" (143)	11-17/64" (286)
4" (DN100)	VSR Flow Switch	2" NPT	14-1/2" (369)	13" (330)	2-5/8" (66)	7-1/2" (191)	6-25/32" (173)	8-3/16" (208)	16-3/8" (416)
6" (DN150)	VSR Flow Switch	2" NPT	14-1/2" (369)	13" (330)	2-5/8" (66)	8-35/64" (217)	7-53/64" (199)	9-15/64" (235)	17-27/64" (443)
8" (DN200)	VSR Flow Switch	2" NPT	14-3/4" (375)	13" (330)	2-3/4" (70)	9-1/2" (243)	8-3/4" (225)	10-1/4" (262)	18-1/2" (468)

Engineering Specification

Job Name _____
 Job Location _____
 Engineer _____
 Approval _____

Contractor _____
 Approval _____
 Contractor's P.O. No. _____
 Representative _____

Series 009, 009-FS Reduced Pressure Zone Assemblies

1/4" – 2"

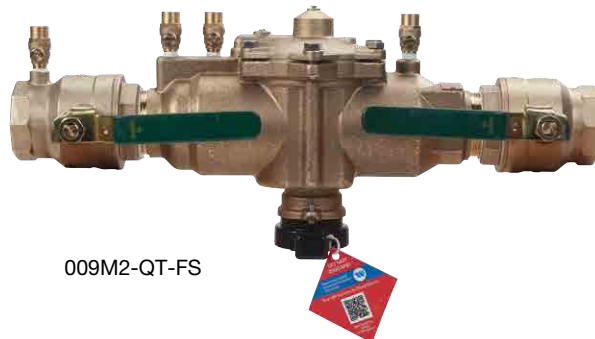
Series 009 and 009-FS Reduced Pressure Zone assemblies are designed to protect potable water supplies in accordance with national plumbing codes and water authority requirements. This series is designed to protect drinking water supplies from dangerous cross-connections in accordance with national plumbing codes and water authority requirements for non-potable service applications such as irrigation, fireline, or industrial processing.

The series features two in-line, independent check valves, captured springs, and replaceable check seats with an intermediate relief valve. Its compact modular design facilitates easy maintenance and assembly access. Sizes 1/4" to 1" shutoffs have tee handles.

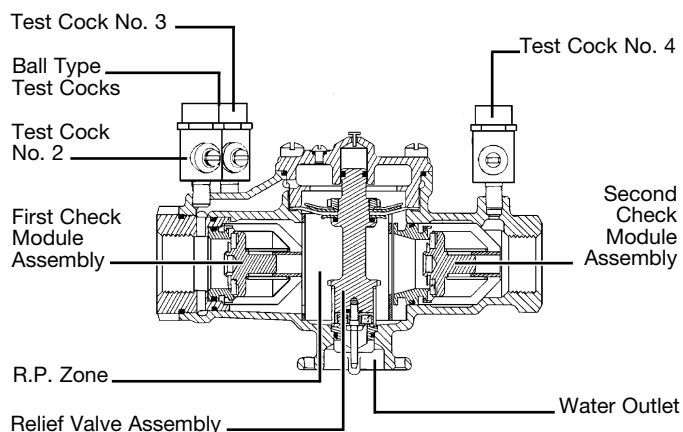
Series 009-FS assemblies of sizes 1/2" to 2" include an integrated flood sensor to detect excessive water discharges from the relief valve. When activated through an add-on sensor connection kit, the flood sensor relays a signal that triggers notification to qualified service personnel who can take corrective action, thus avoiding the possibility of ruinous flooding and costly damage. The add-on sensor connection kit is available for both building management systems, or BMS, and cellular communication. (For more information, refer to *Installation, Maintenance, and Repair Manual, Series 009-FS and LF009-FS.*)

Features

- Single access cover and modular check construction for ease of maintenance
- Top entry to all internals for immediate accessibility
- Captured springs for safe maintenance
- Internal relief valve for reduced installation clearances
- Replaceable seats for economical repair
- Bronze body construction for durability (1/4" – 2")
- Ball valve test cocks — screwdriver slotted (1/4" – 2")
- Large body passages provides low pressure drop
- Compact, space saving design
- No special tools required for servicing
- Integrated sensor for flood detection (1/2" – 2")



009M2-QT-FS



⚠ WARNING

It is illegal to use this product in any plumbing system providing water for human consumption, such as drinking or dishwashing, in the United States. Before installing standard material product, consult your local water authority, building and plumbing codes.

NOTICE

The information contained herein is not intended to replace the full product installation and safety information available or the experience of a trained product installer. You are required to thoroughly read all installation instructions and product safety information before beginning the installation of this product.

Inquire with governing authorities for local installation requirements.

Specification

A Reduced Pressure Zone Assembly shall be installed at each potential health hazard location to prevent backflow due to back-siphonage and/or backpressure. The assembly shall consist of an internal pressure differential relief valve located in a zone between two positive seating check modules with captured springs and silicone seat discs. Seats and seat discs shall be replaceable in both check modules and the relief valve. There shall be no threads or screws in the waterway exposed to line fluids. Service of all internal components shall be through a single access bronze cover secured with stainless steel bolts. The assembly shall also include two resilient seated isolation valves, four resilient seated test cocks, and an air gap drain fitting. The assembly shall meet the requirements of USC; ASSE Std. 1013; AWWA Std. C511-92; CSA B64.4. Shall be a Watts® Series 009.

Model/Option

Prefix:

U – Union connections (For more information download ES-U009-FS at watts.com.)

Suffix:

- AQT – Elbow fittings for 360° rotation (¾" – 2")
- FS – Integrated sensor for flood detection (½" – 2")
- HC – 2½" Inlet/outlet fire hydrant fitting (2")
- LF – Without shutoff valves
- PC – Internal polymer coating
- QT – Quarter-turn ball valves
- S – Bronze strainer
- SH – Stainless steel ball valve handles

Materials

Bronze body construction, silicone rubber disc material in the first and second check plus the relief valve. Replaceable polymer check seats for first and second checks. Removable relief valve seats. Stainless steel cover bolts.

Standardly furnished with NPT body connections. For optional bronze union inlet and outlet connections, specify prefix U (½" – 2"). Series 009QT furnished with quarter turn, full port, resilient seated, bronze ball valve shutoffs.

Pressure / Temperature

Suitable for supply pressure up to 175 psi (12.1 bar)
Water temperature: 33°F – 180°F (0.5°C – 75°C)

Standards

USC
ASSE No. 1013
AWWA C511-92
CSA B64.4
IAPMO File No. 1563

Approvals



ASSE, AWWA, CSA, IAPMO

Approved by the Foundation for Cross-Connection Control and Hydraulic Research at the University of Southern California

UL Classified ¾" – 2"
(LF models only except 009M3LF)

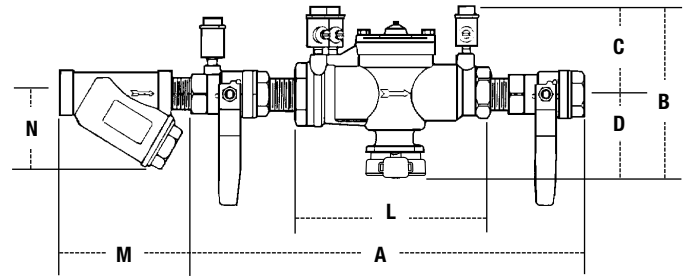
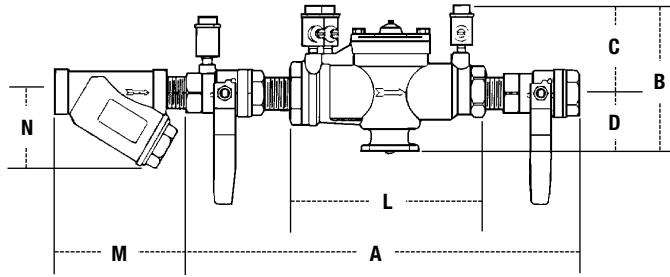
Insulated Enclosure

The WattsBox insulated enclosure is available for Series 009/009-FS. For more information download ES-WB at watts.com.

Dimensions and Weight

1/4" - 3/8"

1/2" - 2"



MODEL	DIMENSIONS (APPROX.)								STRAINER DIMENSIONS				WEIGHT			
	A		B		C		D		L		M		N		lb	kg
in.	in.	mm	in.	mm	in.	mm	in.	mm	in.	mm	in.	mm	in.	mm		
1/4	10	250	4 5/8	117	3 3/8	86	1 1/4	32	5 1/2	140	2 3/8	60	2 1/2	64	5	2
3/8	10	250	4 5/8	117	3 3/8	86	1 1/4	32	5 1/2	140	2 3/8	60	2 1/2	64	5	2
1/2	10	250	5 7/8	149	3 3/8	86	2 1/2	64	5 1/2	140	2 3/4	70	2 1/4	57	5	2
3/4	10 3/4	273	6 1/4	159	3 1/2	89	2 3/4	70	6 3/4	171	3 1/16	81	2 3/4	70	6	3
1	14 1/2	368	6 1/4	159	3	76	3 1/4	83	9 1/2	241	3 3/4	95	3	76	12	5
1 1/4	17 3/8	441	6 3/4	169	3 1/2	89	3 3/4	83	11 3/8	289	4 7/16	113	3 1/2	89	15	6
1 1/2	17 7/8	454	6 3/4	169	3 1/2	89	3 3/4	83	11 1/8	283	4 7/8	124	4	102	16	7
2	21 3/8	543	8 3/4	222	4 1/2	114	4 1/4	108	13 1/2	343	5 15/16	151	5	127	30	13

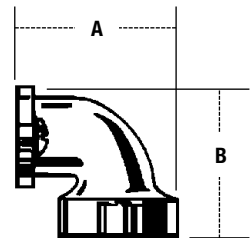
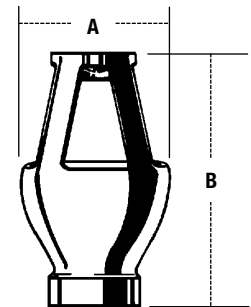
Suffix HD - Fire Hydrant Fittings dimension 'A' = 2 1/2"

Air Gaps and Elbows

TO BE USED

MODEL	SIZE For 909, 009, and 993	DRAIN OUTLET		DIMENSIONS				WEIGHT	
		in.	mm	A		B		lb	kg
				in.	mm	in.	mm		
909AGA	1/4"-1/2" 009, 3/4" 009M2/M3	1/2	13	2 3/8	60	3 3/8	79	0.625	0.28
909AGC	3/4"-1" 009/909, 1"-1 1/2" 009M2	1	25	3 1/4	83	4 7/8	124	1.5	0.68
909AGF	1 1/4"-2" 009M1, 1 1/4"-3" 009/909, 2" 009M2, 4"-6" 993	2	51	4 3/8	111	6 3/4	171	3.25	1.47
909AGK	4"-6" 909, 8"-10" 909M1	3	76	6 3/8	162	9 3/8	244	6.25	2.83
909AGM	8"-10" 909	4	102	7 3/8	187	11 1/4	286	15.5	7.03
909ELA	1/4"-1/2" 009, 3/4" 009M2/M3	-	-	-	-	-	-	-	-
909ELC	3/4"-1" 009/909	-	-	2 3/8	60	2 3/8	60	0.38	0.17
909ELF*	1 1/4"-2" 009M1, 1 1/4"-2" 009/909, 2" 009M2, 4"-6" 993	-	-	3 3/8	92	3 3/8	92	2	0.91
909ELH*	2 1/2"-3" 009/909	-	-	-	-	-	-	-	-
Vertical									

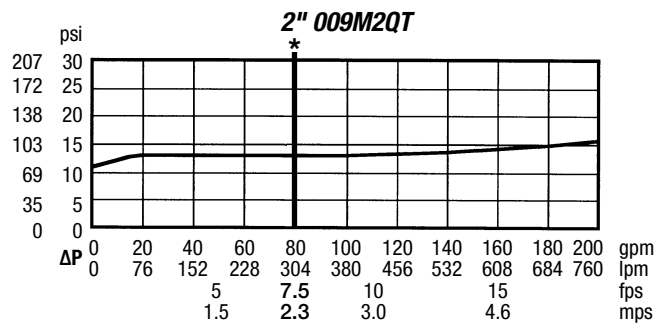
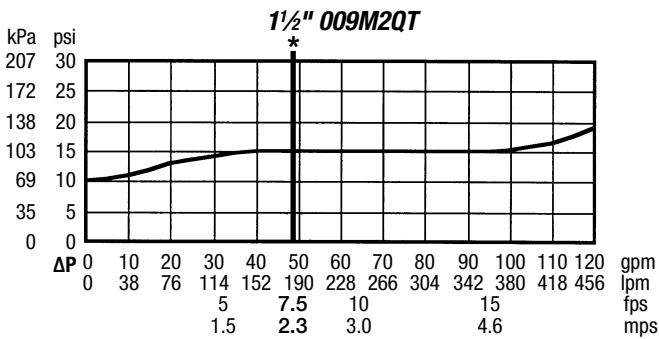
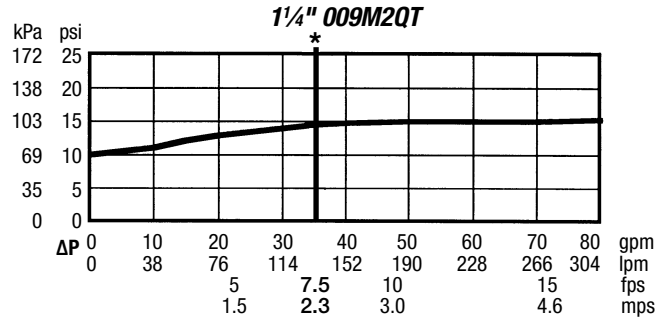
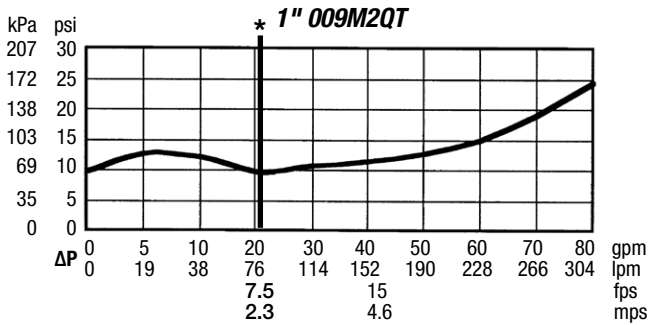
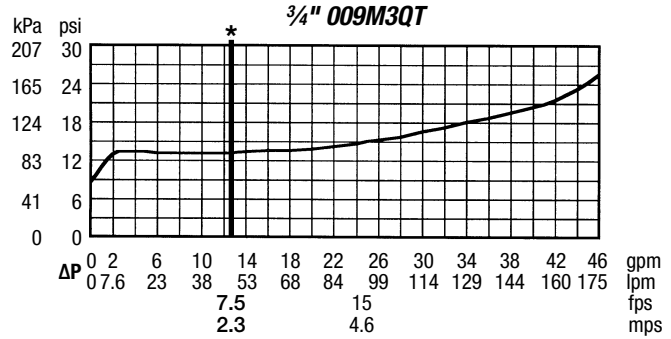
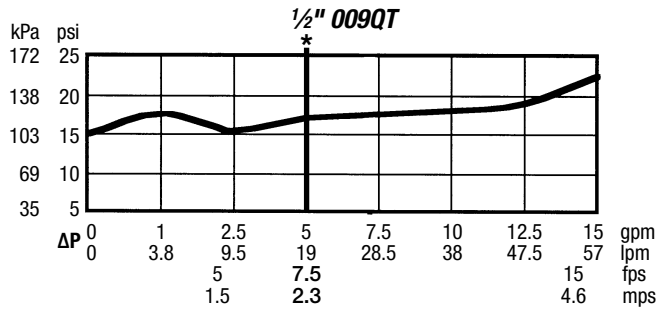
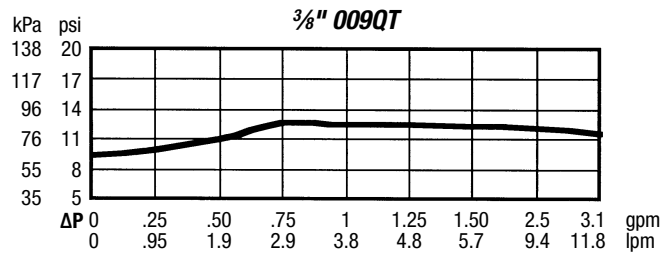
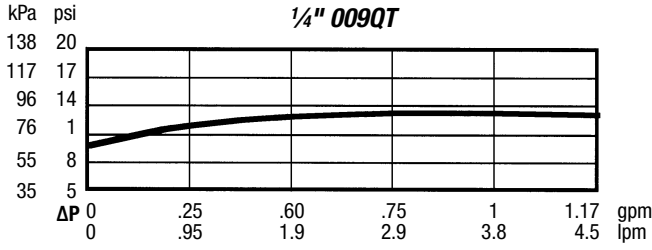
* Epoxy coated



Capacity

Performance as established by an independent testing laboratory.

The asterisk (*) indicates typical maximum system flow rate (7.5 ft/sec, 2.3 m/sec).





Submittal Data for CPVC Strap Hangers

All materials to be used in the installation of sprinkler system are to conform to NFPA 13, 13R and 13D, Local Authorities having Jurisdiction and any applicable referenced codes and standards.

UL Listed in the USA and Canada to support fire sprinkler piping.

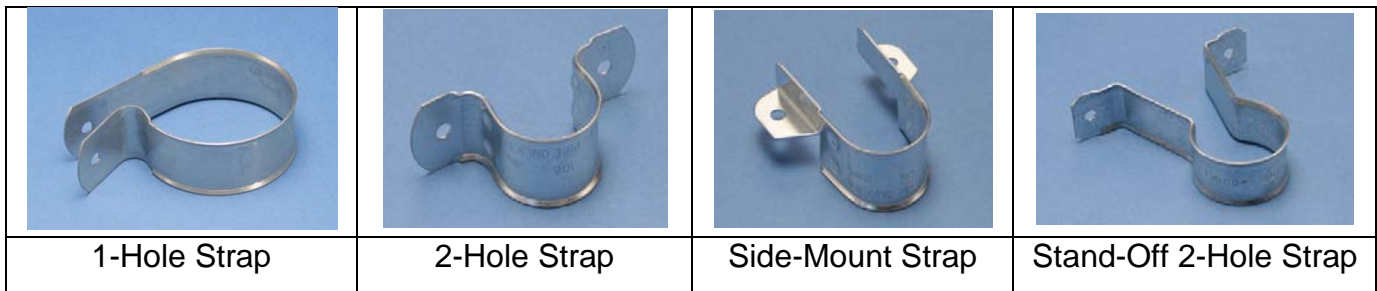
- A “one-hole strap” can function as a hanger and restraining device. It supports CPVC pipe horizontally from top or side of beam. As a restraining device, the hanger will be inverted so the fastener is downward. This installation will prevent upward movement of the sprinkler during activation.
- A “two-hole strap” can function as a hanger and restraining device. It supports CPVC pipe horizontally from top, bottom, or side of beam. A hex-head self-threading screw (furnished with most CPVC hangers) is easily installed using an electric drill. No pre-drilling pilot hole is required.
- A “side-mount strap” supports the CPVC pipe horizontally from top or bottom of beam
- A “stand-off 2-hole strap” supports the CPVC pipe off of the vertical face of the structural or composite wood joists.

Hangers must be clean, free of burrs, and all surface oils. Any contaminants must be removed from the hanger.

The pipe size of the hanger shall be the same size as the supported pipe.

Pipe hangers must have a load bearing surface at least ½” inch wide.

Examples of CPVC Hangers



This submittal shall include the following checked items:

Product

<input checked="" type="checkbox"/>	¾” Hangers
<input checked="" type="checkbox"/>	1” Hangers
<input type="checkbox"/>	1-1/4” Hangers
<input type="checkbox"/>	1-1/2” Hangers
<input checked="" type="checkbox"/>	2” Hangers

Origin of Manufacture

Domestic	Foreign
<input type="checkbox"/>	<input checked="" type="checkbox"/>



UNITED BRASS WORKS, INC.

714 S. Main St., Randleman, NC 27317

Tel: 800-334-3035 Fax: 800-498-4696 www.ubw.com



Model 99S Swing Check Valve

200 WOG @ 180 ° Max

100% Pressure Tested • Integral Seat

Threaded Ends • Soft Disc

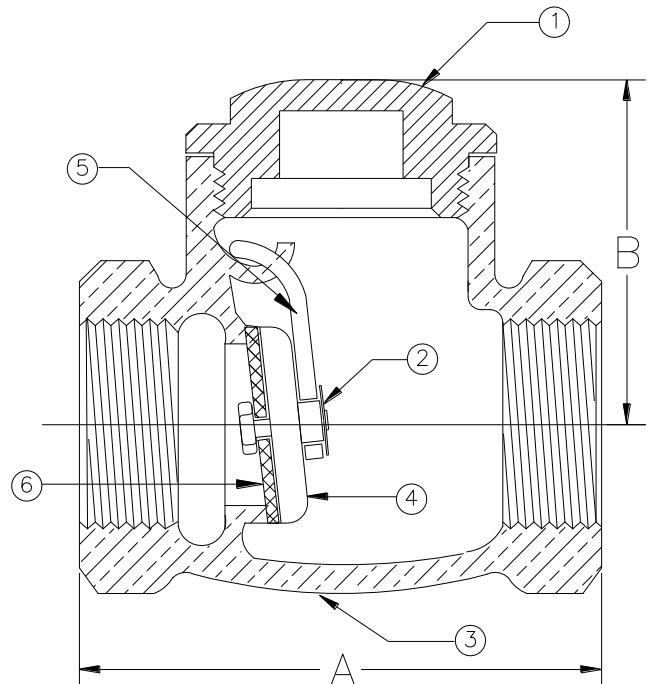
Not recommended for pulsating or vibrating service.

Do Not Install laying on side.

Keep seat clean.

MATERIAL LIST

NO.	DESCRIPTION	MATERIAL
1	Cap (1/4" - 1") Cap (1 1/4" - 2")	Brass Bronze
2	Washer	Brass
3	Body	Bronze
4	Disc	Brass
5	Hinge	Stainless Steel
6	Disc	Buna-N



Size	1/4"	3/8"	1/2"	3/4"	1"	1 1/4"	1 1/2"	2"
A	1.89	1.89	2.14	2.51	3.03	3.45	3.81	4.44
B	1.22	1.22	1.28	1.53	2.06	2.20	2.20	2.86
Ship Wgt. (lbs.)	0.45	0.45	0.58	0.81	1.62	1.81	2.41	3.42
Qty. Unit Pack	12	12	12	12	6	6	4	2
Qty. Per Case	60	60	60	60	30	18	12	6



Raleigh: 1731 Roundrock Drive | Raleigh, NC 27615 | Tel: 919.872.3250
www.SummitFireSecurity.com

HYDRAULIC CALCULATIONS



Hydraulic Calculations by HydraCALC

SUMMIT FIRE & SECURITY
1731 Roundrock Dr
Raleigh NC 27615
919-872-3250

Job Name : FAIRWAY POINTE BLDG 4&5
Drawing : FP2
Location : BLDG 16 STORAGE
Remote Area : RA1
Contract : 1-5046-00297
Data File : L1 STORAGE.WXF

HYDRAULIC CALCULATIONS
for

JOB NAME FAIRWAY POINTE BLDG 4&5
Location BLDG 16 STORAGE
Drawing # FP2
Contract # 1-5046-00297
Date 7/11/23

DESIGN

Remote area # RA1
Remote area location BLDG 5 STORAGE LEVEL 1
Occupancy classification OHI
Density .15 - Gpm/SqFt
Area of application ENTIRE - SqFt
Coverage/sprinkler VARIES - SqFt
Type of sprinkler calculated SSP
Sprinklers calculated 11
In-rack demand - GPM
Hose streams 250 - GPM
Total water required (including hose streams) 436.61 - GPM @ 87.5785 - Psi
Type of system WET
Volume of system (dry or pre-action) - Gal

WATER SUPPLY INFORMATION

Test date 4/5/23
Location GALLERY DR.
Source of info SUMMIT FIRE & SECURITY

CONTRACTOR INFO SUMMIT FIRE & SECURITY

Address 1731 Roundrock Dr / Raleigh NC 27615
Phone # 919-872-3250
Name of designer I. BURROWS
Authority having jurisdiction HARNETT COUNTY
NOTES:

text1(35) - invisible

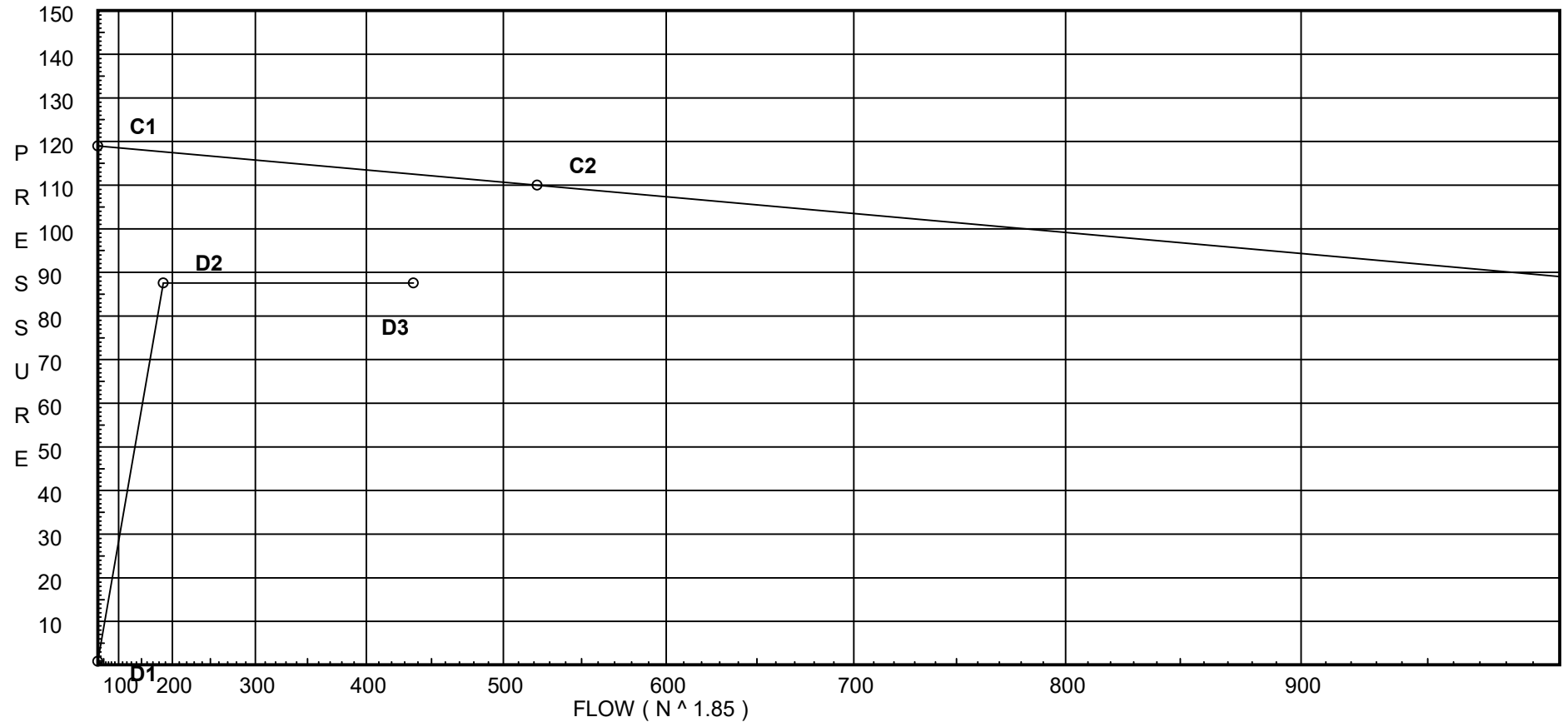
Water Supply Curve

SUMMIT FIRE & SECURITY
FAIRWAY POINTE BLDG 4&5

Page 2
Date 7/11/23

City Water Supply:
C1 - Static Pressure : 119
C2 - Residual Pressure: 110
C2 - Residual Flow : 522

Demand:
D1 - Elevation : 0.866
D2 - System Flow : 186.61
D2 - System Pressure : 87.578
Hose (Demand) : 250
D3 - System Demand : 436.61
Safety Margin : 24.954



Fittings Used Summary

SUMMIT FIRE & SECURITY
FAIRWAY POINTE BLDG 4&5

Page 3
Date 7/11/23

Fitting Legend

Abbrev.	Name	1/2	3/4	1	1 1/4	1 1/2	2	2 1/2	3	3 1/2	4	5	6	8	10	12	14	16	18	20	24
E	NFPA 13 90' Standard Elbow	1	2	2	3	4	5	6	7	8	10	12	14	18	22	27	35	40	45	50	61
F	NFPA 13 45' Elbow	1	1	1	1	2	2	3	3	3	4	5	7	9	11	13	17	19	21	24	28
Fsp	Flow Switch Potter VSR	Fitting generates a Fixed Loss Based on Flow																			
G	NFPA 13 Gate Valve	0	0	0	0	0	1	1	1	1	2	2	3	4	5	6	7	8	10	11	13
N *	CPVC 90' Ell	0	4	5	6	7	9	12	13	0	0	0	0	0	0	0	0	0	0	0	0
O *	CPVC Branch Tee	0	3	5	6	8	10	12	15	0	0	0	0	0	0	0	0	0	0	0	0
T	NFPA 13 90' Flow thru Tee	3	4	5	6	8	10	12	15	17	20	25	30	35	50	60	71	81	91	101	121

Units Summary

Diameter Units Inches
 Length Units Feet
 Flow Units US Gallons per Minute
 Pressure Units Pounds per Square Inch

Note: Fitting Legend provides equivalent pipe lengths for fittings types of various diameters. Equivalent lengths shown are standard for actual diameters of Sched 40 pipe and CFactors of 120 except as noted with *. The fittings marked with a * show equivalent lengths values supplied by manufacturers based on specific pipe diameters and CFactors and they require no adjustment. All values for fittings not marked with a * will be adjusted in the calculation for CFactors of other than 120 and diameters other than Sched 40 per NFPA.

Flow Summary - NFPA

SUMMIT FIRE & SECURITY
FAIRWAY POINTE BLDG 4&5

Page 4
Date 7/11/23

SUPPLY ANALYSIS

Node at Source	Static Pressure	Residual Pressure	Flow	Available Pressure	Total Demand	Required Pressure
TEST	119.0	110	522.0	112.533	436.61	87.578

NODE ANALYSIS

Node Tag	Elevation	Node Type	Pressure at Node	Discharge at Node	Notes	
S101	112.0	5.6	7.63	15.47	0.15	96
S102	112.0	5.6	7.0	14.82	0.15	96
S103	112.0	5.6	7.84	15.68	0.15	50
S104	112.0	5.6	9.12	16.91	0.15	69
S105	112.0	5.6	7.98	15.81	0.15	96
S106	112.0	5.6	7.61	15.45	0.15	96
S107	112.0	5.6	8.69	16.51	0.15	66
S108	112.0	5.6	9.06	16.85	0.15	66
S109	112.0	5.6	10.92	18.51	0.15	53
S110	112.0	5.6	11.8	19.24	0.15	85
S111	112.0	5.6	14.55	21.36	0.15	55
101	112.0		8.95			
102	112.0		9.6			
103	112.0		10.34			
104	112.0		9.55			
105	112.0		10.59			
106	112.0		13.68			
107	112.0		15.49			
A	112.0		22.51			
B	112.0		23.4			
D	112.0		26.35			
TOR	112.0		56.5			
BKFL	105.0		64.62			
BASE	101.0		83.03			
UG1	101.0		85.72			
UG2	97.5		91.43			
UG3	110.0		87.53			
UG4	110.0		87.54			
UG5	110.0		87.55			
UGT	110.0		87.56			
TEST	110.0		87.58	250.0		

Final Calculations : Hazen-Williams

SUMMIT FIRE & SECURITY
FAIRWAY POINTE BLDG 4&5

Page 5
Date 7/11/23

Node1 to Node2	Elev1 Elev2	K Fact	Qa Qt	Nom Act	Fitting or Eqiv	Len	Pipe Ftngs Total	CFact Pf/Ft	Pt Pe Pf	*****	Notes	*****
S101 to 101	112 112	5.60	15.47 15.47	0.75 0.874	2N	8.0	2.167 8.000 10.167	150	7.630 0.0 1.324		Vel = 8.27	
101			0.0 15.47						8.954		K Factor = 5.17	
S102 to 101	112 112	5.60	14.82 14.82	0.75 0.874	2N	8.0	8.250 8.000 16.250	150	7.000 0.0 1.954		Vel = 7.93	
101			0.0 14.82						8.954		K Factor = 4.95	
S103 to 102	112 112	5.60	15.68 15.68	0.75 0.874	N O	4.0 3.0	6.125 7.000 13.125	150	7.842 0.0 1.753		Vel = 8.39	
102			0.0 15.68						9.595		K Factor = 5.06	
S104 to 103	112 112	5.60	16.91 16.91	0.75 0.874	O N	3.0 4.0	0.917 7.000 7.917	150	9.120 0.0 1.216		Vel = 9.04	
103			0.0 16.91						10.336		K Factor = 5.26	
S105 to 104	112 112	5.60	15.81 15.81	0.75 0.874	2N	8.0	3.583 8.000 11.583	150	7.976 0.0 1.571		Vel = 8.45	
104			0.0 15.81						9.547		K Factor = 5.12	
S106 to 104	112 112	5.60	15.45 15.45	0.75 0.874	2N	8.0	6.875 8.000 14.875	150	7.614 0.0 1.933		Vel = 8.26	
104			0.0 15.45						9.547		K Factor = 5.00	
S107 to 105	112 112	5.60	16.51 16.51	0.75 0.874	N O	4.0 3.0	5.958 7.000 12.958	150	8.687 0.0 1.903		Vel = 8.83	
105			0.0 16.51						10.590		K Factor = 5.07	
S108 to 105	112 112	5.60	16.85 16.85	0.75 0.874	N	4.0	6.042 4.000 10.042	150	9.058 0.0 1.532		Vel = 9.01	
105			0.0 16.85						10.590		K Factor = 5.18	
S109 to 106	112 112	5.60	18.51 18.51	0.75 0.874	2N	8.0	7.167 8.000 15.167	150	10.924 0.0 2.753		Vel = 9.90	
106			0.0 18.51						13.677		K Factor = 5.01	
S110 to 106	112 112	5.60	19.24 19.24	0.75 0.874	2N	8.0	1.625 8.000 9.625	150	11.801 0.0 1.876		Vel = 10.29	

Final Calculations : Hazen-Williams

SUMMIT FIRE & SECURITY
FAIRWAY POINTE BLDG 4&5

Page 6
Date 7/11/23

Node1 to Node2	Elev1 Elev2	K Fact	Qa Qt	Nom Act	Fitting or Eqiv	Len	Pipe Ftngs Total	CFact Pf/Ft	Pt Pe Pf	*****	Notes	*****
106			0.0 19.24						13.677		K Factor = 5.20	
S111 to 107	112 112	5.60	21.36	0.75	O	3.0	1.000 3.000 4.000	150	14.548 0.0 0.947		Vel = 11.42	
107			0.0 21.36						15.495		K Factor = 5.43	
101 to 102	112 112		30.28	1			4.375 4.375	150	8.954 0.0 0.641		Vel = 10.20	
102 to 103	112 112		15.69	1			2.333 2.333	150	9.595 0.0 0.741		Vel = 15.49	
103 to A	112 112		16.91	1	O	5.0	16.500 5.000 21.500	150	10.336 0.0 12.176		Vel = 21.19	
A			0.0 62.88						22.512		K Factor = 13.25	
104 to 105	112 112		31.27	1			6.708 6.708	150	9.547 0.0 1.043		Vel = 10.54	
105 to B	112 112		33.36	1	O	5.0	16.500 5.000 21.500	150	10.590 0.0 12.810		Vel = 21.78	
B			0.0 64.63						23.400		K Factor = 13.36	
106 to 107	112 112		37.75	1			8.250 8.250	150	13.677 0.0 1.818		Vel = 12.72	
107 to D	112 112		21.36	1	O	5.0	16.500 5.000 21.500	150	15.495 0.0 10.859		Vel = 19.92	
D			0.0 59.11						26.354		K Factor = 11.51	
A to B	112 112		62.88	2	O	10.0	18.917 10.000 28.917	150	22.512 0.0 0.888		Vel = 6.40	
B to D	112 112		64.62	2	O	10.0	16.000 10.000 26.000	150	23.400 0.0 2.954		Vel = 12.98	
D to TOR	112 112		59.11	2	4N O	36.0 10.0	85.166 46.000 131.166	150	26.354 0.0 30.147		Vel = 19.00	
TOR			0.0 186.61						56.501		K Factor = 24.83	
TOR to BKFL	112 105		186.61	2	Fsp	0.0	7.000 7.000	120	56.501 6.032 2.085		** Fixed Loss = 3 Vel = 17.84	

Final Calculations : Hazen-Williams

SUMMIT FIRE & SECURITY
FAIRWAY POINTE BLDG 4&5

Page 7
Date 7/11/23

Node1 to Node2	Elev1 Elev2	K Fact	Qa Qt	Nom Act	Fitting or Equiv Len	Pipe Ftngs Total	CFact Pf/Ft	Pt Pe Pf	*****	Notes	*****
BKFL to BASE	105 101		0.0 186.61	2 2.067	E 5.0	4.000 5.000 9.000	120 0.2980	64.618 15.732 2.682		** Fixed Loss = 14 Vel = 17.84	
BASE			0.0 186.61					83.032		K Factor = 20.48	
BASE to UG1	101 101		186.61 186.61	2 1.985	E 6.204	5.000 6.203 11.203	150 0.2402	83.032 0.0 2.691		Vel = 19.35	
UG1 to UG2	101 97.500		0.0 186.61	2 1.985	E G 6.204 1.241	10.000 7.444 17.444	150 0.2401	85.723 1.516 4.189		Vel = 19.35	
UG2 to UG3	97.500 110		0.0 186.61	4 4.23	E 2T G 19.223 76.893 3.845	152.000 99.961 251.961	150 0.0060	91.428 -5.414 1.520		Vel = 4.26	
UG3 to UGT	110 110		-31.13 155.48	8 8.27	G T 6.326 55.354	70.000 61.680 131.680	140 0.0002	87.534 0.0 0.024		Vel = 0.93	
UGT			0.0 155.48					87.558		K Factor = 16.62	
UG3 to UG4	110 110		31.13 31.13	8 8.27	4F 56.936	416.000 56.936 472.936	140 0	87.534 0.0 0.004		Vel = 0.19	
UG4 to UG5	110 110		0.0 31.13	8 8.27	F 2T 14.234 110.709	948.000 124.943 1072.943	140 0	87.538 0.0 0.011		Vel = 0.19	
UG5 to UGT	110 110		0.0 31.13	8 8.27	T 55.354	980.000 55.354 1035.354	140 0	87.549 0.0 0.009		Vel = 0.19	
UGT to TEST	110 110		155.48 186.61	8 8.27	G T 6.326 55.354	15.000 61.680 76.680	140 0.0003	87.558 0.0 0.020		Vel = 1.11	
TEST			250.00 436.61					87.578		Qa = 250.00 K Factor = 46.65	



Hydraulic Calculations by HydraCALC

SUMMIT FIRE & SECURITY
1731 Roundrock Dr
Raleigh NC 27615
919-872-3250

Job Name : FAIRWAY POINTE BLDG 4&5
Drawing : FP4
Location : BLDG 16 BREEZEWAY
Remote Area : RA3
Contract : 1-5046-00297
Data File : BLDG 5 BREEZEWAY.WXF

HYDRAULIC CALCULATIONS
for

JOB NAME FAIRWAY POINTE BLDG 4&5
Location BLDG 16 BREEZEWAY
Drawing # FP4
Contract # 1-5046-00297
Date 7/11/23

DESIGN

Remote area # RA3
Remote area location BLDG 5 BREEZEWAY
Occupancy classification LH
Density .1 - Gpm/SqFt
Area of application ENTIRE - SqFt
Coverage/sprinkler VARIES - SqFt
Type of sprinkler calculated DRY SIDEWALL
Sprinklers calculated 4
In-rack demand - GPM
Hose streams - GPM
Total water required (including hose streams) 67.2035 - GPM @ 52.2891 - Psi
Type of system WET
Volume of system (dry or pre-action) - Gal

WATER SUPPLY INFORMATION

Test date 4/5/23
Location GALLERY DR
Source of info SUMMIT FIRE & SECURITY

CONTRACTOR INFO SUMMIT FIRE & SECURITY

Address 1731 Roundrock Dr / Raleigh NC 27615
Phone # 919-872-3250
Name of designer I. BURROWS
Authority having jurisdiction HARNETT COUNTY
NOTES:

text1(35) - invisible

Water Supply Curve

SUMMIT FIRE & SECURITY
FAIRWAY POINTE BLDG 4&5

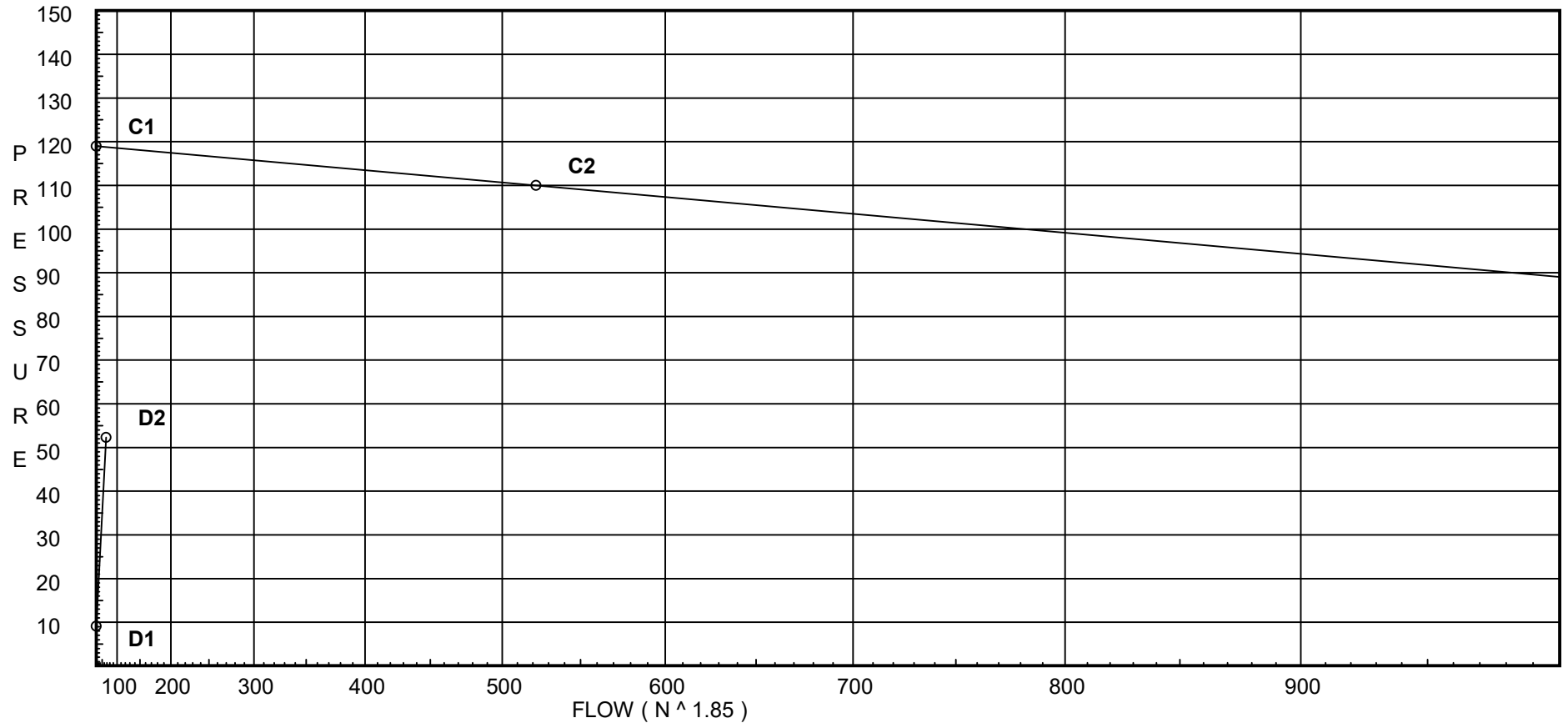
Page 2
Date 7/11/23

City Water Supply:

C1 - Static Pressure : 119
C2 - Residual Pressure: 110
C2 - Residual Flow : 522

Demand:

D1 - Elevation : 9.095
D2 - System Flow : 67.204
D2 - System Pressure : 52.289
Hose (Demand) : _____
D3 - System Demand : 67.204
Safety Margin : 66.508



Fittings Used Summary

SUMMIT FIRE & SECURITY
FAIRWAY POINTE BLDG 4&5

Page 3
Date 7/11/23

Fitting Legend

Abbrev.	Name	1/2	3/4	1	1 1/4	1 1/2	2	2 1/2	3	3 1/2	4	5	6	8	10	12	14	16	18	20	24
E	NFPA 13 90' Standard Elbow	1	2	2	3	4	5	6	7	8	10	12	14	18	22	27	35	40	45	50	61
F	NFPA 13 45' Elbow	1	1	1	1	2	2	3	3	3	4	5	7	9	11	13	17	19	21	24	28
Fsp	Flow Switch Potter VSR	Fitting generates a Fixed Loss Based on Flow																			
G	NFPA 13 Gate Valve	0	0	0	0	0	1	1	1	1	2	2	3	4	5	6	7	8	10	11	13
N*	CPVC 90' Ell	0	4	5	6	7	9	12	13	0	0	0	0	0	0	0	0	0	0	0	0
O*	CPVC Branch Tee	0	3	5	6	8	10	12	15	0	0	0	0	0	0	0	0	0	0	0	0
T	NFPA 13 90' Flow thru Tee	3	4	5	6	8	10	12	15	17	20	25	30	35	50	60	71	81	91	101	121

Units Summary

Diameter Units Inches
 Length Units Feet
 Flow Units US Gallons per Minute
 Pressure Units Pounds per Square Inch

Note: Fitting Legend provides equivalent pipe lengths for fittings types of various diameters. Equivalent lengths shown are standard for actual diameters of Sched 40 pipe and CFactors of 120 except as noted with *. The fittings marked with a * show equivalent lengths values supplied by manufacturers based on specific pipe diameters and CFactors and they require no adjustment. All values for fittings not marked with a * will be adjusted in the calculation for CFactors of other than 120 and diameters other than Sched 40 per NFPA.

Flow Summary - NFPA

SUMMIT FIRE & SECURITY
FAIRWAY POINTE BLDG 4&5

Page 4
Date 7/11/23

SUPPLY ANALYSIS

<i>Node at Source</i>	<i>Static Pressure</i>	<i>Residual Pressure</i>	<i>Flow</i>	<i>Available Pressure</i>	<i>Total Demand</i>	<i>Required Pressure</i>
TEST	119.0	110	522.0	118.797	67.2	52.289

NODE ANALYSIS

<i>Node Tag</i>	<i>Elevation</i>	<i>Node Type</i>	<i>Pressure at Node</i>	<i>Discharge at Node</i>	<i>Notes</i>
S301	131.0	5.6	8.37	16.21	0.1 150
S302	131.0	5.6	11.6	19.07	0.1 150
S303	131.0	5.6	9.13	16.92	0.1 150
S304	131.0	5.6	7.17	15.0	0.1 150
301	131.0		13.44		
302	131.0		17.42		
203	131.0		11.98		
304	131.0		10.1		
X2	120.0		18.96		
X1	120.0		17.27		
M3	120.0		17.27		
X	120.0		21.03		
X3	120.0		24.22		
M5	120.0		25.05		
X4	120.0		24.67		
X5	120.0		24.66		
C	112.0		28.29		
E	112.0		29.2		
TOR	112.0		32.43		
BKFL	105.0		38.77		
BASE	101.0		54.91		
UG1	101.0		55.32		
UG2	97.5		57.47		
UG3	110.0		52.28		
UG4	110.0		52.28		
UG5	110.0		52.28		
UGT	110.0		52.29		
TEST	110.0		52.29		

Final Calculations : Hazen-Williams

SUMMIT FIRE & SECURITY
FAIRWAY POINTE BLDG 4&5

Page 5
Date 7/11/23

Node1 to Node2	Elev1 Elev2	K Fact	Qa Qt	Nom Act	Fitting or Eqiv	Len	Pipe Ftngs Total	CFact Pf/Ft	Pt Pe Pf	*****	Notes	*****
S301 to 301	131 131	5.60	16.21 16.21	0.75 0.874	2N	8.0	27.667 8.000 35.667	150	8.375 0.0 5.063		Vel = 8.67	
301			0.0 16.21						13.438		K Factor = 4.42	
S302 to 302	131 131	5.60	19.07 19.07	0.75 0.874	3N O	12.0 3.0	15.333 15.000 30.333	150	11.602 0.0 5.820		Vel = 10.20	
302			0.0 19.07						17.422		K Factor = 4.57	
S303 to 203	131 131	5.60	16.92 16.92	0.75 0.874	3N	12.0	6.500 12.000 18.500	150	9.133 0.0 2.845		Vel = 9.05	
203			0.0 16.92						11.978		K Factor = 4.89	
S304 to 304	131 131	5.60	15.00 15.0	0.75 0.874	2N	8.0	15.750 8.000 23.750	150	7.175 0.0 2.921		Vel = 8.02	
304			0.0 15.00						10.096		K Factor = 4.72	
301 to X2	131 120		16.21 16.21	0.75 0.874	O	3.0	2.375 3.000 5.375	150	13.438 4.764 0.762		Vel = 8.67	
X2			0.0 16.21						18.964		K Factor = 3.72	
302 to X3	131 120		19.07 19.07	0.75 0.874	N O	4.0 3.0	3.583 7.000 10.583	150	17.422 4.764 2.031		Vel = 10.20	
X3			0.0 19.07						24.217		K Factor = 3.88	
203 to M3	131 120		16.92 16.92	0.75 0.874	O	3.0	0.417 3.000 3.417	150	11.978 4.764 0.525		Vel = 9.05	
M3			0.0 16.92						17.267		K Factor = 4.07	
304 to X1	131 120		15.00 15.0	0.75 0.874	N O	4.0 3.0	12.583 7.000 19.583	150	10.096 4.764 2.410		Vel = 8.02	
X1			0.0 15.00						17.270		K Factor = 3.61	
X2 to X1	120 120		-16.24 -16.24	1 1.101	N O	5.0 5.0	26.625 10.000 36.625	150	18.964 0.0 -1.694		Vel = 5.47	
X1 to M3	120 120		15.00 -1.24	1 1.101	N	5.0	1.417 5.000 6.417	150	17.270 0.0 -0.003		Vel = 0.42	
M3 to X	120 120		16.93 15.69	1 1.101	2N	10.0	76.583 10.000 86.583	150	17.267 0.0 3.758		Vel = 5.29	

Final Calculations : Hazen-Williams

SUMMIT FIRE & SECURITY
FAIRWAY POINTE BLDG 4&5

Page 6
Date 7/11/23

Node1 to Node2	Elev1 Elev2	K Fact	Qa Qt	Nom Act	Fitting or Equiv Len	Pipe Ftngs Total	CFact Pf/Ft	Pt Pe Pf	*****	Notes	*****
X to X2	120 120		-48.13 -32.44	1 1.101	N 5.0	7.375 5.000 12.375	150 -0.1665	21.025 0.0 -2.061			Vel = 10.93
X2			0.0 -32.44					18.964			K Factor = -7.45
X3 to M5	120 120		12.29 12.29	1 1.101	N 5.0	25.250 5.000 30.250	150 0.0276	24.217 0.0 0.836			Vel = 4.14
M5			0.0 12.29					25.053			K Factor = 2.46
M5 to X4	120 120		-6.78 -6.78	1 1.101	N 5.0	37.083 5.000 42.083	150 -0.0092	25.053 0.0 -0.387			Vel = 2.28
X4 to X5	120 120		0.0 -6.78	2 2.003		13.417 13.417	150 -0.0005	24.666 0.0 -0.007			Vel = 0.69
X5 to X3	120 120		0.0 -6.78	1 1.101	2N 10.0	38.125 10.000 48.125	150 -0.0092	24.659 0.0 -0.442			Vel = 2.28
X3			0.0 -6.78					24.217			K Factor = -1.38
M5 to E	120 112		19.07 19.07	1 1.101		11.000 11.000	150 0.0624	25.053 3.465 0.686			Vel = 6.43
E			0.0 19.07					29.204			K Factor = 3.53
X to C	120 112		48.13 48.13	1 1.101		11.000 11.000	150 0.3454	21.025 3.465 3.799			Vel = 16.22
C			0.0 48.13					28.289			K Factor = 9.05
C to E	112 112		48.13 48.13	2 2.003	O 10.0	38.792 10.000 48.792	150 0.0188	28.289 0.0 0.915			Vel = 4.90
E to TOR	112 112		19.07 67.2	2 2.003	4N 36.0	56.749 36.000 92.749	150 0.0347	29.204 0.0 3.222			Vel = 6.84
TOR			0.0 67.20					32.426			K Factor = 11.80
TOR to BKFL	112 105		67.20 67.2	2 2.067	Fsp 0.0	7.000 7.000	120 0.0450	32.426 6.032 0.315		** Fixed Loss = 3	Vel = 6.43
BKFL to BASE	105 101		0.0 67.2	2 2.067	E 5.0	4.000 5.000 9.000	120 0.0451	38.773 15.732 0.406		** Fixed Loss = 14	Vel = 6.43
BASE			0.0 67.20					54.911			K Factor = 9.07

Final Calculations : Hazen-Williams

SUMMIT FIRE & SECURITY
FAIRWAY POINTE BLDG 4&5

Page 7
Date 7/11/23

Node1 to Node2	Elev1 Elev2	K Fact	Qa Qt	Nom Act	Fitting or Eqiv	Len	Pipe Ftngs Total	CFact Pf/Ft	Pt Pe Pf	*****	Notes	*****
BASE to UG1	101 101		67.20 67.2	2 1.985	E	6.204	5.000 6.203 11.203	150 0.0362	54.911 0.0 0.406			Vel = 6.97
UG1 to UG2	101 97.500		0.0 67.2	2 1.985	E G	6.204 1.241	10.000 7.444 17.444	150 0.0363	55.317 1.516 0.633			Vel = 6.97
UG2 to UG3	97.500 110		0.0 67.2	4 4.23	E 2T G	19.223 76.893 3.845	152.000 99.961 251.961	150 0.0009	57.466 -5.414 0.230			Vel = 1.53
UG3 to UGT	110 110		-11.21 55.99	8 8.27	G T	6.326 55.354	70.000 61.680 131.680	140 0	52.282 0.0 0.004			Vel = 0.33
UGT			0.0 55.99						52.286			K Factor = 7.74
UG3 to UG4	110 110		11.21 11.21	8 8.27	4F	56.936	416.000 56.936 472.936	140 0	52.282 0.0 0.001			Vel = 0.07
UG4 to UG5	110 110		0.0 11.21	8 8.27	F 2T	14.234 110.709	948.000 124.943 1072.943	140 0	52.283 0.0 0.002			Vel = 0.07
UG5 to UGT	110 110		0.0 11.21	8 8.27	T	55.354	980.000 55.354 1035.354	140 0	52.285 0.0 0.001			Vel = 0.07
UGT to TEST	110 110		55.99 67.2	8 8.27	G T	6.326 55.354	15.000 61.680 76.680	140 0	52.286 0.0 0.003			Vel = 0.40
TEST			0.0 67.20						52.289			K Factor = 9.29



Hydraulic Calculations by HydraCALC

SUMMIT FIRE & SECURITY
1731 Roundrock Dr
Raleigh NC 27615
919-872-3250

Job Name : FAIRWAY POINTE BLDG 4&5
Drawing : FP4
Location : BLDG 16 UNIT 301- LIVING ROOM
Remote Area : RA2
Contract : 1-5046-00297
Data File : BLDG 5 L3 UNIT.WXF

HYDRAULIC CALCULATIONS
for

JOB NAME FAIRWAY POINTE BLDG 4&5
Location BLDG 16 UNIT 301- LIVING ROOM
Drawing # FP4
Contract # 1-5046-00297
Date 7/11/23

DESIGN

Remote area # RA2
Remote area location BLDG 5 LEVEL 3 LIVING ROOM - UNIT 301
Occupancy classification 13R
Density 0.05 - Gpm/SqFt
Area of application ENTIRE - SqFt
Coverage/sprinkler VARIES - SqFt
Type of sprinkler calculated RES. PEND
Sprinklers calculated 3
In-rack demand - GPM
Hose streams - GPM
Total water required (including hose streams) 66.9868 - GPM @ 81.9917 - Psi
Type of system WET
Volume of system (dry or pre-action) - Gal

WATER SUPPLY INFORMATION

Test date 4/5/23
Location GALLERY DR
Source of info SUMMIT FIRE & SECURITY

CONTRACTOR INFO SUMMIT FIRE & SECURITY

Address 1731 Roundrock Dr / Raleigh NC 27615
Phone # 919-872-3250
Name of designer I. BURROWS
Authority having jurisdiction HARNETT COUNTY
NOTES:

text1(35) - invisible

Water Supply Curve

SUMMIT FIRE & SECURITY
FAIRWAY POINTE BLDG 4&5

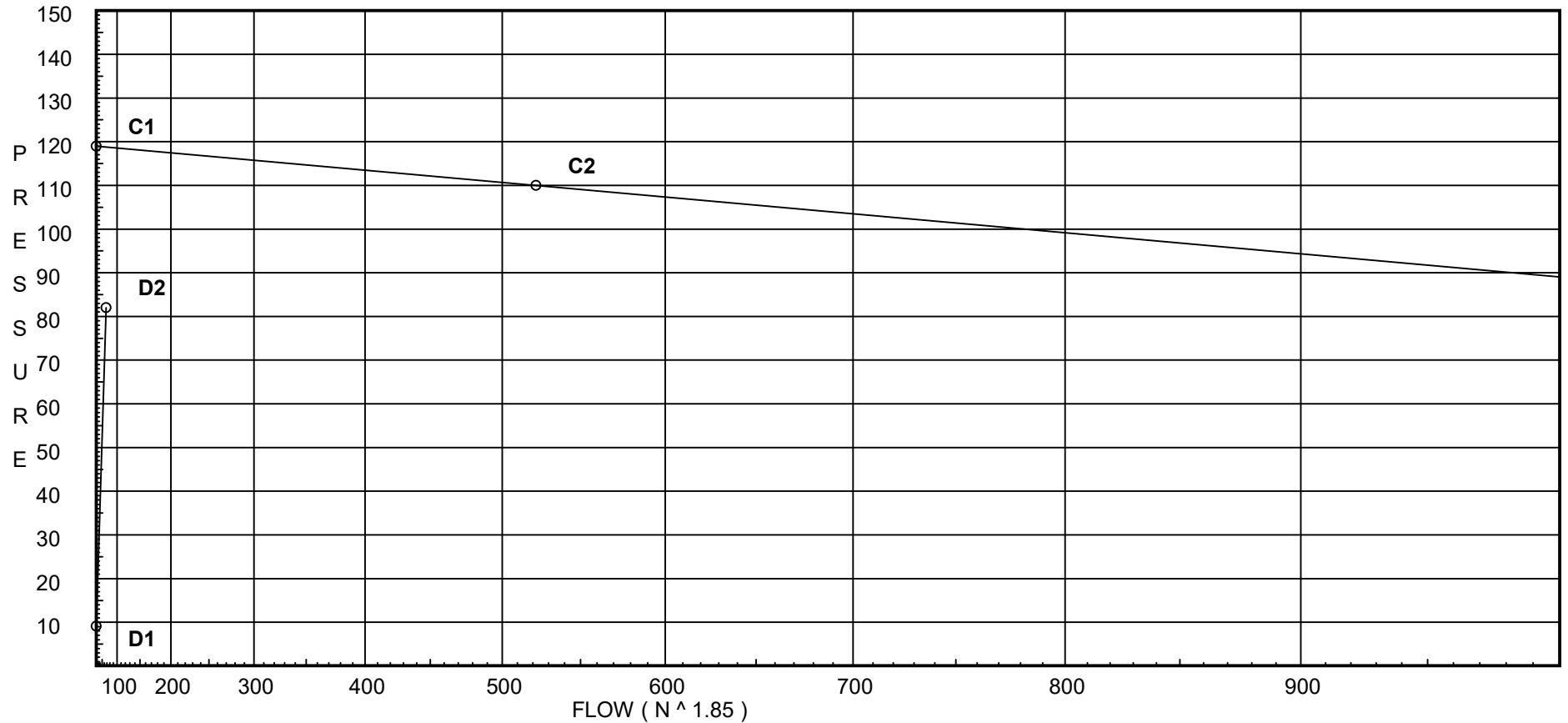
Page 2
Date 7/11/23

City Water Supply:

C1 - Static Pressure : 119
C2 - Residual Pressure: 110
C2 - Residual Flow : 522

Demand:

D1 - Elevation : 9.095
D2 - System Flow : 66.987
D2 - System Pressure : 81.992
Hose (Demand) : _____
D3 - System Demand : 66.987
Safety Margin : 36.807



Fittings Used Summary

SUMMIT FIRE & SECURITY
FAIRWAY POINTE BLDG 4&5

Page 3
Date 7/11/23

Fitting Legend

Abbrev.	Name	1/2	3/4	1	1 1/4	1 1/2	2	2 1/2	3	3 1/2	4	5	6	8	10	12	14	16	18	20	24
E	NFPA 13 90' Standard Elbow	1	2	2	3	4	5	6	7	8	10	12	14	18	22	27	35	40	45	50	61
F	NFPA 13 45' Elbow	1	1	1	1	2	2	3	3	3	4	5	7	9	11	13	17	19	21	24	28
Fsp	Flow Switch Potter VSR	Fitting generates a Fixed Loss Based on Flow																			
G	NFPA 13 Gate Valve	0	0	0	0	0	1	1	1	1	2	2	3	4	5	6	7	8	10	11	13
N *	CPVC 90' Ell	0	4	5	6	7	9	12	13	0	0	0	0	0	0	0	0	0	0	0	0
O *	CPVC Branch Tee	0	3	5	6	8	10	12	15	0	0	0	0	0	0	0	0	0	0	0	0
T	NFPA 13 90' Flow thru Tee	3	4	5	6	8	10	12	15	17	20	25	30	35	50	60	71	81	91	101	121

Units Summary

Diameter Units Inches
 Length Units Feet
 Flow Units US Gallons per Minute
 Pressure Units Pounds per Square Inch

Note: Fitting Legend provides equivalent pipe lengths for fittings types of various diameters. Equivalent lengths shown are standard for actual diameters of Sched 40 pipe and CFactors of 120 except as noted with *. The fittings marked with a * show equivalent lengths values supplied by manufacturers based on specific pipe diameters and CFactors and they require no adjustment. All values for fittings not marked with a * will be adjusted in the calculation for CFactors of other than 120 and diameters other than Sched 40 per NFPA.

SUPPLY ANALYSIS

<i>Node at Source</i>	<i>Static Pressure</i>	<i>Residual Pressure</i>	<i>Flow</i>	<i>Available Pressure</i>	<i>Total Demand</i>	<i>Required Pressure</i>
TEST	119.0	110	522.0	118.798	66.99	81.992

NODE ANALYSIS

<i>Node Tag</i>	<i>Elevation</i>	<i>Node Type</i>	<i>Pressure at Node</i>	<i>Discharge at Node</i>	<i>Notes</i>	
S201	131.0	4.2	28.2	22.3	0.05	256
S202	131.0	4.2	27.4	21.98	0.05	320
S203	131.0	4.2	29.21	22.7	0.05	256
201	120.0		36.8			
202	120.0		35.91			
203	120.0		37.95			
M1	120.0		38.62			
M2	120.0		39.23			
X	120.0		46.78			
M3	120.0		38.85			
C	112.0		57.25			
TOR	112.0		62.14			
BKFL	105.0		68.49			
BASE	101.0		84.62			
UG1	101.0		85.02			
UG2	97.5		87.17			
UG3	110.0		81.98			
UG4	110.0		81.99			
UG5	110.0		81.99			
UGT	110.0		81.99			
TEST	110.0		81.99			

Final Calculations : Hazen-Williams

SUMMIT FIRE & SECURITY
FAIRWAY POINTE BLDG 4&5

Page 5
Date 7/11/23

Node1 to Node2	Elev1 Elev2	K Fact	Qa Qt	Nom Act	Fitting or Eqiv	Len	Pipe Ftngs Total	CFact Pf/Ft	Pt Pe Pf	*****	Notes	*****
S201 to 201	131 120	4.20	22.30 22.3	0.75 0.874	N	4.0	11.000 4.000 15.000	150 0.2563	28.195 4.764 3.844		Vel = 11.93	
201			0.0 22.30						36.803		K Factor = 3.68	
S202 to 202	131 120	4.20	21.98 21.98	0.75 0.874	N	4.0	11.000 4.000 15.000	150 0.2495	27.400 4.764 3.743		Vel = 11.75	
202			0.0 21.98						35.907		K Factor = 3.67	
S203 to 203	131 120	4.20	22.70 22.7	0.75 0.874	N	4.0	11.000 4.000 15.000	150 0.2648	29.212 4.764 3.972		Vel = 12.14	
203			0.0 22.70						37.948		K Factor = 3.68	
201 to M1	120 120		22.30 22.3	0.75 0.874	2O	6.0	1.083 6.000 7.083	150 0.2562	36.803 0.0 1.815		Vel = 11.93	
M1			0.0 22.30						38.618		K Factor = 3.59	
202 to M2	120 120		21.98 21.98	0.75 0.874	O N	3.0 4.0	6.333 7.000 13.333	150 0.2495	35.907 0.0 3.327		Vel = 11.75	
M2			0.0 21.98						39.234		K Factor = 3.51	
203 to M3	120 120		22.70 22.7	0.75 0.874	O	3.0	0.417 3.000 3.417	150 0.2646	37.948 0.0 0.904		Vel = 12.14	
M3			0.0 22.70						38.852		K Factor = 3.64	
M1 to M2	120 120		9.55 9.55	1 1.101	N	5.0	30.583 5.000 35.583	150 0.0173	38.618 0.0 0.616		Vel = 3.22	
M2 to X	120 120		21.98 31.53	1 1.101	N	5.0	42.791 5.000 47.791	150 0.1580	39.234 0.0 7.549		Vel = 10.63	
X to M3	120 120		-66.99 -35.46	1 1.101	N	5.0	35.417 5.000 40.417	150 -0.1962	46.783 0.0 -7.931		Vel = 11.95	
M3 to M1	120 120		22.71 -12.75	1 1.101	N	5.0	2.917 5.000 7.917	150 -0.0296	38.852 0.0 -0.234		Vel = 4.30	
M1			0.0 -12.75						38.618		K Factor = -2.05	
X to C	120 112		66.99 66.99	1 1.101			11.000 11.000	150 0.6367	46.783 3.465 7.004		Vel = 22.57	

Final Calculations : Hazen-Williams

SUMMIT FIRE & SECURITY
FAIRWAY POINTE BLDG 4&5

Page 6
Date 7/11/23

Node1 to Node2	Elev1 Elev2	K Fact	Qa Qt	Nom Act	Fitting or Eqiv	Len	Pipe Ftngs Total	CFact Pf/Ft	Pt Pe Pf	*****	Notes	*****
C to TOR	112 112		0.0 66.99	2 2.003	4N O	36.0 10.0	95.541 46.000 141.541	150 0.0345	57.252 0.0 4.888			Vel = 6.82
TOR			0.0 66.99						62.140			K Factor = 8.50
TOR to BKFL	112 105		66.99 66.99	2 2.067	Fsp	0.0	7.000 7.000	120 0.0447	62.140 6.032 0.313			** Fixed Loss = 3 Vel = 6.40
BKFL to BASE	105 101		0.0 66.99	2 2.067	E	5.0	4.000 5.000 9.000	120 0.0449	68.485 15.732 0.404			** Fixed Loss = 14 Vel = 6.40
BASE			0.0 66.99						84.621			K Factor = 7.28
BASE to UG1	101 101		66.99 66.99	2 1.985	E	6.204	5.000 6.203 11.203	150 0.0361	84.621 0.0 0.404			Vel = 6.95
UG1 to UG2	101 97.500		0.0 66.99	2 1.985	E G	6.204 1.241	10.000 7.444 17.444	150 0.0361	85.025 1.516 0.629			Vel = 6.95
UG2 to UG3	97.500 110		0.0 66.99	4 4.23	E 2T G	19.223 76.893 3.845	152.000 99.961 251.961	150 0.0009	87.170 -5.414 0.229			Vel = 1.53
UG3 to UGT	110 110		-11.18 55.81	8 8.27	G T	6.326 55.354	70.000 61.680 131.680	140 0	81.985 0.0 0.004			Vel = 0.33
UGT			0.0 55.81						81.989			K Factor = 6.16
UG3 to UG4	110 110		11.17 11.17	8 8.27	4F	56.936	416.000 56.936 472.936	140 0	81.985 0.0 0.001			Vel = 0.07
UG4 to UG5	110 110		0.0 11.17	8 8.27	F 2T	14.234 110.709	948.000 124.943 1072.943	140 0	81.986 0.0 0.001			Vel = 0.07
UG5 to UGT	110 110		0.0 11.17	8 8.27	T	55.354	980.000 55.354 1035.354	140 0	81.987 0.0 0.002			Vel = 0.07
UGT to TEST	110 110		55.82 66.99	8 8.27	G T	6.326 55.354	15.000 61.680 76.680	140 0	81.989 0.0 0.003			Vel = 0.40
TEST			0.0 66.99						81.992			K Factor = 7.40



Raleigh: 1731 Roundrock Drive | Raleigh, NC 27615 | Tel: 919.872.3250
www.SummitFireSecurity.com

4/5/2023

Test Date: 4/5/23

Time: 1:45 PM by Summit Fire & Security

Flow Location: Hydrant on Gallery Dr.

Residual Location: Hydrant on Gallery Dr.

Flow (GPM): 522 GPM

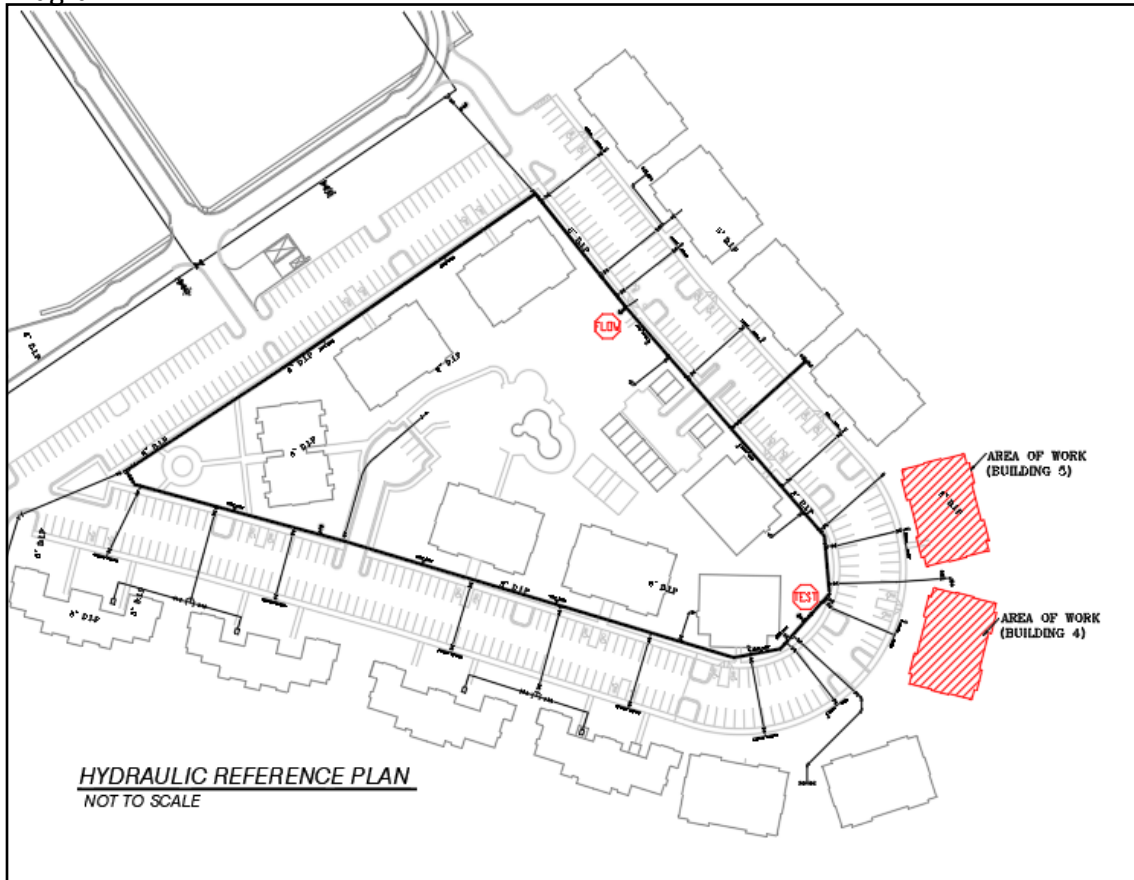
Static Pressure (PSI): 119

Residual Pressure (PSI): 110

Notes:

Underground is 8"

Diagram:





FC-PN175THD.2018.09.21.MA

1 3/4" PITOTLESS NOZZLE™

PN1.75THD - GPM FLOW CHART

THIS DEVICE IS FM APPROVED

The pressure vs. flow rate data developed within this flow chart is based on the average K-factor measured during laboratory testing. This data has been determined to be within the acceptable limitations for accuracy.

It is the user's responsibility to verify that the correct chart and column is being used.

HM2H | 2 1/2" Hose Monster Model II or Flusher with flow splitter (HM2H, HM2HF)

Use this column if the Pitotless Nozzle is connected to the 2 1/2" Hose Monster or Flusher. The built-in pitot or flow splitter must be installed for accuracy.

OA | Open Atmosphere - Use this column when the Pitotless Nozzle is connected directly to a test header or hydrant flowing openly to atmosphere.

Find this flow chart and other resources at:
hosemonster.com/resources

GET THE MOST OUT OF YOUR HOSE MONSTER™ HARDWARE

FIRE PUMP TESTING SOFTWARE

Professional-grade software that helps you work better! Keep your reports clean, your results accurate, and your process streamlined with Hose Monster's FPT Software.

Learn more at: www.hosemonster.com/fpts

	HM2H	OA		HM2H	OA		HM2H	OA
PSI	GPM	GPM	PSI	GPM	GPM	PSI	GPM	GPM
5.2*		250	36	640	658	64	853	878
5.7*	250		37	648	667	65	859	884
10	337	347	38	657	676	66	866	891
11	354	364	39	666	685	67	873	898
12	369	380	40	674	694	68	879	905
13	384	396	41	683	702	69	885	911
14	399	410	42	691	711	70	892	918
15	413	425	43	699	719	71	898	924
16	426	439	44	707	728	72	905	931
17	440	452	45	715	736	73	911	937
18	452	465	46	723	744	74	917	944
19	465	478	47	731	752	75	923	950
20	477	491	48	739	760	76	929	956
21	489	503	49	746	768	77	935	963
22	500	515	50	754	776	78	941	969
23	511	526	51	761	783	79	947	975
24	522	537	52	769	791	80	953	981
25	533	549	53	776	799			
26	544	559	54	783	806			
27	554	570	55	791	814			
28	564	580	56	798	821			
29	574	591	57	805	828			
30	584	601	58	812	835			
31	594	611	59	819	843			
32	603	621	60	826	850			
33	612	630	61	833	857			
34	622	640	62	839	864			
35	631	649	63	846	871			

* Special flow rate point determined to be within the acceptable limitations of accuracy.



HOSE MONSTER
COMPANY

(888) 202-9987 (847) 434-0073 Service@FlowTest.com www.HoseMonster.com

MANUFACTURED BY THE HOSE MONSTER™ COMPANY