

ARCHITECT
THE DIMENSION GROUP

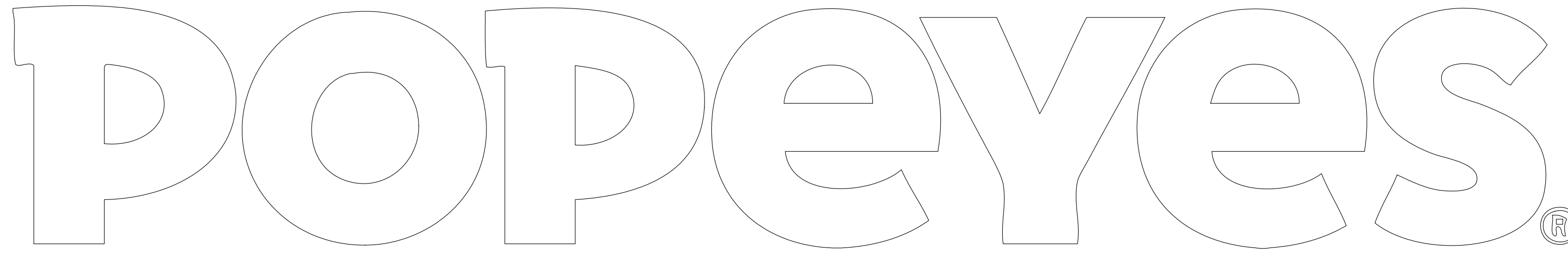
TANNER KINDE
 5600 S QUEBEC
 DENVER, CO 80111
 (720) 536-3810
 TKINDE@DIMENSIONGROUP.COM

MECHANICAL/ENGINEER
THE DIMENSION GROUP

AFSAR HASAN, PE
 10755 SANDHILL ROAD
 DALLAS, TX. 75238
 (913) 262-1772
 JGUNLOCK@DIMENSIONGROUP.COM

STUCTURAL ENGINEER
LALONDE ENGINEERING

PHILLIP LALONDE
 6617 RED BUD RD
 FORT WORTH TX, 76135
 (817) 238-1520
 PLALONDE@LALONDE-ENG.COM

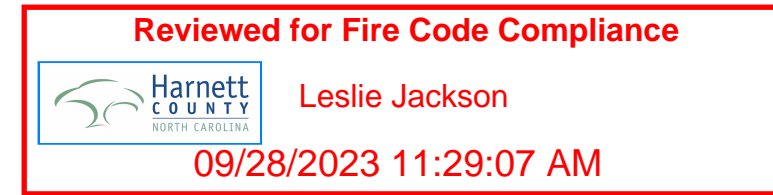


LOUISIANA KITCHEN

2112 PROTOTYPE

1517 NC 24-87

CAMERON, NC 28326

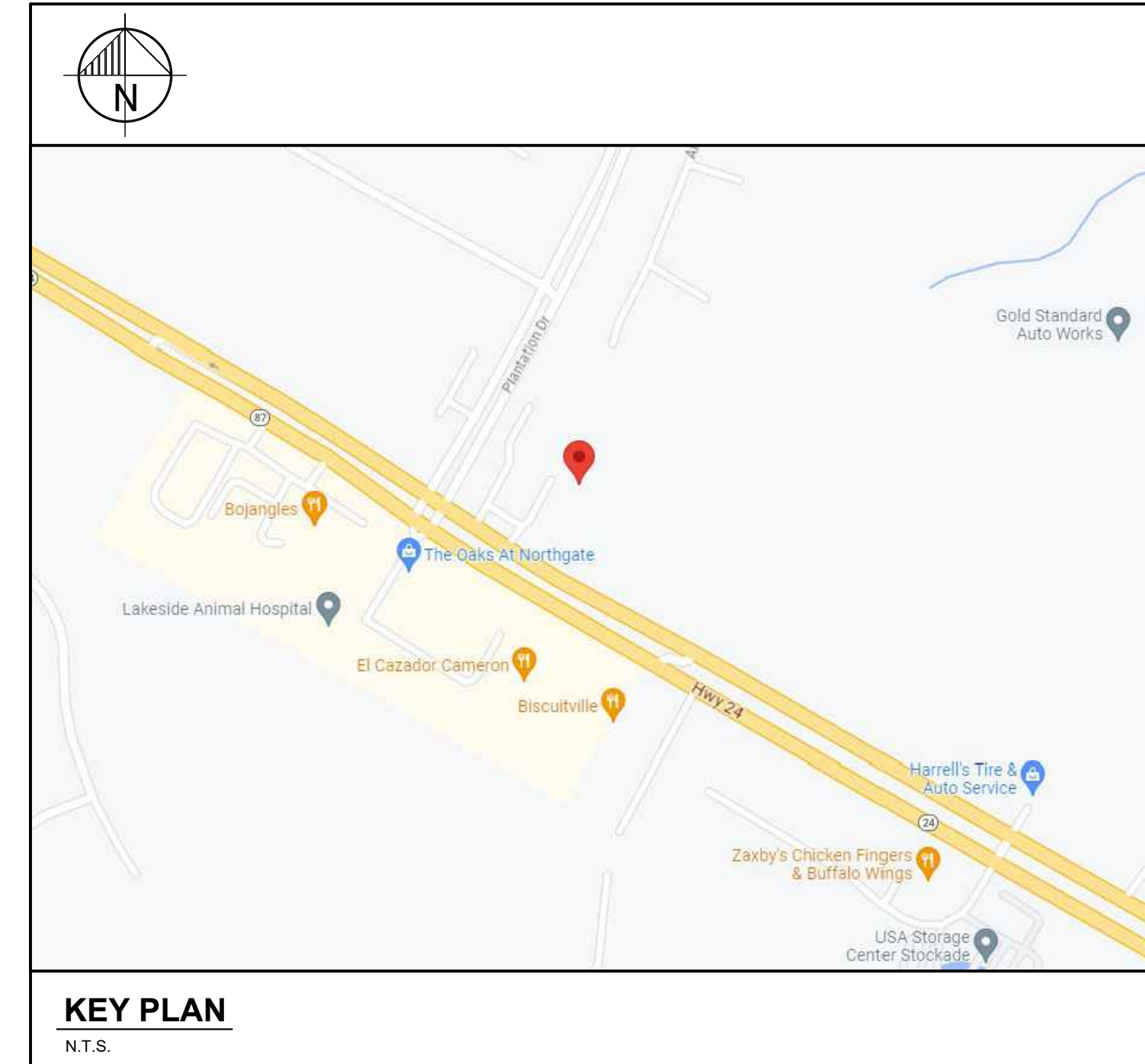


ABBREVIATIONS

BOH:	BACK OF HOUSE
C/W:	COMPLETE WITH
CL:	CENTER LINE
CONC:	CONCRETE
CPM:	CONSTRUCTION PROJECT MANAGER
EQ:	EQUAL
FOH:	FRONT OF HOUSE
G.C:	GENERAL CONTRACTOR
MAX.:	MAXIMUM
MIN.:	MINIMUM
N/A:	NOT APPLICABLE
O.C:	ON CENTER
P-LAM:	PLASTIC LAMINATE
S.F.C:	STORE FIXTURE COMPANY SPECIFICATION
T/O:	TOP OF
TBD:	TO BE DETERMINED
TYP.:	TYPICAL
U/S:	UNDERSIDE
WRM:	WASHROOM

CODE INFORMATION

FIRM NAME: THE DIMENSION GROUP																																					
NAME OF PROJECT: POPEYES - 2112 MODEL																																					
LOCATION: ADDRESS 84-87, CAMERON, NC																																					
THE ARCHITECT NOTED ABOVE HAS EXERCISED RESPONSIBLE CONTROL WITH RESPECT TO DESIGN ACTIVITIES.																																					
1 APPLICABLE CODES	BUILDING: 2018 INTERNATIONAL BUILDING CODE PLUMBING: 2018 INTERNATIONAL PLUMBING CODE FIRE: 2018 INTERNATIONAL FIRE CODE MECHANICAL: 2018 INTERNATIONAL MECHANICAL CODE ELECTRICAL: 2020 NATIONAL ELECTRICAL CODE ACCESSIBILITY: ICC / ANSI A117.1 2009 ENERGY: 2018 INTERNATIONAL ENERGY CONSERVATION CODE																																				
2 ZONING CLASSIFICATION	CL-COMMERCIAL																																				
3 OCCUPANCY CLASSIFICATION	MIXED USE A-2 - (ASSEMBLY) & B - (BUSINESS)																																				
4 CONSTRUCTION TYPE	NONCOMBUSTIBLE MATERIALS, UNPROTECTED																																				
5 BUILDING AREA	ALLOWED: 6000 SQ FT PROVIDED: 1965 SQ FT																																				
6 BUILDING HEIGHT	ALLOWED: 40' 0" HIGH PROVIDED: 19' 0" HIGH																																				
7 SCOPE OF WORK STATEMENT	NEW BUILD, CONSTRUCTION																																				
8 OCCUPANCY CALCULATIONS	<table border="1"> <thead> <tr><th>FLOOR</th><th>USE</th><th>SQUARE FOOTAGE</th><th>OCCUPANT LOAD FACTOR</th><th>NUMBER OF OCCUPANTS</th><th>NUMBER OF SEATS</th></tr> </thead> <tbody> <tr><td>1 OF 1</td><td>DINING (UNCONCENTRATED)</td><td>224 SQ. FT.</td><td>1: 15</td><td>15</td><td>3</td></tr> <tr><td>1 OF 1</td><td>DINING (STANDING)</td><td>59 SQ. FT.</td><td>1: 15</td><td>4</td><td>-</td></tr> <tr><td>1 OF 1</td><td>KITCHEN</td><td>1100 SQ. FT.</td><td>1: 200</td><td>6</td><td>-</td></tr> <tr><td>1 OF 1</td><td>UNOCCUPIED AREAS</td><td>342 SQ. FT.</td><td>-</td><td>-</td><td>-</td></tr> <tr><td colspan="5">TOTAL NUMBER OF OCCUPANTS:</td><td>25</td></tr> </tbody> </table> <p>* UNOCCUPIED AREAS INCLUDE: WALK-IN FREEZER/COOLER, WALLS, CANOPIES / OVERHANGS, WASHROOM, VESTIBULE, VESTIBULE AND RESTROOMS</p>	FLOOR	USE	SQUARE FOOTAGE	OCCUPANT LOAD FACTOR	NUMBER OF OCCUPANTS	NUMBER OF SEATS	1 OF 1	DINING (UNCONCENTRATED)	224 SQ. FT.	1: 15	15	3	1 OF 1	DINING (STANDING)	59 SQ. FT.	1: 15	4	-	1 OF 1	KITCHEN	1100 SQ. FT.	1: 200	6	-	1 OF 1	UNOCCUPIED AREAS	342 SQ. FT.	-	-	-	TOTAL NUMBER OF OCCUPANTS:					25
FLOOR	USE	SQUARE FOOTAGE	OCCUPANT LOAD FACTOR	NUMBER OF OCCUPANTS	NUMBER OF SEATS																																
1 OF 1	DINING (UNCONCENTRATED)	224 SQ. FT.	1: 15	15	3																																
1 OF 1	DINING (STANDING)	59 SQ. FT.	1: 15	4	-																																
1 OF 1	KITCHEN	1100 SQ. FT.	1: 200	6	-																																
1 OF 1	UNOCCUPIED AREAS	342 SQ. FT.	-	-	-																																
TOTAL NUMBER OF OCCUPANTS:					25																																
9 EGRESS CALCULATION	<table border="1"> <thead> <tr><th>TOTAL OCCUPANTS</th><th>CALCULATED MIN. EGRESS (1005.1)</th><th>MIN. EGRESS WIDTH REQUIRED (32" MIN.)</th><th>TOTAL EGRESS WIDTH PROVIDED</th></tr> </thead> <tbody> <tr><td>25</td><td>30' x .25 = .40"</td><td>(32" MIN.)</td><td>114"</td></tr> </tbody> </table>	TOTAL OCCUPANTS	CALCULATED MIN. EGRESS (1005.1)	MIN. EGRESS WIDTH REQUIRED (32" MIN.)	TOTAL EGRESS WIDTH PROVIDED	25	30' x .25 = .40"	(32" MIN.)	114"																												
TOTAL OCCUPANTS	CALCULATED MIN. EGRESS (1005.1)	MIN. EGRESS WIDTH REQUIRED (32" MIN.)	TOTAL EGRESS WIDTH PROVIDED																																		
25	30' x .25 = .40"	(32" MIN.)	114"																																		
10 EXITS	TOTAL REQUIRED: 3 TOTAL PROVIDED: 3 EGRESS WIDTH PER EXIT: 44" CLEAR																																				
11 FIRE RESISTIVE REQUIREMENTS	LOSS OF ONE REQUIRED MEANS OF EGRESS SHALL NOT REDUCE THE EGRESS CAPACITY TO LESS THAN 50% OF REQUIRED EXTERIOR BEARING WALL: (0 HOUR) ROOF CONSTRUCTION: (0 HOUR) CEILING: (0 HOUR)																																				
12 SPRINKLER SYSTEM	ENTIRE BUILDING (EXISTING) _____ IN LIEU OF ROOF RATING BASEMENT ONLY _____ NOT REQUIRED																																				
13 FIRE ALARM	NOT REQUIRED																																				
14 MAX. TRAVEL DISTANCE	200' (250' WITH SPRINKLER SYSTEM)																																				
15 PLUMBING REQUIREMENT	<table border="1"> <tr><td>WATER CLOSETS</td><td>1 REQUIRED</td></tr> <tr><td>LAVATORIES</td><td>1 REQUIRED</td></tr> <tr><td>URINALS</td><td>NOT REQUIRED</td></tr> <tr><td>DRINKING FOUNTAIN</td><td>NOT REQUIRED</td></tr> <tr><td>PUBLIC ACCESS</td><td>PROVIDED</td></tr> <tr><td>UNISEX IS PERMITTED</td><td>YES</td></tr> </table>	WATER CLOSETS	1 REQUIRED	LAVATORIES	1 REQUIRED	URINALS	NOT REQUIRED	DRINKING FOUNTAIN	NOT REQUIRED	PUBLIC ACCESS	PROVIDED	UNISEX IS PERMITTED	YES																								
WATER CLOSETS	1 REQUIRED																																				
LAVATORIES	1 REQUIRED																																				
URINALS	NOT REQUIRED																																				
DRINKING FOUNTAIN	NOT REQUIRED																																				
PUBLIC ACCESS	PROVIDED																																				
UNISEX IS PERMITTED	YES																																				



KEY PLAN

N.T.S.

CONTRACTORS

CONTRACTORS ARE TO CONTACT THE CONSTRUCTION PROJECT MANAGER AS INDICATED IN THE WRITTEN SCOPE OF WORK FOR BIDDERS LIST. FOR APPROVED SUPPLIERS LIST, NATIONAL ACCOUNT PHONE NUMBERS AND CONTRACTORS REFER TO SPECIFICATION DRAWINGS.

PROJECT NO.: C22-129
POPEYES NO.: RN. xxxx

DRAWING LIST

CS	COVER PAGE	E1.6	ELECTRICAL FIRE ALARM PLAN
AS1.1	ARCHITECTURAL SITE PLAN	E2.1	ELECTRICAL SCHEDULES
AS2.1	MENU SIGN DETAILS SINGLE DOUBLE DRIVE-THRU	E3.1	ELECTRICAL DETAILS
AS2.2	SITE DETAILS - TRASH ENCLOSURE WOOD	E4.1	ELECTRICAL ENERGY CALCS
AS2.3	SITE DETAILS		
AS2.4	LIFE SAFETY & EXITING PLAN	M1.1	MECHANICAL PLAN
A1	FLOOR PLAN AND SCHEDULES	M1.2	MECHANICAL ROOF PLAN
A2	EQUIPMENT PLAN AND SCHEDULES	M2.1	MECHANICAL SCHEDULE
A3	REFLECTED CEILING PLAN & DETAILS	M3.1	MECHANICAL HOOD DRAWINGS
A4	ROOF PLAN AND DETAILS	M3.2	MECHANICAL HOOD DRAWINGS
A4.1	ROOF DETAILS	M3.3	MECHANICAL HOOD DRAWINGS
A5	EXTERIOR ELEVATIONS	M3.4	MECHANICAL HOOD DRAWINGS
A5.1	EXTERIOR ELEVATIONS	M4.1	MECHANICAL HOOD DRAWINGS
A6	BUILDING SECTIONS		
A6.1	WALL SECTIONS	P1.1	PLUMBING SCHEDULES AND NOTES
A6.2	WALL SECTIONS	P2.1	PLUMBING PLAN - SANITARY WASTE & VENT
A6.3	WALL SECTIONS	P2.2	PLUMBING PLAN - DOMESTIC WATER
A7	SECTION DETAILS	P2.3	PLUMBING PLAN - ROOF DRAINS
A7.1	PLAN DETAILS	P3.1	PLUMBING RISERS
A8	DETAILS	P4.1	PLUMBING DETAILS
A9	INTERIOR ELEVATIONS	P4.2	PLUMBING DETAILS
A9.1	INTERIOR ELEVATIONS		
A9.2	INTERIOR ELEVATIONS	SP1	ARCHITECTURAL SPECIFICATIONS
A9.3	WASHROOM DETAILS	SP2	ARCHITECTURAL SPECIFICATIONS
A10	TILE PLAN AND FINISHING SCHEDULE	SP3	ARCHITECTURAL SPECIFICATIONS
A11	DOOR AND WINDOW SCHEDULES	SP4	ARCHITECTURAL SPECIFICATIONS
A12	FINISH SCHEDULE	SP5	ARCHITECTURAL SPECIFICATIONS
A12.1	FINISH SCHEDULE	SP6	ARCHITECTURAL SPECIFICATIONS
A12.2	FINISH SCHEDULE	SP7	ARCHITECTURAL SPECIFICATIONS
A12.3	FINISH SCHEDULE		
S0.1	STRUCTURAL NOTES	ES.1	ELECTRICAL SPECIFICATIONS
S1.1	FOUNDATION PLAN	ES.2	ELECTRICAL SPECIFICATIONS
S1.2	STRUCTURAL FOUNDATION SECTIONS	MS1.1	MECHANICAL SPECIFICATIONS
S2.1	FRAMING PLAN		
S2.2	STRUCTURAL FRAMING SECTIONS	PS1.1	PLUMBING SPECIFICATIONS
ES1	ELECTRICAL SITE PLAN		
E1.0	ELECTRICAL GENERAL NOTES AND LEGEND		
E1.1	ELECTRICAL LIGHTING PLAN		
E1.2	ELECTRICAL POWER PLAN		
E1.3	ELECTRICAL ROOF PLAN		
E1.4	ELECTRICAL LOW VOLTAGE PLAN		
E1.5	ELECTRICAL SECURITY PLAN		

ISSUE TABLE		
No.	Date (mm/dd/yy)	Description

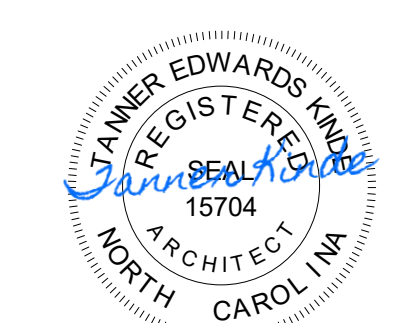
REVISIONS		
No.	Date	Description
1	8/01/2023	RESPONSE TO CITY
2	9/04/2023	HEALTH COMMENTS
3	9/12/2023	RESPONSE TO CITY
4	9/12/2023	HEALTH COMMENTS

DRAWINGS REVISED AS PER DESIGN BULLETIN		
No.	Date	Description

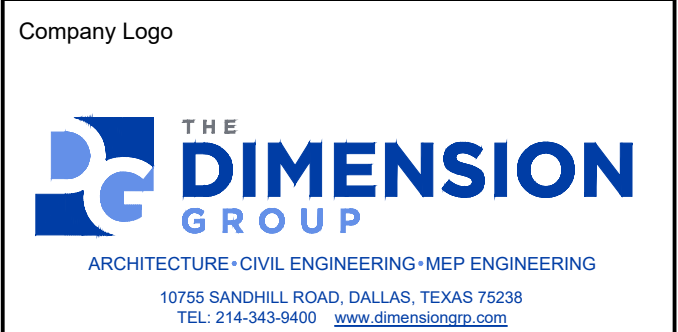


THIS DRAWING IS OWNED BY OR LICENSED FOR USE BY POPEYES LOUISIANA KITCHEN (OR ITS AFFILIATED OR RELATED COMPANIES) AND MAY NOT BE REPRODUCED, USED, DOWNLOADED, DISSEMINATED, PUBLISHED OR TRANSMITTED IN ANY FORM OR BY ANY MEANS, EXCEPT WITH THE PRIOR WRITTEN CONSENT OF POPEYES LOUISIANA KITCHEN. COPYRIGHT INFRINGEMENT IS A VIOLATION OF FEDERAL LAW SUBJECT TO CRIMINAL AND CIVIL PENALTIES.

THE CONTRACTOR IS TO VERIFY ALL DIMENSIONS AND CONDITIONS ON THE PROJECT AND TO REPORT ANY DISCREPANCIES TO THE POPEYES LOUISIANA KITCHEN REPRESENTATIVE PRIOR TO COMMENCING WORK. THESE DRAWINGS ARE NOT TO BE USED FOR CONSTRUCTION PURPOSES UNLESS INDICATED BY POPEYES LOUISIANA KITCHEN AS "ISSUED FOR CONSTRUCTION".



9.14.2023



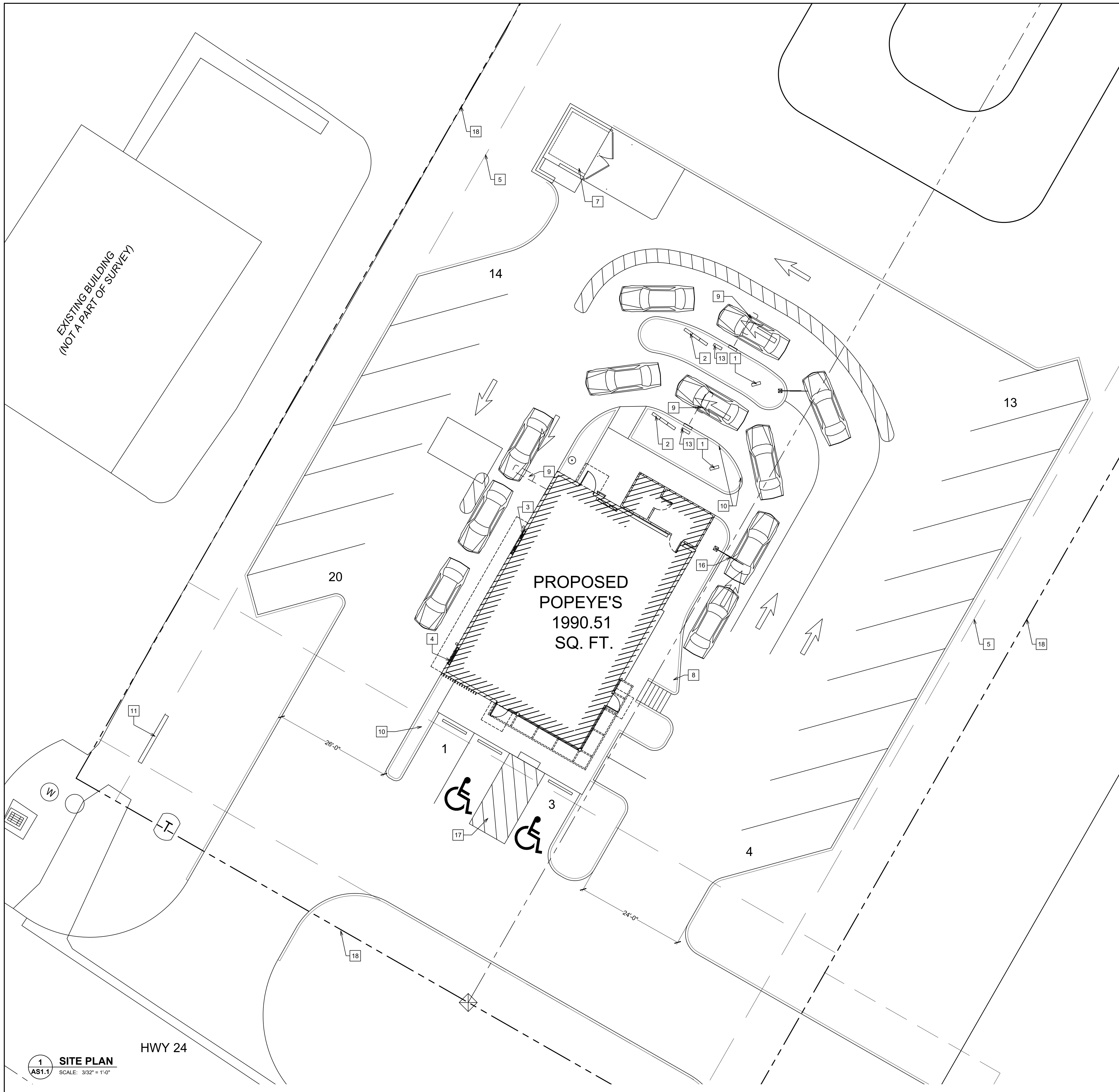
Store Type: US 2112 PROTOTYPE
2112-21

Location: 1517 NC 24-87
CAMERON, NC

Drawing Title: COVER SHEET

Drawn: SH	Checked: AL
Scale: NTS	Date: JUNE 2023
Project No.: C22-129	Drawing No.: CS

POPEYES LOUISIANA KITCHEN MODEL 2112, 1517 NC 24-87, CAMERON, NC (JUNE 01, 2023) STORE NO. C22-129



NOTES

- 1 DT DIGITAL PRE-SELL MENU BOARD LOCATION. SEE DETAILS ON SHEET AS2.1.
- 2 DT DIGITAL MENU BOARD LOCATION. SEE DETAILS ON SHEET AS2.1.
- 3 POPEYE'S RESTAURANT DRIVE THRU WINDOW LOCATION. SEE FLOOR PLAN ON SHEET A1 FOR ADDITIONAL INFORMATION.
- 4 6" STEEL PIPE BOLLARD AT PULL-UP WINDOW. SEE DETAIL 13/AS2.3, FLOOR PLAN A1 AND EXTERIOR ELEVATIONS AS SERIES.
- 5 10' PAVEMENT SETBACK
- 6 APPROXIMATE LOCATION OF GREASE INTERCEPTOR BELOW SITE PAVING. COORDINATE WITH PLUMBING & CIVIL DRAWINGS.
- 7 POPEYE'S DUMPSTER ENCLOSURE. COORDINATE EXACT LOCATION WITH CIVIL DRAWINGS. REFER TO ARCHITECTURAL SITE DETAILS AS2.2 FOR CONSTRUCTION.
- 8 SIDEWALK / SLAB. REFER TO CIVIL SITE PLAN DRAWINGS FOR LOCATION AND DIMENSIONS.
- 9 VEHICLE LOOP. REFER TO DETAIL 5/AS2.1.
- 10 ALL PATIO AND LANDSCAPE DESIGN BY CIVIL ENGINEER TO BE APPROVED BY POPEYE'S DESIGN.
- 11 PYLON / MONUMENT SIGN / SIGN BASE. REFER TO POPEYES SIGNAGE PACKAGE FOR DETAIL.
- 12 SITE SIGNAGE. REFER TO DETAIL 9/AS2.1 AND SIGNAGE PACKAGE BY POPEYES FOR DETAILS.
- 13 SPEAKER POST. REFER TO DETAILS ON SHEET AS2.1.
- 14 DRIVE THRU CANOPY. REFER TO POPEYES SIGNAGE DRAWINGS.
- 15 SITE PLAN LIGHTING. REFER TO CIVIL SITE PLAN DRAWINGS FOR LOCATION AND DIMENSIONS. REFER TO DETAIL 1/AS2.1.
- 16 HEIGHT RESTRICTION BAR. REFER TO POPEYES SIGNAGE DRAWINGS.
- 17 PEDESTRIAN WALKWAY. DESIGN BY CIVIL ENGINEER TO BE APPROVED BY POPEYE'S DESIGN.
- 18 PROPERTY LINE REFER TO CIVIL SITE PLAN DRAWINGS

GENERAL NOTES

ARCHITECTURAL SITE PLAN IS TO BE USED FOR GUIDELINE REFERENCE ONLY. ALL SITE SPECIFIC INFORMATION AND REQUIREMENTS IS TO BE COORDINATED WITH ARCHITECT, MECHANICAL/ELECTRICAL AND CIVIL ENGINEER OF RECORD. CIVIL ENGINEER/ARCHITECT TO PROVIDE POPEYE'S DESIGN COMPLETE CIVIL PACKAGE WITH LANDSCAPE PLAN FOR APPROVALS.

PYLON SIGN AT MAIN STREET. REFER TO LOCAL AUTHORITIES FOR PERMITS AND APPROVALS. *DIGITAL MENU BOARDS AND PREVIEW BOARDS ARE REQUIRED FOR ALL SITES.* *LED LOT LIGHTING IS REQUIRED ON ALL SITES*

ISSUE TABLE		
No.	Date (mm/dd/yyyy)	Description

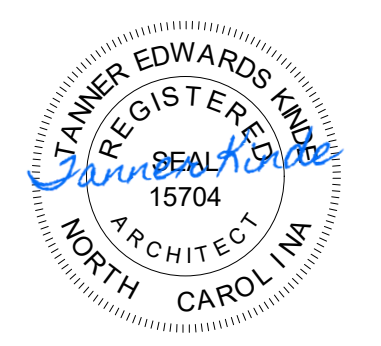
REVISIONS		
No.	Date	Description
1	8/01/2023	RESPONSE TO CITY

DRAWINGS REVISED AS PER DESIGN BULLETIN		
No.	Date	Description



THIS DRAWING IS OWNED BY OR LICENSED FOR USE BY POPEYE'S LOUISIANA KITCHEN (OR ITS AFFILIATED OR RELATED COMPANIES) AND MAY NOT BE REPRODUCED, USED, DOWNLOADED, DISSEMINATED, PUBLISHED OR TRANSFERRED IN ANY FORM OR BY ANY MEANS, EXCEPT WITH THE PRIOR WRITTEN CONSENT OF POPEYE'S LOUISIANA KITCHEN. COPYRIGHT INFRINGEMENT IS A VIOLATION OF FEDERAL LAW SUBJECT TO CRIMINAL AND CIVIL PENALTIES.

THE CONTRACTOR IS TO VERIFY ALL DIMENSIONS AND CONDITIONS ON THE PROJECT AND TO REPORT ANY DISCREPANCIES TO THE POPEYE'S LOUISIANA KITCHEN REPRESENTATIVE PRIOR TO COMMENCING WORK. THESE DRAWINGS ARE NOT TO BE USED FOR CONSTRUCTION PURPOSES UNLESS INDICATED BY POPEYE'S LOUISIANA KITCHEN AS "ISSUED FOR CONSTRUCTION."



9.14.2023

Company Logo

Project

Store Type
US 2112 PROTOTYPE
2112-21

Location
**1517 NC 24-87
CAMERON, NC**

Drawing Title
**ARCHITECTURAL
SITE PLAN**

Drawn	SH	Checked	AL
Scale	AS NOTED	Date	JUNE 2023
Project No.	C22-129	Drawing No.	AS1.1

1 SITE PLAN
AS1.1 SCALE: 3/32" = 1'-0"

HWY 24

POPEYE'S LOUISIANA KITCHEN MODEL 2112, 1517 NC 24-87, CAMERON, NC (JUNE 01, 2023) STORE NO. C22-129

CRITICAL NOTES

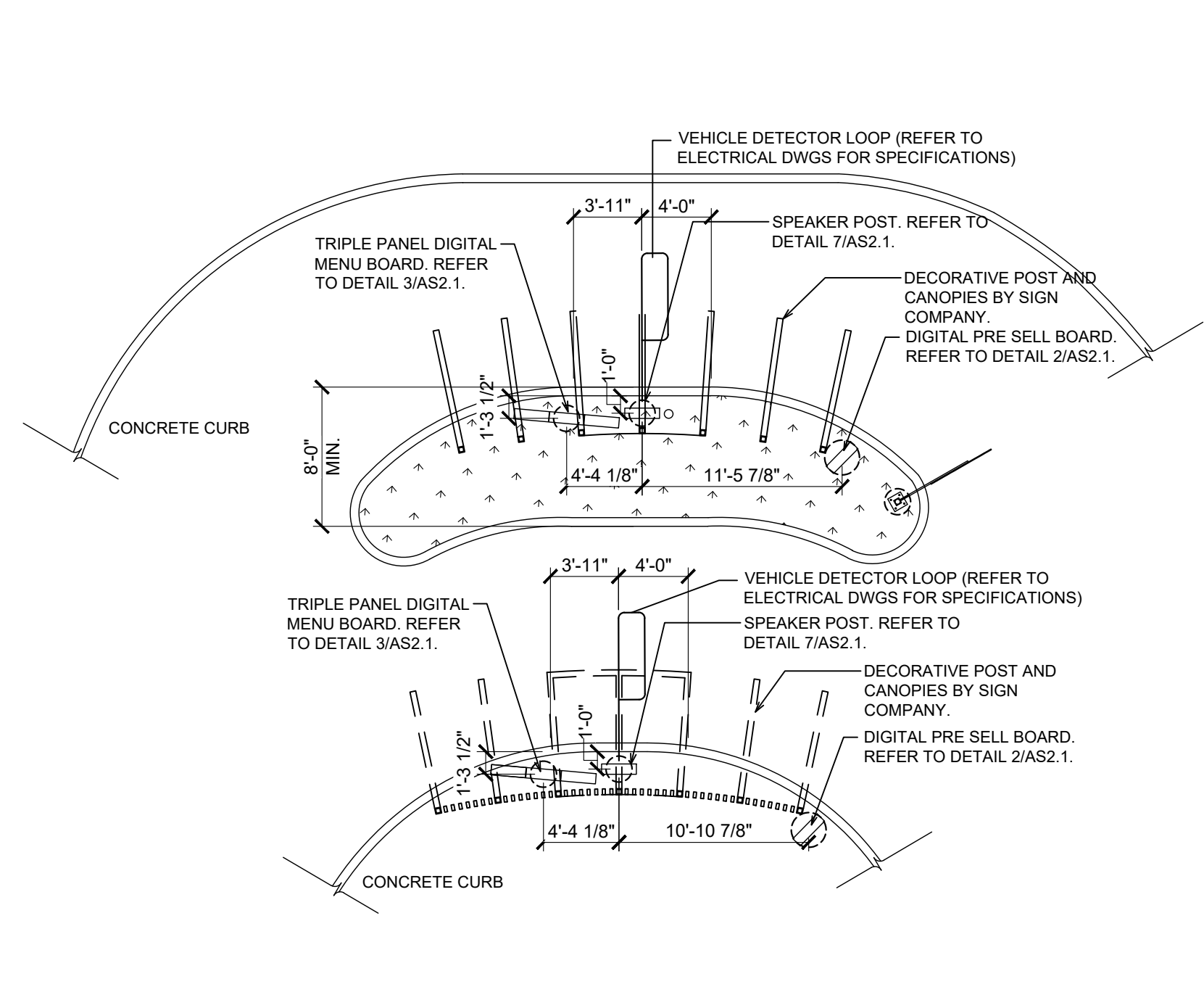
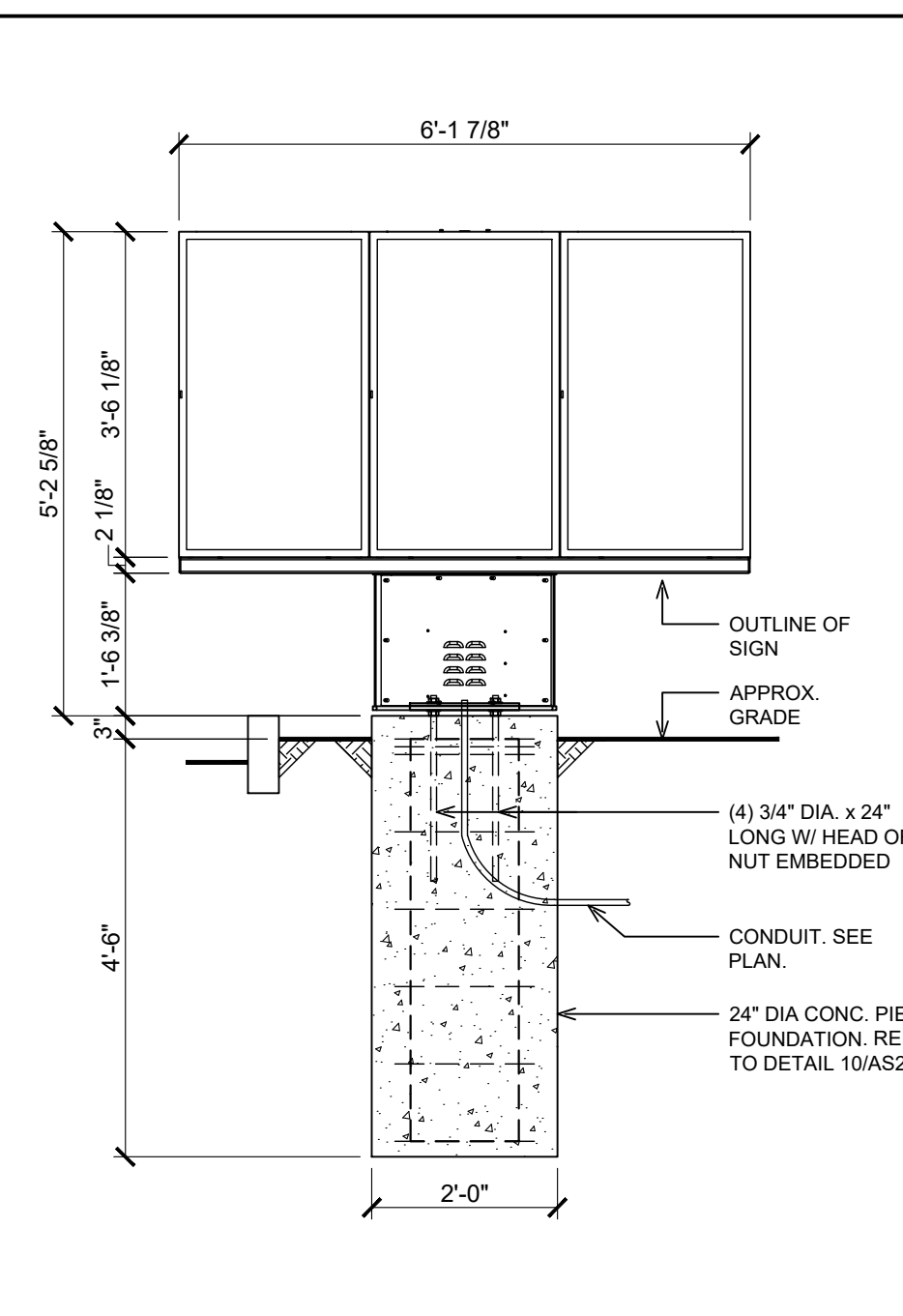
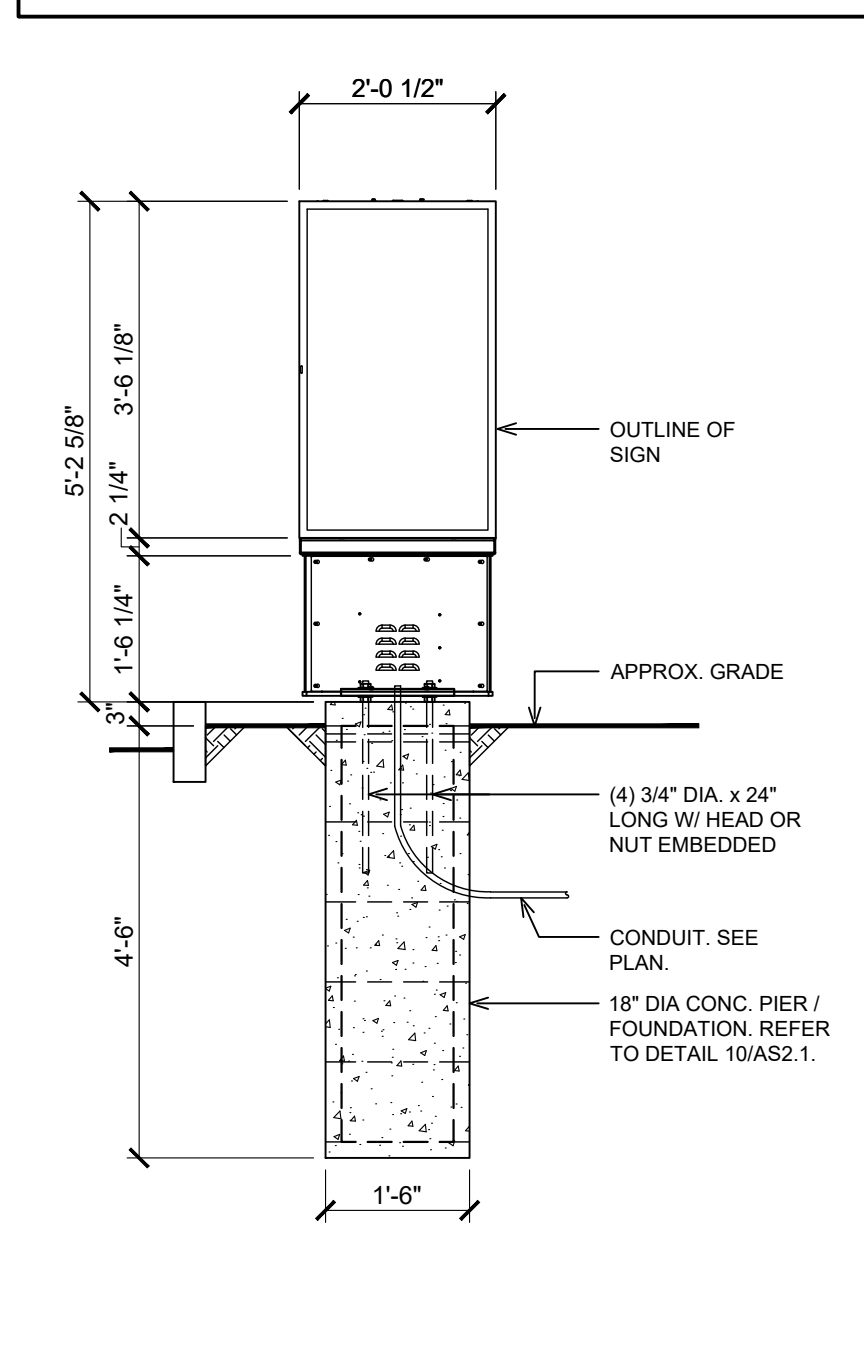
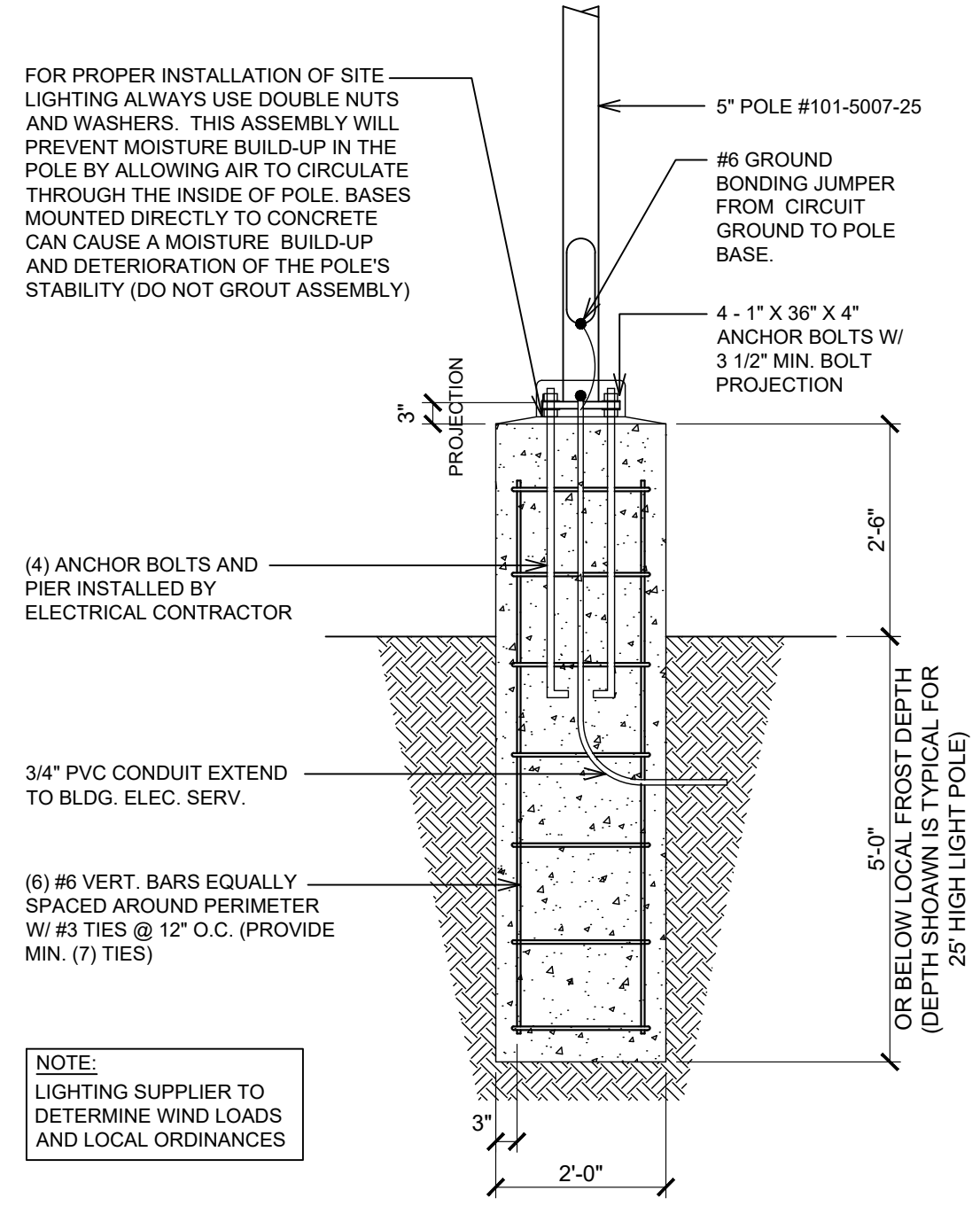
ODMB, SPEAKER POST AND PRESELL MENU BOARD ALL PROVIDED BY OWNER. SHIPPED TO SITE FROM VENDOR TO BE ORDERED 12 WEEKS AHEAD OF INSTALL.

INSTALLED AND SCHEDULED BY OWNER / VENDOR. INSTALL TO BE SCHEDULE A MIN OF 4 WEEKS BEFORE DESIRED DATE

FOUNDATION, DATA AND ELECTRICAL BY CIVIL/GC.

ANCHOR BOLTS TO BE IN AN 8X8 PATTERN. INSTALL BY GC. TO BE COMPLETED PRIOR TO HAVING BW ON SITE

THESE DRAWINGS ARE INTENDED TO BE REVIEWED IN CONJUNCTION WITH THE ODMB INSTALL DETAILS. YOU CANNOT RELY ON THESE DRAWINGS ALONE FOR A SUCCESSFUL INSTALLATION

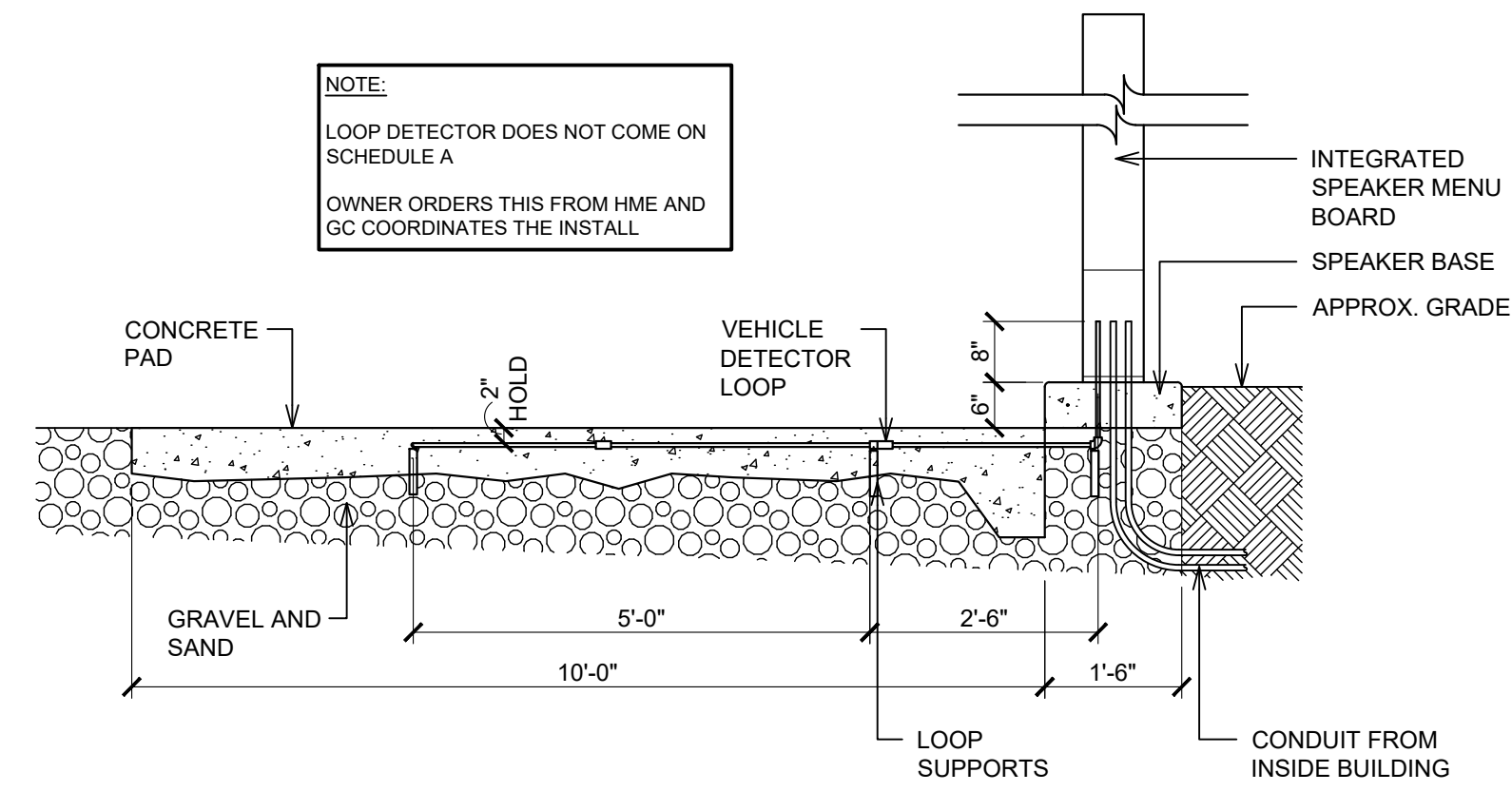


1 EXTERIOR POLE LIGHTS
AS2.1 SCALE: 1/2" = 1'-0"

2 DT DIGITAL PRE-SELL MENU BOARD
AS2.1 SCALE: 1/2" = 1'-0"

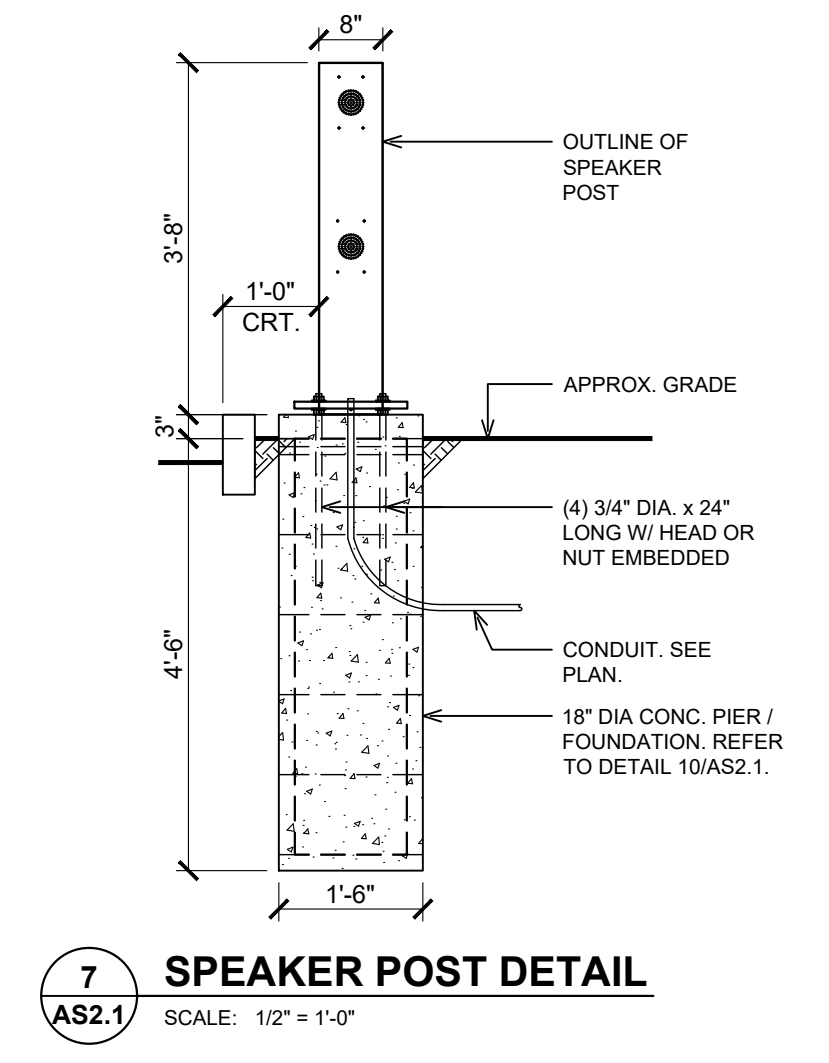
3 DT DIGITAL MENU BOARD
AS2.1 SCALE: 1/2" = 1'-0"

4 TYPICAL DOUBLE DT MENU BOARD LAYOUT
AS2.1 SCALE: 1/8" = 1'-0"

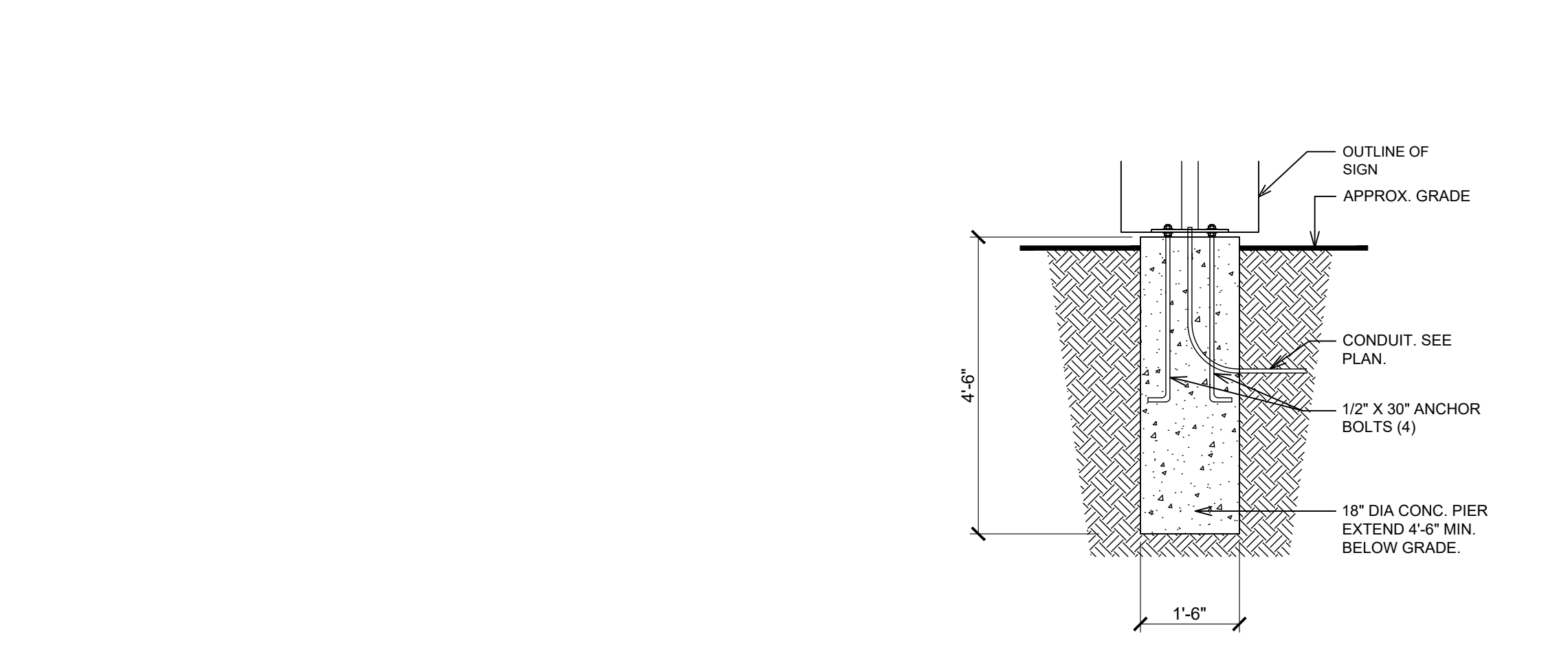


5 VEHICLE DETECTOR LOOP SECTION
AS2.1 SCALE: 1/2" = 1'-0"

6 N/A
AS2.1

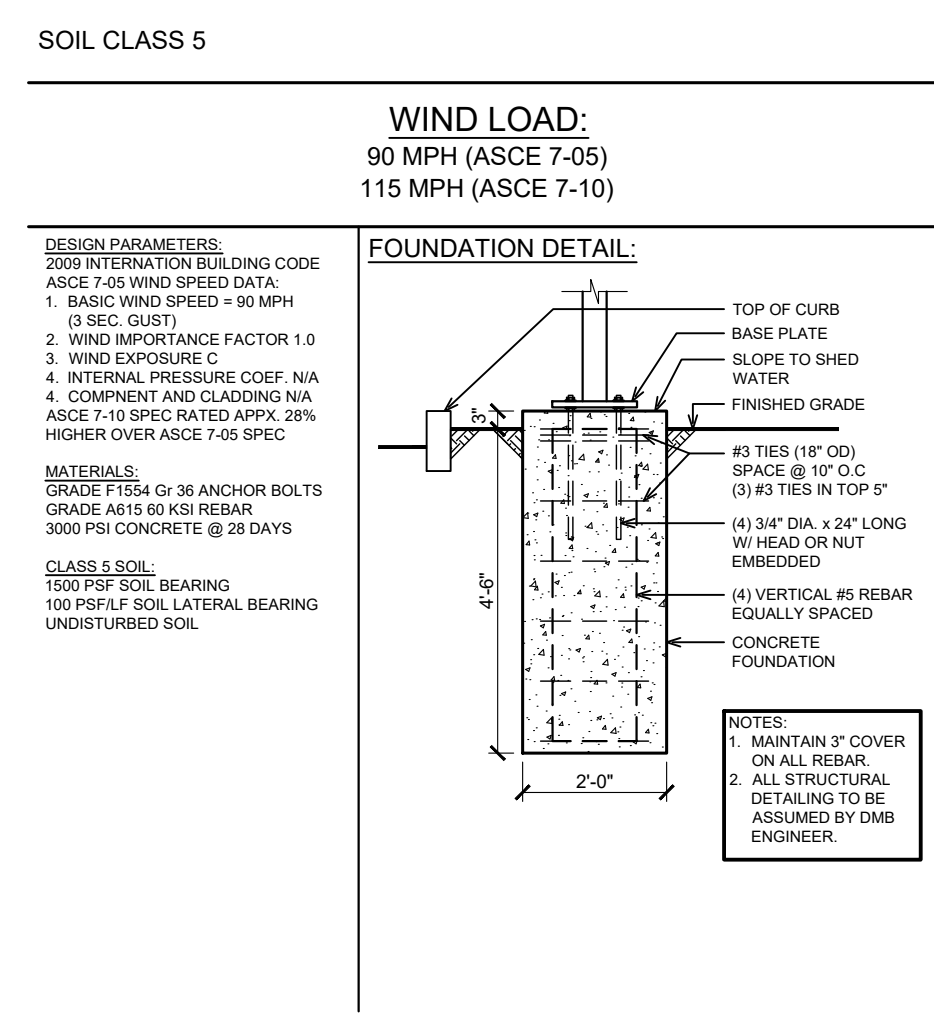


7 SPEAKER POST DETAIL
AS2.1 SCALE: 1/2" = 1'-0"

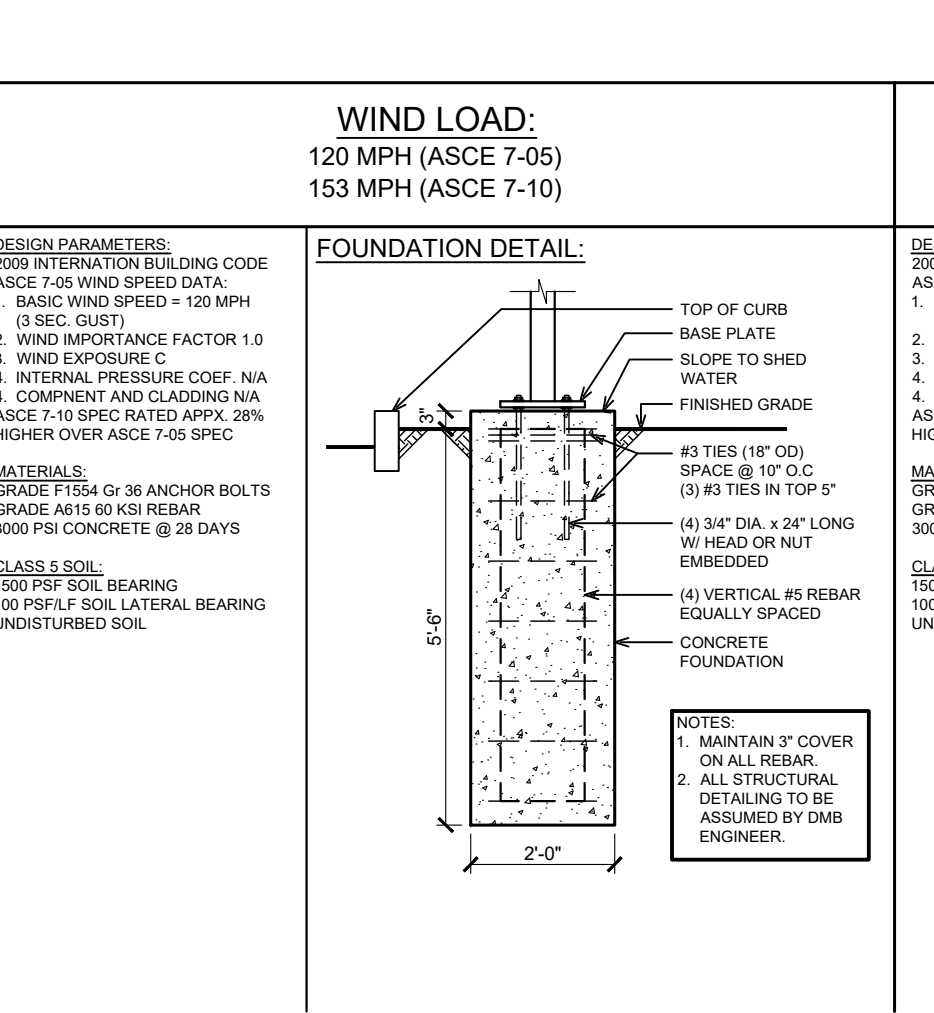


8 N/A
AS2.1

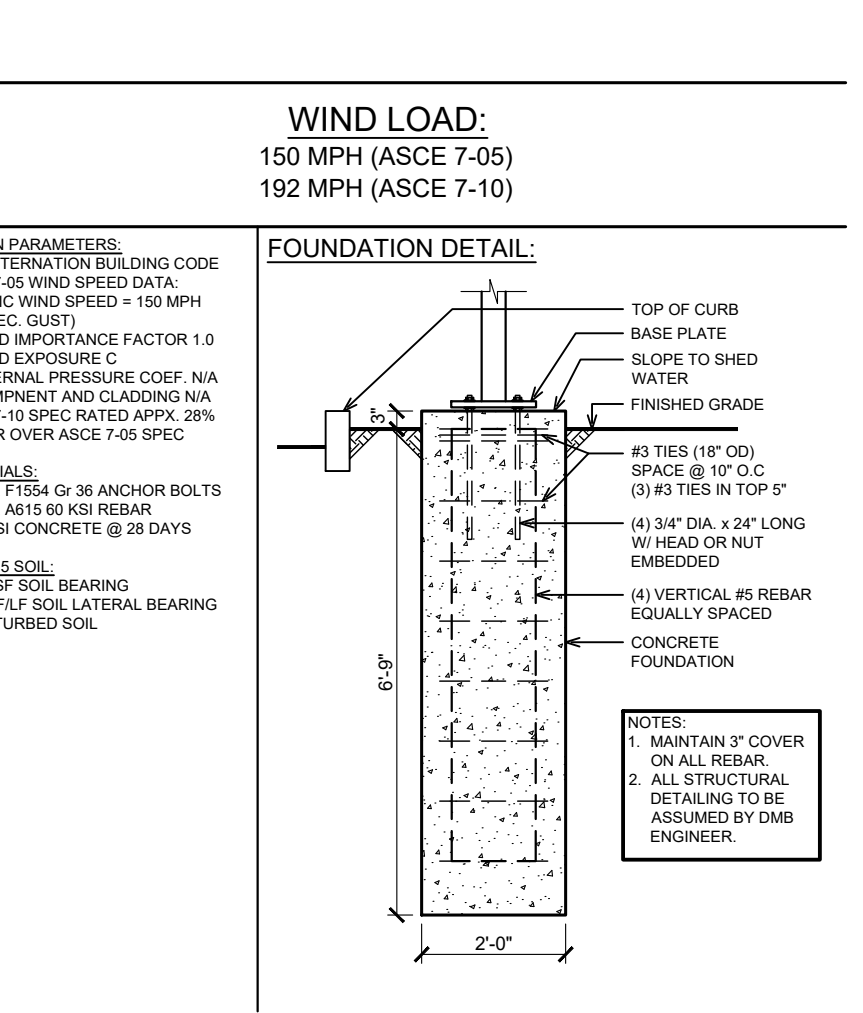
9 SIGNAGE BOARD DETAIL
AS2.1 SCALE: 1/2" = 1'-0"



10 FOUNDATION DETAIL @ DIGITAL MENU BOARD
AS2.1 SCALE: 1/2" = 1'-0"



11 FOUNDATION DETAIL @ DIGITAL MENU BOARD
AS2.1 SCALE: 1/2" = 1'-0"



12 FOUNDATION DETAIL @ DIGITAL MENU BOARD
AS2.1 SCALE: 1/2" = 1'-0"

NOTES:

- SIGNAGE VENDOR TO DETERMINE NUMBER OF DIRECTIONAL SIGNS AND LOCATIONS (SITE VERIFY)
- NOTES: DETAILS FOR REFERENCE ONLY. COORDINATE WITH SITE PLAN DRAWING FOR EXACT REQUIREMENTS.

GENERAL NOTES

- ALL SIGNS SHALL BE ERRECTED IN ACCORDANCE WITH ALL LOCAL CODES AND SOIL CONDITIONS.
- DESIGNS ARE PER 15 PSF WIND LOADS (VERIFY LOCAL WIND AND SOIL CONDITIONS).
- ALL PAINTED PAVEMENT MARKERS ARE TO BE SOLID YELLOW AND FURNISHED BY GENERAL CONTRACTOR.
- WHEN UNABLE TO VIEW CARS PLACING ORDERS DIRECTLY FROM PICK-UP WINDOW A 24" CONVEX MIRROR SHALL BE PLACED IN AN APPROPRIATE LOCATION TO VIEW CUSTOMERS ORDER AT STATION

ISSUE TABLE		
No.	Date (mm/dd/yy)	Description

REVISIONS		
No.	Date	Description
1	8/01/2023	RESPONSE TO CITY
2	9/04/2023	HEALTH COMMENTS
3	9/12/2023	RESPONSE TO CITY
4	9/12/2023	HEALTH COMMENTS

DRAWINGS REVISED AS PER DESIGN BULLETIN		
No.	Date	Description



THIS DRAWING IS OWNED BY OR LICENSED FOR USE BY POPEYES LOUISIANA KITCHEN (OR ITS AFFILIATED OR RELATED COMPANIES) AND MAY NOT BE REPRODUCED, USED, DOWNLOADED, DISSEMINATED, PUBLISHED, OR TRANSMITTED IN ANY FORM OR BY ANY MEANS, EXCEPT WITH THE PRIOR WRITTEN CONSENT OF POPEYES LOUISIANA KITCHEN. COPYRIGHT INFRINGEMENT IS A VIOLATION OF FEDERAL LAW SUBJECT TO CRIMINAL AND CIVIL PENALTIES.

THE CONTRACTOR IS TO VERIFY ALL DIMENSIONS AND CONDITIONS ON THE PROJECT AND TO REPORT ANY DISCREPANCIES TO THE POPEYES LOUISIANA KITCHEN REPRESENTATIVE PRIOR TO COMMENCING WORK. THESE DRAWINGS ARE NOT TO BE USED FOR CONSTRUCTION PURPOSES UNLESS INDICATED BY POPEYES LOUISIANA KITCHEN AS 'ISSUED FOR CONSTRUCTION'.



9.14.2023

Company Logo

ARCHITECTURE - CIVIL ENGINEERING - MEP ENGINEERING
10755 SANDHILL ROAD, DALLAS, TEXAS 75238
TEL: 214-343-9400 www.dimensiongrp.com

Project

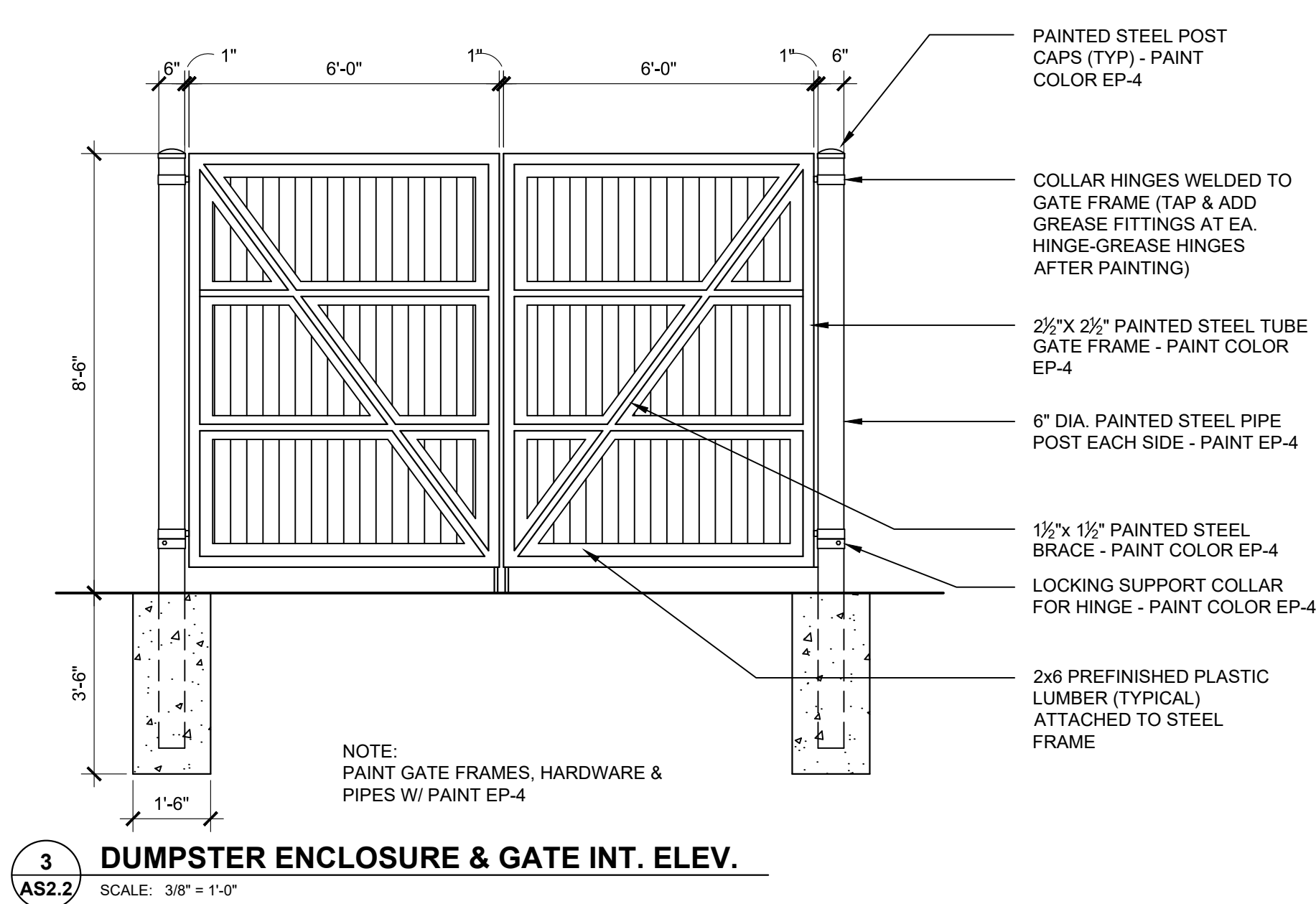
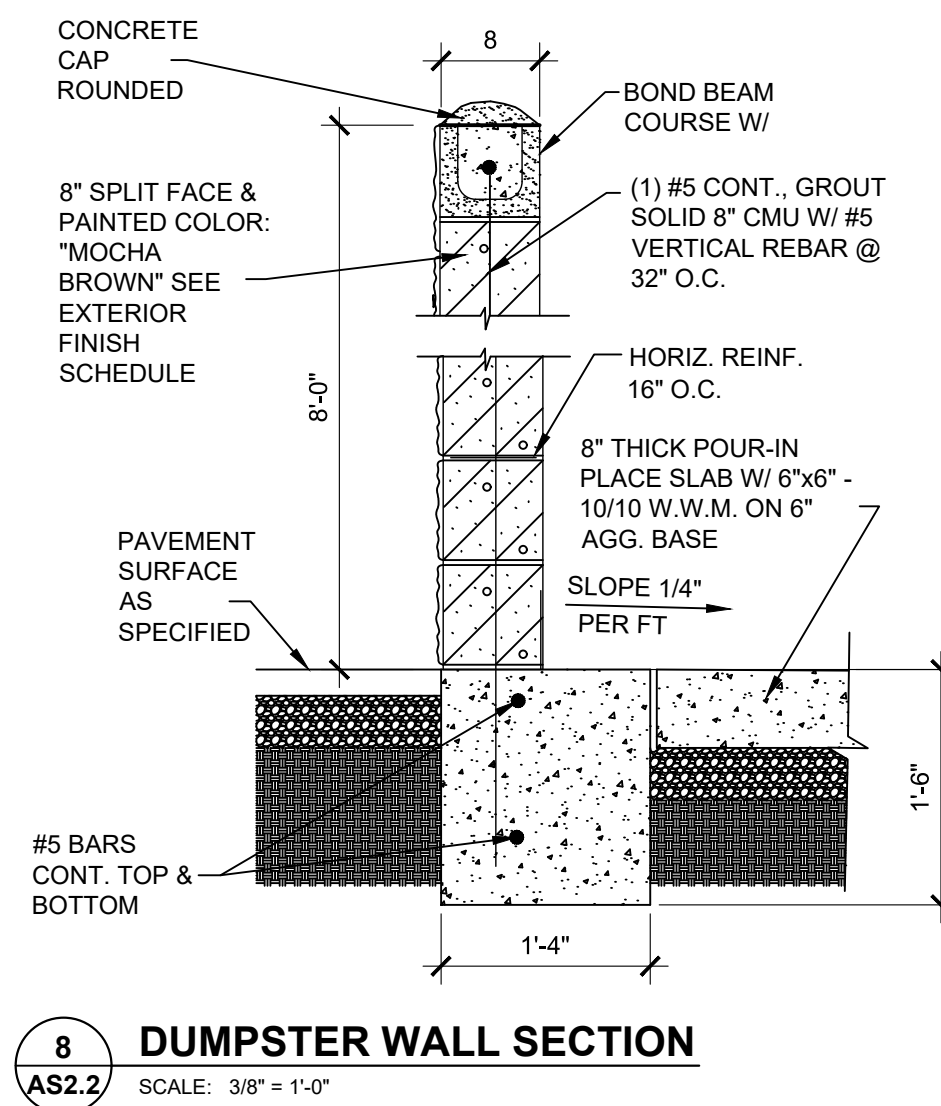
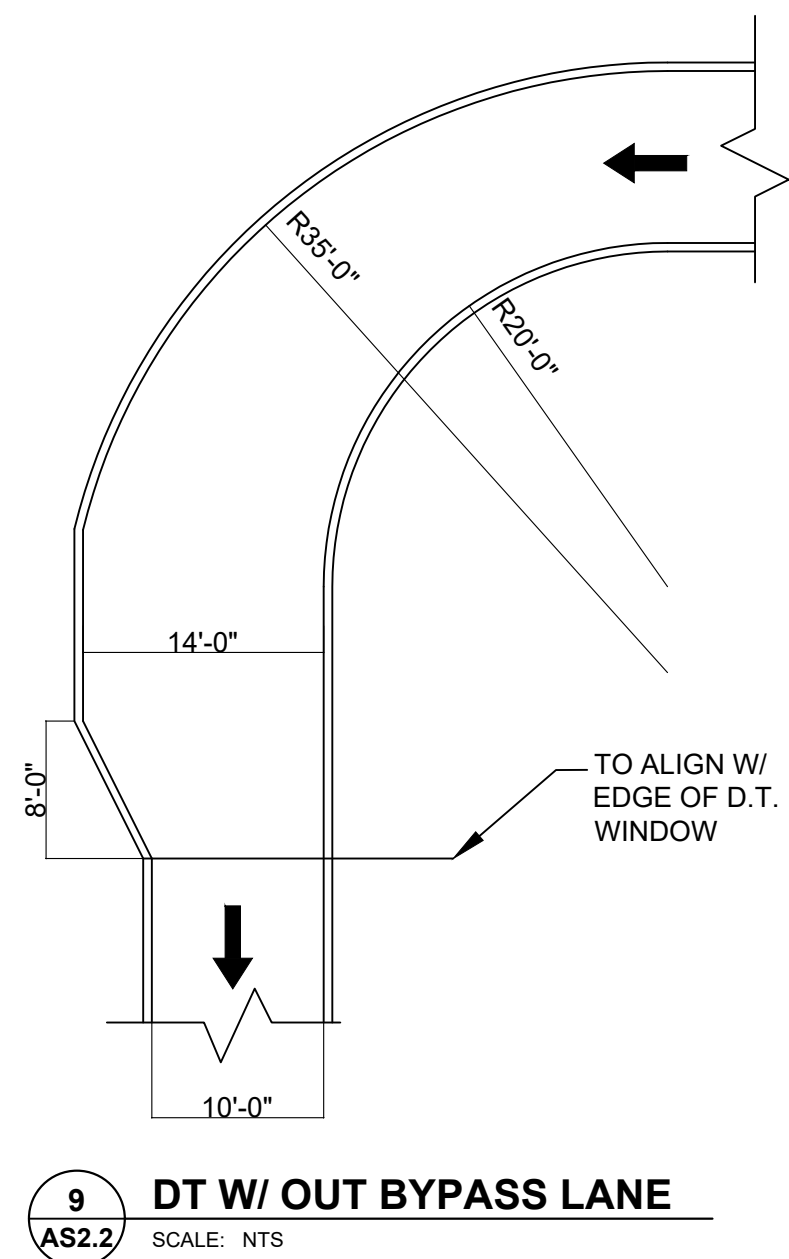
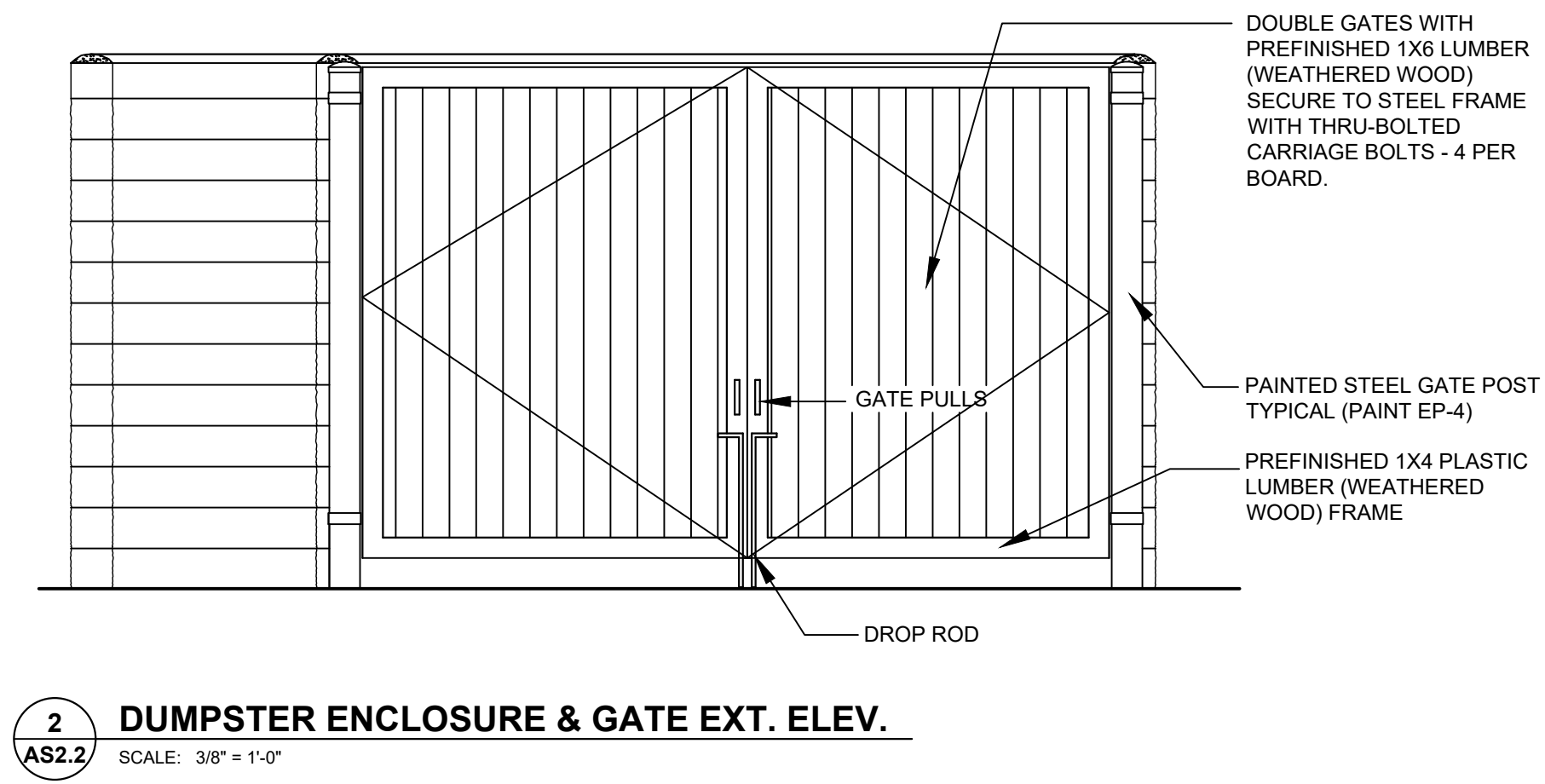
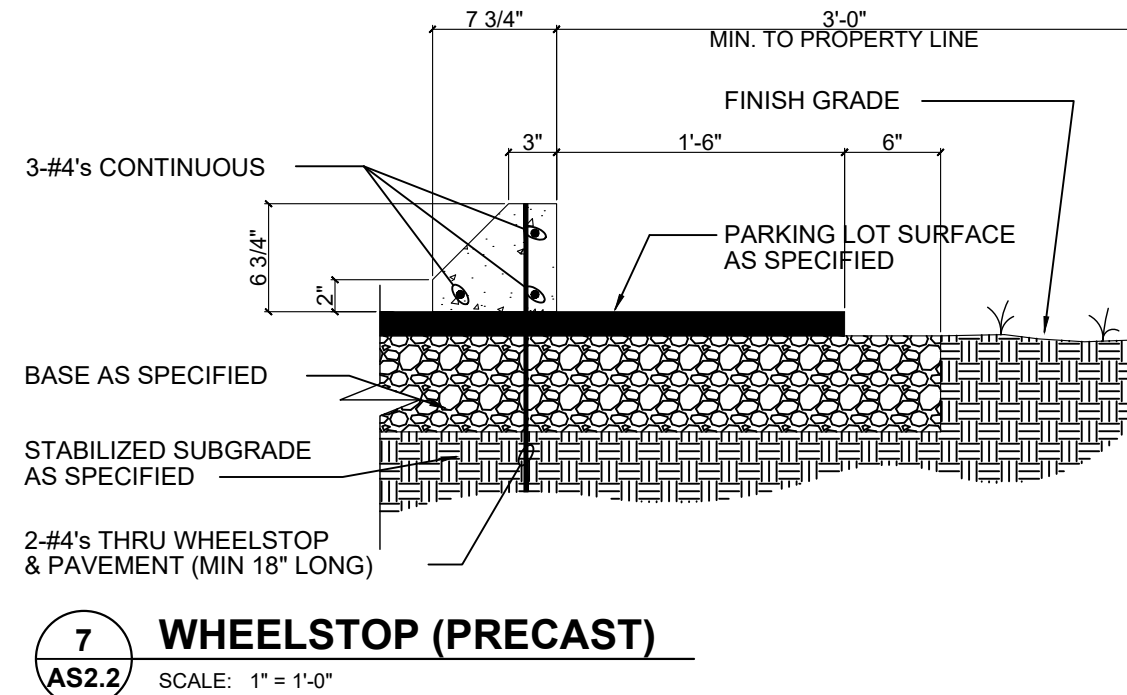
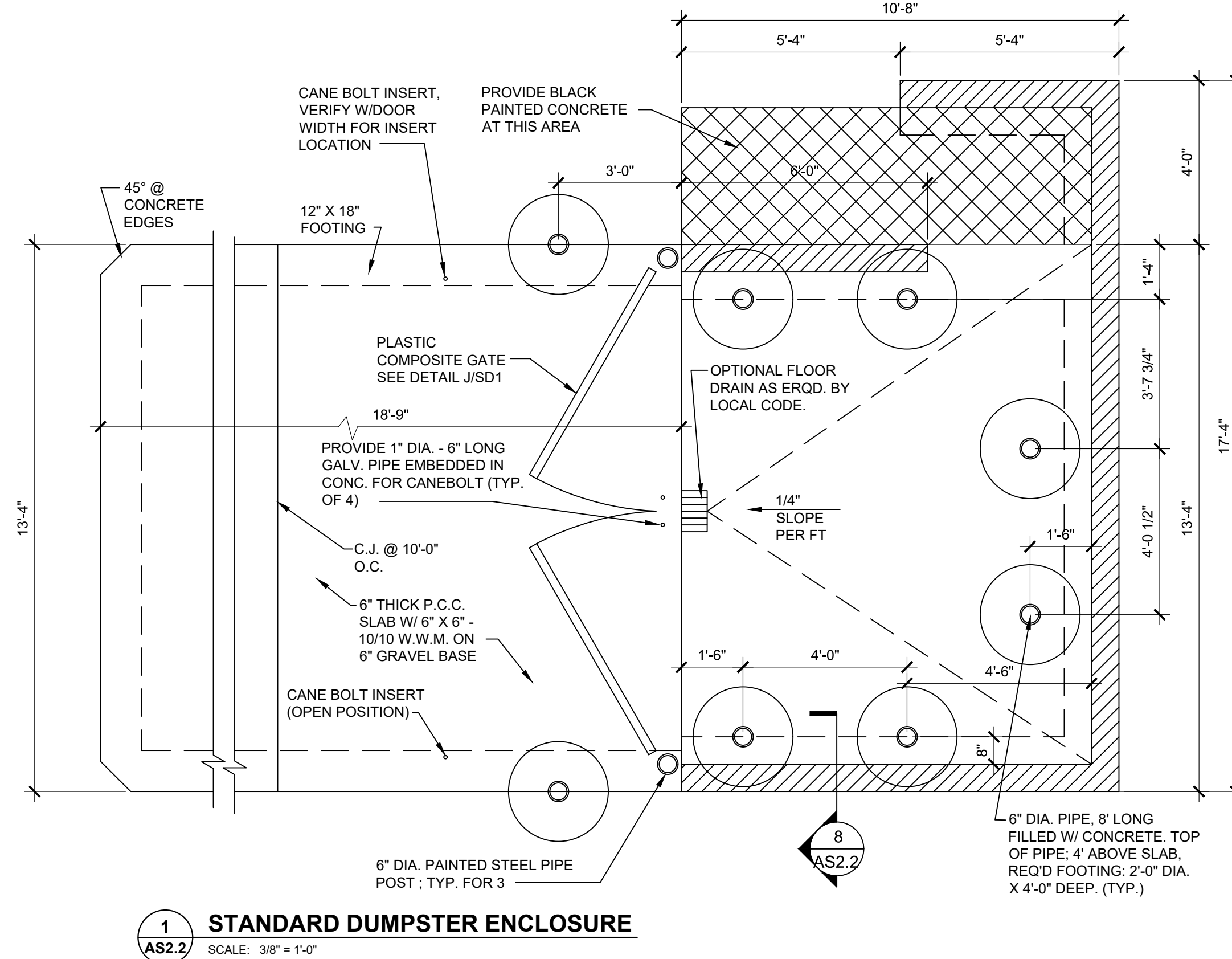
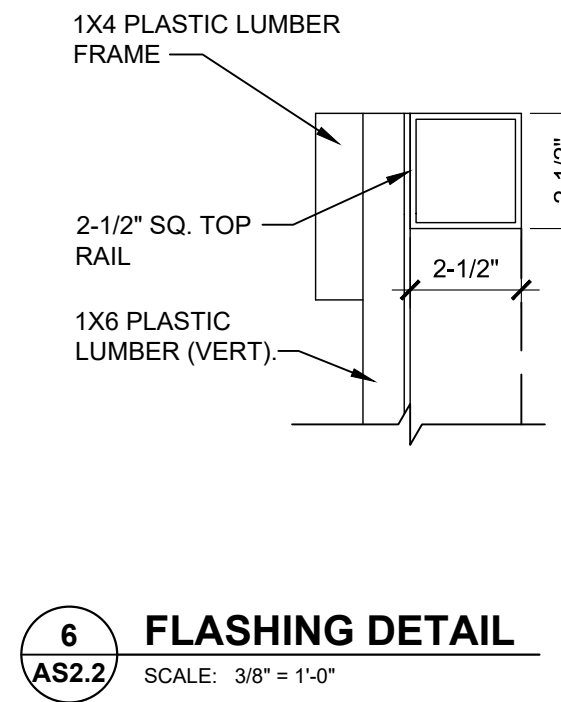
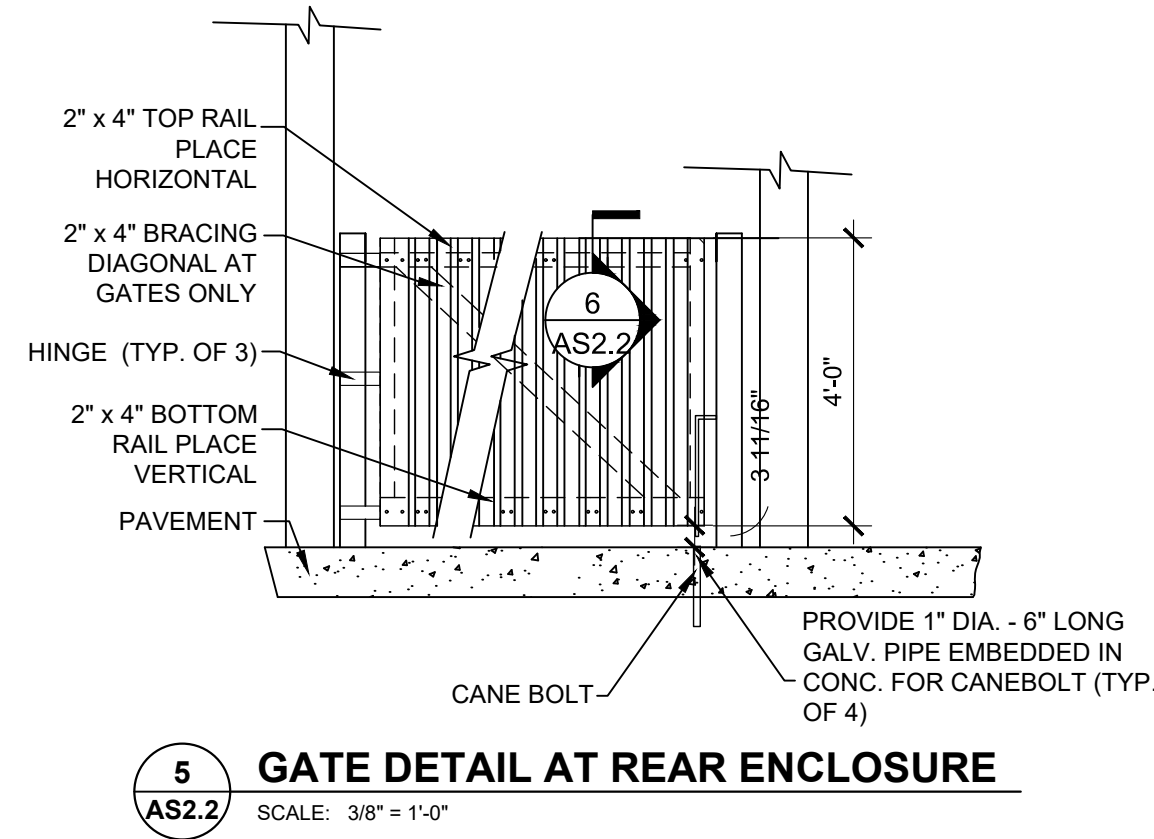
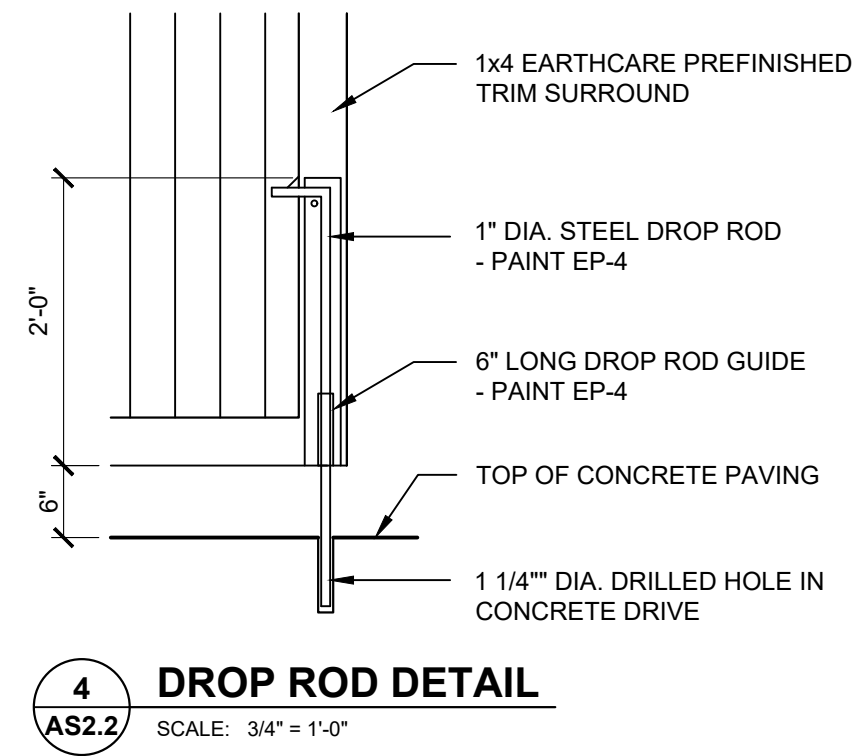
POPEYES

Store Type US 2112 PROTOTYPE 2112-21

Location 1517 NC 24-87 CAMERON, NC

Drawing Title	
MENU SIGN DETAILS SINGLE DOUBLE DRIVE-THRU	
Drawn SH	Checked AL
Scale AS NOTED	Date JUNE 2023
Project No. C22-129	Drawing No. AS2.1

POPEYES LOUISIANA KITCHEN MODEL 2112, 1517 NC 24-87, CAMERON, NC (JUNE 01, 2023) STORE NO. C22-129



ISSUE TABLE		
No.	Date (mm/dd/yy)	Description

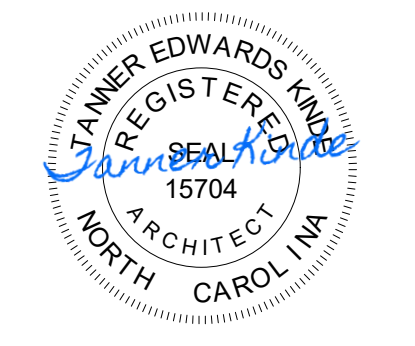
REVISIONS		
No.	Date	Description
1	8/01/2023	RESPONSE TO CITY
2	9/04/2023	HEALTH COMMENTS
3	9/12/2023	RESPONSE TO CITY
4	9/12/2023	HEALTH COMMENTS

DRAWINGS REVISED AS PER DESIGN BULLETIN		
No.	Date	Description

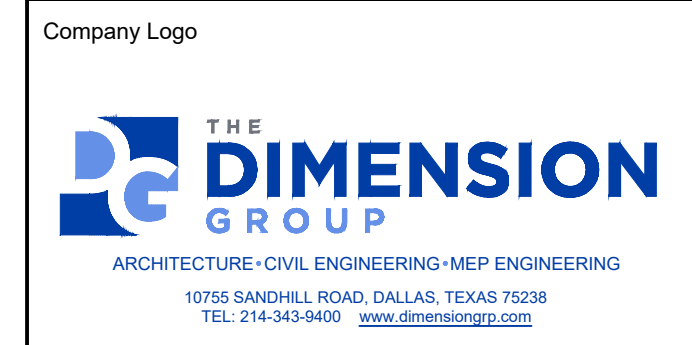


THIS DRAWING IS OWNED BY OR LICENSED FOR USE BY POPEYES LOUISIANA KITCHEN (OR ITS AFFILIATED OR RELATED COMPANIES) AND MAY NOT BE REPRODUCED, USED, COPIED, DISSEMINATED, PUBLISHED OR TRANSFERRED IN ANY FORM OR BY ANY MEANS, EXCEPT WITH THE PRIOR WRITTEN CONSENT OF POPEYES LOUISIANA KITCHEN. COPYRIGHT INFRINGEMENT IS A VIOLATION OF FEDERAL LAW SUBJECT TO CRIMINAL AND CIVIL PENALTIES.

THE CONTRACTOR IS TO VERIFY ALL DIMENSIONS AND CONDITIONS ON THE PROJECT AND TO REPORT ANY DISCREPANCIES TO THE POPEYES LOUISIANA KITCHEN REPRESENTATIVE PRIOR TO COMMENCING WORK. THESE DRAWINGS ARE NOT TO BE USED FOR CONSTRUCTION PURPOSES UNLESS INDICATED BY POPEYES LOUISIANA KITCHEN AS ISSUED FOR CONSTRUCTION.



9.14.2023



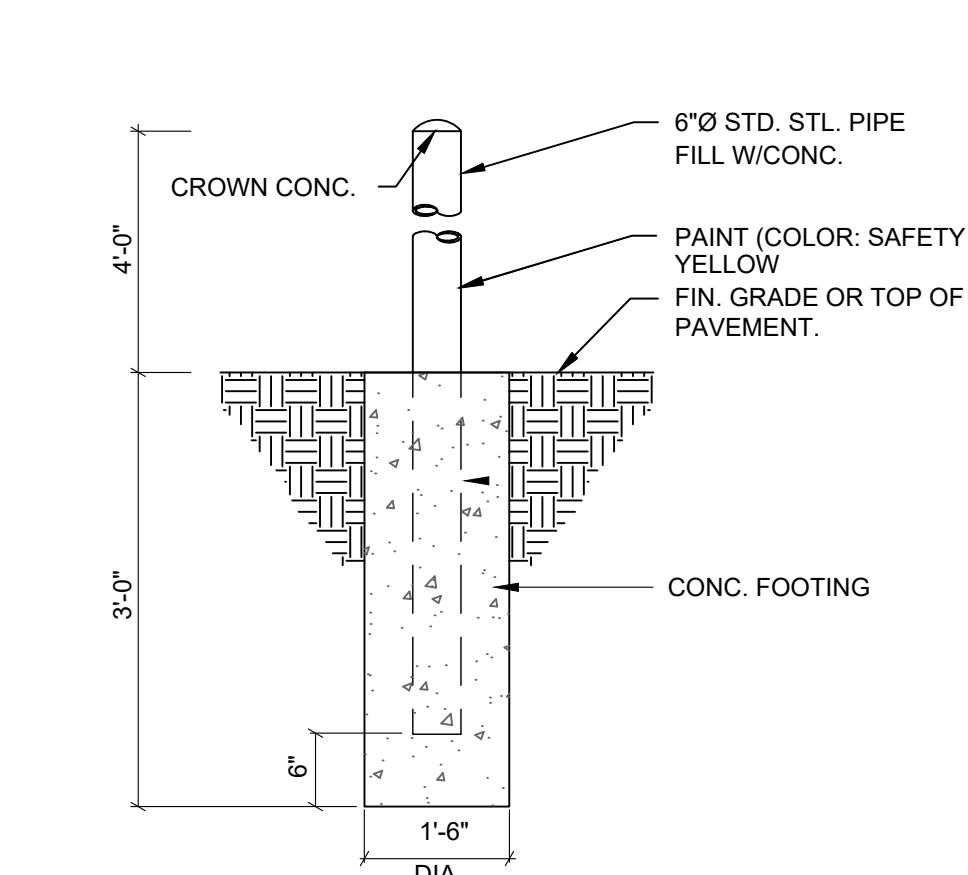
Store Type: US 2112 PROTOTYPE 2112-21

Location: 1517 NC 24-87 CAMERON, NC

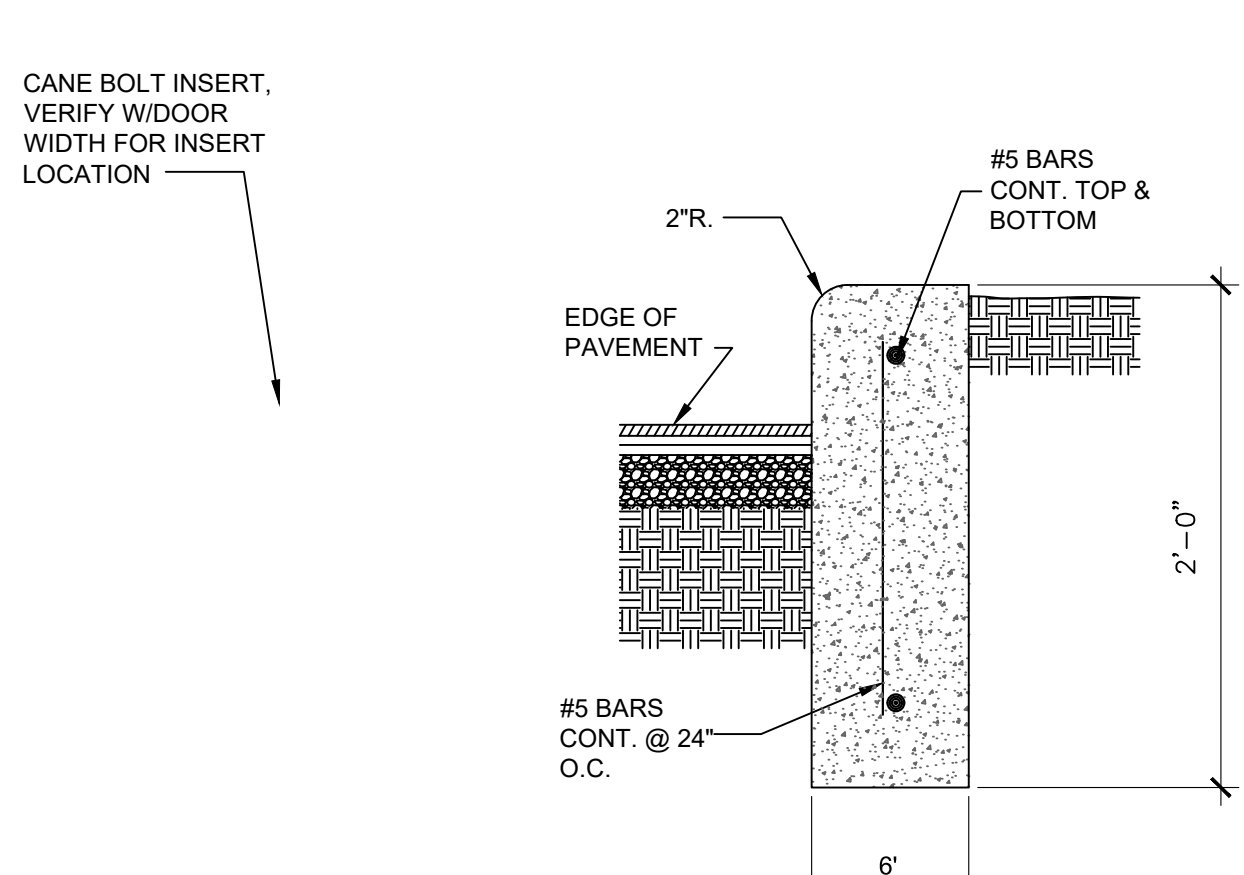
Drawing Title: SITE DETAILS - TRASH ENCLOSURE WOOD

Drawn	Checked
SH	AL
Scale	Date
AS NOTED	JUNE 2023
Project No.	Drawing No.
C22-129	AS2.2

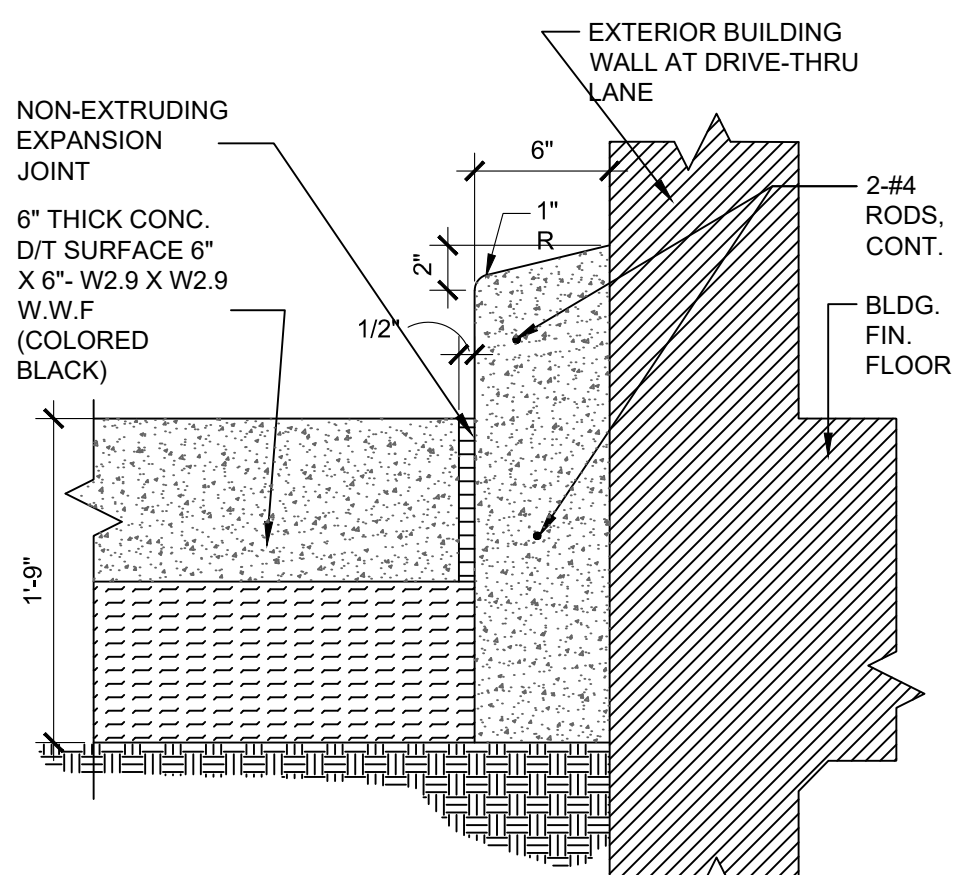
POPEYES LOUISIANA KITCHEN MODEL 2112, 1517 NC 24-87, CAMERON, NC (JUNE 01, 2023) STORE NO. C22-129



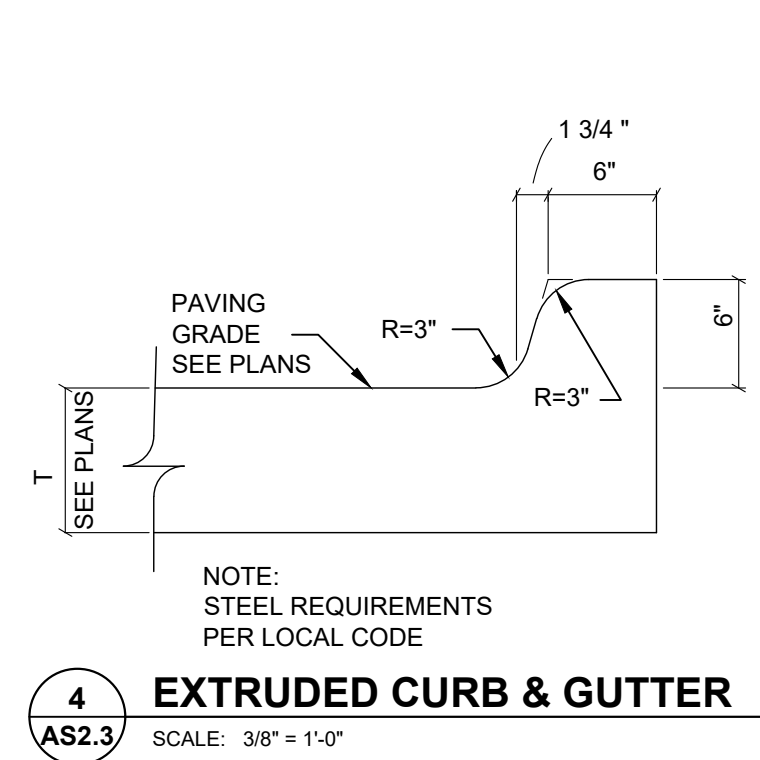
13 BOLLARD DETAIL
AS2.3 SCALE: 3/8" = 1'-0"



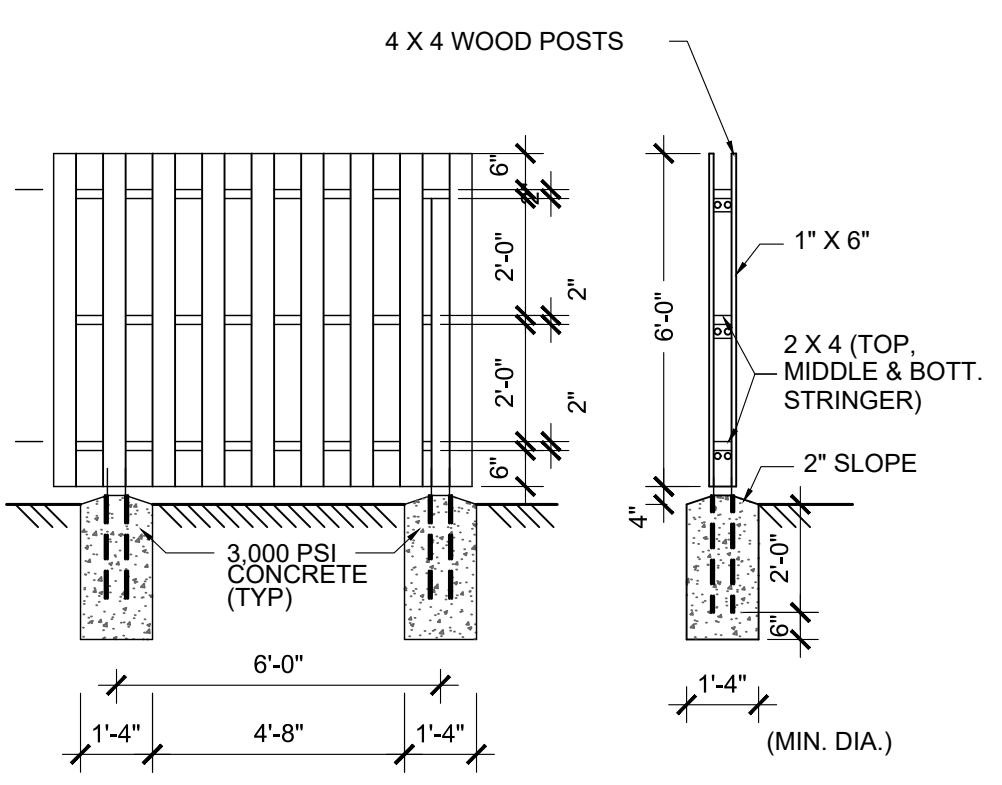
11 CURB DETAIL
AS2.3 SCALE: 3/8" = 1'-0"



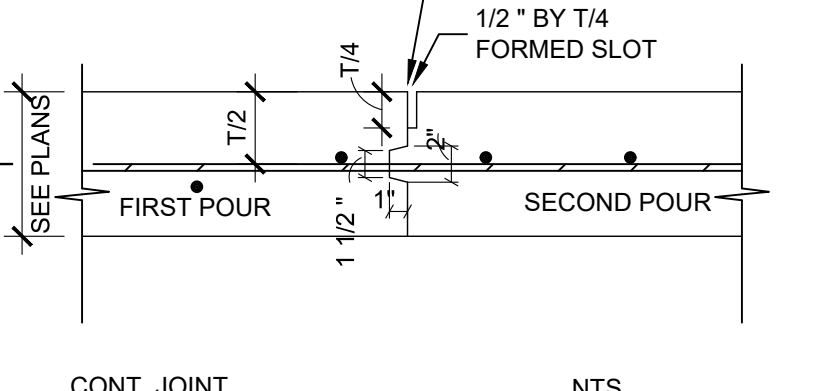
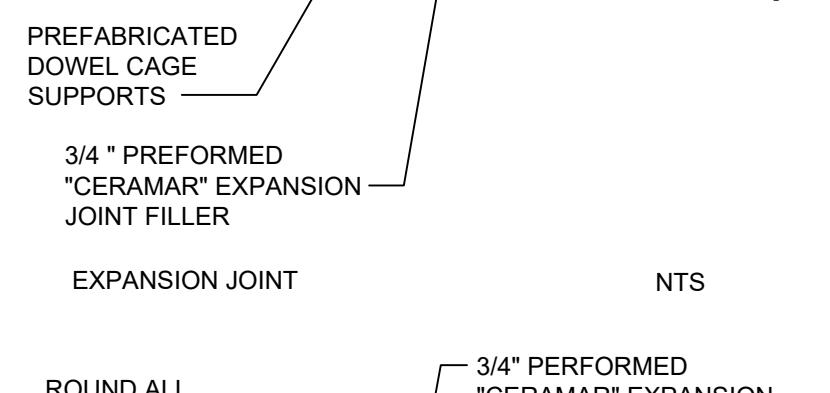
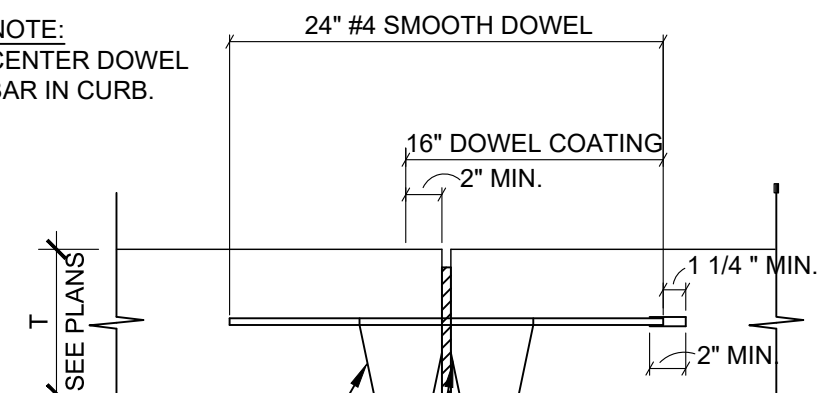
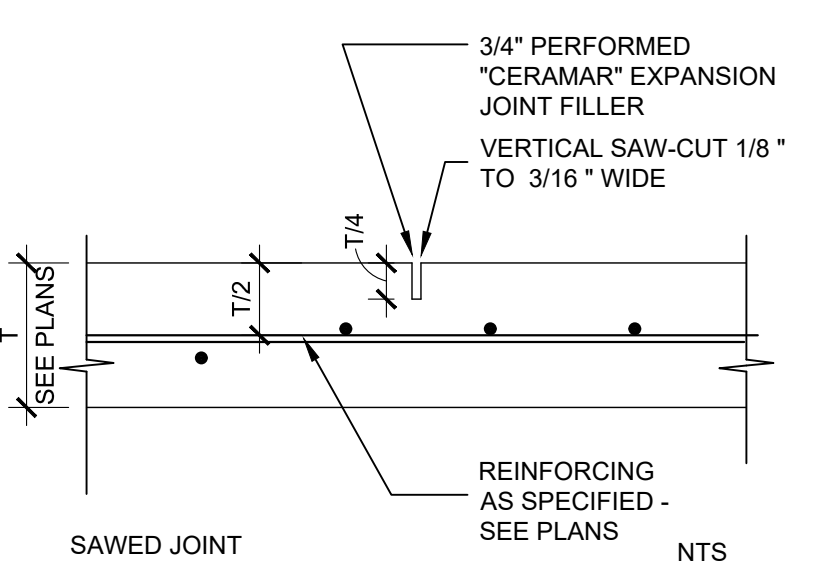
5 6" BARRIER CURB @ DRIVE-THRU WINDOW
AS2.3 SCALE: 3/8" = 1'-0"



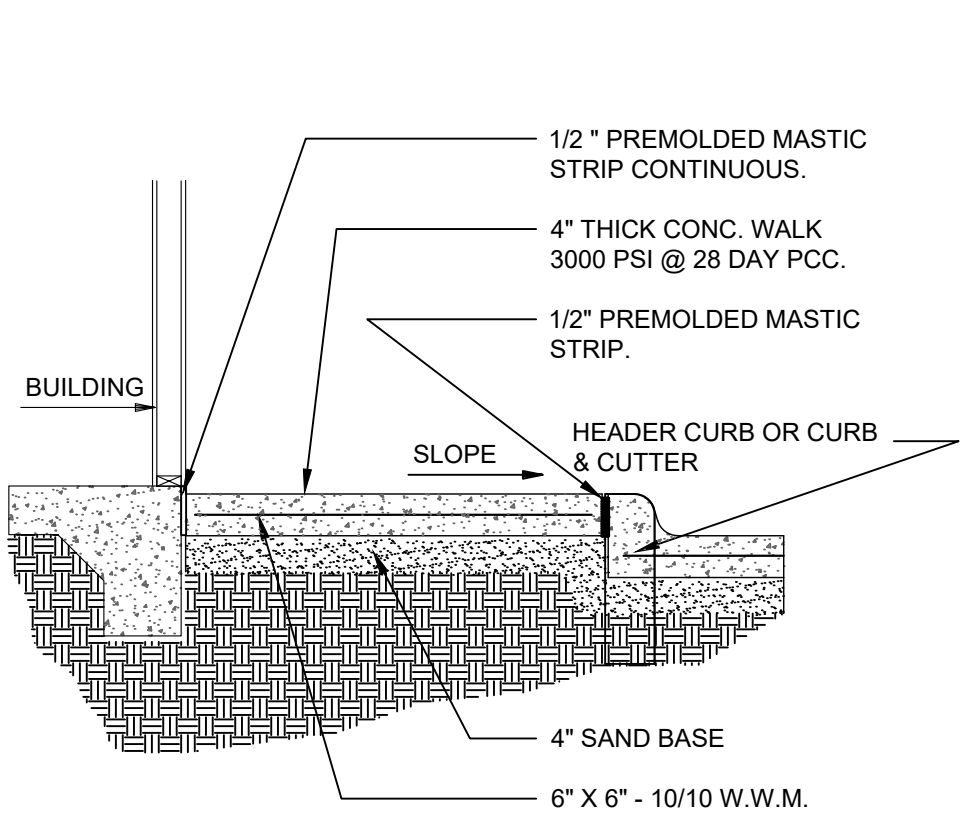
4 EXTRUDED CURB & GUTTER
AS2.3 SCALE: 3/8" = 1'-0"



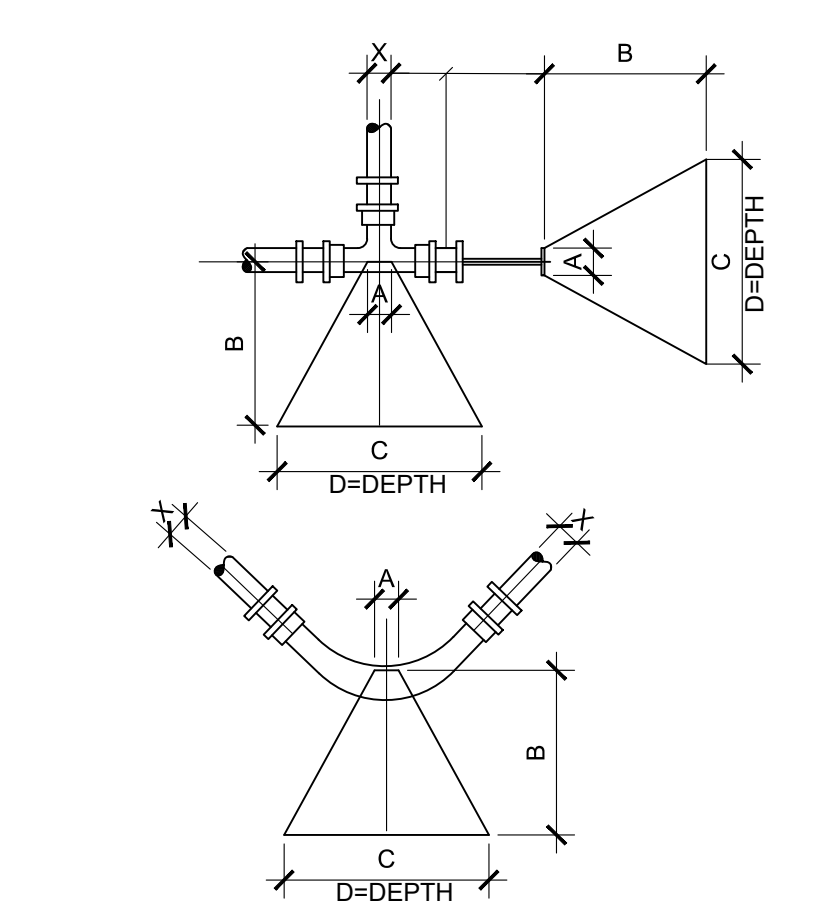
1 SHADOW BOX WOOD FENCE
AS2.3 SCALE: 3/8" = 1'-0"



13 TYPICAL JOINT DETAILS
AS2.3 SCALE: 3/8" = 1'-0"



9 SIDEWALK DETAIL
AS2.3 SCALE: 3/8" = 1'-0"

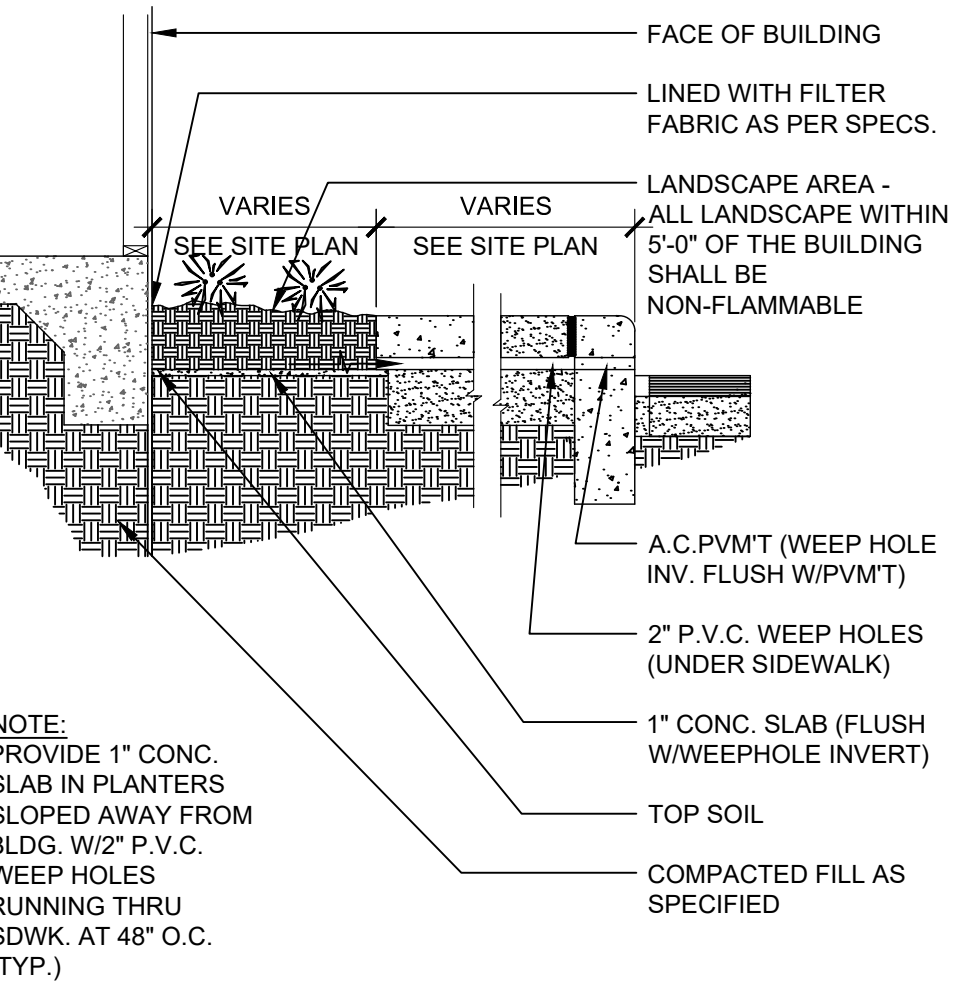


10 THRUST BLOCKS
AS2.3 SCALE: 3/8" = 1'-0"

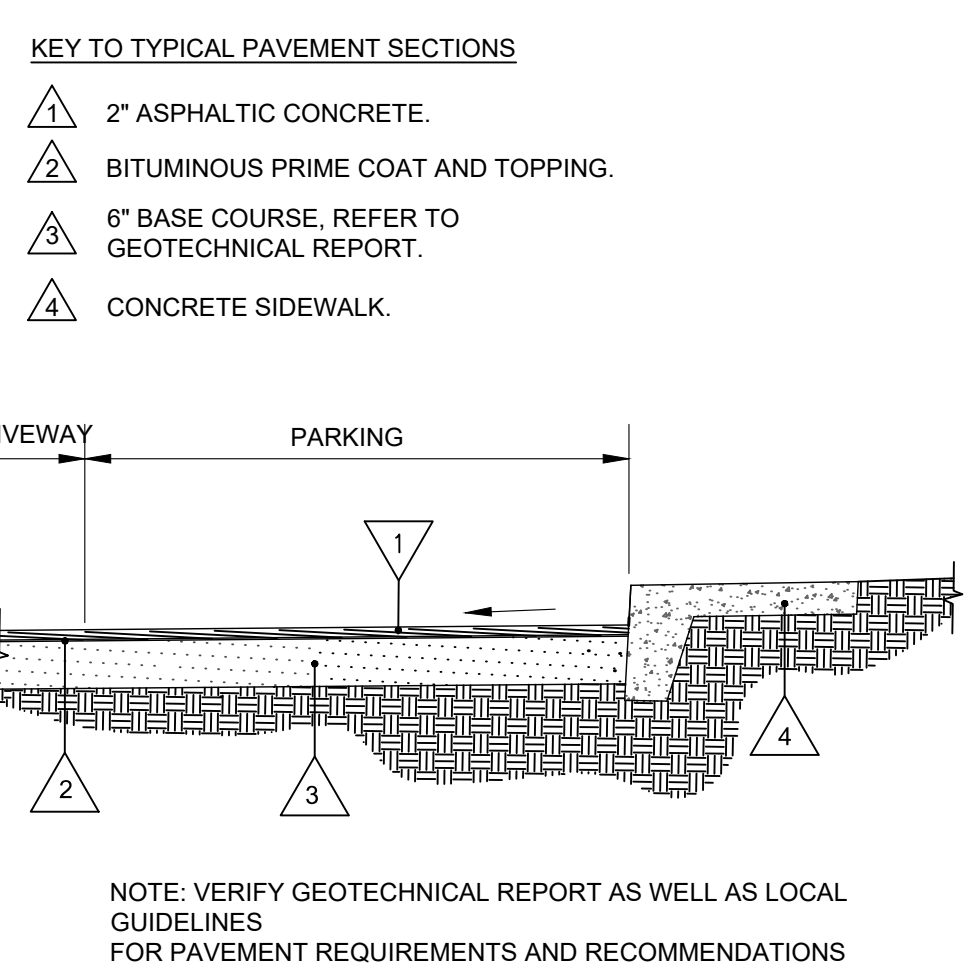
NOTE: CONCRETE TO HAVE A MIN. 28 DAY STRENGTH OF 3000 PSI

BLOCKING DIMENSIONS					
DEAD END AND TEES	X	A	B	C	D
	8"	10"	2'-3"	3'-3"	2'-0"
12"	12"	3'-0"	4'-6"	3'-0"	3'-0"
BENDS	8"	10"	2'-0"	4'-0"	2'-3"
	12"	12"	4'-3"	6'-0"	3'-3"
90°	8"	10"	1'-6"	2'-6"	2'-0"
	12"	12"	1'-9"	3'-0"	1'-9"
45°	8"	10"	1'-0"	2'-0"	1'-3"
	12"	12"	0'-6"	1'-9"	1'-6"
11/4"	8"	10"	0'-6"	1'-4"	1'-0"
	12"	12"	0'-6"	1'-9"	1'-6"

X= DIAMETER OF PIPE TO BE BLOCKED NOTE: BLOCKING SHALL BE CONSTRUCTED AS PER AWWA STD. 0600, SECTION 12.3, OR LATEST REVISION



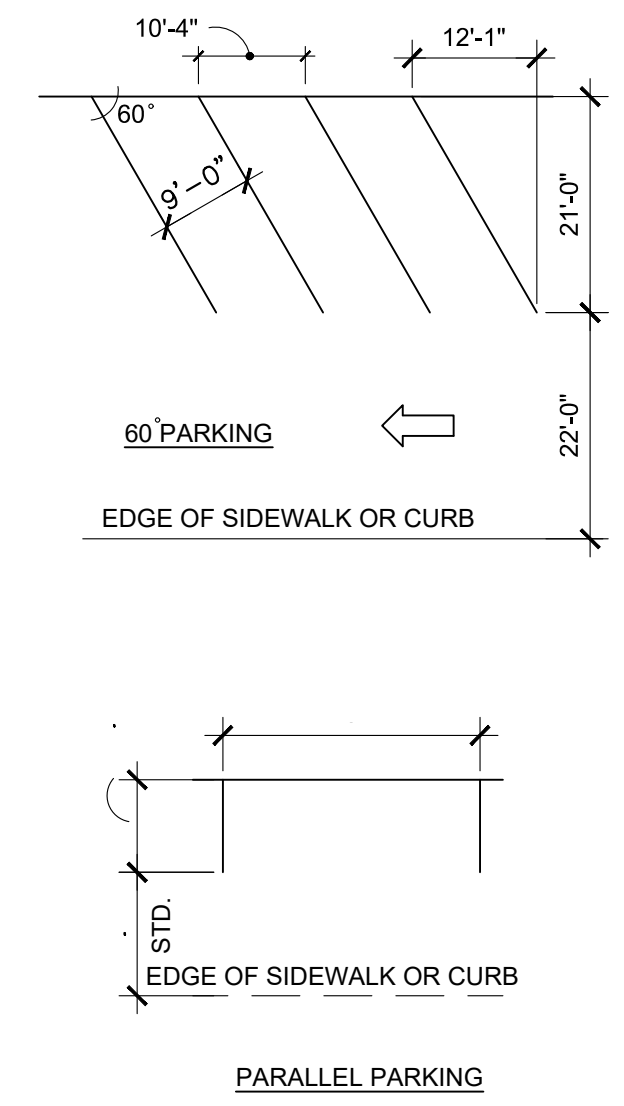
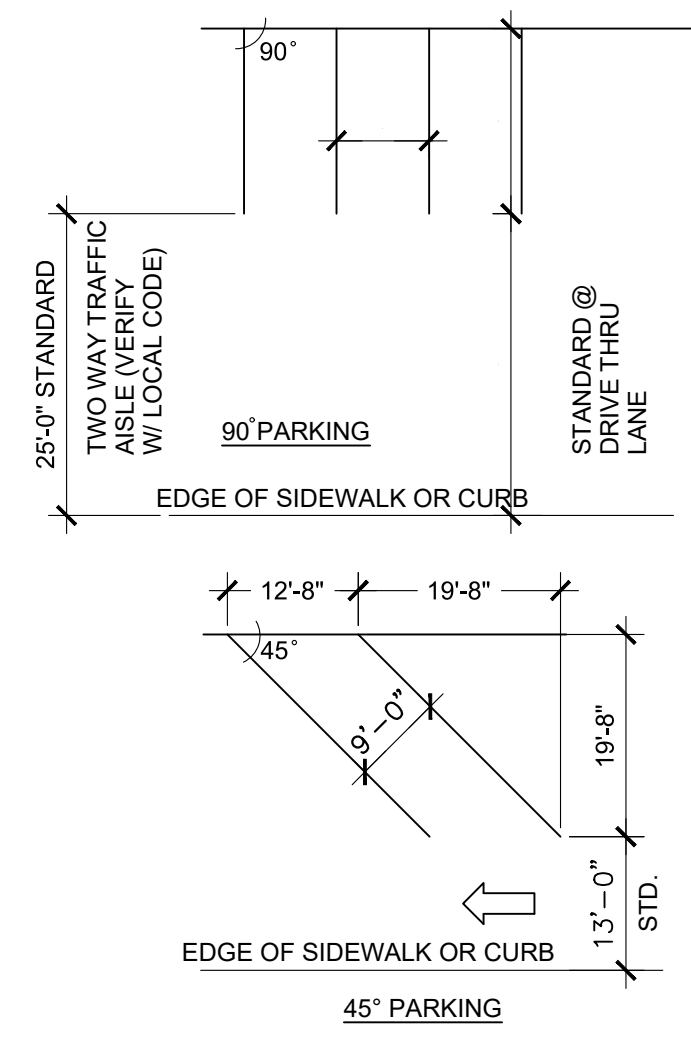
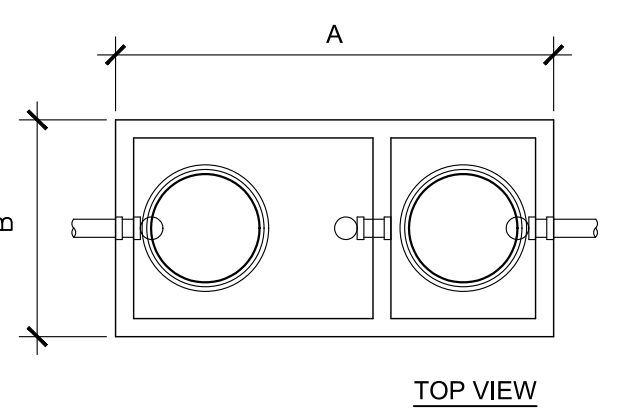
7 PLANTER SIDEWALK
AS2.3 SCALE: 3/8" = 1'-0"



8 TYP. ASPHALT PAVEMENT DETAIL
AS2.3 SCALE: 3/8" = 1'-0"

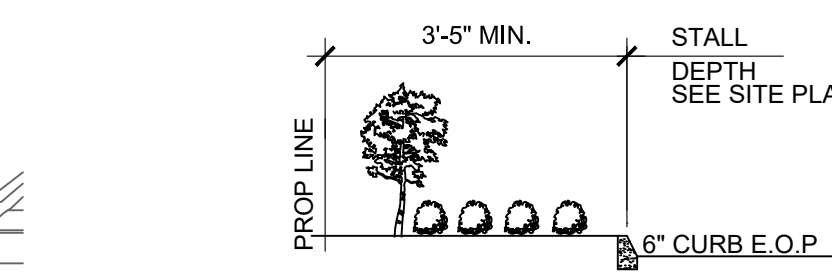
GREASE TRAP SIZE TABLE		
G.T. SIZE	DIM "A"	DIM "B"
1000 GALLON	8'-2"	5'-1"
1200 GALLON	8'-6"	5'-9"

VERIFY PER LOCAL CODE

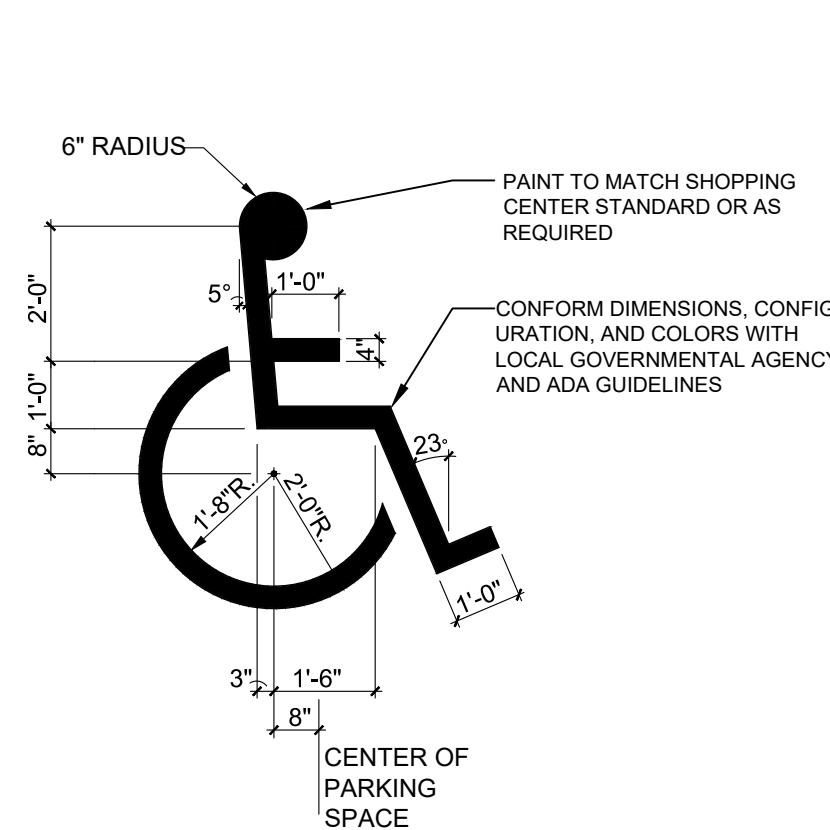


NOTES:
1. WHEEL STOPS NOT TO BE USED UNLESS REQ'D FOR SAFETY REASONS.
2. USE 90 DEGREE PARKING WHENEVER POSSIBLE.
3. DIMENSIONS SHOWN ABOVE ARE BASED ON 9'X18' STALLS.

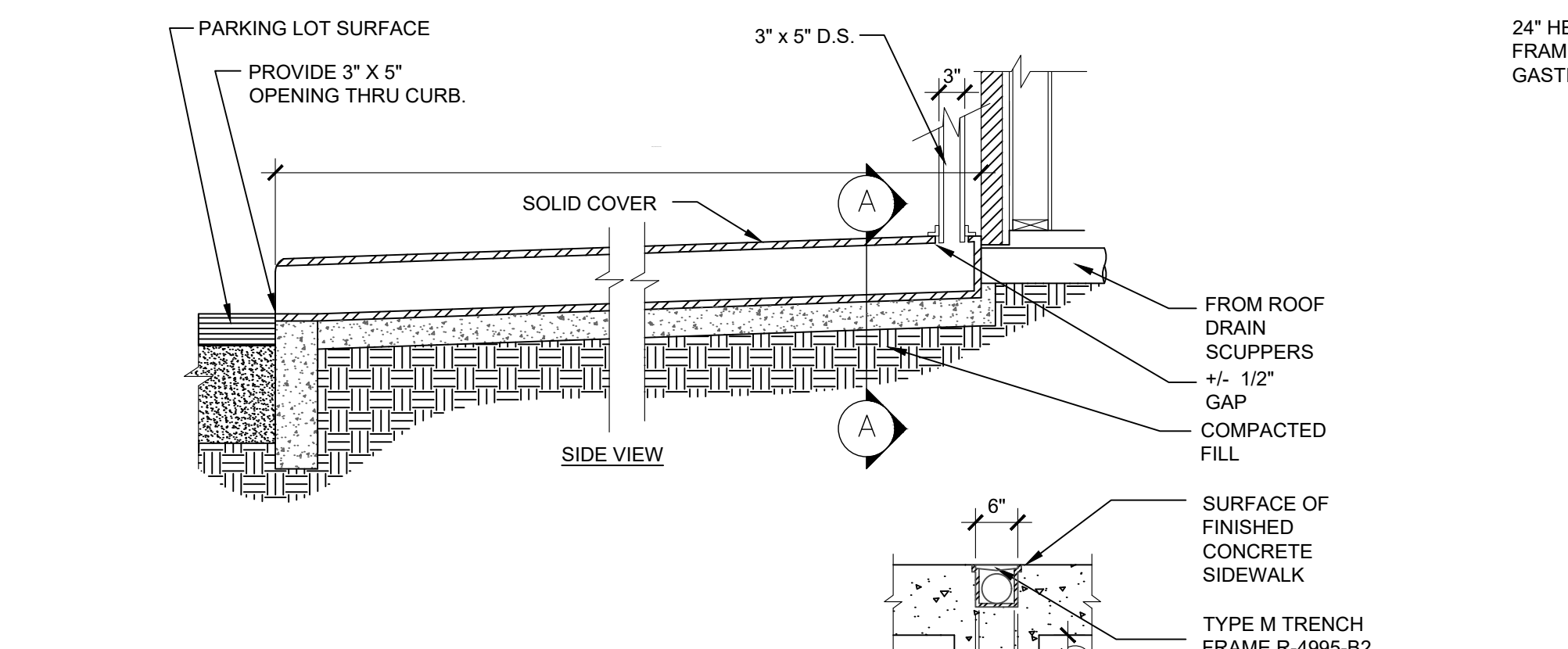
VERIFY DIMENSIONS WITH LOCAL REGULATORY AGENCY



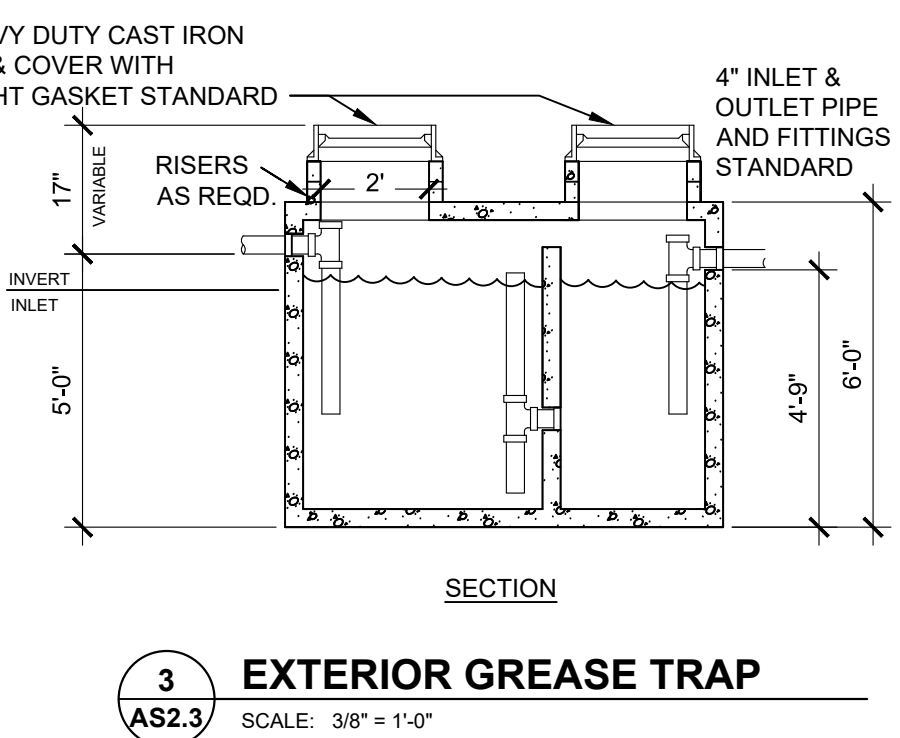
2 PARKING STALL STANDARDS
AS2.3 SCALE: 3/8" = 1'-0"



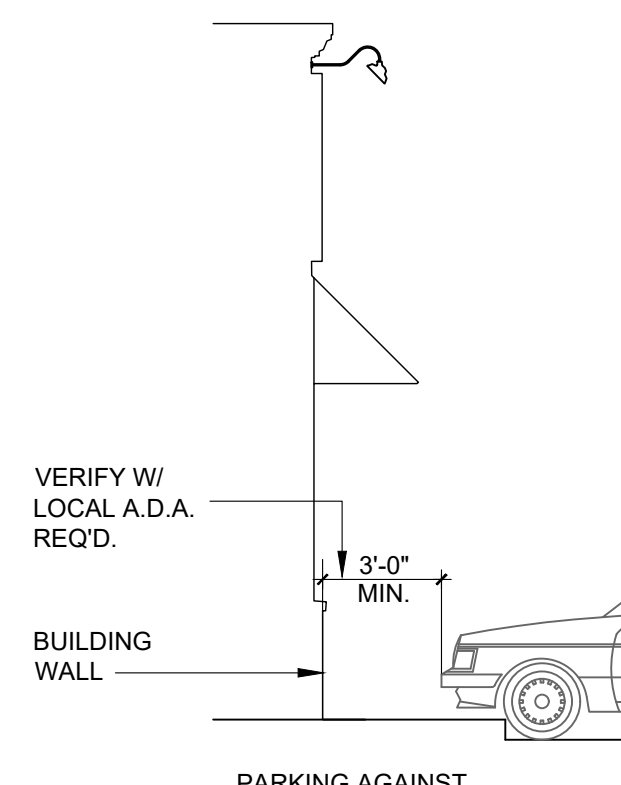
12 HANDICAP SYMBOL
AS2.3 SCALE: 3/8" = 1'-0"



6 ROOF DRAIN FLUME
AS2.3 SCALE: 3/8" = 1'-0"



3 EXTERIOR GREASE TRAP
AS2.3 SCALE: 3/8" = 1'-0"



2 PARKING AGAINST SIDEWALK

ISSUE TABLE

No.	Date (mm/dd/yy)	Description

REVISIONS

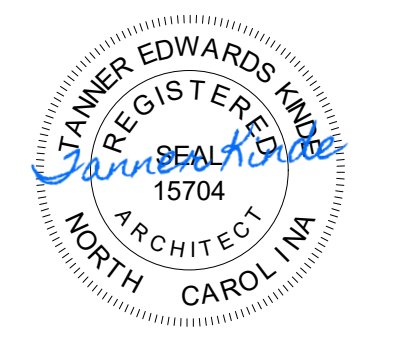
No.	Date	Description
1	8/01/2023	RESPONSE TO CITY
2	9/04/2023	HEALTH COMMENTS
3	9/12/2023	RESPONSE TO CITY
4	9/12/2023	HEALTH COMMENTS

DRAWINGS REVISED AS PER DESIGN BULLETIN

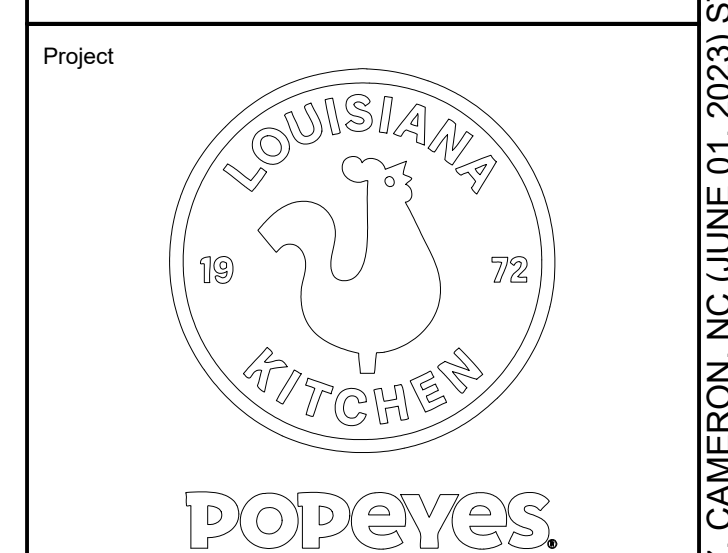
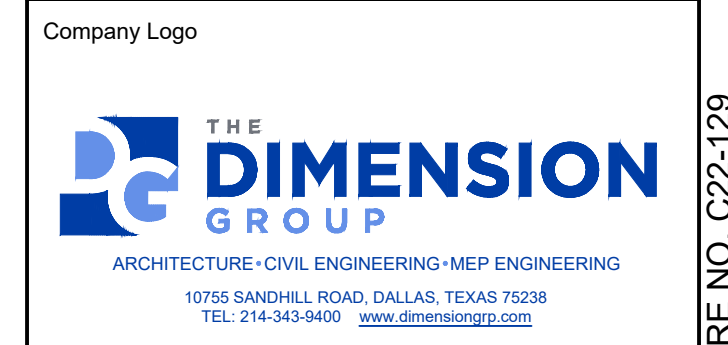
No.	Date	Description

THIS DRAWING IS OWNED BY OR LICENSED FOR USE BY POPEYES LOUISIANA KITCHEN (OR ITS AFFILIATED OR RELATED COMPANIES) AND MAY NOT BE REPRODUCED, USED, COPIED, DOWNGRADED, DISSEMINATED, PUBLISHED OR TRANSFERRED IN ANY FORM OR BY ANY MEANS, EXCEPT WITH THE PRIOR WRITTEN CONSENT OF POPEYES LOUISIANA KITCHEN. COPYRIGHT INFRINGEMENT IS A VIOLATION OF FEDERAL LAW SUBJECT TO CRIMINAL AND CIVIL PENALTIES.

THE CONTRACTOR IS TO VERIFY ALL DIMENSIONS AND CONDITIONS ON THE PROJECT AND TO REPORT ANY DISCREPANCIES TO THE POPEYES LOUISIANA KITCHEN REPRESENTATIVE PRIOR TO COMMENCING WORK. THESE DRAWINGS ARE NOT TO BE USED FOR CONSTRUCTION PURPOSES UNLESS INDICATED BY POPEYES LOUISIANA KITCHEN AS "ISSUED FOR CONSTRUCTION".



9.14.2023



Store Type: US 2112 PROTOTYPE 2112-21

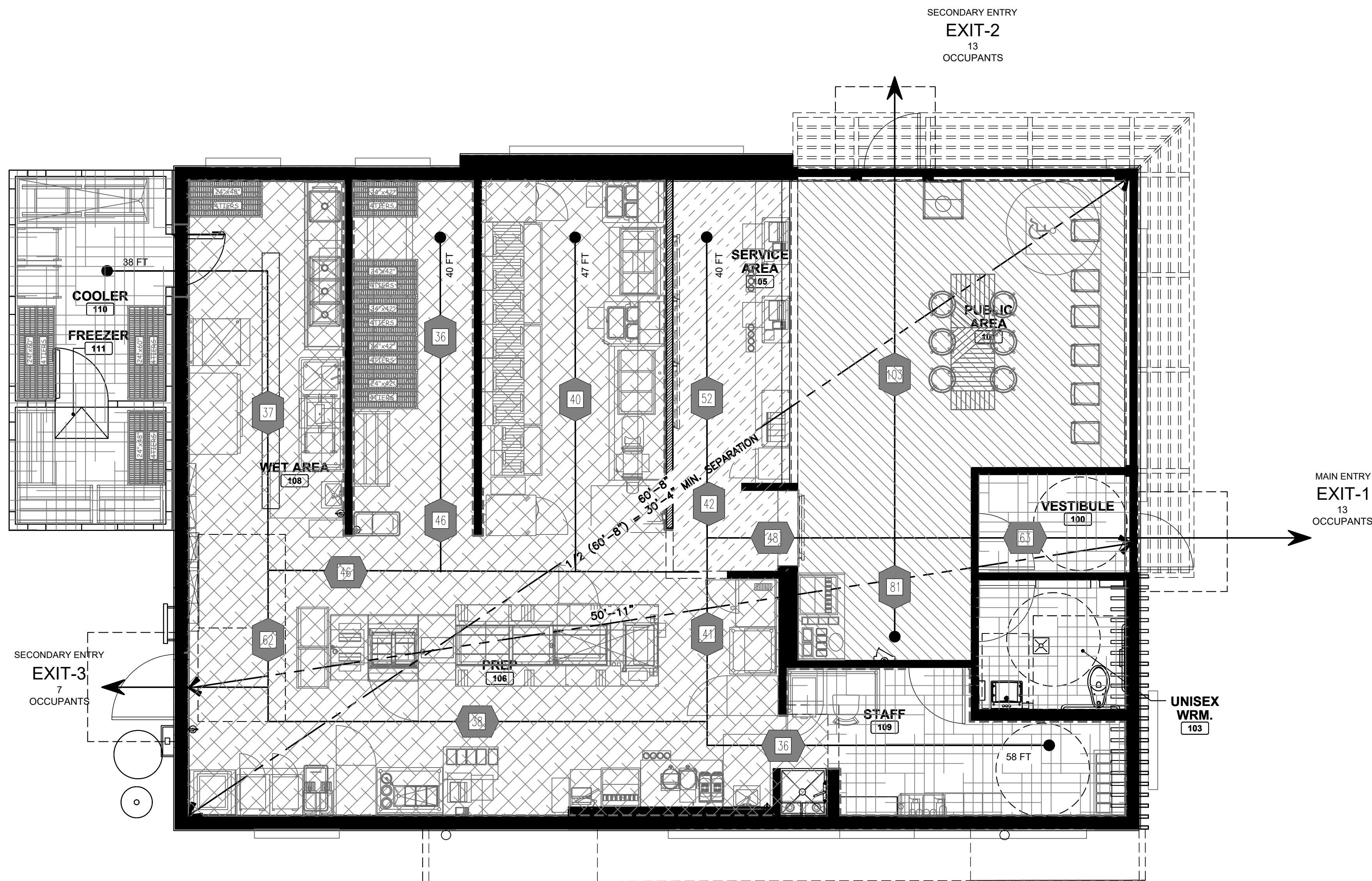
Location: 1517 NC 24-87 CAMERON, NC

Drawing Title: SITE DETAILS

Drawn	Checked
SH	AL
Scale	Date
AS NOTED	JUNE 2023
Project No.	Drawing No.
C22-129	AS2.3

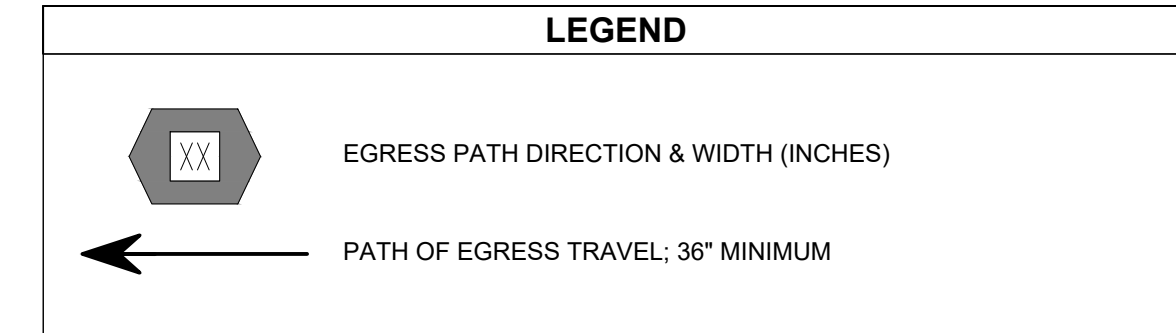
POPEYES LOUISIANA KITCHEN MODEL 2112, 1517 NC 24-87, CAMERON, NC (JUNE 01, 2023) STORE NO. C22-129

1 EXITING PLAN
SCALE: 1/4"=1'-0"



GENERAL NOTES:
A. FIRE EXTINGUISHER (K CLASS) TO BE PROVIDED BY G.C. VERIFY NUMBER AND LOCATION OF EXTINGUISHERS WITH LOCAL AUTHORITIES. SEE SHEET A2 FOR ADDITIONAL INFORMATION

OCCUPANCY SIGNAGE NOTES:
SIGNS STATING THE MAXIMUM OCCUPANT CONTENT SHALL BE CONSPICUOUSLY POSTED IN EACH AREA OF ASSEMBLY, ASSEMBLY ROOM, OR ROOM USED FOR SIMILAR PURPOSE.



BUILDING CODE INFORMATION
BUILDING CODE: 2018 INTERNATIONAL BUILDING CODE
OCCUPANCY CLASSIFICATION: BUSINESS & ASSEMBLY GROUP B & A-2
CONSTRUCTION TYPE: TYPE V-B
SPRINKLER: NOT SPRINKLERED
TOTAL MAXIMUM OCCUPANT LOAD: 25 OCCUPANTS
MERCANTILE AREA:
EXITING REQUIREMENTS:
MAX TRAVEL DISTANCE 200' (250' WITH SPRINKLER SYSTEM)
EXITS: TOTAL REQ: 1 TOTAL PROVIDED: 3 EGRESS WIDTH PER EXIT: 44" CLEAR
LOSS OF ONE REQUIRED MEANS OF EGRESS SHALL NOT REDUCE THE EGRESS CAPACITY TO LESS THAN 50% OF REQUIRED.

OCCUPANCY CALCULATIONS

BUILDING CODE:	SQFT	TOTAL PERSONS	TOTAL PERSONS
ASSEMBLY (RESTAURANT) 15 SQ.FT PER OCCUPANT			
DINING (CONCENTRATED)	224	15	
DINING (STANDING)	59	283	19
ASSEMBLY (STORAGE) 200 SQFT PER OCCUPANT			
KITCHEN	1,100	1,100	6
UNOCCUPIED AREAS			
VESTIBULE	42		
RESTROOM	56		
COOLER VAULT	154		
OFFICE	90	342	0
TOTAL OCCUPANCY			25

EGRESS CAPACITY

MAIN ENTRY EXIT 1 WIDTH	= 347.02' = 170 PERSONS
SECONDARY EXIT 2 WIDTH	= 347.02' = 170 PERSONS
SECONDARY EXIT 3 WIDTH	= 407.02' = 200 PERSONS
TOTAL	= 540 PERSONS

ISSUE TABLE

No.	Date (mm/dd/yyyy)	Description

REVISIONS

No.	Date	Description
1	8/01/2023	RESPONSE TO CITY
2	9/04/2023	HEALTH COMMENTS
3	9/12/2023	RESPONSE TO CITY
4	9/12/2023	HEALTH COMMENTS

DRAWINGS REVISED AS PER DESIGN BULLETIN

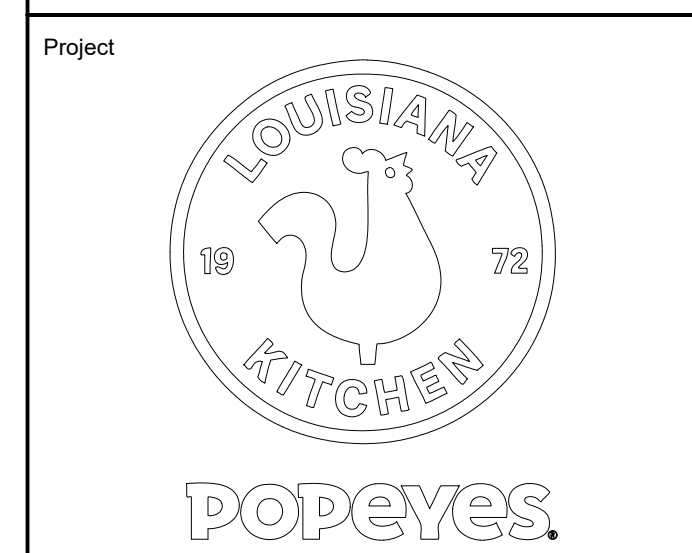
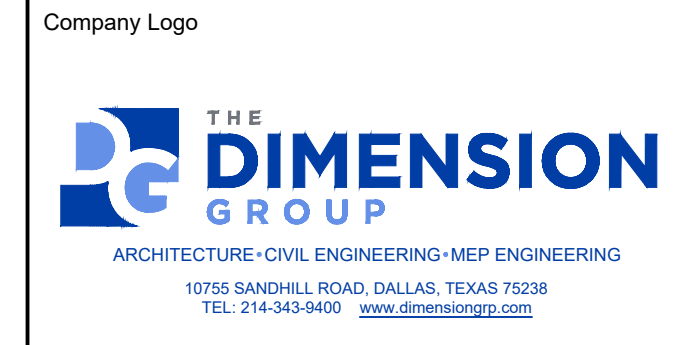
No.	Date	Description



THIS DRAWING IS OWNED BY OR LICENSED FOR USE BY POPEYES LOUISIANA KITCHEN (OR ITS AFFILIATED OR RELATED COMPANIES) AND MAY NOT BE REPRODUCED, USED, DOWNLOADED, DISSEMINATED, PUBLISHED, OR TRANSMITTED IN ANY FORM OR BY ANY MEANS, EXCEPT WITH THE PRIOR WRITTEN CONSENT OF POPEYES LOUISIANA KITCHEN. COPYRIGHT INFRINGEMENT IS A VIOLATION OF FEDERAL LAW SUBJECT TO CRIMINAL AND CIVIL PENALTIES.
THE CONTRACTOR IS TO VERIFY ALL DIMENSIONS AND CONDITIONS ON THE PROJECT AND TO REPORT ANY DISCREPANCIES TO THE POPEYES LOUISIANA KITCHEN REPRESENTATIVE PRIOR TO COMMENCING WORK. THESE DRAWINGS ARE NOT TO BE USED FOR CONSTRUCTION PURPOSES UNLESS INDICATED BY POPEYES LOUISIANA KITCHEN AS ISSUED FOR CONSTRUCTION.



9.14.2023



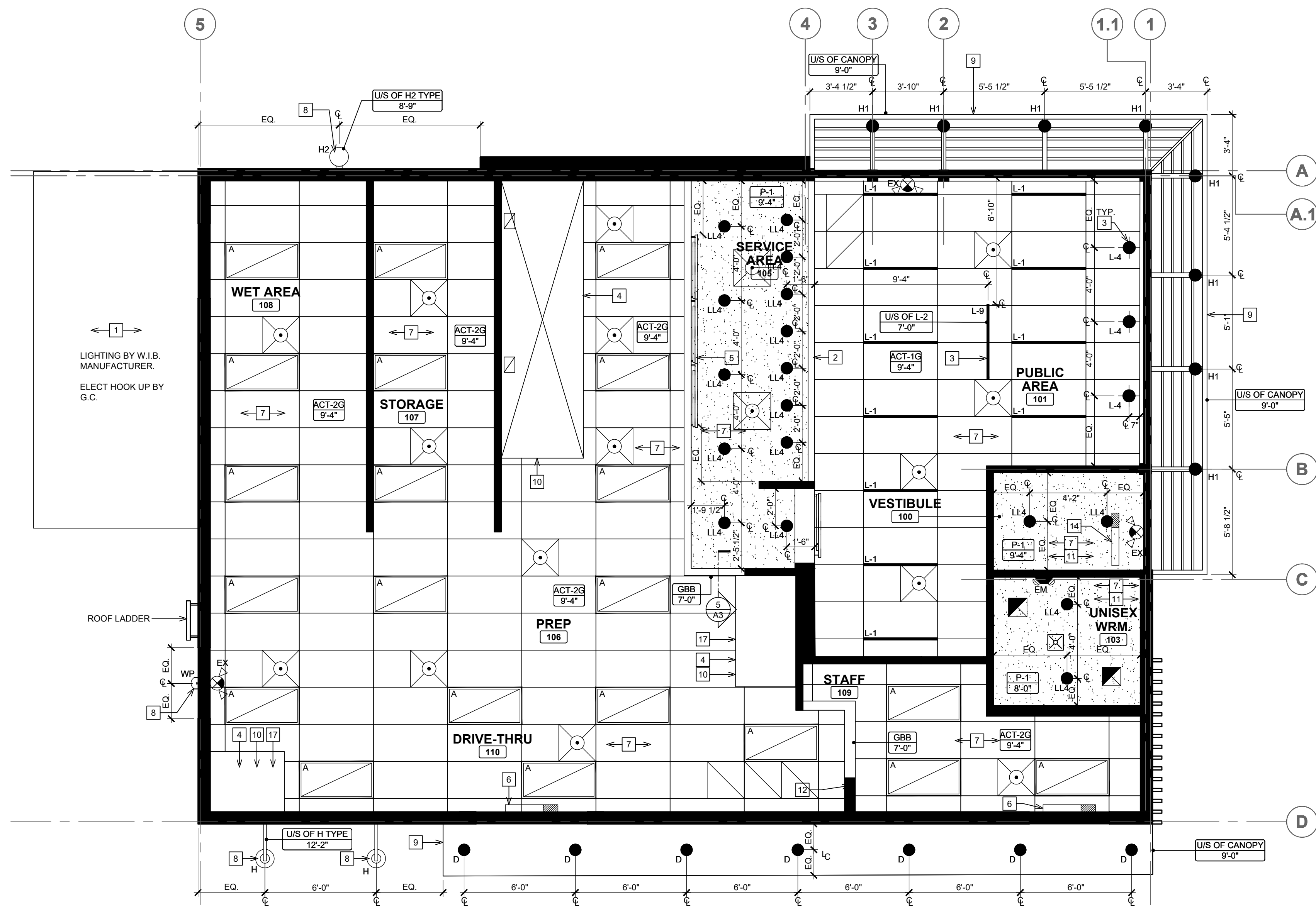
Store Type: US 2112 PROTOTYPE 2112-21

Location: 1517 NC 24-87 CAMERON, NC

Drawing Title: LIFE SAFETY & EXITING PLAN

Drawn: SH	Checked: AL
Scale: AS NOTED	Date: JUNE 2023
Project No.: C22-129	Drawing No.: AS2.4

POPEYES LOUISIANA KITCHEN MODEL 2112, 1517 NC 24-87, CAMERON, NC (JUNE 01, 2023) STORE NO. C22-129



SYMBOL LEGEND

	SECTION NUMBER DRAWING NUMBER
	NOTE REFERENCE
	DENOTES CEILING HT & MATERIAL
	GBB GYPSUM BOARD BULKHEAD
	LGB LAY-IN GYPSUM BOARD
	HVAC DUCTWORK WITH AIR GRILLE. REFER TO MECHANICAL DRAWINGS.
	RETURN AIR GRILLE. REFER TO MECHANICAL DRAWINGS.
	SUPPLY AIR GRILLE. REFER TO MECHANICAL DRAWINGS.
	EXHAUST FAN. REFER TO MECHANICAL DRAWINGS.
	SPEAKERS ATTACHED TO U/S OD TRUSS. REFER TO ELECTRICAL DRAWINGS.
	RADIO & AMPLIFIER. REFER TO ELECTRICAL DRAWINGS.
	AIR TRANSFER DUCT. REFER TO MECHANICAL DRAWINGS.
	CEILING MOUNTED HORN / STROBE INDICATING DEVICE. REFER TO ELECTRICAL DRAWINGS.
	CEILING MOUNTED STROBE ONLY DEVICE. REFER TO ELECTRICAL DRAWINGS.

ELECTRICAL SCHEDULE

	2'-0" X 4'-0" RECESSED FIXTURE
	PENDANT LIGHTING INSTALLED @ 7'-0" A.F.F. REFER TO ELECTRICAL DRAWINGS AND MASTER SCHEDULE.
	RECESSED DOWN LIGHT. REFER TO ELECTRICAL DRAWINGS AND MASTER SCHEDULE.
	LINEAR LIGHTING INSTALLED @ 9'-4" A.F.F. REFER TO ELECTRICAL DRAWINGS AND MASTER SCHEDULE.
	LINEAR SUSPENDED LIGHTING INSTALLED @ 7'-0" A.F.F. REFER TO ELECTRICAL DRAWINGS AND MASTER SCHEDULE.
	CANOPY DOWN LIGHT. REFER TO ELECTRICAL DRAWINGS AND MASTER SCHEDULE.
	RECESSED DOWN LIGHT IN CANOPIES. REFER TO ELECTRICAL DRAWINGS AND MASTER SCHEDULE.
	EXTERIOR LIGHTING. REFER TO ELECTRICAL DRAWINGS AND MASTER SCHEDULE.
	EMERGENCY LIGHTING. REFER TO ELECTRICAL DRAWINGS AND MASTER SCHEDULE.
	EMERGENCY LIGHTING. REFER TO ELECTRICAL DRAWINGS AND MASTER SCHEDULE.
	EXTERIOR WALL PACK LIGHTING. REFER TO ELECTRICAL DRAWINGS AND MASTER SCHEDULE.

REFER TO ELECTRICAL DRAWINGS FOR SPECIFICATIONS

ISSUE TABLE

No.	Date (mm/dd/yy)	Description

REVISIONS

No.	Date	Description
1	8/01/2023	RESPONSE TO CITY
2	9/04/2023	HEALTH COMMENTS
3	9/12/2023	RESPONSE TO CITY
4	9/12/2023	HEALTH COMMENTS

DRAWINGS REVISED AS PER DESIGN BULLETIN

No.	Date	Description



THIS DRAWING IS OWNED BY OR LICENSED FOR USE BY POPEYES LOUISIANA KITCHEN (OR ITS AFFILIATED OR RELATED COMPANIES) AND MAY NOT BE REPRODUCED, USED, DOWNLOADED, DISSEMINATED, PUBLISHED OR TRANSMITTED IN ANY FORM OR BY ANY MEANS, EXCEPT WITH THE PRIOR WRITTEN CONSENT OF POPEYES LOUISIANA KITCHEN. COPYRIGHT INFRINGEMENT IS A VIOLATION OF FEDERAL LAW SUBJECT TO CRIMINAL AND CIVIL PENALTIES.

THE CONTRACTOR IS TO VERIFY ALL DIMENSIONS AND CONDITIONS ON THE PROJECT AND TO REPORT ANY DISCREPANCIES TO THE POPEYES LOUISIANA KITCHEN REPRESENTATIVE PRIOR TO COMMENCING WORK. THESE DRAWINGS ARE NOT TO BE USED FOR CONSTRUCTION PURPOSES UNLESS INDICATED BY POPEYES LOUISIANA KITCHEN AS "ISSUED FOR CONSTRUCTION".



9.14.2023

Company Logo

ARCHITECTURE-CIVIL ENGINEERING-MEP ENGINEERING
10755 SANDHILL ROAD, DALLAS, TEXAS 75238
TEL: 214-343-9400 www.dimensiongroup.com

Project

POPEYES

Store Type
US 2112 PROTOTYPE
2112-21

Location
1517 NC 24-87
CAMERON, NC

Drawing Title
REFLECTED
CEILING PLAN &
DETAILS

Drawn	SH	Checked	AL
Scale	1/4"=1'-0"	Date	JUNE 2023
Project No.	C22-129	Drawing No.	A3

NOTE:

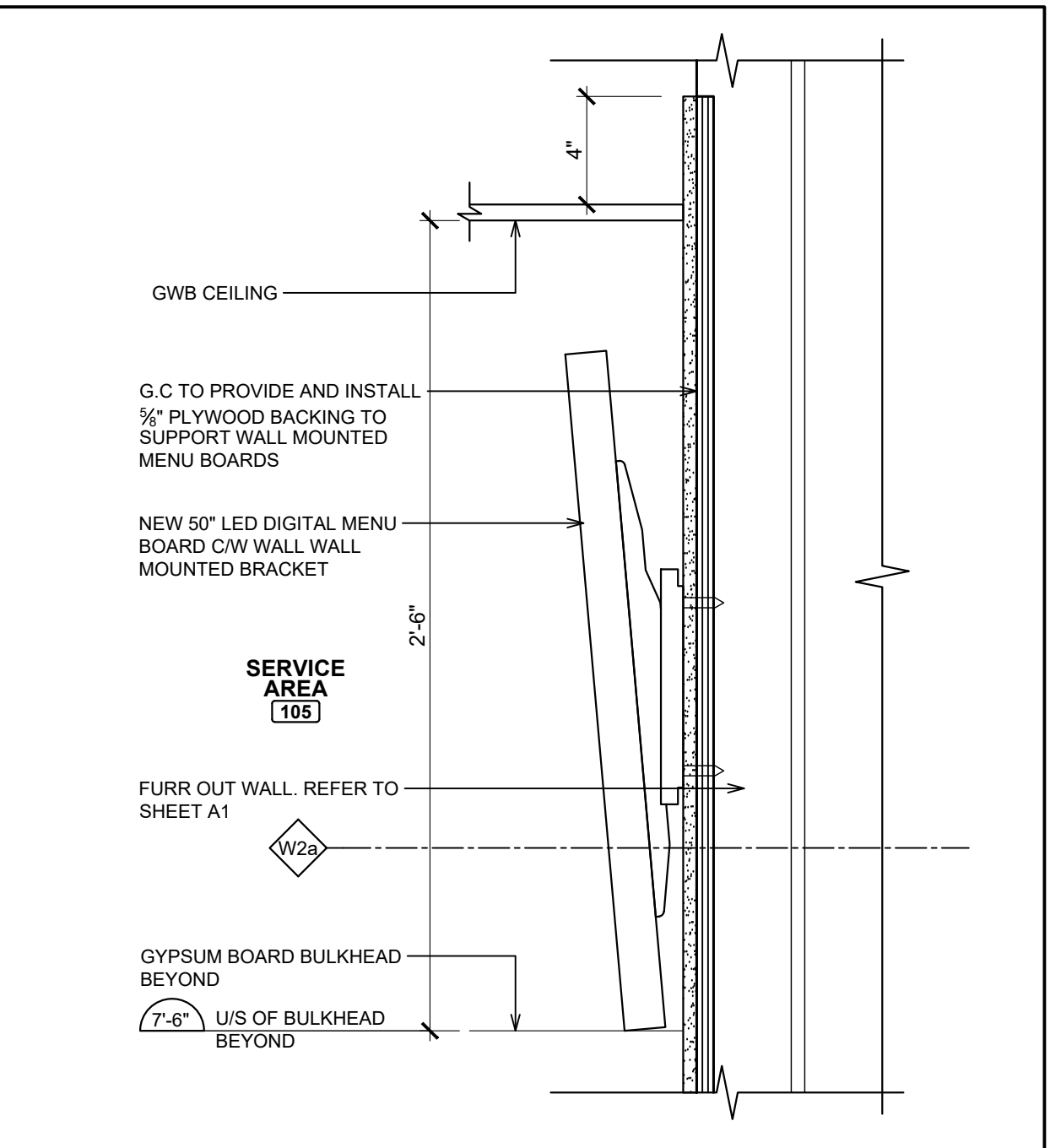
- THE GENERAL CONTRACTOR IS TO ENSURE THE FOLLOWING ITEMS ARE BUILT IN ACCORDANCE WITH STRUCTURAL DRAWINGS AND TO MEET CODE REQUIREMENTS (INCLUDING SEISMIC AND LATERAL RESTRAINT) AS REQUIRED:
 - SUSPENDED SHELVING SUPPORTS
 - SEISMIC AND LATERAL RESTRAINT FOR DUCTWORK
 - SUSPENDED CEILING PANELS, GYPSUM BOARD / T-BAR CEILINGS IN RELATION TO SEISMIC AND LATERAL RESTRAINT.
- THE GENERAL CONTRACTOR IS RESPONSIBLE THAT ALL SUB-TRADES HAVE RETAINED A QUALIFIED STRUCTURAL ENGINEER TO REVIEW THEIR APPROPRIATE WORK. STRUCTURAL ENGINEER(S) TO ISSUE LETTER (ON THEIR LETTERHEAD) STATING THAT ALL WORK MEETS THE REQUIREMENT OF BUILDING CODE FOR SEISMIC RESTRAINTS.

CEILING PLAN NOTES

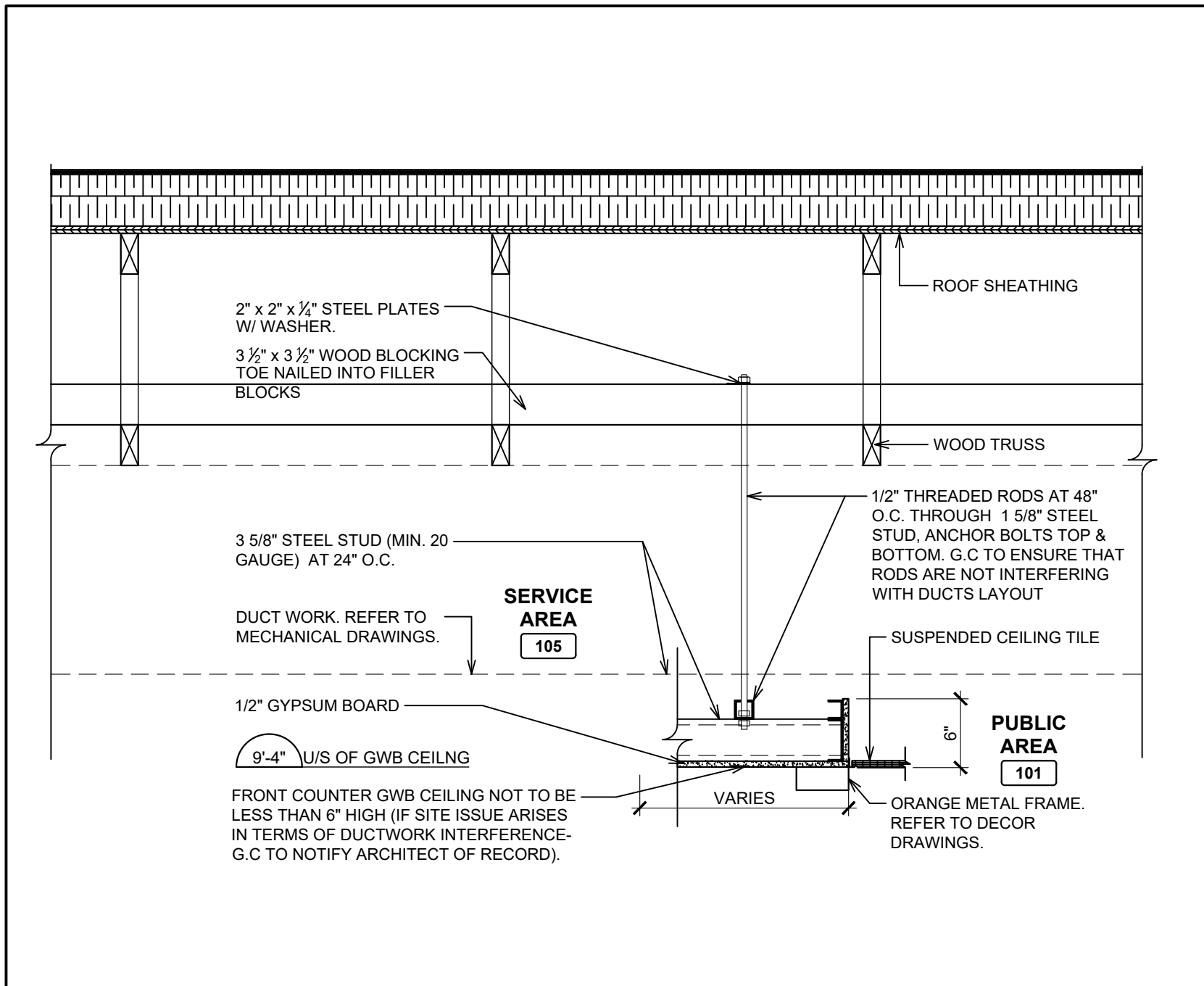
- REFER TO WALK-IN FREEZER & COOLER MANUFACTURER FOR EVAPORATOR AND LIGHTING. FINAL CONNECTION BY G.C.
- ORANGE METAL FRAME AROUND OPENING OF FRONT COUNTER. REFER TO POPEYES DECOR PACKAGE.
- ALL PENDANTS / LIGHTS TO BE SUPPLY BY GC / OWNER AND INSTALLED BY G.C. JUNCTION BOX AND FINAL ELECTRICAL CONNECTION BY G.C. PENDANT LIGHTS TO BE MOUNTED AT 7'-0" A.F.F. REFER TO ELECTRICAL DRAWINGS FOR FIXTURE INFORMATION.
- EXHAUST HOODS SUPPLY BY OWNER AND INSTALL BY G.C. REFER TO MECHANICAL DRAWINGS.
- WALL MOUNTED LED SCREENS SUPPLIED BY POPEYES. AND INSTALLED BY G.C. REFER TO DETAIL 3/A3. G.C TO PROVIDE & INSTALL ADEQUATE BLOCKING/BACKING FOR SUPPORT.
- PROPOSED LOCATION OF AIR CURTAIN IF REQUESTED BY RESTAURANT OWNER. REFER TO MECHANICAL/ELECTRICAL DRAWINGS. GC TO PROVIDE AND INSTALL ELECTRICAL POWER FOR FUTURE AIR CURTAIN. OPERATORS TO BE PROVIDED AT DRIVE-THRU WINDOW IF AIR CURTAIN IS INSTALLED. ALL ELECTRICAL OUTLETS PROVIDED TO BE CAPPED OFF. REFER TO ELECTRICAL DRAWINGS.
- ALL DIFFUSERS & RETURN AIR GRILLES TO MATCH CEILINGS (THROUGHOUT THE ENTIRE RESTAURANT).
- REFER TO EXTERIOR ELEVATIONS FOR MOUNTING LOCATION OF WALL MOUNTED LIGHT FIXTURES (TYP.)
- LINE OF CANOPY ABOVE. SUPPLY AND INSTALL BY SIGNAGE VENDOR. REFER TO DETAILS AND STRUCTURAL DRAWINGS.
- G.C. TO SUPPLY AND INSTALL 20 GA. STAINLESS STEEL PANEL ON CEILING TILE W/ HOLD DOWN CLIP AROUND EXHAUST HOOD. DO NOT FASTEN TO EXHAUST HOOD. ANY DAMAGED TO THE EQUIPMENT HOOD WILL BE AT THE COST OF G.C.
- CEILING IN PUBLIC RESTROOMS / WASHROOM VESTIBULE TO BE PAINTED GYPSUM BOARD INSTALLED OVER 2' X 4' WOOD CEILING FRAMING @ 2'-0" O.C.
- RAINWATER LEADER. REFER TO MECHANICAL DRAWINGS.
- G.C. TO SUPPLY AND INSTALL EXHAUST FAN IN THE CABINET TO VENT ABOVE CEILING AT OFFICE DESK.
- HOOD USED ONLY WHERE THE CITY REQUESTS HOOD ABOVE EQUIPMENT.
- FRONT COUNTER BULKHEAD. REFER TO DETAIL 4/A3. FRONT COUNTER BULKHEAD NOT TO BE LESS THAN 6" HIGH (IF SITE ISSUE ARISES IN TERMS OF DUCTWORK INTERFERENCE- GC TO NOTIFY ARCHITECT OF RECORD).
- JLC T-BAR LED LINEAR LIGHTING FIXTURE INSTALL T-BAR GRID. REFER TO FINISH SCHEDULE.

1 REELECTED CEILING PLAN

A3 SCALE: 1/4"=1'-0"



3 MENU SCREEN DETAIL (WALL MOUNTED)
A3 SCALE: 2"=1'-0"



4 FRONT COUNTER BULKHEAD DETAIL
A3 SCALE: 1"=1'-0"

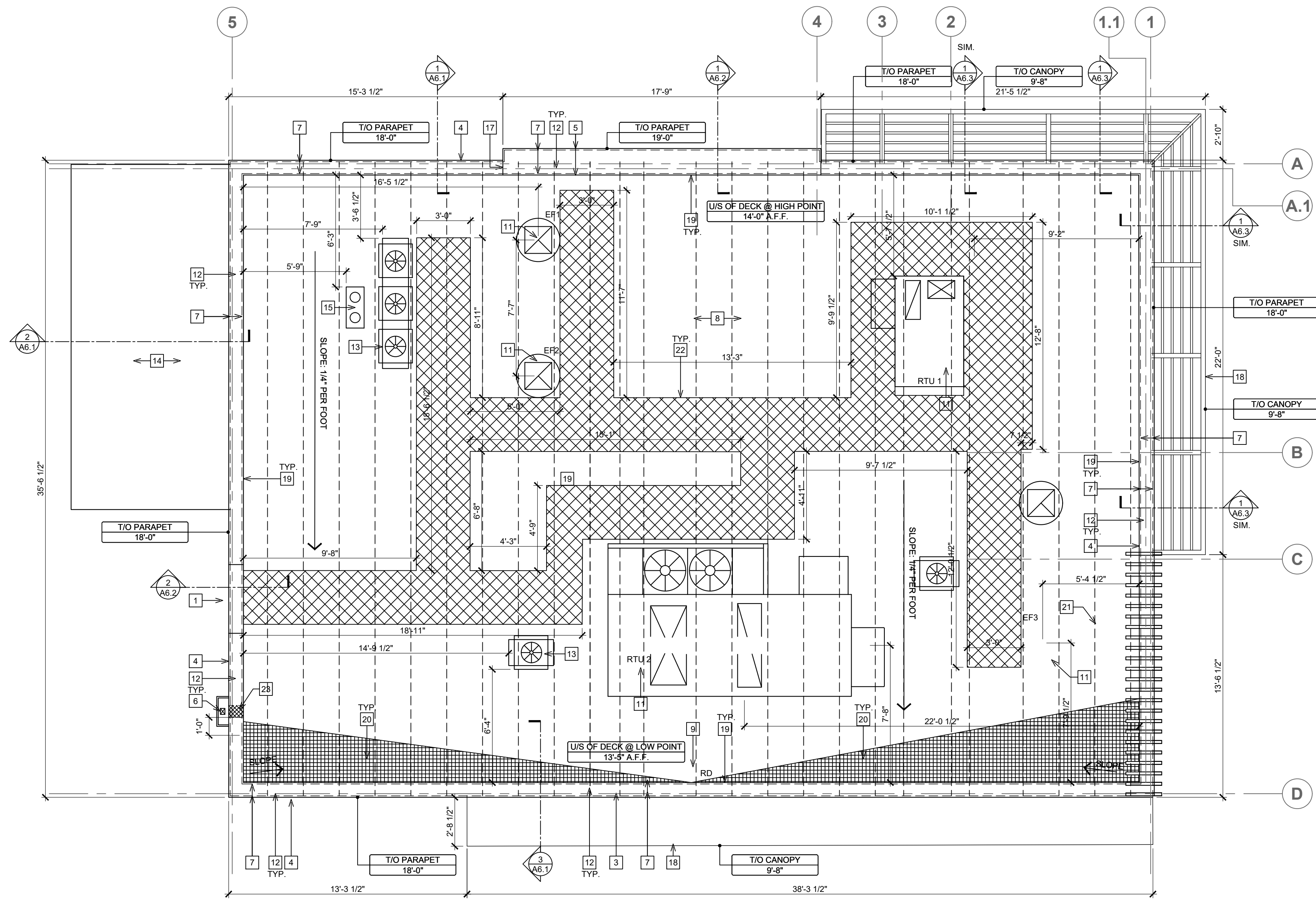
SECURITY CAMERA LEGEND (16.3)

CAP INDEX	SECURITY PACKAGE #	CAMERA #S
0<100	1	1-4
100-250	2	1-8
>250	3	1-12

NOTES:
- WITH PACKAGE #2 AND #3, 4 EXTRA CAMERAS ARE AVAILABLE TO BE LOCATED AT THE OWNERS DISCRETION
* IF A CAMERA IS INSTALLED IN STAFF AREA, OWNER IS TO INFORM STAFF. *

CAMERAS # NUMBER OF CAMERAS

POPEYES LOUISIANA KITCHEN MODEL 2112, 1517 NC 24-87, CAMERON, NC (JUNE 01, 2023) STORE NO. C22-129



SYMBOL LEGEND

1	DETAIL NUMBER
A1	DRAWING NUMBER
1	NOTE REFERENCE

NOTE:
ALL ROOFING TO BE IN STRICT ACCORDANCE WITH THE NATIONAL ROOFING CONTRACTORS ASSOCIATION ROOFING MANUAL

G.C IS RESPONSIBLE FOR SEALING ALL ROOF PENETRATIONS UPON COMPLETION OF THE PROJECT.

ROOF TYPE LEGEND

ROOF ASSEMBLY:

- 1/2" EPS INSULATION (OR APPROVED EQUAL)
- 2 LAYERS OF RIGID INSULATION (R-33 MIN.)
- 10mil VAPOUR RETARDER
- WOOD ROOF DECK
- WOOD TRUSS
- (AS PER NRCA STANDARDS)

CALCULATED ROOF AREA

HORIZONTAL ROOF SURFACE (S.F)	1694
VERTICAL SURFACE 50% AREA (S.F)	589
TOTAL PROJECTED ROOF AREA (S.F)	2283

DRAINAGE CALCULATIONS:

(SIZE OF VERTICAL CONDUCTORS AND LEADERS)

100 YEAR, 1 HOUR RAIN FALL (IN.) (PER FIGURE 1106.1, NC PLUMBING CODE) 4"

VERTICAL LEADER SIZE (RECTANGULAR) 3-1/2" X 4"

SPECIFIED LEADER CAPACITY (SINGLE) (PER TABLE 1106.2(2), NC PLUMBING CODE) 5300 S.F

REQUIRED OVERFLOW SCUPPER SIZE (SINGLE) 1" X 10.7"

VERTICAL LEADER (X1) CAPACITY PROVIDED 5,300 S.F.

ISSUE TABLE

No.	Date (mm/dd/yyyy)	Description

REVISIONS

No.	Date	Description
1	8/01/2023	RESPONSE TO CITY
2	9/04/2023	HEALTH COMMENTS
3	9/12/2023	RESPONSE TO CITY
4	9/12/2023	HEALTH COMMENTS

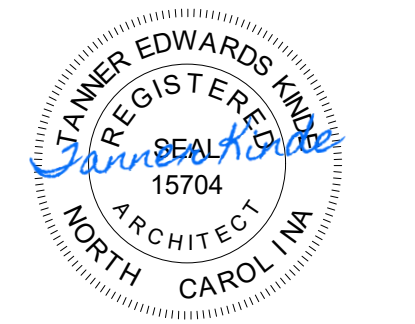
DRAWINGS REVISED AS PER DESIGN BULLETIN

No.	Date	Description



THIS DRAWING IS OWNED BY OR LICENSED FOR USE BY POPEYES LOUISIANA KITCHEN (OR ITS AFFILIATED OR RELATED COMPANIES) AND MAY NOT BE REPRODUCED, USED, DOWNLOADED, DISSEMINATED, PUBLISHED OR TRANSFERRED IN ANY FORM OR BY ANY MEANS, EXCEPT WITH THE PRIOR WRITTEN CONSENT OF POPEYES LOUISIANA KITCHEN. COPYRIGHT INFRINGEMENT IS A VIOLATION OF FEDERAL LAW SUBJECT TO CRIMINAL AND CIVIL PENALTIES.

THE CONTRACTOR IS TO VERIFY ALL DIMENSIONS AND CONDITIONS ON THE PROJECT AND TO REPORT ANY DISCREPANCIES TO THE POPEYES LOUISIANA KITCHEN REPRESENTATIVE PRIOR TO COMMENCING WORK. THESE DRAWINGS ARE NOT TO BE USED FOR CONSTRUCTION PURPOSES UNLESS INDICATED BY POPEYES LOUISIANA KITCHEN AS "ISSUED FOR CONSTRUCTION".



9.14.2023

Company Logo

ARCHITECTURE - CIVIL ENGINEERING - MEP ENGINEERING
10755 SANDHILL ROAD, DALLAS, TEXAS 75238
TEL: 214-343-9400 www.dimensiongrp.com

Project

POPEYES

Store Type

US 2112 PROTOTYPE
2112-21

Location

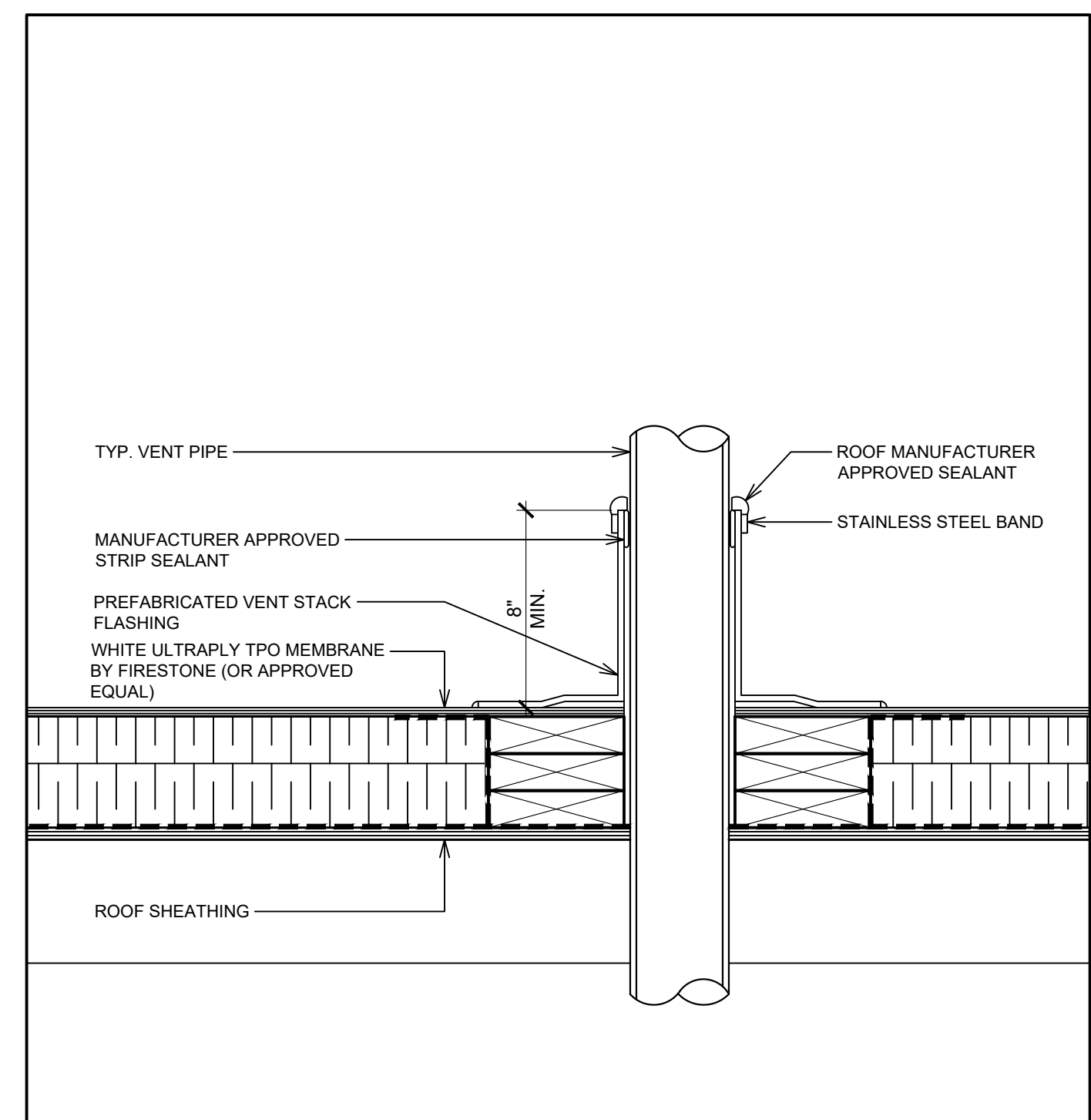
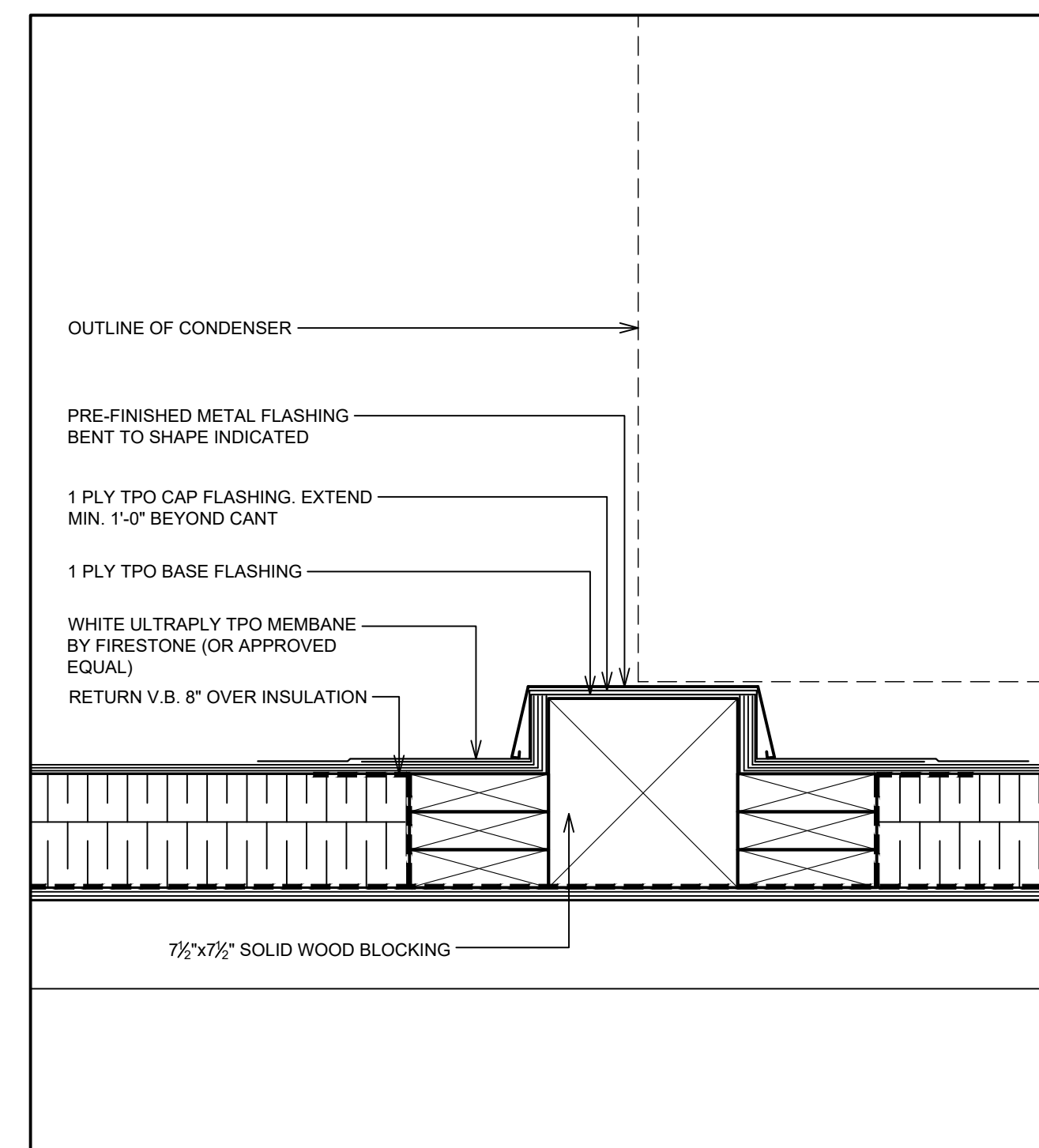
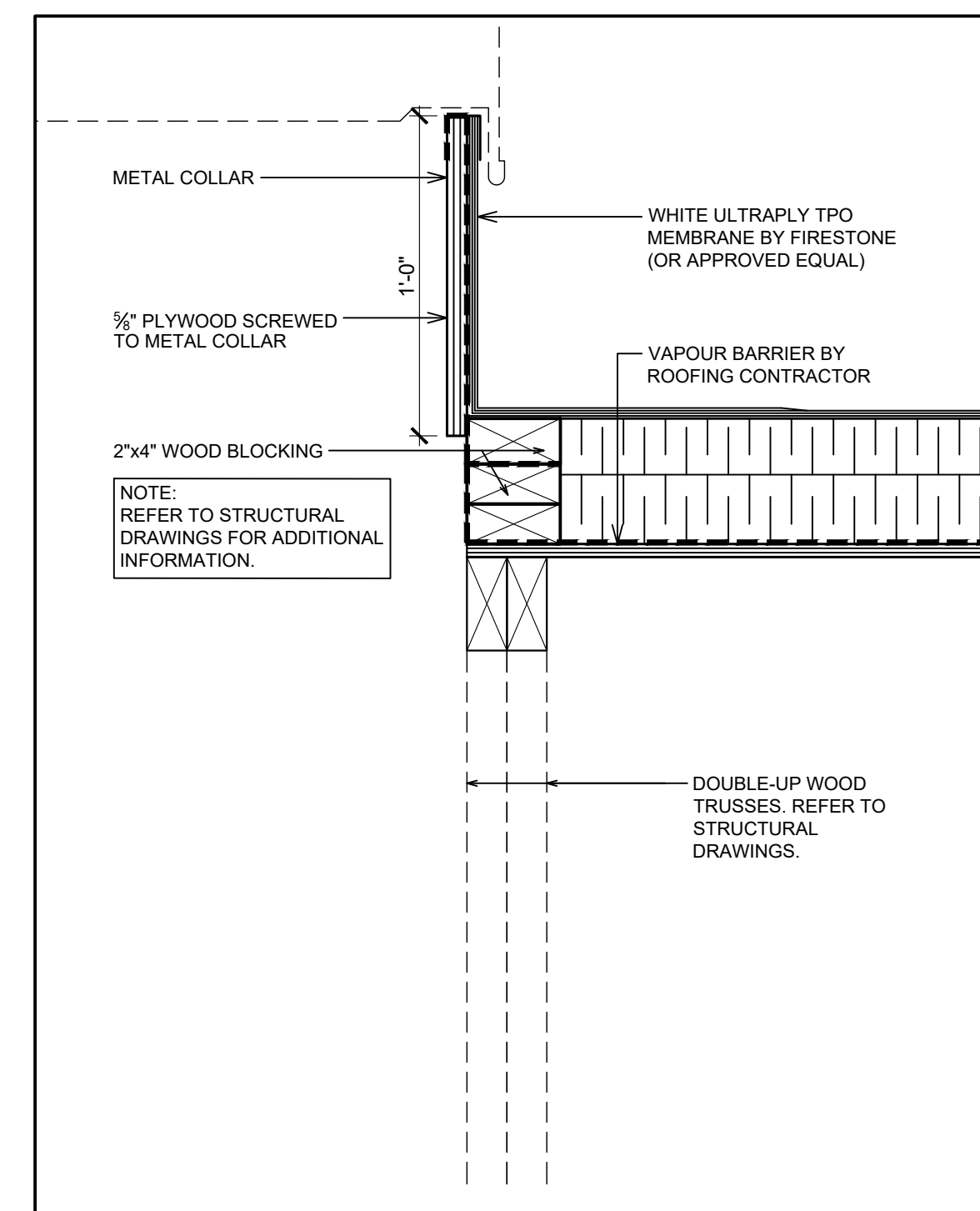
1517 NC 24-87
CAMERON, NC

Drawing Title

ROOF PLAN AND DETAILS

Drawn	SH	Checked	AL
Scale	1/4"=1'-0"	Date	JUNE 2023
Project No.	C22-129	Drawing No.	A4

1 ROOF PLAN
SCALE: 1/4"=1'-0"



- ROOF PLAN NOTES**
- ROOF ACCESS HATCH TO MATCH PRE-FINISHED METAL CAP FLASHING. REFER TO DETAIL 1/A6.3.
 - N/A.
 - N/A.
 - LINE OF PARAPET. REFER TO DETAIL ON SHEET 1/A7 & 9/A7.
 - LINE OF HIGH PARAPET. REFER TO DETAIL ON SHEET 5/A7.
 - PRE-FINISHED COLLECTOR BOX & DOWNSPOUT. REFER TO DETAIL 2/A4.1.
 - LINE OF WALL BELOW.
 - WHITE ULTRAPLY TPO MEMBRANE BY FIRESTONE (OR APPROVED EQUAL). REFER TO ROOF TYPE SCHEDULE & SPECIFICATIONS.
 - ROOF DRAIN. REFER MECHANICAL DRAWINGS.
 - WHITE ULTRAPLY TPO MEMBRANE BY FIRESTONE (OR APPROVED EQUAL) OVER DIAGONAL BRACING C/W RIGID INSULATION. REFER TO STRUCTURAL DRAWINGS.
 - H.V.A.C UNITS AND EXHAUST FANS AS PER MECHANICAL DRAWINGS. PROVIDE CURB WHERE REQUIRED. REFER TO DETAIL 2/A4.
 - PRE-FINISHED METAL CAP FLASHING. REFER TO EXTERIOR FINISH SCHEDULE ON SHEET AS FOR COLOUR AND TYPE.
 - PROVIDE SLEEPERS FOR ROOF TOP CONDENSER UNIT. SLEEPERS TO SPAN ACROSS JOISTS BELOW. REFER TO DETAIL 3/A4 & STRUCTURAL DRAWINGS.
 - EXTERIOR WALK-IN COOLER/FREEZER ROOF.
 - G.C TO PROVIDE AND INSTALL DOUBLE PIPE PORTAL (PART NO. 36002) C/W C-126 & C-212 CAP FOR PCL LINES FOR WALK-INS. ROOF OPENING (2'-3" x 1'-0") AND ROOF CURBS TO BE PROVIDED AND FURNISHED BY G.C. REFER TO DETAIL 4/A4 & 1/A4.1.
 - PROVIDE & INSTALL 3M NON-SLIP TAPE ON FLASHING AT LADDER LOCATION.
 - VINTAGEBRICK FINISH TO WRAP ON SIDE OF HIGH PARAPET WALLS. REFER TO EXTERIOR ELEVATIONS.
 - CANOPY BELOW. REFER TO EXTERIOR ELEVATIONS.
 - EXTEND ROOF MEMBRANE UP PARAPET WALL AND OVER TOP OF FRAMING (TYP.). SECURE PREFABRICATED ROOF EDGE CLEATS THROUGH MEMBRANE AS SPECIFIED BY MANUFACTURER. REFER TO WALL SECTIONS AND DETAILS.
 - CROSS HATCH INDICATES TAPERED INSULATION OVER SPECIFIED RIGID THERMAL INSULATION (TYP.) FIELD. VERIFY ROOF DRAIN LOCATIONS PRIOR TO INSTALLATION & INSTALL PER ROOF MANUFACTURER SPECIFICATIONS. G.C TO COORDINATE ACTUAL EXTENTS OF TAPERED INSULATION MATERIALS WITH ROOF INSTALLER & VERIFY INSTALLED COUNTER SLOPE OF 1/2" PER FOOT (MIN., AS MEASURED FROM LEVEL PLANE) TO DIRECT STORM WATER TOWARD ROOF DRAINS AS INDICATED ON PLAN.
 - VENTS. REFER TO MECHANICAL DRAWINGS & DETAIL 4/A4.
 - TPO WALK WAY PADS OR X-TREADS. REFER TO SPECIFICATIONS. CUT TPO WALK WAY PAD ROLLS TO MAXIMUM OF 9'-10". LEAVE A GAP OF 1" BETWEEN PIECES TO ALLOW FOR WATER DRAINAGE.
 - THRU-WALL SCUPPER W/ METAL FLANGE BY ROOFING MANUFACTURER. HOLD TOP OF COLLECTOR BOX 1" BELOW ROOF DECK TO ALLOW FOR SECONDARY OVERFLOW DRAINAGE. SECONDARY ROOF DRAIN SYSTEMS SHALL HAVE THE END POINT OF DISCHARGE SEPARATE FROM THE PRIMARY SYSTEM. DISCHARGE SHALL BE ABOVE GRADE. VERIFY OPENING REQUIREMENTS WITH LOCAL CONDITIONS.

POPEYES LOUISIANA KITCHEN MODEL 2112, 1517 NC 24-87, CAMERON, NC (JUNE 01, 2023) STORE NO. C22-129

ISSUE TABLE		
No.	Date (mm/dd/yyyy)	Description

REVISIONS		
No.	Date	Description
1	8/01/2023	RESPONSE TO CITY
2	9/04/2023	HEALTH COMMENTS
3	9/12/2023	RESPONSE TO CITY
4	9/12/2023	HEALTH COMMENTS

DRAWINGS REVISED AS PER DESIGN BULLETIN		
No.	Date	Description



PROJECT NORTH

THIS DRAWING IS OWNED BY OR LICENSED FOR USE BY POPEYES LOUISIANA KITCHEN (OR ITS AFFILIATED OR RELATED COMPANIES) AND MAY NOT BE REPRODUCED, USED, DOWNLOADED, DISSEMINATED, PUBLISHED OR TRANSFERRED IN ANY FORM OR BY ANY MEANS, EXCEPT WITH THE PRIOR WRITTEN CONSENT OF POPEYES LOUISIANA KITCHEN. COPYRIGHT INFRINGEMENT IS A VIOLATION OF FEDERAL LAW SUBJECT TO CRIMINAL AND CIVIL PENALTIES.

THE CONTRACTOR IS TO VERIFY ALL DIMENSIONS AND CONDITIONS ON THE PROJECT AND TO REPORT ANY DISCREPANCIES TO THE POPEYES LOUISIANA KITCHEN REPRESENTATIVE PRIOR TO COMMENCING WORK. THESE DRAWINGS ARE NOT TO BE USED FOR CONSTRUCTION PURPOSES UNLESS INDICATED BY POPEYES LOUISIANA KITCHEN AS "ISSUED FOR CONSTRUCTION".



9.14.2023

Company Logo

THE DIMENSION GROUP
 ARCHITECTURE-CIVIL ENGINEERING-MEP ENGINEERING
 10755 SANDHILL ROAD, DALLAS, TEXAS 75238
 TEL: 214-343-9400 www.dimensiongrp.com

Project

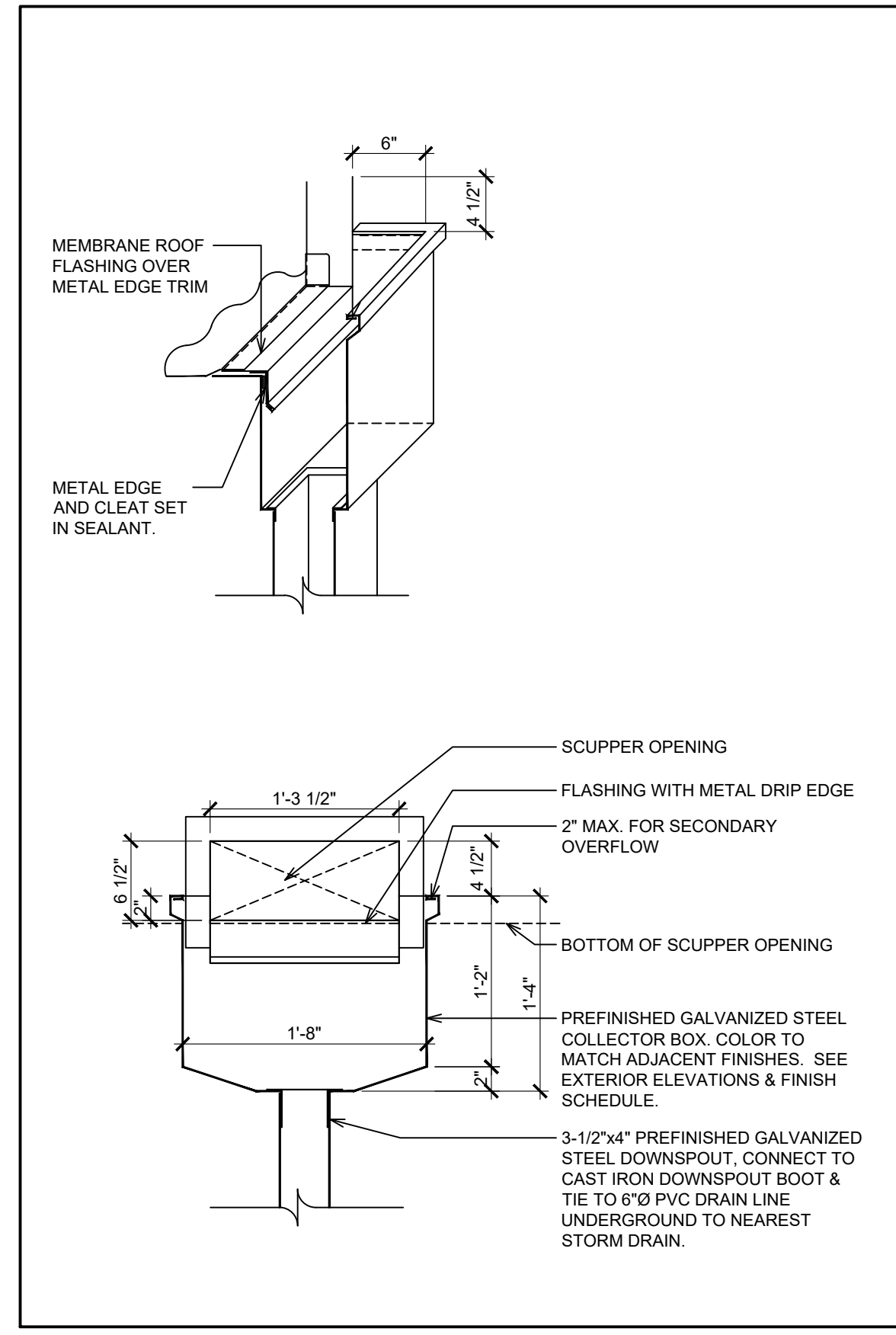
POPEYES

Store Type
US 2112 PROTOTYPE
2112-21

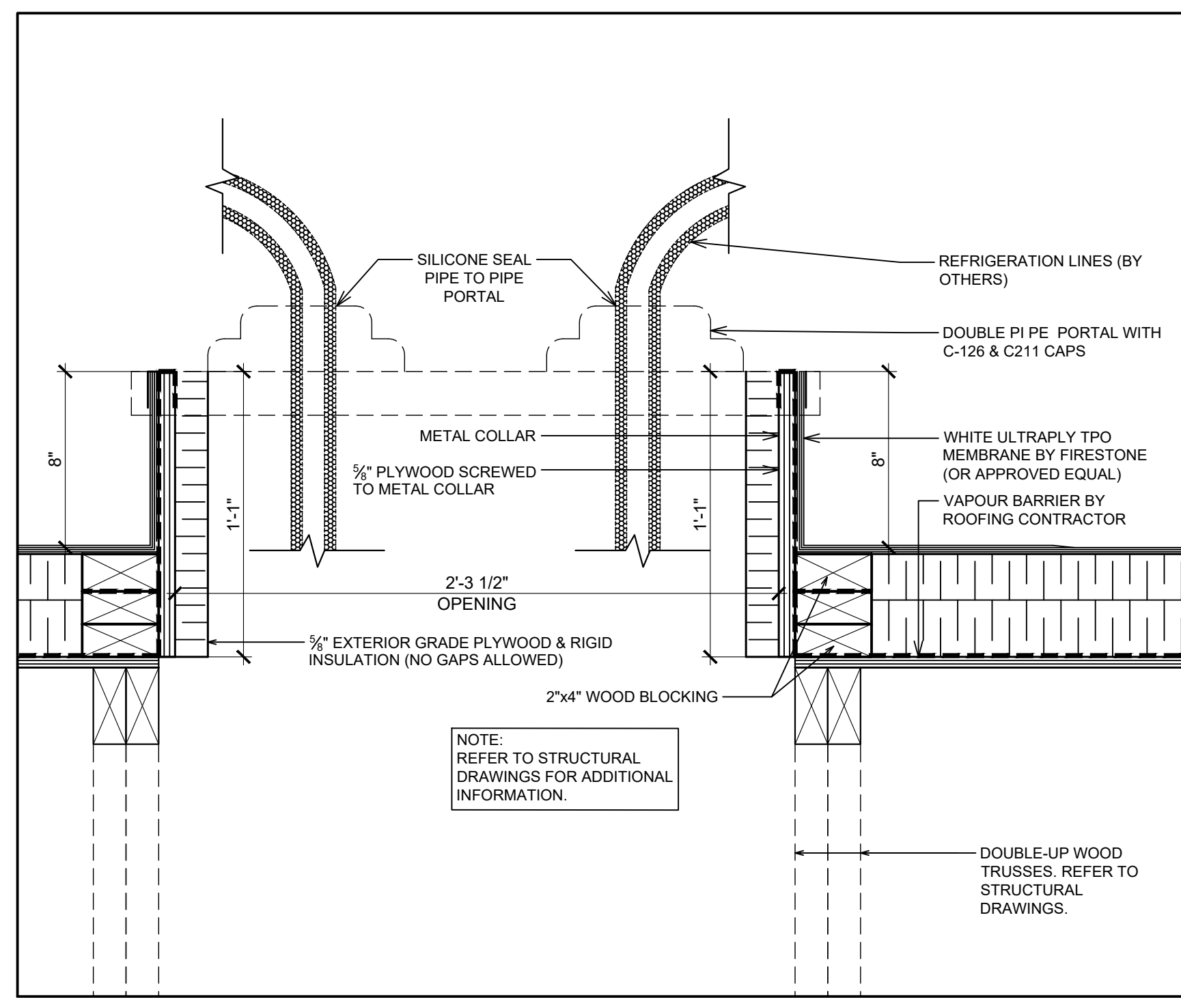
Location
**1517 NC 24-87
CAMERON, NC**

Drawing Title
ROOF DETAILS

Drawn SH	Checked AL
Scale 1/4"=1'-0"	Date JUNE 2023
Project No. C22-129	Drawing No. A4.1

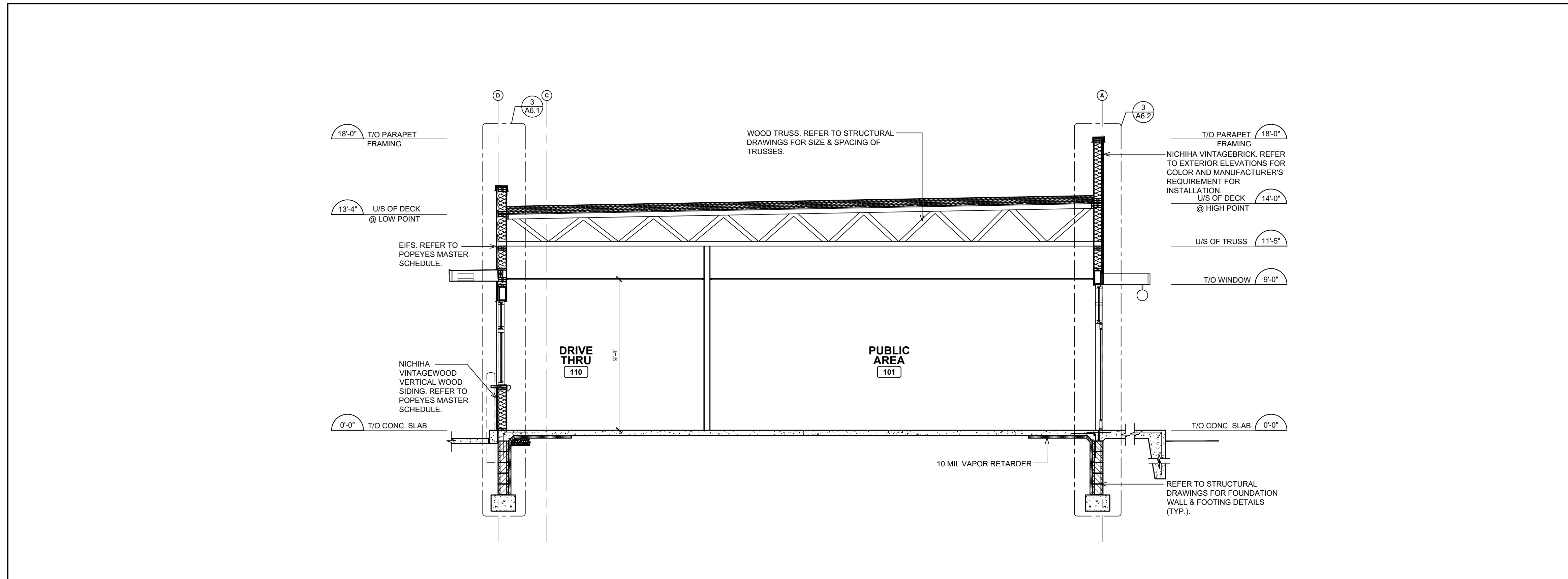


2 SCUPPER COLLECTOR DETAIL
 SCALE: 1"=1'-0"



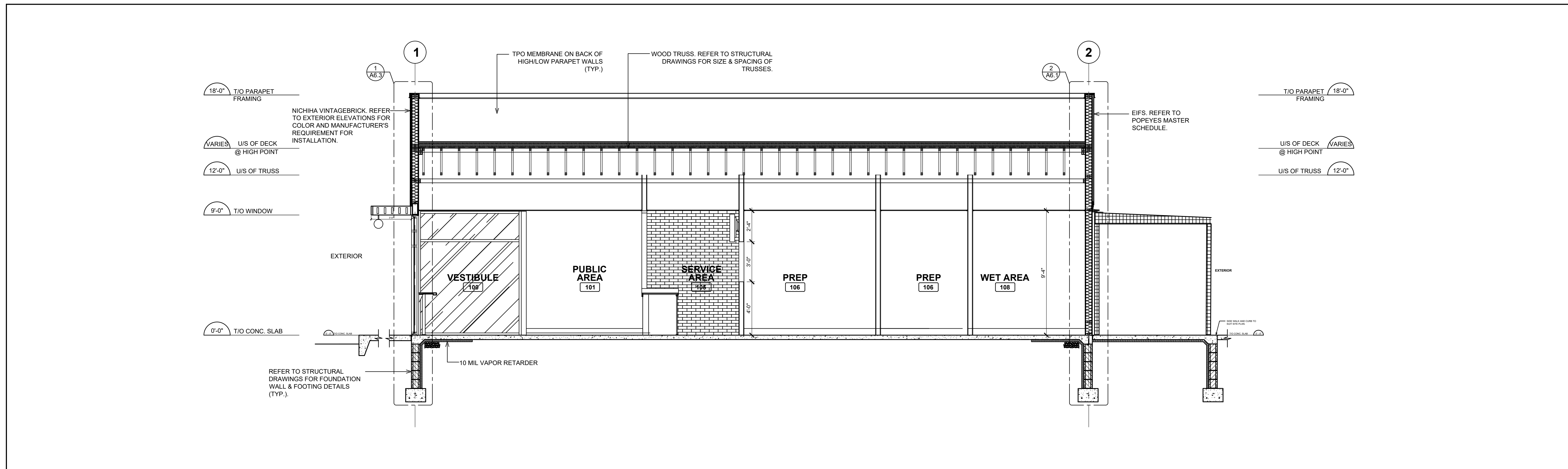
1 TYPICAL ROOF OPENING DETAIL AT PIPE PORTAL
 SCALE: 2"=1'-0"

POPEYES LOUISIANA KITCHEN MODEL 2112, 1517 NC 24-87, CAMERON, NC (JUNE 01, 2023) STORE NO. C22-129



1 BUILDING SECTION
 A6 SCALE: 1/4" = 1'-0"

NOTE:
 CONTINUE GYPSUM BOARD
 TO U/S OF DECK &
 BETWEEN TRUSSES AT
 EXTERIOR WALLS (TYP.).



2 BUILDING SECTION
 A6 SCALE: 1/4" = 1'-0"

ISSUE TABLE		
No.	Date (mm/dd/yyyy)	Description

REVISIONS		
No.	Date	Description
1	8/01/2023	RESPONSE TO CITY
2	9/04/2023	HEALTH COMMENTS
3	9/12/2023	RESPONSE TO CITY
4	9/12/2023	HEALTH COMMENTS

DRAWINGS REVISED AS PER DESIGN BULLETIN		
No.	Date	Description



THIS DRAWING IS OWNED BY OR LICENSED FOR USE BY POPEYES LOUISIANA KITCHEN (OR ITS AFFILIATED OR RELATED COMPANIES) AND MAY NOT BE REPRODUCED, USED, DOWNLOADED, DISSEMINATED, PUBLISHED, OR TRANSFERRED IN ANY FORM OR BY ANY MEANS, EXCEPT WITH THE PRIOR WRITTEN CONSENT OF POPEYES LOUISIANA KITCHEN. COPYRIGHT INFRINGEMENT IS A VIOLATION OF FEDERAL LAW SUBJECT TO CRIMINAL AND CIVIL PENALTIES.

THE CONTRACTOR IS TO VERIFY ALL DIMENSIONS AND CONDITIONS ON THE PROJECT AND TO REPORT ANY DISCREPANCIES TO THE POPEYES LOUISIANA KITCHEN REPRESENTATIVE PRIOR TO COMMENCING WORK. THESE DRAWINGS ARE NOT TO BE USED FOR CONSTRUCTION PURPOSES UNLESS INDICATED BY POPEYES LOUISIANA KITCHEN AS ISSUED FOR CONSTRUCTION.



9.14.2023

Company Logo

Project

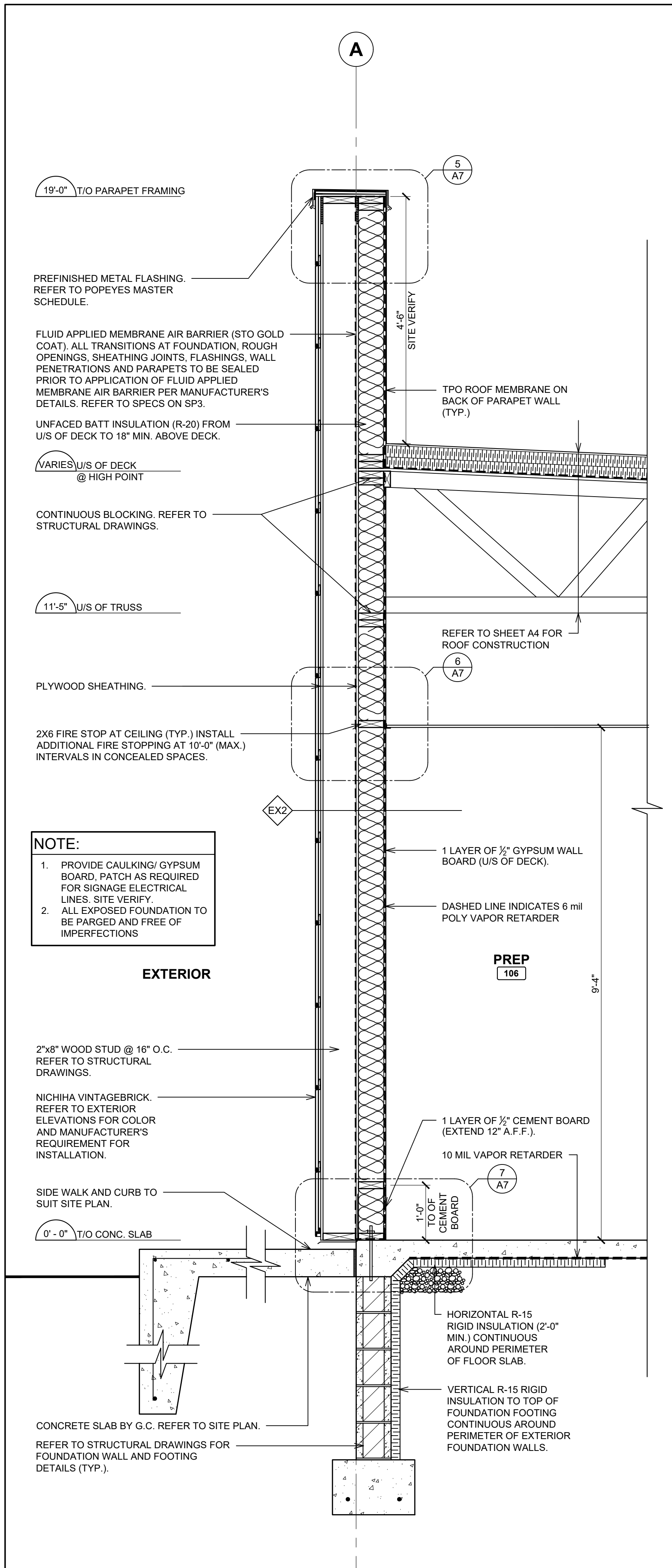
Store Type
 US 2112 PROTOTYPE
 2112-21

Location
 1517 NC 24-87
 CAMERON, NC

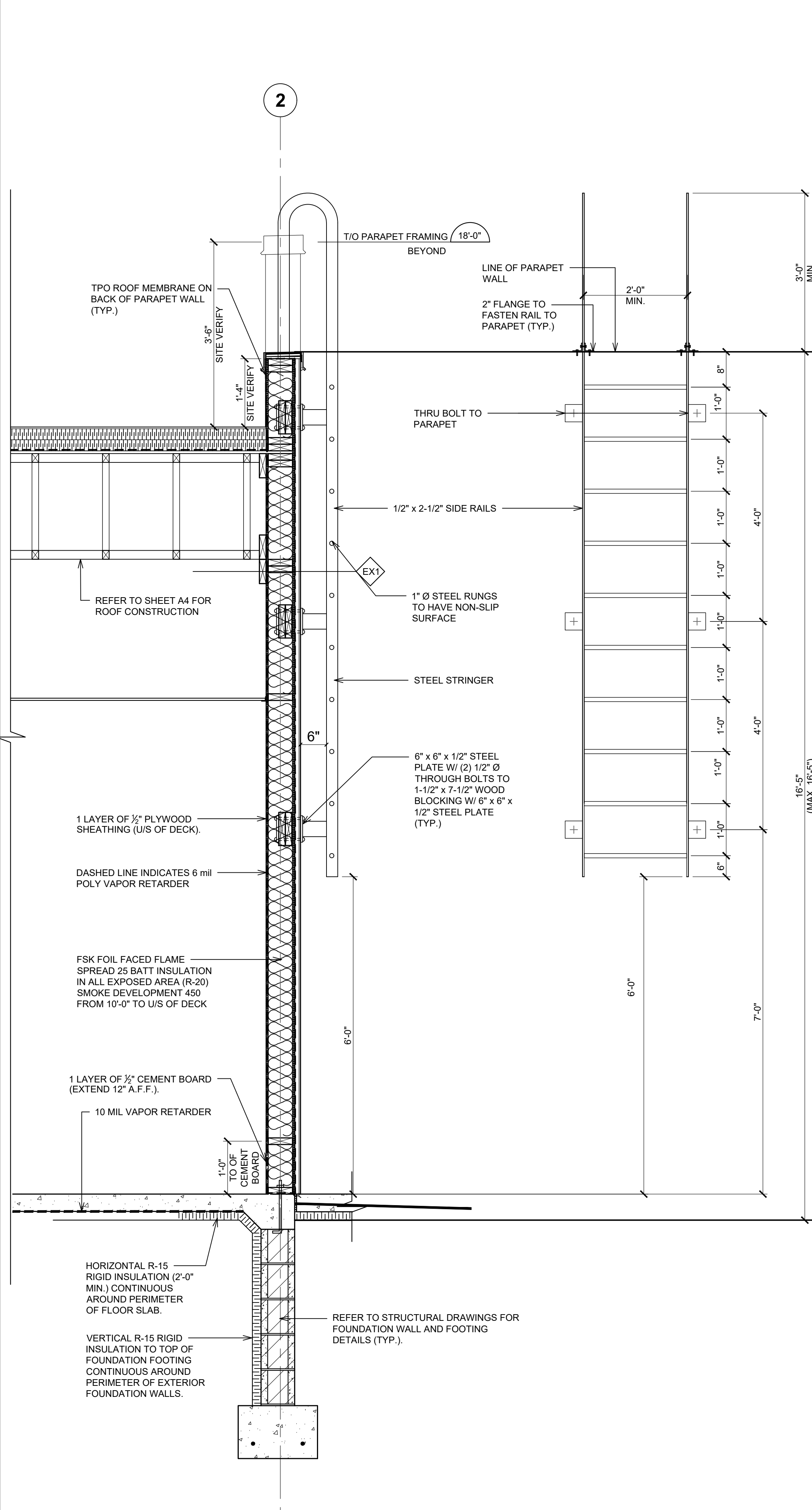
Drawing Title
 BUILDING SECTIONS

Drawn SH	Checked AL
Scale AS NOTED	Date JUNE 2023
Project No. C22-129	Drawing No. A6

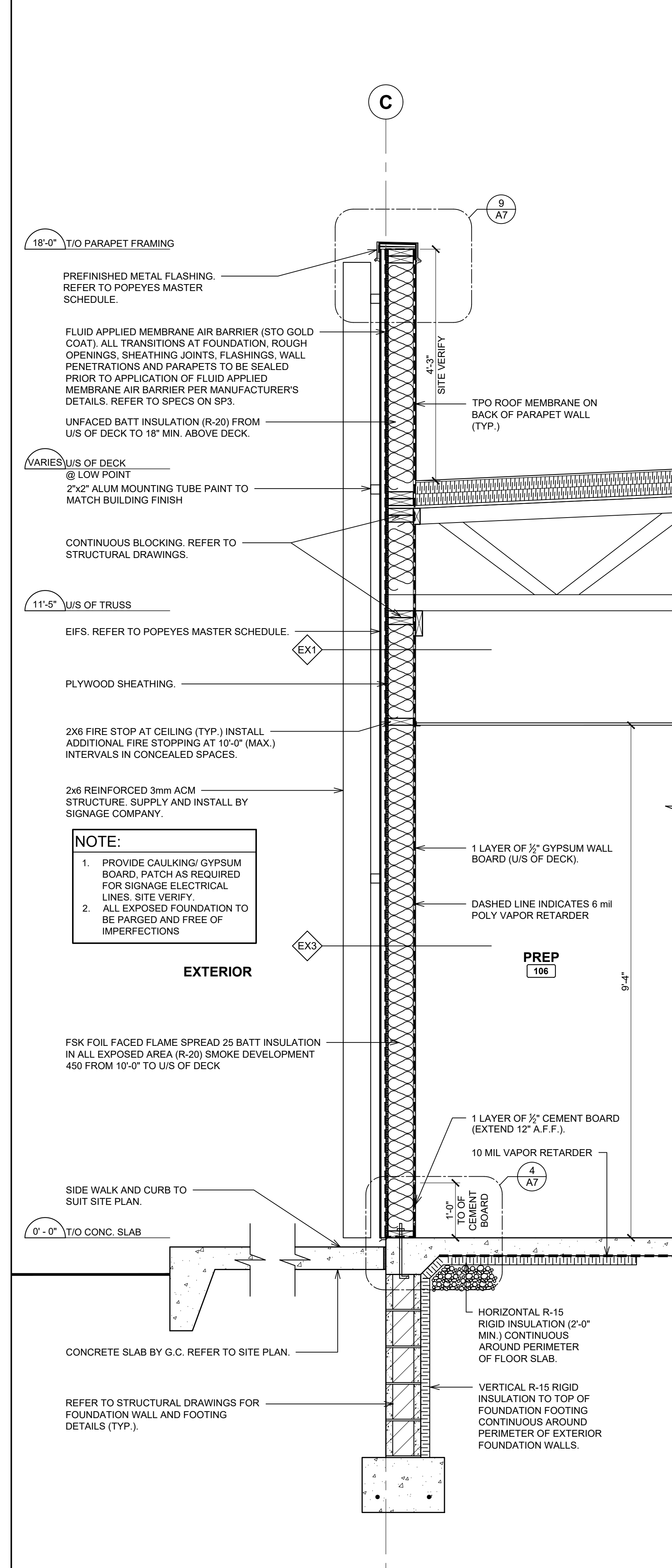
POPEYES LOUISIANA KITCHEN MODEL 2112, 1517 NC 24-87, CAMERON, NC (JUNE 01, 2023) STORE NO. C22-129



1 WALL SECTION @ FEATURE WALL
SCALE: 3/4" = 1'-0"



2 WALL SECTION @ LADDER
SCALE: 3/4" = 1'-0"



3 WALL SECTION @ WOOD SLATE
SCALE: 3/4" = 1'-0"

ISSUE TABLE		
No.	Date (mm/dd/yy)	Description

REVISIONS		
No.	Date	Description
1	8/01/2023	RESPONSE TO CITY
2	9/04/2023	HEALTH COMMENTS
3	9/12/2023	RESPONSE TO CITY
4	9/12/2023	HEALTH COMMENTS

DRAWINGS REVISED AS PER DESIGN BULLETIN		
No.	Date	Description

PROJECT NORTH

THIS DRAWING IS OWNED BY OR LICENSED FOR USE BY POPEYES LOUISIANA KITCHEN (OR ITS AFFILIATED OR RELATED COMPANIES) AND MAY NOT BE REPRODUCED, USED, DOWNLOADED, DISSEMINATED, PUBLISHED OR TRANSFERRED IN ANY FORM OR BY ANY MEANS, EXCEPT WITH THE PRIOR WRITTEN CONSENT OF POPEYES LOUISIANA KITCHEN. COPYRIGHT INFRINGEMENT IS A VIOLATION OF FEDERAL LAW SUBJECT TO CRIMINAL AND CIVIL PENALTIES.

THE CONTRACTOR IS TO VERIFY ALL DIMENSIONS AND CONDITIONS ON THE PROJECT AND TO REPORT ANY DISCREPANCIES TO THE POPEYES LOUISIANA KITCHEN REPRESENTATIVE PRIOR TO COMMENCING WORK. THESE DRAWINGS ARE NOT TO BE USED FOR CONSTRUCTION PURPOSES UNLESS INDICATED BY POPEYES LOUISIANA KITCHEN AS ISSUED FOR CONSTRUCTION.

9.14.2023

Company Logo

THE DIMENSION GROUP
ARCHITECTURE-CIVIL ENGINEERING-MEP ENGINEERING
10765 SANDHILL ROAD, DALLAS, TEXAS 75238
TEL: 214-345-9400 www.dimensiongroup.com

Project

LOUISIANA KITCHEN

POPEYES

Store Type

US 2112 PROTOTYPE
2112-21

Location

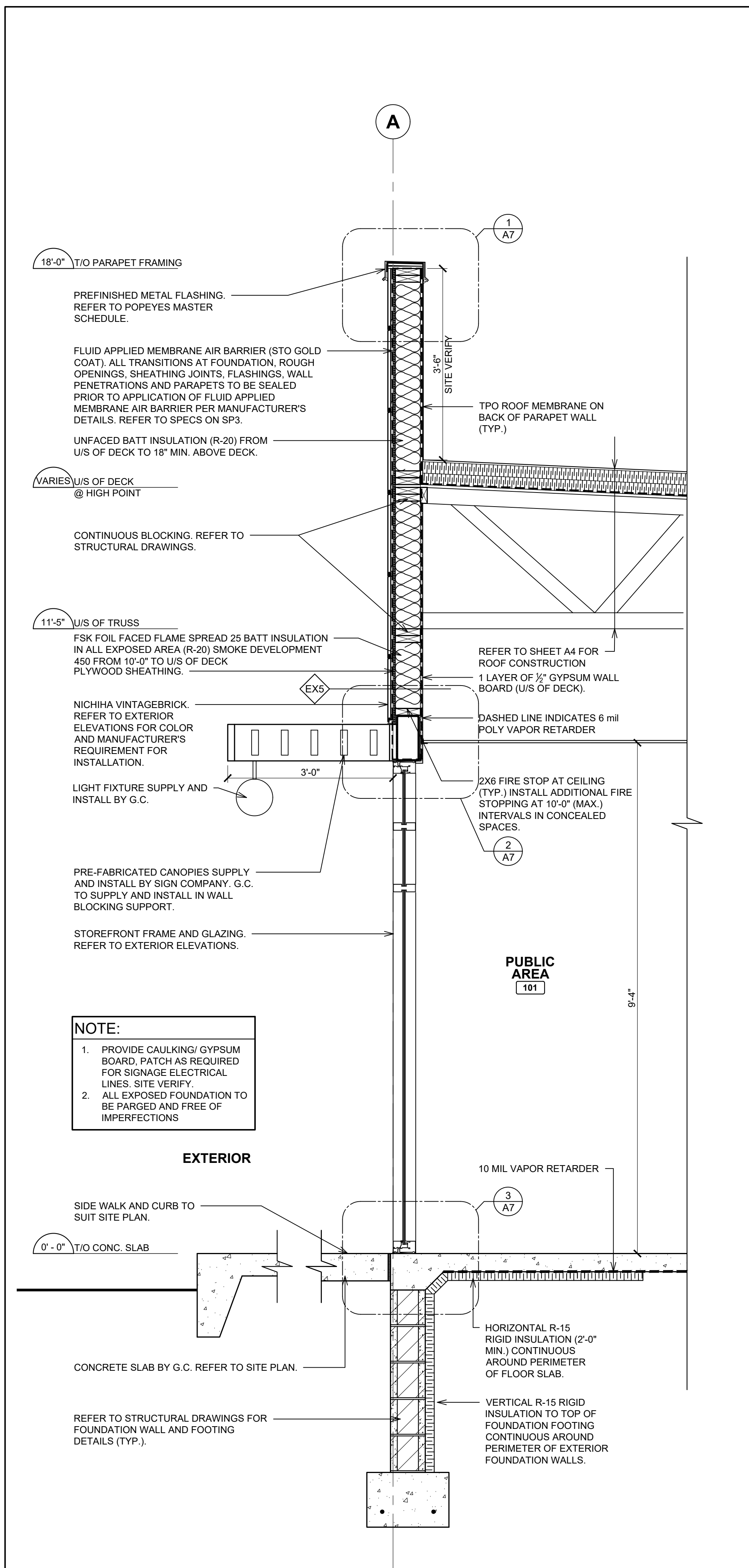
1517 NC 24-87
CAMERON, NC

Drawing Title

WALL SECTIONS

Drawn	SH	Checked	AL
Scale	AS NOTED	Date	JUNE 2023
Project No.	C22-129	Drawing No.	A6.2

POPEYES LOUISIANA KITCHEN MODEL 2112, 1517 NC 24-87, CAMERON, NC (JUNE 01, 2023) STORE NO. C22-129



1
A6.2 WALL SECTION @ FEATURE WALL
SCALE: 3/4" = 1'-0"

ISSUE TABLE		
No.	Date (mm/dd/yy)	Description

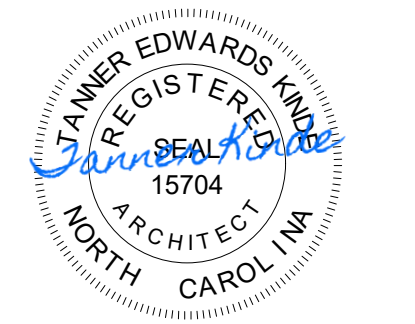
REVISIONS		
No.	Date	Description
1	8/01/2023	RESPONSE TO CITY
2	9/04/2023	HEALTH COMMENTS
3	9/12/2023	RESPONSE TO CITY
4	9/12/2023	HEALTH COMMENTS

DRAWINGS REVISED AS PER DESIGN BULLETIN		
No.	Date	Description



THIS DRAWING IS OWNED BY OR LICENSED FOR USE BY POPEYES LOUISIANA KITCHEN (OR ITS AFFILIATED OR RELATED COMPANIES) AND MAY NOT BE REPRODUCED, USED, DOWNLOADED, DISSEMINATED, PUBLISHED OR TRANSFERRED IN ANY FORM OR BY ANY MEANS, EXCEPT WITH THE PRIOR WRITTEN CONSENT OF POPEYES LOUISIANA KITCHEN. COPYRIGHT INFRINGEMENT IS A VIOLATION OF FEDERAL LAW SUBJECT TO CRIMINAL AND CIVIL PENALTIES.

THE CONTRACTOR IS TO VERIFY ALL DIMENSIONS AND CONDITIONS ON THE PROJECT AND TO REPORT ANY DISCREPANCIES TO THE POPEYES LOUISIANA KITCHEN REPRESENTATIVE PRIOR TO COMMENCING WORK. THESE DRAWINGS ARE NOT TO BE USED FOR CONSTRUCTION PURPOSES UNLESS INDICATED BY POPEYES LOUISIANA KITCHEN AS ISSUED FOR CONSTRUCTION.



9.14.2023

Company Logo

ARCHITECTURE • CIVIL ENGINEERING • MEP ENGINEERING
10755 SANDHILL ROAD, DALLAS, TEXAS 75238
TEL: 214-343-9400 www.dimensiongrp.com

Project

POPEYES

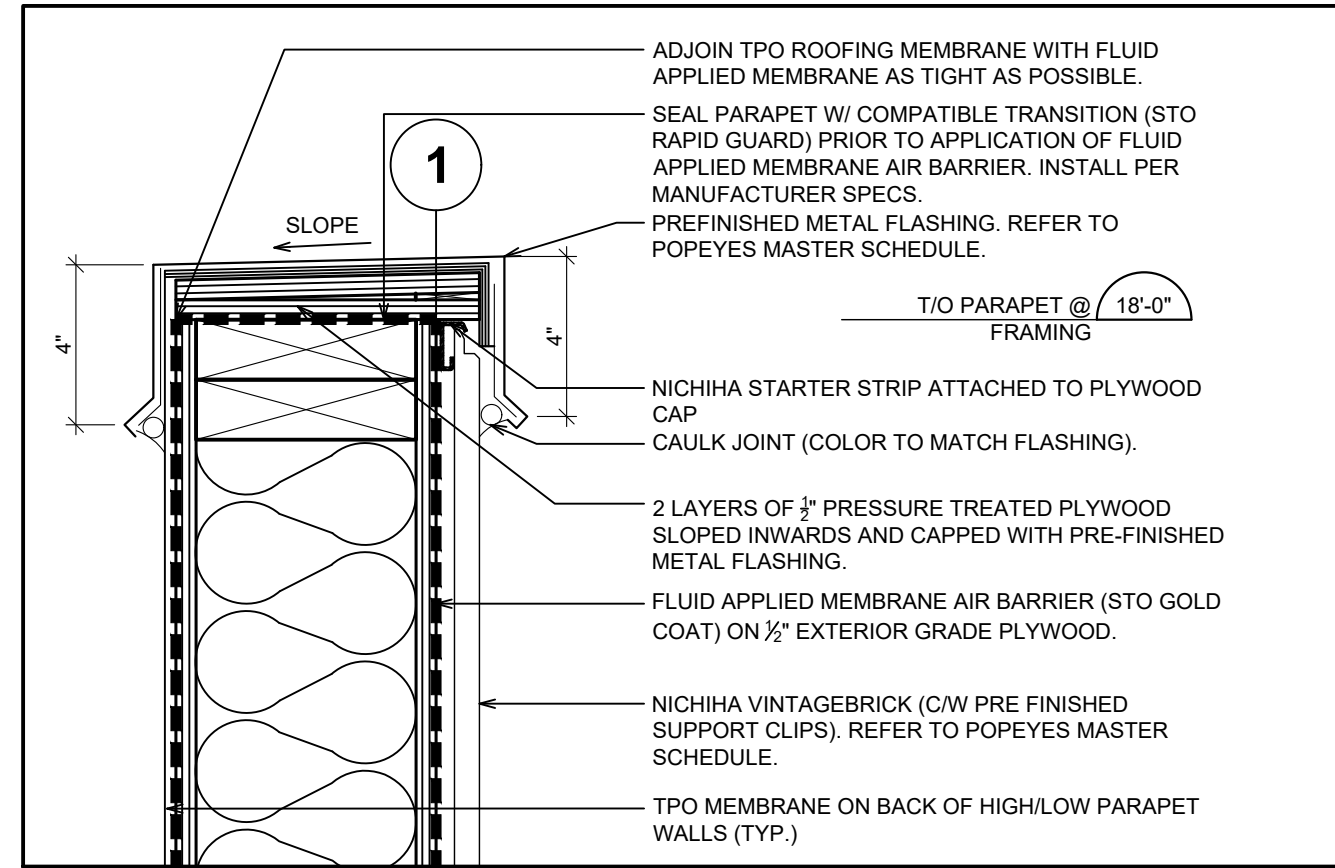
Store Type
US 2112 PROTOTYPE
2112-21

Location
**1517 NC 24-87
CAMERON, NC**

Drawing Title
WALL SECTIONS

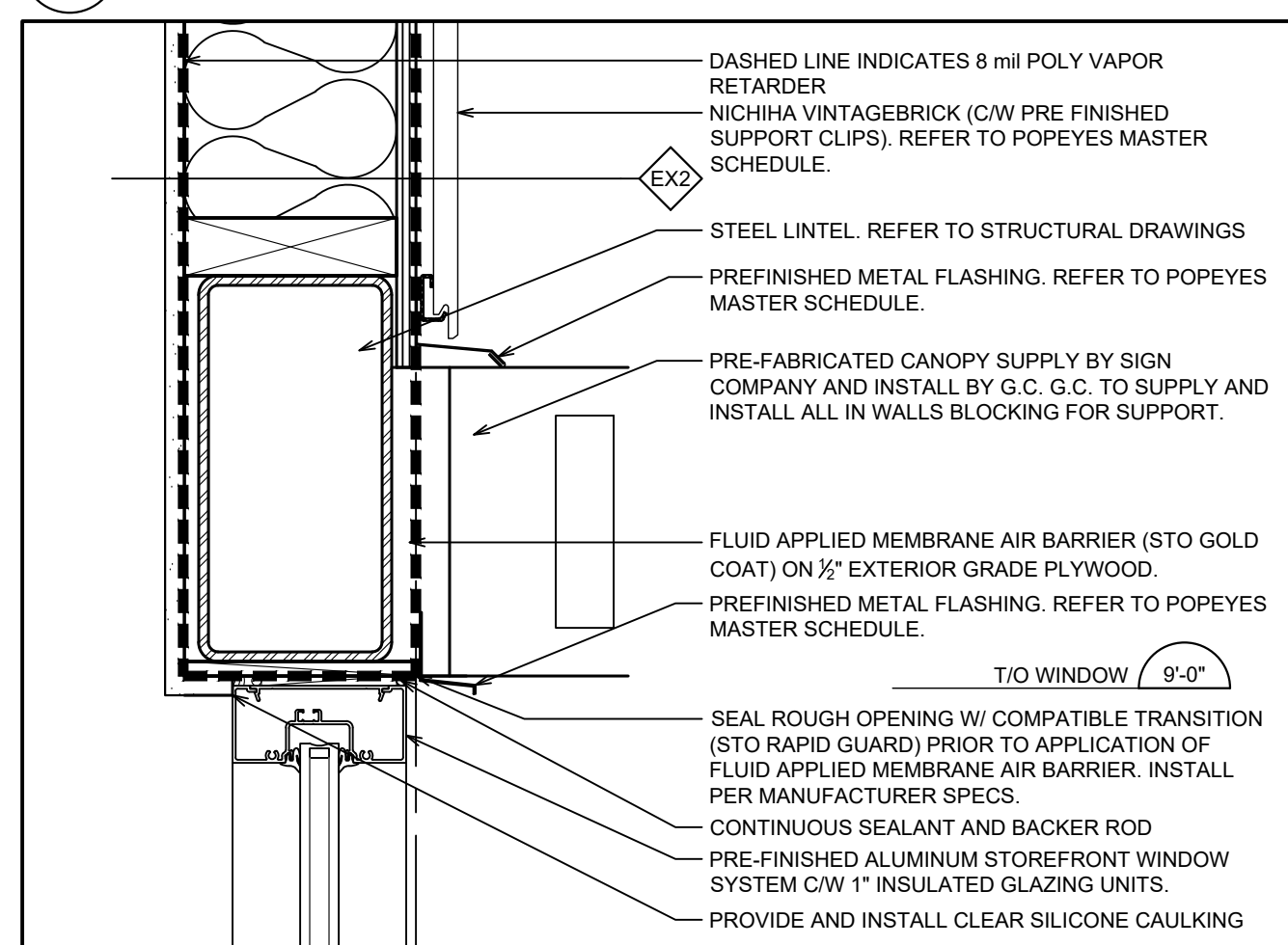
Drawn SH	Checked AL
Scale AS NOTED	Date JUNE 2023
Project No. C22-129	Drawing No. A6.3

POPEYES LOUISIANA KITCHEN MODEL 2112, 1517 NC 24-87, CAMERON, NC (JUNE 01, 2023) STORE NO. C22-129



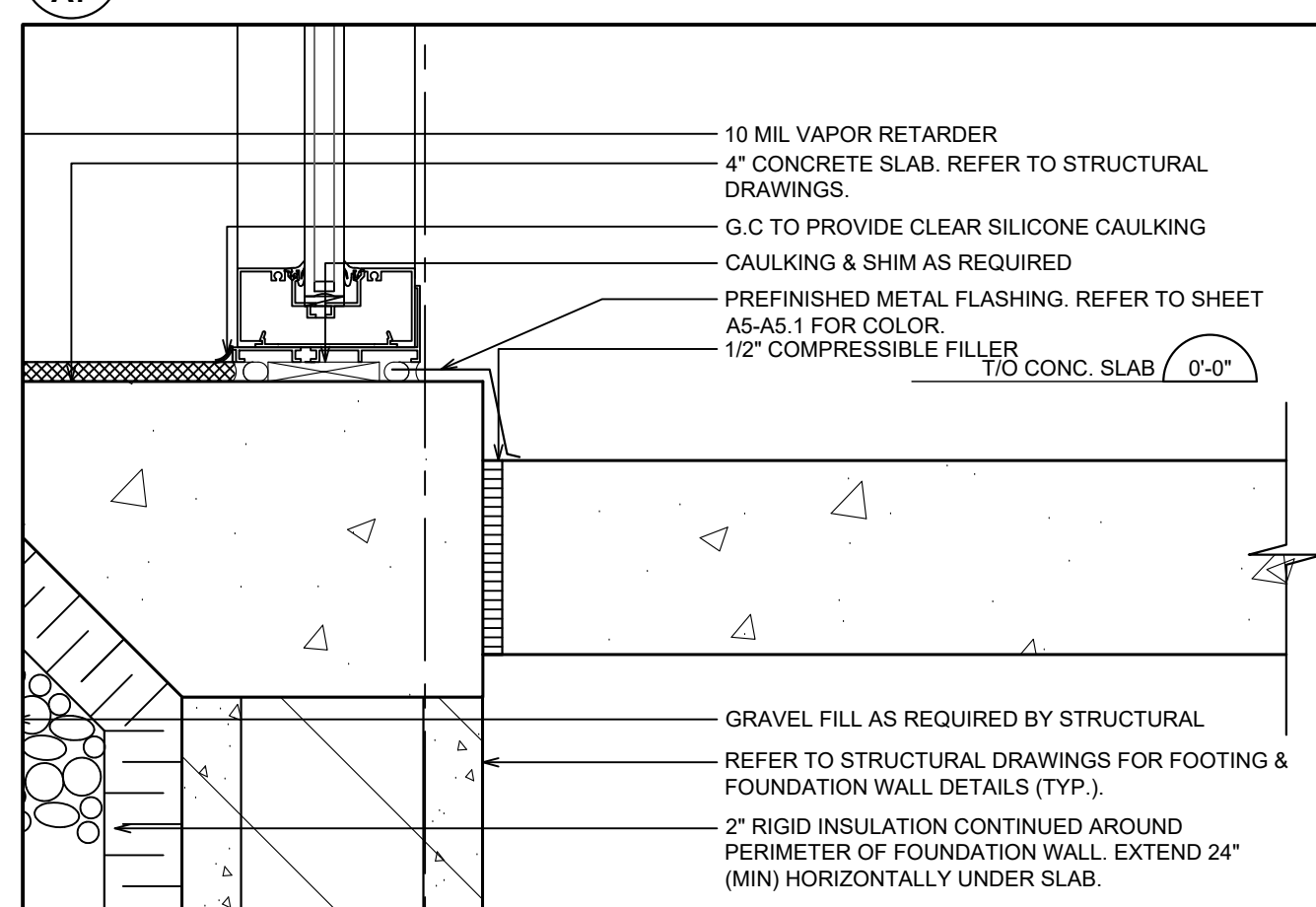
1 SECTION DETAIL @ PARAPET (SIDING)

A7 SCALE: 2-1/2" = 1'-0"



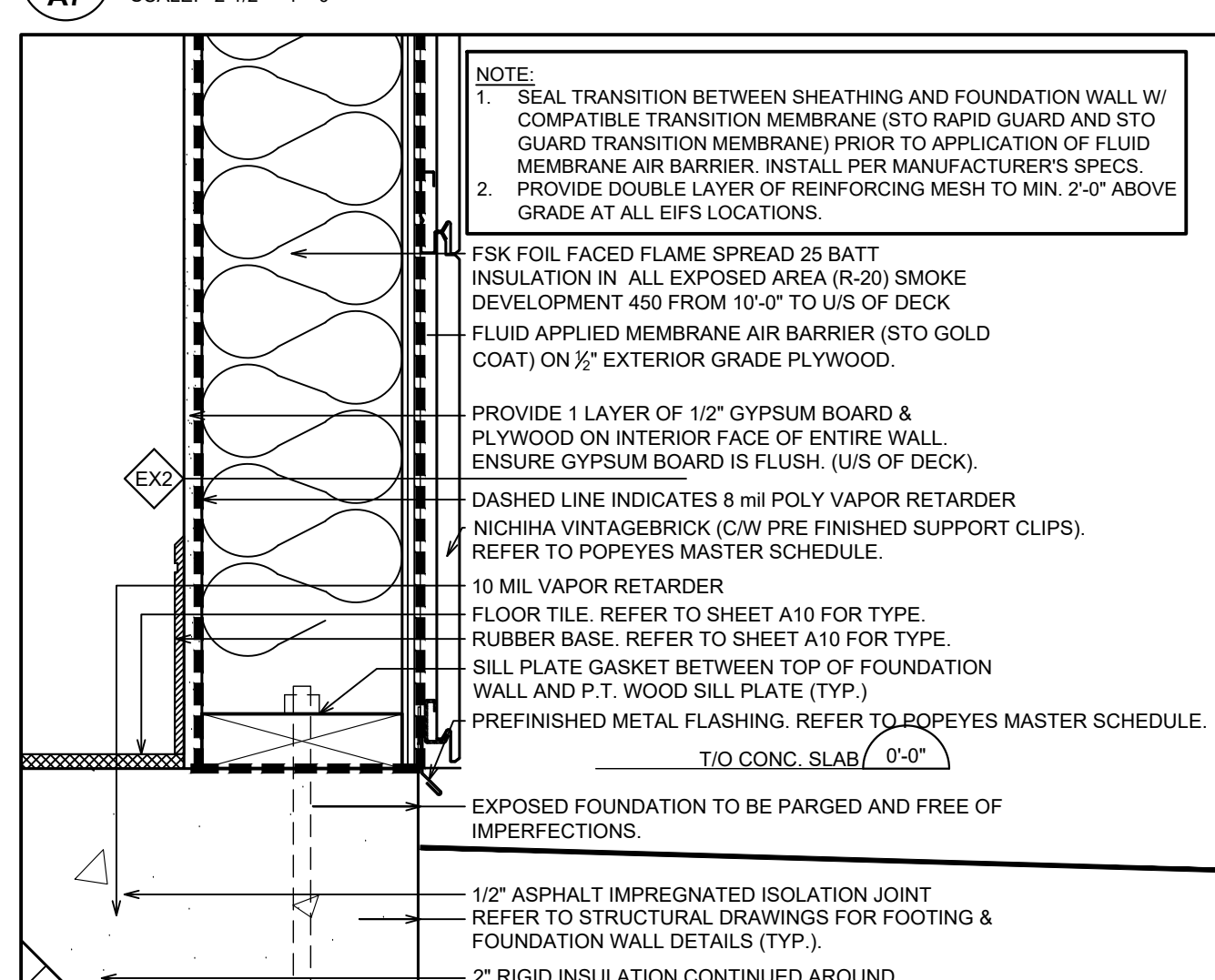
2 SECTION DETAIL @ WINDOW HEAD AT EIFS

A7 SCALE: 2-1/2" = 1'-0"



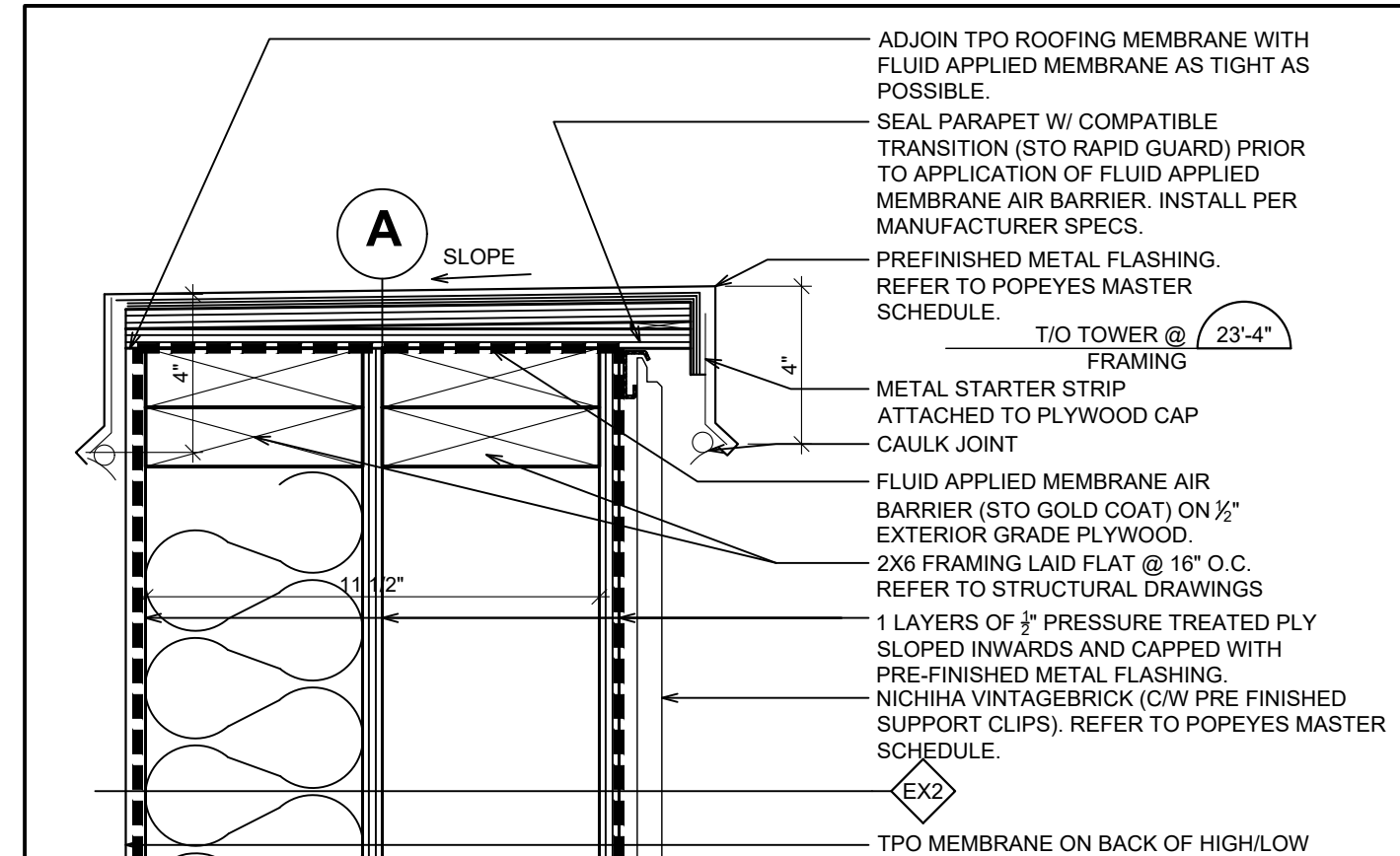
3 SECTION DETAIL @ FOUNDATION (WINDOW)

A7 SCALE: 2-1/2" = 1'-0"



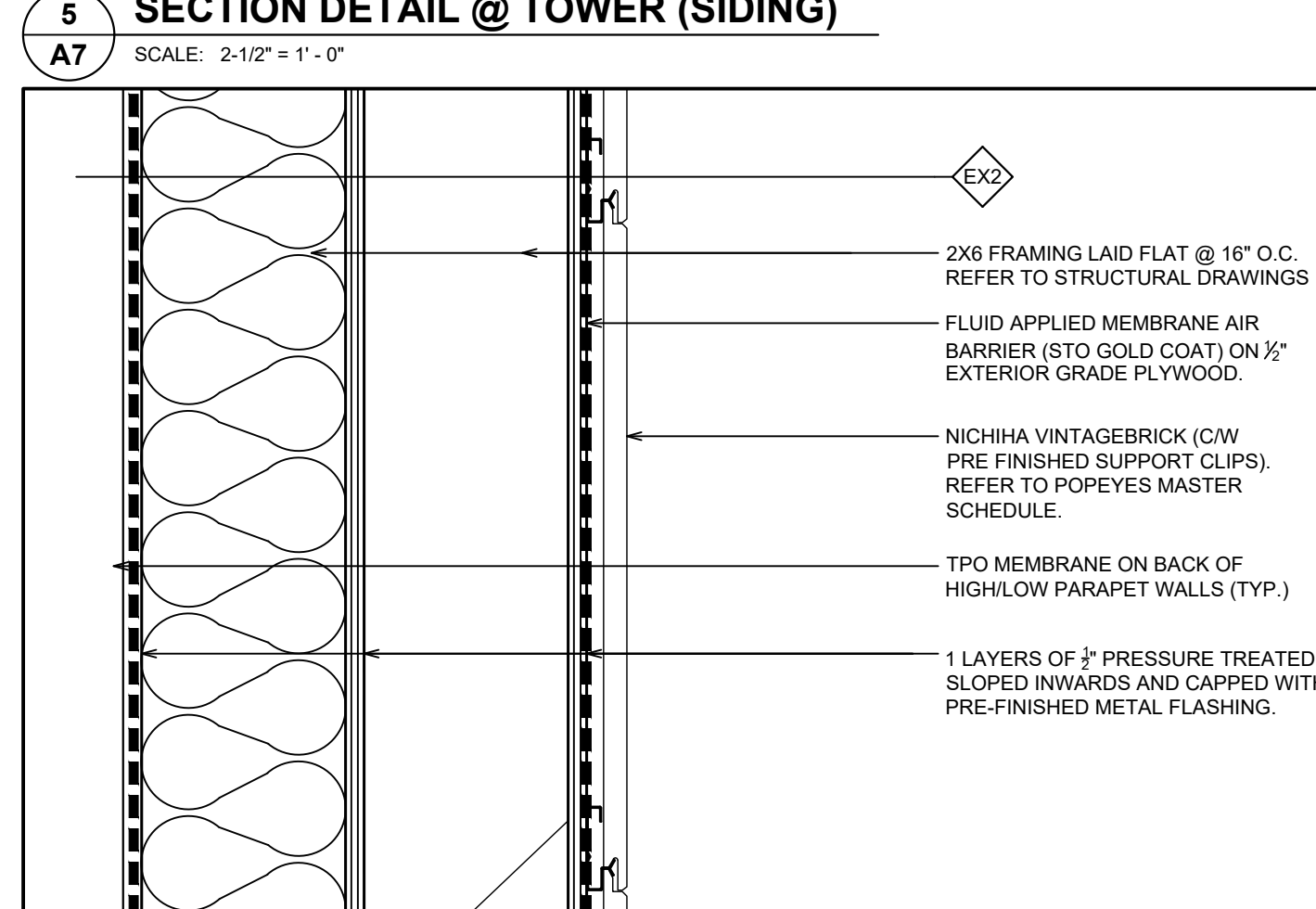
4 SECTION DETAIL @ FOUNDATION (WINDOW)

A7 SCALE: 2-1/2" = 1'-0"



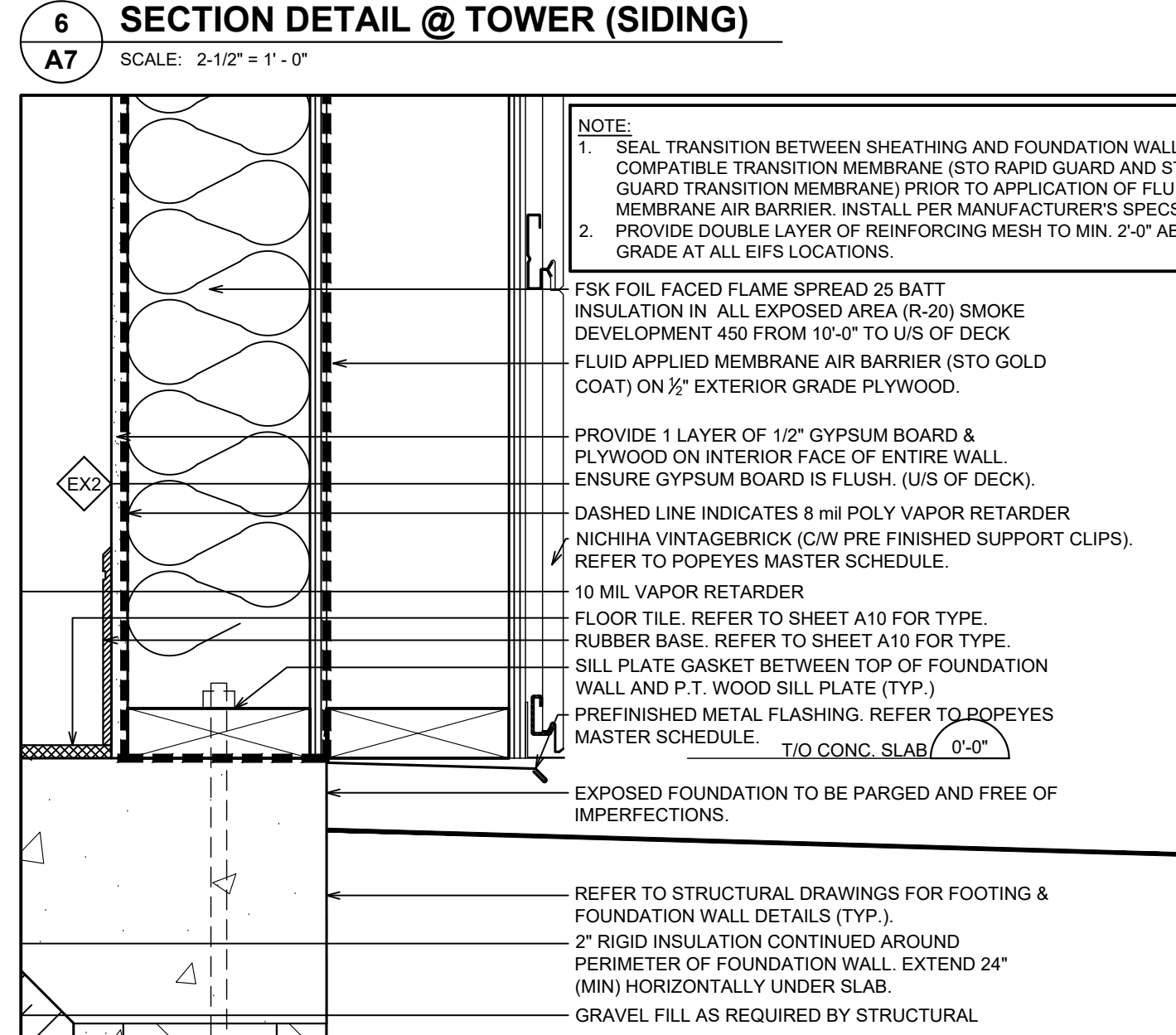
5 SECTION DETAIL @ TOWER (SIDING)

A7 SCALE: 2-1/2" = 1'-0"



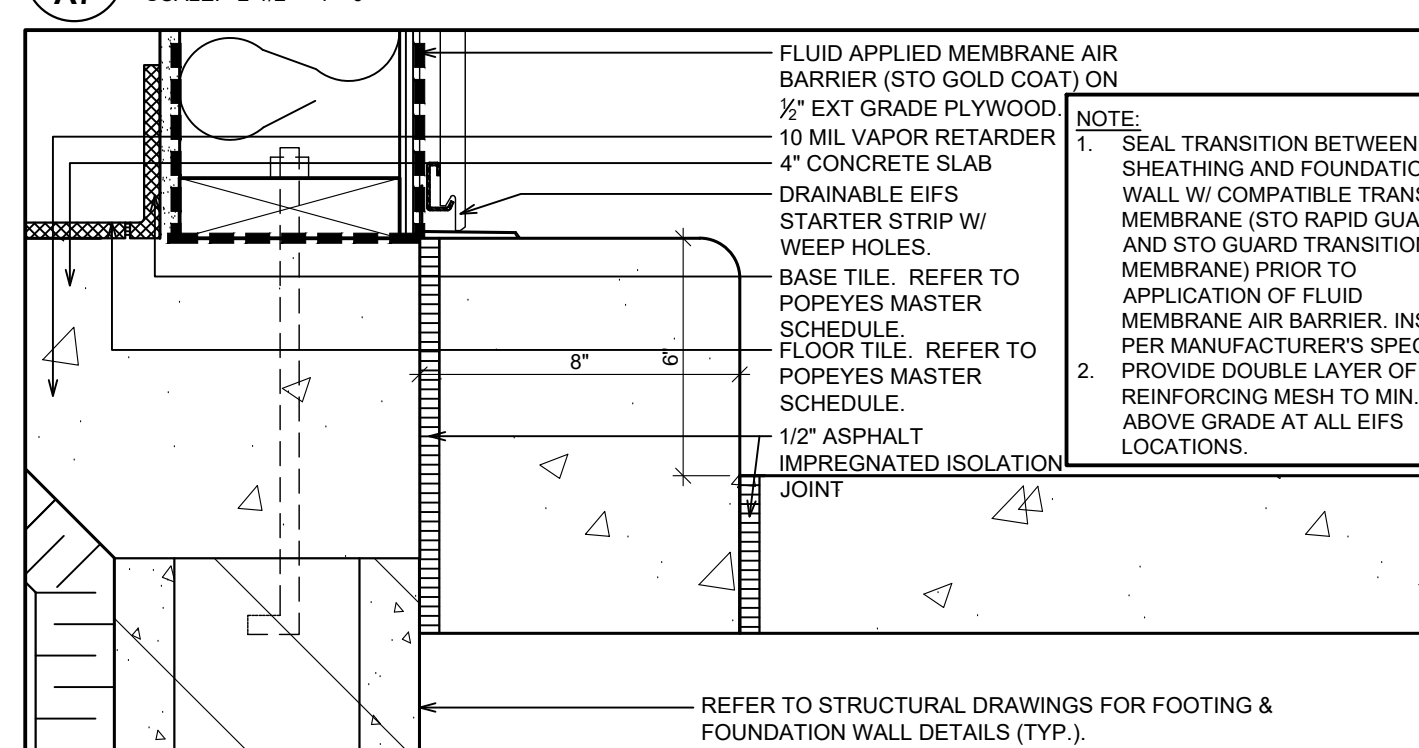
6 SECTION DETAIL @ TOWER (SIDING)

A7 SCALE: 2-1/2" = 1'-0"



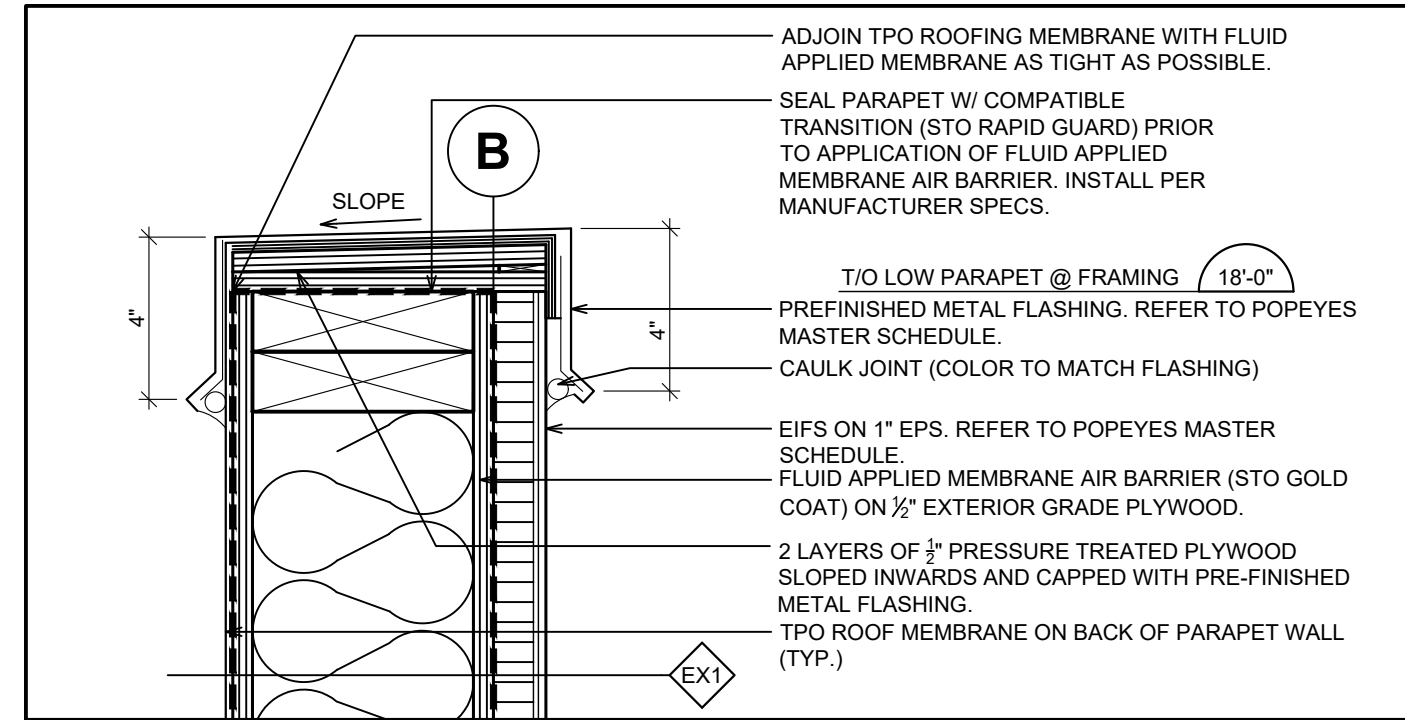
7 SECTION DETAIL @ FOUNDATION (SIDING @ TOWER)

A7 SCALE: 2-1/2" = 1'-0"



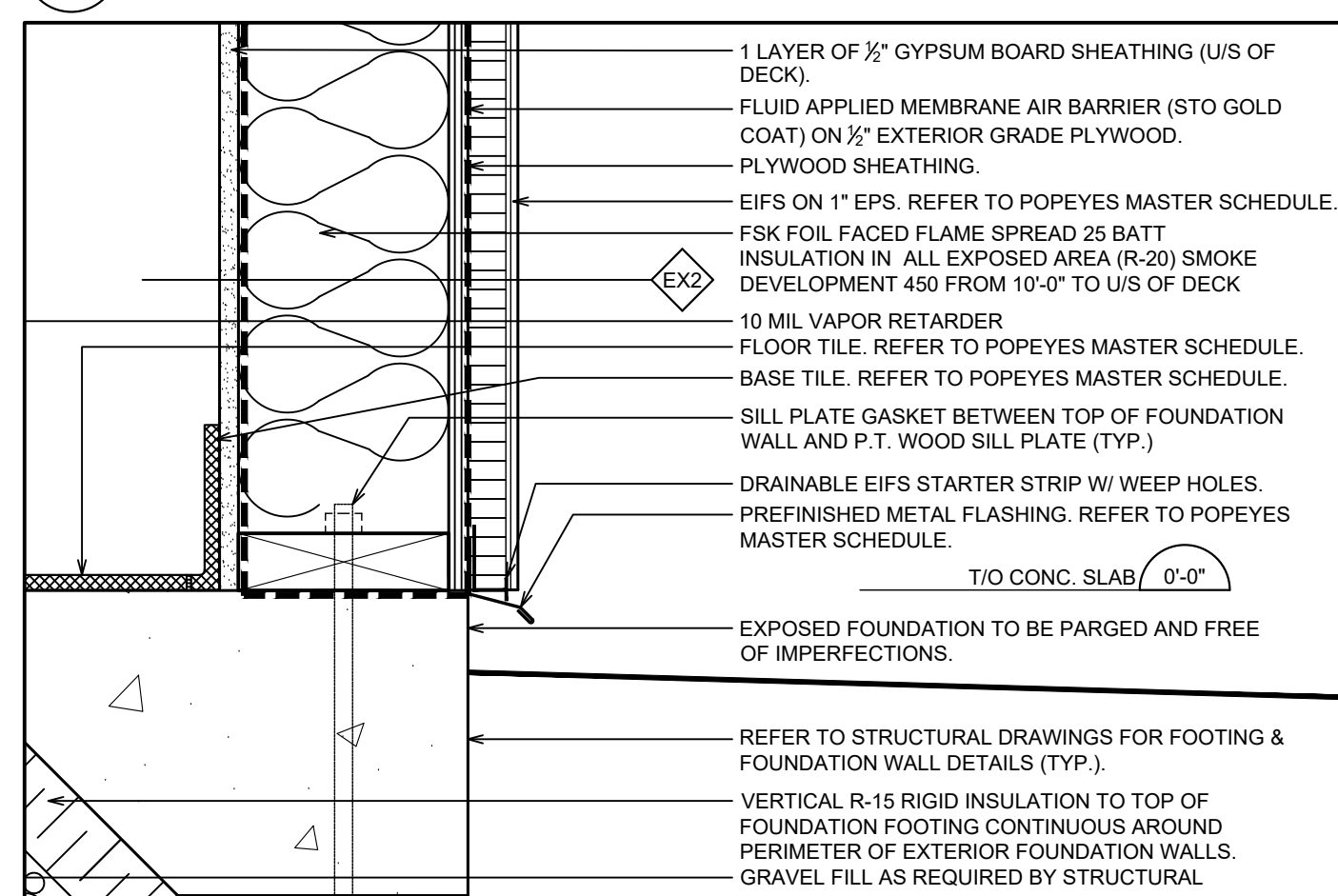
8 SECTION DETAIL @ FOUNDATION (D/T WINDOW)

A7 SCALE: 2-1/2" = 1'-0"



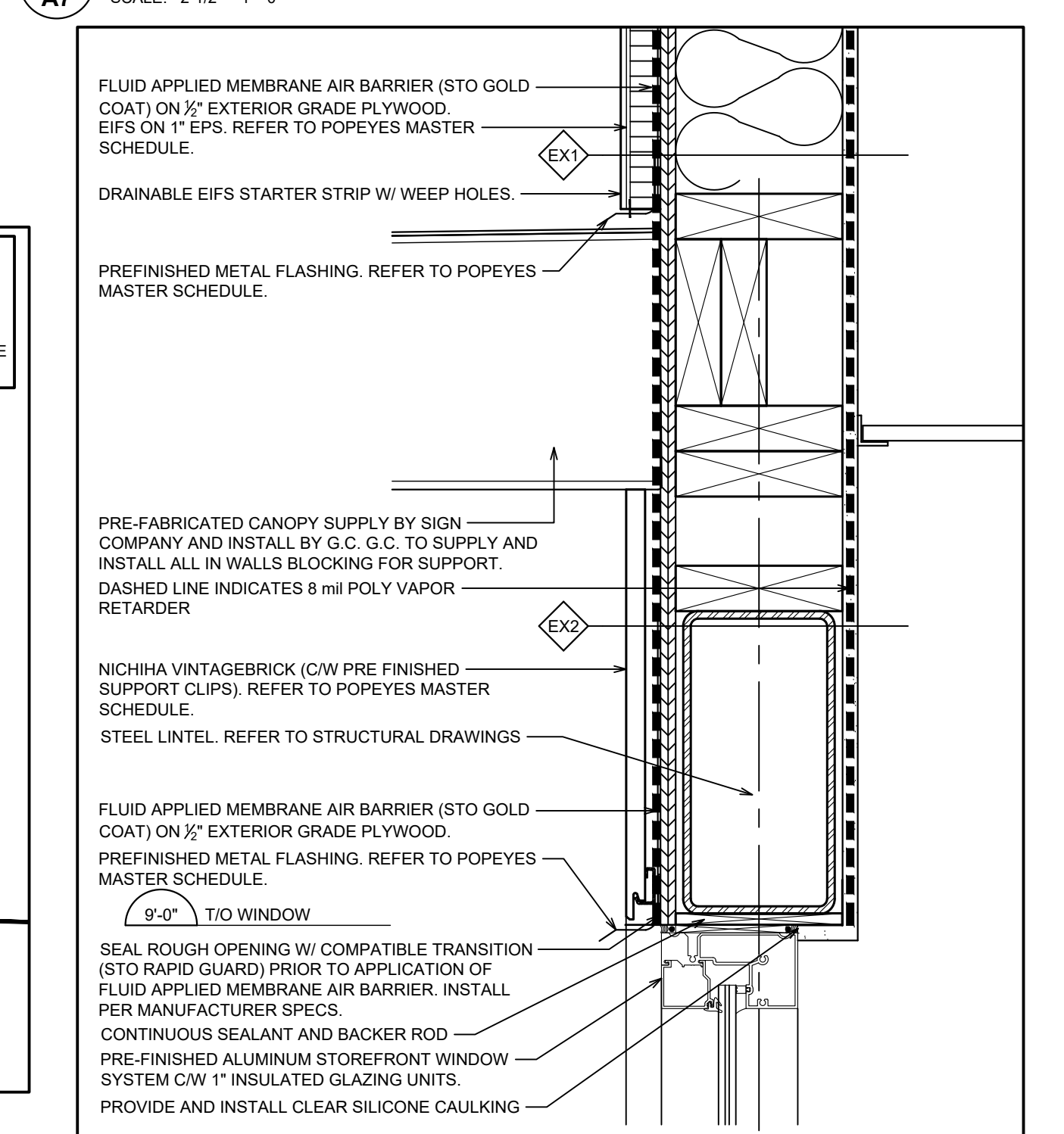
9 SECTION DETAIL @ PARAPET (TYPICAL EIFS)

A7 SCALE: 2-1/2" = 1'-0"



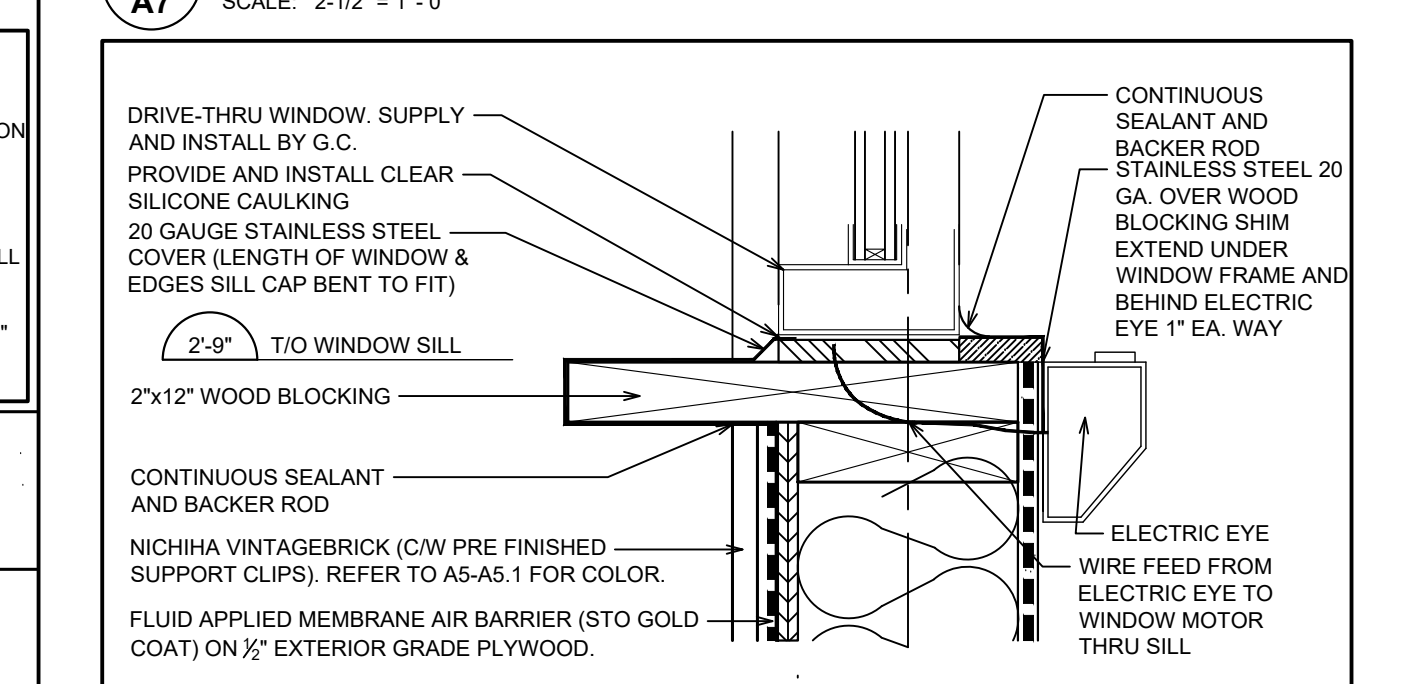
10 SECTION DETAIL @ FOUNDATION (EIFS)

A7 SCALE: 2-1/2" = 1'-0"



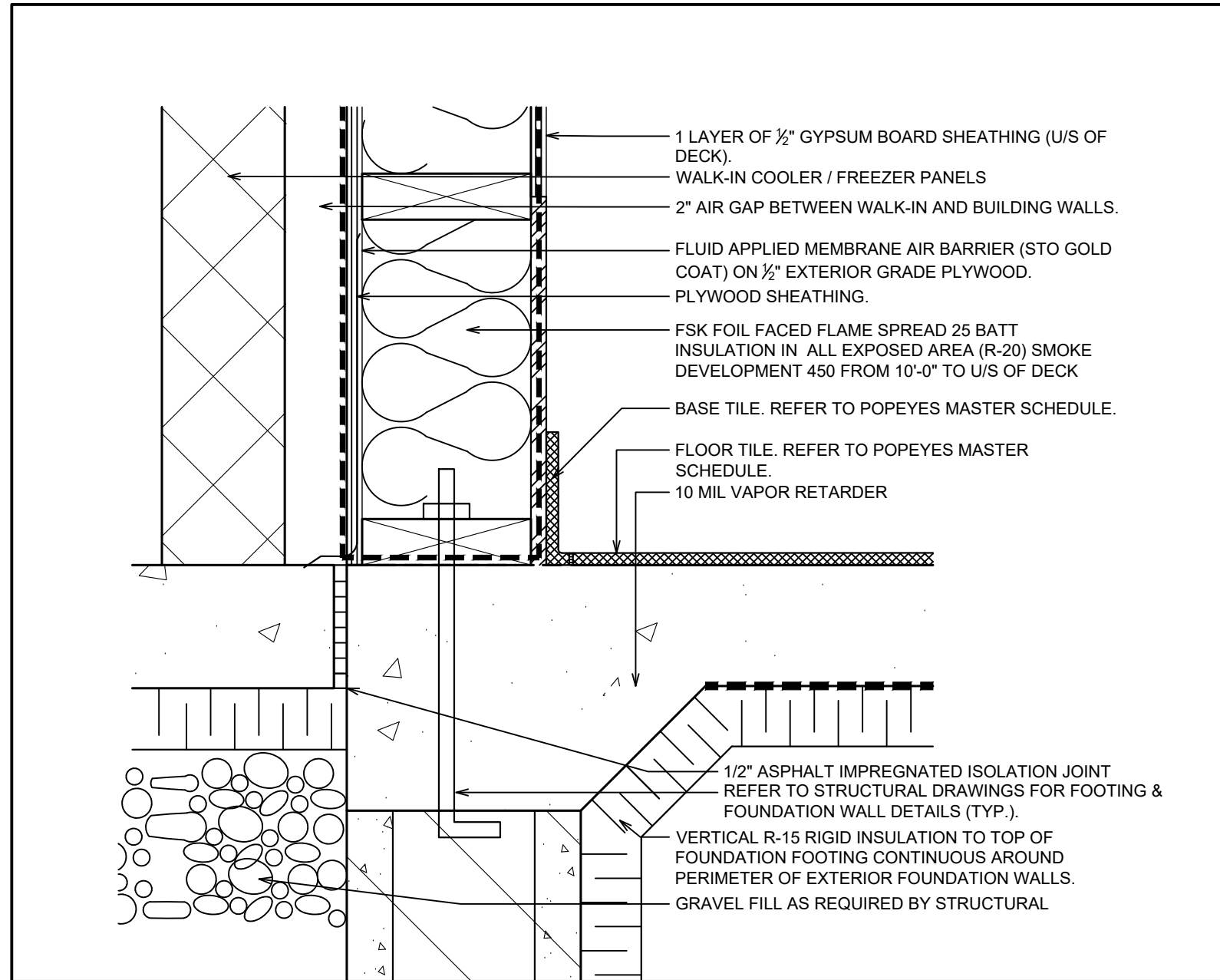
11 SECTION DETAIL @ DRIVE-THRU WINDOW HEADER

A7 SCALE: 2-1/2" = 1'-0"



12 SECTION DETAIL @ DRIVE-THRU WINDOW SILL

A7 SCALE: 2-1/2" = 1'-0"



13 SECTION DETAIL @ WALK-IN BOX

A7 SCALE: 2-1/2" = 1'-0"

ISSUE TABLE		
No.	Date (mm/dd/yyyy)	Description
REVISIONS		
No.	Date	Description
1	8/01/2023	RESPONSE TO CITY
2	9/04/2023	HEALTH COMMENTS
3	9/12/2023	RESPONSE TO CITY
4	9/12/2023	HEALTH COMMENTS

DRAWINGS REVISED AS PER DESIGN BULLETIN

No.	Date	Description



THIS DRAWING IS OWNED BY OR LICENSED FOR USE BY POPEYES LOUISIANA KITCHEN (OR ITS AFFILIATED OR RELATED COMPANIES) AND MAY NOT BE REPRODUCED, USED, DOWNLOADED, DISSEMINATED, PUBLISHED, OR TRANSMITTED IN ANY FORM OR BY ANY MEANS, EXCEPT WITH THE PRIOR WRITTEN CONSENT OF POPEYES LOUISIANA KITCHEN. COPYRIGHT INFRINGEMENT IS A VIOLATION OF FEDERAL LAW SUBJECT TO CRIMINAL AND CIVIL PENALTIES.
THE CONTRACTOR IS TO VERIFY ALL DIMENSIONS AND CONDITIONS ON THE PROJECT AND TO REPORT ANY DISCREPANCIES TO THE POPEYES LOUISIANA KITCHEN REPRESENTATIVE PRIOR TO COMMENCING WORK. THESE DRAWINGS ARE NOT TO BE USED FOR CONSTRUCTION PURPOSES UNLESS INDICATED BY POPEYES LOUISIANA KITCHEN AS ISSUED FOR CONSTRUCTION.



9.14.2023

Company Logo

ARCHITECTURE • CIVIL ENGINEERING • MEP ENGINEERING
10755 SANDHILL ROAD, DALLAS, TEXAS 75238
TEL: 214-543-9400 www.dimensiongroup.com

Project

Store Type

US 2112 PROTOTYPE
2112-21

Location

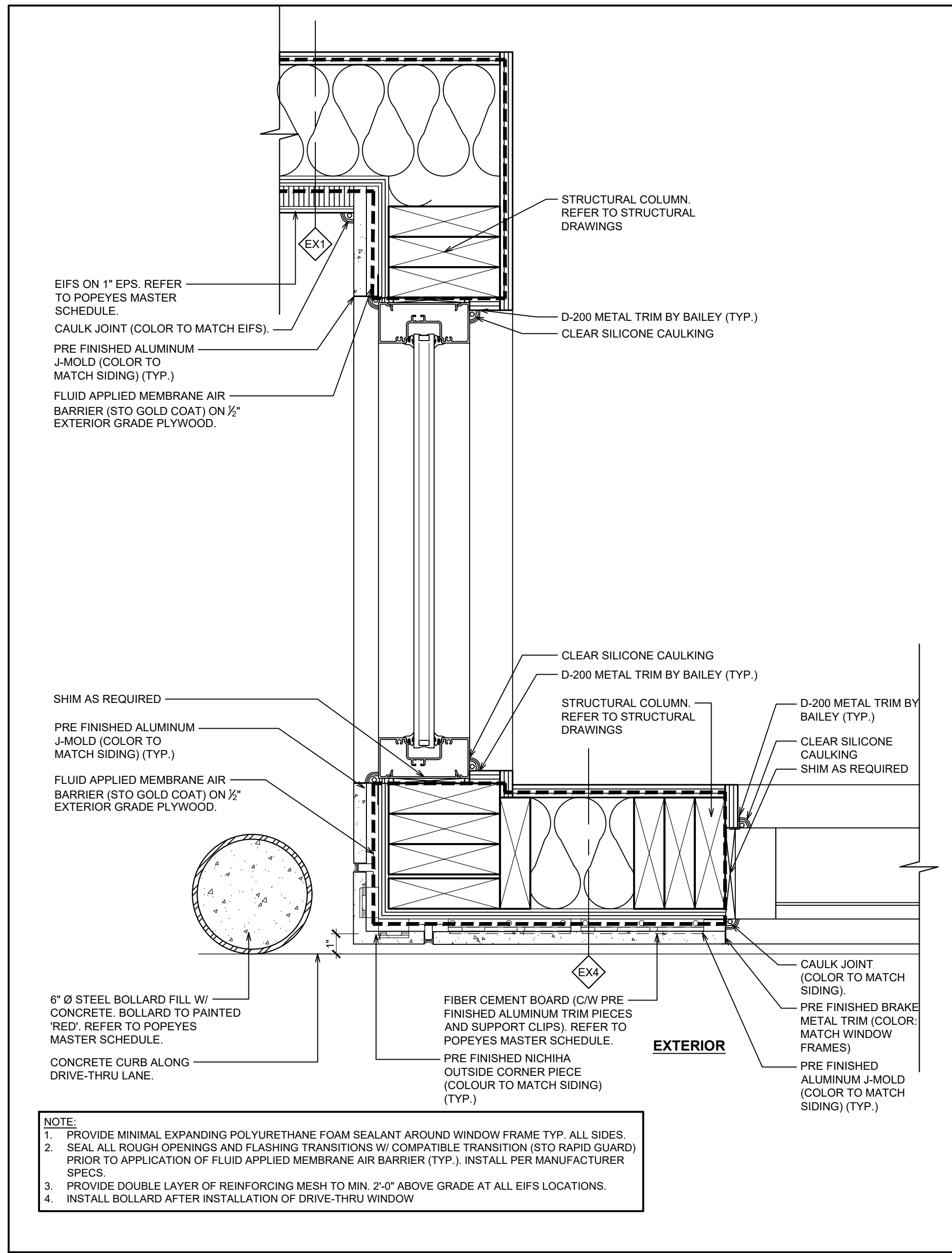
1517 NC 24-87
CAMERON, NC

Drawing Title

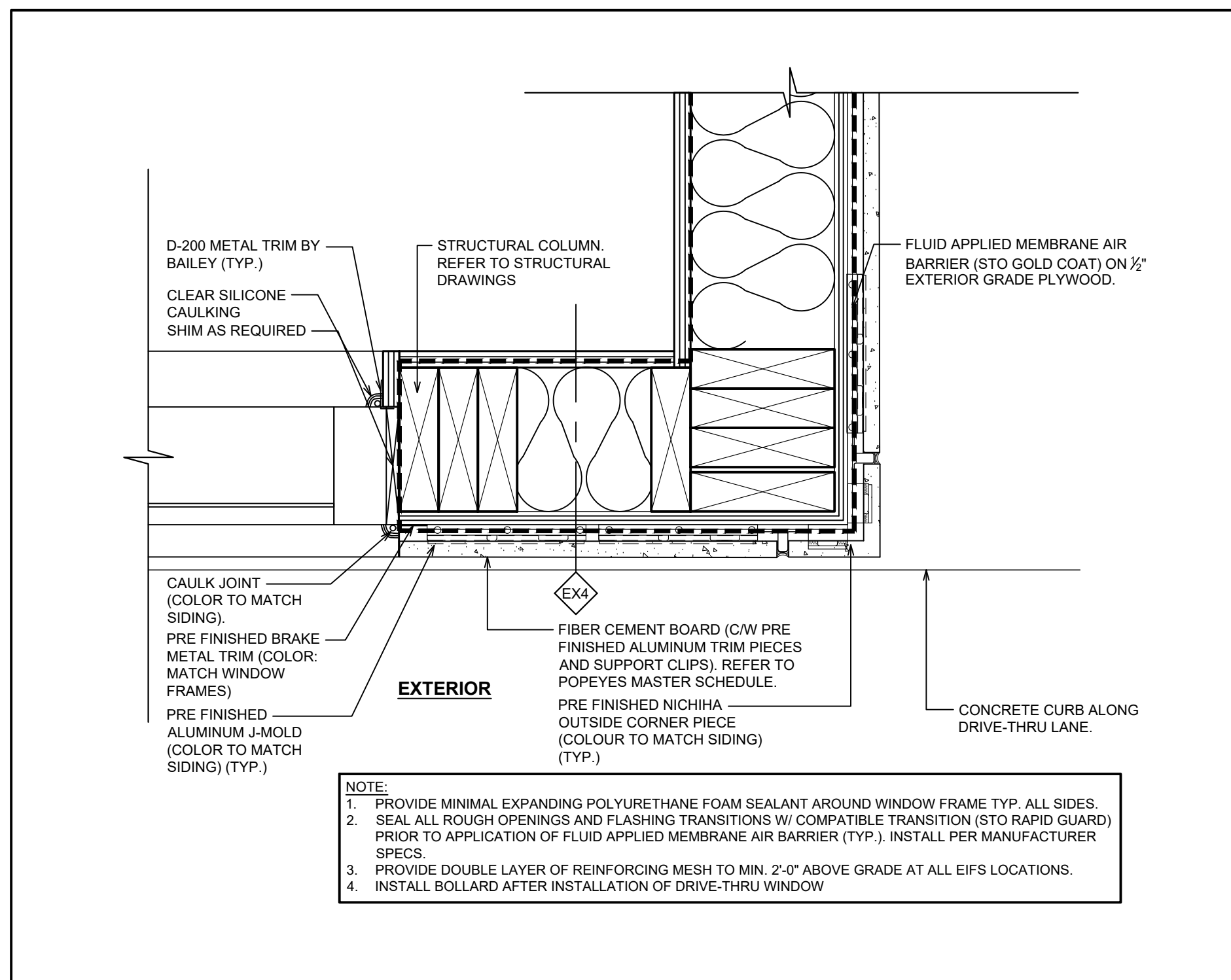
SECTION DETAILS

Drawn	SH	Checked	AL
Scale	AS NOTED	Date	JUNE 2023
Project No.	C22-129	Drawing No.	A7

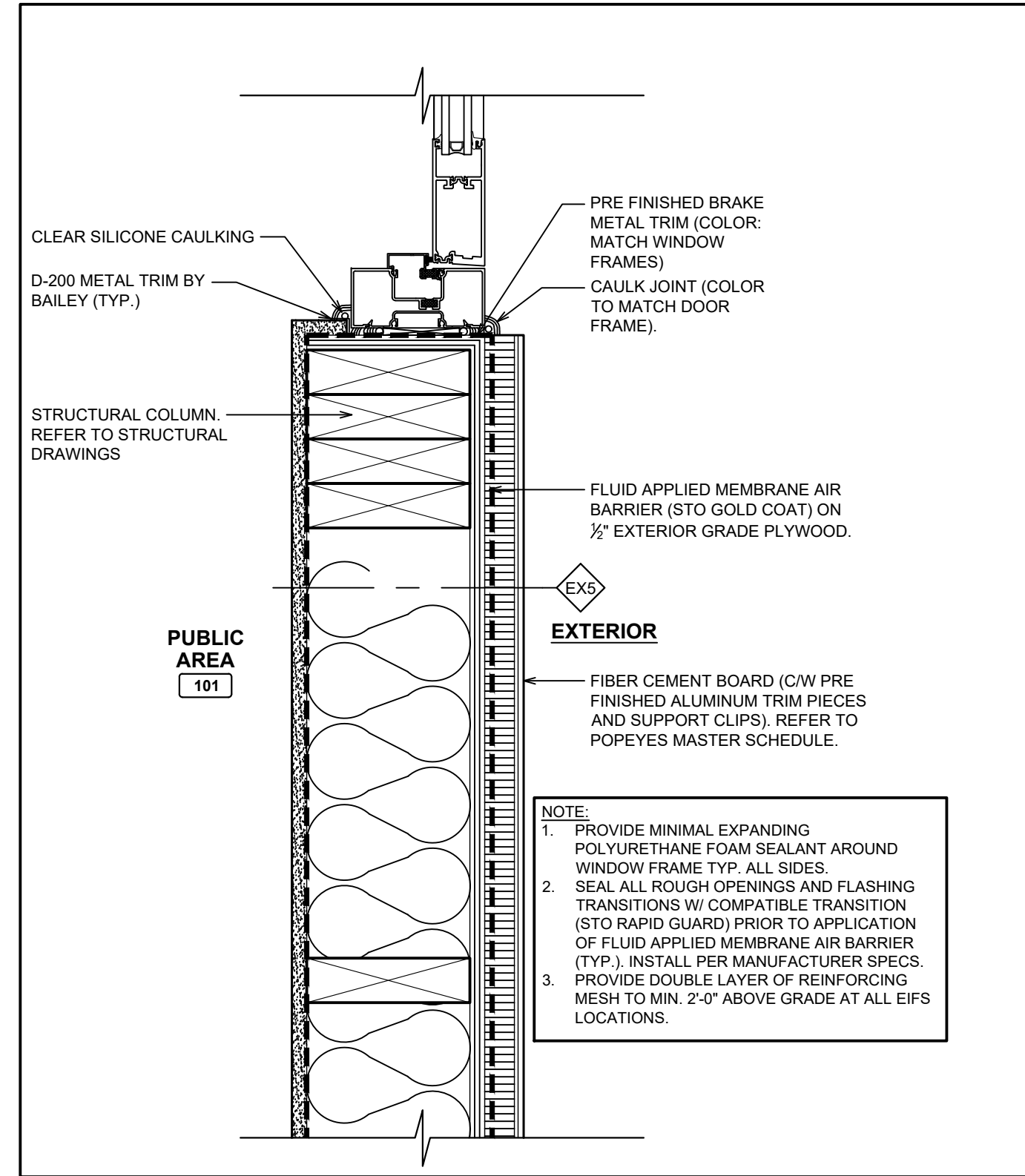
POPEYES LOUISIANA KITCHEN MODEL 2112, 1517 NC 24-87, CAMERON, NC (JUNE 01, 2023) STORE NO. C22-129



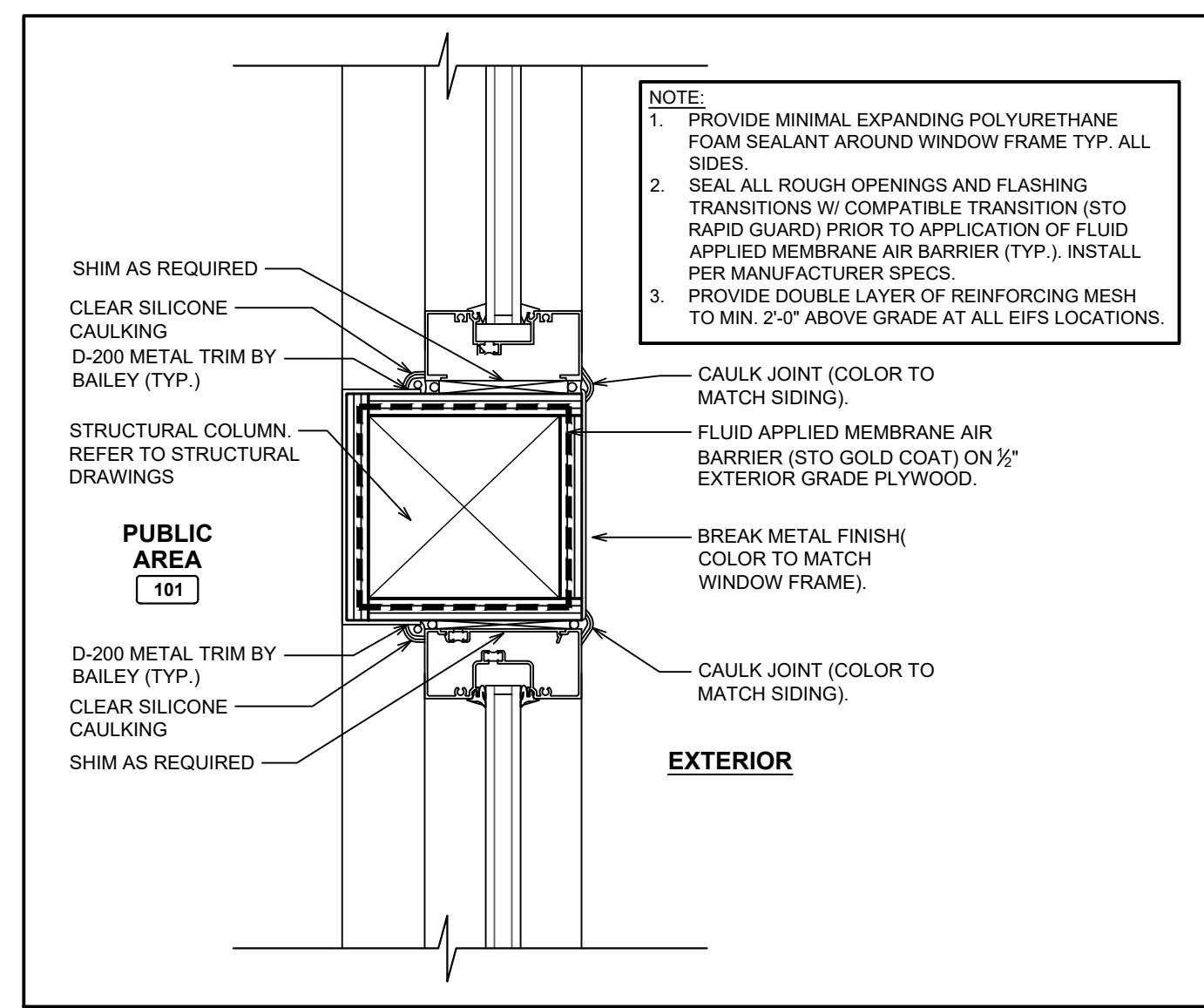
1 PLAN DETAIL @ DRIVE-THRU WINDOW
A7.1 SCALE: 2 1/2"=1'-0"



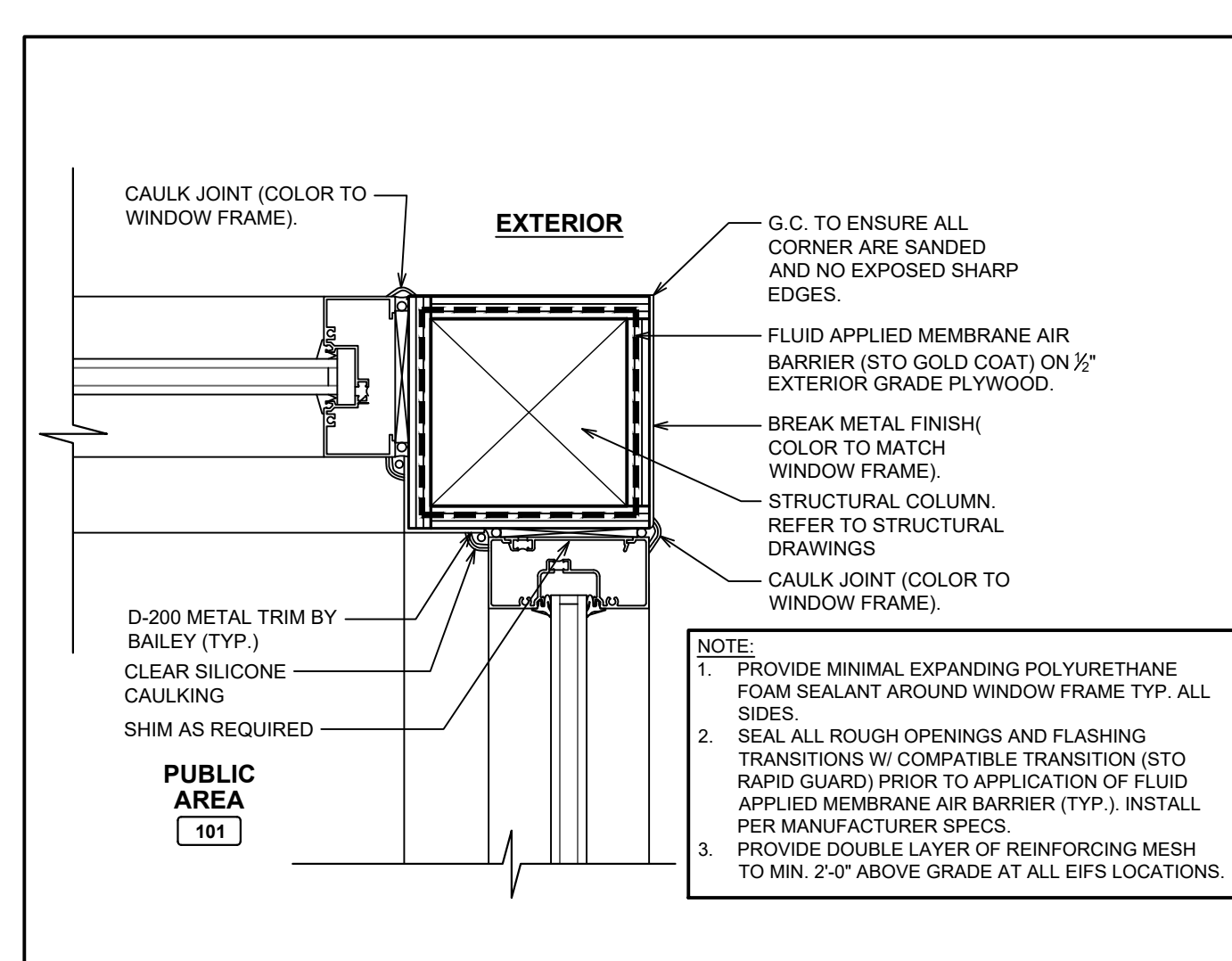
2 PLAN DETAIL @ DRIVE-THRU BUMP OUT
A7.1 SCALE: 2 1/2"=1'-0"



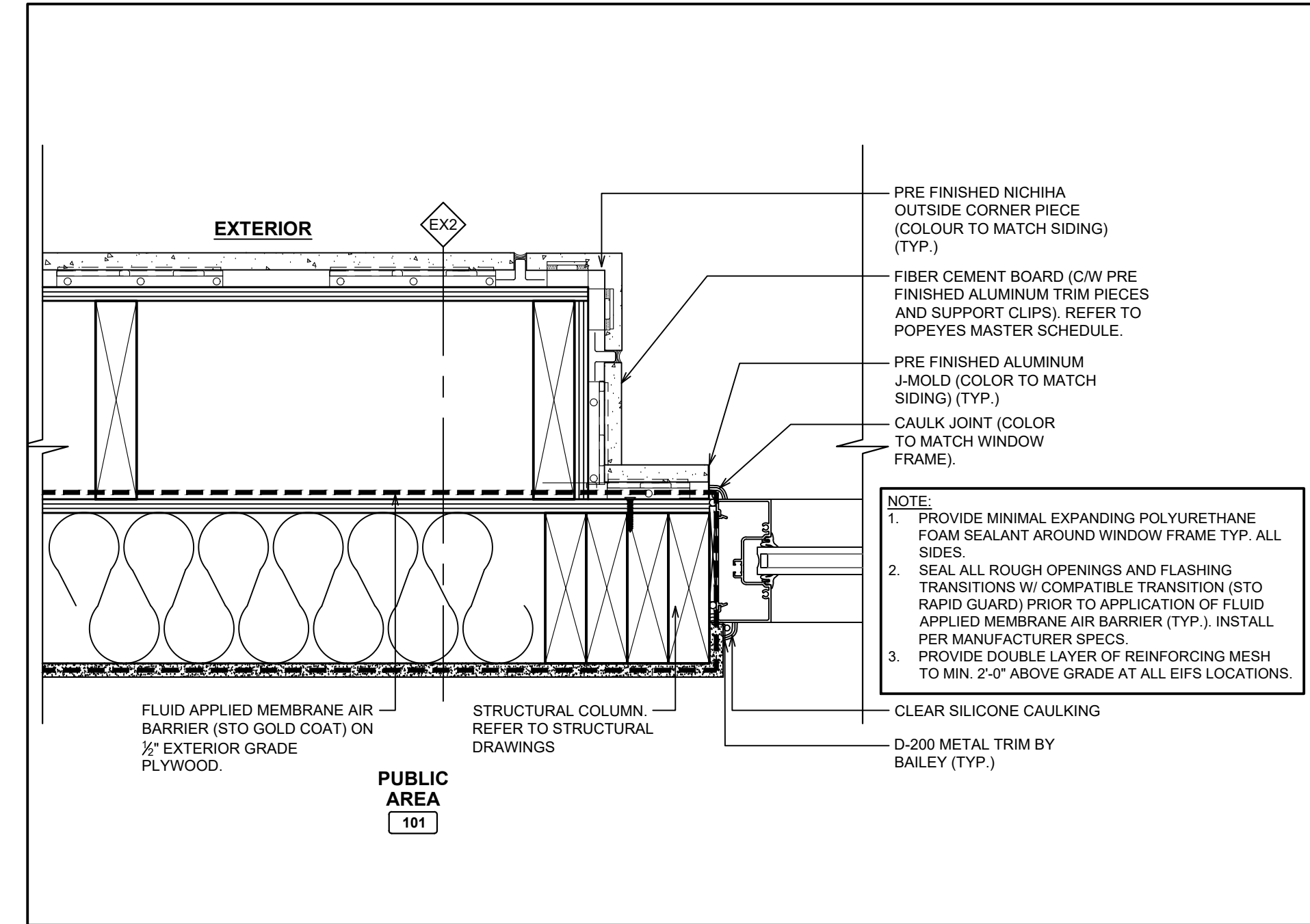
3 PLAN DETAIL @ DOOR
A7.1 SCALE: 2 1/2"=1'-0"



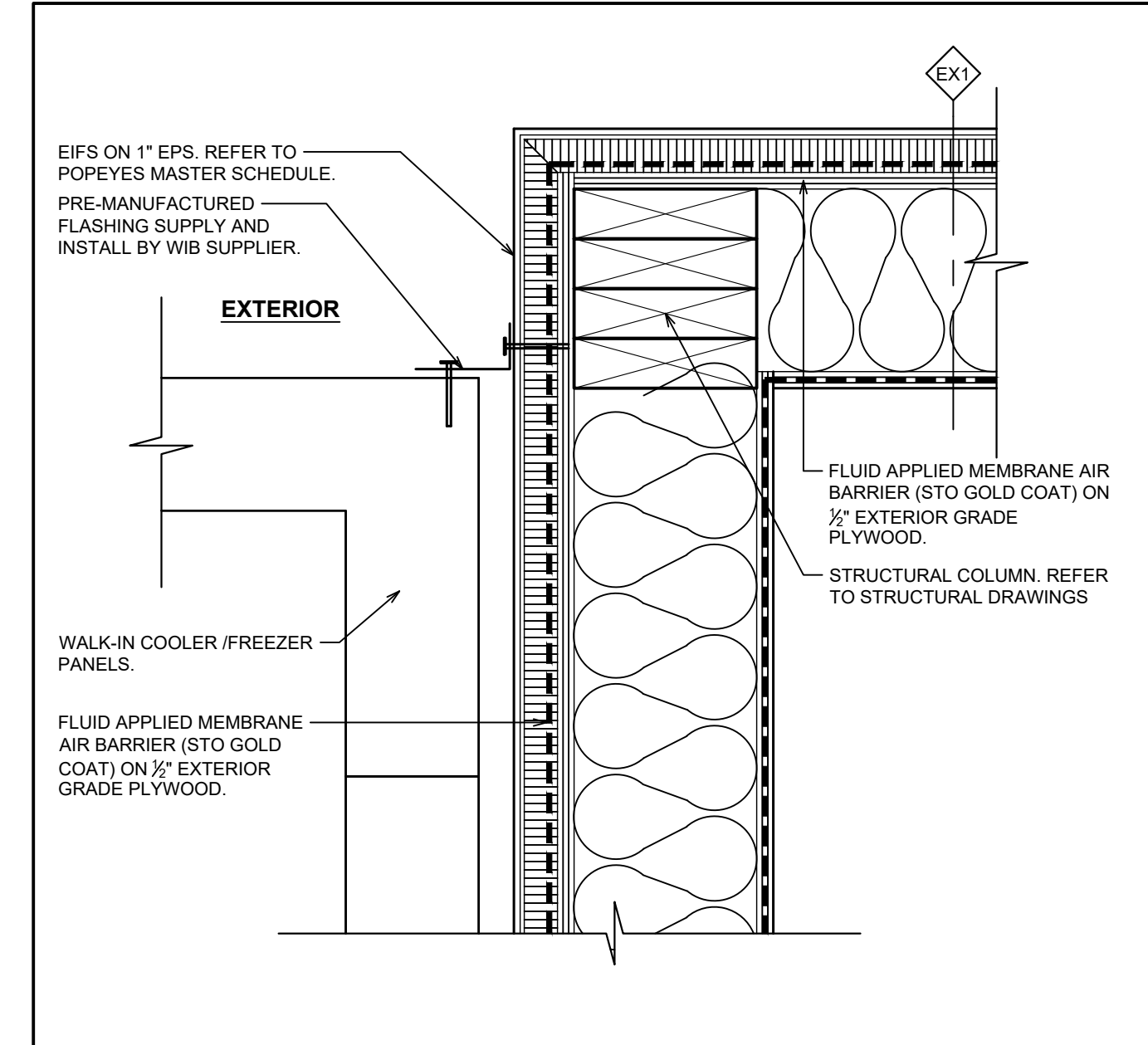
4 PLAN DETAIL @ WINDOW FRAME
A7.1 SCALE: 2 1/2"=1'-0"



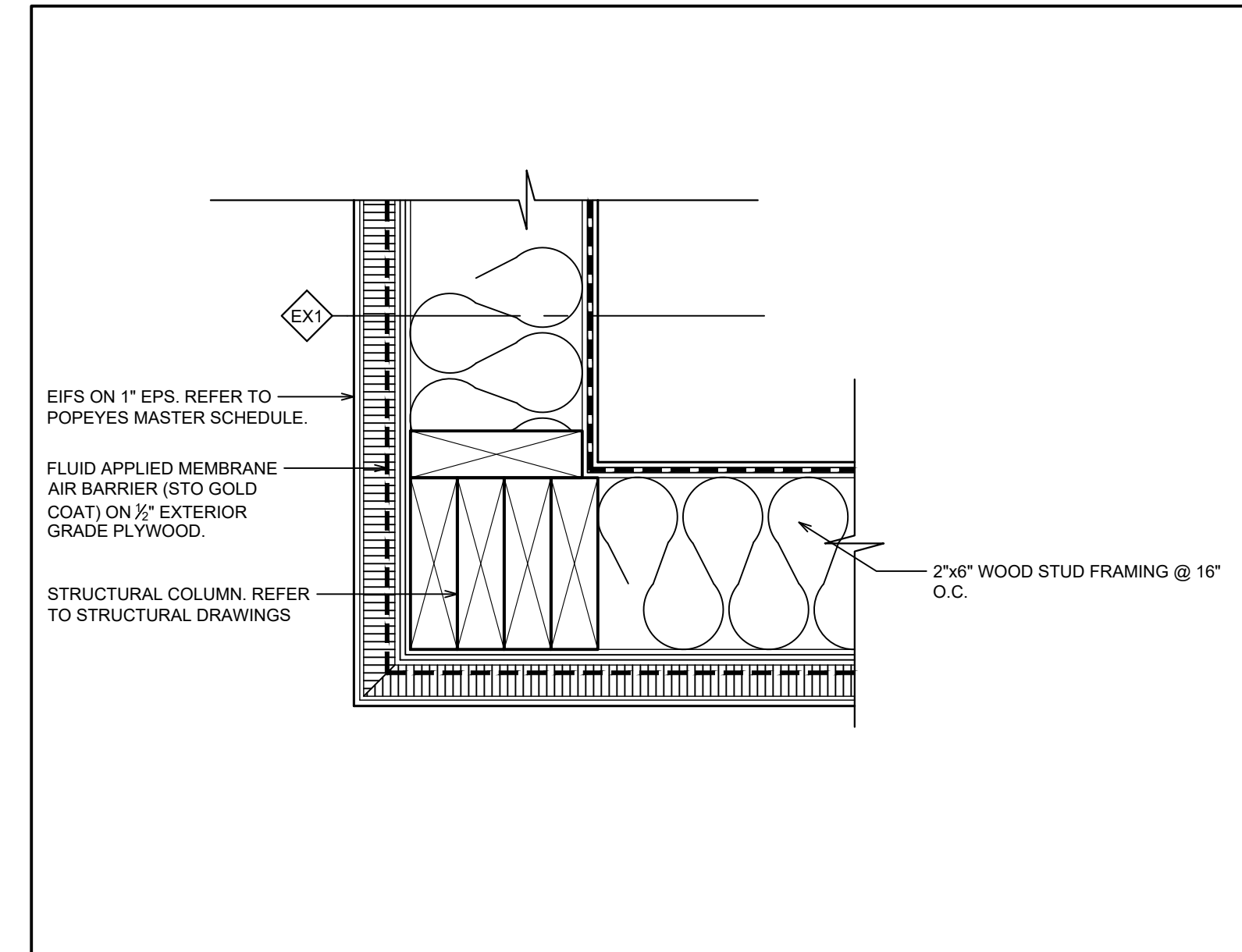
5 PLAN DETAIL @ CORNER
A7.1 SCALE: 2 1/2"=1'-0"



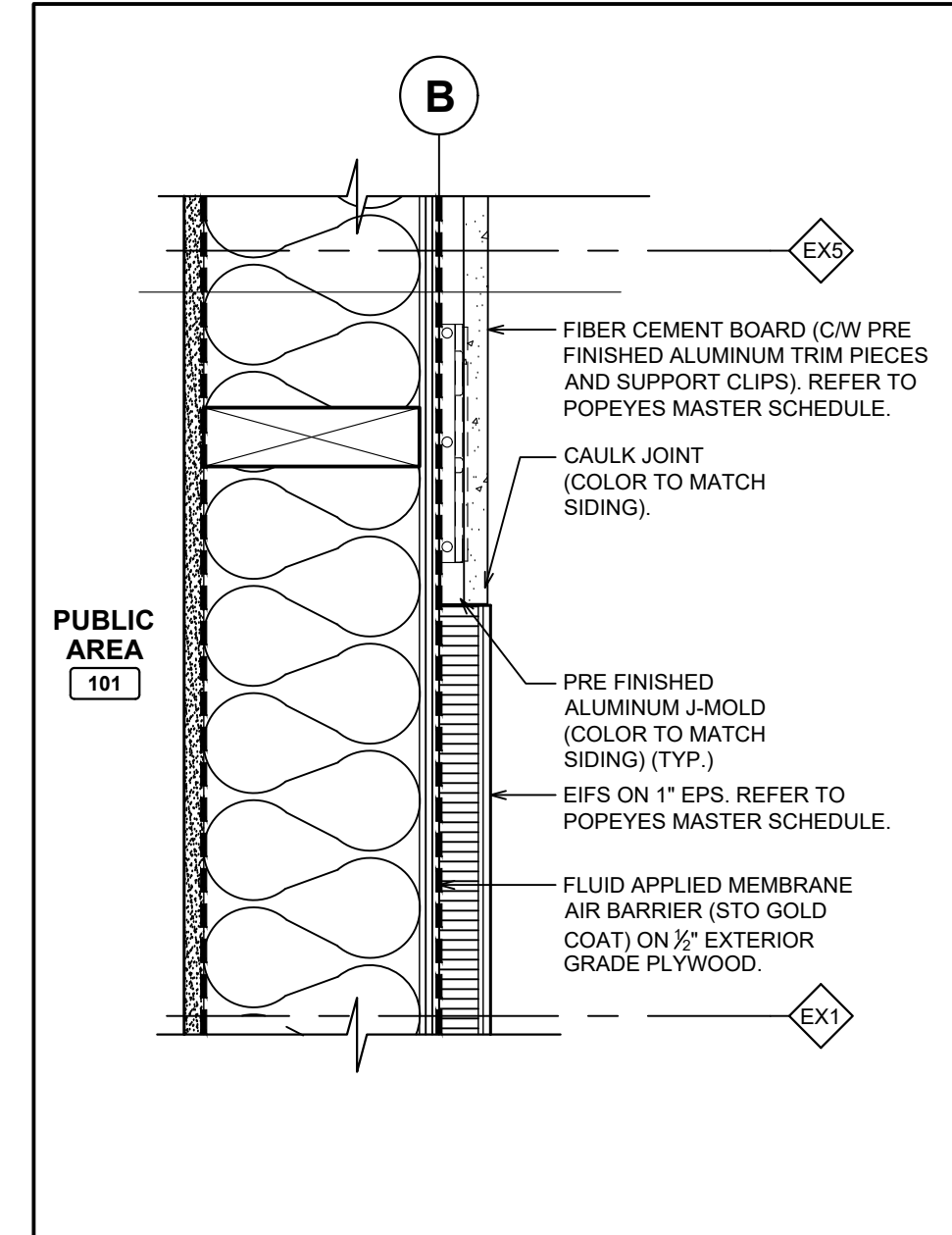
6 PLAN DETAIL @ TOWER
A7.1 SCALE: 2 1/2"=1'-0"



8 PLAN DETAIL @ WALK-IN BOX
A7.1 SCALE: 2 1/2"=1'-0"



9 PLAN DETAIL @ CORNER
A7.1 SCALE: 2 1/2"=1'-0"



10 PLAN DETAIL @ FINISH TRANSITION
A7.1 SCALE: 2 1/2"=1'-0"

ISSUE TABLE		
No.	Date (mm/dd/yyyy)	Description

REVISIONS		
No.	Date	Description
1	8/01/2023	RESPONSE TO CITY
2	9/04/2023	HEALTH COMMENTS
3	9/12/2023	RESPONSE TO CITY
4	9/12/2023	HEALTH COMMENTS

DRAWINGS REVISED AS PER DESIGN BULLETIN

No.	Date	Description



THIS DRAWING IS OWNED BY OR LICENSED FOR USE BY POPEYES LOUISIANA KITCHEN (OR ITS AFFILIATED OR RELATED COMPANIES) AND MAY NOT BE REPRODUCED, USED, DOWNLOADED, DISSEMINATED, PUBLISHED, OR TRANSFERRED IN ANY FORM OR BY ANY MEANS, EXCEPT WITH THE PRIOR WRITTEN CONSENT OF POPEYES LOUISIANA KITCHEN. COPYRIGHT INFRINGEMENT IS A VIOLATION OF FEDERAL LAW SUBJECT TO CRIMINAL AND CIVIL PENALTIES.

THE CONTRACTOR IS TO VERIFY ALL DIMENSIONS AND CONDITIONS ON THE PROJECT AND TO REPORT ANY DISCREPANCIES TO THE POPEYES LOUISIANA KITCHEN REPRESENTATIVE PRIOR TO COMMENCING WORK. THESE DRAWINGS ARE NOT TO BE USED FOR CONSTRUCTION PURPOSES UNLESS INDICATED BY POPEYES LOUISIANA KITCHEN AS ISSUED FOR CONSTRUCTION.



9.14.2023

Company Logo

ARCHITECTURE • CIVIL ENGINEERING • MEP ENGINEERING
10755 SANDHILL ROAD, DALLAS, TEXAS 75238
TEL: 214-543-9400 www.dimensiongroup.com

Project

POPEYES

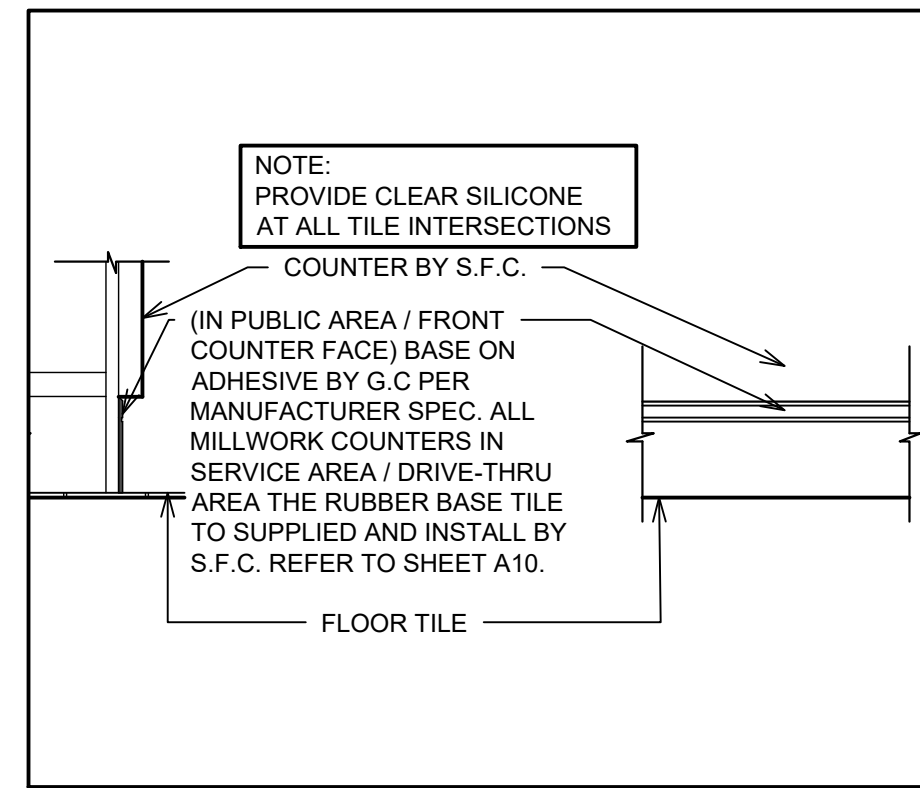
Store Type US 2112 PROTOTYPE
2112-21

Location
1517 NC 24-87
CAMERON, NC

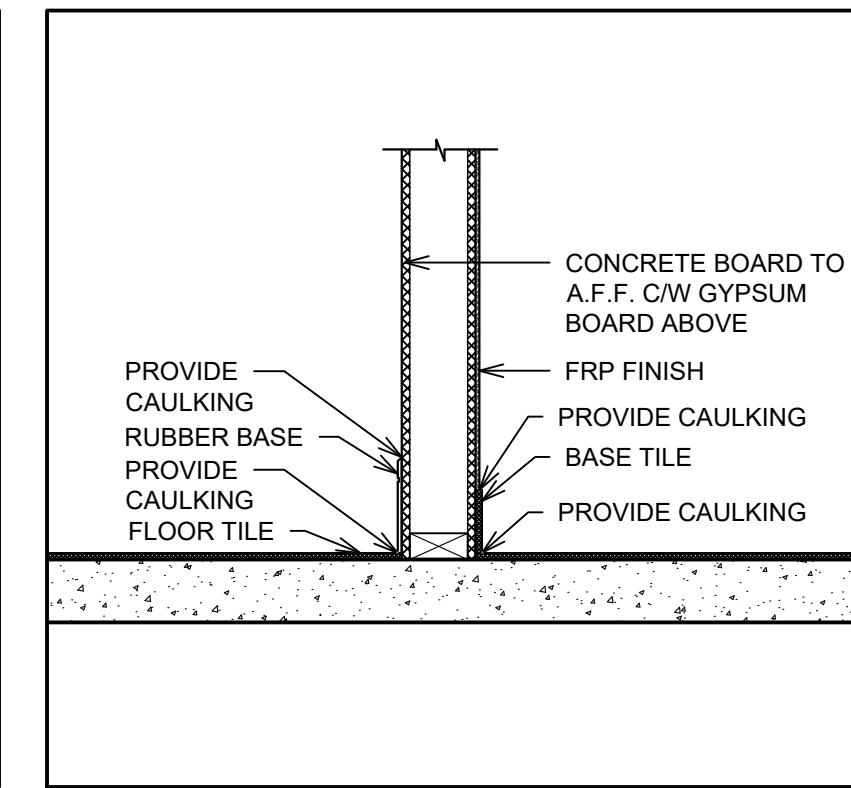
Drawing Title
PLAN DETAILS

Drawn	SH	Checked	AL
Scale	AS NOTED	Date	JUNE 2023
Project No.	C22-129	Drawing No.	A7.1

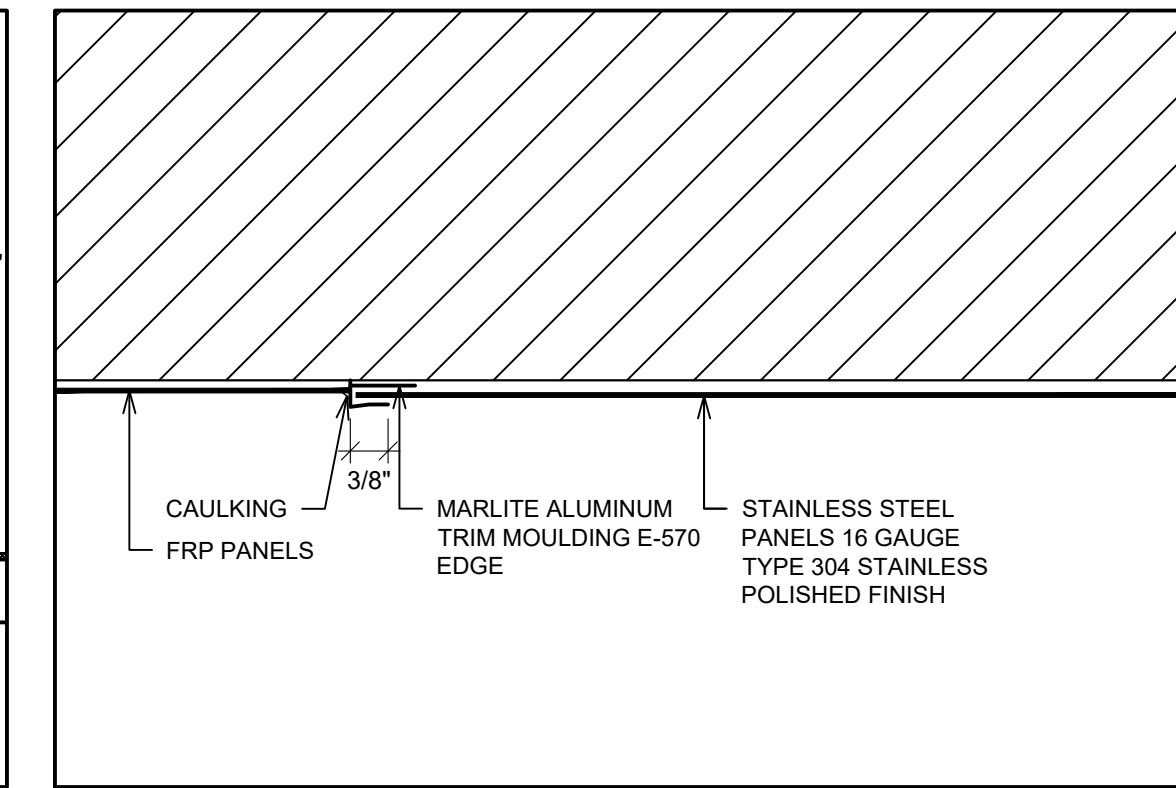
POPEYES LOUISIANA KITCHEN MODEL 2112, 1517 NC 24-87, CAMERON, NC (JUNE 01, 2023) STORE NO. C22-129



5 RUBBER BASE @ COUNTER
SCALE: 1" = 1'-0"



4 BASE @ FRP & GYPSUM BOARD
SCALE: 1" = 1'-0"



1 FRP-STAINLESS STEEL TRIM DETAIL
SCALE: 6" = 1'-0"

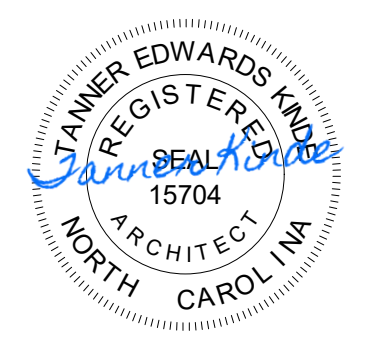
ISSUE TABLE		
No.	Date (mm/dd/yy)	Description

REVISIONS		
No.	Date	Description
1	8/01/2023	RESPONSE TO CITY
2	9/04/2023	HEALTH COMMENTS
3	9/12/2023	RESPONSE TO CITY
4	9/12/2023	HEALTH COMMENTS

DRAWINGS REVISED AS PER DESIGN BULLETIN		
No.	Date	Description

THIS DRAWING IS OWNED BY OR LICENSED FOR USE BY POPEYES LOUISIANA KITCHEN (OR ITS AFFILIATED OR RELATED COMPANIES) AND MAY NOT BE REPRODUCED, USED, DOWNLOADED, DISSEMINATED, PUBLISHED, OR TRANSFERRED IN ANY FORM OR BY ANY MEANS, EXCEPT WITH THE PRIOR WRITTEN CONSENT OF POPEYES LOUISIANA KITCHEN. COPYRIGHT INFRINGEMENT IS A VIOLATION OF FEDERAL LAW SUBJECT TO CRIMINAL AND CIVIL PENALTIES.

THE CONTRACTOR IS TO VERIFY ALL DIMENSIONS AND CONDITIONS ON THE PROJECT AND TO REPORT ANY DISCREPANCIES TO THE POPEYES LOUISIANA KITCHEN REPRESENTATIVE PRIOR TO COMMENCING WORK. THESE DRAWINGS ARE NOT TO BE USED FOR CONSTRUCTION PURPOSES UNLESS INDICATED BY POPEYES LOUISIANA KITCHEN AS "ISSUED FOR CONSTRUCTION".



9.14.2023

Company Logo

Project

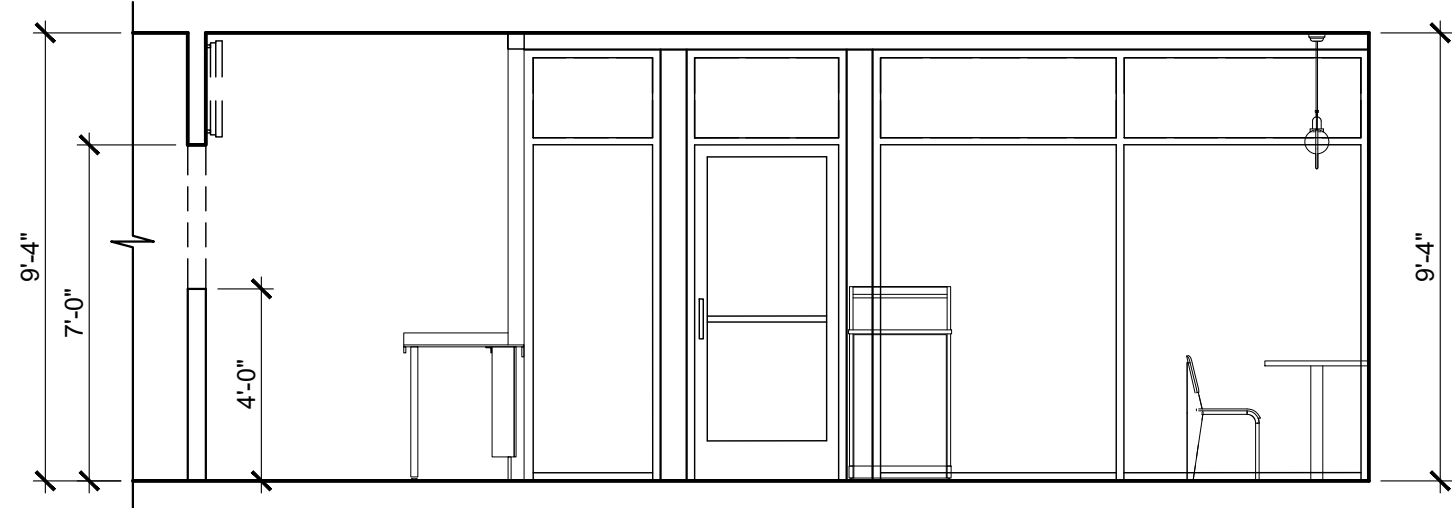
Store Type
US 2112 PROTOTYPE
2112-21

Location
**1517 NC 24-87
CAMERON, NC**

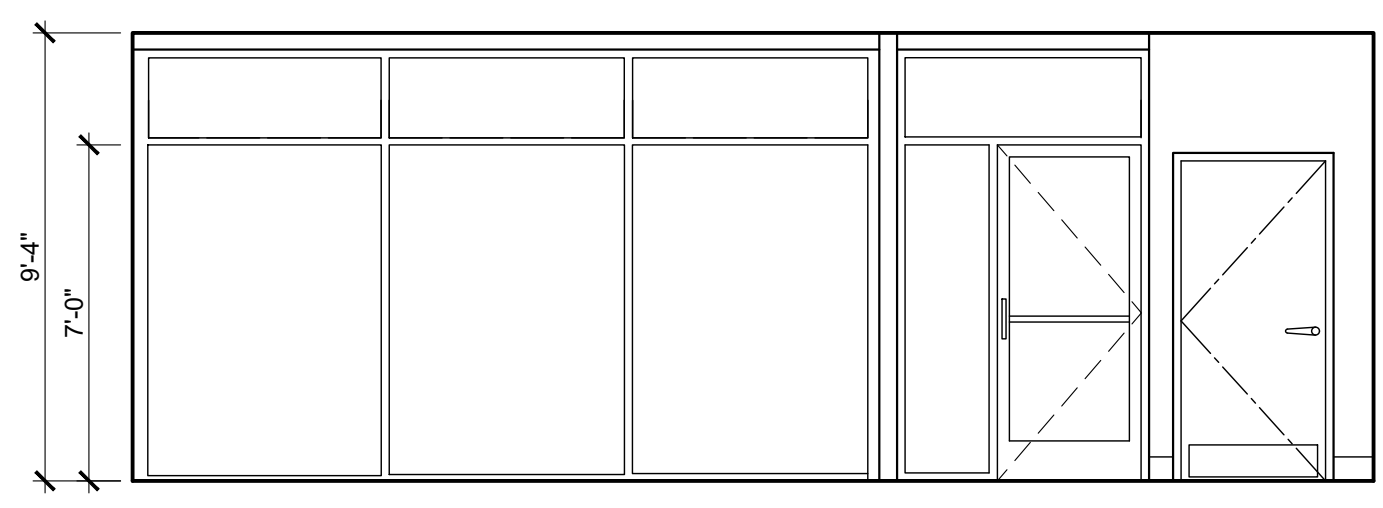
Drawing Title
DETAILS

Drawn	SH	Checked	AL
Scale	AS NOTED	Date	JUNE 2023
Project No.	C22-129	Drawing No.	A8

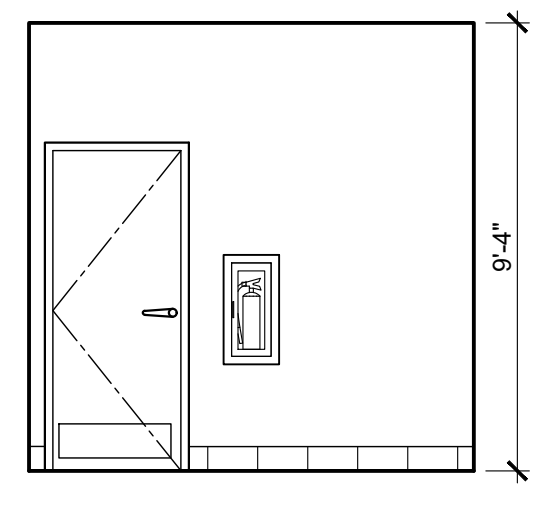
POPEYES LOUISIANA KITCHEN MODEL 2112, 1517 NC 24-87, CAMERON, NC (JUNE 01, 2023) STORE NO. C22-129



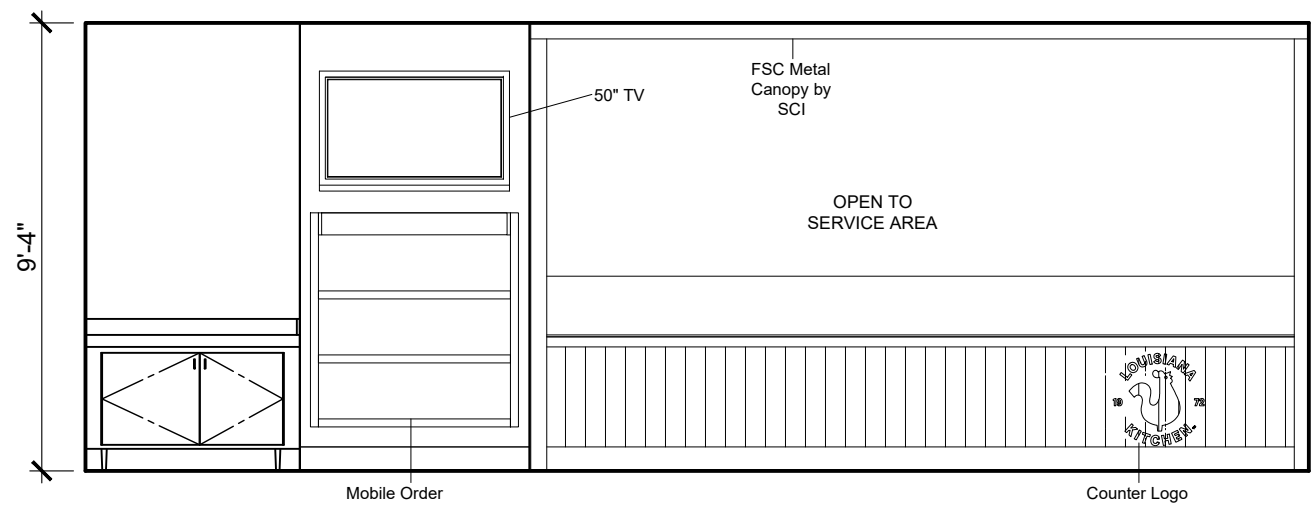
1 SERVICE AREA / PUBLIC AREA
A9 SCALE: 1/4" = 1'-0"



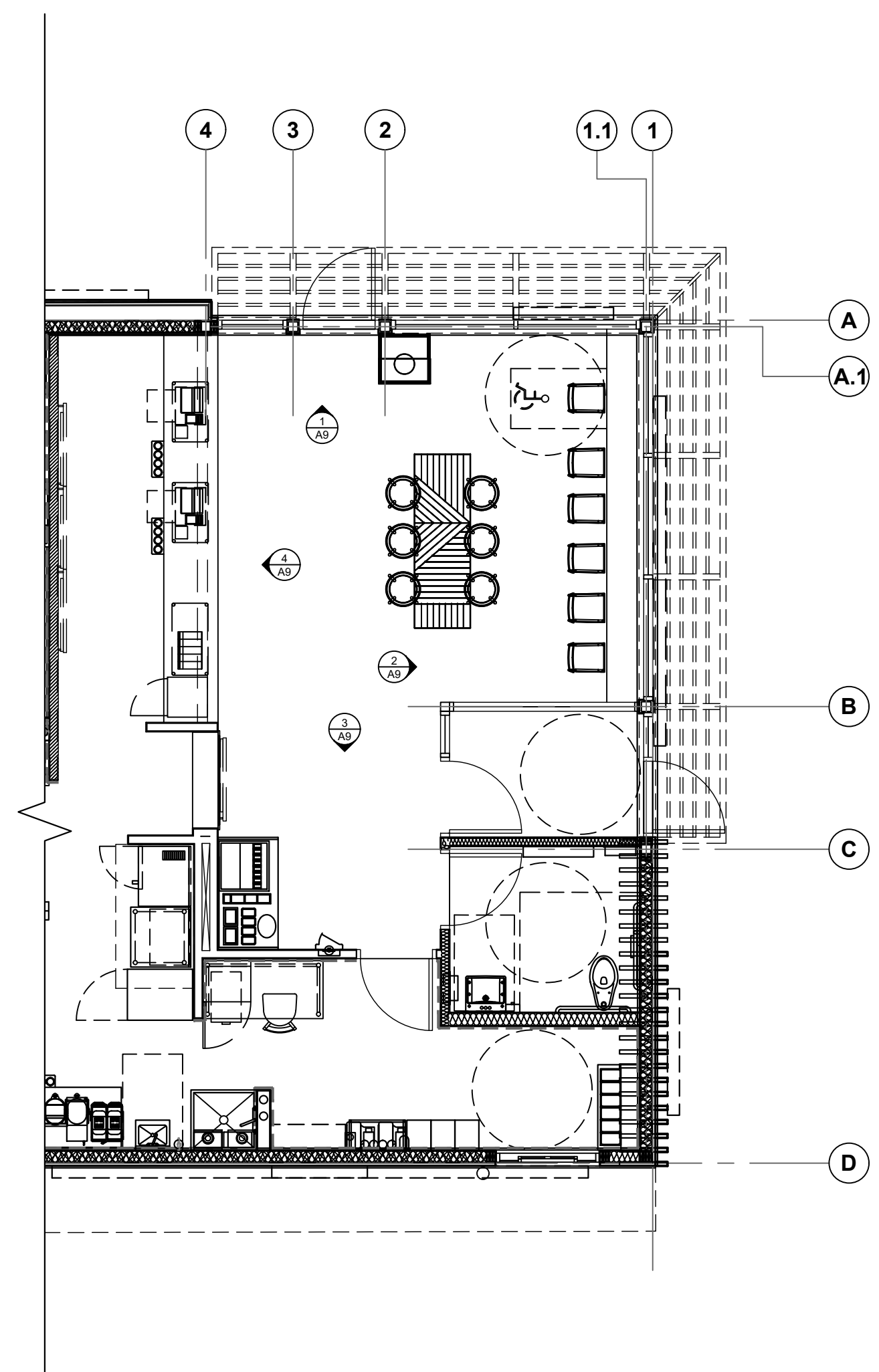
2 PUBLIC AREA
A9 SCALE: 1/4" = 1'-0"



3 PUBLIC AREA
A9 SCALE: 1/4" = 1'-0"



4 PUBLIC AREA
A9 SCALE: 1/4" = 1'-0"



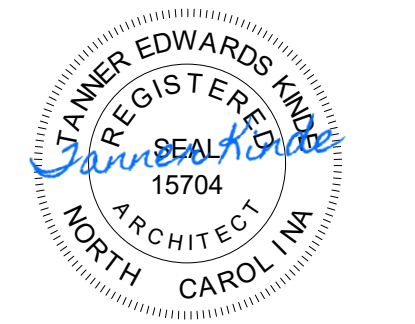
ISSUE TABLE		
No.	Date (mm/dd/yy)	Description

REVISIONS		
No.	Date	Description
1	8/01/2023	RESPONSE TO CITY
2	9/04/2023	HEALTH COMMENTS
3	9/12/2023	RESPONSE TO CITY
4	9/12/2023	HEALTH COMMENTS

DRAWINGS REVISED AS PER DESIGN BULLETIN		
No.	Date	Description

THIS DRAWING IS OWNED BY OR LICENSED FOR USE BY POPEYES LOUISIANA KITCHEN OR ITS AFFILIATED OR RELATED COMPANIES AND MAY NOT BE REPRODUCED, USED, DOWNLOADED, DISSEMINATED, PUBLISHED, OR TRANSFERRED IN ANY FORM OR BY ANY MEANS, EXCEPT WITH THE PRIOR WRITTEN CONSENT OF POPEYES LOUISIANA KITCHEN. COPYRIGHT INFRINGEMENT IS A VIOLATION OF FEDERAL LAW SUBJECT TO CRIMINAL AND CIVIL PENALTIES.

THE CONTRACTOR IS TO VERIFY ALL DIMENSIONS AND CONDITIONS ON THE PROJECT AND TO REPORT ANY DISCREPANCIES TO THE POPEYES LOUISIANA KITCHEN REPRESENTATIVE PRIOR TO COMMENCING WORK. THESE DRAWINGS ARE NOT TO BE USED FOR CONSTRUCTION PURPOSES UNLESS INDICATED BY POPEYES LOUISIANA KITCHEN AS ISSUED FOR CONSTRUCTION.



9.14.2023

Company Logo

Project

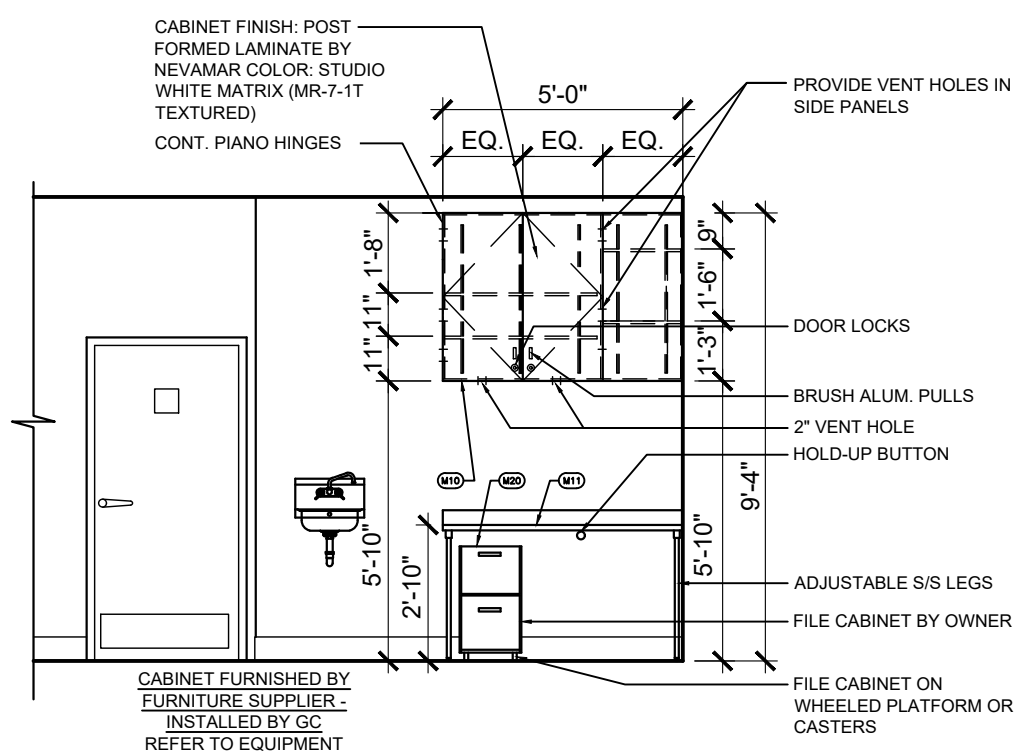
Store Type
US 2112 PROTOTYPE
2112-21

Location
1517 NC 24-87
CAMERON, NC

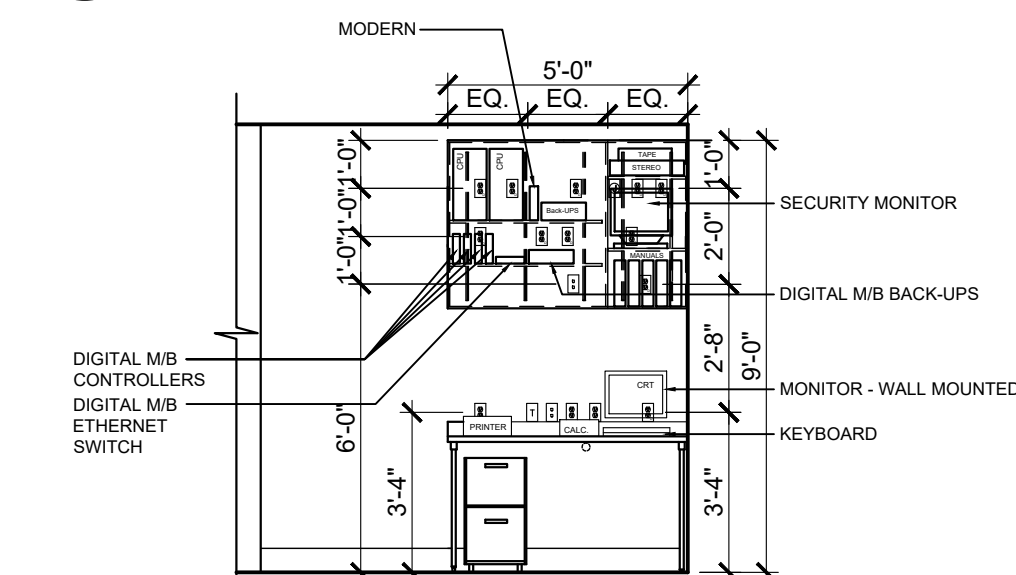
Drawing Title
INTERIOR ELEVATIONS

Drawn	Checked
Scale	Date JUNE 2023
Project No. C22-129	Drawing No. A9

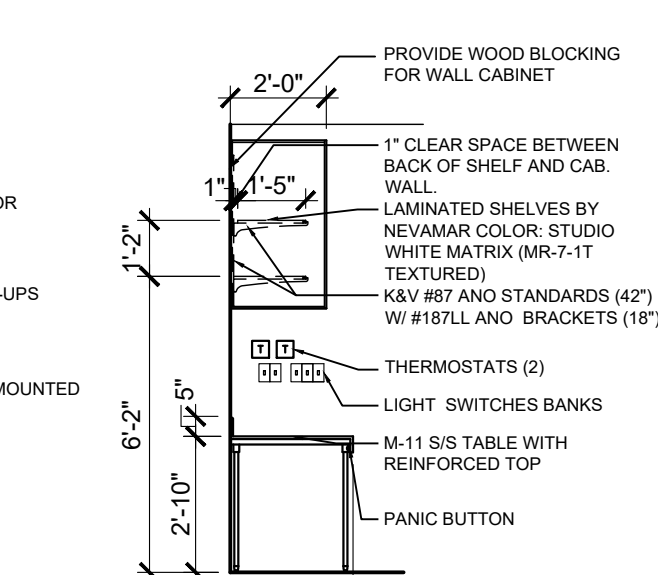
POPEYES LOUISIANA KITCHEN MODEL 2112, 1517 NC 24-87, CAMERON, NC (JUNE 01, 2023) STORE NO. C22-129



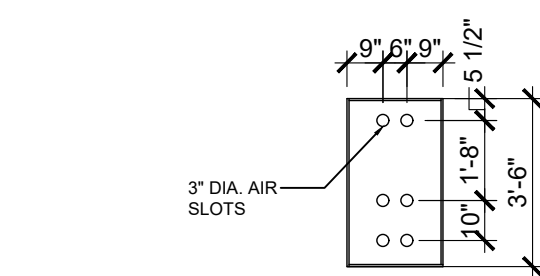
1 ELEVATIONS @ OFFICE, CABINET
A9.2 SCALE: 1/4" = 1'-0"



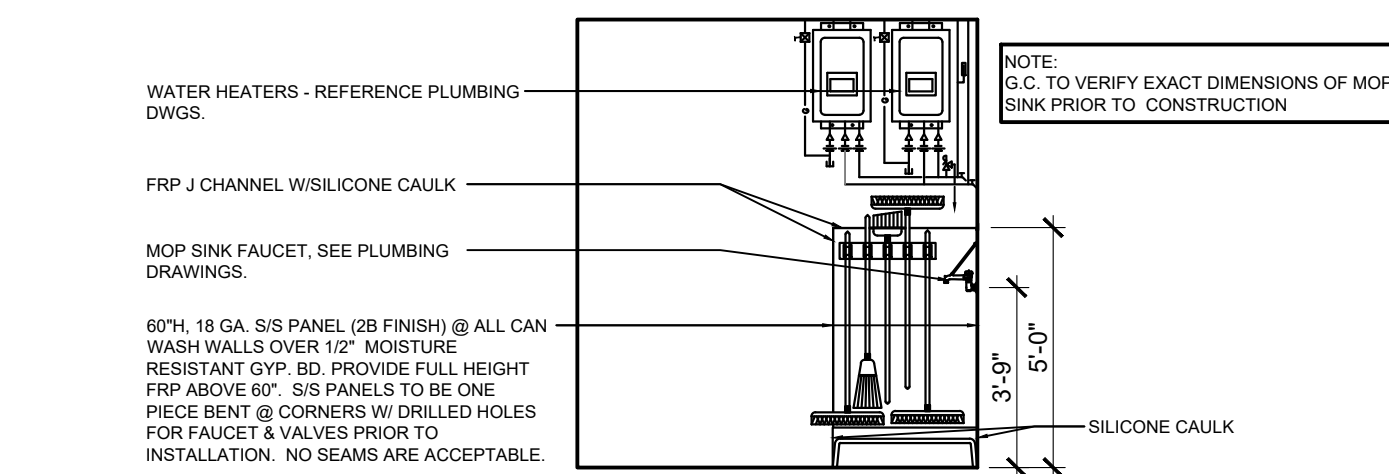
2 ELEVATIONS @ OFFICE
A9.2 SCALE: 1/4" = 1'-0"



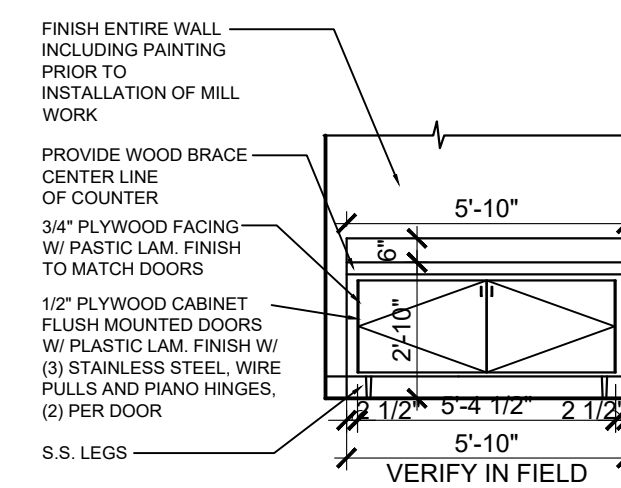
3 ELEVATIONS @ OFFICE
A9.2 SCALE: 1/4" = 1'-0"



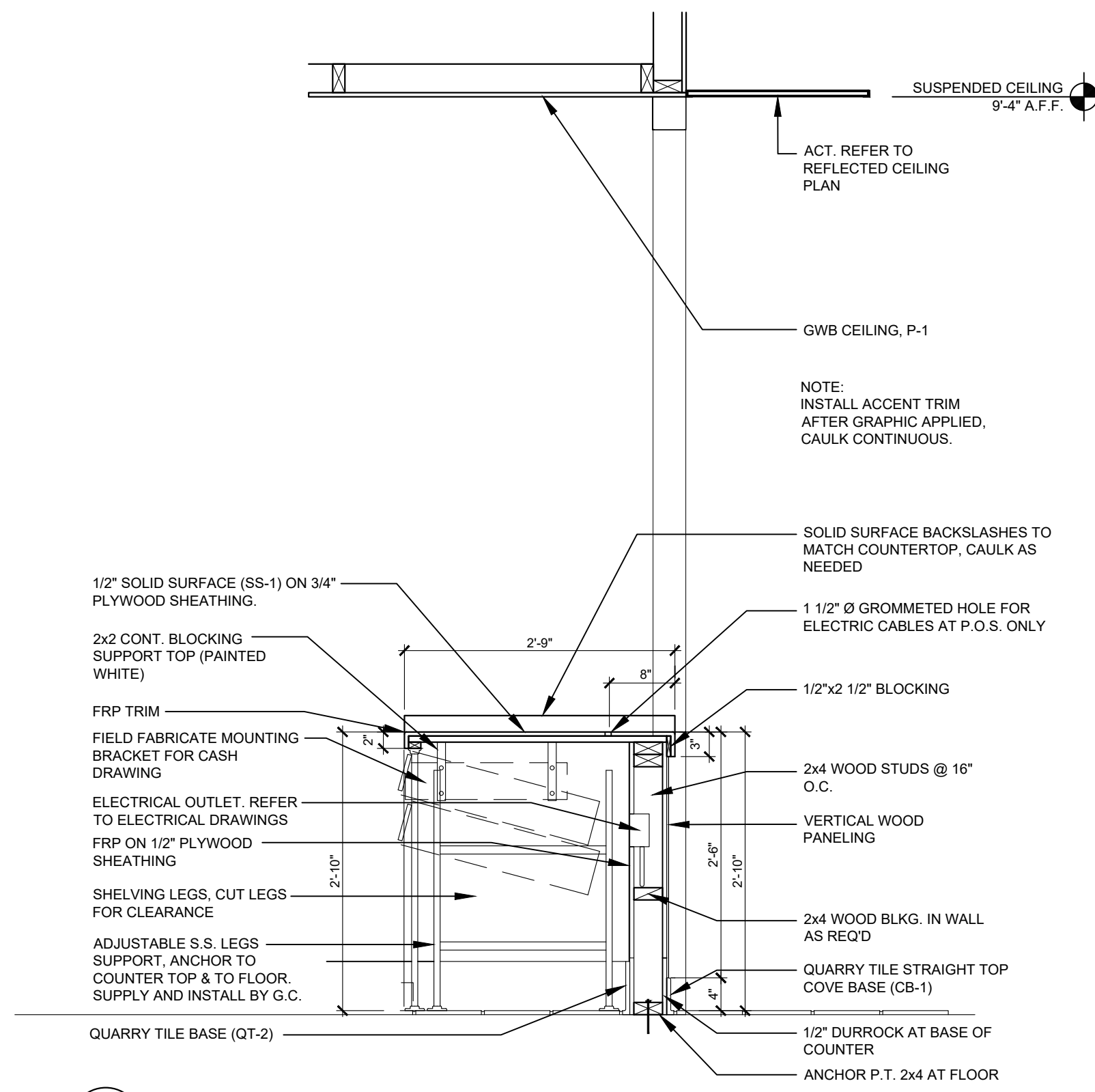
4 PERFORATED SIDE PANELS
A9.2 SCALE: 1/4" = 1'-0"



5 SECTION @ MOP SINK
A9.2 SCALE: 1/4" = 1'-0"



6 SELF-SERVE COUNTER ELEVATIONS
A9.2 SCALE: 1/4" = 1'-0"



7 SECTION @ FRONT COUNTER
A9.2 SCALE: 3/4" = 1'-0"

ISSUE TABLE		
No.	Date (mm/dd/yy)	Description

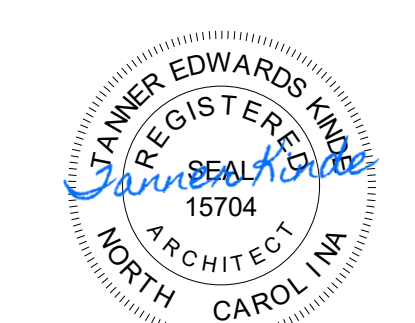
REVISIONS		
No.	Date	Description
1	8/01/2023	RESPONSE TO CITY
2	9/04/2023	HEALTH COMMENTS
3	9/12/2023	RESPONSE TO CITY
4	9/12/2023	HEALTH COMMENTS

DRAWINGS REVISED AS PER DESIGN BULLETIN		
No.	Date	Description



THIS DRAWING IS OWNED BY OR LICENSED FOR USE BY POPEYES LOUISIANA KITCHEN OR ITS AFFILIATED OR RELATED COMPANIES AND MAY NOT BE REPRODUCED, USED, DOWN LOADED, DISSEMINATED, PUBLISHED, OR TRANSFERRED IN ANY FORM OR BY ANY MEANS, EXCEPT WITH THE PRIOR WRITTEN CONSENT OF POPEYES LOUISIANA KITCHEN. COPYRIGHT INFRINGEMENT IS A VIOLATION OF FEDERAL LAW SUBJECT TO CRIMINAL AND CIVIL PENALTIES.

THE CONTRACTOR IS TO VERIFY ALL DIMENSIONS AND CONDITIONS ON THE PROJECT AND TO REPORT ANY DISCREPANCIES TO THE POPEYES LOUISIANA KITCHEN REPRESENTATIVE PRIOR TO COMMENCING WORK. THESE DRAWINGS ARE NOT TO BE USED FOR CONSTRUCTION PURPOSES UNLESS INDICATED BY POPEYES LOUISIANA KITCHEN AS ISSUED FOR CONSTRUCTION.



9.14.2023

Company Logo

ARCHITECTURE - CIVIL ENGINEERING - MEP ENGINEERING
10755 SANDHILL ROAD, DALLAS, TEXAS 75238
TEL: 214-343-9400 www.thedimensiongroup.com

Project

POPEYES

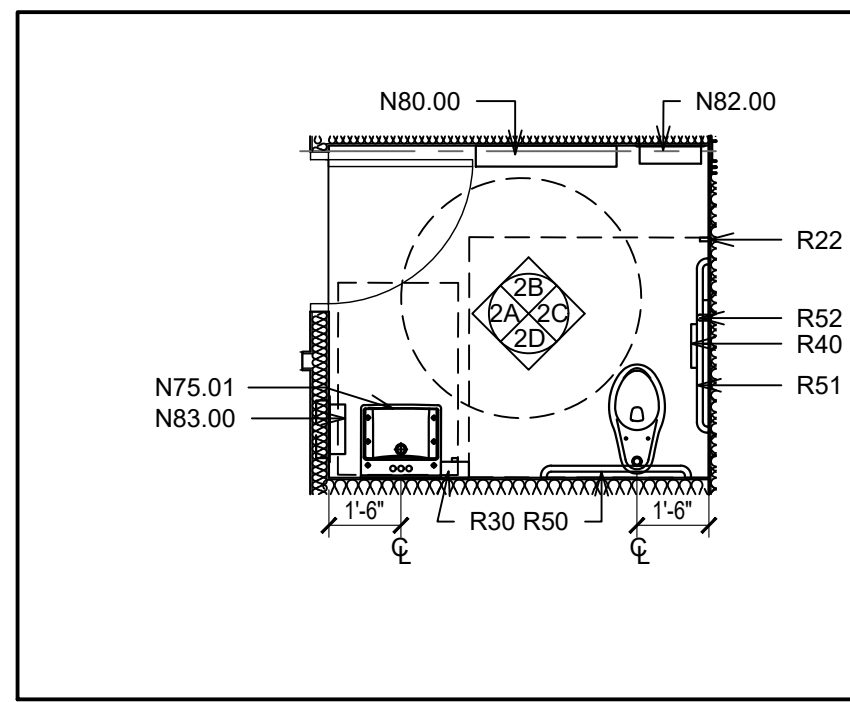
Store Type
US 2112 PROTOTYPE
2112-21

Location
1517 NC 24-87
CAMERON, NC

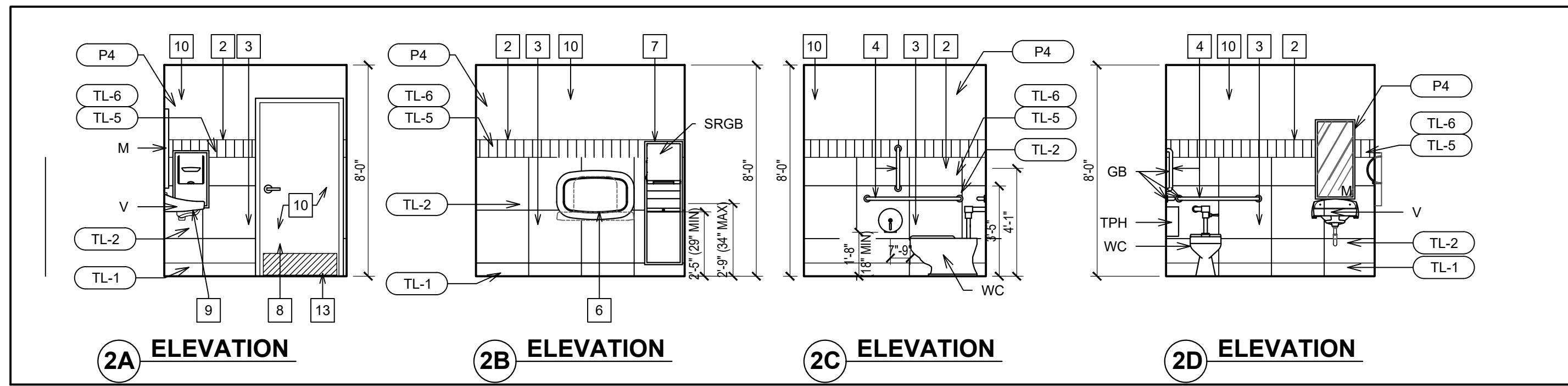
Drawing Title
INTERIOR ELEVATIONS

Drawn	Checked
Scale	Date JUNE 2023
Project No. C22-129	Drawing No. A9.2

POPEYES LOUISIANA KITCHEN MODEL 2112, 1517 NC 24-87, CAMERON, NC (JUNE 01, 2023) STORE NO. C22-129



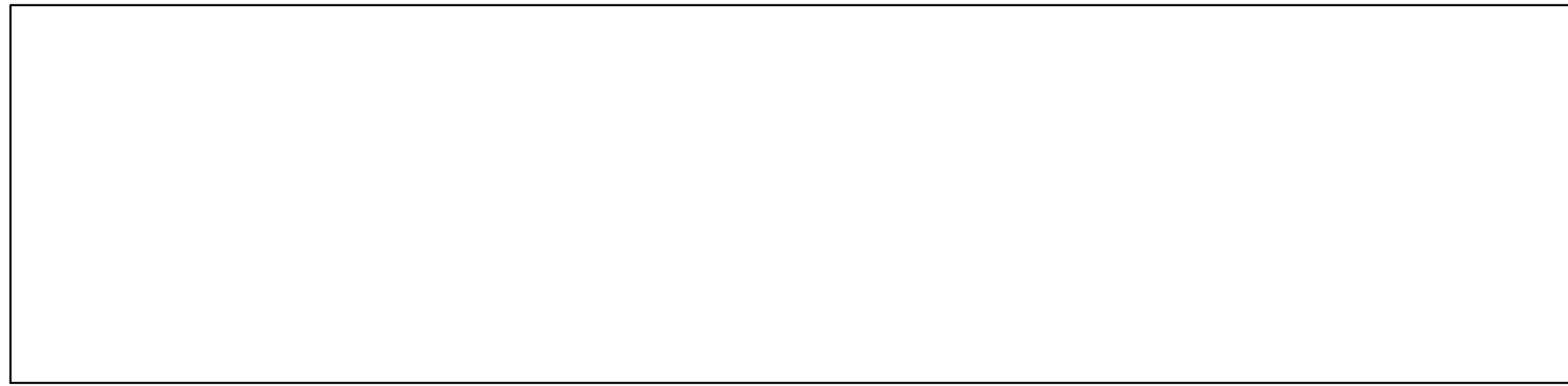
1 PLAN MEN'S WASHROOM
A9.3 SCALE: 1/4" = 1'-0"



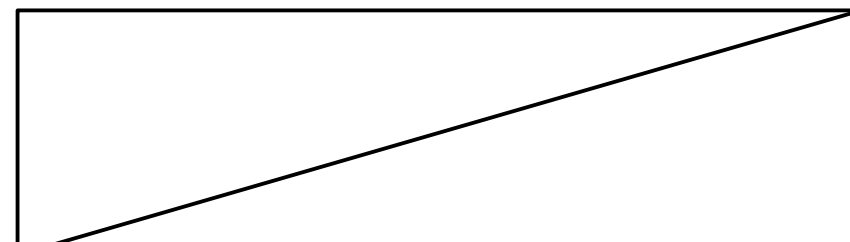
2 ELEVATIONS MEN'S WASHROOM
A9.3 SCALE: 1/4" = 1'-0"



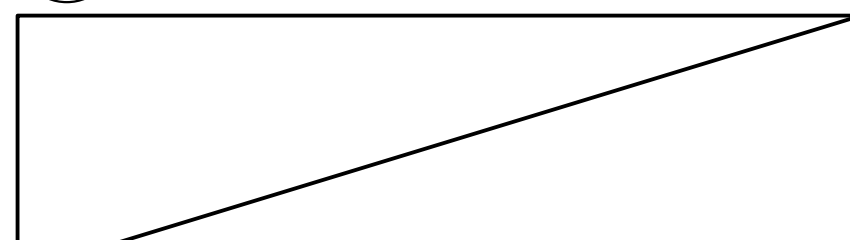
3 PLAN WOMEN'S WASHROOM
A9.3 SCALE: 1/4" = 1'-0"



4 ELEVATIONS WOMEN'S WASHROOM
A9.3 SCALE: 1/4" = 1'-0"



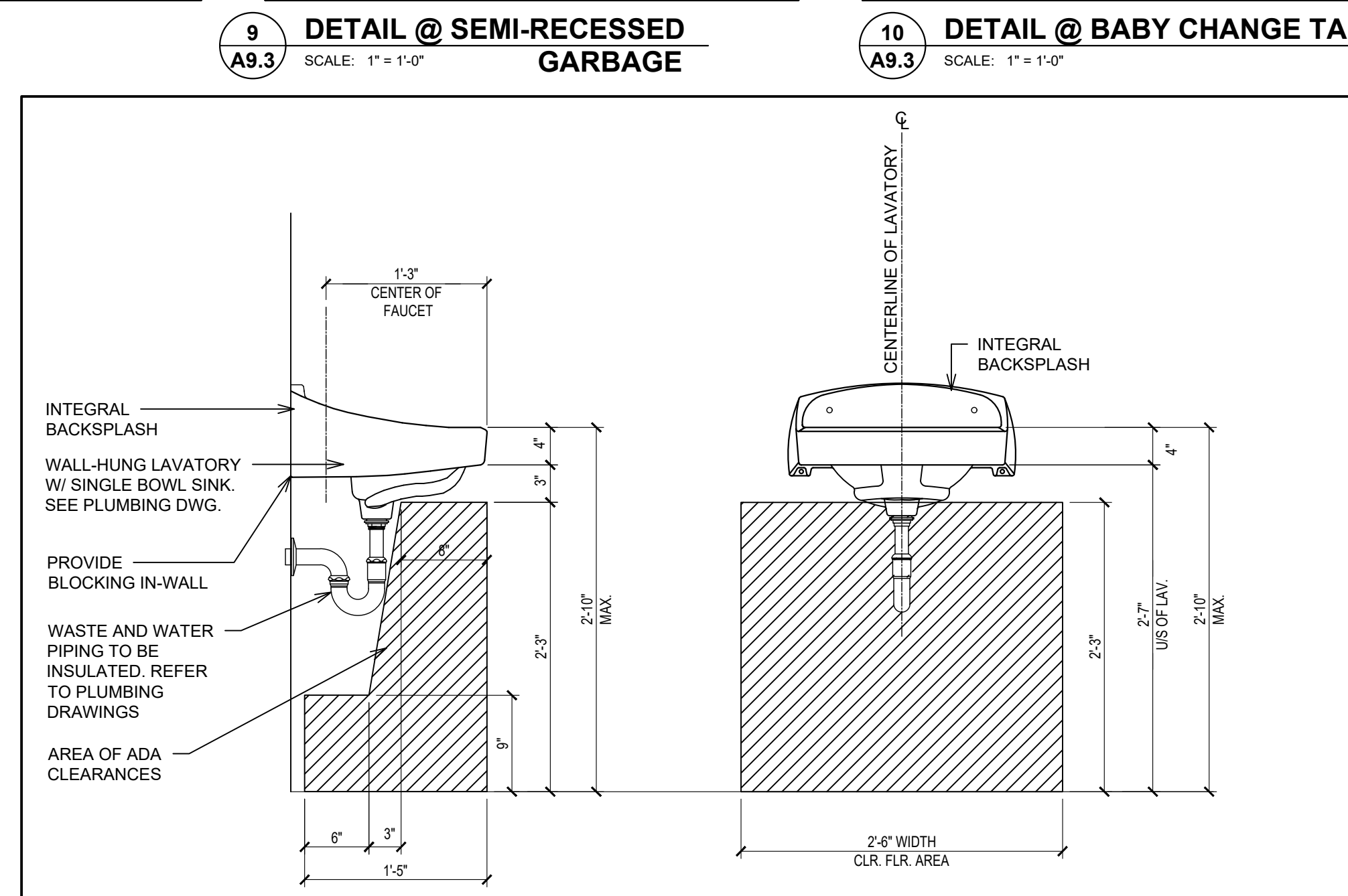
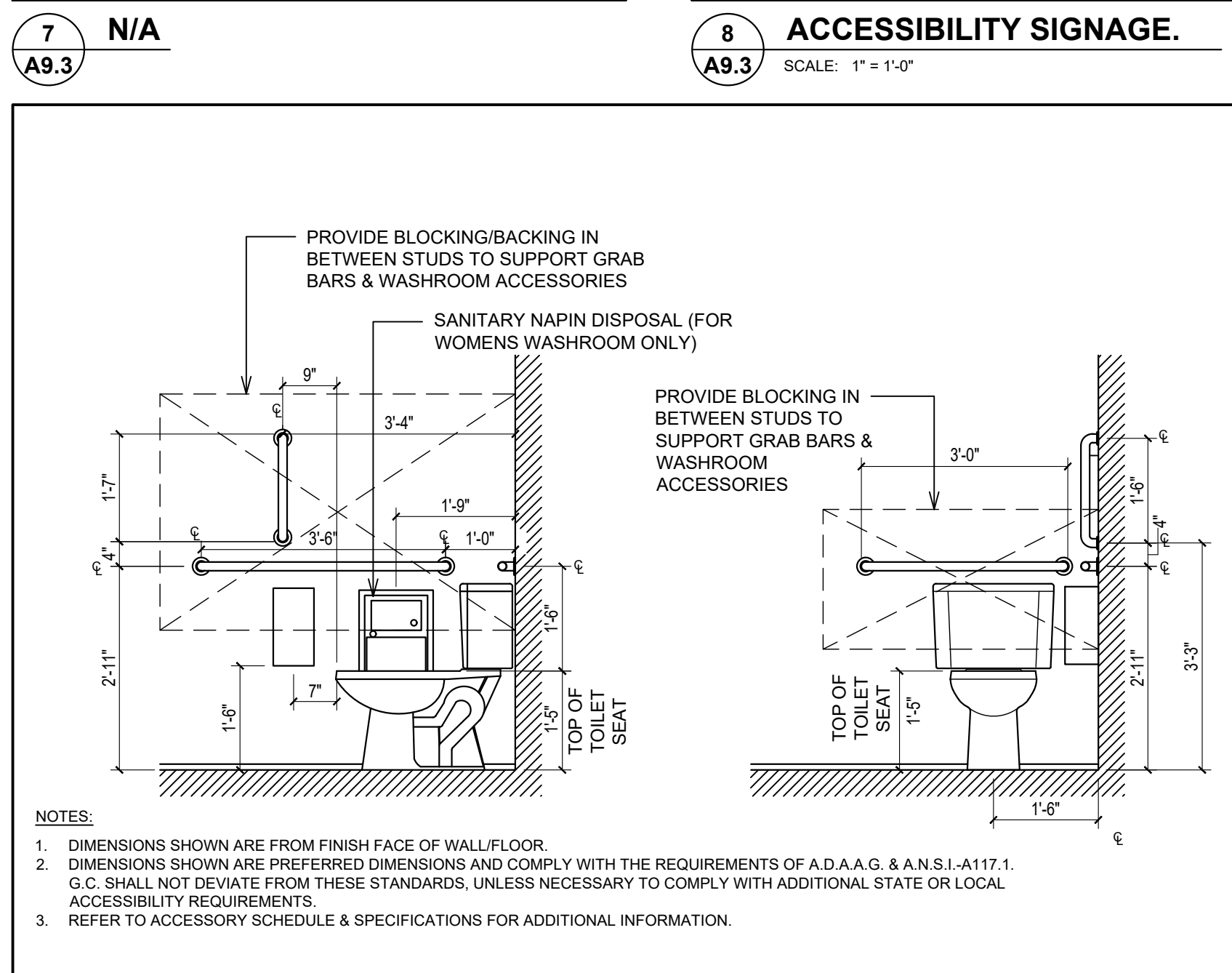
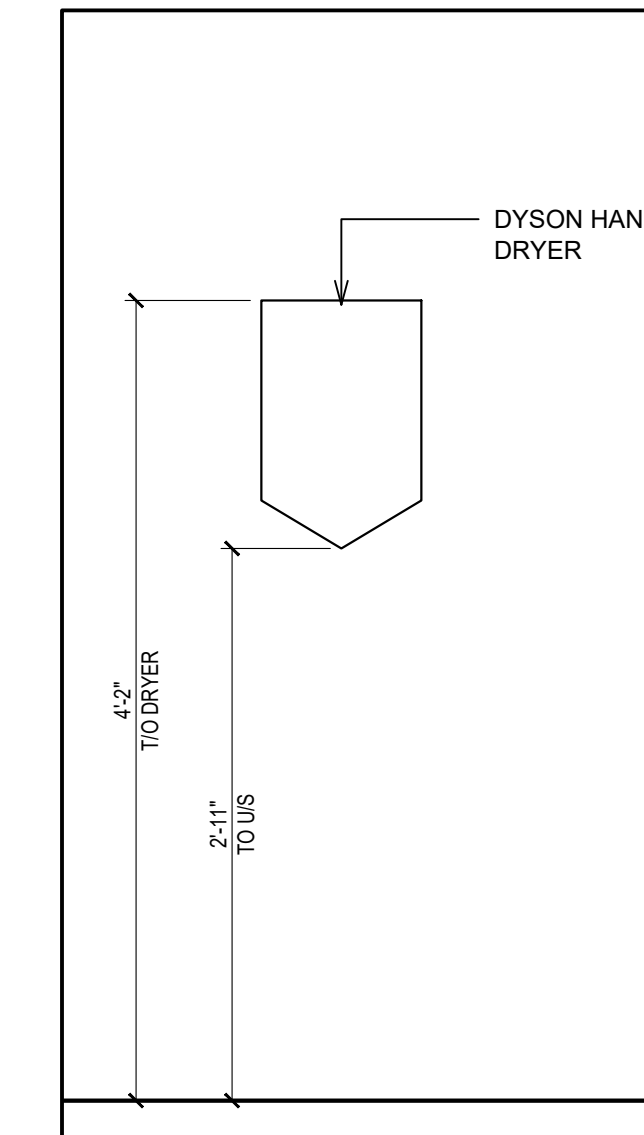
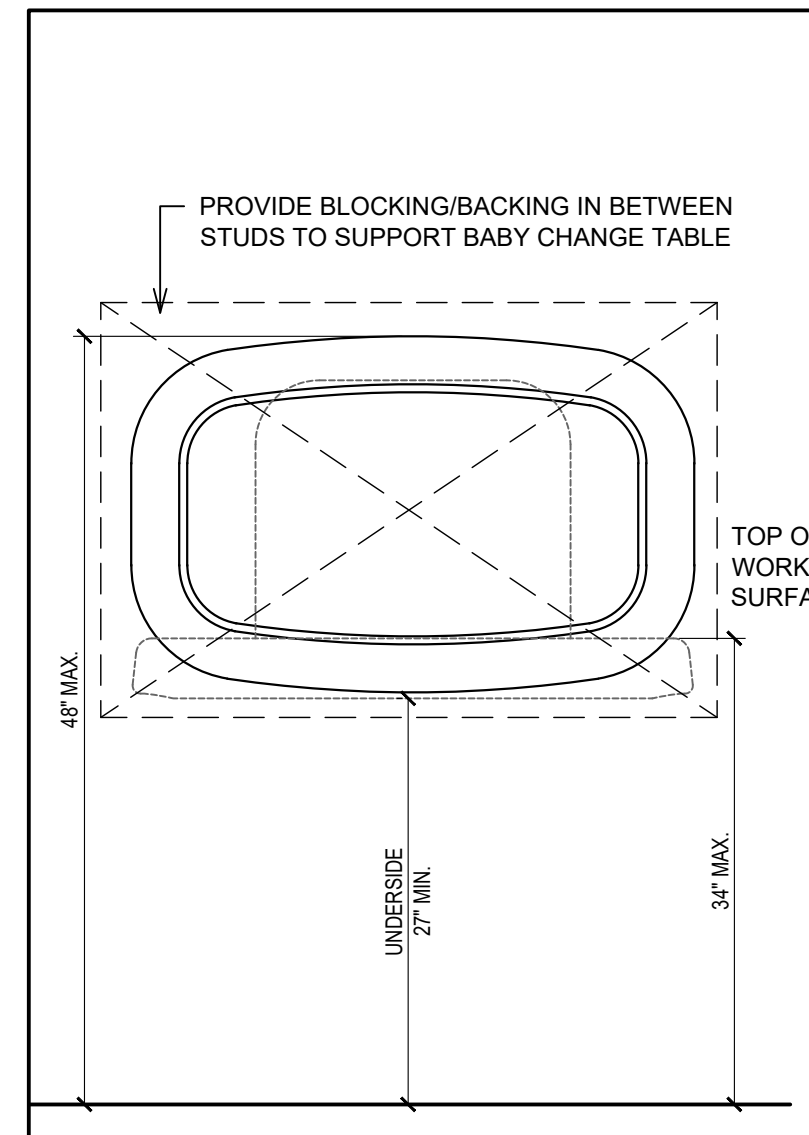
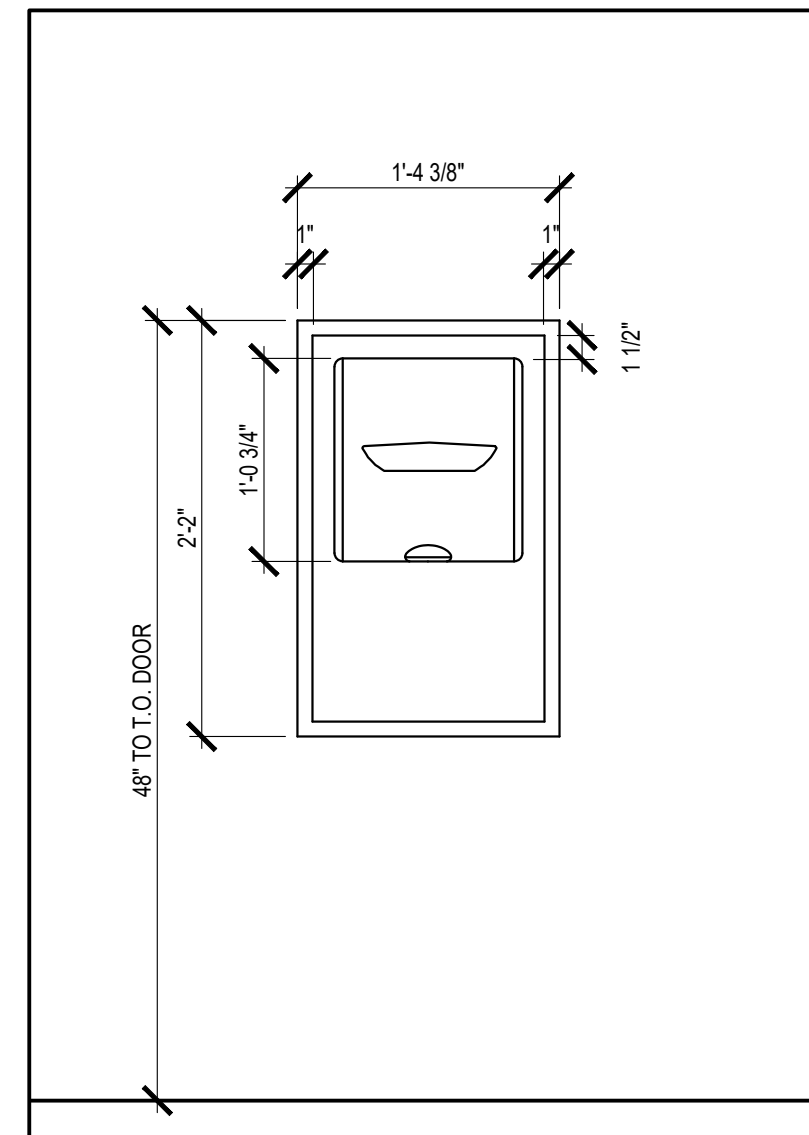
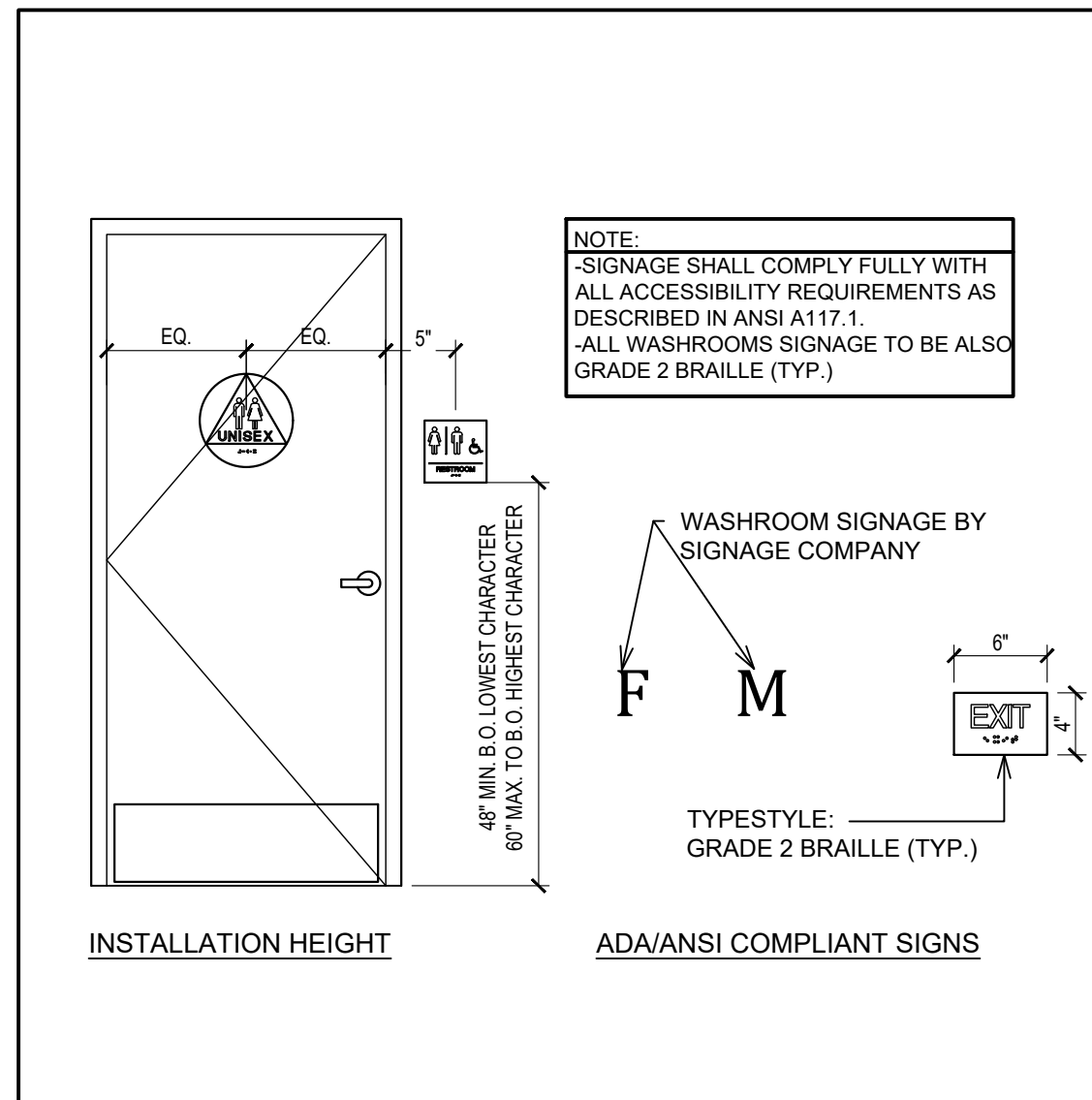
5 N/A.
A9.3



6 N/A.
A9.3



7 N/A.
A9.3



INTERIOR ELEVATION NOTES

- MIRROR IN PUBLIC WASHROOMS TO BE 1'-0" x 3'-0". MIRROR TO BE CENTERED ABOVE VANITIES & SURFACE MOUNTED ON WALL FINISH. SEE DRAWING A2 FOR SPECIFICATION BOTTOM AND ONE OF THE VERTICAL SLIDE FRAMES TO BE PRE-DRILLED & SCREWED TO WALL. REMAINDER OF FRAMES AND MIRROR TO BE ADHERED W/ APPROVED MIRROR ADHESIVE OR SILICONE. REFER TO DETAIL 14/A9.3.
- WALL TILE FINISH TL-5 AND TL-6 - REFER TO FINISH SCHEDULE ON SHEET A10 FOR TYPE. GC TO BE SUPPLIED AND INSTALLED.
- WALL TILE TL-2 - REFER TO FINISH SCHEDULE ON SHEET A10 FOR TYPE.
- PROVIDE PLYWOOD BACKING IN BETWEEN STUDS TO ACCOMMODATE GRAB BARS. PROVIDE ADEQUATE SIZE. REFER TO DETAIL 12/A9.3.
- N/A.
- PROVIDE ADEQUATE PLYWOOD BACKING IN BETWEEN STUDS AT BABY CHANGE TABLE. REFER TO DETAIL 10/A9.3.
- PROVIDE OPENING IN WALL TO ACCOMMODATE SEMI-RECESSED GARBAGE. REFER TO DETAIL 9/A9.3.
- DOORS & FRAMES. REFER TO FINISH SCHEDULES ON SHEET A10 FOR FINISHES & A11 FOR TYPE.
- VANITY - REFER TO DETAIL 13/A9.3.
- PAINT FINISH - REFER TO TYPICAL WASHROOM ELEVATION ON SHEET A10 FOR TYPE.
- LAVATORY CARRIER - SEE PLUMBING SCHEDULE.
- PROVIDE & INSTALL SCHLUTER STRIP AT TILED CORNERS (INSIDE/ OUTSIDE). REFER TO SHEET A10 FOR SPECS.
- G.C TO PROVIDE AND INSTALL KICK PLATE. REFER TO HARDWARE SCHEDULE ON SHEET A11.

SYMBOL LEGEND

1 NOTE REFERENCE REFER TO ELEVATION NOTES

WASHROOM ACCESSORIES

TPH	-TOILET PAPER HOLDER (R40), BOBRICK B-2890
GB	-GRAB BAR (R50), GAMCO 150-S x36" -GRAB BAR (R51), GAMCO 150-S x42" -GRAB BAR (R52), GAMCO 150-S x18"
M	-MIRROR (R20), CHANNEL FRAME 18"x36" - GAMCO C-18x36
SRGB	-SEMI-RECESSED GARBAGE BIN (N82) - BOBRICK B-3961
EHD	-ELECTRIC HAND DRYER (N83) - BRUSHED STAINLESS STEEL - XLERATOR XL-SB
BCT	-BABY CHANGE TABLE (N80), SURFACE MOUNT - KOALA KARE KB200-00
SD	-SOAP DISPENSER (R30), SURFACE MOUNT - BOBRICK B-4112
V	-VANITY
WC	-WATER CLOSET
CH	-COAT HOOK (R22), HEAVY-DUTY COAK HOOK BOBRICK B-4112
SND	-SANITARY NAPKIN DISPENSER (R60), SURFACE MOUNT BOBRICK B-270

NOTES

- REFER TO TYPICAL ACCESSORIES DETAILS FOR MOUNTING HEIGHTS AND OTHER SPECIFIC DIMENSIONS.
- REFER TO TILE PLAN AND FINISHES SCHEDULE ON SHEET A10 FOR FINISHES.
- G.C SHALL PROVIDE ADDITIONAL SOLID WOOD BLOCKING IN WALL AS NEEDED FOR PROPER INSTALLATION AND STRUCTURAL SUPPORT OF ACCESSORY ITEMS.
- VERIFY ALL PAPER & SOAP PRODUCTS WITH VENDOR.
- THE G.C SHALL VERIFY WITH THE OWNER THAT THE PAPER AND SOAP SUPPLIER IS AVAILABLE FOR ALL REPLACEMENT PRIOR TO HEALTH INSPECTION

ISSUE TABLE

No.	Date (mm/dd/yyyy)	Description

REVISIONS

No.	Date	Description
1	8/01/2023	RESPONSE TO CITY
2	9/04/2023	HEALTH COMMENTS
3	9/12/2023	RESPONSE TO CITY
4	9/12/2023	HEALTH COMMENTS

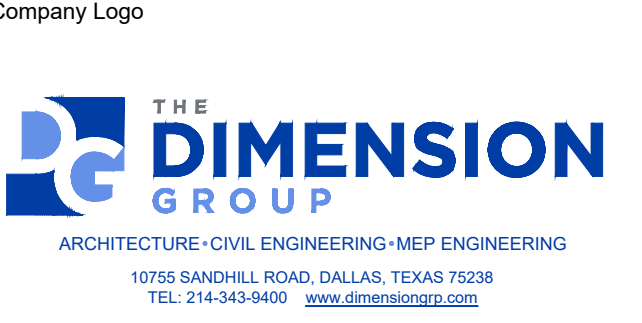
DRAWINGS REVISED AS PER DESIGN BULLETIN

No.	Date	Description



THIS DRAWING IS OWNED BY OR LICENSED FOR USE BY POPEYES LOUISIANA KITCHEN (OR ITS AFFILIATED OR RELATED COMPANIES) AND MAY NOT BE REPRODUCED, USED, COPIED, OR DISSEMINATED, PUBLISHED, OR TRANSFERRED IN ANY FORM OR BY ANY MEANS, EXCEPT WITH THE PRIOR WRITTEN CONSENT OF POPEYES LOUISIANA KITCHEN. COPYRIGHT INFRINGEMENT IS A VIOLATION OF FEDERAL LAW SUBJECT TO CRIMINAL AND CIVIL PENALTIES.

THE CONTRACTOR IS TO VERIFY ALL DIMENSIONS AND CONDITIONS ON THE PROJECT AND TO REPORT ANY DISCREPANCIES TO THE POPEYES LOUISIANA KITCHEN REPRESENTATIVE PRIOR TO COMMENCING WORK. THESE DRAWINGS ARE NOT TO BE USED FOR CONSTRUCTION PURPOSES UNLESS INDICATED BY POPEYES LOUISIANA KITCHEN AS "ISSUED FOR CONSTRUCTION".

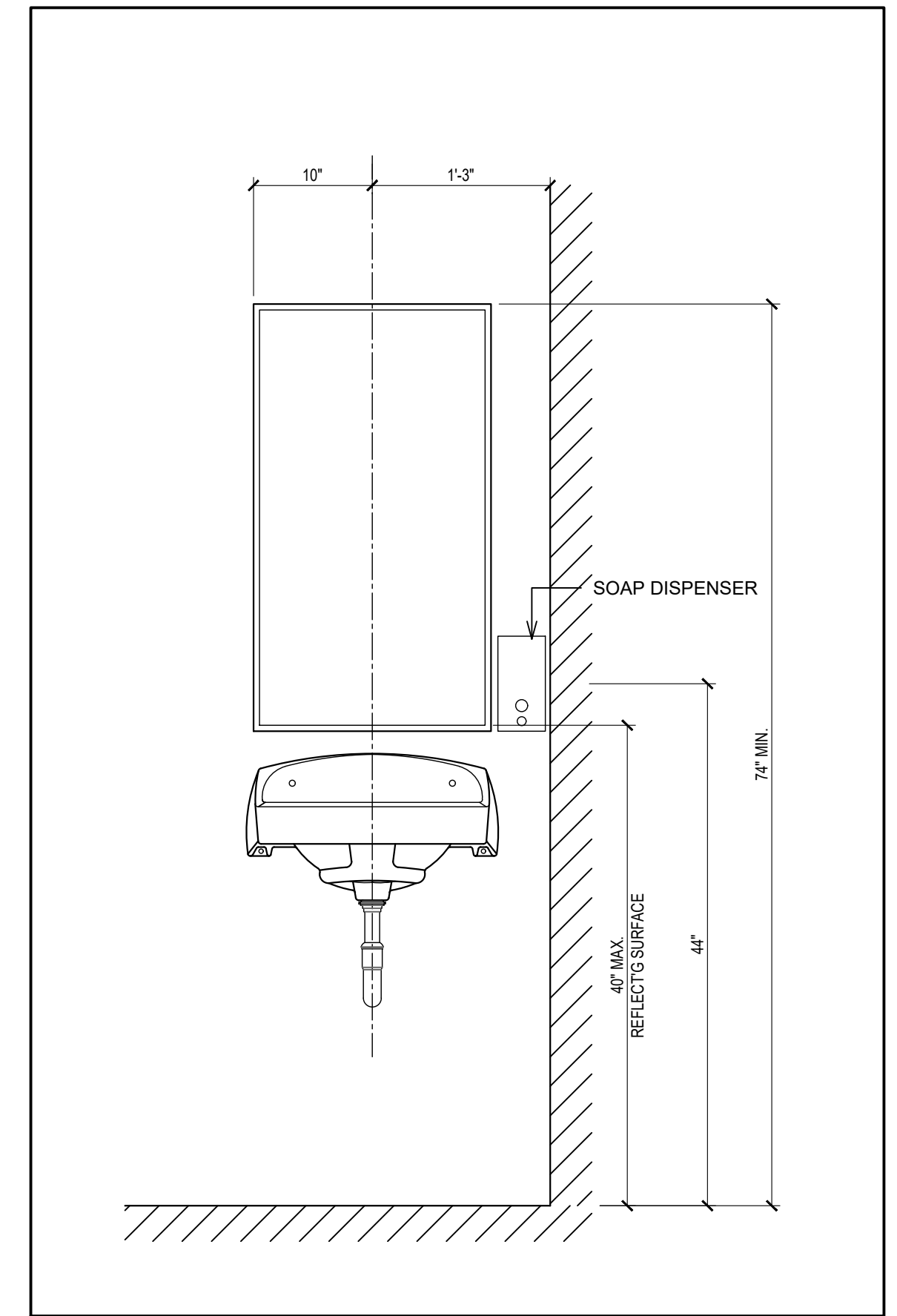


Store Type: US 2112 PROTOTYPE 2112-21

Location: 1517 NC 24-87 CAMERON, NC

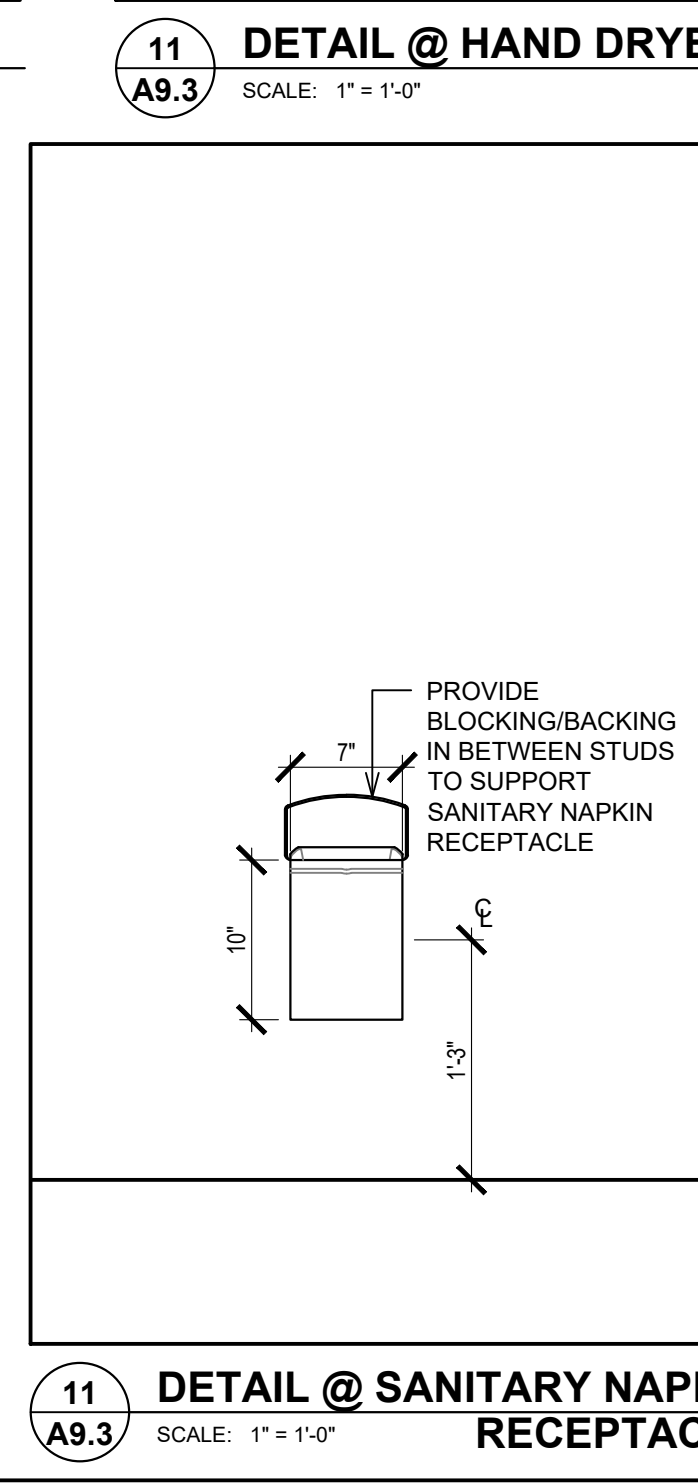
Drawing Title: WASHROOM DETAILS

Drawn: SH	Checked: AL
Scale: AS NOTED	Date: JUNE 2023
Project No: C22-129	Drawing No: A9.3

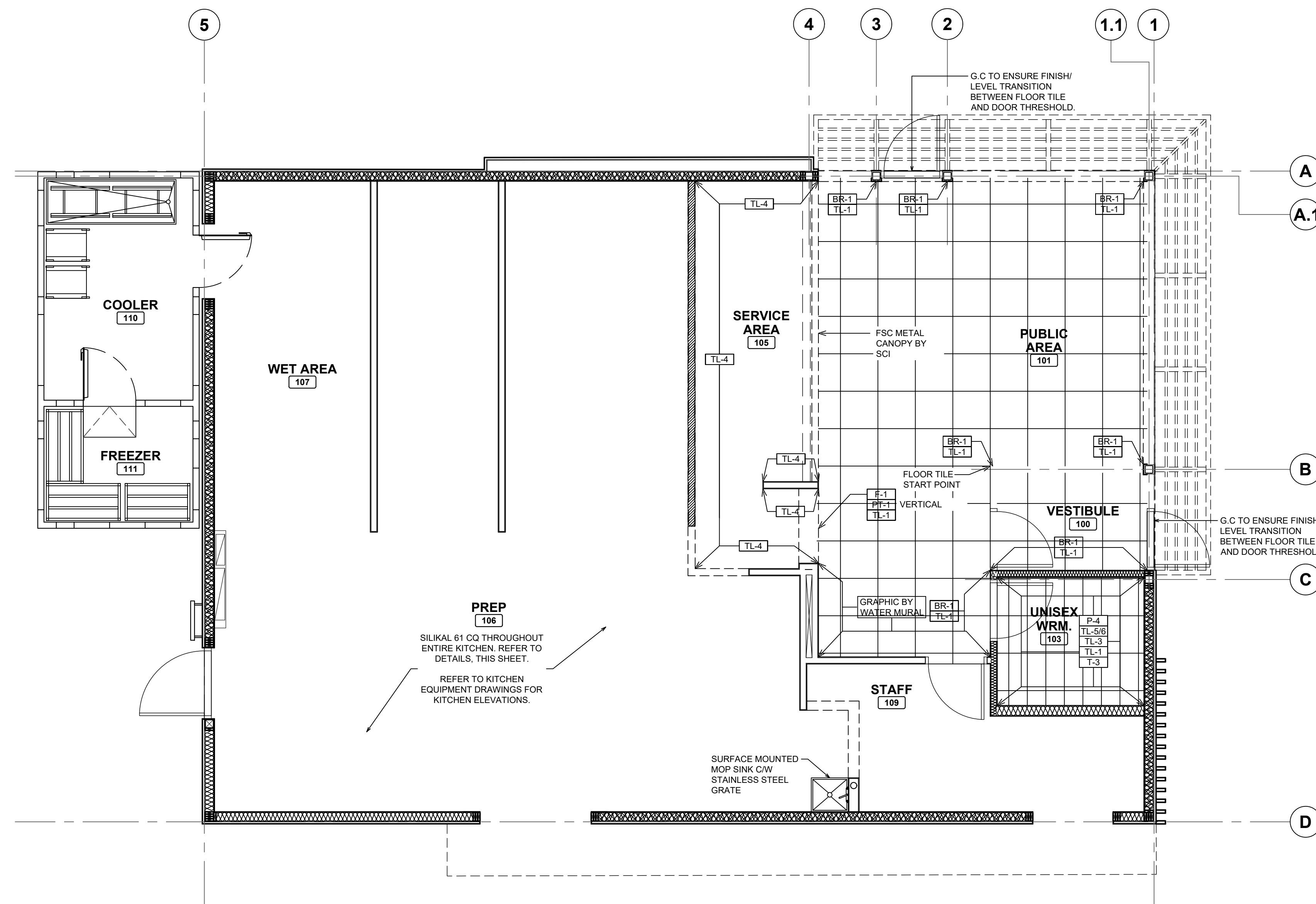


NOTES

- DIMENSIONS SHOWN ARE FROM FINISH FACE OF WALL/FLOOR.
- DIMENSION SHOWN ARE PREFERRED DIMENSIONS AND COMPLY WITH THE REQUIREMENTS OF A.D.A.A.G AND A.N.S.I. -A117.1 G.C SHALL NOT DEVIATE FROM THESE STANDARDS UNLESS NECESSARY TO COMPLY WITH ADDITIONAL STATE OR LOCAL ACCESSIBILITY REQUIREMENTS.
- REFER TO SPECIFICATIONS FOR ADDITIONAL INFORMATION G.C TO PROVIDE CLEAR CAULKING AT ALL WASHROOM FIXTURES AND TILE INTERSECTIONS.



POPEYES LOUISIANA KITCHEN MODEL 2112, 1517 NC 24-87, CAMERON, NC (JUNE 01, 2023) STORE NO. C22-129



1
A10
TILE PLAN
SCALE: 1/4"=1'-0"

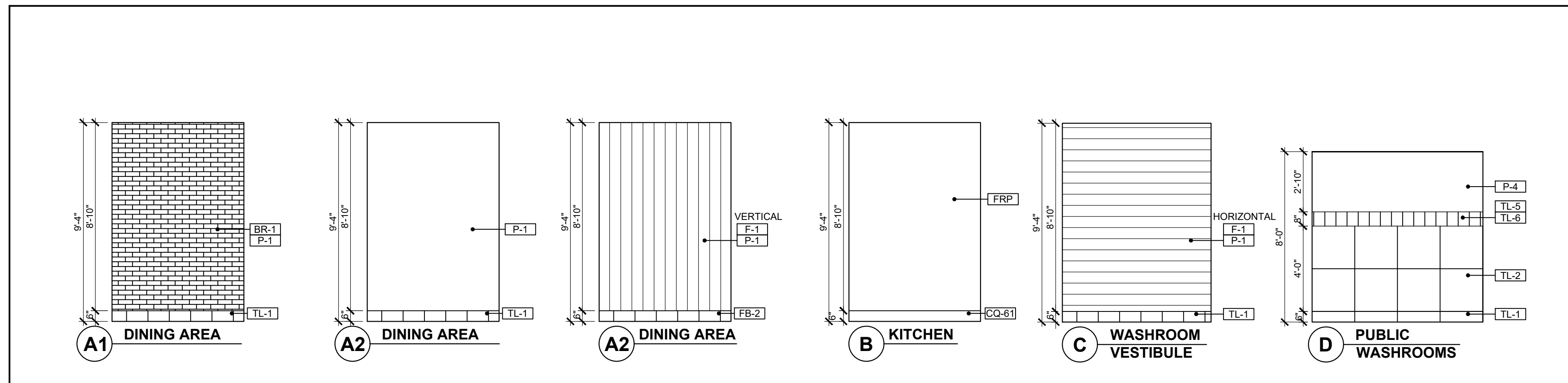
ROOM FINISH SCHEDULE

● SEE INTERIOR ELEVATIONS FOR LOCATION AND TYPE OF INTERIOR FINISHES.

NO.	ROOM NAME	FLOORS						WALLS										CEILINGS			HEIGHT			
		T-2	T-3	CQ-61	TL-1	CQ-61	BR-1	PT-1	PT-2	PT-3	F-1	TL-1	TL-2	TL-3	TL-4	TL-5	TL-6	P-1	WD-AC	FRP		P-1	ACT-1G	ACT-2G
100	VESTIBULE	●			●																●			9'-4"
101	PUBLIC AREA	●			●		●	●				●									●			9'-4"
103	UNISEX WASHROOM		●		●							●	●								●			8'-0"
105	SERVICE AREA			●	●								●								●			9'-4"
106	PREP			●	●															●			9'-4"	
107	WET AREA			●	●															●			9'-4"	
109	STAFF			●	●															●			9'-4"	
110	COOLER			●	●															●			9'-4"	

NOTES

- GENERAL CONTRACTOR TO PROVIDE MINIMUM 1 CASE OF EACH SET OF FLOOR TILES, WALL TILES & CEILING TILES AND 1 GALLON OF EACH PAINT COLOUR FOR FUTURE USE. THESE MATERIALS ARE TO BE LEFT ON SITE WITH THE RESTAURANT OWNER.
- PROVIDE & INSTALL SCHLUTER STRIP (SHL-2) AT OUTSIDE / WALL TILE CORNERS WITHIN SERVICE AREA.
- PROVIDE & INSTALL SCHLUTER STRIP (SHL-3) AT ALL FLOOR TILE TRANSITION THROUGH OUT THE ENTIRE STORE. REFER TO FINISHING SCHEDULE.
- PROVIDE & INSTALL SCHLUTER-DILEX-KSN AT LOCATION OF FLOOR TILE AT DELIVERY DOOR. REFER TO POPEYES MASTER SCHEDULE.
- GENERAL CONTRACTOR TO INSTALL BASE TILE FOR ALL FIXED BOOTH SEATING. G.C TO USE LATICRETE - LATAPOXY 300 ADHESIVE TO ADHERE BASE TILE TO BASE BOX BOOTH SEATING AND FOR USE WITH BASE TILE ON FRONT COUNTER. CONTACT: 1-800-243-4788 EXT. 235. WEBSITE: WWW.LATICRETE.COM
- COVE BASE TILES FOR MILLWORK CABINETS TO BE INSTALLED BY MILLWORK VENDOR.
- G.C. TO SEAL ALL MILLWORK / MILLWORK AND GWB / MILLWORK JOINTS WITH CLEAR SILICONE CAULKING AFTER COMPLETION OF PAINTING, WAINSCOTING AND FINAL CLEANING.
- ALL BUTT JOINTS IN THE MILLWORK (VERTICAL AND HORIZONTAL) WILL BE CAULKED WITH CLEAR SILICONE CAULKING BY MILLWORK COMPANY.



2
A10
TYPICAL INTERIOR ELEVATIONS
SCALE: 1/4"=1'-0"

ISSUE TABLE

No.	Date (mm/dd/yyyy)	Description

REVISIONS

No.	Date	Description
1	8/01/2023	RESPONSE TO CITY
2	9/04/2023	HEALTH COMMENTS
3	9/12/2023	RESPONSE TO CITY
4	9/12/2023	HEALTH COMMENTS

DRAWINGS REVISED AS PER DESIGN BULLETIN

No.	Date	Description



THIS DRAWING IS OWNED BY OR LICENSED FOR USE BY POPEYES LOUISIANA KITCHEN (OR ITS AFFILIATED OR RELATED COMPANIES) AND MAY NOT BE REPRODUCED, USED, DOWNLOADED, DISSEMINATED, PUBLISHED OR TRANSFERRED IN ANY FORM OR BY ANY MEANS, EXCEPT WITH THE PRIOR WRITTEN CONSENT OF POPEYES LOUISIANA KITCHEN. COPYRIGHT INFRINGEMENT IS A VIOLATION OF FEDERAL LAW SUBJECT TO CRIMINAL AND CIVIL PENALTIES.

THE CONTRACTOR IS TO VERIFY ALL DIMENSIONS AND CONDITIONS ON THE PROJECT AND TO REPORT ANY DISCREPANCIES TO THE POPEYES LOUISIANA KITCHEN REPRESENTATIVE PRIOR TO COMMENCING WORK. THESE DRAWINGS ARE NOT TO BE USED FOR CONSTRUCTION PURPOSES UNLESS INDICATED BY POPEYES LOUISIANA KITCHEN AS "ISSUED FOR CONSTRUCTION".



9.14.2023

Company Logo

ARCHITECTURE - CIVIL ENGINEERING - MEP ENGINEERING
10755 SANDHILL ROAD, DALLAS, TEXAS 75238
TEL: 214-343-9400 www.dimensiongrp.com

Project

POPEYES

Store Type
US 2112 PROTOTYPE
2112-21

Location
**1517 NC 24-87
CAMERON, NC**

Drawing Title
**TILE PLAN AND
FINISHING
SCHEDULE**

Drawn SH	Checked AL
Scale 1/4"=1'-0"	Date JUNE 2023
Project No. C22-129	Drawing No. A10

POPEYES LOUISIANA KITCHEN MODEL 2112, 1517 NC 24-87, CAMERON, NC (JUNE 01, 2023) STORE NO. C22-129

FINISHES



TAG	MATERIAL	APPLICATION	SOURCE	PRODUCT	COLOR	DIMENSION	REF IMAGE	IMAGE TYPE	VENDOR
EXTERIOR									
EF-1	Exterior Wood Siding	Front Facade Exterior Walls	Nichha Fiber Cement	Vintage Wood AMP 3030	Cedar	17-78" H x 119-5/16" L		Nola Makers	Matt Stephenson (507)799-8228 popeyes@nichha.com
BRICK									
EB-1	Brick (Clip System)	Front of Building	Nichha Fiber Cement	Vintage Brick	White Wash Profinished	7.38" x 2 1/2" x 3/4"		Nola Makers	Matt Stephenson (507)799-8228 popeyes@nichha.com
EB-2	Brick (Clip System)	Accent Tower Brick	Nichha Fiber Cement	Vintage Brick	Alexandria Buff	7.38" x 2 1/2" x 3/4"		Nola Makers	Matt Stephenson (507)799-8228 popeyes@nichha.com
EB-2	Thin Brick	Accent Tower Brick	Creative Materials Corporation	Thin Brick	Flagstaff	8-18" x 2-1/16" x 5/8"		Nola Makers	Creative Materials Corporation (817) 400-207-2667 ext. 7197 Popeyes@creativematerialscorp.com
EB-2	Face Brick	Accent Tower Brick	Glen-Gary	Cherry Creek Williamsburg	Red	8-5/8" x 2-13/16" x 3-1/8"		Nola Makers	
EB-2	Thin Brick	Accent Tower Brick	Design and Direct Source	Sand Urban Series	Flagstaff	2" x 8"		Nola Makers	
PAINT									
EP-1	Exterior Paint	Main Wall Surface, Rear Door	Benjamin Moore	Ultra Spec Ext Low Lustre (N455)	OC-125 Moonlight White			Nola Makers	Rodger Lippman (507) 445-702-0229 rodger.lippman@benjaminmoore.com
EP-1	Exterior Paint	Main Wall Surface, Rear Door	Sherwin Williams	A-100 Exterior Latex Satin	SW-7551 Greek Villa			Nola Makers	Glenn Ramer (507) 954-547-1217 glenn.ramer@sherwin.com
EP-2	Exterior Paint	Brick Tower Parapet	Benjamin Moore	Ultra Spec Ext Low Lustre (N455)	2105-20 Root Beer Candy			Nola Makers	Rodger Lippman (507) 445-702-0229 rodger.lippman@benjaminmoore.com

Exported on March 8, 2023 1:58:38 PM EST

Page 1 of 8

TAG	MATERIAL	APPLICATION	SOURCE	PRODUCT	COLOR	DIMENSION	REF IMAGE	IMAGE TYPE	VENDOR
EP-2	Exterior Paint	Brick Tower Parapet	Sherwin Williams	A-100 Exterior Latex Satin	SW-6062 Rugged Brown			Nola Makers	Glenn Ramer (507) 954-547-1217 glenn.ramer@sherwin.com
EP-3	Exterior Paint	Dumpster Walls	Benjamin Moore	Ultra Spec Ext Low Lustre (N455)	HC-170 Sterington Grey			Nola Makers	Rodger Lippman (507) 445-702-0229 rodger.lippman@benjaminmoore.com
EP-3	Exterior Paint	Dumpster Walls	Sherwin Williams	A-100 Exterior Latex Satin	SW-7057 Trench			Nola Makers	Glenn Ramer (507) 954-547-1217 glenn.ramer@sherwin.com
EP-4	Metal Paint	Bollards	Benjamin Moore	Corotech High Solids Rapid Dry Enamel	Safety Yellow			Nola Makers	Rodger Lippman (507) 445-702-0229 rodger.lippman@benjaminmoore.com
EP-4	Metal Paint	Bollards	Sherwin Williams	Industrial Enamel HS	Safety Yellow			Nola Makers	Glenn Ramer (507) 954-547-1217 glenn.ramer@sherwin.com
EP-5	Metal Paint	Dumpster Gates and Pylon Pole	Benjamin Moore	Corotech High Solids Rapid Dry Enamel	Factory Finish Black			Nola Makers	Rodger Lippman (507) 445-702-0229 rodger.lippman@benjaminmoore.com
EP-5	Metal Paint	Dumpster Gates and Pylon Pole	Sherwin Williams	Industrial Enamel HS	SW-6991 Black Magic			Nola Makers	Glenn Ramer (507) 954-547-1217 glenn.ramer@sherwin.com
EP-6	Anti Graffiti Coat	Exterior Walls	Benjamin Moore	Alphatec Acrylic Urethane - Glass	V500-00 Clear			Nola Makers	Rodger Lippman (507) 445-702-0229 rodger.lippman@benjaminmoore.com

Exported on March 8, 2023 1:58:38 PM EST

Page 2 of 8

ISSUE TABLE		
No.	Date (mm/dd/yy)	Description

REVISIONS		
No.	Date	Description
1	8/01/2023	RESPONSE TO CITY
2	9/04/2023	HEALTH COMMENTS
3	9/12/2023	RESPONSE TO CITY
4	9/12/2023	HEALTH COMMENTS

DRAWINGS REVISED AS PER DESIGN BULLETIN		
No.	Date	Description



PROJECT NORTH

THIS DRAWING IS OWNED BY OR LICENSED FOR USE BY POPEYES LOUISIANA KITCHEN (OR ITS AFFILIATED OR RELATED COMPANIES) AND MAY NOT BE REPRODUCED, USED, DOWNLOADED, DISSEMINATED, PUBLISHED, OR TRANSFERRED IN ANY FORM OR BY ANY MEANS, EXCEPT WITH THE PRIOR WRITTEN CONSENT OF POPEYES LOUISIANA KITCHEN. COPYRIGHT INFRINGEMENT IS A VIOLATION OF FEDERAL LAW SUBJECT TO CRIMINAL AND CIVIL PENALTIES.

THE CONTRACTOR IS TO VERIFY ALL DIMENSIONS AND CONDITIONS ON THE PROJECT AND TO REPORT ANY DISCREPANCIES TO THE POPEYES LOUISIANA KITCHEN REPRESENTATIVE PRIOR TO COMMENCING WORK. THESE DRAWINGS ARE NOT TO BE USED FOR CONSTRUCTION PURPOSES UNLESS INDICATED BY POPEYES LOUISIANA KITCHEN AS "ISSUED FOR CONSTRUCTION".



9.14.2023

Company Logo

THE DIMENSION GROUP
ARCHITECTURE-CIVIL ENGINEERING-MEP ENGINEERING
10755 SANDHILL ROAD, DALLAS, TEXAS 75238
TEL. 214-343-9400 www.dimensiongrp.com

Project

LOUISIANA KITCHEN

POPEYES

Store Type
US 2112 PROTOTYPE
2112-21

Location
1517 NC 24-87
CAMERON, NC

Drawing Title
FINISH SCHEDULE

Drawn	Checked
Scale AS NOTED	Date JUNE 2023
Project No. C22-129	Drawing No. A12.0

POPEYES LOUISIANA KITCHEN MODEL 2112, 1517 NC 24-87, CAMERON, NC (JUNE 01, 2023) STORE NO. C22-129

TAG	MATERIAL	APPLICATION	SOURCE	PRODUCT	COLOR	DIMENSION	REF IMAGE	IMAGE TYPE	VENDOR
EP-6	Anti Graffiti Coat	Exterior Walls	Sherwin Williams	2K Water Based Urethane - Gloss	B65-190/665V190			Nola Makers	Glenn Ramsey (t) 489-560-6133 glenn.j.ramsey@sherinw.com
MISC									
C-1	Canopy - Metal	Drive Thru Window Canopy	Provided by Manufacturer	Provided by Manufacturer	Orange, Pantone #3564 C			Nola Makers	Provided by Manufacturer
C-2	Canopy - Metal	Building Canopies	Provided by Manufacturer	Provided by Manufacturer	Teal, Pantone #326 C			Nola Makers	Provided by Manufacturer
S-1	Shutters - Poppy	Exterior Walls Rear of Building	Provided by Manufacturer	Provided by Manufacturer	Provided by Manufacturer			Nola Makers	Provided by Manufacturer
DP-1	Door	Main Entrance Doors	Provided by Manufacturer	Provided by Manufacturer	Orange, Pantone #3564 C			Nola Makers	Provided by Manufacturer
INTERIOR									
CEILING									
NOTE: Armstrong products can now be									
ACT-1G	Acoustic Ceiling Tile	Dining Room	Armstrong	Ultima	Color: White Finish: Fine Texture Grid: 9"X9" Beveled Regular	24x48"		Nola Makers	Cheryl S. Smith (t) 252-214-4428 csmith@armstrongceilings.com
ACT-2G	Acoustic Ceiling Tile	Back of House	GCUSG Interiors	Sheetrock Bland Climaplus Vinyl	Color: 3270 White Finish: Smooth	24X48X1/2		Nola Makers	Cheryl S. Smith (t) 252-214-4428 csmith@armstrongceilings.com
FLOORING									
TL-1	Base Tile	Wall Base	Creative Materials Corporation	Business - Slate 2.0	Color: Matte, Grout: Ultracolor Plus Iron #107	6X24, Thickness: 10.5mm		Nola Makers	Creative Materials Corporation (t) 1-800-207-2967 Ext. 7797 Poppeyette@creativematerialscorp.com
TL-1	Base Tile	Wall Base	Daltile		Color: Ash Grey, Grout: Maipel Iron #107	6X24		Nola Makers	Alexandra Stefan (t) 305-477-8216 (t) 305-875-0959 E-Mail: Alexandra.stefan@daltile.com
TL-1	Base Tile	Wall Base	Emser Tile	Louisiana	Color: Slate Elevate, Grout: Latitecote Dusty Grey	6X24		Nola Makers	Christina Dunbar / Sandra Torres Holland (t) 713-462-2411 poppeye@emser.com

Exported on March 8, 2023 1:58:38 PM EST

Page 3 of 8

TAG	MATERIAL	APPLICATION	SOURCE	PRODUCT	COLOR	DIMENSION	REF IMAGE	IMAGE TYPE	VENDOR
TL-1	Base Tile	Wall Base	Bedrosian Tile	Moderna	Color: Grey, Grout: Latitecote Dusty Grey	6X24		Nola Makers	Tamara Ramsey (t) 489-560-6133 poppeye@bedrosians.com
TL-2	Tile	Dining Room Floor and Restroom Walls	Creative Materials Corporation	Business - Slate 2.0	Finish: Natural/Cleffed Body Porcelain Glazed Color Body Grout Color: Ultracolor Plus Iron #107	24X24, Thickness: 10.5mm		Nola Makers	Creative Materials Corporation (t) 1-800-207-2967 Ext. 7797 Poppeyette@creativematerialscorp.com
TL-2	Tile	Dining Room Floor and Restroom Walls	Daltile		Color: Ash Grey, Grout: Maipel Iron #107	24X24		Nola Makers	Alexandra Stefan (t) 305-477-8216 (t) 305-875-0959 E-Mail: Alexandra.stefan@daltile.com
TL-2	Tile	Dining Room Floor and Restroom Walls	Emser Tile	Louisiana	Color: Slate Elevate, Grout: Latitecote Dusty Grey	24X24		Nola Makers	Christina Dunbar / Sandra Torres Holland (t) 713-462-2411 poppeye@emser.com
TL-2	Tile	Dining Room Floor and Restroom Walls	Bedrosian Tile	Moderna	Color: Grey, Grout: Latitecote Dusty Grey	24X24		Nola Makers	Tamara Ramsey (t) 489-560-6133 poppeye@bedrosians.com
TL-3	Tile	Restroom Floor Tile	Creative Materials Corporation	Business - Slate 2.0	Finish: Natural/Cleffed Body Porcelain Glazed Color Body Grout Color: Ultracolor Plus Iron #107	12X24, Thickness: 10.5mm		Nola Makers	Creative Materials Corporation (t) 1-800-207-2967 Ext. 7797 Poppeyette@creativematerialscorp.com
TL-3	Tile	Restroom Floor Tile	Daltile		Color: Ash Grey, Grout: Maipel Iron #107	12X24		Nola Makers	Alexandra Stefan (t) 305-477-8216 (t) 305-875-0959 E-Mail: Alexandra.stefan@daltile.com
TL-3	Tile	Restroom Floor Tile	Emser Tile	Louisiana	Color: Slate Elevate, Grout: Latitecote Dusty Grey	12X24		Nola Makers	Christina Dunbar / Sandra Torres Holland (t) 713-462-2411 poppeye@emser.com
TL-3	Tile	Restroom Floor Tile	Bedrosian Tile	Moderna	Color: Grey, Grout: Latitecote Dusty Grey	12X24		Nola Makers	Tamara Ramsey (t) 489-560-6133 poppeye@bedrosians.com
TL-4									

Exported on March 8, 2023 1:58:38 PM EST

Page 4 of 8

ISSUE TABLE		
No.	Date (mm/dd/yy)	Description

REVISIONS		
No.	Date	Description
1	8/01/2023	RESPONSE TO CITY
2	9/04/2023	HEALTH COMMENTS
3	9/12/2023	RESPONSE TO CITY
4	9/12/2023	HEALTH COMMENTS

DRAWINGS REVISED AS PER DESIGN BULLETIN		
No.	Date	Description



THIS DRAWING IS OWNED BY OR LICENSED FOR USE BY POPEYES LOUISIANA KITCHEN (OR ITS AFFILIATED OR RELATED COMPANIES) AND MAY NOT BE REPRODUCED, USED, DOWNLOADED, DISSEMINATED, PUBLISHED, OR TRANSFERRED IN ANY FORM OR BY ANY MEANS, EXCEPT WITH THE PRIOR WRITTEN CONSENT OF POPEYES LOUISIANA KITCHEN. COPYRIGHT INFRINGEMENT IS A VIOLATION OF FEDERAL LAW SUBJECT TO CRIMINAL AND CIVIL PENALTIES.

THE CONTRACTOR IS TO VERIFY ALL DIMENSIONS AND CONDITIONS ON THE PROJECT AND TO REPORT ANY DISCREPANCIES TO THE POPEYES LOUISIANA KITCHEN REPRESENTATIVE PRIOR TO COMMENCING WORK. THESE DRAWINGS ARE NOT TO BE USED FOR CONSTRUCTION PURPOSES UNLESS INDICATED BY POPEYES LOUISIANA KITCHEN AS "ISSUED FOR CONSTRUCTION".



9.14.2023

Company Logo

THE DIMENSION GROUP
ARCHITECTURE-CIVIL ENGINEERING-MEP ENGINEERING
10755 SANDHILL ROAD, DALLAS, TEXAS 75238
TEL. 214-343-9400 www.dimensiongrp.com

Project

POPEYES

Store Type
**US 2112 PROTOTYPE
2112-21**

Location
**1517 NC 24-87
CAMERON, NC**

Drawing Title
FINISH SCHEDULE

Drawn	Checked
Scale AS NOTED	Date JUNE 2023
Project No. C22-129	Drawing No. A12.1

POPEYES LOUISIANA KITCHEN MODEL 2112, 1517 NC 24-87, CAMERON, NC (JUNE 01, 2023) STORE NO. C22-129

TAG	MATERIAL	APPLICATION	SOURCE	PRODUCT	COLOR	DIMENSION	REF IMAGE	IMAGE TYPE	VENDOR
TL-4	Wall Tile	Front Service Counter Walls	Creative Materials Corporation	Subway Tile / Painted Brick	Color: Densi - White Ice Finish: Matte Grout Color: Ultracolor Plus Rain #101	3"x12", Thickness: 6 mm.			Nola Makers Creative Materials Corporation (t) 1-800-207-2987 Ext. 7797 Poppeyette@creativematerialscorp.com
TL-4	Wall Tile	Front Service Counter Walls	Daltile	National Account	Color: Color Wheel N24 White Grout: Maple Rain #101	3" x 12"			Alexandra Stefan (t) 305-477-8216 (c) 305-975-0989 E-Mail: Alexandra.stefan@daltile.com
TL-4	Wall Tile	Front Service Counter Walls	Emser Tile	Catch	Color: Ice Grout: Latcrete Smoke Grey	3" x 12"			Christina Dunbar / Sandra Torres Holland (t) 713-462-2411 poppey@emser.com
TL-4	Wall Tile	Front Service Counter Walls	Bedrosian Tile	Traditions	Color: White Grout: Latcrete Smoke Grey	3" x 12"			Tamara Ramsey (t) 409-560-6153 poppey@bedrosians.com
TL-5	Wall Tile	Restroom Accent Band - Blank Spaces	Creative Materials Corporation	Boon and Bearing	Color: White Finish: Matte Grout Color: Poppey's Custom Color	4.25"x8.5"			Creative Materials Corporation (t) 1-800-207-2987 Ext. 7797 Poppeyette@creativematerialscorp.com
TL-5	Wall Tile	Restroom Accent Band - Blank Spaces	Daltile		Color: Arctic White 0790 Finish: Matte Grout Color: Poppey's Custom Color	4x8			Alexandra Stefan (t) 305-477-8216 (c) 305-975-0989 E-Mail: Alexandra.stefan@daltile.com
TL-5	Wall Tile	Restroom Accent Band - Blank Spaces	Emser Tile	Select	Color: White Finish: Matte Grout Color: Poppey's Custom Color	4x8			Christina Dunbar / Sandra Torres Holland (t) 713-462-2411 poppey@emser.com
TL-5	Wall Tile	Restroom Accent Band - Blank Spaces	Bedrosian Tile						Tamara Ramsey (t) 409-560-6153 poppey@bedrosians.com
TL-6	Wall Tile	Restroom Accent Band - Teal Letters	Creative Materials Corporation	Custom Poppey's Letter Logo Tile Sets	Color: White Finish: Matte Lettering Font: Chicken Sans Grout And Letters To Match Color: BM OC-669 "Oceanic Teal"	4.25"x8.5"			Creative Materials Corporation (t) 1-800-207-2987 Ext. 7797 Poppeyette@creativematerialscorp.com
TL-6	Wall Tile	Restroom Accent Band - Teal Letters	Daltile						Alexandra Stefan (t) 305-477-8216 (c) 305-975-0989 E-Mail: Alexandra.stefan@daltile.com
TL-6	Wall Tile	Restroom Accent Band - Teal Letters	Emser Tile	Select	Color: White Finish: Matte Lettering Font: Chicken Sans Grout And Letters To Match Color: BM OC-669 "Oceanic Teal"	4x8			Christina Dunbar / Sandra Torres Holland (t) 713-462-2411 poppey@emser.com
TL-6	Wall Tile	Restroom Accent Band - Teal Letters	Bedrosian Tile						Tamara Ramsey (t) 409-560-6153 poppey@bedrosians.com
QT-1									

TAG	MATERIAL	APPLICATION	SOURCE	PRODUCT	COLOR	DIMENSION	REF IMAGE	IMAGE TYPE	VENDOR
QT-1	Alternate: Quarry Tile	Back of House Floors	Creative Materials Corporation	Quarry Tile	Color: Grey Finish: Smooth To Be Used With Matching Epoxy Grout	6x6			Creative Materials Corporation (t) 1-800-207-2987 Ext. 7797 Poppeyette@creativematerialscorp.com
QT-1	Alternate: Quarry Tile	Back of House Floors	Daltile		Color: OT03 Ashen Gray	6x6			Alexandra Stefan (t) 305-477-8216 (c) 305-975-0989 E-Mail: Alexandra.stefan@daltile.com
QT-1	Alternate: Quarry Tile	Back of House Floors	Emser Tile	E-Quarry	Color: Smoke Finish: Smooth Grout: Latcrete Sandstone	6x6			Christina Dunbar / Sandra Torres Holland (t) 713-462-2411 poppey@emser.com
QT-1	Alternate: Quarry Tile	Back of House Floors	Bedrosian Tile	Mason	Color: Morning Fog Grout: Latcrete Sandstone	6x6			Tamara Ramsey (t) 409-560-6153 poppey@bedrosians.com
QT-2	Alternate: Quarry Tile Base	Back of House Base	Creative Materials Corporation	Quarry Tile	Color: Grey Finish: Smooth To Be Used With Matching Epoxy Grout	6x6			Creative Materials Corporation (t) 1-800-207-2987 Ext. 7797 Poppeyette@creativematerialscorp.com
QT-2	Alternate: Quarry Tile Base	Back of House Base	Daltile		Color: OT03 Ashen Gray	6x6			Alexandra Stefan (t) 305-477-8216 (c) 305-975-0989 E-Mail: Alexandra.stefan@daltile.com
QT-2	Alternate: Quarry Tile Base	Back of House Base	Emser Tile	E-Quarry	Color: Smoke Finish: Smooth Grout: Latcrete Sandstone	6x6			Christina Dunbar / Sandra Torres Holland (t) 713-462-2411 poppey@emser.com
QT-2	Alternate: Quarry Tile Base	Back of House Base	Bedrosian Tile	Mason	Color: Morning Fog Grout: Latcrete Sandstone	6x6			Tamara Ramsey (t) 409-560-6153 poppey@bedrosians.com
E-1	Primary: Resin Flooring	Back of House Floors	Sikal	Acrylic Resin	Color: Quartz Blend #4 Integral Core Base				Mark Helms (t) 772-772-2797 (c) 772-320-1426 mhelms@silikalamerica.com
BR-1	Brick (Clip System)	Dining Room Accent Walls	Nolitha Fiber Cement	Vintage Brick	White Wash Prefinished	7.38" x 2.12" x 3.4"			Matt Stephenson (t) 707-789-8229 poppey@mattst.com
PT-1	Interior Paint	Interory Walls, Beadboard, Brick Walls And Soffit/Ceiling	Benjamin Moore	Ultra Spec 500 Eggshell	OC-068 Distant Gray				Rodger Lippman (t) 666-703-0229 rodger.lippman@benjaminmoore.com

ISSUE TABLE		
No.	Date (mm/dd/yy)	Description

REVISIONS		
No.	Date	Description
1	8/01/2023	RESPONSE TO CITY
2	9/04/2023	HEALTH COMMENTS
3	9/12/2023	RESPONSE TO CITY
4	9/12/2023	HEALTH COMMENTS

DRAWINGS REVISED AS PER DESIGN BULLETIN		
No.	Date	Description



THIS DRAWING IS OWNED BY OR LICENSED FOR USE BY POPEYES LOUISIANA KITCHEN (OR ITS AFFILIATED OR RELATED COMPANIES) AND MAY NOT BE REPRODUCED, USED, DOWNLOADED, DISSEMINATED, PUBLISHED, OR TRANSFERRED IN ANY FORM OR BY ANY MEANS, EXCEPT WITH THE PRIOR WRITTEN CONSENT OF POPEYES LOUISIANA KITCHEN. COPYRIGHT INFRINGEMENT IS A VIOLATION OF FEDERAL LAW SUBJECT TO CRIMINAL AND CIVIL PENALTIES.

THE CONTRACTOR IS TO VERIFY ALL DIMENSIONS AND CONDITIONS ON THE PROJECT AND TO REPORT ANY DISCREPANCIES TO THE POPEYES LOUISIANA KITCHEN REPRESENTATIVE PRIOR TO COMMENCING WORK. THESE DRAWINGS ARE NOT TO BE USED FOR CONSTRUCTION PURPOSES UNLESS INDICATED BY POPEYES LOUISIANA KITCHEN AS "ISSUED FOR CONSTRUCTION".



9.14.2023

Company Logo

Project

POPEYES

Store Type
US 2112 PROTOTYPE
2112-21

Location
1517 NC 24-87
CAMERON, NC

Drawing Title
FINISH SCHEDULE

Drawn	Checked
Scale AS NOTED	Date JUNE 2023
Project No. C22-129	Drawing No. A12.2

POPEYES LOUISIANA KITCHEN MODEL 2112, 1517 NC 24-87, CAMERON, NC (JUNE 01, 2023) STORE NO. C22-129

TAG	MATERIAL	APPLICATION	SOURCE	PRODUCT	COLOR	DIMENSION	REF IMAGE	IMAGE TYPE	VENDOR
PT-1	Interior Paint	Interior Walls, Beadboard, Brick Walls And Ceiling	Sherwin Williams	Promar 200 Zero VOC Eggshell	SW-7551 Greek Villa			Nola Makers	Glenn Ramler (31) 954-547-1217 glenn.j.ramler@sherwin.com
PT-2	Metal Paint	Main Entrance Doors - Interior Frame	Benjamin Moore	Concert High Solids Rapid Dry Enamel	2133-20 Black Jack			Nola Makers	Rodger Lippman (31) 449-702-0239 rodger.lippman@benjaminmoore.com
PT-2	Metal Paint	Main Entrance Doors - Interior Frame	Sherwin Williams	Industrial Enamel HS	SW-6991 Black Magic			Nola Makers	Glenn Ramler (31) 954-547-1217 glenn.j.ramler@sherwin.com
PT-3	Interior Paint	Orange Brick Accent Wall	Benjamin Moore	Ultra Spec 500 Eggshell	091 Tangerine Melt			Nola Makers	Rodger Lippman (31) 449-702-0239 rodger.lippman@benjaminmoore.com
PT-3	Interior Paint	Orange Brick Accent Wall	Sherwin Williams	Promar 200 Zero VOC Eggshell	SW-6886 Invigorate			Nola Makers	Glenn Ramler (31) 954-547-1217 glenn.j.ramler@sherwin.com
PT-4	Interior Paint	Restroom Walls	Benjamin Moore	Ultra Spec 500 Eggshell	OC-669 Oceanic Teal			Nola Makers	Rodger Lippman (31) 449-702-0239 rodger.lippman@benjaminmoore.com
PT-4	Interior Paint	Restroom Walls	Sherwin Williams	Promar 200 Zero VOC Eggshell	SW-0075 Holiday Turquoise			Nola Makers	Glenn Ramler (31) 954-547-1217 glenn.j.ramler@sherwin.com

TAG	MATERIAL	APPLICATION	SOURCE	PRODUCT	COLOR	DIMENSION	REF IMAGE	IMAGE TYPE	VENDOR
PT-5	Interior Paint	Restroom Door Frame	Benjamin Moore	Ultra Spec 500 Eggshell	1127 Sedona Brown			Nola Makers	Rodger Lippman (31) 449-702-0239 rodger.lippman@benjaminmoore.com
PT-5	Interior Paint	Restroom Door Frame	Sherwin Williams	Promar 200 Zero VOC Eggshell	SW-6103 Tea Chest			Nola Makers	Glenn Ramler (31) 954-547-1217 glenn.j.ramler@sherwin.com
MSC	Beadboard	Restroom Vestibule Accent Walls	GC	Beadboard Paneling	Painted PT-1	4" - Channel Bead 1/8" X 1/8"		Nola Makers	GC
WT-1	Wall Tile	Dining Room Accent Walls	Creative Materials Corporation	Motivate	Color: Walnut Finish: Natural	8"X40" 3MM		Nola Makers	Creative Materials Corporation (81) 830-207-2887 Ext. 7797 Popeyed@creativematerials.com
L-1	Restroom Door Faces	Interior Door Laminates	GC	Laminates	Mocha Modern Cherry - WAGSEV			Nola Makers	GC
L-1	Restroom Door Faces	Interior Door Laminates	Sherwin Williams	Stain Minwax	439 Walnut			Nola Makers	Glenn Ramler (31) 954-547-1217 glenn.j.ramler@sherwin.com
SS-1	Solid Surface	Front Service Counter Top	Provided by Decor Vendor	H-MACS	G554 Urban Concrete			Nola Makers	Decor Vendor
SS-2	Solid Surface	Front of House Window Sills	GC	H-MACS	G554 Urban Concrete			Nola Makers	GC
W-1	FRP Sheet	Back of House Walls	Marite	FRP Sheet	Color: P100 - White Finish: Pebble			Nola Makers	

ISSUE TABLE		
No.	Date (mm/dd/yy)	Description

REVISIONS		
No.	Date	Description
1	8/01/2023	RESPONSE TO CITY
2	9/04/2023	HEALTH COMMENTS
3	9/12/2023	RESPONSE TO CITY
4	9/12/2023	HEALTH COMMENTS

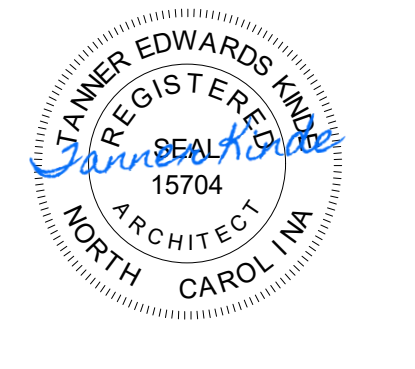
DRAWINGS REVISED AS PER DESIGN BULLETIN		
No.	Date	Description



PROJECT NORTH

THIS DRAWING IS OWNED BY OR LICENSED FOR USE BY POPEYES LOUISIANA KITCHEN (OR ITS AFFILIATED OR RELATED COMPANIES) AND MAY NOT BE REPRODUCED, USED, DOWNLOADED, DISSEMINATED, PUBLISHED, OR TRANSFERRED IN ANY FORM OR BY ANY MEANS, EXCEPT WITH THE PRIOR WRITTEN CONSENT OF POPEYES LOUISIANA KITCHEN. COPYRIGHT INFRINGEMENT IS A VIOLATION OF FEDERAL LAW SUBJECT TO CRIMINAL AND CIVIL PENALTIES.

THE CONTRACTOR IS TO VERIFY ALL DIMENSIONS AND CONDITIONS ON THE PROJECT AND TO REPORT ANY DISCREPANCIES TO THE POPEYES LOUISIANA KITCHEN REPRESENTATIVE PRIOR TO COMMENCING WORK. THESE DRAWINGS ARE NOT TO BE USED FOR CONSTRUCTION PURPOSES UNLESS INDICATED BY POPEYES LOUISIANA KITCHEN AS "ISSUED FOR CONSTRUCTION".



9.14.2023

Company Logo

Project

POPEYES

Store Type
US 2112 PROTOTYPE
2112-21

Location
1517 NC 24-87
CAMERON, NC

Drawing Title
FINISH SCHEDULE

Drawn	Checked
Scale AS NOTED	Date JUNE 2023
Project No. C22-129	Drawing No. A12.3

POPEYES LOUISIANA KITCHEN MODEL 2112, 1517 NC 24-87, CAMERON, NC (JUNE 01, 2023) STORE NO. C22-129

PROJECT SPECIFICATIONS

DIVISION 01 - GENERAL REQUIREMENTS

DIVISION 02 - EXISTING CONDITIONS (NOT INCLUDED)

DIVISION 03 - CONCRETE

DIVISION 04 - MASONRY

DIVISION 05 - METALS

DIVISION 06 - WOOD, PLASTICS AND COMPOSITES

DIVISION 07 - THERMAL AND MOISTURE PROTECTION

DIVISION 08 - OPENINGS

DIVISION 09 - FINISHES

DIVISION 10 - SPECIALTIES

DIVISION 12 - WINDOW TREATMENTS

DIVISION 22 - PLUMBING

DIVISION 23 - HEATING, VENTILATING AND AIR CONDITIONING (HVAC)

DIVISION 26 - ELECTRICAL

APPROVED SUPPLIERS LIST

BIDDING REQUIREMENTS, INSTRUCTIONS TO BIDDERS

EXAMINATION OF SITE: ALL BIDDERS SUBMITTING PROPOSALS FOR THIS WORK SHALL FIRST EXAMINE THE SITE (PREMISES) AND ALL SUCH CONDITIONS AS MAY AFFECT THE WORK UNDER THIS CONTRACT. FAILURE TO EXAMINE THE SITE WILL NOT RELIEVE THE SUCCESSFUL BIDDER FROM THE NECESSITY TO PROVIDE WORK THAT MAY BE REQUIRED TO COMPLETE THE WORK WITHOUT ADDITIONAL COST TO THE OWNER.

GENERAL CONDITIONS: THE "GENERAL CONDITIONS OF THE CONTRACT FOR CONSTRUCTION", STANDARD FORM-A OF THE AMERICAN INSTITUTE OF ARCHITECTS, FORM-A-201, LATEST EDITION, ARE HEREBY ACCEPTED AS THE SAME MAY BE INCONSISTENT HEREWITH, MAKE A PART OF THIS SPECIFICATION, COPIES TO BE OBTAINED AND ARE INCORPORATED BY REFERENCE AND HEREBY MADE A PART OF THE CONTRACT.

GENERAL: WHERE ANY ARTICLE OF THE "GENERAL CONDITIONS" IS SUPPLEMENTED HEREBY THE AIA PROVISION OF SUCH ARTICLE SHALL REMAIN IN EFFECT. ALL SUPPLEMENTARY CONDITIONS SHALL BE AMENDED, VOIDED OR SPECIFICALLY AMENDED, VOIDED, OR SUPERSEDED SHALL REMAIN IN EFFECT.

ARTICLE 1 - CONTRACT: ARTICLE 3 LABOR AND MATERIALS OF SAID "GENERAL CONDITION" PARAGRAPH 4.1 IS HEREBY AMENDED AND SUPPLEMENTED AS FOLLOWS: "THE CONTRACTOR SHALL PAY FOR ALL TAXES NECESSARY FOR THE PROPER EXECUTION AND COMPLETION OF THE WORK, BOTH TEMPORARY AND PERMANENT."

ARTICLE 2 - CONTRACTOR: ARTICLE 3 LABOR AND MATERIALS OF SAID "GENERAL CONDITION" PARAGRAPH 4.1 IS HEREBY AMENDED AND SUPPLEMENTED AS FOLLOWS: "ALL CONTRACTORS AND SUBCONTRACTORS EMPLOYED UPON THE WORK SHALL BE REQUIRED TO COMPLY WITH ALL FEDERAL, STATE, AND LOCAL LABOR LAWS AND VARIOUS ACTS AMENDATORY AND SUPPLEMENTARY THERETO AND TO ALL OTHER LAWS, ORDINANCES, AND LEGAL REQUIREMENTS APPLICABLE THERETO."

ARTICLE 3 - CLEANING UP OF SAID "GENERAL CONDITIONS" PARAGRAPH 4.1 IS HEREBY AMENDED AND ADDED AS FOLLOWS: "THE CONTRACTOR SHALL PAY FOR ALL TAXES NECESSARY FOR THE PROPER EXECUTION AND COMPLETION OF THE WORK, BOTH TEMPORARY AND PERMANENT."

ARTICLE 4 - INSURANCE: ARTICLE 11.1 CONTRACTOR'S LIABILITY INSURANCE OF SAID "GENERAL CONDITIONS" IS HEREBY MODIFIED AS FOLLOWS: "INSURANCE, COMPREHENSIVE, AUTOMOBILE, UMBRELLA LIABILITY CERTIFICATES OF INSURANCE FROM CARRIERS APPROVED BY THE OWNER SHALL BE FILED IN NOT LESS THAN THE FOLLOWING AMOUNTS OR GREATER AMOUNTS AS REQUIRED BY LAW PRIOR TO COMMENCEMENT OF THE WORK:

1. WORKMEN'S COMPENSATION AS REQUIRED BY LAW IN APPLICABLE STATE.
2. COMPREHENSIVE GENERAL LIABILITY (A) \$1,000,000 PER OCCURRENCE COMBINED-SINGLE LIMIT (B) \$2,000,000 AGGREGATE.
3. OWNED AND NON-OWNED AUTOMOBILE LIABILITY.
4. EXCESS (UMBRELLA) LIABILITY: \$2,000,000 PER OCCURRENCE. INSURANCE POLICIES AND CERTIFICATES FOR WORK PERFORMED FOR AFCE SHALL SHOW THE OWNER AS AN ADDITIONAL NAMED INSURED PARTY. THEY MUST ALSO STATE THAT THE COVERAGE AFFORDED UNDER THE POLICIES SHALL NOT BE CANCELLED WITHOUT THIRTY (30) DAYS' PRIOR NOTICE TO THE OWNERS AS EVIDENCED BY THE RETURN RECEIPT OF A REGISTERED LETTER AND BE IN FULL FORCE FOR 3 YEARS FOLLOWING COMPLETION OF THE WORK OR TERMINATION OF THIS CONTRACT.

DIVISION 01 - GENERAL REQUIREMENTS

DIVISION 02 - SITE WORK

DIVISION 03 - CONCRETE

DIVISION 04 - MASONRY

DIVISION 05 - METALS

DIVISION 06 - WOOD, PLASTICS AND COMPOSITES

DIVISION 07 - THERMAL AND MOISTURE PROTECTION

DIVISION 08 - OPENINGS

DIVISION 09 - FINISHES

DIVISION 10 - SPECIALTIES

DIVISION 12 - WINDOW TREATMENTS

DIVISION 22 - PLUMBING

DIVISION 23 - HEATING, VENTILATING AND AIR CONDITIONING (HVAC)

DIVISION 26 - ELECTRICAL

APPROVED SUPPLIERS LIST

DIVISION 01 - GENERAL REQUIREMENTS

DIVISION 02 - SITE WORK

DIVISION 03 - CONCRETE

DIVISION 04 - MASONRY

DIVISION 05 - METALS

DIVISION 06 - WOOD, PLASTICS AND COMPOSITES

DIVISION 07 - THERMAL AND MOISTURE PROTECTION

DIVISION 08 - OPENINGS

DIVISION 09 - FINISHES

DIVISION 10 - SPECIALTIES

DIVISION 12 - WINDOW TREATMENTS

DIVISION 22 - PLUMBING

DIVISION 23 - HEATING, VENTILATING AND AIR CONDITIONING (HVAC)

DIVISION 26 - ELECTRICAL

APPROVED SUPPLIERS LIST

DIVISION 01 - GENERAL REQUIREMENTS

DIVISION 02 - SITE WORK

DIVISION 03 - CONCRETE

DIVISION 04 - MASONRY

DIVISION 05 - METALS

DIVISION 06 - WOOD, PLASTICS AND COMPOSITES

DIVISION 07 - THERMAL AND MOISTURE PROTECTION

DIVISION 08 - OPENINGS

DIVISION 09 - FINISHES

DIVISION 10 - SPECIALTIES

DIVISION 12 - WINDOW TREATMENTS

DIVISION 22 - PLUMBING

DIVISION 23 - HEATING, VENTILATING AND AIR CONDITIONING (HVAC)

DIVISION 26 - ELECTRICAL

APPROVED SUPPLIERS LIST

DIVISION 01 - GENERAL REQUIREMENTS

DIVISION 02 - SITE WORK

DIVISION 03 - CONCRETE

DIVISION 04 - MASONRY

DIVISION 05 - METALS

DIVISION 06 - WOOD, PLASTICS AND COMPOSITES

DIVISION 07 - THERMAL AND MOISTURE PROTECTION

DIVISION 08 - OPENINGS

DIVISION 09 - FINISHES

DIVISION 10 - SPECIALTIES

DIVISION 12 - WINDOW TREATMENTS

DIVISION 22 - PLUMBING

DIVISION 23 - HEATING, VENTILATING AND AIR CONDITIONING (HVAC)

DIVISION 26 - ELECTRICAL

APPROVED SUPPLIERS LIST

DIVISION 01 - GENERAL REQUIREMENTS

DIVISION 02 - SITE WORK

DIVISION 03 - CONCRETE

DIVISION 04 - MASONRY

DIVISION 05 - METALS

DIVISION 06 - WOOD, PLASTICS AND COMPOSITES

DIVISION 07 - THERMAL AND MOISTURE PROTECTION

DIVISION 08 - OPENINGS

DIVISION 09 - FINISHES

DIVISION 10 - SPECIALTIES

DIVISION 12 - WINDOW TREATMENTS

DIVISION 22 - PLUMBING

DIVISION 23 - HEATING, VENTILATING AND AIR CONDITIONING (HVAC)

DIVISION 26 - ELECTRICAL

APPROVED SUPPLIERS LIST

DIVISION 01 - GENERAL REQUIREMENTS

DIVISION 02 - SITE WORK

DIVISION 03 - CONCRETE

DIVISION 04 - MASONRY

DIVISION 05 - METALS

DIVISION 06 - WOOD, PLASTICS AND COMPOSITES

DIVISION 07 - THERMAL AND MOISTURE PROTECTION

DIVISION 08 - OPENINGS

DIVISION 09 - FINISHES

DIVISION 10 - SPECIALTIES

DIVISION 12 - WINDOW TREATMENTS

DIVISION 22 - PLUMBING

DIVISION 23 - HEATING, VENTILATING AND AIR CONDITIONING (HVAC)

DIVISION 26 - ELECTRICAL

APPROVED SUPPLIERS LIST

ISSUE TABLE

Table with 3 columns: No., Date (mm/dd/yy), Description. Includes entries for Revisions and Drawings Revised as per Design Bulletin.

DRAWINGS REVISED AS PER DESIGN BULLETIN

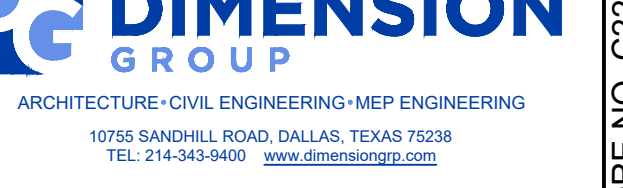
Table with 3 columns: No., Date, Description. Lists drawing revisions with dates and descriptions.

THIS DRAWING IS OWNED BY OR LICENSED FOR USE BY POPEYES LOUISIANA KITCHEN OR ITS AFFILIATED OR RELATED COMPANIES AND MAY NOT BE REPRODUCED, COPIED, DISSEMINATED, PUBLISHED, OR TRANSFERRED IN ANY FORM OR BY ANY MEANS, EXCEPT WITH THE PRIOR WRITTEN CONSENT OF POPEYES LOUISIANA KITCHEN. ANY VIOLATION OF THESE TERMS IS A VIOLATION OF FEDERAL LAW SUBJECT TO CRIMINAL AND CIVIL PENALTIES.

THE CONTRACTOR IS TO VERIFY ALL DIMENSIONS AND CONDITIONS ON THE PROJECT AND TO REPORT ANY DISCREPANCIES TO THE POPEYES LOUISIANA KITCHEN PRIOR TO COMMENCEMENT OF WORK. THESE DISCREPANCIES ARE NOT TO BE USED FOR CONSTRUCTION PURPOSES UNLESS INDICATED BY POPEYES LOUISIANA KITCHEN AS "ISSUED FOR CONSTRUCTION".

9.14.2023

Company Logo



Project

US 2112 PROTOTYPE 2112-21

Location

1517 NC 24-87 CAMERON, NC

Drawing Title

ARCHITECTURAL SPECIFICATIONS

Drawn

Scale

Project No.

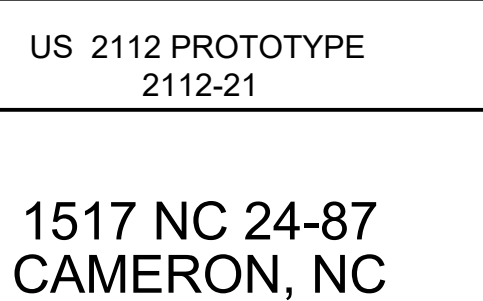
SH AL

Date

JUNE 2023

Drawing No.

C22-129 SP1



DIVISION 03 - CONCRETE
REINFORCED CONCRETE **03 30 00**

PART 1 - GENERAL

1. SUMMARY

A. ALL CONCRETE CONSTRUCTION SHALL CONFORM TO THE LATEST, ADOPTED EDITIONS OF THE STANDARDS AND MATERIAL SPECIFICATIONS REFERENCED HEREIN.

B. REFERENCE STANDARDS BY THE AMERICAN CONCRETE INSTITUTE (ACI)

1. AC 301, "SPECIFICATIONS FOR STRUCTURAL CONCRETE," EXCEPT AS SPECIFICALLY MODIFIED IN THE SPECIFICATIONS AND/OR HEREIN.

2. AC 308, "BUILDING CODE REQUIREMENTS FOR STRUCTURAL CONCRETE."

3. AC 305, "HOT WEATHER CONCRETING" AND AC 306, "COLD WEATHER CONCRETING."

4. AC 315, "DETAILS AND DETAILING OF CONCRETE REINFORCEMENT" UNLESS DETAILER OTHERWISE ON THE STRUCTURAL DRAWINGS.

12. ACTION SUBMITTALS

A. PRODUCT DATA, FOR EACH TYPE OF MATERIAL INDICATED.

B. DESIGN MIXTURES FOR EACH CONCRETE MIXTURE.

C. STEEL REINFORCEMENT SHOP DRAWINGS, INCLUDING DETAILS THAT DETAIL FABRICATION, BRACING, AND PLACEMENT.

D. FORMWORK SHOP DRAWINGS, PREPARED BY OR UNDER THE SUPERVISION OF A QUALIFIED PROFESSIONAL ENGINEER DETAILING FABRICATION, ASSEMBLY, AND SUPPORT OF FORMWORK.

13. INFORMATIONAL SUBMITTALS

A. WELDING CERTIFICATES.

B. MATERIAL CERTIFICATES.

C. MATERIAL TEST REPORTS.

D. FLOOR SURFACE FLATNESS AND LEVELNESS MEASUREMENTS.

14. QUALITY ASSURANCE

A. MANUFACTURER QUALIFICATIONS: A FIRM EXPERIENCED IN MANUFACTURING READY-MIXED CONCRETE PRODUCTS AND THAT COMPLETES WITH ASTM C 940 MINIMUM REQUIREMENTS FOR PRODUCTION FACILITIES AND EQUIPMENT.

1. MANUFACTURER CERTIFIED ACCORDING TO MINIMUM CERTIFICATION OF READY-MIXED CONCRETE PRODUCTS AND THAT COMPLETES WITH ASTM C 940 MINIMUM REQUIREMENTS FOR PRODUCTION FACILITIES AND EQUIPMENT.

B. SUPERVISOR: A QUALIFIED PROFESSIONAL ENGINEER DETAILING FABRICATION, ASSEMBLY, AND SUPPORT OF FORMWORK.

C. TESTING AGENCIES: AN INDEPENDENT AGENCY, ACCEPTABLE TO AUTHORITIES HAVING JURISDICTION, QUALIFIED ACCORDING TO ASTM C 107 AND ASTM C 1077 FOR CONCRETE TESTS.

D. WELDING QUALIFICATIONS: QUALIFY PROCEDURES AND PERSONNEL ACCORDING TO AWS D 1.4M, "STRUCTURAL WELDING CODE - REINFORCING STEEL."

D. AD. PUBLICATIONS: COMPLY WITH THE FOLLOWING, UNLESS MODIFIED BY REQUIREMENTS IN THE CONTRACT DOCUMENTS.

1. AC 301, "SPECIFICATIONS FOR STRUCTURAL CONCRETE."

2. AC 117, "SPECIFICATIONS FOR CONCRETE CONSTRUCTION AND MATERIALS."

E. CONCRETE TESTING SERVICE: ENGAGE A QUALIFIED INDEPENDENT TESTING AGENCY TO CONDUCT MATERIAL PERFORMANCE TESTS AND TO DESIGN CONCRETE MIXTURES.

PART 2 - PRODUCTS

2.1 MATERIALS

A. STRUCTURAL CONCRETE

SEE STRUCTURAL DRAWINGS FOR CLASS, LOCATION, AND COMPRESSIVE STRENGTH OF CONCRETE AND BACKFILL.

B. REINFORCING BARS AND WELDED WIRE FABRIC

SEE STRUCTURAL DRAWINGS FOR SPECIFICATIONS.

C. BAR SUPPORTS: BOLTERS, CHAIRS, SPACERS, AND OTHER DEVICES FOR SPACING, SUPPORTING, AND FASTENING REINFORCING BARS AND WELDED WIRE FABRIC IN CONCRETE. PLACE AND FASTEN REINFORCING BARS AND WELDED WIRE FABRIC IN ACCORDANCE WITH MANUFACTURER'S WRITTEN INSTRUCTIONS. REINFORCE WITH STEEL WIRE PLASTIC, OR PRECAST CONCRETE ACCORDING TO MANUFACTURER'S PRACTICE.

2.2 FIELD MANUAL: PROVIDE AT LEAST ONE COPY OF THE ACI FIELD REFERENCE MANUAL, 9th EDITION, IN THE FIELD OFFICE AT ALL TIMES.

2.3 FOOTINGS AND FOUNDATION WALLS

A. PROVIDE AND INSTALL DOWELS IN CONCRETE FOOTINGS TO MATCH VERTICAL WALLS AND HORIZONTAL REINFORCING. LAY CORNER BARS WITH HORIZONTAL WALL AND FOOTING REINFORCING A MINIMUM OF 48 BAR DIAMETERS.

B. INITIAL CORNER BARS AT FOUNDATION WALLS AND FOOTING CORNERS TO MATCH HORIZONTAL REINFORCING. LAY CORNER BARS WITH HORIZONTAL WALL AND FOOTING REINFORCING A MINIMUM OF 48 BAR DIAMETERS.

C. INITIAL LEAN CONCRETE CLASS 10 IN FOUNDATIONS FOR ACCIDENTAL OVER-EXCAVATION, SOFT SOILS, AND TRENCHES.

D. CONCRETE FOUNDATION WALLS ARE NOT DESIGNED TO BE STABLE DURING CONSTRUCTION. THE CONTRACTOR SHALL INSTALL, IN A TIMELY MANNER, TO PREVENT COLLAPSE OF THE WALLS, ADEQUATE BRACING DESIGNED TO RESIST ALL APPLICABLE LOADS OR FORCES. BRACING SHALL REMAIN IN PLACE UNTIL ALL STRUCTURAL ELEMENTS PROVIDING LATERAL SUPPORT FOR THE WALLS ARE IN PLACE AND THE WALLS HAVE ATTAINED THE SPECIFIED STRENGTH.

2.4 PROVIDE 48 BAR DIAMETER LAP SPICES AT ENDS OF CONTINUOUS HORIZONTAL AND CONTINUOUS VERTICAL CONCRETE REINFORCING.

2.5 CONCRETE COVER: UNLESS NOT OTHERWISE DETAIL, REINFORCING TO PROVIDE MINIMUM CONCRETE COVER AS FOLLOWS:

A. CONCRETE CAST AGAINST AND POSITIVELY EXPOSED TO WEATHER 3 INCHES

B. CONCRETE EXPOSED TO EARTH OR WEATHER 85 BARS AND SMALLER OTHERS 1-1/2 INCHES

2.6 VAPOR RETARDERS

A. SHEET VAPOR RETARDER: ASTM 1745, INCLUDE MANUFACTURER'S RECOMMENDED ADHESIVE OR PRESSURE-SENSITIVE TAPE.

B. SHEET VAPOR RETARDER: POLYETHYLENE SHEET, ASTM 4397, NOT LESS THAN 10 MILS THICK.

PART 3 - EXECUTION

3.1 FORMWORK

A. DESIGN, ERECT, SHORE, BRACE, AND MAINTAIN FORMWORK, ACCORDING TO AC 301, TO SUPPORT REINFORCING, LATERAL, STATIC, AND DYNAMIC LOADS, AND CONSTRUCTION LOADS THAT MUST BE APPLIED TO WALLS, STRUCTURE OR SUPPORT SUCH LOADS.

B. DESIGN, ERECT, SHORE, BRACE, AND MAINTAIN FORMWORK, ACCORDING TO AC 301, TO SUPPORT REINFORCING, LATERAL, STATIC, AND DYNAMIC LOADS, AND CONSTRUCTION LOADS THAT MUST BE APPLIED TO WALLS, STRUCTURE OR SUPPORT SUCH LOADS.

3.2 EMBOSSED STRIPS

A. PLACE AND SECURE ANCHORAGE DEVICES AND OTHER EMBEDDED ITEMS REQUIRED FOR ADDITIONAL WORK THAT IS ATTACHED TO OR SUPPORTED BY CAST-IN-PLACE CONCRETE. USE SETTING DRAWINGS, TEST REPORTS, DIAGRAMS, INSTRUCTIONS, AND DIRECTIONS FURNISHED WITH ITEMS TO BE EMBEDDED.

3.3 VAPOR RETARDERS

A. SHEET VAPOR RETARDERS: PLACE, PROTECT, AND REPAIR SHEET VAPOR RETARDER ACCORDING TO ASTM 1745 AND MANUFACTURER'S WRITTEN INSTRUCTIONS.

1. LAP JOINTS 6 INCHES AND SEAL WITH MANUFACTURER'S RECOMMENDED TAPE.

3.4 STEEL REINFORCEMENT

A. GENERAL: COMPLY WITH CRISIS MANUAL OF STANDARD PRACTICE FOR PLACING REINFORCEMENT.

1. DO NOT CUT OR INFLUENCE VAPOR RETARDER. REPAIR DAMAGE AND RESEAL VAPOR RETARDER BEFORE PLACING CONCRETE.

3.5 JOINTS

A. GENERAL: CONSTRUCT JOINTS TRUE TO LINE WITH FACES PERPENDICULAR TO SURFACE PLANE OF CONCRETE.

B. CONSTRUCTION JOINTS: INSTALL SO STRENGTH AND APPEARANCE OF CONCRETE ARE NOT IMPAIRED AT LOCATIONS INDICATED OR AS APPROVED BY ARCHITECT.

C. CONSTRUCTION JOINTS: IN SLABS ON GRADE, FORM WEAKENED PLANE CONSTRUCTION JOINTS, SECTIONING CONCRETE INTO AREAS AS INDICATED ON CONSTRUCTION PLAN.

1. GROOVED JOINTS: FORM CONSTRUCTION JOINTS AFTER INITIAL FLOATING BY GROOVING AND FINISHING EACH EDGE OF JOINT TO A RADIUS OF 18 INCH. REPEAT GROOVING OF CONSTRUCTION JOINTS AFTER APPLYING SURFACE JOINTS. ELIMINATE GROOVER TOOL MARKS ON CONCRETE SURFACES.

2. SAVED JOINTS: FORM CONSTRUCTION JOINTS WITH POWER SAWS EQUIPPED WITH SHATTERPROOF ARMS OR DIAMOND-TIPPED BLADES. CUT 90-DEGREE JOINTS INTO CONCRETE WHEN CUTTING ACTION WILL NOT TEAR, ABRADE, OR OTHERWISE DAMAGE SURFACE AND BEFORE CONCRETE DEVELOPS RANDOM CONTRACTION CRACKS.

D. ISOLATION JOINTS: IN SLABS ON GRADE, AFTER FINISHING FORMWORK, INSTALL JOINT FILLER STRIPS AT SLAB JUNCTIONS WITH VERTICAL SURFACES, SUCH AS COLUMN, PEDESTALS, FOUNDATION WALLS, GRADES, AND OTHER LOCATIONS, AS INDICATED ON CONSTRUCTION DRAWINGS. INSTALL IN CONSTRUCTION JOINTS AND AT OTHER JOINTS INDICATED ACCORDING TO MANUFACTURER'S WRITTEN INSTRUCTIONS.

3.6 CONCRETE PLACEMENT

A. BEFORE PLACING CONCRETE, VERIFY THAT INSTALLATION OF FORMWORK, REINFORCEMENT, AND EMBEDDED ITEMS IS COMPLETE AND THAT REQUIRED INSPECTIONS HAVE BEEN PERFORMED.

B. DEPOSIT CONCRETE CONTINUOUSLY IN ONE LAYER OR IN HORIZONTAL LAYERS OF SUCH THICKNESS THAT NO NEW CONCRETE WILL BE PLACED ON CONCRETE THAT IS NOT HARD ENOUGH TO CAUSE SEAMS OR PLANES OF WEAKNESS. IF A SECTION CANNOT BE PLACED CONTINUOUSLY, PROVIDE CONSTRUCTION JOINTS AS INDICATED. DO NOT CONCRETE TO VOID SEGREGATION.

1. CONSOLIDATE PLACED CONCRETE WITH MECHANICAL VIBRATING EQUIPMENT ACCORDING TO AC 301.

C. COLD-WEATHER PLACEMENT: COMPLY WITH AC 308.1.

D. HOT-WEATHER PLACEMENT: COMPLY WITH AC 301.

3.7 FINISHING FORMED SURFACES

A. ROUGH-FORMED FINISH: AS-CAST CONCRETE TEXTURE IMPARTED BY FORMING CASI MATERIAL WITH THE HOLES AND DEFECTS REPAIRED AND PATCHED. REMOVE FINES AND OTHER PROJECTIONS THAT EXCEED SPECIFIED LIMITS ON FORMED-SURFACE IRREGULARITIES.

1. APPLY TO CONCRETE SURFACES NOT EXPOSED TO PUBLIC VIEW - (INSERT LOCATIONS)- MATERIAL, ARRANGED IN AN ORDERLY AND MECHANICAL MANNER WITH A MINIMUM OF SEAM, REPAIR AND PATCH 1/8 HOLES AND DEFECTS. REMOVE FINE AND OTHER PROJECTIONS THAT EXCEED SPECIFIED LIMITS ON FORMED-SURFACE IRREGULARITIES.

1. APPLY TO CONCRETE SURFACES EXPOSED TO PUBLIC VIEW (TO RECEIVE A RUBBED FINISH) (TO BE COVERED WITH A COATING OR COVERING MATERIAL APPLIED DIRECTLY TO CONCRETE - INSERT LOCATIONS).

C. RUBBED FINISH: APPLY THE FOLLOWING TO SMOOTH-FORMED FINISHED AS-CAST CONCRETE WHERE INDICATED.

1. SMOOTH-RUBBED FINISH: NOT LATER THAN ONE DAY AFTER FORM REMOVAL, MOISTEN CONCRETE SURFACES AND RUB WITH CARBORUNDUM OR OTHER ABRASIVE UNTIL PRODUCING A UNIFORM COLOR AND TEXTURE. DO NOT APPLY CEMENT GROUT OTHER THAN THAT CREATED BY THE RUBBING PROCESS.

DIVISION 04 - MASONRY
UNIT MASONRY **04 20 00**

PART 1 - GENERAL

1.1 RELATED DOCUMENTS

A. DRAWINGS AND GENERAL PROVISIONS OF CONTRACT APPLY TO THIS SECTION.

1.2 QUALITY ASSURANCE

A. ALL MASONRY CONSTRUCTION SHALL CONFORM TO THE LATEST ADOPTED EDITIONS OF THE STANDARDS AND MATERIAL SPECIFICATIONS REFERENCED HEREIN.

B. REFERENCE STANDARDS

1. AC 530, SECTION 5704.4.2, "BUILDING CODE REQUIREMENTS FOR MASONRY STRUCTURES."

2. AC 530, SECTION 5705.6.02, "SPECIFICATION FOR MASONRY STRUCTURES."

3. CONFORM TO LOCAL BUILDING CODES AND ORDINANCES, INCLUDING IBC AND IFC.

1. CONFORM NOT WEATHERING REQUIREMENTS TO PARAGRAPH 1.8.D.

1.3 DELIVERY, STORAGE, AND HANDLING

A. DELIVER MASONRY MATERIALS TO PROJECT IN UNDAUNAGED CONDITION.

B. STORE AND HANDLE MASONRY UNITS OFF THE GROUND, UNDER COVER, AND IN DRY LOCATIONS TO PREVENT THEIR DETERIORATION OR DAMAGE DUE TO MOISTURE, CONTAMINANTS, CHANGES, CONTAMINANTS, CORROSION, AND OTHER CAUSES. IF UNITS BECOME WET, DO NOT PLACE UNTIL UNITS ARE IN AN ARIRED CONDITION.

C. STORE CEMENTITIOUS MATERIALS OFF THE GROUND, UNDER COVER, AND IN DRY LOCATIONS.

D. STORE AGGREGATES WHERE GRADING AND OTHER REQUIRED CHARACTERISTICS CAN BE MAINTAINED AND CONTAMINATION AVOIDED.

E. STORE MASONRY ACCESSORIES INCLUDING METAL ITEMS TO PREVENT CORROSION AND ACCUMULATION OF DIRT AND OILS.

1.4 PROJECT CONDITIONS

A. PROTECTION OF MASONRY: DURING ERECTION, COVER TOPS OF WALLS, PROJECTIONS, AND SILLS WITH 1/4" THICK SHEET PILE END OF EACH SECTION TO PROTECT PARTIALLY COMPLETED MASONRY WHEN CONSTRUCTION IS NOT IN PROGRESS.

1. EXTEND COVER A MINIMUM OF 6 INCHES DOWN BOTH SIDES AND HOLD COVER SECURELY IN PLACE.

B. STAIN PREVENTION: PREVENT GROUT, MORTAR, AND SOIL FROM STAINING THE FACE OF MASONRY TO BE LEFT EXPOSED OR PAINTED. REMOVE IMMEDIATELY ANY FRESH MORTAR, AND SOIL, THAT COMES IN CONTACT WITH SUCH MASONRY.

1. PROTECT FACE OF MASONRY FROM SPATTER BY MEANS OF COVERINGS SPREAD ON GROUND AND OVER WALL SURFACES.

2. PROTECT SILLS, LEDGES, AND PROJECTIONS FROM MORTAR DROPPINGS.

3. PROTECT SURFACES OF WINDOWS AND DOORWAYS, AS WELL AS SIMILAR PRODUCTS, FROM SPATTER AND OTHER DAMAGE FROM MORTAR DROPPINGS.

C. COLD-WEATHER CONSTRUCTION: COMPLY WITH REFERENCED UNIT MASONRY STANDARD FOR COLD-WEATHER CONSTRUCTION AND THE FOLLOWING:

1. DO NOT LAY MASONRY UNITS THAT ARE FROZEN OR FROZEN.

2. REMOVE MASONRY DAMAGED BY FREEZING CONDITIONS.

D. MORTAR: FORM CONSTRUCTION: COMPLY WITH REFERENCED UNIT MASONRY STANDARD.

1. WITH FULL MORTAR COVERAGE ON HORIZONTAL AND VERTICAL FACE SHELLS TO FULLY FINISH JOINT TO SLIGHT CONCAVE SECTION FORMING UNIFORMLY DENSE GROUT SURFACE.

2. BED WEBS IN MORTAR IN STARTING COURSE ON FOOTINGS AND IN ALL COURSES OF PIERIS AND WHERE ADJACENT TO COLLARS OR CAFTERS TO BE FILLED WITH GROUT.

3. FOR STARTING COURSE ON FOOTINGS WHERE CELLS ARE NOT COVERED, SPREAD OUT FULL MORTAR BED INCLUDING AREAS UNDER CELLS.

B. CUT JOINTS FLUSH FOR MASONRY WALLS TO BE CONCEALED OR TO BE COVERED BY OTHER MATERIALS, UNLESS OTHERWISE INDICATED.

C. REPORT MORTAR JOINTS ADJOINING GLAZED SURFACES OF PREFRAGD CONCRETE MASONRY UNITS WITH CHEMICAL-RESISTANT, WATER-CLEANABLE, EPOXY GROUT. AFTER BEING MORTAR HAS BECOME FIRM BUT BEFORE IT HARDENS OR SETS, RAKE JOINTS ALONGING GLAZED SURFACES BACK 1/4 INCH FROM FACE. REPAIR JOINTS WITH CHEMICAL-RESISTANT, WATER-CLEANABLE, EPOXY GROUT. FULL FINISHED JOINT TO SLIGHTLY CONCAVE SECTION FORMING UNIFORMLY DENSE GROUT SURFACE.

3.6 MOVEMENT (CONTROL AND EXPANSION) JOINTS

A. GENERAL: INSTALL, CONTROL, AND EXPANSION JOINTS IN UNIT MASONRY WHERE INDICATED. BUILD-UP RELATED ITEMS AS THE MASONRY PROGRESSES. DO NOT FORM A CONTINUOUS SPAN THROUGH MOVEMENT JOINTS UNLESS PROVISIONS ARE MADE TO PREVENT PLANE RESTRAINT OF WALL OR PARTITION MOVEMENT.

B. FORM CONTROL JOINTS IN CONCRETE MASONRY AS FOLLOWS:

1. INSTALL PREFORMED CONTROL JOINT GASKETS DESIGNED TO FIT STANDARD SASH BLOCK.

3.7 REPAIRING, POINTING, AND CLEANING

A. REMOVE AND REPLACE MASONRY UNITS THAT ARE LOOSE, CHIPPED, BROKEN, STAINED, OR OTHERWISE DAMAGED OR IF UNITS DO NOT MATCH ADJOINING UNITS. INSTALL NEW UNITS TO MATCH ADJOINING UNITS AND IN FRESH MORTAR OR GROUT, POINTED TO ELIMINATE EVIDENCE OF REPLACEMENT.

B. POINTING: DURING THE TOOLING OF JOINTS, ENLARGE ANY VOIDS OR HOLES, EXCEPT WEEP HOLES, AND COMPLETELY FILL WITH MORTAR. POINT-UP ALL CONCAVED CORNERS, OPENINGS, AND ADJACENT CONSTRUCTION TO PROVIDE A NEAT, UNIFORM APPEARANCE, PREPARED FOR APPLICATION OF SEALANTS.

C. FINAL CLEANING: AFTER MORTAR IS THOROUGHLY SET AND CURED, CLEAN EXPOSED MASONRY AS FOLLOWS:

1. TEST CLEANING METHODS ON SAMPLE WALL PANEL. LEAVE 10 PANEL UNCLEANED FOR COMPARISON PURPOSES. OBTAIN ASSOCIATE'S APPROVAL OF SAMPLE CLEANING BEFORE PROCEEDING WITH CLEANING OF MASONRY WALL.

2. CLEAN AS-CAST MASONRY BY MEANS OF CLEANING METHOD INDICATED IN NOTES. TEST 1/4 INCHES APPLICABLE TO TYPE OF STAIN PRESENT ON EXPOSED SURFACES.

D. PROTECTION: PROVIDE FINAL PROTECTION AND MAINTAIN CONDITIONS, IN A MANNER ACCEPTABLE TO INSTALLER THAT ENSURES UNIT MASONRY IS WITHOUT DAMAGE AND DETERIORATION AT THE TIME OF CONTRACT COMPLETION.

END OF SECTION 04 20 00

DIVISION 5 - METALS
DECORATIVE METAL RAILINGS **SECTION 05 73 00**

PART 1 - GENERAL

1.1 RELATED DOCUMENTS

A. DRAWINGS AND GENERAL PROVISIONS OF CONTRACT APPLY TO THIS SECTION.

1.2 DELIVERY, STORAGE AND HANDLING

A. DELIVERY AND STORAGE: KEEP MATERIALS UNDER COVER AND DRY. PROTECT AGAINST EXPOSURE TO WEATHER AND CONTACT WITH DAMP OR WET SURFACES. STACK LUMBER AS WELL AS PLYWOOD AND OTHER PANELS FLAT WITH SPACERS BETWEEN EACH PANEL. PROTECT AGAINST CONTACT WITH POLYETHYLENE AND SIMILAR MATERIALS.

1.3 INFORMATIONAL SUBMITTALS

A. ALL STRUCTURAL LUMBER CONSTRUCTION SHALL CONFORM TO THE LATEST, ADOPTED EDITIONS OF THE STANDARDS AND MATERIAL SPECIFICATIONS REFERENCED HEREIN.

PART 2 - PRODUCTS

2.1 LUMBER PRODUCTS

A. GENERAL: ALL LUMBER SHALL COMPLY WITH THE REQUIREMENTS OF DOC P5 20. FURNISH LUMBER WITH EACH FACE FACTORY-MARKED WITH GRADE STAMP OF INSPECTION AGENCY, GRADE, SPECIES, MOISTURE CONTENT AND MILL.

1. FOR EXPOSED LUMBER INDICATED TO RECEIVE A STAIN OR NATURAL FINISH, MARK GRADE STAMP ON END OR BACK OF EACH PIECE OR PROVIDE CERTIFICATE OF GRADE COMPLIANCE ISSUED BY GRADING AGENCY.

2. PROVIDE DRESSED LUMBER, S4S, UNLESS OTHERWISE INDICATED.

B. INSPECTION AGENCIES: INSPECTION AGENCIES AND THE APPLICABLE USED TO REFERENCED THEM WITH LUMBER GRADES AND SPECIES PER 98B-NORTH CAROLINA INSPECTION BUREAU.

C. GRADE STAMPS: PROVIDE LUMBER WITH EACH FACE FACTORY-MARKED WITH GRADE STAMP OF INSPECTION AGENCY, GRADE, SPECIES, MOISTURE CONTENT AND MILL.

2.2 DIMENSION LUMBER AND BOARDS FOR CONCEALED CONDITIONS

A. SPECIES: SPRUCE PINE FIR.

B. MOISTURE CONTENT: S-DRY 10 OR MC 10/19 PERCENT MAXIMUM MOISTURE CONTENT.

C. GRADE: STRUCTURAL LUMBER, NO. 2 OR STANDARD GRADE. BOARDS: NO. 2 OR STANDARD GRADE.

2.3 STEEL AND IRON

A. TURNING BARS, PLATES, AND OTHER CAST IRON MEMBERS PER ICC AC-207.

2.5 STEEL, AND IRON FINISHES

A. GALVANIZED RAILINGS

1. PRE GALVANIZED EXTERIOR STEEL AND IRON RAILINGS, INCLUDING HARDWARE, AFTER FABRICATION.

2. COMPLY WITH ICC AC-207.

3. DO NOT QUENCH OR APPLY POST-GALVANIZING TREATMENTS THAT MIGHT INTERFERE WITH PAINT ADHESION.

PART 3 - EXECUTION

3.1 INSTALLATION

A. FIT EXPOSED CONNECTIONS TOGETHER TO FORM TIGHT, HARBLINE JOINTS.

B. PERFORM CUTTING, DRILLING, AND FITTING REQUIRED FOR INSTALLING RAILINGS. SET RAILINGS ACCURATELY IN LOCATION, ALIGNMENT, AND ELEVATION MEASURED FROM ESTABLISHED LINES AND LEVELS AND TOLERANCE OF 1/8".

1. SET POSTS PLUMB WITHIN A TOLERANCE OF 1/16 INCH IN 3 FEET.

2. ALIGN RAILS PER MANUFACTURER'S INSTRUCTIONS.

C. TOUCH-UP PAINTING: IMMEDIATELY AFTER ERECTION, CLEAN AND FILL WELDS, BOLT CONNECTIONS, AND ABRADED SURFACES OF SHOP PAINT, AND PAINT EXPOSED AREAS WITH THE SAME MATERIAL USED FOR SHOP PAINTING TO COMPLY WITH SSPC-PA 1 FOR TOUCH-UP SHOP PAINTED SURFACES.

END OF SECTION 05 73 00

DIVISION 6 - WOOD, PLASTICS, AND COMPOSITES
ROUGH CARPENTRY **SECTION 06 10 00**

PART 1 - GENERAL

1.1 RELATED DOCUMENTS

A. DRAWINGS AND GENERAL PROVISIONS OF CONTRACT APPLY TO THIS SECTION.

1.2 DELIVERY, STORAGE AND HANDLING

A. DELIVERY AND STORAGE: KEEP MATERIALS UNDER COVER AND DRY. PROTECT AGAINST EXPOSURE TO WEATHER AND CONTACT WITH DAMP OR WET SURFACES. STACK LUMBER AS WELL AS PLYWOOD AND OTHER PANELS FLAT WITH SPACERS BETWEEN EACH PANEL. PROTECT AGAINST CONTACT WITH POLYETHYLENE AND SIMILAR MATERIALS.

1.3 INFORMATIONAL SUBMITTALS

A. ALL STRUCTURAL LUMBER CONSTRUCTION SHALL CONFORM TO THE LATEST, ADOPTED EDITIONS OF THE STANDARDS AND MATERIAL SPECIFICATIONS REFERENCED HEREIN.

PART 2 - PRODUCTS

2.1 LUMBER PRODUCTS

A. GENERAL: ALL LUMBER SHALL COMPLY WITH THE REQUIREMENTS OF DOC P5 20. FURNISH LUMBER WITH EACH FACE FACTORY-MARKED WITH GRADE STAMP OF INSPECTION AGENCY, GRADE, SPECIES, MOISTURE CONTENT AND MILL.

1. FOR EXPOSED LUMBER INDICATED TO RECEIVE A STAIN OR NATURAL FINISH, MARK GRADE STAMP ON END OR BACK OF EACH PIECE OR PROVIDE CERTIFICATE OF GRADE COMPLIANCE ISSUED BY GRADING AGENCY.

2. PROVIDE DRESSED LUMBER, S4S, UNLESS OTHERWISE INDICATED.

B. INSPECTION AGENCIES: INSPECTION AGENCIES AND THE APPLICABLE USED TO REFERENCED THEM WITH LUMBER GRADES AND SPECIES PER 98B-NORTH CAROLINA INSPECTION BUREAU.

C. GRADE STAMPS: PROVIDE LUMBER WITH EACH FACE FACTORY-MARKED WITH GRADE STAMP OF INSPECTION AGENCY, GRADE, SPECIES, MOISTURE CONTENT AND MILL.

2.2 DIMENSION LUMBER AND BOARDS FOR CONCEALED CONDITIONS

A. SPECIES: SPRUCE PINE FIR.

B. MOISTURE CONTENT: S-DRY 10 OR MC 10/19 PERCENT MAXIMUM MOISTURE CONTENT.

C. GRADE: STRUCTURAL LUMBER, NO. 2 OR STANDARD GRADE. BOARDS: NO. 2 OR STANDARD GRADE.

2.3 STEEL AND IRON

A. TURNING BARS, PLATES, AND OTHER CAST IRON MEMBERS PER ICC AC-207.

2.5 STEEL, AND IRON FINISHES

A. GALVANIZED RAILINGS

1. PRE GALVANIZED EXTERIOR STEEL AND IRON RAILINGS, INCLUDING HARDWARE, AFTER FABRICATION.

2. COMPLY WITH ICC AC-207.

3. DO NOT QUENCH OR APPLY POST-GALVANIZING TREATMENTS THAT MIGHT INTERFERE WITH PAINT ADHESION.

PART 3 - EXECUTION

3.1 INSTALLATION

A. FIT EXPOSED CONNECTIONS TOGETHER TO FORM TIGHT, HARBLINE JOINTS.

B. PERFORM CUTTING, DRILLING, AND FITTING REQUIRED FOR INSTALLING RAILINGS. SET RAILINGS ACCURATELY IN LOCATION, ALIGNMENT, AND ELEVATION MEASURED FROM ESTABLISHED LINES AND LEVELS AND TOLERANCE OF 1/8".

1. SET POSTS PLUMB WITHIN A TOLERANCE OF 1/16 INCH IN 3 FEET.

2. ALIGN RAILS PER MANUFACTURER'S INSTRUCTIONS.

C. TOUCH-UP PAINTING: IMMEDIATELY AFTER ERECTION, CLEAN AND FILL WELDS, BOLT CONNECTIONS, AND ABRADED SURFACES OF SHOP PAINT, AND PAINT EXPOSED AREAS WITH THE SAME MATERIAL USED FOR SHOP PAINTING TO COMPLY WITH SSPC-PA 1 FOR TOUCH-UP SHOP PAINTED SURFACES.

END OF SECTION 06 10 00

DIVISION 6 - WOOD, PLASTICS, AND COMPOSITES
ROUGH CARPENTRY **SECTION 06 10 00**

PART 1 - GENERAL

1.1 RELATED DOCUMENTS

A. DRAWINGS AND GENERAL PROVISIONS OF CONTRACT APPLY TO THIS SECTION.

1.2 DELIVERY, STORAGE AND HANDLING

A. DELIVERY AND STORAGE: KEEP MATERIALS UNDER COVER AND DRY. PROTECT AGAINST EXPOSURE TO WEATHER AND CONTACT WITH DAMP OR WET SURFACES. STACK LUMBER AS WELL AS PLYWOOD AND OTHER PANELS FLAT WITH SPACERS BETWEEN EACH PANEL. PROTECT AGAINST CONTACT WITH POLYETHYLENE AND SIMILAR MATERIALS.

1.3 INFORMATIONAL SUBMITTALS

A. ALL STRUCTURAL LUMBER CONSTRUCTION SHALL CONFORM TO THE LATEST, ADOPTED EDITIONS OF THE STANDARDS AND MATERIAL SPECIFICATIONS REFERENCED HEREIN.

PART 2 - PRODUCTS

2.1 LUMBER PRODUCTS

A. GENERAL: ALL LUMBER SHALL COMPLY WITH THE REQUIREMENTS OF DOC P5 20. FURNISH LUMBER WITH EACH FACE FACTORY-MARKED WITH GRADE STAMP OF INSPECTION AGENCY, GRADE, SPECIES, MOISTURE CONTENT AND MILL.

1. FOR EXPOSED LUMBER INDICATED TO RECEIVE A STAIN OR NATURAL FINISH, MARK GRADE STAMP ON END OR BACK OF EACH PIECE OR PROVIDE CERTIFICATE OF GRADE COMPLIANCE ISSUED BY GRADING AGENCY.

2. PROVIDE DRESSED LUMBER, S4S, UNLESS OTHERWISE INDICATED.

B. INSPECTION AGENCIES: INSPECTION AGENCIES AND THE APPLICABLE USED TO REFERENCED THEM WITH LUMBER GRADES AND SPECIES PER 98B-NORTH CAROLINA INSPECTION BUREAU.

C. GRADE STAMPS: PROVIDE LUMBER WITH EACH FACE FACTORY-MARKED WITH GRADE STAMP OF INSPECTION AGENCY, GRADE, SPECIES, MOISTURE CONTENT AND MILL.

2.2 DIMENSION LUMBER AND BOARDS FOR CONCEALED CONDITIONS

A. SPECIES: SPRUCE PINE FIR.

B. MOISTURE CONTENT: S-DRY 10 OR MC 10/19 PERCENT MAXIMUM MOISTURE CONTENT.

C. GRADE: STRUCTURAL LUMBER, NO. 2 OR STANDARD GRADE. BOARDS: NO. 2 OR STANDARD GRADE.

2.3 STEEL AND IRON

A. TURNING BARS, PLATES, AND OTHER CAST IRON MEMBERS PER ICC AC-207.

2.5 STEEL, AND IRON FINISHES

A. GALVANIZED RAILINGS

1. PRE GALVANIZED EXTERIOR STEEL AND IRON RAILINGS, INCLUDING HARDWARE, AFTER FABRICATION.

2. COMPLY WITH ICC AC-207.

3. DO NOT QUENCH OR APPLY POST-GALVANIZING TREATMENTS THAT MIGHT INTERFERE WITH PAINT ADHESION.

PART 3 - EXECUTION

3.1 INSTALLATION

A. FIT EXPOSED CONNECTIONS TOGETHER TO FORM TIGHT, HARBLINE JOINTS.

B. PERFORM CUTTING, DRILLING, AND FITTING REQUIRED FOR INSTALLING RAILINGS. SET RAILINGS ACCURATELY IN LOCATION, ALIGNMENT, AND ELEVATION MEASURED FROM ESTABLISHED LINES AND LEVELS AND TOLERANCE OF 1/8".

1. SET POSTS PLUMB WITHIN A TOLERANCE OF 1/16 INCH IN 3 FEET.

2. ALIGN RAILS PER MANUFACTURER'S INSTRUCTIONS.

C. TOUCH-UP PAINTING: IMMEDIATELY AFTER ERECTION, CLEAN AND FILL WELDS, BOLT CONNECTIONS, AND ABRADED SURFACES OF SHOP PAINT, AND PAINT EXPOSED AREAS WITH THE SAME MATERIAL USED FOR SHOP PAINTING TO COMPLY WITH SSPC-PA 1 FOR TOUCH-UP SHOP PAINTED SURFACES.

END OF SECTION 06 10 00

DIVISION 6 - WOOD, PLASTICS, AND COMPOSITES
ROUGH CARPENTRY **SECTION 06 10 00**

PART 1 - GENERAL

1.1 RELATED DOCUMENTS

A. DRAWINGS AND GENERAL PROVISIONS OF CONTRACT APPLY TO THIS SECTION.

1.2 DELIVERY, STORAGE AND HANDLING

A. DELIVERY AND STORAGE: KEEP MATERIALS UNDER COVER AND DRY. PROTECT AGAINST EXPOSURE TO WEATHER AND CONTACT WITH DAMP OR WET SURFACES. STACK LUMBER AS WELL AS PLYWOOD AND OTHER PANELS FLAT WITH SPACERS BETWEEN EACH PANEL. PROTECT AGAINST CONTACT WITH POLYETHYLENE AND SIMILAR MATERIALS.

1.3 INFORMATIONAL SUBMITTALS

A. ALL STRUCTURAL LUMBER CONSTRUCTION SHALL CONFORM TO THE LATEST, ADOPTED EDITIONS OF THE STANDARDS AND MATERIAL SPECIFICATIONS REFERENCED HEREIN.

PART 2 - PRODUCTS

2.1 LUMBER PRODUCTS

A. GENERAL: ALL LUMBER SHALL COMPLY WITH THE REQUIREMENTS OF DOC P5 20. FURNISH LUMBER WITH EACH FACE FACTORY-MARKED WITH GRADE STAMP OF INSPECTION AGENCY, GRADE, SPECIES, MOISTURE CONTENT AND MILL.

1. FOR EXPOSED LUMBER INDICATED TO RECEIVE A STAIN OR NATURAL FINISH, MARK GRADE STAMP ON END OR BACK OF EACH PIECE OR PROVIDE CERTIFICATE OF GRADE COMPLIANCE ISSUED BY GRADING AGENCY.

2. PROVIDE DRESSED LUMBER, S4S, UNLESS OTHERWISE INDICATED.

B. INSPECTION AGENCIES: INSPECTION AGENCIES AND THE APPLICABLE USED TO REFERENCED THEM WITH LUMBER GRADES AND SPECIES PER 98B-NORTH CAROLINA INSPECTION BUREAU.

C. GRADE STAMPS: PROVIDE LUMBER WITH EACH FACE FACTORY-MARKED WITH GRADE STAMP OF INSPECTION AGENCY, GRADE, SPECIES, MOISTURE CONTENT AND MILL.

2.2 DIMENSION LUMBER AND BOARDS FOR CONCEALED CONDITIONS

A. SPECIES: SPRUCE PINE FIR.

B. MOISTURE CONTENT: S-DRY 10 OR MC 10/19 PERCENT MAXIMUM MOISTURE CONTENT.

C. GRADE: STRUCTURAL LUMBER, NO. 2 OR STANDARD GRADE. BOARDS: NO. 2 OR STANDARD GRADE.

2.3 STEEL AND IRON

A. TURNING BARS, PLATES, AND OTHER CAST IRON MEMBERS PER ICC AC-207.

2.5 STEEL, AND IRON FINISHES

A. GALVANIZED RAILINGS

1. PRE GALVANIZED EXTERIOR STEEL AND IRON RAILINGS, INCLUDING HARDWARE, AFTER FABRICATION.

2. COMPLY WITH ICC AC-207.

3. DO NOT QUENCH OR APPLY POST-GALVANIZING TREATMENTS THAT MIGHT INTERFERE WITH PAINT ADHESION.

PART 3 - EXECUTION

3.1 INSTALLATION

A. FIT EXPOSED CONNECTIONS TOGETHER TO FORM TIGHT, HARBLINE JOINTS.

B. PERFORM CUTTING, DRILLING, AND FITTING REQUIRED FOR INSTALLING RAILINGS. SET RAILINGS ACCURATELY IN LOCATION, ALIGNMENT, AND ELEVATION MEASURED FROM ESTABLISHED LINES AND LEVELS AND TOLERANCE OF 1/8".

1. SET POSTS PLUMB WITHIN A TOLERANCE OF 1/16 INCH IN 3 FEET.

2. ALIGN RAILS PER MANUFACTURER'S INSTRUCTIONS.

C. TOUCH-UP PAINTING: IMMEDIATELY AFTER ERECTION, CLEAN AND FILL WELDS, BOLT CONNECTIONS, AND ABRADED SURFACES OF SHOP PAINT, AND PAINT EXPOSED AREAS WITH THE SAME MATERIAL USED FOR SHOP PAINTING TO COMPLY WITH SSPC-PA 1 FOR TOUCH-UP SHOP PAINTED SURFACES.

END OF SECTION 06 10 00

ISSUE TABLE

No.	Date (m/d/yyyy)	Description
1	8/01/2023	RESPONSE TO CITY
2	9/04/2023	HEALTH COMMENTS
3	9/12/2023	RESPONSE TO CITY
4	9/12/2023	HEALTH COMMENTS

REVISIONS

No.	Date	Description
1	8/01/2023	RESPONSE TO CITY
2	9/04/2023	HEALTH COMMENTS
3	9/12/2023	RESPONSE TO CITY
4	9/12/2023	HEALTH COMMENTS

DRAWINGS REVISED AS PER DESIGN BULLETIN

No.	Date	Description
1	8/01/2023	RESPONSE TO CITY
2	9/04/2023	HEALTH COMMENTS
3	9/12/2023	RESPONSE TO CITY
4	9/12/2023	HEALTH COMMENTS

THIS DRAWING IS OWNED BY OR LICENSED FOR USE BY POPEYES LOUISIANA KITCHEN, OR ITS AFFILIATED OR RELATED COMPANIES AND MAY NOT BE REPRODUCED, USED, COPIED, REPRODUCED, DISSEMINATED, PUBLISHED OR TRANSMITTED IN ANY FORM OR BY ANY MEANS, EXCEPT WITH THE PRIOR WRITTEN CONSENT OF POPEYES LOUISIANA KITCHEN. COPYRIGHT INFRINGEMENT IS A VIOLATION OF FEDERAL LAW SUBJECT TO CRIMINAL AND CIVIL PENALTIES.

THE CONTRACTOR IS TO VERIFY ALL DIMENSIONS AND CONDITIONS ON THE PROJECT AND TO REPORT ANY DISCREPANCIES TO THE POPEYES LOUISIANA KITCHEN PRIOR TO THE START OF CONSTRUCTION. ANY DISCREPANCIES NOT REPORTED ARE NOT TO BE USED FOR CONSTRUCTION PURPOSES UNLESS INDICATED BY POPEYES LOUISIANA KITCHEN AS "ISSUED FOR CONSTRUCTION".



FINISH CARPENTRY **SECTION 06 20 00**

PART 1 - GENERAL

1.1 RELATED DOCUMENTS

A. DRAWINGS AND GENERAL PROVISIONS OF CONTRACT APPLY TO THIS SECTION.

1.2 DELIVERY, STORAGE AND HANDLING

A. DELIVERY AND STORAGE: KEEP MATERIALS UNDER COVER AND DRY. PROTECT AGAINST EXPOSURE TO WEATHER AND CONTACT WITH DAMP OR WET SURFACES. STACK LUMBER AS WELL AS PLYWOOD AND OTHER PANELS FLAT WITH SPACERS BETWEEN EACH PANEL. PROTECT AGAINST CONTACT WITH POLYETHYLENE AND SIMILAR MATERIALS.

1.3 INFORMATIONAL SUBMITTALS

A. ALL STRUCTURAL LUMBER CONSTRUCTION SHALL CONFORM TO THE LATEST, ADOPTED EDITIONS OF THE STANDARDS AND MATERIAL SPECIFICATIONS REFERENCED HEREIN.

PART 2 - PRODUCTS

2.1 MATERIALS GENERAL: UNLESS OTHERWISE INDICATED, PROVIDE MATERIALS THAT COMPLY WITH THE CRITERIA SPECIFIED IN THIS SECTION.

A. LUMBER: COMPLY WITH REFERENCED UNIT MASONRY STANDARD FOR CONSTRUCTION AND THE FOLLOWING:

1. SPECIES AND GRADE: WESTERN RED CEDAR, CLEAR HEART, APM PREMIUM GRADE.

2. MAXIMUM MOISTURE CONTENT: 15 PERCENT.

3. FACE SURFACE: SURFACED (SMOOTH).

4. MATERIAL: SUITABLE FOR TRANSPARENT FINISH.

5. INDICATE ALL TRUSS AND PERMANENT BRACING REQUIREMENTS OF TRUSS MEMBERS. IN AREAS WHERE TRUSSES TOP CHORDS ARE NOT EXPOSED, INDICATE NOT REMOVED BRACING, INDICATE THE REQUIRED CHORD BRACING AND SPACING FOR ALL APPLICABLE LOAD CASES. INDICATE ANCHORAGE OF "CAP TRUSSES AND/OR TRAY".

6. SHOW SPURCE DETAILS AND BEARING DETAILS.

7. SUBMIT TRUSS SHOP DRAWINGS WHICH EXHIBIT THE SIZE OF THE ENGINEER RESPONSIBLE FOR THE TRUSS DESIGN.

8. INDICATE LOCATIONS, SIZES, AND MATERIALS FOR PERMANENT BRACING REQUIRED TO PREVENT BUCKLING OF INDIVIDUAL TRUSS MEMBERS UNDER LOADS.

9. INDICATE TYPE, SIZE, MATERIAL, FINISH, DESIGN VALUES, ORIENTATION, LOCATION OF METAL CONNECTOR PLATES AND HANGER CONNECTOR TYPES.

10. INDICATE ALL TRUSS AND PERMANENT BRACING REQUIREMENTS OF TRUSS MEMBERS. IN AREAS WHERE TRUSSES TOP CHORDS ARE NOT EXPOSED, INDICATE NOT REMOVED BRACING, INDICATE THE REQUIRED CHORD BRACING AND SPACING FOR ALL APPLICABLE LOAD CASES. INDICATE ANCHORAGE OF "CAP TRUSSES AND/OR TRAY".

11. SHOW SPURCE DETAILS AND BEARING DETAILS.

12. SUBMIT TRUSS SHOP DRAWINGS WHICH EXHIBIT THE SIZE OF THE ENGINEER RESPONSIBLE FOR THE TRUSS DESIGN.

13. INDICATE LOCATIONS, SIZES, AND MATERIALS FOR PERMANENT BRACING REQUIRED TO PREVENT BUCKLING OF INDIVIDUAL TRUSS MEMBERS UNDER LOADS.

14. INDICATE TYPE, SIZE, MATERIAL, FINISH, DESIGN VALUES, ORIENTATION, LOCATION OF METAL CONNECTOR PLATES AND HANGER CONNECTOR TYPES.

15. INDICATE ALL TRUSS AND PERMANENT BRACING REQUIREMENTS OF TRUSS MEMBERS. IN AREAS WHERE TRUSSES TOP CHORDS ARE NOT EXPOSED, INDICATE NOT REMOVED BRACING, INDICATE THE REQUIRED CHORD BRACING AND SPACING FOR ALL APPLICABLE LOAD CASES. INDICATE ANCHORAGE OF "CAP TRUSSES AND/OR TRAY".

16. SHOW SPURCE DETAILS AND BEARING DETAILS.

17. SUBMIT TRUSS SHOP DRAWINGS WHICH EXHIBIT THE SIZE OF THE ENGINEER RESPONSIBLE FOR THE TRUSS DESIGN.

18. INDICATE LOCATIONS, SIZES, AND MATERIALS FOR PERMANENT BRACING REQUIRED TO PREVENT BUCKLING OF INDIVIDUAL TRUSS MEMBERS UNDER LOADS.

19. INDICATE TYPE, SIZE, MATERIAL, FINISH, DESIGN VALUES, ORIENTATION, LOCATION OF METAL CONNECTOR PLATES AND HANGER CONNECTOR TYPES.

20. INDICATE ALL TRUSS AND PERMANENT BRACING REQUIREMENTS OF TRUSS MEMBERS. IN AREAS WHERE TRUSSES TOP CHORDS ARE NOT EXPOSED, INDICATE NOT REMOVED BRACING, INDICATE THE REQUIRED CHORD BRACING AND SPACING FOR ALL APPLICABLE LOAD CASES. INDICATE ANCHORAGE OF "CAP TRUSSES AND/OR TRAY".

21. SHOW SPURCE DETAILS AND BEARING DETAILS.

22. SUBMIT TRUSS SHOP DRAWINGS WHICH EXHIBIT THE SIZE OF THE ENGINEER RESPONSIBLE FOR THE TRUSS DESIGN.

23. INDICATE LOCATIONS, SIZES, AND MATERIALS FOR PERMANENT BRACING REQUIRED TO PREVENT BUCKLING OF INDIVIDUAL TRUSS MEMBERS UNDER LOADS.

24. INDICATE TYPE, SIZE, MATERIAL, FINISH, DESIGN VALUES, ORIENTATION, LOCATION OF METAL CONNECTOR PLATES AND HANGER CONNECTOR TYPES.

25. INDICATE ALL TRUSS AND PERMANENT BRACING REQUIREMENTS OF TRUSS MEMBERS. IN AREAS WHERE TRUSSES TOP CHORDS ARE NOT EXPOSED, INDICATE NOT REMOVED BRACING, INDICATE THE REQUIRED CHORD BRACING AND SPACING FOR ALL APPLICABLE LOAD CASES. INDICATE ANCHORAGE OF "CAP TRUSSES AND/OR TRAY".

26. SHOW SPURCE DETAILS AND BEARING DETAILS.

27. SUBMIT TRUSS SHOP DRAWINGS WHICH EXHIBIT THE SIZE OF THE ENGINEER RESPONSIBLE FOR THE TRUSS DESIGN.

28. INDICATE LOCATIONS, SIZES, AND MATERIALS FOR PERMANENT BRACING REQUIRED TO PREVENT BUCKLING OF INDIVID

1. AVAILABLE PRODUCTS SUBJECT TO COMPLIANCE WITH REQUIREMENTS. PRODUCTS THAT MAY BE INCORPORATED INTO THE WORK INCLUDE, BUT ARE NOT LIMITED TO THE FOLLOWING: 2. PRODUCTS SUBJECT TO COMPLIANCE WITH REQUIREMENTS. PROVIDE ONE OF THE FOLLOWING: a. POLYTRIM, INC., DURAMOR® b. VYCOL MOLDINGS LIMITED, PRO SERIES EXTERIOR MOLDINGS. c. RYOVAL CORR. AZEK. 3. DENSITY: NOT LESS THAN 31 LB/CU FT. (500 KG/CU M). 4. HEAT DEFLECTION TEMPERATURE: NOT LESS THAN 107° F (41° C), PER ASTM D 648. 5. FLAME-SMoke INDEX: 75 OR LESS, PER ASTM E 84.	2.3 VAPOR RETARDERS A. POLYETHYLENE VAPOR RETARDER: ASTM D4951, 8 MILS THICK WITH MAXIMUM PERM RATING OF 1.0 PERM. PROVIDE PRESSURE SENSITIVE TAPE OF TYPE RECOMMENDED BY VAPOR RETARDER MANUFACTURER FOR SEALING JOINTS AND PENETRATIONS.	2.4 PROTECTION A. GENERAL: PROTECT INSTALLATION AND VAPOR RETARDERS FROM DAMAGE DUE TO HARSH WEATHER EXPOSURE, PHYSICAL ABUSE, AND OTHER CAUSES. PROVIDE TEMPORARY COVERS OR ENCLOSURES WHERE INSTALLATION WILL BE SUBJECT TO ABUSE AND CANNOT BE CONCEALED AND PROTECTED BY PERMANENT CONSTRUCTION IMMEDIATELY AFTER INSTALLATION.	G. INSULATION THICKNESS 1. MINIMUM EPS INSULATION THICKNESS IS 1 INCH (25 MM). 2. MAXIMUM EPS INSULATION THICKNESS IS 2 INCHES (50.8 MM), EXCEPT AS NOTED BELOW FOR FIRE RESISTANCE RATED WALL ASSEMBLIES.	3.1 ACCEPTABLE INSTALLERS A. PREQUALIFY UNDER QUALITY ASSURANCE REQUIREMENTS OF THIS SPECIFICATION (SECTION 106 B).	E. SLUERING AND RASPPING OF INSULATION BOARD SURFACE 1. MAKE SURE INSULATION BOARDS ARE FULLY ADHERED TO THE SUBSTRATE BEFORE PROCEEDING TO STEPS 3.1E AND 3.1F. 2. FULLY OPEN JOINTS IN THE INSULATION BOARD LAYER WITH SLIVERS OF INSULATION OR THE SPRAY FOAM ADHESIVE. 3. RASPP THE INSULATION BOARD SURFACE TO ACHIEVE A SMOOTH, EVEN SURFACE AND TO REMOVE ANY ULTRAVIOLET RAY DRAMING.
---	---	--	--	--	--

2.5 EXTERIOR STANDING AND RUNNING TRIM A. PROVIDE TRIM PER THIS SECTION, UNLESS OTHERWISE INDICATED. B. SOFTWOOD LUMBER TRIM 1. SPECIES AND GRADE: EASTERN WHITE PINE, AWI PREMIUM GRADE. 2. MAXIMUM MOISTURE CONTENT: 15 PERCENT. 3. FACE SURFACE: SURFACED (SMOOTH). 4. MATERIAL, SUITABLE TO RECEIVE TRANSPARENT FINISH. C. HARDWOOD LUMBER TRIM 1. SPECIES AND GRADE: SELECT WHITE BIRCH, MIL CLEAR, AWI PREMIUM GRADE. 2. MAXIMUM MOISTURE CONTENT: 9 PERCENT. 3. FACE SURFACE: SURFACED (SMOOTH). 4. MATERIAL, SUITABLE TO RECEIVE TRANSPARENT FINISH. D. SOFTWOOD MOLDINGS: WMPMA HWMA 2, 4 GRADE, WOOD MOLDINGS: MAKE PATTERNS INCLUDING IN WMPMA HWMA 2. 1. SPECIES AND GRADE: EASTERN WHITE PINE, AWI PREMIUM GRADE. 2. MAXIMUM MOISTURE CONTENT: 15 PERCENT. 3. MATERIAL, SUITABLE TO RECEIVE TRANSPARENT FINISH. E. HARDWOOD MOLDINGS: WMPMA HWMA 2, 4 GRADE, WOOD MOLDINGS: MAKE PATTERNS INCLUDING IN WMPMA HWMA 2. 1. SPECIES AND GRADE: SELECT WHITE BIRCH, MIL CLEAR, AWI PREMIUM GRADE. 2. MAXIMUM MOISTURE CONTENT: 9 PERCENT. 3. MATERIAL, SUITABLE TO RECEIVE TRANSPARENT FINISH.	3.2 INSTALLATION A. INSTALL INSULATION IN ACCORDANCE WITH MANUFACTURER'S RECOMMENDATIONS FOR CONDITIONS OF INSTALLATION INDICATED. B. EXTEND INSULATION FULL THICKNESS OVER ENTIRE AREA TO BE INSULATED. CUT AND FIT TIGHTLY AROUND OBSTRUCTIONS. FILL ALL VOIDS. C. INSTALL INSULATION IN SINGLE LAYER OF ELECTRICAL THICKNESS. DO NOT INSTALL BROKEN, BOLD BOARD PANELS OR TORN BLANKET INSULATION. D. PROVIDE INSULATION CONTINUOUS BEHIND ELECTRICAL BOXES, CONDUIT AND PIPING AT EXTERIOR WALLS. E. INSTALL BLANKET TYPE INSULATION WITH TIGHT FITTING BUTT JOINTS. INSTALL FOIL FACING VAPOR BARRIER EXPOSED TO THE INTERIOR. PROVIDE SUPPLEMENTARY SUPPORT WHEN REQUIRED TO MAINTAIN INSULATION IN PERMANENT PROPER LOCATION. F. INSTALL BLANKET TYPE INSULATION LOCATED NEAR BOTTOM CHORD OF ROOF TRUSS OVER A WIRE MESH SUPPORT PLANE WHICH IS SECURED TO THE ROOF TRUSS MEMBER. INSTALL FOIL FACING VAPOR BARRIER EXPOSED TO THE INTERIOR. WIRE MESH TO BE FURNISHED AND INSTALLED IN ACCORDANCE WITH THE BLANKET TYPE INSULATION MANUFACTURER'S RECOMMENDATIONS. G. INSTALL FIRESTOPPING MATERIALS IN ACCORDANCE WITH MANUFACTURER'S INSTRUCTIONS TO MAINTAIN FIRE SEPARATIONS INDICATED. INSTALL FIRESTOPPING INSULATION OF PROPER SIZE AND THICKNESS WITH BRACKETS OR SANDING BLOCKS IN SPACES AS NEEDED AND NOT MORE THAN 24" ON CENTER. FILL SAFE-AREA. FILL ALL VOIDS. PROVIDE CONTINUITY OF FIRE SAFETY SYSTEMS AS INDICATED.	1.5 PERFORMANCE REQUIREMENTS A. COMPLY WITH ASTM E 2376 (PARANITRILE BARRIER) AND ASTM E 2386 (EPS).	1.6 QUALITY ASSURANCE A. MANUFACTURER REQUIREMENTS 1. MEMBER IN GOOD STANDING OF THE EPS INDUSTRY MEMBERS ASSOCIATION (EMA). 2. ARMOURSTRE BARRIER AND EPS MANUFACTURER FOR A MINIMUM OF THIRTY (30) SITE MAINTENANCE LABORATORY. MCKOUP SMALL JOINTS WITH. 3. MANUFACTURING FACILITIES ISO 9001:2008 CERTIFIED QUALITY SYSTEM AND ISO 14001:2004 CERTIFIED ENVIRONMENTAL MANAGEMENT SYSTEM. B. CONTRACTOR REQUIREMENTS 1. ENGAGED IN APPLICATION OF SIMILAR SYSTEMS FOR A MINIMUM OF THREE (3) YEARS. 2. KNOWLEDGEABLE IN THE PROPER USE AND HANDLING OF STO MATERIALS AND THE PROPER EQUIPMENT, MANPOWER AND SUPERVISION ON THE JOB SITE TO INSTALL THE SYSTEM IN COMPLIANCE WITH STS PUBLISHED SPECIFICATIONS AND DESIGN OF MANUFACTURER'S PLANS AND SPECIFICATIONS. C. INSULATION BOARD MANUFACTURER REQUIREMENTS 1. EPS BOARD LISTED BY AN APPROVED AGENCY. 2. EPS BOARD MANUFACTURED UNDER STO LICENSING AGREEMENT AND RECOGNIZED BY STO AS BEING CAPABLE OF PRODUCING EPS INSULATION BOARD TO MEET EPS REQUIREMENTS. 3. EPS BOARD LABELED WITH THE INFORMATION REQUIRED BY STO, THE APPROVED LISTING AGENCY, AND THE APPROVED BUILDING CODE. D. MCKOUP TESTING 1. CONTRACTOR FULL-SCALE MOCK-UP OF TYPICAL ARMOURSTRE BARRIER AND EPS/STO WALL ASSEMBLY WITH SPECIFIED TOOLS AND MATERIALS AND TEST AIR AND WATER INTRUSION AND STRUCTURAL PERFORMANCE IN ACCORDANCE WITH ASTM E 281, ASTM E 331 AND ASTM E 330, RESPECTIVELY, THROUGH INDEPENDENT LABORATORY. MCKOUP SMALL JOINTS WITH REQUIREMENTS OF PROJECT SPECIFICATIONS. WHERE MCKOUP IS TESTED AT JOB SITE MAINTENANCE LABORATORY, MCKOUP SMALL JOINTS WITH TESTING OF APPROVED MCKOUP-UP FOR REPLICATION DURING AND AFTER CONSTRUCTION. E. INSPECTIONS 1. PROVIDE INDEPENDENT THIRD PARTY INSPECTION WHERE REQUIRED BY CODE OR CONTRACT DOCUMENTS. 2. CONDUCT INSPECTIONS IN ACCORDANCE WITH CODE REQUIREMENTS AND CONTRACT DOCUMENTS. F. DELIVERY, STORAGE AND HANDLING A. DELIVER ALL MATERIALS IN THEIR ORIGINAL SEALED CONTAINERS BEARING MANUFACTURER'S NAME AND IDENTIFICATION OF PRODUCT. B. PROTECT PACKAGING (PAL PRODUCTS) FROM FREEZING AND TEMPERATURES IN EXCESS OF +10° F (5° C). STORAGE AND DELIVERY TO BE IN ORIGINAL PACKAGING. C. PROTECT PORTLAND CEMENT BASED MATERIALS (GRAB PRODUCTS) FROM MOISTURE AND HUMIDITY. STORE UNDER COVER OF THE GROUND IN A DRY LOCATION. F. 2.0 PROJECT SITE CONDITIONS A. MAINTAIN AMBIENT AND SURFACE TEMPERATURES ABOVE 40° F (4° C) DURING APPLICATION AND DRYING PERIOD. MINIMUM 24 HOURS AFTER APPLICATION OF ARMOURSTRE BARRIER AND EPS PRODUCTS. B. PROVIDE SUPPLEMENTARY HEAT FOR INSTALLATION IN TEMPERATURES LESS THAN 40° F (4° C). C. PROVIDE PROTECTION OF SURROUNDING AREAS AND ADJACENT SURFACES FROM APPLICATION OF PRODUCTS. F. 3.0 COORDINATION/SEQUENCING A. PROVIDE SITE GRADING SUCH THAT THE EPS TERMINATES ABOVE GRADE A MINIMUM OF 4 INCHES (100 MM) OR AS REQUIRED BY CODE. B. COORDINATE INSTALLATION OF FOUNDATION WATERPROOFING, ROOFING MEMBRANE, WINDOWS, DOORS AND OTHER WALL PENETRATIONS TO PROVIDE A CONTINUOUS CONNECTED AIR AND MOISTURE BARRIER. C. PROVIDE PROTECTION OF REBORN OPENINGS BEFORE INSTALLING WINDOWS, DOORS, AND OTHER PENETRATIONS THROUGH THE WALL. D. INSTALL WINDOW AND DOOR HEAD FLASHING IMMEDIATELY AFTER WINDOWS AND DOORS ARE REELED. E. INSTALL DIVERTER FLASHINGS WHEREVER WATER CAN ENTER THE WALL ASSEMBLY TO DIRECT WATER TO THE EXTERIOR. F. INSTALL SPICES OR RIE RISERS FROM ARMOURSTRE BARRIER OVER BACK LEG OF FLASHINGS, STARTER TRACKS, AND SIMILAR DETAILS TO FORM A SHIELD THAT DIRECTS INCIDENTIAL WATER TO THE EXTERIOR. G. INSTALL COPINGS AND SEALANT IMMEDIATELY AFTER INSTALLATION OF THE EPS WITH STOGUARD MESH TO PREVENT WATER FROM PENETRATING THROUGH THE WALL. WHERE APPLICABLE, IT IS APPLIED AGAINST THE BASE COAT OR PRIMED BASE COAT SURFACE. H. STO GOLD FILL: READY MIXED COATING OF SPRAY OR TROWEL, OR HANF FOR ROUGH OPENING PROTECTION OF FRAME WALLS AND JOINT TREATMENT OF SHEATHING WHEN USED WITH STOGUARD MESH. ALSO USED AS A DETAIL COMPONENT WITH STOGUARD MESH TO SEAL OVER BACK FLANGE OF STARTER TRACK, FLASHING, AND SIMILAR SHIP LAP DETAILS. I. SCHEDULE WORK SUCH THAT ARMOURSTRE BARRIER IS EXPOSED TO WEATHER NO LONGER THAN 90 DAYS OF STO GOLD COAT USE. 90 DAYS IF WEATHER IS USED. ATTACH PENETRATIONS THROUGH THE EPS TO STRUCTURAL SUPPORT AND PROVIDE WATER TIGHT SEAL AT PENETRATIONS. F. 4.0 WARRANTY A. PROVIDE MANUFACTURER'S STANDARD WARRANTY.
---	---	---	---

EXTERIOR INSULATION AND SECTION 07 24 00 FINISH SYSTEMS

PART 1 - GENERAL

1.1 SUMMARY

- A. PROVIDE AIR AND MOISTURE BARRIER, AND COMPATIBLE EPS FOR VERTICAL ABOVE GRADE EXTERIOR WALLS.
- B. RELATED SECTIONS:
 - SECTION 05 10: SHEATHING
 - SECTION 07 00: SHEET METAL FLASHING AND TRIM
 - SECTION 08 11: DOOR AND WINDOW FRAMES
 - SECTION 08 13: ALUMINUM ENTRANCES AND STOREFRONT WINDOWS
- C. MANUFACTURER'S SPECIFICATIONS, DETAILS, INSTALLATION INSTRUCTIONS AND PRODUCT DATA.
- D. APPLICATOR'S INDUSTRY TRAINING CREDENTIALS.
- E. SAMPLES FOR APPROVAL, AS DIRECTED BY ARCHITECT OR OWNER.
- F. SEALANT MANUFACTURER'S CERTIFICATE OF COMPLIANCE WITH ASTM C 1382.
- G. PREPARE AND SUBMIT PROJECT-SPECIFIC DETAILS (WHEN REQUIRED BY CONTRACT DOCUMENTS).

1.2 SUBMITTALS

- A. MANUFACTURER'S SPECIFICATIONS, DETAILS, INSTALLATION INSTRUCTIONS AND PRODUCT DATA.
- B. MANUFACTURER'S COMPANY COMPLIANCE REPORT.
- C. MANUFACTURER'S STANDARD WARRANTY.
- D. APPLICATOR'S INDUSTRY TRAINING CREDENTIALS.
- E. SAMPLES FOR APPROVAL, AS DIRECTED BY ARCHITECT OR OWNER.
- F. SEALANT MANUFACTURER'S CERTIFICATE OF COMPLIANCE WITH ASTM C 1382.
- G. PREPARE AND SUBMIT PROJECT-SPECIFIC DETAILS (WHEN REQUIRED BY CONTRACT DOCUMENTS).

1.3 REFERENCES

- A. ASTM STANDARDS:
 - ASTM C 578 SPECIFICATION FOR DETERMINING CELLULAR POLYSTYRENE THERMAL CONDUCTIVITY.
 - ASTM C 1360 TEST METHOD FOR DETERMINING TENSILE ADHESION PERFORMANCE OF SEALANTS WHEN USED IN EXTERIOR INSULATION AND FINISH SYSTEMS (EPS) JOINTS.
 - ASTM E 84 TEST METHOD FOR SURFACE BURNING CHARACTERISTICS OF BUILDING MATERIALS.
 - ASTM E 119 TEST METHOD FOR DETERMINING THERMAL TRANSMISSION OF MATERIALS.
 - ASTM E 1196 TEST METHOD FOR FIELD TESTS OF BUILDING CONSTRUCTION AND MATERIALS.
 - ASTM E 223 TEST METHOD FOR EVALUATING THE TENSILE-ADHESION PERFORMANCE OF AN EXTERIOR INSULATION AND FINISH SYSTEM (EIFS).
 - ASTM E 273 TEST METHOD FOR DETERMINING THE PERMEANCE OF BUILDING MATERIALS.
 - ASTM E 2731 TEST METHOD FOR DETERMINING THE DRAINAGE EFFICIENCY OF EXTERIOR INSULATION AND FINISH SYSTEM (EIFS) CLAD WALL ASSEMBLIES.
 - ASTM E 2821 STANDARD TEST METHOD FOR DETERMINING AIR LEAKAGE OF AIR BARRIER ASSEMBLIES.
 - ASTM E 2822 STANDARD TEST METHOD FOR DETERMINING AIR LEAKAGE OF AIR BARRIER ASSEMBLIES.
 - ASTM E 2823 STANDARD TEST METHOD FOR FREEZE-THAW RESISTANCE OF EXTERIOR INSULATION AND FINISH SYSTEMS (EIFS) AND WATER RESISTIVE BARRIER COATINGS.
 - ASTM E 2824 TEST METHOD FOR SURFACE BURNING CHARACTERISTICS OF BUILDING MATERIALS.
 - ASTM E 2825 TEST METHOD FOR DETERMINING THE PERMEANCE OF BUILDING MATERIALS.
 - ASTM E 2826 TEST METHOD FOR DETERMINING THE PERMEANCE OF BUILDING MATERIALS.
 - ASTM E 2827 TEST METHOD FOR DETERMINING THE PERMEANCE OF BUILDING MATERIALS.
 - ASTM E 2828 TEST METHOD FOR DETERMINING THE PERMEANCE OF BUILDING MATERIALS.
 - ASTM E 2829 TEST METHOD FOR DETERMINING THE PERMEANCE OF BUILDING MATERIALS.
 - ASTM E 2830 TEST METHOD FOR DETERMINING THE PERMEANCE OF BUILDING MATERIALS.
 - ASTM E 2831 TEST METHOD FOR DETERMINING THE PERMEANCE OF BUILDING MATERIALS.
 - ASTM E 2832 TEST METHOD FOR DETERMINING THE PERMEANCE OF BUILDING MATERIALS.
 - ASTM E 2833 TEST METHOD FOR DETERMINING THE PERMEANCE OF BUILDING MATERIALS.
 - ASTM E 2834 TEST METHOD FOR DETERMINING THE PERMEANCE OF BUILDING MATERIALS.
 - ASTM E 2835 TEST METHOD FOR DETERMINING THE PERMEANCE OF BUILDING MATERIALS.
 - ASTM E 2836 TEST METHOD FOR DETERMINING THE PERMEANCE OF BUILDING MATERIALS.
 - ASTM E 2837 TEST METHOD FOR DETERMINING THE PERMEANCE OF BUILDING MATERIALS.
 - ASTM E 2838 TEST METHOD FOR DETERMINING THE PERMEANCE OF BUILDING MATERIALS.
 - ASTM E 2839 TEST METHOD FOR DETERMINING THE PERMEANCE OF BUILDING MATERIALS.
 - ASTM E 2840 TEST METHOD FOR DETERMINING THE PERMEANCE OF BUILDING MATERIALS.
 - ASTM E 2841 TEST METHOD FOR DETERMINING THE PERMEANCE OF BUILDING MATERIALS.
 - ASTM E 2842 TEST METHOD FOR DETERMINING THE PERMEANCE OF BUILDING MATERIALS.
 - ASTM E 2843 TEST METHOD FOR DETERMINING THE PERMEANCE OF BUILDING MATERIALS.
 - ASTM E 2844 TEST METHOD FOR DETERMINING THE PERMEANCE OF BUILDING MATERIALS.
 - ASTM E 2845 TEST METHOD FOR DETERMINING THE PERMEANCE OF BUILDING MATERIALS.
 - ASTM E 2846 TEST METHOD FOR DETERMINING THE PERMEANCE OF BUILDING MATERIALS.
 - ASTM E 2847 TEST METHOD FOR DETERMINING THE PERMEANCE OF BUILDING MATERIALS.
 - ASTM E 2848 TEST METHOD FOR DETERMINING THE PERMEANCE OF BUILDING MATERIALS.
 - ASTM E 2849 TEST METHOD FOR DETERMINING THE PERMEANCE OF BUILDING MATERIALS.
 - ASTM E 2850 TEST METHOD FOR DETERMINING THE PERMEANCE OF BUILDING MATERIALS.
 - ASTM E 2851 TEST METHOD FOR DETERMINING THE PERMEANCE OF BUILDING MATERIALS.
 - ASTM E 2852 TEST METHOD FOR DETERMINING THE PERMEANCE OF BUILDING MATERIALS.
 - ASTM E 2853 TEST METHOD FOR DETERMINING THE PERMEANCE OF BUILDING MATERIALS.
 - ASTM E 2854 TEST METHOD FOR DETERMINING THE PERMEANCE OF BUILDING MATERIALS.
 - ASTM E 2855 TEST METHOD FOR DETERMINING THE PERMEANCE OF BUILDING MATERIALS.
 - ASTM E 2856 TEST METHOD FOR DETERMINING THE PERMEANCE OF BUILDING MATERIALS.
 - ASTM E 2857 TEST METHOD FOR DETERMINING THE PERMEANCE OF BUILDING MATERIALS.
 - ASTM E 2858 TEST METHOD FOR DETERMINING THE PERMEANCE OF BUILDING MATERIALS.
 - ASTM E 2859 TEST METHOD FOR DETERMINING THE PERMEANCE OF BUILDING MATERIALS.
 - ASTM E 2860 TEST METHOD FOR DETERMINING THE PERMEANCE OF BUILDING MATERIALS.
 - ASTM E 2861 TEST METHOD FOR DETERMINING THE PERMEANCE OF BUILDING MATERIALS.
 - ASTM E 2862 TEST METHOD FOR DETERMINING THE PERMEANCE OF BUILDING MATERIALS.
 - ASTM E 2863 TEST METHOD FOR DETERMINING THE PERMEANCE OF BUILDING MATERIALS.
 - ASTM E 2864 TEST METHOD FOR DETERMINING THE PERMEANCE OF BUILDING MATERIALS.
 - ASTM E 2865 TEST METHOD FOR DETERMINING THE PERMEANCE OF BUILDING MATERIALS.
 - ASTM E 2866 TEST METHOD FOR DETERMINING THE PERMEANCE OF BUILDING MATERIALS.
 - ASTM E 2867 TEST METHOD FOR DETERMINING THE PERMEANCE OF BUILDING MATERIALS.
 - ASTM E 2868 TEST METHOD FOR DETERMINING THE PERMEANCE OF BUILDING MATERIALS.
 - ASTM E 2869 TEST METHOD FOR DETERMINING THE PERMEANCE OF BUILDING MATERIALS.
 - ASTM E 2870 TEST METHOD FOR DETERMINING THE PERMEANCE OF BUILDING MATERIALS.
 - ASTM E 2871 TEST METHOD FOR DETERMINING THE PERMEANCE OF BUILDING MATERIALS.
 - ASTM E 2872 TEST METHOD FOR DETERMINING THE PERMEANCE OF BUILDING MATERIALS.
 - ASTM E 2873 TEST METHOD FOR DETERMINING THE PERMEANCE OF BUILDING MATERIALS.
 - ASTM E 2874 TEST METHOD FOR DETERMINING THE PERMEANCE OF BUILDING MATERIALS.
 - ASTM E 2875 TEST METHOD FOR DETERMINING THE PERMEANCE OF BUILDING MATERIALS.
 - ASTM E 2876 TEST METHOD FOR DETERMINING THE PERMEANCE OF BUILDING MATERIALS.
 - ASTM E 2877 TEST METHOD FOR DETERMINING THE PERMEANCE OF BUILDING MATERIALS.
 - ASTM E 2878 TEST METHOD FOR DETERMINING THE PERMEANCE OF BUILDING MATERIALS.
 - ASTM E 2879 TEST METHOD FOR DETERMINING THE PERMEANCE OF BUILDING MATERIALS.
 - ASTM E 2880 TEST METHOD FOR DETERMINING THE PERMEANCE OF BUILDING MATERIALS.
 - ASTM E 2881 TEST METHOD FOR DETERMINING THE PERMEANCE OF BUILDING MATERIALS.
 - ASTM E 2882 TEST METHOD FOR DETERMINING THE PERMEANCE OF BUILDING MATERIALS.
 - ASTM E 2883 TEST METHOD FOR DETERMINING THE PERMEANCE OF BUILDING MATERIALS.
 - ASTM E 2884 TEST METHOD FOR DETERMINING THE PERMEANCE OF BUILDING MATERIALS.
 - ASTM E 2885 TEST METHOD FOR DETERMINING THE PERMEANCE OF BUILDING MATERIALS.
 - ASTM E 2886 TEST METHOD FOR DETERMINING THE PERMEANCE OF BUILDING MATERIALS.
 - ASTM E 2887 TEST METHOD FOR DETERMINING THE PERMEANCE OF BUILDING MATERIALS.
 - ASTM E 2888 TEST METHOD FOR DETERMINING THE PERMEANCE OF BUILDING MATERIALS.
 - ASTM E 2889 TEST METHOD FOR DETERMINING THE PERMEANCE OF BUILDING MATERIALS.
 - ASTM E 2890 TEST METHOD FOR DETERMINING THE PERMEANCE OF BUILDING MATERIALS.
 - ASTM E 2891 TEST METHOD FOR DETERMINING THE PERMEANCE OF BUILDING MATERIALS.
 - ASTM E 2892 TEST METHOD FOR DETERMINING THE PERMEANCE OF BUILDING MATERIALS.
 - ASTM E 2893 TEST METHOD FOR DETERMINING THE PERMEANCE OF BUILDING MATERIALS.
 - ASTM E 2894 TEST METHOD FOR DETERMINING THE PERMEANCE OF BUILDING MATERIALS.
 - ASTM E 2895 TEST METHOD FOR DETERMINING THE PERMEANCE OF BUILDING MATERIALS.
 - ASTM E 2896 TEST METHOD FOR DETERMINING THE PERMEANCE OF BUILDING MATERIALS.
 - ASTM E 2897 TEST METHOD FOR DETERMINING THE PERMEANCE OF BUILDING MATERIALS.
 - ASTM E 2898 TEST METHOD FOR DETERMINING THE PERMEANCE OF BUILDING MATERIALS.
 - ASTM E 2899 TEST METHOD FOR DETERMINING THE PERMEANCE OF BUILDING MATERIALS.
 - ASTM E 2900 TEST METHOD FOR DETERMINING THE PERMEANCE OF BUILDING MATERIALS.

1.4 DESIGN REQUIREMENTS

- A. WIND LOAD
 - DESIGN FOR MAXIMUM ALLOWABLE SYSTEM DEFLECTION, NORMAL TO THE PLANE OF THE WALL, OF 1/400.
 - DESIGN FOR WIND LOAD IN CONFORMANCE WITH CODE REQUIREMENTS.
 - MAXIMUM WIND LOAD RESISTANCE: 144 PSF. PROVIDE STRUCTURAL SUPPORTS AND SHEATHING/SHEATHING ATTACHMENT ARE ADEQUATE TO RESIST THESE PRESSURES.
- B. MOISTURE CONTROL
 - PREVENT THE ACCUMULATION OF WATER BEHIND THE EPS OR INTO THE WALL ASSEMBLY, EITHER BY CONDENSATION OR LEAKAGE THROUGH THE WALL CONSTRUCTION, IN THE DESIGN AND INSTALLING OF THE WALL ASSEMBLY.
 - PROVIDE FLASHING TO DIRECT WATER TO THE EXTERIOR WHERE IT IS LIKELY TO PENETRATE COMPONENTS IN THE WALL ASSEMBLY, INCLUDING ABOVE WINDOW AND DOOR HEADS, BEHIND WINDOW AND DOOR SILLS, A ROOF-WALL INTERSECTIONS, DECKS, ADJUSTERS OF FLOOR WALLS WITH HIGHER WALLS, ABOVE PROJECTING FEATURES, AT LOWER WALLS, AND AT THE BASE OF THE WALL.
 - AIR LEAKAGE PREVENTION: PROVIDE CONTINUITY OF THE AIR BARRIER SYSTEM AT FOUNDATION, ROOF, WINDOWS, DOORS, AND OTHER PENETRATIONS THROUGH THE WALL WITH CONNECTING AND COMPATIBLE AIR BARRIER COMPONENTS TO MINIMIZE CONDENSATION AND LEAKAGE CAUSED BY AIR MOVEMENT.
 - VAPOR DIFFUSION AND CONDENSATION: PERFORM A DEW POINT ANALYSIS AND/OR DYNAMIC HYGROTHERMAL MODELING OF THE WALL ASSEMBLY TO DETERMINE THE POTENTIAL FOR ACCUMULATION OF MOISTURE IN THE WALL ASSEMBLY BY DIFFUSION. ADJUST INSULATION THICKNESS AND/OR OTHER WALL ASSEMBLY COMPONENTS ACCORDINGLY TO MINIMIZE RISK. AVOID THE USE OF VAPOR RETARDERS ON THE INTERIOR SIDE OF THE WALL IN WARM.
- C. IMPACT RESISTANCE
 - PROVIDE LAYERS OF STO MESH TO A MINIMUM HEIGHT OF 2'-0" ABOVE GRADE AT EXTERIOR PERIMETER.
- D. JOINTS
 - PROVIDE MINIMUM 3/8 INCH (9.5 MM) WIDE JOINTS IN THE EPS WHERE THEY EXIST IN THE SUBSTRATE OR SUPPORTING CONSTRUCTION, WHERE THE CLADDING JOINTS DISRUPT THE CONSTRUCTION OF THE WALL ASSEMBLY AT CHANGES IN BUILDING HEIGHT, AT EXPANSION, CONTRACTION, AND COLD JOINTS BETWEEN INSULATION AND FLOOR LINES IN A JOINT. PROVIDE JOINT SEALANT CONSTRUCTION, SIZE JOINTS TO CORRESPOND WITH ANTICIPATED MOVEMENT. ALSO TERMINATE EDGES OF EPS WITH JOINT EDGES OF THROUGH WALL EXPANSION JOINTS AND SIMILAR JOINTS IN CONSTRUCTION, REFER TO STO DETAILS.
 - PROVIDE MINIMUM 1/2 INCH (12.7 MM) WIDE PERIMETER SEALANT JOINTS AT ALL PENETRATIONS THROUGH THE EPS (WINDOWS, DOORS, MECHANICAL, ELECTRICAL, AND OTHER PENETRATIONS, ETC).
 - PROVIDE COMPATIBLE BACKER ROD AND SEALANT THAT HAS BEEN EVALUATED IN ACCORDANCE WITH ASTM C 1382, AND THAT MEETS MINIMUM 5% ELONGATION AFTER CONDITIONING.
 2. PROVIDE JOINTS SO THAT AIR BARRIER CONTINUITY IS MAINTAINED ACROSS THE JOINT, AND DRAIN JOINTS TO THE EXTERIOR, OR PROVIDE OTHER MEANS TO PREVENT OR CONTROL WATER INFILTRATION AT JOINTS.
- E. GRADE CONDITION
 - PROVIDE MINIMUM 6 INCH (152 MM) CLEARANCE ABOVE GRADE OR AS REQUIRED BY CODE.
- F. TRIM, PROJECTING ARCHITECTURAL FEATURES AND REVEALS
 - ALL TRIM AND PROJECTING ARCHITECTURAL FEATURES MUST HAVE A MINIMUM 1/2" (12.7) SLOPE ALONG THEIR TOP SURFACE. ALL REVEALS MUST HAVE MINIMUM 1/4" (6.4) MIN INSULATION THICKNESS AT THE BOTTOM OF THE REVEAL. ALL HORIZONTAL REVEALS MUST HAVE A MINIMUM (2 1/2") SLOPE ALONG THEIR BOTTOM SURFACE. INCREASE SLOPE FOR OPENING CLIMATES TO PREVENT ACCUMULATION OF DEBRIS AND WATER ON SURFACE. WHERE TRANSPIRABLE OR PERMEABLE SURFACES OF REVEALS PROJECTS MORE THAN 2 INCHES (51 MM) FROM THE FACE OF THE EPS WALL PLANE, PROTECT THE SURFACE FROM DAMAGE AND WEAR. PERIODIC INSPECTIONS AND INCREASED MAINTENANCE MAY BE REQUIRED TO MAINTAIN SURFACE INTEGRITY OF THE EPS FINISH ON WEATHER EXPOSED SURFACE. SURFACES LIMIT PROJECTING FEATURES TO EASILY ACCESSIBLE AREAS AND LIMIT TOTAL AREA TO FACILITATE AND MINIMIZE MAINTENANCE. REFER TO STO DETAILS.
 - DO NOT USE THE EPS ON WEATHER EXPOSED PROJECTING FEATURES, COLLARS OR OTHER PROJECTING FEATURES UNLESS SUPPORTED BY FRAMING OR OTHER STRUCTURAL SUPPORT AND PROTECTED WITH METAL COPING OR FLASHING. REFER TO STO DETAIL 10.61.

2.1 MANUFACTURERS

- A. EXTRUDIBLE POLYSTYRENE BOARD INSULATION: OWENS CORNING OR DOW CHEMICAL COMPANY OR OVERSFO FORM PRODUCTS.
- B. BUTT INSULATION: OWENS CORNING OR JOHNS MANVILLE INTERNATIONAL, INC. OR CERTAINTED PRODUCTS CORPORATION.

2.2 INSULATING MATERIALS

- A. GENERAL: PROVIDE INSULATING MATERIALS AS SCHEDULED IN THE DRAWINGS, THAT COMPLY WITH REQUIREMENTS AND WITH REFERENCED STANDARDS, PREPARED NOTES, NOTES TO BE APPLIED TO APPLICATIONS INDICATED, SELECTED FROM MANUFACTURER'S STANDARD THICKNESS, WIDTHS AND LENGTHS.
- B. EXTRUDIBLE POLYSTYRENE BOARD INSULATION: RIGID, CELLULAR POLYSTYRENE THERMAL INSULATION WITH CLOSED CELLS AND INTERIOR HIGH DENSITY BOND FORMED BY THE EXPANSION OF POLYSTYRENE BEZES BASED IN AN EXTRUSION PROCESS TO COMPLY WITH ASTM C 578 FOR TYPE INDICATED, WITH STEAR ACIDE RIVALUES OF 5.4 AND 6.1 AT 0.4 AND 0.75 DEG OF 0.4 AND 23.9 DEG C, RESPECTIVELY, AND TYPE IV, 1.6 CFZ (1.6) DENSITY BEZES DENSITY INDICATED. SURFACE BURNING CHARACTERISTICS: MAXIMUM FLAME SPREAD AND SMOKE DEVELOPMENT VALUES OF 75 AND 450, RESPECTIVELY. FOR EXTRUDIBLE INSULATION FLAME SPREAD SHALL NOT EXCEED 25.
- C. BUTT INSULATION: GLASS FIBER BLANKET TYPE INSULATION: TYPE B FOLYFORMAR LAMINATE CLASS A ASTM C861 AND FLAME SPREAD OF 25 OR LESS AND SMOKE DEVELOPMENT OF 50 OR LESS. MANUFACTURER'S STANDARD LENGTHS AND WIDTHS REQUIRED TO COORDINATE WITH SPACES INSULATED.
- D. MINERAL FIBER FIRESTOPPING INSULATION: UNITED STATES OYSM CO. "THERMAPER SAFING INSULATION" OR APPROVED EQUAL. TYPE 1 SAFING. MANUFACTURER'S STANDARD LENGTHS, WIDTHS AND THICKNESS. PROVIDE MANUFACTURER'S STANDARD IMPALPING STYLE GALVANIZED STEEL SAFING INSULATION CUPS AND BRACKETS. MATERIALS SHALL BE RATED NON-COMBUSTIBLE AS DEFINED BY NFPA WHEN TESTED IN ACCORDANCE WITH ASTM E 136.

2.3 PRODUCTS

- A. GENERAL: PROVIDE INSULATING MATERIALS AS SCHEDULED IN THE DRAWINGS, THAT COMPLY WITH REQUIREMENTS AND WITH REFERENCED STANDARDS, PREPARED NOTES, NOTES TO BE APPLIED TO APPLICATIONS INDICATED, SELECTED FROM MANUFACTURER'S STANDARD THICKNESS, WIDTHS AND LENGTHS.
- B. EXTRUDIBLE POLYSTYRENE BOARD INSULATION: RIGID, CELLULAR POLYSTYRENE THERMAL INSULATION WITH CLOSED CELLS AND INTERIOR HIGH DENSITY BOND FORMED BY THE EXPANSION OF POLYSTYRENE BEZES BASED IN AN EXTRUSION PROCESS TO COMPLY WITH ASTM C 578 FOR TYPE INDICATED, WITH STEAR ACIDE RIVALUES OF 5.4 AND 6.1 AT 0.4 AND 0.75 DEG OF 0.4 AND 23.9 DEG C, RESPECTIVELY, AND TYPE IV, 1.6 CFZ (1.6) DENSITY BEZES DENSITY INDICATED. SURFACE BURNING CHARACTERISTICS: MAXIMUM FLAME SPREAD AND SMOKE DEVELOPMENT VALUES OF 75 AND 450, RESPECTIVELY. FOR EXTRUDIBLE INSULATION FLAME SPREAD SHALL NOT EXCEED 25.
- C. BUTT INSULATION: GLASS FIBER BLANKET TYPE INSULATION: TYPE B FOLYFORMAR LAMINATE CLASS A ASTM C861 AND FLAME SPREAD OF 25 OR LESS AND SMOKE DEVELOPMENT OF 50 OR LESS. MANUFACTURER'S STANDARD LENGTHS AND WIDTHS REQUIRED TO COORDINATE WITH SPACES INSULATED.
- D. MINERAL FIBER FIRESTOPPING INSULATION: UNITED STATES OYSM CO. "THERMAPER SAFING INSULATION" OR APPROVED EQUAL. TYPE 1 SAFING. MANUFACTURER'S STANDARD LENGTHS, WIDTHS AND THICKNESS. PROVIDE MANUFACTURER'S STANDARD IMPALPING STYLE GALVANIZED STEEL SAFING INSULATION CUPS AND BRACKETS. MATERIALS SHALL BE RATED NON-COMBUSTIBLE AS DEFINED BY NFPA WHEN TESTED IN ACCORDANCE WITH ASTM E 136.

2.4 PROTECTION

- A. GENERAL: PROTECT INSTALLATION AND VAPOR RETARDERS FROM DAMAGE DUE TO HARSH WEATHER EXPOSURE, PHYSICAL ABUSE, AND OTHER CAUSES. PROVIDE TEMPORARY COVERS OR ENCLOSURES WHERE INSTALLATION WILL BE SUBJECT TO ABUSE AND CANNOT BE CONCEALED AND PROTECTED BY PERMANENT CONSTRUCTION IMMEDIATELY AFTER INSTALLATION.

2.5 EXTERIOR STANDING AND RUNNING TRIM

- A. PROVIDE TRIM PER THIS SECTION, UNLESS OTHERWISE INDICATED.
- B. SOFTWOOD LUMBER TRIM
 - SPECIES AND GRADE: EASTERN WHITE PINE, AWI PREMIUM GRADE.
 - MAXIMUM MOISTURE CONTENT: 15 PERCENT.
 - FACE SURFACE: SURFACED (SMOOTH).
 - MATERIAL, SUITABLE TO RECEIVE TRANSPARENT FINISH.
- C. HARDWOOD LUMBER TRIM
 - SPECIES AND GRADE: SELECT WHITE BIRCH, MIL CLEAR, AWI PREMIUM GRADE.
 - MAXIMUM MOISTURE CONTENT: 9 PERCENT.
 - FACE SURFACE: SURFACED (SMOOTH).
 - MATERIAL, SUITABLE TO RECEIVE TRANSPARENT FINISH.
- D. SOFTWOOD MOLDINGS: WMPMA HWMA 2, 4 GRADE, WOOD MOLDINGS: MAKE PATTERNS INCLUDING IN WMPMA HWMA 2.
 - SPECIES AND GRADE: EASTERN WHITE PINE, AWI PREMIUM GRADE.
 - MAXIMUM MOISTURE CONTENT: 15 PERCENT.
 - MATERIAL, SUITABLE TO RECEIVE TRANSPARENT FINISH.
- E. HARDWOOD MOLDINGS: WMPMA HWMA 2, 4 GRADE, WOOD MOLDINGS: MAKE PATTERNS INCLUDING IN WMPMA HWMA 2.
 - SPECIES AND GRADE: SELECT WHITE BIRCH, MIL CLEAR, AWI PREMIUM GRADE.
 - MAXIMUM MOISTURE CONTENT: 9 PERCENT.
 - MATERIAL, SUITABLE TO RECEIVE TRANSPARENT FINISH.

2.6 SHEET MATERIALS

- A. PROVIDE SHEET MATERIAL PER THIS SECTION, UNLESS OTHERWISE INDICATED.
- B. INTERIOR SOFTWOOD PLYWOOD
 - SPECIES AND GRADE: DOUGLAS FIR, AWI PREMIUM GRADE.
 - FACE SURFACE: SURFACED (SMOOTH) PRUNED AND SANGED.
- C. EXTERIOR MEDIUM DENSITY OVERLAY PLYWOOD
 - GRADE: PS-145 AWI PREMIUM VENEER GRADE.
 - VENEER CORE.
 - TYPE OF GLUE AS RECOMMENDED FOR APPLICATION.
- D. PAPER SATURATED WITH PHENOLIC RESIN SOLID FEA PAPER SATURATED BASE ONE SIDE ONLY AND EQUAL TO TOSEBENED AND PER SECTION 0909 (FANTON).
- E. WOOD FILLER: OIL BASE, TINTED TO MATCH SURFACE FINISH COLOR.
- F. HARDWARE
 - BMA 1/16 AS FOLLOWS: ALL HARDWARE TO BE AS SHOWN ON DRAWINGS. IF NOT SHOWN PROVIDE HARDWARE AS DIRECTED BY OWNER AND/OR AS REQUIRED FOR A COMPLETE INSTALLATION.
- G. FABRICATION
 - FACTORC TO AWI PREMIUM STANDARDS.
 - SHOP ASSEMBLY WORK FOR DELIVERY TO SITE, PERMITTING PASSAGE THROUGH BUILDING OPENINGS.
 - FIT INTERIOR EXPOSED SHEET MATERIAL EDGES WITH PLASTIC EDGING WHERE SHOWN NEVER LEAVE IN FINISHED EDGE EXPOSED TO WEAR.
 - WHEN NECESSARY TO CUT AND FIT INTERIOR EXPOSED MATERIALS WITH AMPLE ALLOWANCE FOR CUTTING. PROVIDE TRIM FOR SCRUBING AND SITE CUTTING.
- H. SHOP FINISHING
 - SAW WOOD SMOOTH AND SET EXPLOD NAILS AND SCREWS.
 - APPLY WOOD FINISH IN EXPOSED NAIL AND SCREW ENDITIONS.
 - DRY TOES TO RECEIVE TRANSPARENT FINISHES. USE WOOD FILLER WHEN MATCHES SURROUNDING SURFACES AND OF TYPES RECOMMENDED FOR APPLIED FINISHES.
 - FINISH WORK IN ACCORDANCE WITH AWI AS SHOWN ON DRAWINGS AND AS DIRECTED BY OWNER.

2.7 MISCELLANEOUS MATERIALS

- A. FOR FASTENER SPECIFICATIONS, SEE: ROUGH CARPENTRY - SECTION 05 10 00.
- B. GLUE: ALPHACETONE POLYURETHANE, OR RESINOLIC, WOOD GLUE.
- C. USE WOOD PRESERVATIVE TO A WOC CONTENT OF 30.0% OR LESS WHEN CALCULATED ACCORDING TO 40 CFR 99.20, SUBPART D (PFA METHOD 24).

2.8 ACCESSORIES

- 1. LUMBER FOR GRADING, BLOCKING, AND MISCELLANEOUS USE: SOFTWOOD LUMBER OF DOUGLAS FIR, UTILITY GRADE OR BETTER. SIZE AS REQUIRED FOR CONDITION UNLESS SHOWN OTHERWISE.
- 2. PLASTIC EDGE TRIM: EXTRUDED CORNER SHAPES, SMOOTH FINISH SUE LOOKING SERIATED TONGUE WIDTH TO MATCH COMPLEMENT THICKNESS, COLORS AS SELECTED BY ARCHITECT.
- 3. FRAMES: ALUMINUM PRIMER SMOOTH FINISH. FRAME IN ACCORDANCE WITH MANUFACTURER'S REQUIREMENT AND PER SECTION 0909 (FANTON).
- 4. WOOD FILLER: OIL BASE, TINTED TO MATCH SURFACE FINISH COLOR.
- 5. HARDWARE
 - BMA 1/16 AS FOLLOWS: ALL HARDWARE TO BE AS SHOWN ON DRAWINGS. IF NOT SHOWN PROVIDE HARDWARE AS DIRECTED BY OWNER AND/OR AS REQUIRED FOR A COMPLETE INSTALLATION.
- 6. FABRICATION
 - FACTORC TO AWI PREMIUM STANDARDS.
 - SHOP ASSEMBLY WORK FOR DELIVERY TO SITE, PERMITTING PASSAGE THROUGH BUILDING OPENINGS.
 - FIT INTERIOR EXPOSED SHEET MATERIAL EDGES WITH PLASTIC EDGING WHERE SHOWN NEVER LEAVE IN FINISHED EDGE EXPOSED TO WEAR.
 - WHEN NECESSARY TO CUT AND FIT INTERIOR EXPOSED MATERIALS WITH AMPLE ALLOWANCE FOR CUTTING. PROVIDE TRIM FOR SCRUBING AND SITE CUTTING.
- 7. SHOP FINISHING
 - SAW WOOD SMOOTH AND SET EXPLOD NAILS AND SCREWS.
 - APPLY WOOD FINISH IN EXPOSED NAIL AND SCREW ENDITIONS.
 - DRY TOES TO RECEIVE TRANSPARENT FINISHES. USE WOOD FILLER WHEN MATCHES SURROUNDING SURFACES AND OF TYPES RECOMMENDED FOR APPLIED FINISHES.
 - FINISH WORK IN ACCORDANCE WITH AWI AS SHOWN ON DRAWINGS AND AS DIRECTED BY OWNER.

2.9 REFERENCES

- A. ASTM STANDARDS:
 - ASTM C 578 SPECIFICATION FOR DETERMINING CELLULAR POLYSTYRENE THERMAL CONDUCTIVITY.
 - ASTM C 1360 TEST METHOD FOR DETERMINING TENSILE ADHESION PERFORMANCE OF SEALANTS WHEN USED IN EXTERIOR INSULATION AND FINISH SYSTEMS (EIFS) JOINTS.
 - ASTM E 84 TEST METHOD FOR SURFACE BURNING CHARACTERISTICS OF BUILDING MATERIALS.
 - ASTM E 119 TEST METHOD FOR DETERMINING THERMAL TRANSMISSION OF MATERIALS.
 - ASTM E 1196 TEST METHOD FOR FIELD TESTS OF BUILDING CONSTRUCTION AND MATERIALS.
 - ASTM E 223 TEST METHOD FOR EVALUATING THE TENSILE-ADHESION PERFORMANCE OF AN EXTERIOR INSULATION AND FINISH SYSTEM (EIFS).
 - ASTM E 273 TEST METHOD FOR DETERMINING THE PERMEANCE OF BUILDING MATERIALS.
 - ASTM E 2731 TEST METHOD FOR DETERMINING THE DRAINAGE EFFICIENCY OF EXTERIOR INSULATION AND FINISH SYSTEM (EIFS) CLAD WALL ASSEMBLIES.
 - ASTM E 2821 STANDARD TEST METHOD FOR DETERMINING AIR LEAKAGE OF AIR BARRIER ASSEMBLIES.
 - ASTM E 2822 STANDARD TEST METHOD FOR DETERMINING AIR LEAKAGE OF AIR BARRIER ASSEMBLIES.
 - ASTM E 2823 STANDARD TEST METHOD FOR FREEZE-THAW RESISTANCE OF EXTERIOR INSULATION AND FINISH SYSTEMS (EIFS) AND WATER RESISTIVE BARRIER COATINGS.
 - ASTM E 2824 TEST METHOD FOR SURFACE BURNING CHARACTERISTICS OF BUILDING MATERIALS.
 - ASTM E 2825 TEST METHOD FOR DETERMINING THE PERMEANCE OF BUILDING MATERIALS.
 - ASTM E 2826 TEST METHOD FOR DETERMINING THE PERMEANCE OF BUILDING MATERIALS.
 - ASTM E 2827 TEST METHOD FOR DETERMINING THE PERMEANCE OF BUILDING MATERIALS.
 - ASTM E 2828 TEST METHOD FOR DETERMINING THE PERMEANCE OF BUILDING MATERIALS.
 - ASTM E 2829 TEST METHOD FOR DETERMINING THE PERMEANCE OF BUILDING MATERIALS.
 - ASTM E 2830 TEST METHOD FOR DETERMINING THE PERMEANCE OF BUILDING MATERIALS.
 - ASTM E 2831 TEST METHOD FOR DETERMINING THE PERMEANCE OF BUILDING MATERIALS.
 - ASTM E 2832 TEST METHOD FOR DETERMINING THE PERMEANCE OF BUILDING MATERIALS.
 - ASTM E 2833 TEST METHOD FOR DETERMINING THE PERMEANCE OF BUILDING MATERIALS.
 - ASTM E 2834 TEST METHOD FOR DETERMINING THE PERMEANCE OF BUILDING MATERIALS.
 - ASTM E 2835 TEST METHOD FOR DETERMINING THE PERMEANCE OF BUILDING MATERIALS.
 - ASTM E 2836 TEST METHOD FOR DETERMINING THE PERMEANCE OF BUILDING MATERIALS.
 - ASTM E 2837 TEST METHOD FOR DETERMINING THE PERMEANCE OF BUILDING MATERIALS.
 - ASTM E 2838 TEST METHOD FOR DETERMINING THE PERMEANCE OF BUILDING MATERIALS.
 - ASTM E 2839 TEST METHOD FOR DETERMINING THE PERMEANCE OF BUILDING MATERIALS.
 - ASTM E 2840 TEST

DIVISION 10 - SPECIALTIES

SIGNAGE SECTION 10 14 23

PART 1 - GENERAL

1.1 SUMMARY

A. SECTION INCLUDES:

- 1. ILLUMINATED PANEL SIGNS.
2. ROOM IDENTIFICATION SIGNS.

1.2 ACTION SUBMITTALS

A. PRODUCT DATA FOR EACH TYPE OF PRODUCT.

- B. SHOP DRAWINGS FOR PANEL SIGNS:
1. INCLUDE FABRICATION AND INSTALLATION DETAILS AND ATTACHMENTS TO OTHER WORK.
2. SHOW SIGN MOUNTING HEIGHTS, LOCATIONS OF SUPPLEMENTARY SUPPORTS TO BE PROVIDED BY OTHERS, AND ACCESSORIES.
3. SHOW MESSAGE LIST, TYPESTYLES, GRAPHIC ELEMENTS, INCLUDING RAISED CHARACTERS AND BRALLE, AND LAYOUT FOR EACH SIGN AT LEAST 1/4" SIZE-SHIRT SIZE.
4. SHOW LOCATIONS OF ELECTRICAL SERVICE CONNECTIONS.
5. INCLUDE DIAGRAMS FOR POWER, SIGNAL, AND CONTROL WIRING.
C. SAMPLES: FOR EACH EXPOSED PRODUCT AND FOR EACH COLOR AND TEXTURE SPECIFIED.
D. SIGN SCHEDULE: USE SAME DESIGNATIONS SPECIFIED OR INDICATED ON DRAWINGS OR A SIGN SCHEDULE.

1.3 INFORMATIONAL SUBMITTALS

A. SAMPLE WARRANTY.

1.4 CLOSEOUT SUBMITTALS

A. MAINTENANCE DATA.

1.5 WARRANTY

- A. SPECIAL WARRANTY: MANUFACTURER AGREES TO REPAIR OR REPLACE COMPONENTS OF SIGNS THAT FAIL IN MATERIALS OR WORKMANSHIP WITHIN SPECIFIED WARRANTY PERIOD.
1. WARRANTY PERIOD: FIVE YEARS FROM DATE OF SUBSTANTIAL COMPLETION.

PART 2 - PRODUCTS

2.1 SIGNS

A. MANUFACTURER-APPROVED POPEYES SIGNAGE MANUFACTURER.

B. PANEL SIGN: SIGN WITH SMOOTH, UNIFORM SURFACES; WITH MESSAGE AND CHARACTERS HAVING SMOOTH, UNIFORM SURFACES; AND PRECISELY FORMED LINES AND PROFILES, AND AS FOLLOWS:

- 1. ILLUMINATED PANEL SIGN: BACKLIT CONSTRUCTION LIGHTING INCLUDING TRANSFORMERS, INDICATORS, AND/OR OTHER ACCESSORIES FOR OPERABILITY, WITH PROVISION FOR SERVING AND CONCEALING CONNECTIONS TO BUILDING ELECTRICAL SYSTEM; USE TIGHT OR SEALED JOINT CONNECTIONS TO PREVENT UNINTENTIONAL LIGHT LEAKAGE; SPACE LAMPS APART FROM EACH OTHER AND AWAY FROM SIGN SURFACES AS NEEDED TO ILLUMINATE EVENLY.
a. POWER AS INDICATED ON ELECTRICAL DRAWINGS.
2. MOUNTING: MANUFACTURER'S STANDARD METHOD FOR SUBSTRATES INDICATED ON EXTERIOR ELEVATIONS.

C. RESTROOM-IDENTIFICATION SIGN: SIGN WITH SMOOTH, UNIFORM SURFACES; WITH MESSAGE AND CHARACTERS HAVING UNIFORM FACES, SHARP CORNERS, AND PRECISELY FORMED LINES AND PROFILES, AND AS FOLLOWS:

- 1. LAMINATED-SHEET SIGN: FACE SHEET WITH RAISED GRAPHICS LAMINATED TO BACKING SHEET TO PRODUCE COMPOSITE SHEET.
a. COLOR AS PER AUTHORITIES HAVING JURISDICTION.
2. MOUNTING: SURFACE MOUNTED TO WALL WITH ADHESIVE.

PART 3 - EXECUTION

3.1 INSTALLATION

A. GENERAL: INSTALL SIGNS USING MOUNTING METHODS INDICATED AND ACCORDING TO MANUFACTURER'S WRITTEN INSTRUCTIONS.

- 1. INSTALL SIGNS LEVEL, PLUMB, TRUE TO LINE, AND AT LOCATIONS AND HEIGHTS INDICATED; WITH SIGN SURFACES FREE OF DISTORTION AND OTHER DEFECTS IN APPEARANCE.
2. INSTALL SIGNS SO THEY DO NOT PROTRUDE OR OBSTRUCT ACCORDING TO THE ACCESSIBILITY STANDARDS.
3. BEFORE INSTALLATION, VERIFY THAT SIGN SURFACES ARE CLEAN AND FREE OF MATERIALS OR DEBRIS THAT WOULD IMPAIR INSTALLATION.
4. CORROSION PROTECTION: COAT CONCEALED SURFACES OF EXTERIOR ALUMINUM IN CONTACT WITH GROUT, CONCRETE, MASONRY, WOOD, OR DISSIMILAR METAL WITH A HEAVY COAT OF BITUMINOUS PAINT.

B. MOUNTING METHODS:

1. EXTERIOR ILLUMINATED BUILDING SIGNS: MOUNTING METHOD TO BE PROVIDED BY MANUFACTURER.

2. RESTROOM-IDENTIFICATION SIGN:

- a. ADHESIVE: CLEAN BOND-BREAKING MATERIALS FROM SUBSTRATE SURFACE AND REMOVE LOOSE DEBRIS; APPLY LINEAR BEADS OR SPOTS OF ADHESIVE SYMMETRICALLY TO BACK OF SIGN AND OF SUITABLE QUANTITY TO SUPPORT WEIGHT OF SIGN WITHOUT AFTER CURE WITHOUT SURFAGE; KEEP ADHESIVE AWAY FROM EDGES TO PREVENT ADHESIVE EXTRUSION ON SIGN; AND TO PREVENT VISIBILITY OF CURED ADHESIVE AT SIGN EDGES; PLACE SIGN IN POSITION, AND PUSH TO ENGAGE ADHESIVE; TEMPORARILY SUPPORT SIGN IN POSITION UNTIL ADHESIVE FULLY SETS.
b. TWO-FACE TAPE: CLEAN BOND-BREAKING MATERIALS FROM SUBSTRATE SURFACE AND REMOVE LOOSE DEBRIS; APPLY TAPE STRIPS SYMMETRICALLY TO BACK OF SIGN AND OF SUITABLE QUANTITY TO SUPPORT WEIGHT OF SIGN WITHOUT SURFAGE; KEEP STRIPS AWAY FROM EDGES TO PREVENT VISIBILITY AT SIGN EDGES; PLACE SIGN IN POSITION, AND PUSH TO ENGAGE TAPE ADHESIVE.

C. REMOVE TEMPORARY PROTECTIVE COVERINGS AND STRIP-FILM FILMS AS SIGNS ARE INSTALLED.

END OF SECTION 10 14 23

WALL PROTECTION SECTION 10 20 06

PART 1 - GENERAL

1.1 SUMMARY

A. SECTION INCLUDES:

- 1. CORNER GUARDS.

1.2 ACTION SUBMITTALS

- A. PRODUCT DATA FOR EACH TYPE OF PRODUCT INDICATED.
B. SAMPLES FOR EACH EXPOSED PRODUCT AND FOR EACH COLOR AND TEXTURE SPECIFIED; 12 INCHES LONG.

1.3 INFORMATIONAL SUBMITTALS

A. MATERIAL CERTIFICATES.

B. MATERIAL TEST REPORTS.

C. WARRANTY: SAMPLE OF SPECIAL WARRANTY.

1.4 CLOSEOUT SUBMITTALS

A. MAINTENANCE DATA.

1.5 QUALITY ASSURANCE

A. INSTALLER QUALIFICATIONS: AN EMPLOYER OF WORKERS TRAINED AND APPROVED BY MANUFACTURER.

- B. SURFACE-BURNING CHARACTERISTICS: AS DETERMINED BY TESTING IDENTICAL PRODUCTS PER ASTM E4, NFPA 265, OR UL 723 BY UL OR ANOTHER QUALIFIED TESTING AGENCY.

1.6 WARRANTY

- A. SPECIAL WARRANTY: MANUFACTURER'S STANDARD FORM IN WHICH MANUFACTURER AGREES TO REPAIR OR REPLACE COMPONENTS OF IMPACT-RESISTANT WALL PROTECTION UNITS THAT FAIL IN MATERIALS OR WORKMANSHIP WITHIN SPECIFIED WARRANTY PERIOD.
1. FAILURES INCLUDE, BUT ARE NOT LIMITED TO, THE FOLLOWING:
a. STRUCTURAL FAILURES.
b. DETERIORATION OF PLASTIC AND OTHER MATERIALS BEYOND NORMAL USE.
2. WARRANTY PERIOD: FIVE YEARS FROM DATE OF SUBSTANTIAL COMPLETION.

PART 2 - PRODUCTS

2.1 MATERIALS

- A. PVC PLASTIC: ASTM D 1784, CLASS 1; TEXTURED, CHEMICAL- AND STAIN-RESISTANT; HIGH-IMPACT-RESISTANT PVC OR ACRYLIC-MODIFIED VINYL PLASTIC WITH INTEGRAL COLOR THROUGHOUT.
1. IMPACT RESISTANCE TO MEET ASTM D 256, TEST METHOD A.
2. CHEMICAL AND STAIN RESISTANCE PER ASTM STANDARDS.
3. SELF-EXTINGUISHING WHEN TESTED ACCORDING TO ASTM D 635.
4. FLAME SPREAD INDEX: 25 OR LESS.
5. SMOKE-DEVELOPED INDEX: 450 OR LESS.

- B. POLYCARBONATE PLASTIC SHEET: ASTM D 2008, S-PD1, CLASS 1 OR 2; ABRASION RESISTANT; WITH A MINIMUM IMPACT-RESISTANCE RATING PER ASTM D 256, TEST METHOD A.
C. FASTENERS: ALUMINUM, NONMAGNETIC STAINLESS-STEEL, OR OTHER NONCORROSIIVE METAL SCREWS, BOLTS, AND OTHER FASTENERS COMPATIBLE WITH ITEMS BEING FASTENED; USE SECURITY-TYPE FASTENERS WHERE EXPOSED TO VIEW.
D. ADHESIVE: AS RECOMMENDED BY IMPACT-RESISTANT PLASTIC WALL PROTECTION MANUFACTURER AND WITH A VOC CONTENT OF 5% (HEAVY METAL VALUE)-GL OR LESS WHEN CALCULATED ACCORDING TO 40 CFR 59, SUBPART D (EPA METHOD 24).

2.2 CORNER GUARDS

- A. SURFACE-MOUNTED, RESILIENT, CORNER GUARDS: ASSEMBLY CONSISTING OF COVER INSTALLED OVER CONTINUOUS RETAINER, INCLUDING MOUNTING HARDWARE; FABRICATED WITH 90-DEGREE TURN.
1. CRANE COMPOSITES, INC.
2. MARLITE PRODUCTS, INC.

FIRE PROTECTION SPECIALTIES SECTION 10 44 00

(AS APPLICABLE)

PART 1 - GENERAL

1.1 RELATED DOCUMENTS

A. DRAWINGS AND GENERAL PROVISIONS OF CONTRACT APPLY TO THIS SECTION.

1.2 QUALITY ASSURANCE

- A. SINGLE-SOURCE RESPONSIBILITY: OBTAIN EXTINGUISHERS AND CABINETS FROM A SINGLE MANUFACTURER.
B. COORDINATION: VERIFY THAT CABINETS ARE SIZED TO ACCOMMODATE TYPE AND CAPACITY OF EXTINGUISHERS INDICATED.
C. UL-LISTED PRODUCTS: FIRE EXTINGUISHERS SHALL BE UL LISTED WITH UL LISTING MARK FOR TYPE, RATING, AND CLASSIFICATION OF FIRE EXTINGUISHER.
D. NFPA COMPLIANCE: FABRICATE AND LABEL FIRE EXTINGUISHERS TO COMPLY WITH NFPA 10, STANDARD FOR PORTABLE FIRE EXTINGUISHERS.
E. FIRE EXTINGUISHERS: LISTED AND LABELED FOR TYPE, RATING, AND CLASSIFICATION BY AN INDEPENDENT TESTING AGENCY ACCEPTABLE TO AUTHORITIES HAVING JURISDICTION.

PART 2 - PRODUCTS

2.1 MANUFACTURERS

- A. PORTABLE FIRE EXTINGUISHERS AND CABINETS: SUBJECT TO COMPLIANCE WITH REQUIREMENTS; PROVIDE PRODUCTS BY ONE OF THE FOLLOWING: POTTER ROEMER.

2.2 MATERIALS

- A. COIL-ROLLED STEEL SHEET: CARBON STEEL, COMPLYING WITH ASTM A36/A36M, COMMERCIAL QUALITY, STRECH LEVELLED, TEMPER ROLLED.
B. ALUMINUM: ALLOY AND TEMPER RECOMMENDED BY ALUMINUM PRODUCER AND MANUFACTURER FOR TYPE OF USE AND FINISH INDICATED AS FOLLOWS:
1. SHEET: ASTM B209.
2. EXTRUDED SHAPES: ASTM B221.
STAINLESS-STEEL SHEET: ASTM A888, TYPE 302 OR TYPE 304 ALLOY.

END OF SECTION 10 44 00

DIVISION 12 - WINDOW TREATMENTS

ROLL-DOWN BLINDS SECTION 12 21 23

PART 1 - GENERAL

1.1 SUMMARY

A. MANUAL ROLLER SHADES AND HARDWARE.

1.2 SYSTEM DESCRIPTION

A. CLUTCH-OPERATED ROLLER SHADES WITH BEAD CHAIN CONTROL.

1.3 SUBMITTALS

- A. PRODUCT DATA: SUBMIT AN ELECTRONIC PDF COPY OF MANUFACTURER'S TECHNICAL DATA AND INSTALLATION INSTRUCTIONS.
B. SAMPLES: SUBMIT THREE SAMPLES OF EACH SHADE CLOTY WITH COMPLETE COLOR SWATCH.
C. SHOP DRAWINGS: SUBMIT DRAWINGS OF MECHANICAL PRODUCTS WITH APPROPRIATE DIMENSIONS.

1.4 QUALITY ASSURANCE

- A. THE MANUFACTURER OF THESE PRODUCTS SHALL SHOW A MINIMUM OF 20 YEARS DOCUMENTED EXPERIENCE.
B. THE INSTALLER SHALL SHOW A MINIMUM OF 3 YEARS EXPERIENCE WITH THESE SYSTEMS.

PART 2 - PRODUCTS

2.1 MANUFACTURER

- A. SOG'S SUN OR SHADE: A DIVISION OF INSIDE OUTFITTERS, INC. 833 GREEN MEADOWS DRIVE N., STE. B, LEWIS CENTER, OH, 43085 P. 800.742.3272, F. 677.800.3868, E.INFO@SOGSSHADES.COM

2.2 MATERIALS

- A. SHADE FABRICS: TRANSLUCENT FABRICS HAVE AN OPENNESS FACTOR OF 10%. THE FABRIC SHALL HAVE A HIGH DEGREE OF OPACITY FOR EFFECTIVE CONTROL OF LIGHT. THE FABRIC MUST HAVE SUFFICIENT RIGIDITY TO INSURE STRAIGHT HANGING, RESIST CURL, TWIST, BOWING AND DISTORTION; IT MUST BE DIMENSIONALLY STABLE AND WILL NOT SHRINK OR STRETCH. THE FABRIC IS TO BE COLORFAST AND SHALL NOT BE AFFECTED BY MOISTURE OR HEAT. THE COLOR SHALL BE SELECTED FROM STANDARD COLORS. ALL BEAMS ARE TO BE HEAT-SEALED; SEWING IS NOT ACCEPTED. THE FABRIC COLOR SHALL BE SELECTED FROM THE MANUFACTURER'S STANDARD COLOR LINE. BEAD CHAIN: ALUMINUM TUBE DEPENDING ON THE WIDTH OF THE SHADE AND FABRIC CHOSEN FOR THE SHADE.
B. TUBE: THE FABRIC SHADES SHALL BE MOUNTED ON TO A 1-1/4", 1-1/2", 2", OR 2-1/2" OR 3-1/4 DIAMETER ALUMINUM TUBE DEPENDING ON THE WIDTH OF THE SHADE AND FABRIC CHOSEN FOR THE SHADE.
C. BEAD CHAIN CLUTCH: THE CLUTCH INCORPORATES AN ADJUSTABLE SLIP CLUTCH TO CONTROL THE RATE OF FALL FROM FREE RUNNING ZERO-FRICTION FACTOR TO A FACTOR OF 100%. THE SHADE MAY BE ADJUSTED TO STOP AND HOLD AT ANY POSITION. THE BEAD CHAIN SHALL CONTAIN AUTOMATIC STOPS TO PREVENT THE SHADE FROM OVER WINDING OR UNWINDING. THE BEAD CHAIN WILL BE SECURED BY A HOLD-DOWN CLIP.
D. BEAD CHAIN: BEAD CHAIN WILL NICKEL BALL TYPE.
E. EASY LIFT: THIS OPTION IS ADDED TO ALL SHADES THAT ARE OVER 30 POUNDS.
F. HEMBAR: SHALL BE A CONTINUOUS ALUMINUM BAR 1" X 3/16" WITH SUFFICIENT WEIGHT TO ALLOW THE SHADE TO CLOSE WITHOUT BUCKLING OR SAGGING. STANDARD HEMBAR IS WRAPPED IN FABRIC AND SEALED AROUND ALL EDGES.
G. SHADE MOUNTING BRACKETS: SHADE MOUNTING BRACKETS SHALL BE MANUFACTURED FROM 304 GALVANIZED STEEL, REVERSIBLE FOR RIGHT AND LEFT HAND MOUNTING. THE BRACKETS MAY BE FIELD MOUNTED INSIDE, OUTSIDE OR CEILING MOUNTED. FASCIA BRACKETS SHALL MATCH FASCIA COLOR.
H. FASCIA SYSTEM: ALL FASCIA SYSTEMS SHALL BE PRIME PAINTED WITH BAKED ENAMEL UTILIZING THE POWDER PAINT METHOD TO ENSURE AN ENVIRONMENTAL FRIENDLY APPLICATION. VET PAINT METHOD SHALL NOT BE ACCEPTED.
1. LANGLE FASCIA: FASCIA PANELS SHALL BE MADE FROM EXTRUDED ALUMINUM. FASCIA FACE SHALL BE 7" OR 4" TO ACCOMMODATE SHADE ROLL. FASCIA SHALL CLIP TO BRACKETS AND SNAP EASILY INTO PLACE; IT SHALL BE EASILY REMOVED FOR ANY NECESSARY MAINTENANCE.
a. FASCIA COLOR: VANILLA.

PART 3 - EXECUTION

3.1 INSTALLATION

- A. INSTALL THE SHADES WHERE SHOWN ON THE CONTRACT DRAWINGS IN ACCORDANCE WITH PRINTED INSTRUCTIONS PROVIDED BY THE MANUFACTURER, SOG SHADE SYSTEMS, OR A MODIFICATION AS APPROVED BY THE MANUFACTURER.
B. THE SHADE FABRIC SHALL HANG FLAT WITHOUT BUCKLING OR DISTORTION. THE EDGE WHEN TRIMMED, SHALL HANG STRAIGHT WITHOUT CURLING OR RAVELLING. UNLINED ROLLER FABRICS SHALL ROLL WITHOUT SHEDDING SEWINGS MORE THAN 1/4" IN EITHER DIRECTION. TOLERANCE FOR BRACKET SHALL NOT EXCEED 3/4" ON EITHER SIDE.
C. VERIFY THAT ALL SURFACES AND OPENINGS ARE READY TO RECEIVE THE WORK. DO NOT COMMENCE THE WORK UNTIL THE INSTALLER VERIFIES FIELD MEASUREMENTS.
D. BEGINNING THE INSTALLATION INDICATES THE INSTALLER ACCEPTS THE SUBSTRATE.

3.2 ADJUSTING

- A. THE SYSTEM SHALL BE ADJUSTED BY THE INSTALLER FOR SMOOTH OPERATION. ALL COMPLETED SHADES WILL BE OPERATED BY THE INSTALLER TO ENSURE THAT THEY FUNCTION CORRECTLY.
B. INSTRUCT THE OWNER OR HIS REPRESENTATIVE AS TO THE PROPER OPERATING PROCEDURES AND MAINTENANCE OF THE SYSTEM.

END OF SECTION 12 21 23

ISSUE TABLE

Table with 3 columns: No., Date (mm/dd/yyyy), Description.

REVISIONS

Table with 3 columns: No., Date, Description.

DRAWINGS REVISED AS PER DESIGN BULLETIN

Table with 3 columns: No., Date, Description.

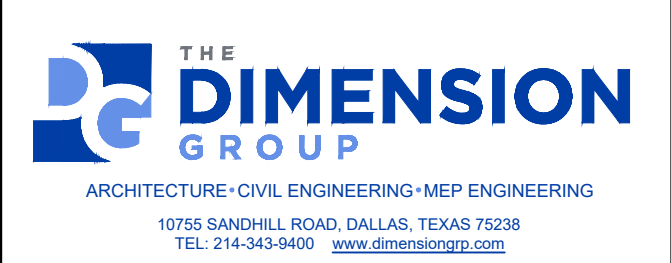
Table with 3 columns: No., Date, Description.

THIS DRAWING IS OWNED BY OR LICENSED FOR USE BY POPEYES LOUISIANA KITCHEN... THE CONTRACTOR IS TO VERIFY ALL DIMENSIONS AND CONDITIONS ON THE PROJECT AND TO REPORT ANY DISCREPANCIES TO THE POPEYES LOUISIANA KITCHEN REPRESENTATIVE PRIOR TO COMMENCING WORK...



9.14.2023

Company Logo



Project



POPEYES

Store Type

US 2112 PROTOTYPE 2112-21

Location

1517 NC 24-87 CAMERON, NC

Drawing Title

ARCHITECTURAL SPECIFICATIONS

Drawn

SH AL

Scale

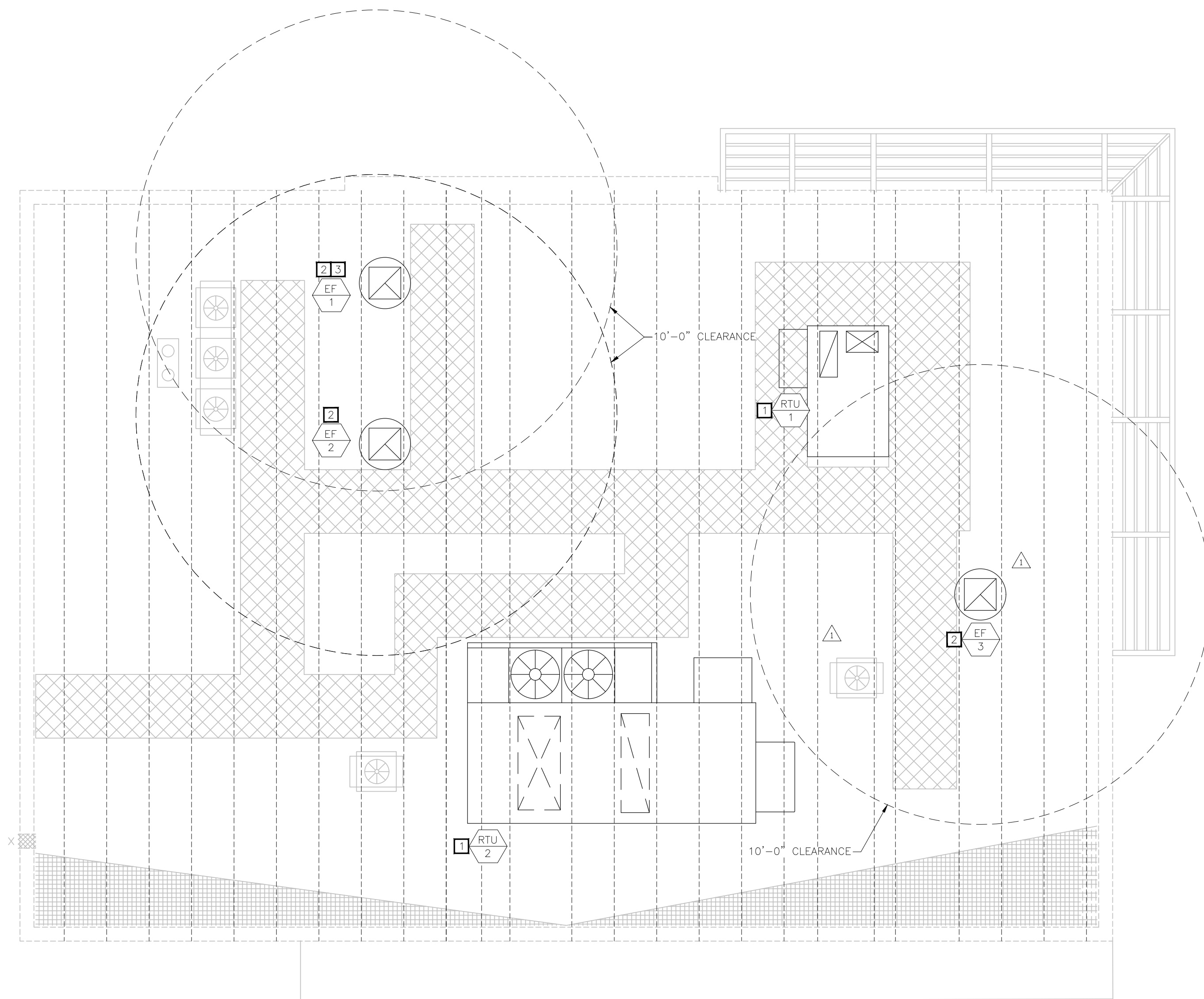
Date

JUNE 2023

Project No.

C22-129 SP7

POPEYES LOUISIANA KITCHEN MODEL 2112, 1517 NC 24-87, CAMERON, NC (JUNE 01, 2023) STORE NO. C22-129



01 MECHANICAL ROOF PLAN
1/4"=1'-0"

MECHANICAL KEY NOTES

- 1 PROVIDE ROOFTOP UNIT AND CURB. COORDINATE UNIT WITH STRUCTURE. SHIM UNIT AND CURB LEVEL FOR PROPER CONDENSATE DRAINAGE. PROVIDE FLEXIBLE CONNECTORS ON SUPPLY AND RETURN AIR DUCT CONNECTIONS. TRANSITION TO DUCT SIZES SHOWN ON SHEET M1.1.
- 2 INSTALL OWNER FURNISHED ROOF MOUNTED EXHAUST FAN AND CURB.
- 3 INSTALL OWNER FURNISHED WIND BAND EXTENSION FOR GREASE EXHAUST FAN. EXHAUST TERMINATION MUST BE EQUAL OR HIGHER THAN ANY WALL OR PARAPET WITHIN 5'-0" OF FAN. VERIFY REQUIRED HEIGHT PRIOR TO BID AND COORDINATE WITH HOOD MANUFACTURER FOR ADDITION TO EQUIPMENT PRIOR TO BID.

GENERAL NOTES

- A. SEAL ALL ROOF PENETRATIONS WATER TIGHT. COORDINATE ALL PENETRATIONS WITH GENERAL CONTRACTOR AND ROOFING CONTRACTOR.
- B. ALL OUTDOOR INTAKES SHALL BE LOCATED AT LEAST 10 FEET FROM EXHAUST OUTLETS, APPLIANCE FLUES AND PLUMBING VENTS.
- C. MAINTAIN ALL CODE AND MANUFACTURER'S RECOMMENDED CLEARANCES AROUND ALL ROOF EQUIPMENT.

ISSUE TABLE		
No.	Date (mm/dd/yyyy)	Description

REVISIONS		
No.	Date	Description
1	8/01/2023	RESPONSE TO CITY
2	9/04/2023	HEALTH COMMENTS
3	9/12/2023	RESPONSE TO CITY

DRAWINGS REVISED AS PER DESIGN BULLETIN		
No.	Date	Description



PROJECT NORTH

THIS DRAWING IS OWNED BY OR LICENSED FOR USE BY POPEYES LOUISIANA KITCHEN (OR ITS AFFILIATED OR RELATED COMPANIES) AND MAY NOT BE REPRODUCED, USED, DOWNLOADED, DISSEMINATED, PUBLISHED OR TRANSFERRED IN ANY FORM OR BY ANY MEANS, EXCEPT WITH THE PRIOR WRITTEN CONSENT OF POPEYES LOUISIANA KITCHEN. COPYRIGHT INFRINGEMENT IS A VIOLATION OF FEDERAL LAW SUBJECT TO CRIMINAL AND CIVIL PENALTIES.

THE CONTRACTOR IS TO VERIFY ALL DIMENSIONS AND CONDITIONS ON THE PROJECT AND TO REPORT ANY DISCREPANCIES TO THE POPEYES LOUISIANA KITCHEN REPRESENTATIVE PRIOR TO COMMENCING WORK. THESE DRAWINGS ARE NOT TO BE USED FOR CONSTRUCTION PURPOSES UNLESS INDICATED BY POPEYES LOUISIANA KITCHEN AS "ISSUED FOR CONSTRUCTION".



9.13.2023

Company Logo

Project

Store Type
US 2112 PROTOTYPE
2112-21

Location
**1517 NC 24-87
CAMERON, NC**

Drawing Title
MECHANICAL ROOF PLAN

Drawn NI	Checked AH
Scale 1/4" = 1'-0"	Date JUNE 2023
Project No. C22-129	Drawing No. M1.2

POPEYES LOUISIANA KITCHEN MODEL 2112, 1517 NC 24-87, CAMERON, NC (JUNE 01, 2023) STORE NO. C22-129

2018 INTERNATIONAL MECHANICAL CODE - TABLE 403.3.1.1 VENTILATION SUMMARY

OCCUPANCY CATEGORY	PEOPLE OUTDOOR AIR RATE - (Rp) (CFM/PERSON)	AREA OUTDOOR AIR RATE - (Ra) (CFM/SQ.FT.)	OCCUPANCY DENSITY (P/1,000 SQ.FT.)	OCCUPANCY CLASSIFICATION (P/1,000 SQ.FT.)	CALCULATED OCCUPANCY DENSITY	ZONE OCCUPANCY OVERRIDE	PEOPLE EXPECTED TO OCCUPY THE ZONE - (Pz)	Rp*Pz	Ra*Az	AREA - (Az) SQ.FT.	ZONE AIR DISTRIBUTION EFFECTIVENESS - Ez	BREATHING ZONE OUTDOOR AIRFLOW - (Vbz) CFM	ZONE OUTDOOR AIRFLOW (Voz)	ZONE PRIMARY AIRFLOW (Vpz)	PRIMARY OUTDOOR AIR FRACTION (Zp) Zp=Voz/Vpz	OCCUPANT DIVERSITY RATIO (D)	UNCORRECTED OUTDOOR AIR INTAKE (Vou) CFM	SYSTEM VENTILATION EFFICIENCY Ev	CORRECTED OUTDOOR AIRFLOW (Vot) CFM	PROVIDED OUTDOOR AIRFLOW CFM
RTU-1																				
DINING	7.5	0.18	70	DINING	26	—	26	194	67	370	0.8	261	326	1400	0.23		261		284	
SALES	7.5	0.12	20	KITCHEN	3	—	3	20	16	130	0.8	35	44	400	0.11		35		35	
VESTIBULE	—	0.06	—	CORRIDOR	—	—	—	—	2	40	0.8	2	3	150	0.02		2		3	
RESTROOM	—	—	—	RESTROOM	—	—	—	—	—	55	0.8	—	—	50	—		—		—	
SYSTEM POPULATION INCLUDING DIVERSITY (Ps) =							26							MAX Zp =	0.23	1.00	298	0.92	324	400
DOAS-1																				
KITCHEN	7.5	0.12	20	KITCHEN	4	—	4	32	25	210	0.8	57	71	1600	0.04		57		57	
BOH	7.5	0.12	20	KITCHEN	14	—	14	107	85	710	0.8	192	240	2800	0.09		192		192	
DRIVE THRU	7.5	0.12	20	KITCHEN	2	—	2	17	13	110	0.8	30	37	400	0.09		30		30	
SYSTEM POPULATION INCLUDING DIVERSITY (Ps) =							21							MAX Zp =	0.09	1.00	278	1.00	278	2,500

ROOFTOP UNIT SCHEDULE

MARK (RTU-#)	1	2
MANUFACTURER	CARRIER	GREENHECK
MODEL	50GCBK06	RV-45-15
AIR FLOW (CFM)	2,000	5,000
OA FLOW (CFM)	400	2,500
AMBIENT OAT (°F)	95.5	95.5
EXTERNAL STATIC (IN. W.C.)	0.60	1.00
DX COOLING COIL		
EAT (TDS/WB)	80/67	80/67
TOTAL (BTU/HR)	59,000	202,000
SENSIBLE (BTU/HR)	46,800	141,100
ELECTRIC HEAT		
FUEL	ELECTRIC (332A)	ELECTRIC
ELECTRIC HEAT (KW)	18.4	57.4
WINTER SA TEMP (°F)	87	81
FLA (Amps)	51.1	159.3
ELECTRICAL		
VOLTS/Ø/HZ	208-230/3/60	208/3/60
UNIT MCA	83	181.3
MOCP AMPS	90	200
APPROX. WEIGHT (LBS)	844	3,012 (+5%)
EER (SEER)	12.8 (17.4)	11
NOTES	1-14	1-11,13-15

- NOTES:**
- 1) PROVIDE FACTORY FABRICATED 14" HIGH ROOF CURB. CURB SHALL MATCH SLOPE OF ROOF. REFER TO ARCHITECTURAL DRAWINGS FOR ADDITIONAL INFORMATION.
 - 2) PROVIDE FACTORY MOUNTED WEATHERHOOD AND BIRDSCREEN AT OUTSIDE AIR INTAKE.
 - 3) PROVIDE FACTORY INSTALLED LOW-LEAK DRY BULB ECONOMIZER WITH FAULT DETECTION AND DIAGNOSTICS.
 - 4) PROVIDE UNIT WITH LOUVERED HAIL GUARDS.
 - 5) PROVIDE 5 MINUTE COMPRESSOR RESTART TIME DELAY.
 - 6) PROVIDE FILTER RACK AND 2 SETS OF MERV 8 FILTERS.
 - 7) PROVIDE FACTORY MOUNTED AND WIRED DISCONNECT SWITCH.
 - 8) CONTRACTOR SHALL INSTALL ALL COMPONENTS SHIPPED LOOSE TO THE FIELD.
 - 9) PROVIDE WITH FACTORY CONDENSATE OVERFLOW SWITCH, FOIL FACED INSULATION, AND HINGED ACCESS PANELS.
 - 10) SET MINIMUM OUTSIDE AIR AS SPECIFIED ABOVE. FIELD SET 2 MINIMUM POSITIONS TO MAINTAIN SCHEDULED OUTSIDE AIR FLOW RATE AT SUPPLY FAN MINIMUM AND MAXIMUM SPEEDS. OUTSIDE AIR DAMPER SHALL FULLY CLOSE UPON UNIT SHUTDOWN.
 - 11) PROVIDE POWERED GFCI CONVENIENCE OUTLET. OUTLET TO BE POWERED BY LINE SIDE OF DISCONNECT.
 - 12) PROVIDE FAN WITH 2-SPEED FAN CONTROL.
 - 13) PROVIDE FACTORY MOUNTED POWER EXHAUST.
 - 14) PROVIDE HOT GAS REHEAT COIL FOR DEHUMIDIFICATION WITH HUMIDISTAT SET TO 55% R.H.
 - 15) PROVIDE FACTORY MOUNTED SINGLE ZONE VAV AND DIGITAL SCROLL COMPRESSOR.

AIR BALANCE SCHEDULE

	RTU-1	RTU-2	EF-1	EF-2	EF-3	TOTALS
OUTSIDE AIR FLOW (CFM)	400	2,500	0	0	0	2,900
RETURN AIR FLOW (CFM)	1,600	2,500	0	0	0	4,100
SUPPLY AIR FLOW (CFM)	2,000	5,000	0	0	0	7,000
EXHAUST AIR FLOW (CFM)	0	0	1,230	1,230	75	2,535
BUILDING PRESSURE (CFM)	400	2,500	-1,230	-1,230	-75	365
RESULTING BUILDING PRESSURIZATION (CFM)						365

EXHAUST AND VENTILATION FAN SCHEDULE - OWNER FURNISHED

MARK (EF-#)	1	2	3
MANUFACTURER	FRANKE	FRANKE	FRANKE
MODEL	FR-DU50HFA	FR-DU50HFA	FR-DR10HFA
TYPE	UPBLAST	UPBLAST	DOWNBLAST
DRIVE TYPE	DIRECT	DIRECT	DIRECT
PERFORMANCE			
AIR FLOW (CFM)	1,230	1,230	75
EXT. STATIC (IN W.C.)	0.8	0.8	0.125
FAN SPEED (RPM)	1,500	1,500	1,015
ELECTRICAL			
VOLTS/Ø/HZ	120/1/60	120/1/60	120/1/60
FAN MOTOR HP	1/2	1/2	1/8
ACCESSORIES	GDC,RC,WB	GDC,RC	BD,BS,DS,RC,SC
APPROX. WEIGHT (LBS)	120	120	75
SERVES	HOOD	HOOD	RESTROOM
NOTES	1,2,3	1,2,3	3,4

ACCESSORIES:
 BD-BACKDRAFT DAMPER, BS-BIRD SCREEN, DS-DISCONNECT SWITCH, GDC-GREASE DRAIN AND CUP, RC-ROOF CURB PER HOOD PACKAGE SPECIFICATION, SC-FACTORY MOUNTED AND WIRED SPEED CONTROL, WB-WIND BAND EXTENSION, WP-NEMA 3R DISCONNECT SWITCH

- NOTES:**
- 1) FAN SHALL BE CONTROLLED BY SWITCH AT KITCHEN HOOD. INTERLOCK RTU-1 AND RTU-2 TO OPERATE IN OCCUPIED MODE WHILE HOOD EXHAUST FAN IS ENERGIZED. SEE HOOD PACKAGE ON M3 x SHEETS FOR MORE INFORMATION.
 - 2) PROVIDE WITH VARIABLE SPEED CONTROLLER.
 - 3) COORDINATE WITH MANUFACTURER FOR FINAL SELECTION.
 - 4) ELECTRICAL CONTRACTOR SHALL INTERLOCK FAN WITH TIMECLOCK.

GRILLE, REGISTER, AND DIFFUSER SCHEDULE

MARK	A	B	C
MANUFACTURER	TITUS	TITUS	TITUS
MODEL	TMS-AA	TMS-AA	PAR-AA
TYPE	SQUARE CONE DIFFUSER	SQUARE CONE DIFFUSER	PREFORATED FACE DIFFUSER
NECK SIZE (L"XW")	PER PLAN	PER PLAN	PER PLAN
FACE SIZE (L"XW")	24"X24"	24"X24"	24"X24"
FRAME TYPE	LAY-IN	LAY-IN	LAY-IN
FINISH	WHITE	WHITE	WHITE
NOISE CRITERIA LEVEL	<30	<30	<30
ACCESSORIES	TRM	TRM	

MARK	D	E	F
MANUFACTURER	TITUS	TITUS	TITUS
MODEL	TMS-AA	355FL	50F
TYPE	SQUARE CONE DIFFUSER	LOUVERED EXHAUST GRILLE	EGGCRAE GRILLE
NECK SIZE (L"XW")	PER PLAN	10"X10"	22"X22"
FACE SIZE (L"XW")	12"X12"	12"X12"	24"X24"
FRAME TYPE	LAY-IN	SURFACE	LAY-IN
FINISH	WHITE	WHITE	WHITE
NOISE CRITERIA LEVEL	<30	<30	<30
ACCESSORIES	TRM	STR	

ACCESSORIES:
 STR-SQUARE TO ROUND TRANSITION (AS REQUIRED), TRM-RAPID MOUNT SHEETROCK FRAME

AIR CURTAIN SCHEDULE

MARK (AC-#)	1
MANUFACTURER	MARS
MODEL	LPV236-1UA-OB
AIR FLOW (CFM)	900
ELECTRICAL	
VOLTS/Ø/HZ	115
MOTOR QUANTITY	1
MOTOR HP	1/8
MCA (AMPS)	3
MOCP (AMPS)	15
FINISH	OBSIDIAN BLACK
APPROX. WEIGHT (LBS)	32
NOTES	1-3

- NOTES:**
- 1) PROVIDE WITH INTEGRAL DISCONNECT SWITCH.
 - 2) PROVIDE WITH DOOR MICRO-SWITCH.
 - 3) PROVIDE WITH FILTER.
 - 4) PROVIDE MOUNTING HARDWARE REQUIRED BY MANUFACTURER FOR COMPLETE INSTALLATION.

ISSUE TABLE

No.	Date (mm/dd/yy)	Description

REVISIONS

No.	Date	Description
1	8/01/2023	RESPONSE TO CITY
2	9/04/2023	HEALTH COMMENTS
3	9/12/2023	RESPONSE TO CITY

DRAWINGS REVISED AS PER DESIGN BULLETIN

No.	Date	Description



PROJECT NORTH

THIS DRAWING IS OWNED BY OR LICENSED FOR USE BY POPEYES LOUISIANA KITCHEN (OR ITS AFFILIATED OR RELATED COMPANIES) AND MAY NOT BE REPRODUCED, USED, DOWNLOADED, DISSEMINATED, PUBLISHED OR TRANSMITTED IN ANY FORM OR BY ANY MEANS, EXCEPT WITH THE PRIOR WRITTEN CONSENT OF POPEYES LOUISIANA KITCHEN. COPYRIGHT INFRINGEMENT IS A VIOLATION OF FEDERAL LAW SUBJECT TO CRIMINAL AND CIVIL PENALTIES.

THE CONTRACTOR IS TO VERIFY ALL DIMENSIONS AND CONDITIONS ON THE PROJECT AND TO REPORT ANY DISCREPANCIES TO THE POPEYES LOUISIANA KITCHEN REPRESENTATIVE PRIOR TO COMMENCING WORK. THESE DRAWINGS ARE NOT TO BE USED FOR CONSTRUCTION PURPOSES UNLESS INDICATED BY POPEYES LOUISIANA KITCHEN AS "ISSUED FOR CONSTRUCTION".



9.13.2023

Company Logo



Project



POPEYES

Store Type

US 2112 PROTOTYPE
2112-21

Location

1517 NC 24-87
CAMERON, NC

Drawing Title

MECHANICAL SCHEDULES

Drawn

NI

Checked

AH

Scale

1/4" = 1'-0"

Date

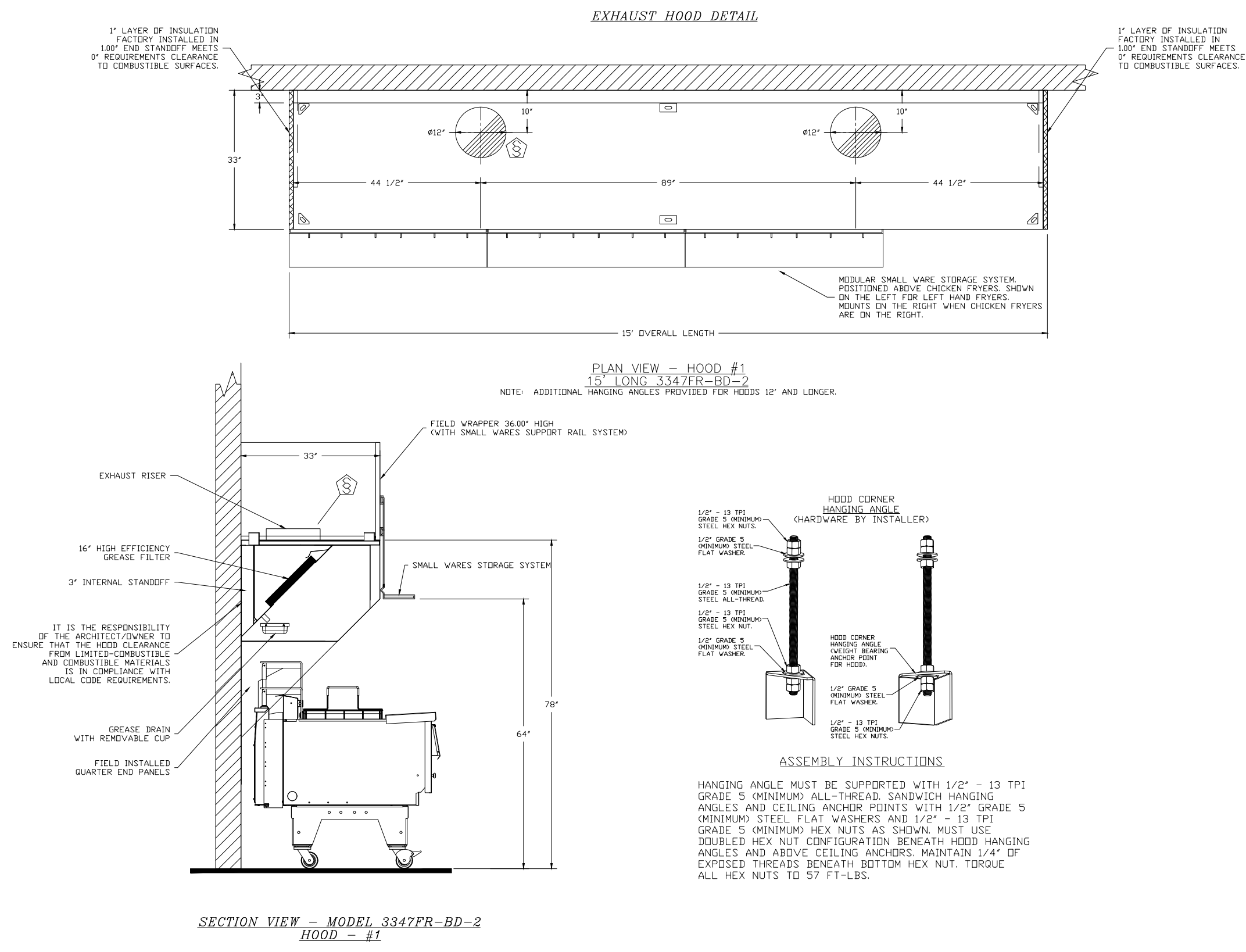
JUNE 2023

Project No.

C22-129

Drawing No.

M2.1

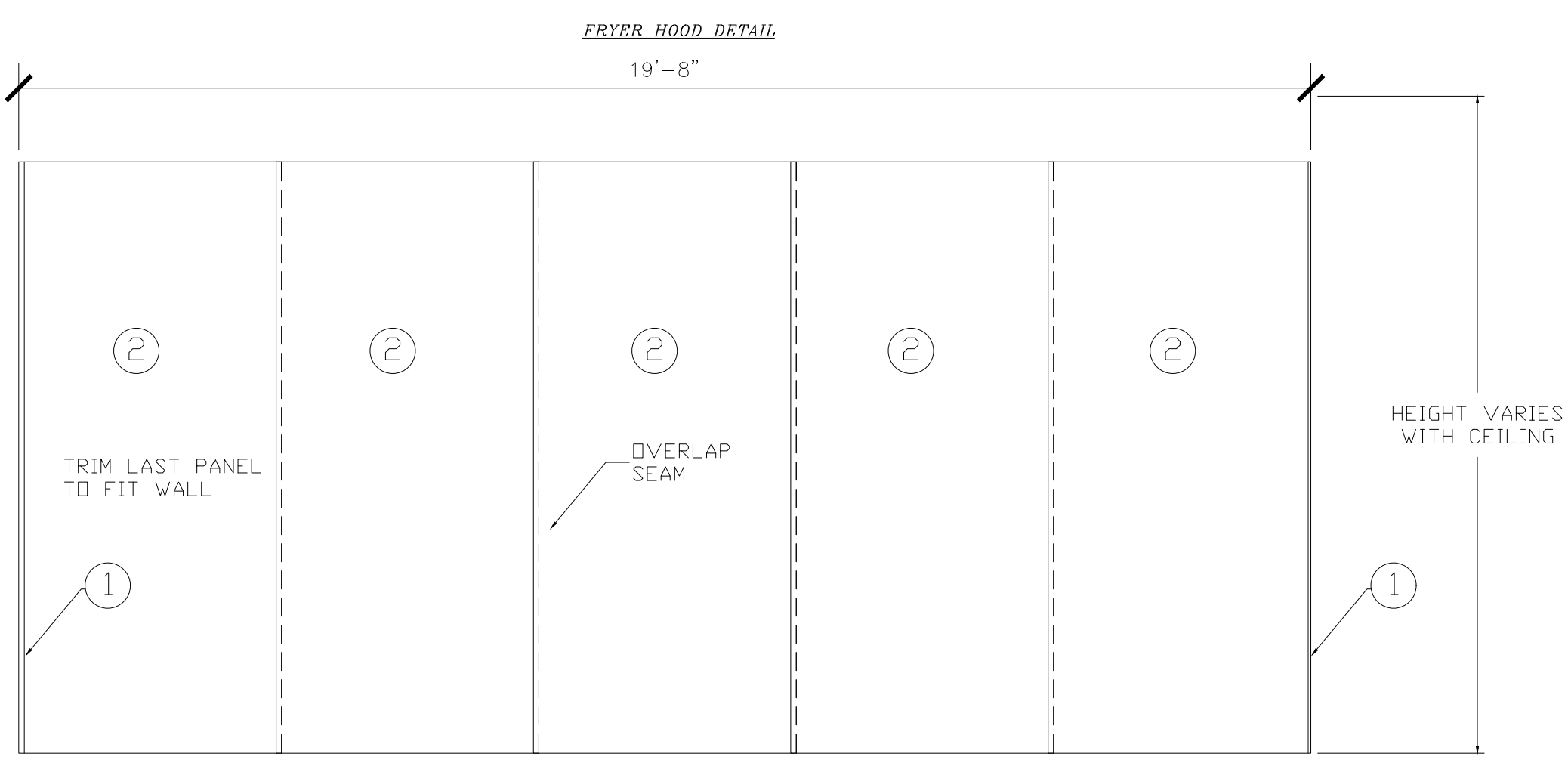


1 EXHAUST HOOD DETAIL
 1 SCALE: NO SCALE



PLK 2112
 15' HOOD PACKAGE

FRANKE FOODSERVICE SYSTEMS AMERICAS, INC.
 800 AVIATION PARKWAY
 SMYRNA, TN USA 37167
 PHONE: 1-800-877-5178
 WWW.FRANKESUPPLY.COM
 FS-BKSALES.US@FRANKE.COM



COVERS ENTIRE WALL BEHIND HOOD

ITEM	QTY	DESCRIPTION
1	2	S/S CAP STRIP
2	5	WALL FLASHING 48" WIDE

2 BACKSPASH DETAIL
 1 SCALE: NO SCALE

No.	Date (mm/dd/yy)	Description
AM029	10/01/20	INITIAL ISSUE

ISSUE TABLE

No.	Date (mm/dd/yy)	Description

REVISIONS

No.	Date	Description
1	8/01/2023	RESPONSE TO CITY
2	9/04/2023	HEALTH COMMENTS
3	9/12/2023	RESPONSE TO CITY

DRAWINGS REVISED AS PER DESIGN BULLETIN

No.	Date	Description



THIS DRAWING IS OWNED BY OR LICENSED FOR USE BY POPEYES LOUISIANA KITCHEN (OR ITS AFFILIATED OR RELATED COMPANIES) AND MAY NOT BE REPRODUCED, USED, DOWNLOADED, DISSEMINATED, PUBLISHED OR TRANSMITTED IN ANY FORM OR BY ANY MEANS, EXCEPT WITH THE PRIOR WRITTEN CONSENT OF POPEYES LOUISIANA KITCHEN. COPYRIGHT INFRINGEMENT IS A VIOLATION OF FEDERAL LAW SUBJECT TO CRIMINAL AND CIVIL PENALTIES.

THE CONTRACTOR IS TO VERIFY ALL DIMENSIONS AND CONDITIONS ON THE PROJECT AND TO REPORT ANY DISCREPANCIES TO THE POPEYES LOUISIANA KITCHEN REPRESENTATIVE PRIOR TO COMMENCING WORK. THESE DRAWINGS ARE NOT TO BE USED FOR CONSTRUCTION PURPOSES UNLESS INDICATED BY POPEYES LOUISIANA KITCHEN AS "ISSUED FOR CONSTRUCTION".



Frankie Foodservice Systems Americas, Inc.
 800 Aviation Parkway
 Smyrna, TN USA 37167
 Tel: +800 472-2954
 fs_customerservice.us@franke.com
 www.frankesupply.com

© 2023 Frankie Foodservice Americas, Inc.
 These drawings and specifications are the property of Frankie Technology and Trademark Ltd. and shall not be reproduced, copied or transmitted in any form or by any means without the prior written permission of Frankie Technology and Trademark Ltd. (Frankie, Frankiedesign)

Exclusion of Liability
 FRANKIE takes no responsibility for the accuracy of the floor plan and construction drawings. All dimensions and conditions specified by FRANKIE must be checked by the client prior to installation. Specifications for power, gas, and other services are stated to equipment supplied by FRANKIE. All third party accessories shown are with the responsibility of the client. FRANKIE reserves the right to change equipment without notice.

Account: POPEYES
 Restaurant: PLK 2112
 Title: WALL MOUNTED INSTALLATION DETAIL
 Site ID: -
 Operator: -
 Site Address: -
 City: -
 State: - Zip Code: - Country: -
 Region: -
 Building Type: -
 Electrical Service: -
 Gas Service: -
 Market Manager: -
 Franke Project Number: -

Created by: HP033
 Date Issued: 10/01/20
 Modified By: AM029
 Drawing Scale: AS NOTED
 Units: INCHES
 Drawing Number: -
 Sheet Name: -

Revision: A

1 OF 4

9.13.2023

Company Logo

ARCHITECTURE-CIVIL ENGINEERING-MEP ENGINEERING
 10755 SANDHILL ROAD, DALLAS, TEXAS 75238
 TEL: 214-343-9400 www.dimensiongroup.com

Project

POPEYES

Store Type: US 2112 PROTOTYPE 2112-21

Location: 1517 NC 24-87 CAMERON, NC

Drawing Title: MECHANICAL HOOD DRAWINGS

Drawn	Checked
NI	AH
Scale: 1/4" = 1'-0"	Date: JUNE 2023
Project No: C22-129	Drawing No: M3.1

POPEYES LOUISIANA KITCHEN MODEL 2112, 1517 NC 24-87, CAMERON, NC (JUNE 01, 2023) STORE NO. C22-129

EXHAUST FAN DATA

EXHAUST FAN INFORMATION - PLK 2136 PROTO

FAN UNIT NO.	TAG	QTY	FAN UNIT MODEL #	MANUFACTURER	CFM	ESP	RPM	MOTOR ENCL.	HP	BHP	Ø	VOLT	FLA	DISCHARGE VELOCITY	WEIGHT (LBS)	SDNES
1	EF-LEFT	1	FR-BUS0FA	FRANKE FOODSERVICE	1231	0.800	1501	TEAD-ECH	0.500	0.3500	1	115	6.3	468 FPM	78	15.9
2	EF-RIGHT	1	FR-BUS0FA	FRANKE FOODSERVICE	1231	0.800	1501	TEAD-ECH	0.500	0.3500	1	115	6.3	468 FPM	78	15.9

FAN OPTIONS

FAN UNIT NO.	TAG	QTY	DESCRIPTION
1	EF-LEFT	1	GREASE BOX
		1	EXHAUST FAN HEAT BAFFLE
2	EF-RIGHT	1	ECH WIRING PACKAGE - PWM SIGNAL FROM ECM3D PREWIRE (TELED MOTOR), CCV ROTATION
		1	GREASE BOX
2	EF-RIGHT	1	EXHAUST FAN HEAT BAFFLE
		1	ECH WIRING PACKAGE - PWM SIGNAL FROM ECM3D PREWIRE (TELED MOTOR), CCV ROTATION

FAN ACCESSORIES

FAN UNIT NO.	TAG	EXHAUST	SUPPLY
1	EF-LEFT	GREASE CUP GRAVITY DAMPER WALL MOUNT SIDE DISCHARGE	GRAVITY DAMPER MOTORIZED DAMPER WALL MOUNT
2	EF-RIGHT	YES	

CURB ASSEMBLIES

NO	ON FAN	TAG	WEIGHT	ITEM	SIZE
1	# 1	EF-LEFT	34 LBS	CURB	19.500"W X 19.500"L X 24.000"H HINGED
2	# 2	EF-RIGHT	34 LBS	CURB	19.500"W X 19.500"L X 24.000"H HINGED

FEATURES:

- DIRECT DRIVE CONSTRUCTION AND BELTS/PULLEYS
- ROOF MOUNTED FANS
- RESTAURANT MODEL
- UL705 AND UL704 AND UL-SEAS
- VARIABLE SPEED CONTROL
- INTERNAL WIRING
- INTERNAL OVERLOAD PROTECTION (SINGLE PHASE)
- HIGH HEAT OPERATION (BODY GASPS)
- GREASE CLASSIFICATION TESTING
- NEMA 3R SAFETY DISCONNECT SWITCH

NORMAL TEMPERATURE TEST

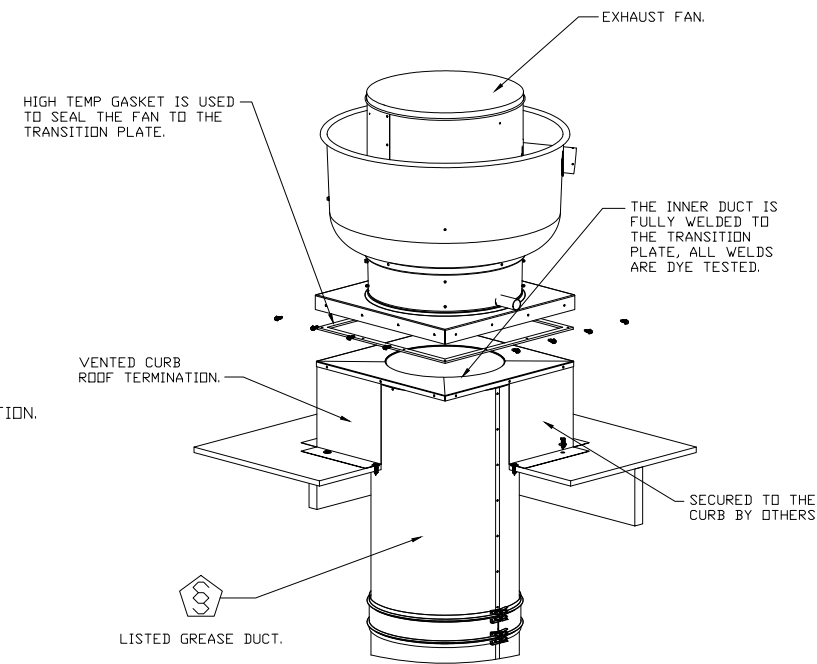
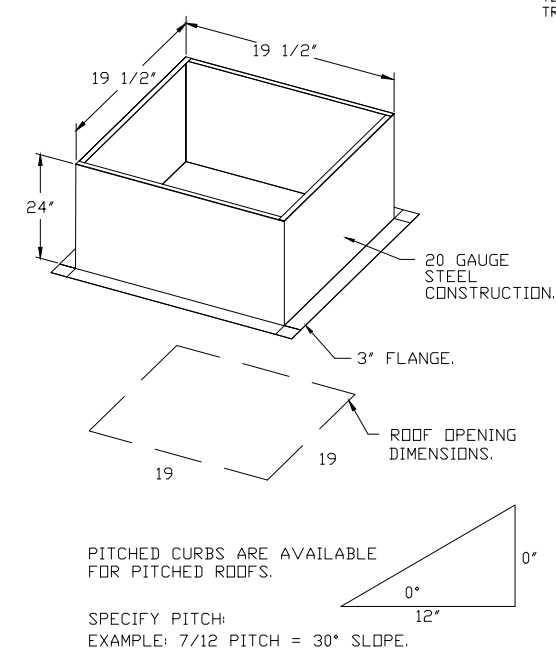
EXHAUST FAN MUST OPERATE CONTINUOUSLY WHILE COMBUSTING BURNING GREASE VAPORS AT 600°F (315°C) FOR A PERIOD OF 15 MINUTES WITHOUT THE FAN BECOMING DAMAGED TO ANY EXTENT THAT COULD CAUSE AN UNSAFE CONDITION.

ABNORMAL FLAME-UP TEST

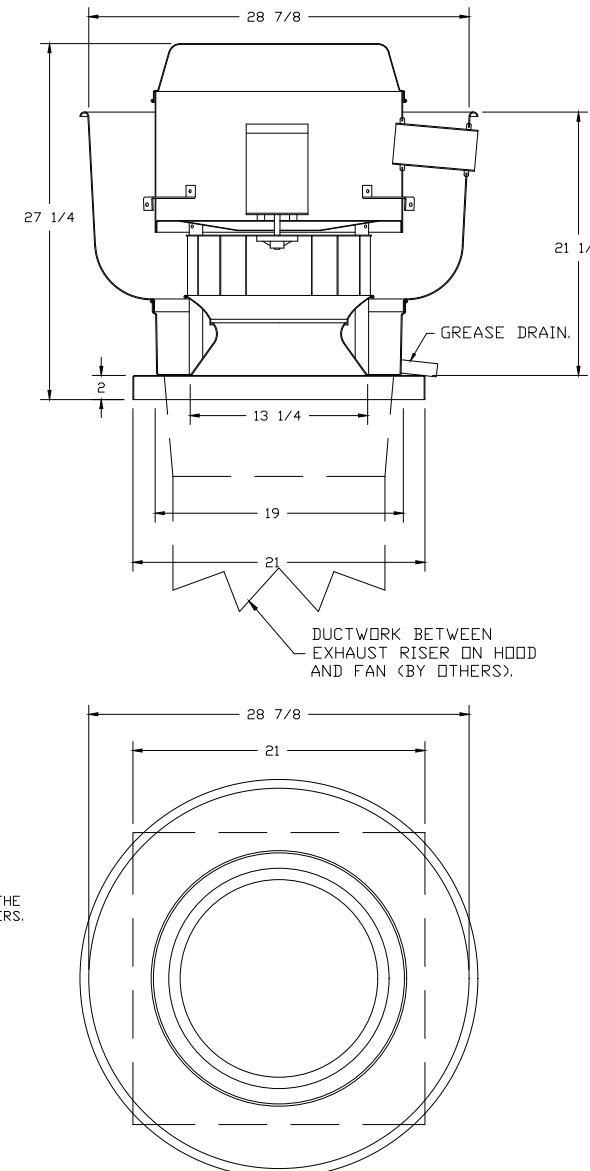
EXHAUST FAN MUST OPERATE CONTINUOUSLY WHILE COMBUSTING BURNING GREASE VAPORS AT 600°F (315°C) FOR A PERIOD OF 15 MINUTES WITHOUT THE FAN BECOMING DAMAGED TO ANY EXTENT THAT COULD CAUSE AN UNSAFE CONDITION.

DESIGNS

GREASE BOX
EXHAUST FAN HEAT BAFFLE
FAN BASE (SINGLE OR 2-PHASE) - SHIP LOOSE -
ECH WIRING PACKAGE - MANUAL OR
E-10VDC REFERENCE SPEED CONTROL
(TELED MOTOR), CCV ROTATION



FANS #1 (EF-LEFT), #2 (EF-RIGHT) - FR-BUS0FA EXHAUST FAN



4 EXHAUST FAN DATA
SCALE: NO SCALE

EXHAUST HOOD DATA

HOOD INFORMATION - PLK 2136 PROTO

HOOD NO.	TAG	MODEL	MANUFACTURER	LENGTH	MAX COOKING TEMP	TYPE	APPLIANCE DUTY	DESIGN CFM/FT	TOTAL EXH CFM	EXHAUST RUNS				HOOD CONSTRUCTION		HOOD CONFIG		
										WIDTH	LENGTH	HEIGHT	Ø	CFM	VEL	SP	END TO END	Ø
1		3347	FRANKE FOODSERVICE	14' 10"	450 DEG	1	MEDIUM	166	2462	4"	12"	1231	1567	-0.734"	430 SS	WHERE EXPOSED	ALONE	ALONE

HOOD INFORMATION

HOOD NO.	TAG	TYPE	FILTERS				LIGHTS				UTILITY CABINETS				FIRE SYSTEM	HOOD SYSTEM	HOOD WEIGHT	
			QTY	HEIGHT	LENGTH	EFFICIENCY @ 7 MICRONS	QTY	TYPE	WIRE GUARD	LOCATION	SIZE	TYPE	SIZE	ELECTRICAL MODEL #				SWITCHES QUANTITY
1		HIGH EFFICIENCY	13	16"	16"	>70%	0										YES	449 LBS

GREASE DUCT & CHIMNEY SPECIFICATIONS:
PROVIDE GREASE DUCT EQUAL TO FRANKE FOODSERVICE SYSTEMS MODEL "FRDW" ROUND 20 GAUGE 430 STAINLESS STEEL DUCTWORK. MODEL "FRDW" IS LISTED TO UL-1978 AND IS INSTALLED USING "V" CLAMP LOCKING CONNECTIONS SEALED WITH 3M FIRE BARRIER 2000 PLUS. MODEL "FRDW" DOES NOT REQUIRE WELDING PROVIDING IT HAS BEEN INSTALLED PER THE MANUFACTURER'S INSTALLATION GUIDE.
PROVIDE RATED ACCESS DOORS AT EVERY CHANGE IN DIRECTION AND EVERY 12' ON CENTER. PER MANUFACTURER'S LISTING MODEL "DW" HORIZONTAL RUNS LESS THAN 75 FT. CAN BE SLOPED 1/16" PER 12". HORIZONTAL RUNS MORE THAN 75 FT. CAN BE SLOPED 3/16" PER 12". DUCT SHOULD BE SLOPED AS MUCH AS POSSIBLE TO REDUCE THE CHANCE OF GREASE ACCUMULATION IN HORIZONTAL RUNS.

IF THE DUCT OR CHIMNEY IS WITHIN 18 INCHES OF COMBUSTIBLE MATERIAL, PROVIDE UL-2221 OR UL-103 HT LISTED DOUBLE WALL GREASE DUCT OR DOUBLE WALL CHIMNEY EQUAL TO FRANKE FOODSERVICE SYSTEMS MODEL "FRDW- 2R, 2R TYPE HT, 3R, OR 3Z" ROUND 20 GAUGE 430 STAINLESS INNER DUCT INSULATED WITH A 24 GAUGE 430 STAINLESS OUTER SHELL.

FRANKE FOODSERVICE SYSTEMS RECOMMENDS THE USE OF LISTED, PRE-FABRICATED ROUND GREASE EXHAUST DUCT TO REDUCE STATIC PRESSURE IN THE SYSTEM, MINIMIZE INSTALLATION AND INSPECTION TIMES, AND ENSURE DUCT IS LIQUID TIGHT

HVAC DISTRIBUTION NOTE
HIGH VELOCITY DIFFUSERS OR HVAC RETURNS SHOULD NOT BE PLACED WITHIN TEN (10) FEET OF THE EXHAUST HOOD. PERFORATED DIFFUSERS ARE RECOMMENDED.

VERIFY CEILING HEIGHT
HEIGHT REQUIRED TO VERIFY THAT HOOD FITS SPACE AND TO SIZE THE ENCLOSURE PANELS

CUSTOMER APPROVAL TO MANUFACTURE:
APPROVED AS NOTED
APPROVED WITH NO EXCEPTION TAKEN
REVISE AND RESUBMIT
SIGNATURE _____ DATE _____
YOUR TITLE _____

3 EXHAUST HOOD DATA
SCALE: NO SCALE

RESTROOM EXHAUST FAN DATA

EXHAUST FAN INFORMATION - JOB PLK PROTO

FAN UNIT NO.	TAG	QTY	FAN UNIT MODEL #	MANUFACTURER	CFM	ESP	RPM	MOTOR ENCL.	HP	BHP	Ø	VOLT	FLA	DISCHARGE VELOCITY	WEIGHT (LBS)	SDNES
3	RESTROOM	1	FR-BR0HFA	FRANKE FOODSERVICE	75	0.25	1015	TEAD-ECH	0.166	0.02	1	115	1.9	50	1.9	

FAN OPTIONS

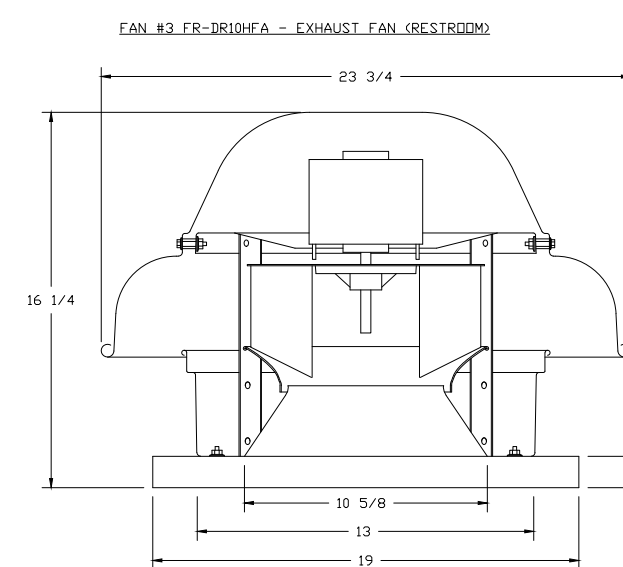
FAN UNIT NO.	TAG	QTY	DESCRIPTION
3	RESTROOM	1	ECH WIRING PACKAGE - MANUAL OR 0-10VDC REFERENCE SPEED CONTROL (TELED MOTOR), CCV ROTATION.

FAN ACCESSORIES

FAN UNIT NO.	TAG	EXHAUST	SUPPLY
3	RESTROOM	GREASE CUP GRAVITY DAMPER WALL MOUNT SIDE DISCHARGE	GRAVITY DAMPER MOTORIZED DAMPER WALL MOUNT

CURB ASSEMBLIES

NO	ON FAN	TAG	WEIGHT	ITEM	SIZE
3	# 3	RESTROOM	25 LBS	CURB	17.500"W X 17.500"L X 20.000"H

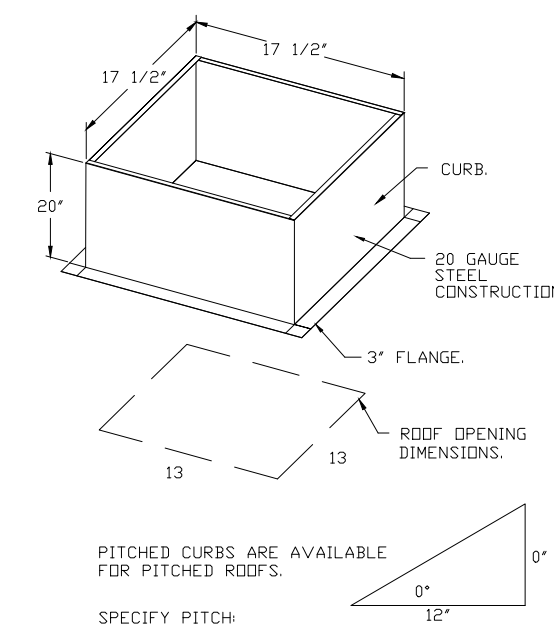


FEATURES:

- DIRECT DRIVE CONSTRUCTION AND BELTS/PULLEYS
- ROOF MOUNTED FANS
- UL705
- SAFETY DISCONNECT
- STANDARD BIRD SCREEN
- SPEED CONTROL

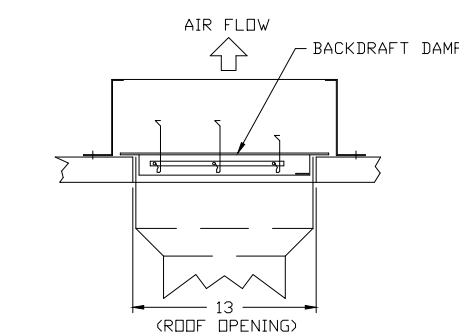
OPTIONS

1 1/2-BBD DAMPER
E-10VDC REFERENCE SPEED CONTROL
(TELED MOTOR), CCV ROTATION



PITCHED CURBS ARE AVAILABLE FOR PITCHED ROOFS.
SPECIFY PITCH
EXAMPLE: 7/12 PITCH = 30° SLOPE.

BACKDRAFT DAMPER INSTALLATION



CUSTOMER APPROVAL TO MANUFACTURE:
APPROVED AS NOTED
APPROVED WITH NO EXCEPTION TAKEN
REVISE AND RESUBMIT
SIGNATURE _____ DATE _____
YOUR TITLE _____

5 RESTROOM EXHAUST FAN DATA
SCALE: NO SCALE

AM029	By
10/01/20	INITIAL ISSUE
A	Revision #
	Date

DESCRIPTION

ISSUE TABLE

No.	Date (mm/dd/yy)	Description
1	8/01/2023	RESPONSE TO CITY
2	9/04/2023	HEALTH COMMENTS
3	9/12/2023	RESPONSE TO CITY

REVISIONS

No.	Date	Description
1	8/01/2023	RESPONSE TO CITY
2	9/04/2023	HEALTH COMMENTS
3	9/12/2023	RESPONSE TO CITY

DRAWINGS REVISED AS PER DESIGN BULLETIN

No.	Date	Description
1	8/01/2023	RESPONSE TO CITY
2	9/04/2023	HEALTH COMMENTS
3	9/12/2023	RESPONSE TO CITY

PROJECT NORTH

THIS DRAWING IS OWNED BY OR LICENSED FOR USE BY POPEYES LOUISIANA KITCHEN (OR ITS AFFILIATED OR RELATED COMPANIES) AND MAY NOT BE REPRODUCED, USED, DOWNLOADED, DISSEMINATED, PUBLISHED OR TRANSMITTED IN ANY FORM OR BY ANY MEANS, EXCEPT WITH THE PRIOR WRITTEN CONSENT OF POPEYES LOUISIANA KITCHEN. COPYRIGHT INFRINGEMENT IS A VIOLATION OF FEDERAL LAW SUBJECT TO CRIMINAL AND CIVIL PENALTIES.

THE CONTRACTOR IS TO VERIFY ALL DIMENSIONS AND CONDITIONS ON THE PROJECT AND TO REPORT ANY DISCREPANCIES TO THE POPEYES LOUISIANA KITCHEN REPRESENTATIVE PRIOR TO COMMENCING WORK. THESE DRAWINGS ARE NOT TO BE USED FOR CONSTRUCTION PURPOSES UNLESS INDICATED BY POPEYES LOUISIANA KITCHEN AS "ISSUED FOR CONSTRUCTION".

9.13.2023

Company Logo

THE DIMENSION GROUP
ARCHITECTURE-CIVIL ENGINEERING-MEP ENGINEERING
10755 SANDHILL ROAD, DALLAS, TEXAS 75238
TEL: 214-343-8000 www.dimensionsgp.com

Project

LOUISIANA KITCHEN

POPEYES

Store Type: US 2112 PROTOTYPE 2112-21

Location: 1517 NC 24-87 CAMERON, NC

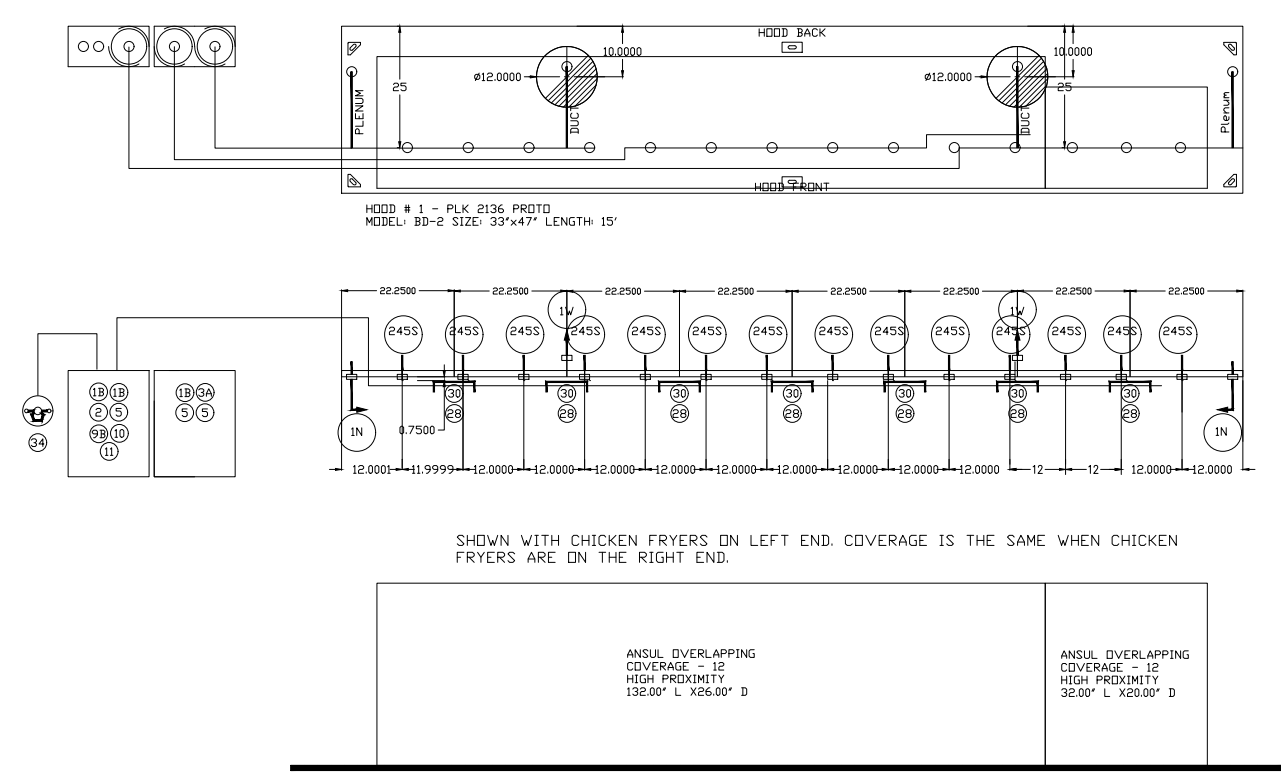
Drawing Title: MECHANICAL HOOD DRAWINGS

Drawn	NI	Checked	AH
Scale	1/4" = 1'-0"	Date	JUNE 2023
Project No.	C22-129	Drawing No.	M3.2

Account: POPEYES Restaurant # PLK 2112
Title: WALL MOUNTED INSTALLATION DETAIL
Site ID: -
Operator: -
Site Address: -
City: -
State: - Zip Code: - Country: -
Region: -
Building Type: -
Electrical Service: -
Gas Service: -
Market Manager: -
Franke Project Number: -
Created by: HP033
Date Issued: 10/01/20
Modified By: AM029
Drawing Scale: AS NOTED
Units: INCHES
Drawing Number: A
Sheet Name: 2 OF 4

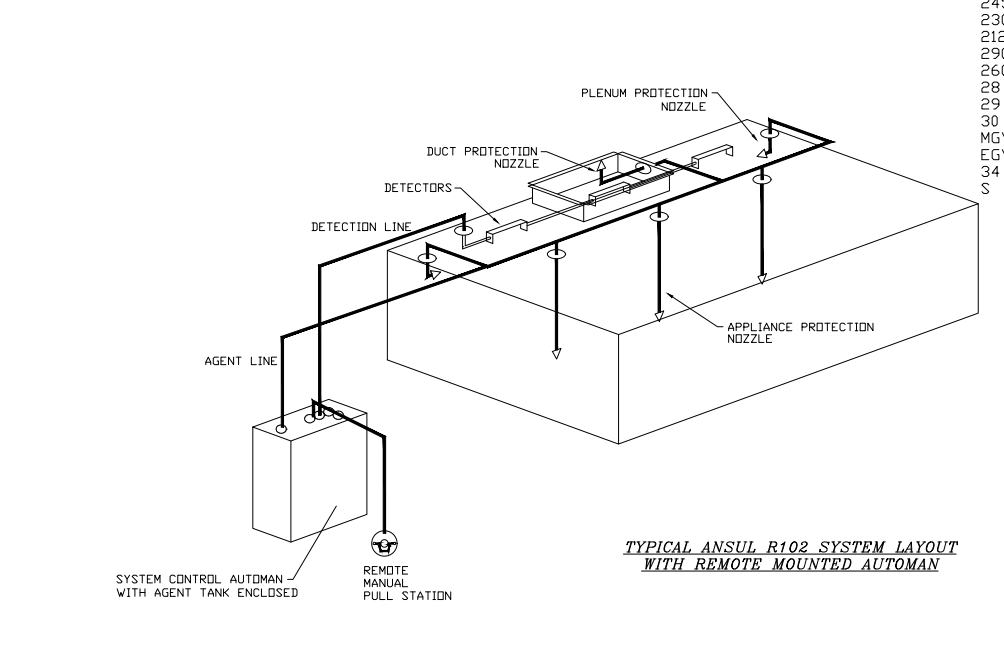
POPEYES LOUISIANA KITCHEN MODEL 2112, 1517 NC 24-87, CAMERON, NC (JUNE 01, 2023) STORE NO. C22-129

DUAL ANSUL SYSTEM - CHICKEN AND FRY HOODS



NOTES:
 - FIELD PIPE DROPS AS SHOWN.
 - SLEEVING, ELBOWS, TEES, AND NOZZLES SUPPLIED BY CAS.
 - ALL NOZZLES TO BE FLOW PATTERNS TO BE BLOCKED BY SLEEVING.
 - CALIBRATED, TESTED, AND APPROVED BY THE MANUFACTURER.
 - MAXIMUM 90° ELBOWS IN SUPPLY LINE.
 - MINIMUM 72 INCHES OF AGENT LINE FROM TANK TO FIRST NOZZLE.
 - COVERING A RANGE FRYER OR HOOD TO REFLECT GENERAL PIPING REQUIREMENTS.
 - IF APPLICABLE, PRE-PIPED CARTRIDGE DROPS ARE SHOWN LOOSE.
 - FACTORY PIPING EXTENDS A MAXIMUM OF 6" ABOVE THE TOP OF THE HOOD.
 - APPLIANCE DIMENSIONS LISTED REPRESENT THE COOKING SURFACE SIZE, NOT THE OVERALL APPLIANCE SIZE.
 - THIS FIRE SYSTEM COMPLIES WITH UL 300 REQUIREMENTS.

JOB # PLK 2136 PROTO
 JOB NAME POPEYES - KITCHEN OF THE FUTURE - STRAIGHT DUCT
 SYSTEM SIZE ANSUL-30/30/30 TOTAL FP REQUIRED: 32
 HOOD # 1 SIZE 12' 0" WIDE x 47' HIGH
 HOOD # 2 SIZE 12' 0" WIDE x 47' HIGH
 HOOD # 3 SIZE 12' 0" WIDE x 47' HIGH
 HOOD # 4 SIZE 12' 0" WIDE x 47' HIGH
 HOOD # 5 SIZE 12' 0" WIDE x 47' HIGH
 HOOD # 6 SIZE 12' 0" WIDE x 47' HIGH
 HOOD # 7 SIZE 12' 0" WIDE x 47' HIGH
 HOOD # 8 SIZE 12' 0" WIDE x 47' HIGH
 HOOD # 9 SIZE 12' 0" WIDE x 47' HIGH
 HOOD # 10 SIZE 12' 0" WIDE x 47' HIGH
 HOOD # 11 SIZE 12' 0" WIDE x 47' HIGH
 HOOD # 12 SIZE 12' 0" WIDE x 47' HIGH
 HOOD # 13 SIZE 12' 0" WIDE x 47' HIGH
 HOOD # 14 SIZE 12' 0" WIDE x 47' HIGH
 HOOD # 15 SIZE 12' 0" WIDE x 47' HIGH
 HOOD # 16 SIZE 12' 0" WIDE x 47' HIGH
 HOOD # 17 SIZE 12' 0" WIDE x 47' HIGH
 HOOD # 18 SIZE 12' 0" WIDE x 47' HIGH
 HOOD # 19 SIZE 12' 0" WIDE x 47' HIGH
 HOOD # 20 SIZE 12' 0" WIDE x 47' HIGH
 HOOD # 21 SIZE 12' 0" WIDE x 47' HIGH
 HOOD # 22 SIZE 12' 0" WIDE x 47' HIGH
 HOOD # 23 SIZE 12' 0" WIDE x 47' HIGH
 HOOD # 24 SIZE 12' 0" WIDE x 47' HIGH
 HOOD # 25 SIZE 12' 0" WIDE x 47' HIGH
 HOOD # 26 SIZE 12' 0" WIDE x 47' HIGH
 HOOD # 27 SIZE 12' 0" WIDE x 47' HIGH
 HOOD # 28 SIZE 12' 0" WIDE x 47' HIGH
 HOOD # 29 SIZE 12' 0" WIDE x 47' HIGH
 HOOD # 30 SIZE 12' 0" WIDE x 47' HIGH
 HOOD # 31 SIZE 12' 0" WIDE x 47' HIGH
 HOOD # 32 SIZE 12' 0" WIDE x 47' HIGH



- 16 15 GALLON TANK
 17 30 GALLON TANK
 18 30 GALLON TANK
 19 30 GALLON TANK ENCLOSURE
 20 30 GALLON TANK ENCLOSURE
 21 30 GALLON TANK ENCLOSURE
 22 30 GALLON TANK ENCLOSURE
 23 30 GALLON TANK ENCLOSURE
 24 30 GALLON TANK ENCLOSURE
 25 30 GALLON TANK ENCLOSURE
 26 30 GALLON TANK ENCLOSURE
 27 30 GALLON TANK ENCLOSURE
 28 30 GALLON TANK ENCLOSURE
 29 30 GALLON TANK ENCLOSURE
 30 30 GALLON TANK ENCLOSURE
 31 30 GALLON TANK ENCLOSURE
 32 30 GALLON TANK ENCLOSURE
 33 30 GALLON TANK ENCLOSURE
 34 30 GALLON TANK ENCLOSURE
 35 30 GALLON TANK ENCLOSURE
 36 30 GALLON TANK ENCLOSURE
 37 30 GALLON TANK ENCLOSURE
 38 30 GALLON TANK ENCLOSURE
 39 30 GALLON TANK ENCLOSURE
 40 30 GALLON TANK ENCLOSURE
 41 30 GALLON TANK ENCLOSURE
 42 30 GALLON TANK ENCLOSURE
 43 30 GALLON TANK ENCLOSURE
 44 30 GALLON TANK ENCLOSURE
 45 30 GALLON TANK ENCLOSURE
 46 30 GALLON TANK ENCLOSURE
 47 30 GALLON TANK ENCLOSURE
 48 30 GALLON TANK ENCLOSURE
 49 30 GALLON TANK ENCLOSURE
 50 30 GALLON TANK ENCLOSURE
 51 30 GALLON TANK ENCLOSURE
 52 30 GALLON TANK ENCLOSURE
 53 30 GALLON TANK ENCLOSURE
 54 30 GALLON TANK ENCLOSURE
 55 30 GALLON TANK ENCLOSURE
 56 30 GALLON TANK ENCLOSURE
 57 30 GALLON TANK ENCLOSURE
 58 30 GALLON TANK ENCLOSURE
 59 30 GALLON TANK ENCLOSURE
 60 30 GALLON TANK ENCLOSURE
 61 30 GALLON TANK ENCLOSURE
 62 30 GALLON TANK ENCLOSURE
 63 30 GALLON TANK ENCLOSURE
 64 30 GALLON TANK ENCLOSURE
 65 30 GALLON TANK ENCLOSURE
 66 30 GALLON TANK ENCLOSURE
 67 30 GALLON TANK ENCLOSURE
 68 30 GALLON TANK ENCLOSURE
 69 30 GALLON TANK ENCLOSURE
 70 30 GALLON TANK ENCLOSURE
 71 30 GALLON TANK ENCLOSURE
 72 30 GALLON TANK ENCLOSURE
 73 30 GALLON TANK ENCLOSURE
 74 30 GALLON TANK ENCLOSURE
 75 30 GALLON TANK ENCLOSURE
 76 30 GALLON TANK ENCLOSURE
 77 30 GALLON TANK ENCLOSURE
 78 30 GALLON TANK ENCLOSURE
 79 30 GALLON TANK ENCLOSURE
 80 30 GALLON TANK ENCLOSURE
 81 30 GALLON TANK ENCLOSURE
 82 30 GALLON TANK ENCLOSURE
 83 30 GALLON TANK ENCLOSURE
 84 30 GALLON TANK ENCLOSURE
 85 30 GALLON TANK ENCLOSURE
 86 30 GALLON TANK ENCLOSURE
 87 30 GALLON TANK ENCLOSURE
 88 30 GALLON TANK ENCLOSURE
 89 30 GALLON TANK ENCLOSURE
 90 30 GALLON TANK ENCLOSURE
 91 30 GALLON TANK ENCLOSURE
 92 30 GALLON TANK ENCLOSURE
 93 30 GALLON TANK ENCLOSURE
 94 30 GALLON TANK ENCLOSURE
 95 30 GALLON TANK ENCLOSURE
 96 30 GALLON TANK ENCLOSURE
 97 30 GALLON TANK ENCLOSURE
 98 30 GALLON TANK ENCLOSURE
 99 30 GALLON TANK ENCLOSURE
 100 30 GALLON TANK ENCLOSURE

8 ANSUL PIPING
 4 SCALE: NO SCALE

7 UL LISTED NON-WELDED DUCT WORK
 4 SCALE: NO SCALE

9 ANSUL FIRE SYSTEM EQUIPMENT SCHEDULE
 4 SCALE: NO SCALE

UL LISTED NON-WELDED DUCT WORK

TAG	PART #	CFM	SP	HEIGHT	VELOCITY	QTY	DESCRIPTION
P1	DW12350MLT-2R-S	1245	-0.0151	40.86	1585.18	1	DOUBLE WALL DUCT - 12" INNER DUCT, 35' LONG - 2 LAYERS REDUCED CLEARANCE - 16" STAINLESS STEEL OUTER SHELL.
P2	DW12470WAD-2R-S	1245	-0.0119	83.19	1585.18	1	DOUBLE WALL ADJUSTABLE DUCT - 12" INNER DUCT - 2 LAYERS REDUCED CLEARANCE - 16" STAINLESS STEEL OUTER SHELL. MIN LENGTH = 11' / MAX LENGTH = 48.5' / ADJUSTMENT = 30.5' / ADJUSTABLE SECTION MAY NEED TO BE CUT. INCLUDES SINGLE AND DOUBLE WALL "V" CLAMPS.
P3	DW1245500MLTP-2R-S	1245	-0.02	53.52	1585.18	1	DOUBLE WALL DUCT - 12" INNER DUCT, 45.5' LONG - 2 LAYERS REDUCED CLEARANCE - 16" STAINLESS STEEL OUTER SHELL - USED WITH TRANSITION PLATE.
P4	DW121270PXB	1245	7.50	1585.18	1	DUCT TO CURB TRANSITION 3/4" DOWN TURN, 19-1/2" CURB TO 12" DUCT, 16 GA ALUMINIZED STEEL. FOR USE WITH EXHAUST FANS.	
P5	DW12350MLT-2R-S	1245	-0.0151	40.86	1585.18	1	DOUBLE WALL DUCT - 12" INNER DUCT, 35' LONG - 2 LAYERS REDUCED CLEARANCE - 16" STAINLESS STEEL OUTER SHELL.
P6	DW12470WAD-2R-S	1245	-0.0119	83.19	1585.18	1	DOUBLE WALL ADJUSTABLE DUCT - 12" INNER DUCT - 2 LAYERS REDUCED CLEARANCE - 16" STAINLESS STEEL OUTER SHELL. MIN LENGTH = 11' / MAX LENGTH = 48.5' / ADJUSTMENT = 30.5' / ADJUSTABLE SECTION MAY NEED TO BE CUT. INCLUDES SINGLE AND DOUBLE WALL "V" CLAMPS.
P7	DW1245500MLTP-2R-S	1245	-0.02	53.52	1585.18	1	DOUBLE WALL DUCT - 12" INNER DUCT, 45.5' LONG - 2 LAYERS REDUCED CLEARANCE - 16" STAINLESS STEEL OUTER SHELL - USED WITH TRANSITION PLATE.
P8	DW121270PXB	1245	7.50	1585.18	1	DUCT TO CURB TRANSITION 3/4" DOWN TURN, 19-1/2" CURB TO 12" DUCT, 16 GA ALUMINIZED STEEL. FOR USE WITH EXHAUST FANS.	
P9	3M-2000PLUS		-0.799	0.00		1	DUCT - 3M FIRE BARRIER 2000 PLUS SILICONE - USED AS SEALANT TO SEAL DUCT JOINTS.
TOTAL WEIGHT							370.94

DOUBLE WALL FACTORY BUILT DUCTWORK
 - ALL DUCTWORK IS REQUIRED TO BE INSTALLED WITH THE MAXIMUM SUPPORT SPACING LISTED BELOW.
 - FOR A COMPLETE LIST OF APPROVED SUPPORT METHODS, SEE THE ENTIRE INSTALLATION AND OPERATION MANUAL.
 - DUCTWORK SHALL SLOPE NOT LESS THAN 1/16" PER LINEAR FOOT TOWARDS THE HOOD OR AN APPROVED GREASE COLLECTION RESERVOIR.
 - WHERE HORIZONTAL DUCTS EXCEED 75 FEET IN LENGTH, THE SLOPE SHALL NOT BE LESS THAN 3/16" PER LINEAR FOOT.

DUCT DIAMETER	HORIZONTAL SUPPORT (FT)	VERTICAL CURB SUPPORT (FT)	VERTICAL CURB SUPPORT (FT)
12"	10'	10'	24'

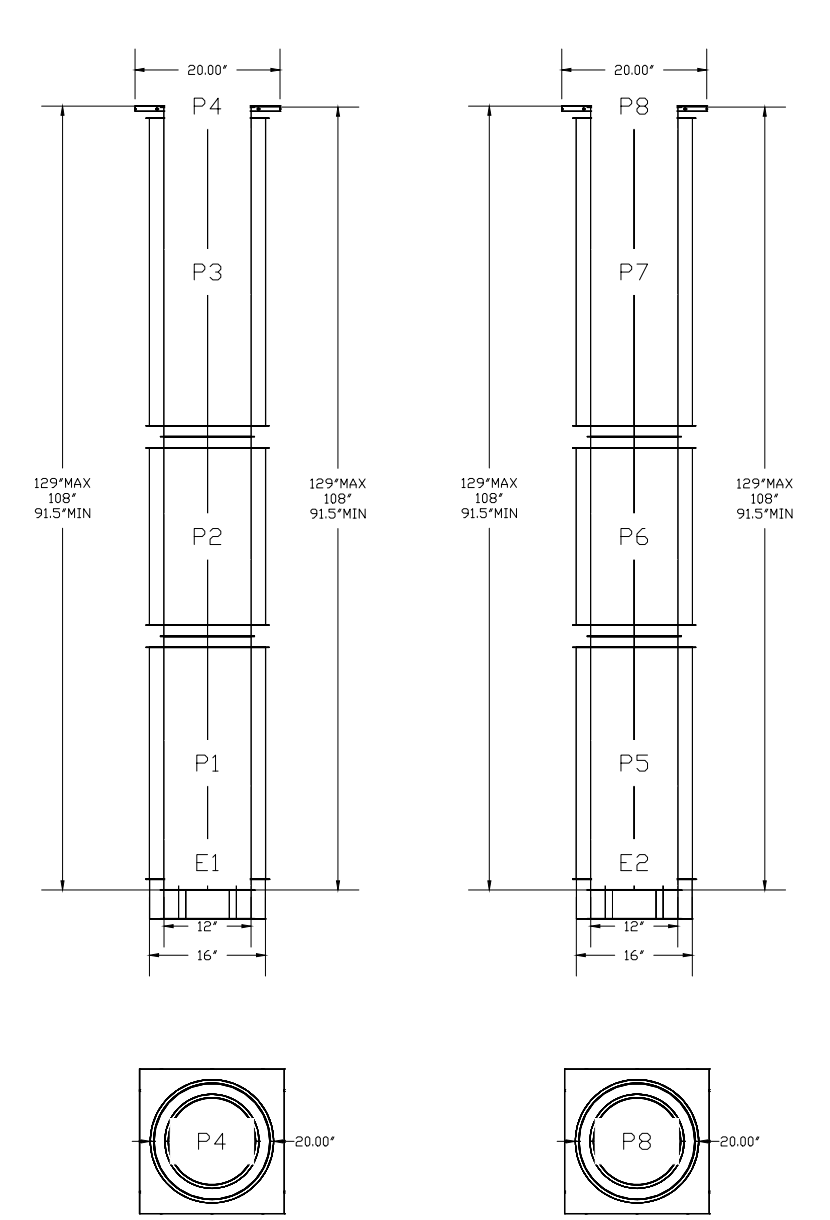
CONFORMS TO UL STD 2221 AND UL STD 1978
 CERTIFIED TO CAN/ULC-S115, CAN/ULC-S662 AND ASTM E814
 MODEL # FRDW-2R
 Double Wall Duct - 10" Inner Duct, 2 Layers Reduced Clearance - 14" Stainless Steel Outer Shell

Notes:
 - This duct has been evaluated for use as a 2 hour fire rated grease duct system. It is classified as an alternative to 2 hour fire resistive rated shaft enclosure systems.
 - For grease duct systems installed without a continuous fire-rated enclosure, an evaluated through-penetrated fire stop assembly shall be used.
 - Complies all applicable requirements of the referenced standards as required by the National Building Code of Canada (NBCC), International Mechanical Code (IMC) or NFPA96, and when installed in accordance with the manufacturer's recommended installation instructions.
 Clearances:
 - This duct may be installed with a clearance from the outer surface of the duct to combustible materials. The outer v-band may be installed in contact with combustible materials.



DO NOT LEAK TEST USING SMOKE BOMBS CONTAINING CHLORINES/CHLORIDES.

DUCTWORK #1 FRONT VIEW DOUBLE WALL DUCT



AM029 By
 10/01/20 INITIAL ISSUE Description Date
 A Revision #

ISSUE TABLE

No.	Date (mm/dd/yyyy)	Description
1	8/01/2023	RESPONSE TO CITY
2	9/04/2023	HEALTH COMMENTS
3	9/12/2023	RESPONSE TO CITY

DRAWINGS REVISED AS PER DESIGN BULLETIN

No.	Date	Description
1	8/01/2023	RESPONSE TO CITY
2	9/04/2023	HEALTH COMMENTS
3	9/12/2023	RESPONSE TO CITY

PROJECT NORTH

THIS DRAWING IS OWNED BY OR LICENSED FOR USE BY POPEYES LOUISIANA KITCHEN (OR ITS AFFILIATED OR RELATED COMPANIES) AND MAY NOT BE REPRODUCED, USED, DOWNLOADED, COPIED, OR TRANSMITTED IN ANY FORM OR BY ANY MEANS, EXCEPT WITH THE PRIOR WRITTEN CONSENT OF POPEYES LOUISIANA KITCHEN. COPYRIGHT INFRINGEMENT IS A VIOLATION OF FEDERAL LAW SUBJECT TO CRIMINAL AND CIVIL PENALTIES.

THE CONTRACTOR IS TO VERIFY ALL DIMENSIONS AND CONDITIONS ON THE PROJECT AND TO REPORT ANY DISCREPANCIES TO THE POPEYES LOUISIANA KITCHEN REPRESENTATIVE PRIOR TO COMMENCING WORK. THESE DRAWINGS ARE NOT TO BE USED FOR CONSTRUCTION PURPOSES UNLESS INDICATED BY POPEYES LOUISIANA KITCHEN AS ISSUED FOR CONSTRUCTION.

9.13.2023

Company Logo

Account: POPEYES Restaurant # PLK 2112
 Title: WALL MOUNTED INSTALLATION DETAIL

Site ID
 Operator
 Site Address
 City
 State Zip Code Country
 Region

Store Type: US 2112 PROTOTYPE 2112-21

Location: 1517 NC 24-87 CAMERON, NC

Drawing Title: MECHANICAL HOOD DRAWINGS

Created by: HP033
 Date Issued: 10/01/20
 Modified by: AM029
 Drawing Scale: AS NOTED
 Units: INCHES
 Drawing Number: A

Drawn: NI Checked: AH
 Scale: 1/4" = 1'-0" Date: JUNE 2023
 Project No: C22-129 Drawing No: M3.4

4 OF 4

ANSUL FIRE SYSTEM EQUIPMENT SCHEDULE

FIRE SYSTEM INFORMATION - JOB PLK 2136 PROTO				INSTALLATION	
FIRE SYSTEM NO.	TAG	TYPE	SIZE	FLOW POINTS	LOCATION ON HOOD
1	ANSUL R100		30/30/30	32	WALL MOUNT LEFT N/A

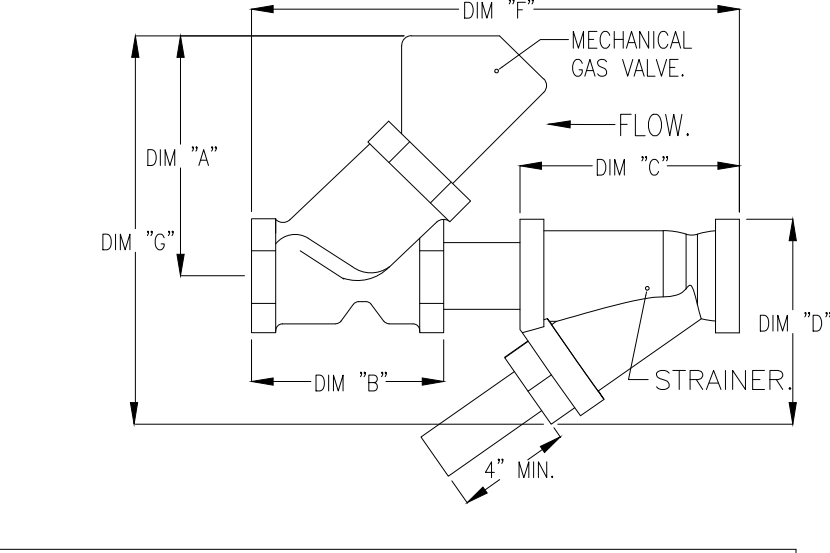
GAS VALVES(S)				SUPPLIED BY	
FIRE SYSTEM NO.	TAG	TYPE	SIZE	FRANKE FOODSERVICE SYSTEMS	
1		MECHANICAL	1500	FRANKE FOODSERVICE SYSTEMS	

FIRE SYSTEM PARTS LIST KEY				QTY BY	
FIRE SYSTEM NO.	TAG	KEY NUMBER - PART DESCRIPTION	BY FACTORY	BY DIST	
0	0	4399861 LARGE BLOWOFF CAP, METAL, TO FIT NEW LASER-ETCHED ANSUL NOZZLES. A0024201	18	0	
1	1	AT - 30 TANK/AGENT - 30 GALLON ES TANK (FOR USE WITH AUTOMAN RELEASE, ACTUATOR, OR SS ENCLOSURE (UL/ULC) MACDLA # 01-429862)	3	0	
2	2	AP - AN AUTOMAN RELEASE - ANSUL AUTOMAN MECHANICAL RELEASE (UL) TANK SOLD SEPARATELY. ANSUL PART # 429870; MACDLA # 01-429870	1	0	
3	3	AP - AE ENCLOSURE (DOUBLE) - DOUBLE STAINLESS STEEL ENCLOSURE (UL); ANSUL PART # 429870; MACDLA # 01-429870	1	0	
3	3	AP - AE ENCLOSURE - STAINLESS STEEL ENCLOSURE ASSEMBLY (UL); ANSUL PART # 429870; MACDLA # 01-429870	0	0	
5	5	LIQ-30 AGENT - ANSUL LOW PW VET CHEMICAL AGENT, 3 GALLON (UL) 79372	3	0	
9	9	BT-CMNT DOUBLE TANK NITROGEN CARTRIDGE	0	1	
10	10	T-LNK LINK - TEST LINK (I TEST LINK) ANSUL PART # 24916; MACDLA # 20-24916	1	0	
11	11	MICRO-SDA MICROSWITCH KIT- INCLUDES 2 SWITCHES AND MOUNTING HARDWARE. SINGLE DUAL ELECTRIC SWITCH, ONE STANDARD SWITCH, ONE ALARM DUTY SWITCH. ANSUL PART # 437155; MACDLA # 08-437155	1	0	
14	14	419326 NOZZLE - 1W NOZZLE, DUCT/APPLIANCE (REPLACES ANSUL PART# 419347; CAS PART# 419326) A0001266	2	0	
16	16	419325 NOZZLE - IN NOZZLE, PLENUM/APPLIANCE (REPLACES ANSUL PART# 419346; CAS PART# 419325) A0001265	2	0	
20	20	419340 NOZZLE - 245 NOZZLE, APPLIANCE (REPLACES ANSUL PART# 419351; PART# 419340) A0001270	14	0	
25	25	419649 NOZZLE ADAPTOR - SVVVEL NOZZLE ADAPTOR (REPLACES CAS PART # 419649) A0001274	14	0	
26	26	05A-3/8 BULK SEAL - 3/8" (UL)	18	0	
27	27	05A-1/2 PULLEY SEAL - 1/2" HOOD SEAL (UL) ANSUL PART # 423253; MACDLA # 32-79768	1	0	
28	28	5-DET DETECTOR SERIES (SCISSOR LINKAGE) ANSUL PART # 435547/435548 (CLD # 412765/424480); MACDLA # 05-412765	7	0	
30	30	ANS-500FL FUSIBLE LINK - 500DEG F, R-102 AND PIRANHA; ANSUL PART # 439232; MACDLA # 06-4820	7	0	
34	34	RPS-A REMOTE PULL STATION - RED COMPOSITE (WITHOUT WIRE ROPE) 434618 (CLD # 412678; MACDLA # 11-412678)	1	0	
35	35	PE-LT PULLEY ELBOW - LOW TEMP. PULLEY ELBOW, SET SCREW TYPE ANSUL PART # 415678; MACDLA # 11-415678	0	10	
36	36	PE-HT PULLEY ELBOW - HIGH TEMP. PULLEY ELBOW, COMPRESSION TYPE ANSUL PART # 423251; MACDLA # 10-45771	1	0	

GAS VALVES AND STRAINERS											
GAS VALVE SIZING						GAS VALVE DIMENSIONS					
TYPE	SIZE	VOLTAGE	MIN. INLET PRESSURE	MAX. INLET PRESSURE	FLOW AT 1 IN.W.C. DROP NATURAL GAS	FLOW AT 1 IN.W.C. DROP PROPANE	DIM "A"	DIM "X"	DIM "Y"	DIM "Z"	DIM "W"
GAS VALVE FOR F50	MECHANICAL	1-1/2"	N/A	0 PSIG (0 IN.W.C.)	2,630,000 BTU/HR	1,706,569 BTU/HR	6-3/8"	4-7/8"	5-3/4"	6-5/16"	11-5/8"

ALL GAS VALVES/STRAINERS
 PROPER CLEARANCE MUST BE PROVIDED IN ORDER TO SERVICE THE STRAINER. A MINIMUM OF 4" CLEARANCE (ROUND) MUST BE PROVIDED AT THE BASE OF THE STRAINER. CUSTOMER MUST VERIFY BTU CONSUMPTION AS WELL AS PRESSURE RATING SPECIFIC GRAVITY OF NATURAL GAS = 0.64, SPECIFIC GRAVITY OF LP = 1.52.

CALCULATIONS
 TO CALCULATE GAS FLOW FOR OTHER THAN 1 IN.W.C. PRESSURE DROP:
 NEW BTU/HR = (BTU/HR AT 1 IN.W.C. PRESSURE DROP) X NEW PRESSURE DROP
 TO CALCULATE GAS FLOW FOR OTHER THAN 0.64 SPECIFIC GRAVITY:
 NEW BTU/HR = (BTU/HR AT 0.64) X (0.64 / NEW SPECIFIC GRAVITY)



Franks Foodservice Systems Americas, Inc.
 800 Aviation Parkway Smyrna, TN USA 37187
 Tel: +800 472-2954
 fs_customerservice.us@franke.com
 www.frankeusa.com

© 2021 Franke Foodservice Americas, Inc.
 These drawings and specifications are the property of Franke Technology and Trademark Ltd. and shall not be reproduced, copied or transmitted in any form or by any means, except with the prior written permission of Franke Technology and Trademark Ltd. (franke.com)

Exclusion of Liability
 FRANKE takes no responsibility for the accuracy of the floor plans and construction drawings. All dimensions and conditions specified by FRANKE must be checked by the client prior to construction. Specifications for owner furnished and corrections are related to equipment supplied by FRANKE. All third party accessories must be with the responsibility of the client. FRANKE reserves the right to change equipment without notice.

Account: POPEYES Restaurant # PLK 2112
 Title: WALL MOUNTED INSTALLATION DETAIL

Site ID
 Operator
 Site Address
 City
 State Zip Code Country
 Region

Store Type: US 2112 PROTOTYPE 2112-21

Location: 1517 NC 24-87 CAMERON, NC

Drawing Title: MECHANICAL HOOD DRAWINGS

Created by: HP033
 Date Issued: 10/01/20
 Modified by: AM029
 Drawing Scale: AS NOTED
 Units: INCHES
 Drawing Number: A

Drawn: NI Checked: AH
 Scale: 1/4" = 1'-0" Date: JUNE 2023
 Project No: C22-129 Drawing No: M3.4

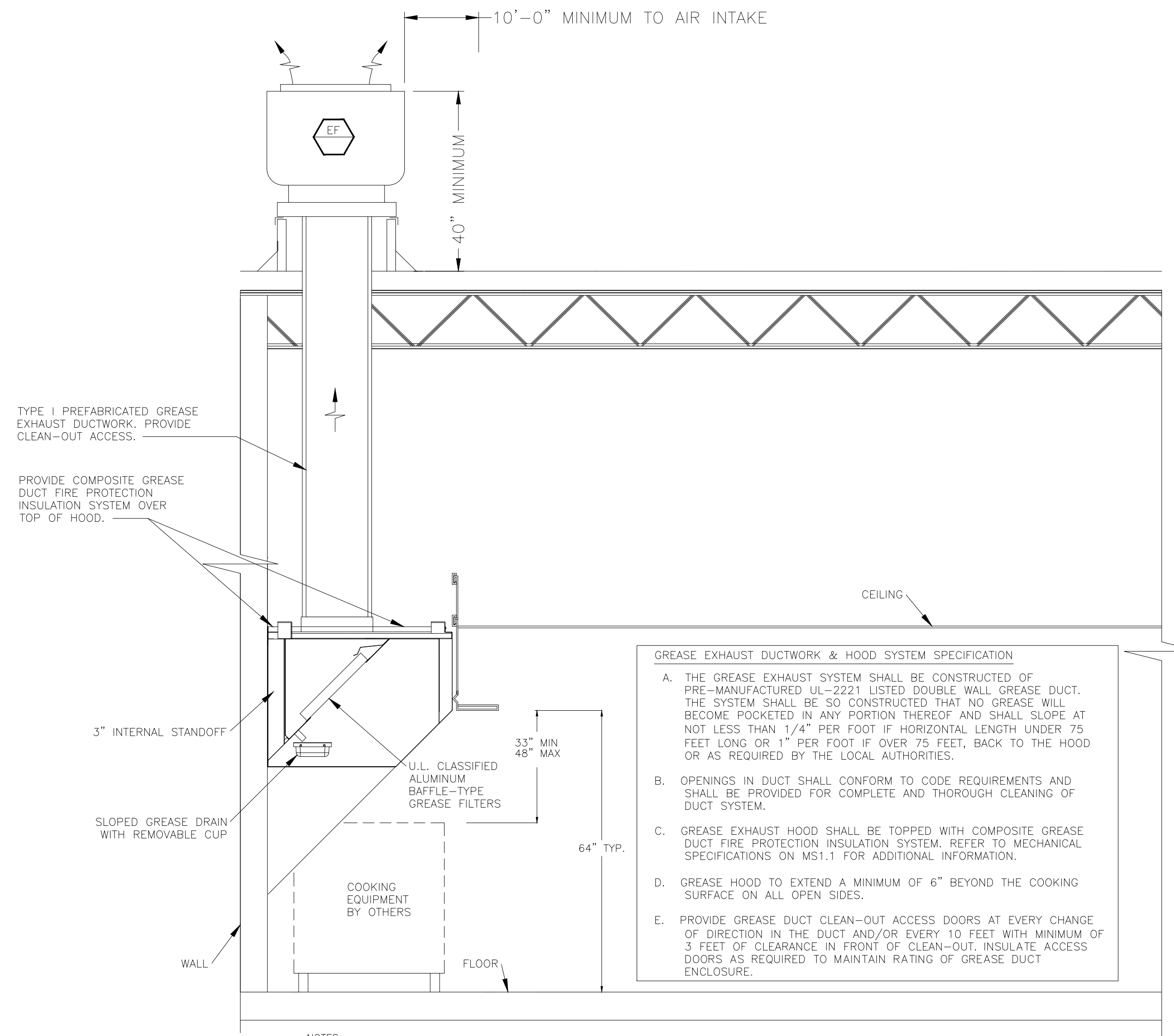
4 OF 4



1517 NC 24-87 CAMERON, NC

MECHANICAL HOOD DRAWINGS

POPEYES LOUISIANA KITCHEN MODEL 2112, 1517 NC 24-87, CAMERON, NC (JUNE 01, 2023) STORE NO. C22-129

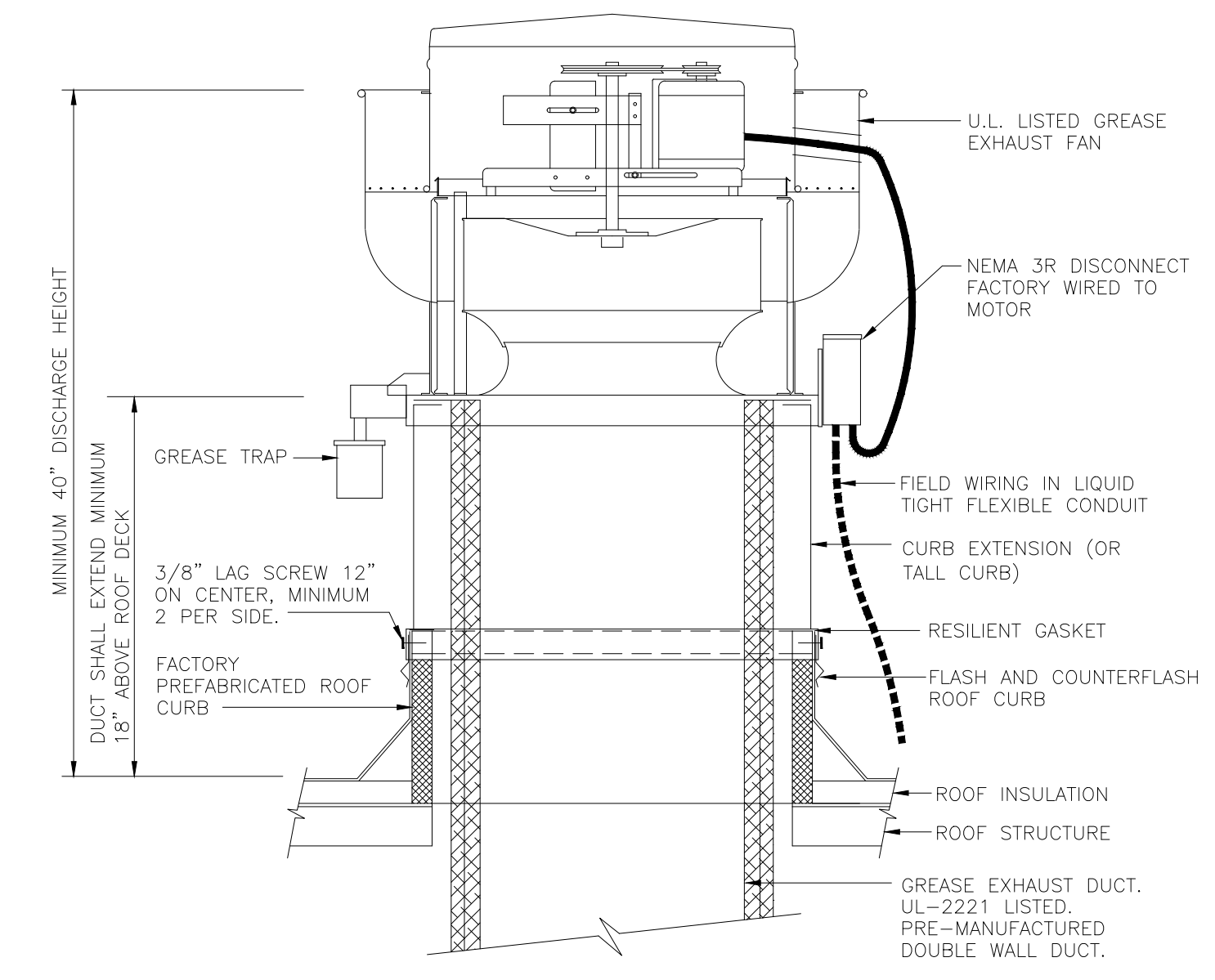


- NOTES:
1. PROVIDE UL LISTED TYPE 1 EXHAUST HOOD.
 2. GREASE HOOD SHALL MEET THE REQUIREMENTS OF MECHANICAL CODE, NSF AND NFPA FOR A TYPE 1 HOOD.
 3. FIRE DEPARTMENT APPROVAL SHALL BE REQUIRED ON FIRE PROTECTION SYSTEM FOR GREASE HOODS AND DUCTS AS REQUIRED BY MECHANICAL AND FIRE CODES.
 4. PROVIDE CHEMICAL FIRE SUPPRESSION SYSTEM AS REQUIRED BY NFPA 17A.
 5. PERFORM SMOKE TEST ON GREASE EXHAUST DUCTWORK AFTER DUCTWORK INSTALLATION IS COMPLETE BUT PRIOR TO DUCTWORK CONCEALMENT PER REQUIREMENTS OF LOCAL CODE AUTHORITIES.

05 KITCHEN HOOD SCHEMATICS
NOT TO SCALE

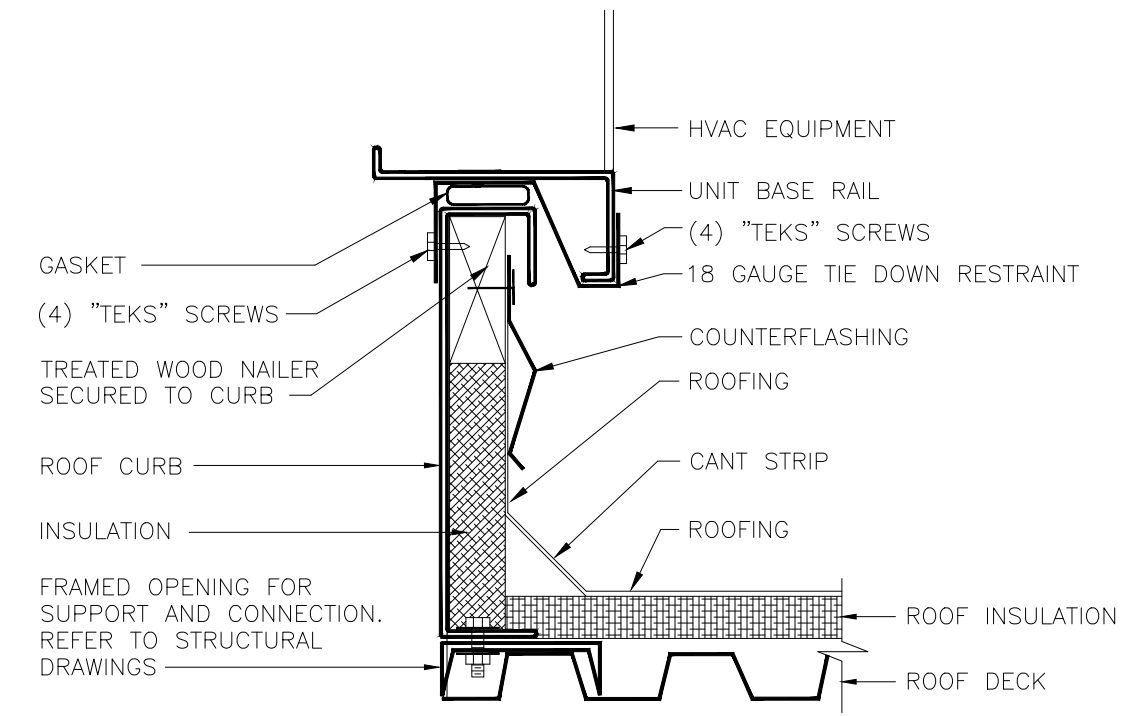
GREASE EXHAUST DUCTWORK & HOOD SYSTEM SPECIFICATION

- A. THE GREASE EXHAUST SYSTEM SHALL BE CONSTRUCTED OF PRE-MANUFACTURED UL-2221 LISTED DOUBLE WALL GREASE DUCT. THE SYSTEM SHALL BE SO CONSTRUCTED THAT NO GREASE WILL BECOME POKETED IN ANY PORTION THEREOF AND SHALL SLOPE AT NOT LESS THAN 1/4" PER FOOT IF HORIZONTAL LENGTH UNDER 75 FEET LONG OR 1" PER FOOT IF OVER 75 FEET, BACK TO THE HOOD OR AS REQUIRED BY THE LOCAL AUTHORITIES.
- B. OPENINGS IN DUCT SHALL CONFORM TO CODE REQUIREMENTS AND SHALL BE PROVIDED FOR COMPLETE AND THOROUGH CLEANING OF DUCT SYSTEM.
- C. GREASE EXHAUST HOOD SHALL BE TOPPED WITH COMPOSITE GREASE DUCT FIRE PROTECTION INSULATION SYSTEM. REFER TO MECHANICAL SPECIFICATIONS ON MS1.1 FOR ADDITIONAL INFORMATION.
- D. GREASE HOOD TO EXTEND A MINIMUM OF 6" BEYOND THE COOKING SURFACE ON ALL OPEN SIDES.
- E. PROVIDE GREASE DUCT CLEAN-OUT ACCESS DOORS AT EVERY CHANGE OF DIRECTION IN THE DUCT AND/OR EVERY 10 FEET WITH MINIMUM OF 3 FEET OF CLEARANCE IN FRONT OF CLEAN-OUT. INSULATE ACCESS DOORS AS REQUIRED TO MAINTAIN RATING OF GREASE DUCT ENCLOSURE.

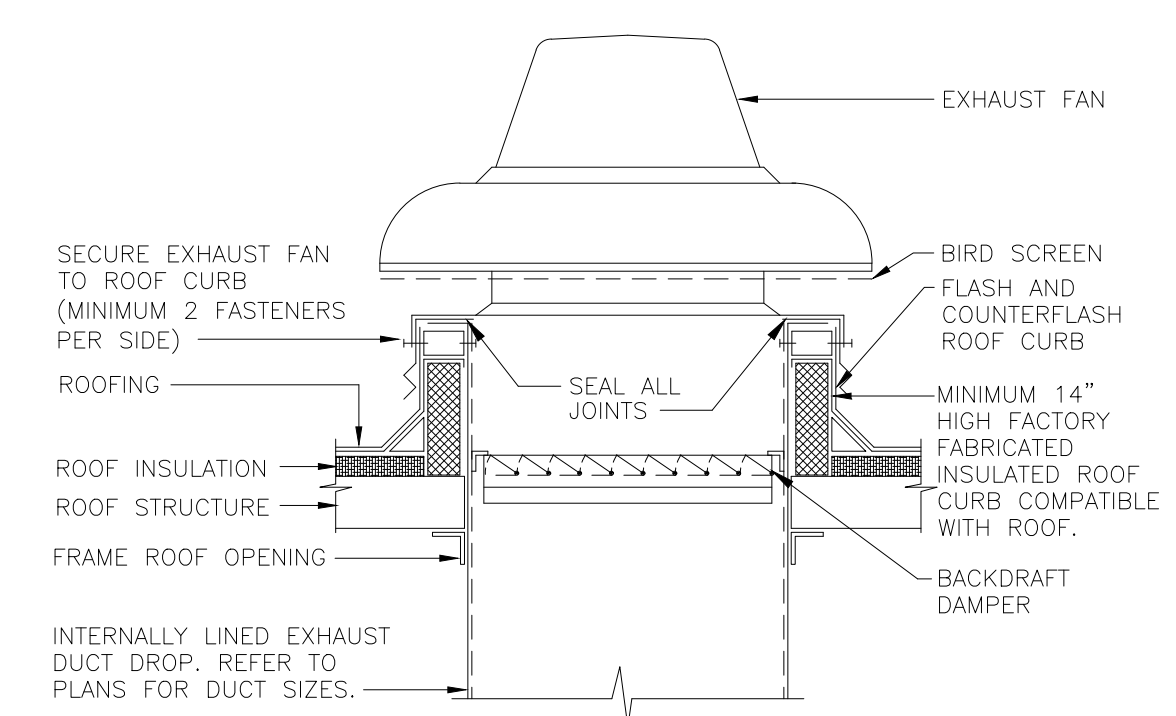


NOTE: INSTALLATION SHALL BE IN ACCORDANCE WITH NFPA 96 REQUIREMENTS.

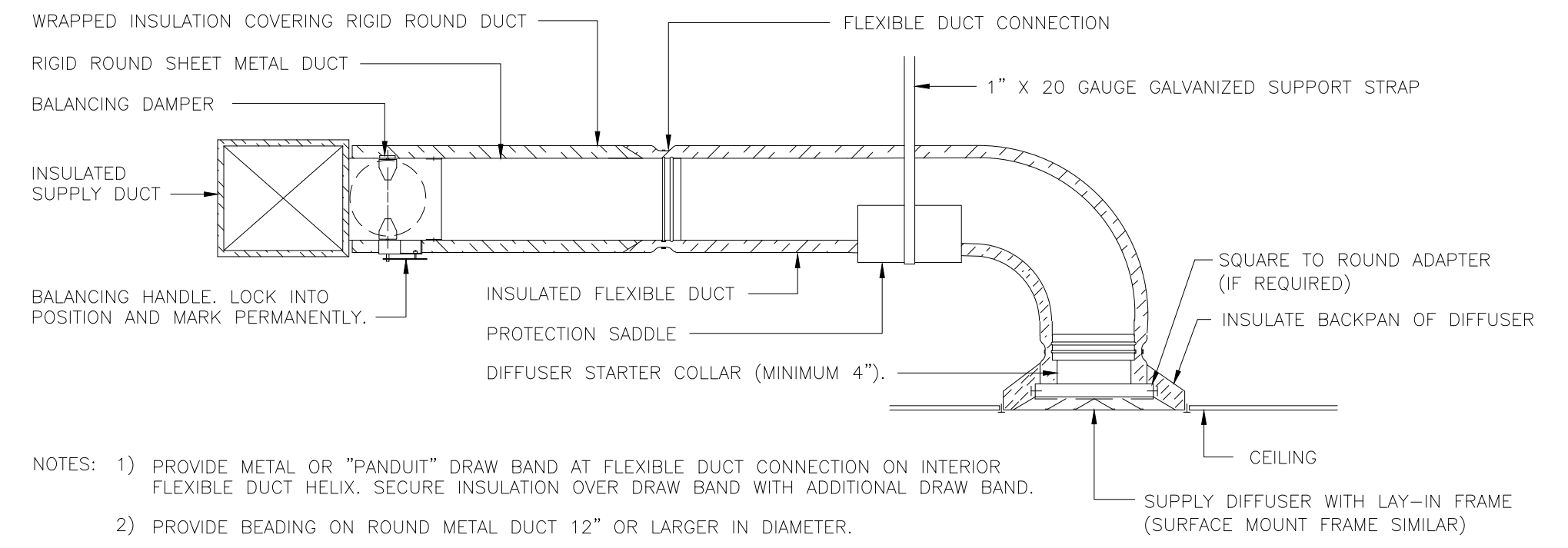
01 ROOF MOUNTED GREASE EXHAUST FAN DETAIL
NOT TO SCALE



03 ROOFTOP UNIT CURB DETAIL
NOT TO SCALE



02 EXHAUST FAN DETAIL
NOT TO SCALE



- NOTES:
- 1) PROVIDE METAL OR "PANDUIT" DRAW BAND AT FLEXIBLE DUCT CONNECTION ON INTERIOR FLEXIBLE DUCT HELIX. SECURE INSULATION OVER DRAW BAND WITH ADDITIONAL DRAW BAND.
 - 2) PROVIDE BEADING ON ROUND METAL DUCT 12" OR LARGER IN DIAMETER.
 - 3) PROVIDE MINIMUM 4" COLLARS FOR ATTACHMENT OF FLEXIBLE DUCT TO ROUND DUCT, DAMPERS AND DIFFUSERS.
 - 4) BAND RIGID ROUND DUCT INSULATION TO DUCT AND PROVIDE TAPE FOR INSULATION OVERLAP.

04 DIFFUSER CONNECTION DETAIL
NOT TO SCALE

ISSUE TABLE		
No.	Date (mm/dd/yy)	Description

REVISIONS		
No.	Date	Description
1	8/01/2023	RESPONSE TO CITY
2	9/04/2023	HEALTH COMMENTS
3	9/12/2023	RESPONSE TO CITY

DRAWINGS REVISED AS PER DESIGN BULLETIN		
No.	Date	Description



THIS DRAWING IS OWNED BY OR LICENSED FOR USE BY POPEYES LOUISIANA KITCHEN (OR ITS AFFILIATED OR RELATED COMPANIES) AND MAY NOT BE REPRODUCED, USED, DOWNLOADED, DISSEMINATED, PUBLISHED OR TRANSFERRED IN ANY FORM OR BY ANY MEANS, EXCEPT WITH THE PRIOR WRITTEN CONSENT OF POPEYES LOUISIANA KITCHEN. COPYRIGHT INFRINGEMENT IS A VIOLATION OF FEDERAL LAW SUBJECT TO CRIMINAL AND CIVIL PENALTIES.

THE CONTRACTOR IS TO VERIFY ALL DIMENSIONS AND CONDITIONS ON THE PROJECT AND TO REPORT ANY DISCREPANCIES TO THE POPEYES LOUISIANA KITCHEN REPRESENTATIVE PRIOR TO COMMENCING WORK. THESE DRAWINGS ARE NOT TO BE USED FOR CONSTRUCTION PURPOSES UNLESS INDICATED BY POPEYES LOUISIANA KITCHEN AS "ISSUED FOR CONSTRUCTION".



9.13.2023

Company Logo

Project

POPEYES

Store Type
US 2112 PROTOTYPE
2112-21

Location
1517 NC 24-87
CAMERON, NC

Drawing Title
MECHANICAL DETAILS

Drawn NI	Checked AH
Scale 1/4" = 1'-0"	Date JUNE 2023
Project No. C22-129	Drawing No. M4.1

POPEYES LOUISIANA KITCHEN MODEL 2112, 1517 NC 24-87, CAMERON, NC (JUNE 01, 2023) STORE NO. C22-129

HVAC SEQUENCE OF OPERATIONS

PROVIDE ALL NECESSARY SENSORS, DAMPER ACTUATORS, CONTROL TRANSFORMERS WITH SECONDARY OVERLOAD PROTECTION, WIRING AND CONDUIT TO ACCOMPLISH FOLLOWING SEQUENCE OF OPERATION:

ROOFTOP UNIT:

THERMOSTATS SHALL BE SET TO DETERMINE OCCUPIED AND UNOCCUPIED HOURS OF OPERATION. HOURS SHALL BE COORDINATED WITH OWNER. ROOFTOP UNITS SHALL BE INTERLOCKED WITH KITCHEN EXHAUST FANS TO PROVIDE MAKE-UP AIR FOR HOODS.

OCCUPIED MODE:

SUPPLY FAN SHALL RUN CONTINUOUSLY AND OUTSIDE AIR DAMPER SHALL OPEN TO MINIMUM POSITION TO DELIVER SCHEDULED QUANTITY OF VENTILATION AIR.

SUPPLY FAN SPEED SHALL VARY AIRFLOW AS A FUNCTION OF LOAD. DURING NON-COOLING, FIRST STAGE COOLING, AND NON-HEATING TIMES, SUPPLY FAN SHALL RUN AT MINIMUM SPEED. DURING SECOND STAGE COOLING AND HEATING TIMES, SUPPLY FAN SHALL RUN AT FULL SPEED. OUTSIDE AIR DAMPER SHALL MODULATE POSITION TO MAINTAIN REQUIRED QUANTITY OF OUTSIDE AIR AS SUPPLY FAN VARIES SPEED.

COOLING:

WHEN SPACE TEMPERATURE RISES ABOVE OCCUPIED COOLING SET POINT, PACKAGED DIRECT EXPANSION COOLING SHALL BE ENERGIZED AND STAGE AS REQUIRED TO MAINTAIN SPACE TEMPERATURE.

ECONOMIZER:

WHEN OUTDOOR AIR TEMPERATURE IS BELOW 65°F (ADJUSTABLE), ECONOMIZER SHALL MODULATE BETWEEN ITS MINIMUM SET POINT AND FULL OPEN TO MAINTAIN SPACE COOLING SET POINT, SUBJECT TO A MIXED AIR TEMPERATURE LOW LIMIT CONTROLLER SET POINT OF 55°F. IF OUTDOOR TEMPERATURE IS ABOVE COMPRESSOR LOCKOUT THERMOSTAT SETTING, MECHANICAL COOLING SHALL BE ENABLED AS SECOND STAGE OF COOLING.

DEHUMIDIFICATION (WHERE APPLICABLE):

WHEN SPACE HUMIDITY READING EXCEEDS 55%RH (ADJUSTABLE), REFRIGERATION SYSTEM SHALL OPERATE AND INITIATE HOT GAS REHEAT AS REQUIRED TO MAINTAIN SPACE HUMIDITY.

HEATING:

WHEN SPACE TEMPERATURE FALLS BELOW OCCUPIED HEATING SET POINT, GAS HEATER SHALL BE ENERGIZED IN STAGES (WHERE APPLICABLE) TO MAINTAIN SPACE TEMPERATURE.

UNOCCUPIED MODE:

COOLING:

UPON SIGNAL FROM THERMOSTAT, SUPPLY FAN SHALL BE DE-ENERGIZED AND OUTSIDE AIR DAMPER SHALL CLOSE. IF SPACE TEMPERATURE RISES 2 DEGREES OR MORE ABOVE UNOCCUPIED SET POINT, OUTSIDE AIR DAMPER SHALL REMAIN CLOSED, SUPPLY FAN SHALL BE ACTIVATED AND DX COOLING SHALL BE STAGED AS REQUIRED TO MAINTAIN UNOCCUPIED SPACE TEMPERATURE. WHEN TEMPERATURE FALLS 2 DEGREES BELOW SET POINT, COMPRESSOR SHALL BE DE-ENERGIZED AND SUPPLY FAN SHALL SHUT OFF.

HEATING:

UPON A SIGNAL FROM THERMOSTAT, SUPPLY FAN SHALL BE DE-ENERGIZED AND OUTSIDE AIR DAMPER SHALL CLOSE. IF SPACE TEMPERATURE FALLS 2 DEGREES OR MORE BELOW SET POINT, OUTSIDE AIR DAMPER SHALL REMAIN CLOSED, SUPPLY FAN SHALL BE ACTIVATED AND GAS HEAT SHALL BE ENERGIZED UNTIL UNOCCUPIED SPACE TEMPERATURE IS SATISFIED. WHEN TEMPERATURE RISES 2 DEGREES ABOVE SET POINT, GAS HEAT SHALL BE DISABLED AND SUPPLY FAN SHALL BE DE-ENERGIZED.

MORNING WARM-UP/COOL-DOWN:

CONTROLS SHALL BE CAPABLE OF AUTOMATICALLY ADJUSTING DAILY START TIME OF UNIT IN ORDER TO BRING EACH SPACE TO DESIRED OCCUPIED TEMPERATURE IMMEDIATELY PRIOR TO SCHEDULED OCCUPANCY.

OCCUPIED COOLING SET POINT	75 DEGREES
OCCUPIED HEATING SET POINT:	70 DEGREES
UNOCCUPIED COOLING SET POINT:	85 DEGREES
UNOCCUPIED HEATING SET POINT:	55 DEGREES

A SMOKE DETECTOR SHALL DE-ENERGIZE ROOFTOP UNIT SUPPLY FAN AND CLOSE OUTSIDE AIR DAMPER IN BOTH OCCUPIED AND UNOCCUPIED MODES WHENEVER SMOKE IS SENSED BY SMOKE DETECTORS.

MECHANICAL SPECIFICATIONS

PROVIDE EQUIPMENT INDICATED ON DRAWINGS, AND AS REQUIRED FOR A COMPLETE FUNCTIONING SYSTEM.

DEFINITIONS: FURNISH MEANS TO SUPPLY AND DELIVER TO PROJECT SITE. READY FOR INSTALLATION. INSTALL MEANS TO PLACE IN POSITION AND MAKE CONNECTIONS FOR SERVICE OR USE. PROVIDE MEANS TO FURNISH AND INSTALL, COMPLETE AND READY FOR INTENDED USE.

WARRANTY: PROVIDE LABOR AND MATERIALS TO REPAIR OR REPLACE DEFECTIVE PARTS AND MATERIALS AS REQUIRED FOR ONE YEAR AFTER SUBSTANTIAL COMPLETION OR OWNER ACCEPTANCE OF COMPLETED PROJECT. PROVIDE SEPARATE LINE ITEM DEDUCT AMOUNT ON THE PROPOSAL FORM TO DELETE WARRANTY SERVICE, AT OWNER'S OPTION.

COORDINATION: COORDINATE WITH WORK OF OTHER TRADES, EQUIPMENT FURNISHED BY OTHERS, REQUIREMENTS OF OWNER, AND WITH CONSTRAINTS OF EXISTING CONDITIONS OF PROJECT SITE.

DUCT DIMENSIONS: UNLESS OTHERWISE NOTED, DUCT DIMENSIONS ON DRAWINGS ARE INSIDE CLEAR DIMENSIONS.

SHEET METAL DUCTWORK: PROVIDE SHEET METAL DUCTWORK FABRICATED AND INSTALLED IN ACCORDANCE WITH ASHRAE AND SMACNA STANDARDS, FOR 1" W.G. PRESSURE CLASS. SEAL CLASS "A" SHEET METAL SHALL BE GALVANIZED SHEET STEEL OF LOCK FORMING QUALITY, WITH G90 ZINC COATING. SHEET STEEL SHALL COMPLY WITH ASTM A653 STANDARD SPECIFICATION FOR STEEL SHEET METAL, ZINC COATED (GALVANIZED) OR ZINC-IRON ALLOY-COATED (GALVANNEALD) BY HOT DIP PROCESS, AND A924 STANDARD SPECIFICATION FOR GENERAL REQUIREMENTS FOR SHEET, METALLIC-COATED BY HOT DIP PROCESS. ALL ANGLE IRON USED FOR SUPPORT SHALL BE GALVANIZED. CONNECTIONS TO WALLS OR FLOOR SHALL BE AIR TIGHT WITH ANGLE IRON AND CAULKING. SEAL ALL DUCT SEAMS, TRANSVERSE AND LONGITUDINAL, AIR TIGHT. PROVIDE TURNING VANES AT ALL 90° ELBOWS.

REFRIGERANT PIPING: TYPE ACR HARD DRAWN COPPER TUBING MEETING THE REQUIREMENTS OF ASTM B280, WITH WROUGHT COPPER FITTINGS MEETING REQUIREMENTS OF ANSI B16.22, WITH BRAZED JOINTS MEETING REQUIREMENTS OF AWS A 5.8, USING BAG-1 (SILVER) FILLER MATERIAL. INSULATE SUCTION LINE PIPING WITH 1" THICK ARMAFLEX TYPE AP. PAINT INSULATION LOCATED OUTDOORS WITH ARMAFLEX WB FINISH.

ROUND SHEET METAL DUCT: PROVIDE SPIRAL SEAM (ALL SIZES) OR SNAP LOCK (CONCEALED DUCT SIZES UP TO 10") GALVANIZED STEEL COMPLYING WITH SMACNA STANDARDS. SPIRAL SEAM DUCTWORK SHALL HAVE SMACNA SEAM TYPE RL-1.

FLEXIBLE DUCT: PROVIDE FACTORY ASSEMBLED CLASS 1 AIR DUCT (UL 181) WITH 1" THICK 1 PCF FIBERGLASS INSULATION AND REINFORCED OUTER PROTECTIVE COVER/VAPOR BARRIER. FLEXIBLE DUCT SHALL MEET NFPA 90A WITH FLAME SPREAD UNDER 25, SMOKE DEVELOPED UNDER 50, AND SHALL BE RATED FOR MINIMUM 2" W.G. PRESSURE AND 0 TO 250°F TEMPERATURE. PROVIDE SCREW-OPERATED METAL ADJUSTABLE CLAMPING DEVICES. USE TWIST-LOCK TAP COLLARS AT CONNECTIONS INTO SHEET METAL DUCTWORK. MAXIMUM EXTENDED LENGTH OF FLEXIBLE DUCT SHALL NOT EXCEED 6 FEET.

DUCT SEALANT: PROVIDE WATER BASED SYNTHETIC LATEX EMULSION PERMANENTLY FLEXIBLE HIGH VELOCITY DUCT SEALANT, DUCTMATE INDUSTRIES INC., PRO SEAL OR EQUAL. SEALANT TO BE LOW VOC LEED COMPLIANT CAPABLE OF 15" W.G., NFPA 90A AND 90B APPROVED, UL 181B-M LISTED AND UL 723 CLASSIFIED. INSTALL PER MANUFACTURER INSTRUCTIONS. SEALANT SHALL BE APPROVED FOR PLENUM INSTALLATIONS AND MEET FLAME SPREAD AND SMOKE DEVELOPED RATINGS FOR PLENUM APPLICATIONS.

DUCT INSULATION (ALL ROUND SUPPLY DUCT AND ROUND RETURN DUCT ABOVE CEILING): PROVIDE MINIMUM 1-1/2" THICK BLANKET TYPE FIBERGLASS INSULATION COMPLYING WITH ASTM C-553, TYPE II, WITH FACTORY APPLIED KRAFT BONDED TO ALUMINUM FOIL REINFORCED WITH FIBERGLASS VAPOR BARRIER/JACKET. JACKET SHALL CONFORM TO ASTM C-1136, TYPE II. INSTALLED R VALUE SHALL BE 4.2 OR HIGHER WITH 0.75 PCF DENSITY.

DUCT LINER (ALL RECTANGULAR SUPPLY AND RETURN DUCT): PROVIDE MINIMUM 1" THICK, 2 PCF DENSITY, LONG TEXTILE FIBER TYPE DUCT LINER, WITH COATING ON AIR STREAM SIDE CONFORMING TO NFPA 90A. DUCT LINER SHALL BE SECURED TO DUCT WITH BOTH ADHESIVE AND MECHANICAL FASTENERS. ADHESIVE SHALL BE LEED COMPLIANT LOW VOC AS RECOMMENDED BY DUCT LINER MANUFACTURER, AND SHALL COMPLY WITH ASTM C-916. DUCT LINER FASTENERS SHALL COMPLY WITH SMACNA "HVAC DUCT CONSTRUCTION STANDARDS", LATEST EDITION. THERMAL CONDUCTIVITY SHALL BE EQUAL TO OR LESS THAN 0.24 AT 75°F.

ROUND VOLUME DAMPERS: PROVIDE MINIMUM 20 GAUGE GALVANIZED STEEL FRAME AND BLADES, MINIMUM 3/8" SQUARE STEEL AXLE, MOLDED SYNTHETIC BEARINGS, WITH LOCKING POSITION REGULATOR. REGULATOR SHALL BE POSITIONED WITH SHEET METAL BRACKET BEYOND DUCT COVERING, WHERE POSITIONING REGULATOR IS NOT ACCESSIBLE, PROVIDE COUPLING AND EXTENSION ROD WITH REGULATOR FOR CEILING OR WALL INSTALLATION, AS REQUIRED.

RECTANGULAR VOLUME DAMPERS: PROVIDE MINIMUM 16 GAUGE GALVANIZED STEEL CHANNEL FRAME, 16 GAUGE GALVANIZED STEEL BLADES, MINIMUM 1/2" HEXAGONAL AXLE, MOLDED SYNTHETIC BEARINGS, WITH 3/8" SQUARE PLATED STEEL CONTROL SHAFT. LINKAGES SHALL BE CONCEALED IN FRAME. OPERATING SHAFT SHALL EXTEND BEYOND FRAME AND DUCT TO A LOCKING QUADRANT WITH ADJUSTABLE LEVER. MAXIMUM BLADE WIDTH SHALL NOT EXCEED 6".

DUCT TURNING VANES: PROVIDE FABRICATED TURNING VANES AND VANE RUNNERS CONSTRUCTED IN ACCORDANCE WITH SMACNA "HVAC DUCT CONSTRUCTION STANDARDS". PROVIDE TURNING VANES CONSTRUCTED OF CURVED BLADES, SUPPORTED WITH BARS PERPENDICULAR TO BLADES, AND SET INTO SIDE STRIPS SUITABLE FOR MOUNTING IN DUCTWORK. FOLLOW SMACNA GUIDELINES FOR SPACING SUPPORT, AND CONSTRUCTION. ALL BLADES SHALL BE DOUBLE THICKNESS AIRFOIL TYPE.

FLEXIBLE DUCT CONNECTORS: PROVIDE UL LABELED 30 OUNCE NEOPRENE COATED FIBERGLASS FABRIC DUCT CONNECTORS AT DUCT CONNECTIONS TO VIBRATING EQUIPMENT.

DUCT ACCESS DOORS: PROVIDE HINGED ACCESS DOORS IN DUCTWORK WHERE REQUIRED FOR ACCESS TO EQUIPMENT. PROVIDE INSULATED ACCESS DOORS FOR INSULATED DUCTWORK. CONSTRUCT OF SAME OR THICKER GAUGE SHEET METAL AS DUCT IN WHICH IT IS INSTALLED. PROVIDE FLUSH FRAMES FOR UNINSULATED DUCTS, AND EXTENDED FRAMES FOR EXTERNALLY INSULATED DUCTS. PROVIDE CONTINUOUS HINGE ON ONE SIDE, WITH ONE HANDLE-TYPE LATCH FOR ACCESS DOORS 12" HIGH AND SMALLER, AND TWO HANDLE-TYPE LATCHES FOR LARGER ACCESS DOORS.

DUCT ACCESS DOORS: PROVIDE HINGED ACCESS DOORS IN DUCTWORK WHERE REQUIRED FOR ACCESS TO EQUIPMENT. PROVIDE INSULATED ACCESS DOORS FOR INSULATED DUCTWORK. CONSTRUCT OF SAME OR THICKER GAUGE SHEET METAL AS DUCT IN WHICH IT IS INSTALLED. PROVIDE FLUSH FRAMES FOR UNINSULATED DUCTS, AND EXTENDED FRAMES FOR EXTERNALLY INSULATED DUCTS. PROVIDE CONTINUOUS HINGE ON ONE SIDE, WITH ONE HANDLE-TYPE LATCH FOR ACCESS DOORS 12" HIGH AND SMALLER, AND TWO HANDLE-TYPE LATCHES FOR LARGER ACCESS DOORS.

MECHANICAL PIPING IDENTIFICATION: PROVIDE PIPE MARKERS, FLOW ARROWS AND ENGRAVED PLASTIC-LAMINATE SIGNS FOR MECHANICAL PIPING AND VALVES TO COMPLY WITH ANSI A13.1. PROVIDE ONLY ONE TYPE OF PIPE MARKERS AND FLOW ARROWS FOR ALL SYSTEMS.

GREASE EXHAUST DUCTWORK: FACTORY FABRICATED DOUBLE WALL DUCTWORK COMPLIANT WITH UL 2221 AND UL 1978. SEE HOOD SYSTEM DRAWINGS FOR MORE INFORMATION.

COMPOSITE GREASE DUCT FIRE PROTECTION INSULATION ASSEMBLY: PROVIDE FLEXIBLE BLANKET-TYPE INSULATION COMPOSED OF FIBER BLANKET ENCAPSULATED IN AN ALUMINUM FOIL SCRIM, PROVIDING A NONCOMBUSTIBLE WRAP TO PROVIDE A VAPOR AND DUST BARRIER. DUCT WRAP SYSTEM SHALL HAVE FLAME SPREAD INDEX OF NOT MORE THAN 5 AND SMOKE DEVELOPED INDEX NOT EXCEEDING 5, WHEN TESTED PER ASTM E-84 METHOD. INSULATION AND JACKET SHALL BE RATED FOR OPERATING TEMPERATURES UP TO 2000°F. DUCT WRAP SYSTEM MUST COMPLY WITH ALL FIVE FIRE TESTS OF STANDARD ASTM E2336, GREASE DUCT ENCLOSURE SYSTEM, AND THE DUCT FIRESTOP SYSTEM SHALL BE ASTM E 814 CLASSIFIED. PROVIDE COMPOSITE GREASE DUCT FIRE PROTECTION INSULATION FROM ONE OF THE FOLLOWING: THERMAL CERAMICS FIREMASTER FASTWRAP XL, UNIFRAX FYREWAP 2.0 MAX.

MECHANICAL EQUIPMENT IDENTIFICATION: PROVIDE ENGRAVED PLASTIC LAMINATE LABEL FOR EACH MAJOR ITEM OF MECHANICAL EQUIPMENT AND EACH OPERATIONAL DEVICE. LETTERS SHALL BE MINIMUM OF 1/2" HIGH. PROVIDE SIGNS TO INFORM OPERATOR OF OPERATIONAL REQUIREMENTS, TO INDICATE SAFETY AND EMERGENCY PRECAUTIONS, AND TO WARN OF HAZARDS AND IMPROPER OPERATION.

TESTING AND BALANCING: TEST AND ADJUST ALL MECHANICAL SYSTEMS AND EQUIPMENT TO ASSURE PROPER BALANCE AND OPERATION. PERFORM TESTS IN ACCORDANCE WITH THE MOST CURRENT NEBB OR AABC, AND ASHRAE STANDARDS. ELIMINATE OBJECTIONABLE NOISE AND VIBRATION, AND ASSURE PROPER FUNCTION OF CONTROLS. BALANCING CONTRACTOR SHALL BE AN INDEPENDENT CERTIFIED TEST AND BALANCE CONTRACTOR, WITH NEBB OR AABC CERTIFICATION. SUBMIT COMPLETED AND CERTIFIED TEST AND BALANCE REPORT TO OWNER'S REPRESENTATIVE. BALANCE ALL SYSTEMS TO WITHIN 5% OF AIR FLOWS INDICATED ON THE DRAWINGS. AND REPORT DISCREPANCIES TO HVAC INSTALLER FOR CORRECTION. MARK FINAL BALANCE POSITIONS ON DAMPERS WITH PERMANENT MARKER.

OPERATIONS AND MAINTENANCE MANUALS (O&M): AT COMPLETION OF PROJECT PROVIDE A MINIMUM OF TWO O&M MANUALS IN THREE RING BINDERS TO OWNER/TENANT. MANUALS SHALL HAVE TABS LABELED WITH ALL SECTIONS SEPARATED WITH A CLEAR INDEX AT FRONT. PROVIDE WARRANTY LETTER AT FRONT OF MANUAL STATING DATES OF WARRANTY (START DATE AND END DATE) AND CONTACTS WITH PHONE NUMBERS FOR WARRANTY WORK. PROVIDE NARRATIVE OF HOW EACH SYSTEM IS INTENDED TO OPERATE INCLUDING RECOMMENDED SETPOINTS. MANUALS SHALL INCLUDE SUBMITTALS OF ALL EQUIPMENT, SIZE AND OPTIONS SELECTED. PROVIDE ALL BALANCING REPORTS, PROVIDE MANUFACTURER LITERATURE FOR OPERATIONS AND MAINTENANCE FOR ALL EQUIPMENT ON PROJECT. ALL PERIODIC AND ROUTINE MAINTENANCE SHALL BE CLEARLY IDENTIFIED. PROVIDE CONTROLS SECTION LISTING SYSTEM OPERATING AND CONTROL INSTRUCTIONS, MAINTENANCE, CALIBRATION, WIRING DIAGRAMS, SCHEMATICS AND CONTROL SEQUENCE DESCRIPTIONS.

SHOP DRAWINGS/SUBMITTALS: SUBMIT ELECTRONIC SUBMITTALS AND SHOP DRAWINGS VIA EMAIL AS PDF ELECTRONIC FILES. PROVIDE SEPARATE PDF SUBMITTALS ON ALL MECHANICAL EQUIPMENT (INCLUDING CONTROLS PACKAGES), AIR DISTRIBUTION DEVICES, DUCTWORK, DAMPERS, AND INSULATION. SUBMITTALS AND SHOP DRAWINGS SHALL INCLUDE THE FOLLOWING INFORMATION:

- PROJECT NAME
- DATE
- NAME AND ADDRESS OF ARCHITECT AND MEP ENGINEER
- NAME OF CONSTRUCTION MANAGER
- NAME OF CONTRACTOR
- NAME OF FIRM OR ENTITY THAT PREPARED SUBMITTAL
- NAMES OF SUBCONTRACTOR, MANUFACTURER, AND SUPPLIER.
- CATEGORY AND TYPE OF SUBMITTAL
- SUBMITTAL PURPOSE AND DESCRIPTION
- MANUFACTURER NAME
- PRODUCT NAME
- DRAWING NUMBER AND DETAIL REFERENCES, AS APPROPRIATE
- INDICATION OF FULL OR PARTIAL SUBMITTAL
- TRANSMITTAL NUMBER
- REMARKS

IDENTIFY DEVIATIONS FROM THE CONTRACT DOCUMENTS ON SHOP DRAWINGS AND SUBMITTALS. FURNISH COPIES OF FINAL SUBMITTALS TO MANUFACTURERS, SUBCONTRACTORS, SUPPLIERS, FABRICATORS, INSTALLERS, AUTHORITIES HAVING JURISDICTION, AND OTHERS AS NECESSARY FOR PERFORMANCE OF CONSTRUCTION ACTIVITIES. SHOW DISTRIBUTION ON TRANSMITTAL FORMS.

SUBMITTALS SHALL INCLUDE (AS APPLICABLE):

- MANUFACTURER'S CATALOG CUTS
- MANUFACTURER'S PRODUCT SPECIFICATIONS
- STATEMENT OF COMPLIANCE WITH SPECIFIED REFERENCED STANDARDS
- TESTING BY RECOGNIZED TESTING AGENCY
- APPLICATION OF TESTING AGENCY LABELS AND SEALS
- WIRING DIAGRAMS SHOWING FACTORY-INSTALLED WIRING
- PERFORMANCE CURVES
- OPERATIONAL RANGE DIAGRAMS
- CLEARANCES REQUIRED TO OTHER CONSTRUCTION, IF NOT INDICATED ON SHOP DRAWINGS.

FULL SIZE SHOP DRAWINGS SHALL INCLUDE (AS APPLICABLE):

- IDENTIFICATION OF PRODUCTS
- SCHEDULES
- COMPLIANCE WITH SPECIFIED STANDARDS
- NOTATION OF COORDINATION REQUIREMENTS
- NOTATION OF DIMENSIONS ESTABLISHED BY FIELD MEASUREMENT
- RELATIONSHIP AND ATTACHMENT TO ADJOINING CONSTRUCTION CLEARLY INDICATED.

MECHANICAL CONTRACTOR IS RESPONSIBLE FOR PROVIDING DUCT SHOP DRAWINGS TO THE ENGINEER FOR REVIEW PRIOR TO FABRICATION AND INSTALLATION.

MECHANICAL SYMBOLS LEGEND

ABBREVIATIONS:

AHJ	AUTHORITY HAVING JURISDICTION
BTU	BRITISH THERMAL UNIT
CFM	CUBIC FEET PER MINUTE
DB	DRY BULB
EA	EXHAUST AIR
EAT	ENTERING AIR TEMPERATURE
ESP	EXTERNAL STATIC PRESSURE
GC	GENERAL CONTRACTOR
HZ	FREQUENCY
LAT	LEAVING AIR TEMPERATURE
MC	MECHANICAL CONTRACTOR
NC	NOISE CRITERIA
RTU	ROOFTOP UNIT
WB	WET BULB

GRILLES/DIFFUSERS:

	SUPPLY DIFFUSER
	RETURN GRILLE
	EXHAUST GRILLE

DOUBLE LINE DUCT SYMBOLS:

	NEW SHEET METAL DUCTWORK & SIZE
	SUPPLY OR OUTSIDE AIR DUCT
	RETURN AIR DUCT
	EXHAUST AIR DUCT
	DUCTWORK TRANSITION
	DUCTWORK TRANSITION - RECTANGULAR TO ROUND
	SUPPLY DUCT ELBOW UP OR DOWN
	RETURN DUCT ELBOW UP OR DOWN
	EXHAUST DUCT ELBOW UP OR DOWN
	DUCT ELBOW WITH FIXED TURNING VANES
	DUCT BRANCH TAKE-OFF
	ROUND SPIN-IN WITH DAMPER
	VOLUME DAMPER
	FLEXIBLE DUCTWORK

GENERAL REFERENCES/NOTATIONS:

	SQUARE NOTE DESIGNATION
	REVISION DESIGNATION
	MECHANICAL EQUIPMENT DESIGNATION
	DIFFUSER DESIGNATION AND CFM

EQUIPMENT:

	ROOF MOUNTED EXHAUST FAN
	ROOFTOP UNIT
	THERMOSTAT - ELECTRIC
	TEMPERATURE SENSOR
	TEMPERATURE/HUMIDITY SENSOR
	DUCT SMOKE DETECTOR

SYMBOLS LEGEND NOTES:
1. REFER TO SPECIFICATIONS AND PLAN NOTES FOR DETAILED DESCRIPTION OF ALL DEVICES SHOWN IN THIS SCHEDULE, PROVIDED BY THIS CONTRACTOR.

ISSUE TABLE		
No.	Date (mm/dd/yy)	Description

REVISIONS

No.	Date	Description
1	8/01/2023	RESPONSE TO CITY
2	9/04/2023	HEALTH COMMENTS
3	9/12/2023	RESPONSE TO CITY

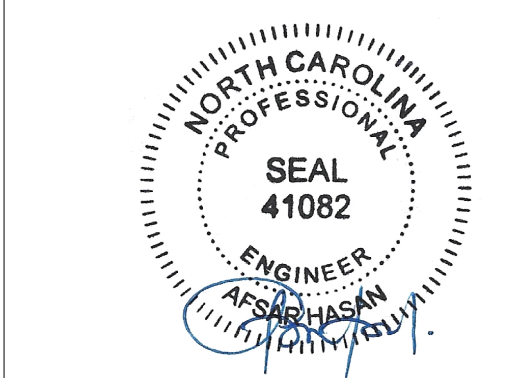
DRAWINGS REVISED AS PER DESIGN BULLETIN

No.	Date	Description



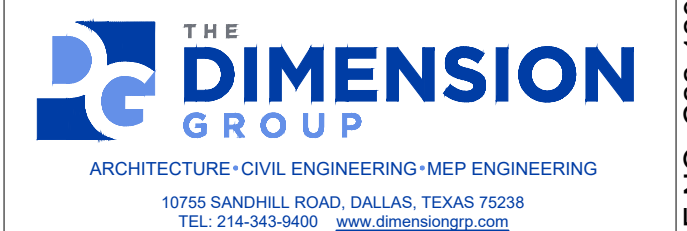
THIS DRAWING IS OWNED BY OR LICENSED FOR USE BY POPEYES LOUISIANA KITCHEN (OR ITS AFFILIATED OR RELATED COMPANIES) AND MAY NOT BE REPRODUCED, USED, DOWNLOADED, DISSEMINATED, PUBLISHED OR TRANSMITTED IN ANY FORM OR BY ANY MEANS, EXCEPT WITH THE PRIOR WRITTEN CONSENT OF POPEYES LOUISIANA KITCHEN. COPYRIGHT INFRINGEMENT IS A VIOLATION OF FEDERAL LAW SUBJECT TO CRIMINAL AND CIVIL PENALTIES.

THE CONTRACTOR IS TO VERIFY ALL DIMENSIONS AND CONDITIONS ON THE PROJECT AND TO REPORT ANY DISCREPANCIES TO THE POPEYES LOUISIANA KITCHEN REPRESENTATIVE PRIOR TO COMMENCING WORK. THESE DRAWINGS ARE NOT TO BE USED FOR CONSTRUCTION PURPOSES UNLESS INDICATED BY POPEYES LOUISIANA KITCHEN AS "ISSUED FOR CONSTRUCTION".



9.13.2023

Company Logo



Project



POPEYES

Store Type

US 2112 PROTOTYPE
2112-21

Location

1517 NC 24-87
CAMERON, NC

Drawing Title

MECHANICAL
SPECIFICATIONS

Drawn	Checked
NI	AH
Scale	Date
1/4" = 1'-0"	JUNE 2023
Project No.	Drawing No.
C22-129	MS1.1

GENERAL NOTES

- A. CONTRACTORS AND SUB-CONTRACTORS SHALL CAREFULLY REVIEW THE CONSTRUCTION DOCUMENTS. INFORMATION REGARDING THE COMPLETE WORK IS DISPERSED THROUGHOUT THE DOCUMENT SET AND CANNOT BE ACCURATELY DETERMINED WITHOUT REFERENCE TO THE COMPLETE DOCUMENT SET.
- B. COORDINATE WITH THE WORK OF OTHER SECTIONS. EQUIPMENT FURNISHED BY OTHERS, REQUIREMENTS OF THE OWNER, AND WITH THE CONSTRAINTS OF THE EXISTING CONDITIONS OF THE PROJECT SITE. PROVIDE PIPE RISES, DROPS, AND OFFSETS AS REQUIRED FOR FIELD INSTALLATION AND TRADE COORDINATION. NOTIFY ARCHITECT OF ANY DISCREPANCIES BEFORE STARTING WORK.
- C. DRAWINGS FOR PLUMBING WORK ARE DIAGRAMMATIC, SHOWING THE GENERAL LOCATION, TYPE, LAYOUT AND EQUIPMENT REQUIRED. THE DRAWINGS SHALL NOT BE SCALED FOR EXACT MEASUREMENT. REFER TO ARCHITECTURAL DRAWINGS FOR DIMENSIONS. REFER TO MANUFACTURER'S STANDARD INSTALLATION DRAWINGS FOR EQUIPMENT CONNECTIONS AND INSTALLATION REQUIREMENTS. PROVIDE PIPING, CONNECTIONS, FITTINGS, VALVES, OFFSETS AND ALL MATERIALS NECESSARY FOR A COMPLETE SYSTEM.
- D. ALL WORK SHALL COMPLY WITH STATE AND LOCAL CODE REQUIREMENTS AS APPROVED AND AMENDED BY THE GOVERNING CITY AND THE AUTHORITY HAVING JURISDICTION. PURCHASE ALL PERMITS ASSOCIATED WITH THE WORK. OBTAIN ALL INSPECTIONS REQUIRED BY CODE.
- E. PROVIDE WATER HAMMER ARRESTORS THROUGHOUT WATER SYSTEMS AS REQUIRED PER "WATER HAMMER ARRESTERS" DETAIL.
- F. PROVIDE BACKFLOW PREVENTION DEVICES IN WATER LINES FEEDING PLUMBING FIXTURES AND/OR EQUIPMENT AS SHOWN ON PLANS AND ELSEWHERE AS REQUIRED BY AUTHORITY HAVING JURISDICTION. USE DEVICES OF APPROVED MANUFACTURER AND TYPE IN ACCORDANCE WITH REQUIREMENTS OF THE AUTHORITY HAVING JURISDICTION.
- G. CONTRACTOR SHALL VERIFY WATER PRESSURE PRIOR TO CONSTRUCTION. IF PRESSURE AT BUILDING ENTRY PRIOR TO ALL LOCALLY REQUIRED DEVICES IS LESS THAN 60 PSIG STATIC, CONTACT OWNER'S REPRESENTATIVE. IF PRESSURE EXCEEDS 80 PSIG, PROVIDE PRESSURE REDUCING VALVE.
- H. SUSPEND HORIZONTAL SERVICE PIPING FROM UNDERSIDE OF ROOF OR FLOOR STRUCTURE UNLESS OTHERWISE INDICATED. INSTALL PIPING AS HIGH AS POSSIBLE. EXTEND PIPING DOWN IN WALLS, PARTITIONS AND CHASES TO SERVE FIXTURES AND EQUIPMENT.
- I. VERIFY SERVICE CONNECTION POINTS, SIZES, ELEVATIONS AND METERING LOCATIONS FOR PROJECT WITH LOCAL UTILITY COMPANIES AND/OR CIVIL ENGINEER, AS APPLICABLE.
- J. WATER ENTRY SERVICE PIPING, NEW AND/OR REVISED, CONTRACTOR SHALL ENSURE AND PROVIDE MINIMUM 10'-0" LINEAR FEET OF METAL PIPING MATERIAL BELOW GRADE IN CONTACT WITH EARTH FOR CONNECTION OF ELECTRICAL SERVICE GROUNDING.
- K. PLUMBING CONTRACTOR SHALL EXECUTE ALL WORK SO THAT IT PROCEEDS WITH A MINIMUM OF INTERFERENCE.
- L. FLOOR DRAINS SHALL HAVE 6" DEEP SEAL TRAPS.
- M. PLUMBING CONTRACTOR SHALL BE RESPONSIBLE FOR CONNECTING WATER SUPPLY TO THE COFFEE MAKERS, TEA BREWERS, AND ICE MACHINES.
- N. WRAP ALL CONDENSATE PIPE IN FREEZER WITH HEAT TRACING TAPE AND INSULATE ALL CONDENSATE DRAIN PIPING, ROUTE COOLER CONDENSATE DRAIN PIPING TO HUB DRAIN/FLOOR DRAIN AS INDICATED.
- O. POT SINKS SHALL BE ANCHORED TO WALL AND SEALED WITH SILICONE CAULKING.
- P. INSTALL GAS VALVE (FBC) IN GAS LINE TO COOKING EQUIPMENT. INTERLOCK WITH HOOD FIRE PROTECTION SYSTEM. VERIFY REQUIREMENTS WITH HOOD SUPPLIER. INSTALL UNIONS AT THE SOLENOID VALVE.
- Q. PROVIDE SHUTOFF COCKS, QUICK DISCONNECTS AND FLEXIBLE LINES AT GAS EQUIPMENT.
- R. PROVIDE VACUUM BREAKERS AT FIXTURES WITH HOSE THREAD CONNECTIONS.
- S. PROVIDE DIELECTRIC UNIONS AT ALL DISSIMILAR METAL PIPE CONNECTIONS.
- T. LAVATORY FAUCETS SHALL LIMIT HOT WATER FLOW TO 0.5 GPM AND HOT WATER TEMPERATURE TO 110° F.
- U. PROVIDE 1" SCH 40 BLACK STEEL PIPE FOR GREASE DISCHARGE. RUN LINE FLUSH ON WALL BESIDE FRYERS, VERTICALLY UP IN WALL THROUGH CEILING. SLOPE LINE @ 1" / FT TOWARDS REAR OF BUILDING. RUN LINE DOWN THROUGH CEILING ON FACE OF EXTERIOR WALL TO 75' AFF THEN THROUGH REAR WALL FOR DISCHARGE. HEAT TAPE SHALL BE INSTALLED ON ENTIRE LINE @ 5 WATTS/LINEAR FT. G.C. TO PROVIDE STAINLESS STEEL COVERS FOR LINE MOUNTED FLUSH ON WALLS (ENTIRE LENGTH - CEILING DOWN).

PLUMBING SYMBOLS LEGEND

ABBREVIATIONS:

AFF/AFG	ABOVE FINISHED FLOOR/GRADE
FFCO/FGCO/WCO/CO	FLUSH FLOOR/FLUSH GRADE/WALL/CLEANOUT
FSEC	FOOD SERVICE EQUIPMENT CONTRACTOR
TYP	TYPICAL
VTR	VENT THRU ROOF
(E)	EXISTING

LINE TYPES:

- EXISTING PLUMBING LINE - SEE DRAWING
- COLD WATER (CW)
- COLD WATER (CW) - BELOW SLAB/GRADE
- FW FILTERED WATER SUPPLY (FW)
- HOT WATER (HW) 140'
- HOT WATER RETURN (HWR)
- G NATURAL GAS LINE
- D CONDENSATE LINE (D)
- PLUMBING VENT (V)
- PLUMBING VENT (V) - BELOW SLAB/GRADE
- SANITARY WASTE (SAN) - BELOW SLAB/GRADE
- GREASE WASTE (GW) - BELOW SLAB/GRADE
- WATER HEATER VENT
- SODA CHASE
- USED COOKING OIL
- ST STORM LINE (ST)
- OST OVERFLOW STORM LINE (OST)

GENERAL REFERENCES/NOTATIONS:

01/P1	DETAIL OR SECTION	△	REVISION
⊕	CONNECT TO EXISTING	□	PLAN NOTE
⊕	HVAC EQUIPMENT	⊕	FOOD SERVICE EQUIPMENT

PIPE SYMBOLS:

- ⊕---⊕ PIPE UP/DOWN
- ⊕---⊕ BALL/PLUG VALVE
- ⊕---⊕ TEE UP/DOWN
- ⊕---⊕ BALANCING/CHECK VALVE
- ⊕---⊕ END CAP

SYMBOLS LEGEND NOTES:
REFER TO SPECIFICATIONS AND PLAN NOTES FOR DETAILED DESCRIPTION OF ALL DEVICES SHOWN IN THIS SCHEDULE, PROVIDED BY THIS CONTRACTOR.

PLUMBING FIXTURE SCHEDULE

SYMBOL	FIXTURE TYPE	MANUF.	MODEL	DESCRIPTION	ACCESSORIES/OPTIONS
WC	WATER CLOSET (ACCESSIBLE)	AMERICAN STANDARD	3043.001 "MADERA"	FLOOR MOUNT, WHITE VITREOUS CHINA, 1.1-1.6 GPF ELONGATED SIPHON JET BOWL, 1-1/2" TOP SPUD, & RIM HEIGHT 17" A.F.F. PROVIDE WITH SLOAN MANUAL DUAL FLUSH 1.6/1.1 GPF WATER CLOSET FLUSH VALVE. PROVIDE FLUSH LEVER ON ACCESSIBLE SIDE. INSTALL IN ACCORDANCE TO ADA ACCESSIBILITY REQUIREMENTS.	MAINLINE #ML1055SSCOO WHITE OPEN FRONT ELONGATED TOILET SEAT LESS COVER.
LAV	LAVATORY (ACCESSIBLE)	AMERICAN STANDARD	#0356.921.020 LUCERNE	WALL HUNG, 20"x18" WHITE VITREOUS CHINA, BACK OVERFLOW. PROVIDE WITH SLOAN EBF-850 4" CENTER SET, BATTERY POWERED SENSOR FAUCET WITH FACTORY SET 0.175 GPC 0.35 GPM AERATOR. INSTALL IN ACCORDANCE TO ADA ACCESSIBILITY REQUIREMENTS.	PROVIDE WITH QUARTER TURN BRASS ANGLE COMPRESSION STOPS WITH LOOSE KEY HANDLES, STAINLESS BRAIDED SUPPLIES, CHROME ESCUTCHEONS, CHROME GRID STRAINER DRAIN WITH TAILPIECE, & CHROME PLATED CAST BODY P-TRAP WITH CLEANOUT. INSULATE WASTE AND WATER PIPING WITH TRUEBRO "LAV-GUARD2" #101-EZ. FURNISH WITH ZURN #Z-1231-81 LAVATORY CARRIER.
FPWH	FROST PROOF WALL HYDRANT	WOODFORD	MODEL 65	ANTI-SIPHON, AUTOMATIC DRAINING, WALL HYDRANT, NON-FREEZE INTEGRAL VACUUM BREAKER, ALL BRONZE INTERIOR PARTS, KEY OPERATED, 3/4" SOLDER INLET.	MOUNT 18" ABOVE FINISHED GRADE. PROVIDE APPROPRIATE MODEL FOR WALL THICKNESS AND SITE SPECIFIC TEMPERATURE REQUIREMENTS.
ID	TRENCH DRAIN	ZURN	Z886-SOG	6-1/4"x24" HDPE TRENCH DRAIN WITH STAINLESS DECORATIVE GRATE. FIELD CUT TRENCH DRAIN AS REQUIRED. COORDINATE FINISHED WIDTH AND LOCATION WITH ARCHITECT PRIOR TO INSTALLATION.	SET TRENCH DRAIN LEVEL WITH FINISH FLOOR.
FD	FLOOR DRAIN	SIoux CHIEF / ZURN	832-350-NR #Z1415-B-3NH	FLOOR DRAIN WITH 4" ROUND NICKEL BRONZE ADJUSTABLE STRAINER & 3" BOTTOM OUTLET.	PROVIDE WITH TRAP PRIMER CONNECTION AND WITH ASSE 1072 APPROVED TRAP SEAL DEVICE. TRAP SEAL DEVICE SHALL BE TRAP PROSET TRAPGUARD OR APPROVED EQUAL. INSTALL PER MANUFACTURER'S RECOMMENDATIONS. PROVIDE RESISTANT SCREWS.
FS	FLOOR SINK	SIoux CHIEF / ZURN	#861-3PN-D / #Z1900-3NH-K-4	12" SQUARE TOP FLOOR SINK W/8" DEEP & 3" BOTTOM OUTLET	SET FLOOR SINK LEVEL WITH FINISH FLOOR.
RD	ROOF DRAIN	WATTS	RD-250	CAST IRON COMBINATION ROOF DRAIN/OVERFLOW WITH DECK FLANGE, FLASHING CLAMPS WITH INTEGRAL GRAVEL GUARD, OVERFLOW STANDPIPE, SELF LOCKING CAST IRON DOME, AND NO HUB OUTLETS. PROVIDE OUTLET SIZE AS SHOWN ON PLANS.	INSTALL PER MANUFACTURER'S INSTALLATION INSTRUCTIONS. UNDERDECK CLAMP AND SUMP RECEIVER. FIELD VERIFY ROOF INSTALLATION REQUIREMENTS AND COORDINATE INSULATION THICKNESS.
DSN	DOWNSPOUT NOZZLE	WATTS	Z199	ALL NICKEL BRONZE BODY WITH DECORATIVE FACE OF WALL FLANGE AND OUTLET NOZZLE.	COORDINATE MOUNTING LOCATION WITH ARCHITECTURAL ELEVATIONS.
TP	TRAP PRIMER	PPP	P1-500	AUTOMATIC OPERATION, 1/2" INLET AND OUTLET. SERVICE UP TO FOUR FLOOR DRAINS WITH DISTRIBUTION UNIT.	INSTALL IN ACCESSIBLE LOCATION WITH PRIMER LOCATED MINIMUM OF 6" ABOVE FLOOR LEVEL OF FLOOR DRAIN RIM. PROVIDE ACCESS PANEL AS REQUIRED.
MV	MIXING VALVE	SYMMONS	7-225-CK "MAXLINE"	1/2" INLETS AND OUTLET, THERMOSTATIC CONTROLLER WITH INTEGRAL CHECKS, ALL BRASS BODY WITH DUAL STAINLESS STEEL STRAINER, VANDAL RESISTANT TEMPERATURE ADJUSTMENT	SET TO 105°F. MOUNT IN ACCESSIBLE LOCATION.

FOODSERVICE PLUMBING SCHEDULE

ID	DESCRIPTION	REMARKS
A10.30	MULTIPLE FRYER SYSTEM, GAS	
A24.02	MULTIPLE FRYER SYSTEM, GAS	
A35.00	1 COMPARTMENT SINK	
A35.10	PRE-RINSE FAUCET ASSEMBLY	
C10.32	POPEYES DUAL SIDE SANDWICH PREP	
D29.00	PACKING TABLE, DOUBLE SIDED	
D40.00	3 COMPARTMENT SINK	
D40.01	PRE-RINSE FAUCET ASSEMBLY	
D50.00	DISHWASHER	
D70.00	HOT WATER DISPENSER	
D81.00	RETHERMALIZER	
E10.00	WALK-IN COOLER/FREEZER	
E30.84	CHICKEN CRATE	
H10.00	DUAL LINE PRODUCTION COUNTER	
K10.00	ICE MAKER, CUBE-STYLE	
K11.00	ICE MAKER, CUBE-STYLE	
K15.00	ICE BIN	
K20.00	WATER FILTER SYSTEM	
K40.00	GAS TANK	
K41.00	CO TANK	
K42.00	BAG N BOX	
K71.00	TEA BREWER	
N10.00	HAND SINK	
N20.00	MOP SINK	

THIS SCHEDULE IS A PARTIAL LISTING OF THE EQUIPMENT SUPPLIED BY THE FOOD SERVICE EQUIPMENT CONTRACTOR (FSEC). REFER TO FSEC DRAWINGS FOR A COMPLETE LISTING OF EQUIPMENT, TYPES, SIZES, AND LOCATIONS. PLUMBING CONTRACTOR (PC) TO PROVIDE NECESSARY ITEMS TO INSTALL FSEC EQUIPMENT (INCLUDING VALVES, UNIONS, FITTINGS, ETC.) TO MAKE COMPLETE SYSTEM. THIS LISTING DOES NOT SUPERSEDE THE FSEC DRAWINGS.

BACKFLOW PREVENTER SCHEDULE

LOCATION	TAG	MODEL	ASSE
MAIN WATER SUPPLY	RPZ	WATTS 009QTS	1013
CARBONATOR	DCV-1	WATTS SD-3	1022
SODA DISPENSERS	DCV-2	WATTS SD-2	1032
OTHER EQUIPMENT	DCV-3	WATTS SERIES 7	1024

NOTE: VERIFY BACKFLOW VALVE REQUIREMENTS AND APPROVAL FOR ALL EQUIPMENT WITH AUTHORITIES HAVING JURISDICTION PRIOR TO INSTALLATION.

TANK ELECTRIC WATER HEATER SCHEDULE

SYMBOL	MANUFACTURER	MODEL	KW (BTU)	V/PH	GPH @ 70°F RISE	SET POINT (°F)	NOTES (#)
WH-1	RHEEM	ES120-24-G	15 (51,183)	208/3	89	120	(1), (2), (3)

NOTES:

- WATER HEATER TANK SHALL HAVE A WORKING PRESSURE OF 150PSI, PER MANUFACTURER'S REQUIREMENTS.
- FURNISH WITH EXPANSION TANK AS SPECIFIED ON PLANS.
- PROVIDE WITH 1-1/2" COLD WATER AND HOT WATER LINES

EXPANSION TANK SCHEDULE

SYMBOL	MANUFACTURER	MODEL	TOTAL VOLUME (GALLONS)	ACCEPTANCE VOLUME (GALLONS)	CONNECTION LOCATION	CONNECTION SIZE	MOUNTING	NOTES (#)
EI	AMTROL	ST-5	2	.45	TOP	3/4"	NEAR WH-1	(1), (2)

NOTES:

- EXPANSION TANK: STEEL SHELL, HEAVY DUTY BUTYL NSF/ANSI 61, FACTORY PRECHARGED TO 40 PSIG, MAX OPERATING TEMPERATURE 100°, MAX OPERATING PRESSURE 150 PSI, 1 YEAR MANUFACTURER'S WARRANTY. INSTALL PER MANUFACTURER'S INSTRUCTIONS.
- FIELD CHARGE EXPANSION TANK TO SYSTEM PRESSURE BEFORE CONNECTION TO DOMESTIC WATER SYSTEM. FIELD VERIFY PRESSURE REQUIREMENTS.

PUMP SCHEDULE

SYMBOL	MANUFACTURER	MODEL	GPM	HEAD (FT)	VOLTAGE	PHASE	WATTS	AMPS	NOTES (#)
RCP	GRUNDFOS	ALPHA2	5	12	115	1	5 - 65	0.65	(1)

NOTES:

- RECIRCULATING PUMP: BRONZE BODY RECIRCULATING PUMP WITH "AUTOADAPT" VARIABLE SPEED MOTOR. INSTALL NEAR WATER HEATER PER MANUFACTURER'S INSTRUCTIONS. PROVIDE WITH ALPHA 3-PRONG PLUG AND COORDINATE CONNECTION WITH ELECTRICAL CONTRACTOR. PROVIDE WITH HONEYWELL L6006C SURFACE MOUNT AQUASTAT SET TO 5°F BELOW WATER HEATER OPERATING TEMPERATURE.

HEAT TRACING

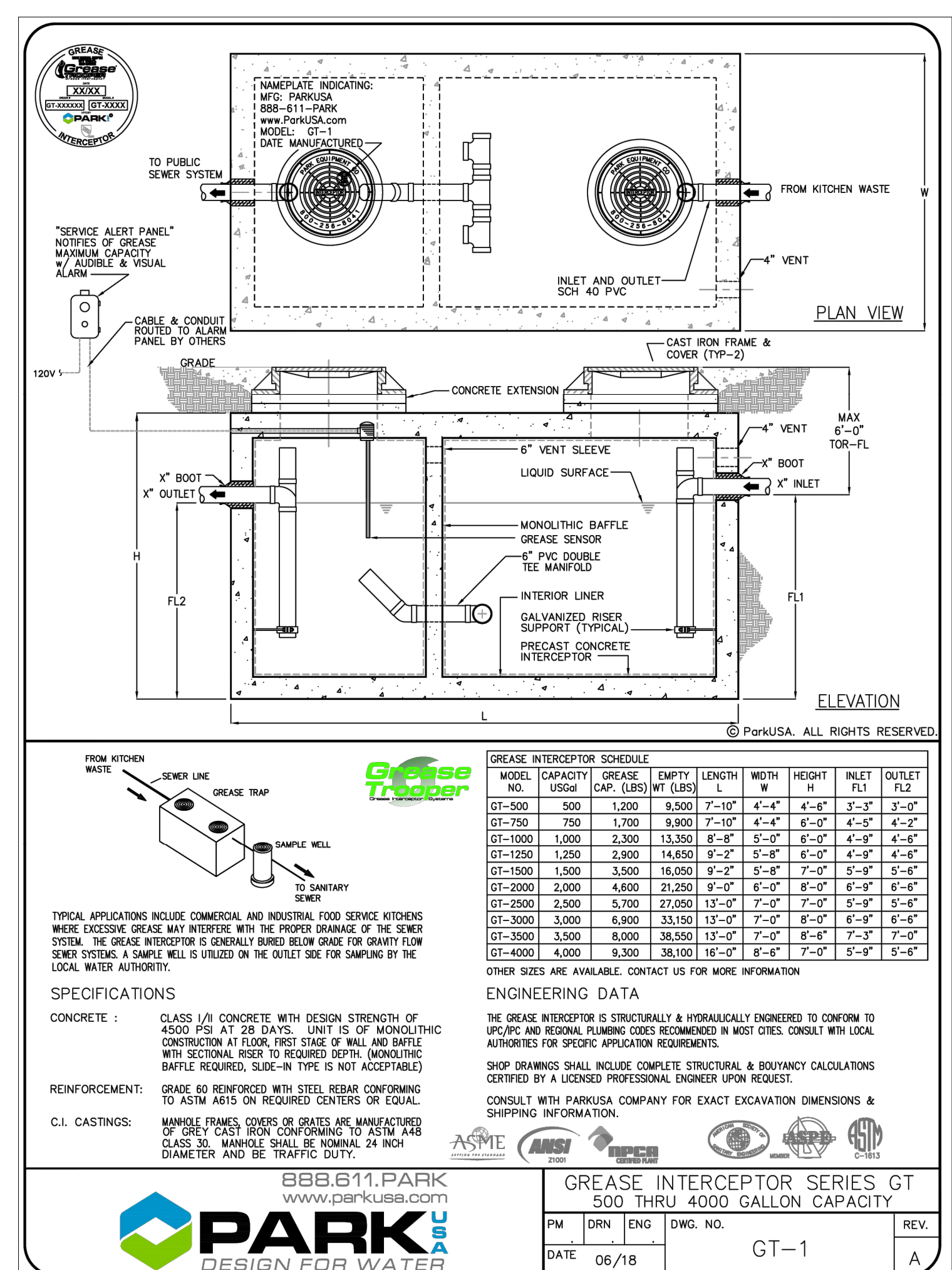
SYMBOL	MANUFACTURER	MODEL	TEMP	LENGTH (MAX)	VOLTAGE	PHASE	WATTS/FOOT	AMP (MAX)	NOTES (#)
HC	RAYCHEM	8XL2-CR/CT	105°F	350	208	1	8	15	(1), (2)

NOTES:

- SELF-REGULATING HEATING CABLE TO MAINTAIN TEMPERATURE OF USED COOKING OIL LINE. REFER TO PLANS FOR ROUTING. MAXIMUM CIRCUIT LENGTH IS 350'-0" OF CABLE. 280W-1V AT 8W/FT (2800 WATT / 15 AMP MAX).
- PROVIDE WITH EC-W-GF CONTROLLER WITH GROUND FAULT PROTECTION, AND NECESSARY COMPONENTS TO PUT IN WORKING ORDER. INSTALL CABLE PER MANUFACTURER'S RECOMMENDATIONS.

HOT WATER DEMAND CALCULATIONS

FIXTURE	QTY	LENGTH (IN)	WIDTH (IN)	DEPTH (IN)	VOLUME (IN ³)	GPH (@37.5%)
3-COMPARTMENT SINK	1	20	15	14	12600	20.45
PRE-RINSE SPRAYER	2	1.15	32	2.5	14.72	29.44
LAVATORY	1	0.5	5	2.2	1.14	1.14
HAND SINK	3	2.2	5	2.2	5.0	15.0
PREP SINK	1	2.2	5	2.2	5.0	5.0
MOP SINK	1	---	---	---	15.0	15.0
DISHWASHER	0	---	---	---	29.6	0.0
TOTAL GPH						86.03
*HOT WATER USE REDUCTION CALCULATIONS: GPH = (MNF. RATE x WATER USAGE VALUE) / STD. RATE						
TOTAL GPH	TEMP RISE (°F)	BTU(LB * °F)	LB/GAL	ELEC EFFICIENCY	BTU/KW-H	MINIMUM KW
86.03	70	1.002	8.33	98%	3412	15.0



ISSUE TABLE

No.	Date (mm/dd/yyyy)	Description
1	8/01/2023	RESPONSE TO CITY
2	9/04/2023	HEALTH COMMENTS
3	9/12/2023	RESPONSE TO CITY

REVISIONS

No.	Date	Description
1	8/01/2023	RESPONSE TO CITY
2	9/04/2023	HEALTH COMMENTS
3	9/12/2023	RESPONSE TO CITY

DRAWINGS REVISED AS PER DESIGN BULLETIN

No.	Date	Description

PROJECT NORTH

THIS DRAWING IS OWNED BY OR LICENSED FOR USE BY POPEYES LOUISIANA KITCHEN (OR ITS AFFILIATED OR RELATED COMPANIES) AND MAY NOT BE REPRODUCED, USED, DOWNLOADED, DISSEMINATED, PUBLISHED OR TRANSMITTED IN ANY FORM OR BY ANY MEANS, EXCEPT WITH THE PRIOR WRITTEN CONSENT OF POPEYES LOUISIANA KITCHEN. COPYRIGHT INFRINGEMENT IS A VIOLATION OF FEDERAL LAW SUBJECT TO CRIMINAL AND CIVIL PENALTIES.

THE CONTRACTOR IS TO VERIFY ALL DIMENSIONS AND CONDITIONS ON THE PROJECT AND TO REPORT ANY DISCREPANCIES TO THE POPEYES LOUISIANA KITCHEN REPRESENTATIVE PRIOR TO COMMENCING WORK. THESE DRAWINGS ARE NOT TO BE USED FOR CONSTRUCTION PURPOSES UNLESS INDICATED BY POPEYES LOUISIANA KITCHEN AS "ISSUED FOR CONSTRUCTION".

9.13.2023

Company Logo

THE DIMENSION GROUP
ARCHITECTURE-CIVIL ENGINEERING-MEP ENGINEERING
10755 SANDHILL ROAD, DALLAS, TEXAS 75238
TEL: 214-343-9400 www.dimensionsgpc.com

Project

LOUISIANA KITCHEN

POPEYES

Store Type

US 2112 PROTOTYPE
2112-21

Location

1517 NC 24-87
CAMERON, NC

Drawing Title

PLUMBING SCHEDULES & NOTES

Drawn

Checked

Scale

1/4" = 1'-0"

Date

JUNE 2023

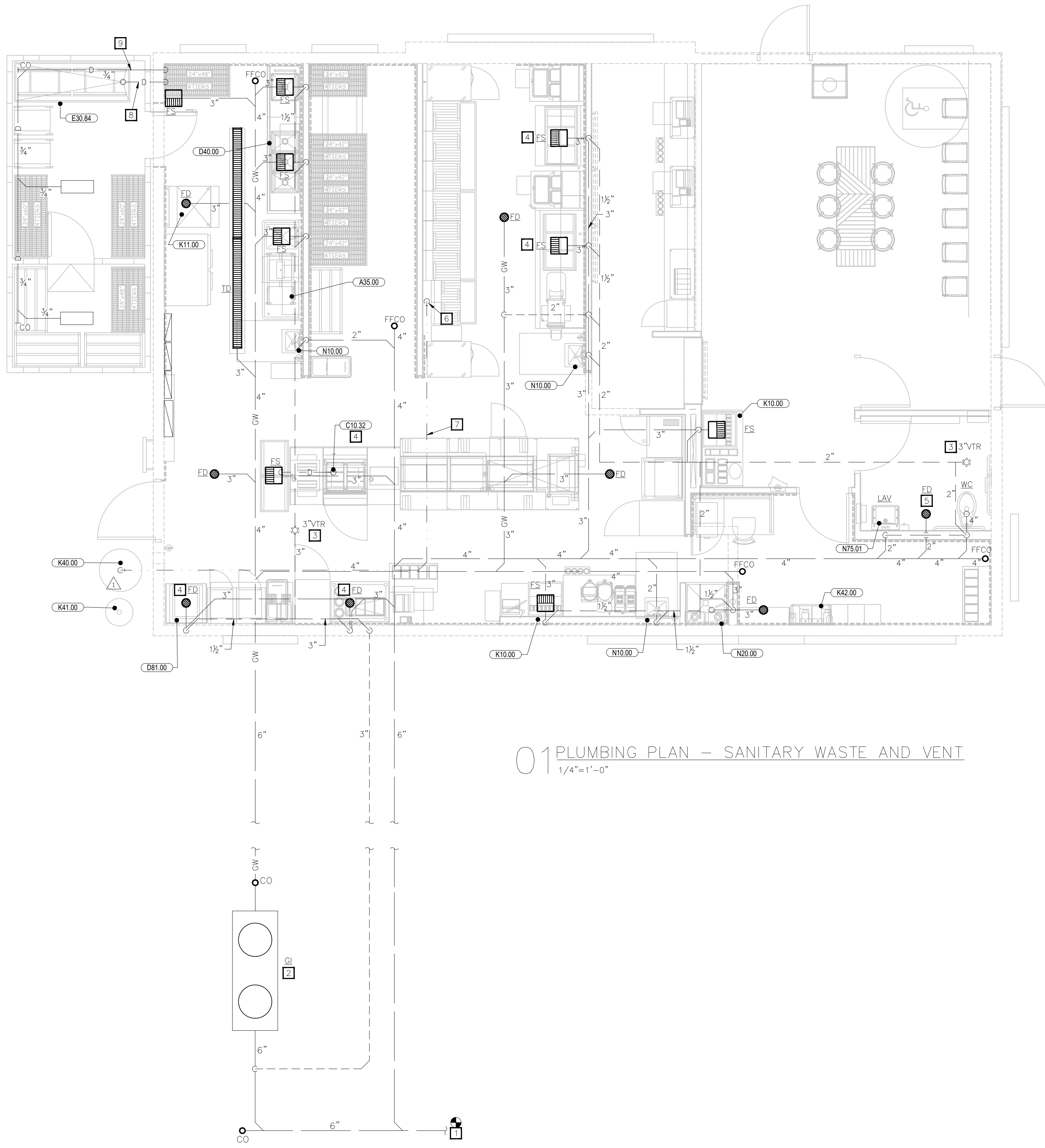
Project No.

C22-129

Drawing No.

P.1.1

POPEYES LOUISIANA KITCHEN MODEL 2112, 1517 NC 24-87, CAMERON, NC (JUNE 01, 2023) STORE NO. C22-129



01 PLUMBING PLAN - SANITARY WASTE AND VENT
1/4" = 1'-0"

PLUMBING KEY NOTES

- 1 CONNECT TO SANITARY WASTE LINE ON EXTERIOR OF BUILDING PROVIDED BY OTHERS. REFER TO CIVIL DRAWINGS FOR CONTINUATION.
- 2 PROVIDE 1500 GALLON GREASE INTERCEPTOR AS SHOWN PER PLANS. REFER TO "GREASE INTERCEPTOR" DETAIL. LOCATE INTERCEPTOR OUTSIDE OF DRIVE LANES. COORDINATE WITH CIVIL DRAWINGS FOR FINAL LOCATION.
- 3 PROVIDE SANITARY VENT THROUGH ROOF AS SHOWN PER PLAN PER "VENT THRU ROOF (VTR)" DETAIL. LOCATE VENT MINIMUM OF 10'-0" AWAY FROM AIR INTAKES ON ROOF, UNLESS APPROVED BY ENGINEER PRIOR TO INSTALLATION.
- 4 PROVIDE DRAIN LINE FROM KITCHEN EQUIPMENT TO FLOOR SINK. REFER TO KITCHEN EQUIPMENT PLANS.
- 5 EMERGENCY DRAIN IN RESTROOM SHALL BE INSTALLED FLUSH TO GRADE WITH NO SLOPE. COORDINATE INSTALLATION HEIGHT WITH GENERAL CONTRACTOR TO ENSURE PROPER INSTALLATION.
- 6 USED COOKING OIL LINE MOUNTED FLUSH AGAINST WALL @ 3'-0" AFF. REFER TO "USED COOKING OIL RECOVERY" DETAIL. G.C. SHALL PROVIDE STAINLESS STEEL COVER TO CEILING.
- 7 PROVIDE HC HEAT TRACE TAPE ON USED COOKING OIL LINE FROM BUILDING TO TANK. INSTALL HEAT TRACE PER MANUFACTURER'S RECOMMENDATIONS. REFER TO PLUMBING FIXTURE SCHEDULE FOR MORE INFORMATION.
- 8 EXTEND CHICKEN VAT'S 2" COPPER INDIRECT WASTE LINE THROUGH COOLER WALL TO DISCHARGE INTO FLOOR SINK.
- 9 ROUTE FREEZER/COOLER CONDENSATE DRAIN TO FLOOR SINK PER "WALK-IN COOLER/FREEZER DRAIN" DETAIL.

DFU CALCULATIONS

FIXTURE	QTY.	DFU	TOTAL
WATER CLOSET	1	4	4
LAVATORY	1	1	1
MOP BASIN	1	3	3
HAND SINK	3	1	3
3" FLOOR SINK	9	5	45
3" TRENCH DRAIN (EMERGENCY)	1	-	-
2"/3" FLOOR DRAIN (EMERGENCY)	7	-	-
DFU VALUES PER IPC		DFU TOTAL	56.0

ISSUE TABLE

No.	Date (mm/dd/yyyy)	Description

REVISIONS

No.	Date	Description
1	8/01/2023	RESPONSE TO CITY
2	9/04/2023	HEALTH COMMENTS
3	9/12/2023	RESPONSE TO CITY

DRAWINGS REVISED AS PER DESIGN BULLETIN

No.	Date	Description



PROJECT NORTH

THIS DRAWING IS OWNED BY OR LICENSED FOR USE BY POPEYES LOUISIANA KITCHEN (OR ITS AFFILIATED OR RELATED COMPANIES) AND MAY NOT BE REPRODUCED, USED, DOWNLOADED, DISSEMINATED, PUBLISHED OR TRANSFERRED IN ANY FORM OR BY ANY MEANS, EXCEPT WITH THE PRIOR WRITTEN CONSENT OF POPEYES LOUISIANA KITCHEN. COPYRIGHT INFRINGEMENT IS A VIOLATION OF FEDERAL LAW SUBJECT TO CRIMINAL AND CIVIL PENALTIES.

THE CONTRACTOR IS TO VERIFY ALL DIMENSIONS AND CONDITIONS ON THE PROJECT AND TO REPORT ANY DISCREPANCIES TO THE POPEYES LOUISIANA KITCHEN REPRESENTATIVE PRIOR TO COMMENCING WORK. THESE DRAWINGS ARE NOT TO BE USED FOR CONSTRUCTION PURPOSES UNLESS INDICATED BY POPEYES LOUISIANA KITCHEN AS "ISSUED FOR CONSTRUCTION".



9.13.2023

Company Logo

THE DIMENSION GROUP
ARCHITECTURE • CIVIL ENGINEERING • MEP ENGINEERING
10755 SANDHILL ROAD, DALLAS, TEXAS 75238
TEL: 214-343-9400 www.dimensiongrp.com

Project

POPEYES

Store Type
US 2112 PROTOTYPE
2112-21

Location
**1517 NC 24-87
CAMERON, NC**

Drawing Title
**PLUMBING PLAN -
SANITARY WASTE AND
VENT**

Drawn NI	Checked AH
Scale 1/4" = 1'-0"	Date JUNE 2023
Project No. C22-129	Drawing No. P2.1

POPEYES LOUISIANA KITCHEN MODEL 2112, 1517 NC 24-87, CAMERON, NC (JUNE 01, 2023) STORE NO. C22-129

PLUMBING KEY NOTES

- 1 PROVIDE ROOF DRAIN AS SHOWN PER PLANS PER "ROOF DRAIN" DETAIL. REFER TO ARCHITECTURAL PLANS FOR EXACT LOCATION.
- 2 EXTEND STORM LINE OUT 5' 0" FOR CONNECTION BY OTHERS. REFER TO CIVIL DRAWINGS FOR CONNECTION LOCATION.

ISSUE TABLE

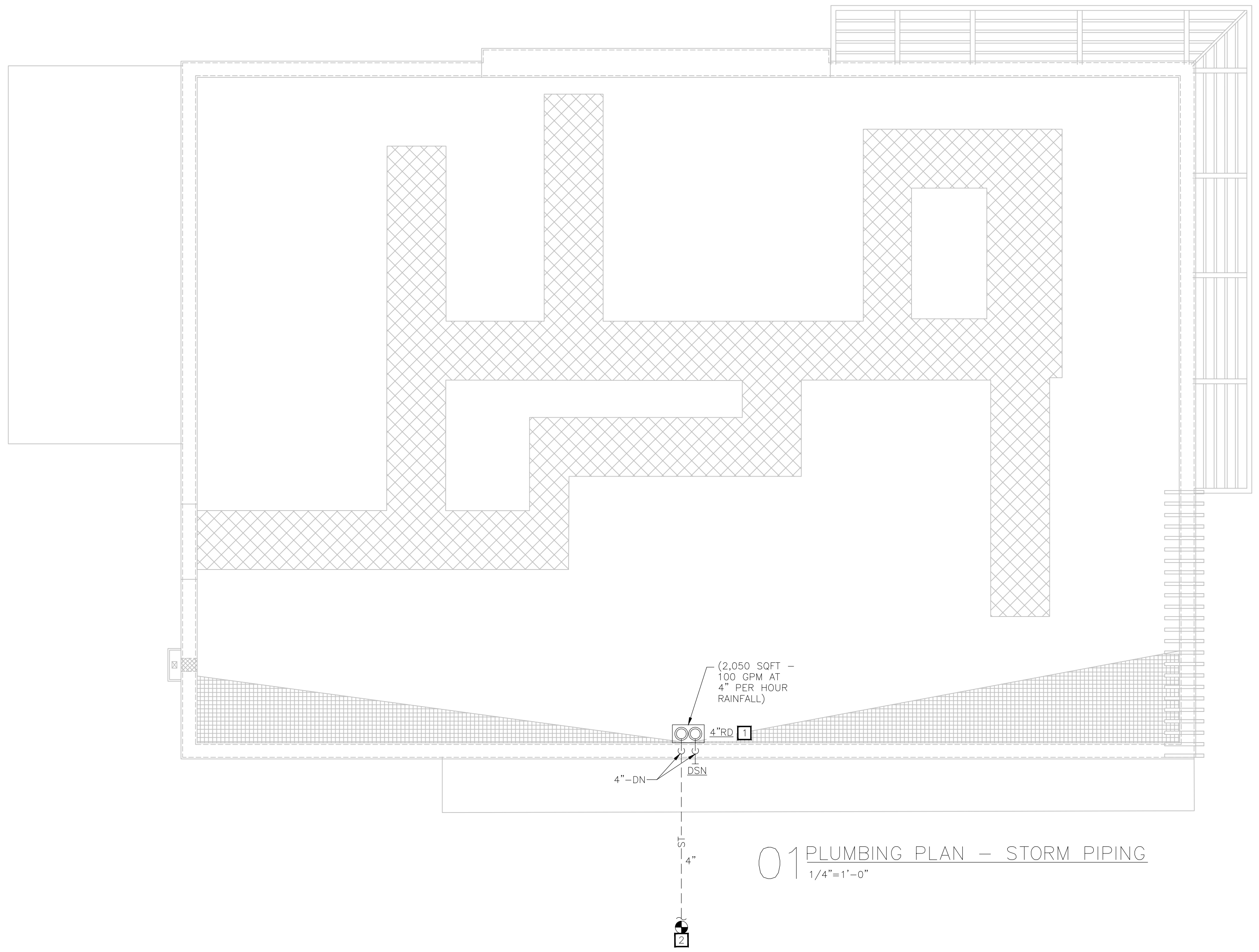
No.	Date (mm/dd/yyyy)	Description

REVISIONS

No.	Date	Description
1	8/01/2023	RESPONSE TO CITY
2	9/04/2023	HEALTH COMMENTS
3	9/12/2023	RESPONSE TO CITY

DRAWINGS REVISED AS PER DESIGN BULLETIN

No.	Date	Description



01 PLUMBING PLAN - STORM PIPING
1/4"=1'-0"



PROJECT NORTH

THIS DRAWING IS OWNED BY OR LICENSED FOR USE BY POPEYES LOUISIANA KITCHEN (OR ITS AFFILIATED OR RELATED COMPANIES) AND MAY NOT BE REPRODUCED, USED, DOWNLOADED, DISSEMINATED, PUBLISHED OR TRANSFERRED IN ANY FORM OR BY ANY MEANS, EXCEPT WITH THE PRIOR WRITTEN CONSENT OF POPEYES LOUISIANA KITCHEN. COPYRIGHT INFRINGEMENT IS A VIOLATION OF FEDERAL LAW SUBJECT TO CRIMINAL AND CIVIL PENALTIES.

THE CONTRACTOR IS TO VERIFY ALL DIMENSIONS AND CONDITIONS ON THE PROJECT AND TO REPORT ANY DISCREPANCIES TO THE POPEYES LOUISIANA KITCHEN REPRESENTATIVE PRIOR TO COMMENCING WORK. THESE DRAWINGS ARE NOT TO BE USED FOR CONSTRUCTION PURPOSES UNLESS INDICATED BY POPEYES LOUISIANA KITCHEN AS "ISSUED FOR CONSTRUCTION".



9.13.2023

Company Logo

Project

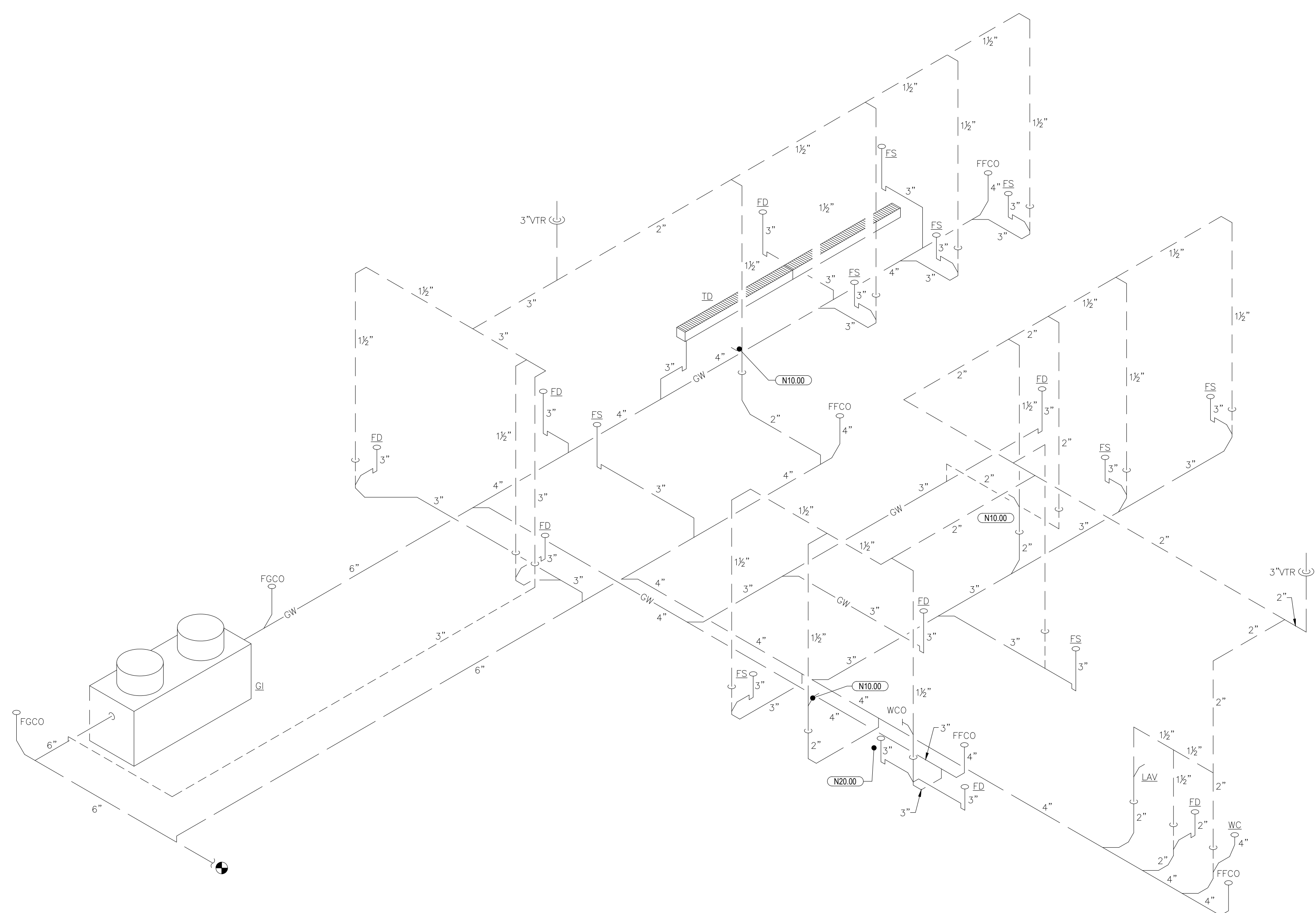
Store Type
US 2112 PROTOTYPE
2112-21

Location
**1517 NC 24-87
CAMERON, NC**

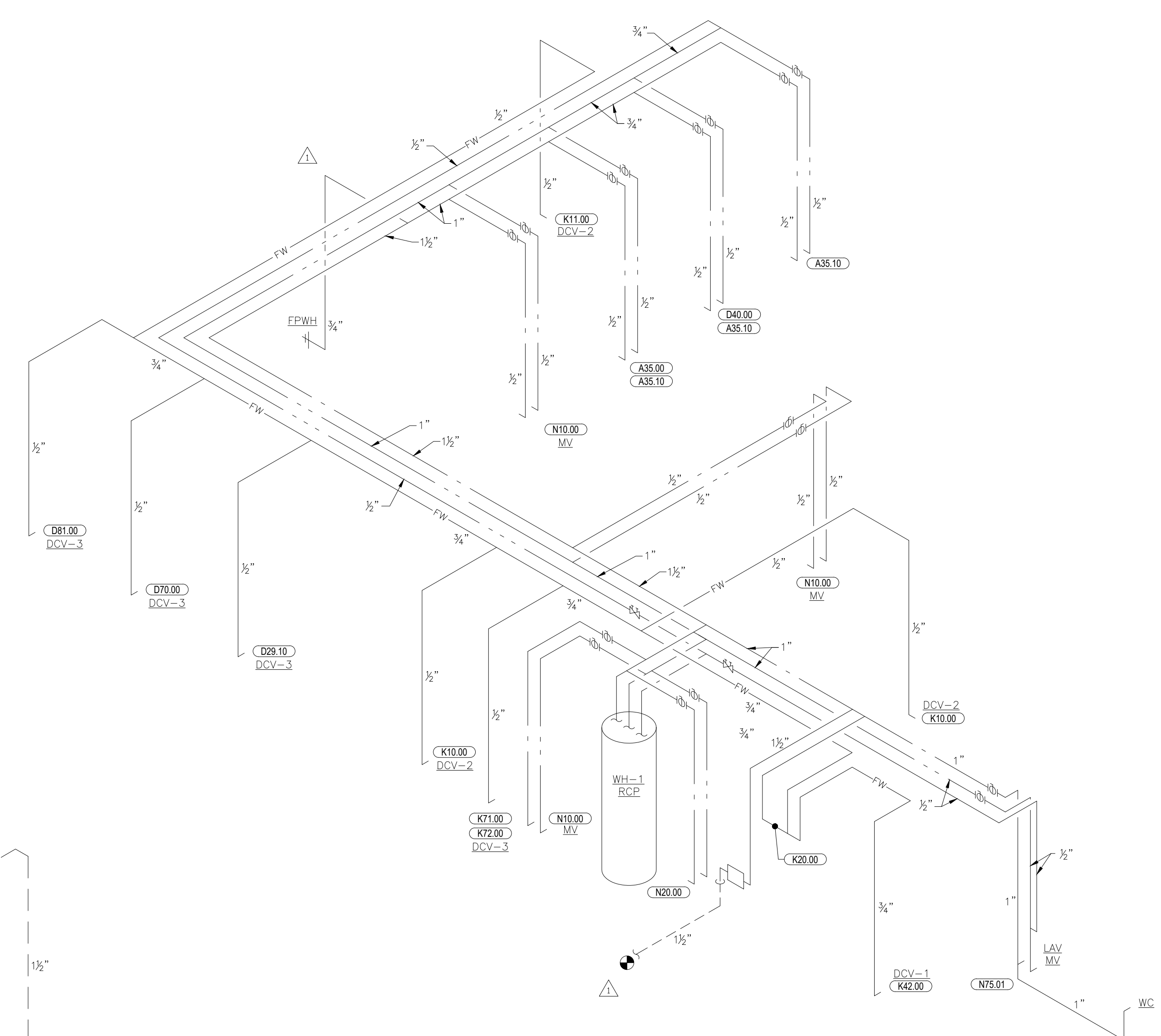
Drawing Title
**PLUMBING PLAN - STORM
PIPING**

Drawn NI	Checked AH
Scale 1/4" = 1'-0"	Date JUNE 2023
Project No. C22-129	Drawing No. P2.3

POPEYES LOUISIANA KITCHEN MODEL 2112, 1517 NC 24-87, CAMERON, NC (JUNE 01, 2023) STORE NO. C22-129



01 SANITARY WASTE AND VENT RISER
1/4"=1'-0"



02 DOMESTIC WATER RISER
1/4"=1'-0"

ISSUE TABLE		
No.	Date (mm/dd/yy)	Description

REVISIONS		
No.	Date	Description
1	8/01/2023	RESPONSE TO CITY
2	9/04/2023	HEALTH COMMENTS
3	9/12/2023	RESPONSE TO CITY

DRAWINGS REVISED AS PER DESIGN BULLETIN		
No.	Date	Description



PROJECT NORTH

THIS DRAWING IS OWNED BY OR LICENSED FOR USE BY POPEYES LOUISIANA KITCHEN (OR ITS AFFILIATED OR RELATED COMPANIES) AND MAY NOT BE REPRODUCED, USED, DOWNLOADED, DISSEMINATED, PUBLISHED OR TRANSFERRED IN ANY FORM OR BY ANY MEANS, EXCEPT WITH THE PRIOR WRITTEN CONSENT OF POPEYES LOUISIANA KITCHEN. COPYRIGHT INFRINGEMENT IS A VIOLATION OF FEDERAL LAW SUBJECT TO CRIMINAL AND CIVIL PENALTIES.

THE CONTRACTOR IS TO VERIFY ALL DIMENSIONS AND CONDITIONS ON THE PROJECT AND TO REPORT ANY DISCREPANCIES TO THE POPEYES LOUISIANA KITCHEN REPRESENTATIVE PRIOR TO COMMENCING WORK. THESE DRAWINGS ARE NOT TO BE USED FOR CONSTRUCTION PURPOSES UNLESS INDICATED BY POPEYES LOUISIANA KITCHEN AS "ISSUED FOR CONSTRUCTION".



9.13.2023

Company Logo

ARCHITECTURE-CIVIL ENGINEERING-MEP ENGINEERING
10755 SANDHILL ROAD, DALLAS, TEXAS 75238
TEL: 214-343-9400 www.dimensiongpg.com

Project

POPEYES

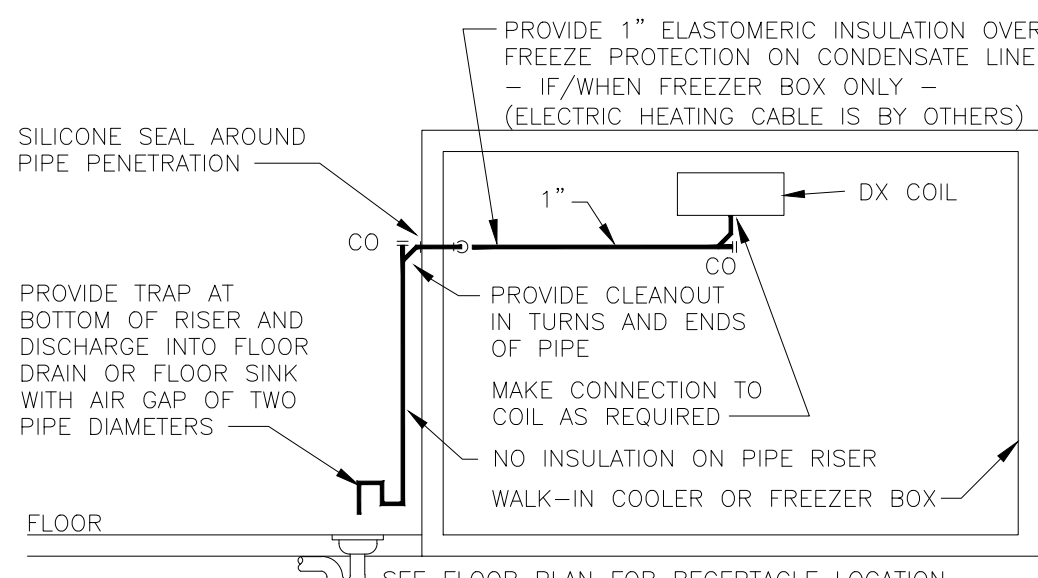
Store Type
US 2112 PROTOTYPE
2112-21

Location
1517 NC 24-87
CAMERON, NC

Drawing Title
PLUMBING RISERS

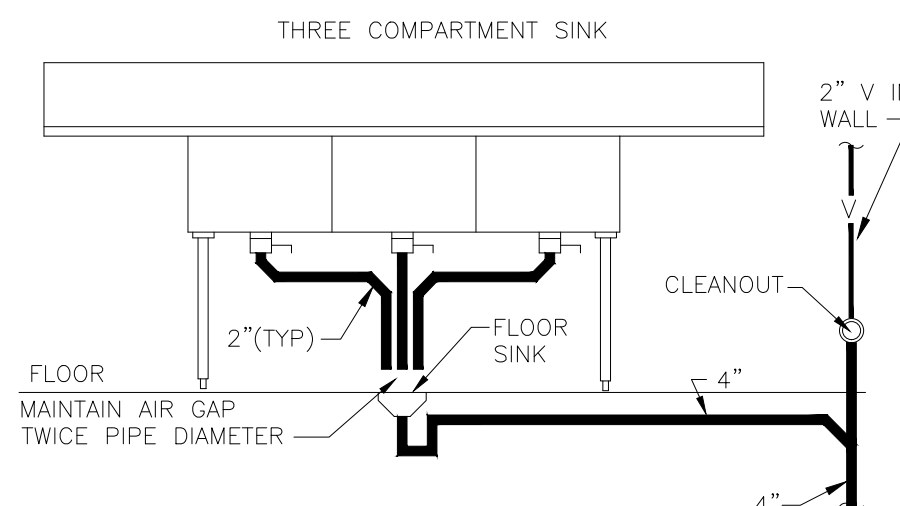
Drawn NI	Checked AH
Scale	Date JUNE 2023
Project No. C22-129	Drawing No. P3.1

POPEYES LOUISIANA KITCHEN MODEL 2112, 1517 NC 24-87, CAMERON, NC (JUNE 01, 2023) STORE NO. C22-129



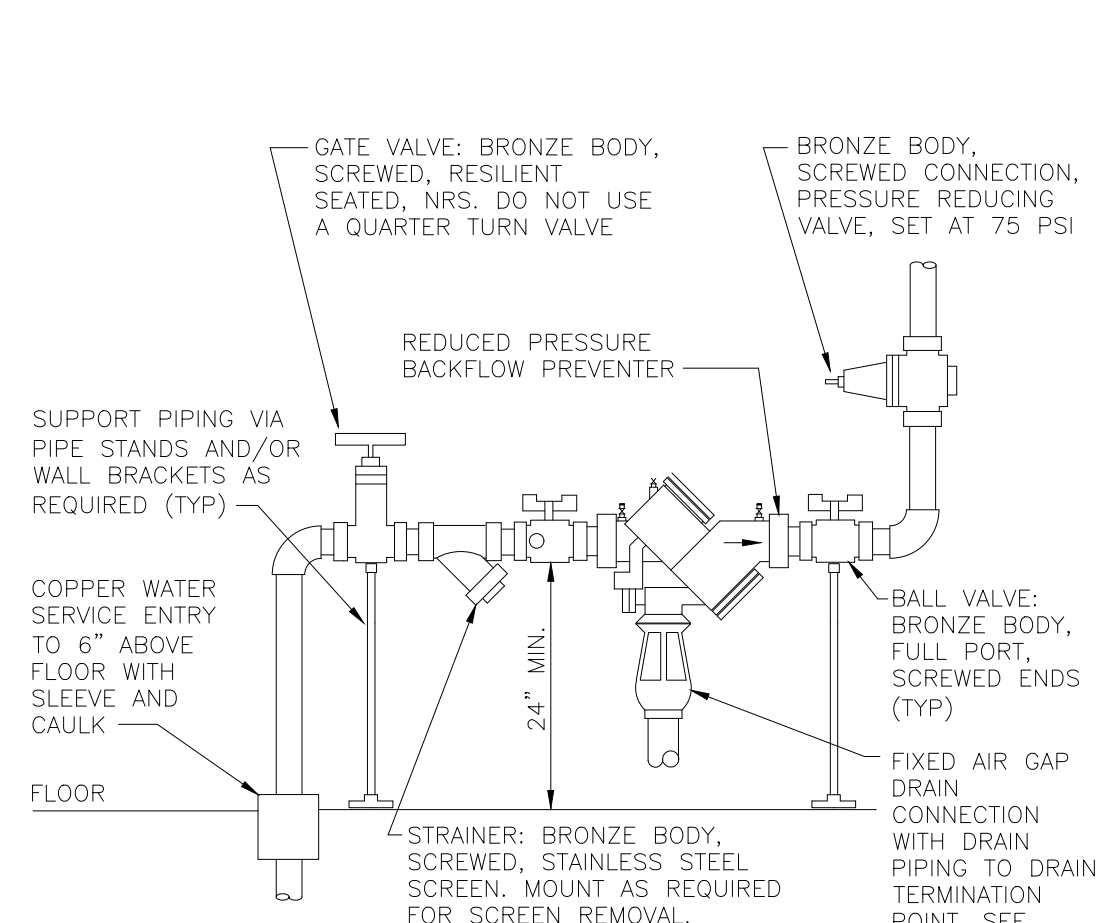
INSTALL PIPE HIGH AS POSSIBLE, ANCHORED TO WALL OF BOX WITH SUPPORTS AT MAXIMUM SIX FOOT CENTERS. USE TYPE "M" HARD COPPER TUBE AND FITTINGS WITH LEAD-FREE SOLDER JOINTS. SLOPE HORIZONTAL PIPE AT MINIMUM TWO PERCENT. REFER TO LOCAL CODE FOR INDIRECT DRAIN REQUIREMENTS.

11 WALK-IN COOLER/FREEZER DRAIN
NOT TO SCALE



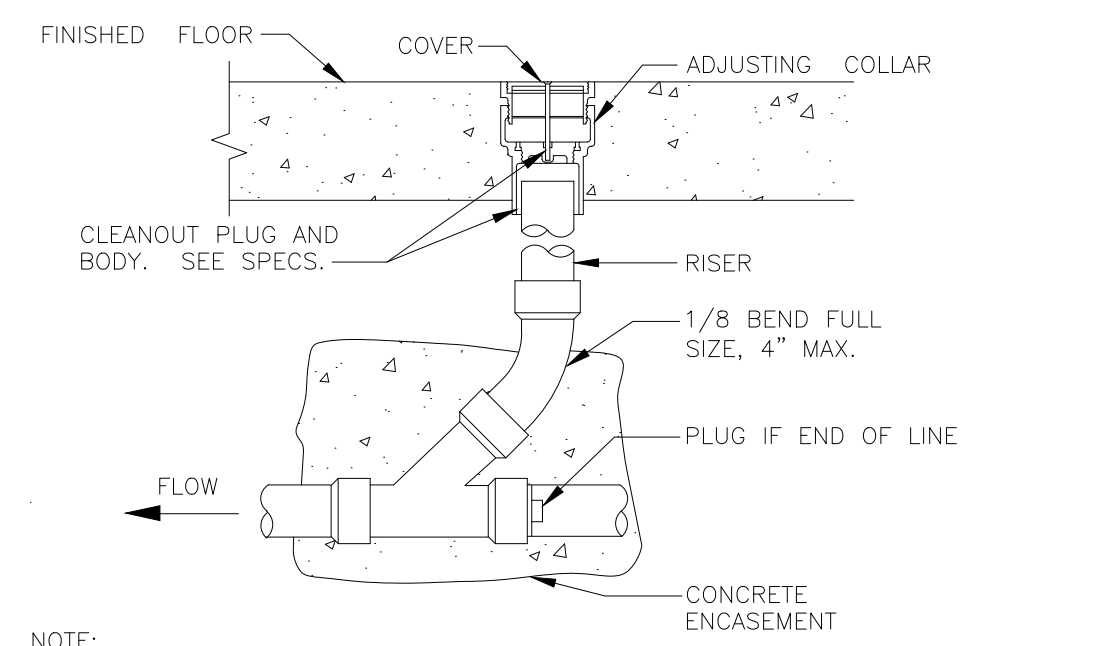
ARRANGEMENT SHOWN IS SCHEMATIC. ADJUST TO SUIT FIELD CONDITIONS OR MEET LOCAL CODE REQUIREMENTS. UTILIZE HUBLESS CAST IRON PIPE, FITTINGS AND CONNECTORS FOR SINK CONNECTIONS.

15 3-COMP SINK
NOT TO SCALE



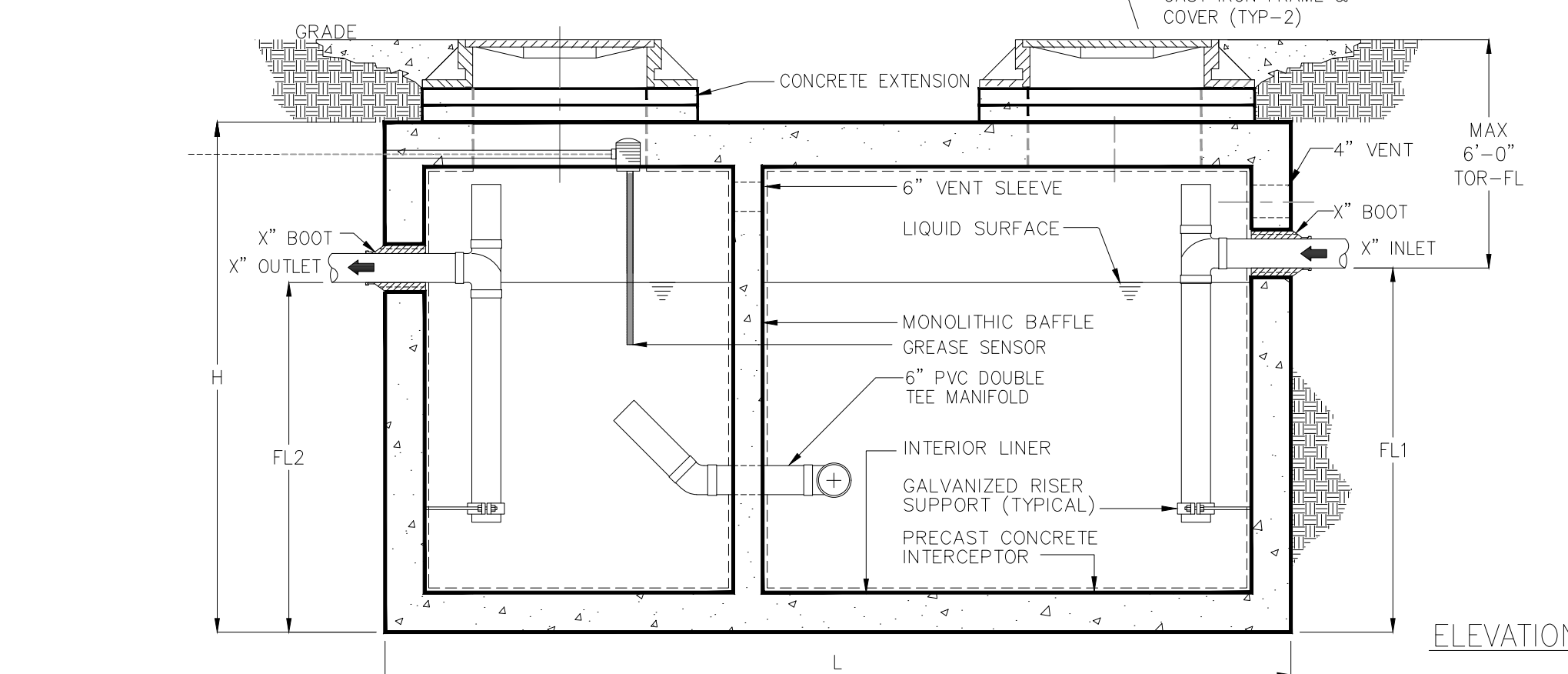
DETAIL SHOWS GENERAL SCHEMATIC REQUIREMENTS. PROVIDE BACKFLOW PREVENTER OF TYPE AND MANUFACTURER APPROVED BY LOCAL AUTHORITIES. PROVIDE PRESSURE REDUCING VALVE ONLY IF PRESSURE EXCEEDS 80 PSI - VERIFY. STRAINER AND REDUCING VALVE MAY BE INSTALLED IN VERTICAL PIPE IF SPACE LIMITATIONS REQUIRE IT. CLEAN STRAINER BEFORE TURNING BUILDING OVER TO OWNER. PROVIDE ANY REQUIRED CERTIFICATION OF TEST OF BACKFLOW PREVENTER TO LOCAL AUTHORITIES.

13 DOMESTIC WATER SERVICE ENTRY
NOT TO SCALE

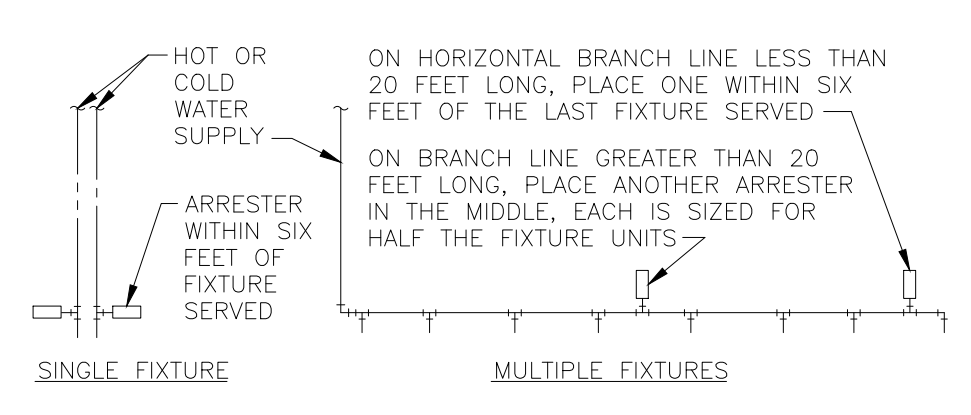


NOTE: CLEANOUT COVER FLUSH WITH TILE OR FLUSH WITH CONCRETE FLOOR IN AREA WITH NO TILE.

14 FLOOR CLEAN-OUT
NOT TO SCALE



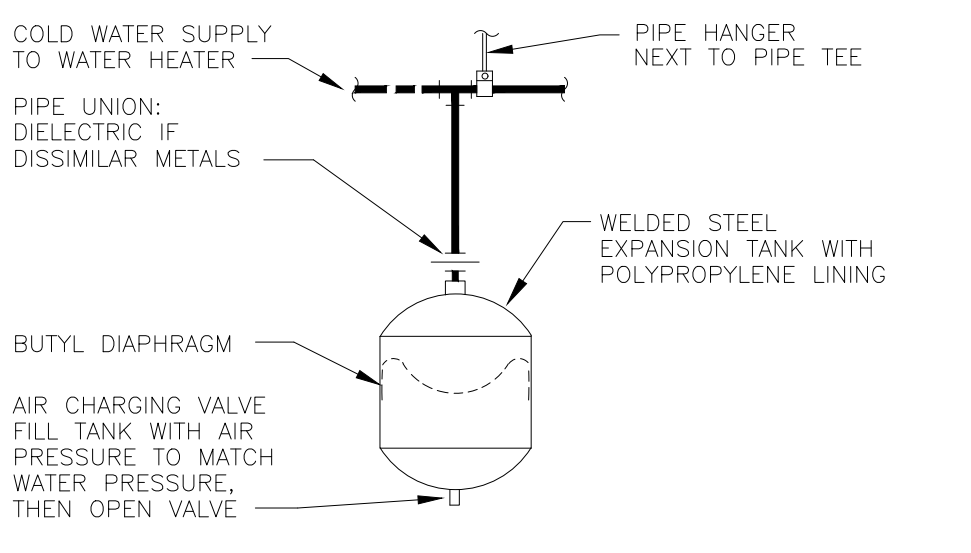
12 GREASE INTERCEPTOR
NOT TO SCALE



PDI SIZE	FIXTURE UNIT LOAD	FIXTURE UNIT TABULATION	COLD	HOT
AA	1-3	VALVE WATER CLOSET	10	-
A	4-11	TANK WATER CLOSET	5	-
B	12-32	URINAL	5	-
C	33-60	LAVATORY	1.5	1.5
D	61-113	SINK	2	2
E	114-154	MOP BASIN	3	3
F	155-330	SHOWER/BATHTUB	2	3
		DRINKING FOUNTAIN	0.5	-

PC TO PROVIDE WATER HAMMER ARRESTERS BY SIOUX CHIEF, PRECISION PLUMBING PRODUCTS, WATTS OR APPROVED EQUIVALENT WITH PISTON AND O-RING CONSTRUCTION, HAVING PDI #WH-201, ASSE #1010 OR ANSI #A112.26.1M CERTIFICATION. SIZE AND INSTALL PER PDI #WH-201 STANDARD OR MANUFACTURER'S INSTRUCTION. THE TABLES ABOVE ARE BASED ON THE SIOUX CHIEF PRODUCT LINE. IF PRESSURE IS IN EXCESS OF 65 PSIG THEN UPSIZE THE ARRESTER BY ONE (EXAMPLE: AN "A" ARRESTER WOULD BECOME A "B" ARRESTER.)

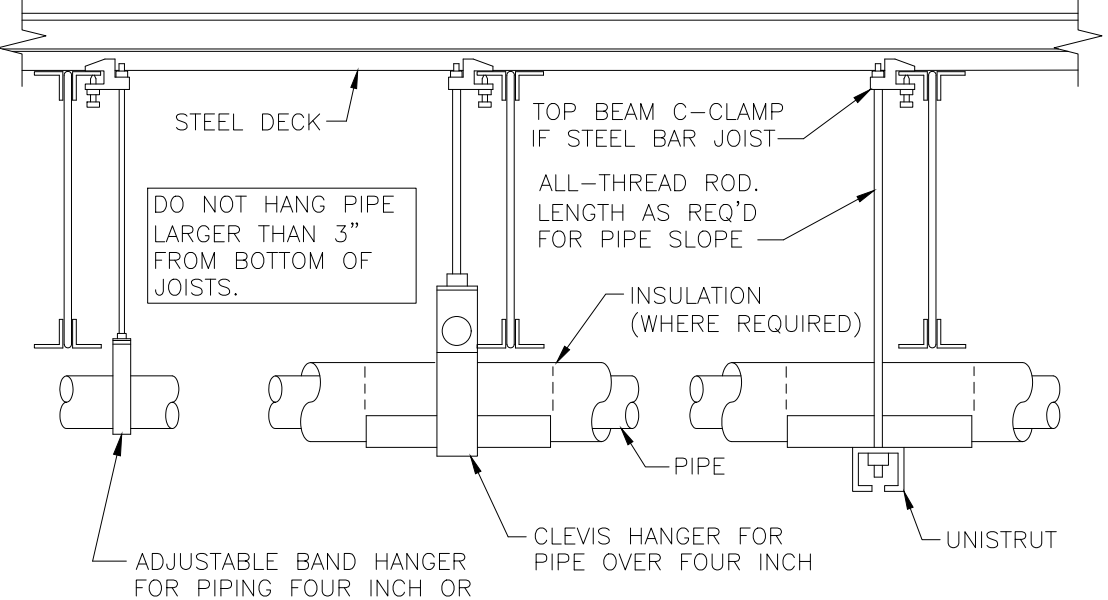
09 WATER HAMMER ARRESTERS
NOT TO SCALE



PIPING ARRANGEMENT SHOWN IS SCHEMATIC. ADJUST TO SUIT FIELD CONDITIONS. MAKE PIPE SAME SIZE AS TANK FITTING. FOLLOW MANUFACTURER'S INSTRUCTIONS FOR INSTALLATION PROCEDURE. VERIFY PROPER OPERATION WHEN INSTALLED.

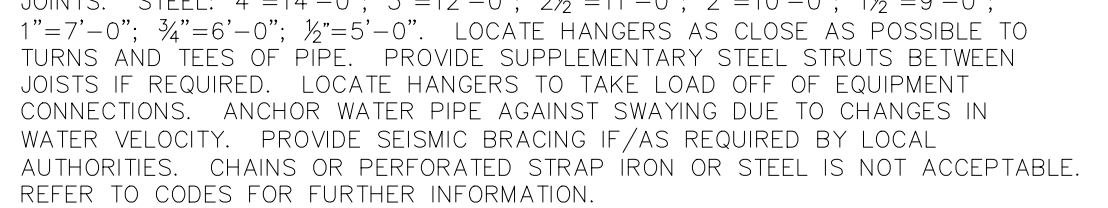
EXPANSION TANK INSTALLATION SHALL OCCUR ONLY WHEN THERE IS A BACKFLOW PREVENTION DEVICE INSTALLED WITHIN THE TENANT SPACE WATER SYSTEM OR BUILDING WATER SYSTEM.

10 SMALL EXPANSION TANK
NOT TO SCALE

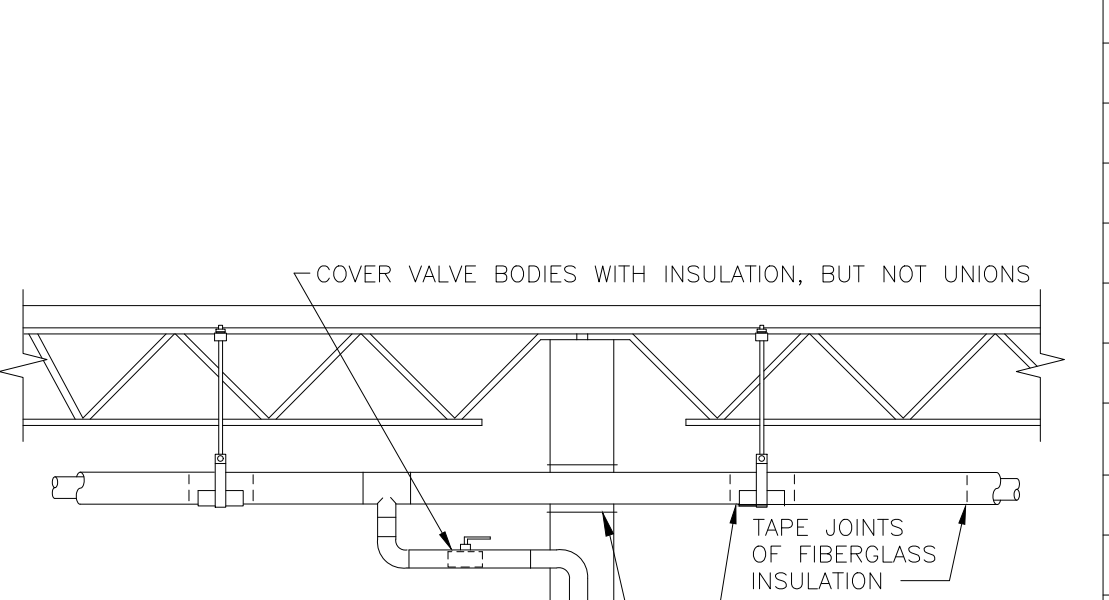


PROVIDE UPPER ATTACHMENT AS REQUIRED FOR CASES NOT SHOWN HERE. DO NOT INSTALL HANGER INSIDE INSULATION OR OTHERWISE PENETRATE VAPOR BARRIER. DO NOT HANG ONE PIPE FROM ANOTHER EXCEPT IN CHASES. TRAPEZE HANGERS MAY BE USED FOR MULTIPLE PARALLEL PIPES. HANGER SPACING FOR PIPE SIZE: COPPER: 4"-12"-0", 3"-11"-0", 2 1/2"-10"-0", 2"-9"-0", 1 1/2"-8"-0", 1 1/4"-7"-0", 1" & 3/4"-6"-0", 1/2"-5"-0". CAST IRON: 10"-0" AND ONE NEAR ALL JOINTS. STEEL: 4"-14"-0", 3"-12"-0", 2 1/2"-11"-0", 2"-10"-0", 1 1/2"-9"-0", 1"-7"-0", 3/4"-6"-0", 1/2"-5"-0". LOCATE HANGERS AS CLOSE AS POSSIBLE TO TURNS AND TEES OF PIPE. PROVIDE SUPPLEMENTARY STEEL STRUTS BETWEEN JOISTS IF REQUIRED. LOCATE HANGERS TO TAKE LOAD OFF OF EQUIPMENT CONNECTIONS. ANCHOR WATER PIPE AGAINST SWAYING DUE TO CHANGES IN WATER VELOCITY. PROVIDE SEISMIC BRACING IF/AS REQUIRED BY LOCAL AUTHORITIES. CHAINS OR PERFORATED STRAP IRON OR STEEL IS NOT ACCEPTABLE. REFER TO CODES FOR FURTHER INFORMATION.

05 PIPE HANGERS
NOT TO SCALE

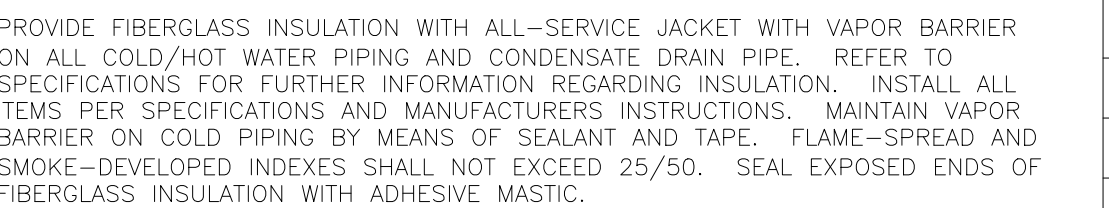


05 PIPE HANGERS
NOT TO SCALE

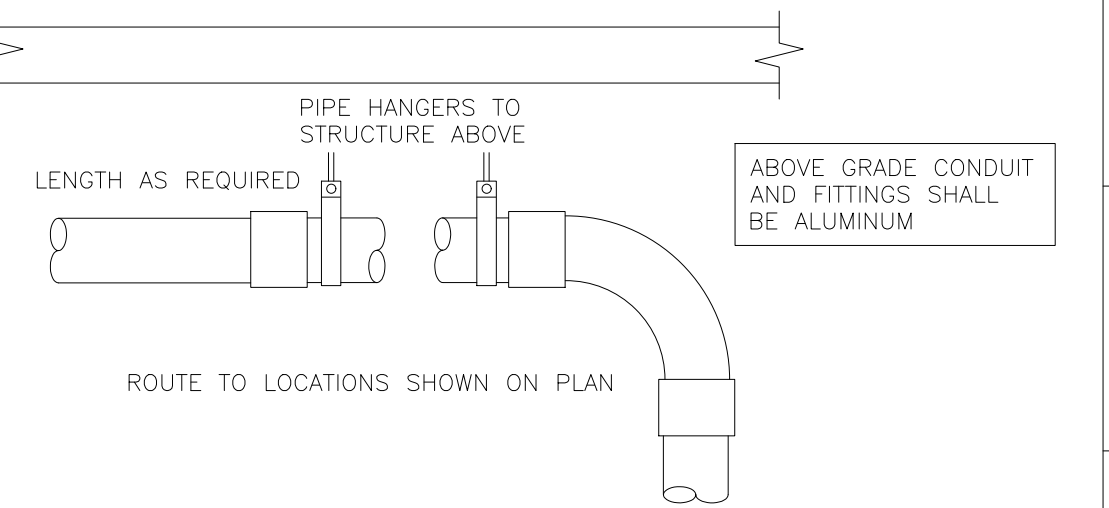


MITER THE INSULATION AT TEES AND ELBOWS SO THAT THERE ARE NO GAPS AT JOINTS. PROVIDE ONE-PIECE PRE-MOLDED PVC FITTING COVERS. PROVIDE INSULATION ON DOMESTIC HOT/COLD WATER PIPES, STORM WATER PIPES, AND CONDENSATE DRAIN PIPING IN WALLS AND CHASES. REFER TO OTHER DETAILS FOR TREATMENT OF INSULATION AT PENETRATION OF WALLS AND FIREWALLS.

01 PIPE INSULATION
NOT TO SCALE



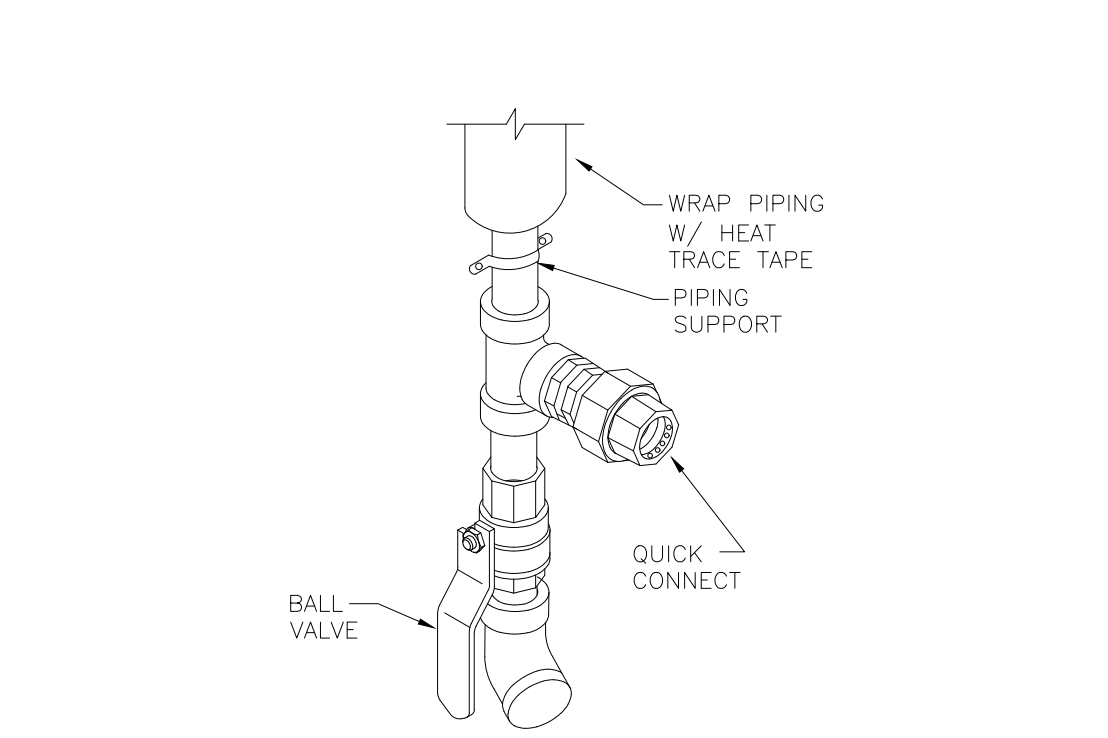
01 PIPE INSULATION
NOT TO SCALE



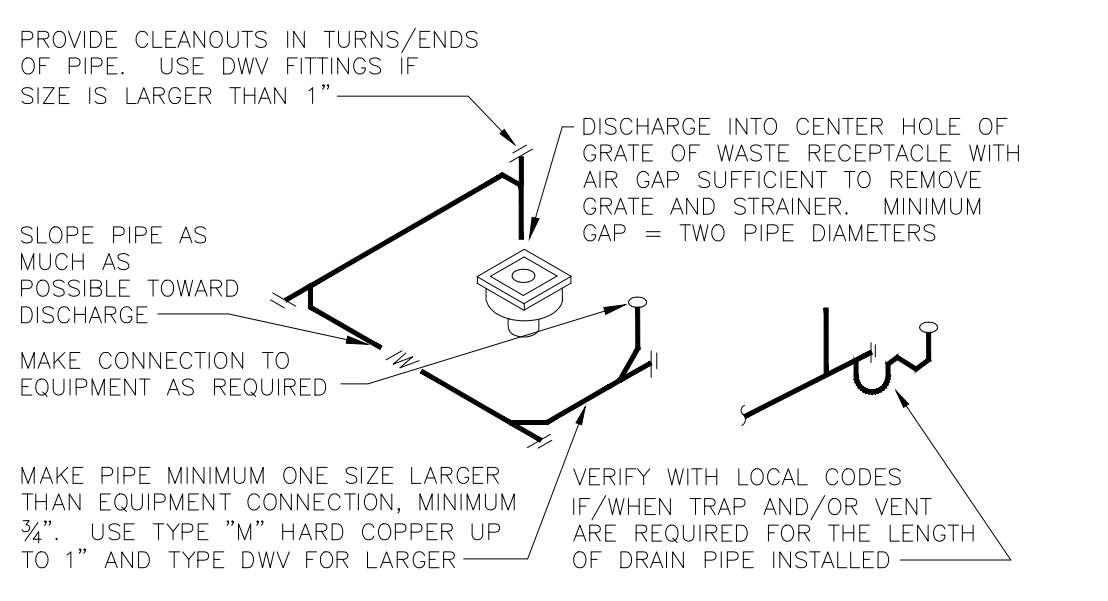
PROVIDE ALUMINUM BEVERAGE CONDUIT AND FITTINGS EQUAL TO BEVSTREAM SYSTEM (WWW.BEVSTREAM.COM). USE MINIMUM QUANTITY OF FITTINGS WITH LONG SWEEP ELBOWS AT BOTH ENDS WITH A MINIMUM RADIUS OF 30" ON 6" OR SMALLER AND 48" ON 8" OR LARGER. AVOID ELBOWS IN HORIZONTAL RUN IF AT ALL POSSIBLE. GENERAL CONTRACTOR SHALL SEAL ENDS OF CONDUIT WITH FOAM AFTER BEVERAGE LINES ARE INSTALLED IN CONDUIT. COORDINATE WITH FOOD SERVICE DRAWING FOR EXACT SIZE AND LOCATION OF CONDUIT. CUT CONCRETE FLOOR SLAB, BACKFILL, REPAIR VAPOR BARRIER AND PATCH SLAB PER ARCHITECT'S REQUIREMENTS.

02 BEVERAGE CONDUIT - ABOVE SLAB
NOT TO SCALE

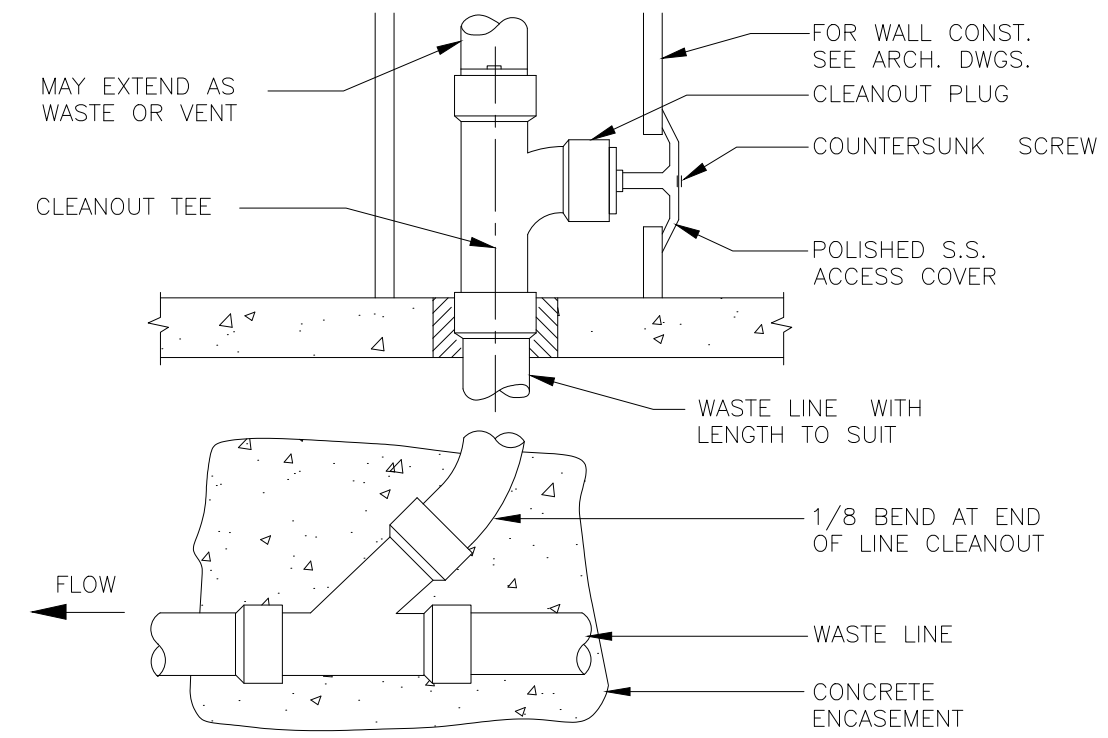
05 PIPE HANGERS
NOT TO SCALE



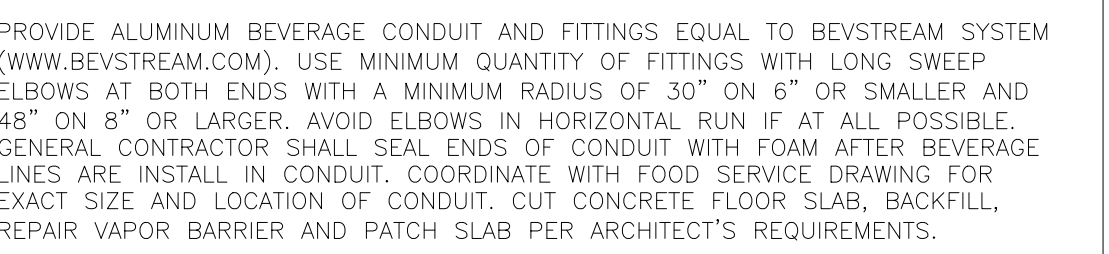
06 USED COOKING OIL RECOVERY
NOT TO SCALE



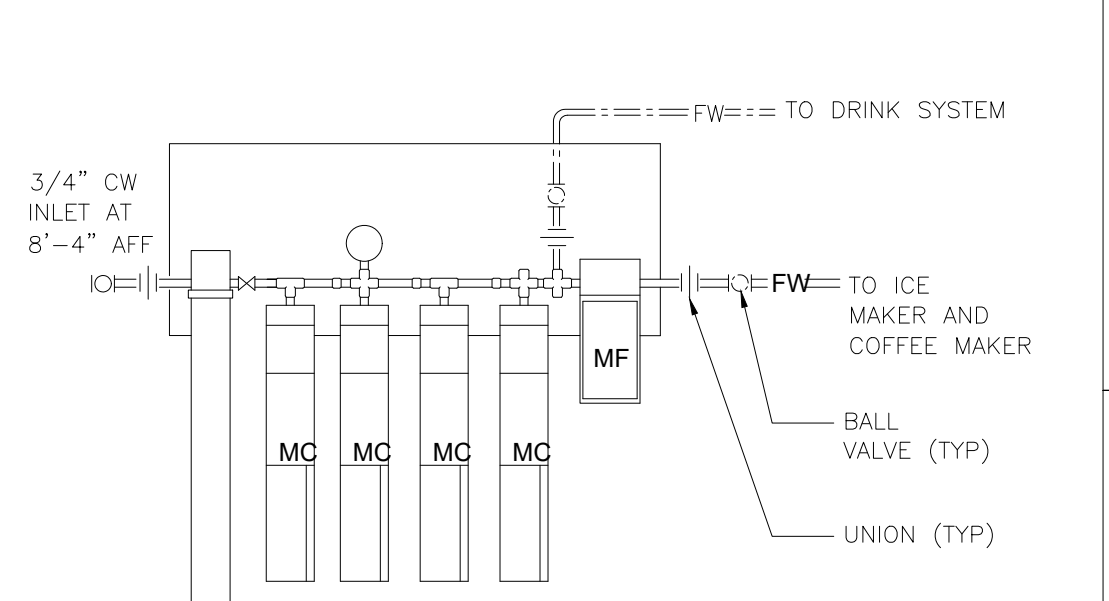
07 INDIRECT DRAIN
NOT TO SCALE



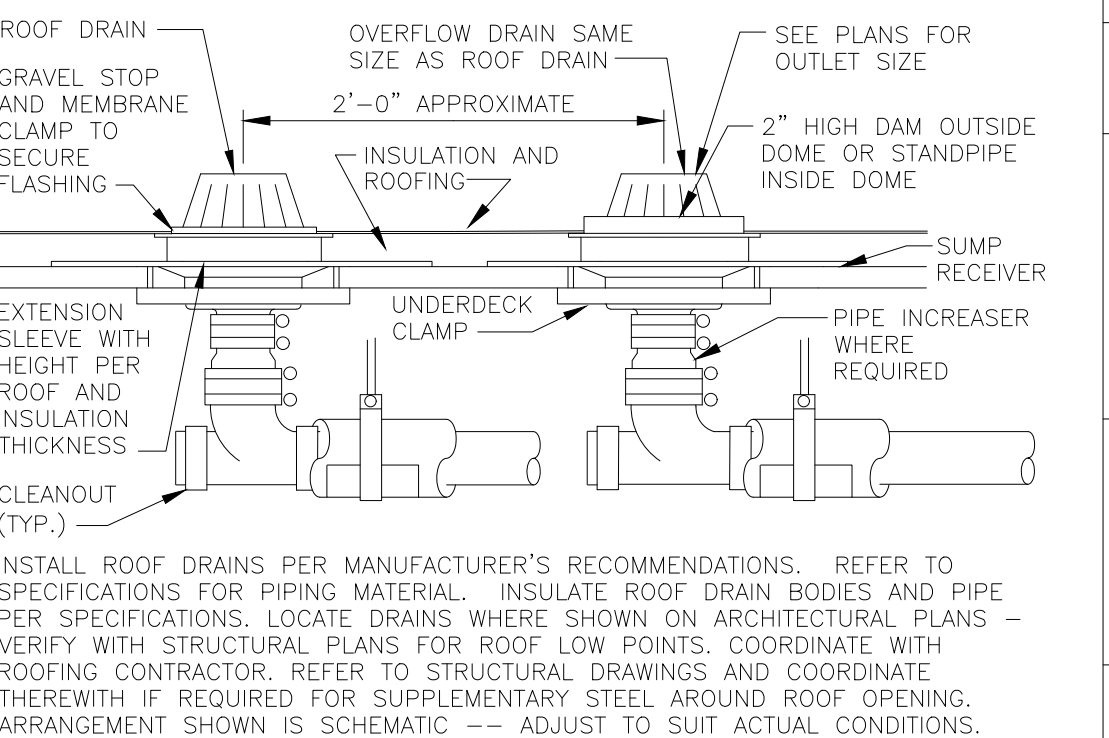
08 WALL CLEAN-OUT
NOT TO SCALE



03 WATER FILTER
NOT TO SCALE



04 ROOF DRAIN AND OVERFLOW
NOT TO SCALE



04 ROOF DRAIN AND OVERFLOW
NOT TO SCALE

ISSUE TABLE		
No.	Date (mm/dd/yyyy)	Description

REVISIONS		
No.	Date	Description
1	8/01/2023	RESPONSE TO CITY
2	9/04/2023	HEALTH COMMENTS
3	9/12/2023	RESPONSE TO CITY

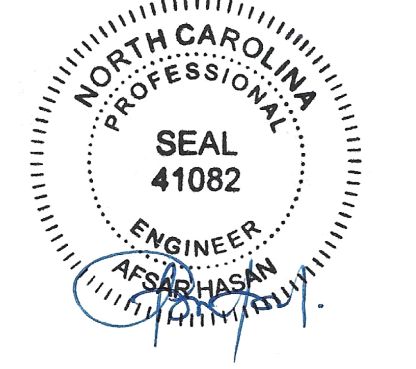
DRAWINGS REVISED AS PER DESIGN BULLETIN		
No.	Date	Description



PROJECT NORTH

THIS DRAWING IS OWNED BY OR LICENSED FOR USE BY POPEYES LOUISIANA KITCHEN (OR ITS AFFILIATED OR RELATED COMPANIES) AND MAY NOT BE REPRODUCED, USED, DOWNLOADED, DISSEMINATED, PUBLISHED OR TRANSMITTED IN ANY FORM OR BY ANY MEANS, EXCEPT WITH THE PRIOR WRITTEN CONSENT OF POPEYES LOUISIANA KITCHEN. COPYRIGHT INFRINGEMENT IS A VIOLATION OF FEDERAL LAW SUBJECT TO CRIMINAL AND CIVIL PENALTIES.

THE CONTRACTOR IS TO VERIFY ALL DIMENSIONS AND CONDITIONS ON THE PROJECT AND TO REPORT ANY DISCREPANCIES TO THE POPEYES LOUISIANA KITCHEN REPRESENTATIVE PRIOR TO COMMENCING WORK. THESE DRAWINGS ARE NOT TO BE USED FOR CONSTRUCTION PURPOSES UNLESS INDICATED BY POPEYES LOUISIANA KITCHEN AS "ISSUED FOR CONSTRUCTION".



9.13.2023

Company Logo

ARCHITECTURE-CIVIL ENGINEERING-MEP ENGINEERING
10755 SANDHILL ROAD, DALLAS, TEXAS 75238
TEL: 214-343-9400 www.dimensiongrp.com

Project

POPEYES

Store Type
US 2112 PROTOTYPE
2112-21

Location
1517 NC 24-87
CAMERON, NC

Drawing Title
PLUMBING DETAILS

Drawn	Checked
NI	AH
Scale	Date
	JUNE 2023
Project No.	Drawing No.
C22-129	P4.1

PLUMBING SPECIFICATION

GENERAL PROVISIONS

- A. WORK INCLUDES MODIFICATION TO EXISTING PLUMBING SYSTEM AND PROVIDING NEW MATERIALS, FITTINGS AND ACCESSORIES NECESSARY FOR A COMPLETE FUNCTIONING PLUMBING SYSTEM. ALL WORK SHALL BE IN ACCORDANCE WITH LOCAL CODES AND/OR ORDINANCES AND IS SUBJECT TO INSPECTION.
B. HOOK-UP CHARGES, PERMITS AND ALL OTHER EXPENSES RELATED TO A COMPLETE AND FUNCTIONING PLUMBING SYSTEM ARE INCLUDED AS A PART OF THIS SECTION.
C. INTENT OF THE DRAWINGS IS TO INDICATE GENERAL EXTENT OF WORK REQUIRED FOR THE PROJECT. DRAWINGS FOR PLUMBING WORK ARE DIAGRAMMATIC, SHOWING GENERAL LOCATION, TYPE, FIXTURES AND EQUIPMENT REQUIRED. DRAWINGS SHALL NOT BE SCALED FOR EXACT MEASUREMENTS. REFER TO MANUFACTURER'S STANDARD ROUGH-IN DRAWINGS FOR PLUMBING FIXTURE INSTALLATION REQUIREMENTS AND COMPLY WITH ALL APPLICABLE ADA INSTALLATION REQUIREMENTS.
D. COORDINATE WITH WORK OF OTHER SECTIONS, EQUIPMENT FURNISHED BY OTHERS AND WITH THE CONSTRAINTS OF EXISTING CONDITIONS OF THE PROJECT SITE.
E. ELECTRICAL CONTRACTOR, UNLESS OTHERWISE NOTED, IS TO PROVIDE POWER WIRING FOR EACH ITEM OF ELECTRICAL EQUIPMENT AND MAKE FINAL CONNECTIONS TO MOTORS.
F. ALL FINISH PAINTING IS TO BE PERFORMED BY GENERAL CONTRACTOR, EXCEPT AS NOTED ELSEWHERE. CONTRACTOR SHALL RESTORE TO ORIGINAL CONDITION ANY PAINTING DEFACED BY CONTRACTOR AFTER ORIGINAL PAINTING.
G. ALL WORK SHALL CONFORM TO CODES, RULES, AND REGULATIONS:
1. STATE PLUMBING CODE.
2. LOCAL BUILDING CODE.
3. NATIONAL FIRE PROTECTION ASSOCIATION.
4. CERTAIN CODES AND STANDARDS AS SET UP BY VARIOUS TECHNICAL SOCIETIES SUCH AS ASME, ASHRAE, ASTM, SMACNA, ARI, AABC, OR IECC.
5. FEDERAL OCCUPATIONAL SAFETY AND HEALTH STANDARDS.
6. LOCAL INSPECTOR'S REQUIREMENTS.
7. STATE INDUSTRIAL COMMISSION REQUIREMENTS.
8. BUILDING INSURING AGENCY REQUIREMENTS.
F. ALL PERMITS REQUIRED BY LAWS, ORDINANCES AND BUILDING CODES HAVING JURISDICTION SHALL BE OBTAINED AT THE PROPER TIME BY AND AT THE EXPENSE OF THIS CONTRACTOR.
G. THIS CONTRACTOR SHALL OBTAIN ALL INSPECTIONS REQUIRED BY ALL LAWS, ORDINANCES AND PUBLIC AUTHORITY HAVING JURISDICTION AND SHALL OBTAIN CERTIFICATES OF SUCH INSPECTIONS AND SUBMIT SAME TO THE ARCHITECT AND SHALL PAY ALL FEES, CHARGES, ASSESSMENTS AND OTHER EXPENSES IN CONNECTION THEREWITH.
H. PIPING AND EQUIPMENT LAYOUT IS SCHEMATIC. EXACT LOCATIONS ARE DETERMINED BY STRUCTURAL AND OTHER CONDITIONS. DESIGN OF SYSTEM MAY NOT BE CHANGED. ONLY EXACT LOCATION OF PIPING MAY BE REVISED TO SUIT CONSTRUCTION CONDITIONS AND IN COORDINATION WITH WORK OF OTHER CONTRACTORS.
I. MATERIALS AND EQUIPMENT INSTALLED IN THE WORK SHALL MEET REQUIREMENTS OF THE CONTRACT DOCUMENTS AND NO MATERIALS OR EQUIPMENT SHALL BE ORDERED UNTIL REVIEWED BY ENGINEER AND/OR ARCHITECT.
J. THIS CONTRACTOR SHALL SUBMIT SHOP DRAWINGS PER DOCUMENTS PROVIDED BY THE OWNER/ARCHITECT/CONTRACTOR.
1. EXPANSION TANK
2. DRAINS AND CLEANOUTS
3. VALVES
4. ALL PLUMBING FIXTURES, FAUCETS AND FITTINGS
5. WATER HEATER
6. PIPE INSULATION
7. GREASE INTERCEPTOR
K. CATALOG DATA FOR EQUIPMENT REVIEWED BY THE ARCHITECT SHALL NOT SUPERSEDE THE ENGINEER'S CONTRACT DOCUMENTS. REVIEW OF THE ENGINEER SHALL NOT RELIEVE THE CONTRACTOR FROM RESPONSIBILITY FOR DRAWINGS OR SPECIFICATIONS, PROVIDING PROPER CLEARANCE, FABRICATION PROCESS AND COORDINATION WITH OTHER TRADES.
L. WHEN SUBMITTED FOR ARCHITECT'S REVIEW, SHOP DRAWINGS SHALL BEAR THE CONTRACTOR'S CERTIFICATION THAT:
1. SHOP DRAWINGS HAVE BEEN REVIEWED, CHECKED, AND APPROVED. CONTRACTOR'S WORK IS IN HARMONY WITH THE REQUIREMENTS OF THE PROJECT AND WITH THE PROVISIONS OF THE CONTRACT DOCUMENTS.
2. CONTRACTOR HAS VERIFIED ALL FIELD MEASUREMENTS AND CONSTRUCTION CRITERIA, MATERIALS, CATALOG NUMBERS AND SIMILAR DATA.
M. CONTRACTOR SHALL ALSO CERTIFY THAT THE WORK REPRESENTED BY THE SHOP DRAWINGS IS RECOMMENDED BY THE CONTRACTOR AND THE CONTRACTOR'S GUARANTEE WILL FULLY APPLY.
N. ALL CONTRACTORS SUBMITTING PROPOSALS FOR THIS WORK SHALL FIRST EXAMINE SITE AND ALL CONDITIONS THEREIN. ALL PROPOSALS SHALL TAKE INTO CONSIDERATION ALL SUCH CONDITIONS AS MAY AFFECT THE WORK UNDER THIS CONTRACT. THE SUBMITTING OF A BID AUTOMATICALLY IMPLIES THAT THIS EXAMINATION OF SITE HAS BEEN DONE.
O. CONTRACTOR SHALL VERIFY LOCATION OF UTILITIES AND NOTE CONDITIONS WHICH WOULD AFFECT THE WORK. ALL DISCREPANCIES SHALL THEN BE REPORTED PRIOR TO THE BID AWARD.
P. PROVIDE INSTRUCTION TO OWNER'S OPERATING PERSONNEL AS NECESSARY, SHOWING LOCATIONS AND PROPER OPERATION OF MAJOR ITEMS OF EQUIPMENT AND SYSTEM COMPONENTS AND REFERRING TO THE OPERATING INSTRUCTION MANUAL DESCRIBED BELOW AS A GUIDE.
Q. COMPLETE A WRITTEN MANUAL OF OPERATING INSTRUCTIONS INCLUDING COPIES OF SHOP DRAWINGS AND A LISTING OF EQUIPMENT SUPPLIERS. ASSEMBLE IN 8-1/2" X 11" HARD BACKED INDEXED BINDER. MATERIAL SHALL BE AS FOLLOWS:
1. TITLE PAGE: TITLE OF JOB, TENDANT, ADDRESS, DATE OF SUBMISSION, CONTRACTOR AND ENGINEER.
2. INDEX.
3. SET OF MAJOR EQUIPMENT USED IN PROJECT ACCOMPANIED BY CONTRACTOR PURCHASE ORDER NUMBERS AND SUPPLIERS NAMES AND ADDRESSES.
4. ONE COPY OF EACH SHOP DRAWING GROUPED BY TYPES OF EQUIPMENT, I.E., PLUMBING FIXTURES, VALVES, ETC.
5. SECTION FOR EACH SYSTEM INCLUDING A BRIEF DESCRIPTION OF SYSTEM OPERATION WITH LOCATION OF MAJOR COMPONENTS AND A LIST OF ITEMS IN SYSTEM REQUIRING PERIODIC SERVICE.
R. SUBMIT A COMPLETED COPY TITLED "PLUMBING OPERATING INSTRUCTION MANUAL" ON BINDING EDGE OF BINDER TO ARCHITECT FOR APPROVAL. AFTER ARCHITECT'S REVIEW AND ANY CORRECTIONS REQUIRED ARE COMPLETED, SUBMIT A COPY OF MANUAL, TO OWNER.

GENERAL PROVISIONS

- C. PENETRATION
1. CLEAN PENETRATION HOLES OF DIRT, LOOSE MATERIALS AND FOREIGN MATTER WHICH MAY AFFECT BOND OR INSTALLATION.
2. REMOVE COATINGS SUCH AS PAINT, CURING COMPOUNDS, WATER REPELLENT & SEALERS AS REQUIRED.
3. INSTALL BACKING MATERIALS TO PREVENT LIQUID MATERIAL LEAKAGE.
D. APPLICATION
1. PREPARE AND APPLY PENETRATION SEALING SYSTEMS IN ACCORDANCE WITH MANUFACTURER'S PRINTED INSTRUCTIONS.
2. EMPLOY INSTALLATION TECHNIQUES WHICH WILL ENSURE THAT FIRESTOPPING IS DEPOSITED TO FILL AND SEAL HOLES AND OPENINGS.
3. TOOL EXPOSED SURFACES OF APPLIED SEALANT TO SMOOTH FINISH.
4. PROTECT MATERIALS FROM DAMAGE ON SURFACES SUBJECTED TO TRAFFIC.
E. PROVIDE INTUMESCENT SEALANTS AND COLLARS AT OPENINGS INVOLVING PLASTIC OR INSULATED PIPE SIMILAR TO METACALUK SERIES 880 AND 950.
F. FIRESTOPPING BY DOW CORNING, 3M, HILTI OR METACALUK MAY FURNISHED AT CONTRACTOR'S OPTION.
PIPE ANCHORS, HANGERS AND SUPPORTS
A. ALL PIPING SHALL BE SEPARATELY HUNG AND SUPPORTED FROM APPROVED STRUCTURAL MEMBERS OR CONCRETE OVERHEAD STRUCTURE ONLY. NO PIPE SHALL BE HUNG FROM ROOF DECK, PIPE, DUCTS OR OTHER COMPONENTS OR EQUIPMENT OF OTHER TRADES.
B. PROVIDE LISTED/APPROVED ADJUSTABLE HANGERS, INSERTS, BRACKETS, CLAMPS, SUPPLEMENTARY STEEL AND OTHER DEVICES REQUIRED FOR PROPER SUPPORT OF ALL PIPE LINES.
C. HANGERS SHALL BE DESIGNED TO ALLOW FOR EXPANSION AND CONTRACTION AND TO ALLOW INSULATION (WHERE APPLICABLE) TO RUN CONTINUOUSLY THROUGH HANGERS.
D. WIRE OR STRAP HANGERS ARE NOT PERMITTED. ADJUST HANGERS SO AS TO DISTRIBUTE WEIGHT LOAD EQUALLY ON ATTACHMENTS.

PLUMBING SYSTEM TESTING

- A. SYSTEM TESTING SHALL BE PROVIDED AS FOLLOWS:
1. ALL SYSTEMS SHALL BE TESTED PRIOR TO BEING CONCEALED BY ADDITIONAL WORK, FLOOR SLABS, WALLS, OR MECHANICAL SYSTEMS.
2. FURNISH ALL PUMPS FOR AIR AND WATER PRESSURE TESTS ALONG WITH GAUGES AND ANY OTHER REQUIRED TEST EQUIPMENT.
3. TEST SANITARY DRAINAGE AND VENT SYSTEM BY FILLING WITH WATER WITH ALL POINTS IN THE SYSTEM BEING SUBJECT TO PRESSURE OF AT LEAST 10' OF WATER. WATER LEVEL SHALL REMAIN STATIONARY FOR A PERIOD OF ONE HOUR, WITHOUT ANY PIPE OR JOINT LEAKAGE. IF TESTING INDICATES DEFICIENCIES, REPLACE OR REPAIR AS REQUIRED AND REPEAT TEST UNTIL STANDARDS ARE ACHIEVED.
4. TEST WATER SYSTEM UNDER 150 PSIG HYDROSTATIC PRESSURE, FOR FOUR (4) HOURS MINIMUM. WHEN TESTING INDICATES MATERIALS OR WORKMANSHIP IS DEFICIENT, REPLACE OR REPAIR AS REQUIRED, AND REPEAT TEST UNTIL STANDARDS ARE ACHIEVED.
B. REPAIR ANY LEAKING JOINTS AND DEMONSTRATE ACCEPTABLE LEAKAGE TO SATISFACTION OF OWNER'S REPRESENTATIVE AND APPROVING AUTHORITY. FLUSH ALL PIPING BEFORE PLACING INTO OPERATION.

STERILIZATION

- A. STERILIZE NEW DOMESTIC WATER LINES AFTER INSTALLATION.
B. FURNISH A CERTIFICATE OF STERILIZATION AND APPROVAL FOR HUMAN CONSUMPTION TO BE SIGNED BY A PROFESSIONAL ENGINEER REGISTERED IN THIS STATE, REGULARLY EMPLOYED BY TESTING LABORATORY. CERTIFICATE MUST BE GIVEN TO THE ARCHITECT AND OWNER BEFORE FINAL PAYMENT WILL BE MADE.
C. STERILIZATION SHALL BE BY MEANS OF CHLORINE INJECTED INTO WATER SYSTEM NEAR THE SOURCE AND OUTLETS THROUGHOUT THE SYSTEM SHALL BE TESTED TO PROVE PRESENCE OF MINIMUM REQUIREMENTS. LEAVE CHLORINE IN FOR 24 HOURS AND FLUSH OUT SYSTEM UPON COMPLETION OF WORK. STERILIZATION PROCEDURE SHALL BE WITNESSED BY THE OWNER'S REPRESENTATIVE.
D. STERILIZATION SHALL BE PERFORMED UNDER THE IMMEDIATE SUPERVISION OF A WATER TESTING LABORATORY REGULARLY ENGAGED IN THE SERVICE AND SHALL BE DONE ACCORDING TO THEIR INSTRUCTIONS.

IDENTIFICATION FOR PLUMBING PIPING AND EQUIPMENT

- A. STENCILS, LABELS, TAGS, AND COLOR CODES SHALL CONFORM TO ANSI A13.
B. PRODUCTS SHALL BE SETON. EQUAL PRODUCTS BY BRADY MAY BE FURNISHED AT CONTRACTOR'S OPTION.
C. STENCILS FOR EQUIPMENT SHALL BE REUSABLE AND HAVE 1" HIGH CHARACTERS. CHARACTERS SHALL BE PAINTED WHITE OVER A BLACK BACKGROUND. STENCIL ONLY AFTER FINAL PAINTING IS COMPLETE. CHARACTERS SHALL BE LEGIBLE FROM FLOOR. APPLY CLEAR ACRYLIC, LACQUER, OR VARNISH OVER FINISHED STENCIL.
D. FOR PIPING PROVIDE ANSI STANDARD COLOR FLEXIBLE VINYL LABELS WITH PERMANENT PRESSURE SENSITIVE ADHESIVE BACK. LABEL SHALL BE OF SUFFICIENT LENGTH TO ENCRICLE PIPE (AND INSULATION WHEN APPLICABLE) AND OVERLAP ON ITSELF. EACH LABEL SHALL HAVE AT LEAST ONE FLOW DIRECTION ARROW AND SHALL BE PERMANENTLY LABELED WITH PIPE CONTENT.
E. SYSTEM PIPING TO LABELED SHALL INCLUDE THE FOLLOWING:
1. SANITARY WASTE AND VENT (ABOVE GRADE ONLY)
2. STORM AND OVERFLOW PIPING (ABOVE GRADE ONLY)
3. DOMESTIC WATER (INCLUDING COLD, HOT, RECIRCULATING, FILTERED, AND REVERSE OSMOSIS)
4. NATURAL GAS
5. USED COOKING OIL
F. DOMESTIC WATER PIPING SHALL BE LABELED ON EXTERIOR OF INSULATION IN ACCORDANCE WITH ANSI A13.
G. PIPING, VALVES, DRAINS, CONTROL PANELS AND SIMILAR EQUIPMENT SHALL BE IDENTIFIED AS TO FUNCTION AND SYSTEM NUMBER AS DIRECTED BY THE OWNER'S REPRESENTATIVE AND AS LISTED BELOW:

IDENTIFICATION FOR PLUMBING PIPING AND EQUIPMENT

- IDENTIFICATION ITEM : TYPE
PIPING : STENCIL OR PIPE LABEL
VALVES : TAG
PIPING SPECIALTY : TAG
WATER HEATER AND OTHER EQUIPMENT : STENCIL
H. IDENTIFY PIPE LINES WITH STENCIL OR PIPE LABEL WITH COLOR CODED BANDS AT THE FOLLOWING LOCATIONS:
1. AT EQUIPMENT CONNECTION AT EACH VALVE.
2. AT BOTH SIDES OF WALLS THROUGH WHICH PIPE PASSES.
3. AT EVERY 20 FT. INTERVAL ON CONTINUOUS PIPE LINES.
4. AT EACH BRANCH CONNECTION.

FIRESTOPPING

- A. EACH CONTRACTOR SHALL BE RESPONSIBLE FOR FIRESTOPPING AROUND ALL OPENINGS FOR PIPES, DUCTS, CONDUITS ETC. INSTALLED BY CONTRACTOR AT ALL FIRE WALLS. FIRESTOPPING SHALL BE PERFORMED BY AN INSTALLER WHO HAS BEEN TRAINED BY MANUFACTURER, OR MANUFACTURER'S REPRESENTATIVE, IN THE INSTALLATION PROCEDURES BASED ON PUBLISHED UL TESTED FIRE STOP SYSTEMS.
B. FIRESTOPPING SHALL MEET THE REQUIREMENTS OF ASTM E-814 OR UL 1479 FIRE TESTS BY A RECOGNIZED TESTING AGENCY. FIRESTOPPING SHALL ALSO CONFORM TO GOVERNING CODES AS FOLLOWS: INTERNATIONAL BUILDING CODE, NFPA 101 - LIFE SAFETY CODE & NFPA 70 - NATIONAL ELECTRIC CODE.

C. PENETRATION

- 1. CLEAN PENETRATION HOLES OF DIRT, LOOSE MATERIALS AND FOREIGN MATTER WHICH MAY AFFECT BOND OR INSTALLATION.
2. REMOVE COATINGS SUCH AS PAINT, CURING COMPOUNDS, WATER REPELLENT & SEALERS AS REQUIRED.
3. INSTALL BACKING MATERIALS TO PREVENT LIQUID MATERIAL LEAKAGE.
D. APPLICATION
1. PREPARE AND APPLY PENETRATION SEALING SYSTEMS IN ACCORDANCE WITH MANUFACTURER'S PRINTED INSTRUCTIONS.
2. EMPLOY INSTALLATION TECHNIQUES WHICH WILL ENSURE THAT FIRESTOPPING IS DEPOSITED TO FILL AND SEAL HOLES AND OPENINGS.
3. TOOL EXPOSED SURFACES OF APPLIED SEALANT TO SMOOTH FINISH.
4. PROTECT MATERIALS FROM DAMAGE ON SURFACES SUBJECTED TO TRAFFIC.
E. PROVIDE INTUMESCENT SEALANTS AND COLLARS AT OPENINGS INVOLVING PLASTIC OR INSULATED PIPE SIMILAR TO METACALUK SERIES 880 AND 950.
F. FIRESTOPPING BY DOW CORNING, 3M, HILTI OR METACALUK MAY FURNISHED AT CONTRACTOR'S OPTION.
PIPE ANCHORS, HANGERS AND SUPPORTS
A. ALL PIPING SHALL BE SEPARATELY HUNG AND SUPPORTED FROM APPROVED STRUCTURAL MEMBERS OR CONCRETE OVERHEAD STRUCTURE ONLY. NO PIPE SHALL BE HUNG FROM ROOF DECK, PIPE, DUCTS OR OTHER COMPONENTS OR EQUIPMENT OF OTHER TRADES.
B. PROVIDE LISTED/APPROVED ADJUSTABLE HANGERS, INSERTS, BRACKETS, CLAMPS, SUPPLEMENTARY STEEL AND OTHER DEVICES REQUIRED FOR PROPER SUPPORT OF ALL PIPE LINES.
C. HANGERS SHALL BE DESIGNED TO ALLOW FOR EXPANSION AND CONTRACTION AND TO ALLOW INSULATION (WHERE APPLICABLE) TO RUN CONTINUOUSLY THROUGH HANGERS.
D. WIRE OR STRAP HANGERS ARE NOT PERMITTED. ADJUST HANGERS SO AS TO DISTRIBUTE WEIGHT LOAD EQUALLY ON ATTACHMENTS.

PLUMBING SYSTEM TESTING

- A. SYSTEM TESTING SHALL BE PROVIDED AS FOLLOWS:
1. ALL SYSTEMS SHALL BE TESTED PRIOR TO BEING CONCEALED BY ADDITIONAL WORK, FLOOR SLABS, WALLS, OR MECHANICAL SYSTEMS.
2. FURNISH ALL PUMPS FOR AIR AND WATER PRESSURE TESTS ALONG WITH GAUGES AND ANY OTHER REQUIRED TEST EQUIPMENT.
3. TEST SANITARY DRAINAGE AND VENT SYSTEM BY FILLING WITH WATER WITH ALL POINTS IN THE SYSTEM BEING SUBJECT TO PRESSURE OF AT LEAST 10' OF WATER. WATER LEVEL SHALL REMAIN STATIONARY FOR A PERIOD OF ONE HOUR, WITHOUT ANY PIPE OR JOINT LEAKAGE. IF TESTING INDICATES DEFICIENCIES, REPLACE OR REPAIR AS REQUIRED AND REPEAT TEST UNTIL STANDARDS ARE ACHIEVED.
4. TEST WATER SYSTEM UNDER 150 PSIG HYDROSTATIC PRESSURE, FOR FOUR (4) HOURS MINIMUM. WHEN TESTING INDICATES MATERIALS OR WORKMANSHIP IS DEFICIENT, REPLACE OR REPAIR AS REQUIRED, AND REPEAT TEST UNTIL STANDARDS ARE ACHIEVED.
B. REPAIR ANY LEAKING JOINTS AND DEMONSTRATE ACCEPTABLE LEAKAGE TO SATISFACTION OF OWNER'S REPRESENTATIVE AND APPROVING AUTHORITY. FLUSH ALL PIPING BEFORE PLACING INTO OPERATION.

STERILIZATION

- A. STERILIZE NEW DOMESTIC WATER LINES AFTER INSTALLATION.
B. FURNISH A CERTIFICATE OF STERILIZATION AND APPROVAL FOR HUMAN CONSUMPTION TO BE SIGNED BY A PROFESSIONAL ENGINEER REGISTERED IN THIS STATE, REGULARLY EMPLOYED BY TESTING LABORATORY. CERTIFICATE MUST BE GIVEN TO THE ARCHITECT AND OWNER BEFORE FINAL PAYMENT WILL BE MADE.
C. STERILIZATION SHALL BE BY MEANS OF CHLORINE INJECTED INTO WATER SYSTEM NEAR THE SOURCE AND OUTLETS THROUGHOUT THE SYSTEM SHALL BE TESTED TO PROVE PRESENCE OF MINIMUM REQUIREMENTS. LEAVE CHLORINE IN FOR 24 HOURS AND FLUSH OUT SYSTEM UPON COMPLETION OF WORK. STERILIZATION PROCEDURE SHALL BE WITNESSED BY THE OWNER'S REPRESENTATIVE.
D. STERILIZATION SHALL BE PERFORMED UNDER THE IMMEDIATE SUPERVISION OF A WATER TESTING LABORATORY REGULARLY ENGAGED IN THE SERVICE AND SHALL BE DONE ACCORDING TO THEIR INSTRUCTIONS.

IDENTIFICATION FOR PLUMBING PIPING AND EQUIPMENT

- A. STENCILS, LABELS, TAGS, AND COLOR CODES SHALL CONFORM TO ANSI A13.
B. PRODUCTS SHALL BE SETON. EQUAL PRODUCTS BY BRADY MAY BE FURNISHED AT CONTRACTOR'S OPTION.
C. STENCILS FOR EQUIPMENT SHALL BE REUSABLE AND HAVE 1" HIGH CHARACTERS. CHARACTERS SHALL BE PAINTED WHITE OVER A BLACK BACKGROUND. STENCIL ONLY AFTER FINAL PAINTING IS COMPLETE. CHARACTERS SHALL BE LEGIBLE FROM FLOOR. APPLY CLEAR ACRYLIC, LACQUER, OR VARNISH OVER FINISHED STENCIL.
D. FOR PIPING PROVIDE ANSI STANDARD COLOR FLEXIBLE VINYL LABELS WITH PERMANENT PRESSURE SENSITIVE ADHESIVE BACK. LABEL SHALL BE OF SUFFICIENT LENGTH TO ENCRICLE PIPE (AND INSULATION WHEN APPLICABLE) AND OVERLAP ON ITSELF. EACH LABEL SHALL HAVE AT LEAST ONE FLOW DIRECTION ARROW AND SHALL BE PERMANENTLY LABELED WITH PIPE CONTENT.
E. SYSTEM PIPING TO LABELED SHALL INCLUDE THE FOLLOWING:
1. SANITARY WASTE AND VENT (ABOVE GRADE ONLY)
2. STORM AND OVERFLOW PIPING (ABOVE GRADE ONLY)
3. DOMESTIC WATER (INCLUDING COLD, HOT, RECIRCULATING, FILTERED, AND REVERSE OSMOSIS)
4. NATURAL GAS
5. USED COOKING OIL
F. DOMESTIC WATER PIPING SHALL BE LABELED ON EXTERIOR OF INSULATION IN ACCORDANCE WITH ANSI A13.
G. PIPING, VALVES, DRAINS, CONTROL PANELS AND SIMILAR EQUIPMENT SHALL BE IDENTIFIED AS TO FUNCTION AND SYSTEM NUMBER AS DIRECTED BY THE OWNER'S REPRESENTATIVE AND AS LISTED BELOW:

IDENTIFICATION FOR PLUMBING PIPING AND EQUIPMENT

- IDENTIFICATION ITEM : TYPE
PIPING : STENCIL OR PIPE LABEL
VALVES : TAG
PIPING SPECIALTY : TAG
WATER HEATER AND OTHER EQUIPMENT : STENCIL
H. IDENTIFY PIPE LINES WITH STENCIL OR PIPE LABEL WITH COLOR CODED BANDS AT THE FOLLOWING LOCATIONS:
1. AT EQUIPMENT CONNECTION AT EACH VALVE.
2. AT BOTH SIDES OF WALLS THROUGH WHICH PIPE PASSES.
3. AT EVERY 20 FT. INTERVAL ON CONTINUOUS PIPE LINES.
4. AT EACH BRANCH CONNECTION.

FIRESTOPPING

- A. EACH CONTRACTOR SHALL BE RESPONSIBLE FOR FIRESTOPPING AROUND ALL OPENINGS FOR PIPES, DUCTS, CONDUITS ETC. INSTALLED BY CONTRACTOR AT ALL FIRE WALLS. FIRESTOPPING SHALL BE PERFORMED BY AN INSTALLER WHO HAS BEEN TRAINED BY MANUFACTURER, OR MANUFACTURER'S REPRESENTATIVE, IN THE INSTALLATION PROCEDURES BASED ON PUBLISHED UL TESTED FIRE STOP SYSTEMS.
B. FIRESTOPPING SHALL MEET THE REQUIREMENTS OF ASTM E-814 OR UL 1479 FIRE TESTS BY A RECOGNIZED TESTING AGENCY. FIRESTOPPING SHALL ALSO CONFORM TO GOVERNING CODES AS FOLLOWS: INTERNATIONAL BUILDING CODE, NFPA 101 - LIFE SAFETY CODE & NFPA 70 - NATIONAL ELECTRIC CODE.

INSULATION

- 5. SHOW FLOW DIRECTION ARROWS AT EACH IDENTIFICATION POINT.
A. PIPE INSULATION AND APPURTENANCES AND COVERINGS ON PIPES USED IN CHASES, SHAFTS OR OTHER CONCEALED SPACES IN TYPES 1 AND 2 CONSTRUCTION SHALL HAVE A FLAME SPREAD RATING NOT EXCEEDING TWENTY-FIVE (25) AND IN TYPE 3 AND 4 CONSTRUCTION NOT EXCEEDING SEVENTY-FIVE (75) AND A SMOKE DEVELOPED RATING NOT EXCEEDING FIFTY (50).
B. INSULATION SHALL BE RIDGE ONE-PIECE FIBERGLASS PIPE INSULATION WITH REQUIREMENTS COMPLYING WITH ASTM C 547, SELF-SEALING ADHESIVE LAP LONGITUDINAL JOINTS AND BUTT STRIPS FOR TRANSVERSE JOINTS. JACKETING SHALL CONFORM TO ASTM C 1136, TYPE 1, MAXIMUM VAPOR TRANSMISSION RATING OF 0.02 PERM WHEN TESTED ACCORDING TO ASTM E 96, PROCEDURE A, (K VALVE) 0.25 BTU/IN./HR. * FT2 * F AT 75°F MEAN TEMPERATURE WITH A MINIMUM R-VALUE OF R4.
C. PROVIDE INSULATION THICKNESS AS INDICATED:
DOMESTIC COLD WATER PIPING 1" AND SMALLER: 1/2" THICK
DOMESTIC COLD WATER PIPING 1-1/4" - 1-1/2": 3/4" THICK
DOMESTIC COLD WATER 2" AND LARGER: 1" THICK
DOMESTIC HOT WATER PIPING 3/4" AND SMALLER: 1" THICK
DOMESTIC HOT WATER PIPING 1" - 1-1/2": 1-1/2" THICK
PLUMBING VENT PIPING WITHIN 6 FEET OF ROOF OUTLET: 1" THICK
CONDENSATE PIPING: 1/2" THICK
USED COOKING OIL 1" THICK
STORM DRAIN PIPING: 1" THICK
OVERFLOW STORM DRAIN PIPING: 1" THICK
D. GLUE IN PLACE WITH SCHULLER U-GLUE.
E. THE FITTINGS SHALL BE INSULATED WITH SCHULLER ZESTON INSULATION AND HAVE FACTORY PRE-MOLDED PVC TAPS. BUTT JOINTS TOGETHER AND WRAP WITH 3" WIDE STRIP COVER, SEAL IN PLACE WITH SCHULLER U-GLUE.
F. INSULATION SHALL NOT BE APPLIED UNTIL THE GENERAL CONSTRUCTION HAS PROGRESSED SUFFICIENTLY TO INSURE AGAINST PHYSICAL OR MOISTURE DAMAGE TO THE INSULATION. ALL INSULATION DAMAGED THROUGH FAILURE TO OBSERVE THIS DIRECTIVE, SHALL BE REPLACED AT PLUMBING CONTRACTOR'S EXPENSE.
G. INSTALL ALL INSULATION ACCORDING TO MANUFACTURER'S RECOMMENDATIONS.
H. INSULATION SHALL NOT BE APPLIED OVER FLANGES, JOINTS AND SEAMS IN PIPING.
I. INSULATION SHALL BE SCHULLER, EQUAL PRODUCT BY ARMSTRONG, CERTAINTED, OWENS-CORNING OR KNAUF MAY BE FURNISHED AT THE CONTRACTOR'S OPTION.
J. PROVIDE INSULATION FOR WATER AND WASTE PIPING BELOW HANDICAP LAVATORIES/SINKS AS FOLLOWS:
PROVIDE TRUBRO "LAVGUARD 2" ADA TRAP AND SUPPLY PROTECTION OR EQUAL. INSTALL PER MANUFACTURER'S RECOMMENDATIONS.

PLUMBING BASIC MATERIALS AND METHODS

- A. PIPING SYSTEMS - GENERAL: ALL PIPING SHALL BE RUN PARALLEL TO BUILDING LINES AND SUPPORTED AND ANCHORED AS REQUIRED TO FACILITATE EXPANSION AND CONTRACTION. ALL PIPING SHALL BE CONCEALED UNLESS IN UNFINISHED SPACES. INSTALL AS REQUIRED TO MEET ALL CONSTRUCTION CONDITIONS AND TO ALLOW FOR INSTALLATION OF OTHER WORK SUCH AS DUCTS AND ELECTRICAL CONDUIT. AT ALL CONNECTIONS BETWEEN FERROUS PIPING AND NONFERROUS PIPING PROVIDE AN ISOLATING DIELECTRIC UNION. ALL HANGERS SHALL BE COMPATIBLE WITH PIPING MATERIAL TO PREVENT CORROSION.
B. PROVIDE ALL FITTINGS, ACCESSORIES, OFFSETS, AND MATERIALS NECESSARY TO FACILITATE THE PLUMBING SYSTEM'S FUNCTIONING AS INDICATED BY THE DESIGN AND EQUIPMENT INDICATED.
C. FIXTURES/EQUIPMENT FURNISHED BY OTHERS: PLUMBING CONTRACTOR SHALL PROVIDE UTILITY CONNECTIONS REQUIRED SUCH AS WATER, GAS, SUPPLIES, WASTE OUTLET AND TRAPS AT ALL PLUMBING FIXTURES OR EQUIPMENT FURNISHED BY OWNER, GENERAL CONTRACTOR, AND EQUIPMENT SUPPLIER. INCLUDED ARE: STOP VALVES, ESCUTCHEONS, AND CHROME PLATED BRASS TUBING WITH COMPRESSION FITTINGS. THIS CONTRACTOR IS TO BECOME INFORMED OF THE EXACT DIMENSIONS OF FINISHED WORK WHERE PIPES ARE TO BE PLACED AND SHALL ARRANGE THE WORK ACCORDINGLY, ASSUMING ALL RESPONSIBILITY FOR PROPER LOCATION. MAINS SHALL BE ERECTED WITH SPECIAL CARE TO PROVIDE SUPPORT AND PROPER ALLOWANCES FOR EXPANSION.
D. ALL PIPE LINES MUST BE PROVIDED WITH A SUFFICIENT NUMBER OF FITTINGS OR UNIONS TO MAKE POSSIBLE DISASSEMBLY WITHOUT BREAKAGE OF FITTINGS.
E. ALL EXPOSED PIPING SHALL BE NEAT AND CAREFULLY ALIGNED WITH THE STRUCTURAL ELEMENTS OF THE BUILDING.
F. DRAWINGS ARE DIAGRAMMATIC AND SHOULD NOT BE USED FOR LAYOUT WORK.
G. ALL LOW POINTS IN WATER PIPING SHALL HAVE DRAIN VALVES WITH STANDARD HOSE ATTACHMENTS. HOT AND COLD WATER PIPING SHALL PITCH TOWARD NEAREST DRAIN VALVE.
H. ALL PIPES TO BE INSTALLED SHALL BE LOCATED AT SUFFICIENT DISTANCE FROM WALLS, OTHER PIPES, CONDUIT, DUCTWORK AND OTHER OBSTACLES TO AVOID INTERFERENCE AND TO PERMIT THE APPLICATION OF FULL THICKNESS OF INSULATION SPECIFIED.
I. MECHANICAL JOINT TYPE PIPING SHALL BE INSTALLED PER MANUFACTURER'S RECOMMENDATIONS. THERMOMETERS BY TRERICE, ASHCROFT, MARSHALTOWN, AND WEISS ARE ACCEPTABLE.
J. ACCESS PANELS SHALL BE PROVIDED WHERE CONCEALED CONTROL DEVICES AND VALVES ARE CONCEALED WITHIN WALLS, WHERE ACCESS FOR ADJUSTMENT AND MAINTENANCE IS POSSIBLE THROUGH LAY-IN SUSPENDED CEILINGS ACCESS PANELS ARE NOT REQUIRED.
K. SHUTOFF VALVES WITH UNIONS SHALL BE PROVIDED FOR SERVICE TO EACH PLUMBING FIXTURE, OR OTHER EQUIPMENT ITEMS TO FACILITATE ISOLATION FOR REPAIR OR REPLACEMENT. PIPE LINE VALVES SHALL BE EQUAL TO CRANE SERIES #9202, QUARTER TURN BALL VALVE. CONSTRUCTION - TWO PIECE, BRONZE BODY, FULL PORTED, CHROME PLATED BRASS BALL, REPLACEABLE "TEFLON OR TFE" SEATS AND SEALS. RATING - 150 PSI WSP, 600 PSI WOG. CONNECTIONS - SOLDER OR THREE END TO MATCH PIPING. STANDARDS COMPLIANCE - BRONZE OR BRASS VALVES: MSS-SP-110, WHEN SHUTOFF VALVE ARE PLACE IN THE CEILING THE VALVES WILL BE LOCATED AT A MAXIMUM OF 12" ABOVE THE CEILING, AND NOTHING SHALL BE PLACE BETWEEN THE CEILING ACCESS AND THE VALVES.

PLUMBING SYSTEMS

- A. SANITARY WASTE AND VENT PIPING SHALL BE PROVIDED AS FOLLOWS:
1. PROVIDE ALL SANITARY DRAINS AND PIPING WITHIN THE PROJECT SPACE WITH CONNECTION TO EXISTING DRAINAGE SYSTEMS ON-SITE.
2. SANITARY DRAINAGE PIPING ABOVE FLOOR SHALL BE ABS/PVC PLASTIC PIPE, WITH SOLVENT WELD FITTINGS, OR HUBLESS CAST-IRON PIPE AND FITTINGS AND CONNECTIONS. SANITARY DRAINAGE PIPING BELOW GRADE SHALL BE ABS/PVC PLASTIC PIPE WITH SOLVENT WELD FITTINGS, OR SERVICE-WEIGHT HUB AND SPIGOT TYPE CAST-IRON WITH NEOPRENE GASKET JOINT SYSTEM.
3. ALL SANITARY WASTE PIPING SHALL BE UNIFORMLY PITCHED AT 1/4" PER FOOT FOR PIPE SIZES 3" AND SMALLER, 1/8" PER FOOT FOR PIPE SIZES 4"-6", AND 1/16" PER FOOT FOR PIPE SIZES 8" OR LARGER UNLESS OTHERWISE REQUIRED BY EXISTING CONDITIONS, OR INDICATED ON DRAWINGS.

GAS PIPING

- A. PROVIDE A COMPLETE GAS PIPING SYSTEM TO SERVE GAS FIRED HVAC EQUIPMENT, DOMESTIC WATER HEATERS AND EQUIPMENT FURNISHED BY OTHERS, AS NOTED ON DRAWINGS.
C. NATURAL GAS PIPING SHALL BE AS FOLLOWS:
1. ASTM A-53 SCHEDULE 40 STEEL PIPE PAINTED WITH YELLOW ANTI-CORROSION PAINT, SCREWED OR WELDED IN ACCORDANCE WITH CODE REQUIREMENT (FITTINGS FOR LINES LARGER THAN 2" SHALL BE WELDED STEEL. FITTINGS FOR LINES 2" AND SMALLER, EXCEPT WHEN LOCATED IN AIR PLENUMS, SHALL BE SCREWED. STANDARD WEIGHT BLACK MALLEABLE).
D. PROVIDE ALL UNIONS, SHUT-OFF VALVES AND DIRT LEGS REQUIRED BY NFPA-54 AND GOVERNING LOCAL CODES AND AT EACH GAS APPLIANCE CONNECTION.
E. PROVIDE ALL TESTS, METERS, INSPECTIONS, HANGERS AND EQUIPMENT CONNECTIONS REQUIRED FOR A COMPLETE AND OPERATING SYSTEM.
F. PAINT ALL GAS PIPING EXPOSED TO WEATHER WITH ONE COAT OF PRIMER, AND TWO COATS OF RUST-PROOF PAINT. COLOR OF PIPE OR ROOF SHALL BE YELLOW. COORDINATE COLOR OF PIPE ON EXTERIOR OF BUILDING WITH GC TO MATCH BUILDING COLORS.
G. GAS COCKS 1-1/2" AND SMALLER SHALL BE ALL BRONZE, SCREWED, FLAT HEAD, BRASS PLUG AND WASHER 200 LB. NOG. PROVIDE LINE SIZE, LEAD AND DIRT LEG DOWN STREAM OF GAS COCK AT ALL EQUIPMENT CONNECTIONS.
H. NO VALVES ARE TO BE LOCATED IN AIR PLENUMS.
I. PROVIDE GAS PIPE SUPPORTS IN ACCORDANCE WITH CODE REQUIREMENTS.
PLUMBING PIPING SPECIALTIES - USED COOKING OIL
A. ASTM A-53 SCHEDULE 40 STEEL PIPE THREADED AND SCREWED OR WELDED WITH STANDARD WEIGHT BLACK MALLEABLE FITTINGS.
B. PROVIDE UNION AT ALL EQUIPMENT CONNECTIONS.
C. PROVIDE PIPE SUPPORTS AND STANDOFF HANGERS IN ACCORDANCE WITH CODE REQUIREMENTS.
D. EXTERIOR UOD PIPING WITH INSULATION TO EXTERIOR TANK REQUIRES A STAINLESS STEEL INSULATION JACKET WITH ALL JOINTS AND SEAMS SEALED WATER TIGHT USING WATERPROOF UV RESISTANT CLEAR SEALANT (3M CLEAR HYBRID 730 UV OR EQUAL RATED TO 194 DEGREE F) WITH THE ENDS COVERED TO PREVENT WATER INTRUSION AND SEAL. PROVIDE A PIPE ESCUTCHEON AT WALL.
WATER HEATER
A. ELECTRIC WATER HEATERS:
1. PROVIDE WATER HEATER, SIZE, LOCATION AND CAPACITY AND MANUFACTURER AS INDICATED ON DRAWINGS.
2. TANK TYPE ELECTRIC WATER HEATER WITH GLASS-LINED TANK RATED AT 150 PSI WORKING PRESSURE, MAGNESIUM ANODE PROTECTION, BRONZE DRAIN VALVE, HIGH TEMPERATURE CUT-OFF SWITCH AND IMMERSION THERMOSTAT. TANK TO HAVE A MINIMUM R-VALUE OF 10.
3. FURNISH AND INSTALL A WATTS NO. 40L 3/4" TEMPERATURE AND PRESSURE RELIEF VALVE AND EXTEND DISCHARGE PIPE, FULL SIZE, TO WITHIN 6" ABOVE MOP SINK OR FLOOR DRAIN.
4. PROVIDE POTABLE WATER EXPANSION TANK AS SPECIFIED. EQUAL PRODUCTS BY WATTS, AMTROL, OR BELL & GOSSETT MAY BE PROVIDED AT THE CONTRACTOR'S OPTION.
B. FUEL FIRED INSTANTANEOUS GAS HEATERS
1. PROVIDE HIGH EFFICIENCY GAS FIRED, INSTANTANEOUS WATER HEATERS. SIZE, LOCATION AND CAPACITY SHALL BE AS INDICATED ON THE DRAWINGS.

CONDENSATE PIPING SHALL BE PROVIDED AS FOLLOWS:

- 1. TYPE M COPPER TUBING UP TO 1" ID, TYPE DWV COPPER TUBING AND FITTINGS FOR 1-1/4" AND LARGER SIZES.
2. HEAT TRACE ALL CONDENSATE DRAIN LINES INSIDE COOLERS AND FREEZERS AT 5 WATTS/LINEAR FOOT (MINIMUM).

STORM AND OVERFLOW PIPING SHALL BE PROVIDED AS FOLLOWS:

- 1. PROVIDE ALL STORM DRAINS AND PIPING WITHIN THE PROJECT SPACE WITH CONNECTION TO EXISTING STORM DRAINAGE SYSTEMS ON-SITE.
2. STORM DRAINAGE PIPING ABOVE FLOOR SHALL BE ABS/PVC PLASTIC PIPE, WITH SOLVENT WELD FITTINGS, OR HUBLESS CAST-IRON PIPE AND FITTINGS AND CONNECTIONS. STORM DRAINAGE PIPING BELOW GRADE SHALL BE ABS/PVC PLASTIC PIPE WITH SOLVENT WELD FITTINGS, OR SERVICE-WEIGHT HUB AND SPIGOT TYPE CAST-IRON WITH NEOPRENE GASKET JOINT SYSTEM.
3. ALL STORM PIPING SHALL BE UNIFORMLY PITCHED AT 1/4" PER FOOT FOR PIPE SIZES 3" AND SMALLER, 1/8" PER FOOT FOR PIPE SIZES 4"-6", AND 1/16" PER FOOT FOR PIPE SIZES 8" OR LARGER UNLESS OTHERWISE REQUIRED BY EXISTING CONDITIONS, OR INDICATED ON DRAWINGS.

CONDENSATE PIPING SHALL BE PROVIDED AS FOLLOWS:

- 1. TYPE M COPPER TUBING UP TO 1" ID, TYPE DWV COPPER TUBING AND FITTINGS FOR 1-1/4" AND LARGER SIZES.
2. HEAT TRACE ALL CONDENSATE DRAIN LINES INSIDE COOLERS AND FREEZERS AT 5 WATTS/LINEAR FOOT (MINIMUM).

STORM AND OVERFLOW PIPING SHALL BE PROVIDED AS FOLLOWS:

- 1. PROVIDE ALL STORM DRAINS AND PIPING WITHIN THE PROJECT SPACE WITH CONNECTION TO EXISTING STORM DRAINAGE SYSTEMS ON-SITE.
2. STORM DRAINAGE PIPING ABOVE FLOOR SHALL BE ABS/PVC PLASTIC PIPE, WITH SOLVENT WELD FITTINGS, OR HUBLESS CAST-IRON PIPE AND FITTINGS AND CONNECTIONS. STORM DRAINAGE PIPING BELOW GRADE SHALL BE ABS/PVC PLASTIC PIPE WITH SOLVENT WELD FITTINGS, OR SERVICE-WEIGHT HUB AND SPIGOT TYPE CAST-IRON WITH NEOPRENE GASKET JOINT SYSTEM.
3. ALL STORM PIPING SHALL BE UNIFORMLY PITCHED AT 1/4" PER FOOT FOR PIPE SIZES 3" AND SMALLER, 1/8" PER FOOT FOR PIPE SIZES 4"-6", AND 1/16" PER FOOT FOR PIPE SIZES 8" OR LARGER UNLESS OTHERWISE REQUIRED BY EXISTING CONDITIONS, OR INDICATED ON DRAWINGS.

CONDENSATE PIPING SHALL BE PROVIDED AS FOLLOWS:

- 1. TYPE M COPPER TUBING UP TO 1" ID, TYPE DWV COPPER TUBING AND FITTINGS FOR 1-1/4" AND LARGER SIZES.
2. HEAT TRACE ALL CONDENSATE DRAIN LINES INSIDE COOLERS AND FREEZERS AT 5 WATTS/LINEAR FOOT (MINIMUM).

STORM AND OVERFLOW PIPING SHALL BE PROVIDED AS FOLLOWS:

- 1. PROVIDE ALL STORM DRAINS AND PIPING WITHIN THE PROJECT SPACE WITH CONNECTION TO EXISTING STORM DRAINAGE SYSTEMS ON-SITE.
2. STORM DRAINAGE PIPING ABOVE FLOOR SHALL BE ABS/PVC PLASTIC PIPE, WITH SOLVENT WELD FITTINGS, OR HUBLESS CAST-IRON PIPE AND FITTINGS AND CONNECTIONS. STORM DRAINAGE PIPING BELOW GRADE SHALL BE ABS/PVC PLASTIC PIPE WITH SOLVENT WELD FITTINGS, OR SERVICE-WEIGHT HUB AND SPIGOT TYPE CAST-IRON WITH NEOPRENE GASKET JOINT SYSTEM.
3. ALL STORM PIPING SHALL BE UNIFORMLY PITCHED AT 1/4" PER FOOT FOR PIPE SIZES 3" AND SMALLER, 1/8" PER FOOT FOR PIPE SIZES 4"-6", AND 1/16" PER FOOT FOR PIPE SIZES 8" OR LARGER UNLESS OTHERWISE REQUIRED BY EXISTING CONDITIONS, OR INDICATED ON DRAWINGS.

CONDENSATE PIPING SHALL BE PROVIDED AS FOLLOWS:

- 1. TYPE M COPPER TUBING UP TO 1" ID, TYPE DWV COPPER TUBING AND FITTINGS FOR 1-1/4" AND LARGER SIZES.
2. HEAT TRACE ALL CONDENSATE DRAIN LINES INSIDE COOLERS AND FREEZERS AT 5 WATTS/LINEAR FOOT (MINIMUM).

STORM AND OVERFLOW PIPING SHALL BE PROVIDED AS FOLLOWS:

- 1. PROVIDE ALL STORM DRAINS AND PIPING WITHIN THE PROJECT SPACE WITH CONNECTION TO EXISTING STORM DRAINAGE SYSTEMS ON-SITE.
2. STORM DRAINAGE PIPING ABOVE FLOOR SHALL BE ABS/PVC PLASTIC PIPE, WITH SOLVENT WELD FITTINGS, OR HUBLESS CAST-IRON PIPE AND FITTINGS AND CONNECTIONS. STORM DRAINAGE PIPING BELOW GRADE SHALL BE ABS/PVC PLASTIC PIPE WITH SOLVENT WELD FITTINGS, OR SERVICE-WEIGHT HUB AND SPIGOT TYPE CAST-IRON WITH NEOPRENE GASKET JOINT SYSTEM.
3. ALL STORM PIPING SHALL BE UNIFORMLY PITCHED AT 1/4" PER FOOT FOR PIPE SIZES 3" AND SMALLER, 1/8" PER FOOT FOR PIPE SIZES 4"-6", AND 1/16" PER FOOT FOR PIPE SIZES 8" OR LARGER UNLESS OTHERWISE REQUIRED BY EXISTING CONDITIONS, OR INDICATED ON DRAWINGS.

CONDENSATE PIPING SHALL BE PROVIDED AS FOLLOWS:

- 1. TYPE M COPPER TUBING UP TO 1" ID, TYPE DWV COPPER TUBING AND FITTINGS FOR 1-1/4" AND LARGER SIZES.
2. HEAT TRACE ALL CONDENSATE DRAIN LINES INSIDE COOLERS AND FREEZERS AT 5 WATTS/LINEAR FOOT (MINIMUM).

STORM AND OVERFLOW PIPING SHALL BE PROVIDED AS FOLLOWS:

- 1. PROVIDE ALL STORM DRAINS AND PIPING WITHIN THE PROJECT SPACE WITH CONNECTION TO EXISTING STORM DRAINAGE SYSTEMS ON-SITE.
2. STORM DRAINAGE PIPING ABOVE FLOOR SHALL BE ABS/PVC PLASTIC PIPE, WITH SOLVENT WELD FITTINGS, OR HUBLESS CAST-IRON PIPE AND FITTINGS AND CONNECTIONS. STORM DRAINAGE PIPING BELOW GRADE SHALL BE ABS/PVC PLASTIC PIPE WITH SOLVENT WELD FITTINGS, OR SERVICE-WEIGHT HUB AND SPIGOT TYPE CAST-IRON WITH NEOPRENE GASKET JOINT SYSTEM.
3. ALL STORM PIPING SHALL BE UNIFORMLY PITCHED AT 1/4" PER FOOT FOR PIPE SIZES 3" AND SMALLER, 1/8" PER FOOT FOR PIPE SIZES 4"-6", AND 1/16" PER FOOT FOR PIPE SIZES 8" OR LARGER UNLESS OTHERWISE REQUIRED BY EXISTING CONDITIONS, OR INDICATED ON DRAWINGS.

CONDENSATE PIPING SHALL BE PROVIDED AS FOLLOWS:

- 1. TYPE M COPPER TUBING UP TO 1" ID, TYPE DWV COPPER TUBING AND FITTINGS FOR 1-1/4" AND LARGER SIZES.
2. HEAT TRACE ALL CONDENSATE DRAIN LINES INSIDE COOLERS AND FREEZERS AT 5 WATTS/LINEAR FOOT (MINIMUM).

STORM AND OVERFLOW PIPING SHALL BE PROVIDED AS FOLLOWS:

- 1. PROVIDE ALL STORM DRAINS AND PIPING WITHIN THE PROJECT SPACE WITH CONNECTION TO EXISTING STORM DRAINAGE SYSTEMS ON-SITE.
2. STORM DRAINAGE PIPING ABOVE FLOOR SHALL BE ABS/PVC PLASTIC PIPE, WITH SOLVENT WELD FITTINGS, OR HUBLESS CAST-IRON PIPE AND FITTINGS AND CONNECTIONS. STORM DRAINAGE PIPING BELOW GRADE SHALL BE ABS/PVC PLASTIC PIPE WITH SOLVENT WELD FITTINGS, OR SERVICE-WEIGHT HUB AND SPIGOT TYPE CAST-IRON WITH NEOPRENE GASKET JOINT SYSTEM.
3. ALL STORM PIPING SHALL BE UNIFORMLY PITCHED AT 1/4" PER FOOT FOR PIPE SIZES 3" AND SMALLER, 1/8" PER FOOT FOR PIPE SIZES 4"-6", AND 1/16" PER FOOT FOR PIPE SIZES 8" OR LARGER UNLESS OTHERWISE REQUIRED BY EXISTING CONDITIONS, OR INDICATED ON DRAWINGS.

CONDENSATE PIPING SHALL BE PROVIDED AS FOLLOWS:

- 1. TYPE M COPPER TUBING UP TO 1" ID, TYPE DWV COPPER TUBING AND FITTINGS FOR 1-1/4" AND LARGER SIZES.
2. HEAT TRACE ALL CONDENSATE DRAIN LINES INSIDE COOLERS AND FREEZERS AT 5 WATTS/LINEAR FOOT (MINIMUM).

STORM AND OVERFLOW PIPING SHALL BE PROVIDED AS FOLLOWS:

- 1. PROVIDE ALL STORM DRAINS AND PIPING WITHIN THE PROJECT SPACE WITH CONNECTION TO EXISTING STORM DRAINAGE SYSTEMS ON-SITE.
2. STORM DRAINAGE PIPING ABOVE F

SECURITY INSTALLATION NOTES

- A. PROGRAMMING SEQUENCE SET-UP AT THE NCCC
- B. OUTDOOR CAMERAS (WHERE PRESENT):
 - B.A. OUTDOOR POLE MOUNT 15' ABOVE FINISHED PAVEMENT
 - B.B. GROUND ISOLATION TRANSFORMERS
 - B.C. SECURITY VENDOR TO RUN FLEX CONDUIT INSIDE LIGHT POLES. EC TO RUN CONDUIT FROM RESTAURANT TO BASE OF LIGHT POLE AND MOUNT JUNCTION BOX 15' ABOVE FINISHED PAVEMENT ON POLE. ORIENT VIEW TO DRIVE-UP AND SIDE DOOR.
 - B.D. CAMERA ORIENTATIONS:
 - A-1: VIEW BACK DOOR, MENU BOARD & REAR AREA
 - A-2: VIEW OF FRONT ENTRY DOOR
 - A-3: VIEW OF SIDE ENTRY DOOR
 - A-4: VIEW OF DRIVE-THRU MENU BOARD
 - A-5: VIEW OF DRIVE-THRU AREA
- C. INDOOR CAMERAS
 - C.A. INDOOR CEILING MOUNT IN TINTED DOME
 - C.B. FASTEN SCREW IN CEILING FOR DOMES SO NOT EASILY DROPPED OUT OF TILE
 - C.C. CAMERA ORIENTATIONS:
 - B-1 : VIEW OF SIDE CUSTOMER ENTRANCE, AND SALES COUNTER
 - B-2 : VIEW SALES COUNTER AND RESTROOM AREA
 - B-3 : VIEW SALES COUNTER & SAFE AREA
 - B-4 : VIEW FRONT CUSTOMER ENTRANCE AND RESTROOM AREA
 - B-5 : VIEW OF SAFE AND SALES AREA
 - B-6 : VIEW OF BACK ENTRANCE
 - B-7 : VIEW OF PREP AREA
 - B-8 : VIEW OF OFFICE AREA
 - B-9 : VIEW OF COOK LINE
 - B-10: VIEW OF KITCHEN
 - B-11: VIEW OF WALK-IN BOX AND STORAGE AREA
- D. OFFICE AREA
 - D.A. BAC- BURGLAR ALARM CONTROL-VISTA 20SEUL
 - D.B. D-VCR
 - D.C. E-VCR:
 - D.D. F-MONITOR:
- E. QUICK REFERENCE SHEETS
 - E.A. ALARM INSTRUCTION SHEET TO BE MOUNTED ON WALL IN EMPLOYEE ONLY AREA CLOSEST TO KEYPAD OR IN OFFICE AREA PER CUSTOMER INSTRUCTION
- F. FOR LOCATIONS WITH 6 OR MORE CAMERAS: ADD MULTIPLEXER
- G. LTC 2641/60-PLACE ON SECURITY LOCK FOR NO TAMPER
- H. FOR LOCATIONS WITH 4 CAMERAS OR LESS:

- I. ADD VIDQUAD 4 CHANNEL LTC 2272/60
- J. HOLD UP BUTTON 441494 SERIES LATCHING HUB
- K. MANAGER AREA-36" AFF OUT OF SITE FROM FRONT COUNTER
- L. DRIVE-THRU WINDOW-18" AFF & OUT OF SITE FROM OUTSIDE
- M. FRYER/PREP AREA
 - M.A. STROBE LIGHT-AS SL-401B-BLUE STROBE MOUNT BEHIND MENU BOARD.
 - M.A.A. STROBE LIGHT WILL FLASH CONTINUOUSLY WHILE BACK DOOR IS OPEN
 - M.B. SOUNDER-AS-PAL328N-LOW TONE SOUNDER MOUNT WITH STROBE BEHIND MENU BOARD.
 - M.B.A. SOUNDER WILL SOUND WHEN BACK DOOR IS OPENED.
 - M.B.B. MANAGER WILL SILENCE ST SOUNDER AT KEYPAD AFTER 1ST TONE
 - M.C. MOTION DETECTOR-AP 669 PIR-360 MOTION MOUNT IN STOVE AREA.
 - M.C.A. N.A.MOTION DETECTOR RADIUS TO INCLUDE DRIVE-UP WINDOW AREA AND GENERAL REAR AREA.
- N. LOBBY/PERIMETER AREA/BACK OF HOUSE
 - N.A. KEYPAD
 - N.A.A. MOUNT 40" AFF WALL ENTERING KITCHEN AREA FROM LOBBY
 - N.B. FG 1025 GLASS BREAK
 - N.B.A. GLASS BREAK FOR LOBBY GLAZING. PROVIDE ONE ON EACH SIDE OF BUILDING. COORDINATE EXACT DEVICE LOCATION AND INSTALLATION.
 - N.C. B4039 DOOR CONTACT
 - N.C.A. PROVIDE FOR ALL EXTERIOR DOORS. BACK DOOR CONTACT TO ACT AS ALARM POINT FOR REAR "OPEN DOOR" ALARM. SOUNDER AND BLUE STROBE TO ACTIVATE WHEN BACK DOOR IS OPEN.
 - N.D. 305OCT SERIES HOLD-UP PANIC BUTTON
 - N.D.A. LATCHING HUB IN COOLER/FREEZER. MOUNT 18" AFF ON HINGE SIDE OF DOOR SUB UP IN CONDUIT
 - N.E. POINT OF CONNECTION TO NKL SAFE
 - N.E.A. PIGTAIL PROVIDED BY NKL SAFE
- O. POPEYES ADD ON MODIFICATION NAMES AND PHONE NUMBERS
 - O.A. INSTALLER PLEASE CONTACT POPEYES CONSTRUCTION MANAGER FOR ANY ADD-ONS OR MODIFICATIONS TO YOUR JOB. THEY WILL CONTACT THE NATIONAL ACCOUNT MANAGER FOR APPROVALS/PAPERWORK.

POWER GENERAL NOTES

- A. VERIFY EXACT LOCATIONS OF HVAC AND PLUMBING EQUIPMENT, CONDUIT STUB-UPS AND POWER CONNECTIONS PRIOR TO ROUGH-IN.
- B. VERIFY EXACT LOCATION, MOUNTING HEIGHTS AND CONDUIT ROUTING FOR ALL THERMOSTATS, TEMPERATURE SENSORS, HUMIDISTS AND CO₂ SENSORS PRIOR TO ROUGH-IN.
- C. REFER TO MECHANICAL AND PLUMBING DRAWINGS FOR ADDITIONAL ELECTRICAL REQUIREMENTS. COORDINATE PROVISIONS FOR CONTROL CONDUIT AND WIRING AS REQUIRED FOR INTERLOCKING OF FANS, MOTORS, ETC. REFER TO SPECIFICATIONS FOR ADDITIONAL REQUIREMENTS.
- D. MOUNT DEVICES INSTALLED ON EQUIPMENT ON NON-REMOVABLE PANEL. COORDINATE LOCATION PRIOR TO COMMENCING ROUGH-IN WORK.
- E. REFER TO FOOD SERVICE DRAWINGS SHEET K1 FOR TAG LOCATIONS NOT SHOWN THIS SET.
- F. REFER TO EQUIPMENT SPECIFICATIONS FOR DATA AND POWER REQUIREMENTS AND LOCATIONS OF ALL MENU BOARDS AND SIGNS.
- G. VERIFY MOUNTING HEIGHTS OF ALL RECEPTACLES WITH EQUIPMENT SUPPLIED PRIOR TO INSTALLATION.
- H. ALL EQUIPMENT ELECTRICAL OUTLETS ARE DIMENSIONED TO CENTERLINE OF BOX FROM ABOVE FINISHED FLOOR.
- I. ELECTRICAL CONTRACTOR TO PROVIDE CORD & PLUG CONNECTIONS FOR EQUIPMENT AS REQUIRED.
- J. ALL 120V, 20A OUTLETS IN THE FOOD PREP AREA SHALL BE GROUND FAULT INTERRUPT TYPE.
- K. BEFORE PHONE IS INSTALLED THE FOLLOWING NEED TO BE IN PLACE - CONDUIT AND PULL STRING AND BACK BOARD (GROUNDED) ON FIRE RETARDANT WALL.
- L. KVS 3 ON BACK LINE NEEDS TO BE A POLE MOUNT.
- M. PROVIDE "UP" OUTLET AT ROOFTOP EQUIPMENT.
- N. ROUTE ALL CONDUIT ROOF PENETRATIONS OUTSIDE OF CURB. DO NOT PENETRATE BOTTOM OF RTU UNITS AND EXHAUST FAN CURBS.

LOW VOLTAGE GENERAL NOTES

- A. ALL P.O.S. (POINT OF SALE) CIRCUITS SHALL HAVE AN ISOLATED GROUND WIRE BACK TO THE PANEL. ALL P.O.S. EQUIPMENT SHALL BE WIRED INDEPENDENTLY OF ANY NON-P.O.S. EQUIPMENT.
- B. ALL RECEPTACLES FOR P.O.S. EQUIPMENT SHALL BE ISOLATED GROUND WITH SURGE SUPPRESSOR TYPE. ALL RECEPTACLES FOR P.O.S. EQUIPMENT SHALL BE SINGLE UNIT, UNLESS A DUPLEX RECEPTACLE CAN BE USED TO SUPPLY TWO P.O.S. UNITS. DUPLEX RECEPTACLES MAY BE USED IN THE MANAGER'S OFFICE FOR NON-P.O.S. EQUIPMENT (COMPUTER, MUSIC, FIRE ALARM, SECURITY, ETC.).
- C. ALL CIRCUITS FOR P.O.S EQUIPMENT SHALL BE CONNECTED TO THE SAME PHASE OF POWER IN THE PANEL. ALL BRANCH CIRCUIT BREAKERS SUPPLYING P.O.S. EQUIPMENT SHALL HAVE LOCKING HANDLE DEVICES.
- D. EACH RECEPTACLE TYPE (LOCKING OR STRAIGHT BLADE) SHALL MATCH THAT OF THE EQUIPMENT FURNISHED. WHERE P.O.S. EQUIPMENT IS FURNISHED WITHOUT A PLUG THE RECEPTACLE SHALL BE LOCKING TYPE. COORDINATE RECEPTACLE TYPES WITH THE P.O.S. EQUIPMENT SUPPLIER.

GENERAL ELECTRICAL NOTES

- A. INCLUDE ALLOWANCE FOR UNFORESEEN CONDITIONS THAT MAY AFFECT THE SCOPE OF WORK. MINOR DEVIATIONS REQUIRED FOR ACCOMPLISHING THE INTENT OF THIS DESIGN SHALL BE INCLUDED IN THE ALLOWANCE.
- B. SWITCHBOARDS, PANELBOARDS, DISCONNECT SWITCHES, TRANSFORMERS AND CONTACTORS SHALL BE "LISTED" AND "IDENTIFIED" AS RATED FOR MINIMUM OF 75°C CONDUCTOR TERMINATION.
- C. ELECTRICAL DESIGN IS BASED ON INSTALLATION OF 75°C CONDUCTORS CONNECTED TO TERMINAL LUGS AND EQUIPMENT U.L. LISTED FOR MINIMUM 75°C. CONDUCTORS TERMINATED ON EQUIPMENT WITH LOWER RATING (60°C) OR NO RATING SHOWN SHALL HAVE CONDUCTOR SIZE INCREASED TO CONFORM TO ADOPTED ELECTRICAL CODE AND UL/CUL NO. 489 REQUIREMENTS.
- D. CONDUIT INSTALLED INDOORS SHALL BE ELECTRICAL METALLIC TUBING (EMT), MINIMUM 1/2" OR AS NOTED.
- E. CONDUIT INSTALLED BELOW SLAB SHALL BE RIGID STEEL, INC, PVC OR HDPE, MINIMUM 3/4". IF PVC OR HDPE IS USED, TRANSITION TO RIGID STEEL BEFORE TURNING UP AND PENETRATING FLOOR SLAB.
- F. CONDUCTORS SHALL BE MINIMUM #12 THHN/THWN COPPER UNLESS NOTED OTHERWISE ON PLANS OR IN SPECIFICATIONS. BRANCH CIRCUITS SHALL BE PROVIDED WITH (2) #12 CONDUCTORS AND (1) #12 EQUIPMENT GROUND CONDUCTOR UNLESS NOTED OTHERWISE.
- G. BRANCH CIRCUITS SHOWN WITH TWO GROUNDING CONDUCTORS SHALL HAVE ONE EQUIPMENT GROUND CONDUCTOR (GREEN) AND ONE ISOLATED GROUND CONDUCTOR (GREEN W/YELLOW STRIP) INSTALLED IN RACEWAY.
- H. DIRECT CURRENT WIRING SHALL BE (2) #10 IN 1/2" CONDUIT UNLESS NOTED OTHERWISE.
- I. CONTROL VOLTAGE WIRING SHALL BE PLENUM RATED OR INSTALLED IN CONDUIT.
- J. THERMOSTATS, TEMPERATURE SENSORS, CARBON DIOXIDE SENSORS AND HUMIDISTS: UNLESS NOTED OTHERWISE, PROVIDE WALL BOX AT +3'-10" AFF WITH 1/2" CONDUIT STUBBED OUT TO ABOVE ACCESSIBLE CEILING WITH NYLON BUSHINGS AND PULLSTRING.
- K. PROVIDE FLEXIBLE CONNECTIONS ONLY FOR FINAL CONNECTION TO EQUIPMENT, 6"-0" MAXIMUM LENGTH. PROVIDE LIQUID TIGHT FLEXIBLE CONNECTION AT EXTERIOR LOCATIONS AND WHERE EXPOSURE TO MOISTURE IS POSSIBLE.
- L. ALL EMPTY CONDUITS SHALL BE PROVIDED WITH A PULL WIRE.
- M. ALL RACEWAYS SHALL CONTAIN A GROUNDING ELECTRODE SIZED PER THE ADOPTED ELECTRICAL CODE.
- N. COORDINATE WORK ABOVE THE CEILING WITH OTHER TRADES TO PROVIDE THE GREATEST POSSIBLE CLEARANCE. CONDUIT RUNS SHALL BE RUN THROUGH TRUSSES WHERE POSSIBLE.
- O. VERIFY EXACT PLACEMENT OF ALL DEVICES SHOWN ON CONSTRUCTION DOCUMENTS PRIOR TO FINAL PLACEMENT.
- P. ALL RECESSED PANELBOARDS SHALL BE INSTALLED WITH MINIMUM OF (3) 3/4" CONDUITS STUBBED UP TO ACCESSIBLE CEILING SPACE FOR FUTURE USE.
- Q. ALL PANELBOARDS, SWITCHBOARDS AND LINE VOLTAGE CONTROL EQUIPMENT SHALL BE FIELD MARKED TO WARN QUALIFIED PERSONS OF POTENTIAL ELECTRIC ARC FLASH HAZARDS. MARKING SHALL BE LOCATED SO AS TO BE CLEARLY VISIBLE TO QUALIFIED PERSONS BEFORE EXAMINATION, ADJUSTING, SERVICING OR MAINTENANCE OF EQUIPMENT. MARKING SHALL BE SELF ADHESIVE, COMMERCIAL LABEL CONFORMING TO ADOPTED CODES.
- R. LIGHT SWITCHES, ELECTRICAL OUTLETS, THERMOSTATS AND OTHER ENVIRONMENTAL CONTROLS SHALL HAVE OPERABLE PARTS OF THE CONTROLS LOCATED NO HIGHER THAN 48" AND NO LOWER THAN 15" ABOVE THE FLOOR. IF THE REACH IS OVER AN OBSTRUCTION BETWEEN 20" AND 25" IN DEPTH, THE MAXIMUM HEIGHT IS REDUCED TO 44" FOR FORWARD APPROACH OR 46" FOR SIDE APPROACH, PROVIDED THE OBSTRUCTION IS NO MORE THAN 24" IN DEPTH. OBSTRUCTIONS SHALL NOT EXTEND MORE THAN 25" FROM THE WALL BENEATH A CONTROL
- S. TERMS:
 - SHALL - ACTION THAT IS REQUIRED WITHOUT OPTION OR QUALIFICATION.
 - FURNISH - CONTRACTOR SHALL BE RESPONSIBLE FOR OBTAINING.
 - INSTALL - CONTRACTOR SHALL BE RESPONSIBLE FOR LABOR AND CONSTRUCTION EQUIPMENT NECESSARY TO SET IN PLACE, CONNECT, CALIBRATE AND/OR TEST EQUIPMENT FURNISHED BY HIM OR OTHERS.
 - PROVIDE - CONTRACTOR SHALL FURNISH AND INSTALL.

LIGHTING GENERAL NOTES

- A. CONNECT EXIT SIGNS, EMERGENCY AND NIGHT LIGHTS TO UNSWITCHED LIGHTING CIRCUIT, NOT CONTROLLED BY OCCUPANCY SENSORS, SWITCHES OR CONTACTORS.
- B. PROVIDE DEDICATED NEUTRAL WITH ALL DIMMING SYSTEM CIRCUITS. NO COMMON NEUTRALS SHALL BE ALLOWED.
- C. REFER TO "RECESSED LIGHTING FIXTURE SUPPORT DETAIL" FOR INFORMATION ON SUPPORT OF ALL RECESSED LIGHT FIXTURES.
- D. REFER TO ARCHITECTURAL REFLECTED CEILING PLAN AND DETAILS FOR LOCATION OF ALL LIGHTING FIXTURES AND ALL OTHER EQUIPMENT INSTALLED IN THE CEILING SYSTEM. VERIFY MOUNTING HEIGHTS AND FINISHES WITH ARCHITECT PRIOR TO ROUGH-IN.
- E. REFER TO POWER PLANS FOR LOCATIONS OF ELECTRICAL EQUIPMENT.
- F. PROVIDE (2) ADDITIONAL #12 CONDUCTORS FOR ALL 0-10V DIMMING CIRCUITS.

SECURITY SYSTEM GENERAL NOTES

- A. PROVIDE 120V CONNECTIONS TO THE FOLLOWING SYSTEMS:
 - A.A. CCTV HEAD END EQUIPMENT
 - A.B. BURGLAR ALARM PANEL & SYSTEM
 - A.C. SECURITY SYSTEM (INCLUDING SECURITY CAMERAS)
- B. PROVIDE EXTERIOR TRENCHING AND CONDUIT WITH PULL STRINGS AS REQUIRED FOR OUTDOOR SECURITY CAMERA INSTALLATIONS. PROVIDE BACK BOX MOUNTED ON NEARBY SITE POLE OR BUILDING SURFACE WITH PROVISIONS FOR POWER AND LOW VOLTAGE (COAXIAL) CONNECTIONS.
- C. SECURITY VENDOR TO FURNISH ALL SECURITY EQUIPMENT AND LOW VOLTAGE CABLING. COORDINATE EXACT SCOPE OF INSTALLATION IN FIELD.
- D. SECURITY VENDOR TO SET UP, TEST, AND TRAIN RESTAURANT MANAGEMENT/ PERSONNEL ON CCTV AND BURGLAR ALARM SYSTEMS.
- E. CONFIRM EXACT QUANTITIES AND LOCATIONS OF ALL DEVICES PRIOR TO SECURITY EQUIPMENT ROUGH-IN WITH SECURITY VENDOR AND POPEYES CONSTRUCTION MANAGER.

ELECTRICAL SYMBOLS LEGEND

	HOME RUN TO PANEL. CIRCUIT NUMBERS, PHASE, NEUTRAL AND GROUND CONDUCTORS INDICATED ALONG WITH ISOLATED GROUND CONDUCTOR IF APPLICABLE.
	PARTIAL CIRCUIT
	CONDUIT INSTALLED CONCEALED ABOVE CEILING OR IN WALL
	CONDUIT INSTALLED CONCEALED BELOW FLOOR SLAB OR UNDERGROUND
	CONDUIT INSTALLED WITH DIRECT CURRENT POWER WIRING
	CONDUIT TURNED UP OR DOWN AS NOTED
	SINGLE POLE SWITCH, +3'-10" OR AS NOTED
	THREE-WAY SWITCH, +3'-10" OR AS NOTED
	WEATHERPROOF TOGGLE SWITCH, +3'-10" OR AS NOTED
	KEYED SWITCH, +3'-10" OR AS NOTED
	WALL MOUNTED OCCUPANCY SENSOR, +3'-10" OR AS NOTED
	CEILING MOUNTED OCCUPANCY SENSOR
	WALL MOUNTED VACANCY SENSOR, +3'-10" OR AS NOTED
	CEILING MOUNTED VACANCY SENSOR
	CEILING MOUNTED INTERIOR DAYLIGHT HARVESTING PHOTOCCELL SENSOR
	POWER PACK, INSTALLED ABOVE ACCESSIBLE CEILING
	SIMPLEX RECEPTACLE, +18" OR AS NOTED
	ISOLATED GROUND SIMPLEX RECEPTACLE, +18" OR AS NOTED
	DUPLEX RECEPTACLE, +18" OR AS NOTED
	ISOLATED GROUND DUPLEX RECEPTACLE, +18" OR AS NOTED
	CONTROLLED DUPLEX RECEPTACLE, +18" OR AS NOTED
	QUADRUPLEX RECEPTACLE, +18" OR AS NOTED
	ISOLATED GROUND QUADRUPLEX RECEPTACLE, +18" OR AS NOTED
	QUADRUPLEX RECEPTACLE WITH ONE OUTLET CONTROLLED, +18" OR AS NOTED
	GROUND FAULT INTERRUPTING RECEPTACLE, +18" OR AS NOTED
	TAMPER RESISTANT RECEPTACLE, +18" OR AS NOTED
	WEATHERPROOF GROUND FAULT INTERRUPTING RECEPTACLE, +18" OR AS NOTED
	RECEPTACLE INSTALLED HORIZONTALLY, BOTTOM AT +6" ABOVE COUNTER TOP
	RECEPTACLE INSTALLED FLUSH IN CEILING
	RECESSED GROUND RECEPTACLE INSTALLED FLUSH IN CEILING
	SPECIAL RECEPTACLE, NEMA STYLE AS NOTED, +18" OR AS NOTED
	JUNCTION BOX
	DISCONNECT SWITCH, TOP AT +6'-0" OR AS NOTED
	DISCONNECT SWITCH PROVIDED WITH EQUIPMENT.
	COMBINATION MOTOR STARTER/DISCONNECT SWITCH FURNISHED BY MECHANICAL CONTRACTOR, INSTALLED BY ELECTRICAL CONTRACTOR
	MOTOR CONNECTION
	LIGHTING CONTACTOR, INSTALLED AS NOTED
	TIME CLOCK, +6'-2" OR AS NOTED
	CONTROL OR POWER RELAY, INSTALLED AS NOTED
	PUSHBUTTON, TOP AT +4'-6" OR AS NOTED
	DOOR BELL CHIME, +8'-0" OR AS NOTED
	CONTROL TRANSFORMER, INSTALLED AS NOTED
	THERMOSTAT, TEMPERATURE SENSOR, CARBON DIOXIDE SENSOR AND HUMIDISTAT PROVIDED BY MECHANICAL CONTRACTOR, +3'-10" OR AS NOTED
	ELECTRICALLY OPERATED DAMPER, PROVIDED BY MECHANICAL CONTRACTOR
	DATA OUTLET, +18" WITH 3/4" CONDUIT TO ABOVE CEILING
	DATA OUTLET, +6" ABOVE COUNTER WITH 3/4" CONDUIT TO ABOVE CEILING
	TELEPHONE/DATA OUTLET, +18" WITH 1" CONDUIT TO ABOVE CEILING
	TELEPHONE/DATA OUTLET, +6" ABOVE COUNTER WITH 1" CONDUIT TO ABOVE CEILING
	FIRE ALARM CONTROL PANEL, FLUSH MOUNTED, TOP AT +6'-0"
	FIRE ALARM HORN AND 75cd STROBE, +80" TO BOTTOM OF DEVICE PER ADA
	STROBE ONLY (75cd UNO), +80" TO BOTTOM OF DEVICE PER ADA
	FIRE ALARM HORN AND 115cd STROBE, CEILING MOUNTED
	STROBE ONLY (115cd UNO), CEILING MOUNTED
	AREA TYPE PHOTOELECTRIC SMOKE DETECTOR, CEILING MOUNTED, OR AS NOTED
	DUCT TYPE PHOTOELECTRIC SMOKE DETECTOR WITH SAMPLING TUBES AND REMOTE INDICATOR LIGHT MOUNTED FLUSH IN CEILING BELOW DETECTOR
	FIRE ALARM SYSTEM RELAY
	SPRINKLER FLOW SWITCH, PROVIDED BY PLUMBING CONTRACTOR
	SPRINKLER TAMPER SWITCH, PROVIDED BY PLUMBING CONTRACTOR
	FIRE SPRINKLER SYSTEM BELL (GONG), +10'-0" AFG
	COMBINATION FIRE/SMOKE DAMPER PROVIDED BY MECHANICAL CONTRACTOR
	ABOVE FINISHED FLOOR/GRADE
	AHJ
	BAS
	EC
	FA
	GC
	MC
	NL
	NF
	PC
	TYP
	WP

SYMBOLS LEGEND NOTES:
MOUNTING HEIGHTS INDICATED ARE MEASURED FROM FINISHED FLOOR TO THE CENTERLINE OF THE DEVICE UNLESS NOTED OTHERWISE.

ISSUE TABLE		
No.	Date (mm/dd/yyyy)	Description

REVISIONS		
No.	Date	Description
1	8/01/2023	RESPONSE TO CITY
2	9/04/2023	HEALTH COMMENTS
3	9/12/2023	RESPONSE TO CITY

DRAWINGS REVISED AS PER DESIGN BULLETIN		
No.	Date	Description

PROJECT NORTH

THIS DRAWING IS OWNED BY OR LICENSED FOR USE BY POPEYES LOUISIANA KITCHEN (OR ITS AFFILIATED OR RELATED COMPANIES) AND MAY NOT BE REPRODUCED, USED, DOWNLOADED, DISSEMINATED, PUBLISHED OR TRANSFERRED IN ANY FORM OR BY ANY MEANS, EXCEPT WITH THE PRIOR WRITTEN CONSENT OF POPEYES LOUISIANA KITCHEN. COPYRIGHT INFRINGEMENT IS A VIOLATION OF FEDERAL LAW SUBJECT TO CRIMINAL AND CIVIL PENALTIES.

THE CONTRACTOR IS TO VERIFY ALL DIMENSIONS AND CONDITIONS ON THE PROJECT AND TO REPORT ANY DISCREPANCIES TO THE POPEYES LOUISIANA KITCHEN REPRESENTATIVE PRIOR TO COMMENCING WORK. THESE DRAWINGS ARE NOT TO BE USED FOR CONSTRUCTION PURPOSES UNLESS INDICATED BY POPEYES LOUISIANA KITCHEN AS "ISSUED FOR CONSTRUCTION".

PROFESSIONAL SEAL
41082
ENGINEER
ARCHITECT
STATE OF NORTH CAROLINA

9.13.2023

Company Logo

ARCHITECTURE-CIVIL ENGINEERING-MEP ENGINEERING
10756 SANDHILL ROAD, DALLAS, TEXAS 75228
TEL: 214-343-9400 www.dimensionsgroup.com

Project

Store Type

**US 2112 PROTOTYPE
2112-21**

Location

**1517 NC 24-87
CAMERON, NC**

Drawing Title

**ELECTRICAL GENERAL
NTOES AND LEGEND**

Drawn	Checked
JP	AH
Scale	Date
NOT TO SCALE	JUNE 2023
Project No.	Drawing No.
C22-129	E1.0

SECURITY INSTALLATION ACCEPTANCE FORM/ CHECKLIST

FOR INSTALL SITE MODIFICATIONS (SUCH AS DEVICE PLACEMENT CHANGES FROM DRAWINGS), CUSTOMER MUST INITIAL BELOW TO SHOW APPROVAL OF SITE MODIFICATION.

CAMERAS

A-CAMERA : FOR LOCATIONS WITH OUTDOOR CAMERAS

OUTDOOR POLE MOUNT 15' ABOVE FINISHED PAVEMENT

YES_____N/A_____MODIFY PER SITE_____

GROUND ISOLATION TRANSFORMERS

YES_____N/A_____MODIFY PER SITE_____

ADT TO RUN CONDUIT INSIDE LIGHT POLES-EC TO RUN CONDUIT FROM RESTAURANT TO BASE OF LIGHT POLE & MOUNT JUNCTION BOX 15' ABOVE FINISHED PAVEMENT ON POLE

YES_____N/A_____MODIFY PER SITE_____

A-1: VIEW DRIVE-UP AND SIDE DOOR

YES_____N/A_____MODIFY PER SITE_____

A-2: VIEW BACK DOOR, MENU BOARD & REAR AREA

YES_____N/A_____MODIFY PER SITE_____

A-3: VIEW SIDE DOOR AREA OPPOSITE SIDE OF BUILDING FROM DRIVE-THRU

YES_____N/A_____MODIFY PER SITE_____

B-CAMERA: FOR LOCATIONS WITH INDOOR CAMERAS INDOOR CEILING MOUNT IN TINTED DOME

YES_____N/A_____MODIFY PER SITE_____

FASTEN SCREW IN CEILING FOR DOMES SO NOT EASILY DROPPED OUT OF TILE

YES_____N/A_____MODIFY PER SITE_____

B-1: VIEW FRONT DOORS, RESTROOM AREA & SALES COUNTER

YES_____N/A_____MODIFY PER SITE_____

B-2: VIEW DRIVE-THRU REGISTER & WINDOW AREA

YES_____N/A_____MODIFY PER SITE_____

B-3: VIEW SALES COUNTER & SAFE AREA

YES_____N/A_____MODIFY PER SITE_____

B-4: VIEW BACK DOOR & COOLER/FREEZER AREA

YES_____N/A_____MODIFY PER SITE_____

B-5: 360 VIEW

YES_____N/A_____MODIFY PER SITE_____

OFFICE AREA

D-VCR LOCK BOX: TC3922 SERIES

YES_____N/A_____MODIFY PER SITE_____

E-VCR: LTC 3924 SERIES PLACE ON SECURITY LOCK FOR NO TAMPER

YES_____N/A_____MODIFY PER SITE_____

QUICK REFERENCE SHEETS

ALARM INSTRUCTION SHEET TO BE MOUNTED ON WALL IN EMPLOYEE ONLY AREA CLOSEST TO KEYPAD OR IN OFFICE AREA PER CUSTOMER INSTRUCTION

YES_____N/A_____MODIFY PER SITE_____

VCR INSTRUCTION SHEET(2) 1-REVIEW & 1-RECORD-TO BE MOUNTED ON WALL CLOSEST TO VCR

YES_____N/A_____MODIFY PER SITE_____

FOR LOCATIONS WITH 6 OR MORE CAMERAS: ADD MULTIPLEXER

LTC 2641/60-PLACE ON SECURITY LOCK FOR NO TAMPER

YES_____N/A_____MODIFY PER SITE_____

FOR LOCATIONS WITH 4 CAMERAS OR LESS:

ADD VIDQUAD 4 CHANNEL LTC 2272/60

YES_____N/A_____MODIFY PER SITE_____

HUB: HOLD UP BUTTON 441494 SERIES LATCHING HUB

MANAGER AREA-36" AFF OUT OF SITE FROM FRONT COUNTER

YES_____N/A_____MODIFY PER SITE_____

DRIVE-THRU WINDOW-18" AFF & OUT OF SITE FROM OUTSIDE

YES_____N/A_____MODIFY PER SITE_____

LOBBY/PERIMETER AREA/BACK OF HOUSE

KP: KEYPAD-MOUNT 40" AFF WALL ENTERING KITCHEN AREA FROM LOBBY

YES_____N/A_____MODIFY PER SITE_____

GB: FG 1025 GLASS BREAK- LOBBY GLASS ONE EACH SIDE OF BUILDING SEE DRAWING FOR DEVICE PLACEMENT

YES_____N/A_____MODIFY PER SITE_____

C: B4039 CONTACT-ALL EXTERIOR DOORS

YES_____N/A_____MODIFY PER SITE_____

BACK DOOR CONTACT TO ACT AS ALARM POINT FOR BACK DOOR ALARM-24 HOUR LOCATION POINT-SOUNDER & BLUE STROBE TO ACTIVATE WHEN BACK DOOR IS OPEN

YES_____N/A_____MODIFY PER SITE_____

POC: POINT OF CONNECTION TO NKL SAFE-PIGTAIL PROVIDED BY NKL SAFE

YES_____N/A_____MODIFY PER SITE_____

FRYER/PREP AREA

SL: STROBE LIGHT-AS SL-401B-BLUE STROBE MOUNT BEHIND MENU BOARD, IT WILL FLASH CONTINUOUSLY WHILE BACK DOOR IS OPEN

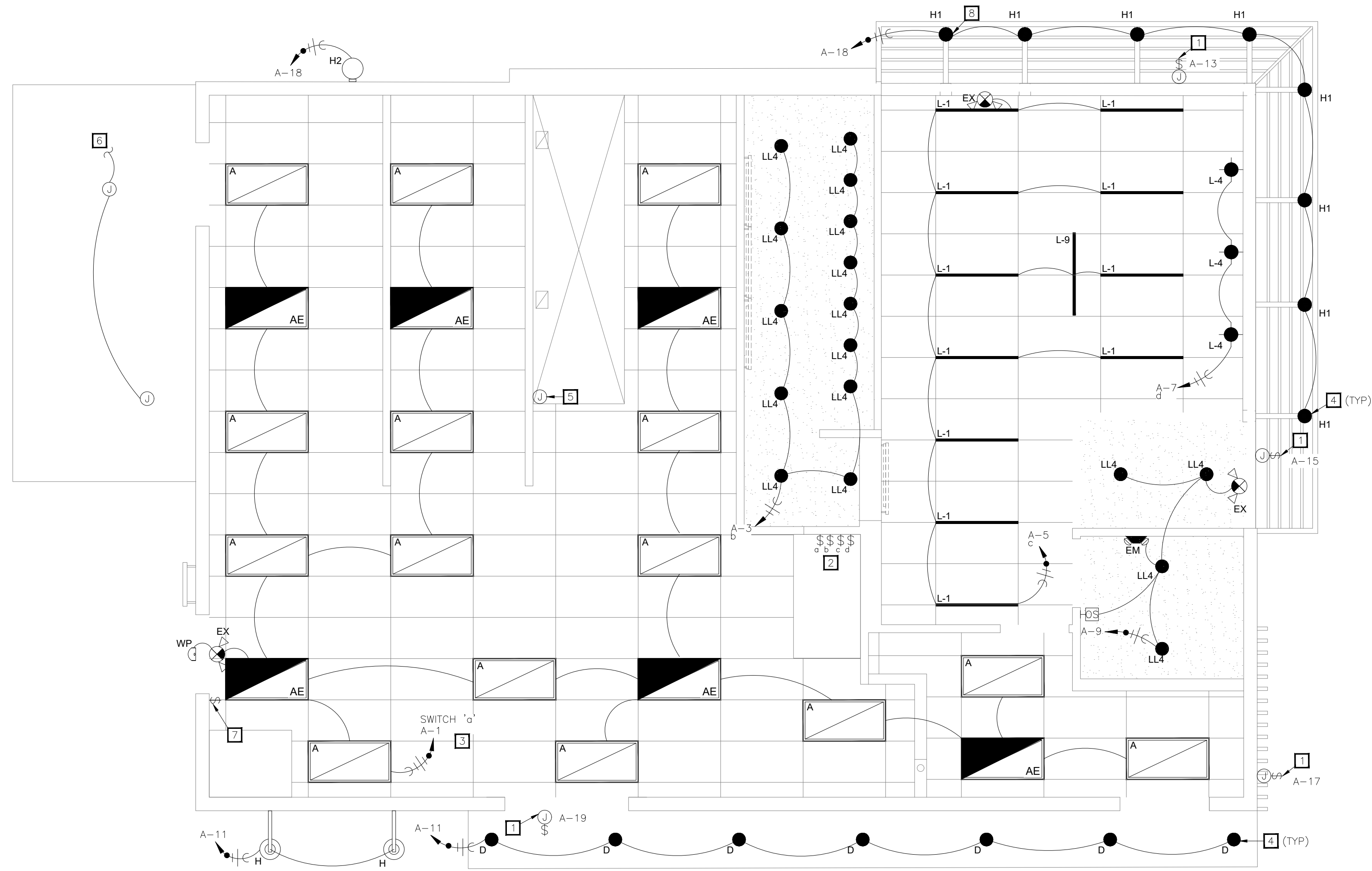
YES_____N/A_____MODIFY PER SITE_____

S: SOUNDER-AS-PAL328N-LOW TONE SOUNDER MOUNT WITH STROBE BEHIND MENU BOARD, IT WILL SOUND WHEN BACK DOOR IS OPENED, MANAGER WILL TONE SILENCE SOUNDER AT KEYPAD AFTER 1

YES_____N/A_____MODIFY PER SITE_____

MD: MOTION DETECTOR-AP 669 PIR - 360 MOTION MOUNT IN STOVE AREA TO GET ARE FROM DRIVE-UP WINDOW AND GENERAL REAR AREA

YES_____N/A_____MODIFY PER SITE_____



01 LIGHTING PLAN
1/4" = 1'-0"

- ### ELECTRICAL KEYNOTES
- 1 PROVIDE WEATHERPROOF JUNCTION BOX AND TOGGLE TYPE 20A-1P DISCONNECT SWITCH IN AN ACCESSIBLE LOCATION FOR SIGNAGE. COORDINATE EXACT REQUIREMENTS WITH SIGN CONTRACTOR. VERIFY LOCATION PRIOR TO ROUGH-IN. CONNECTED TO TIMECLOCK.
 - 2 LOCATION OF LIGHTING SWITCH BANK. REFER TO SWITCH BANK ELEVATION ON SHEET E3.1 FOR ADDITIONAL INFORMATION.
 - 3 RECIRCULATION PUMP WILL BE POWERED FROM KITCHEN LIGHTING CIRCUIT.
 - 4 VERIFY ELECTRICAL CONNECTION REQUIREMENTS FOR CANOPY LIGHTING WITH CANOPY SUPPLIER AND EXTERIOR LIGHTING SPECIFICATIONS.
 - 5 JUNCTION BOX ON HOOD FOR CONNECTION TO PRE-WIRED HOOD LIGHTS. CONNECT TO KITCHEN LIGHTING CIRCUIT.
 - 6 PROVIDE POWER TO WALK-IN-COOLER/FREEZER LIGHTING.
 - 7 TIME CLOCK OVERRIDE SWITCH.
 - 8 FIXTURES IN ENTRANCE CANOPY TO BE WIRED THROUGH WOOD SUPPORT HOLDING PENDANT LIGHT. EACH FIXTURE TO HAVE JUNCTION BOX ON INTERIOR OF WALL.

NOTES TO ARCHITECT:
 • FIXTURES IN THE KITCHEN HAVE REDUCED LUMEN OUTPUT/WATTAGE TO MEET COMCHECK.

ISSUE TABLE

No.	Date (mm/dd/yyyy)	Description

REVISIONS

No.	Date	Description
1	8/01/2023	RESPONSE TO CITY
2	9/04/2023	HEALTH COMMENTS
3	9/12/2023	RESPONSE TO CITY

DRAWINGS REVISED AS PER DESIGN BULLETIN

No.	Date	Description



THIS DRAWING IS OWNED BY OR LICENSED FOR USE BY POPEYES LOUISIANA KITCHEN (OR ITS AFFILIATED OR RELATED COMPANIES) AND MAY NOT BE REPRODUCED, USED, DOWNLOADED, DISSEMINATED, PUBLISHED OR TRANSFERRED IN ANY FORM OR BY ANY MEANS, EXCEPT WITH THE PRIOR WRITTEN CONSENT OF POPEYES LOUISIANA KITCHEN. COPYRIGHT INFRINGEMENT IS A VIOLATION OF FEDERAL LAW SUBJECT TO CRIMINAL AND CIVIL PENALTIES.

THE CONTRACTOR IS TO VERIFY ALL DIMENSIONS AND CONDITIONS ON THE PROJECT AND TO REPORT ANY DISCREPANCIES TO THE POPEYES LOUISIANA KITCHEN REPRESENTATIVE PRIOR TO COMMENCING WORK. THESE DRAWINGS ARE NOT TO BE USED FOR CONSTRUCTION PURPOSES UNLESS INDICATED BY POPEYES LOUISIANA KITCHEN AS "ISSUED FOR CONSTRUCTION".



9.13.2023

Company Logo

Project

POPEYES

Store Type
US 2112 PROTOTYPE
2112-21

Location
**1517 NC 24-87
CAMERON, NC**

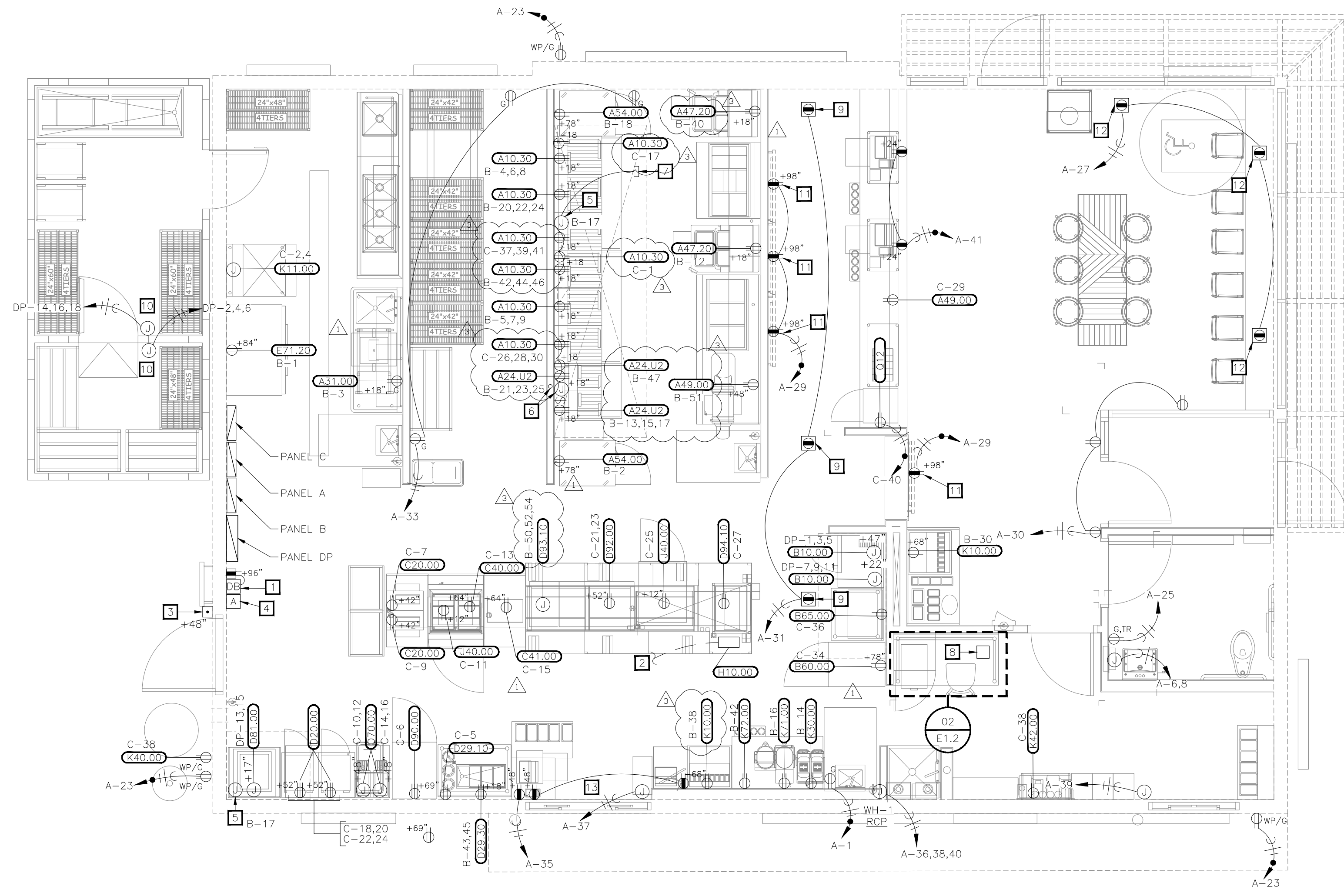
Drawing Title
**ELECTRICAL LIGHTING
PLAN**

Drawn JP	Checked AH
Scale 1/4" = 1'-0"	Date JUNE 2023
Project No. C22-129	Drawing No. E1.1

LIGHTING FIXTURE SCHEDULE

TYPE	DESCRIPTION	MANUFACTURER & CATALOG NUMBER	LAMPS & BALLAST	MOUNTING	VOLTS	WATTS	REMARKS
A	2X4 LED TROFFER	BOH LIGHTING: 24-FPL1-LED-4000L-DIM10-MVOLT-35-85	3500K LED	SURFACE	120	52	
AE	2X4 LED TROFFER W/ BATTERY BACKUP	BOH LIGHTING: 24-FPL1-LED-4000L-DIM10-MVOLT-35-85-0-EMG-LED-20W	3500K LED	SURFACE	120	52	
L-1	LED SUSPENDED LIGHT	COMMERCIAL LIGHTING: BAS-SPWDL48-0MK-SFCC-LED-18W-35K-010V	3500K LED	SURFACE	120	18	
L-4	LED ACCENT LIGHT	NOLA MAKERS: BAS-PPC-10-RALS018-0B6ST-48LST	3500K LED	PENDANT	120	12	
LL4	6" RECESSED DOWNLIGHT	HERMITAGE: LD6IC-AT-DIMTR-120	3500K LED	RECESSED	120	11.5	
LL4	6" RECESSED DOWNLIGHT	COMMERCIAL LIGHTING: LD6IC-AT-DIMTR-120	3500K LED	RECESSED	120	11.5	ALTERNATE VENDOR
L-9	LED SUSPENDED LIGHT	TBD	TBD	SURFACE	120	TBD	
EX	LED EMERGENCY LIGHT	EXITRONICS: VLED-U-WH-EL90R	N/A	WALL	120	5	
EM	LED EMERGENCY LIGHT	EXITRONICS: LED-90	N/A	WALL	120	5	
WP	WALL PACK W/ PHOTOCELL	WESTGATE: WES-LESW20W50KP	LED EM LIGHT	WALL	120	20	
D	RECESSED DOWNLIGHT	COMMERCIAL LIGHTING: DAL-RGR4-CC-BK	5000K LED	RECESSED	120	14	
H	LED GOOSENECKS	HERMITAGE: 93102318	3000K LED	WALL MOUNT	120	38	
H1	LED OUTDOOR SCONCE	COMMERCIAL LIGHTING: OUTDOOR SCONCE 1	LED	PENDANT	120	100	
P1	LED POLE LIGHT	HUBBELL LIGHTING: RAR2-320L-165-5K7-4W-UNV-ASQ-DBS	5000K LED	POLE MOUNT	UNV	165	

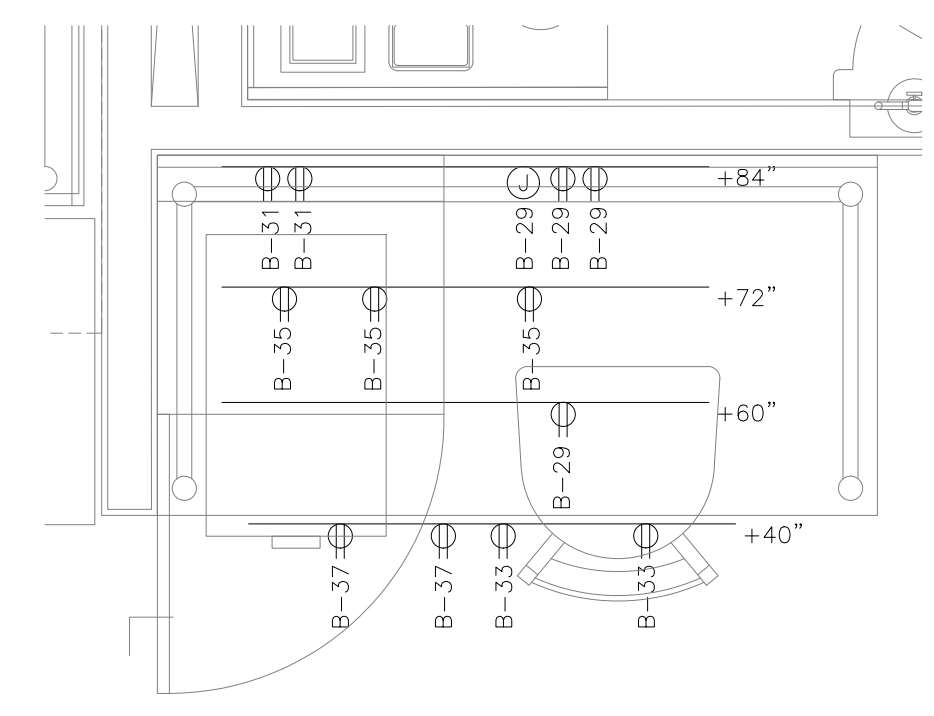
POPEYES LOUISIANA KITCHEN MODEL 2112, 1517 NC 24-87, CAMERON, NC (JUNE 01, 2023) STORE NO. C22-129



01 POWER PLAN
1/4"=1'-0"

ELECTRICAL KEYNOTES

- 1 PROVIDE DOUBLE DUPLEX RECEPTACLE ADJACENT TO TELEPHONE BOARD. PROVIDE #6 CU GROUND TO SERVICE ENTRANCE GROUND. SEE ARCHITECTURAL ELEVATIONS.
- 2 ALL POWER FOR ISLAND KITCHEN EQUIPMENT TO RUN THROUGH LOAD CENTER H10.00. CONDUIT TO RUN UNDER SLAB AND STUB AT H10.00.
- 3 SERVICE SIGN AND PUSHBUTTON FOR DOORBELL.
- 4 E.C. TO WIRE AND CONNECT REMOTE ANSUL PULLSTATION.
- 5 E.C. TO INSTALL AND WIRE RELAY CONTROL PANEL PACKAGE FOR HOOD EXHAUST FANS HEF-1 AND HEF-2. PROVIDE POWER AND INTERLOCK CONTROL WIRING FOR HP1-F CONTROL PANEL AND HOOD FIRE SUPPRESSION SYSTEM. SEE EXHAUST HOOD WIRING DETAIL SHEET E3.2.
- 6 HOOD ANSUL FIRE SUPPRESSION SYSTEM. PROVIDE 3/4" CONDUIT STUBBED ABOVE CEILING.
- 7 "ON/OFF" SELECTOR SWITCH AND PILOT LIGHT IN NEMA 4X STAINLESS STEEL ENCLOSURE MOUNTED ON THE FACE OF THE HOOD. PROVIDED BY HOOD MANUFACTURER.
- 8 OFFICE EXHAUST FAN SHALL BE CONNECTED TO OPERATE WITH AREA LIGHTING. INTERLOCK EXHAUST FAN WITH LIGHTS.
- 9 PROVIDE CEILING OUTLET WITH ISOLATED GROUND RECEPTACLES SUPPORTED FROM BUILDING STRUCTURE FOR VIDEO MONITOR, PRINTER, AND/OR HEADSET. VERIFY EXACT REQUIREMENTS AND LOCATION.
- 10 POWER CONNECTION TO WALK-IN FREEZER, EVAP, DEFROSTER, HEAT TAPE, AND DOOR HEATER.
- 11 POWER FOR MENUBOARDS. REFER TO "MONITOR BRACKET DETAIL" ON SHEET E3.1 FOR MORE INFORMATION.
- 12 CEILING MOUNTED SHOW WINDOW RECEPTACLE.
- 13 SEE DETAIL 07, E3.1 FOR DRIVE-THRU AUDIO AND TIMERS DIAGRAM.



02 MANAGER'S DESK POWER PLAN
3/4"=1'-0"

ISSUE TABLE

No.	Date (mm/dd/yy)	Description

REVISIONS

No.	Date	Description
1	8/01/2023	RESPONSE TO CITY
2	9/04/2023	HEALTH COMMENTS
3	9/12/2023	RESPONSE TO CITY

DRAWINGS REVISED AS PER DESIGN BULLETIN

No.	Date	Description



PROJECT NORTH

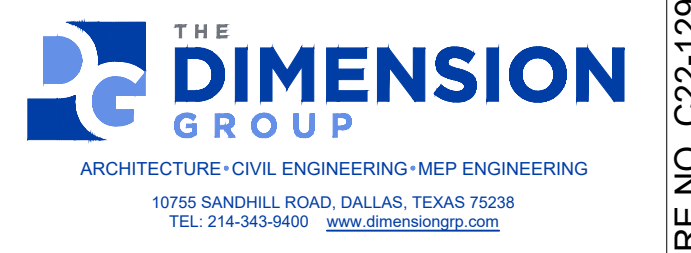
THIS DRAWING IS OWNED BY OR LICENSED FOR USE BY POPEYES LOUISIANA KITCHEN (OR ITS AFFILIATED OR RELATED COMPANIES) AND MAY NOT BE REPRODUCED, USED, DOWNLOADED, DISSEMINATED, PUBLISHED OR TRANSFERRED IN ANY FORM OR BY ANY MEANS, EXCEPT WITH THE PRIOR WRITTEN CONSENT OF POPEYES LOUISIANA KITCHEN. COPYRIGHT INFRINGEMENT IS A VIOLATION OF FEDERAL LAW SUBJECT TO CRIMINAL AND CIVIL PENALTIES.

THE CONTRACTOR IS TO VERIFY ALL DIMENSIONS AND CONDITIONS ON THE PROJECT AND TO REPORT ANY DISCREPANCIES TO THE POPEYES LOUISIANA KITCHEN REPRESENTATIVE PRIOR TO COMMENCING WORK. THESE DRAWINGS ARE NOT TO BE USED FOR CONSTRUCTION PURPOSES UNLESS INDICATED BY POPEYES LOUISIANA KITCHEN AS "ISSUED FOR CONSTRUCTION".



9.13.2023

Company Logo



Project



Store Type

US 2112 PROTOTYPE
2112-21

Location

1517 NC 24-87
CAMERON, NC

Drawing Title

ELECTRICAL POWER PLAN

Drawn	Checked
JP	AH
Scale	Date
AS SHOWN	JUNE 2023
Project No.	Drawing No.
C22-129	E1.2

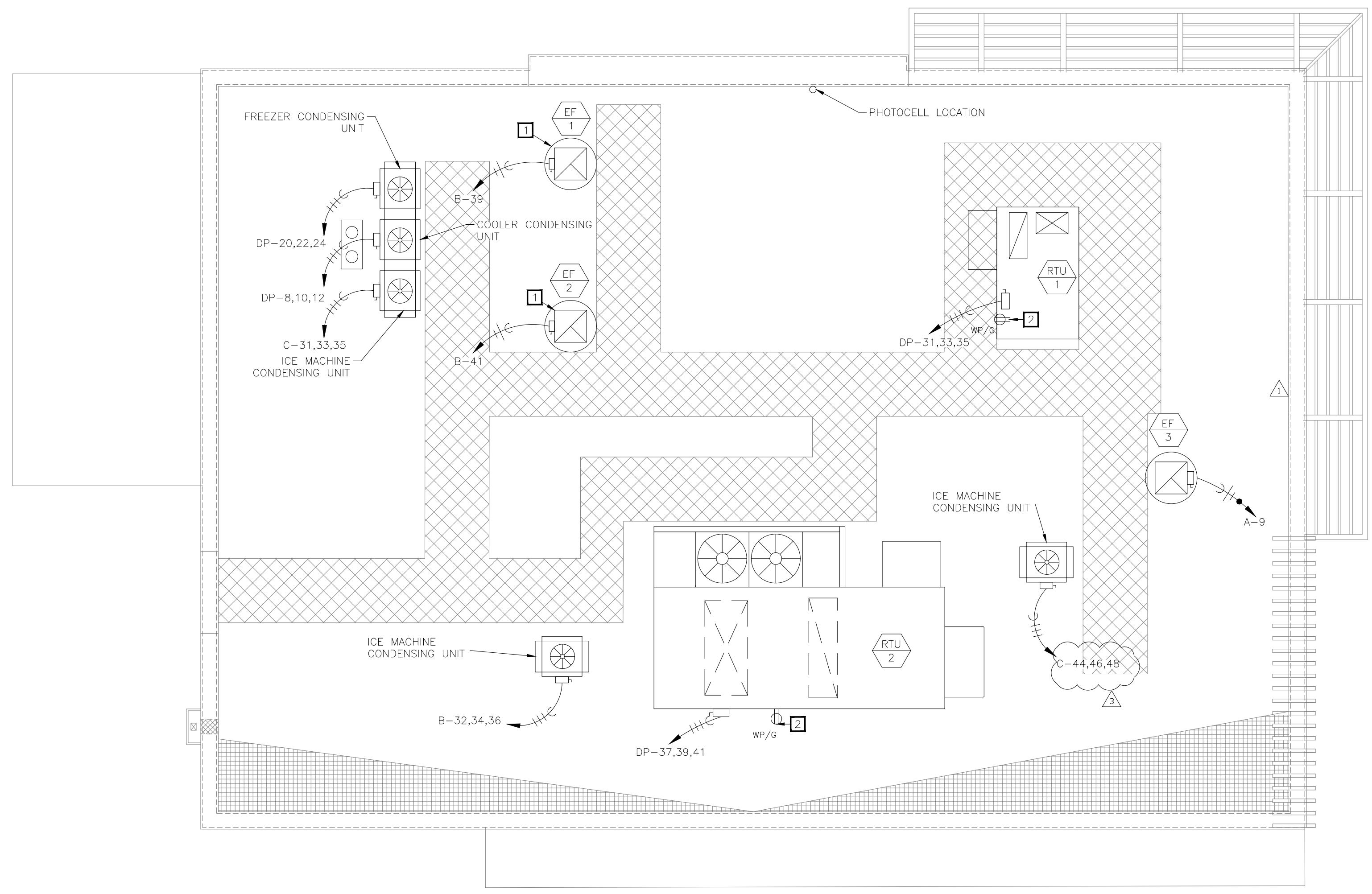
POPEYES LOUISIANA KITCHEN MODEL 2112, 1517 NC 24-87, CAMERON, NC (JUNE 01, 2023) STORE NO. C22-129

ELECTRICAL KEYNOTES	
1	PROVIDE CONNECTION TO ASSOCIATED SWITCH ON HOOD. COORDINATE ALL REQUIREMENTS WITH MECHANICAL DRAWINGS AND HOOD WIRING DIAGRAM PRIOR TO ROUGH-IN.
2	UNIT IS PROVIDED WITH UNIT MOUNTED UNIT POWERED CONVENIENCE RECEPTACLE.

ISSUE TABLE		
No.	Date (mm/dd/yyyy)	Description

REVISIONS		
No.	Date	Description
1	8/01/2023	RESPONSE TO CITY
2	9/04/2023	HEALTH COMMENTS
3	9/12/2023	RESPONSE TO CITY

DRAWINGS REVISED AS PER DESIGN BULLETIN		
No.	Date	Description

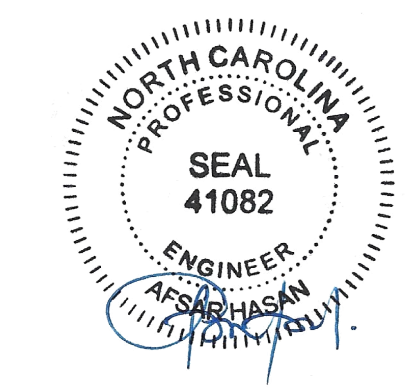


01 ROOF POWER PLAN
1/4" = 1'-0"



THIS DRAWING IS OWNED BY OR LICENSED FOR USE BY POPEYES LOUISIANA KITCHEN (OR ITS AFFILIATED OR RELATED COMPANIES) AND MAY NOT BE REPRODUCED, USED, DOWNLOADED, DISSEMINATED, PUBLISHED OR TRANSFERRED IN ANY FORM OR BY ANY MEANS, EXCEPT WITH THE PRIOR WRITTEN CONSENT OF POPEYES LOUISIANA KITCHEN. COPYRIGHT INFRINGEMENT IS A VIOLATION OF FEDERAL LAW SUBJECT TO CRIMINAL AND CIVIL PENALTIES.

THE CONTRACTOR IS TO VERIFY ALL DIMENSIONS AND CONDITIONS ON THE PROJECT AND TO REPORT ANY DISCREPANCIES TO THE POPEYES LOUISIANA KITCHEN REPRESENTATIVE PRIOR TO COMMENCING WORK. THESE DRAWINGS ARE NOT TO BE USED FOR CONSTRUCTION PURPOSES UNLESS INDICATED BY POPEYES LOUISIANA KITCHEN AS "ISSUED FOR CONSTRUCTION".



9.13.2023

Company Logo

ARCHITECTURE • CIVIL ENGINEERING • MEP ENGINEERING
10755 SANDHILL ROAD, DALLAS, TEXAS 75238
TEL: 214-343-9400 www.dimensiongrp.com

Project

POPEYES

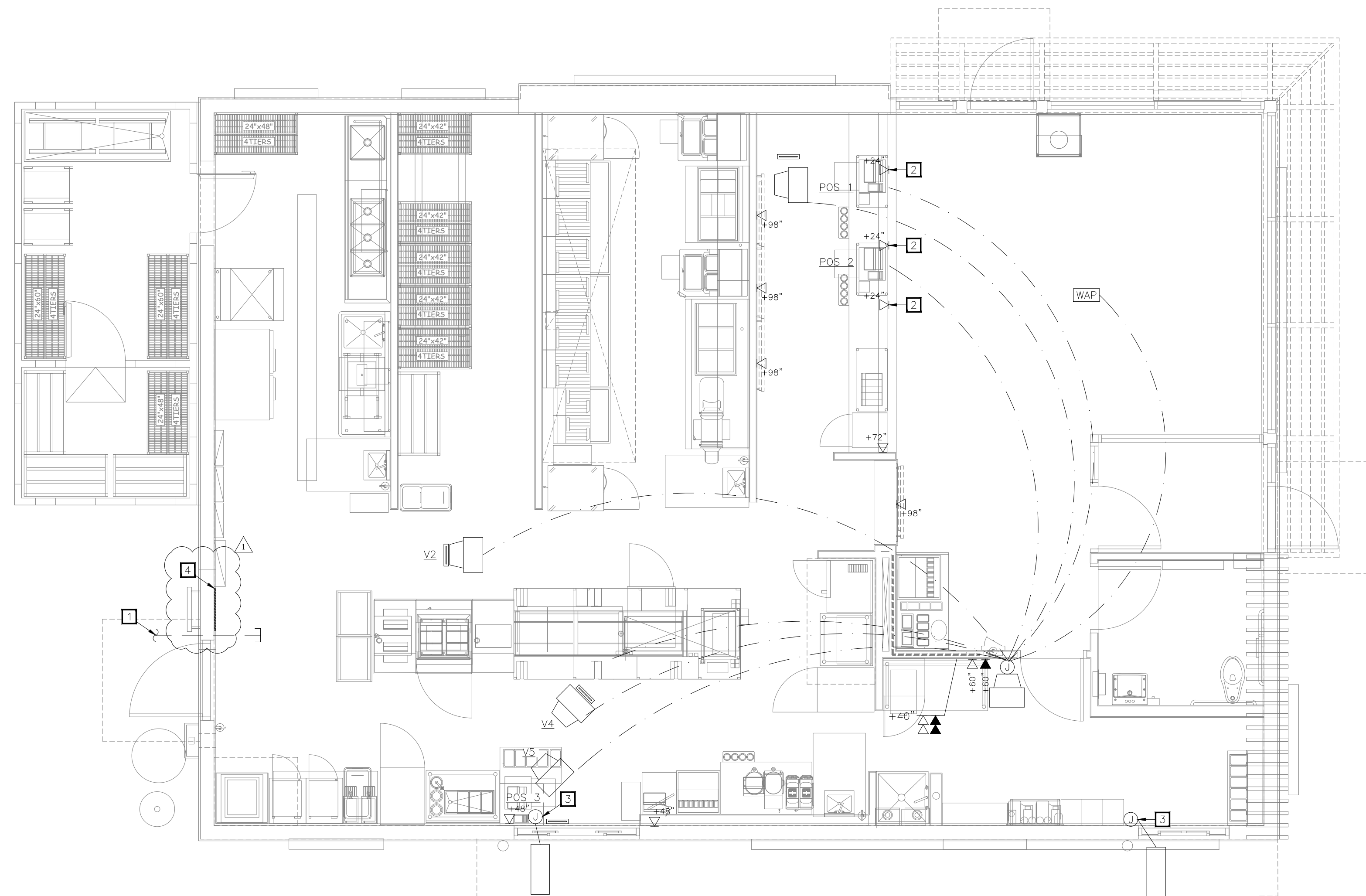
Store Type
US 2112 PROTOTYPE
2112-21

Location
**1517 NC 24-87
CAMERON, NC**

Drawing Title
ELECTRICAL ROOF PLAN

Drawn JP	Checked AH
Scale 1/4" = 1'-0"	Date JUNE 2023
Project No. C22-129	Drawing No. E1.3

POPEYES LOUISIANA KITCHEN MODEL 2112, 1517 NC 24-87, CAMERON, NC (JUNE 01, 2023) STORE NO. C22-129



01 LOW VOLTAGE PLAN
1/4"=1'-0"

ELECTRICAL KEYNOTES	
1	(2) 2" CONDUITS FROM TELEPHONE BOARD TO A LOCATION COORDINATED WITH LOCAL TELEPHONE COMPANY. OWNER REQUIRED SERVICE CONDUITS SHALL BE SIZED FOR 25 PAIR (MINIMUM). TELEPHONE SERVICE CONDUITS SHALL BE INSTALLED WITH PULL WIRE. CONDUITS RISE FROM U.G. INSIDE EXTERIOR WALL, TURN 90 DEGREES, AND TERMINATE IN BUILDING. SEE ARCHITECTURAL ELEVATIONS.
2	FRONT COUNTER REGISTER DATA OUTLETS MOUNTED ON INSIDE OF MILLWORK. PROVIDE 1" CONDUIT WITH PULL STRING FOR POS DATA BOXES.
3	PROVIDE JUNCTION BOX WITH 1" CONDUIT WITH PULL STRING THROUGH CURB TO 2" BELOW PAVEMENT LINE FOR CAR SENSOR DETECTOR LOOP. COORDINATE WITH CIVIL PLANS AND COORDINATE INSTALLATION IN FIELD WITH SUPPLIER.
4	PROVIDE 3/4" X 18" X 24" W PLYWOOD TELEPHONE BOARD PAINTED WITH 2 COATS OF "LISTED" FIRE RETARDANT LIGHT GRAY COLOR PAINT.

ISSUE TABLE		
No.	Date (mm/dd/yy)	Description

REVISIONS		
No.	Date	Description
1	8/01/2023	RESPONSE TO CITY
2	9/04/2023	HEALTH COMMENTS
3	9/12/2023	RESPONSE TO CITY

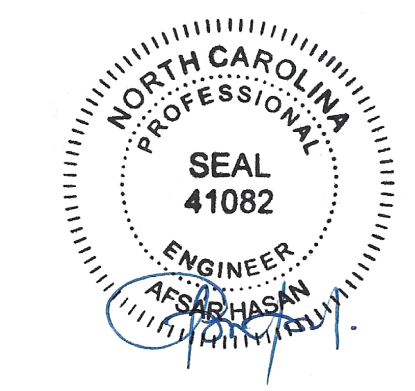
DRAWINGS REVISED AS PER DESIGN BULLETIN		
No.	Date	Description



PROJECT NORTH

THIS DRAWING IS OWNED BY OR LICENSED FOR USE BY POPEYES LOUISIANA KITCHEN (OR ITS AFFILIATED OR RELATED COMPANIES) AND MAY NOT BE REPRODUCED, USED, DOWNLOADED, DISSEMINATED, PUBLISHED OR TRANSFERRED IN ANY FORM OR BY ANY MEANS, EXCEPT WITH THE PRIOR WRITTEN CONSENT OF POPEYES LOUISIANA KITCHEN. COPYRIGHT INFRINGEMENT IS A VIOLATION OF FEDERAL LAW SUBJECT TO CRIMINAL AND CIVIL PENALTIES.

THE CONTRACTOR IS TO VERIFY ALL DIMENSIONS AND CONDITIONS ON THE PROJECT AND TO REPORT ANY DISCREPANCIES TO THE POPEYES LOUISIANA KITCHEN REPRESENTATIVE PRIOR TO COMMENCING WORK. THESE DRAWINGS ARE NOT TO BE USED FOR CONSTRUCTION PURPOSES UNLESS INDICATED BY POPEYES LOUISIANA KITCHEN AS "ISSUED FOR CONSTRUCTION".



9.13.2023

Company Logo

ARCHITECTURE-CIVIL ENGINEERING-MEP ENGINEERING
10755 SANDHILL ROAD, DALLAS, TEXAS 75238
TEL: 214-343-9400 www.dimensiongpp.com

Project

POPEYES

Store Type
US 2112 PROTOTYPE
2112-21

Location
1517 NC 24-87
CAMERON, NC

Drawing Title
ELECTRICAL POS PLAN

Drawn	JP	Checked	AH
Scale	1/4" = 1'-0"	Date	JUNE 2023
Project No.	C22-129	Drawing No.	E1.4

REGISTER CONNECTION NOTES			
A.	CABLES SHALL BE CAT6.		
B.	BUMP BARS SHALL BE MOUNTED TO DELIVERY SYSTEM AT AREAS MARKED "BB".		
C.	BUMP BAR CABLES SHALL BE RUN THROUGH DELIVERY SYSTEM FROM MOUNT UP THROUGH WALLS TO ABOVE THE CEILING AND BACK TO THE MANAGER STATION.		
D.	CRT MONITORS SHALL BE MOUNTED ON CEILING BRACKETS PROVIDED BY REGISTER SYSTEM.		
E.	WHERE CABLING IS INSTALLED IN WALLS, IT SHALL BE ROUTED IN 1" CONDUIT THROUGH THE WALL TO ABOVE ACCESSIBLE CEILING.		

POPEYES RADIO SYSTEM PROVIDED BY OWNER			
DESCRIPTION	MAKE	MODEL	QUANTITY
RECESSED SPEAKERS*(DINING)	BOSE	MODEL #16, BLACK	4
RECESSED SPEAKERS*(KITCHEN)	MUZAK	MBS 8-ST3, BLACK	2
OUTDOOR BOX SPEAKERS*	OWI	701	4
AMPLIFIER	PASO	MU 3130 BGM	1
SPEAKER SUPPORT	QUAM	SSB-2	2
SPEAKER BACKCAN	QUAM	ERD-8	2
CABLE, CONNECTORS, HARDWARE AND SHELF	VARIOUS	VARIOUS	1
AREA VOLUME CONTROL	QUAM	QC-10	3
RECEIVER	ECOHO STAR	3000	1
DISH	CH MASTER	1.0 ANTENNA	1

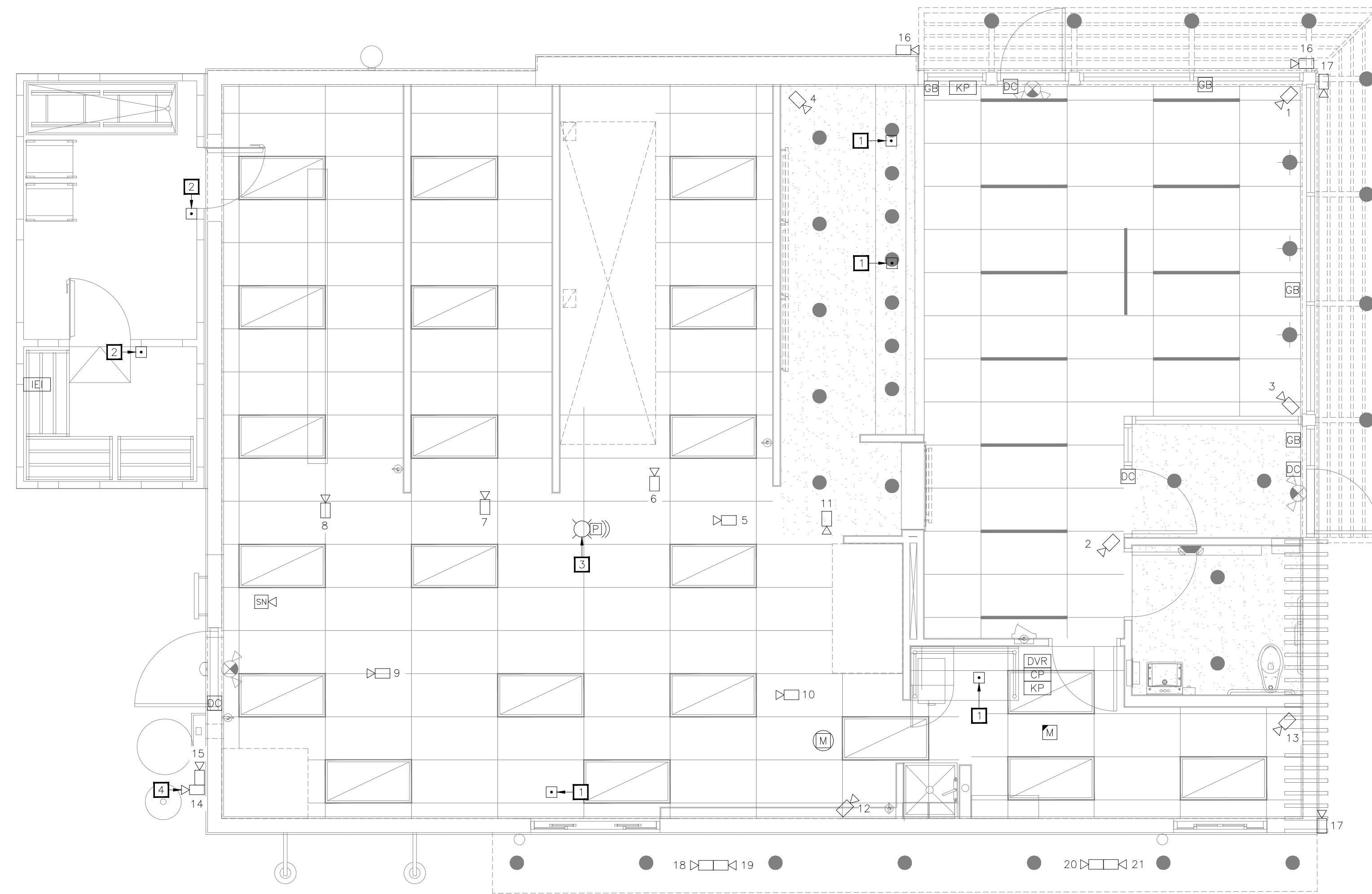
* NUMBER OF SPEAKERS MAY VARY DUE TO DESIGN CONSIDERATIONS
** LABOR INCLUDES INSTALLATION OF 150' OF 12 GAUGE SPEAKER WIRE. SEE THE NATIONAL ACCOUNT VENDOR LIST FOR EQUIPMENT SUPPLIER.

POS LEGEND	
	BUMP BAR WIRING
	VIDEO MONITOR AND POS WIRING
	SECURITY WIRING (CAT6)
	BB - BUMP BARS
	V1 = VIDEO 1 V2 = VIDEO 2 V3 = VIDEO 3 V4 = VIDEO 4 V5 = VIDEO 5
	POS - POINT OF SALE TERMINAL
	MONITOR
	WIRELESS APPLICATION PROTOCOL

NOTES TO ARCHITECT:
* ENGINEER NEEDS LOCATIONS FOR ALL SPEAKERS

SYMBOLS LEGEND NOTES:
MOUNTING HEIGHTS INDICATED ARE MEASURED FROM FINISHED FLOOR TO THE CENTERLINE OF THE DEVICE UNLESS NOTED OTHERWISE.

POPEYES LOUISIANA KITCHEN MODEL 2112, 1517 NC 24-87, CAMERON, NC (JUNE 01, 2023) STORE NO. C22-129



01 SECURITY PLAN
1/4" = 1'-0"

ELECTRICAL KEYNOTES

- 1 PROVIDE PANIC BUTTON INSTALLED ON UNDERSIDE OF COUNTER/ DESK.
- 2 PROVIDE WEATHERPROOF/ COLD-PROOF HOLD-UP PANIC BUTTON INSIDE WALK-IN COOLER/ FREEZER. COORDINATE EXACT INSTALLATION AND LOCATION WITH POPEYES CONSTRUCTION MANAGER.
- 3 STROBE LIGHT -AS SL-401B-BLUE STROBE LIGHT MOUNTED IN KITCHEN. LIGHT WILL FLASH CONTINUOUSLY WHILE BACK DOOR IS OPEN.
- 4 MOUNT CAMERA ON BUILDING CORNER AND ORIENT TO FACE DRIVE-THRU MENU BOARD.

POPEYES MATERIAL LIST

- CAMERAS**
- A. CAMERA ACCESSORIES AND DETAILS:
 - A.A. 6 OR 7 LOCATIONS (LOCATIONS W/OUTDOOR CAMERAS)
 - A.B. 2 OR 3 G1100-GROUND ISOLATION TRANSFORMERS
 - A.C. LTC 0430/20-38 SERIES CAMERA W/ 3.5-8MM VARIFOCAAL AUTOIRIS LENS
 - A.D. TC 9340A SERIES OUTDOOR HOUSING
 - A.E. TC9211PM POLE MOUNT ADAPTER
 - A.F. NCG CONNECTORS FOR PLENUM CABLE
 - A.G. LEX CONDUIT FOR OUTDOOR CAMERAS RUN INSIDE POLE FOR CABLING
 - B. INDOOR CEILING MOUNT IN TINTED DOME:
 - B.A. FASTEN SCREW IN CEILING FOR DOMES SO NOT EASILY DROPPED OUT OF TILE
 - B.B. LTC 0430/20-38 SERIES CAMERA W/ 3.5MM-8MM VARIFOCAAL AUTOIRIS LENS
 - B.C. TC 9345MT7 INDOOR TINTED DOME
 - B.D. BNC CONNECTORS FOR PLENUM CABLE
- OFFICE AREA**
- C. AC-BURGLAR ALARM CONTROL: VISTA 20SEUL
 - D. VCR LOCK BOX : TC3922 SERIES
 - E. VCR: LTC 3924 SERIES PLACE ON SECURITY LOCK FOR NO TAMPER
 - F. MONITOR: LTC 2813/60 SERIES
 - G. ALTV248: 8 POSITION POWER SUPPLY
 - H. QUICK REFERENCE SHEETS
 - I. ALARM INSTRUCTION SHEET TO BE MOUNTED ON WALL IN EMPLOYEE ONLY AREA CLOSEST TO KEYPAD OR IN OFFICE AREA PER CUSTOMER INSTRUCTION
 - J. VCR INSTRUCTION SHEETS (2) 1-REVIEW & 1-RECORD-TO BE MOUNTED ON WALL CLOSEST TO VCR
 - K. 2-HUB: HOLD UP BUTTON 441494 SERIES LATCHING HUB
- FOR LOCATIONS WITH 6 OR MORE CAMERAS: ADD MULTIPLEXER LTC 2641/60. PLACE ON NO-TAMPER SECURITY LOCK.
- FOR LOCATIONS WITH 4 CAMERAS OR LESS: ADD VIDQUAD 4 CHANNEL LTC 2272/60
- STOVE/ PREP AREA**
- L. STROBE LIGHT-AS SL-401B-BLUE STROBE MOUNT BEHIND MENU BOARD.
 - L.A. STROBE LIGHT WILL FLASH CONTINUOUSLY WHILE BACK DOOR IS OPEN
 - M. SOUNDER-AS-PAL328N-LOW TONE SOUNDER MOUNT WITH STROBE BEHIND MENU BOARD.
 - M.A. SOUNDER WILL SOUND WHEN BACK DOOR IS OPENED.
 - M.B. MANAGER WILL SILENCE ST SOUNDER AT KEYPAD AFTER 1ST TONE
 - N. MOTION DETECTOR-AP 669 PIR-360 MOTION MOUNT IN STOVE AREA.
 - N.A. MOTION DETECTOR RADIUS TO INCLUDE DRIVE-UP WINDOW AREA AND GENERAL REAR AREA.
- LOBBY/ PERIMETER AREA/ BACK OF HOUSE**
- O. KEYPAD
 - O.A. MOUNT 40" AFF WALL ENTERING KITCHEN AREA FROM LOBBY
 - P. FG 1025 GLASS BREAK
 - P.A. CLASS BREAK FOR LOBBY GLAZING, PROVIDE ONE ON EACH SIDE OF BUILDING. COORDINATE EXACT DEVICE LOCATION AND INSTALLATION.
 - Q. B4039 DOOR CONTACT
 - Q.A. PROVIDE FOR ALL EXTERIOR DOORS. BACK DOOR CONTACT TO ACT AS ALARM POINT FOR REAR "OPEN DOOR" ALARM, SOUNDER AND BLUE STROBE TO ACTIVATE WHEN BACK DOOR IS OPEN.
 - R. 3050CT SERIES HOLD-UP PANIC BUTTON
 - R.A. LATCHING HUB IN COOLER/FREEZER. MOUNT 18" AFF ON HINGE SIDE OF DOOR SUB UP IN CONDUIT
 - S. POINT OF CONNECTION TO NKL SAFE
 - S.A. FIGTAL PROVIDED BY NKL SAFE
 - T. RELAYS FOR BACK DOOR/POC/ZONE EXPANSION
 - U. TELCO JACK
 - V. WATTS LINE

REFERENCE ONLY

SECURITY SYMBOL LEGEND

DEVICE	SYMBOL	QTY.	DEVICE	SYMBOL	QTY.
DOOR CONTACT	DC	4	DOOR CONTACT	DC	4
HORN/ SOUNDER	SN	1	DOME CAMERA (PROVIDE EXTERIOR RATINGS WHERE REQUIRED)	DC	21
CONTROL PANEL	CP	1	14 INCH MONITOR	M	1
SECURITY KEYPAD	KP	2	DIGITAL VIDEO RECORDER	DVR	1
MOTION DETECTOR (CEILING MOUNT)	M	1	IEI KEYPAD	IEI	1
GLASS BREAK	GB	4	STROBE LIGHT	SL	1
HOLD-UP PANIC BUTTON	□	6	PIEZO	PJ	1

SECURITY ACCEPTANCE FORM NOTE

CONTRACTOR TO FILL OUT "SECURITY INSTALLATION ACCEPTANCE FORM/CHECKLIST" ON SHEET E1.0 TO FINALIZE INSTALLATION OF SECURITY SYSTEM.

ISSUE TABLE

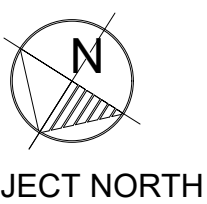
No.	Date (mm/dd/yy)	Description

REVISIONS

No.	Date	Description
1	8/01/2023	RESPONSE TO CITY
2	9/04/2023	HEALTH COMMENTS
3	9/12/2023	RESPONSE TO CITY

DRAWINGS REVISED AS PER DESIGN BULLETIN

No.	Date	Description



THIS DRAWING IS OWNED BY OR LICENSED FOR USE BY POPEYES LOUISIANA KITCHEN (OR ITS AFFILIATED OR RELATED COMPANIES) AND MAY NOT BE REPRODUCED, USED, DOWNLOADED, DISSEMINATED, PUBLISHED OR TRANSMITTED IN ANY FORM OR BY ANY MEANS, EXCEPT WITH THE PRIOR WRITTEN CONSENT OF POPEYES LOUISIANA KITCHEN. COPYRIGHT INFRINGEMENT IS A VIOLATION OF FEDERAL LAW SUBJECT TO CRIMINAL AND CIVIL PENALTIES.

THE CONTRACTOR IS TO VERIFY ALL DIMENSIONS AND CONDITIONS ON THE PROJECT AND TO REPORT ANY DISCREPANCIES TO THE POPEYES LOUISIANA KITCHEN REPRESENTATIVE PRIOR TO COMMENCING WORK. THESE DRAWINGS ARE NOT TO BE USED FOR CONSTRUCTION PURPOSES UNLESS INDICATED BY POPEYES LOUISIANA KITCHEN AS "ISSUED FOR CONSTRUCTION".



9.13.2023

Company Logo

Project

POPEYES

Store Type
US 2112 PROTOTYPE
2112-21

Location
1517 NC 24-87
CAMERON, NC

Drawing Title
ELECTRICAL SECURITY
PLAN

Drawn	JP	Checked	AH
Scale	1/4" = 1'-0"	Date	JUNE 2023
Project No.	C22-129	Drawing No.	E1.5

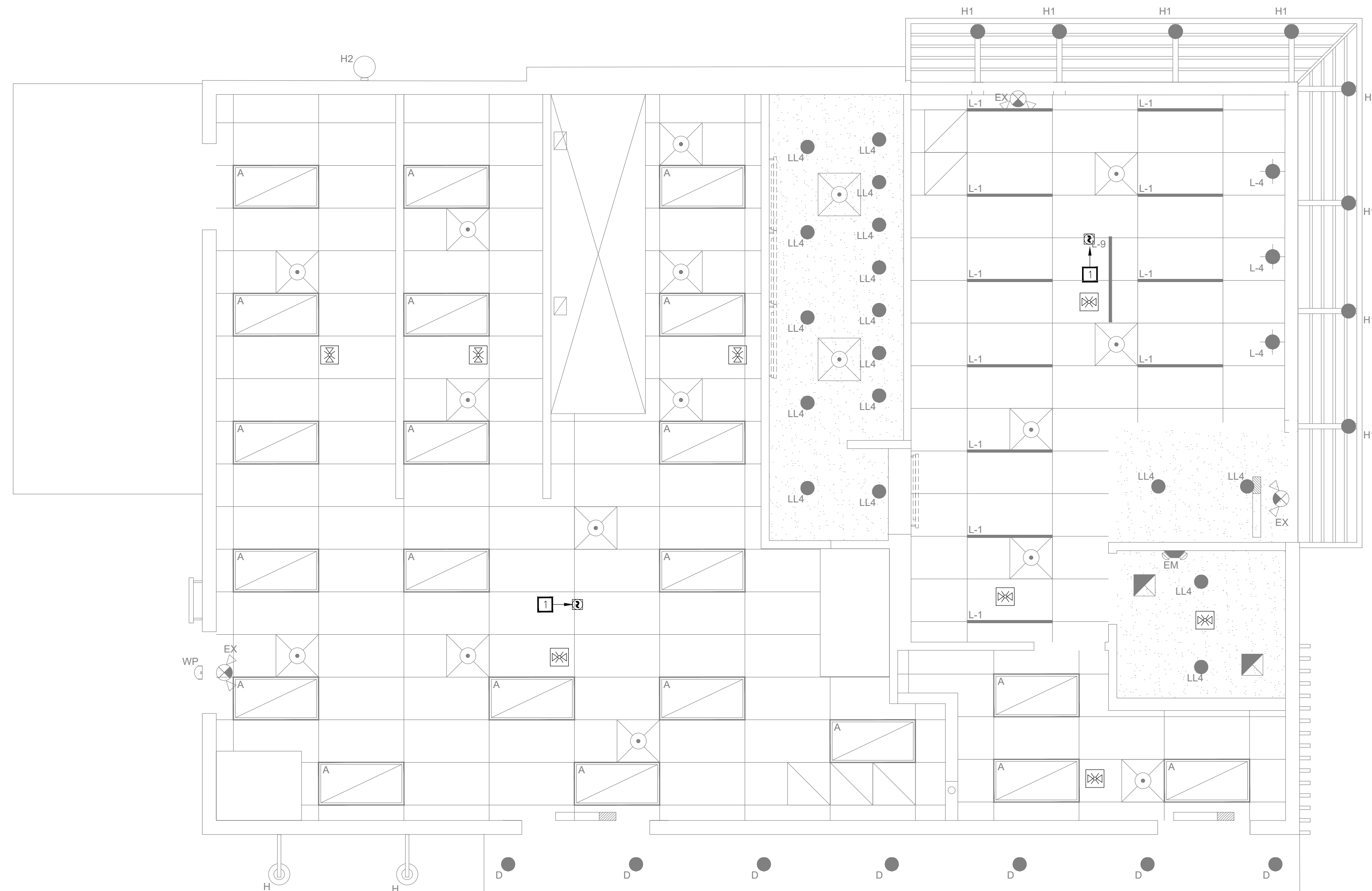
POPEYES LOUISIANA KITCHEN MODEL 2112, 1517 NC 24-87, CAMERON, NC (JUNE 01, 2023) STORE NO. C22-129

ELECTRICAL KEYNOTES	
□	PROVIDE 120V WIRING TO DUCT MOUNTED SMOKE DETECTORS AND REMOTE TEST INDICATORS.

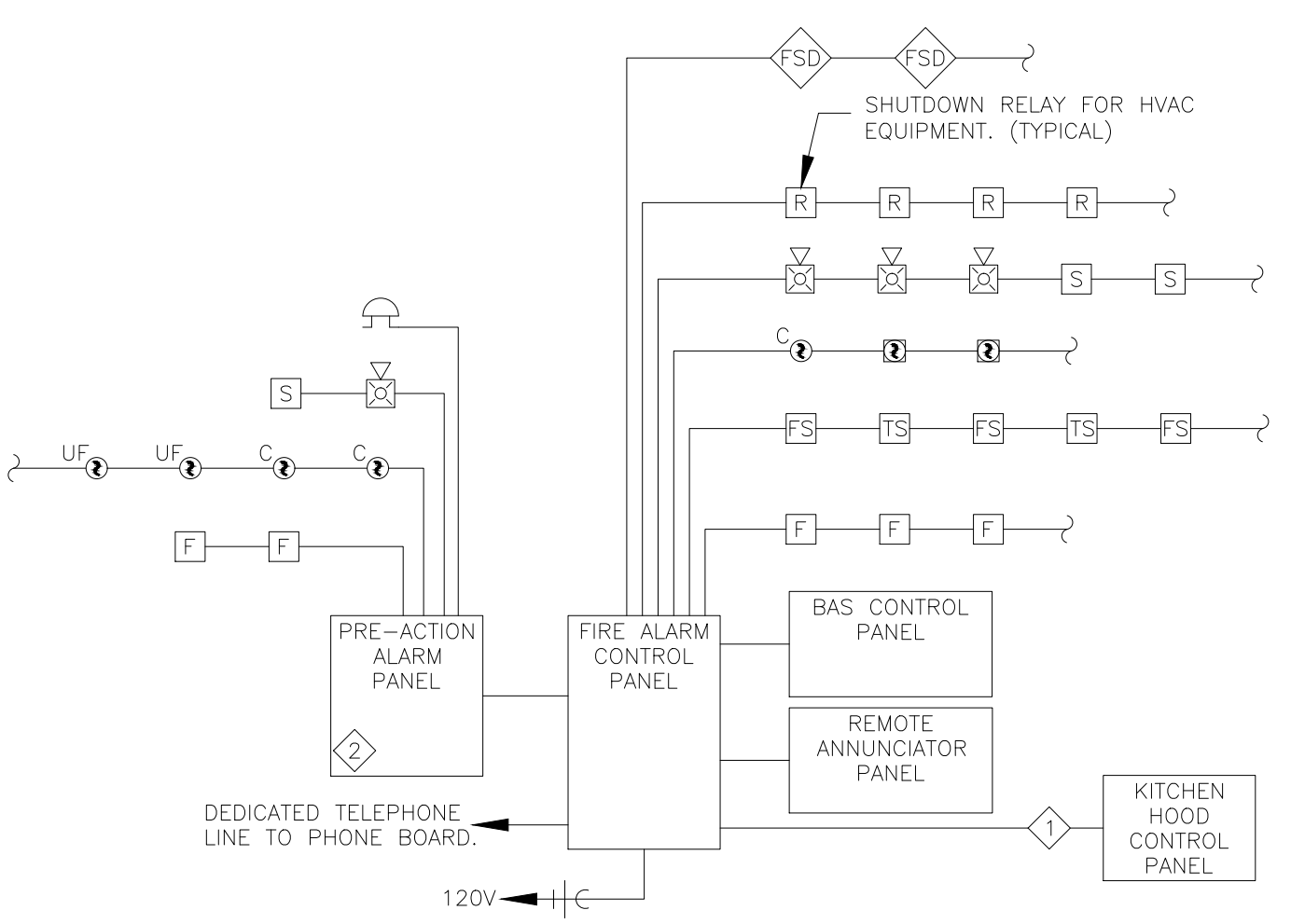
ISSUE TABLE		
No.	Date (mm/dd/yyyy)	Description

REVISIONS		
No.	Date	Description
1	8/01/2023	RESPONSE TO CITY
2	9/04/2023	HEALTH COMMENTS
3	9/12/2023	RESPONSE TO CITY

DRAWINGS REVISED AS PER DESIGN BULLETIN		
No.	Date	Description



01 FIRE ALARM PLAN
1/4"=1'-0"



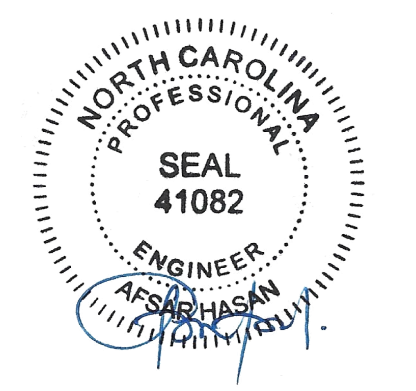
◊ ELECTRICAL CONTRACTOR SHALL PROVIDE RELAY CONNECTION BETWEEN KITCHEN EXHAUST HOODS AND FIRE ALARM SYSTEM.
 ◊ DATA ROOM SHALL BE MONITORED AND SIGNALLED INDEPENDENTLY.
 FIRE ALARM CONTRACTOR SHALL VERIFY EXACT NUMBER OF CIRCUITS REQUIRED FOR ALL DEVICES, INCLUDING VOLTAGE DROPS AND BATTERY CALCULATIONS.

02 FIRE ALARM RISER DIAGRAM
NOT TO SCALE



THIS DRAWING IS OWNED BY OR LICENSED FOR USE BY POPEYES LOUISIANA KITCHEN (OR ITS AFFILIATED OR RELATED COMPANIES) AND MAY NOT BE REPRODUCED, USED, DOWNLOADED, DISSEMINATED, PUBLISHED OR TRANSFERRED IN ANY FORM OR BY ANY MEANS, EXCEPT WITH THE PRIOR WRITTEN CONSENT OF POPEYES LOUISIANA KITCHEN. COPYRIGHT INFRINGEMENT IS A VIOLATION OF FEDERAL LAW SUBJECT TO CRIMINAL AND CIVIL PENALTIES.

THE CONTRACTOR IS TO VERIFY ALL DIMENSIONS AND CONDITIONS ON THE PROJECT AND TO REPORT ANY DISCREPANCIES TO THE POPEYES LOUISIANA KITCHEN REPRESENTATIVE PRIOR TO COMMENCING WORK. THESE DRAWINGS ARE NOT TO BE USED FOR CONSTRUCTION PURPOSES UNLESS INDICATED BY POPEYES LOUISIANA KITCHEN AS "ISSUED FOR CONSTRUCTION".



9.13.2023

Company Logo

ARCHITECTURE • CIVIL ENGINEERING • MEP ENGINEERING
10755 SANDHILL ROAD, DALLAS, TEXAS 75238
TEL: 214-343-9400 www.dimensiongroup.com

Project

Store Type
US 2112 PROTOTYPE
2112-21

Location
1517 NC 24-87
CAMERON, NC

Drawing Title
ELECTRICAL FIRE ALARM PLAN

Drawn JP	Checked AH
Scale AS SHOWN	Date JUNE 2023
Project No. C22-129	Drawing No. E1.6

POPEYES LOUISIANA KITCHEN MODEL 2112, 1517 NC 24-87, CAMERON, NC (JUNE 01, 2023) STORE NO. C22-129

KITCHEN EQUIPMENT SCHEDULE

EQUIPMENT MARK	ITEM DESCRIPTION	VOLTAGE-PHASE	MOCP	FEEDER				CONNECTION				HEIGHT	REMARKS
				CONDUCTOR & GROUND	PIPE	MATERIAL	TYPE	AMPERAGE	POLES	FUSES	NEMA		
A10.30	MULTIPLE LE FRYER SYSTEM, ELECTRIC	120V-3P	70A	1 SET(6)#6, #10G	1"	COPPER	RECEPTACLE	56A	3	5-15	18"	Amperage per vat. Needs power for controls	
A24.U2	MULTIPLE LE FRYER SYSTEM, ELECTRIC	208V-3P	60A	1 SET(4)#10, #8G	3/4"	COPPER	RECEPTACLE	47A	3	5-15	18"	Amperage per vat. Needs power for controls	
A31.00	MARINATOR	120V-1P	15A	1 SET(2)#12, #12G	1/2"	COPPER	RECEPTACLE	15A	1	5-15	18"		
A47.10	BATTER CART	120V-1P	15A	1 SET(2)#12, #12G	1/2"	COPPER	RECEPTACLE	15A	1	5-15	18"		
A47.20	BATTER CART	120V-1P	15A	1 SET(2)#12, #12G	1/2"	COPPER	RECEPTACLE	15A	1	5-15	18"		
A47.30	BATTER CART	120V-1P	15A	1 SET(2)#12, #12G	1/2"	COPPER	RECEPTACLE	15A	1	5-15	18"		
A49.00	DRUMROLL	120V-1P	15A	1 SET(2)#12, #12G	1/2"	COPPER	RECEPTACLE	15A	1	5-15	18"		
A54.00	REACH-IN-FREEZER	120V-1P	15A	1 SET(2)#12, #12G	1/2"	COPPER	RECEPTACLE	15A	1	5-15	78"		
AB54.00	REACH-IN-FREEZER	120V-1P	15A	1 SET(2)#12, #12G	1/2"	COPPER	RECEPTACLE	15A	1	5-15	78"		
B10.00	CONVECTION OVEN	120/208-3P	40A	1 SET(4)#8, #10G	3/4"	COPPER	HARDWARE	24A	2		22"-47"		
B20.00	COUNTERTOP MIXER	120V-1P	15A	1 SET(2)#12, #12G	1/2"	COPPER	RECEPTACLE	15A	1	5-15			
B60.00	REACH-IN-REFRIGERATOR	120V-1P	15A	1 SET(2)#12, #12G	1/2"	COPPER	RECEPTACLE	15A	1	5-15	78"		
B65.00	BISCUIT HOLDING UNIT	120V-1P	15A	1 SET(2)#12, #12G	1/2"	COPPER	RECEPTACLE	15A	1	5-15			
C20.00	TOASTER	120V-1P	15A	1 SET(2)#12, #12G	1/2"	COPPER	RECEPTACLE	15A	1	5-15	42"		
C40.00	PRODUCT HOLDING BIN	120V-1P	15A	1 SET(2)#12, #12G	1/2"	COPPER	RECEPTACLE	15A	1	5-15			
C41.00	PRODUCT HOLDING BIN	120V-1P	20A	1 SET(2)#12, #12G	1/2"	COPPER	RECEPTACLE	20A	1	5-15	64"		
D20.00	MICROWAVE OVEN	208V-1P	20A	1 SET(2)#12, #12G	1/2"	COPPER	RECEPTACLE	15A	2	6-20	40"-52"		
D29.00	DIPPER WELL	120V-1P	15A	1 SET(2)#12, #12G	1/2"	COPPER	RECEPTACLE	15A	1	5-15			
D20.10	UTENSIL HOLDER	120V-1P	15A	1 SET(2)#12, #12G	1/2"	COPPER	RECEPTACLE	15A	1	5-15			
D29.30	HOT WELLS	208V-1P	20A	1 SET(3)#12, #12G	1/2"	COPPER	RECEPTACLE	5A	2				
D29.80	HOT WELLS	208V-1P	15A	1 SET(2)#12, #12G	1/2"	COPPER	HARDWARE	1	1			PROVIDE FOR (2) HOT WELLS	
D50.00	ELECTRIC BOOSTER HEATER	208V-3P	30A	1 SET(3)#10, #10G	1/2"	COPPER	HARDWARE	3	3				
D70.00	HOT WATER DISPENSER	208V-1P	15A	1 SET(2)#12, #12G	1/2"	COPPER	HARDWARE	2	2		48"		
D81.00	REHEATING, WATER TANK, ELECTRIC	208V-1P	60A	1 SET(2)#6, #10G	3/4"	COPPER	HARDWARE	2	2		17"		
D90.00	COOK & HOLD OVEN	120V-1P	20A	1 SET(2)#10, #10G	1/2"	COPPER	RECEPTACLE	19A	1	6-30	69"		
D92.00	SIDE HOLDING BINS	208V-1P	15A	1 SET(2)#12, #12G	1/2"	COPPER	RECEPTACLE	15A	2	6-15	LOADCNR	INCLUDED IN #10	
D92.00DM	HOT HOLDING CABINET	208V-1P	30A	1 SET(2)#12, #12G	1/2"	COPPER	RECEPTACLE	30A	2	6-30			
D93.10	HOLDING BIN	208V-1P	35A	1 SET(2)#8, #10G	1/2"	COPPER	HARDWARE						
D94.00DM	HOT HOLDING CABINET	120V-1P	20A	1 SET(2)#12, #12G	1/2"	COPPER	RECEPTACLE	20A	1	5-20			
D94.00PC	PROTEIN HOLDING BIN	208V-1P	30A	1 SET(2)#10, #10G	1/2"	COPPER	RECEPTACLE	30A	2	6-30			
D94.10PC	BISCUIT HOLDING UNIT	120V-1P	15A	1 SET(2)#12, #12G	1/2"	COPPER	RECEPTACLE	15A	1	5-15			
D10.00	WALK-IN COOLER/FREEZER	120V-1P	15A	1 SET(2)#12, #12G	1/2"	COPPER	HARDWARE	1	1			SEE SPECS	
E71.00	EVEN-THAW REFRIGERATOR	120V-1P	15A	1 SET(2)#12, #12G	1/2"	COPPER	RECEPTACLE	15A	1	5-15	84"		
E71.20	THAWING CABINET	120V-1P	20A	1 SET(2)#12, #12G	1/2"	COPPER	RECEPTACLE	20A	1	5-20			
F15.10	FAB ELECTRICAL	208V-1P	15A	1 SET(2)#12, #12G	1-1/4"	COPPER	HARDWARE	2	2			SEE SPECS	
GR10.00	CONTACT GRILL	120V-1P	20A	1 SET(2)#12, #12G	1/2"	COPPER	RECEPTACLE	20A	1	5-20			
H10.00	FAB ELECTRICAL	120/208V-3P	15A	1 SET(4)#4, #8G	1/2"	COPPER	HARDWARE	3	3			LOAD CENTER	
H90.00	HOLDING CABINET	120V-1P	20A	1 SET(2)#12, #12G	1/2"	COPPER	RECEPTACLE	20A	1	5-20			
J40.00	UNDERCOUNTER REFRIGERATOR	120V-1P	15A	1 SET(2)#12, #12G	1/2"	COPPER	RECEPTACLE	15A	1	5-15	12"		
K10.00	ICE MAKER, CUBE-STYLET	120V-1P	15A	1 SET(2)#12, #12G	1/2"	COPPER	RECEPTACLE	15A	1	5-15	68"		
K30.00	DRINK MACHINE	120V-1P	15A	1 SET(2)#12, #12G	1/2"	COPPER	HARDWARE	1	1	5-15	50"		
K11.00	ICE MAKER, CUBE-STYLET	208V-1P	15A	1 SET(2)#12, #12G	1/2"	COPPER	HARDWARE	2	2		66"		
K30.00	DRINK MACHINE	120V-1P	15A	1 SET(2)#12, #12G	1/2"	COPPER	RECEPTACLE	15A	1	5-15			
K42.00	BAG N BOX	120V-1P	20A	1 SET(2)#12, #12G	1/2"	COPPER	RECEPTACLE	20A	1	5-15			
K40.00	OIL MANAGEMENT SYSTEM	120V-1P	20A	1 SET(2)#12, #12G	1/2"	COPPER	RECEPTACLE	20A	1	5-20			
K71.00	TEA BREWER	120V-1P	20A	1 SET(2)#12, #12G	1/2"	COPPER	RECEPTACLE	20A	1	5-20			

NOTES: 1. VERIFY ALL ELECTRICAL CONNECTIONS PRIOR TO ROUGH-IN.

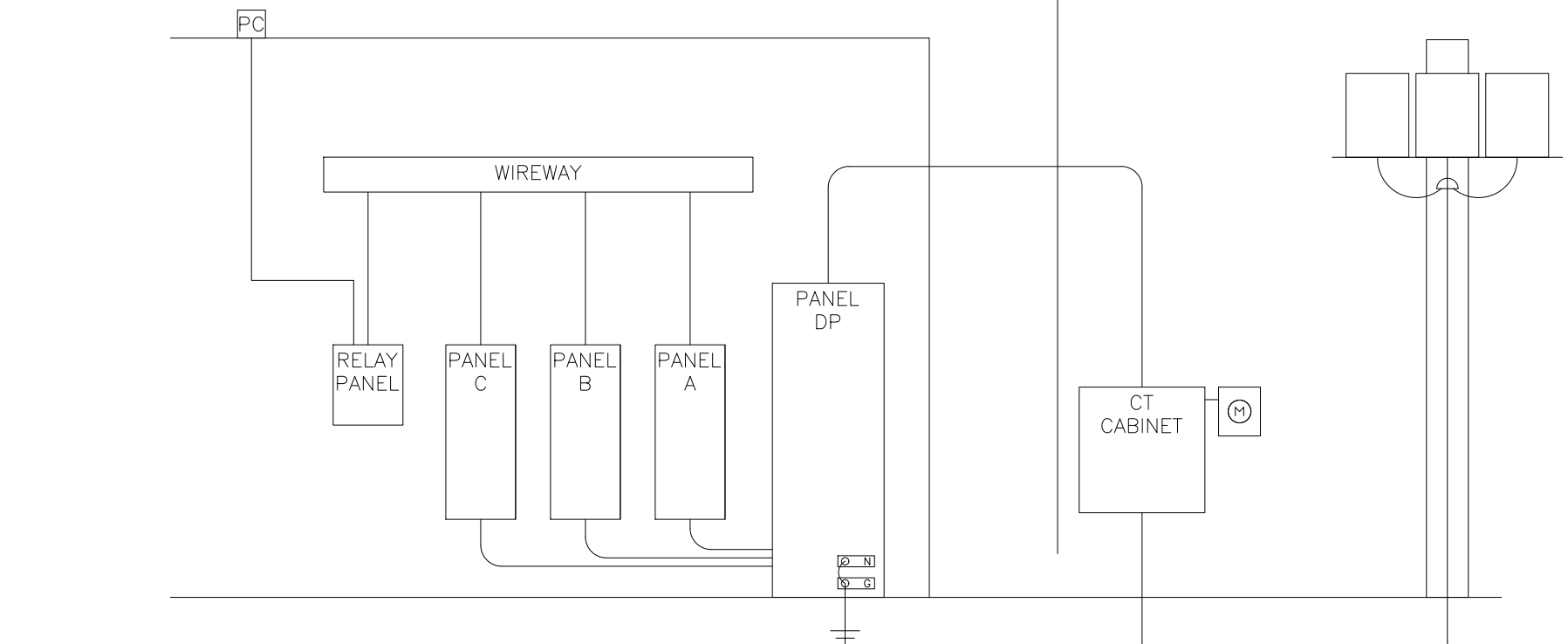
EQUIPMENT FEEDER SCHEDULE

EQUIPMENT MARK	VOLTAGE-PHASE	MOCP	FEEDER				REMARKS
			CONDUCTOR & GROUND	PIPE	MATERIAL	TYPE	
RTU-1	208V-3P	90A	1 SET(3)#3, #8G	1-1/4"	COPPER	INTEGRAL DISCONNECT	
RTU-2	208V-3P	175A	1 SET(4)#2/0, #6G	2"	COPPER	INTEGRAL DISCONNECT	
EF-1	120V-1P	20A	1 SET(2)#12, #12G	1/2"	COPPER	PROVIDE DISCONNECT	
EF-2	120V-1P	20A	1 SET(2)#12, #12G	1/2"	COPPER	PROVIDE DISCONNECT	
EF-3	120V-1P	20A	1 SET(2)#12, #12G	1/2"	COPPER	PROVIDE DISCONNECT	
ICE CONDENSER	208V-3P	20A	1 SET(3)#12, #12G	3/4"	COPPER	PROVIDE DISCONNECT	
ICE CONDENSER	208V-3P	20A	1 SET(3)#12, #12G	3/4"	COPPER	PROVIDE DISCONNECT	
ICE CONDENSER	208V-3P	20A	1 SET(2)#12, #12G	3/4"	COPPER	PROVIDE DISCONNECT	
COOLER CONDENSER	208V-3P	20A	1 SET(3)#12, #12G	3/4"	COPPER	PROVIDE DISCONNECT	
FREEZER CONDENSER	208V-3P	30A	1 SET(3)#12, #12G	3/4"	COPPER	PROVIDE DISCONNECT	

NOTES: 1. CIRCUIT THROUGH RELAY PANEL FOR CONTROL. SEE SCHEDULE FOR ADDITIONAL INFORMATION

FEEDER SCHEDULE

EQUIPMENT MARK	VOLTAGE-PHASE	MOCP	FEEDER				FAULT CURRENT	VOLTAGE DROP
			CONDUCTOR & GROUND	PIPE	MATERIAL	REMARKS		
UTILITY	500KVA 120/208V-3P INFINITE					111935		
DP	120/208V-3P	1000A	4 SETS(4)#250	3"	COPPER	36392		
A	120/208V-3P	225A	4 #4/0 & 1#4G	2-1/2"	COPPER	30819	0.10%	
B	120/208V-3P	400A	2 SETS(4)#3/0 & 1#3G	2-1/2"	COPPER	33616	0.10%	
C	120/208V-3P	225A	4 #4/0 & 1#4G	2-1/2"	COPPER	29805	0.10%	



01 ELECTRICAL RISER DIAGRAM
NO SCALE

PANELBOARD: DP
PANEL TYPE: A
LOCATION: B.O.H.

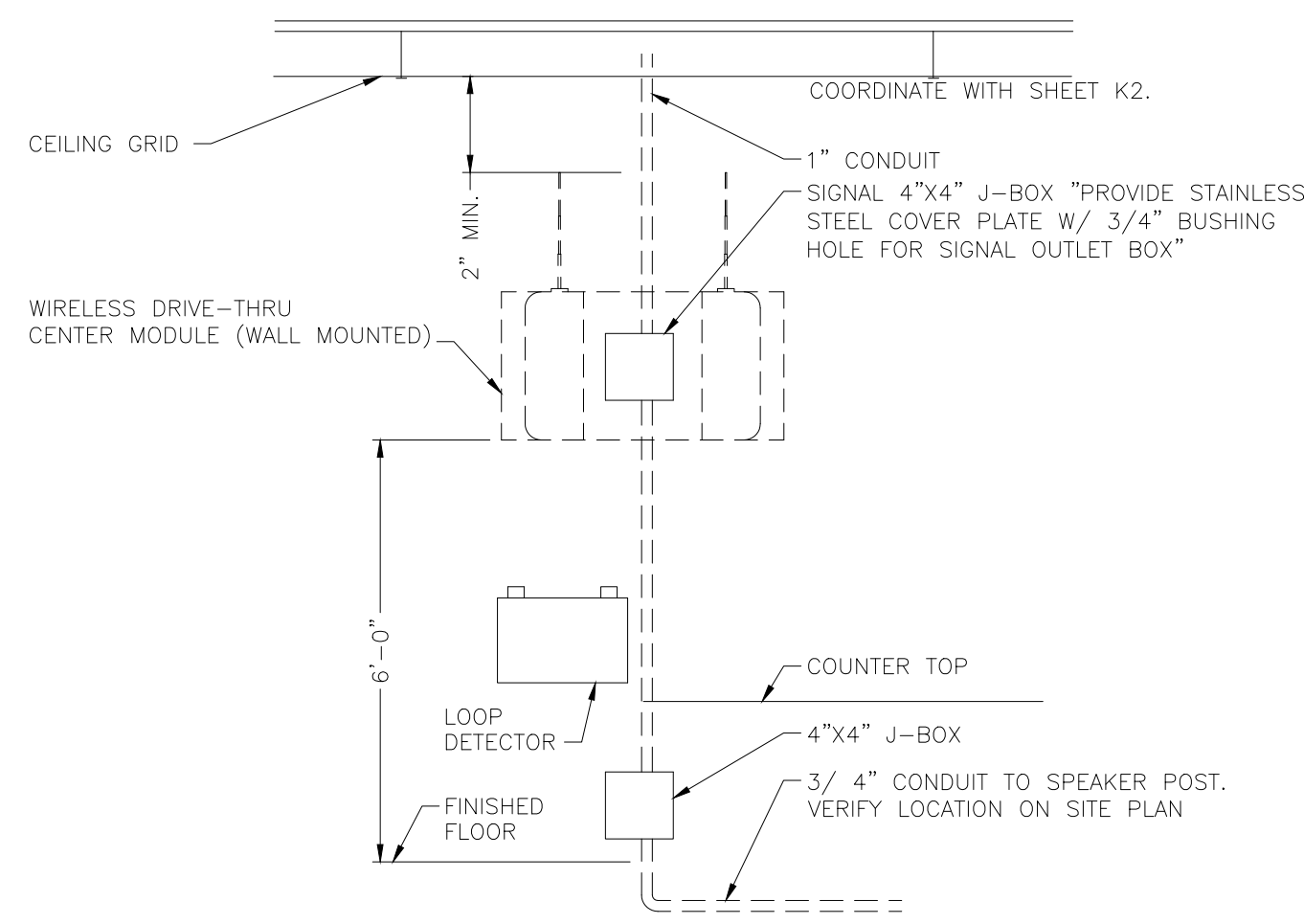
MAIN SIZE: 1000 A VOLTS: 120/208
MAIN TYPE: MCB PHASE/WIRE: 3/4
BUS TYPE: COPPER MOUNTING: SURFACE
BUS TYPE: COPPER MOUNTING: SURFACE

LOAD CRT	DESIGNATION	WIRE SIZE	LOAD VA	PL	AMPS	PHASE	PHASE	PHASE	AMPS	PL	LOAD VA	WIRE SIZE	DESIGNATION	CRT	LOAD CRT
K 1	BTO 00 - CONVECTION OVEN	3 #6, #10G, 1/4"	2880	3	40	3500					620	#12, #12G, 3/4"	WALK IN COOLER	2	O
K 3	BTO 00 - CONVECTION OVEN	3 #6, #10G, 1/4"	2880	3	40	3500					620	#12, #12G, 3/4"	WALK IN COOLER	2	O
K 5	BTO 00 - CONVECTION OVEN	3 #6, #10G, 1/4"	2880	3	40	3500					620	#12, #12G, 3/4"	WALK IN COOLER	2	O
K 7	BTO 00 - CONVECTION OVEN	3 #6, #10G, 1/4"	2880	3	40	3500					620	#12, #12G, 3/4"	WALK IN COOLER	2	O
K 9	BTO 00 - CONVECTION OVEN	3 #6, #10G, 1/4"	2880	3	40	3500					620	#12, #12G, 3/4"	WALK IN COOLER	2	O
K 11	BTO 00 - CONVECTION OVEN	3 #6, #10G, 1/4"	2880	3	40	3500					620	#12, #12G, 3/4"	WALK IN COOLER	2	O
K 13	BTO 00 - CONVECTION OVEN	3 #6, #10G, 1/4"	2880	3	40	3500					620	#12, #12G, 3/4"	WALK IN COOLER	2	O
K 15	BTO 00 - CONVECTION OVEN	3 #6, #10G, 1/4"	2880	3	40	3500					620	#12, #12G, 3/4"	WALK IN COOLER	2	O
K 17	BTO 00 - CONVECTION OVEN	3 #6, #10G, 1/4"	2880	3	40	3500					620	#12, #12G, 3/4"	WALK IN COOLER	2	O
K 19	BTO 00 - CONVECTION OVEN	3 #6, #10G, 1/4"	2880	3	40	3500					620	#12, #12G, 3/4"	WALK IN COOLER	2	O
K 21	BTO 00 - CONVECTION OVEN	3 #6, #10G, 1/4"	2880	3	40	3500					620	#12, #12G, 3/4"	WALK IN COOLER	2	O
K 23	BTO 00 - CONVECTION OVEN	3 #6, #10G, 1/4"	2880	3	40	3500					620	#12, #12G, 3/4"	WALK IN COOLER	2	O
K 25	BTO 00 - CONVECTION OVEN	3 #6, #10G, 1/4"	2880	3	40	3500					620	#12, #12G, 3/4"	WALK IN COOLER	2	O
K 27	BTO 00 - CONVECTION OVEN	3 #6, #10G, 1/4"	2880	3	40	3500					620	#12, #12G, 3/4"	WALK IN COOLER	2	O
K 29	BTO 00 - CONVECTION OVEN	3 #6, #10G, 1/4"	2880	3	40	3500					620	#12, #12G, 3/4"	WALK IN COOLER	2	O
K 31	BTO 00 - CONVECTION OVEN	3 #6, #10G, 1/4"	2880	3	40	3500					620	#12, #12G, 3/4"	WALK IN COOLER	2	O
K 33	BTO 00 - CONVECTION OVEN	3 #6, #10G, 1/4"	2880	3	40	3500					620	#12, #12G, 3/4"	WALK IN COOLER	2	O
K 35	BTO 00 - CONVECTION OVEN	3 #6, #10G, 1/4"	2880	3	40	3500					620	#12, #12G, 3/4"	WALK IN COOLER	2	O
K 37	BTO 00 - CONVECTION OVEN	3 #6, #10G, 1/4"	2880	3	40	3500					620	#12, #12G, 3/4"	WALK IN COOLER	2	O
K 39	BTO 00 - CONVECTION OVEN	3 #6, #10G, 1/4"	2880	3	40	3500					620	#12, #12G, 3/4"	WALK IN COOLER	2	O
K 41	BTO 00 - CONVECTION OVEN	3 #6, #10G, 1/4"	2880	3	40	3500					620	#12, #12G, 3/4"	WALK IN COOLER	2	O

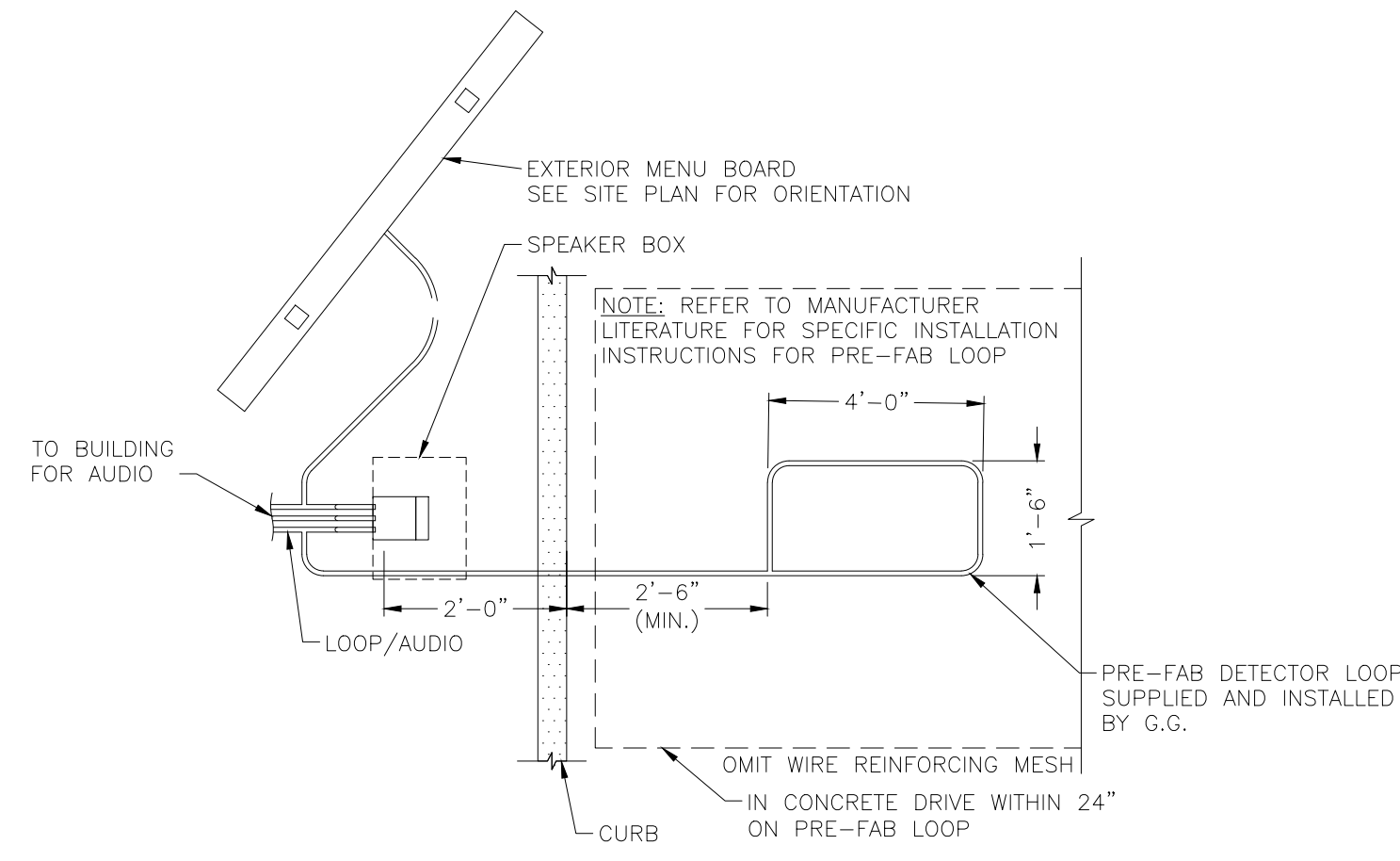
PANELBOARD: A
PANEL TYPE: N
LOCATION: B.O.H.

MAIN SIZE: 225 A VOLTS: 120/208
MAIN TYPE: MLD PHASE/WIRE: 3/4
BUS TYPE: COPPER MOUNTING: RECESSED
BUS TYPE: COPPER MOUNTING: RECESSED

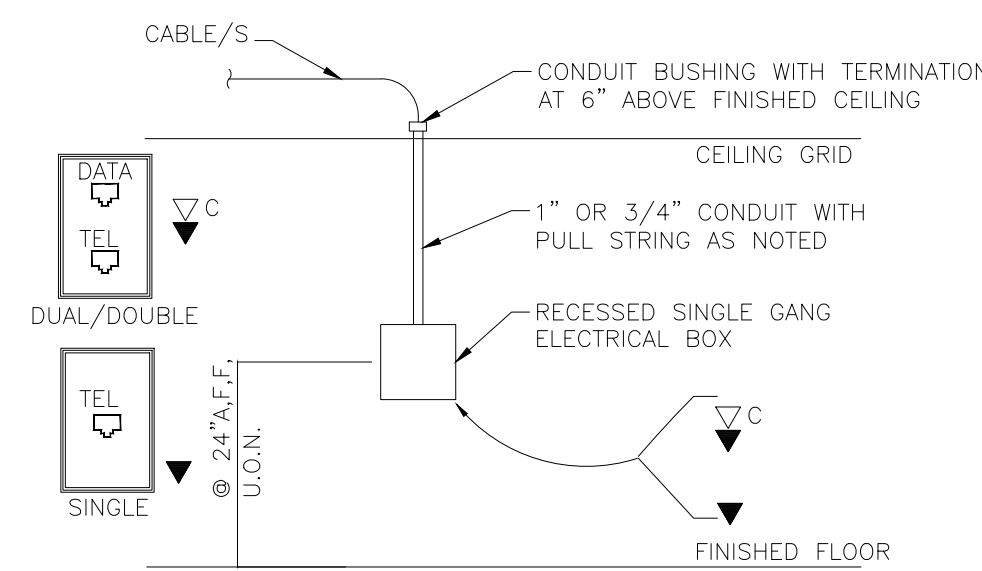
LOAD CRT	DESIGNATION	WIRE SIZE	LOAD VA	PL	AMPS	PHASE	PHASE	PHASE	AMPS	PL	LOAD VA	WIRE SIZE	DESIGNATION	CRT	LOAD CRT
L 1	KITCHEN LTG / RECIP. PLUMP	2 #12, #12G, 3/4"	1092	1	20	1917					20	#12, #1			



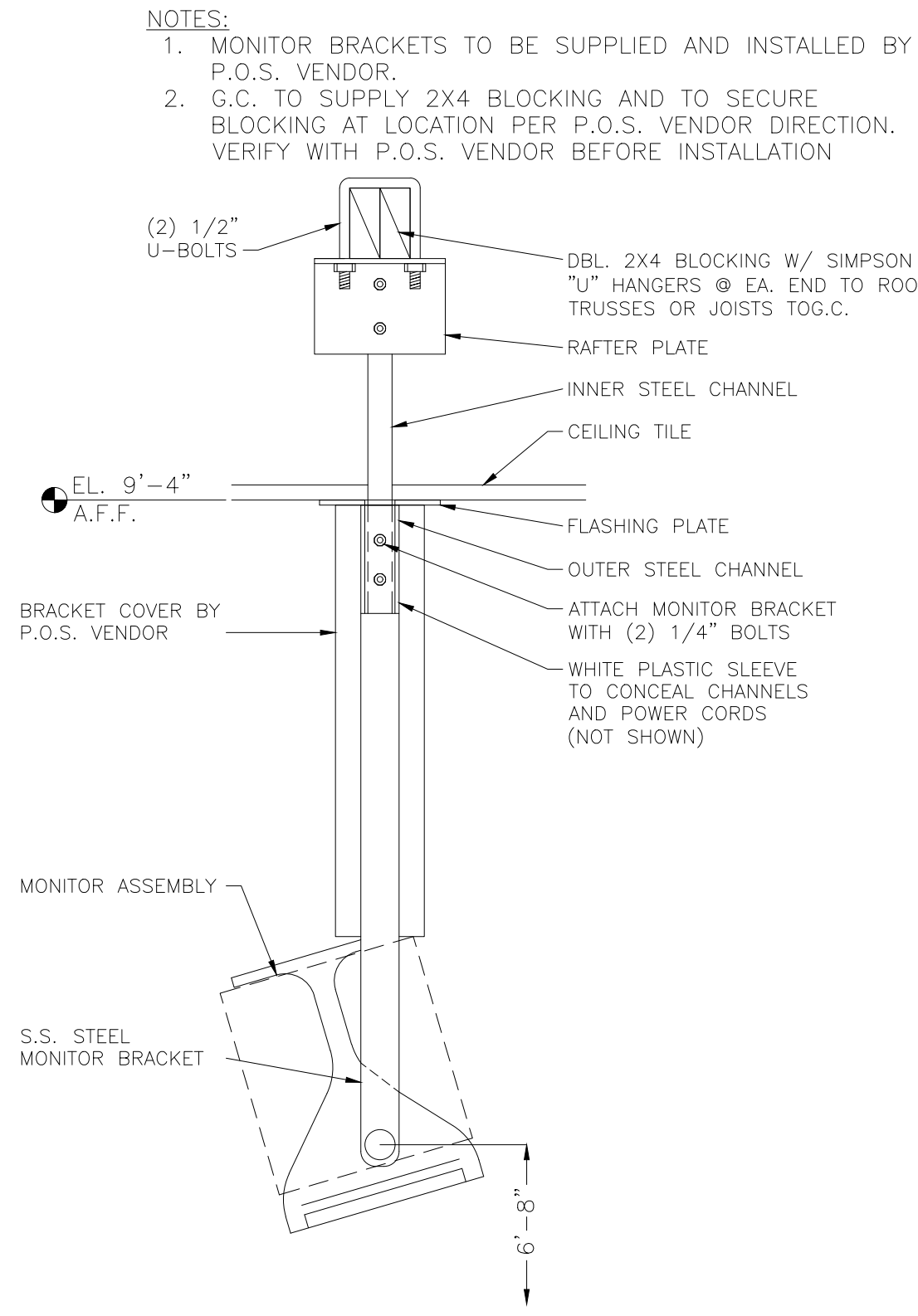
07 DRIVE-THRU AUDIO/TIMERS
NOT TO SCALE



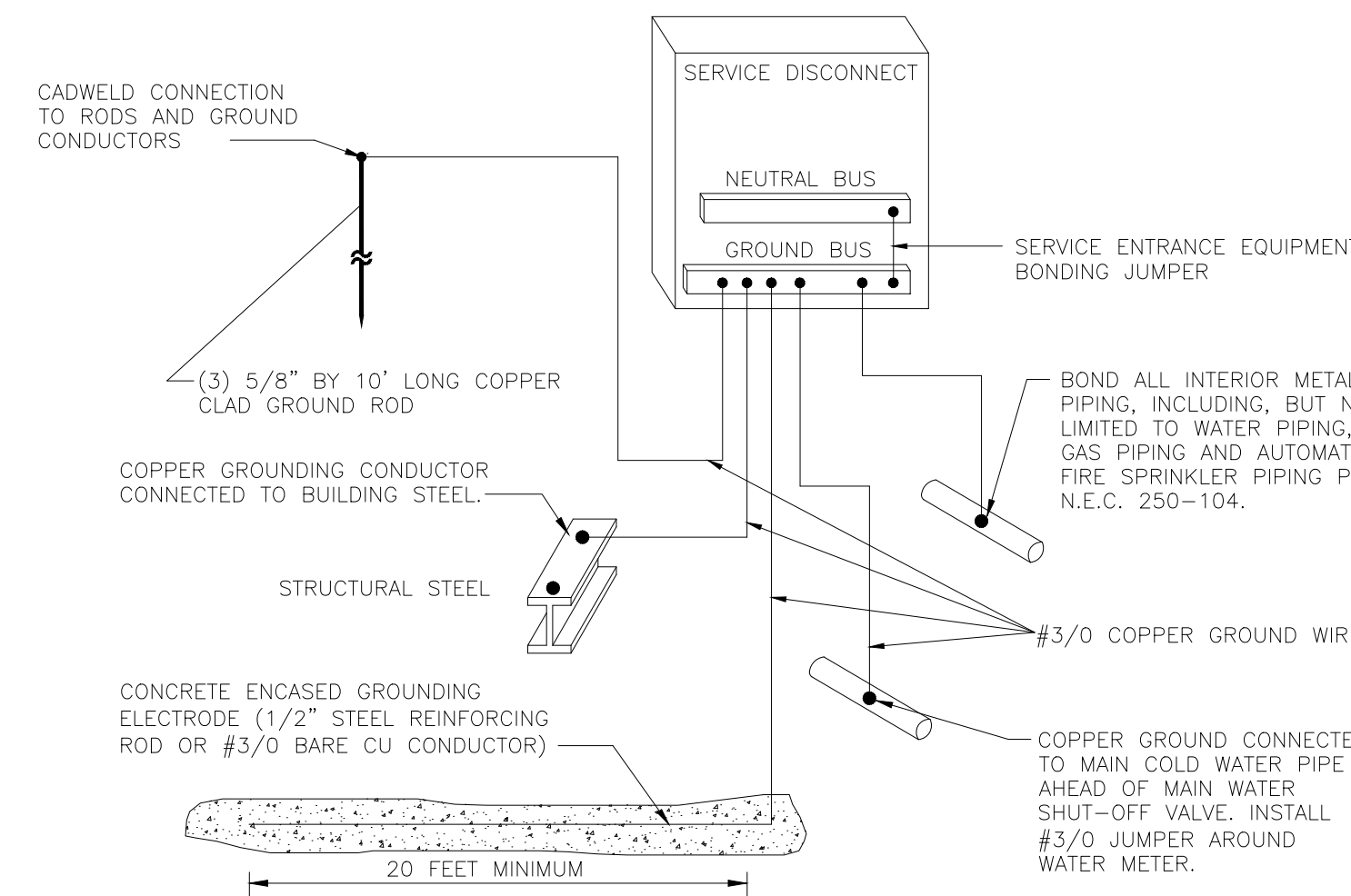
08 DRIVE-THRU LOOP DETECTOR
NOT TO SCALE



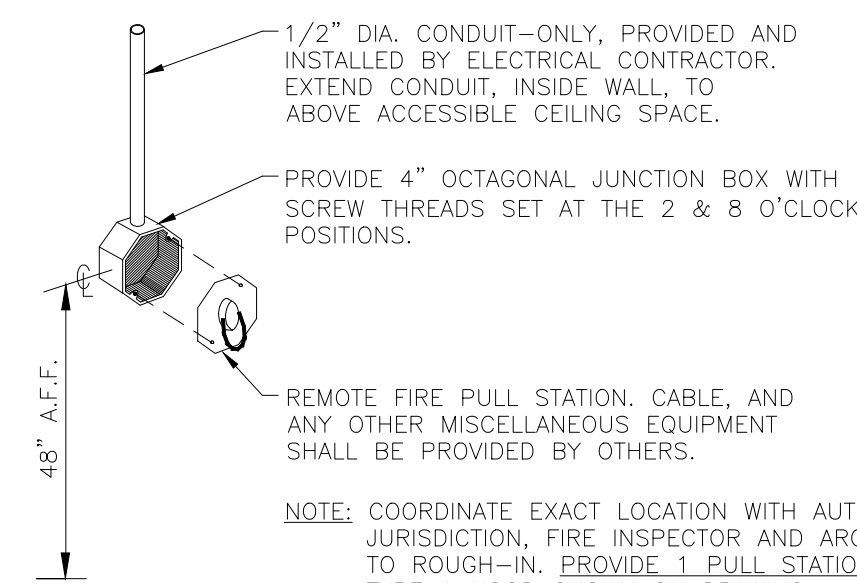
09 TYP COMM. STUB UP
NOT TO SCALE



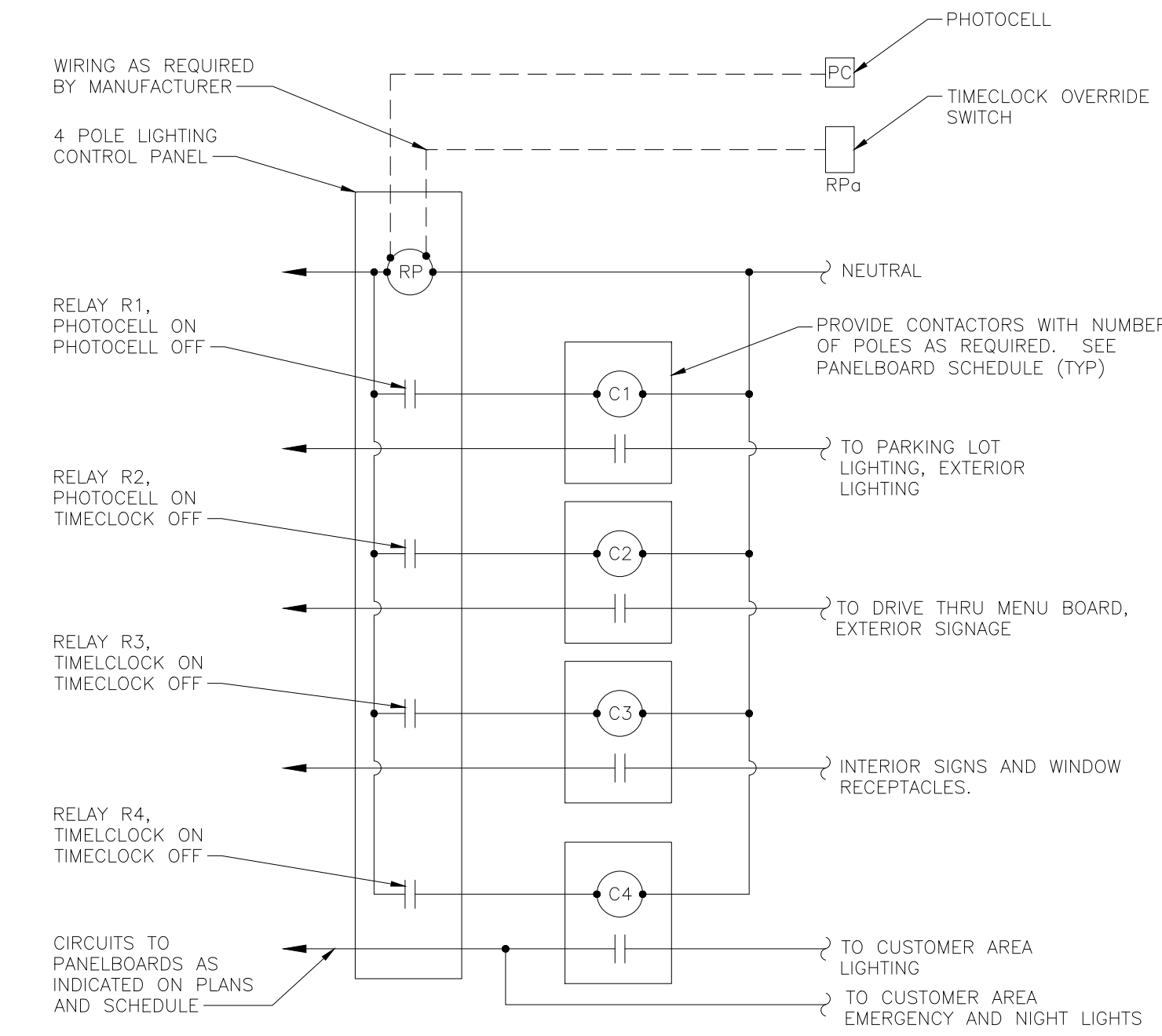
04 MONITOR BRACKET DETAIL
NOT TO SCALE



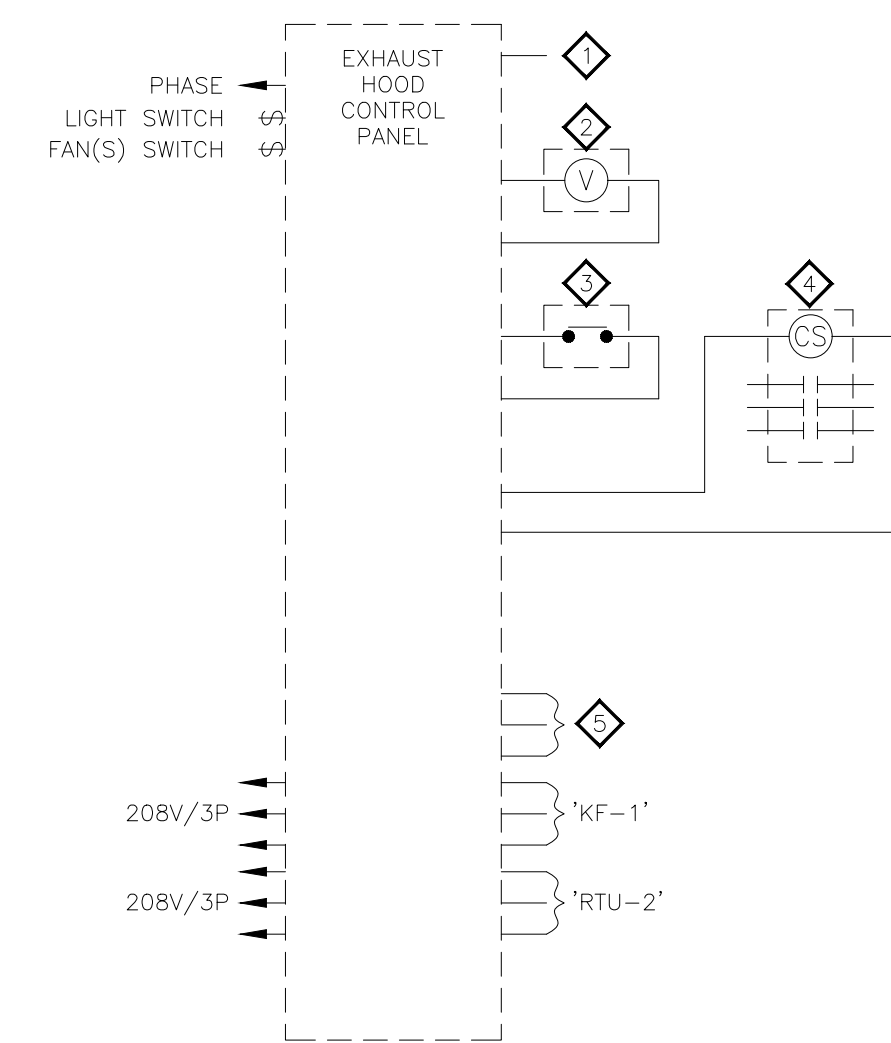
05 SERVICE ENTRANCE GROUNDING
NOT TO SCALE



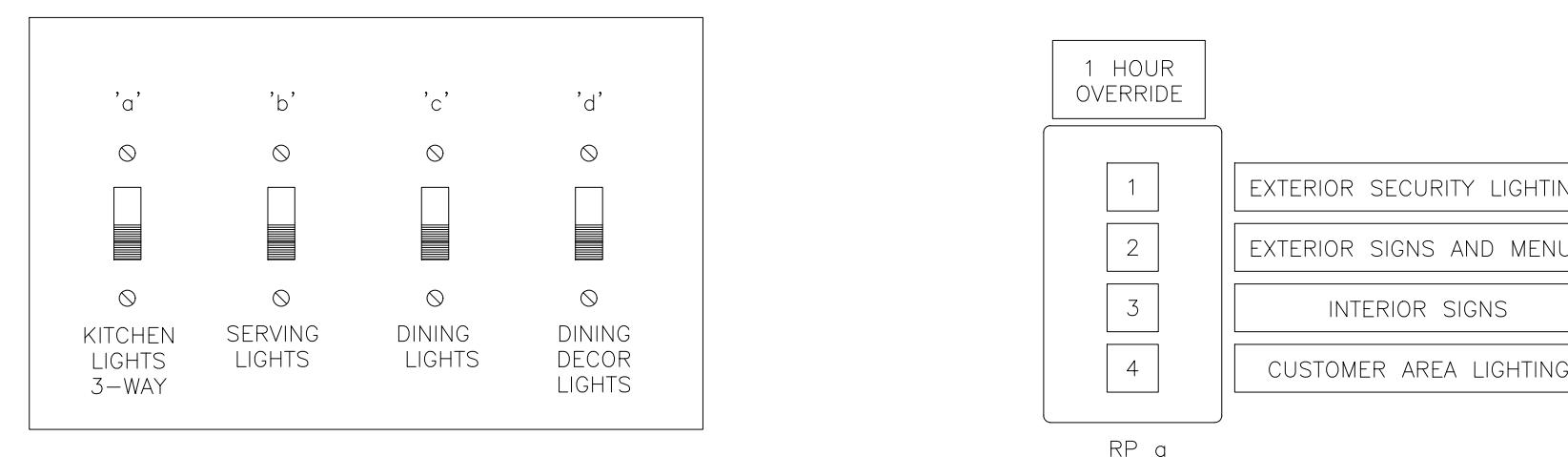
06 REMOTE HOOD FIRE PULL STATION
NOT TO SCALE



01 LIGHTING CONTROL DIAGRAM
NOT TO SCALE



02 EXHAUST HOOD SHUT-DOWN WIRING DIAGRAM (HCP)
NOT TO SCALE



03 SWITCH BANK DETAIL
NOT TO SCALE

ISSUE TABLE		
No.	Date (mm/dd/yy)	Description

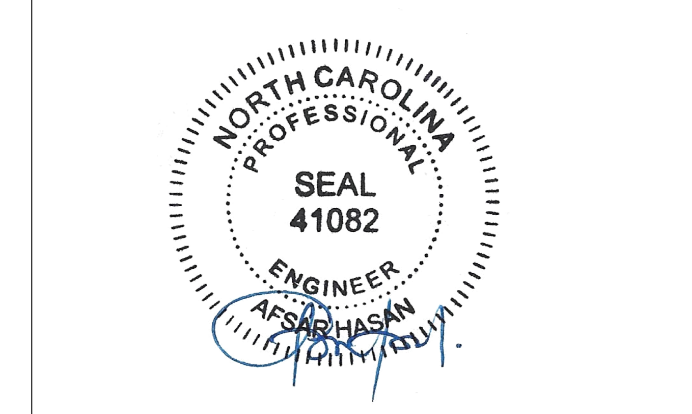
REVISIONS		
No.	Date	Description
1	8/01/2023	RESPONSE TO CITY
2	9/04/2023	HEALTH COMMENTS
3	9/12/2023	RESPONSE TO CITY

DRAWINGS REVISED AS PER DESIGN BULLETIN		
No.	Date	Description

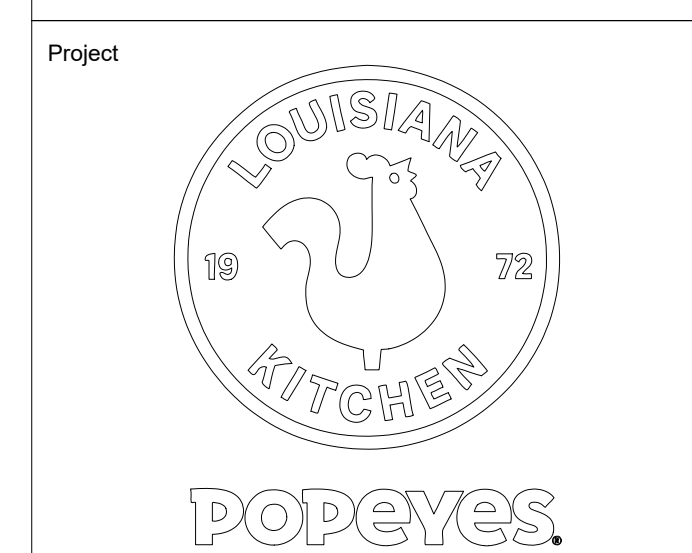
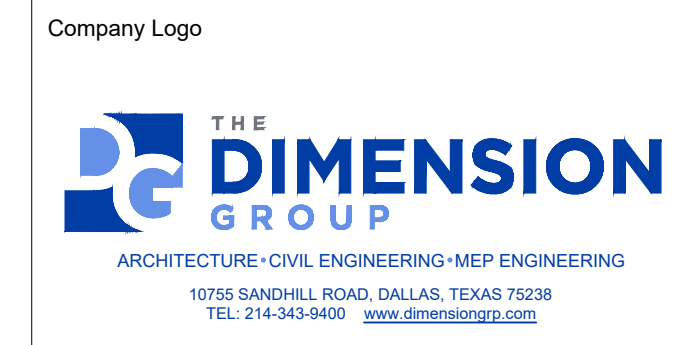


THIS DRAWING IS OWNED BY OR LICENSED FOR USE BY POPEYES LOUISIANA KITCHEN (OR ITS AFFILIATED OR RELATED COMPANIES) AND MAY NOT BE REPRODUCED, USED, DOWNLOADED, DISSEMINATED, PUBLISHED OR TRANSFERRED IN ANY FORM OR BY ANY MEANS, EXCEPT WITH THE PRIOR WRITTEN CONSENT OF POPEYES LOUISIANA KITCHEN. COPYRIGHT INFRINGEMENT IS A VIOLATION OF FEDERAL LAW SUBJECT TO CRIMINAL AND CIVIL PENALTIES.

THE CONTRACTOR IS TO VERIFY ALL DIMENSIONS AND CONDITIONS ON THE PROJECT AND TO REPORT ANY DISCREPANCIES TO THE POPEYES LOUISIANA KITCHEN REPRESENTATIVE PRIOR TO COMMENCING WORK. THESE DRAWINGS ARE NOT TO BE USED FOR CONSTRUCTION PURPOSES UNLESS INDICATED BY POPEYES LOUISIANA KITCHEN AS "ISSUED FOR CONSTRUCTION".



9.13.2023



Store Type
US 2112 PROTOTYPE
2112-21

Location
1517 NC 24-87
CAMERON, NC

Drawing Title
ELECTRICAL DETAILS

Drawn JP	Checked AH
Scale NOT TO SCALE	Date JUNE 2023
Project No. C22-129	Drawing No. E3.1

POPEYES LOUISIANA KITCHEN MODEL 2112, 1517 NC 24-87, CAMERON, NC (JUNE 01, 2023) STORE NO. C22-129

COMcheck Software Version 4.1.5.5 Interior Lighting Compliance Certificate

Project Information
 Energy Code: 2018 IECC
 Project Title: Popeye's
 Project Type: New Construction

Construction Site: 1517 NC 24-87
 Cameron, NC
 Owner/Agent:
 Designer/Contractor:
 The Dimension Group
 10755 Sandhill Road
 Dallas, TX 75238
 214 343 9400

Additional Efficiency Package(s)

Credits: 1.0 Required 1.0 Proposed
 High Performance HVAC, 1.0 credit

Allowed Interior Lighting Power

A Area Category	B Floor Area (ft2)	C Allowed Watts / ft2	D Allowed Watts (B X C)
1-Dining, Cafeteria/Fast Food	6000	0.79	4740
			Total Allowed Watts = 4740

Proposed Interior Lighting Power

Fixture ID : Description / Lamp / Wattage Per Lamp / Ballast	A Lamps/ Fixture	C # of Fixtures	D Fixture Watt.	E (C X D)
1-Dining, Cafeteria/Fast Food				
LED 1: AAE-2X4 LED TROFFER, LED Panel 54W:	1	23	52	1196
LED 2: L-1: LED SUSPENDED, LED Linear 20W:	1	11	18	198
LED 3: L-9: LED SUSPENDED, LED Linear 22W:	1	1	30	30
LED 4: LL-4: 6" RECESSED LED DOWNLIGHT, LED A Lamp 12W:	1	17	12	196
LED 5: L-4: LED ACCENT LIGHT, LED A Lamp 12W:	1	3	12	36
				Total Proposed Watts = 1656

Interior Lighting PASSES: Design 65% better than code

Interior Lighting Compliance Statement

Compliance Statement: The proposed interior lighting design represented in this document is consistent with the building plans, specifications, and other calculations submitted with this permit application. The proposed interior lighting systems have been designed to meet the 2018 IECC requirements in COMcheck Version 4.1.5.5 and to comply with any applicable mandatory requirements listed in the Inspection Checklist.

Jennifer Pfankuch - MEP Designer
 Name - Title
 Signature
 Date

Project Title: Popeye's
 Data filename: C:\Good Sync Projects\Popeye's\C22-129 Cameron, NC\06 MEP\ComCheck\POPEYES.CAMERON, Page 1 of 19
 Report date: 05/25/23
 COMCHECK.cck

COMcheck Software Version 4.1.5.5 Inspection Checklist

Energy Code: 2018 IECC

Requirements: 96.0% were addressed directly in the COMcheck software

Text in the "Comments/Assumptions" column is provided by the user in the COMcheck Requirements screen. For each requirement, the user certifies that a code requirement will be met and how that is documented, or that an exception is being claimed. Where compliance is itemized in a separate table, a reference to that table is provided.

Section # & Req.ID	Plan Review	Complies?	Comments/Assumptions
C103.2 [PR2]†	Plans, specifications, and/or calculations provide all information with which compliance can be determined for the mechanical systems and equipment and document where exceptions to the standard are claimed. Load calculations per acceptable engineering standards and handbooks.	<input type="checkbox"/> Complies <input type="checkbox"/> Does Not <input type="checkbox"/> Not Observable <input type="checkbox"/> Not Applicable	Requirement will be met.
C103.2 [PR3]†	Plans, specifications, and/or calculations provide all information with which compliance can be determined for the service water heating systems and equipment and document where exceptions to the standard are claimed. Hot water system sized per manufacturer's sizing guide.	<input type="checkbox"/> Complies <input type="checkbox"/> Does Not <input type="checkbox"/> Not Observable <input type="checkbox"/> Not Applicable	Requirement will be met.
C103.2 [PR4]†	Plans, specifications, and/or calculations provide all information with which compliance can be determined for the interior lighting and electrical systems and equipment and document where exceptions to the standard are claimed. Information provided should include interior lighting power calculations, wattage of bulbs and ballasts, transformers and control devices.	<input type="checkbox"/> Complies <input type="checkbox"/> Does Not <input type="checkbox"/> Not Observable <input type="checkbox"/> Not Applicable	Requirement will be met.
C103.2 [PR8]†	Plans, specifications, and/or calculations provide all information with which compliance can be determined for the exterior lighting and electrical systems and equipment and document where exceptions to the standard are claimed. Information provided should include exterior lighting power calculations, wattage of bulbs and ballasts, transformers and control devices.	<input type="checkbox"/> Complies <input type="checkbox"/> Does Not <input type="checkbox"/> Not Observable <input type="checkbox"/> Not Applicable	Requirement will be met.
C406 [PR9]†	Plans, specifications, and/or calculations provide all information with which compliance can be determined for the additional energy efficiency package options.	<input type="checkbox"/> Complies <input type="checkbox"/> Does Not <input type="checkbox"/> Not Observable <input type="checkbox"/> Not Applicable	Requirement will be met.

Additional Comments/Assumptions:

1 High Impact (Tier 1) 2 Medium Impact (Tier 2) 3 Low Impact (Tier 3)

Project Title: Popeye's
 Data filename: C:\Good Sync Projects\Popeye's\C22-129 Cameron, NC\06 MEP\ComCheck\POPEYES.CAMERON, Page 5 of 19
 Report date: 05/25/23
 COMCHECK.cck

COMcheck Software Version 4.1.5.5 Exterior Lighting Compliance Certificate

Project Information
 Energy Code: 2018 IECC
 Project Title: Popeye's
 Project Type: New Construction
 Exterior Lighting Zone: 4 (High activity metropolitan commercial district (LZ4))

Construction Site: 1517 NC 24-87
 Cameron, NC
 Owner/Agent:
 Designer/Contractor:
 The Dimension Group
 10755 Sandhill Road
 Dallas, TX 75238
 214 343 9400

Allowed Exterior Lighting Power

A Area/Surface Category	B Quantity	C Allowed Watts / Unit	D Tradable Wattage	E Allowed Watts (B X C)
Walkway < 10 feet wide	57 ft of	0.7	Yes	40
Entry canopy	107 ft2	0.4	Yes	43
Parking area	20546 ft2	0.08	Yes	1644
Illuminated area of facade wall or surface	168 ft2	0.15	No	25
				Total Tradable Watts (a) = 1726
				Total Allowed Supplemental Watts (b) = 900

(a) Wattage tradeoffs are only allowed between tradable areas/surfaces.
 (b) A supplemental allowance equal to 900 watts may be applied toward compliance of both non-tradable and tradable areas/surfaces.

Proposed Exterior Lighting Power

Fixture ID : Description / Lamp / Wattage Per Lamp / Ballast	A Lamps/ Fixture	C # of Fixtures	D Fixture Watt.	E (C X D)
Walkway < 10 feet wide (57 ft of walkway length): Tradable Wattage				
LED 2: H1: LED SCOWE, LED Other Fixture Unit 103W:	1	8	100	800
Drive-up windows/doors (2 windows or doors): Non-tradable Wattage				
Entry canopy (107 ft2): Tradable Wattage				
LED 3: D: RECESSED DOWNLIGHT, LED A Lamp 13W:	1	7	14	98
Parking area (20546 ft2): Tradable Wattage				
LED 4: P1: LED POLE LIGHT: LED Roadway-Parking Unit 220W:	1	5	165	825
Illuminated area of facade wall or surface (168 ft2): Non-tradable Wattage				
LED 5: H: LED GOOSENECK, LED Other Fixture Unit 36W:	1	2	38	76
				Total Tradable Proposed Watts = 1723

Project Title: Popeye's
 Data filename: C:\Good Sync Projects\Popeye's\C22-129 Cameron, NC\06 MEP\ComCheck\POPEYES.CAMERON, Page 2 of 19
 Report date: 05/25/23
 COMCHECK.cck

Section # & Req.ID	Footing / Foundation Inspection	Complies?	Comments/Assumptions
C403.12.2 [FO9]†	Snow/ice melting system and freeze protection systems have sensors and controls configured to limit service for pavement temperature and outdoor temperature, future connection to controls.	<input type="checkbox"/> Complies <input type="checkbox"/> Does Not <input type="checkbox"/> Not Observable <input type="checkbox"/> Not Applicable	Exception: Requirement does not apply.

Additional Comments/Assumptions:

Project Title: Popeye's
 Data filename: C:\Good Sync Projects\Popeye's\C22-129 Cameron, NC\06 MEP\ComCheck\POPEYES.CAMERON, Page 7 of 19
 Report date: 05/25/23
 COMCHECK.cck

Exterior Lighting PASSES: Design 33% better than code

Exterior Lighting Compliance Statement

Compliance Statement: The proposed exterior lighting design represented in this document is consistent with the building plans, specifications, and other calculations submitted with this permit application. The proposed exterior lighting systems have been designed to meet the 2018 IECC requirements in COMcheck Version 4.1.5.5 and to comply with any applicable mandatory requirements listed in the Inspection Checklist.

Jennifer Pfankuch - MEP Designer
 Name - Title
 Signature
 Date

Project Title: Popeye's
 Data filename: C:\Good Sync Projects\Popeye's\C22-129 Cameron, NC\06 MEP\ComCheck\POPEYES.CAMERON, Page 3 of 19
 Report date: 05/25/23
 COMCHECK.cck

Section # & Req.ID	Plumbing Rough-In Inspection	Complies?	Comments/Assumptions
C404.5, C404.5.1, C404.5.2 [PL6]†	Heated water supply piping conforms to pipe length and volume requirements. Refer to section details.	<input type="checkbox"/> Complies <input type="checkbox"/> Does Not <input type="checkbox"/> Not Observable <input type="checkbox"/> Not Applicable	Requirement will be met.
C404.5, C404.5.1, C404.5.2 [PL6]†	Heated water supply piping conforms to pipe length and volume requirements. Refer to section details.	<input type="checkbox"/> Complies <input type="checkbox"/> Does Not <input type="checkbox"/> Not Observable <input type="checkbox"/> Not Applicable	Requirement will be met.
C404.5, C404.5.1, C404.5.2 [PL6]†	Heated water supply piping conforms to pipe length and volume requirements. Refer to section details.	<input type="checkbox"/> Complies <input type="checkbox"/> Does Not <input type="checkbox"/> Not Observable <input type="checkbox"/> Not Applicable	Requirement will be met.
C404.6.1, C404.6.2 [PL3]†	Automatic time switches installed to automatically switch off the recirculating hot-water system or heat trace.	<input type="checkbox"/> Complies <input type="checkbox"/> Does Not <input type="checkbox"/> Not Observable <input type="checkbox"/> Not Applicable	Requirement will be met.
C404.6.3 [PL7]†	Pumps that circulate water between a heater and storage tank have controls that limit operation from startup to <= 5 minutes after end of heating cycle.	<input type="checkbox"/> Complies <input type="checkbox"/> Does Not <input type="checkbox"/> Not Observable <input type="checkbox"/> Not Applicable	Requirement will be met.
C404.6.3 [PL7]†	Pumps that circulate water between a heater and storage tank have controls that limit operation from startup to <= 5 minutes after end of heating cycle.	<input type="checkbox"/> Complies <input type="checkbox"/> Does Not <input type="checkbox"/> Not Observable <input type="checkbox"/> Not Applicable	Requirement will be met.
C404.6.3 [PL7]†	Pumps that circulate water between a heater and storage tank have controls that limit operation from startup to <= 5 minutes after end of heating cycle.	<input type="checkbox"/> Complies <input type="checkbox"/> Does Not <input type="checkbox"/> Not Observable <input type="checkbox"/> Not Applicable	Requirement will be met.
C404.7 [PL8]†	Demand recirculation water systems have controls that start the pump upon receiving a signal from the action of a user of a fixture or appliance and limits the temperature of the water entering the cold-water piping to 104°F.	<input type="checkbox"/> Complies <input type="checkbox"/> Does Not <input type="checkbox"/> Not Observable <input type="checkbox"/> Not Applicable	Requirement will be met.
C404.7 [PL8]†	Demand recirculation water systems have controls that start the pump upon receiving a signal from the action of a user of a fixture or appliance and limits the temperature of the water entering the cold-water piping to 104°F.	<input type="checkbox"/> Complies <input type="checkbox"/> Does Not <input type="checkbox"/> Not Observable <input type="checkbox"/> Not Applicable	Requirement will be met.
C404.7 [PL8]†	Demand recirculation water systems have controls that start the pump upon receiving a signal from the action of a user of a fixture or appliance and limits the temperature of the water entering the cold-water piping to 104°F.	<input type="checkbox"/> Complies <input type="checkbox"/> Does Not <input type="checkbox"/> Not Observable <input type="checkbox"/> Not Applicable	Requirement will be met.

Additional Comments/Assumptions:

1 High Impact (Tier 1) 2 Medium Impact (Tier 2) 3 Low Impact (Tier 3)

Project Title: Popeye's
 Data filename: C:\Good Sync Projects\Popeye's\C22-129 Cameron, NC\06 MEP\ComCheck\POPEYES.CAMERON, Page 8 of 19
 Report date: 05/25/23
 COMCHECK.cck

COMcheck Software Version 4.1.5.5 Mechanical Compliance Certificate

Project Information
 Energy Code: 2018 IECC
 Project Title: Popeye's
 Location: Cameron, North Carolina
 Climate Zone: 4a
 Project Type: New Construction

Construction Site: 1517 NC 24-87
 Cameron, NC
 Owner/Agent:
 Designer/Contractor:
 The Dimension Group
 10755 Sandhill Road
 Dallas, TX 75238
 214 343 9400

Additional Efficiency Package(s)

Credits: 1.0 Required 1.0 Proposed
 High Performance HVAC, 1.0 credit

Mechanical Systems List

Quantity	System Type & Description
1	HVAC System 2 (Single Zone): Heating: 1 each - Central Furnace, Electric, Capacity = 11 kBtu/h No minimum efficiency requirement applies Cooling: 1 each - Hydronic Coil, Capacity = 60 kBtu/h, Air Economizer No minimum efficiency requirement applies Fan System: None
1	HVAC System 3 (Single Zone): Heating: 1 each - Central Furnace, Electric, Capacity = 44 kBtu/h No minimum efficiency requirement applies Cooling: 1 each - Hydronic Coil, Capacity = 151 kBtu/h, Air Economizer No minimum efficiency requirement applies Fan System: None
1	Water Heater 1: Electric Storage Water Heater, Capacity: 50 gallons w/ Circulation Pump Proposed Efficiency: 0.84 SL, %h (f > 12 kW), Required Efficiency: 0.84 SL, %h (f > 12 kW)

Mechanical Compliance Statement

Compliance Statement: The proposed mechanical design represented in this document is consistent with the building plans, specifications, and other calculations submitted with this permit application. The proposed mechanical systems have been designed to meet the 2018 IECC requirements in COMcheck Version 4.1.5.5 and to comply with any applicable mandatory requirements listed in the Inspection Checklist.

Jennifer Pfankuch - MEP Designer
 Name - Title
 Signature
 Date

Project Title: Popeye's
 Data filename: C:\Good Sync Projects\Popeye's\C22-129 Cameron, NC\06 MEP\ComCheck\POPEYES.CAMERON, Page 4 of 19
 Report date: 05/25/23
 COMCHECK.cck

Section # & Req.ID	Mechanical Rough-In Inspection	Complies?	Comments/Assumptions
C402.2.6 [ME1]†	Thermally ineffective panel surfaces of sensible heating panels have insulation >= R-3.5.	<input type="checkbox"/> Complies <input type="checkbox"/> Does Not <input type="checkbox"/> Not Observable <input type="checkbox"/> Not Applicable	Requirement will be met.
C403.11.3 [ME6]†	HVAC piping insulation insulated in accordance with Table C403.11.3. Insulation exposed to weather is protected from damage and is provided with shielding from solar radiation.	<input type="checkbox"/> Complies <input type="checkbox"/> Does Not <input type="checkbox"/> Not Observable <input type="checkbox"/> Not Applicable	Requirement will be met.
C403.11.3 [ME6]†	HVAC piping insulation insulated in accordance with Table C403.11.3. Insulation exposed to weather is protected from damage and is provided with shielding from solar radiation.	<input type="checkbox"/> Complies <input type="checkbox"/> Does Not <input type="checkbox"/> Not Observable <input type="checkbox"/> Not Applicable	Requirement will be met.
C403.8.1 [ME5]†	HVAC fan systems at design conditions do not exceed allowable fan system motor nameplate hp or fan system bhp.	<input type="checkbox"/> Complies <input type="checkbox"/> Does Not <input type="checkbox"/> Not Observable <input type="checkbox"/> Not Applicable	Requirement will be met. See the Mechanical Systems list for values.
C403.8.1 [ME5]†	HVAC fan systems at design conditions do not exceed allowable fan system motor nameplate hp or fan system bhp.	<input type="checkbox"/> Complies <input type="checkbox"/> Does Not <input type="checkbox"/> Not Observable <input type="checkbox"/> Not Applicable	Requirement will be met. See the Mechanical Systems list for values.
C403.8.3 [ME11]†	Fans have efficiency grade (FEG) >= 67. The total efficiency of the fan at the design point of operation <= 15% of maximum total efficiency of the fan.	<input type="checkbox"/> Complies <input type="checkbox"/> Does Not <input type="checkbox"/> Not Observable <input type="checkbox"/> Not Applicable	Requirement will be met.
C403.8.3 [ME11]†	Fans have efficiency grade (FEG) >= 67. The total efficiency of the fan at the design point of operation <= 15% of maximum total efficiency of the fan.	<input type="checkbox"/> Complies <input type="checkbox"/> Does Not <input type="checkbox"/> Not Observable <input type="checkbox"/> Not Applicable	Requirement will be met.
C403.12.1 [ME7]†	Systems that heat outside the building envelope are radiant heat systems controlled by an occupancy sensing device or timer switch.	<input type="checkbox"/> Complies <input type="checkbox"/> Does Not <input type="checkbox"/> Not Observable <input type="checkbox"/> Not Applicable	Requirement will be met.
C403.2.3 [ME5]†	HVAC equipment efficiency verified.	<input type="checkbox"/> Complies <input type="checkbox"/> Does Not <input type="checkbox"/> Not Observable <input type="checkbox"/> Not Applicable	See the Mechanical Systems list for values.
C403.2.2 [ME9]†	Natural or mechanical ventilation is provided in accordance with International Mechanical Code Chapter 4. Mechanical ventilation has capability to reduce outdoor air supply to minimum per IMC Chapter 4.	<input type="checkbox"/> Complies <input type="checkbox"/> Does Not <input type="checkbox"/> Not Observable <input type="checkbox"/> Not Applicable	Requirement will be met.
C403.7.1 [ME9]†	Demand control ventilation provided for spaces >500 ft2 and >25 people/1000 ft2 occupant density and served by systems with air side economizer, auto modulating outside air damper control, or design airflow >3,000 cfm.	<input type="checkbox"/> Complies <input type="checkbox"/> Does Not <input type="checkbox"/> Not Observable <input type="checkbox"/> Not Applicable	Requirement will be met.

Project Title: Popeye's
 Data filename: C:\Good Sync Projects\Popeye's\C22-129 Cameron, NC\06 MEP\ComCheck\POPEYES.CAMERON, Page 10 of 19
 Report date: 05/25/23
 COMCHECK.cck

ISSUE TABLE

No.	Date (mm/dd/yyyy)	Description

REVISIONS

No.	Date	Description
1	8/01/2023	RESPONSE TO CITY
2	9/04/2023	HEALTH COMMENTS
3	9/12/2023	RESPONSE TO CITY

DRAWINGS REVISED AS PER DESIGN BULLETIN

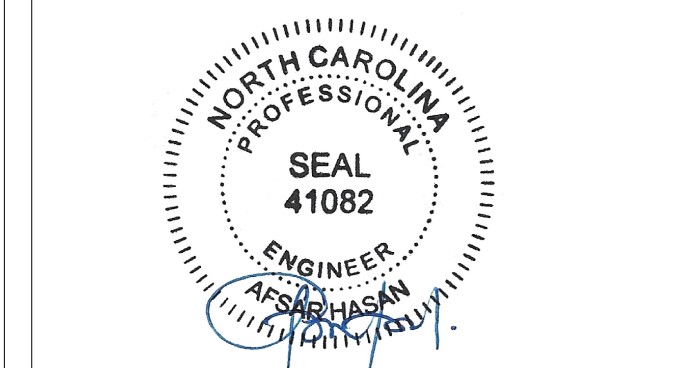
No.	Date	Description



PROJECT NORTH

THIS DRAWING IS OWNED BY OR LICENSED FOR USE BY POPEYES LOUISIANA KITCHEN (OR ITS AFFILIATED OR RELATED COMPANIES) AND MAY NOT BE REPRODUCED, USED, DOWNLOADED, DISSEMINATED, PUBLISHED OR TRANSFERRED IN ANY FORM OR BY ANY MEANS, EXCEPT WITH THE PRIOR WRITTEN CONSENT OF POPEYES LOUISIANA KITCHEN. COPYRIGHT INFRINGEMENT IS A VIOLATION OF FEDERAL LAW SUBJECT TO CRIMINAL AND CIVIL PENALTIES.

THE CONTRACTOR IS TO VERIFY ALL DIMENSIONS AND CONDITIONS ON THE PROJECT AND TO REPORT ANY DISCREPANCIES TO THE POPEYES LOUISIANA KITCHEN REPRESENTATIVE PRIOR TO COMMENCING WORK. THESE DRAWINGS ARE NOT TO BE USED FOR CONSTRUCTION PURPOSES UNLESS INDICATED BY POPEYES LOUISIANA KITCHEN AS "ISSUED FOR CONSTRUCTION".



9.13.2023



Store Type
 US 2112 PROTOTYPE
 2112-21

Location
 1517 NC 24-87
 CAMERON, NC

Drawing Title
 ELECTRICAL ENERGY
 CALCS

Drawn	Checked
JP	AH
Scale	Date
NOT TO SCALE	JUNE 2023
Project No.	Drawing No.
C22-129	E4.1

POPEYES LOUISIANA KITCHEN MODEL 2112, 1517 NC 24-87, CAMERON, NC (JUNE 01, 2023) STORE NO. C22-129

SECTION 16000 – BASIC ELECTRICAL

1. THE WORK COVERED BY DIVISION 16 CONSISTS OF FURNISHING ALL LABOR, EQUIPMENT, SUPPLIES, AND MATERIALS (EXCEPT AS OTHERWISE SPECIFIED OR SHOWN ON THE DRAWINGS) REQUIRED TO PERFORM ALL OPERATIONS NECESSARY FOR THE INSTALLATION OF COMPLETE ELECTRICAL SYSTEMS. ALL WORK SHALL BE IN STRICT ACCORDANCE WITH THE SPECIFICATIONS AND DRAWINGS.
2. COORDINATE ALL WORK WITH OTHER TRADES AND EXISTING CONDITIONS TO PREVENT CONFLICTS CAUSING UNNECESSARY EXPENSE OR DELAYS IN THE INSTALLATION OF WORK. WHEN CONFLICTS ARISE, REMOVE AND RELOCATE ITEMS CAUSING SUCH CONFLICTS AT NO ADDITIONAL COST TO THE OWNER. REFER TO OTHER DISCIPLINE'S DRAWINGS, RELEVANT EQUIPMENT DRAWINGS, AND SHOP DRAWINGS TO DETERMINE AVAILABLE CLEARANCES AND POSSIBLE OBSTRUCTIONS. MAKE ANY NECESSARY OFFSETS OR TRANSITIONS AS REQUIRED TO CLEAR STRUCTURAL MEMBERS, EXISTING EQUIPMENT, ETC. TO FACILITATE INSTALLATION OF THE WORK IN THE MANNER INDICATED.
3. ALL WORK SHALL COMPLY WITH THE LOCALLY ADOPTED ELECTRICAL CODE AND ALL APPLICABLE LAWS, CODES, RECOMMENDATIONS, REGULATIONS, AND INTERIM AMENDMENTS OF THE GOVERNMENTAL BODIES HAVING JURISDICTION INCLUDING ADA COMPLIANCE. ALL ELECTRICAL WORK SHALL BE PERFORMED IN COMPLIANCE WITH ALL APPLICABLE GOVERNING SAFETY REGULATIONS, INCLUDING OSHA REGULATIONS. ALL SAFETY LIGHTS, GUARDS AND SIGNS REQUIRED FOR THE PERFORMANCE OF THE ELECTRICAL WORK SHALL BE PROVIDED BY AND OPERATED BY THE ELECTRICAL CONTRACTOR.
4. THE INTENT OF THE DRAWINGS IS TO INDICATE THE GENERAL EXTENT OF WORK REQUIRED FOR THE PROJECT, THE DRAWINGS FOR ELECTRICAL WORK ARE DIAGRAMMATIC, SHOWING THE LOCATION, TYPE, DEVICES AND EQUIPMENT REQUIRED. THE DRAWINGS SHALL NOT BE SCALED FOR EXACT MEASUREMENTS. PROVIDE ALL FIXTURES, DEVICES, ACCESSORIES, OFFSETS, AND MATERIALS NECESSARY TO FACILITATE THE SYSTEM'S FUNCTIONING AS INDICATED BY THE DESIGN AND THE EQUIPMENT FURNISHED BY OTHERS.
5. ELECTRICAL DESIGN FOR THIS INSTALLATION IS BASED ON FIELD INSPECTIONS AND PREVIOUS DESIGN DRAWINGS FOR THE EXISTING BUILDING. ELECTRICAL CONTRACTOR IS TO FIELD VERIFY EXISTING CONDITIONS PRIOR TO BIDDING. ALLOWANCES ARE TO BE INCLUDED FOR UNFORESEEN EXISTING CONDITIONS THAT MAY AFFECT THE CONTRACTOR'S SCOPE OF WORK. MINOR DEVIATIONS REQUIRED FOR ACCOMPLISHING THE INTENT OF THIS DESIGN IS TO BE INCLUDED IN THIS ALLOWANCE.
6. ELECTRICAL CONTRACTOR TO FIELD VERIFY ALL EXISTING UTILITIES. ANY ITEM DAMAGED BY THIS CONTRACTOR IS TO BE REPAIRED IMMEDIATELY AND AT NO COST TO THE OWNER.
7. ROOF PENETRATIONS SHALL COMPLY WITH "SMACNA" AND "NRC" STANDARDS, AND WITH THE REQUIREMENTS OF THE EXISTING ROOFING WARRANTY, IF APPLICABLE. DO NOT PERFORM ROOFING PENETRATIONS IN A MANNER WHICH WOULD VOID OR OTHERWISE LIMIT THE EXISTING ROOFING WARRANTY.
8. ALL EQUIPMENT AND COMPONENTS FURNISHED AND/OR INSTALLED SHALL BE LISTED AND LABELED BY A NATIONALLY RECOGNIZED TESTING LABORATORY (NRTL).
9. TEMPORARY ELECTRICAL SERVICE:
 - A. PROVIDE TEMPORARY ELECTRICAL SERVICE FOR POWER AND LIGHTING DURING CONSTRUCTION. MAINTAIN DURING CONSTRUCTION AND REMOVE SERVICE AFTER CONSTRUCTION IS COMPLETED. THE TEMPORARY SYSTEM SHALL CONSIST OF AN ELECTRICAL SERVICE, DISTRIBUTION SYSTEM, LOAD-CENTER PANEL, GROUNDING, 15 AMP AND/OR 20 AMP BRANCH CIRCUITS, GROUNDED TYPE RECEPTACLES AND LIGHTING FIXTURES.
 - B. PROVIDE AND INSTALL SUFFICIENT NUMBER OF TEMPORARY LIGHT FIXTURES FOR A SAFE INSTALLATION FOR ALL TRADES THROUGHOUT THE BUILDING. ALL LAMPS FOR GENERAL ILLUMINATION SHALL BE PROTECTED FROM ACCIDENTAL CONTACT OR BREAKAGE BY SUITABLE FIXTURE OR LAMPHOLDER WITH A GUARD. (NO EXCEPTIONS.)
10. WARRANTIES:
 - A. CONTRACTOR SHALL WARRANT ALL WORK PERFORMED AND MATERIAL & LABOR PROVIDED UNDER THE CONTRACT AGAINST DEFECTS IN MATERIAL AND WORKMANSHIP FOR ONE YEAR FROM SUBSTANTIAL COMPLETION. PROVIDE ALL SERVICES AS REQUIRED TO IMMEDIATELY REPAIR OR REPLACE, AT NO ADDITIONAL COST, ANY DEFECTIVE PART OF THE INSTALLATION RESULTING FROM THE SUPPLY OF FAULTY WORKMANSHIP OR MATERIAL, LACK OF MAINTENANCE, ACCIDENTS, OR CARELESSNESS ON THE PART OF THE OWNER SHALL NOT BE INCLUDED IN THIS WARRANTY.
 - B. ALL LAMPS ARE TO BE WARRANTED ACCORDING TO LAMP MANUFACTURER, WHICH IS ALSO BASED ON AVERAGE LIFE DATA FOR EACH SPECIFIC TYPE OF LAMP. PROVIDE LABOR TO REPLACE ALL DEFECTIVE LAMPS THAT ARE WITHIN LAMP MANUFACTURER'S WARRANTY PERIOD.
 - C. ALL EQUIPMENT, APPARATUS AND APPLIANCES WHICH ARE SPECIFIED AND/OR COME WITH WARRANTIES LONGER THAN ONE YEAR SHALL BE REGISTERED WITH THE MANUFACTURER IN THE OWNER'S NAME.

11. EXCAVATION:
 - A. PROVIDE ALL EXCAVATION AND BACKFILL AS NECESSARY TO INSTALL THE CONDUIT SYSTEMS AS SHOWN ON THE DRAWINGS.
 - B. CARE SHALL BE TAKEN IN EXCAVATING THAT WALLS AND FOOTINGS AND ADJACENT LOAD BEARING SOILS ARE NOT DISTURBED IN ANY WAY. WHERE RACEWAYS MUST CROSS UNDER A WALL FOOTING, THE EXCAVATION SHALL BE KEPT AT A MINIMUM.
 - C. CONDUIT SHALL BE SUPPORTED DIRECTLY ON UNDISTURBED SOIL, DO NOT EXCAVATE BEYOND INDICATED DEPTH. IF EXISTING SOIL IS UNSUITABLE (SOFT SPOT OR ROCK), EXCAVATE TO SOLID SUBGRADE, OR 6" FOR ROCK, BELOW BOTTOM OF WORK AND PROVIDE SUB-BASE MATERIAL AS REQUIRED.
 - D. IMMEDIATELY AFTER INSTALLATION, THE TRENCH SHALL BE CAREFULLY BACKFILLED WITH EARTH FREE FROM CLODS, BRICK, ETC. TO A DEPTH ONE-HALF THE RACEWAY DIAMETER AND THEN FIRMLY TAMPED IN SUCH A MANNER AS NOT TO DISTURB ALIGNMENT OR JOINTS OF THE CONDUIT. THEREAFTER THE BACKFILL SHALL BE TAMPED EVERY VERTICAL FOOT.
12. CUTTING AND PATCHING:
 - A. NO STRUCTURAL MEMBERS SHALL BE CUT, DRILLED, OR PENETRATED WITHOUT PRIOR APPROVAL FROM THE ARCHITECT.
 - B. PROVIDE CUTTING, PATCHING, AND PATCH PAINTING IN EXISTING STRUCTURES, AS REQUIRED FOR THE INSTALLATION OF WORK OF THIS SECTION. EXTENT OF CUTTING SHALL BE MINIMIZED. USE CORE DRILLS, POWER SAWS, AND OTHER MACHINES WHICH WILL PROVIDE NEAT, MINIMUM OPENINGS. REFER TO STRUCTURAL DRAWINGS FOR LINTELS AND SUPPORTS TO BE FURNISHED BY OTHERS FOR THE ELECTRICAL WORK. ALL OTHER LINTELS AND SUPPORTS REQUIRED FOR THE ELECTRICAL WORK SHALL BE FURNISHED BY DIVISION 16. PATCHING SHALL MATCH AND EQUAL ADJACENT MATERIALS AND SURFACES AND SHALL BE PERFORMED BY CRAFTSMEN SKILLED IN THE RESPECTIVE CRAFT REQUIRED. PATCHED FINISHES SHALL BE APPROVED BY THE ARCHITECT.
 - C. ALL PUBLIC AND PRIVATE PROPERTY DAMAGED AS A RESULT OF WORK PERFORMED UNDER THIS CONTRACT SHALL BE REPAIRED AND REPLACED BY THIS CONTRACTOR, TO THE SATISFACTION OF THE AUTHORITIES HAVING REGULATORY JURISDICTION AND BUILDING OWNER.

SECTION 16060 – GROUNDING

1. EXTENT OF ELECTRICAL GROUNDING AND BONDING WORK IS INDICATED BY DRAWINGS AND AS SPECIFIED HEREIN. GROUNDING AND BONDING WORK IS DEFINED TO ENCOMPASS SYSTEMS, CIRCUITS, AND EQUIPMENT.
2. EXCEPT AS OTHERWISE INDICATED, PROVIDE ELECTRICAL GROUNDING AND BONDING SYSTEMS INDICATED WITH ASSEMBLY OF MATERIALS, INCLUDING, BUT NOT LIMITED TO, CABLES/WIRES, CONNECTORS, SOLDERLESS LUG TERMINALS, GROUNDING ELECTRODES AND PLATE ELECTRODES, BONDING JUMPER BRAID, AND ADDITIONAL ACCESSORIES NEEDED FOR A COMPLETE INSTALLATION. WHERE MORE THAN ONE TYPE COMPONENT PRODUCT MEETS INDICATED REQUIREMENTS, SELECTION IS INSTALLER'S OPTION. WHERE MATERIALS OR COMPONENTS ARE NOT INDICATED, PROVIDE PRODUCTS WHICH COMPLY WITH BUILDING CODES, UL, AND IEEE REQUIREMENTS AND WITH ESTABLISHED INDUSTRY STANDARDS FOR THOSE APPLICATIONS INDICATED.
3. INSTALL ELECTRICAL GROUNDING AND BONDING SYSTEMS AS INDICATED, IN ACCORDANCE WITH MANUFACTURER'S INSTRUCTIONS AND APPLICABLE PORTIONS OF THE BUILDING CODES, NECA'S "STANDARD OF INSTALLATION", AND IN ACCORDANCE WITH RECOGNIZED INDUSTRY PRACTICES TO ENSURE THAT PRODUCTS COMPLY WITH REQUIREMENTS.
4. RACEWAY SYSTEMS SHALL NOT BE USED AS GROUNDING METHOD. ALL BRANCH AND NEUTRAL CONDUCTORS, SIZE OF GROUND CONDUCTOR TO BE IN ACCORDANCE WITH THE ADOPTED ELECTRICAL CODE. TERMINATE FEEDER AND BRANCH CIRCUIT INSULATED EQUIPMENT GROUNDING CONDUCTORS WITH GROUNDING LUG, BUS, OR BUSHING.
5. INSTALLATION OF ELECTRICAL GROUNDING AND BONDING SYSTEMS:
 - A. GROUNDING ELECTRODE CONDUCTORS, WHERE NOT INSTALLED AS PART OF A BRANCH CIRCUIT OR FEEDER, SHALL BE INSTALLED IN PVC CONDUIT, TO PROTECT THE WIRING FROM PHYSICAL DAMAGE.
 - B. CONNECT GROUNDING ELECTRODE CONDUCTORS TO METAL COLD WATER PIPE AND ALL OTHER TYPES OF METAL PIPING WITHIN THE BUILDING USING A SUITABLY SIZED GROUND CLAMP. PROVIDE CONNECTIONS TO FLANGED PIPING TO STREET SIDE OF FLANGE. PROVIDE BONDING AS DESCRIBED IN ADOPTED ELECTRICAL CODE INCLUDING BONDING JUMPER AROUND WATER METER.
 - C. CONNECT TOGETHER SYSTEM NEUTRAL, SERVICE EQUIPMENT ENCLOSURES, EXPOSED NON-CARRIED METAL PARTS OF ELECTRICAL EQUIPMENT, METAL RACEWAY SYSTEMS, GROUNDING CONDUCTOR IN RACEWAYS AND CABLES, RECEPTACLE GROUND CONNECTORS, AND PLUMBING SYSTEMS.
 - D. THE UTILITY COMPANY METER SOCKET SHALL BE GROUNDED TO A 1/2" X 10' COPPER CLAD STEEL GROUND ROD WITH COPPER WIRE INSTALLED IN P.V.C. CONDUIT. THE GROUND ROD SHALL BE DRIVEN INTO THE EARTH WITH THE TOP 1'-0" BELOW GRADE, AS NEAR AS POSSIBLE TO THE LOCATION OF THE METER SOCKET WITH THE TOP 1'-0" BELOW FINISHED GRADE.

SECTION 16075 – IDENTIFICATION

1. ENGRAVED, PLASTIC-LAMINATED LABELS, SIGNS, AND INSTRUCTION PLATES: ENGRAVING STOCK MELAMINE PLASTIC LAMINATE, 1/16-INCH MINIMUM THICK FOR SIGNS UP TO 20 SQUARE INCHES, OR 8 INCHES IN LENGTH; 1/8-INCH THICK FOR LARGER SIZES. ENGRAVED LEGEND IN WHITE LETTERS ON BLACK FACE AND PUNCHED FOR MECHANICAL FASTENERS.
2. CABLE TIES: FUNGUS-INERT, SELF-EXTINGUISHING, ONE-PIECE, SELF-LOCKING NYLON CABLE TIES, 0.18-INCH MINIMUM WIDTH, 50-LB MINIMUM TENSILE STRENGTH, AND SUITABLE FOR A TEMPERATURE RANGE FROM MINUS 50 F TO 350 F. PROVIDE TIES IN SPECIFIED COLORS WHEN USED FOR COLOR-CODING.
3. SELF ADHESIVE, COMMERCIALY AVAILABLE ARC FLASH HAZARD LABELS. LABELS TO CONFORM TO THE ADOPTED ELECTRICAL CODE AND A.N.S.I. 2535.4.
4. CONDUCTOR COLOR CODING: PROVIDE COLOR CODING FOR SECONDARY SERVICE, FEEDER, AND BRANCH CIRCUIT CONDUCTORS THROUGHOUT THE PROJECT SECONDARY ELECTRICAL SYSTEM PER WIRES AND CABLING SECTION.
5. APPLY EQUIPMENT IDENTIFICATION LABELS OF ENGRAVED PLASTIC-LAMINATE ON EACH MAJOR UNIT OF ELECTRICAL EQUIPMENT IN BUILDING, INCLUDING CENTRAL OR MAJOR UNIT OF EACH ELECTRICAL SYSTEM. THIS INCLUDES COMMUNICATION/SIGNAL/ALARM SYSTEMS, UNLESS UNIT IS SPECIFIED WITH ITS OWN SELF-EXPLANATORY IDENTIFICATION. EXCEPT AS OTHERWISE INDICATED, PROVIDE SINGLE LINE OF TEXT, WITH 1/4-INCH-HIGH LETTERING ON 1-INCH-HIGH LABEL (1-1/2-INCH-HIGH WHERE TWO LINES ARE REQUIRED), WHITE LETTERING IN BLACK FIELD. TEXT SHALL MATCH TERMINOLOGY AND NUMBERING OF THE CONTRACT DOCUMENTS AND SHOP DRAWINGS. APPLY LABELS FOR EACH UNIT OF THE FOLLOWING CATEGORIES OF ELECTRICAL EQUIPMENT.
 - A. PANELBOARDS, ELECTRICAL CABINETS, AND ENCLOSURES
 - B. ELECTRICAL SWITCHGEAR AND SWITCHBOARDS
 - C. MOTOR STARTERS AND/OR VFDs FURNISHED BY THIS CONTRACTOR
 - D. DISCONNECT SWITCHES
 - E. CONTACTORS

SECTION 16075 – IDENTIFICATION

1. ENGRAVED, PLASTIC-LAMINATED LABELS, SIGNS, AND INSTRUCTION PLATES: ENGRAVING STOCK MELAMINE PLASTIC LAMINATE, 1/16-INCH MINIMUM THICK FOR SIGNS UP TO 20 SQUARE INCHES, OR 8 INCHES IN LENGTH; 1/8-INCH THICK FOR LARGER SIZES. ENGRAVED LEGEND IN WHITE LETTERS ON BLACK FACE AND PUNCHED FOR MECHANICAL FASTENERS.
2. CABLE TIES: FUNGUS-INERT, SELF-EXTINGUISHING, ONE-PIECE, SELF-LOCKING NYLON CABLE TIES, 0.18-INCH MINIMUM WIDTH, 50-LB MINIMUM TENSILE STRENGTH, AND SUITABLE FOR A TEMPERATURE RANGE FROM MINUS 50 F TO 350 F. PROVIDE TIES IN SPECIFIED COLORS WHEN USED FOR COLOR-CODING.
3. SELF ADHESIVE, COMMERCIALY AVAILABLE ARC FLASH HAZARD LABELS. LABELS TO CONFORM TO THE ADOPTED ELECTRICAL CODE AND A.N.S.I. 2535.4.
4. CONDUCTOR COLOR CODING: PROVIDE COLOR CODING FOR SECONDARY SERVICE, FEEDER, AND BRANCH CIRCUIT CONDUCTORS THROUGHOUT THE PROJECT SECONDARY ELECTRICAL SYSTEM PER WIRES AND CABLING SECTION.
5. APPLY EQUIPMENT IDENTIFICATION LABELS OF ENGRAVED PLASTIC-LAMINATE ON EACH MAJOR UNIT OF ELECTRICAL EQUIPMENT IN BUILDING, INCLUDING CENTRAL OR MASTER UNIT OF EACH ELECTRICAL SYSTEM. THIS INCLUDES COMMUNICATION/SIGNAL/ALARM SYSTEMS, UNLESS UNIT IS SPECIFIED WITH ITS OWN SELF-EXPLANATORY IDENTIFICATION. EXCEPT AS OTHERWISE INDICATED, PROVIDE SINGLE LINE OF TEXT, WITH 1/4-INCH-HIGH LETTERING ON 1-INCH-HIGH LABEL (1-1/2-INCH-HIGH WHERE TWO LINES ARE REQUIRED), WHITE LETTERING IN BLACK FIELD. TEXT SHALL MATCH TERMINOLOGY AND NUMBERING OF THE CONTRACT DOCUMENTS AND SHOP DRAWINGS. APPLY LABELS FOR EACH UNIT OF THE FOLLOWING CATEGORIES OF ELECTRICAL EQUIPMENT.
 - A. PANELBOARDS, ELECTRICAL CABINETS, AND ENCLOSURES
 - B. ELECTRICAL SWITCHGEAR AND SWITCHBOARDS
 - C. MOTOR STARTERS AND/OR VFDs FURNISHED BY THIS CONTRACTOR
 - D. DISCONNECT SWITCHES
 - E. CONTACTORS

SECTION 16120 – WIRES AND CABLES

1. CONDUCTORS: PROVIDE SOLID CONDUCTORS FOR POWER AND LIGHTING CIRCUITS NO. 10 AWG AND SMALLER. PROVIDE STRANDED CONDUCTORS FOR SIZES NO. 8 AWG AND LARGER.
2. CONDUCTOR MATERIAL: COPPER FOR ALL WIRES AND CABLES.
3. INSULATION: PROVIDE THHN/THWN INSULATION FOR ALL CONDUCTORS NO. 14 AWG THRU NO. 10 AWG. FOR ALL OTHER SIZES PROVIDE THHN/THWN OR XHHW INSULATION AS APPROPRIATE FOR THE LOCATION WHERE INSTALLED.
4. ALUMINUM CONDUCTORS ARE NOT APPROVED OR ACCEPTABLE.
5. ALUMINUM CONDUCTORS:
 - A. AT THE CONTRACTOR'S OPTION, ALUMINUM CONDUCTORS WILL BE ALLOWED FOR COPPER SIZES RATED FOR 100 AMPERES AND LARGER BUT, SIZE MUST BE INCREASED TO EQUAL OR EXCEED THE COPPER AMPACITY IN ACCORDANCE WITH ADOPTED ELECTRICAL CODE. RACEWAY AND PULL BOXES MUST BE INCREASED TO CONFORM TO ADOPTED ELECTRICAL CODE. ALL ALUMINUM CONDUCTORS MUST BE MADE BASED ON COMPACT STRANDED, AA-8000 SERIES ALUMINUM ALLOY MATERIAL EQUAL TO "STABILLOY" ALCAN CABLE.
 - B. IF ALUMINUM CABLE IS TO BE INSTALLED ON THIS PROJECT, CONTRACTOR IS TO NOTIFY ENGINEER IN WRITING, AT TIME OF SUBMITTAL DRAWINGS. CONTRACTOR IS TO LIST ALL FEEDERS THAT WILL BE CHANGED TO ALUMINUM, AND INDICATE THE REVISED ALUMINUM CONDUCTOR SIZE.
 - C. CONNECTORS AND TERMINATIONS INSTALLED WITH ALUMINUM-ALLOY CONDUCTORS SHALL BE COMPRESSION TYPE ONLY, AND ONLY THOSE LISTED BY UNDERWRITER'S LABORATORIES STRANDED 486-B AND MARKED "AL7CU" FOR 75C RATED CIRCUITS.
 - D. IF THE CONTRACTOR DECIDES TO EXERCISE THE OPTION OF ALUMINUM CONDUCTORS FOR CONNECTIONS TO EQUIPMENT PROVIDED AND/OR INSTALLED BY OTHER TRADES, THEN THIS CONTRACTOR SHALL REIMBURSE THE EQUIPMENT SUPPLIER FOR ANY COST ASSOCIATED WITH THE MODIFICATIONS REQUIRED TO THAT EQUIPMENT.
 - E. ENDS OF ALL CONDUCTORS ARE TO BE BRUSHED CLEAN AND PRIOR TO FINAL CONNECTION, EXPOSED PORTION OF CONDUCTOR TO BE COVERED WITH ALUMINUM OXIDE INHIBITOR. CONDUCTOR TERMINATION MADE WITH SET-SCREW TERMINAL LUGS ARE TO BE TORQUED, USING A TORQUE WRENCH, IN ACCORDANCE WITH LUG MANUFACTURER SPECIFICATIONS OR ACCORDING TO UL STANDARD 486B. AT THE COMPLETION OF THE PROJECT CONTRACTOR IS TO CHECK TORQUE VALUES ON ALL ALUMINUM TERMINATIONS. CONTRACTOR IS TO SUBMIT IN WRITING, AT TIME OF RECORD DRAWINGS, A COMPLETE LIST OF APPLIED TORQUE VALUES FOR ALL ALUMINUM TERMINATIONS.
6. VARIABLE FREQUENCY DRIVE CABLES: WHERE A VFD IS INSTALLED, PROVIDE A VFD CABLING SYSTEM FROM THE VFD TO THE CONTROLLED EQUIPMENT MANUFACTURED MEETING THE FOLLOWING SPECIFICATIONS:
 - 6.1. ASTM B3 AND B8
 - 6.2. UL 44, UL 1277
 - 6.3. COLOR CODE PER ICSA S-58-679 METHOD 4
 - 6.4. IEEE 1202/FT4 FLAME TEST
 - 6.5. CONDUCTORS SHALL BE CLASS B STRANDED, UNCOATED ANNEALED COPPER; EACH CONDUCTOR SHALL BE INSULATED WITH BLACK POLYETHYLENE. A 5 MIL UNCOATED COPPER TAPE SHIELD, HELICALLY WRAPPED OVER THE TWISTED ASSEMBLY WITH A 50% OVERLAP AND IN CONTACT WITH THE GROUND WIRE. WITH A FLAME RETARDANT PUV JACKET OUTER JACKET.

1. INSTALLATION OF WIRES AND CABLES:

- A. ALL BRANCH CIRCUIT WIRES, FEEDER CABLES, ETC., SHALL BE CONTINUOUS FROM OUTLET TO OUTLET. NO JOINTS SHALL BE MADE EXCEPT IN OUTLET, JUNCTION OR PULL BOXES, PANELBOARD AND SWITCHBOARD GUTTERS. FOR THE SPLICING OF EXISTING FEEDER CONDUCTORS, COMPRESSION TYPE BUTT SPLICES WITH COLD SHRINK INSULATION KITS ARE TO BE USED.
- B. TIGHTEN ELECTRICAL CONNECTORS AND TERMINALS, INCLUDING SCREWS AND BOLTS, IN ACCORDANCE WITH MANUFACTURER'S PUBLISHED TORQUE TIGHTENING VALUES. WHERE MANUFACTURER'S TORQUE REQUIREMENTS ARE NOT INDICATED, TIGHTEN CONNECTORS AND TERMINALS TO COMPLY WITH TIGHTENING TORQUE'S SPECIFIED IN UL 486A AND UL 486B.
- C. TERMINALS ON SWITCHES AND CONVENIENCE OUTLETS SHALL NOT BE USED TO "FEED THROUGH" TO THE NEXT SWITCH OR OUTLET. WHERE MORE THAN ONE GROUND, COMMON NEUTRAL, OR COMMON PHASE CONDUCTOR ENTERS A BOX, ALL LUG CONDUCTORS SHALL BE IN GOOD ELECTRICAL CONTACT WITH EACH OTHER AND THE ARRANGEMENT SHALL BE SUCH THAT THE DISCONNECTING OR REMOVAL OF A DEVICE FED FROM THE BOX, WILL NOT INTERFERE WITH OR INTERRUPT SERVICE TO THE REMAINDER OF THE BRANCH CIRCUIT WIRING.

208Y/120 VOLTS NORMAL	PHASE
BLACK	A
RED	B
BLUE	C
WHITE	NEUTRAL
GREEN	GROUND
GREEN W/ YELLOW STRIP	ISOLATED GROUND

SECTION 16130 – RACEWAYS

1. THIS SECTION INCLUDES RACEWAYS FOR ELECTRICAL WIRING. TYPES OF RACEWAYS IN THIS SECTION INCLUDE THE FOLLOWING:
 - A. ELECTRICAL METALLIC TUBING (EMT)
 - B. INTERMEDIATE METAL CONDUIT (IMC)
 - C. FLEXIBLE METAL CONDUIT
 - D. LIQUID-TIGHT FLEXIBLE CONDUIT
 - E. RIGID METAL CONDUIT
 - F. RIGID NONMETALLIC CONDUIT (PVC)
 - G. SURFACE RACEWAYS
 - H. WIREWAY
 - I. METAL CLAD (MC) AND ALUMINUM CLAD (AC) CABLE
2. WIREWAYS:
 - A. ELECTRICAL WIREWAYS SHALL BE OF TYPES, SIZES, AND NUMBER OF CHANNELS AS INDICATED. FITTINGS AND ACCESSORIES INCLUDING BUT NOT LIMITED TO COUPLINGS, OFFSETS, ELBOWS, EXPANSION JOINTS, ADAPTERS, HOLD-DOWN STRAPS, AND END CAPS SHALL MATCH AND MATE WITH WIREWAY AS REQUIRED FOR A COMPLETE SYSTEM. WHERE FEATURES ARE NOT INDICATED, SELECT TO FULFILL WIRING REQUIREMENTS AND COMPLY WITH APPLICABLE PROVISIONS OF ADOPTED ELECTRICAL CODE.
4. SURFACE RACEWAYS:
 - A. SIZES AND CHANNELS AS INDICATED, MINIMUM SIZE TO BE EQUAL TO WIREMOLD #500 SERIES. PROVIDE FITTINGS THAT MATCH AND MATE WITH RACEWAY. CONSTRUCT OF GALVANIZED STEEL WITH SNAP-ON COVERS, WITH 1/8-INCH MOUNTING SCREW KNOCKOUTS IN BASE APPROXIMATELY 8 INCHES ON-CENTER. FINISH WITH MANUFACTURER'S STANDARD PRIME COATING SUITABLE FOR PAINTING. PROVIDE RACEWAYS OF TYPE SUITABLE FOR EACH APPLICATION REQUIRED.
5. WIRING METHOD:
 - A. OUTDOORS: USE THE FOLLOWING WIRING METHODS:
 - A.1. EXPOSED: INTERMEDIATE METAL CONDUIT.
 - A.2. CONCEALED: INTERMEDIATE METAL CONDUIT.
 - A.3. UNDERGROUND, RIGID NONMETAL CONDUIT.
 - A.4. CONNECTION TO VIBRATING EQUIPMENT, INCLUDING TRANSFORMERS AND HYDRAULIC, PNEUMATIC OR ELECTRIC SOLENOID OR MOTOR-DRIVEN EQUIPMENT: LIQUID-TIGHT FLEXIBLE METAL CONDUIT.
 - A.5. INDOORS OR OUTDOORS: CONNECTION TO VIBRATING EQUIPMENT AND HYDRAULIC, PNEUMATIC, OR ELECTRIC SOLENOID OR MOTOR-DRIVEN EQUIPMENT IN MOIST OR HUMID LOCATION OR CORROSIVE ATMOSPHERE, OR WHERE SUBJECT TO WATER SPRAY OR DRIPPING OIL, GREASE, OR WATER: LIQUID-TIGHT FLEXIBLE METAL CONDUIT.
 - B. INDOORS: USE THE FOLLOWING WIRING METHODS:
 - B.1. CONNECTION TO VIBRATING EQUIPMENT, INCLUDING TRANSFORMERS AND HYDRAULIC OR PNEUMATIC OR ELECTRIC SOLENOID OR MOTOR-OPERATED EQUIPMENT: FLEXIBLE METAL CONDUIT.
 - B.2. EXPOSED: ELECTRICAL METALLIC TUBING CONDUIT.
 - B.3. CONCEALED: ELECTRICAL METALLIC TUBING.
 - B.4. CONCEALED IN CONCRETE EMBEDDED, STRUCTURAL INTERIOR WALLS, OR ROOF DECK PENETRATIONS: INTERMEDIATE METAL OR RIGID METAL CONDUIT.
 - B.5. UNDER CONCRETE FLOOR (SLAB ON GRADE): INTERMEDIATE METAL OR RIGID METAL CONDUIT.
 - C. P.V.C. CONDUIT CAN BE INSTALLED BELOW FLOOR SLAB INDOORS, ONLY IF RIGID STEEL ELBOWS ARE USED WHEN PASSING THRU FLOOR SLAB. MINIMUM SIZE P.V.C. CONDUIT THAT CAN BE INSTALLED IS 3/4" UNLESS NOTED OTHERWISE. ALL P.V.C. CONDUIT JOINTS ARE TO BE GLUED AND SEALED TO PREVENT MOISTURE FROM ENTERING RACEWAY SYSTEM. CONDUITS FOUND TO CONTAIN MOISTURE WILL BE REPAIRED OR REPLACED AS REQUIRED PRIOR TO INSTALLATION OF CONDUCTORS.
 - D. METAL CLAD (MC) AND ALUMINUM CLAD (AC) CABLE
 - D.1. MC AND AC CABLE MAY BE USED IN LIEU OF E.M.T. CONDUIT IF ACCEPTABLE TO LOCAL AUTHORITIES AND INSTALLED PER ELECTRICAL CODE REGARDING SUPPORT, GROUNDING AND ANCHOR TERMINATIONS. ALL MC AND AC CABLE NOT INSTALLED PER THE ADOPTED CODE SHALL BE REMOVED, REINSTALLED AND CORRECTED AT CONTRACTOR'S EXPENSE WITH NO EXTENSION IN THE CONSTRUCTION SCHEDULE.
 - D.2. MC AND AC CABLE MUST BE SUPPORTED AND SECURED BY STAPLES, CABLE TIES, STRAPS, HANGERS OR SIMILAR FITTINGS, DESIGNED AND INSTALLED SO AS NOT TO DAMAGE THE CABLE.
 - D.3. MC AND AC CABLE, WITH FOUR OR LESS CONDUCTORS SIZED NO LARGER THAN 10 AWG, MUST BE SECURED WITHIN 12 IN. OF EVERY OUTLET BOX, JUNCTION BOX, CABINET, OR FITTING AND AT INTERVALS NOT EXCEEDING 6 FT.
 - D.4. MC AND AC CABLE MUST BE SUPPORTED AT INTERVALS NOT EXCEEDING 6 FT. CABLES INSTALLED HORIZONTALLY THROUGH WOODEN OR METAL FRAMING MEMBERS ARE CONSIDERED SECURED AND SUPPORTED WHERE SUCH SUPPORT DOESN'T EXCEED 6 FT INTERVALS.
 - D.5. MAY NOT BE USED IN EXTERIOR APPLICATIONS
6. CONDUIT SHALL BE INSTALLED AS A COMPLETE SYSTEM, CONTINUOUS FROM OUTLET TO OUTLET, CABINET OR FITTING, AND BE SO MECHANICALLY AND ELECTRICALLY CONNECTED THAT ADEQUATE ELECTRICAL CONTINUITY FROM ONE CONDUIT TO ANOTHER IS SECURED. THE ENTIRE SYSTEMS SHALL BE SECURELY FASTENED IN PLACE WITHIN 3' OF EACH OUTLET OR JUNCTION BOX, CABINET OR FITTING, AND AT INTERVALS NOT EXCEEDING 10', EXCEPT AS OTHERWISE SPECIFIED OR SHOWN. SINGLE CONDUITS FOR FEEDERS SHALL BE HUNG WITH GRINNEL, CRANE, OR EQUAL, MALLEABLE SPLIT RING HANGERS WITH ROD SUSPENSION SPACED NOT OVER 10' APART FROM CONSTRUCTION ABOVE. GROUPS OF HORIZONTAL FEEDER AND BRANCH CIRCUIT CONDUITS SHALL BE CLAMPED TO UNISTRUT, OR EQUAL, STEEL CHANNELS AND SUSPENDED FROM RODS SUPPORTED FROM STRUCTURE, SPACED NOT OVER 10' APART FROM CONSTRUCTION ABOVE. WHERE POSSIBLE CONDUITS MAY BE CLAMPED DIRECTLY TO THE STEEL JOISTS.
7. USE RACEWAY FITTINGS THAT ARE OF TYPES COMPATIBLE WITH THE ASSOCIATED RACEWAY AND SUITABLE FOR THE USE AND LOCATION. FOR INTERMEDIATE METAL CONDUIT, USE THREADED RIGID STEEL CONDUIT FITTINGS. FOR EMT CONDUITS, FITTINGS ARE TO BE COMPRESSION OR SET SCREW TYPE.
8. INSTALL PULL WIRES IN EMPY RACEWAYS. USE NO. 14 AWG ZINC-COATED STEEL OR MONOFILAMENT PLASTIC LINE HAVING NOT LESS THAN 200-LB TENSILE STRENGTH. LEAVE NOT LESS THAN 12 INCHES OF SLACK AT EACH END OF THE PULL WIRE.
9. TELEPHONE AND SIGNAL SYSTEM RACEWAYS 2-INCH TRADE SIZE AND SMALLER: IN ADDITION TO THE ABOVE REQUIREMENTS, INSTALL RACEWAYS IN MAXIMUM LENGTHS OF 150 FEET AND WITH A MAXIMUM OF TWO, 90 BENDS OR EQUIVALENT. INSTALL PULL OR JUNCTION BOXES WHERE NECESSARY TO COMPLY WITH THESE REQUIREMENTS.
10. ALL CONDUITS ABOVE LAY-IN CEILING SYSTEM SHALL NOT BE SUPPORTED FROM CEILING SUSPENSION WIRES.
11. PROVIDE 36" MINIMUM RADIUS RIGID STEEL CONDUIT ELBOWS FOR PRIMARY SERVICE CONDUITS UNDER THE TRANSFORMER PAD.
12. CONDUITS CAPPED OFFSIDE OF BUILDING FOR FUTURE ADDITION SHALL BE A MINIMUM OF 1'-6" BELOW FINISH GRADE, CAPPED AND PAINTED WITH BITUMINOUS PAINT, WHICH SHALL BE THOROUGHLY DRY, BEFORE BACKFILL IS INSTALLED.
13. METAL CLAD (MC) AND ALUMINUM CLAD (AC) CABLES:
 - A. ALL HOMERUNS TO PANELBOARDS SHALL REMAIN IN E.M.T. CONDUIT.
 - B. MC AND AC CABLES SHALL NOT BE USED IN EXPOSED AREAS.
 - C. ALL FITTINGS SHALL BE LISTED FOR USE WITH MC AND AC CABLE.
 - D. CONDUCTORS IN MC AND AC CABLE SHALL COMPLY WITH SECTION "WIRES & CABLES".

SECTION 16135 – CABINETS, BOXES AND FITTINGS

1. THIS SECTION INCLUDES CABINETS, BOXES, AND FITTINGS FOR ELECTRICAL INSTALLATIONS AND CERTAIN TYPES OF ELECTRICAL FITTINGS NOT COVERED IN OTHER SECTIONS
2. METAL OUTLET, DEVICE, AND SMALL WIRING BOXES:
 - A. GENERAL: CONFORM TO UL 514A, "METALLIC OUTLET BOXES, ELECTRICAL," AND UL 514B, "FITTINGS FOR CONDUIT AND OUTLET BOXES." BOXES SHALL BE OF TYPE, SHAPE, SIZE, AND DEPTH TO SUIT EACH LOCATION AND APPLICATION.
 - B. STEEL BOXES: CONFORM TO NEMA OS 1, "SHEET STEEL OUTLET BOXES, DEVICE BOXES, COVERS, AND BOX SUPPORTS." BOXES SHALL BE SHEET STEEL WITH STAMPED KNOCKOUTS, THREADED SCREW HOLES AND ACCESSORIES SUITABLE FOR EACH LOCATION INCLUDING MOUNTING BRACKETS AND STRAPS, CABLE CLAMPS, EXTERIOR RINGS AND FIXTURE STUDS.
3. PULL AND JUNCTION BOXES:
 - A. CAST-IRON FLOOR BOXES: FULLY ADJUSTABLE, WATERPROOF, WITH THREADED RACEWAY ENTRANCES, RECTANGULAR BOX OPENING, ADJUSTING RINGS, GASKETS, BRASS FLOOR PLATES, AND POLYCARBONATE CARPET FLANGE. WHERE INDICATED, PROVIDE MULTI-SECTION BOXES WITH INDIVIDUAL HINGED SECTIONS COVERS AND PROVIDE FOR A DUPLEX RECEPTACLE UNDER ONE OR MORE OF THE COVERS.
 - B. STEEL BOXES: SHEET STEEL WITH WELDED SEAMS. WHERE NECESSARY TO PROVIDE A RIGID ASSEMBLY, CONSTRUCT WITH INTERNAL STRUCTURAL STEEL BRACING.
 - C. HOT-DIPPED GALVANIZED STEEL BOXES: SHEET STEEL WITH WELDED SEAMS. WHERE NECESSARY TO PROVIDE A RIGID ASSEMBLY, CONSTRUCT WITH INTERNAL STRUCTURAL STEEL BRACING.
4. CABINETS:
 - A. COMPLY WITH UL 50, "ELECTRICAL CABINETS AND BOXES." SHEET STEEL, NEMA 1 CLASS EXCEPT AS OTHERWISE INDICATED. CABINET SHALL CONSIST OF A BOX AND A FRONT CONSISTING OF A ONE-PIECE FRAME AND A HINGED DOOR. ARRANGE DOOR TO CLOSE AGAINST A RABBIT PLACED ALL AROUND THE INSIDE EDGE OF THE FRAME, WITH A UNIFORMLY CLOSE FIT BETWEEN DOOR AND FRAME. PROVIDE CONCEALED FASTENERS, NOT OVER 24-INCHES APART, TO HOLD FRONTS TO CABINET BOXES AND PROVIDE FOR ADJUSTMENT. PROVIDE FLUSH OR CONCEALED DOOR HINGES NOT OVER 24-INCHES APART AND NOT OVER 6-INCHES FROM TOP AND BOTTOM OF DOOR. FOR FLUSH CABINETS, MAKE THE FRONT APPROXIMATELY 3/4 INCH LARGER THAN THE BOX ALL AROUND. FOR SURFACE MOUNTED CABINETS MAKE FRONT SAME HEIGHT AND WIDTH AS BOX.
 - B. DOORS: DOUBLE DOORS FOR CABINETS WIDER THAN 24-INCHES. TELEPHONE CABINETS WIDER THAN 48-INCHES MAY HAVE SLIDING OR REMOVABLE DOORS.
 - C. LOCKS: COMBINATION SPRING CATCH AND KEY LOCK, WITH ALL LOCKS FOR CABINETS OF THE SAME SYSTEM KEYPED ALIKE. LOCKS MAY BE OMITTED ON SIGNAL, POWER, AND LIGHTING CABINETS LOCATED WITHIN WIRE CLOSETS AND MECHANICAL-ELECTRICAL ROOMS. LOCKS SHALL BE OF A TYPE TO PERMIT DOORS TO LATCH CLOSED WITHOUT LOCKING.
5. STEEL ENCLOSURES WITH HINGED DOORS:
 - A. COMPLY WITH UL 50, "CABINETS AND ENCLOSURES" AND NEMA ICS 6, "ENCLOSURES FOR INDUSTRIAL CONTROLS AND SYSTEMS." SHEET STEEL, 16 GAGE MINIMUM, WITH CONTINUOUS WELDED SEAMS. NEMA CLASS AS INDICATED ARRANGED FOR SURFACE MOUNTING.
 - B. DOORS: HINGED DIRECTLY TO CABINET AND REMOVABLE, WITH APPROXIMATELY 3/4-INCH FLANGE AROUND ALL EDGES, SHAPED TO COVER EDGE OF BOX, PROVIDE HANDLE OPERATED, KEY LOCKING LATCH. INDIVIDUAL DOOR WIDTH SHALL BE NO GREATER THAN 24-INCHES. PROVIDE MULTIPLE DOORS WHERE REQUIRED.
 - C. ENCLOSURE: WHERE DOOR GASKETING IS REQUIRED, PROVIDE NEOPRENE GASKET ATTACHED WITH OIL-RESISTANT ADHESIVE, AND HELD IN PLACE WITH STEEL RETAINING STRIPS. FOR ALL ENCLOSURES OF CLASS HIGHER THAN NEMA 1, USE HUBBED RACEWAY ENTRANCES.
6. WEATHERPROOF PULL AND SPLICE BOXES:
 - A. BOXES TO BE NEMA 12 AND 13 RATED, ALL STEEL CONSTRUCTION CONFORMING TO U.L.C. STANDARD EGP-1-1997. EXTERNAL MOUNTING FEET FOR SURFACE MOUNTING. OIL-RESISTANT GASKET ATTACHED TO INSIDE OF DOOR COVER. CONTINUOUS HINGE AND EXTERNAL SCREW CLAMP FOR QUICK OPENING AND CLOSING.
7. FIRESTOP FOR RECESSED WALL BOXES:
 - A. INSTALLATIONS OF MULTIPLE BOXES (LESS THAN 24" APART) WITH MAXIMUM 4-11/16" BY 4-11/16" FLUSH DEVICE UL LISTED METAL OUTLET BOXES IN FIRE RATED GYPSUM WALL BOARD WALL ASSEMBLIES FRAMED WITH MINIMUM 3-1/2" WIDE WOOD OR STEEL STUDS AND CONSTRUCTED AS SPECIFIED IN THE INDIVIDUAL U300 OR U400 SERIES WALL AND PARTITION DESIGNS IN THE FIRE RESISTANCE DIRECTORY. 3M #MPF-45 MOLDABLE PUTTY PADS ARE TO BE INSTALLED ON THE EXTERIOR SURFACES OF THE FLUSH DEVICE BOX IN 1 AND 2 HOUR FIRE RATED WALLS AND PARTITIONS.
 - B. FLOOR BOXES IN SLABS ON GRADE AND WET LOCATIONS TO BE NEMA TYPE 4, CAST-IRON BOXES WITH THREADED HOLES. FLOOR BOXES LOCATED IN SLABS ABOVE GRADE CAN BE STAMPED STEEL. PLASTIC FLOOR BOXES ARE NOT APPROVED.
 - A. INSTALL IN CONCRETE FLOOR SLABS SO THEY ARE COMPLETELY ENVELOPED IN CONCRETE EXCEPT FOR THE TOP WHERE NORMAL SLAB THICKNESS WILL NOT ENVELOPE BOX AS SPECIFIED ABOVE, PROVIDE INCREASED THICKNESS OF THE SLAB. PROVIDE EACH COMPARTMENT OF EACH FLOOR BOX WITH GROUNDING TERMINAL CONSISTING OF A WASHER-IN-HEAD MACHINE SCREW, NOT SMALLER THAN NO. 10-32, SCREWED INTO A TAPPED HOLE IN THE BOX. ADJUST COVERS OF FLOOR BOXES FLUSH WITH FINISHED FLOOR.
 9. PULL AND SPLICE BOXES LOCATED OUTDOORS OR WHERE INDICATED ON DRAWINGS ARE TO BE WEATHERPROOF TYPE J.I.C. BOXES. CONDUIT TERMINATIONS ARE TO BE ACCOMPLISHED BY USING MEYER HUBS.
 10. ELECTRICALLY GROUND METALLIC CABINETS, BOXES, AND ENCLOSURES. WHERE WIRING TO ITEM INCLUDES A GROUNDING CONDUCTOR, PROVIDE A GROUNDING TERMINAL IN THE INTERIOR OF THE CABINET, BOX OR ENCLOSURE.

ISSUE DATE		
No.	Date (mm/dd/yyyy)	Description

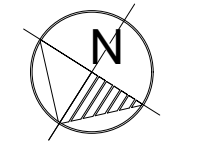
REVISIONS

No.	Date	Description
1	8/01/2023	RESPONSE TO CITY
2	9/04/2023	HEALTH COMMENTS
3	9/12/2023	RESPONSE TO CITY

DRAWINGS REVISED AS PER DESIGN BULLETIN

No.	Date	Description


- A. COMPLY WITH UL 50, "ELECTRICAL CABINETS AND BOXES." SHEET STEEL, NEMA 1 CLASS EXCEPT AS OTHERWISE INDICATED. CABINET SHALL CONSIST OF A BOX AND A FRONT CONSISTING OF A ONE-PIECE FRAME AND A HINGED DOOR. ARRANGE DOOR TO CLOSE AGAINST A RABBIT PLACED ALL AROUND THE INSIDE EDGE OF THE FRAME, WITH A UNIFORMLY CLOSE FIT BETWEEN DOOR AND FRAME. PROVIDE CONCEALED FASTENERS, NOT OVER 24-INCHES APART, TO HOLD FRONTS TO CABINET BOXES AND PROVIDE FOR ADJUSTMENT. PROVIDE FLUSH OR CONCEALED DOOR HINGES NOT OVER 24-INCHES APART AND NOT OVER 6-INCHES FROM TOP AND BOTTOM OF DOOR. FOR FLUSH CABINETS, MAKE THE FRONT APPROXIMATELY 3/4 INCH LARGER THAN THE BOX ALL AROUND. FOR SURFACE MOUNTED CABINETS MAKE FRONT SAME HEIGHT AND WIDTH AS BOX.
- B. DOORS: DOUBLE DOORS FOR CABINETS WIDER THAN 24-INCHES. TELEPHONE CABINETS WIDER THAN 48-INCHES MAY HAVE SLIDING OR REMOVABLE DOORS.
- C. LOCKS: COMBINATION SPRING CATCH AND KEY LOCK, WITH ALL LOCKS FOR CABINETS OF THE SAME SYSTEM KEYPED ALIKE. LOCKS MAY BE OMITTED ON SIGNAL, POWER, AND LIGHTING CABINETS LOCATED WITHIN WIRE CLOSETS AND MECHANICAL-ELECTRICAL ROOMS. LOCKS SHALL BE OF A TYPE TO PERMIT DOORS TO LATCH CLOSED WITHOUT LOCKING.



PROJECT NORTH


THIS DRAWING IS OWNED BY OR LICENSED FOR USE BY POPEYES LOUISIANA KITCHEN (OR ITS AFFILIATE OR RELATED COMPANIES) AND MAY NOT BE REPRODUCED, USED, DOWNLOADED, DISSEMINATED, PUBLISHED, OR TRANSFERRED IN ANY FORM OR BY ANY MEANS, EXCEPT WITH THE PRIOR WRITTEN CONSENT OF POPEYES LOUISIANA KITCHEN. COPYRIGHT INFRINGEMENT IS A VIOLATION OF FEDERAL LAW SUBJECT TO CRIMINAL AND CIVIL PENALTIES.

THE CONTRACTOR IS TO VERIFY ALL DIMENSIONS AND CONDITIONS ON THE PROJECT AND TO REPORT ANY DISCREPANCIES TO THE POPEYES LOUISIANA KITCHEN REPRESENTATIVE PRIOR TO COMMENCING WORK. THESE DRAWINGS ARE NOT TO BE USED FOR CONSTRUCTION PURPOSES UNLESS INDICATED BY POPEYES LOUISIANA KITCHEN AS "ISSUED FOR CONSTRUCTION".



9.13.2023

Company Logo



THE DIMENSION GROUP

ARCHITECTURE-CIVIL ENGINEERING-MEP ENGINEERING

10755 SANDHILL ROAD, DALLAS, TEXAS 75238
TEL: 214-343-8400 www.dimensionalgroup.com

Project



LOUISIANA KITCHEN

Store Type

US 2112 PROTOTYPE
2112-21

Location

1517 NC 24-87 CAMERON, NC

SECTION 16140 – WIRING DEVICES

1. THIS SECTION INCLUDES THE FOLLOWING:

- A. RECEPTACLES
- B. LIGHTING AND EQUIPMENT SWITCHES
- C. WALL PLATES
- D. FLOOR SERVICE OUTLETS
- E. OCCUPANCY SENSORS
- F. MANUAL DIMMERS

2. MANUFACTURERS: SUBJECT TO COMPLIANCE WITH REQUIREMENTS, PROVIDE PRODUCTS BY ONE OF THE FOLLOWING:

- A. WIRING DEVICES & ACCESSORIES:
 - A.1. COPPER WIRING DEVICES
 - A.2. CROUSE-HINDS CO.
 - A.3. HUBBELL INC.
 - A.4. LEVITON
 - A.5. PASS AND SEYMOUR INC.

- B. FLOOR BOXES:
 - B.1. AMERICAN ELECTRIC, STEEL CITY
 - B.2. WALKER / WIREMOLD COMPANY
 - B.3. RACO, INC., HUBBELL INC.
 - B.4. RACEWAY COMPONENTS, INC.

- C. DIMMERS:
 - C.1. HUBBELL INC.
 - C.5. LEVITON LIGHTING CONTROLS
 - C.6. LUTRON LIGHTING

- D. OCCUPANCY SENSOR LIGHTING CONTROL:
 - D.1. HUBBELL INC.
 - D.2. LEVITON MANUFACTURING INC.
 - D.3. WATT STOPPER INC.
 - D.4. SENSOR SWITCH
 - D.5. GREENGATE

3. WIRING DEVICES:

A. PROVIDE WIRING DEVICES, IN TYPES, CHARACTERISTICS, GRADES, COLORS, AND ELECTRICAL RATINGS FOR APPLICATIONS INDICATED WHICH ARE UL LISTED AND WHICH COMPLY WITH NEMA WD 1 AND OTHER APPLICABLE UL AND NEMA STANDARDS. ALL DEVICES TO BE SPECIFICATION GRADE (HEAVY DUTY U.L. GRADE), WITH GREEN HEXAGONAL EQUIPMENT GROUND SCREW, METAL PASTER EARS AND SIDE TERMINAL SCREWS FOR BACK AND SIDE WIRING.

B. ALL WIRING DEVICES ARE TO BE PROVIDED BY THE SAME MANUFACTURER UNLESS NOTED OTHERWISE.

C. ALL WIRING DEVICES AND COVERPLATES SHALL BE:

- C.1. WHITE.
- C.2. WHITE – WHERE INSTALLED IN WHITE CEILINGS.
- C.3. BLACK – WHERE INSTALLED IN DARK CEILINGS.
- C.4. ORANGE – WHERE SUPPLYING A UPS CIRCUIT. (DEVICE ONLY, COVERPLATE SHALL BE AS ABOVE).

D. RECEPTACLES:

D.1. DUPLEX RECEPTACLE, 15 AMP, 125 VOLT, 2–POLE, 3–WIRE, GROUNDING TYPE WITH NEMA CONFIGURATION 5–15R, MEETS FEDERAL SPEC. WC–596–F, LEVITON #5252.

D.2. SINGLE RECEPTACLE, 20 AMP, 125 VOLT, 2–POLE, 3–WIRE, GROUNDING TYPE WITH NEMA CONFIGURATION 5–20R, MEETS FEDERAL SPEC. WC–596–F, LEVITON #5351.

D.3. DUPLEX RECEPTACLE, 20 AMP, 125 VOLT, 2–POLE, 3–WIRE, GROUNDING TYPE WITH NEMA CONFIGURATION 5–20R, MEETS FEDERAL SPEC. WC–596–F, LEVITON #5352.

D.4. GROUND FAULT INTERRUPTER RECEPTACLE, 20 AMP, 125 VOLT, 2–POLE, 3–WIRE, GROUNDING TYPE WITH NEMA CONFIGURATION 5–20R; UL943 APPROVED, SELF-TESTING, SOLID STATE GROUND FAULT SENSING LEVEL WITH 5 MILLIAMPERES GROUND FAULT TRIP LEVEL, LED INDICATOR LIGHT WITH TEST/RESET BUTTONS THAT MATCH THE COLOR OF THE FACE. LEVITON #G5362–WT*.

D.5. USB RECEPTACLE, 20A, 125V, 2–POLE, 3–WIRE, GROUNDING TYPE WITH NEMA CONFIGURATION 5–20R, (2) VERTICAL US PORTS WITH 3.6A CHARGING CAPACITY (MINIMUM), MEETS FEDERAL SPEC. WC–596–F, LEVITON #T5832

D.5.1. WHERE SHOWN AS A QUAD RECEPTACLE ON PLANS, PROVIDE (2) USB RECEPTACLES AS SPECIFIED ABOVE.

D.6. WEATHERPROOF RECEPTACLE SHALL BE A GROUND–FAULT INTERRUPTER WITH THOMAS & BETTS' FCKSUW DIE–CAST ALUMINUM SMALL COVER PLATE. LOCATE BOX VERTICAL IN WALL. PLATE TO BE LISTED AND LABELED "SUITABLE FOR WET LOCATIONS WHILE IN USE.

D.7. ISOLATED GROUND DUPLEX RECEPTACLE, 20 AMP, 125 VOLT, 2–POLE, 3–WIRE, FACE WITH ORANGE TRIANGLE, GROUND SCREW ISOLATED FROM MOUNTING YOKE, NEMA CONFIGURATION 5–20RIG. LEVITON #5362–IG.

D.8. CONTROLLED DUPLEX RECEPTACLE, 20 AMP, 125 VOLT, 2–POLE, 3–WIRE, GROUNDING TYPE WITH NEMA CONFIGURATION 5–20R, PERMANENTLY LABELED WITH CONTROLLED SYMBOL, MEETS FEDERAL SPEC. WC–596–F, LEVITON #5362–2.

D.8.1. WHERE SHOWN AS A QUAD RECEPTACLE ON PLANS, PROVIDE (1) CONTROLLED RECEPTACLE AND (1) DUPLEX RECEPTACLE AS SPECIFIED ABOVE.

D.9. HEAVY DUTY RECEPTACLES SHALL BE OF THE SAME MANUFACTURER AS THE CONVENIENCE OUTLETS AND HAVE THE RATINGS AND CHARACTERISTICS (VOLTAGE, AMPS, POLES, WIRES) AS SHOWN ON DRAWINGS.

E. SWITCHES:

E.1. TOGGLE TYPE SWITCH, 20 AMP, 120/277 VOLT AC SINGLE–POLE, QUITE TYPE, WITH MOUNTING YOKE INSULATED FROM MECHANISM, EQUIPPED WITH PASTER EARS, SIDE–WIRED SCREW TERMINALS, MEETS FEDERAL SPEC WS–896. LEVITON #1121–2.

E.1.1. DOUBLE–POLE, 3–WAY, AND 4–WAY SWITCHES SHALL BE OF THE SAME MAKE AS FOR SINGLE–POLE.

E.2. KEY TYPE SWITCH, 20 AMP, 120/277 VOLT AC SINGLE–POLE, WITH MOUNTING YOKE INSULATED FROM MECHANISM, EQUIPPED WITH PASTER EARS, SIDE–WIRED SCREW TERMINALS, POLISHED METAL TOP AND PROVIDE WITH ONE STEEL KEY. LEVITON #1121–2L.

E.2.1. DOUBLE–POLE, 3–WAY, AND 4–WAY SWITCHES SHALL BE OF THE SAME MAKE AS FOR SINGLE–POLE.

E.3. WHEN A LIGHTED HANDLE IS INDICATED WITH SWITCHING DEVICE, PROVIDE SWITCH DEVICE WITH 1/25 WATT NEON PILOT INTEGRAL WITH TOGGLE HANDLE, RATED 120/277 VOLT, GLOWS WHEN SWITCH IS "OFF". PASS & SEYMOUR #20AC1–CSL.

E.4. WHEN A PILOT LIGHT IS INDICATED WITH SWITCHING DEVICE, PROVIDE SWITCH DEVICE WITH 1/25 WATT NEON PILOT INTEGRAL WITH TOGGLE HANDLE, RATED 120/277 VOLT, GLOWS WHEN SWITCH IS "ON". PASS & SEYMOUR #20AC1–RPL.

F. FLOOR RECEPTACLES:

F.1. TYPE 'A': HUBBELL #B–2436, RECTANGULAR SINGLE–GANG, WATERTIGHT BOX WITH ONE S–3825 DUPLEX FLAP COVER. BOX COVER PLATE SHALL BE BRASS. COVER TO BE PROVIDED WITH BRASS CARPET FLANGE FOR FLUSH INSTALLATION IN LINOLEUM, WOOD OR CARPET FLOORS. EACH FLOOR OUTLET SHALL BE COMPLETE WITH ONE 20 AMP, 125 VOLT DUPLEX BROWN RECEPTACLE AS SPECIFIED UNDER "RECEPTACLES".

F.2. TYPE 'B': HUBBELL #B–4233, RECTANGULAR DOUBLE–GANG, FULLY ADJUSTABLE, WATERTIGHT BOX WITH ONE S–3825 DUPLEX FLAP COVER COMPLETE WITH ONE 20 AMP, 125 VOLT DUPLEX BROWN RECEPTACLE AS SPECIFIED UNDER "RECEPTACLES". ALSO PROVIDE ONE #S–2625 COVER PLATE WITH ONE #S–3067 SPLIT NOZZLE FOR PROTECTION OF TELEPHONE/COMPUTER CABLES. BOX COVER PLATES SHALL BE BRASS. COVER TO BE PROVIDED WITH BRASS CARPET FLANGE FOR FLUSH INSTALLATION IN LINOLEUM, WOOD OR CARPET FLOORS.

F.3. TYPE 'C': HUBBELL #B–2436, RECTANGULAR SINGLE–GANG BOX, BRASS PLATE #S2425 WITH 3/4 PLUG OPENING FOR CONNECTION OF FLEXIBLE CONDUIT FROM EQUIPMENT. COVER TO BE PROVIDED WITH BRASS CARPET FLANGE FOR FLUSH INSTALLATION IN LINOLEUM, WOOD OR CARPET FLOORS.

G. WALL PLATES: SINGLE AND COMBINATION, OF TYPES, SIZES, AND WITH GANGING AND CUTOUTS AS INDICATED. PROVIDE PLATES WHICH MATE WITH WIRING DEVICES TO WHICH ATTACHED. PROVIDE METAL SCREWS FOR SECURING PLATES TO DEVICES WITH SCREW HEADS TO MATCH FINISH OF PLATES. PROVIDE WALL PLATES WITH ENGRAVED LEGEND WHERE INDICATED. CONFORM TO REQUIREMENTS

SECTION 16140 – WIRING DEVICES

OF SECTION "ELECTRICAL IDENTIFICATION."

H. OCCUPANCY SENSOR LIGHTING CONTROL:

H.1. WALL MOUNTED OCCUPANCY SENSOR TO BE PASSIVE INFRARED COVERING 1200 (OR 900) SQUARE FEET, RATED FOR 120/277 VOLT, 1500 WATTS MAXIMUM LOAD OF INCANDESCENT OR FLUORESCENT LIGHT. SENSOR TO HAVE 180° FIELD OF VIEW, OFF/AUTO/ON SLIDE SWITCH, ADJUSTABLE TIME–OUT FROM 1 TO 20 MINUTES, AND LED MOVEMENT INDICATOR PILOT. SENSOR TO BE MOUNTED IN A SINGLE–GANG WALL BOX AT SAME ELEVATION AS STANDARD WALL SWITCHES.

H.1.1. WATT STOPPER #PW–100 SINGLE RELAY (OR #PW–200 DUAL RELAY).

H.2. CEILING MOUNTED OCCUPANCY SENSOR TO BE DUAL TECHNOLOGY WITH ULTRASONIC & PASSIVE INFRARED TYPE SENSORS. SENSORS TO HAVE TWO–WAY OR ONE–WAY DISTRIBUTION DEPENDING ON MOUNTING LOCATION CAPABLE OF ADJUSTING THE SENSITIVITY AND LENGTH OF OPERATION BASED ON PAST ACTIVITY LEVEL OF THE AREA'S OCCUPANTS. CUSTOM PERFORMANCE CONTROLS TO BE LOCATED BEHIND THE SENSOR LENS FOR FIELD MODIFICATION OF SENSOR DESIGN. UNIT TO BE MOUNTED TO RECESSED JUNCTION BOX.

H.2.1. WATT STOPPER #DT–355, 800W @ 120V (1200W @ 277V)

I. MANUAL DIMMERS:

I.1. PROVIDE AND INSTALL AC DIMMER CONTROLS FOR LIGHTING FIXTURES; WAITAGE AS INDICATED BELOW, 120 VOLT, 60 HERTZ, WITH PRESET SLIDE CONTROLS AND PUSHBUTTON FOR ON/OFF CONTROLS, SINGLE–POLE.:

I.1.1. I01 = 1000 WATTS, LEVITON #IP10–1LX (120/277V INCANDESCENT)

I.1.2. D1 = 1200/1500 VA, LEVITON #IP710–LFZ (120/277V LED)

I.1.3. LD2 = 400 VA, LEVITON #PE04–1LX (ELECTRONIC LOW VOLTAGE)

I.1.4. LD3 = 1000 VA, LEVITON #IPM10–1LX (MAGNETIC LOW VOLTAGE)

I.1.5. FD1 = 1200/1500 VA, LEVITON #IP710–DLX (120/277V FLUORESCENT 0–10V)

I.1.6. FD2 = 1000 VA, LEVITON #IPX10–10 (120V FLUORESCENT LINE VOLTAGE)

I.1.7. FD3 = 1200 VA, LEVITON #IPX12–70 (277V FLUORESCENT LINE VOLTAGE)

SECTION 16180 – FUSES

1. MANUFACTURER: SUBJECT TO COMPLIANCE WITH REQUIREMENTS, PROVIDE PRODUCTS OF ONE OF THE FOLLOWING (FOR EACH TYPE AND RATING OF OVERCURRENT PROTECTIVE DEVICE):

- A. BUSSMANN DIV. MCGRAW_EDISON CO.
- B. FERRAZ SHAMMUT, INC.
- C. LITTELFUSE, INC.

2. EXCEPT AS OTHERWISE INDICATED, PROVIDE FUSES OF TYPES, SIZES, RATINGS, AND AVERAGE TIME/CURRENT AND PEAK LET–THROUGH CURRENT CHARACTERISTICS INDICATED, WHICH COMPLY WITH MANUFACTURER'S STANDARD DESIGN, MATERIALS, AND CONSTRUCTION IN ACCORDANCE WITH PUBLISHED PRODUCT INFORMATION, AND WITH INDUSTRY STANDARDS AND CONFIGURATIONS. ALL FUSES TO BE FOR USE WITH FUSE REJECTION CLIPS.

3. ALL FUSES FOR THIS PROJECT SHALL BE OF THE SAME MANUFACTURER TO INSURE SELECTIVE COORDINATION.

4. EXCEPT WHERE NOTED OTHERWISE, THREE (3) SPARE FUSES OF EACH SIZE INSTALLED SHALL BE PROVIDED TO THE OWNER.

5. INSTALL FUSES WITH MANUFACTURER'S NAMETAG FACING OUTWARD.

6. SERVICE ENTRANCE AND FEEDER CIRCUITS 601 AMPERES AND LARGER, FUSES SHALL BE BOLT–ON U.L. LISTED CLASS R CURRENT–LIMITING WITH 200,000 AMPERES R.M.S. SYMMETRICAL INTERRUPTING RATING.

7. FEEDER CIRCUITS, EXCEPT MOTOR CIRCUITS, 600 AMPERES AND SMALLER SHALL BE PLUG–IN CARTRIDGE U.L. CLASS RK–1, CURRENT–LIMITING WITH 200,000 AMPERES R.M.S. SYMMETRICAL INTERRUPTING RATING.

8. MOTOR TRANSFORMERS, AND INDUCTIVE TYPE CIRCUITS 600 AMPERES AND SMALLER SHALL BE PLUG–IN CARTRIDGE U.L. CLASS RK–5 DUAL–ELEMENT WITH TIME DELAY. THEY SHALL ALSO HAVE CURRENT–LIMITING LINKS AND 200,000 AMPERES INTERRUPTING RATING. FUSE REDUCERS SHALL BE USED WHERE SWITCH FUSE CLIPS ARE SPACED LARGER THAN FUSE SIZE SHOWN ON DRAWING.

9. PLUG FUSES FOR INDIVIDUAL MOTOR PROTECTION SHALL BE BUSSMANN FUSTAT, DUAL–ELEMENT, 10,000 AMPERES R.M.S. SYMMETRICAL INTERRUPTING RATING, TYPE "ST" WITH FUSTAT ADAPTER SIZED FOR PLUG–FUSE INSTALLED. SIZE OF FUSE TO BE ACCORDING TO SPECIFICATIONS FOR "DISCONNECT SWITCHES".

SECTION 16190 – SUPPORTING DEVICES

1. THIS SECTION INCLUDES SECURE SUPPORT FROM THE BUILDING STRUCTURE FOR ELECTRICAL ITEMS BY MEANS OF HANGERS, SUPPORTS, ANCHORS, SLEEVES, INSERTS, SEALS, AND ASSOCIATED FASTENINGS.

2. COATING: SUPPORTS, SUPPORT HARDWARE, AND FASTENERS SHALL BE PROTECTED WITH ZINC COATING OR WITH TREATMENT OF EQUIVALENT CORROSION RESISTANCE USING APPROVED ALTERNATIVE TREATMENT, FINISH, OR INHERENT MATERIAL CHARACTERISTIC. PRODUCTS FOR USE OUTDOORS SHALL BE HOT–DIP GALVANIZED.

3. INSTALL SUPPORTING DEVICES TO FASTEN ELECTRICAL COMPONENTS SECURELY AND PERMANENTLY IN ACCORDANCE WITH MANUFACTURER'S REQUIREMENTS.

4. SUPPORT INDIVIDUAL HORIZONTAL RACEWAYS BY SEPARATE PIPE HANGERS. SPRING STEEL FASTENERS MAY BE USED IN LIEU OF HANGERS ONLY FOR 3/4–INCH AND SMALLER RACEWAYS SERVING LIGHTING AND RECEPTACLE BRANCH CIRCUITS ABOVE SUSPENDED CEILINGS ONLY. FOR HANGER RODS WITH SPRING STEEL FASTENERS, USE 1/4–INCH–DIAMETER OR LARGER THREADED STEEL USE SPRING STEEL FASTENERS THAT ARE SPECIFICALLY DESIGNED FOR SUPPORTING SINGLE CONDUITS OR TUBING. CONDUITS ABOVE LAY–IN CEILING SYSTEM SHALL NOT BE SUPPORTED FROM CEILING SUSPENSION WIRES.

5. INSTALL INDIVIDUAL AND MULTIPLE (TRAPEZE) RACEWAY HANGERS AND RISER CLAMPS AS NECESSARY TO SUPPORT RACEWAYS. PROVIDE U–BOLTS, CLAMPS, ATTACHMENTS AND OTHER HARDWARE NECESSARY FOR HANGER ASSEMBLY AND FOR SECURING HANGER RODS AND CONDUITS.

6. SUPPORT PARALLEL RUNS OF HORIZONTAL RACEWAYS TOGETHER ON TRAPEZE–TYPE HANGERS

7. DO NOT CUT HOLES IN REINFORCED CONCRETE BEAMS OR CUT REINFORCING BARS IN CONCRETE WITH OUT WRITTEN APPROVAL OF STRUCTURAL ENGINEER.

8. UNLESS OTHERWISE INDICATED, FASTEN ELECTRICAL ITEMS AND THEIR SUPPORTING HARDWARE SECURELY TO THE BUILDING STRUCTURE, INCLUDING BUT NOT LIMITED TO CONDUITS, RACEWAYS, CABLES, CABLE TRAYS, BUSWAYS, CABINETS, PANELBOARDS, TRANSFORMERS, BOXES, DISCONNECT SWITCHES, AND CONTROL COMPONENTS.

SECTION 16410 – DISCONNECTS, CONTACTORS

1. MANUFACTURERS: SUBJECT TO COMPLIANCE WITH REQUIREMENTS, PROVIDE PRODUCTS BY ONE OF THE FOLLOWING:

- A. GENERAL ELECTRIC CO.
- B. SQUARE D COMPANY.
- C. EATON CORPORATION
- D. SIEMENS, I.T.E.
- E. ALLEN–BRADLEY CO.
- F. FURNAS CO.

2. TEMPERATURE RATINGS: ALL CONDUCTOR TERMINALS AND EQUIPMENT ENCLOSURES TO BE U.L. LISTED FOR USE WITH MINIMUM 75C RATED CONDUCTORS.

3. DISCONNECT SWITCHES:

A. PROVIDE CIRCUIT AND MOTOR DISCONNECT SWITCHES OF TYPES, SIZES AND ELECTRICAL CHARACTERISTICS INDICATED ON DRAWINGS. FUSIBLE OR NON–FUSED TYPE, RATED 250 OR 600 VOLTS, 60 HZ, 2– OR 3–POLES, SOLID NEUTRAL, AND INCORPORATING QUICK–MAKE, QUICK–BREAK TYPE SWITCHES; CONSTRUCT SO THAT SWITCH BLADES ARE VISIBLE IN OFF POSITION WITH DOOR OPEN. SWITCH SHALL HAVE A DUAL COVER INTERLOCK TO PREVENT UNAUTHORIZED OPENING OF THE SWITCH DOOR WHEN HANDLE IS IN THE "ON" POSITION, AND TO PREVENT CLOSING OF THE SWITCH MECHANISM WITH THE DOOR OPEN. EQUIP WITH OPERATING HANDLE WHICH IS INTEGRAL PART OF ENCLOSURE BASE AND WHOSE POSITION IS EASILY RECOGNIZABLE AND IS PADLOCKABLE IN OFF POSITION; CONSTRUCT CURRENT CARRYING PARTS OF HIGH–CONDUCTIVITY COPPER, WITH SILVER–TUNGSTEN TYPE SWITCH CONTACTS, AND POSITIVE PRESSURE TYPE REINFORCED FUSE CLIPS. PROVIDE SWITCH IN NEMA 1 OR NEMA TYPE 3R ENCLOSURE AS INDICATED OR REQUIRED. INSTALL ENGRAVED PLASTIC PLATE AS TO WHAT EACH SWITCH CONTROLS.

B. EQUIPMENT REQUIRING A DISCONNECTING MEANS, RATED FOR 120 OR 208 VOLT SINGLE PHASE, UP TO 30 AMPERES MAY BE PROVIDED WITH A SNAP–SWITCH TYPE TOGGLE DEVICE AT THE EQUIPMENT. THE DEVICE IS TO HAVE AN AMPERE AND VOLTAGE RATING EQUAL TO OR GREATER THAN THE BRANCH CIRCUIT FEEDING THE EQUIPMENT. IF EQUIPMENT IS MOTOR RELATED, THEN THE SWITCH MUST BE HORSEPOWER RATED. REFER TO SECTION 16140 FOR MINIMUM SPECIFICATIONS FOR TOGGLE SWITCHES. SWITCHES LOCATED OUTDOORS OR IN COOLER/FREEZER APPLICATIONS ARE TO BE MOUNTED IN A DIE–CAST ALUMINUM DEVICE BOX WITH GASKETED WEATHERPROOF COVER PLATE.

4. RELAYS AND CONTACTORS:

A. GENERAL POWER PURPOSE RELAYS, FOR CONTROL OF MISCELLANEOUS MOTORS, TO BE PROVIDED AND INSTALLED WITH NUMBER OF POLES AND COIL VOLTAGE AS SHOWN ON DRAWINGS. RELAY TO BE HORSEPOWER RATED FOR THE MOTOR LOAD TO WHICH IT CONTROLS. RELAY TO BE MOUNTED IN A NEMA TYPE 1 ENCLOSURE.

B. LIGHTING CONTACTORS TO BE PROVIDED AND INSTALLED WITH THE NUMBER OF POLES, COIL VOLTAGE, AND LOAD CONTACT RATINGS AS SHOWN ON DRAWINGS. CONTACTORS TO BE PROVIDED WITH SILVER ALLOY DOUBLE BREAK CONTACTS RATED FOR TUNGSTEN AND BALLAST LIGHTING LOADS. CONTACTS TO BE CONVERTIBLE WITH NORMALLY OPEN AND NORMALLY CLOSED INDICATORS. RELAY TO BE MOUNTED IN A NEMA TYPE 1 ENCLOSURE.

6. INSTALLATION OF DISCONNECTS AND STARTERS:

A. SURFACE MOUNT ON WALLS OR COLUMNS APPROXIMATELY 5'–0" TO CENTERLINE ABOVE THE FLOOR WHERE POSSIBLE.

B. DISCONNECT SWITCHES MOUNTED ON ROOFTOP AIR CONDITIONING UNITS TO BE CALKED BETWEEN SWITCH AND UNIT TO PROVIDE WEATHERPROOF SEAL. ELECTRICAL CONTRACTOR TO VERIFY EXACT MOUNTING LOCATION ON UNIT SO AS NOT TO COVER UP ANY REMOVABLE PANELS.

C. WHEN RELAYS OR CONTACTORS ARE INDICATED TO BE LOCATED ABOVE THE EQUIPMENT, THE EQUIPMENT IS TO BE READILY ACCESSIBLE AND SOUND INSULATED FROM THE MOUNTING SUPPORTS.

SECTION 16470 – PANELBOARDS

1. MANUFACTURERS: SUBJECT TO COMPLIANCE WITH REQUIREMENTS, PROVIDE PANELBOARD PRODUCTS OF ONE OF THE FOLLOWING (FOR EACH TYPE AND RATING OF PANELBOARD AND ENCLOSURE):

- A. GENERAL ELECTRIC COMPANY
- B. SQUARE D COMPANY
- C. EATON CORPORATION
- D. SIEMENS, I.T.E.

2. POWER DISTRIBUTION PANELS: PROVIDE DEAD–FRONT SAFETY–TYPE DISTRIBUTION PANELBOARDS RATED 208/120, 3–PHASE, 4–WIRE. SHORT CIRCUIT RATING OF PANEL AND DEVICES TO BE 22,000 RMS MINIMUM UNLESS NOTED OTHERWISE ON THE DRAWINGS. PANELBOARDS SWITCHING AND PROTECTIVE DEVICES IN SOLDERLESS PRESSURE–TYPE LINE SIDE CONNECTORS APPROVED FOR COPPER CONDUCTORS.

3. 120/208 VOLT LIGHTING AND APPLIANCE PANELBOARDS: PROVIDE DEAD–FRONT SAFETY TYPE LIGHTING AND APPLIANCE PANELBOARDS AS INDICATED, WITH SWITCHING AND PROTECTIVE DEVICES IN QUANTITIES, RATINGS, TYPES AND ARRANGEMENTS SHOWN, WITH ANTI–TURN SOLDERLESS PRESSURE TYPE LUG CONNECTORS, APPROVED FOR USE WITH COPPER CONDUCTORS; CONSTRUCT UNIT FOR CONNECTING FEEDERS TO PANEL; EQUIP WITH COPPER, COPPER PLATED OR ALUMINUM BUS BARS, FULL–SIZED NEUTRAL BAR, WITH BOLT–IN TYPE HEAVY–DUTY, QUICK–MAKE, QUICK–BREAK, SINGLE–POLE CIRCUIT–BREAKERS, WITH TOGGLE HANDLES THAT INDICATE WHEN TRIPPED. PROVIDE SUITABLE LUGS ON NEUTRAL BUS FOR EACH OUTGOING FEEDER REQUIRED; AND PROVIDE BARE UNSULATED GROUNDING BARS SUITABLE FOR BOLTING TO ENCLOSURES. SELECT ENCLOSURES FABRICATED BY SAME MANUFACTURER AS PANELBOARDS, WHICH MATE AND MATCH PROPERLY WITH PANELBOARDS. MINIMUM INTERRUPTING CAPACITY OF MANUFACTURED PANELBOARDS TO BE 10,000 A.I.C, UNLESS NOTED OTHERWISE ON THE DRAWINGS.

4. MOLDED–CASE CIRCUIT BREAKERS: PROVIDE FACTORY ASSEMBLED, MOLDED CASE CIRCUIT BREAKERS OF FRAME SIZE INDICATED. PROVIDE BREAKERS WITH PERMANENT THERMAL AND INSTANTANEOUS MAGNETIC TRIPS IN EACH POLE AND AMPERE RATING AS INDICATED. CONSTRUCT WITH OVER CENTER, TRIP–FREE, TOGGLE TYPE OPERATING MECHANISMS WITH QUICK–MAKE, QUICK–BREAK ACTION AND POSITIVE HANDLE INDICATION. CONSTRUCT BREAKERS FOR MOUNTING AND OPERATING IN ANY PHYSICAL POSITION AND OPERATING IN AN AMBIENT TEMPERATURE OF 40C. PROVIDE BREAKERS WITH MECHANICAL SCREW TYPE REMOVABLE CONNECTOR LUGS, AL/CU RATED. ALL BREAKERS TO BE BOLT–IN TYPE CONSTRUCTION. ALL BREAKERS TO BE UL489 LISTED.

A. ALL SINGLE POLE BREAKERS TO BE RATED FOR "SWITCHING DUTY" (SWD) AND FOR OPERATION ON FLUORESCENT LIGHTING SOURCES.

B. ALL CIRCUIT BREAKERS PROTECTING HIGH INTENSITY DISCHARGE (HID) LIGHTING TO BE RATED AND LABELED "HID" FOR OPERATION ON H.I.D. LIGHTING SOURCES

C. CIRCUIT BREAKERS USED ON HEATING, AIR CONDITIONING, OR REFRIGERATION EQUIPMENT SHALL BE TYPE "HACR" AND U.L. LISTED FOR SUCH USE.

5. PANELBOARD MANUFACTURER TO PROVIDE A COMPLETE "ARC FLASH STUDY". ALL SUBMITTALS WILL BE REJECTED UNLESS THIS STUDY IS PROVIDED AT THE TIME OF SHOP DRAWING REVIEW.

ISSUE TABLE		
No.	Date (mm/dd/yy)	Description

REVISIONS		
No.	Date	Description
1	8/01/2023	RESPONSE TO CITY
2	9/04/2023	HEALTH COMMENTS
3	9/12/2023	RESPONSE TO CITY

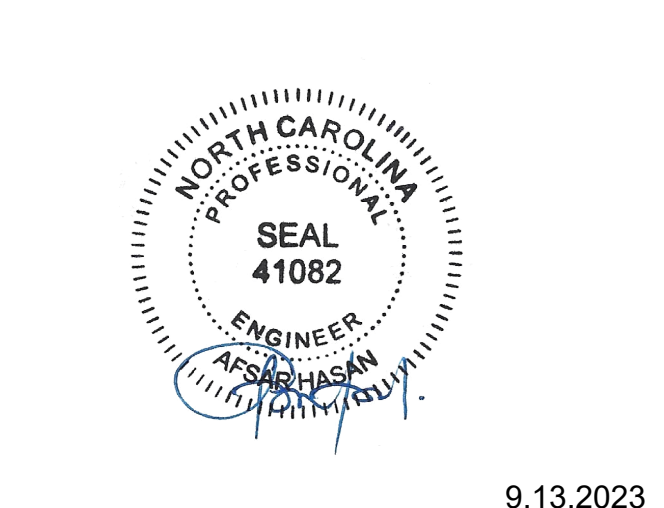
DRAWINGS REVISED AS PER DESIGN BULLETIN		
No.	Date	Description

DRAWINGS REVISED AS PER DESIGN BULLETIN		
No.	Date	Description

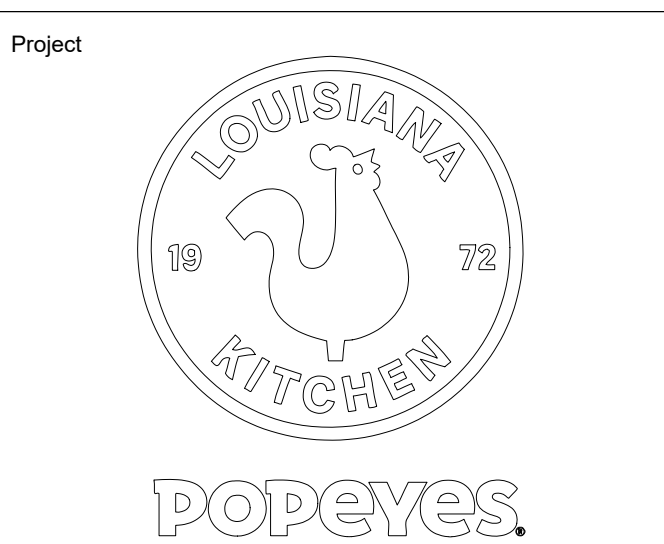
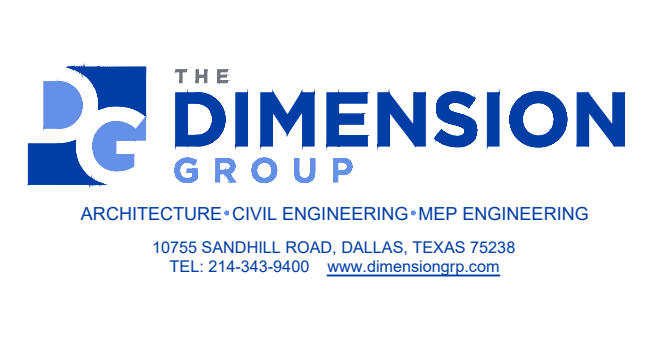


THIS DRAWING IS OWNED BY OR LICENSED FOR USE BY POPEYES LOUISIANA KITCHEN (OR ITS AFFILIATED OR RELATED COMPANIES) AND MAY NOT BE REPRODUCED, USED, DOWNLOADED, DISSEMINATED, PUBLISHED OR TRANSFERRED IN ANY FORM OR BY ANY MEANS, EXCEPT WITH THE PRIOR WRITTEN CONSENT OF POPEYES LOUISIANA KITCHEN. COPYRIGHT INFRINGEMENT IS A VIOLATION OF FEDERAL LAW SUBJECT TO CRIMINAL AND CIVIL PENALTIES.

THE CONTRACTOR IS TO VERIFY ALL DIMENSIONS AND CONDITIONS ON THE PROJECT AND TO REPORT ANY DISCREPANCIES TO THE POPEYES LOUISIANA KITCHEN REPRESENTATIVE PRIOR TO COMMENCING WORK. THESE DRAWINGS ARE NOT TO BE USED FOR CONSTRUCTION PURPOSES UNLESS INDICATED BY POPEYES LOUISIANA KITCHEN AS "ISSUED FOR CONSTRUCTION".



9.13.2023



POPEYES

Store Type
US 2112 PROTOTYPE
2112-21

Location
1517 NC 24-87
CAMERON, NC

Drawing Title
ELECTRICAL
SPECIFICATIONS

Drawn DW	Checked AH
Scale	Date JUNE 2023
Project No. C22-129	Drawing No. ES.2

POPEYES LOUISIANA KITCHEN MODEL 2112, 1517 NC 24-87, CAMERON, NC (JUNE 01, 2023) STORE NO. C22-129

- ELECTRICAL KEYNOTES**
- 1 PROVIDE (1) 3/4" PVC CONDUIT FOR POWER AND (1) 1/2" PVC CONDUIT FOR DATA TO OUTDOOR MENUBOARD.
 - 2 PROVIDE (1) 3/4" PVC CONDUIT FOR POWER AND (1) 1/2" PVC CONDUIT FOR DATA TO ORDER PEDESTAL AND DETECTOR LOOP.
 - 3 PROVIDE (1) 3/4" PVC CONDUIT FOR POWER AND (1) 1/2" PVC CONDUIT FOR DATA TO PRE ORDER MENUBOARD.
 - 4 PROVIDE POWER TO INDEPENDENT STANDING DRIVE THRU LIGHT POSTS. CONFIRM CONNECTION WITH LIGHT POST MANUFACTURER (ENTERA BRANDING).

ISSUE TABLE

No.	Date (mm/dd/yyyy)	Description

REVISIONS

No.	Date	Description
1	8/01/2023	RESPONSE TO CITY
2	9/04/2023	HEALTH COMMENTS
3	9/12/2023	RESPONSE TO CITY

DRAWINGS REVISED AS PER DESIGN BULLETIN

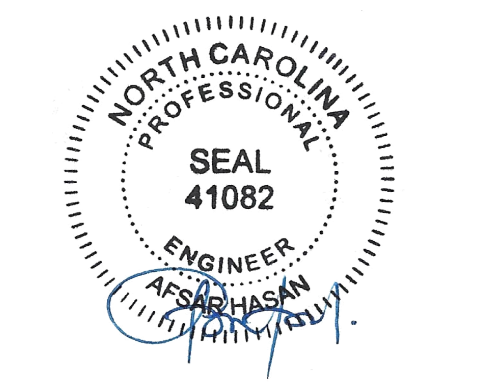
No.	Date	Description



PROJECT NORTH

THIS DRAWING IS OWNED BY OR LICENSED FOR USE BY POPEYES LOUISIANA KITCHEN (OR ITS AFFILIATED OR RELATED COMPANIES) AND MAY NOT BE REPRODUCED, USED, DOWNLOADED, DISSEMINATED, PUBLISHED OR TRANSFERRED IN ANY FORM OR BY ANY MEANS, EXCEPT WITH THE PRIOR WRITTEN CONSENT OF POPEYES LOUISIANA KITCHEN. COPYRIGHT INFRINGEMENT IS A VIOLATION OF FEDERAL LAW SUBJECT TO CRIMINAL AND CIVIL PENALTIES.

THE CONTRACTOR IS TO VERIFY ALL DIMENSIONS AND CONDITIONS ON THE PROJECT AND TO REPORT ANY DISCREPANCIES TO THE POPEYES LOUISIANA KITCHEN REPRESENTATIVE PRIOR TO COMMENCING WORK. THESE DRAWINGS ARE NOT TO BE USED FOR CONSTRUCTION PURPOSES UNLESS INDICATED BY POPEYES LOUISIANA KITCHEN AS "ISSUED FOR CONSTRUCTION".



9.13.2023

Company Logo

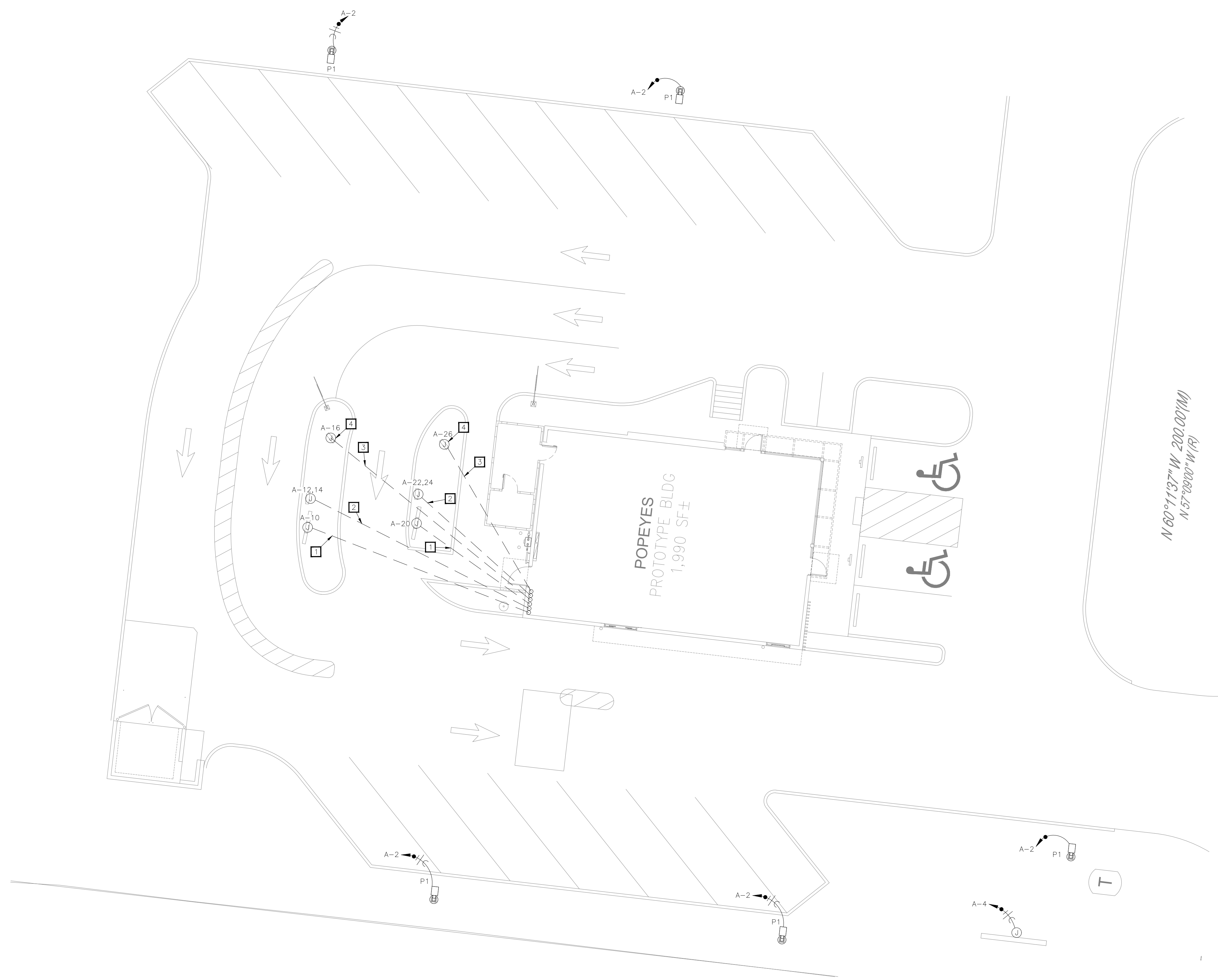
Project

Store Type
US 2112 PROTOTYPE
2112-21

Location
**1517 NC 24-87
CAMERON, NC**

Drawing Title
ELECTRICAL SITE PLAN

Drawn JP	Checked AH
Scale 3/32"=1'-0"	Date JUNE 2023
Project No. C22-129	Drawing No. ES1.0



01 ELECTRICAL SITE PLAN
3/32"=1'-0"

POPEYES LOUISIANA KITCHEN MODEL 2112, 1517 NC 24-87, CAMERON, NC (JUNE 01, 2023) STORE NO. C22-129