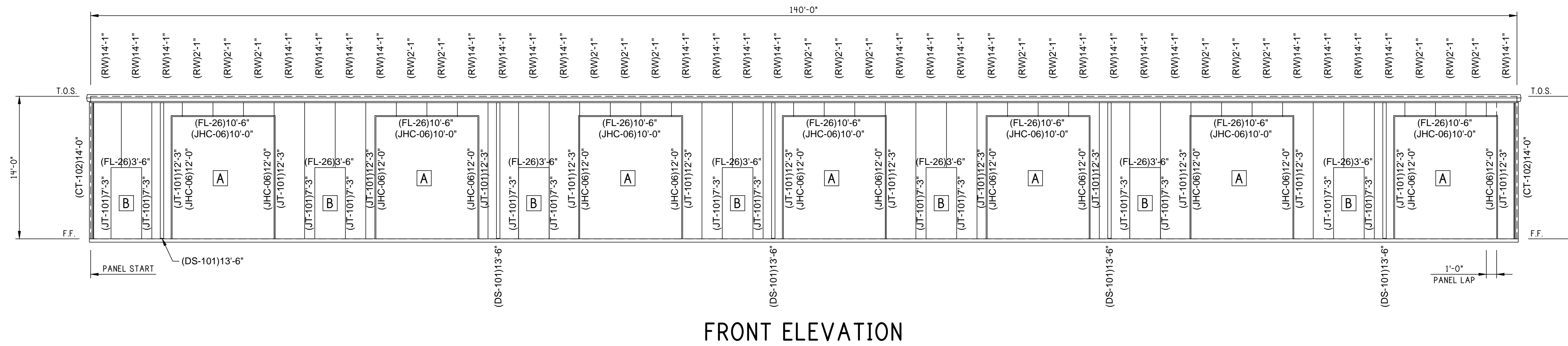
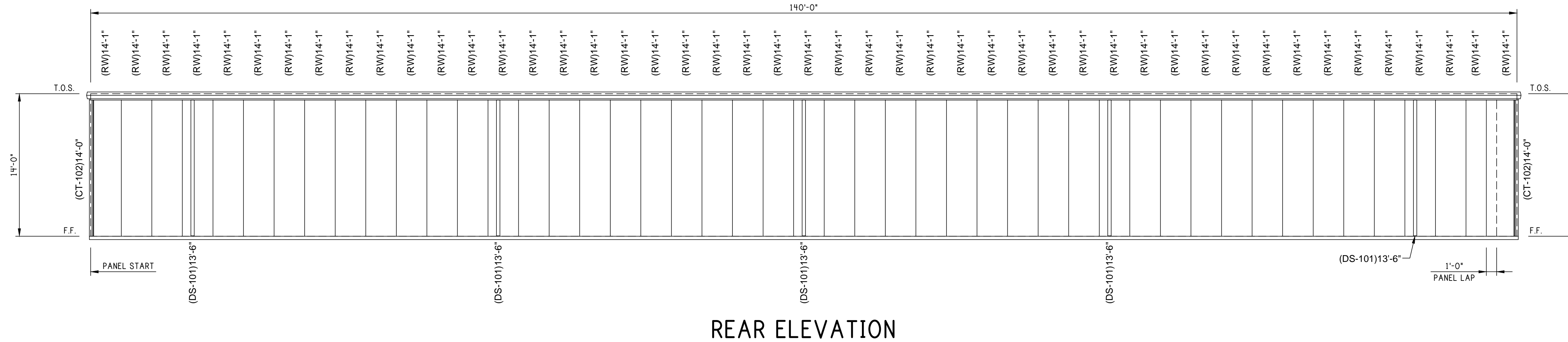


Notes:

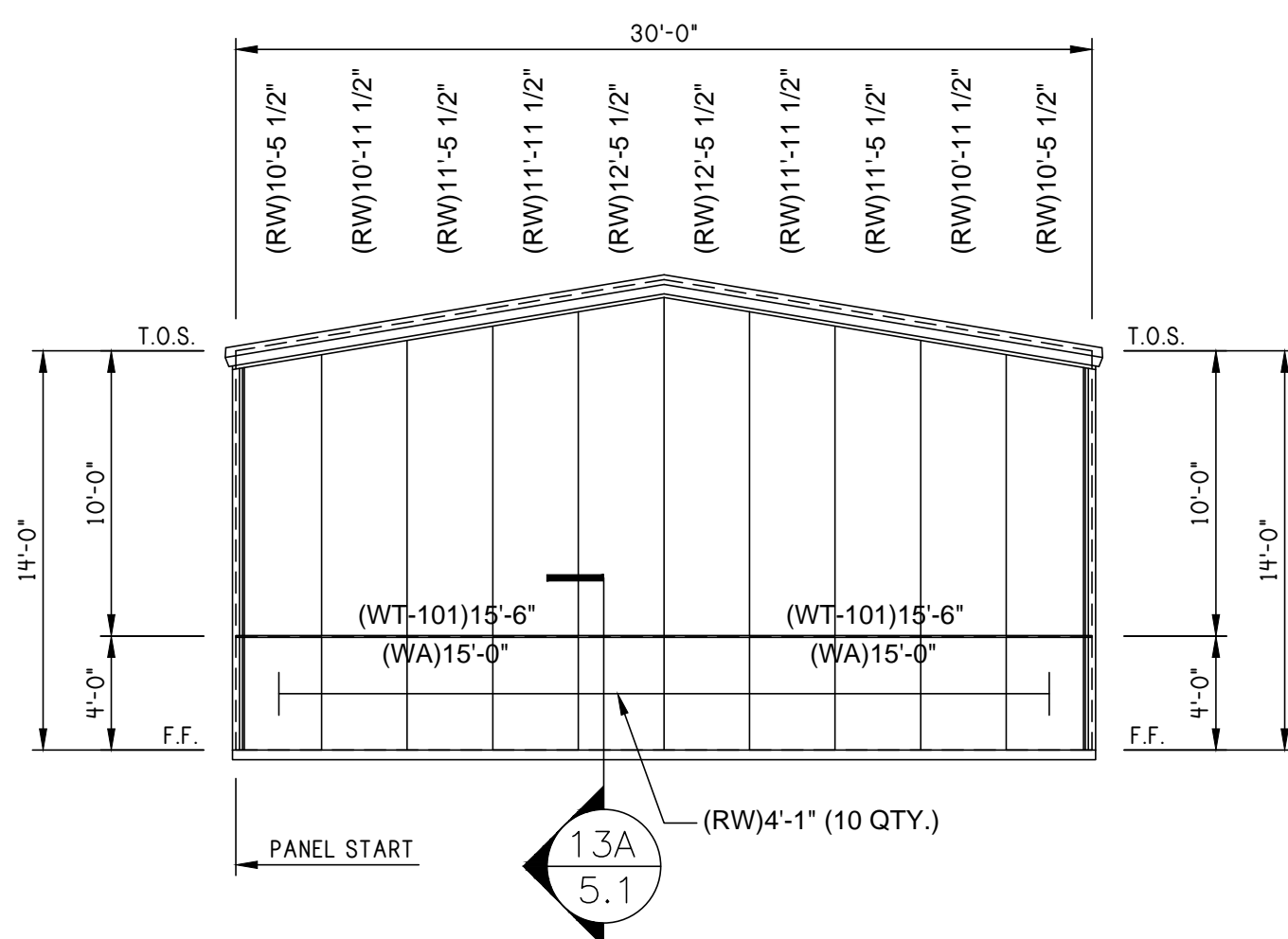
DOOR SCHEDULE	
A	(7) 10'-0" X 12'-0" FRAMED OPENINGS
B	(7) 3070 Solid W/ Lever LK



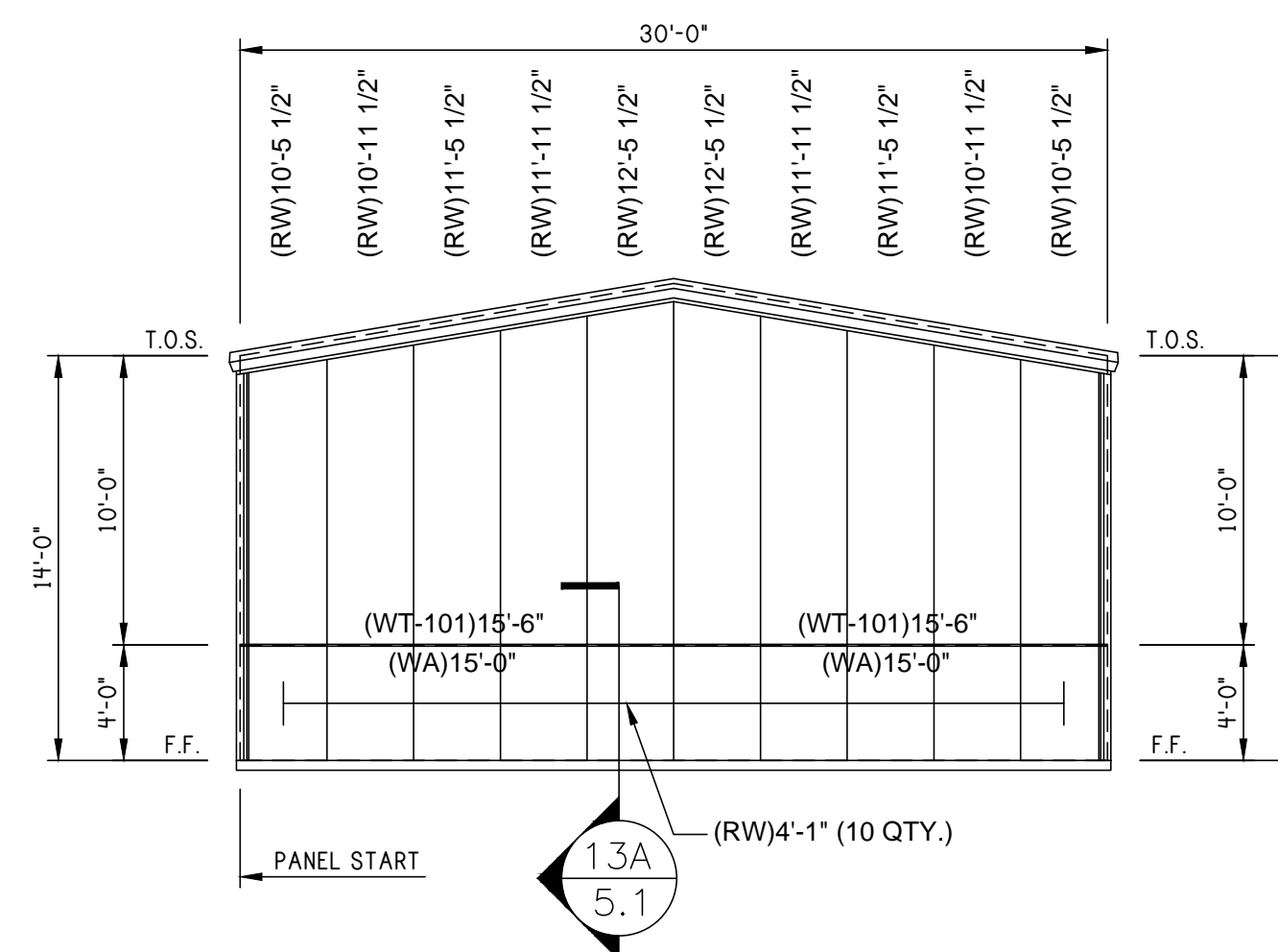
FRONT ELEVATION



REAR ELEVATION

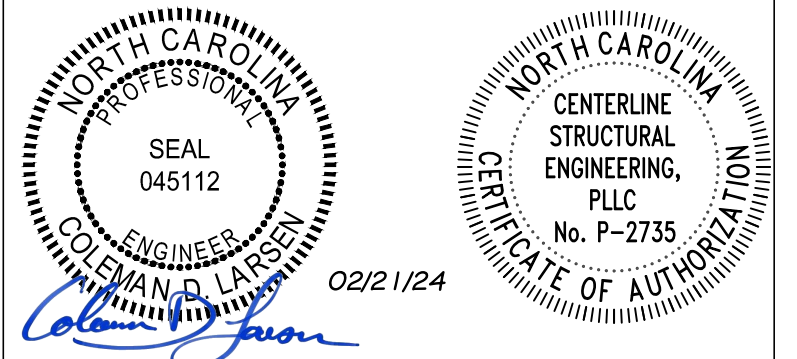


LEFT ELEVATION



RIGHT ELEVATION

EXTERIOR ELEVATION PLAN



REV:	DESCRIPTION:	BY:	DATE:
STATUS:	CONSTRUCTION ISSUE		

12226-33772-S4

PEAK STEEL
 CLIENT: P.O. BOX 1275
 Madison, GA 30650
 Phone: (844) 333-7325
 Fax: (706) 343-1968

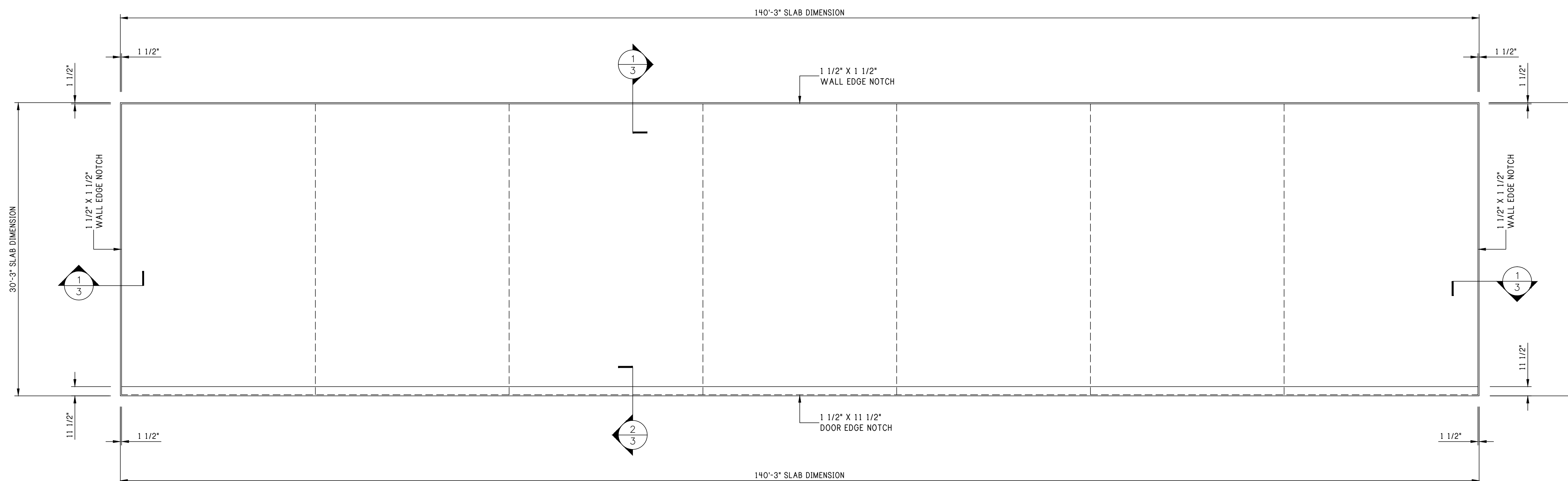
SITE: FUQUAY VARINA NC 27526			
TITLE: 30' x 140' x 14'-0" Gable			
SIZE:	DATE: 02/16/24	DRAWN: NMB	CHECKED: ALI
SHEET NO: 2 of 8	DRAWING NO: 12226-33772-S4	REVISION:	

CONFIDENTIAL AND PROPRIETARY INFORMATION

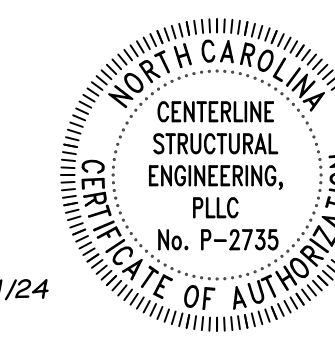
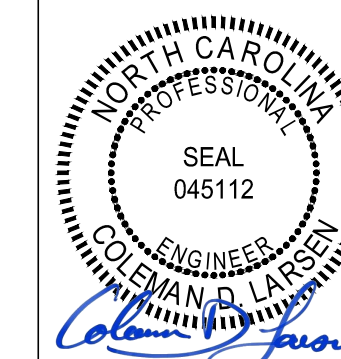
THE INFORMATION AND DESIGNS CONTAINED IN THIS DRAWING ARE CONFIDENTIAL AND PROPRIETARY. NEITHER THIS DESIGN NOR ANY INFORMATION CONTAINED IN THIS DRAWING MAY BE REPRODUCED OR DISCLOSED TO OTHERS WITHOUT EXPRESS WRITTEN CONSENT.

Notes:

1. FOUNDATION DESIGN AND CONSTRUCTION ARE NOT THE RESPONSIBILITY OF THE BUILDING MANUFACTURER.
2. THE BUILDING REACTION DATA REPORTS THE LOADS WHICH THIS BUILDING PLACES UPON THE FOUNDATION.



SLAB PLAN



REV: DESCRIPTION: BY: DATE:
STATUS: CONSTRUCTION ISSUE

12226-33772-S4

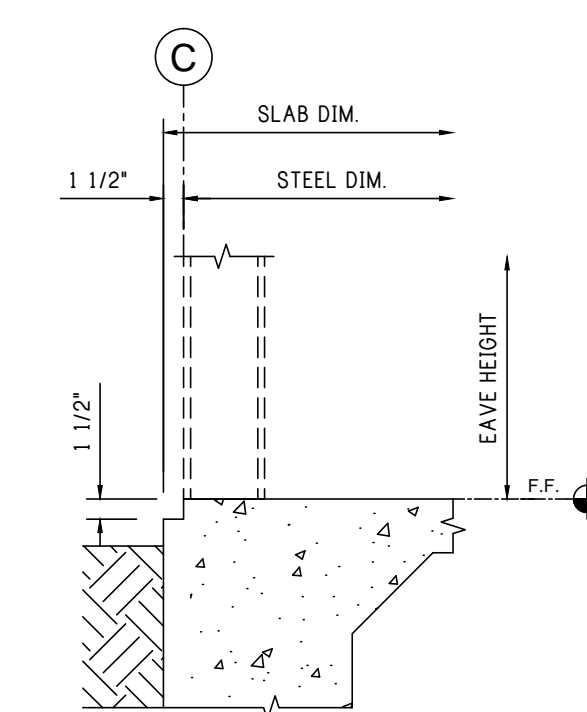


CLIENT: P.O. BOX 1275
Madison, GA 30650
Phone: (844) 333-7325
Fax: (706) 343-1968

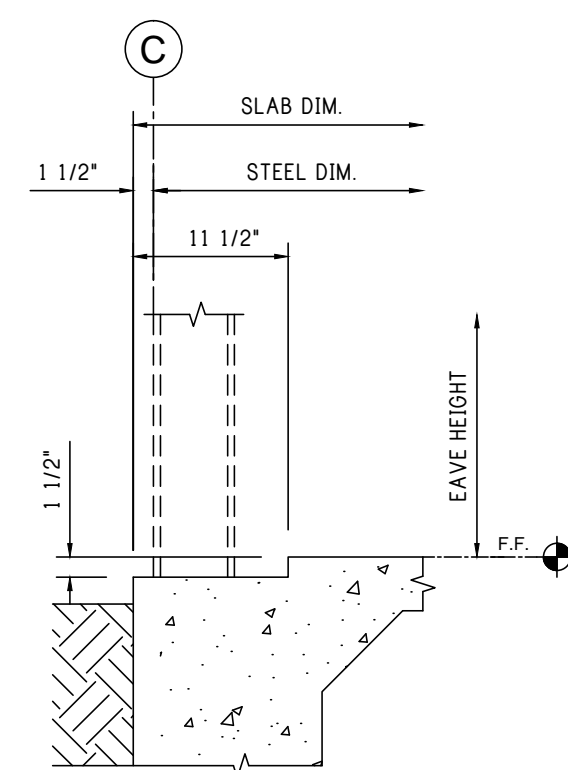
SITE: FUQUAY VARINA
NC 27526

TITLE: 30' x 140' x 14'-0" Gable

SIZE:	DATE: 02/16/24	DRAWN: NMB	CHECKED: ALI
SHEET NO: 3 of 8	DRAWING NO: 12226-33772-S4	REVISION:	

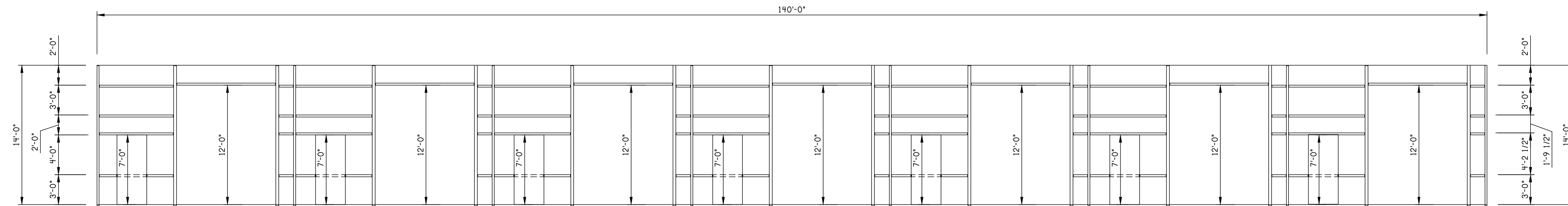


1 SLAB NOTCH - WALL EDGE
1-1/2" x 1 1/2" NOTCH

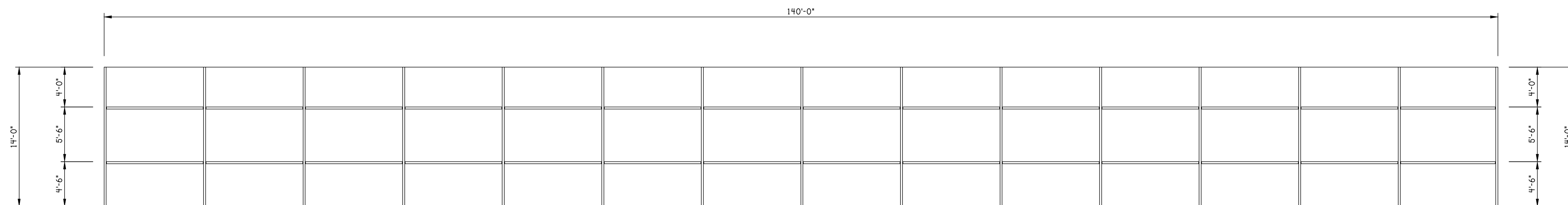


2 SLAB NOTCH - DOOR EDGE
1-1/2" x 1 1/2" NOTCH

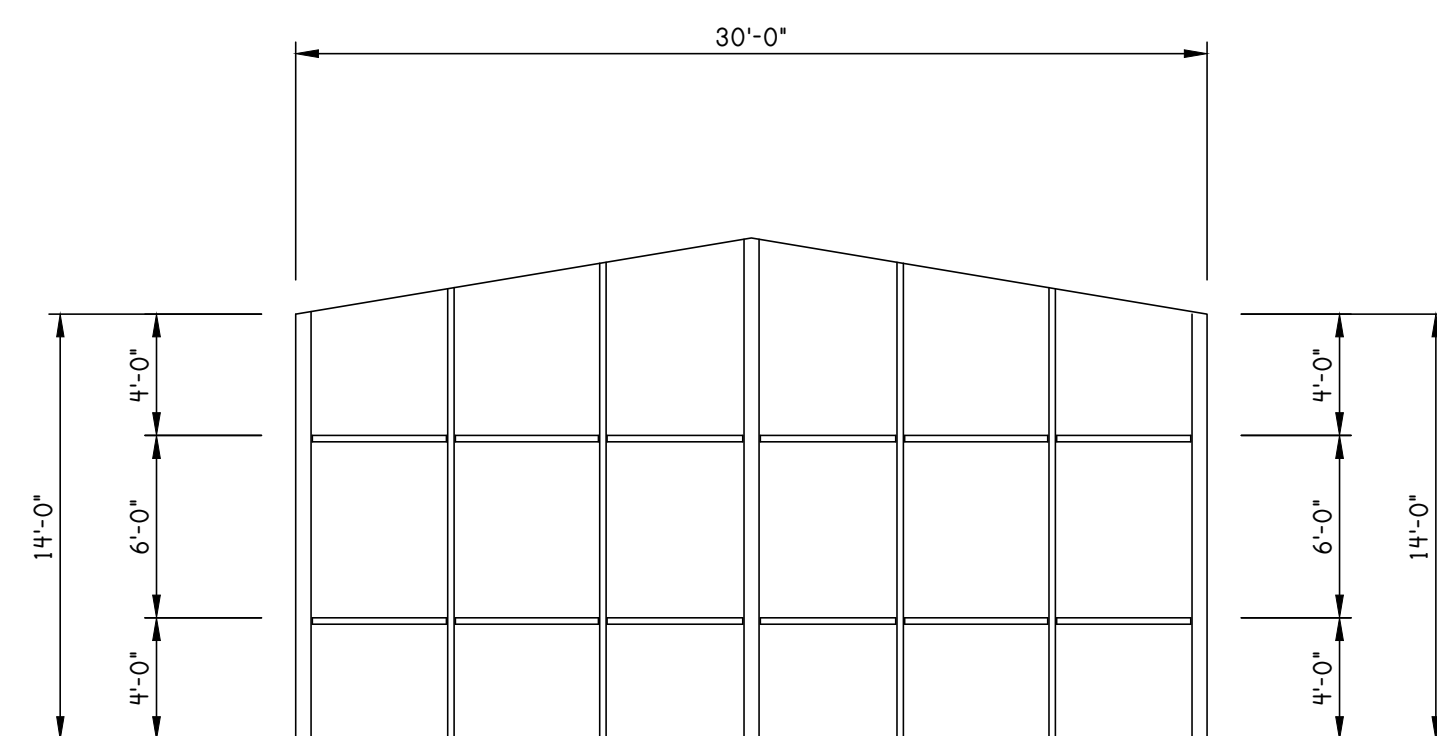
Notes:



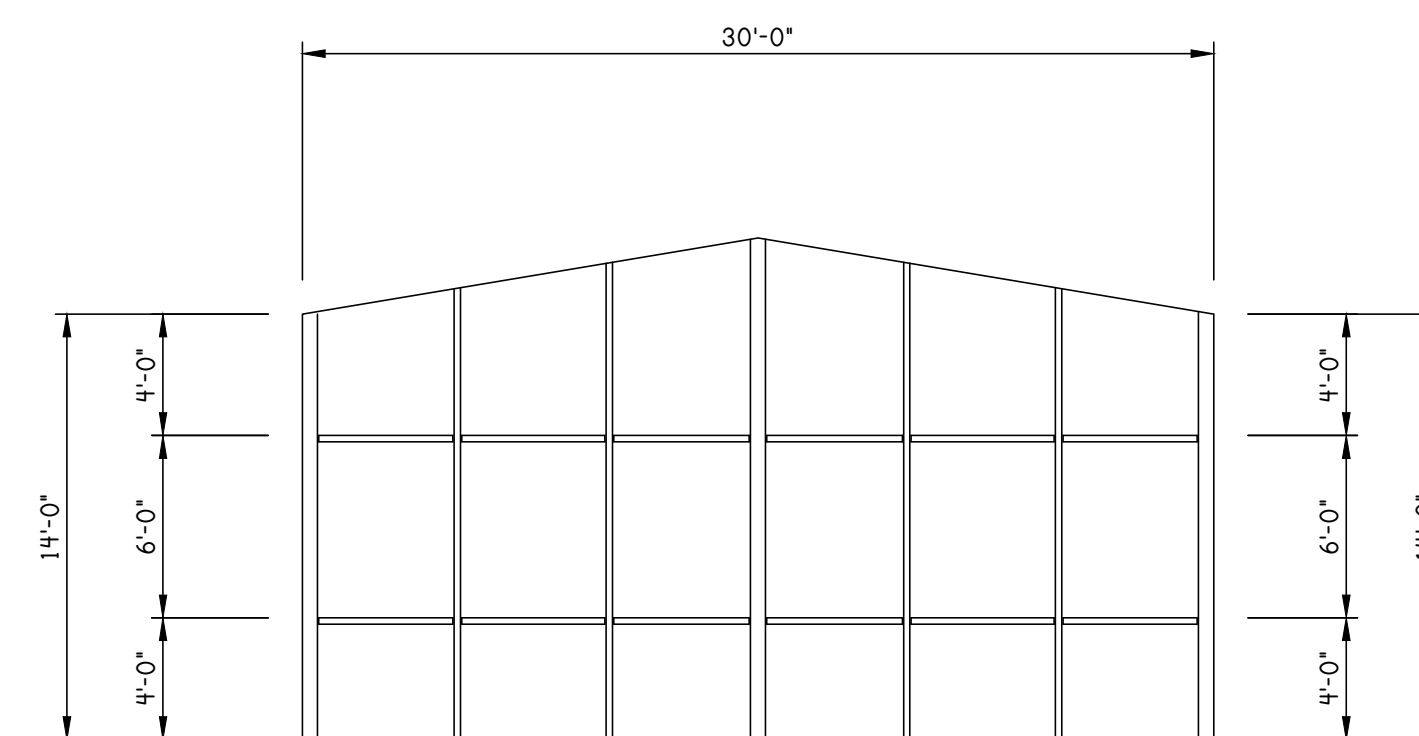
FRONT ELEVATION



REAR ELEVATION



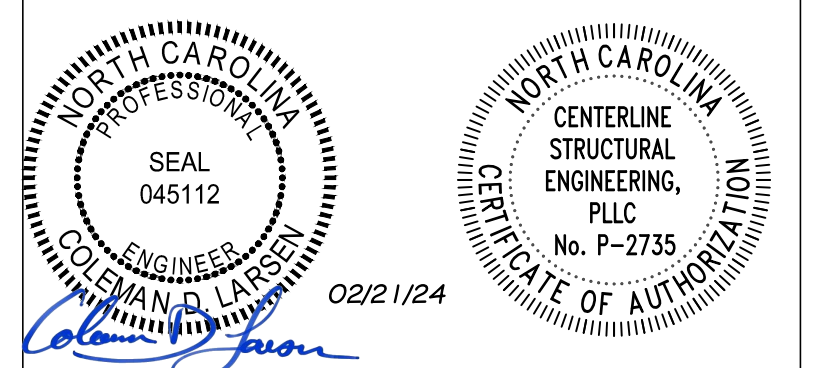
LEFT ELEVATION



RIGHT ELEVATION

GIRT SPACING

NOTE : FIELD CUT LOWER GIRT AT WALKDOOR AS REQUIRED.



REV:	DESCRIPTION:	BY:	DATE:
STATUS: CONSTRUCTION ISSUE			

12226-33772-S4



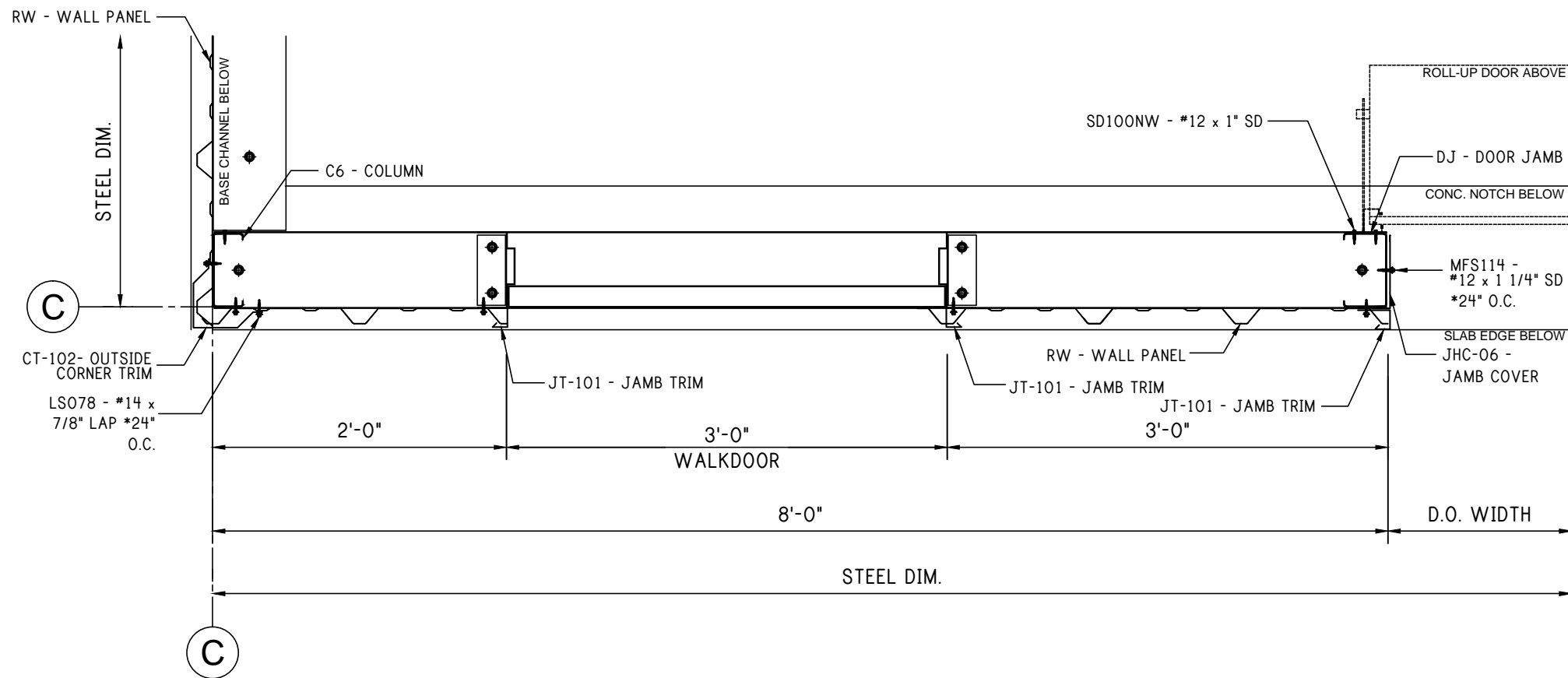
CLIENT: P.O. BOX 1275
Madison, GA 30650
Phone: (844) 333-7325
Fax: (706) 343-1968

SITE: FUQUAY VARINA
NC 27526

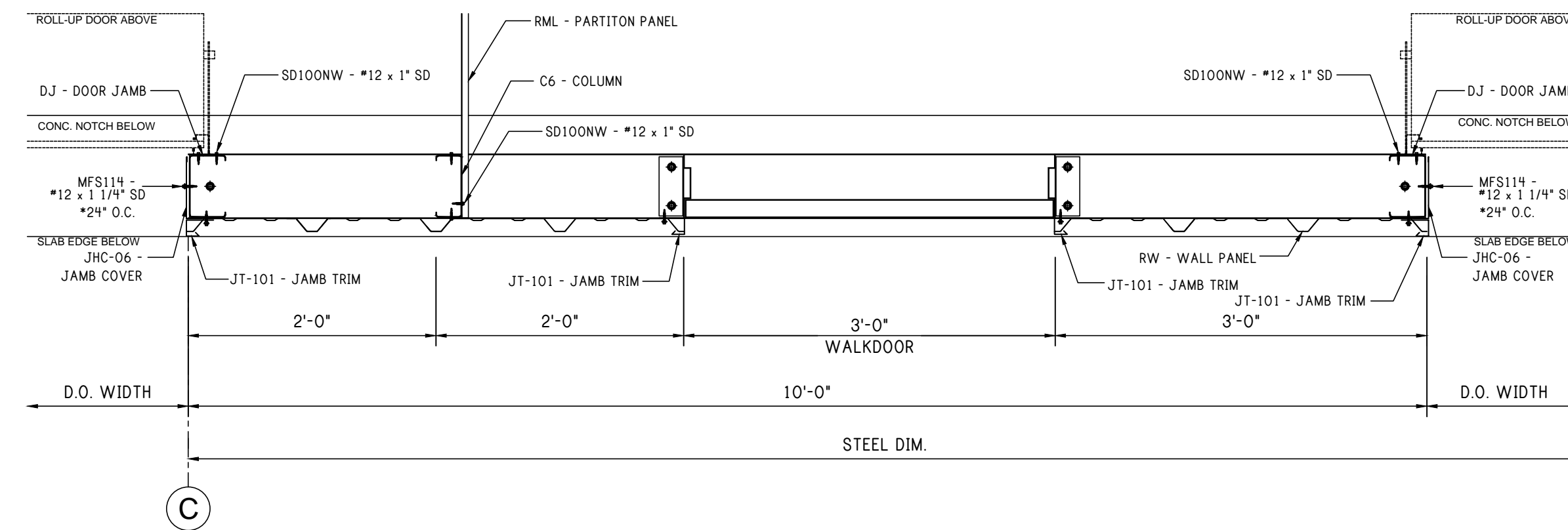
TITLE: 30' x 140' x 14'-0" Gable

SIZE:	DATE:	DRAWN:	CHECKED:
	02/16/24	NMB	ALI
SHEET NO:	DRAWING NO:	REVISION:	
5A of 8	12226-33772-S4		

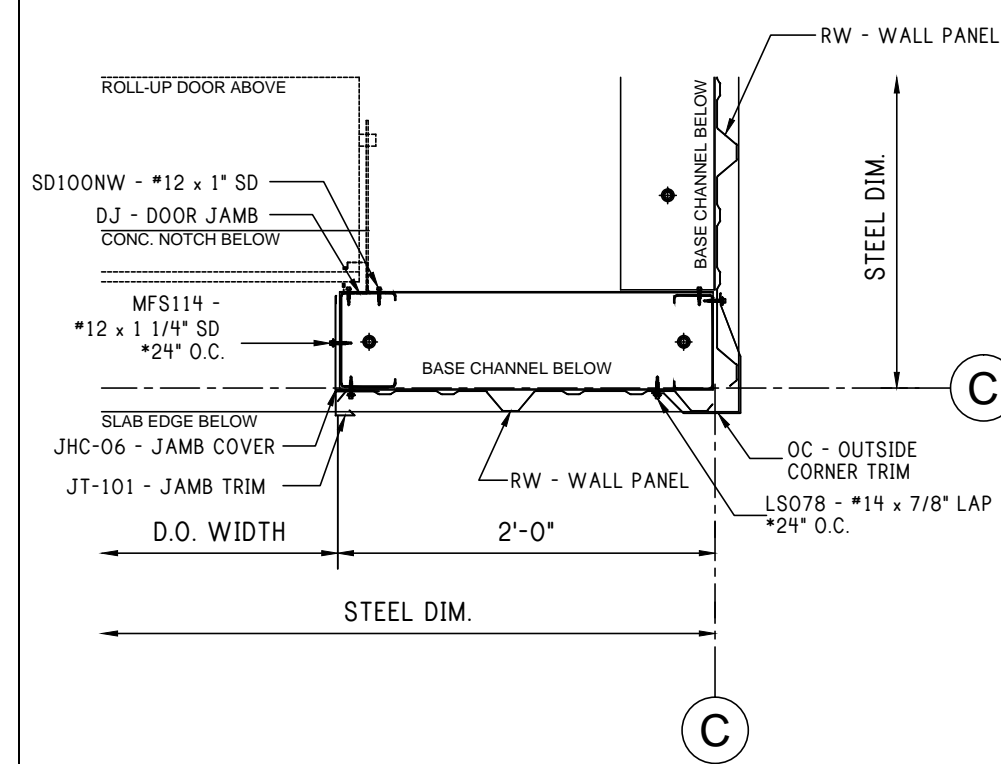
Notes:



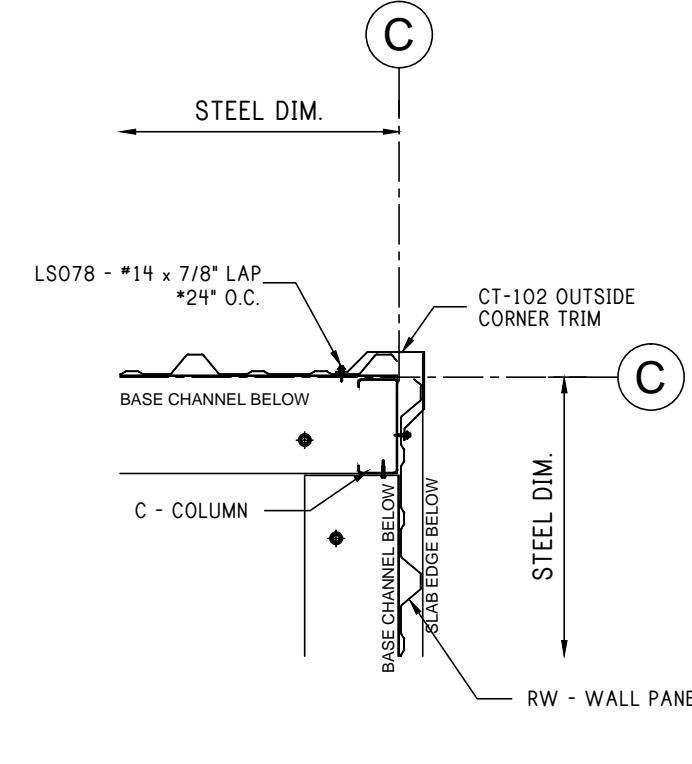
7 96° DOOR JAMB AT CORNER



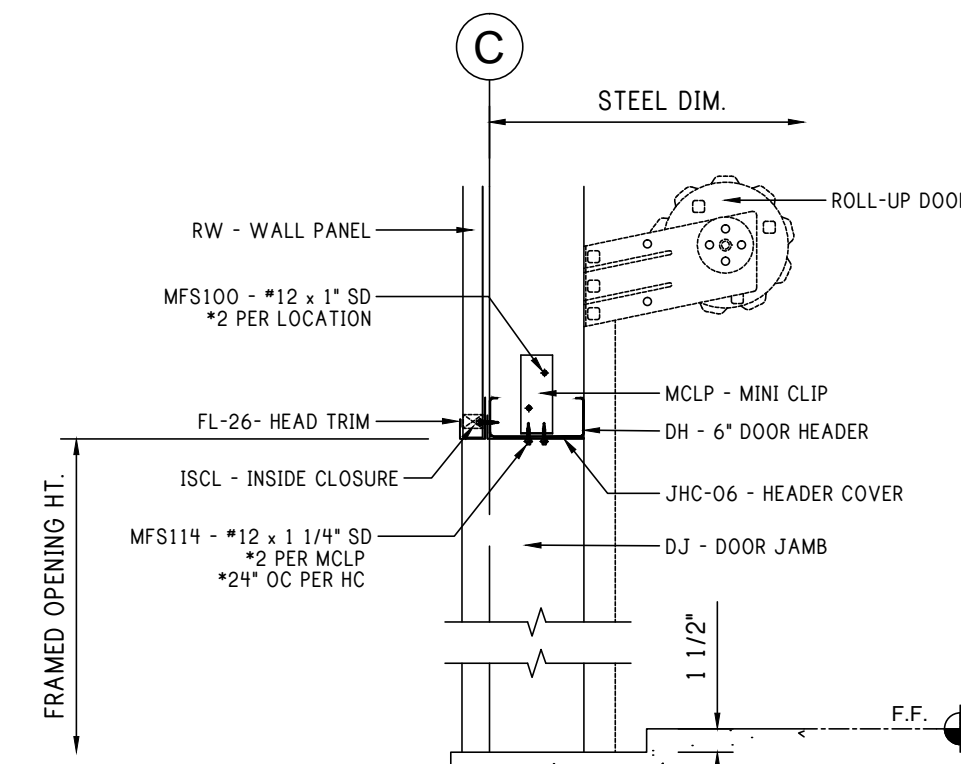
8 120° DOOR JAMB



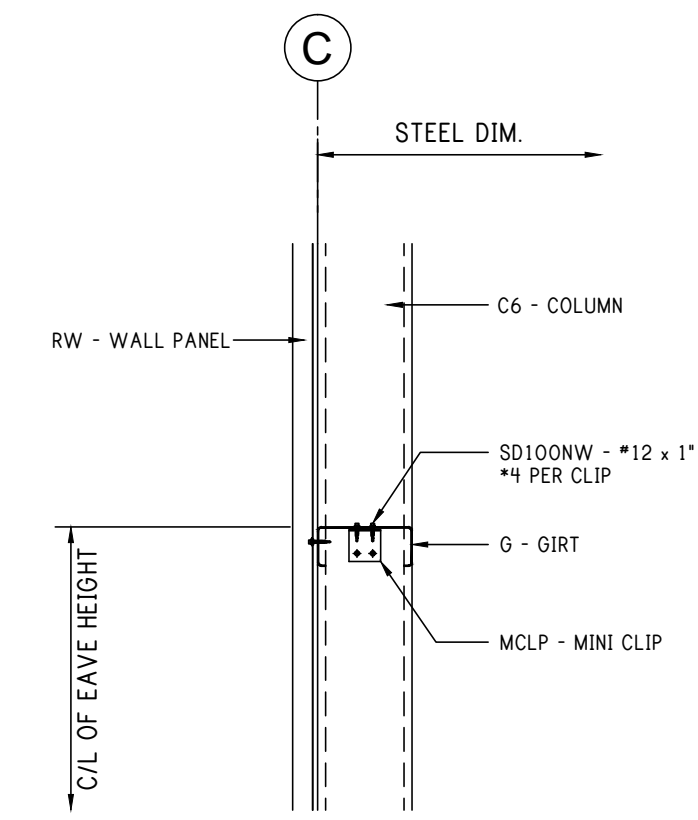
9 24° DOOR JAMB AT CORNER



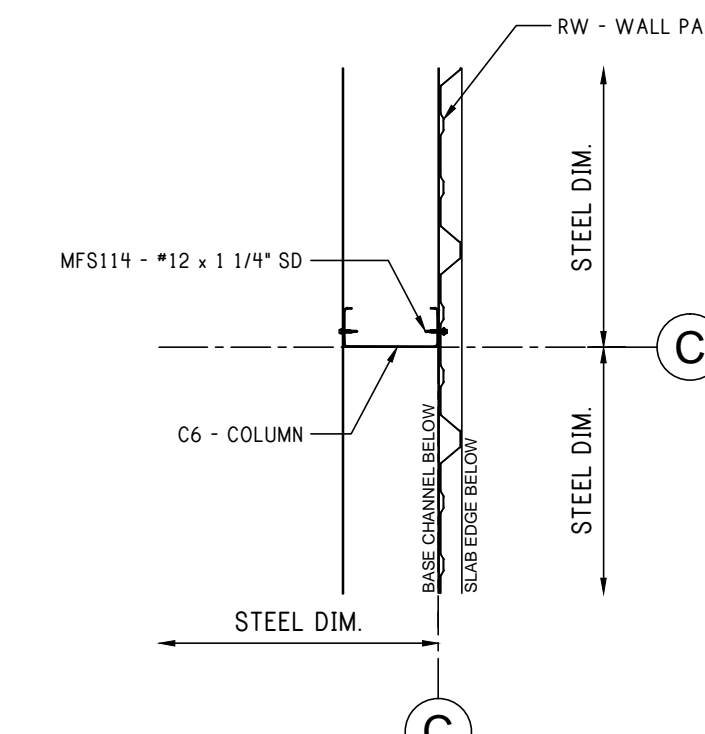
10 OUTSIDE CORNER



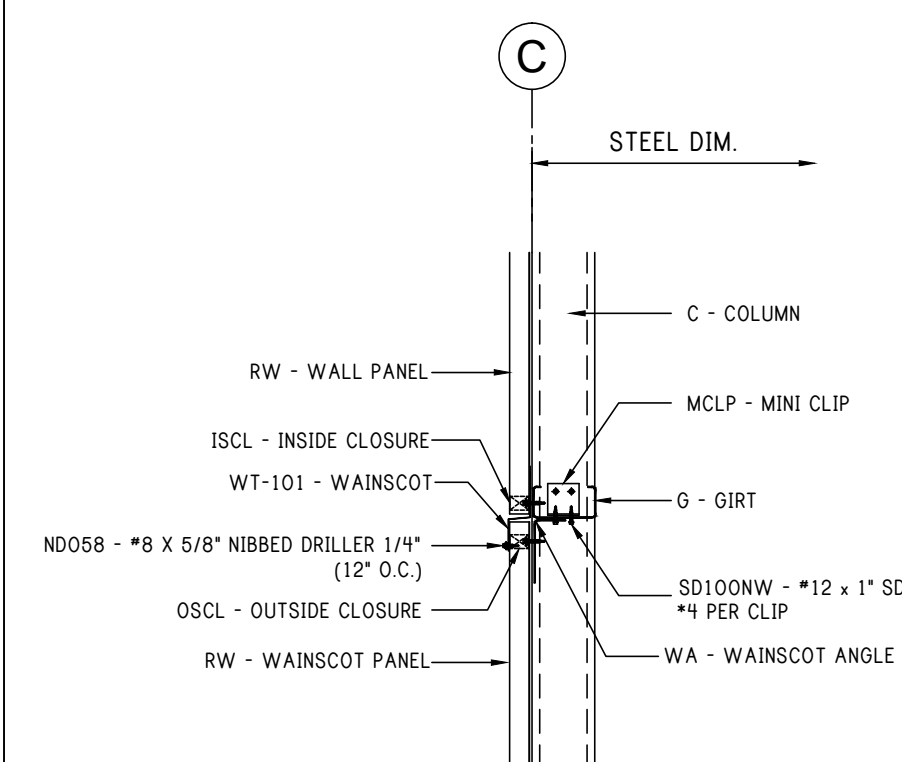
11 DOOR HEADER



12 6" GIRT - TYPICAL

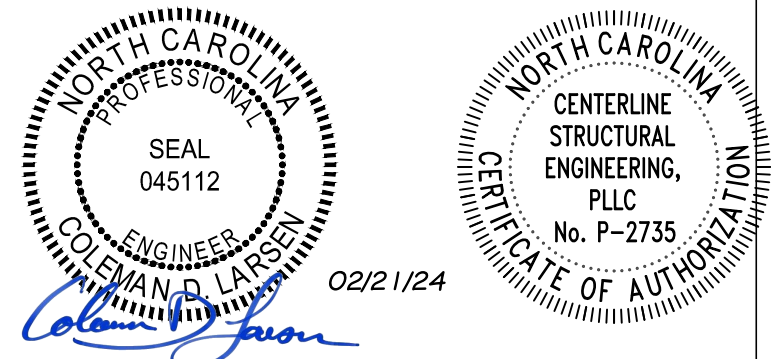


13 COLUMN AT WALL



13A WAINSCOT TRANSITION

FRAMING DETAILS



REV: DESCRIPTION: BY: DATE:
STATUS: CONSTRUCTION ISSUE

12226-33772-S4



CLIENT: P.O. BOX 1275
Madison, GA 30650
Phone: (844) 333-7325
Fax: (706) 343-1968

SITE: FUQUAY VARINA
NC 27526

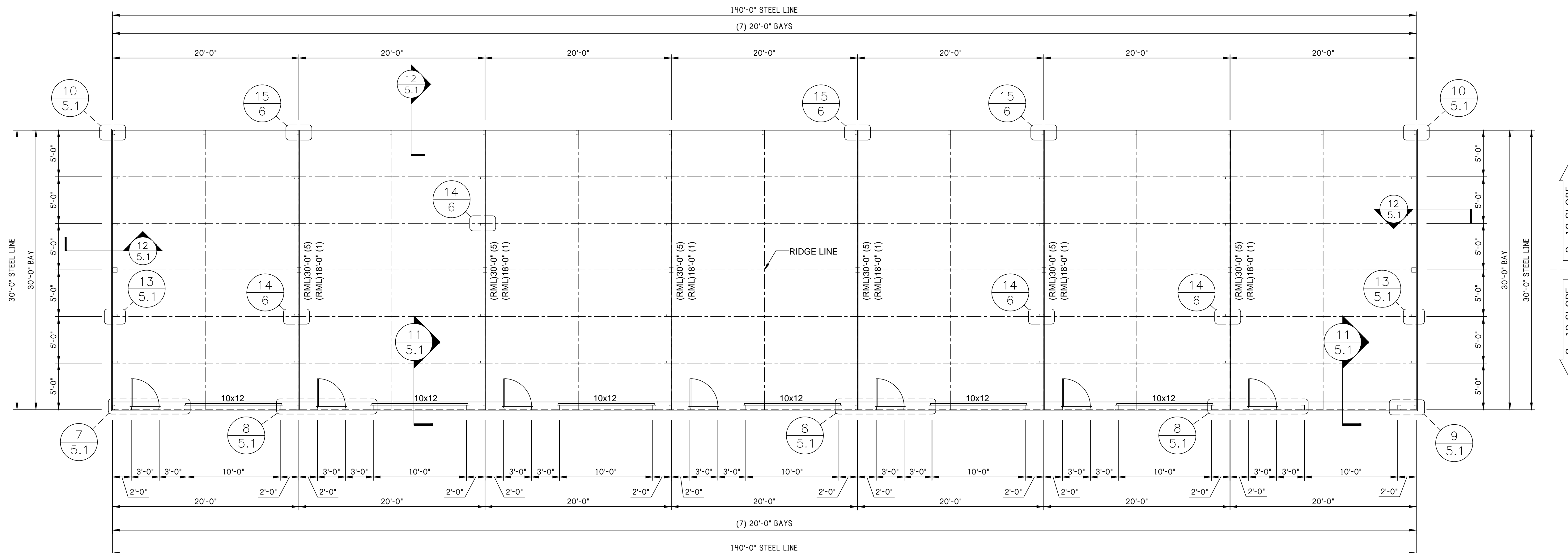
TITLE: 30' x 140' x 14'-0" Gable

DATE: 02/16/24	DRAWN: NMB	CHECKED: ALI
SHEET NO: 5.1 of 8	DRAWING NO: 12226-33772-S4	REVISION:

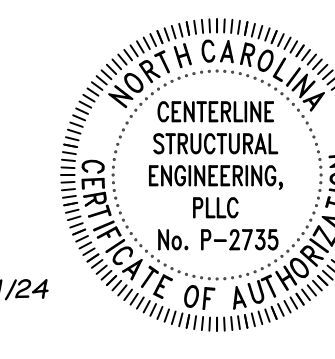
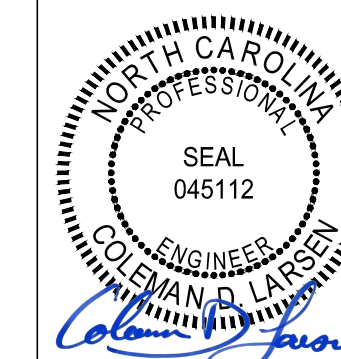
CONFIDENTIAL AND PROPRIETARY INFORMATION

THE INFORMATION AND DESIGNS CONTAINED IN THIS DRAWING ARE CONFIDENTIAL AND PROPRIETARY. NEITHER THIS DESIGN NOR ANY INFORMATION CONTAINED IN THIS DRAWING MAY BE REPRODUCED OR DISCLOSED TO OTHERS WITHOUT EXPRESS WRITTEN CONSENT.

Notes:



PARTITION PLAN



REV: DESCRIPTION: BY: DATE:
STATUS: CONSTRUCTION ISSUE

12226-33772-S4



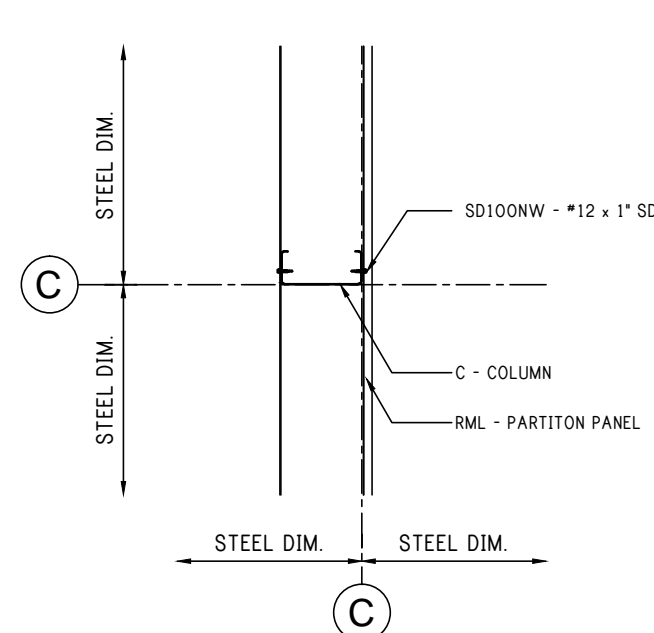
CLIENT: P.O. BOX 1275
Madison, GA 30650
Phone: (844) 333-7325
Fax: (706) 343-1968

SITE: FUQUAY VARINA
NC 27526

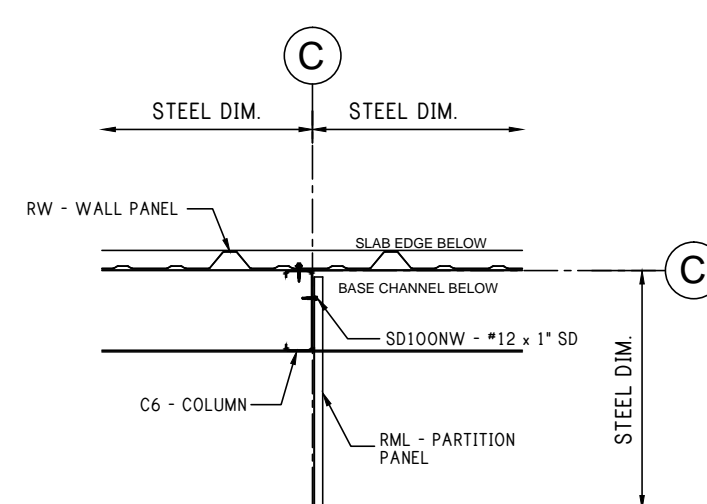
TITLE: 30' x 140' x 14'-0" Gable

SIZE: DATE: 02/16/24 DRAWN: NMB CHECKED: ALI
SHEET NO: DRAWING NO: 12226-33772-S4 REVISION:

6 of 8

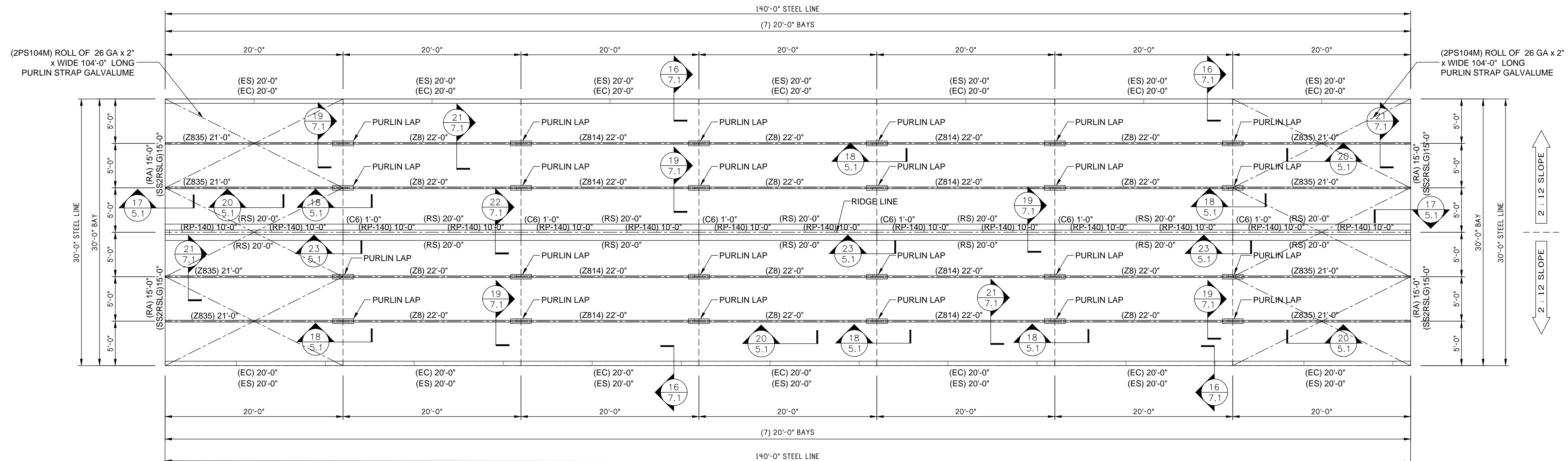


14 CHANNEL AT COLUMN



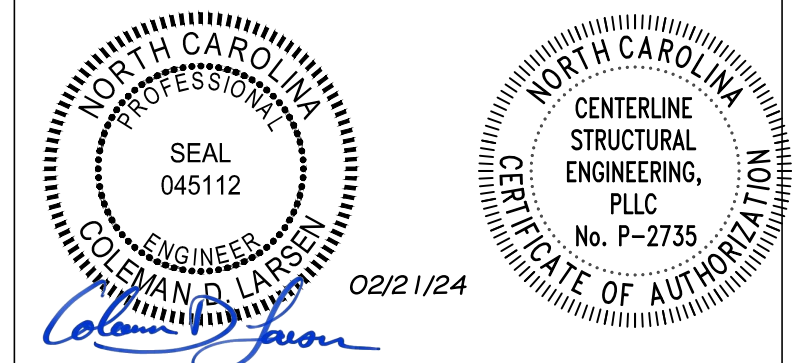
15 PARTITION AT WALL

Notes:



RAFTER PLAN

NOTE : ADD STRAPPING (502PS104M) IN EACH 25'-0" BAY FROM FRONT SIDE WALL TO BACK SIDE WALL. SEE STRAPPING DETAIL BELOW (PAGE 7.1) USE THE SAME STRAPPING TO CREATE X-BRACING THAT WILL TERMINATE INTO THE SHEAR WALLS. THE X CAN TIE IN EVERY OTHER PURLIN SPACE EXCEPT THAT IT WILL NEED TO TERMINATE A AN INTERIOR WALL AS SHOWN.



REV:	DESCRIPTION:	BY:	DATE:
STATUS: CONSTRUCTION ISSUE			

12226-33772-S4



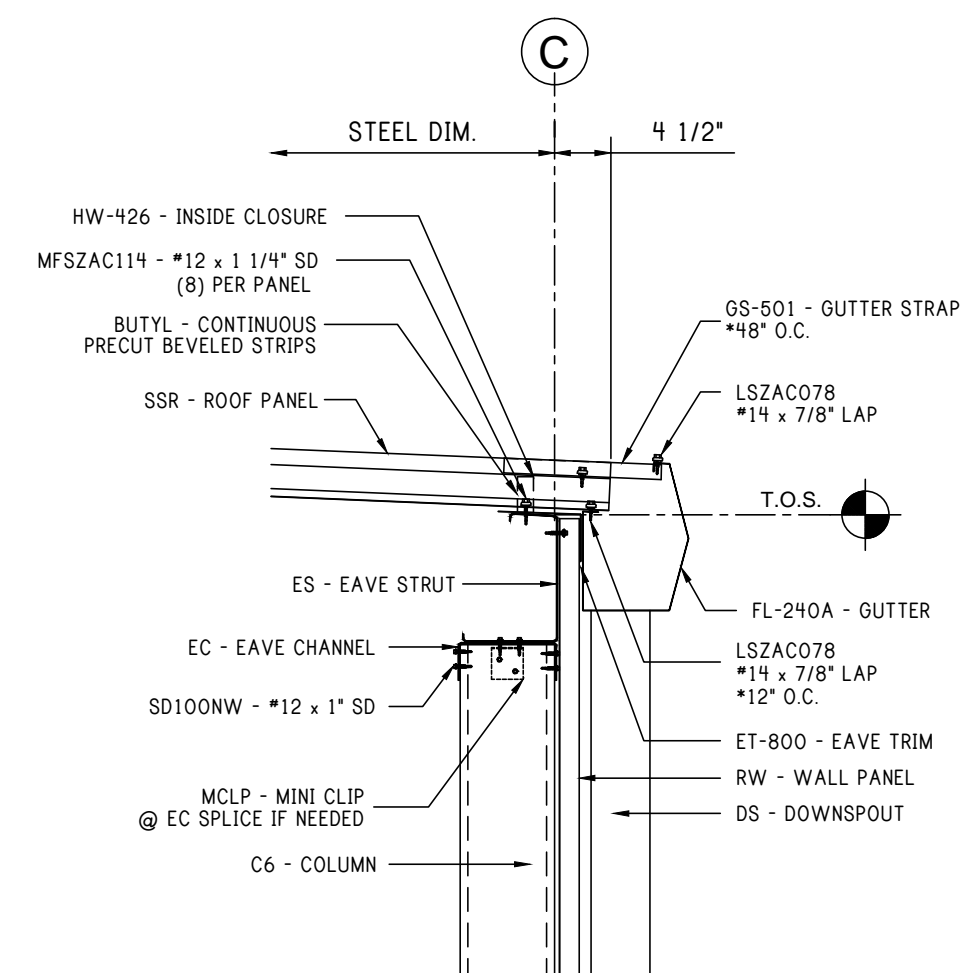
CLIENT: P.O. BOX 1275
Madison, GA 30650
Phone: (844) 333-7325
Fax: (706) 343-1968

SITE: FUQUAY VARINA
NC 27526

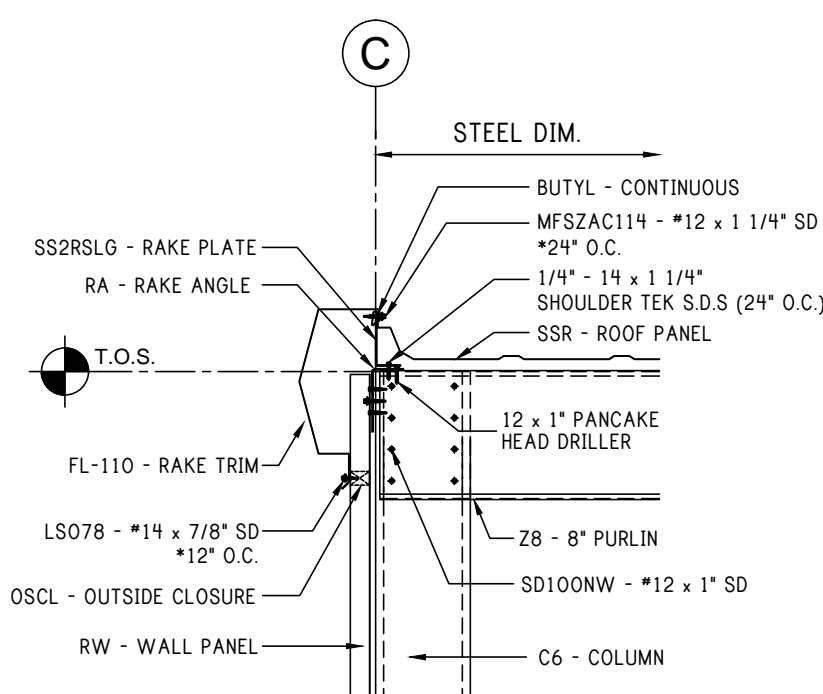
TITLE: 30' x 140' x 14'-0" Gable

SIZE:	DATE:	DRAWN:	CHECKED:
SHEET NO:	DRAWING NO:	REVISION:	
7 of 8	12226-33772-S4	NMB	ALI

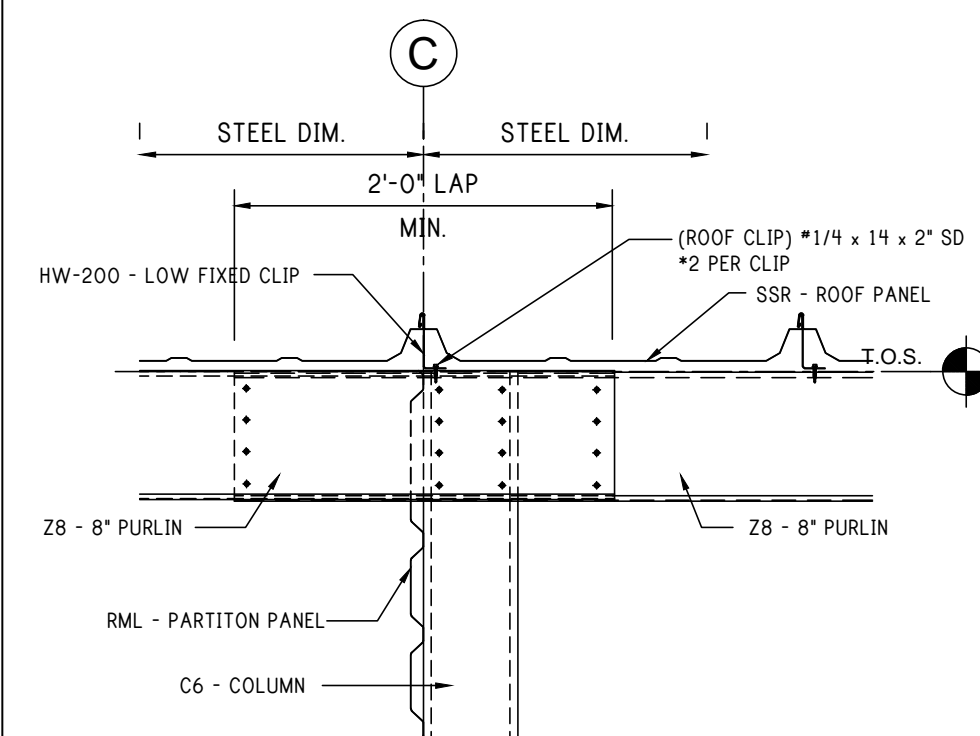
Notes:



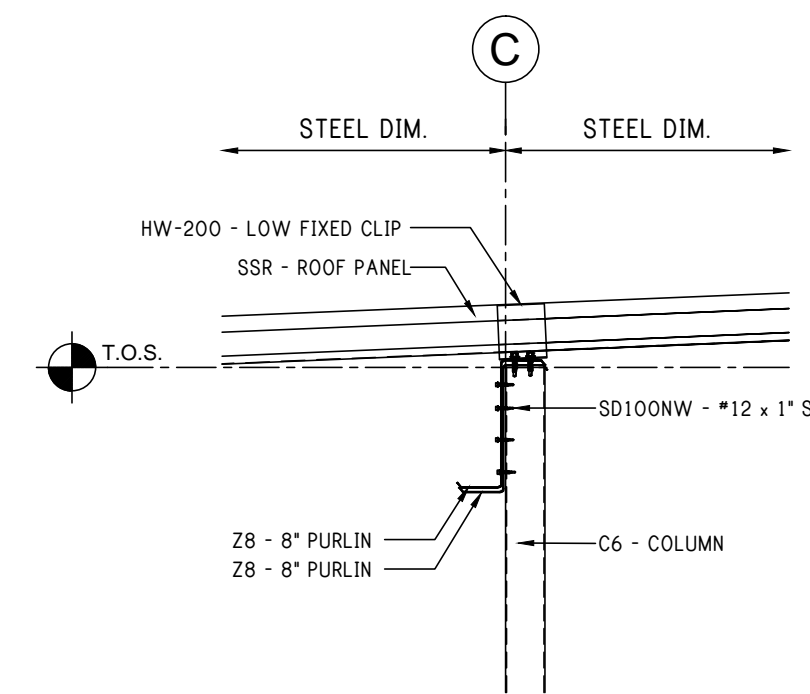
16 LOW EAVE w/ GUTTER



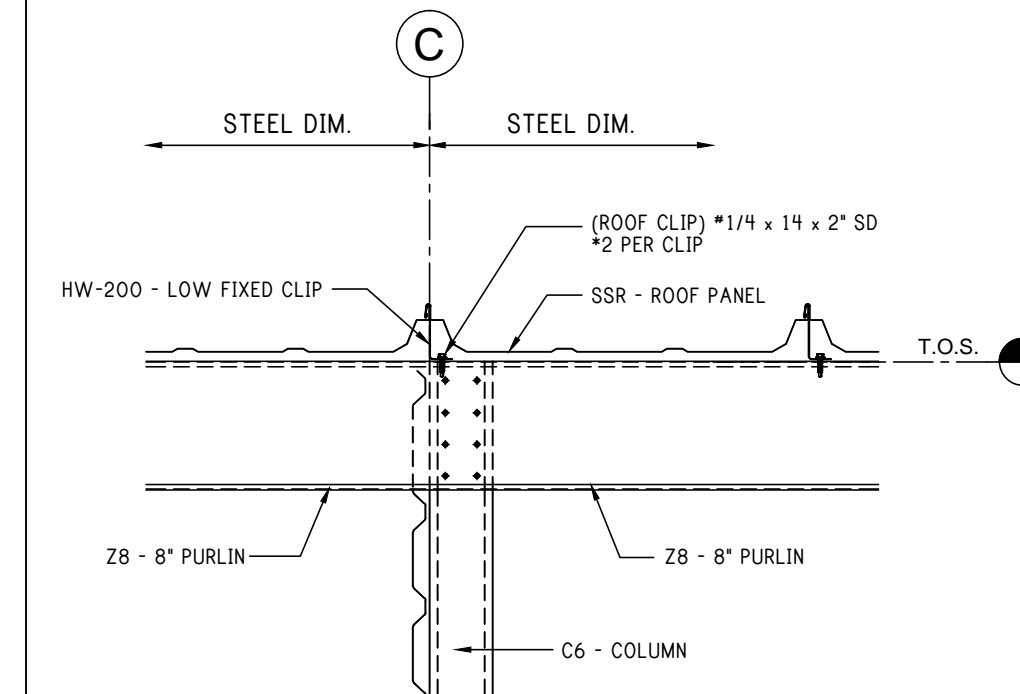
17 RAKE AT 8 PURLIN



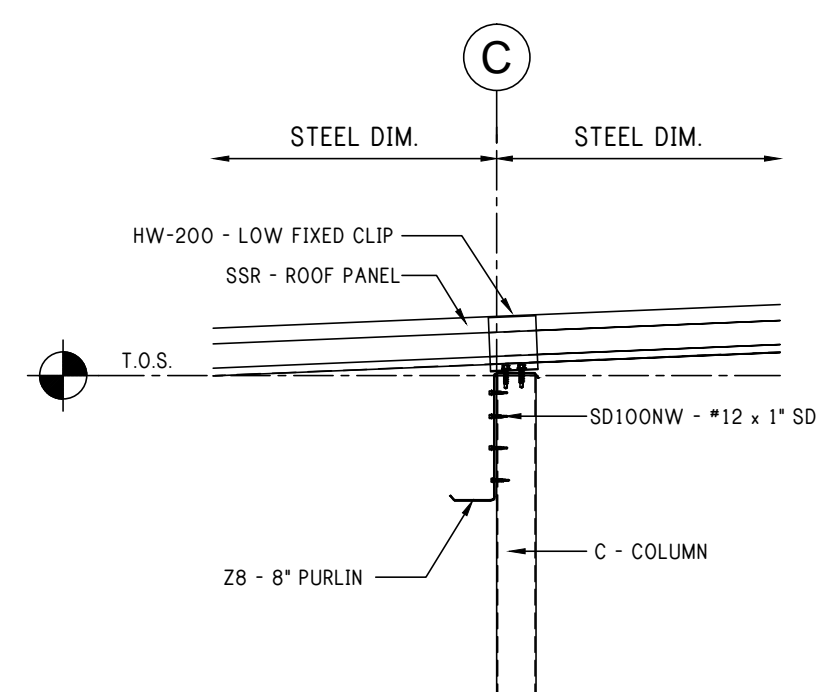
18 8 PURLIN LAP SIDE VIEW



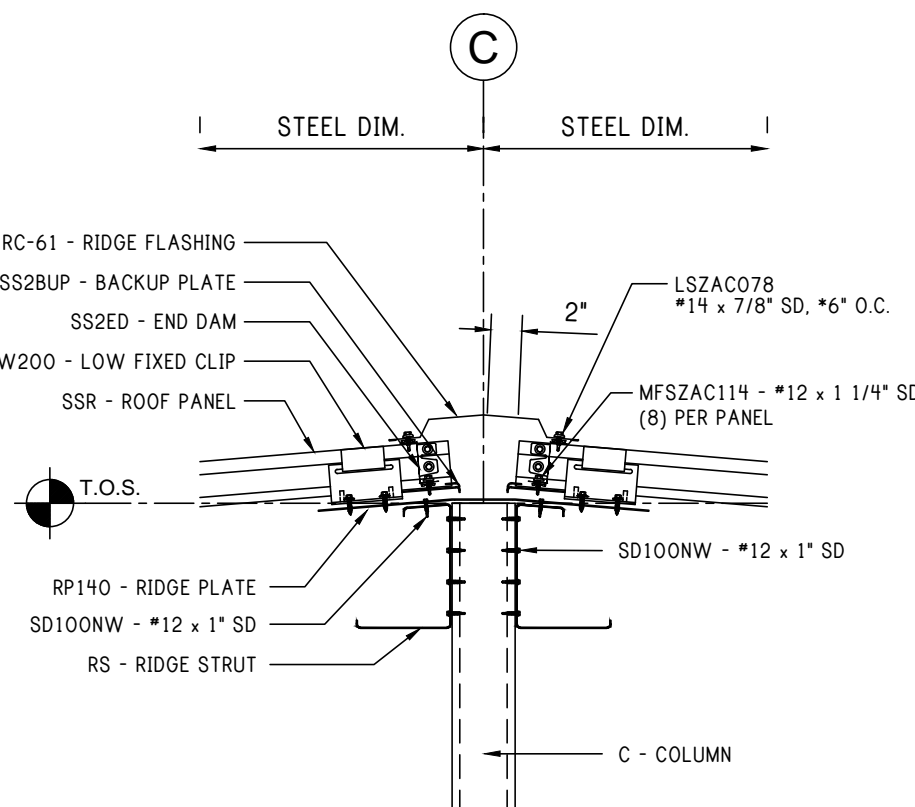
19 8 PURLIN LAP SECTION VIEW



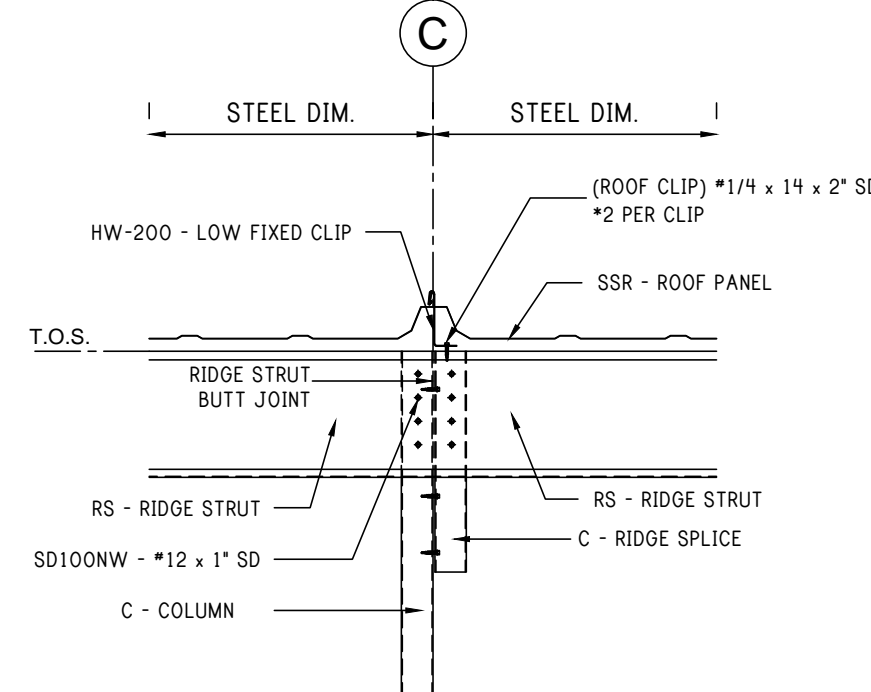
20 8 PURLIN SIDE VIEW



21 8 PURLIN SECTION VIEW

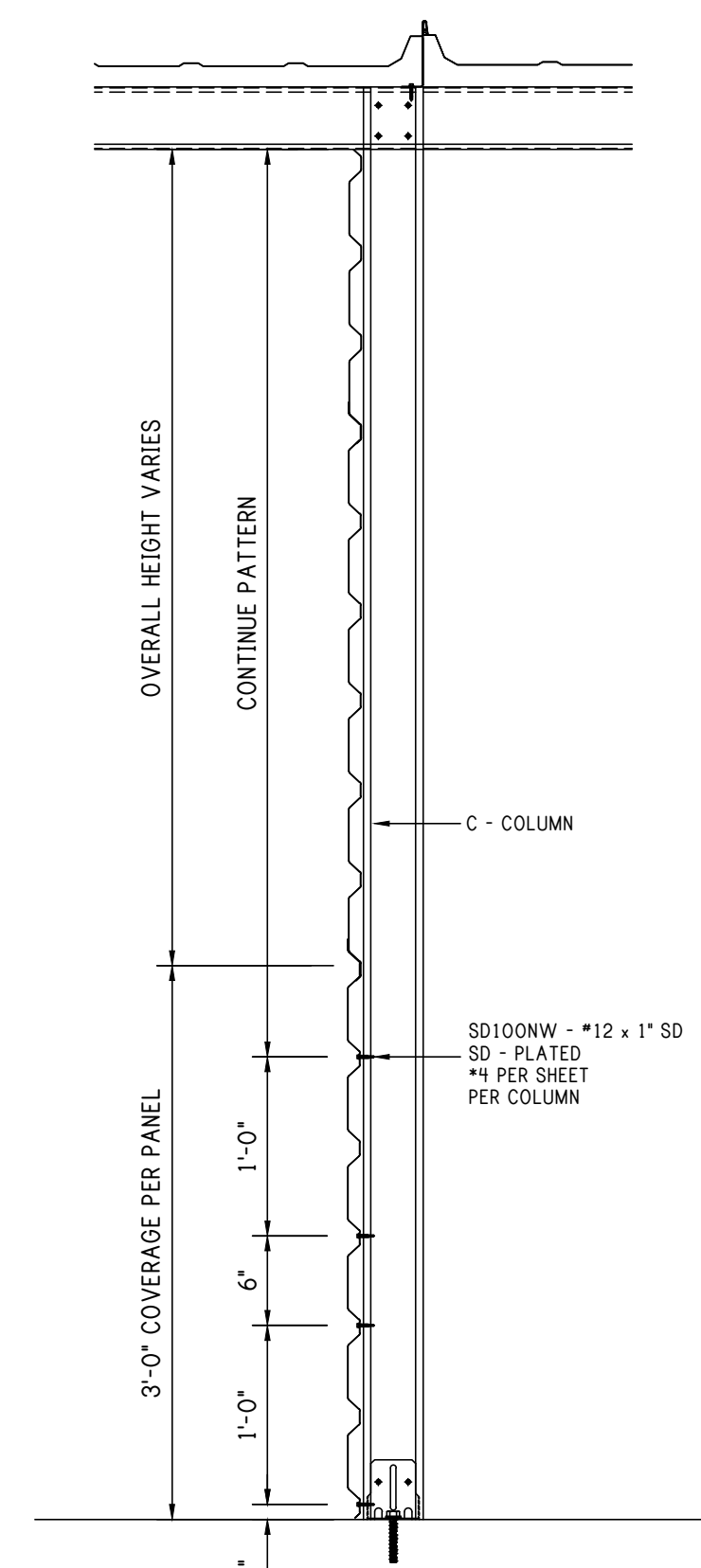


22 RIDGE STRUT @ SPLICE

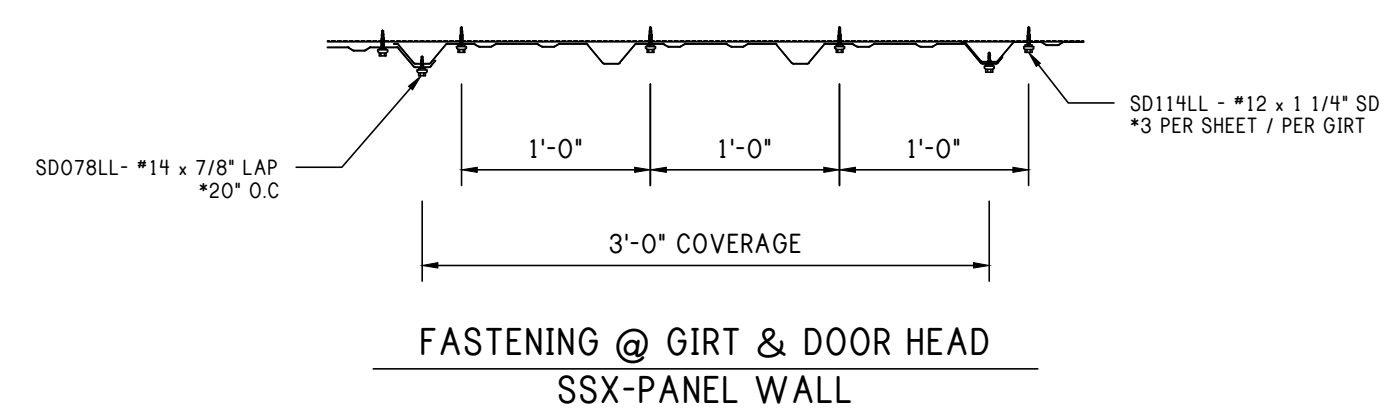


23 STRUT SPLICE - SIDE

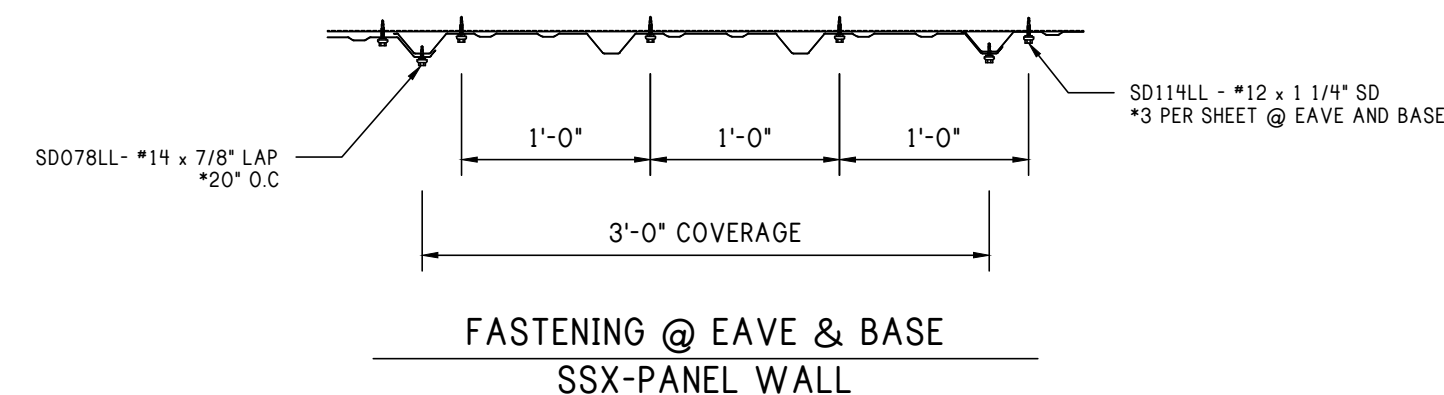
ERECTOR NOTE
TOP PARTITION PANEL MAY BE BACK LAPPED AS NEEDED.



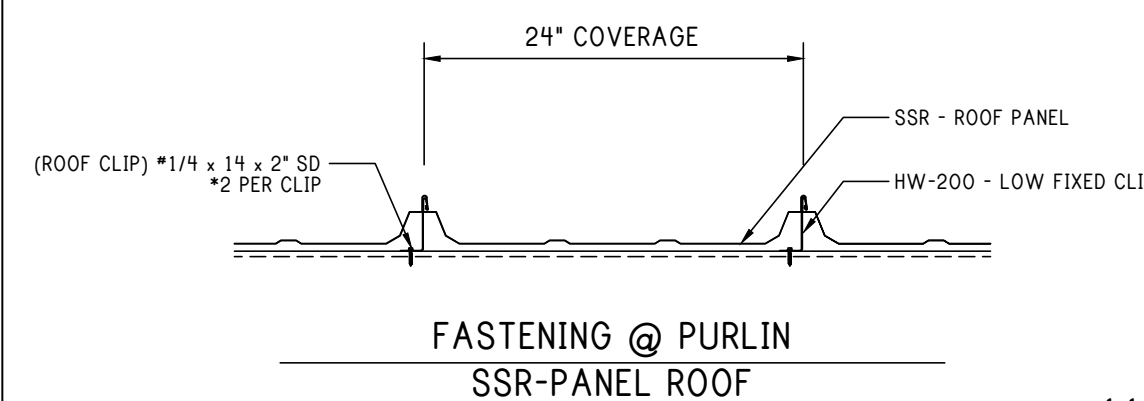
FASTENING LAYOUT @ COLUMN REV. LRX-PANEL PARTITION



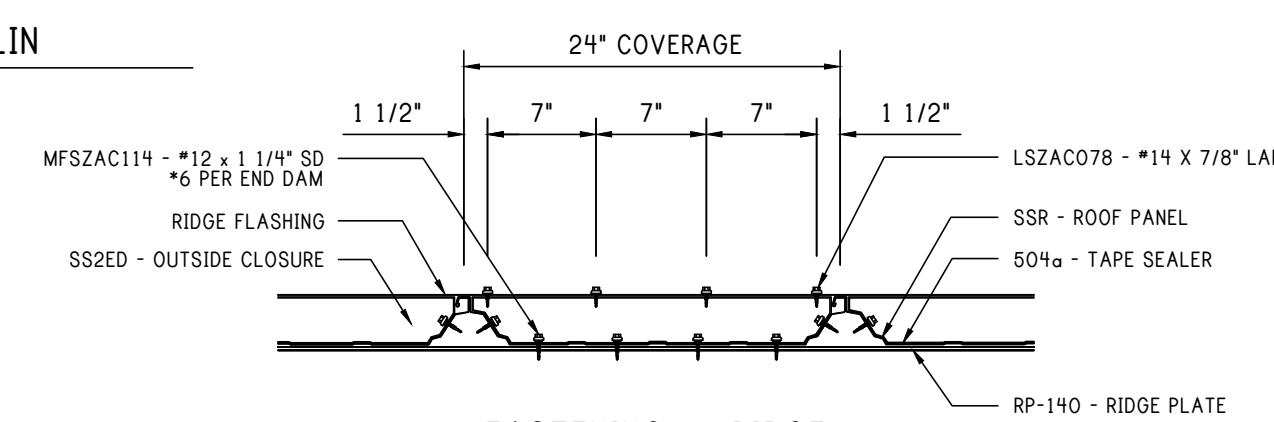
FASTENING @ GIRT & DOOR HEAD SSX-PANEL WALL



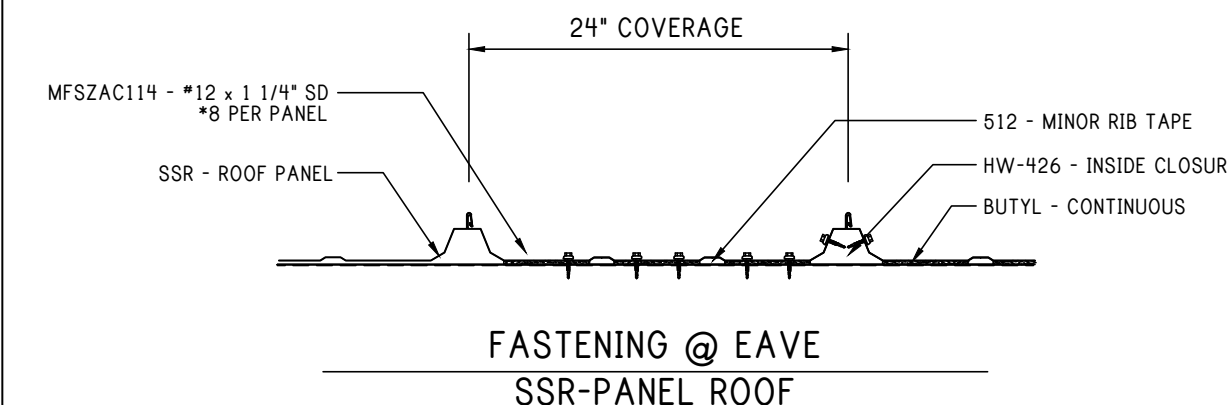
FASTENING @ EAVE & BASE SSX-PANEL WALL



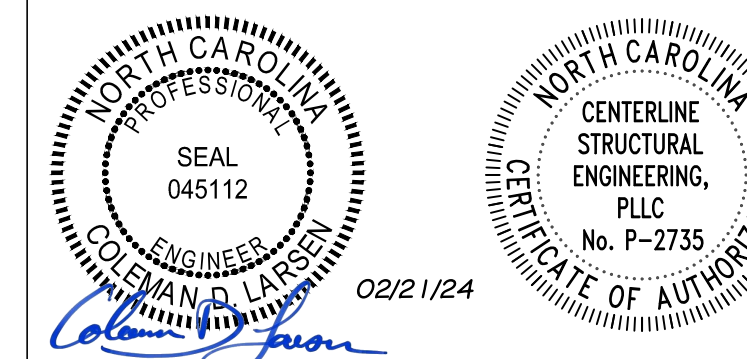
FASTENING @ PURLIN SSR-PANEL ROOF



FASTENING @ RIDGE SSR-PANEL ROOF



FASTENING @ EAVE SSR-PANEL ROOF



REV: DESCRIPTION: BY: DATE:
STATUS: CONSTRUCTION ISSUE

12226-33772-S4

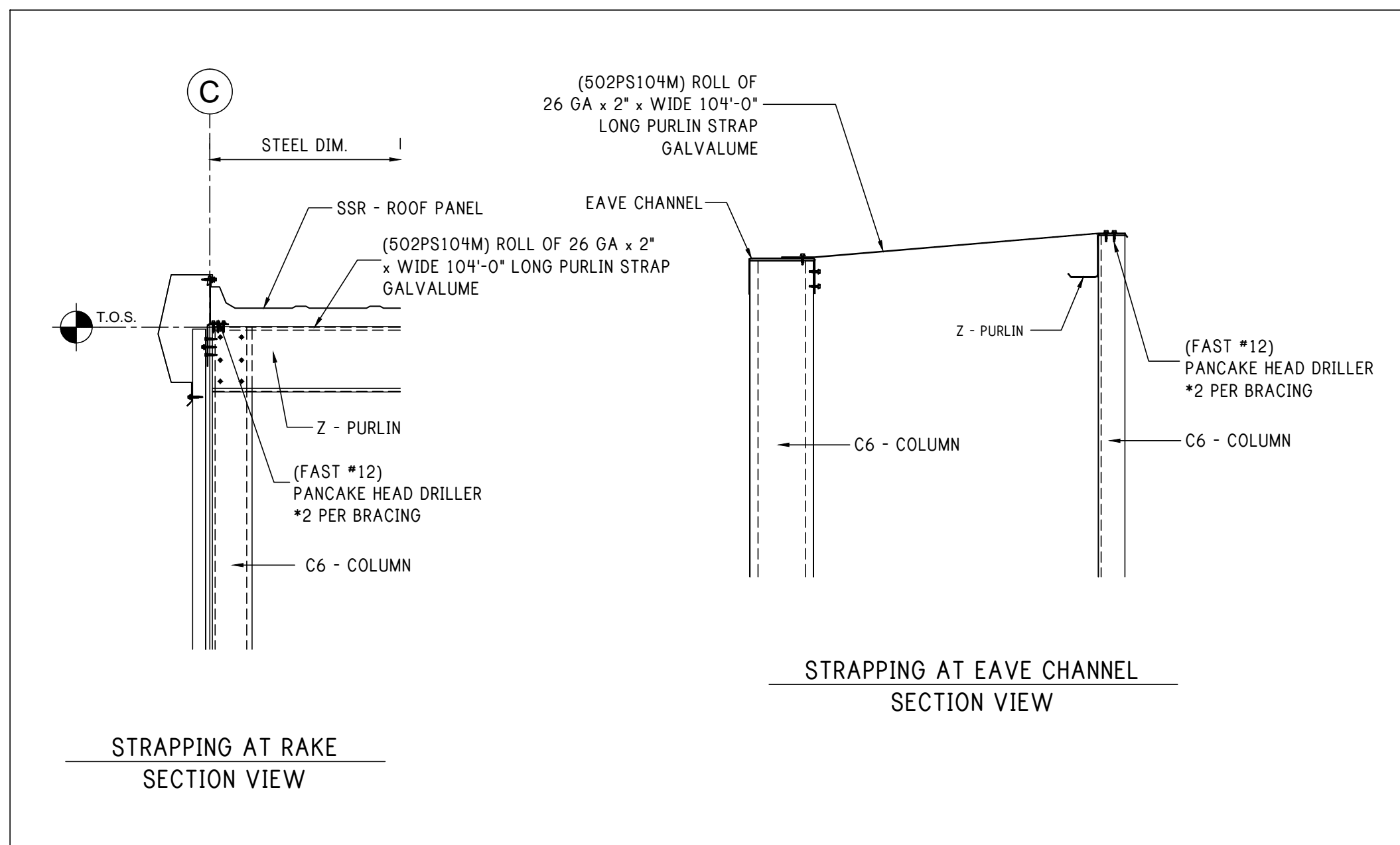


CLIENT: P.O. BOX 1275
Madison, GA 30650
Phone: (844) 333-7325
Fax: (706) 343-1968

SITE: FUQUAY VARINA
NC 27526

TITLE: 30' x 140' x 14'-0" Gable

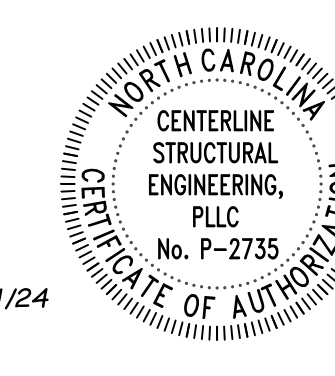
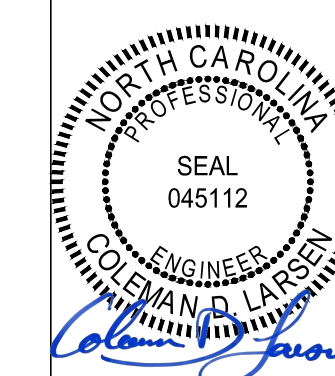
SIZE:	DATE: 02/16/24	DRAWN: NMB	CHECKED: ALI
SHEET NO: 7.1 of 8	DRAWING NO: 12226-33772-S4	REVISION:	



CONFIDENTIAL AND PROPRIETARY INFORMATION

THE INFORMATION AND DESIGNS CONTAINED IN THIS DRAWING ARE CONFIDENTIAL AND PROPRIETARY. NEITHER THIS DESIGN NOR ANY INFORMATION CONTAINED IN THIS DRAWING MAY BE REPRODUCED OR DISCLOSED TO OTHERS WITHOUT EXPRESS WRITTEN CONSENT.

Notes:



02/21/24

REV:	DESCRIPTION:	BY:	DATE:
STATUS: CONSTRUCTION ISSUE			

12226-33772-S4



CLIENT:
P.O. BOX 1275
Madison, GA 30650
Phone: (844) 333-7325
Fax: (706) 343-1968

SITE:
FUQUAY VARINA
NC 27526

TITLE:
30' x 140' x 14'-0" Gable

SIZE:	DATE:	DRAWN:	CHECKED:
	02/16/24	NMB	ALI
SHEET NO:	DRAWING NO:	REVISION:	
7.2 of 8	12226-33772-S4		

CONFIDENTIAL AND PROPRIETARY INFORMATION

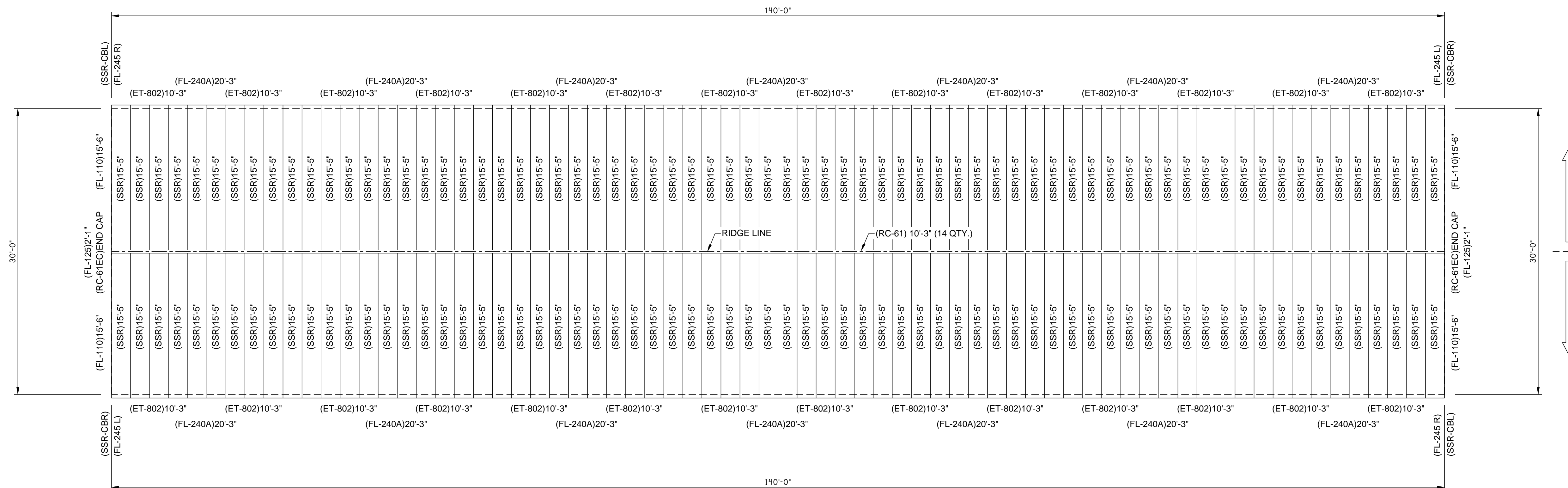
THE INFORMATION AND DESIGNS CONTAINED IN THIS DRAWING ARE CONFIDENTIAL AND PROPRIETARY. NEITHER THIS DESIGN NOR ANY INFORMATION CONTAINED IN THIS DRAWING MAY BE REPRODUCED OR DISCLOSED TO OTHERS WITHOUT EXPRESS WRITTEN CONSENT.

Notes:

- REFER TO MANUFACTURER'S INSTALLATION GUIDE FOR SS-II ROOF INFORMATION AND INSTALLATION INSTRUCTIONS.

CLOSURES

- (114) INSIDE CLOSURES INCLUDED FOR BASE OF EXTERIOR WALL PANELS.
- (20) INSIDE CLOSURES INCLUDED FOR WAINSCOT OF EXTERIOR WALL PANELS.
- (20) OUTSIDE CLOSURES INCLUDED FOR RAKE.
- (20) OUTSIDE CLOSURES INCLUDED FOR WAINSCOT.



ROOF PLAN

Professional Engineer Seal for Coleman D. Laisey, No. P-2735, dated 02/21/24.

REV:	DESCRIPTION:	BY:	DATE:
STATUS:	CONSTRUCTION ISSUE		

12226-33772-S4

PEAK STEEL
 CLIENT: P.O. BOX 1275
 Madison, GA 30650
 Phone: (844) 333-7325
 Fax: (706) 343-1968

SITE: FUQUAY VARINA
 NC 27526

TITLE: 30' x 140' x 14'-0" Gable

SIZE:	DATE:	DRAWN:	CHECKED:
	02/16/24	NMB	ALI
SHEET NO:	DRAWING NO:	REVISION:	
8 of 8	12226-33772-S4		