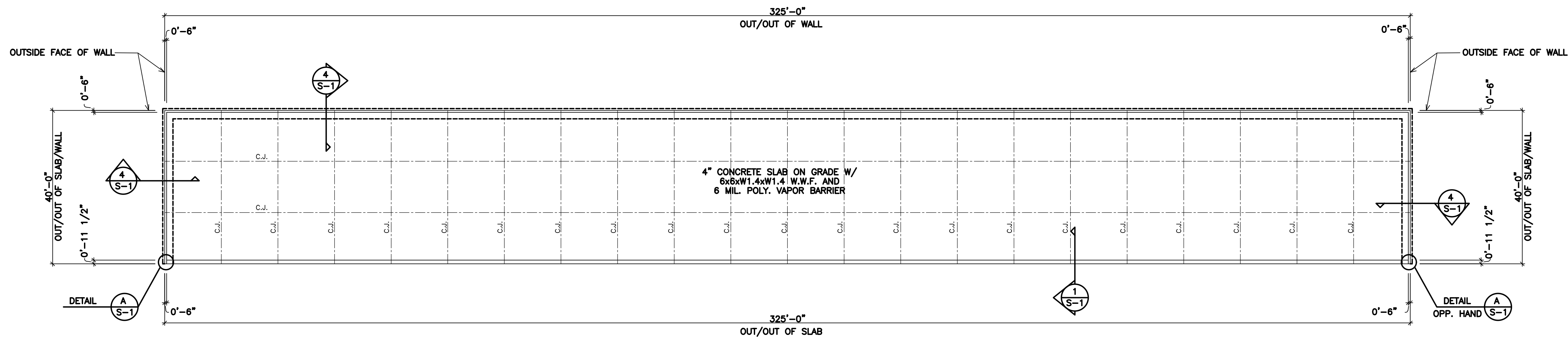
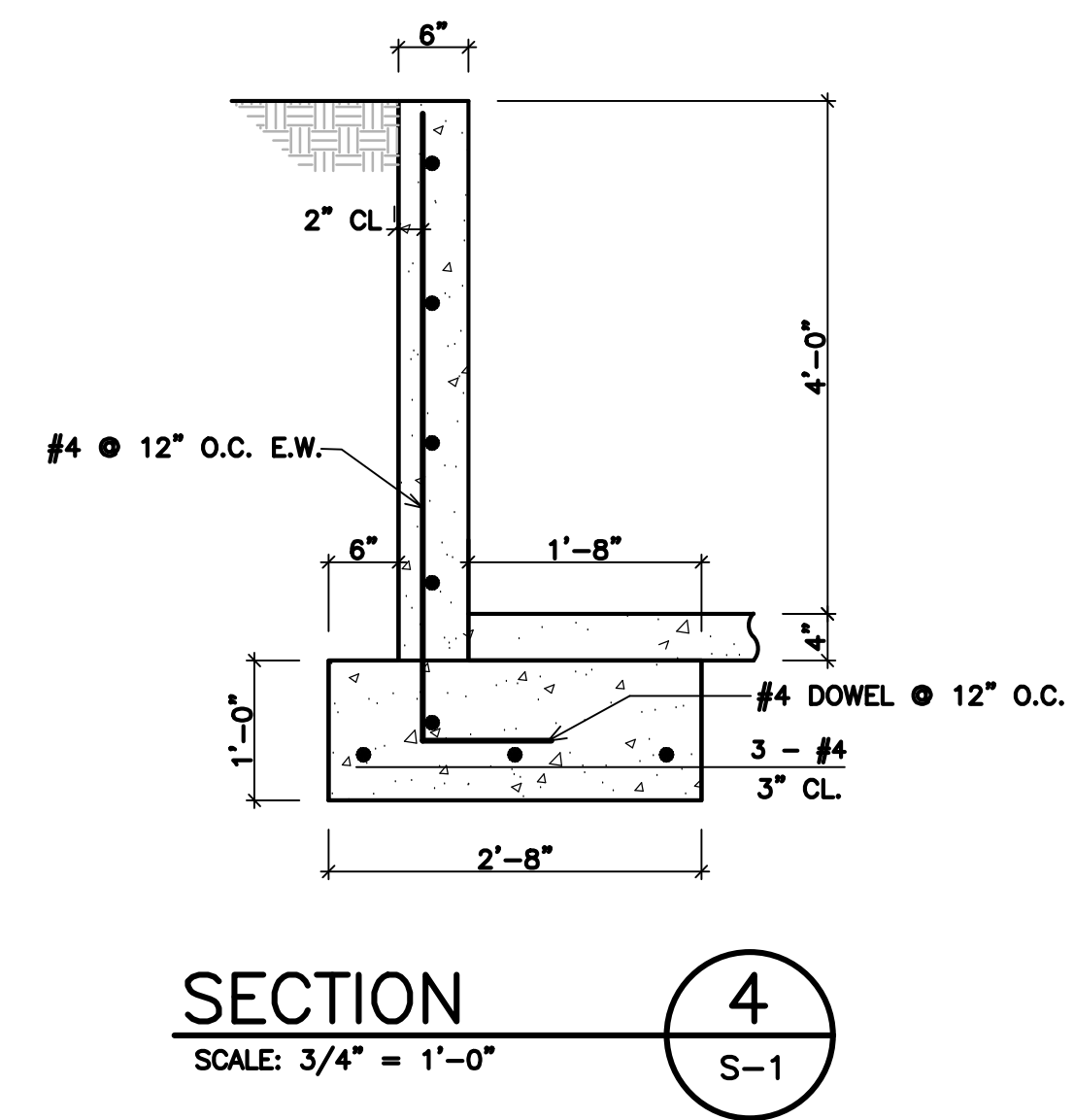
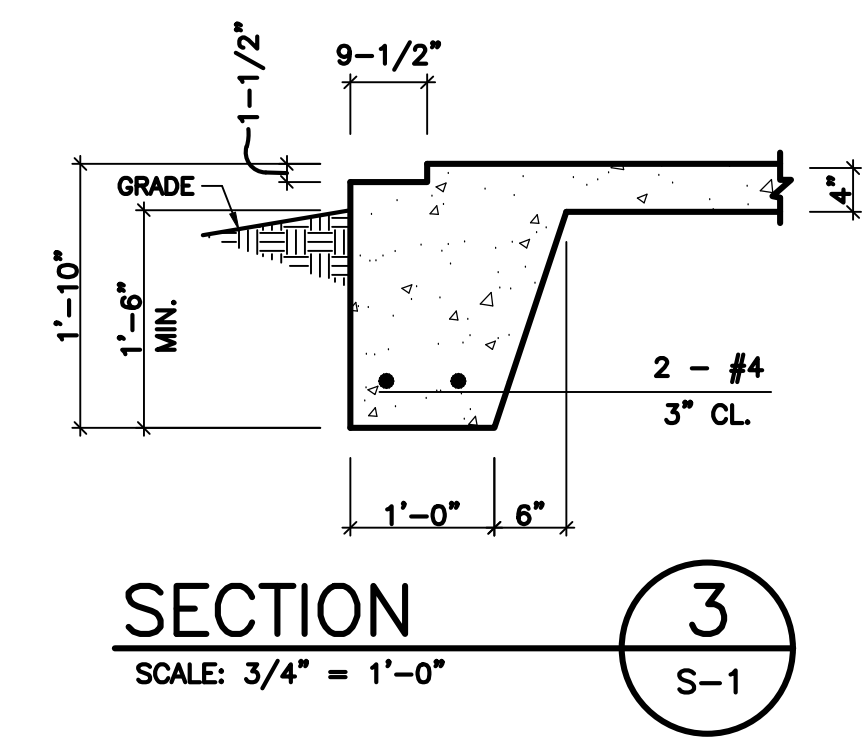
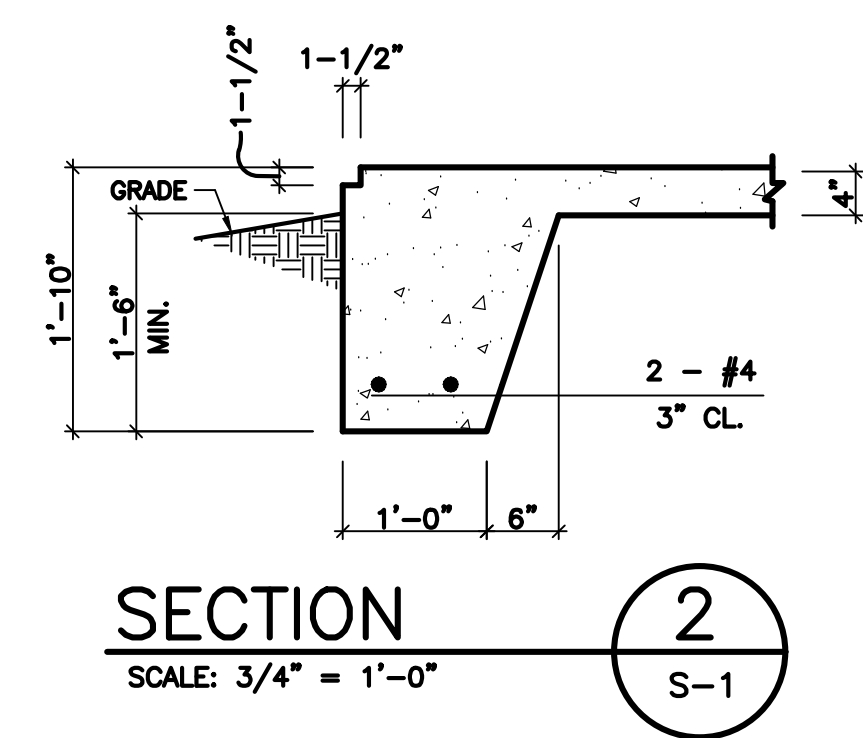
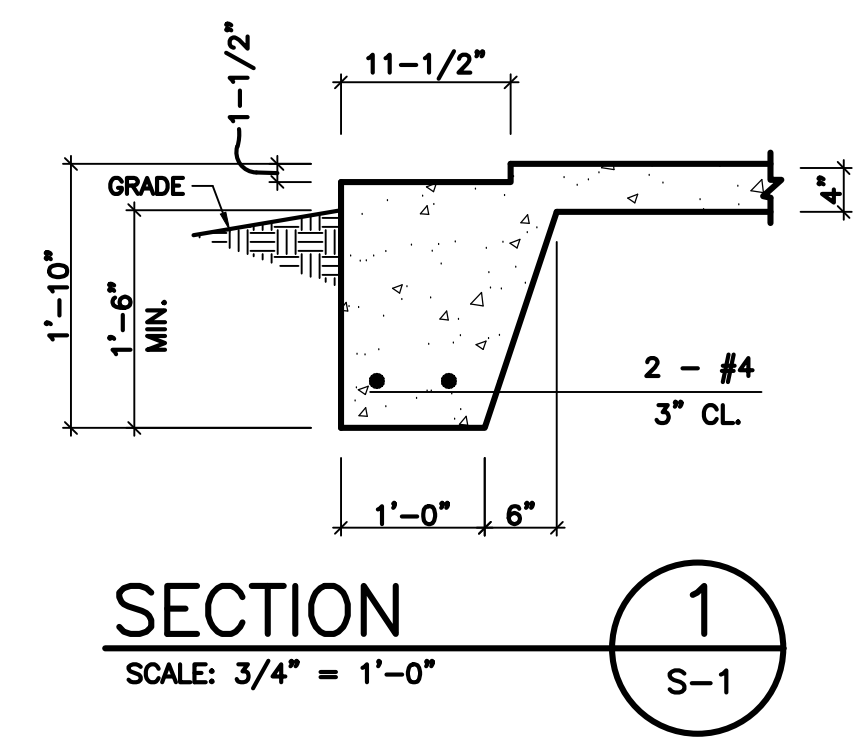
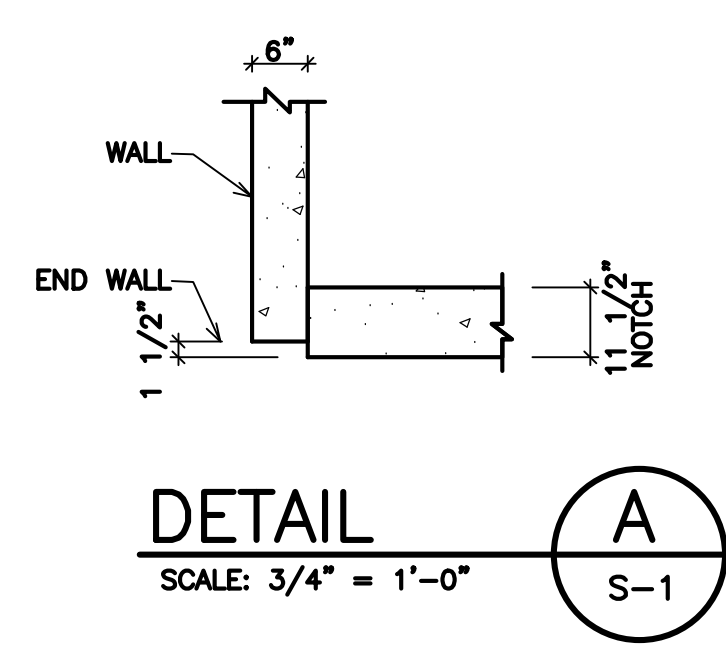


C.H. MOSS, P.E.
 SOLE PROPRIETOR
 P.O. BOX 28
 COVINGTON, GA 30015
 (770)-786-3163



FOUNDATION PLAN-BLDG BR1
 SCALE: 1/16" = 1'-0"



GENERAL NOTES

- CONTRACTOR SHALL BE RESPONSIBLE FOR BRACING ALL WORK DURING CONSTRUCTION.
- FOOTINGS ARE DESIGNED FOR AN ALLOWABLE BEARING CAPACITY OF 2000 P.S.F.
- CONCRETE SHALL HAVE A MINIMUM 28 DAY COMPRESSIVE STRENGTH OF 3000 P.S.I. WITH A 4" MAXIMUM SLUMP. DETAILS NOT SHOWN SHALL BE ACCORDING TO ACI 318 AND ACI 301 SPECIFICATIONS FOR CONCRETE CONSTRUCTION.
 - REINFORCING STEEL SHALL BE ASTM A-185
 - W.W.F. SHALL BE ASTM A-615 GRADE 60 (TIES MAY BE GRADE 40)
 - MINIMUM LAP: #4 - 28"
 - #5 - 32"
 - MINIMUM COVER: 3" U.N.O.
- C.J. ON PLANS INDICATE CONTROL JOINT 1/8" x 1" DEEP SAWN WITHIN 24 HOURS AFTER PLACING CONCRETE. METAL JOINT MATERIAL MAY BE USED.
- FOUNDATION BASED ON REACTIONS FURNISHED BY PEAK STEEL BUILDINGS, JOB NO. 12226-33770-BR1 DATED 02/16/2024.

NO	DATE	REVISION	BY

JOB NO. 12226-33770-BR1	COMPUTED BY: ML
DRAWN BY: HM	CHECKED BY: HM
DATE: MARCH 07, 2024	SCALE: 1/16" = 1'-0"

FOUNDATION PLAN FOR:
BAUCOM BUSINESS PLAZA
 FUQUAY VARINA, NC

DRAWING NUMBER	
3786	
SHEET	OF:
S-1	4