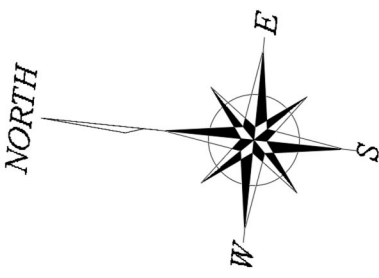


Reviewed for Fire Code Compliance
 Harnett County
 Roger Sullivan
 06/15/2023 3:18:09 PM

THE SPRINGS OF BALLENTINE
 FFE 390.00'



SITE PLAN (FOR HYDRAULIC REFERENCE ONLY)
 N.T.S.

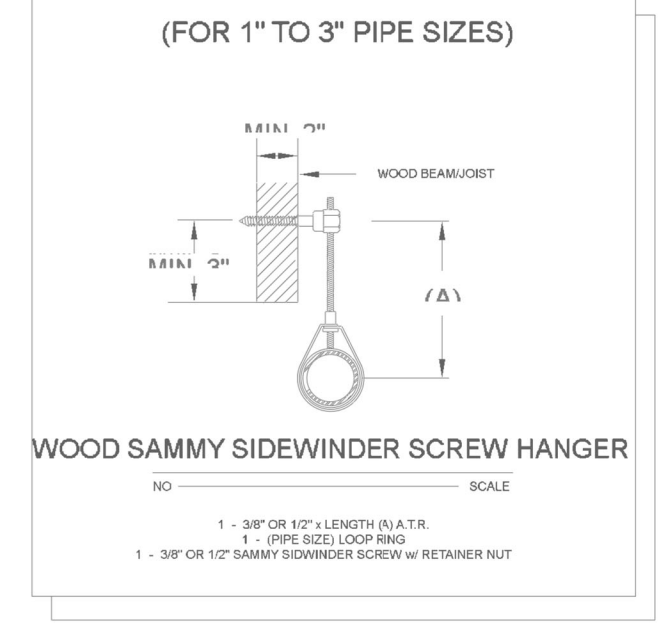
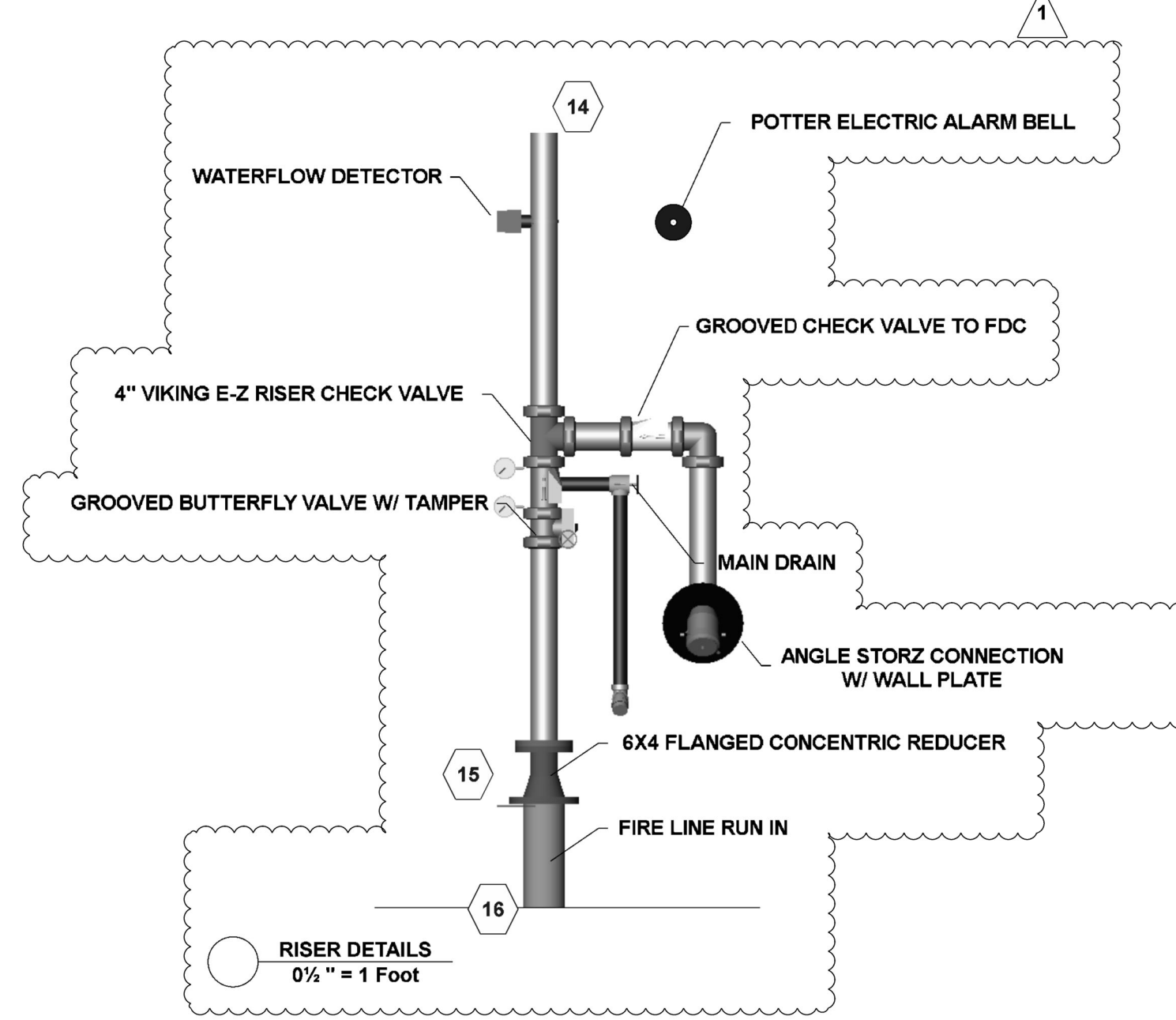
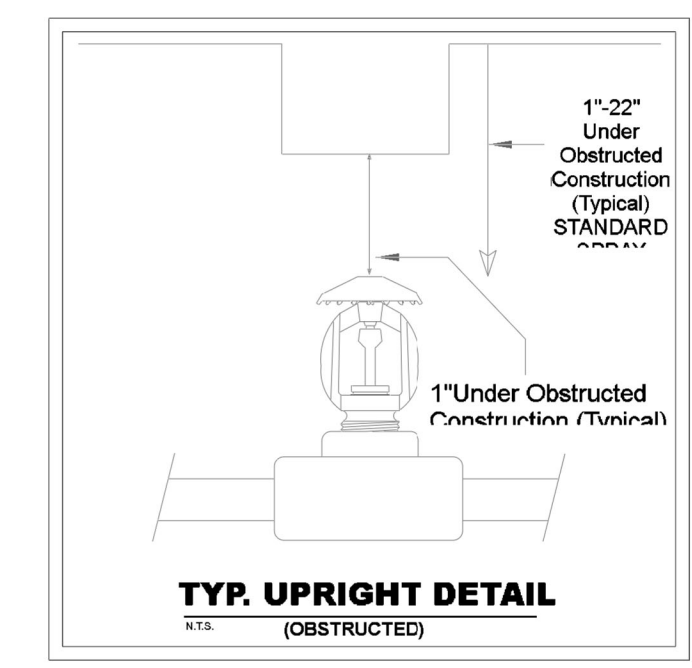
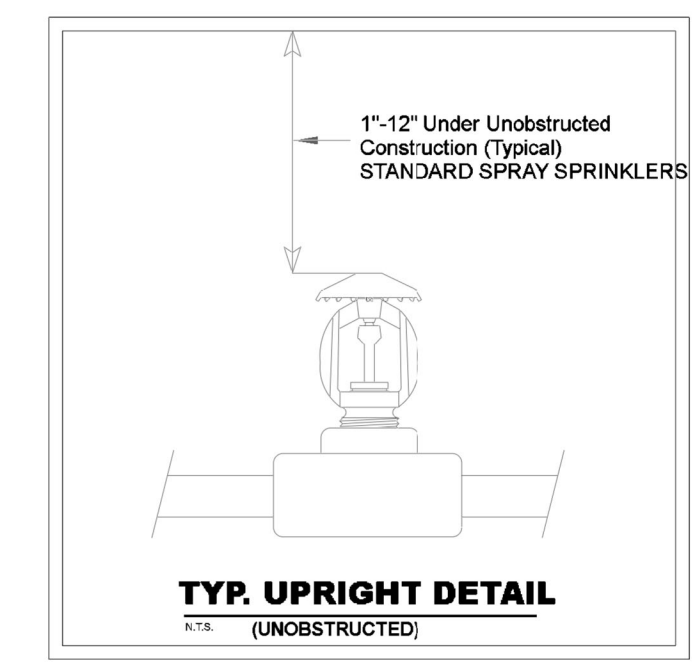
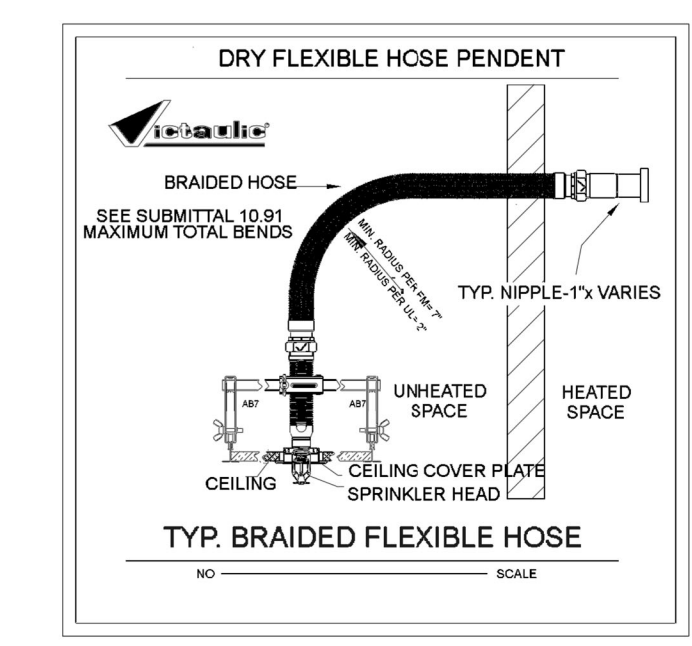
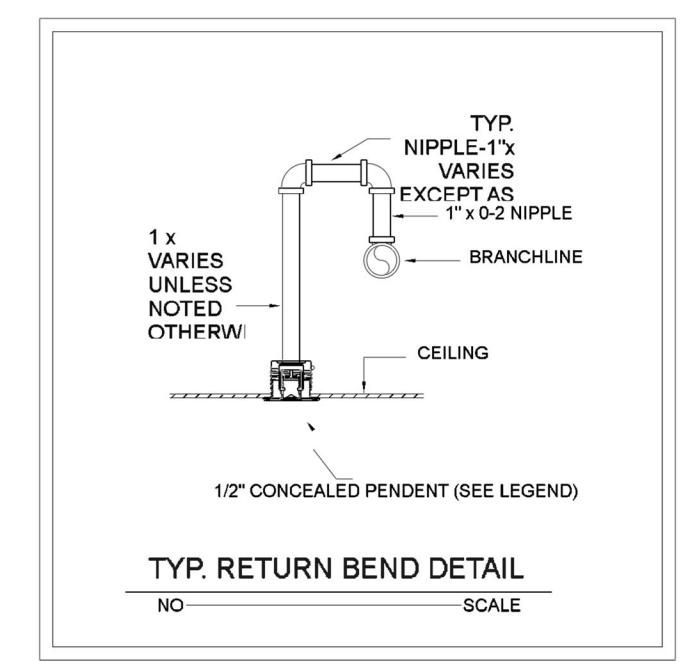
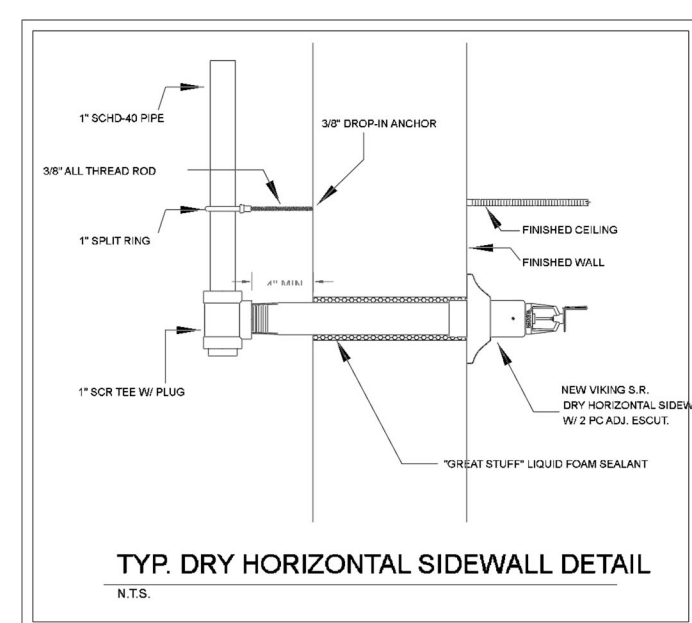
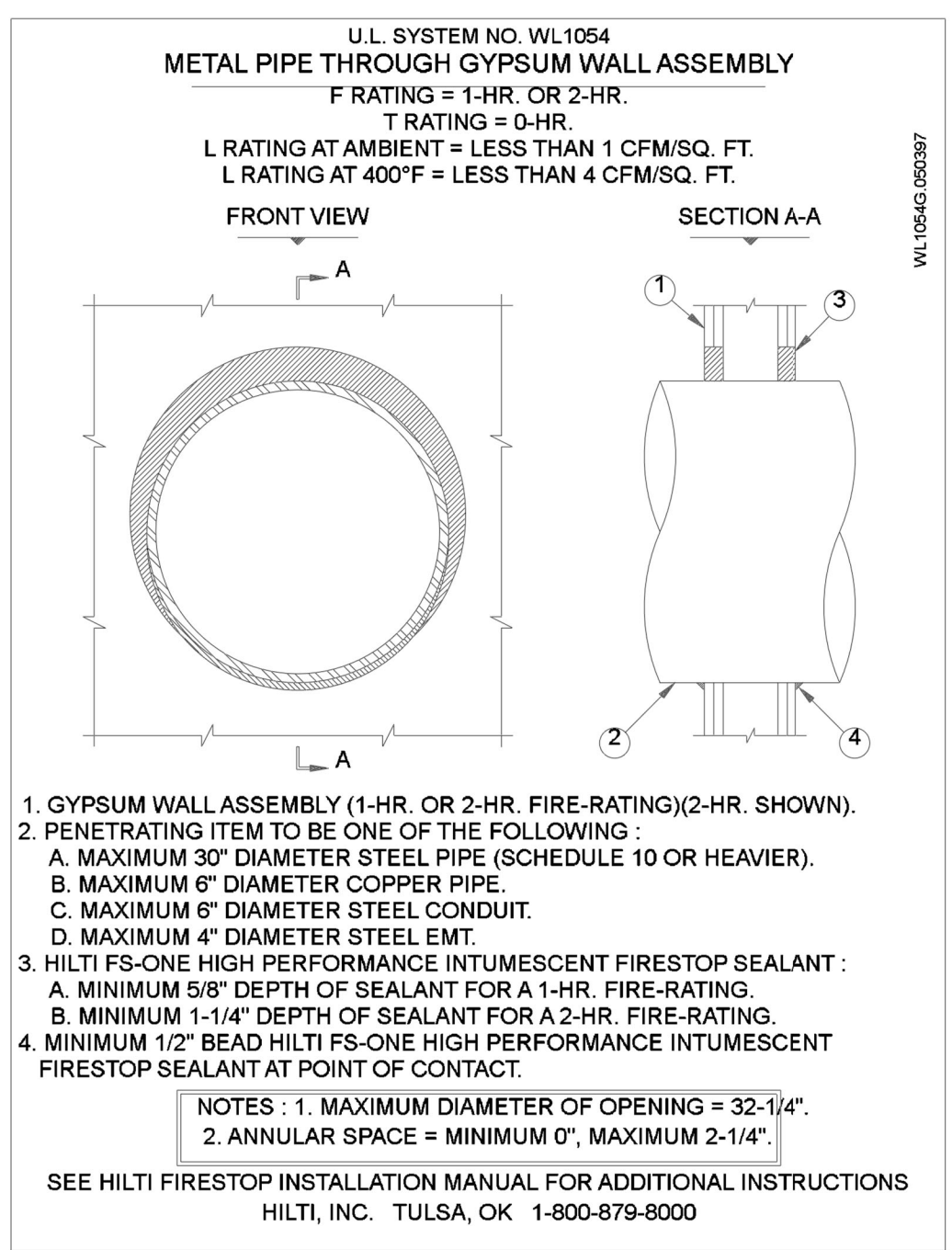
HANGER INSTALLATION REQUIREMENTS								
MAXIMUM DISTANCE BETWEEN HANGERS								
NOMINAL PIPE SIZE	3/4"	1"	1-1/4"	1-1/2"	2"	2-1/2"	3"	4"
BLAZEMASTER CPVC	5' 6"	6' 0"	6' 6"	7' 0"	8' 0"	9' 0"	10' 0"	N/A
THREADABLE LIGHTWALL N/A	12' 0"	12' 0"	12' 0"	12' 0"	12' 0"	12' 0"	12' 0"	N/A
STEEL PIPE (10/40)	N/A	12' 0"	12' 0"	15' 0"	15' 0"	15' 0"	15' 0"	15' 0"

100 PSI STATIC PRESSURE ON SYSTEM REQUIRES UP-LIFT RESTRAINT WITHIN 12 INCHES HORIZONTALLY OF HEAD FOR ARM-OVERS AND END OF BRANCH LINE

THE UNSUPPORTED LENGTH BETWEEN THE END SPRINKLER AND THE LAST HANGER ON THE LINE SHALL NOT EXCEED 36" FOR 1" PIPE, 48" FOR 1 1/4" PIPE AND 60" FOR 1 1/2" PIPE OR LARGER

THE CUMULATIVE HORIZONTAL LENGTH OF AN UNSUPPORTED ARMORER TO A SPRINKLER, SPRINKLER DROP, OR SPRIG-UP SHALL NOT EXCEED 24"

TRAPEZE INSTALLATION REQUIREMENTS									
SPAN OF TRAPEZE (Schedule 10)	NOMINAL PIPE SIZE SUPPORTED								
	1"	1-1/4"	1-1/2"	2"	2-1/2"	3"	4"	6"	
1 FT. 6 IN.	1"	1"	1"	1"	1"	1"	1-1/4"	1-1/4"	
2 FT. 0 IN.	1-1/4"	1-1/4"	1-1/4"	1-1/4"	1-1/4"	1-1/4"	1-1/2"	2"	
3 FT. 0 IN.	1-1/4"	1-1/4"	1-1/4"	1-1/4"	1-1/2"	1-1/2"	1-1/2"	2"	
4 FT. 0 IN.	1-1/2"	1-1/2"	1-1/2"	1-1/2"	2"	2"	2"	2-1/2"	
5 FT. 0 IN.	2"	2"	2"	2"	2"	2"	2-1/2"	2-1/2"	
6 FT. 0 IN.	2"	2"	2"	2"	2-1/2"	2-1/2"	2-1/2"	3"	
7 FT. 0 IN.	2-1/2"	2-1/2"	2-1/2"	2-1/2"	2-1/2"	2-1/2"	2-1/2"	3"	
8 FT. 0 IN.	2-1/2"	2-1/2"	2-1/2"	2-1/2"	2-1/2"	2-1/2"	3"	4"	
9 FT. 0 IN.	2-1/2"	2-1/2"	2-1/2"	2-1/2"	2-1/2"	2-1/2"	3"	4"	
10 FT. 0 IN.	2-1/2"	2-1/2"	2-1/2"	2-1/2"	2-1/2"	3"	3"	4"	



GENERAL NOTES:

- MATERIALS AND INSTALLATION SHALL COMPLY WITH APPLICABLE NFPA CODES, STATE BUILDING CODE, LOCAL AUTHORITY HAVING JURISDICTION, AND INSURANCE UNDERWRITER'S REQUIREMENTS.
- ALL MATERIALS AND EQUIPMENT SHALL BE NEW, UL LISTED FOR THE INTENDED USE AND SHALL BE INSTALLED IN FULL COMPLIANCE WITH MANUFACTURER'S RECOMMENDATIONS.
- ALL NEW AND EXISTING SPRINKLER PIPE 1" AND SMALLER IS SCHEDULE-40 BLACK STEEL WITH THREADED ENDS AND FITTINGS. ALL NEW AND EXISTING SPRINKLER PIPE 1 1/2" AND LARGER IS SCHEDULE-10 BLACK STEEL WITH GROOVED ENDS AND FITTINGS.
- SPRINKLER HEAD SPACING IS BASED ON THE NFPA 13 (2013 EDITION) STANDARDS FOR LIGHT HAZARD OCCUPANCIES (OFFICE) ALLOWING A MAXIMUM HEAD SPACING OF 225 S.F. PER HEAD. SPRINKLER HEAD SPACING IN THE ATTIC IS BASED ON THE NFPA 13 STANDARDS FOR COMBUSTIBLE CONCEALED SPACES IN ACCORDANCE WITH 8.6.4.1.4. ALLOWING A MAXIMUM HEAD SPACING OF 120SF PER HEAD.
- LOCATIONS OF PIPING AS SHOWN ON THE DRAWINGS ARE APPROXIMATE AND SUBJECT TO MINOR ADJUSTMENTS IN THE FIELD.
- THE TENANT SHALL REMOVE ANY COMBUSTIBLE MATERIALS LOCATED ABOVE THE EXISTING CEILINGS.
- THE SCOPE OF WORK FOR THIS PROJECT IS TO INSTALL A NEW FIRE SPRINKLER SYSTEM IN THE NEW BUILDING SHOWN. J&D SPRINKLER CO SCOPE OF WORK BEGINS AT 1'-0" ABOVE THE FINISHED FLOOR.
- THE WATER TEST INFORMATION HAS BEEN PROVIDED BY J&D SPRINKLER CO DATED 10/20/2022 INDICATES THE FOLLOWING...

STATIC: 100 PSI
 RESIDUAL: 70 PSI
 FLOW: 1130 GPM

Sprinkler Design Data

Project Name:	THE SPRINGS OF BALLENTINE	System:	WET
Project Street Address:	40 RAWLS CLUB RD	Sys. Sq. Ft.:	30,930 FT ² +/-
Suite:		Floor#:	
Designed By:	J&D SPRINKLER CO	Phone:	919-553-2356
Occupancy:	NURSING	Hazard:	LIGHT HAZARD
		Ceiling Hgt.:	
		Total Bldg. Hgt.:	

Design Summary

	A	B	C	D
Design Method	CALCULATED	CALCULATED	CALCULATED	CALCULATED
Design Area #	A	B	C	D
Location	ACTIVITY ATTIC	ATTIC	ATTIC	UNIT 119-125
Type of System	WET	WET	WET	WET
Hazard Class	LIGHT HAZARD	LIGHT HAZARD	LIGHT HAZARD	LIGHT HAZARD
Criteria From	NFPA 13	NFPA 13	NFPA 13	NFPA 13
Design Area	1,343 SF	5 HEADS	1,998 SF	1,570 SF
Sprinkler Spacing	120 SF MAX	6 X 30'-0"	120 SF MAX	225 SF MAX
Density	.10	.10	.10	.10
K-factor	5.6	5.6	5.6	5.6
Hose Allowance	100 GPM	100 GPM	100 GPM	100 GPM
# Design Sprinklers	18	6	28	16
Special Application Spk.	N/A	B2B ATTIC	N/A	N/A
Requirement @ BASE				
G.P.M. Req'd	302.08	229.88	506.77	337.74
P.S.I. Req'd	45.506	45.499	48.638	50.242
Requirement @ TEST				
GPM Required	402.08	329.88	606.77	437.74
PSI Required	60.001	59.401	65.533	65.080
Safety factor @ Test	+35.564 (37.2%)	+37.523 (38.7%)	+21.972 (27.6%)	+29.730 (31.4%)
Dry Sys. Volume (gal)	-	-	-	-

Water Supply Information

Tested by	J&D SPRINKLER CO	Date/Time	01/20/2022	Pressure Hydrant	-
Hydrant Elevation	-	Flow Hydrant # 1	-	Flow Hydrant #2	-
Static (PSI)	100 PSI	Residual (PSI)	70 PSI	Flow (gpm)	1130 GPM

Copy of Water Test Data Included with Calculation is required

Fire Pump Data

Rated G.P.M.	-	Rated Pressure	-	Horsepower	-
Diesel/Electric	-	Churn Pressure	-	Style of pump	-
Combined Discharge	-	150% Flow (suction)	-	150% Flow (gpm)	-

Certified pump curve required

If Storage is Greater than 12 Feet Complete Commodity Storage Design Information

Commodity Description		Storage Height		Storage Type (Rack, Bin, Pile)		Clearance	
Figure #	Curve #	Density	Height	Clear	Array	Dry	Minimum
		Area	Factor	Factor	Factor	Penalty	Design
-	-	Initial	-	-	-	-	-
-	-	Seco	-	-	-	-	-
-	-	dary	-	-	-	-	-

Is system compliant with Chapter 23 (FPC) _____

Is storage area layout, rack, and pile plan included? _____

THE SPRINGS OF BALLENTINE

J & D SPRINKLER CO. INC.
 315 W. MAIN ST., CLAYTON, NC 27520
 PHONE: (919)553-2356 FAX: (919) 359-0622

40 RAWLS CLUB RD
 FUYQUAY-VARINA, NC 27526

SHEET TITLE: NOTES AND DETAILS

This fire sprinkler planning and design drawing has been prepared by J & D Sprinkler Co. as a licensed fire sprinkler contractor under Article 2 of Chapter 87 of the General Statutes of North Carolina. The designer must perform any and all installation work and other work performed in reliance on this drawing pursuant to G.S. § 55B-15(a)(2). Installation work or any other work performed by any other person or entity in reliance on this drawing or any copy thereof is strictly prohibited.

J&D SPRINKLER CO., INC.
 1100 PROGRESS BLVD., SUITE 100
 CLAYTON, NC 27520

DANA GRAHAM

NC # 16269FS CERT # 71075
 NJSET LEVEL III
 JASON GRAHAM

NC # 16269FS CERT # 121842
 NJSET LEVEL III

REVISION:
 NO. DATE

1 05/15/23

Date: 02/13/2022

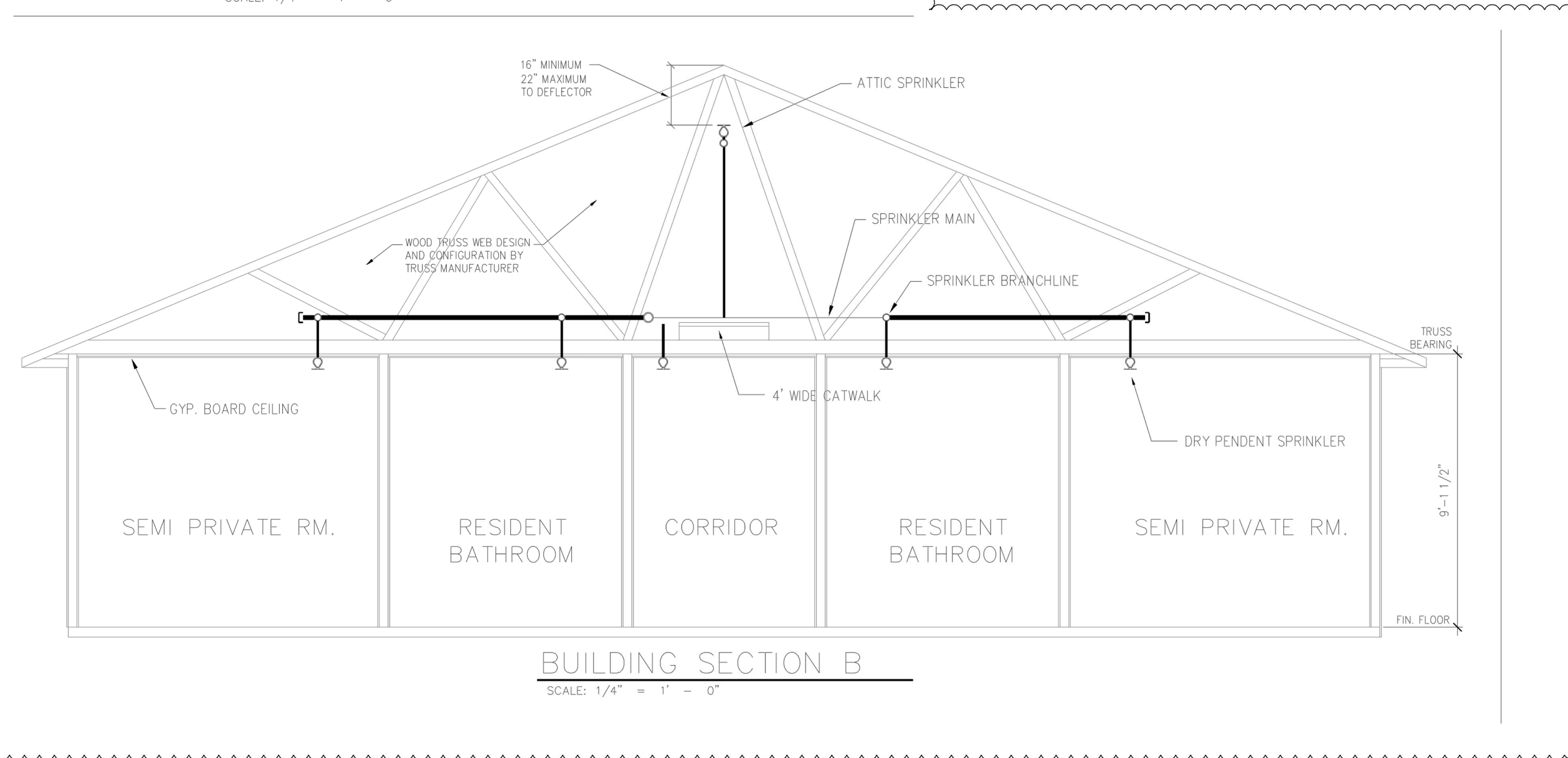
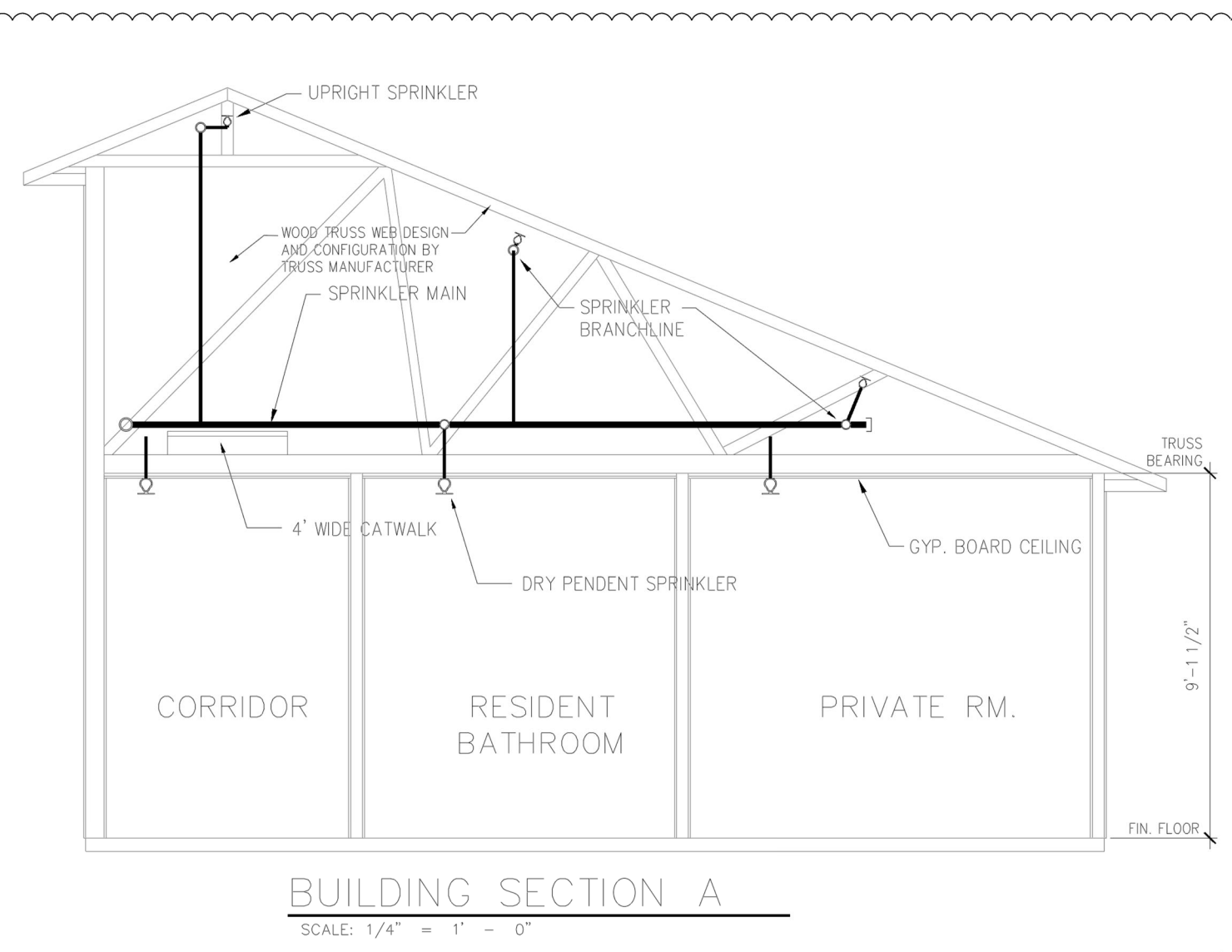
Scale: 1/8" = 1'-0"

Job Number: F23007

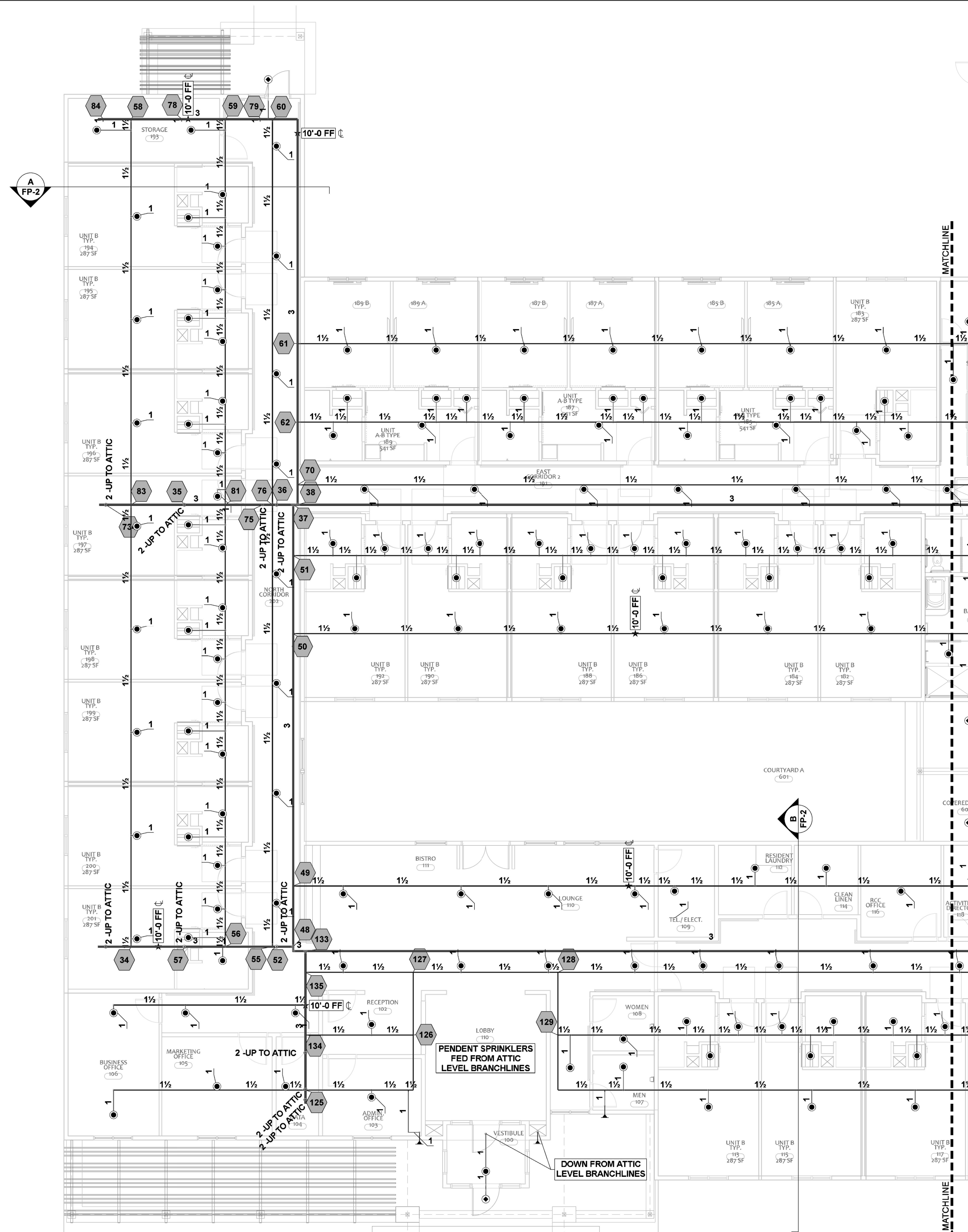
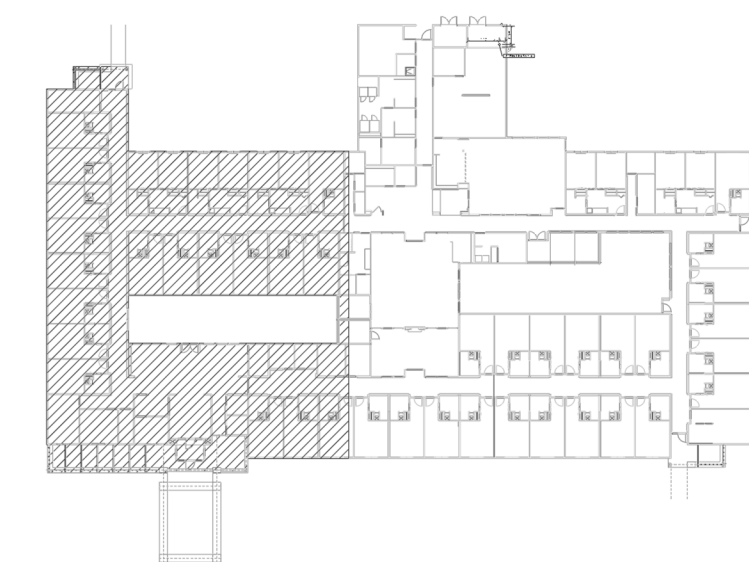
Drawn By: TWC

Sheet Number: FP-1 OF 7

24X36



Sprinkler Legend											
Symbol	Manufacturer	SIN	Model	Quantity	K-Factor	Type	Size	Response	Finish	Temperature	Note
●	Viking	VK3021	QR/SS	340	5.6	Pendent	1/2	Quick	White Polyester	155 °F	NEW PENDENT
●	Victaulic	V3506	VS1	6	5.6	Pendent	1	Quick	VC250	155 °F	NEW DRY FLEX PENDENT
●	Viking	VK3021	QR/SS	6	5.6	Pendent	1/2	Quick	White Polyester	200 °F	NEW 200° PENDENT
●	Viking	VK176	QR/SS - DRY	2	5.6	Pendent	1	Quick	Chrome	155 °F	NEW DRY PENDENT
●	Viking	VK3001	QR/SS	191	5.6	Upright	1/2	Quick	Brass	155 °F	NEW UPRIGHT SPRINKLER
●	Viking	VK681	V-BB	62	8	Upright	3/4	Quick	Brass	200 °F	NEW ATTIC UPRIGHT
●	Viking	VK3001	QR/SS	6	5.6	Upright	1/2	Quick	Brass	155 °F	NEW UR IN OVERSHEETING
●	Tyco	TY3335	SERIES DS-1	7	5.6	Sidewall	1	Quick	Chrome	200 °F	NEW DRY SIDEWALL
				Total = 620							



THE SPRINGS OF BALLENTINE
40 RAWLS CLUB RD
FUQUAY-VARINA, NC 27526

J & D SPRINKLER CO. INC.
315 W. MAIN ST., CLAYTON, NC 27520
PHONE: (919)553-2356 FAX: (919) 359-0622

SHEET TITLE:
CEILING LEVEL PIPING PLAN AREA A

This fire sprinkler planning and design drawing has been prepared by J & D Sprinkler Co. as a licensed fire sprinkler contractor under Article 2 of Chapter 87 of the General Statutes of the State of North Carolina. The contractor's work is subject to the provisions of G.S. § 55B-15(a)(2). Installation work or any other work performed by any other person or entity in reliance on this drawing or any copy thereof is strictly prohibited.

c. 2013 J & D Sprinkler Co., Inc.

J&D SPRINKLER CO., INC.
DANA GRAHAM

NC # 16269FS CERT # 71075
NICET LEVEL III
JASON GRAHAM
NC # 16269FS CERT # 121842
NICET LEVEL III

REVISION:
NO. DATE

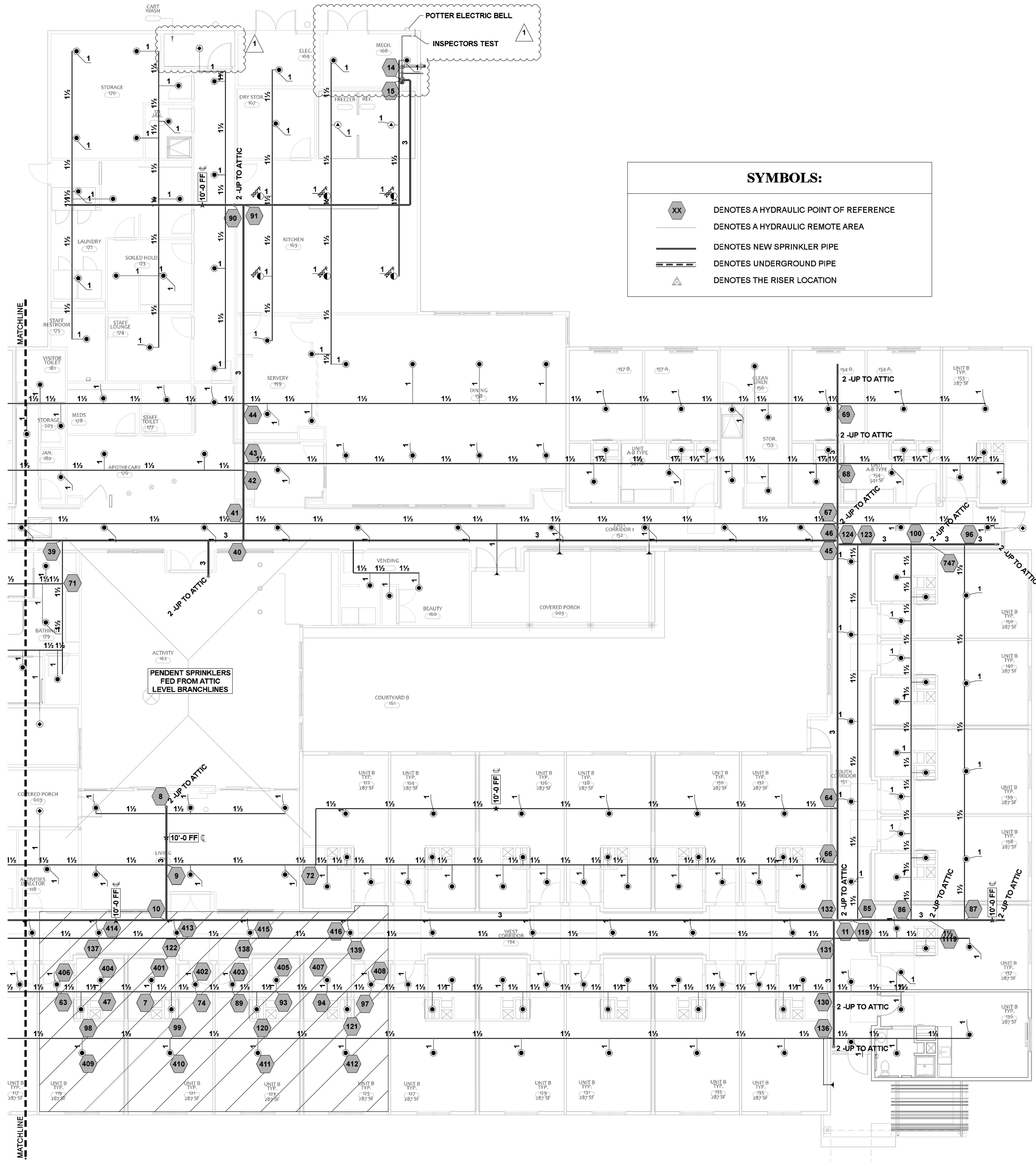
Date:
02/13/2023

Scale:
1/8" = 1'-0"
0 10'

Job Number:
F23007

Drawn By:
TWC

Sheet Number
FP-2 OF 7



SYMBOLS:

- DENOTES A HYDRAULIC POINT OF REFERENCE
- DENOTES A HYDRAULIC REMOTE AREA
- DENOTES NEW SPRINKLER PIPE
- DENOTES UNDERGROUND PIPE
- DENOTES THE RISER LOCATION

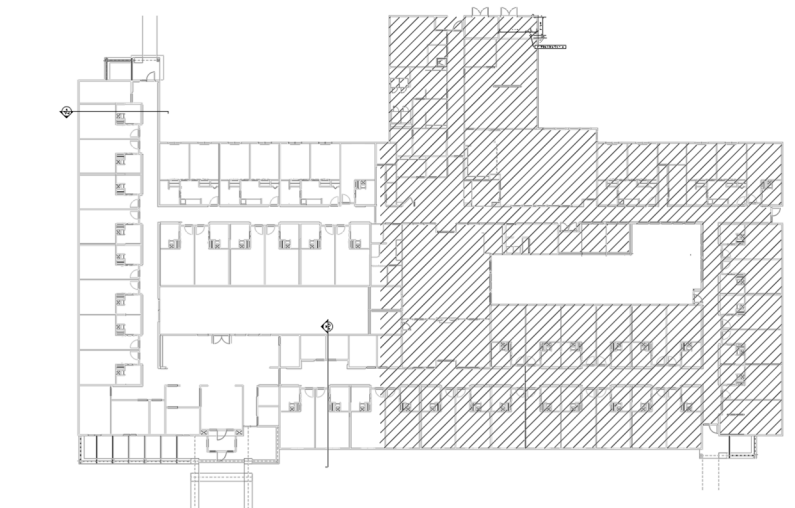
Sprinkler Legend

Symbol	Manufacturer	SIN	Model	Quantity	K-Factor	Type	Size	Response	Finish	Temperature	Note
	Viking	VK3021	QR/SS	340	5.6	Pendent	1/2	Quick	White Polyester	155 °F	NEW PENDENT
	Victaulic	VK306	VS1	6	5.6	Pendent	1	Quick	VC250	155 °F	NEW DRY FLEX PENDENT
	Viking	VK3021	QR/SS	6	5.6	Pendent	1/2	Quick	White Polyester	200 °F	NEW 200° PENDENT
	Viking	VK176	QR/SS - DRY	2	5.6	Pendent	1	Quick	Chrome	155 °F	NEW DRY PENDENT
	Viking	VK3001	QR/SS	191	5.6	Upright	1/2	Quick	Brass	155 °F	NEW UPRIGHT SPRINKLER
	Viking	VK681	V-BB	62	8	Upright	3/4	Quick	Brass	200 °F	NEW ATTIC UPRIGHT
	Viking	VK3001	QR/SS	6	5.6	Upright	1/2	Quick	Brass	155 °F	NEW UR IN OVERSHEETING
	Tyco	TY3355	SERIES DS-1	7	5.6	Sidewall	1	Quick	Chrome	200 °F	NEW DRY SIDEWALL
				Total = 620							

Hydraulic Information

Light Hazard=0.10 gpm/ft² for 1570 ft²

Remote Area D	
OCCUPANCY CLASSIFICATION	Light Hazard
DENSITY (gpm/ft ²)	0.10 for 1500 ft ² (Actual 1570 ft ²)
QUICK RESPONSE REDUCTION	9'-0" Ceiling (40.0%) 900 ft ²
TOTAL HOSE STREAMS	100.00
TOTAL HEADS FLOWING	16
K-FACTOR	5.6
TOTAL WATER REQUIRED	437.74
TOTAL PRESSURE REQUIRED	65.080
BASE OF RISER (gpm)	337.74
BASE OF RISER (psi)	50.242
SAFETY MARGIN (psi)	+29.730 (31.4%)



CEILING LEVEL PIPING PLAN B
0-1/8" = 1 Foot

KEY PLAN (AREA B)
N.T.S.

THE SPRINGS OF BALLENTINE
40 RAWLS CLUB RD
FUQUAY-VARINA, NC 27526

J & D SPRINKLER CO. INC.
315 W. MAIN ST., CLAYTON, NC 27520
PHONE: (919)553-2356 FAX: (919) 359-0622

SHEET TITLE:
CEILING LEVEL PIPING PLAN B

This fire sprinkler planning and design drawing has been prepared by J & D Sprinkler Co. as a licensed fire sprinkler contractor under Article 2 of Chapter 87 of the General Statutes of the State of North Carolina. The work shown on this drawing is the property of J & D Sprinkler Co. and must be performed in reliance on the drawing pursuant to G.S. § 55B-15(a)(2). Installation work or any other work performed by any other person or entity in reliance on this drawing or any copy thereof is strictly prohibited.
© 2013 J & D Sprinkler Co., Inc.

J&D SPRINKLER CO. INC.
DANA GRAHAM

NC # 16269FS CERT # 71075
NICET LEVEL III
JASON GRAHAM

NC # 16269FS CERT # 121842
NICET LEVEL III
REVISION:
NO. DATE

1 05/15/23

Date:
02/13/2023

Scale:
1/8"=1'-0"
0 10'

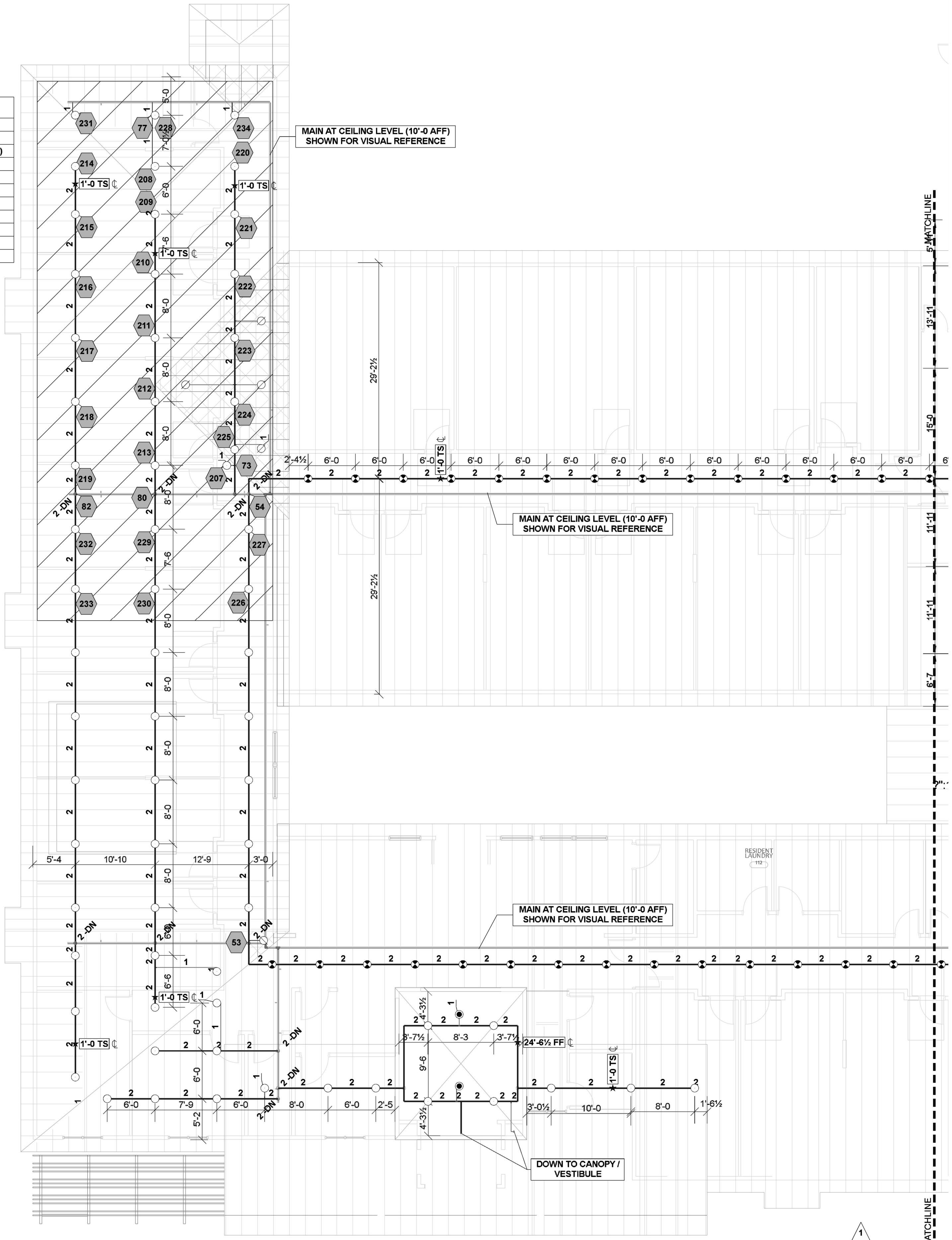
Job Number:
F23007

Drawn By:
TWC

Sheet Number
FP-3 OF 7

Light Hazard-0.10 gpm/ft² for 1998 ft²

Hydraulic Information	
Remote Area C	
OCCUPANCY CLASSIFICATION	Light Hazard
DENSITY (gpm/ft²)	0.10 for 1500 ft² (Actual 1998 ft²)
TOTAL HOSE STREAMS	100.00
TOTAL HEADS FLOWING	28
K-FACTOR	5.6
TOTAL WATER REQUIRED	606.77
TOTAL PRESSURE REQUIRED	65.533
BASE of RISER (gpm)	506.77
BASE of RISER (psi)	48.638
SAFETY MARGIN (psi)	+24.972 (27.6%)



ATTIC LEVEL PIPING PLAN A
0-1/8" = 1 Foot

Sprinkler Legend											
Symbol	Manufacturer	SIN	Model	Quantity	K-Factor	Type	Size	Response	Finish	Temperature	Note
●	Viking	VK3021	QR/SS	340	5.6	Pendent	1/2	Quick	White Polyester	155 °F	NEW PENDENT
●	Victaulic	V3506	VS1	6	5.6	Pendent	1	Quick	VC250	155 °F	NEW DRY FLEX PENDENT
●	Viking	VK3021	QR/SS	6	5.6	Pendent	1/2	Quick	White Polyester	200 °F	NEW 200° PENDENT
●	Viking	VK176	QR/SS - DRY	2	5.6	Pendent	1	Quick	Chrome	155 °F	NEW DRY PENDENT
●	Viking	VK3001	QR/SS	191	5.6	Upright	1/2	Quick	Brass	155 °F	NEW UPRIGHT SPRINKLER
●	Viking	VK681	V-BB	62	8	Upright	3/4	Quick	Brass	200 °F	NEW ATTIC UPRIGHT
●	Viking	VK3001	QR/SS	6	5.6	Upright	1/2	Quick	Brass	155 °F	NEW UR IN OVERSHEETING
▶	Tyco	TY3335	SERIES DS-1	7	5.6	Sidewall	1	Quick	Chrome	200 °F	NEW DRY SIDEWALL
				Total = 620							

THE SPRINGS OF BALLENTINE
40 RAWLS CLUB RD
FUQUAY-VARINA, NC 27526

J & D SPRINKLER CO. INC.
315 W. MAIN ST., CLAYTON, NC 27520
PHONE: (919)553-2356 FAX: (919) 359-0622

SHEET TITLE:
ATTIC LEVEL PIPING PLAN A

This fire sprinkler planning and design drawing has been prepared by J & D Sprinkler Co. as a licensed fire sprinkler contractor under Article 2 of Chapter 87 of the General Statutes for a State of North Carolina. J & D Sprinkler Co. and its employees must perform any and all installation work and other work performed in reliance on this drawing pursuant to G.S. § 55B-15(a)(2). Installation work or any other work performed by any other person or entity in reliance on this drawing or any copy thereof is strictly prohibited.
© 2013 J & D Sprinkler Co., Inc.

J&D SPRINKLER CO., INC.
DANA GRAHAM

NC # 16269FS CERT # 71075
NICET LEVEL III
JASON GRAHAM

NC # 16269FS CERT # 173842
NICET LEVEL III
REVISION:
NO. DATE

1 05/15/23

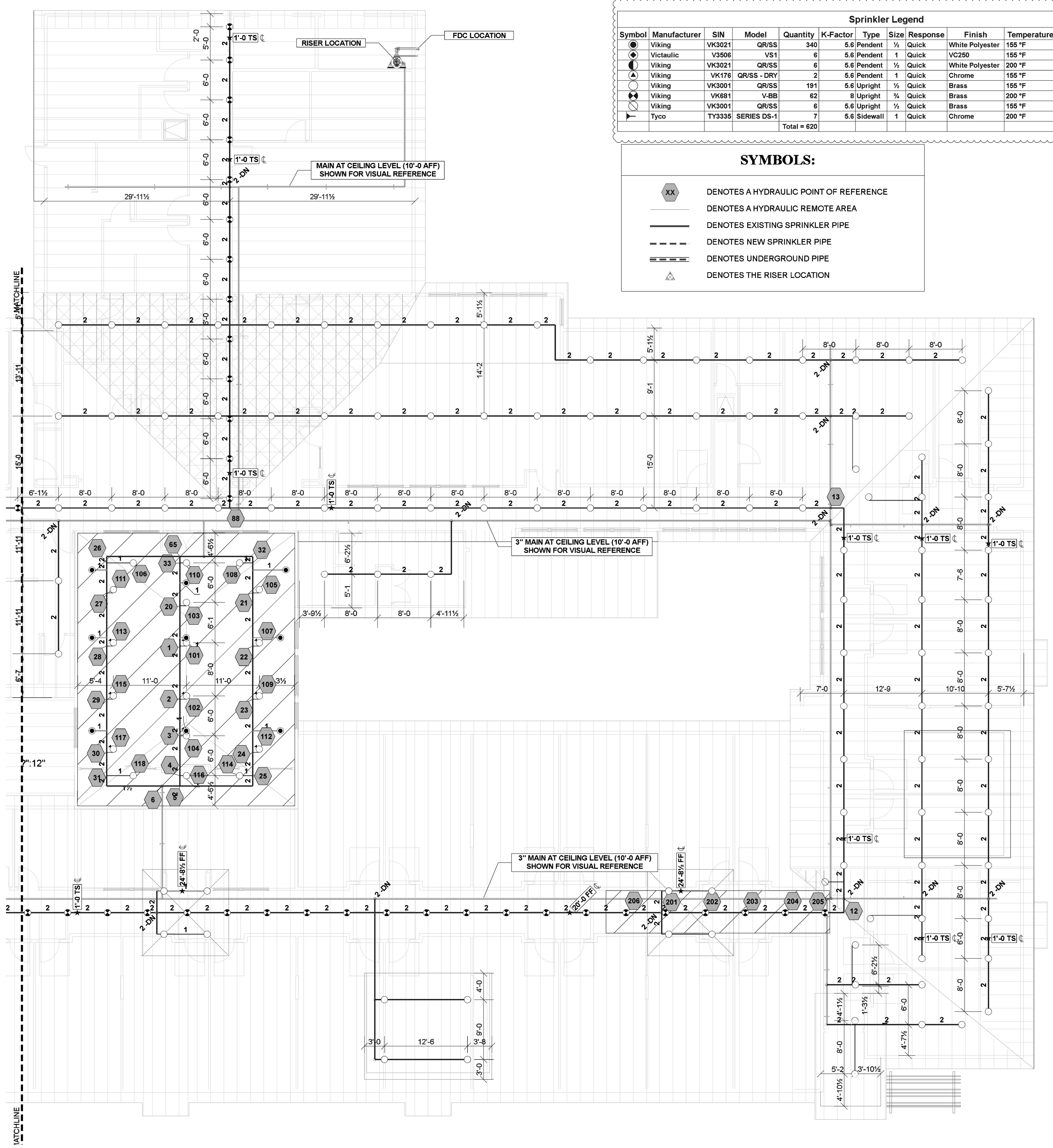
Date:
02/13/2023

Scale:
1/8" = 1'-0"

Job Number:
F23007

Drawn By:
TWC

Sheet Number
FP-4 OF 7



Sprinkler Legend											
Symbol	Manufacturer	SIN	Model	Quantity	K-Factor	Type	Size	Response	Finish	Temperature	Note
●	Viking	VK3021	QR/SS	340	5.6	Pendent	1/2	Quick	White Polyester	155 °F	NEW PENDENT
○	Victaulic	V3506	VS1	6	5.6	Pendent	1	Quick	VC250	155 °F	NEW DRY FLEX PENDENT
●	Viking	VK3021	QR/SS	6	5.6	Pendent	1/2	Quick	White Polyester	200 °F	NEW 200° PENDENT
○	Viking	VK176	QR/SS - DRY	2	5.6	Pendent	1	Quick	Chrome	155 °F	NEW DRY PENDENT
○	Viking	VK3001	QR/SS	191	5.6	Upright	1/2	Quick	Brass	155 °F	NEW UPRIGHT SPRINKLER
○	Viking	VK681	V-BB	62	8	Upright	3/4	Quick	Brass	200 °F	NEW ATTIC UPRIGHT
○	Viking	VK3001	QR/SS	6	5.6	Upright	1/2	Quick	Brass	155 °F	NEW UR IN OVERSHEETING
○	Tyco	TY3335	SERIES DS-1	7	5.6	Sidewall	1	Quick	Chrome	200 °F	NEW DRY SIDEWALL
				Total = 620							

SYMBOLS:

- XX DENOTES A HYDRAULIC POINT OF REFERENCE
- DENOTES A HYDRAULIC REMOTE AREA
- DENOTES EXISTING SPRINKLER PIPE
- - - DENOTES NEW SPRINKLER PIPE
- DENOTES UNDERGROUND PIPE
- ▲ DENOTES THE RISER LOCATION

ATTIC LEVEL PIPING PLAN B
0-1/8" = 1 Foot

Light Hazard-0.10 gpm/ft² for 1343 ft²

Hydraulic Information	
Remote Area A	
OCCUPANCY CLASSIFICATION	Light Hazard
DENSITY (gpm/ft²)	0.10 for 1500 ft² (Actual 1343 ft²)
TOTAL HOSE STREAMS	100.00
TOTAL HEADS FLOWING	18
K-FACTOR	5.6
TOTAL WATER REQUIRED	402.08
TOTAL PRESSURE REQUIRED	60.001
BASE OF RISER (gpm)	302.08
BASE OF RISER (psi)	45.506
SAFETY MARGIN (psi)	+35.564 (37.2%)

Light Hazard-0.10 gpm/ft² for 216 ft²

Hydraulic Information	
Remote Area B	
OCCUPANCY CLASSIFICATION	Light Hazard
DENSITY (gpm/ft²)	0.10 for 1500 ft² (Actual 216 ft²)
TOTAL HOSE STREAMS	100.00
TOTAL HEADS FLOWING	6
K-FACTOR	8
TOTAL WATER REQUIRED	329.88
TOTAL PRESSURE REQUIRED	59.401
BASE OF RISER (gpm)	229.88
BASE OF RISER (psi)	45.499
SAFETY MARGIN (psi)	+37.523 (38.7%)

THE SPRINGS OF BALLENTINE
40 RAWLS CLUB RD
FUQUAY-VARINA, NC 27526

J & D SPRINKLER CO. INC.
315 W. MAIN ST., CLAYTON, NC 27520
PHONE: (919)553-2356 FAX: (919) 359-0622

SHEET TITLE:
ATTIC LEVEL PIPING PLAN B

This fire sprinkler planning and design drawing has been prepared by J & D Sprinkler Co. as a licensed fire sprinkler contractor under Article 2 of Chapter 87 of the General Statutes of the State of North Carolina. J & D Sprinkler Co. and its designers and installers must perform any and all installation work and other work performed in reliance on this drawing pursuant to G.S. § 55B-15(a)(2). Installation work or any other work performed by any other person or entity in reliance on this drawing or any copy thereof is strictly prohibited.
© 2013 J & D Sprinkler Co., Inc.

J&D SPRINKLER CO., INC.
Fire Protection • Life Safety

DANA GRAHAM
NC # 16269FS CERT # 71075
NICET LEVEL III
JASON GRAHAM
NC # 16269FS CERT # 121842
NICET LEVEL III

REVISION:
NO. DATE
1 05/15/23

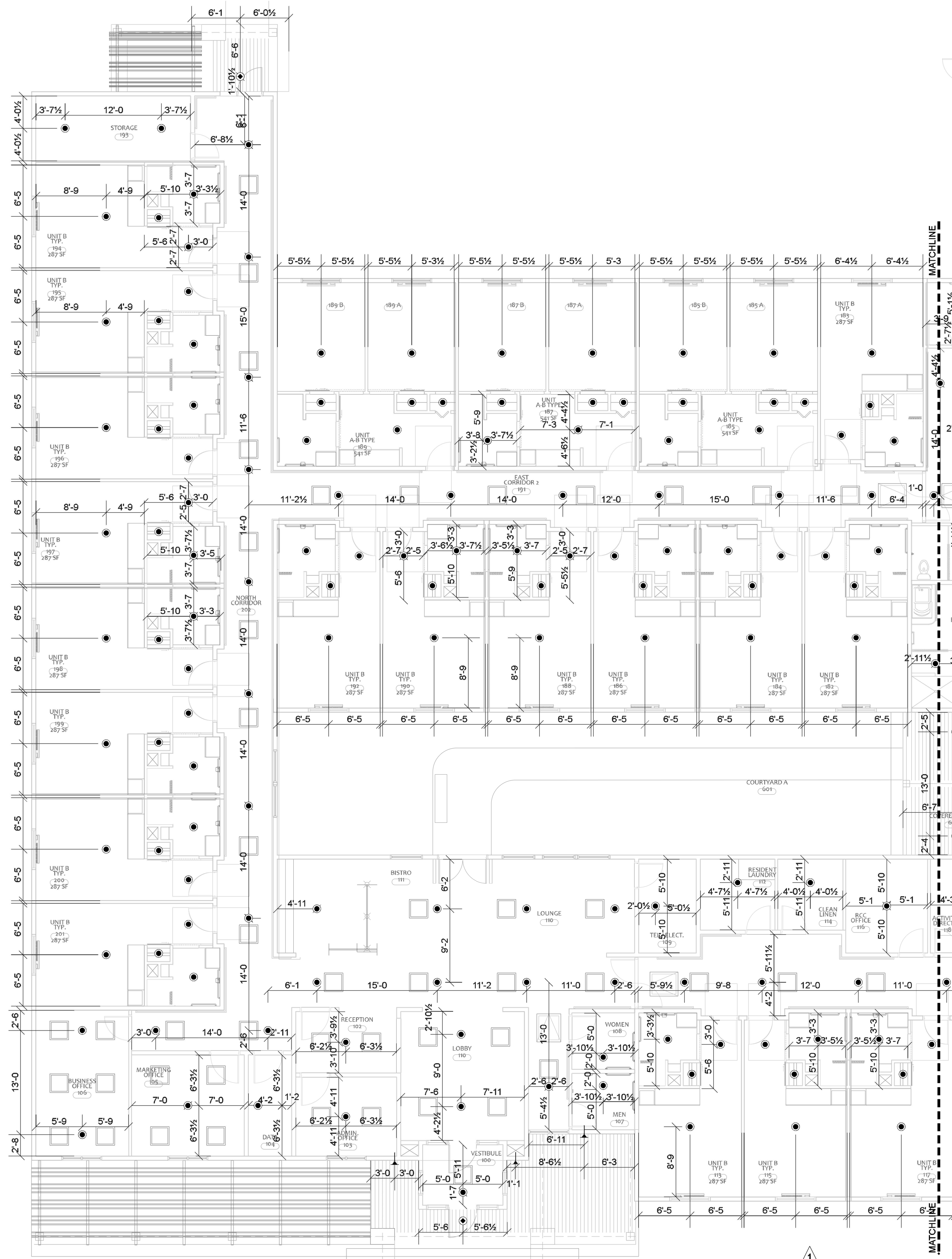
Date:
02/13/2023

Scale:
1/8" = 1'-0"

Job Number:
F23007

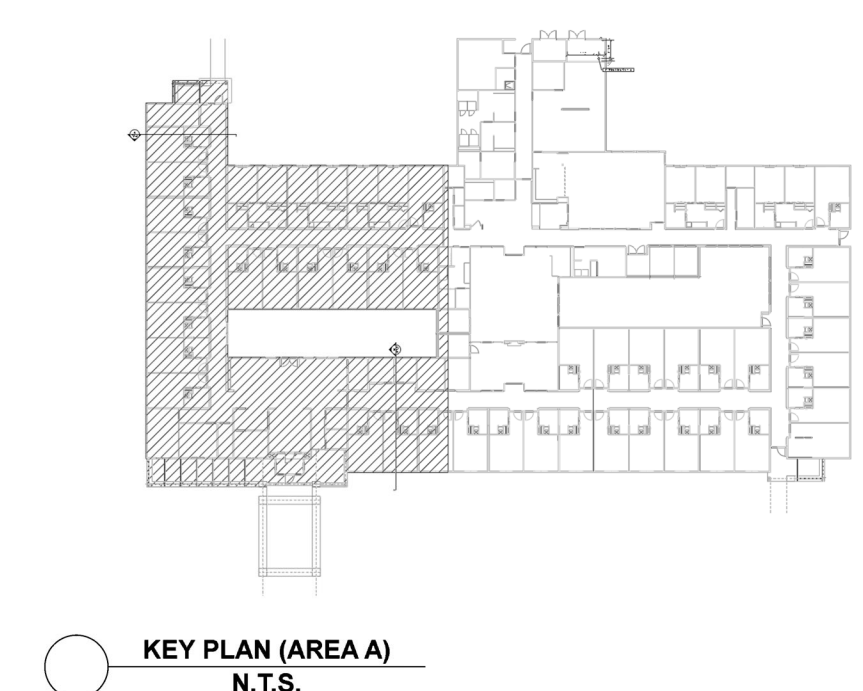
Drawn By:
TWC

Sheet Number
FP-5 OF 7



CEILING PLAN AREA A
0-1/8" = 1 Foot

Sprinkler Legend											
Symbol	Manufacturer	SIN	Model	Quantity	K-Factor	Type	Size	Response	Finish	Temperature	Note
●	Viking	VK3021	QR/SS	340	5.6	Pendent	1/2	Quick	White Polyester	155 °F	NEW PENDENT
●	Victaulic	V3506	VS1	6	5.6	Pendent	1	Quick	VC250	155 °F	NEW DRY FLEX PENDENT
●	Viking	VK3021	QR/SS	6	5.6	Pendent	1/2	Quick	White Polyester	200 °F	NEW 200° PENDENT
▲	Viking	VK176	QR/SS - DRY	2	5.6	Pendent	1	Quick	Chrome	155 °F	NEW DRY PENDENT
●	Viking	VK3001	QR/SS	191	5.6	Upright	1/2	Quick	Brass	155 °F	NEW UPRIGHT SPRINKLER
●	Viking	VK681	V-BB	62	8	Upright	3/4	Quick	Brass	200 °F	NEW ATTIC UPRIGHT
●	Viking	VK3001	QR/SS	6	5.6	Upright	1/2	Quick	Brass	155 °F	NEW UR IN OVERSHEETING
▲	Tyco	TY3335	SERIES DS-1	7	5.6	Sidewall	1	Quick	Chrome	200 °F	NEW DRY SIDEWALL
				Total = 620							



KEY PLAN (AREA A)
N.T.S.

THE SPRINGS OF BALLENTINE
40 RAWLS CLUB RD
FUQUAY-VARINA, NC 27526

J & D SPRINKLER CO. INC.
315 W. MAIN ST., CLAYTON, NC 27520
PHONE: (919)553-2356 FAX: (919) 359-0622

SHEET TITLE:
CEILING PLAN AREA A

This fire sprinkler planning and design drawing has been prepared by J & D Sprinkler Co. as a licensed fire sprinkler contractor under Article 2 of Chapter 87 of the General Statutes of the State of North Carolina. J & D Sprinkler Co. is not responsible for any errors or omissions in this drawing or for any work performed in reliance on this drawing pursuant to G.S. § 55B-15(a)(2). Installation work or any other work performed by any other person or entity in reliance on this drawing or any copy thereof is strictly prohibited.
c. 2013 J & D Sprinkler Co., Inc.

J&D SPRINKLER CO. INC.
DANA GRAHAM

NC # 16269FS CERT # 71075
NICET LEVEL III
JASON GRAHAM

NC # 16269FS CERT # 121842
NICET LEVEL III
REVISION:
NO. DATE

1 05/15/23

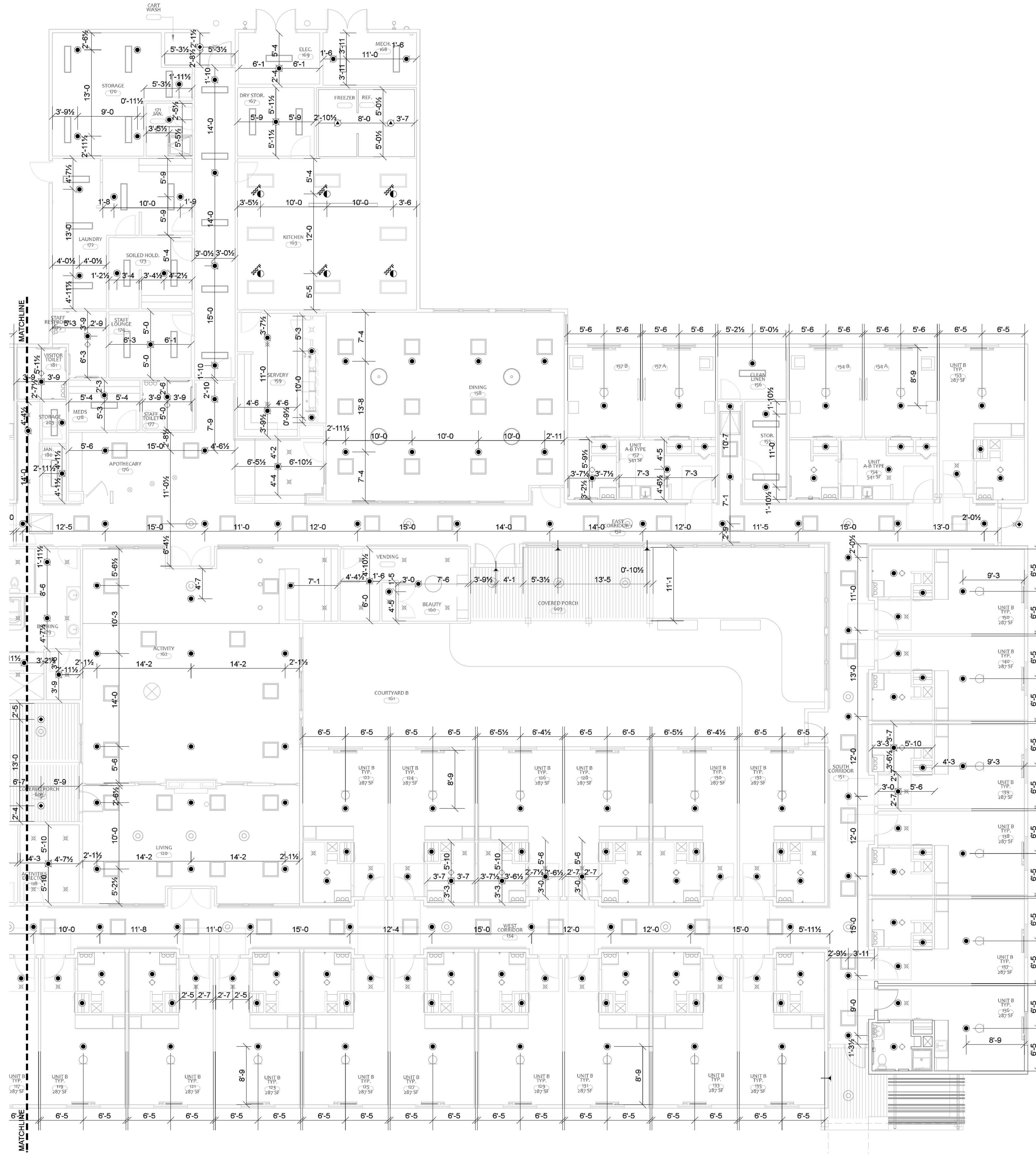
Date:
02/13/2022

Scale:
1/8" = 1'-0"

Job Number:
F23007

Drawn By:
TWC

Sheet Number
FP-6 OF 7



CEILING PLAN AREA B
0-1/8" = 1 Foot

KEY PLAN (AREA B)
N.T.S.

Sprinkler Legend											
Symbol	Manufacturer	SIN	Model	Quantity	K-Factor	Type	Size	Response	Finish	Temperature	Note
●	Victaulic	VK3021	QR/SS	340	5.6	Pendent	1/2"	Quick	White Polyester	155 °F	NEW PENDENT
●	Victaulic	V3506	VS1	6	5.6	Pendent	1"	Quick	VC250	155 °F	NEW DRY FLEX PENDENT
●	Victaulic	VK3021	QR/SS	6	5.6	Pendent	1/2"	Quick	White Polyester	200 °F	NEW 200° PENDENT
●	Victaulic	VK176	QR/SS - DRY	2	5.6	Pendent	1"	Quick	Chrome	155 °F	NEW DRY PENDENT
●	Victaulic	VK3001	QR/SS	191	5.6	Upright	1/2"	Quick	Brass	155 °F	NEW UPRIGHT SPRINKLER
●	Victaulic	VK681	V-BB	62	8	Upright	3/4"	Quick	Brass	200 °F	NEW ATTIC UPRIGHT
●	Victaulic	VK3001	QR/SS	6	5.6	Upright	1/2"	Quick	Brass	155 °F	NEW UR IN OVERSHEETING
▶	Tyco	TY3355	SERIES DS-1	7	5.6	Sidewall	1"	Quick	Chrome	200 °F	NEW DRY SIDEWALL
				Total = 620							

THE SPRINGS OF BALLENTINE
40 RAWLS CLUB RD
FUQUAY-VARINA, NC 27526

J & D SPRINKLER CO. INC.
315 W. MAIN ST., CLAYTON, NC 27520
PHONE: (919)553-2356 FAX: (919) 359-0622

SHEET TITLE:
CEILING PLAN
AREA B

This fire sprinkler planning and design drawing has been prepared by J & D Sprinkler Co. as a licensed fire sprinkler contractor under Article 2 of Chapter 87 of the General Statutes of the State of North Carolina. The contractor is not responsible for the accuracy of the information provided in this drawing. The contractor must perform any and all installation work and other work performed in reliance on this drawing pursuant to G.S. § 55B-15(a)(2). Installation work or any other work performed by any other person or entity in reliance on this drawing or any copy thereof is strictly prohibited.
c. 2013 J & D Sprinkler Co., Inc.



NC # 16269FS CERT # 71075
NICET LEVEL III
JASON GRAHAM

NC # 16269FS CERT # 121842
NICET LEVEL III
REVISION:
NO. DATE

1 05/15/23
Date: **02/13/2023**

Scale: **1/8" = 1'-0"**
0 10'

Job Number: **F23007**

Drawn By: **TWC**

Sheet Number

FP-7 OF 7