

FOR QUESTIONS, CALL THE
Eastern North Carolina
REGION 36
PHONE: (919) 825-3566
EMAIL: reg36@econair.com

PATENT NUMBERS

AC-PSP (UNITED STATES) - US PATENT 7963830 B2.
AC-PSP WALL (CANADA) - CA PATENT 2820509.
AC-PSP ISLAND (CANADA) - CA PATENT 2520330.

HOOD INFORMATION - JOB#5832579

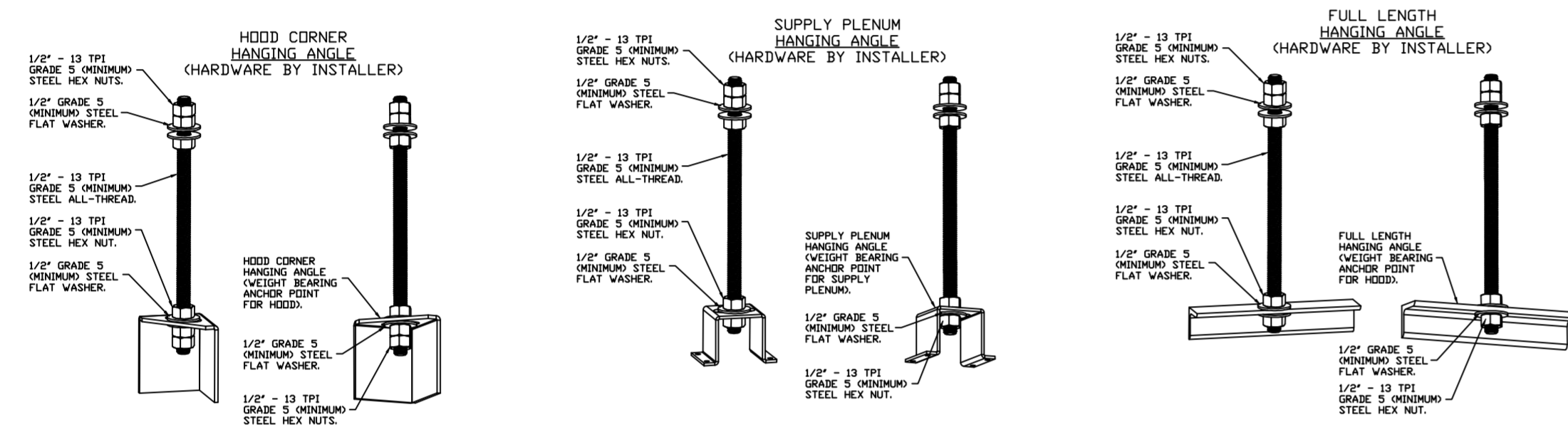
HOOD NO	TAG	MODEL	MANUFACTURER	LENGTH	MAX COOKING TEMP	TYPE	APPLIANCE DUTY	DESIGN CFM/FT	TOTAL EXH CFM	EXHAUST PLENUM RISER(S)					TOTAL SUPPLY CFM	HOOD CONSTRUCTION	HOOD CONFIG			
										WIDTH	LENG	HEIGHT	DIA	CFM			VEL	SP	END TO END	RDW
1		5424 EX-2-PSP-F	ECON-AIR	10' 0"	600 DEG	I	HEAVY	200	2000	10'	19'	4'		2000	1516	-0.414"	1600	430 SS WHERE EXPOSED	ALONE	ALONE
2		5424 EX-2-PSP-F	ECON-AIR	10' 0"	600 DEG	I	HEAVY	200	2000	10'	19'	4'		2000	1516	-0.414"	1600	430 SS WHERE EXPOSED	ALONE	ALONE

HOOD INFORMATION

HOOD NO	TAG	FILTER(S)					LIGHT(S)					UTILITY CABINET(S)				FIRE SYSTEM PIPING	HOOD HANGING WEIGHT	
		TYPE	QTY	HEIGHT	LENGTH	EFFICIENCY @ 7 MICRONS	QTY	TYPE	WIRE GUARD	LOCATION	SIZE	TYPE	SIZE	MODEL #	SWITCHES QUANTITY			
1		SS BAFFLE WITH HANDLES	7	16"	16"	30%	7	L55 SERIES E26	NO								NO	534 LBS
2		SS BAFFLE WITH HANDLES	7	16"	16"	30%	7	L55 SERIES E26	NO								NO	534 LBS

PERFORATED SUPPLY PLENUM(S)

HOOD NO	TAG	POS	LENGTH	WIDTH	HEIGHT	TYPE	RISER(S)				
							WIDTH	LENG	DIA	CFM	SP
1		Front	120"	14"	6"	MUA	12"	28"		800	0.206'
						MUA	12"	28"		800	0.206'
2		Front	120"	14"	6"	MUA	12"	28"		800	0.206'
						MUA	12"	28"		800	0.206'

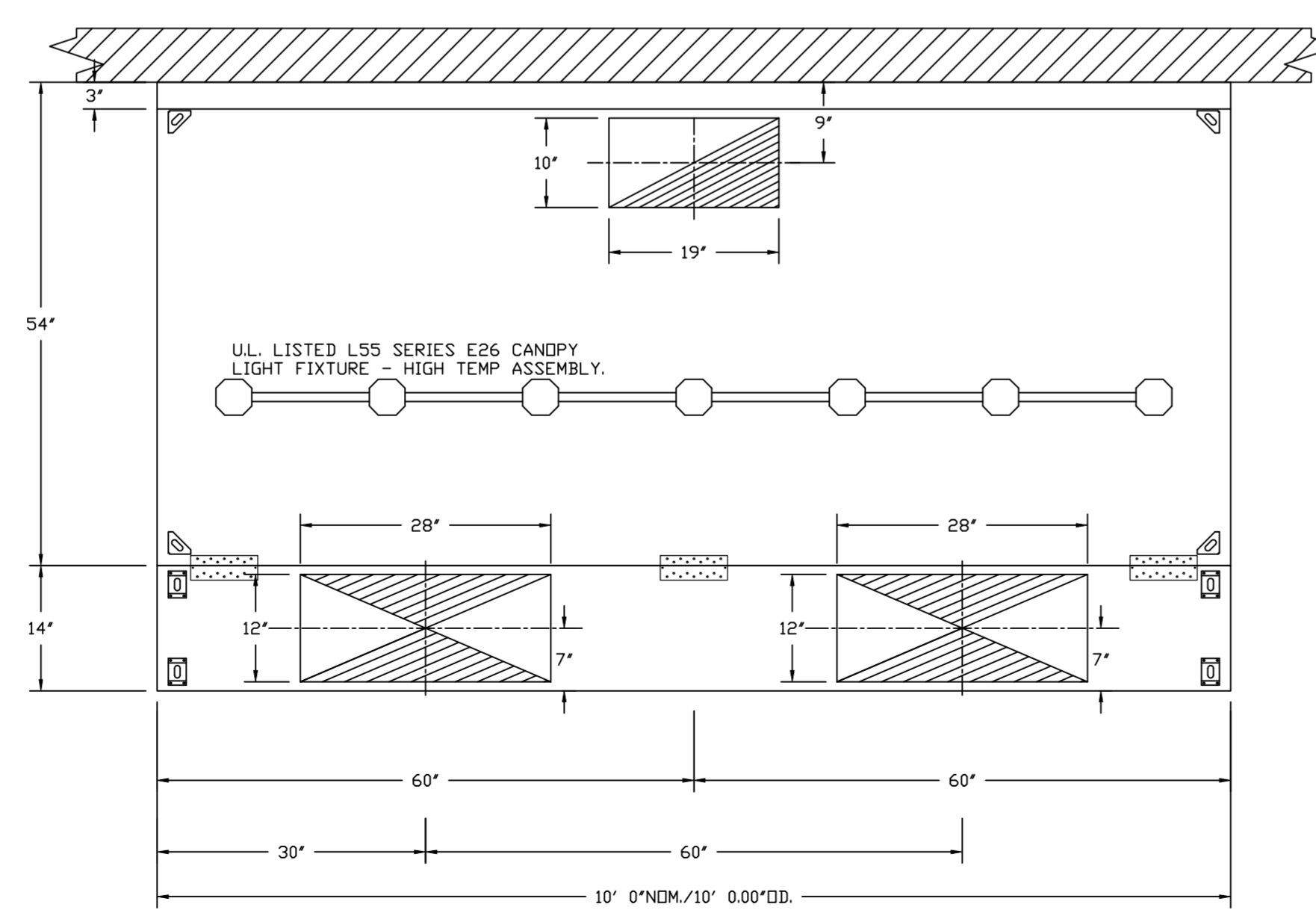


ASSEMBLY INSTRUCTIONS

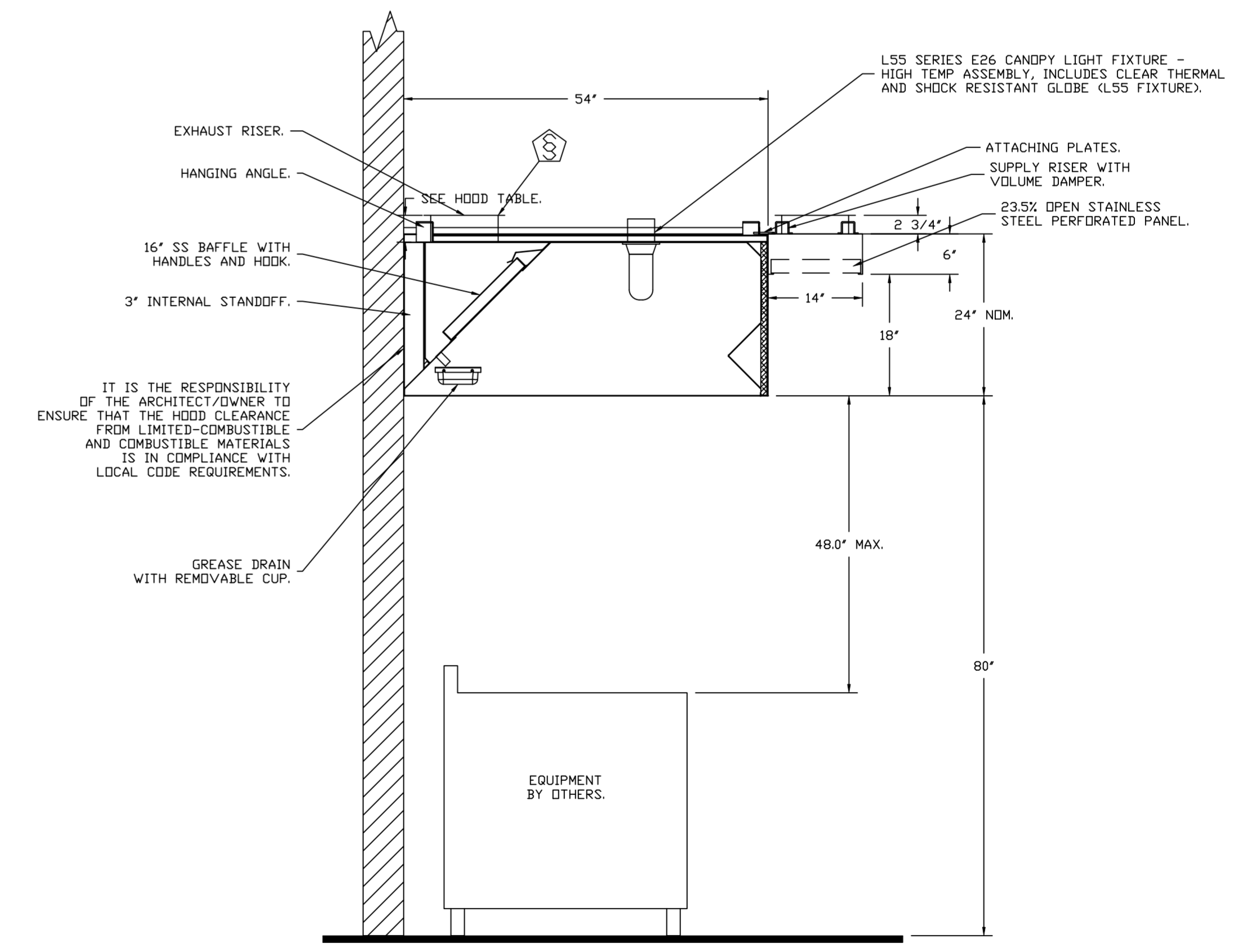
HANGING ANGLE MUST BE SUPPORTED WITH 1/2" - 13 TPI GRADE 5 (MINIMUM) ALL-THREAD. SANDWICH HANGING ANGLES AND CEILING ANCHOR POINTS WITH 1/2" GRADE 5 (MINIMUM) STEEL FLAT WASHERS AND 1/2" - 13 TPI GRADE 5 (MINIMUM) HEX NUTS AS SHOWN. MUST USE DOUBLED HEX NUT CONFIGURATION ABOVE CEILING ANCHORS. SINGLE HEX NUT BENEATH HANGING ANGLE IS ACCEPTABLE FOR PSP HANGING ANGLES. MAINTAIN 1/4" OF EXPOSED THREADS BENEATH BOTTOM HEX NUT. TORQUE ALL HEX NUTS TO 57 FT-LBS.

HANGING ANGLE MUST BE SUPPORTED WITH 1/2" - 13 TPI GRADE 5 (MINIMUM) ALL-THREAD. SANDWICH HANGING ANGLES AND CEILING ANCHOR POINTS WITH 1/2" GRADE 5 (MINIMUM) STEEL FLAT WASHERS AND 1/2" - 13 TPI GRADE 5 (MINIMUM) HEX NUTS AS SHOWN. MUST USE DOUBLED HEX NUT CONFIGURATION ABOVE CEILING ANCHORS. SINGLE HEX NUT BENEATH HANGING ANGLE IS ACCEPTABLE FOR PSP HANGING ANGLES. MAINTAIN 1/4" OF EXPOSED THREADS BENEATH BOTTOM HEX NUT. TORQUE ALL HEX NUTS TO 57 FT-LBS.

HANGING ANGLE MUST BE SUPPORTED WITH 1/2" - 13 TPI GRADE 5 (MINIMUM) ALL-THREAD. SANDWICH HANGING ANGLES AND CEILING ANCHOR POINTS WITH 1/2" GRADE 5 (MINIMUM) STEEL FLAT WASHERS AND 1/2" - 13 TPI GRADE 5 (MINIMUM) HEX NUTS AS SHOWN. MUST USE DOUBLED HEX NUT CONFIGURATION ABOVE CEILING ANCHORS. SINGLE HEX NUT BENEATH HANGING ANGLE IS ACCEPTABLE FOR FULL LENGTH HANGING ANGLES. MAINTAIN 1/4" OF EXPOSED THREADS BENEATH BOTTOM HEX NUT. TORQUE ALL HEX NUTS TO 57 FT-LBS.



PLAN VIEW - HOOD #1, #2
10' 0.00" LONG 5424EX-2-PSP-F



SECTION VIEW - MODEL 5424EX-2-PSP-F
HOOD - #1, #2

REVISIONS

NO.	DESCRIPTION	DATE

econ·air
www.econair.com

Eastern North Carolina
4641 Paragon Park Rd., Raleigh, NC, 27616 PHONE: (919) 825-3566 FAX: (919) 227-5917 EMAIL: reg36@econair.com

KOTO HIBACHI & SUSHI
177 Mittie Haddock Dr.
Cameron, NC, 28326

DATE: 2/20/2023
DWG.#: 5832579
DRAWN BY: reg36
SCALE: 3/4" = 1'-0"
MASTER DRAWING

SHEET NO. 1

EXHAUST FAN INFORMATION - JOB#5832579

FAN UNIT NO	TAG	QTY	FAN UNIT MODEL #	MANUFACTURER	CFM	ESP	RPM	MOTOR ENCL	HP	BHP	PHASE	VOLT	FLA	DISCHARGE VELOCITY	WEIGHT (LBS)	SONES
1	KEF-1	1	EADU85H	ECON-AIR	2000	1.000	1435	TEAD-ECM	1.000	0.5330	1	230	6.5	633 FPM	94	13.9
2	KEF-2	1	EADU85H	ECON-AIR	2000	1.000	1435	TEAD-ECM	1.000	0.5330	1	230	6.5	633 FPM	94	13.9

MUA FAN INFORMATION - JOB#5832579

FAN UNIT NO	TAG	QTY	FAN UNIT MODEL #	BLOWER	HOUSING	MIN CFM	DESIGN CFM	ESP	RPM	MOTOR ENCL	HP	BHP	PHASE	VOLT	FLA	MCA	MOCP	WEIGHT (LBS)	SONES
3	MUA	1	EA-A2-20D	20MF-2-MDD	A2	1500	3200	0.500	1154	DDP, PREMIUM	1.500	0.8710	3	208	6.6	8.3A	15A	411	11.9

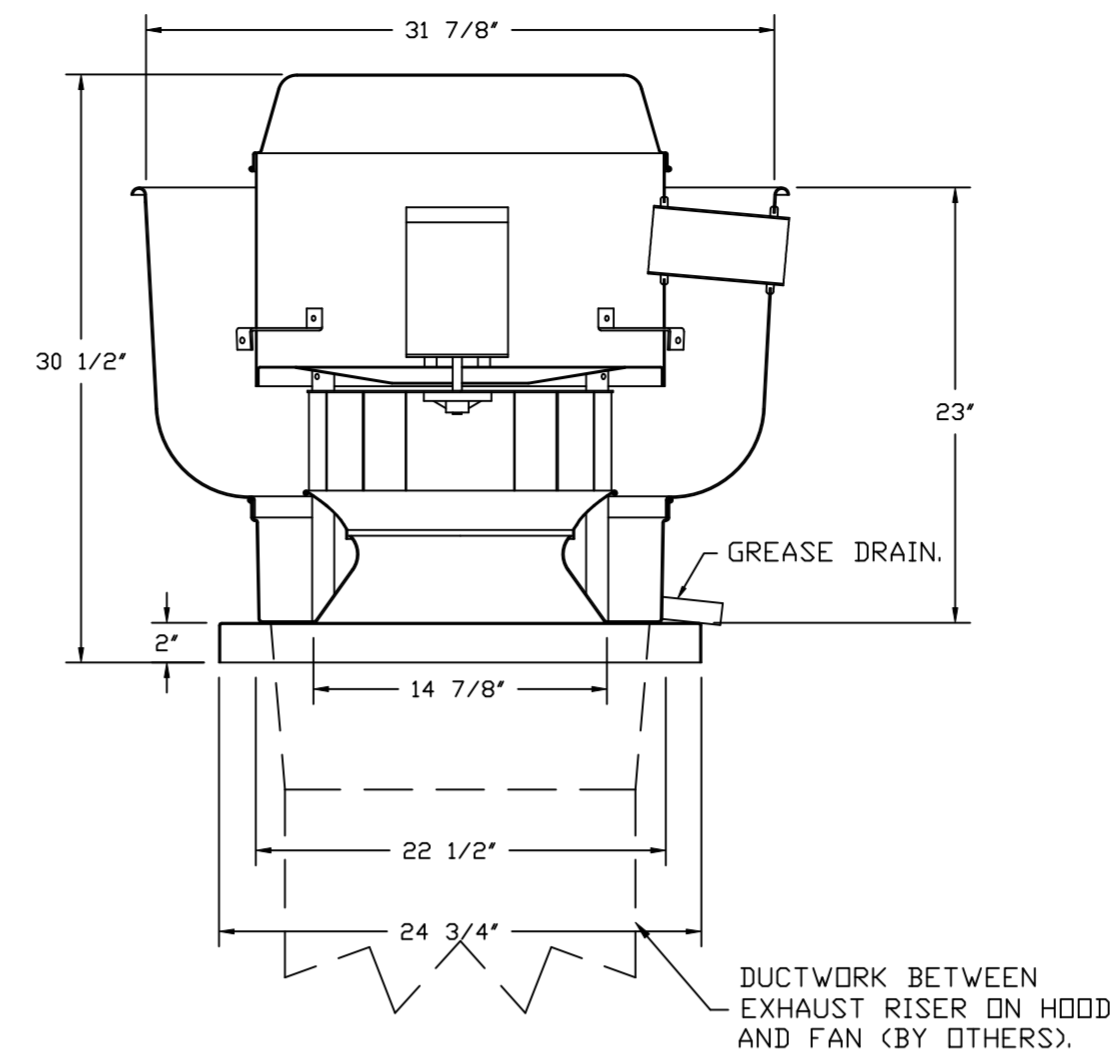
FAN OPTIONS

FAN UNIT NO	TAG	QTY	DESCRIPTION
1	KEF-1	1	GREASE BDX
		1	ECM WIRING PACKAGE - EXHAUST - MANUAL OR 0-10VDC REFERENCE SPEED CONTROL -MSC- (TELCD), CCW ROTATION
		1	EXHAUST FAN HEAT BAFFLE
		1	2 YEAR PARTS WARRANTY
2	KEF-2	1	GREASE BDX
		1	ECM WIRING PACKAGE - EXHAUST - MANUAL OR 0-10VDC REFERENCE SPEED CONTROL -MSC- (TELCD), CCW ROTATION
		1	EXHAUST FAN HEAT BAFFLE
		1	2 YEAR PARTS WARRANTY
3	MUA	1	SIZE 2 UNTEMPERED COMMERCIAL DOWN DISCHARGE FOR DIRECT DRIVE AHUS
		1	VAV PACKAGE W/ MANUAL CONTROL FOR NON TEMPERED UNITS (VFD INCLUDED)
		1	2 YEAR PARTS WARRANTY
		1	2 YEAR PARTS WARRANTY

FAN ACCESSORIES

FAN UNIT NO	TAG	EXHAUST				SUPPLY			
		GREASE CUP	GRAVITY DAMPER	WALL MOUNT	SIDE DISCHARGE	GRAVITY DAMPER	MOTORIZED DAMPER	WALL MOUNT	
1	KEF-1	YES							
2	KEF-2	YES							
3	MUA								

FANS #1 (KEF-1), #2 (KEF-2) - EADU85H EXHAUST FAN



FEATURES:

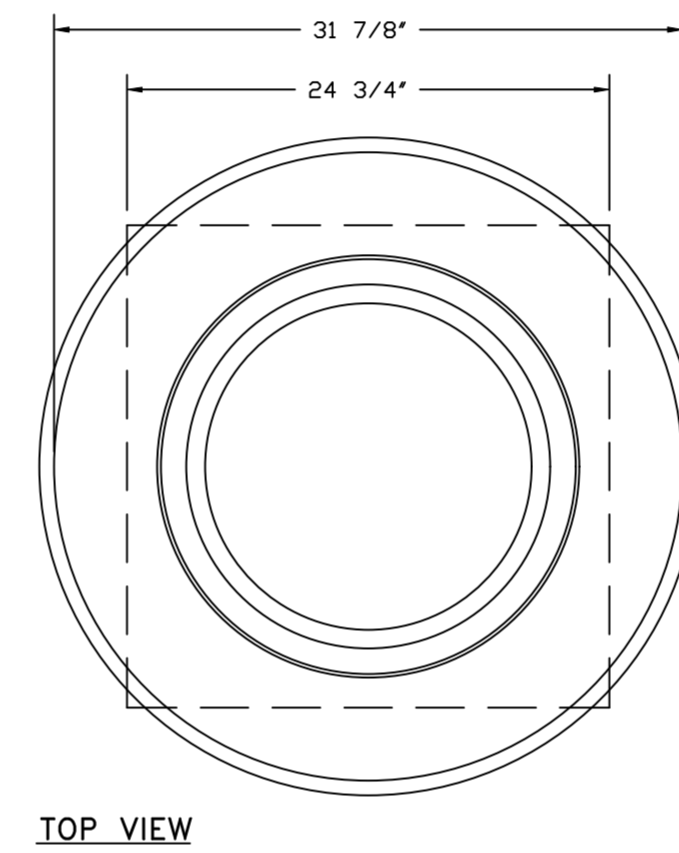
- DIRECT DRIVE CONSTRUCTION (NO BELTS/PULLEYS).
- ROOF MOUNTED FANS.
- RESTAURANT MODEL.
- UL705 AND UL762 AND ULC-S645
- VARIABLE SPEED CONTROL.
- INTERNAL WIRING.
- THERMAL OVERLOAD PROTECTION (SINGLE PHASE).
- HIGH HEAT OPERATION 300°F (149°C).
- GREASE CLASSIFICATION TESTING.
- NEMA 3R SAFETY DISCONNECT SWITCH.

NORMAL TEMPERATURE TEST
EXHAUST FAN MUST OPERATE CONTINUOUSLY WHILE EXHAUSTING AIR AT 300°F (149°C) UNTIL ALL FAN PARTS HAVE REACHED THERMAL EQUILIBRIUM, AND WITHOUT ANY DETERIORATING EFFECTS TO THE FAN WHICH WOULD CAUSE UNSAFE OPERATION.

ABNORMAL FLARE-UP TEST
EXHAUST FAN MUST OPERATE CONTINUOUSLY WHILE EXHAUSTING BURNING GREASE VAPORS AT 600°F (316°C) FOR A PERIOD OF 15 MINUTES WITHOUT THE FAN BECOMING DAMAGED TO ANY EXTENT THAT COULD CAUSE AN UNSAFE CONDITION.

OPTIONS

- GREASE BDX.
- ECM WIRING PACKAGE - EXHAUST - MANUAL OR 0-10VDC REFERENCE SPEED CONTROL -MSC- (TELCD), CCW ROTATION.
- EXHAUST FAN HEAT BAFFLE.
- 2 YEAR PARTS WARRANTY.



TOP VIEW

GREASE BOX INSTALLATION

PARTS INCLUDED

- GREASE BDX.
- GREASE BOX COVER.
- GREASE PIPE.
- SHEET METAL SCREWS
- 3 - LONG (3/4" LG.).

GREASE BOX FIELD INSTALLATION

STEP 1)

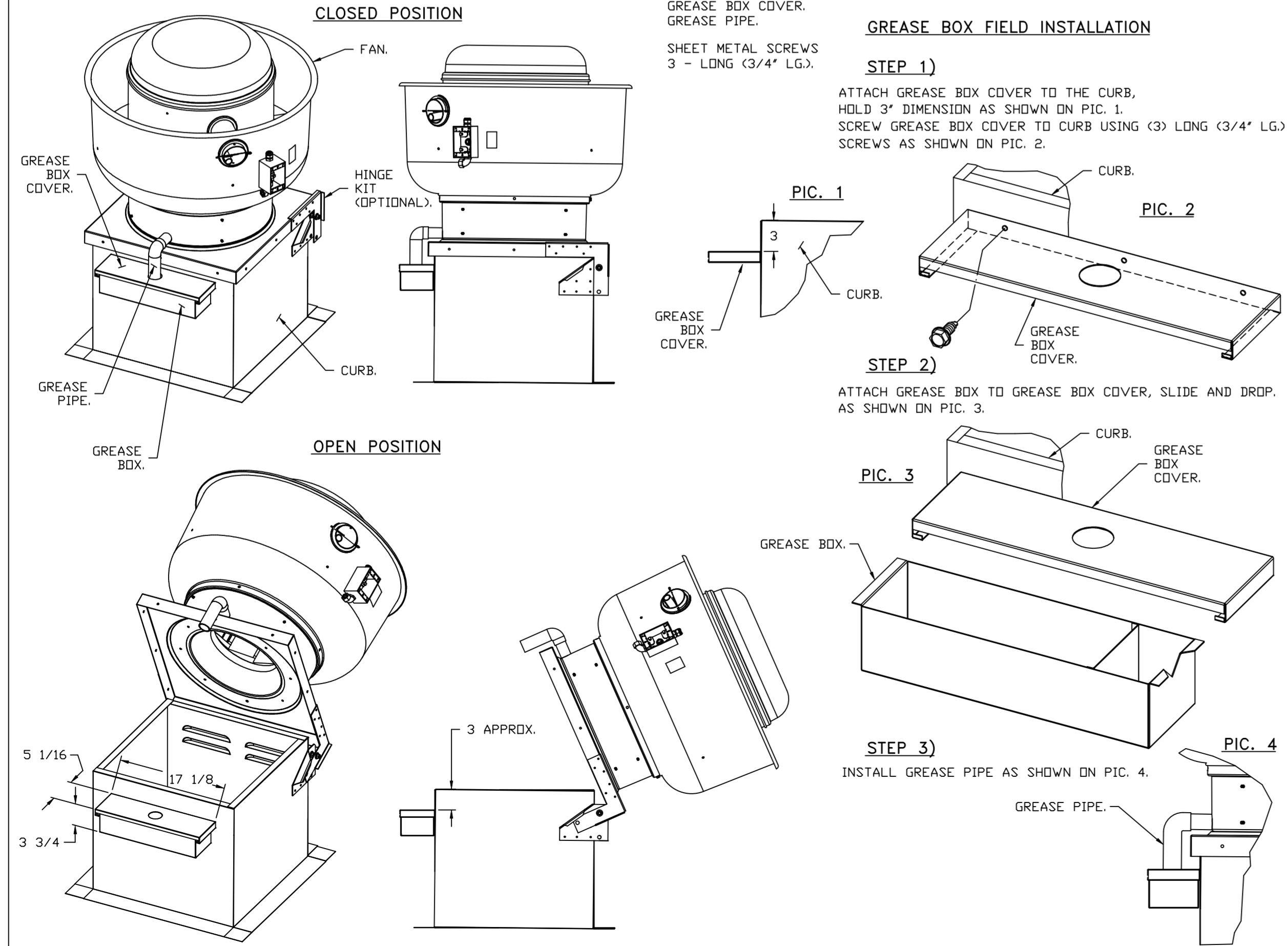
ATTACH GREASE BOX COVER TO THE CURB, HOLD 3" DIMENSION AS SHOWN ON PIC. 1. SCREW GREASE BOX COVER TO CURB USING (3) LONG (3/4" LG.) SCREWS AS SHOWN ON PIC. 2.

STEP 2)

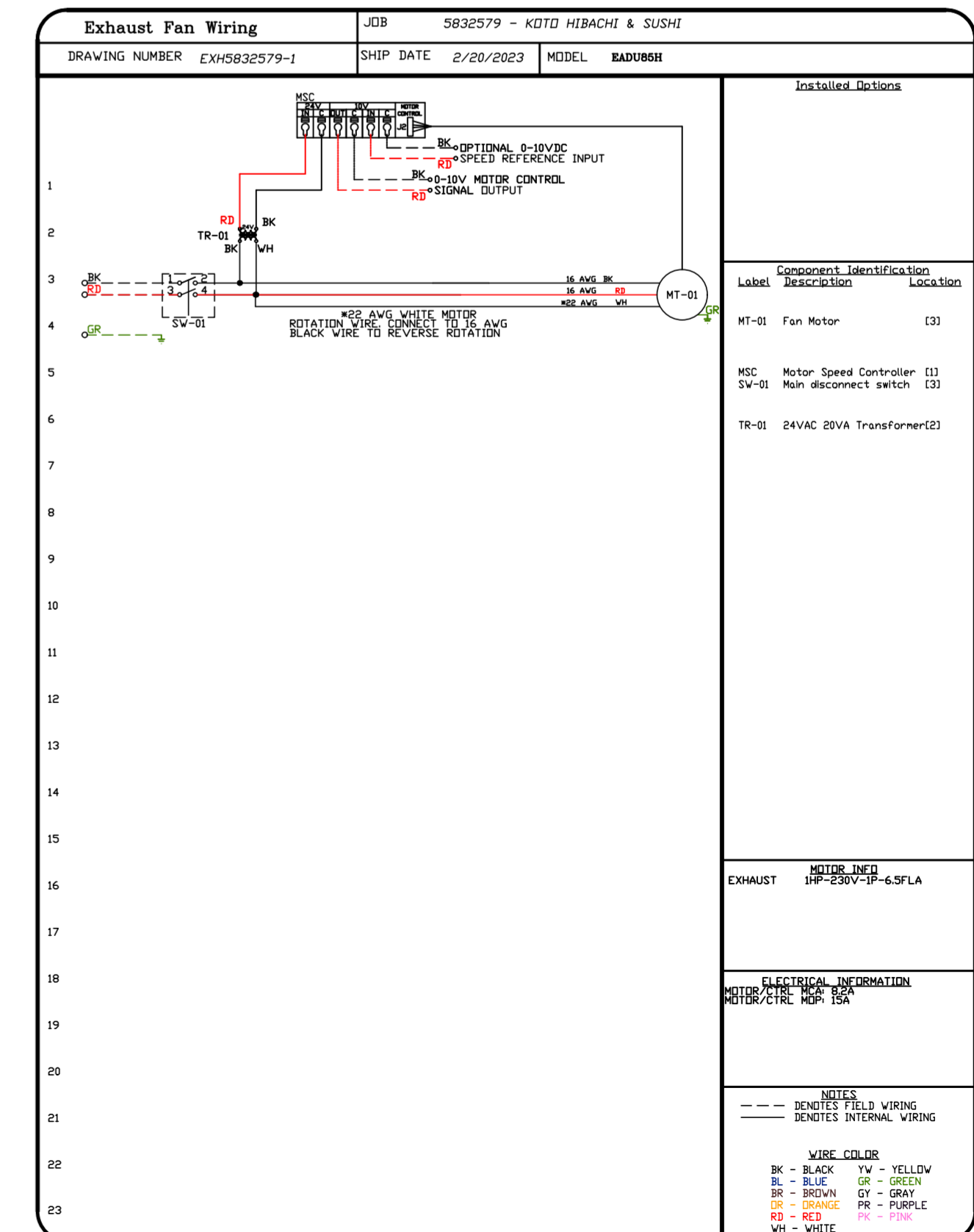
ATTACH GREASE BOX TO GREASE BOX COVER, SLIDE AND DROP. AS SHOWN ON PIC. 3.

STEP 3)

INSTALL GREASE PIPE AS SHOWN ON PIC. 4.



*NOTE: UL 705 INSTALL.



REVISIONS

DESCRIPTION	DATE

econ·air
www.econair.com

Eastern North Carolina
4641 Paragon Park Rd., Raleigh, NC, 27616 PHONE: (919) 825-3566 FAX: (919) 227-5917 EMAIL: reg36@econair.com

KOTO HIBACHI & SUSHI
177 Mittie Haddock Dr.
Cameron, NC, 28326

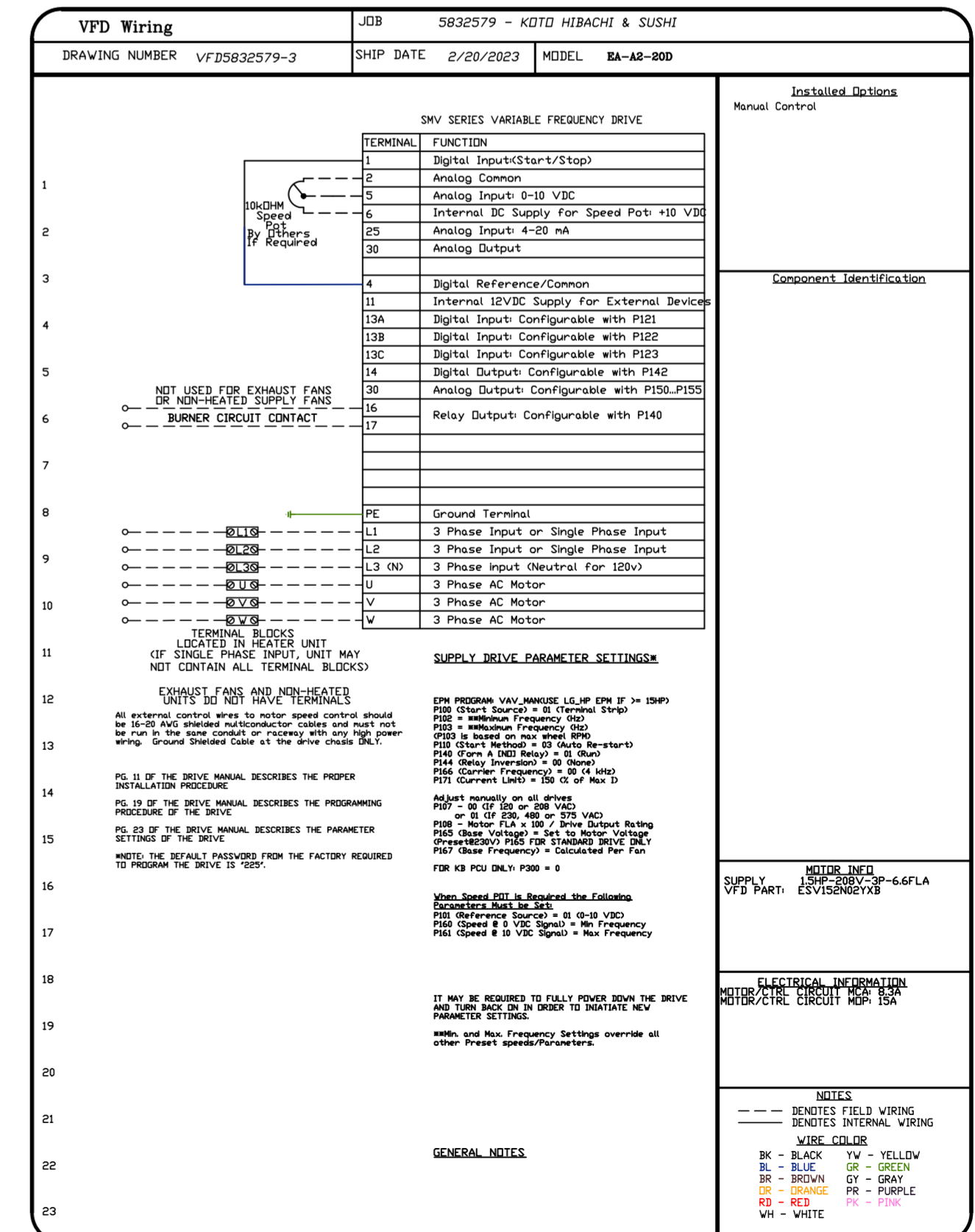
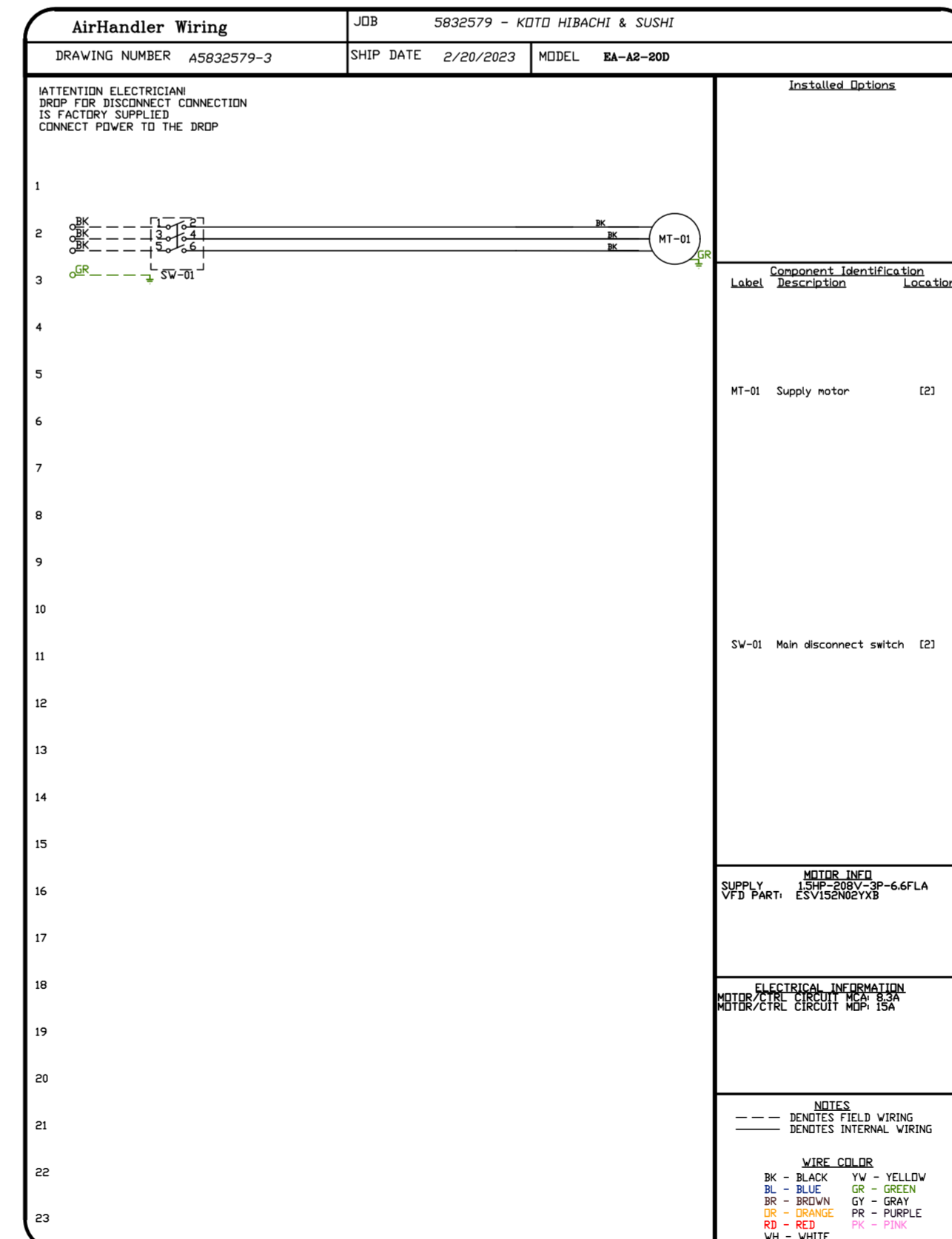
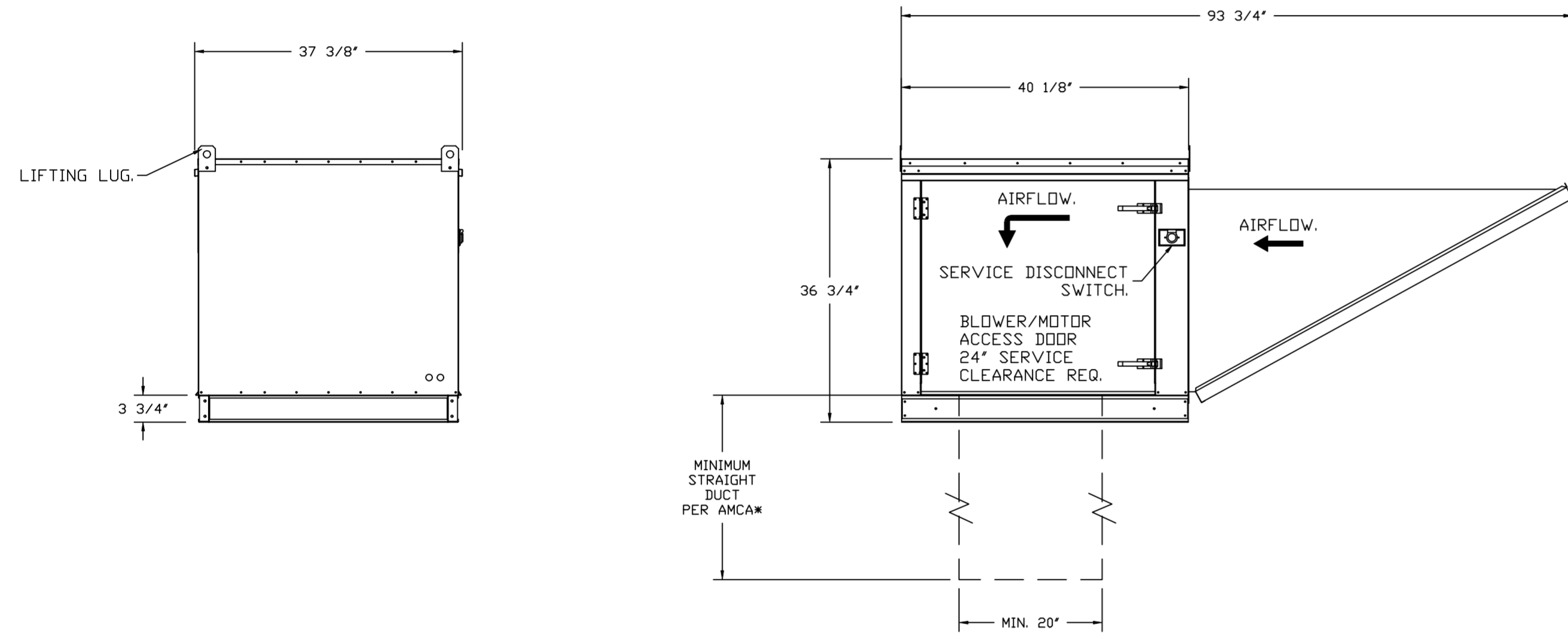
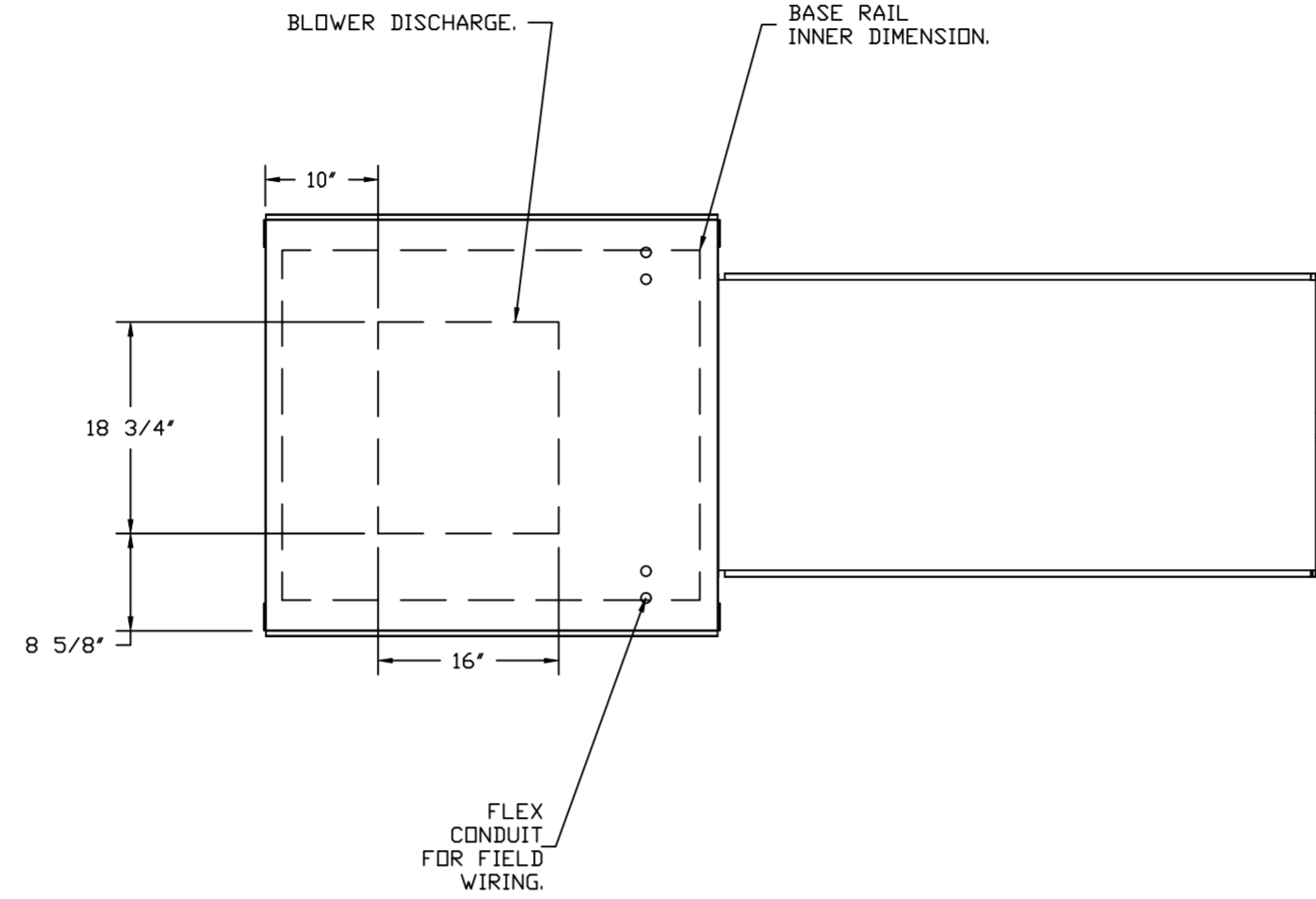
DATE: 2/20/2023
DWG.#: 5832579
DRAWN BY: reg36
SCALE: 3/4" = 1'-0"
MASTER DRAWING

SHEET NO.
2



- FAN #3 EA-A2-20D - SUPPLY FAN (MUA)
1. UNTEMPERED SUPPLY UNIT WITH 20" MIXED FLOW DIRECT DRIVE FAN IN SIZE #2 HOUSING.
 2. INTAKE HOOD WITH E2 FILTERS.
 3. DOWN DISCHARGE - AIR FLOW RIGHT -> LEFT.
 4. DOWN DISCHARGE CONSTRUCTION FOR SIZE 2 UNTEMPERED DIRECT DRIVE AHUS.
 5. VAV (VARIABLE-AIR-VOLUME) WIRING PACKAGE FOR NON TEMPERED COMMERCIAL FANS. MANUAL SPEED CONTROL VARIABLE FREQUENCY DRIVE INCLUDED.
 6. HINGED DOUBLE WALL INSULATED DOOR ASSEMBLY (BURNER/BLOWER SECTION).
 7. 2 YEAR PARTS WARRANTY

NOTE: SUPPLY DUCT MUST BE INSTALLED TO MEET SMACNA STANDARDS. A MINIMUM STRAIGHT DUCT LENGTH MUST BE MAINTAINED DOWNSTREAM OF UNIT DISCHARGE AS OUTLINED IN AMCA PUBLICATION 201. WHEN USING RECTANGULAR DUCTWORK, ELBOWS MUST BE RADIUS THROAT, RADIUS BACK WITH TURNING VANES. FLEXIBLE DUCTWORK AND SQUARE THROAT/SQUARE BACK ELBOWS SHOULD NOT BE USED. ANY TRANSITION AND/OR TURNS IN THE DUCTWORK WILL CAUSE SYSTEM EFFECT. SYSTEM EFFECT WILL DRASTICALLY INCREASE STATIC PRESSURE AND REDUCE AIRFLOW. DO NOT RELY ON UNIT TO SUPPORT DUCT IN ANY WAY. FAILURE TO PROPERLY SIZE DUCTWORK MAY CAUSE SYSTEM EFFECTS AND REDUCE PERFORMANCE OF THE EQUIPMENT. SUGGESTED STRAIGHT DUCT SIZE IS 20" x 20".



REVISIONS	
DESCRIPTION	DATE:

www.econair.com
www.econair.com

econ·air

Eastern North Carolina

4641 Paragon Park Rd., Raleigh, NC, 27616 PHONE: (919) 825-3666 FAX: (919) 227-5917 EMAIL: reg36@econair.com

KOTO HIBACHI & SUSHI
177 Mittie Haddock Dr.
Cameron, NC, 28326

DATE: 2/20/2023

DWG.#:
5832579

DRAWN BY:
reg36

SCALE:
3/4" = 1'-0"

MASTER DRAWING

SHEET NO.
4



