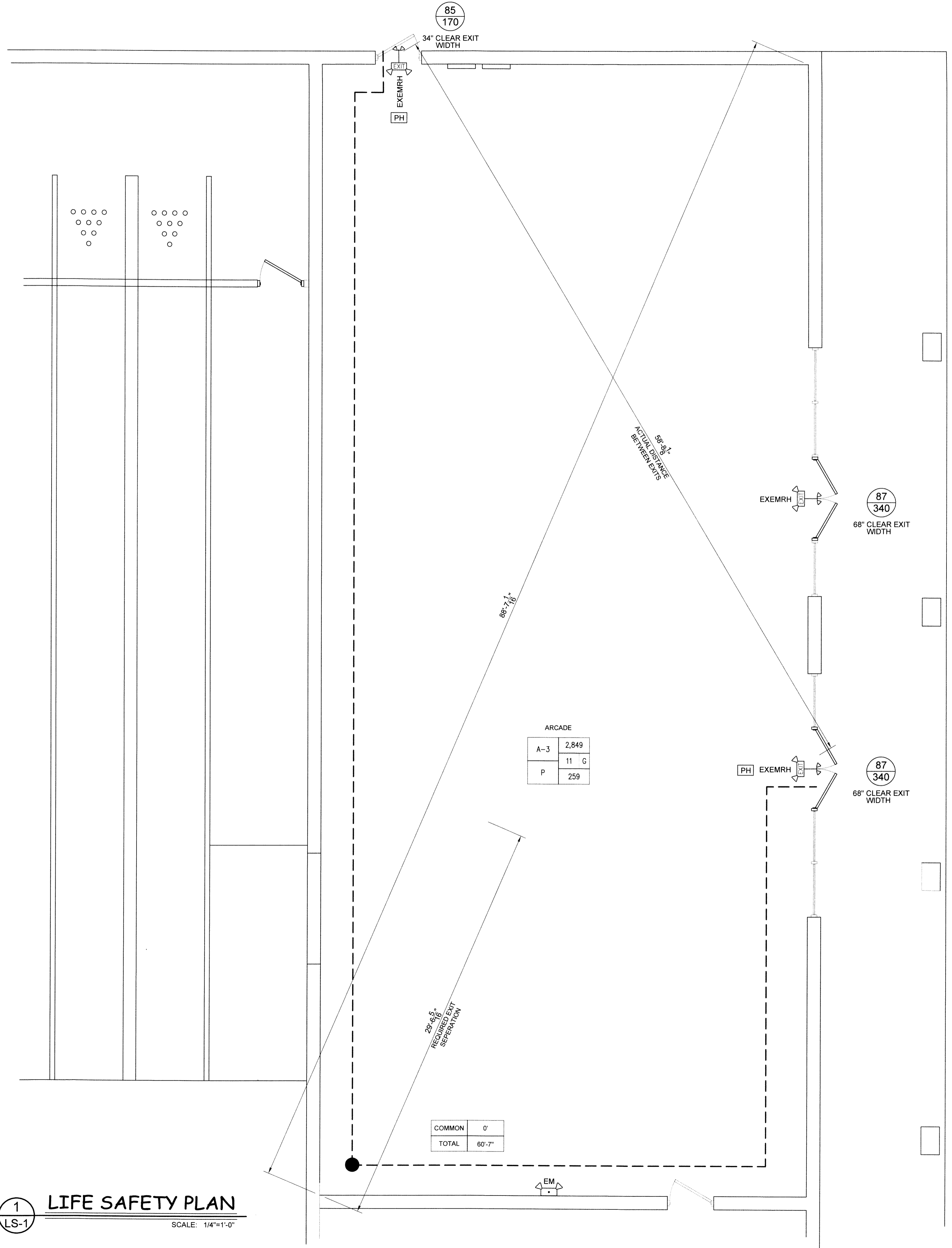
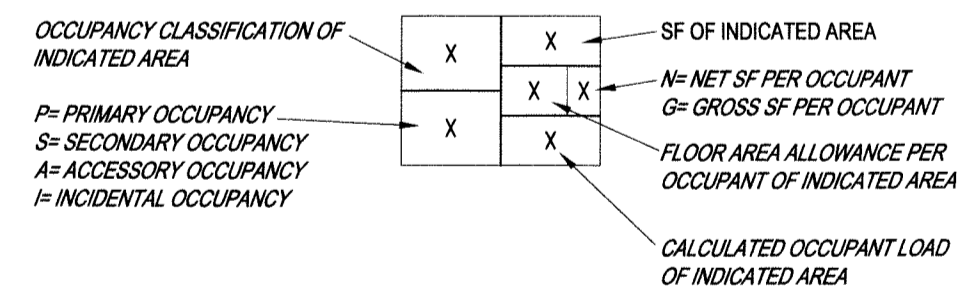


Reviewed for Fire Code Compliance
 Leslie Jackson
 02/05/2023 4:22:22 PM

LEGEND	
SYMBOL	DESCRIPTION
—	COMMON PATH OF EXIT EGRESS TRAVEL
- - - - -	ROUTE OF TOTAL EXIT ACCESS TRAVEL DISTANCE
⊗	REQUIRED OCCUPANT CAPACITY OF DOOR
⊗	ACTUAL OCCUPANT CAPACITY OF DOOR
PH	DENOTES DOORS WITH PANIC HARDWARE

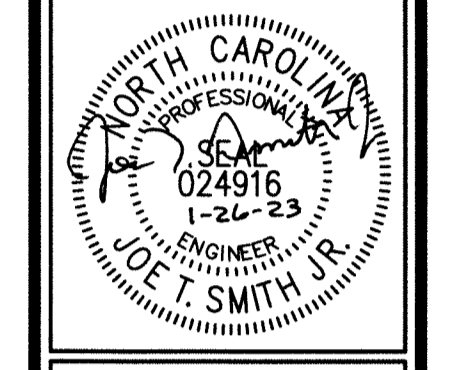


1
LIFE SAFETY PLAN
 SCALE: 1/4"=1'-0"

COPYRIGHT 2023 © SMITH ENGINEERING AND DESIGN, P.A. - ALL RIGHTS RESERVED.

SMITH ENGINEERING AND DESIGN, P.A.

1103 Gracie Place, Suite A
 Goldsboro, N.C. 27534
 Corporation License No. C-2241
 Phone: 919.736.2141 Fax: 919.736.2142



Gregory DEVELOPMENT LLC

9541 Industry Drive
 Raleigh, NC 27603 919-779-3522

REV.	DATE	DESCRIPTION

Buffaloe Lanes
Arcade Upfit

100 West Jackson Blvd
Erwin, NC 28339

DATE:	26 January 2023
DRAWN BY:	J.S.
SCALE:	1/4" = 1'-0"

LS-1