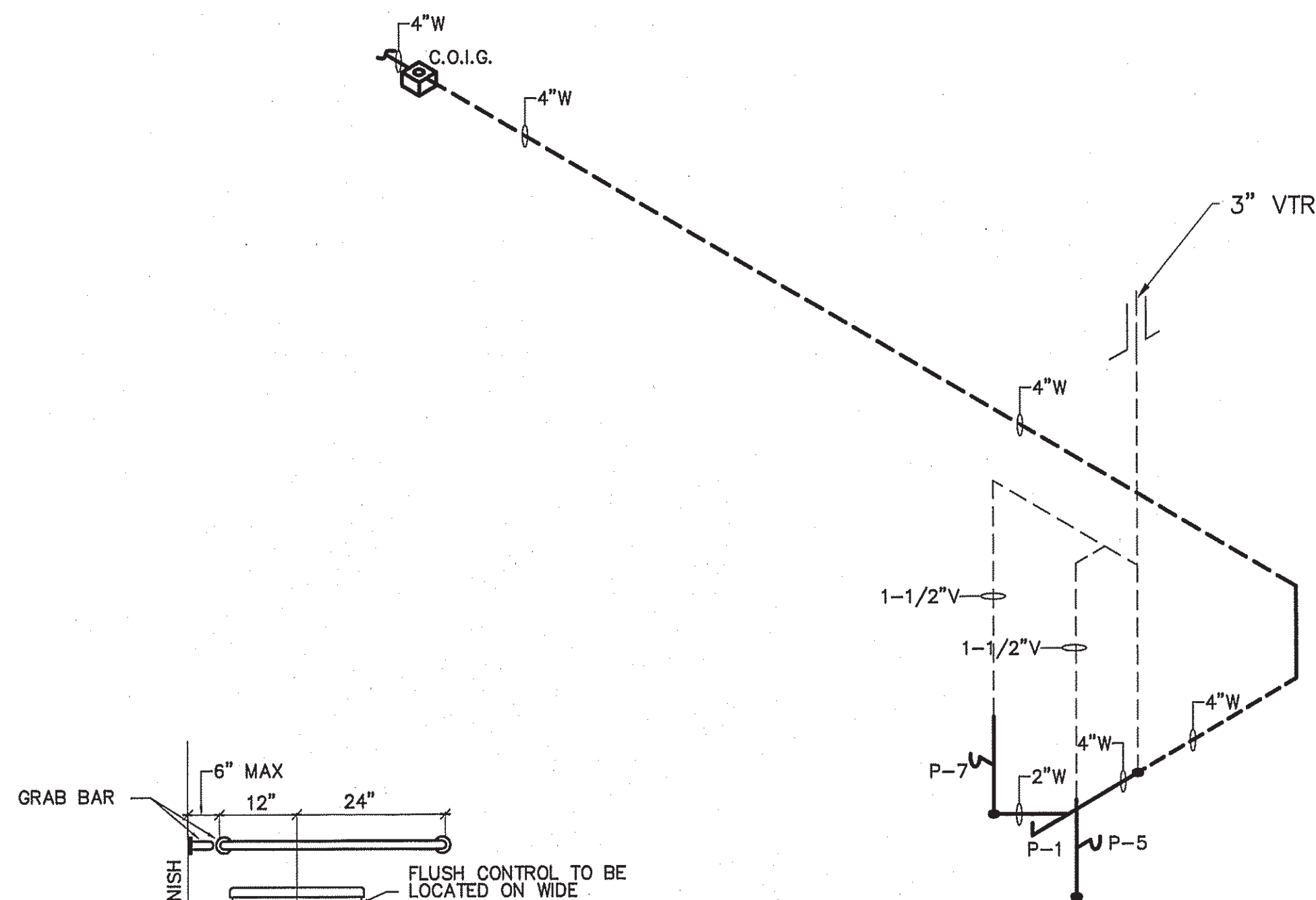


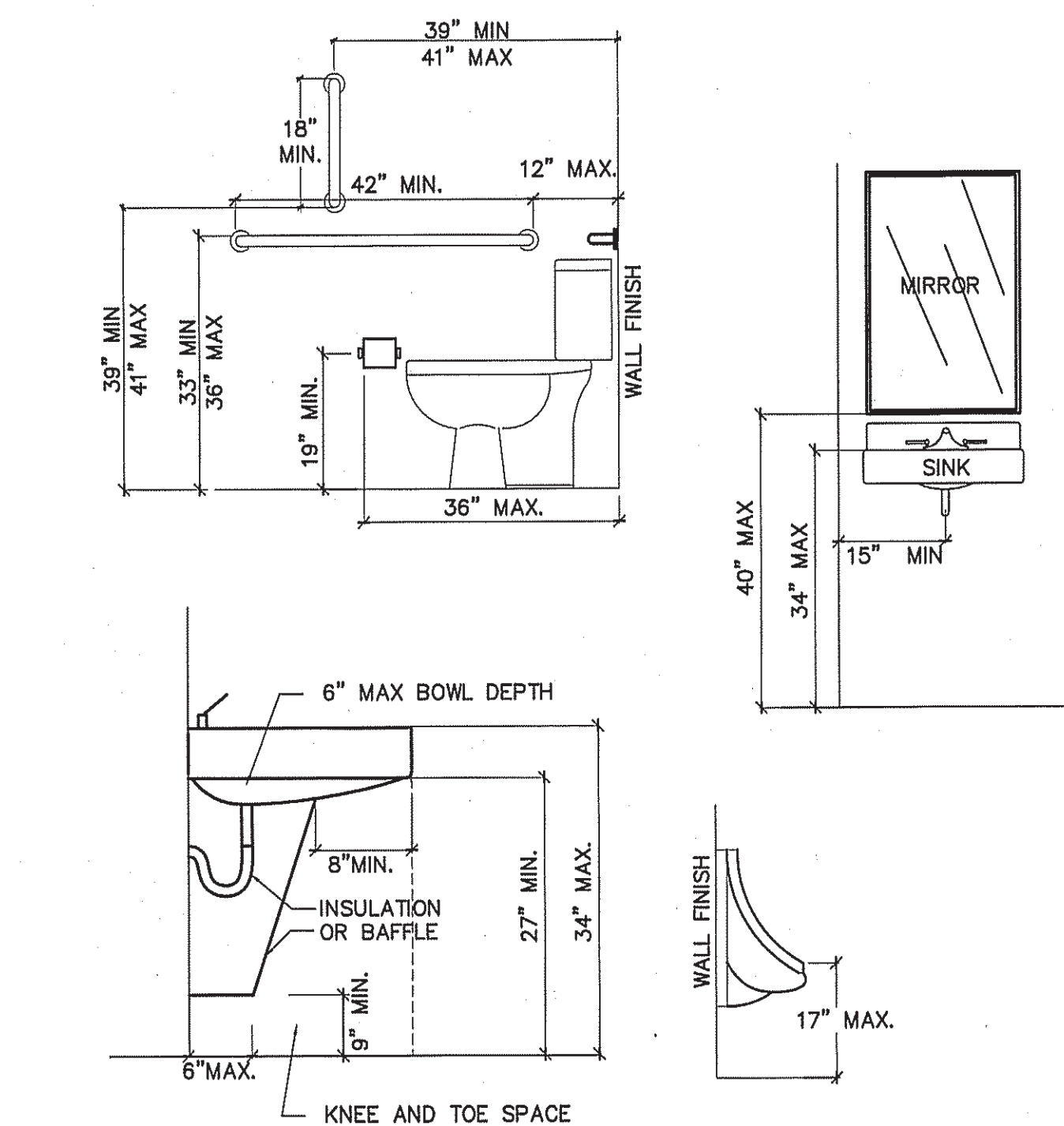
PLUMBING FIXTURE SCHEDULE

| MARK | MAKE | MODEL | DESCRIPTION | NOTES |
|------|-------------------|------------------|-------------------------------------------------------------------|------------------------------------------------------------------------------------------------------------|
| P-1 | AMERICAN STANDARD | CADET 2377.100 | EL 1.6/PA 16.5"HC ELONGATED WATER CLOSET HC ACCESSIBLE, TANK TYPE | WHITE 5311.012 SEAT |
| P-2 | AMERICAN STANDARD | REGALYN 4869.004 | LAVATORY WALL-TYPE, CAST IRON | 4" CENTERSET WALL MOUNT SINK, WHITE W/1340.227 METERING FAUCET PROVIDE PIPE WRAP AND BAFFLE UNDER LAVATORY |
| P-3 | BOSCH | US7 2 PRO | 7.2 KW POINT OF USE WATER HEATER | 240V, 1Ø |
| P-4 | OASIS | PGBACSL | SPLIT LEVEL ELECTRIC WATER COOLER | BARRIER - FREE |
| P-5 | AMERICAN STANDARD | AQUALYN 0476.028 | SELF RIMMING DROP IN SINK | 1340.227 FAUCET. PROVIDE W/BASKET DRAIN |
| P-6 | FIAT | SERV-A-SINK L-1 | 23" SINGLE BASIN FREE STANDING MOP SINK | |
| P-7 | JUST | SL-1921-A-GR | 1 COMPARTMENT SINK | SELECTED BY OWNER |
| P-8 | WOODFORD | MOD-65 | HOSE BIB FREEZE PROOF | ANTI-SIPHONING WITH VACUUM BREAKER, SELF DRAINING. |
| P-9 | STATE | PCE 50 20LSA | 50 GAL 4.5 KW WATER HEATER | HEATER IS 32-1/4" TALL; ALLOW FOR MINIMUM CLEARANCES DURING INSTALLATION |

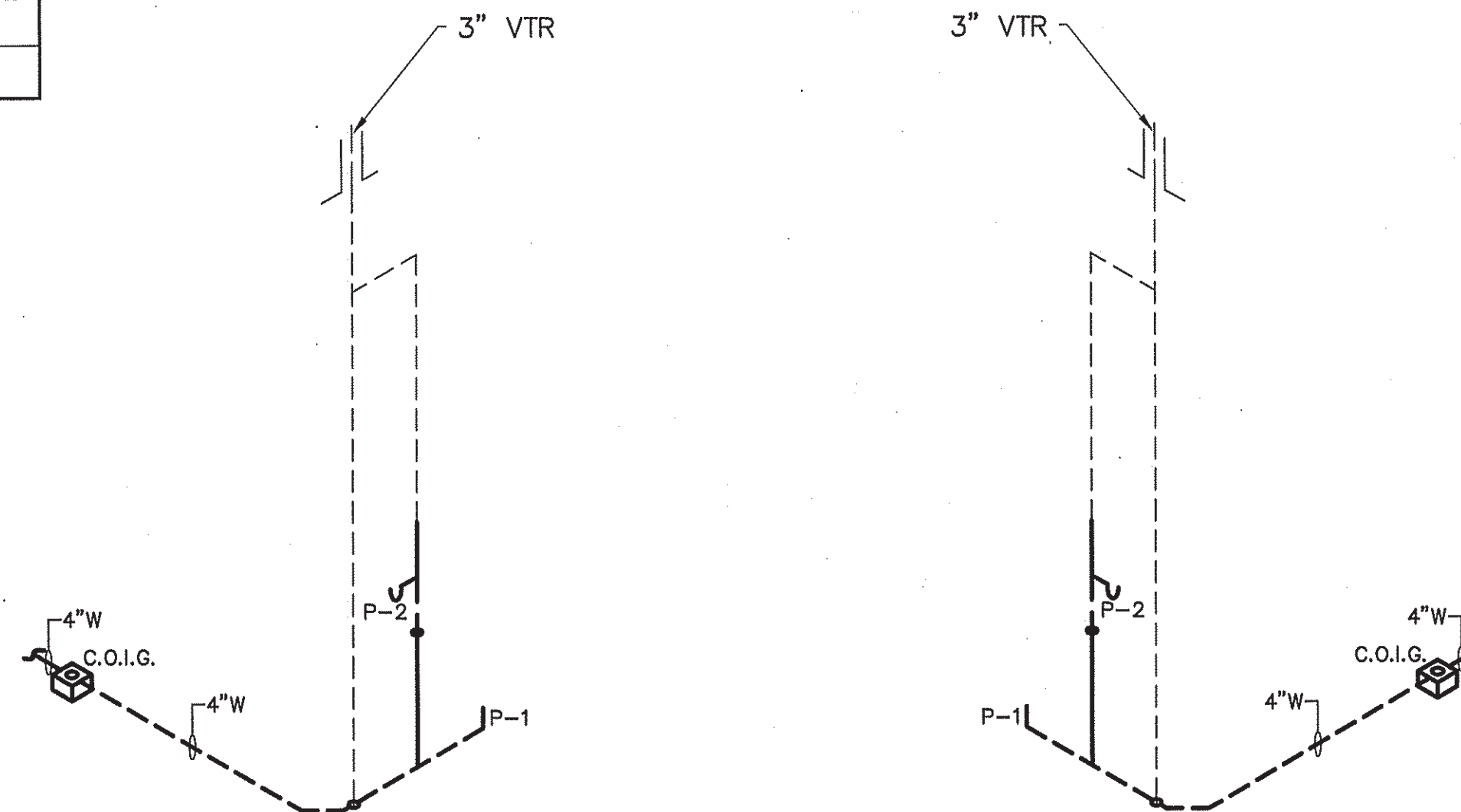
* VERIFY ALL FIXTURES WITH OWNER BEFORE PURCHASE OR INSTALLATION



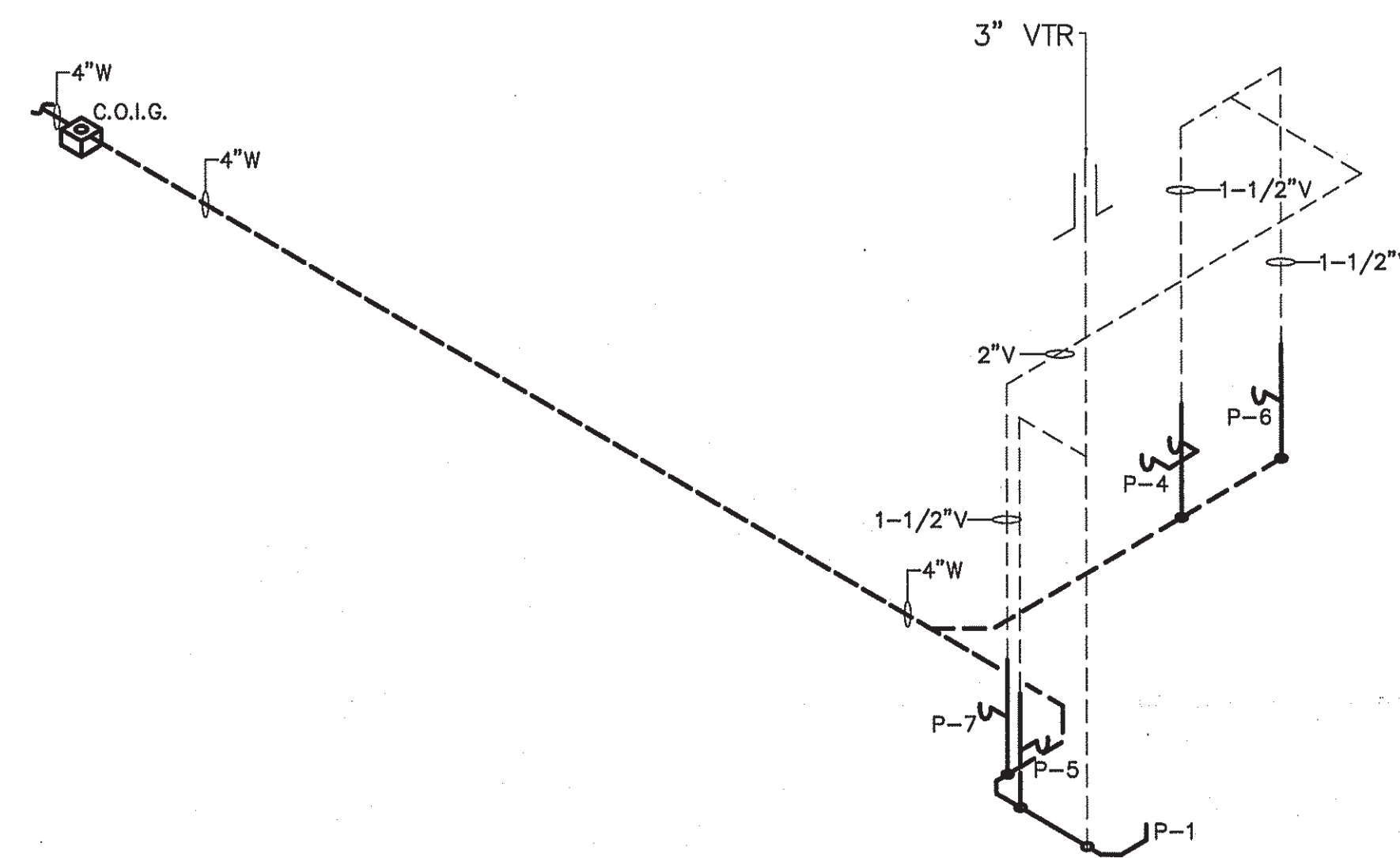
(TENANT ONE)
PLUMBING WASTE & VENT PIPING PLAN
NOT TO SCALE



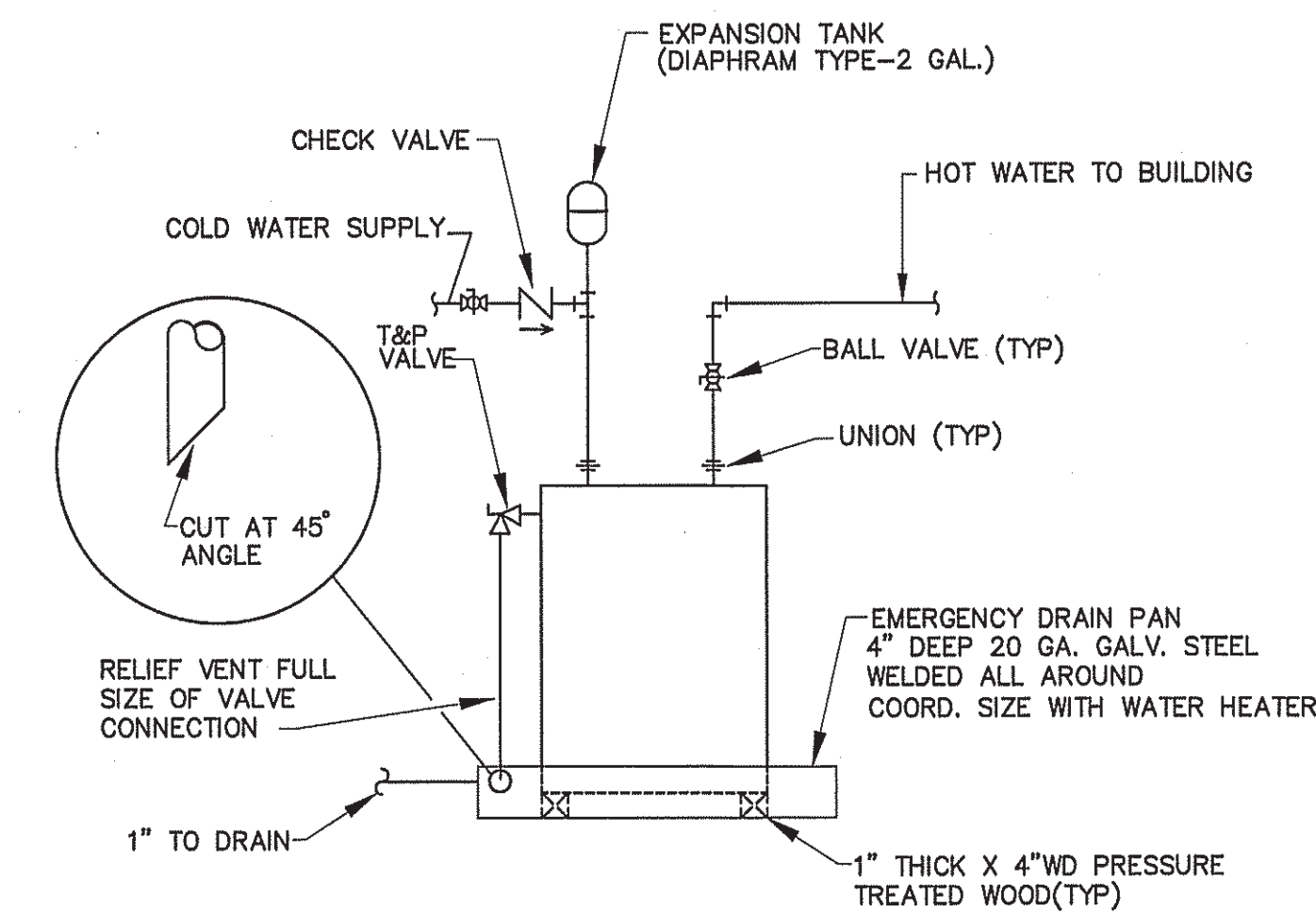
RESTROOM ACCESSIBILITY DETAILS
SCALE: 1/2" = 1'-0"



(TENANT TWO & THREE)
PLUMBING WASTE & VENT PIPING PLAN
NOT TO SCALE



(TENANT FOUR)
PLUMBING WASTE & VENT PIPING PLAN
NOT TO SCALE

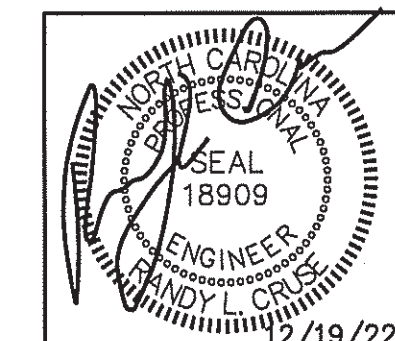


DETAIL-WATER HEATER
NOT TO SCALE

| PLUMBING LEGEND | |
|--------------------------------------|--------------------------------------|
| DESCRIPTION | SYMBOL |
| COLD WATER | — CW |
| HOT WATER | — HW |
| COLD WATER (FILTERED) | — |
| RECIRCULATED WATER | — HWR |
| VENT PIPING | - - - V |
| WASTE PIPING | — NEW — EXISTING — W |
| CLEAN OUT IN GRADE | □ C.O.I.G. |
| FLOOR CLEAN OUT | ○ F.C.O. |
| NON FREEZE HOSE BIBB | — NFHB |
| FLOOR DRAIN | ○ F.D. |
| CHECK VALVE | — |
| BALL VALVE | — |
| GATE VALVE | — |
| SHUT-OFF VALVE | — |
| DOUBLE CHECK VALVE | — |
| FIXTURE DESIGNATION | P-- |
| MOUNTING HEIGHT | MH |
| POINT OF CONNECTION NEW TO EXISTING | — |
| FLOOR SINK | — |
| SHOCK ABSORBER W/BALL VALVE SHUT-OFF | — SA SIZE PER MANUF. RECOMMENDATIONS |
| CHANGE IN PIPE SIZE | — |

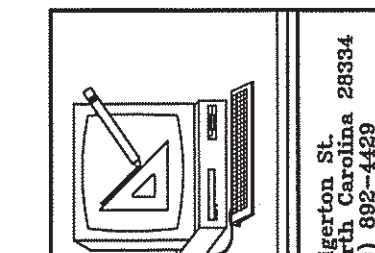
GENERAL PLUMBING NOTES

- ALL WORK SHALL BE IN COMPLIANCE WITH APPLICABLE LOCAL, STATE, AND NATIONAL CODES.
- CONTRACTORS SHALL COORDINATE PIPING WITH ALL OTHER TRADES.
- CONTRACTOR SHALL REFER TO ARCHITECTURAL/STRUCTURAL DRAWINGS FOR DIMENSIONS.
- CONTRACTOR SHALL FURNISH AND INSTALL DIELECTRIC UNIONS AT ALL CONNECTIONS BETWEEN DISSIMILAR METALS.
- CONTRACTOR SHALL FURNISH AND INSTALL ESCUTCHEONS AND COVER PLATES AT ALL FINISHED WALLS, CEILINGS AND FLOOR OPENINGS.
- PIPING SHALL BE DISINFECTED IN ACCORDANCE WITH STATE AND LOCAL CODE. (REFER TO SPECIFICATIONS.)
- ALL PIPING SHALL BE TESTED FOR LEAKS. IF ANY LEAKS ARE DETECTED THE PIPING SHALL BE REPAIRED, RESOLDERED OR REPLACED AND RETESTED.
- ALL SOLDER SHALL BE OF THE LEAD FREE TYPE.
- WATER HEATER SHALL BE SUPPLIED WITH FACTORY INSTALLED T&P VALVES AND SHALL HAVE UNIONS AND ISOLATION VALVES.
- DOMESTIC WATER SUPPLY PIPING SHALL BE COPPER OR CPVC. PEX IS ALLOWED WHERE PERMITTED BY CODE.
- WASTE AND VENT PIPING SHALL BE SCH. 40 PVC OR HEAVY DUTY CAST IRON UNDER TRAFFIC AREAS.
- INSTALL THERMOSTATICALLY CONTROLLED MIXING VALVES AS NEEDED TO ENSURE HOT WATER TEMPERATURE TO ALL HAND WASHING LOCATIONS DOES NOT EXCEED 110°F.
- ALL FLOOR DRAINS & HUB DRAINS SHALL BE PROVIDED WITH TRAP PRIMER EXCEPT FLOOR DRAINS IN TOILETS WHERE HOSE BIBS ARE PROVIDED.
- HOT WATER PIPING SHALL BE INSULATED WITH 1" THICK FIBROUS GLASS INSULATION. COLD WATER PIPING SHALL BE INSULATED WITH 1/2" FIBROUS GLASS INSULATION. VAPOR BARRIER SHALL BE APPLIED TO EACH.



UP-FIT PLANS FOR:
T&L COATS
BUILDING #2
COATS, NORTH CAROLINA

| REVISIONS | |
|-----------|--|
| NO. | |
| | |



Cruse and Associates, P.A.
414 E. Washington St.
 Raleigh, NC 27601
 TEL: (919) 992-4429
 FAX: (919) 992-5108

THESE DOCUMENTS ARE INSTRUMENTS OF SERVICE AND AS SUCH THESE DRAWINGS, DESIGNS, AND DESIGN CONCEPTS PRESENTED REMAIN THE PROPERTY OF THE ENGINEER. PUBLISH OR DUPLICATE THE DRAWINGS OR DESIGNS ONLY WITH THE WRITTEN PERMISSION OF THE ENGINEER.
 © COPY RIGHT

DATE 12-19-22
 DRAWN BY BAM
 JOB NO. 22-60

SHEET NO.
P-3 OF 3

LICENSE NO.: C-1721