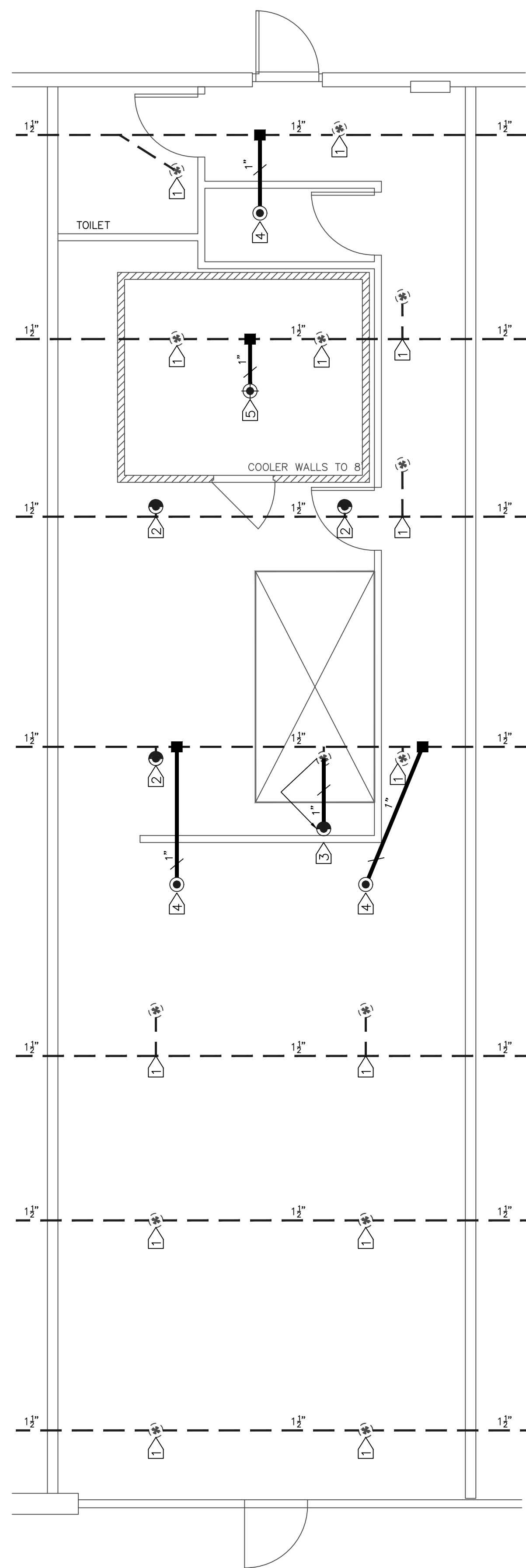
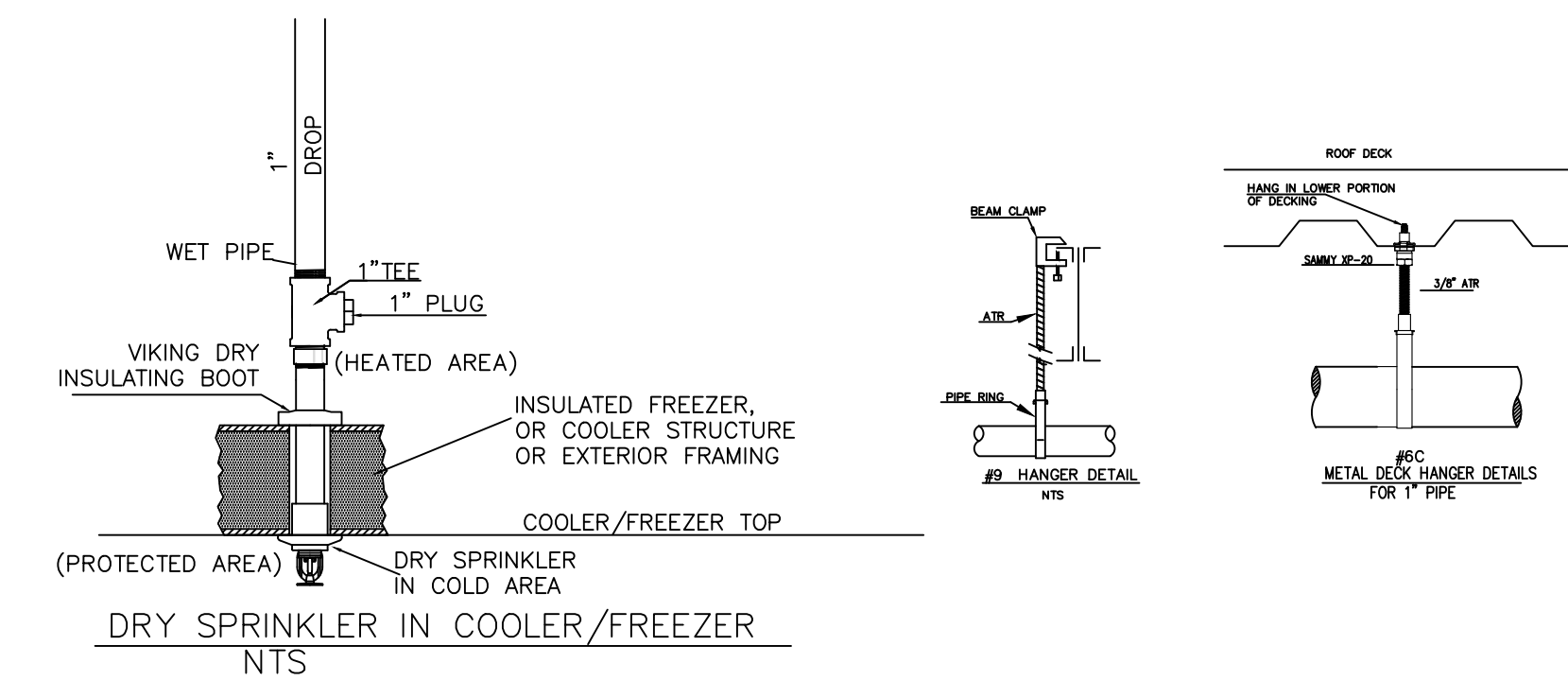
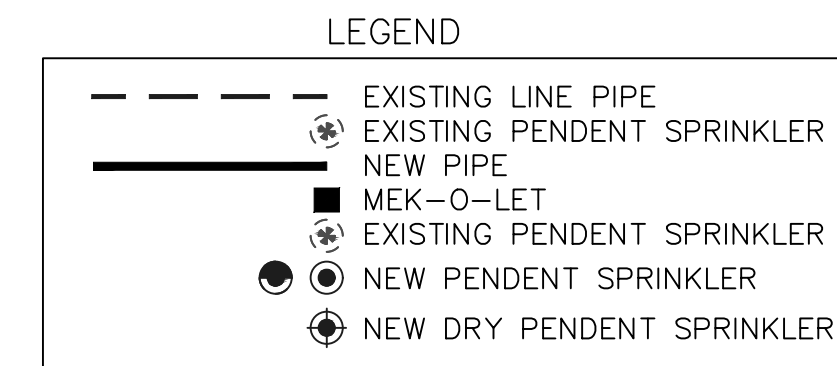


**CEILING PLAN**  
SCALE: 1/4"=1'-0"



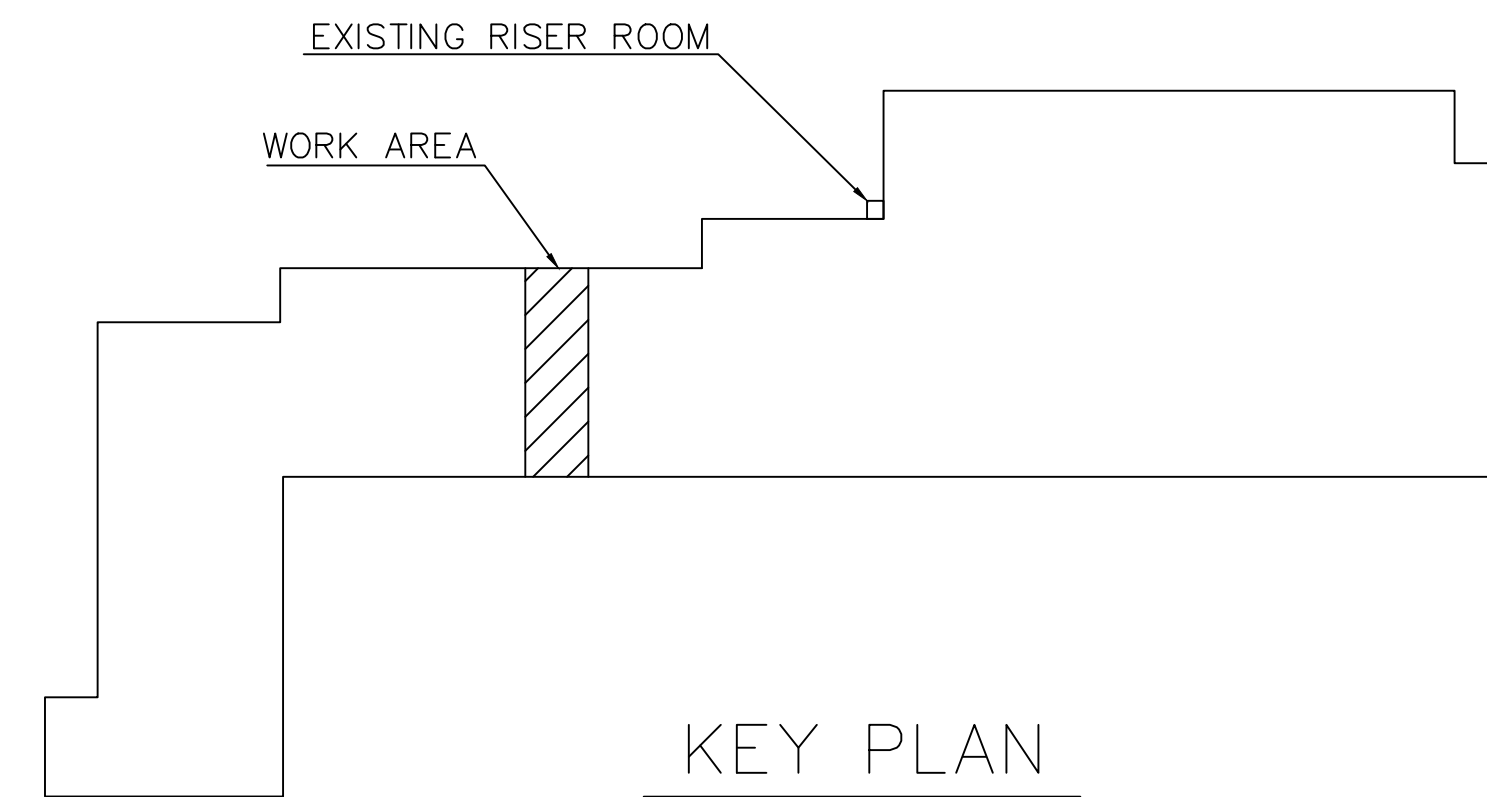
**PIPING PLAN**  
SCALE: 1/4"=1'-0"

- KEYED NOTES**
- EXISTING SPRINKLER TO REMAIN
  - EXISTING SPRINKLER TO REMAIN CHANGE OUT HEAD TO A 200° DEGREE SPRINKLER IN THE KITCHEN AROUND THE HOOD
  - RELOCATE EXISTING SPRINKLER CHANGE OUT HEAD TO A 200° DEGREE SPRINKLER IN THE KITCHEN AROUND THE HOOD
  - INSTALL 1 1/2"x1" MEK-O-LET, 1"x0-2 W/ELL, 1" BREAK OVER, 1" DROP AND NEW SPRINKLER HEAD
  - INSTALL 1 1/2"x1" MEK-O-LET, 1"x0-2 W/ELL, 1" BREAK OVER, 1" DRY PENDENT SPRINKLER IN COOLER



- NOTES**
- SEE KEYED NOTES FOR WORK TO BE DONE.
  - ALL WORK TO BE DONE IN ACCORDANCE WITH NFPA 13.
  - ALL BREAK OVERS IF NEEDED TO BE 1" SCHEDULE 40.
  - UNSUPPORTED BREAK OVERS NOT TO EXCEED 24"
  - ORIGINAL SYSTEM DESIGNED TO PROVIDE A DENSITY OF .20/1500 FOR MERCANTILE ORDINARY GROUP 2. NEW WORK IS CONSIDERED ORDINARY GROUP 1 (RESTAURANT) WHICH REQUIRES A DENSITY OF 0.15/1500. TENANT FIT UP IS NOT IN THE SYSTEM REMOTE AREA AND DOES NOT EXCEED ORIGINAL SYSTEM DESIGN.
  - SPRINKLER HEADS DO NOT HAVE TO BE CENTERED IN TILE

**Reviewed for Fire Code Compliance**  
**Leslie Jackson**  
**03/15/2023 11:03:54 AM**



**KEY PLAN**

NO.	DATE	REVISIONS - SEE FLAGGED AREA ON PLAN

SPRINKLER SYMBOL DESCRIPTION									
SYMBOL	SIZE	MODEL	MAKE	SIN	FINISH	STYLE	TEMP	K-FACTOR	TOTAL
●	1/2"	QR	VICTAULIC	V2708	CHROME	RECESSED PENDENT	155°	5.6	3
●	1/2"	QR	VICTAULIC	V2708	CHROME	RECESSED PENDENT	200°	5.6	4
●	1/2"	QR	VICTAULIC	V3606	CHROME	DRY PENDENT 2-PC DEEP ESCUTCHEON	200°	5.6	1
TOTAL SPRINKLERS SHOWN ON THIS SHEET									8
TOTAL SPRINKLERS REQUIRED ON THIS CONTRACT									8

**CAROLINA FIRE PROTECTION**

4055 HODGES CHAPEL ROAD  
Dunn, N.C. 28334  
Phone (910) 892-1700  
Fax (910) 892-7322

CONTRACT NAME: **BURNEY'S SWEETS**  
2668 NC 24 BRINKLEY COMMONS SUITE 2668  
CAMERON, NC

CONTRACT WITH: **TENANT FIT UP**

DESCRIPTION: **SYSTEM DESIGN DATA**

NO. DATE REVISIONS - SEE FLAGGED AREA ON PLAN

CHECKED BY: **J. DUNN**  
DATE: **3-1-23**  
SCALE: **AS SHOWN**  
CONTRACT NO.: **23B778**  
DRAWN BY: **M. FORD**  
DRAWING NO.: **FP 1 of 1**

**IMPORTANT**

In locations that are subject to freezing conditions, it is the owner's responsibility to provide heat throughout areas protected by wet pipe sprinkler systems and in enclosures for dry pipe, deluge or other types of valves controlling water supplies to sprinkler systems.

This drawing including all information and design concept herein contained is the property of Carolina Fire Protection Company, Inc. and is loaned upon express conditions that the same be returned to CFP, Inc. upon request; all information contained herein shall be treated as secret, and confidential; no reproduction of this drawing or any part thereof shall be made without written consent of CFP, Inc.

CONTRACT RESPONSIBILITIES	
ITEM	C.F.P. / OTHERS
STREET WATER CONNECTION	OTHERS
UNDERGROUND WATER MAINS	OTHERS
EXCAVATIONS	OTHERS
BACKFILL	OTHERS
WIRING	OTHERS
PAINTING	OTHERS

SYMBOLS	
⊕	CEILING HT. ABOVE REF.
⊕ 1.5	C/L OF PIPE BELOW BOB
⊕ 12-4	C/L OF PIPE ABOVE REF.
⊕	HYDRAULIC REF. POINT
—	LINE DESIGNATION
A1	MAIN DESIGNATION
—	DRY PIPE VALVE
—	WATER CHECK VALVE
—	UNION
—	GROOVED COUPLING (GC)
—	GROOVED CAP
—	GROOVED CAP
—	SCREWED PLUG
—	SLUISE VALVE
—	FLANGED CONNECTION

ABBREVIATIONS	
BOB	Bottom of Beam
BOB	Bottom of Deck
BOB	Bottom of Pipe
FSP	Fire Dept. Conn. (Standard)
DO	Ditto
N & C	Nipples and Cap
HV	Hose Valve
N & C	Nipples and Cap
NTS	Not to Scale
NIC	Not in Contract
NTS	Not to Scale
OBV	Open Bar Joint
OBV	Open Bar Joint
FRV	Pressure Red. Valve
RM	Roof Manifold
SP	Standpipe
TOP	Top of Beam
TOP	Top of Pipe
TOP	Top of Steel
UND	Unless Noted Otherwise

SYSTEM TYPE	
WET- <input checked="" type="checkbox"/>	DELUGE- <input type="checkbox"/>
DRY- <input type="checkbox"/>	PREACTION- <input type="checkbox"/>

**APPROVALS**

ISO OUT IN

IRI OUT IN

FM OUT IN

OUT IN

