

- NOTES:
- INTERIOR DIMENSIONS SHOWN ARE STUD TO STUD UNLESS OTHERWISE NOTED.
 - EXCEPT WHERE NOTED OTHERWISE, INTERIOR WALLS ARE 20 GA 3-5/8" X 10' METAL STUDS AT 16" O.C. WITH 5/8" SHEETROCK EACH SIDE.
 - DEPICTS DOOR NUMBER (100)
 - PAINT BATHROOM WALLS TO 48" ABOVE FF WITH EPOXY PAINT OR PROVIDE WASHABLE WALL COVERINGS.

KITCHEN EQUIPMENT SCHEDULE

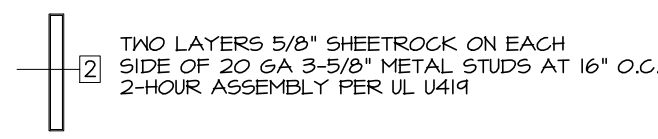
NO.	DESCRIPTION	MODEL	MANUFACTURER	BTU LOAD
1	TABLE, 5.5, 60" x 30"	600130R05	REGENCY	
2	ICE CUBE MACHINE, 30" x 34"	I-606	MAINTONOC	
3	BEER REFRIGERATOR W/GLASS DOORS	NLR6M485B	NORLAKE	
4	TANKLESS WATER HEATERS	CUH12N	RINNAI	
5	HAND SINK, 5.5, W/ SPLASH GUARDS (3)	600H175P	REGENCY	
6	SHELVING, WIRE 48" X 18" (10)	460E1848	REGENCY	
7	REFRIGERATOR, SANDWICH PREP 12"	NLSMPT2-30A	NORLAKE	
8	STEAM TABLE, METABATH W/ UNDERSHLF 14"	AM15-LP-IX	EAGLE GROUP	30,000
9	TABLE, 5.5, 30"x36"	60030246	REGENCY	
10	FRYER, FULL BASKET 14", GAS	35C-5	PITCO	90,000
11	GRIDDLE, COUNTER UNIT 48", GAS	648MF	STAR-MAX	113,000
12	HOOD, EXHAUST 16' X 4'	BD-2	CAPITVEAIRE	
13	RANGE, STANDARD STD OVEN 36", GAS	6TB624-AB24	GARLAND	60,000
14	CONVECTION RANGE, STD OVEN 36", GAS	636-6R-C	GARLAND	236,000
15	TABLE, PREP 5.5, W/ SINK 48"	600513048LFT (R1)	REGENCY	
16	CHAR BROILER 24", GAS	6TB624	GARLAND	12,000
17	FRYER, FULL BASKET 18", GAS	65C-5	PITCO	150,000
18	CABINET, HEATED HOLDING/PROOFING 20"3"	IT1H1836	AVANTGO	
19	REFRIGERATOR, CHEF BASE 12"	NLR6T2	NORLAKE	
20	FREEZER, WALK-IN 8 X 6	COMBINATION BOX	KOLPAK	
21	COOLER, WALK-IN 8 X 14	T-4" X 14'-4"		
22	SHELVING, WIRE 18" X 12"		REGENCY	
23	SHELVING, WIRE 18" X 48"		REGENCY	
24	SHELVING, WIRE 30" X 60"		REGENCY	
25	30"x60" CLEAN TABLE	BPCDT-60R-16/3	EAGLE GROUP	
26	DISHMACHINE, SOILED STRAIGHT 48"	BPSDT-48L-16/3	EAGLE GROUP	
27	CUP STORAGE CART 36" X 36"			
28	DISHMACHINE, LOW ENERGY HOOD TYPE	A4 WATER SAVER	AUTO-CLOR	
29	MICROWAVE OVEN	180M100055	SOLWAVE	
30	MICROWAVE SHELF 24"	MMMS-18-24	REGENCY	
31	SINK, 3-COMPARTMENT 103"	516-20-3-18	EAGLE GROUP	
32	CABINET 11" X 84"			
33	FLY-FAN			
34	SINGLE-DOOR REACH-IN REFRIGERATOR	NLF23-5	NORLAKE	
35	RANGE, CONVECTION OVEN 36", GAS	536A	SOUTHBEND	
36	ICE BIN, BASE 36"	B-510	MAINTONOC	
37	SODA FOUNTAIN DISPENSER, COUNTERTOP	DI-2323 (6 VALVE)	PEPSI COLA	
38	SPLASH GUARD, 5.5, 24"x14" BOLTED	T-PS-13D	ADVANCE TABCO	
39	MOP SINK			
40	CHIP WARMER, HEATED HOLDING	VCD26	VULCAN	
41	REFRIGERATOR, REACH-IN 56L 215"	NLR23-5	NORLAKE	
42	WORK TABLE 30"x60"	600130T26	REGENCY	
43	REFRIGERATOR, REACH-IN DEL 55"	NLR41-5	NORLAKE	
44	30"x30" TABLE, CHIP STORAGE AREA			
45	CART, CAN STORAGE	CSR-4	CHANNEL MFG	
46	TRASH CAN LARGE			
47	TABLE, 5.5, 30"x60"			
48	FROSTER	6F-25-HC	AVANTGO	
49	ICE BIN	30"x30"	BY PEPSI	
50	COCKTAIL STATION	CCS-60-2	EAGLE GROUP	
51	BEER COOLER	NLDD61	NORLAKE	
52	REFRIGERATED CABINET	TTB-46-HC-LD-BLK	TRUE	
53	TABLE, 5.5, 30"x46"			

LIFE SAFETY PLAN
3/16" = 1' - 0"

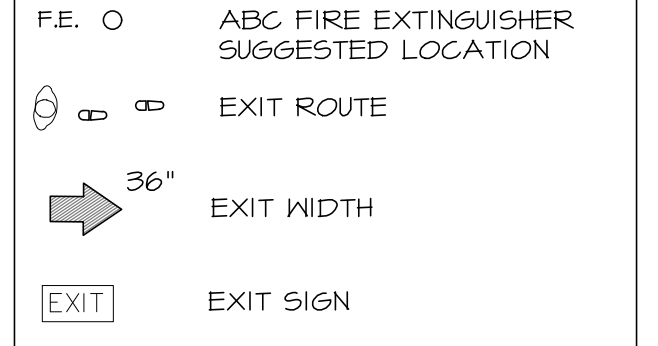
OCCUPANCY AND PLUMBING FIXTURE INFORMATION

GROSS INTERIOR SQUARE FOOTAGE = 2580 SF
 TYPE OF CONSTRUCTION: II-B
 ASSEMBLY A-2 OCCUPANCY
 SPACE OCCUPANCY (INSIDE THE BUILDING) BY NET SF USING TABLE 1004.1.1
 SEE AREAS SUMMARY DIAGRAM THIS SHEET
 ASSEMBLY (A-2): TABLES/CHAIRS AND BOOTHS = 148 PERSONS
 ASSEMBLY: WAITING = 6 PERSONS
 CHECKOUT = 54 SF = 3 PERSONS
 KITCHEN = 1103 SF/200 SF PER PERSON = 6 PERSONS
 WAITRESS STATION = 60 SF = 5 PERSONS
 BAR = 225 SF = 1 STAFF + 8 SEATS = 9 PERSONS
 TOTAL BUILDING OCCUPANCY = 148 + 6 + 3 + 6 + 5 + 4 + 1 = 171 PERSONS
 = 88 MALES, 84 FEMALES
 MALE TOILETS REQUIRED = 1 PER 75 = 2 TOTAL (1 MALE, ONE URINAL PROVIDED)
 MALE LAVATORIES REQUIRED = 1 PER 200 = 1 TOTAL (1 PROVIDED)
 FEMALE TOILETS REQUIRED = 1 PER 75 = 2 TOTAL (2 PROVIDED)
 FEMALE LAVATORIES REQUIRED = 1 PER 200 = 1 TOTAL (1 PROVIDED)
 MAXIMUM TRAVEL DISTANCE: 66 FEET
 MAXIMUM ALLOWABLE TRAVEL DISTANCE: 200 FEET (PER 1017.2)
 THE COMMON PATH OF TRAVEL IS LESS THAN 30 FEET. (PER 1024.8)
 THERE ARE NO DEAD END CORRIDORS OVER 20 FEET. (PER 1020.4)
 MIN. NO. OF EXITS REQ'D: TWO (PER SECTION 1006.2.1)
 NUMBER OF EXITS PROVIDED: TWO
 MAXIMUM DIAGONAL LENGTH = 78'-10"
 ONE FRONT DOOR AND REAR EGRESS DOOR ARE REQUIRED TO HAVE PANIC HARDWARE. (PER 1010.10)
 DOORS DO NOT HAVE DELAYED EGRESS LOCKS (PER 1008.1.1, 1.2)
 DOORS DO NOT HAVE ELECTROMAGNETIC EGRESS LOCKS (PER 1010.1.1, 1.3)
 DOORS DO NOT HAVE HOLD OPEN DEVICES.
 THERE ARE NO EMERGENCY ESCAPE WINDOWS (PER 1030)
 THERE ARE NO SLEEPING AREAS (SMOKE COMPARTMENTS)
 EGRESS ILLUMINATION PROVIDED AT EACH EXIT (PER 1008)
 THIS SPACE IS NOT PROTECTED BY FIRE SPRINKLERS.
 NO. OF FIRE EXTINGUISHERS PROVIDED: 2 TOTAL
 PROVIDE FIRE EXTINGUISHERS UNDER THE FOLLOWING CONDITIONS:
 1. WITHIN 30' OF COMMERCIAL COOKING EQUIPMENT
 2. IN AREAS WHERE FLAMMABLE OR COMBUSTIBLE LIQUIDS ARE STORED, USED OR DISPENSED.
 3. WHERE REQUIRED BY SECTIONS IN TABLE 906.1, N.C. BUILDING CODE
 4. SPECIAL HAZARD AREAS WHERE REQUIRED BY FIRE CODE OFFICIAL

WALL TYPES

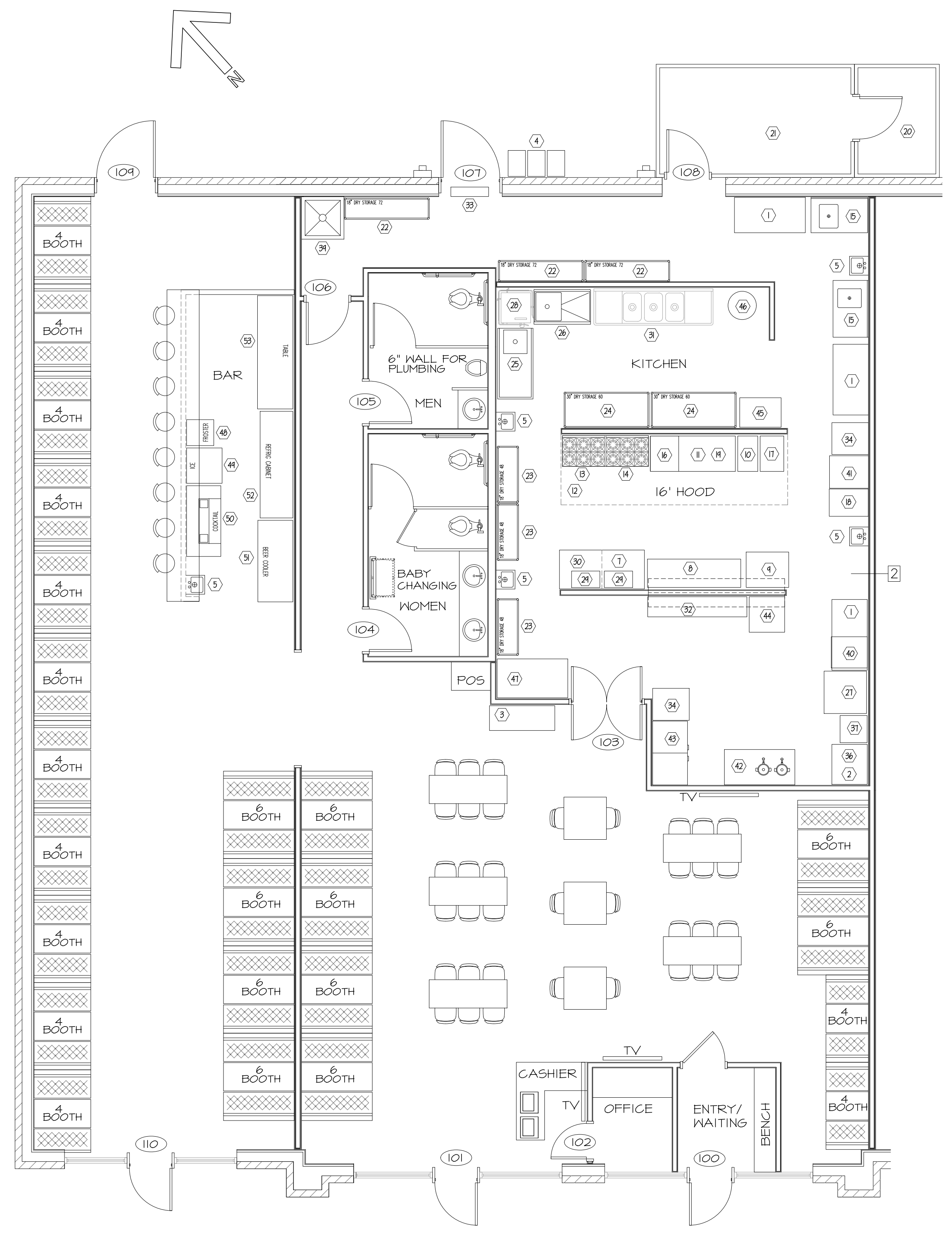


LEGEND



DOOR SCHEDULE

DOOR NUMBER	DOOR SIZE	ROUGH OPENING	DOOR TYPE	JAMB TYPE	LOCK SET	REMARKS
100	-	-	RH	STOREFRONT	KEYED	EXISTING DOOR TO REMAIN
101	-	-	LH	STOREFRONT	PANIC HARDWARE	EX. DOOR, NEW PANIC HARDWARE
102	21/6X10	32"x36"	LH	H. METAL	KEYED	
103	31/0X10	BY MFTR	-	-	NONE	DOUBLE ACTION DOOR
104	31/0X10	38"x36"	RH	H. METAL	PRIVACY	
105	41/0X10	38"x36"	RH	H. METAL	PRIVACY	
106	31/0X10	38"x36"	-	H. METAL	PASSAGE	
107	31/0X10	38"x36"	LH	H. METAL	PANIC HARDWARE	EX. DOOR, NEW PANIC HARDWARE
108	BY MFTR	BY MFTR	LH	BY MFTR	-	BY FREEZER/COOLER VENDOR
104	-	-	RH	H. METAL	KEYED	EXISTING DOOR TO REMAIN
110	-	-	LH	STOREFRONT	KEYED	EXISTING DOOR TO REMAIN



FLOOR PLAN
3/16" = 1' - 0"

REVISIONS

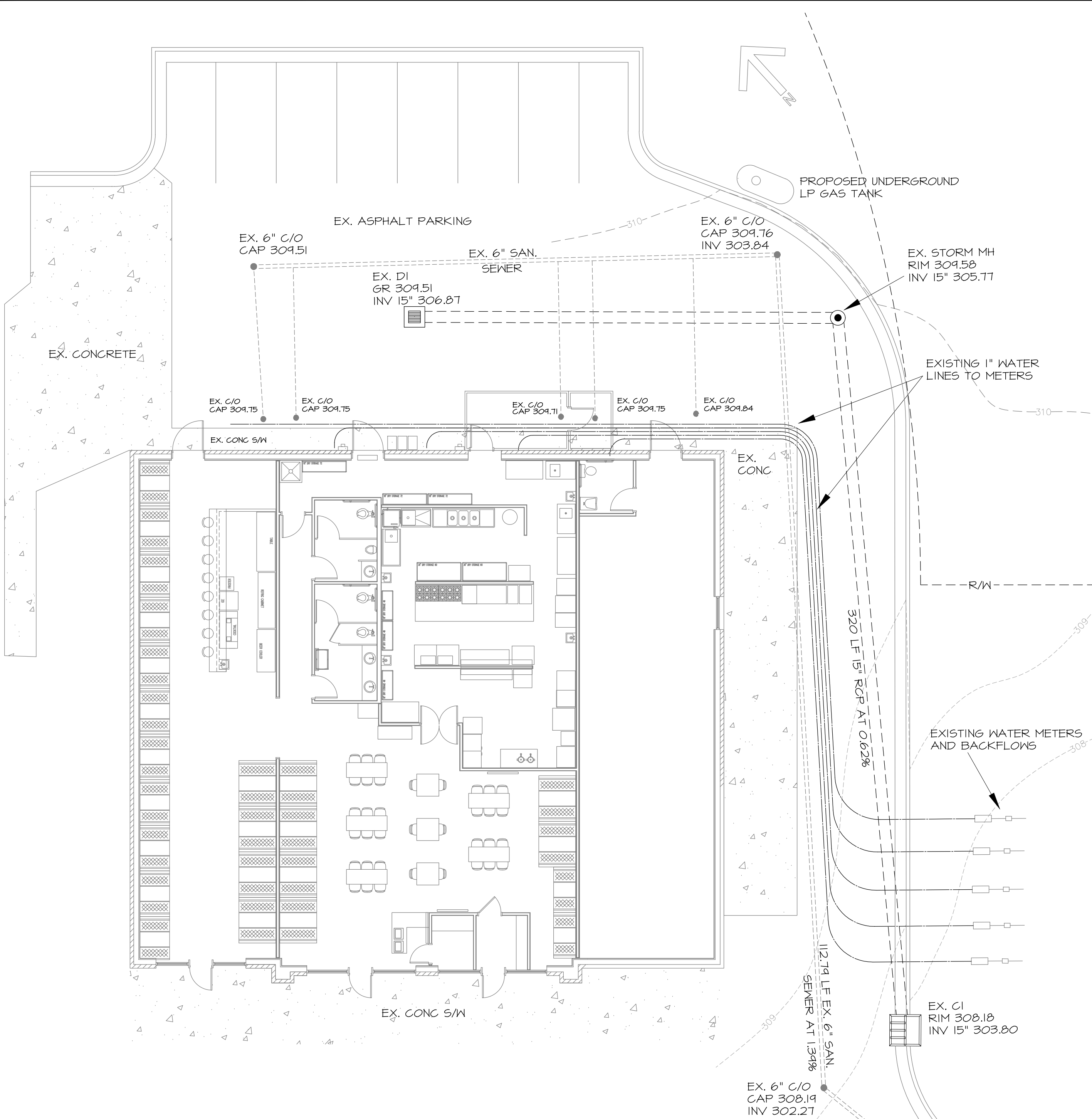
11-23-22	DR. 10B, GR. COUNTER
5-01-24	ADD SUITE 6155

GEORGE M. ROSE, P.E.
 P.O. BOX 53441
 FAYETTEVILLE, NC 28305
 910-977-5822 FAX 910-485-5823 EMAIL george@mrmpe.com

EL BURRITO MEXICAN RESTAURANT
 6743-6755 OVERHILLS ROAD
 SPRING LAKE, NC
FLOOR PLAN AND EQUIPMENT SCHEDULE

DATE: MAY 2024
 DRAWN BY: GMR
 CHECKED: GMR
 SCALE: NOTED
 SHEET NO. **G1**



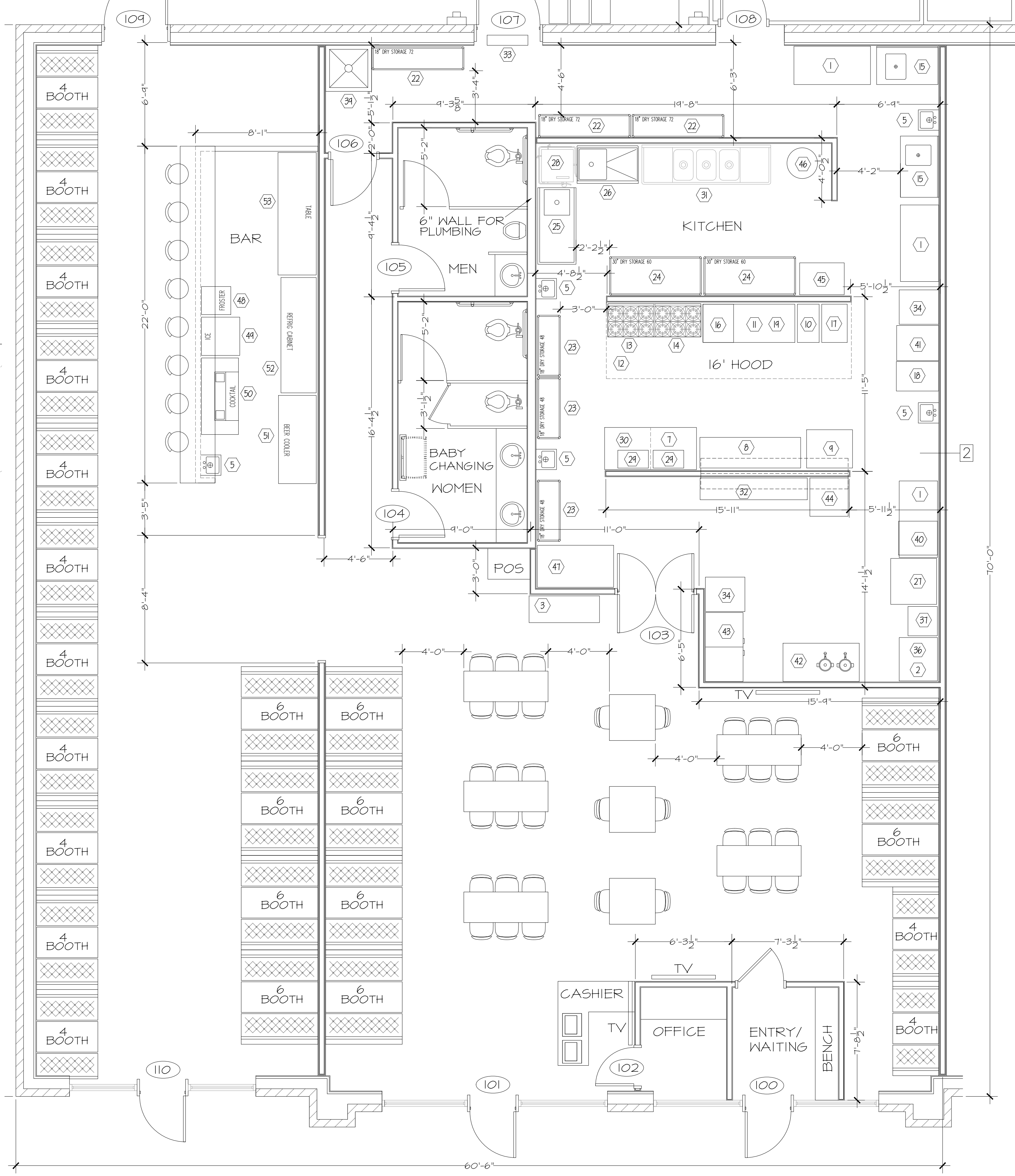


2 PARTIAL SITE PLAN (EXISTING CONDITIONS)
SCALE 1" = 10'

KITCHEN EQUIPMENT SCHEDULE							
NO.	DESCRIPTION	MODEL	MANUFACTURER	NO.	DESCRIPTION	MODEL	MANUFACTURER
1	TABLE, S.S. 60" X 30"	600T30606	REGENCY	28	DISHMACHINE, LOW ENERGY HOOD TYPE	A4 WATER SAVER	AUTO-CHLOR
2	ICE CUBE MACHINE, 30" X 34"	I-606	MANITOCQ	24	MICROWAVE OVEN	180MN00056	SOLNVAVE
3	BEER REFRIGERATOR W/GLASS DOORS	NLR2M485B	NORLAKE	30	MICROWAVE SHELF 24"	MM5-18-24	REGENCY
4	TANKLESS WATER HEATERS	CUMPHN		31	SINK, 3-COMPARTMENT 103"	516-20-3-10	EAGLE GROUP
5	HAND SINK, S.S. W/ SPLASH GUARDS (3)	60CH515P	REGENCY	32	CABINET 17" X 84"		
6	SHELVING, WIRE 48" X 18" (10)	460E61840	REGENCY	33	FLY-FAN		
7	REFRIGERATOR, SANDWICH PREP T2"	NLR9MT2-30A	NORLAKE	34	SINGLE-DOOR REACH-IN REFRIGERATOR	NLF23-5	NORLAKE
8	STEAM TABLE, MET/BATH W/ UNDERSHELF T4"	AW15-LP-1X	EAGLE GROUP	35	RANGE, CONVECTION OVEN 36", GAS	536A	SOUTHBEND
9	TABLE, S.S. 30" X 36"	60030246	REGENCY	36	ICE BIN, BASE 36"	B-510	MANITOCQ
10	FRYER, FULL BASKET 14", GAS	35G-5	FITCO	37	SODA FOUNTAIN DISPENSER, COUNTERTOP	DI-2323 (6 VALVE)	PEPSI COLA
11	GRIDDLE, COUNTERTOP UNIT 48", GAS	648MF	STAR-MAX	38	SPLASH GUARD, S.S. 24"x14" BOLTED	T-PS-130	ADVANCE TABCO
12	HOOD, EXHAUST 16" X 4'	BD-2	CAPTIVEAIRE	34	MOP SINK		
13	RANGE, STANDARD STD OVEN 36", GAS	6TB624-AB24	GARLAND	40	CHIP WARMER, HEATED HOLDING	VCD26	VULCAN
14	CONVECTION RANGE, STD OVEN 36", GAS	636-6R-C	GARLAND	41	REFRIGERATOR, REACH-IN 56L 215"	NLR23-5	NORLAKE
15	TABLE, PREP S.S. W/ SINK 48"	600ST3048LFT (RT)	REGENCY	42	WORK TABLE 30"x60"	600T30T26	REGENCY
16	CHAR BROILER 24", GAS	6TB624	GARLAND	43	REFRIGERATOR, REACH-IN DBL 55"	NLR41-5	NORLAKE
17	FRYER, FULL BASKET 18", GAS	65G-5	FITCO	44	30"x30" TABLE, CHIP STORAGE AREA		
18	CABINET, HEATED HOLDING/PROOFING 20.3"	ITTH1836	AVANTCO	45	CART, CAN STORAGE	CSR-1	CHANNEL MERG
19	REFRIGERATOR, CHEF BASE T2"	NLGBT2	NORLAKE	46	TRASH CAN, LARGE		
20	FREEZER, WALK-IN 8 X 6	COMBINATION BOX	KOLPAK	47	30"x60" CLEAN TABLE		
21	COOLER, WALK-IN 8 X 14			48	FROSTER	GF-25-HG	AVANTGO
22	SHELVING, WIRE 18" X 12"		REGENCY	44	ICE BIN	30"x30"	BY PEPSI
23	SHELVING, WIRE 18" X 48"		REGENCY	50	COCKTAIL STATION	CCS-60-2	EAGLE GROUP
24	SHELVING, WIRE 30" X 60"		REGENCY	51	BEER COOLER	NLDD41	NORLAKE
25	30"x60" CLEAN TABLE	BP5CDT-60R-16/3	EAGLE GROUP	52	REFRIGERATED CABINET	TTB-46-HC-LD-BLK	TRUE
26	DISH TABLE, SOILED STRAIGHT 48"	BP5DT-48L-16/3	EAGLE GROUP	53	TABLE, S.S. 30"x186"		
27	CHIP STORAGE CART 36" X 36"						



- NOTES:
- INTERIOR DIMENSIONS SHOWN ARE STUD TO STUD UNLESS OTHERWISE NOTED.
 - EXCEPT WHERE NOTED OTHERWISE, INTERIOR WALLS ARE 20 GA 3-5/8" X 10' METAL STUDS AT 16" O.C. WITH 5/8" SHEETROCK EACH SIDE.
 - DEPICTS DOOR NUMBER 100
 - PAINT BATHROOM WALLS TO 48" ABOVE FF WITH EPOXY PAINT OR PROVIDE WASHABLE WALL COVERINGS.



1 DIMENSIONED FLOOR PLAN
1/4" = 1' - 0"

REVISIONS

11-21-22	DR. 10B, CR. COUNTER
5-21-24	ADD SUITE 6155

GEORGE M. ROSE, P.E.
P.O. BOX 53441
FAYETTEVILLE, NC 28305
910-977-5822 FAX 910-485-5823 EMAIL george@mrmpe.com

EL BURRITO MEXICAN RESTAURANT
6743-6755 OVERHILLS ROAD
SPRING LAKE, NC
DIMENSIONED FLOOR PLAN

DATE: MAY 2024
DRAWN BY: GMR
CHECKED: GMR
SCALE: NOTED

SHEET NO.
G2

PLUMBING NOTES:
PLUMBING WORK SHALL BE IN ACCORDANCE WITH THE NORTH CAROLINA PLUMBING CODE 2018 EDITION AND LOCAL CODES.

ALL WORK SHALL BE COORDINATED AND PERFORMED WITH PRIOR APPROVAL FROM THE GENERAL CONTRACTOR AND OWNER TO SUIT THE OWNER'S OPERATING CONDITIONS.

PLUMBING CONTRACTOR SHALL FIELD VERIFY ALL EXISTING CONDITIONS AND NOTIFY THE GENERAL CONTRACTOR OF ANY DEVIANCES FROM THE CONTRACT DRAWINGS PRIOR TO STARTING ANY WORK.

THE PLUMBING CONTRACTOR SHALL COORDINATE WITH OTHER TRADES INVOLVED IN THIS PROJECT PRIOR TO INSTALLATION OF HIS EQUIPMENT, SO AS TO AVOID CONFLICTS DURING CONSTRUCTION AND ALLOW FOR OPTIMUM WORKING SPACE AND MAINTENANCE. THINK OF OTHER CONTRACTORS AND THEIR REQUIREMENTS IN VERTICAL CHASES AND WALL MOUNT SPACE. ALL CONTRACTORS TO FOLLOW THIS ORDER OF PRIORITY:
1. STORM AND SANITARY SEWER LINES
2. DUCTWORK AND HVAC SYSTEMS
3. HOT AND COLD WATER LINES
4. RIGID CONDUIT
5. CABLE

THE PLUMBING CONTRACTOR TO ORGANIZE HIS PIPING IN ATTIC SPACES, CRAWL SPACES, AND ABOVE-CEILING MAKE-RUNS PARALLEL, PERPENDICULAR, AND GROUPED TOGETHER WHERE POSSIBLE. LOCATE MAJOR GROUPINGS OVER HALLWAYS AND AREAS OF PUBLIC ACCESS IF POSSIBLE. FREE RUNS OF PIPING IS NOT ACCEPTABLE.

THE PLUMBING CONTRACTOR SHALL LAY OUT AND INSTALL HIS WORK IN ADVANCE OF POURING CONCRETE FLOORS OR WALLS. HE SHALL FURNISH ALL SLEEVES TO THE GENERAL CONTRACTOR FOR OPENINGS THROUGH POURED MASONRY FLOORS, OR WALLS, ABOVE GRADE REQUIRED FOR PASSAGE OF ALL PIPES TO SUPPORT HIS EQUIPMENT.

HORIZONTAL DRAINAGE AND WASTE PIPE SHALL HAVE A MINIMUM SLOPE OR FALL OF 1/8" PER FOOT. ALL CHANGE OF HORIZONTAL DIRECTIONS IN SOIL WASTE PIPE SHALL BE MADE WITH LONG RADIUS FITTINGS WITH "Y" BRANCHES AND 1/8" OR 1/16" BENDS. CHROME PLATED ESCUTCHEONS SHALL BE PROVIDED AT EACH WALL PENETRATION.

ESCUTCHEONS SHALL BE CHROME PLATED, SPRING TYPE, ON ALL PIPES PASSING THROUGH WALLS AND CEILING IN FINISHED AREAS. FLOOR ESCUTCHEONS SHALL BE CAST BRASS, CHROME PLATED, WITH SET SCREW.

FLASHING FOR VENTS THROUGH THE ROOF SHALL BE TWO-PIECE TYPE, 16 OUNCE COPPER COUNTER FLASHING AND BASE FLASHING, OR A TWO-PIECE TYPE, 4 POUND LEAD COUNTER FLASHING AND BASE FLASHING. THE BASE FLASHING SHALL BE INSTALLED BY THE GENERAL CONTRACTOR WITH THE ROOF SYSTEM.

VENT FLASHING SHALL EXTEND DOWN AT LEAST 4 INCHES FROM THE TOP OF THE PIPE. FLASHING SHALL EXTEND AT LEAST 12 INCHES IN ALL DIRECTIONS FROM THE PIPE AND SHALL BE PARALLEL TO THE ROOF LINE.

ALL EQUIPMENT AND INSTALLED MATERIALS SHALL BE THOROUGHLY CLEAN AND FREE OF ALL DIRT, OIL, GRIT, GREASE, AND ETC.

ALL PLUMBING SYSTEMS AND EQUIPMENT SHALL BE GUARANTEED FOR A PERIOD OF ONE YEAR AFTER FINAL ACCEPTANCE OF THE BUILDING FROM THE OWNER.

COLD AND HOT WATER PIPING ABOVE GRADE SHALL BE POLYETHYLENE TUBING CONFORMING TO ASTM D3035 WITH APPROVED FITTINGS (NIBS, STRAINERS, ETC.).

ALL HOT WATER PIPING SHALL BE INSULATED WITH 1" THICK SECTIONAL INSULATION OR FIBROUS GLASS MATERIALS WITH FACTORY APPLIED COVER. COVER SHALL BE EMBOSSED VAPOR BARRIER, LAMINATED WITH PRESSURE SEALING CAP ADHESIVE.

ALL COLD WATER PIPING SHALL BE INSULATED WITH 1/2" THICK SECTIONAL INSULATION OR FIBROUS GLASS MATERIALS WITH FACTORY APPLIED COVER. COVER SHALL BE EMBOSSED VAPOR BARRIER, LAMINATED WITH PRESSURE SEALING CAP ADHESIVE.

SANITARY HORIZONTAL WASTE, VENT PIPING, AND FITTINGS ABOVE GRADE SHALL BE SCHEDULE 40 PVC-DWV PIPE-CELLULAR CORE FROM CHARLOTTE PIPE AND FOUNDRY COMPANY OR APPROVED EQUAL, AND MUST MEET OR EXCEED THE REQUIREMENTS OF ASTM F-841, NSF STANDARD NO. 14, AND VAWO-UPC.

ALL WASTE STACK PIPING SHALL BE CAST IRON AND INSULATED FOR SOUND IN WALLS.

ALL WASTE AND STORM PIPING ABOVE CEILING, VERTICAL CHASES, WALLS SHALL BE INSULATED WITH 1/2" THICK SECTIONAL INSULATION OR FIBROUS GLASS MATERIALS WITH FACTORY APPLIED COVER. COVER SHALL BE EMBOSSED VAPOR BARRIER, LAMINATED WITH PRESSURE SEALING CAP ADHESIVE. NO INSULATION REQUIRED IN CRAWL SPACE OR BELOW FLOOR SLAB OF ANY WASTE AND STORM PIPING.

IN LIEU OF FIBERGLASS INSULATION THE PLUMBING CONTRACTOR IS ALLOWED TO USE CLOSED CELL INSULATION 1/2" THICK ARMSTRONGS/ARMAFLEX II ON ALL COLD WATER PIPES, RIGID URETHANE FOAM INSULATION 1" THICK ARMSTRONGS/ARMAFLEX II ON ALL HOT WATER PIPING.

ALL PLUMBING EQUIPMENT SHALL BE INSTALLED PER MANUFACTURER'S RECOMMENDATIONS.

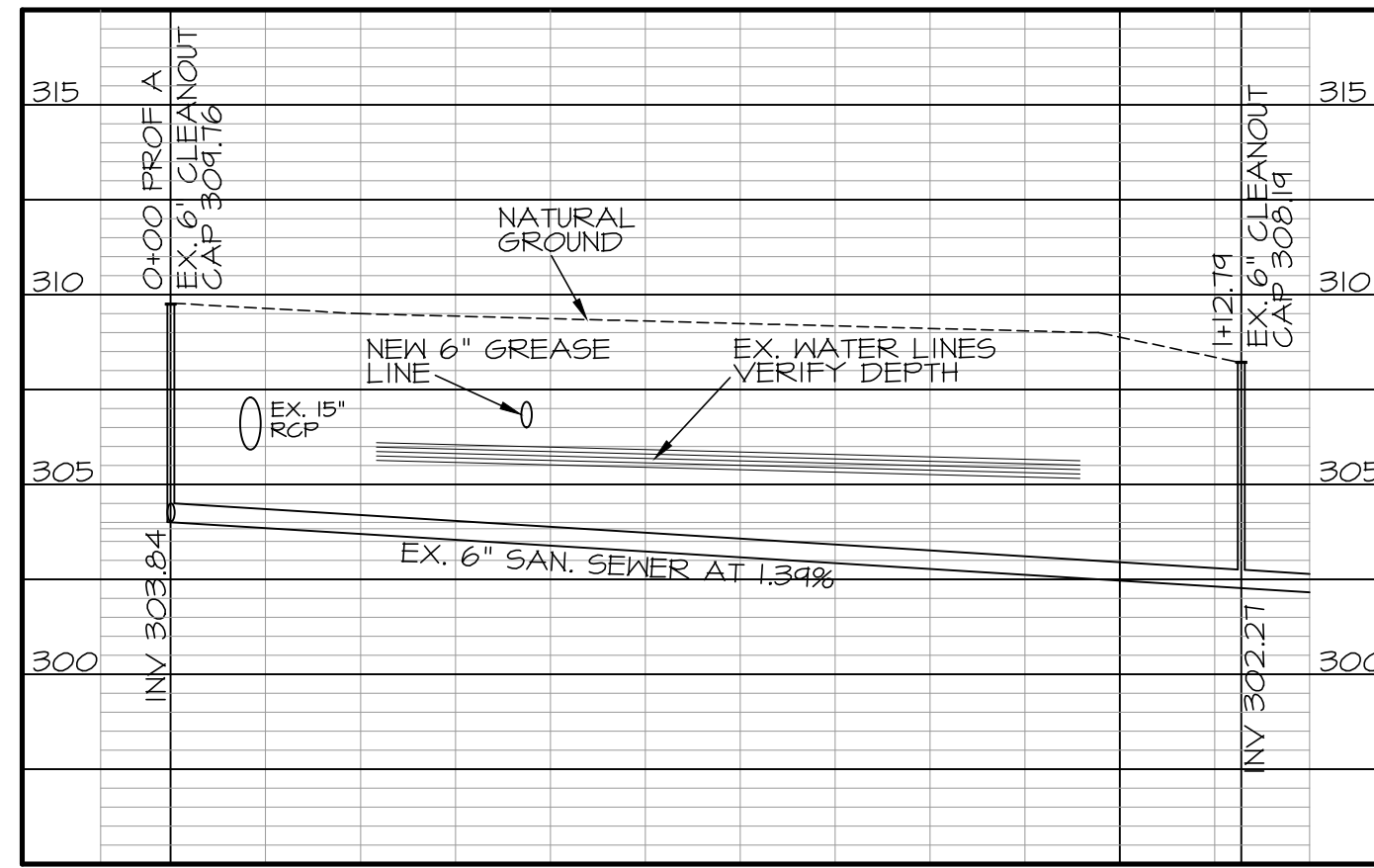
ALL FIXTURES, DRAINS, TRAPS, ETC. SHALL BE SET PLUMB AND LEVEL.

ALL HANDICAPPED FIXTURES AND TRIM SHALL BE INSTALLED IN ACCORDANCE WITH THE NORTH CAROLINA PLUMBING CODE 2018 EDITION.

PROFILE A

SCALE 1" = 5' VERT

SCALE 1" = 20' HORIZ



PLUMBING FIXTURE SCHEDULE

SYMBOL	DESCRIPTION	MANUFTR	MODEL #	ACCESSORIES	SUPPLY	WASTE	VENT	REMARKS
GV	GATE VALVE							
CP	COLD WATER PIPE							
HP	HOT WATER PIPE							
TR	TRAP							
VR	VENT THROUGH ROOF							
SV	STUDOR VENT							
VP	VENT PIPE							
NS	PROPOSED NEW SANITARY SEWER							
ES	EXISTING SANITARY SEWER PIPE							
NG	PROPOSED NEW GREASE WASTE							
P1	TOILET WITH TANK (ADA)	EXISTING			3/4" C.P.	3"	2"	SEE PLAN FOR LOCATION
P2	WALL HUNG LAVATORY	EXISTING			3/4" C.P.	3"	2"	SEE PLAN FOR LOCATION
P3	URINAL	MANFIELD	475	SLOANE 106XL FLUSH VALVE	1/2" C.P.	3"	2"	SEE PLAN FOR LOCATION
P4 (S)	HAND WASH SINK	EAGLE	HSA-10-1-RS		1/2" H.P. C.P.	2"	1-1/2"	SEE PLAN FOR LOCATION
P5 (26)	SOILED DISHTABLE WITH SINK	EAGLE	BP5DT-48L-16/3		1/2" H.P. C.P.	2"	1-1/2"	SEE PLAN FOR LOCATION
P6 (3)	THREE COMPARTMENT SINK	EAGLE GROUP	516-20-3-10		1/2" H.P. C.P.	3"	1-1/2"	SEE PLAN FOR LOCATION
PT (34)	CAN WASH/POP SINK	SHAN	55-3636	MS-5811 FAUCET, MS-2431 HANDBL	1/2" H.P. C.P.	3"	2"	SEE PLAN FOR LOCATION
P8	TANKLESS HOT WATER HEATERS	RENNAI	CUHREN		1" C.P.	-	-	SEE PLAN FOR LOCATION
PI (37)	FOUNTAIN BEVERAGE DISPENSER	PEPSI COLA	DI-2323 (6 VALVE)		1/2" C.P.	2"	1-1/2"	HUB DRAIN
PI0	FLOOR SINK	JONES STEPHENS	544-014		-	2"	1-1/2"	SEE PLAN FOR LOCATION
PI1	FLOOR DRAIN	SIOUX CHIEF	832	RD NICKEL-BRONZE RING/STRAINER	-	3"	-	SEE PLAN FOR LOCATION
PI2	GREASE TRAP - 1500 GALLON				-	4"	-	SEE PLAN FOR LOCATION
PI3 (28)	DISHWASHER	AUTO-GLOR	A4 WATER SAVER		1/2" H.P. C.P.	2"	1-1/2"	SEE PLAN FOR LOCATION
PI4	ICE MAKER WITH BIN	HOSHIZAKI	IKH-3201AH		1/2" H.P. C.P.	2"	1-1/2"	HUB DRAIN
PI5	ICE BIN	BY OWNER			1/2" C.P.	2"	-	HUB DRAIN
PI6 (15)	PREP TABLE WITH SINK	REGENCY	6005T3048LFT		1/2" H.P. C.P.	2"	1-1/2"	SEE PLAN FOR LOCATION
PI7 (25)	CLEAN DISHTABLE WITH SINK	EAGLE	BP5DT-60R-16/3		1/2" H.P. C.P.	2"	1-1/2"	SEE PLAN FOR LOCATION
PI8 (50)	SINK IN COCKTAIL STATION	EAGLE	CCS-60-2		1/2" H.P. C.P.	2"	1-1/2"	SEE PLAN FOR LOCATION

PLUMBING PLAN
3/16" = 1' - 0"



REVISIONS

11-23-22	WATER AT REV. DISP
9-01-24	ADD SUITE 6155

GEORGE M. ROSE, P.E.
P.O. BOX 53441
FAYETTEVILLE, NC 28305
910-977-5822 FAX 910-485-5823 EMAIL george@mrmpe.com

EL BURRITO MEXICAN RESTAURANT
SPRING LAKE, NC
6743-6755 OVERHILLS ROAD
PLUMBING PLAN

DATE: MAY 2024
DRAWN BY: GMR
CHECKED: GMR
SCALE: NOTED
SHEET NO. **P1**

ALL WORK SHALL BE IN ACCORDANCE WITH THE 2018 NC MECHANICAL CODE.

ALL DUCTWORK SHALL BE CONSTRUCTED OF GALVANIZED SHEET METAL IN ACCORDANCE WITH ASHRAE & SMACNA. DUCT SIZES SHOWN ARE NET FREE AREA REQUIRED. ALL SUPPLY AND RETURN DUCTS AND FLEX SHALL BE INSULATED WITH MIN. R-6.0 INSULATION UNLESS OTHERWISE NOTED IN THE DRAWING.

ALL EXPOSED ROUND DUCT SHALL BE DOUBLE WALL INSULATED. EXPOSED RECTANGULAR DUCT SHALL BE INTERNALLY LINED WITH INSULATION.

ALL DUCTS SHALL BE AIR TIGHT, RIGID AND FREE FROM VIBRATION AND NOISE. ALL LAP JOINTS SHALL BE IN THE DIRECTION OF FLOW. VOLUME OR SPLITTER DAMPERS SHALL BE INSTALLED WHERE NECESSARY TO GUIDE AND CONTROL THE AIR FLOW. PROVIDE SHEET METAL SLEEVES AND COLLARS WHERE DUCTS PASS THROUGH WALLS.

STRUCTURAL MEMBERS OF THE BUILDING SHALL NOT BE CUT IN ANY MANNER FOR THE INSTALLATION OF ANY EQUIPMENT UNLESS PRIOR APPROVAL IS OBTAINED FROM THE ARCHITECT.

MECHANICAL CONTRACTOR TO CONFIRM BREAKER/DISCONNECT SIZES OF HIS EQUIPMENT WITH THE ELECTRICAL CONTRACTOR.

FURNISH AND INSTALL A DUCT MOUNTED SMOKE DETECTOR IN THE RETURN DUCT OF THE A/C UNIT IN ACCORDANCE WITH 2018 NC MECHANICAL CODE. THE DETECTOR SHALL BE WIRED TO SHUT DOWN THE FAN IN THE EVENT THE DETECTOR IS ACTIVATED. THE MECHANICAL CONTRACTOR SHALL FURNISH AND INSTALL THE DUCT DETECTOR AND RUN THE NECESSARY CONTROL WIRING FROM THE DETECTOR TO HIS EQUIPMENT. SMOKE DETECTORS ARE ONLY REQUIRED FOR UNITS SUPPLYING 2000 CFM OR MORE.

MECHANICAL CONTRACTOR SHALL PROVIDE A TEST AND BALANCE REPORT SYSTEM COMPLIANCE STATEMENT REQUIRES A WRITTEN T&B REPORT. FINAL PROJECT SIGNOFF WILL BE DENIED WITHOUT THIS REPORT.

MECHANICAL CONTRACTOR IS RESPONSIBLE FOR COORDINATING THE LOCATIONS AND ROUTING OF ALL DUCTWORK WITH OTHER TRADES TO AVOID CONFLICTS.

ALL EQUIPMENT MATERIALS AND WORKMANSHIP SHALL BE GUARANTEED TO BE FREE OF DEFECTS FOR A PERIOD OF ONE YEAR AFTER FINAL ACCEPTANCE OF THE WORK OR IN ACCORDANCE WITH THE PARTICULAR MANUFACTURER'S STANDARD GUARANTEE IF LONGER. ANY FAULTY MATERIAL OR WORKMANSHIP OR FAILURE OF ANY PART OF THE SYSTEM DURING NORMAL OPERATIONS UNDER THIS GUARANTEE SHALL BE CORRECTED WITHOUT COST TO THE OWNER.

ALL THERMOSTATS SHALL BE OF A PROGRAMMABLE TYPE.

BUILDING CONTRACTOR SHALL PROVIDE PERMANENT ACCESS TO ROOF STRUCTURE FOR ACCESS TO MECHANICAL EQUIPMENT WHEN ROOF STRUCTURE IS GREATER THAN 16'-0" HIGH.

APPENDIX B 2018 BUILDING CODE SUMMARY FOR ALL COMMERCIAL PROJECTS

MECHANICAL DESIGN

MECHANICAL SYSTEMS, SERVICE SYSTEMS AND EQUIPMENT

Thermal Zone	3A-CUMBERLAND
winter dry bulb:	27°
summer dry bulb:	91°

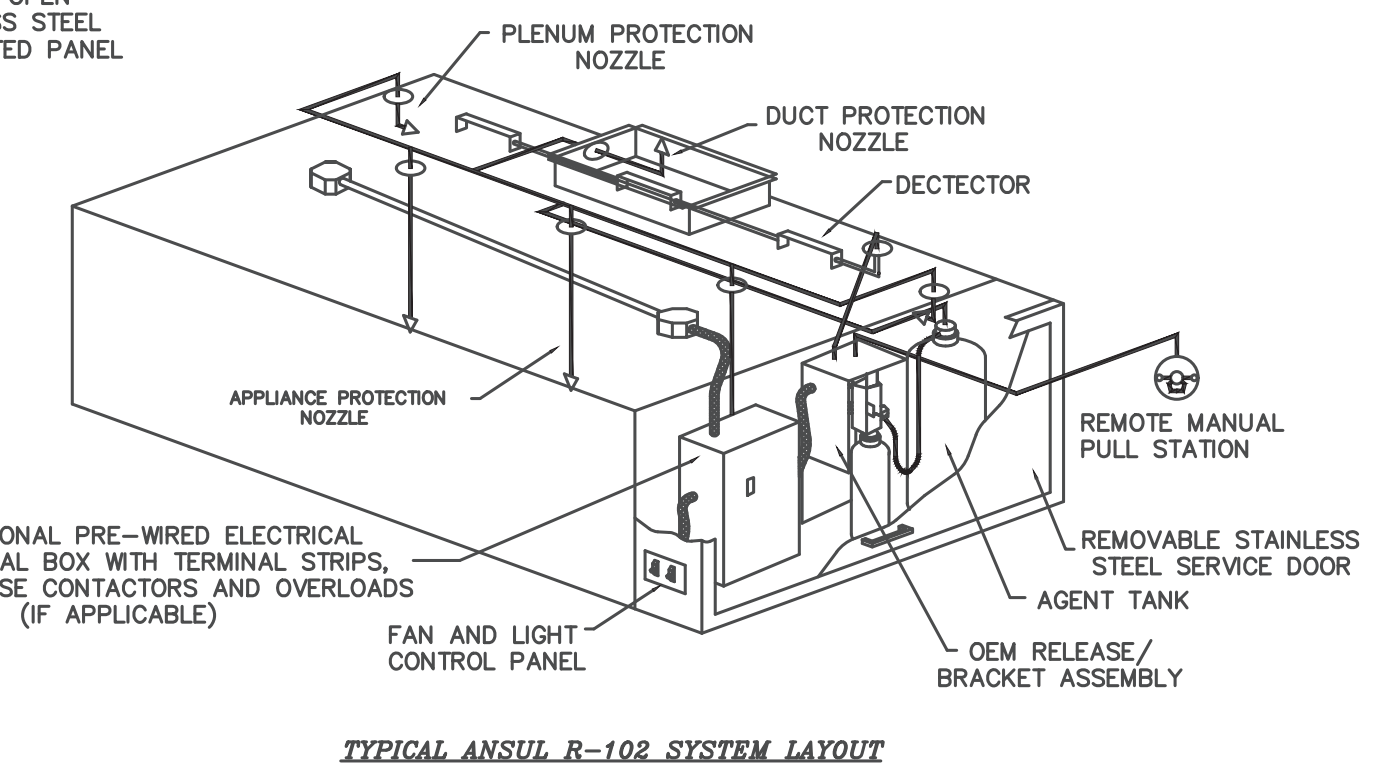
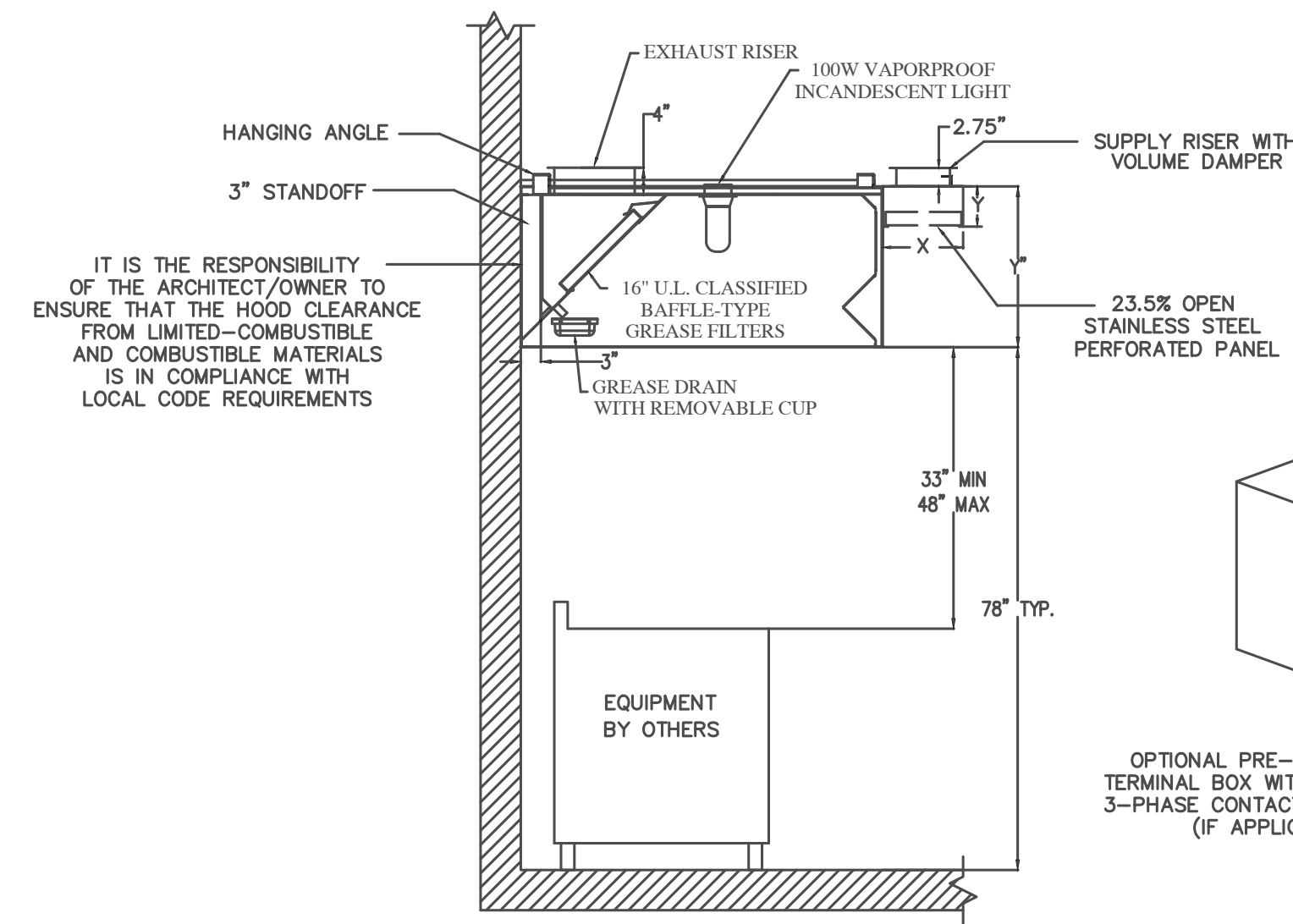
Interior design conditions	
winter dry bulb:	75°
summer dry bulb:	75°
relative humidity:	50%

Building heating load: 111,277 BTU

Building cooling load: 77,293 BTU

Mechanical Spacing Conditioning System

Unitary	
description of unit:	SINGLE PACKAGED HEAT PUMP
heating efficiency:	HSPF-8.0
cooling efficiency:	SEER-14.0
size category of unit:	<65,000 BTU/H
Boiler	
Size category. If oversized, state reason: _____	
Chiller	
Size category. If oversized, state reason: _____	
List equipment efficiencies: _____	



1 HVAC NOTES

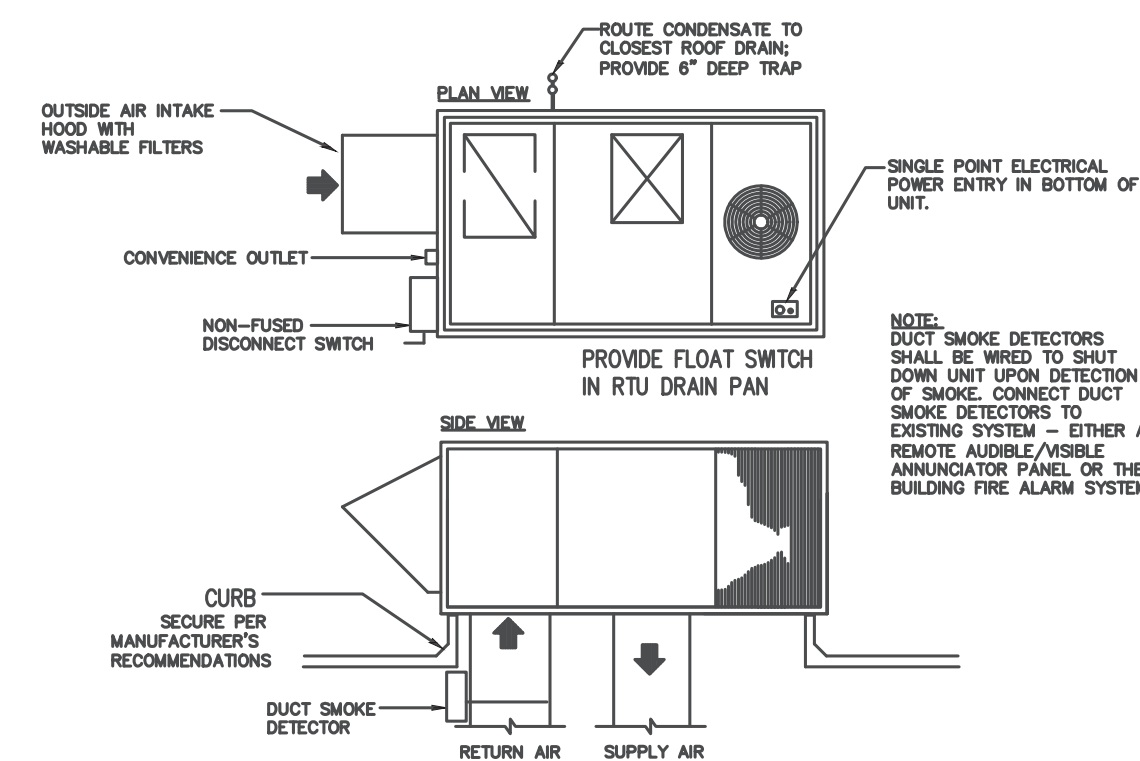
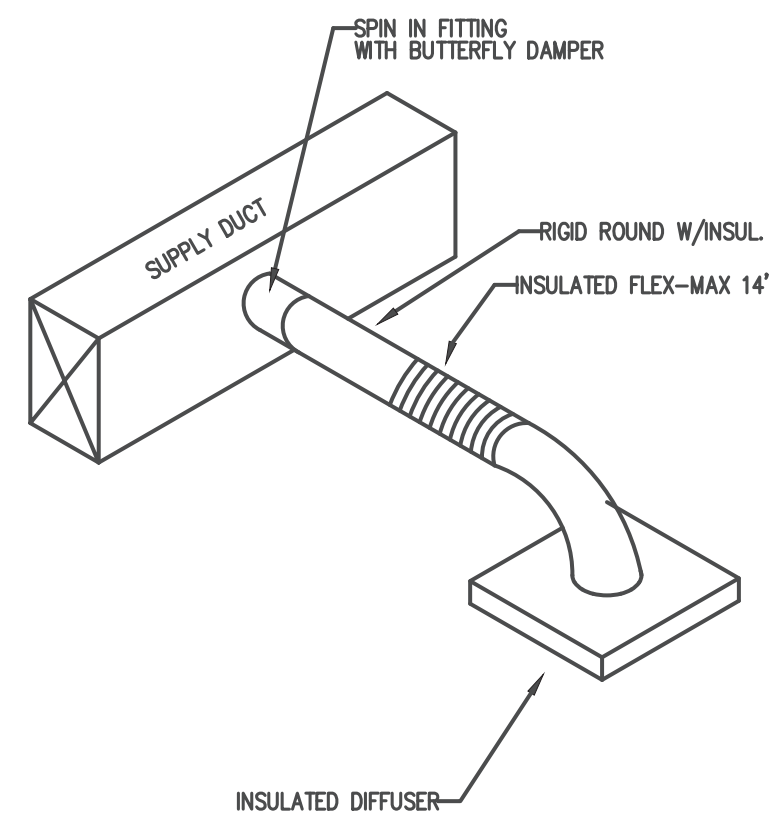
N.T.S.

M1

2 KITCHEN HOOD DETAILS

N.T.S.

M1



3 DIFFUSER TAKEOFF DETAIL

N.T.S.

M1

4 PACKAGE UNIT DETAIL

N.T.S.

M1

Jun 03, 2024



Coastal Plains Engineering, P.A.

License No. C-5050

280 LACONIA RD
P.O. Box 1117 28679
Raleigh, NC 27615
Phone: 910-851-2715
Fax: 910-851-7213
www.coastalplainseng.com

EL BURRITO
MEXICAN RESTAURANT

6743 OVERHILLS ROAD
SPRING LAKE, NORTH CAROLINA

DRAWINGS AND THE DESIGN ARE THE PROPERTY OF THE ENGINEER. WHETHER THE PROJECT FOR WHICH THEY ARE PREPARED IS EXECUTED OR NOT, THE DRAWINGS SHALL NOT BE USED BY THE PROJECT OWNER OR ANYONE ELSE FOR ANY OTHER PROJECT.

ADA AND LEGAL DISCLAIMER
THIS DOCUMENT IS INTENDED TO COMPLY WITH THE REQUIREMENTS OF THE AMERICANS WITH DISABILITIES ACT (ADA). ARCHITECTS AND ENGINEERS ARE NOT LICENSED TO INTERPRET LAWS OR ONE ANOTHER'S LAWS OR LEGAL MATTERS. THE OWNER SHOULD HAVE THIS DOCUMENT REVIEWED BY HIS ATTORNEY TO DETERMINE IF IT COMPLES ADA AND OTHER LAWS.

PROJECT NO: 2022-157
DRAWN BY: WJ/ML
DATE: CSL
REVISIONS: 05-16-24

SHEET NO:

M-1



HOOD FAN SCHEDULE										
MARK	LOCATION	SERVICE	CFM	S.P.	HP	RPM	VOLT	PHASE	DRIVE	REMARKS
KEF1	ROOF	HOOD	3933	1.0"	1.39	1271	208	1	BELT	ROOF MTD. EXHAUST FAN CAPTIVEAIRE NCA16FA VERIFY WITH SUPPLIER
KSF1	ROOF	HOOD	3147	.75"	1.18	796	208	1	BELT	ROOF MTD. MAKEUP FAN CAPTIVEAIRE A2-G12 VERIFY WITH SUPPLIER

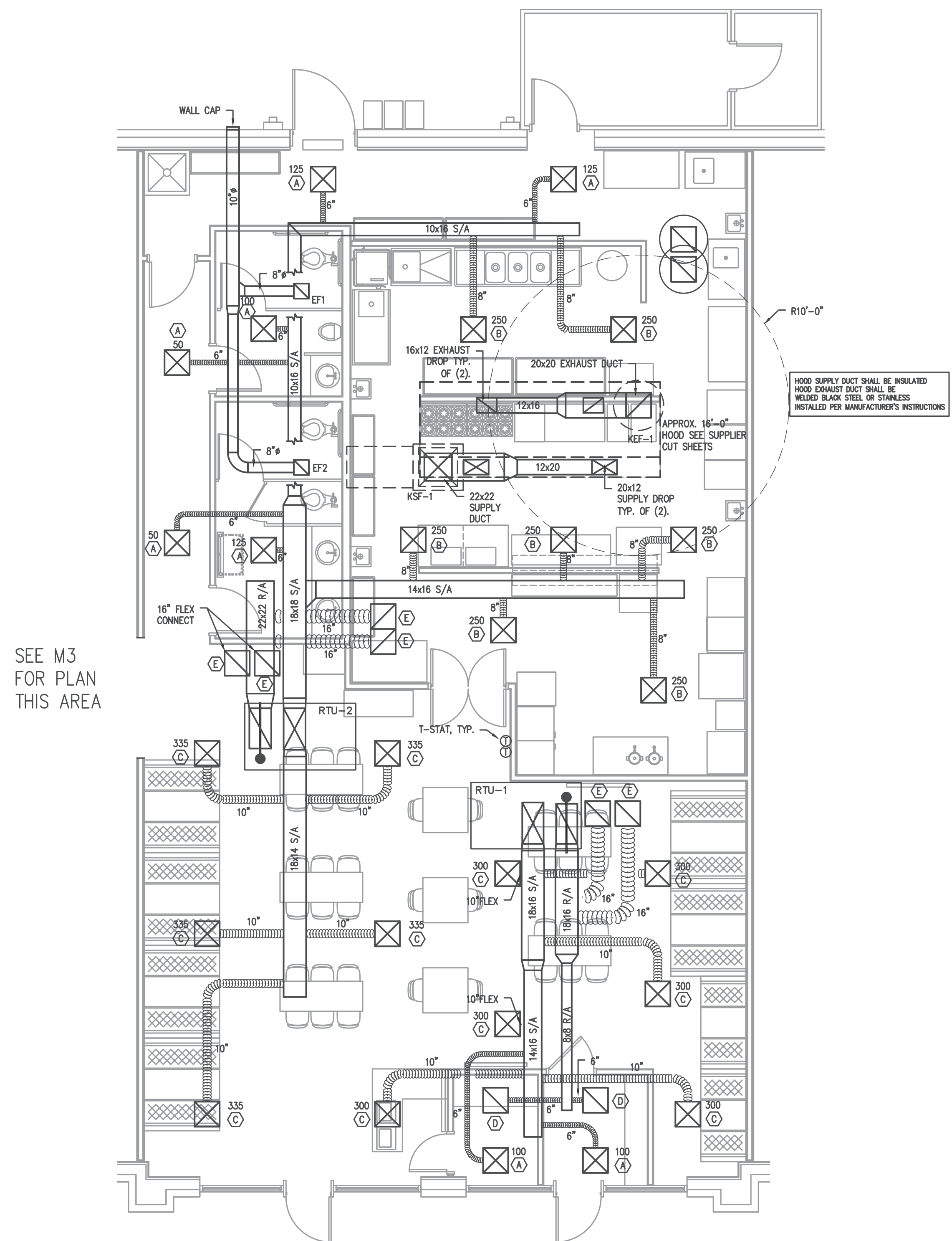
ROOFTOP UNIT SCHEDULE																			
UNIT NO.	TOTAL CFM	O.A. CFM	EXT. S.P.	EVAP. FAN HP	COMPRESSOR AMPS	NO. OF COMPR.	FAN AMPS	NO. OF FANS	UNIT MCA	UNIT MOCP	UNIT VOLT	UNIT PHASE	CAPACITIES			REMARKS	REFRIG.	UNIT NET WEIGHT	
													GROSS COOLING	SEER	HEATING HIGH				HEATING LOW
RTU-1	2000	419	0.50"	1.0	17.5	1	1.5	1	63	70	208	3	61,000	14.0	59,000	35,000	TRANE WSC060H3 5 TON SINGLE PACKAGED CONVERTIBLE HEAT PUMP WITH SKW STRIPS OFI RECEIPT	R410A	425 LBS.
RTU-2	4000	452	0.48"	2.75	34/12.3	2	2.8	1	101	110	208	3	118,100	11.0	106,000	58,500	TRANE WSC120H3 10 TON SINGLE PACKAGED CONVERTIBLE HEAT PUMP WITH 1.5 SKW STRIPS OFI RECEIPT	R410A	850 LBS.

MECHANICAL LEGEND	
SYMBOL	DESCRIPTION
	RECTANGULAR CEILING MOUNTED S/A DIFFUSER
	RECTANGULAR CEILING MOUNTED R/A OR EXHAUST GRILLE
	RUNNOUT TO DIFFUSER W/VOLUME DAMPER AND CONE EXTRACTOR
	90 DEG. ELBOW W/ TURNING VANES
	CONDENSATE DRAIN PIPING
	REFRIGERANT PIPING
	HEATING AND COOLING THERMOSTAT. MOUNT 5'-0" A.F.F. AUTOMATIC CHANGEOVER.
	SYSTEM EMERGENCY SHUT-OFF SWITCH (RED LABELED)
	DUCT SMOKE DETECTOR - FURNISHED BY M.C., INSTALLED BY M.C., WIRED BY M.C.
S/A	SUPPLY AIR
R/A	RETURN AIR
O/A	OUTSIDE AIR
S/D	SPLITTER DAMPER
M.D.	MANUAL DAMPER WITH LOCKING QUADRANTS
B.D.D.	BACKDRAFT DAMPER
A.F.F.	ABOVE FINISHED FLOOR
P.C.	PLUMBING CONTRACTOR
M.C.	MECHANICAL CONTRACTOR
E.C.	ELECTRICAL CONTRACTOR
	CEILING FIRE/RADIATION DAMPER
	VERTICAL FIRE DAMPER
	DUCTSMOKE DETECTOR

FAN SCHEDULE										
MARK	LOCATION	SERVICE	CFM	S.P.	WATTS	RPM	VOLT	PHASE	DRIVE	REMARKS
EF1	CEILING	TOILETS	140	0.1"	128	1050	120	1	DIRECT	CEILING MOUNTED FAN. PROVIDE W/B.D.D. AND WALL CAP GREENHECK SP-B150 OR EQ. 8" FLEX TO ROOF/WALL CAP
EF2										

AIR BALANCE SCHEDULE					
ID	TOTAL AIR	RECIRC. AIR	O/S AIR	EXH. CFM	MUA
RTU-1	2000	1581	419		
RTU-2	4000	3548	415		
HOOD EX.				3933	
HOOD SU.					3147
TOTALS			+834	-3933	+3147
BUILDING PRESSURIZATION +48 CFM					

LAY-IN DIFFUSER/RETURN SCHEDULE					
MARK ON PLANS	CFM	AIR PATTERN	NECK SIZE	RUNOUT SIZE	REMARKS
(A)	50-125	4 WAY	6 X 6	6"	PRICE SERIES ASCD OFF WHITE, ALUM.
(B)	150-275	4 WAY	8 X 8	8"	PRICE SERIES ASCD OFF WHITE, ALUM.
(C)	300-400	4 WAY	10 X 10	10"	PRICE SERIES ASCD OFF WHITE, ALUM.
(D)		N/A	12 X 12	SEE PLAN	PRICE SERIES 630 OFF WHITE, ALUM., RETURN
(E)		N/A	20 X 20	SEE PLAN	PRICE SERIES 630 OFF WHITE, ALUM., RETURN



SEE M3 FOR PLAN THIS AREA

1 HVAC PLAN
M2 3/16"=1'

Coastal Plains Engineering, P.A.
280 LUCKLEBAR RD
P.O. Box 1117 08879
Spring Lake, NC 27982
Voice: 910-821-7213
Fax: 910-821-7213
www.coastalplainseng.com
License No: C-2009

EL BURRITO
MEXICAN RESTAURANT
6743 OVERHILLS ROAD
SPRING LAKE, NORTH CAROLINA

DRAWINGS AND THE DESIGN ARE THE PROPERTY OF THE ENGINEER. WHETHER THE PROJECT FOR WHICH THEY ARE PREPARED IS EXECUTED OR NOT, THE DRAWINGS SHALL NOT BE USED BY THE PROJECT OWNER OR ANYONE ELSE FOR ANY OTHER PROJECT.

ADA AND LEGAL DISCLAIMER
THIS DOCUMENT IS INTENDED TO COMPLY WITH THE REQUIREMENTS OF THE AMERICANS WITH DISABILITIES ACT (ADA). ARCHITECTS AND ENGINEERS ARE NOT LICENSED TO INTERPRET LAWS OR ONE ANOTHER CONCERNING LAWS OR LEGAL MATTERS. THE OWNER SHOULD HAVE THIS DOCUMENT REVIEWED BY HIS ATTORNEY TO DETERMINE IF IT COMPLES ADA AND OTHER LAWS.

PROJECT NO: 2022-157
DWG BY: WJ/ML
DATE: CSL
REVISIONS: 05-16-24

SHEET NO:
M-2



APPENDIX B 2018 BUILDING CODE SUMMARY FOR ALL COMMERCIAL PROJECTS

MECHANICAL DESIGN

MECHANICAL SYSTEMS, SERVICE SYSTEMS AND EQUIPMENT

Thermal Zone 8A
 winter dry bulb: 18°
 summer dry bulb: 94°

Interior design conditions
 winter dry bulb: 75°
 summer dry bulb: 75°
 relative humidity: 50%

Building heating load: 50,956

Building cooling load: 53,548

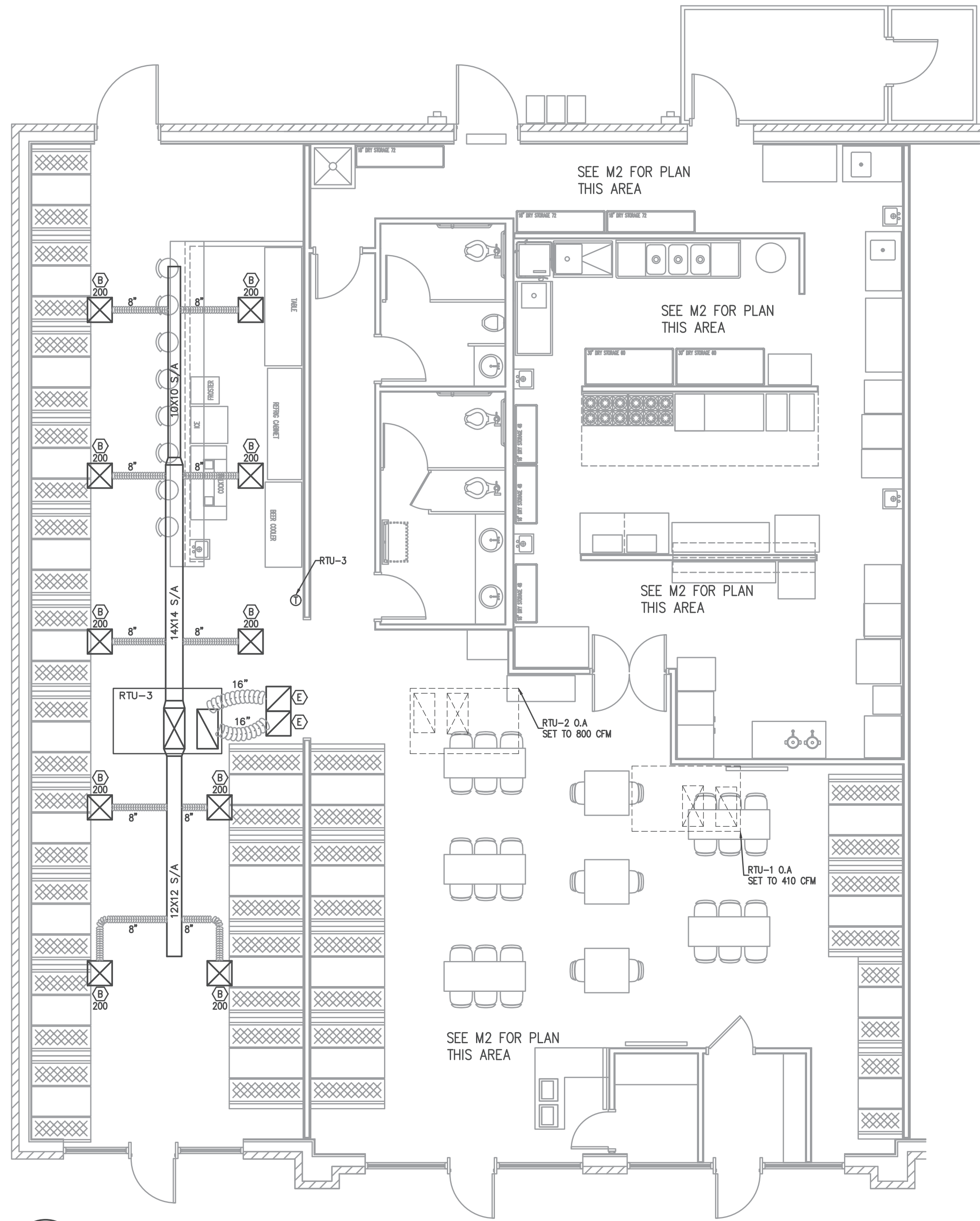
Mechanical Spacing Conditioning System

Unitary
 description of unit: ROOFTOP UNITS
 heating efficiency: -
 cooling efficiency: 14.0
 size category of unit: <65,000 BTU

Boiler
 Size category. If oversized, state reason: _____

Chiller
 Size category. If oversized, state reason: _____

List equipment efficiencies: _____



OUTSIDE AIR CALCULATION — 2018 NC MECHANICAL CODE (TABLE 403.3) $V_{bz} = R_p P_z + R_{aA_z}$

RTU	OCCUPANCY TYPE:	SF (Az)	# OF OCCUPANTS (Pz)	O.A. CFM PER PERSON (Rp)	O.A. CFM PER SF (Ra)	O.A. CFM REQUIRED (Vbz)	EXHAUST CFM REQUIRED
RTU-1	DINING AREA	1144	80	7.5	0.18	806	-
	OFFICE	37	1	5	0.06	8	-
	AIRLOCK	50	1	5	0.06	8	-
	CFM REQUIRED						822
							TOTAL EXHAUST FURNISHED -
RTU-2	STORAGE	233	-	-	0.12	42	-
	KITCHEN	853	-	-	-	-	597
	MEN	91	-	-	-	-	140
	WOMEN	131	-	-	-	-	140
	HALL	110	-	-	0.06	7	-
CFM REQUIRED						49	TOTAL EXHAUST REQUIRED 877
							TOTAL EXHAUST FURNISHED (HOOD)
RTU-3	BAR	247	10	7.5	0.18	119	-
	DINING	990	60	7.5	0.18	628	-
	CFM REQUIRED						747
							TOTAL EXHAUST FURNISHED
TOTAL O.A. CFM REQUIRED						1618	
TOTAL O.A. CFM PROVIDED						1620	

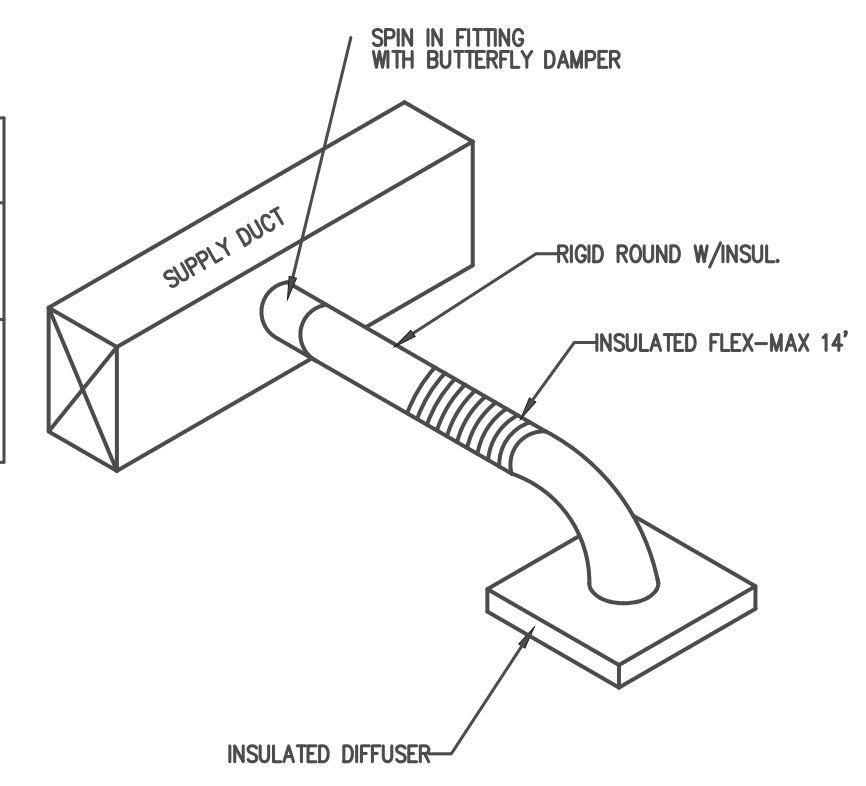
1 MECHANICAL PLAN
 3/16" = 1'-0"

ROOFTOP UNIT SCHEDULE

UNIT NO.	TOTAL CFM	O.A. CFM	EXT. S.P.	EVAP. FAN HP	COMPRESSOR AMPS	NO. OF COMPR.	FAN AMPS	NO. OF FANS	UNIT MCA	UNIT MOC/P	UNIT VOLT	UNIT PHASE	CAPACITIES				REFRIG.	UNIT NET WEIGHT	
													GROSS COOLING	SEER	HEATING HIGH	HEATING LOW			
RTU-3	2000	410	0.50"	1.0	17.5	1	1.5	1	6.3	70	208	3	61,000	14.0	59,000	35,000	TRANE WSC060H3 SINGLE PACKAGED CONVERTIBLE HEAT PUMP WITH 9KW STRIPS GFI RECEPT	R410A	425 LBS.

LAY-IN DIFFUSER/RETURN SCHEDULE

MARK ON PLANS	CFM	AIR PATTERN	NECK SIZE	RUNOUT SIZE	REMARKS
(A)	150-275	4 WAY	8 X 8	8"	PRICE SERIES ASCD OFF WHITE, ALUM.
(B)		N/A	20 X 20	SEE PLAN	PRICE SERIES 630 OFF WHITE, ALUM., RETURN



4 DIFFUSER DETAIL
 N.T.S.

Coastal Plains Engineering, P.A.
 License No. C-2009
 2805 LOCKLEAR RD
 P.O. Box 1117 28678
 VOICE: 910-821-7213
 FAX: 910-821-7213
 www.coastalplainseng.com

EL BURRITO MEXICAN RESTAURANT
 6743 OVERHILLS ROAD
 SPRING LAKE, NC

DRAWINGS AND THE DESIGN ARE THE PROPERTY OF THE ENGINEER
 WHETHER THE PROJECT FOR WHICH THEY ARE PREPARED IS
 EXECUTED OR NOT. THE DRAWINGS SHALL NOT BE USED BY THE
 PROJECT OWNER OR ANYONE ELSE FOR ANY OTHER PROJECT

ADA AND LEGAL DISCLAIMER
 THIS DOCUMENT IS INTENDED TO COMPLY WITH THE
 REQUIREMENTS OF THE AMERICANS WITH DISABILITIES ACT (ADA).
 ARCHITECTS AND ENGINEERS ARE NOT LICENSED TO INTERPRET
 LAWS OR GIVE ADVICE CONCERNING LAWS OR LEGAL MATTERS.
 THE OWNER SHOULD HAVE THIS DOCUMENT REVIEWED BY HIS
 ATTORNEY TO DETERMINE IF IT COMPLES ADA AND OTHER LAWS.

PROJECT NO. 2024-071
 DRAWN BY: AJO
 DATE:
 REVISIONS:

SHEET NO:
M3

EX. EB1

ROOM MOUNTING FLUSH FED FROM UTILITY NOTE			VOLTS 208Y/120V 3P 4W BUS AMPS 200 NEUTRAL 100%			AIC 22,000 MAIN BKR 200 LUGS STANDARD					
CKT #	CKT BKR	CIRCUIT DESCRIPTION	LOAD KVA			CKT #	CKT BKR	CIRCUIT DESCRIPTION	LOAD KVA		
			A	B	C				A	B	C
1	15/2	ICE CUBER	1.22			2	20/1	FLY FAN	0.528		
3		GFCI BREAKER	1.22	1.22		4	20/1	WATER HEATER		1.44	
5	20/1	COUNTERTOP SODA DISPENSER			0.384	6	20/2	WALK-IN COOLER			2.04
7	20/1	CHIP WARMER	1.5			8			2.04		
9	20/1	REACH-IN REFRIG.		0.9		10	20/2	WALK-IN FREEZER		1.2	
11	20/1	REACH-IN FREEZER			1.02	12					1.2
13	20/1	KITCHEN GFCI RECEPTACLE	0.72			14	20/1	DISHMACHINE	1.92		
15	20/1	HEATING HOLDING CABINET		1.44		16	20/1	KITCHEN GFCI RECEPTACLE		0.54	
17	20/1	REACH-IN REFRIG.			0.864	18	20/2	KEF-1			1.2
19	20/1	REACH-IN FREEZER	1.02			20			1.2		
21	20/1	REFRIGERATED SANDWICH PREP		0.864		22	20/2	KSF-1		1.2	
23	20/1	MICROWAVE			1.5	24					1.2
25	20/1	MICROWAVE	1.5			26	-/1	SHUNT TRIP	0		
27	20/1	REFRIGERATED CHEF BASE		0.396		28	20/1	KITCHEN LIGHTING		1.04	
29	-/1	SHUNT TRIP SPACE			0	30	70/3	RTU-4			5.86
31	20/1	BAR COUNTER RECEPTACLE	0.72			32			5.86		
33	20/1	BAR COUNTER RECEPTACLE		0.72		34				5.86	
35	20/1	TABLE RECEPTACLE			0.72	36	20/1	SPACE			0
37	20/1	SPACE	0			38	20/1	SPACE	0		
39	20/1	SPACE			0	40	20/1	SPACE			0
41	20/1	SPACE			0	42	20/1	SPACE			0
TOTAL CONNECTED KVA BY PHASE			18.2	16.8	16						
CONN KVA			CALC KVA			CONN KVA			CALC KVA		
LIGHTING	1.04	1.3	(125%)	KITCHEN EQUIPMENT	18.9	12.3	(65%)				
LARGEST MOTOR	6.3	1.58	(25%)	NONCONTINUOUS	2.88	2.88	(100%)				
MOTORS	4.8	4.8	(100%)	HEATING	17.6	17.6	(100%)				
RECEPTACLES	5.83	5.83	(50%>10)	COOLING	8.59	0	(0%)				
TOTAL LOAD			46.3			BALANCED 3-PHASE LOAD			128 A		

EX. EB2

ROOM MOUNTING FLUSH FED FROM UTILITY NOTE			VOLTS 208Y/120V 3P 4W BUS AMPS 200 NEUTRAL 100%			AIC 22,000 MAIN BKR 200 LUGS STANDARD					
CKT #	CKT BKR	CIRCUIT DESCRIPTION	LOAD KVA			CKT #	CKT BKR	CIRCUIT DESCRIPTION	LOAD KVA		
			A	B	C				A	B	C
1	20/1	CASHIER/OFFICE RECEPTACLE	0.72			2	110/3	RTU-2			
3	20/1	DINING/TV/AIRLOCK RECEPTACLE		0.9		4					
5	20/1	DINING/CORRIDOR RECEPTACLE			0.9	6					
7	70/3	RTU-1	5.86			8	20/1	WOMEN'S TOILET GFCI RECEPTACLE		0.18	11.3
9				5.86		10	20/1	MEN'S TOILET GFCI RECEPTACLE		0.18	
11					5.86	12	20/1	DINING/MEN/WOMEN/OFFICE/AIRLOCK/EF-1/EF-2 LIGHTING		2.23	
13	20/1	REFRIGERATOR MERCHANDISER	1.18			14	20/1	FORSTER	0.864		
15	20/1	BAR & DINING LIGHTING		0.717		16	20/1	FRIG. CABINET		1.28	
17	20/1	RECEPTACLE			0.54	18	20/1	BEER COOLER			0.42
19	20/1	SPACE	0		0	20	20/1	ROOFTOP GFCI RECEPTACLE	0.18		
21	20/1	SPACE		0		22	20/1	SPACE		0	
23	20/1	SPACE			0	24	20/1	SPACE		0	
25	20/1	SPACE			0	26	20/1	SPACE		0	
27	20/1	SPACE			0	28	20/1	SPACE		0	
29	20/1	SPACE			0	30	20/1	SPACE		0	
31	20/1	SPACE			0	32	20/1	SPACE		0	
33	20/1	SPACE			0	34	20/1	SPACE		0	
35	20/1	SPACE			0	36	20/1	SPACE		0	
37	20/1	SPACE			0	38	20/1	SPACE		0	
39	20/1	SPACE			0	40	20/1	SPACE		0	
41	20/1	SPACE			0	42	20/1	SPACE		0	
TOTAL CONNECTED KVA BY PHASE			20.3	20.3	20.3						
CONN KVA			CALC KVA			CONN KVA			CALC KVA		
LIGHTING	1.95	2.43	(125%)	RECEPTACLES	3.6	3.6	(50%>10)				
LARGEST MOTOR	17.6	4.4	(25%)	KITCHEN EQUIPMENT	2.88	2.6	(90%)				
MOTORS	0.864	0.864	(100%)	HEATING	51.6	51.6	(100%)				
TOTAL LOAD			65.5			BALANCED 3-PHASE LOAD			182 A		

CONTRACTOR SHALL COORDINATE WITH LOCAL UTILITY FOR SERVICE. A COMPLETE AND WORKING SYSTEM IS REQUIRED FOR COMPLIANCE WITH THESE DOCUMENTS. DETERMINE THE POINT OF CONNECTION TO THE UTILITY WITH THE UTILITY REPRESENTATIVE AND PROVIDE ACCORDINGLY FOR A COMPLETE WORKING SYSTEM.

WIRE AND CABLE SHALL BE INSULATED, TYPE THWN OR THHN, 600 VOLTS, WITH COPPER CONDUCTORS. CONDUCTOR SIZES NO. 8 AWG AND LARGER MAY BE STRANDED. CONDUCTORS SIZES NO. 10 AWG AND SMALLER MAY BE SOLID OR STRANDED. NO ROMEX PERMITTED.

EMT SHALL BE GALVANIZED STEEL TUBING, 1/2-INCH MINIMUM SIZE, EQUAL TO ELECTRINITE BRAND OR APPROVED AND USED ONLY WITH HEXAGONAL ALL STEEL COMPRESSION FITTINGS.

PLASTIC CONDUIT SHALL BE RIGID, 3/4-INCH MINIMUM NON-METALLIC, HEAVY DUTY, HIGH IMPACT, POLYVINYLCHLORIDE (PVC), TYPE I WILL BE USED FOR CONCRETE ENCASMENT. FITTINGS SHALL BE THE SAME MATERIALS AND MANUFACTURER AS THE PLASTIC CONDUIT.

FLEXIBLE METAL CONDUIT SHALL BE 1/2- INCH MINIMUM SINGLE STRIP, STEEL, HOT DIPPED GALVANIZED INSIDE AND OUTSIDE, MAXIMUM LENGTH 72 INCHES FOR LIGHTING AND 36" FOR MOTORS. FLEXIBLE METAL CONDUIT SHALL BE LIQUDTIGHT OR WATERTIGHT WITH PVC JACKET WHERE USED IN DAMP, WET OR OUTSIDE AREAS, AND LIQUDTIGHT OR WATERTIGHT CONNECTORS SHALL BE USED.

NO RECEPTACLES OR TEL. OUTLETS TO BE MOUNTED BACK TO BACK, KEEP AT LEAST 2 INCHES BETWEEN RECEPTACLES AND TEL. OUTLETS.

ALL CONDUCTOR SHALL BE COPPER WITH A MINIMUM SIZE OF #12 AWG EXCEPT FOR FIRE ALARM. THESE CONDUCTORS SHOULD COMPLY WITH NFPA.

CONTRACTOR SHALL ALIGN FIXTURES, SMOKE DETECTORS, CEILING DIFFUSERS ETC. AS REQUIRED TO PROVIDE A UNIFORM PRESENTATION. AT NO TIME WILL AN IONIZATION DETECTOR BE LOCATED WITHIN 3'-0" OF A SUPPLY OR RETURN AIR GRILLE.

CIRCUIT BREAKERS AND WIRE ARE SIZED FOR SPECIFIC EQUIPMENT. BEFORE ORDERING WIRE, BREAKERS AND CONDUIT FOR THIS PROJECT THE CONTRACTOR SHALL COORDINATE WITH THE OTHER CONTRACTORS ON THE JOB AND VERIFY THE ELECTRICAL DATA FOR THE EQUIPMENT WHICH WILL ACTUALLY BE INSTALLED, RECOMPUTING WIRE AND BREAKER SIZES IF REQUIRED BY THE NEC.

ALL CONDUIT TERMINATING IN THE CEILING CAVITIES IS TO BE LABELED.

ALL CONDUIT SHALL BE COLOR CODED WITH 1/2" WIDE TAPE, 10'-0" ON CENTER IN ACCORDANCE WITH STANDARD INDUSTRY PRACTICE.

THE MOUNTING HEIGHTS AND LOCATIONS OF ALL WALL MOUNTED OUTLETS AND JUNCTION BOXES SHALL BE REVIEWED AND COORDINATED WITH THE ARCHITECT AND OWNER, PRIOR TO INSTALLATION, FOR USE WITH ACTUAL EQUIPMENT.

EACH CONTRACTOR WILL PROVIDE HIS OWN SUPPORT OF ALL DEVICES AND EQUIPMENT PROVIDED BY HIM AND SHALL SUPPORT SUCH EQUIPMENT PER APPROVED GOVERNING CODES OR PER APPROVAL OF THE ENGINEER/ARCHITECT. UNACCEPTABLE WORKMANSHIP OR MATERIALS SHALL BE REPLACED AT THE REQUEST OF THE ENGINEER/ARCHITECT AT THE CONTRACTORS EXPENSE.

THE CONTRACTOR SHALL REFER TO THE ARCHITECTURAL PLANS FOR FLOOR PLAN DIMENSIONS.

THE CONTRACTOR SHALL COORDINATE ANY AND ALL WORK WITH OTHER TRADES INVOLVED IN THIS PROJECT PRIOR TO THE INSTALLATION OF HIS EQUIPMENT, SO AS TO AVOID CONFLICTS DURING CONSTRUCTION AND ALLOW FOR OPTIMUM WORKING SPACE AND MAINTENANCE.

ALL FUSES DISCONNECT SWITCHES AND BREAKER SIZES SHOWN FOR MECHANICAL EQUIPMENT SHALL BE VERIFIED BEFORE PURCHASE AND INSTALLATION OF SAID EQUIPMENT WITH THE EQUIPMENT SUPPLIER AND MECHANICAL CONTRACTOR.

WHERE EQUIPMENT PENETRATES EXTERIOR WALL OR ROOF THEY SHALL BE PROPERLY SEALED WITH METHODS APPROVED BY THE ARCHITECT/ENGINEER.

ALL WORK IS TO BE DONE IN STRICT COMPLIANCE WITH THE LATEST VERSION OF THE NEC AND APPLICABLE STATE CODES

RECESSED FIXTURES INSTALLED IN RATED ASSEMBLIES SHALL BE INSTALLED WITH AN ENCLOSURE SO AS TO MAINTAIN THE RATING OF ASSEMBLY

2 ELECTRICAL NOTES
E1

APPENDIX B 2018 BUILDING CODE SUMMARY FOR ALL COMMERCIAL PROJECTS

ELECTRICAL DESIGN

ELECTRICAL SYSTEM AND EQUIPMENT

Method of Compliance:

Energy Code: Prescriptive Performance
ASHRAE 90.1: Prescriptive Performance

Lighting schedule (each fixture type)

lamp type required in fixture
number of lamps in fixture
ballast type used in the fixture
number of ballasts in fixture
total wattage per fixture

SEE FIXTURE SCHEDULE

.718/1123 total interior wattage specified vs. allowed (whole building or space by space)
.0/500 total exterior wattage specified vs. allowed

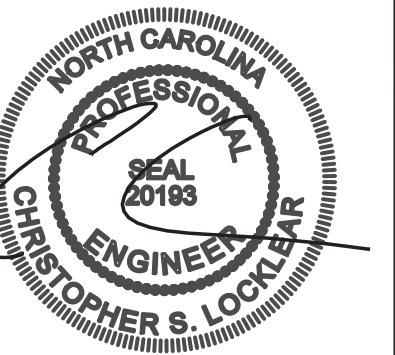
Additional Prescriptive Compliance

- 506.2.1 More Efficient HVAC Equipment
- 506.2.2 Reduced Lighting Power Density
- 506.2.3 Energy Recovery Ventilation Systems
- 506.2.4 Higher Efficiency Service Water Heating
- 506.2.5 On-Site Supply of Renewable Energy
- 506.2.6 Automatic Daylighting Control Systems

LUMINAIRE SCHEDULE

CALLOUT	SYMBOL	LAMP	DESCRIPTION	BALLAST	MOUNTING	MODEL	INPUT WATTS	VOLTS
B	○	(1) LED	6" LED DOWNLIGHT	ELECTRONIC	RECESSED	COOPER HALO HC620D010-HM60525840-61WDC OR EQUAL	20.9	120V 1P 2W
C	○	(1) LED	LED PENDANT	ELECTRONIC	PENDANT	AS SELECTED BY OWNER, \$250 ALLOWANCE	14	120V 1P 2W
EMER	⏏	(2) LED	SQUARE HEAD LED EMERGENCY LIGHT	ELECTRONIC	WALL/CEILING	METALUX AP2SQLED OR EQUAL	1.8	120V 1P 2W
EMER/EXIT	⊗	(2) LED	LED COMBINATION EXIT/EMERGENCY LIGHT	ELECTRONIC	WALL/CEILING	METALUX APCH7RSQ OR EQUAL	3.4	120V 1P 2W

Jun 03, 2024



Coastal Plains Engineering, P.A.
License No. C-20050

296 LOCKLEAR RD
P.O. Box 1117
Pembroke, NC 28572
Phone: 810-561-7212
Fax: 810-561-7213
www.coastalplainseng.com

EL BURRITO
MEXICAN RESTAURANT

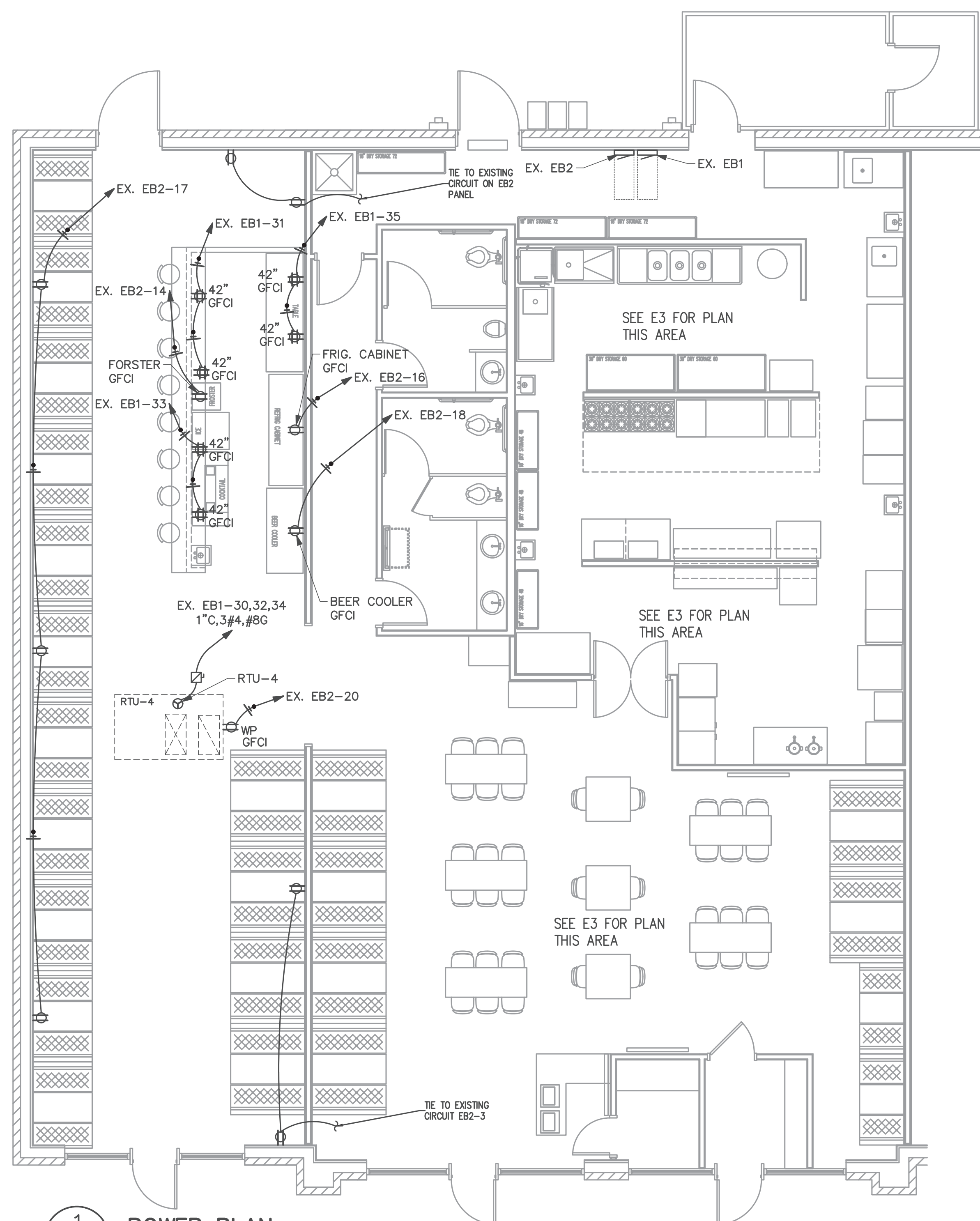
6743 OVERHILLS ROAD
SPRING LAKE, NC

DRAWINGS AND THE DESIGN ARE THE PROPERTY OF THE ENGINEER. WHETHER THE PROJECT FOR WHICH THEY ARE PREPARED IS EXECUTED OR NOT, THE DRAWINGS SHALL NOT BE USED BY THE PROJECT OWNER OR ANYONE ELSE FOR ANY OTHER PROJECT.

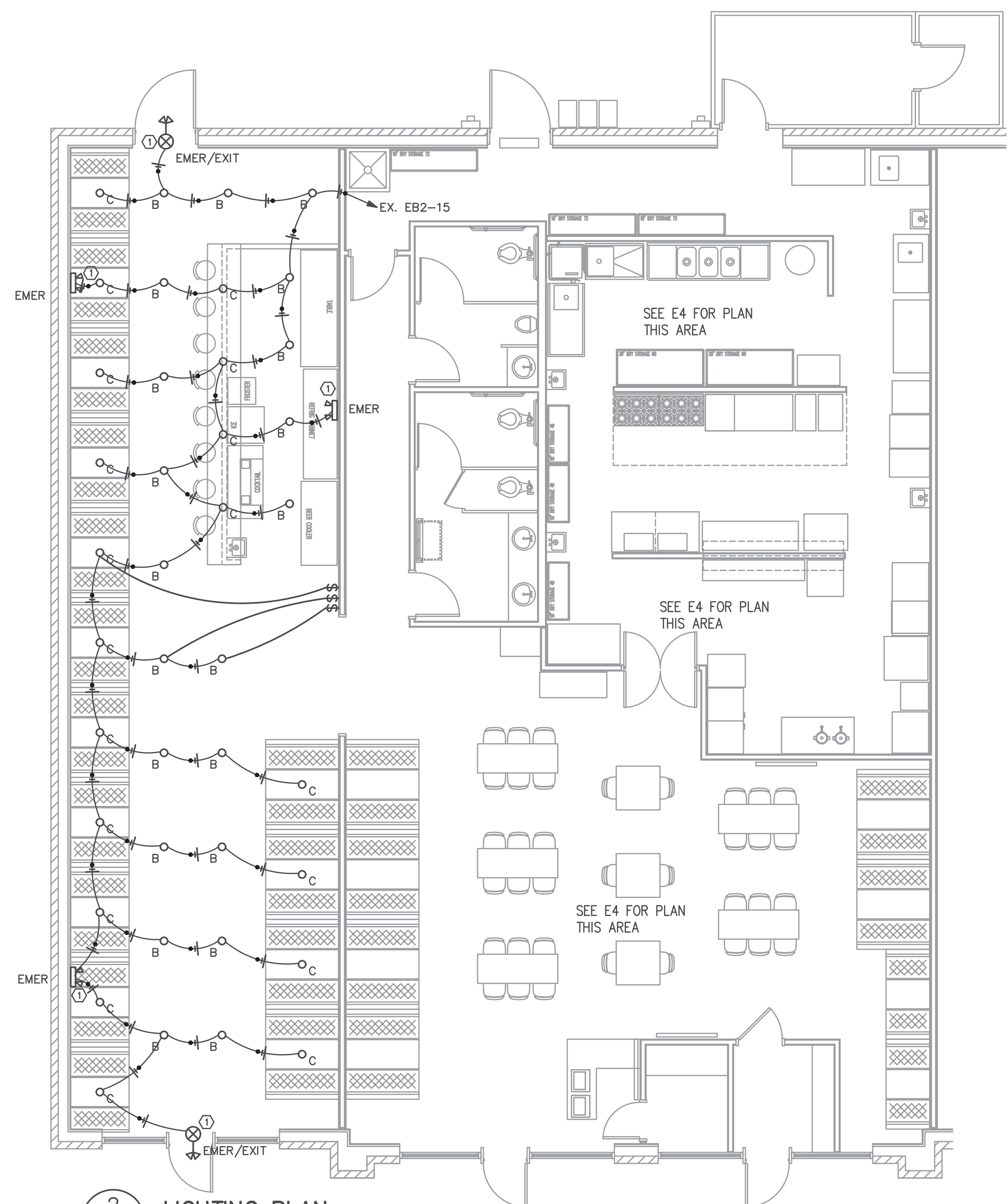
ADA AND LEGAL DISCLAIMER
THIS DOCUMENT IS INTENDED TO COMPLY WITH THE REQUIREMENTS OF THE AMERICANS WITH DISABILITIES ACT (ADA). ARCHITECTS AND ENGINEERS ARE NOT LICENSED TO INTERPRET LAWS OR ONE SHOULD CONSULT WITH A LEGAL COUNSEL. THE OWNER SHOULD HAVE THIS DOCUMENT REVIEWED BY HIS ATTORNEY TO DETERMINE IF IT COMPLES ADA AND OTHER LAWS.

PROJECT NO: 2024-071
DRAWN BY: AJD
DATE:
REVISIONS:

SHEET NO:
E1



1
E2
POWER PLAN
3/16"=1'-0"



2
E2
LIGHTING PLAN
3/16"=1'-0"

- (OS) BRYANT (HUBBELL) MSD1000W1 OR EQUAL WALL SWITCH OCCUPANCY SENSOR DUAL (ULTRASONIC AND PASSIVE INFRARED) TECHNOLOGY 1,000 SQUARE FOOT COVERAGE 800W INCANDESCENT, 1000W FLUORESCENT AT 120V AC ALL O.S. TO BE WALL MOUNTED TO ALLOW FOR OCCUPANT MANUAL OVERRIDE
- (1) UNSWITCHED LEG OF CIRCUIT TO BATT PACK, SWITCHED LEG TO NORMAL LED DRIVER

Coastal Plains Engineering, P.A.
 License No. C-26859
 296 LOCKHART RD
 P.O. Box 1117
 Pembroke, NC 28372
 Phone: 810-551-7212
 Fax: 810-551-7213
 www.coastalplainseng.com

EL BURRITO MEXICAN RESTAURANT
 6743 OVERHILLS ROAD
 SPRING LAKE, NC

DRAWINGS AND THE DESIGN ARE THE PROPERTY OF THE ENGINEER. WHETHER THE PROJECT FOR WHICH THEY ARE PREPARED IS EXECUTED OR NOT, THE DRAWINGS SHALL NOT BE USED BY THE PROJECT OWNER OR ANYONE ELSE FOR ANY OTHER PROJECT.

ADA AND LEGAL DISCLAIMER
 THIS DOCUMENT IS INTENDED TO COMPLY WITH THE REQUIREMENTS OF THE AMERICANS WITH DISABILITIES ACT (ADA). ARCHITECTS AND ENGINEERS ARE NOT LICENSED TO INTERPRET LAWS OR ONE ADVICE CONCERNING LAWS OR LEGAL MATTERS. THE OWNER SHOULD HAVE THIS DOCUMENT REVIEWED BY HIS ATTORNEY TO DETERMINE IF IT COMPLES ADA AND OTHER LAWS.

PROJECT NO: 2024-071
 DRAWN BY: AJO
 DATE:
 REVISIONS:

SHEET NO:
E2



Coastal Plains Engineering, P.A.
 License No. C-2009
 205 LOCUST ST. RD.
 P.O. Box 1117 28772
 Pembroke, NC
 Phone: 910-421-7213
 Fax: 910-421-7213
 www.coastalplainseng.com

EL BURRITO MEXICAN RESTAURANT
 6743 OVERHILLS ROAD
 SPRING LAKE, NORTH CAROLINA

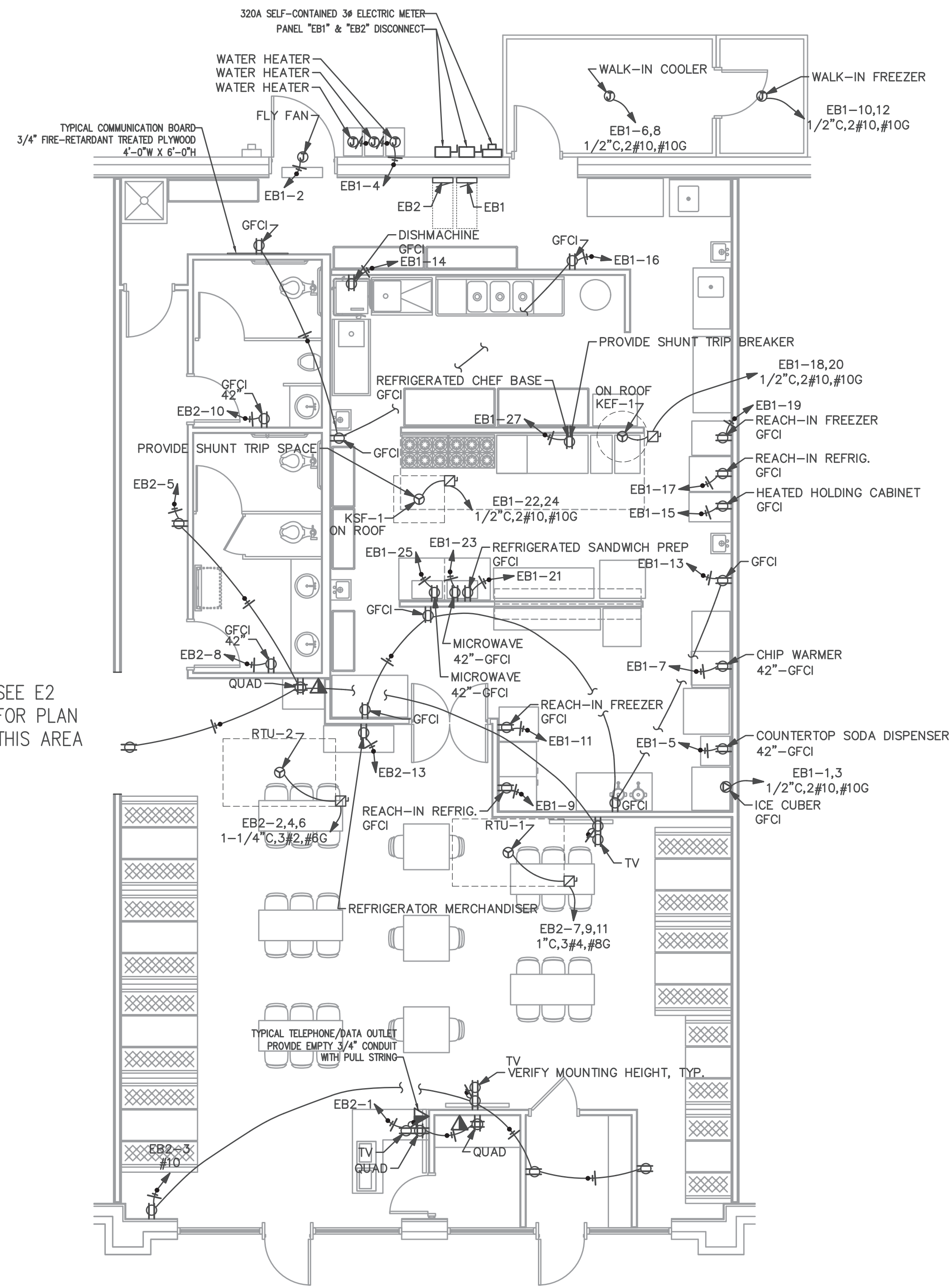
DRAWINGS AND THE DESIGN ARE THE PROPERTY OF THE ENGINEER. WHETHER THE PROJECT FOR WHICH THEY ARE PREPARED IS EXECUTED OR NOT, THE DRAWINGS SHALL NOT BE USED BY THE PROJECT OWNER OR ANYONE ELSE FOR ANY OTHER PROJECT.

ADA AND LEGAL DISCLAIMER
 THIS DOCUMENT IS INTENDED TO COMPLY WITH THE REQUIREMENTS OF THE AMERICANS WITH DISABILITIES ACT (ADA). ARCHITECTS AND ENGINEERS ARE NOT LICENSED TO INTERPRET LAWS OR GIVE ADVICE CONCERNING LAWS OR LEGAL MATTERS. THE OWNER SHOULD HAVE THIS DOCUMENT REVIEWED BY HIS ATTORNEY TO DETERMINE IF IT COMPLES ADA AND OTHER LAWS.

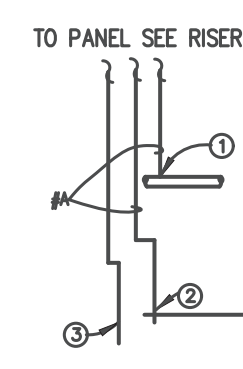
PROJECT NO: 2022-157
 DRAWN BY: WJ/ML
 DATE: CSL
 REVISIONS: 05-16-24

SHEET NO: **E-3**

CONTRACTOR SHALL VERIFY ALL KITCHEN EQUIPMENT POWER REQUIREMENTS AND MOUNTING HEIGHTS OF ELECTRICAL DEVICES AND ALL RECEPTACLES WITH KITCHEN EQUIPMENT PLANS PRIOR TO DOING WORK. ADJUST CIRCUIT AMPACITIES/WIRE SIZE ACCORDINGLY.



SEE E2 FOR PLAN THIS AREA

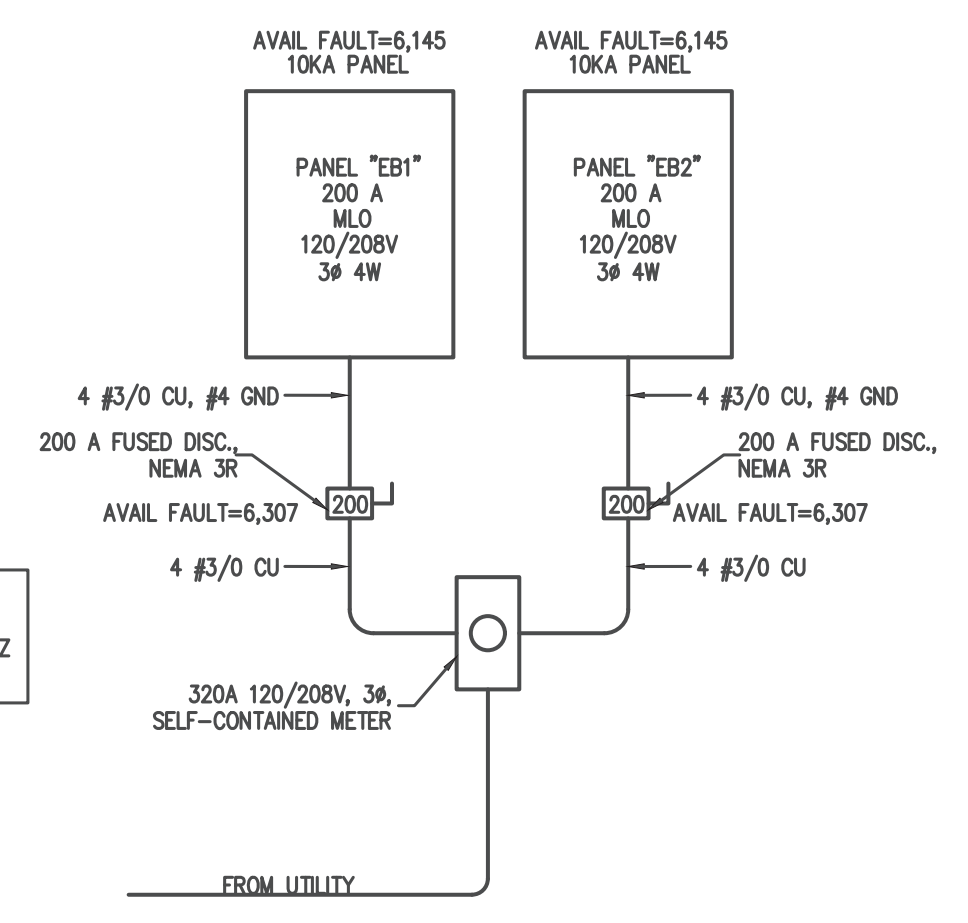


GROUNDING ELECTRODE DETAILS

- GROUNDING ELECTRODE CONDUCTORS SHALL BE #10 BARE COPPER. OTHER MATERIAL AND INSTALLATION PER NEC.
- ① CONNECT TO METALLIC WATER PIPE AS REQ'D.
 - ② #4 COPPER GROUND PLACED TO BLDG STEEL.
 - ③ 3/4"x10' LONG COPPER CLAD GROUNDING ROD W/ #6 COPPER GROUND.

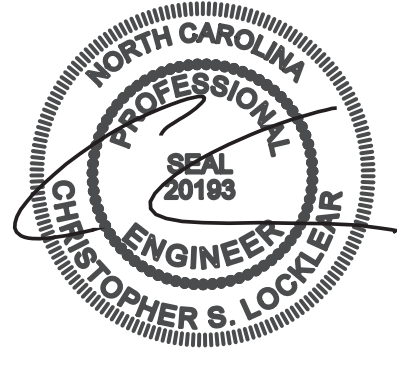
A = #4 CU PANEL EB1
 A = #4 CU PANEL EB2

AVAILABLE FAULT CALCULATIONS
 150'-0" 4 RUNS OF 4 #1/0 AL TO 150 KVIA PADMOUNT TRANSFORMER 4.3KZ 4,756A AT METER



1
E3
POWER PLAN
 3/16"=1'-0"

2
E3
ELECTRIC RISER
 N.T.S.



Coastal Plains Engineering, P.A.
 License No. C-2059
 205 LOCKLEAR RD
 P.O. Box 1117 28672
 Pembroke, NC 28672
 Phone: 910-421-7213
 Fax: 910-421-7213
 www.coastalplainseng.com

EL BURRITO MEXICAN RESTAURANT
 6743 OVERHILLS ROAD
 SPRING LAKE, NORTH CAROLINA

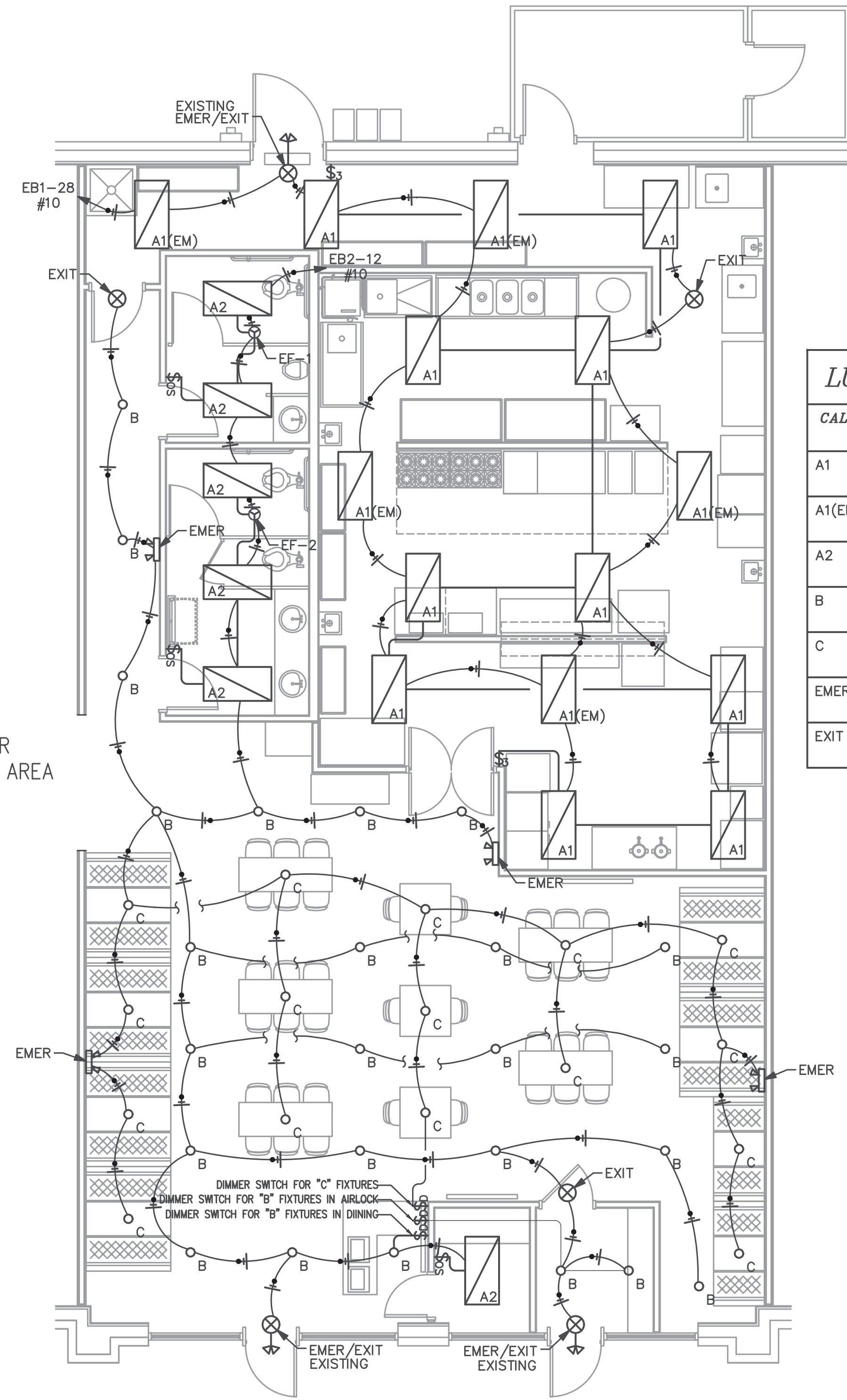
DRAWINGS AND DESIGN ARE THE PROPERTY OF THE ENGINEER. WHENEVER THE PROJECT FOR WHICH THEY ARE PREPARED IS EXECUTED OR NOT, THE DRAWINGS SHALL NOT BE USED BY THE PROJECT OWNER OR ANYONE ELSE FOR ANY OTHER PROJECT.

ADA AND LEGAL DISCLAIMER
 THIS DOCUMENT IS INTENDED TO COMPLY WITH THE REQUIREMENTS OF THE AMERICANS WITH DISABILITIES ACT (ADA). ARCHITECTS AND ENGINEERS ARE NOT LICENSED TO INTERPRET LAWS OR GIVE ADVICE CONCERNING LAWS OR LEGAL MATTERS. THE OWNER SHOULD HAVE THIS DOCUMENT REVIEWED BY HIS ATTORNEY TO DETERMINE IF IT COMPLES ADA AND OTHER LAWS.

PROJECT NO: 2022-157
 DRAWN BY: WJ/ML
 DATE: CSL
 REVISIONS: 05-16-24

SHEET NO: E-4

- \$3 3-WAY WALL MOUNTED LIGHT SWITCH
- \$0 WALL MOUNTED DIMMER SWITCH
- \$0S WALL MOUNTED DUAL TECHNOLOGY OCCUPANCY SENSOR SWITCH



LUMINAIRE SCHEDULE

CALLOUT	SYMBOL	LAMP	DESCRIPTION	BALLAST	MOUNTING	MODEL	INPUT WATTS	VOLTS	NOTE 1	NOTE 2	LUMENS / LAMP
A1		(1) LED	2' X 4' LED TROFFER	ELECTRONIC	RECESSED	METALUX 24GR-LD5-90-F1-UNV-LB40-CD1-U OR EQUAL	69.1	120V 1P 2W			9000
A1(EM)		(1) LED	2' X 4' LED TROFFER WITH EMERGENCY BATTERY PACK	ELECTRONIC	RECESSED	METALUX 24GR-LD5-90-F1-UNV-EL14W-LB40-CD1-U OR EQUAL	69.1	120V 1P 2W			9000
A2		(1) LED	2' X 4' LED TROFFER	ELECTRONIC	RECESSED	METALUX 24GR-LD5-42-F1-UNV-LB40-CD1-U OR EQUAL	34.5	120V 1P 2W			4200
B		(1) LED	6" LED DOWNLIGHT	ELECTRONIC	RECESSED	COOPER HALO HC620D010-HM60525840-61WDC OR EQUAL	20.9	120V 1P 2W	IC RATED		2000
C		(1) LED	LED PENDANT	ELECTRONIC	PENDANT	AS SELECTED BY OWNER, \$250 ALLOWANCE	14	120V 1P 2W			1000
EMER		(2) LED	SQUARE HEAD LED EMERGENCY LIGHT	ELECTRONIC	WALL/CEILING	METALUX AP2SQLED OR EQUAL	1.8	120V 1P 2W	NICKEL CADMIUM 90 MINUTE BATTERY	DAMP LOCATION LISTED	0
EXIT		(1) 1W LED	LED EMERGENCY EXIT	ELECTRONIC	WALL/CEILING	METALUX APX7R OR EQUAL	1	120V 1P 2W	90 MINUTE NICKEL CADMIUM BATTERY	WITH TEST SWITCH AND POWER INDICATOR	0

SEE E2 FOR PLAN THIS AREA

ELECTRICAL DESIGN (PROVIDE ON THE ELECTRICAL SHEETS IF APPLICABLE)
ELECTRICAL SUMMARY

- ELECTRICAL SYSTEM AND EQUIPMENT**
- Method of Compliance: Energy Code Performance Prescriptive
 ASHRAE 90.1 Performance Prescriptive
- Lighting schedule (each fixture type) SEE LUMINAIRE SCHEDULE SHEET E2
- lamp type required in fixture
 - number of lamps in fixture
 - ballast type used in the fixture
 - number of ballasts in fixture
 - total wattage per fixture
 - total interior wattage specified vs. allowed (whole building or space by space) 1,990 WATTS SPECIFIED
 - total exterior wattage specified vs. allowed 2,614 WATTS ALLOWED
- Additional Efficiency Package Options (When using the 2018 NCECC; not required for ASHRAE 90.1)**
- C406.2 More Efficient HVAC Equipment Performance
 - C406.3 Reduced Lighting Power Density
 - C406.4 Enhanced Digital Lighting Controls
 - C406.5 On-Site Renewable Energy
 - C406.6 Dedicated Outdoor Air System
 - C406.7 Reduced Energy Use in Service Water Heating

CONTRACTOR SHALL COORDINATE WITH LOCAL UTILITY FOR SERVICE. A COMPLETE AND WORKING SYSTEM IS REQUIRED FOR COMPLIANCE WITH THESE DOCUMENTS. DETERMINE THE POINT OF CONNECTION TO THE UTILITY WITH THE UTILITY REPRESENTATIVE AND PROVIDE ACCORDINGLY FOR A COMPLETE WORKING SYSTEM.

WIRE AND CABLE SHALL BE INSULATED, TYPE THWN OR THHN, 600 VOLTS, WITH COPPER CONDUCTORS. CONDUCTOR SIZES NO. 8 AWG AND LARGER MAY BE STRANDED. CONDUCTORS SIZES NO. 10 AWG AND SMALLER MAY BE SOLID OR STRANDED. NO ROMEX PERMITTED.

EMT SHALL BE GALVANIZED STEEL TUBING, 1/2-INCH MINIMUM SIZE, EQUAL TO ELECTRUTITE BRAND OR APPROVED AND USED ONLY WITH HEXAGONAL ALL STEEL COMPRESSION FITTINGS.

PLASTIC CONDUIT SHALL BE RIGID, 3/4-INCH MINIMUM NON-METALLIC, HEAVY DUTY, HIGH IMPACT, POLYVINYLCHLORIDE (PVC), TYPE I WILL BE USED FOR CONCRETE ENCASMENT. FITTINGS SHALL BE THE SAME MATERIALS AND MANUFACTURER AS THE PLASTIC CONDUIT.

FLEXIBLE METAL CONDUIT SHALL BE 1/2- INCH MINIMUM SINGLE STRIP- STEEL, HOT DIPPED GALVANIZED INSIDE AND OUTSIDE. MAXIMUM LENGTH 72 INCHES FOR LIGHTING AND 36" FOR MOTORS. FLEXIBLE METAL CONDUIT SHALL BE LIQUIDTIGHT OR WATERIGHT WITH PVC JACKET WHERE USED IN DAMP, WET OR OUTSIDE AREAS, AND LIQUIDTIGHT OR WATERIGHT CONNECTORS SHALL BE USED.

NO RECEPTACLES OR TEL. OUTLETS TO BE MOUNTED BACK TO BACK, KEEP AT LEAST 2 INCHES BETWEEN RECEPTACLES AND TEL. OUTLETS.

ALL CONDUCTOR SHALL BE COPPER WITH A MINIMUM SIZE OF #12 AWG EXCEPT FOR FIRE ALARM. THESE CONDUCTORS SHOULD COMPLY WITH NFPA.

CONTRACTOR SHALL ALIGN FIXTURES, SMOKE DETECTORS, CEILING DIFFUSERS ETC. AS REQUIRED TO PROVIDE A UNIFORM PRESENTATION. AT NO TIME WILL AN IONIZATION DETECTOR BE LOCATED WITHIN 3'-0" OF A SUPPLY OR RETURN AIR GRILLE.

CIRCUIT BREAKERS AND WIRE ARE SIZED FOR SPECIFIC EQUIPMENT. BEFORE ORDERING WIRE, BREAKERS AND CONDUIT FOR THIS PROJECT THE CONTRACTOR SHALL COORDINATE WITH THE OTHER CONTRACTORS ON THE JOB AND VERIFY THE ELECTRICAL DATA FOR THE EQUIPMENT WHICH WILL ACTUALLY BE INSTALLED, RECOMPUTING WIRE AND BREAKER SIZES IF REQUIRED BY THE NEC.

ALL CONDUIT TERMINATING IN THE CEILING CAVITIES IS TO BE LABELED.

ALL CONDUIT SHALL BE COLOR CODED WITH 1/2" WIDE TAPE, 10'-0" ON CENTER IN ACCORDANCE WITH STANDARD INDUSTRY PRACTICE.

THE MOUNTING HEIGHTS AND LOCATIONS OF ALL WALL MOUNTED OUTLETS AND JUNCTION BOXES SHALL BE REVIEWED AND COORDINATED WITH THE ARCHITECT AND OWNER, PRIOR TO INSTALLATION, FOR USE WITH ACTUAL EQUIPMENT.

EACH CONTRACTOR WILL PROVIDE HIS OWN SUPPORT OF ALL DEVICES AND EQUIPMENT PROVIDED BY HIM AND SHALL SUPPORT SUCH EQUIPMENT PER APPROVED GOVERNING CODES OR PER APPROVAL OF THE ENGINEER/ARCHITECT. UNACCEPTABLE WORKMANSHIP OR MATERIALS SHALL BE REPLACED AT THE REQUEST OF THE ENGINEER/ARCHITECT AT THE CONTRACTORS EXPENSE.

THE CONTRACTOR SHALL REFER TO THE ARCHITECTURAL PLANS FOR FLOOR PLAN DIMENSIONS.

THE CONTRACTOR SHALL COORDINATE ANY AND ALL WORK WITH OTHER TRADES INVOLVED IN THIS PROJECT PRIOR TO THE INSTALLATION OF HIS EQUIPMENT, SO AS TO AVOID CONFLICTS DURING CONSTRUCTION AND ALLOW FOR OPTIMUM WORKING SPACE AND MAINTENANCE.

ALL FUSES DISCONNECT SWITCHES AND BREAKER SIZES SHOWN FOR MECHANICAL EQUIPMENT SHALL BE VERIFIED BEFORE PURCHASE AND INSTALLATION OF SAID EQUIPMENT WITH THE EQUIPMENT SUPPLIER AND MECHANICAL CONTRACTOR.

WHERE EQUIPMENT PENETRATES EXTERIOR WALL OR ROOF THEY SHALL BE PROPERLY SEALED WITH METHODS APPROVED BY THE ARCHITECT/ENGINEER.

ALL WORK IS TO BE DONE IN STRICT COMPLIANCE WITH THE LATEST VERSION OF THE NEC AND APPLICABLE STATE CODES

RECESSED FIXTURES INSTALLED IN RATED ASSEMBLIES SHALL BE INSTALLED WITH AN ENCLOSURE SO AS TO MAINTAIN THE RATING OF ASSEMBLY.

2 ELECTRICAL NOTES
 N.T.S.

1 LIGHTING PLAN
 3/16"=1'-0"