

## DO MORE, WITHOUT PAYING FOR MORE.

When it comes to performance and value, nothing beats Hayward TriStar pumps. With best-in-class hydraulic technology, they outpace competing pumps—even those with higher horsepower. Add to that a servicer-friendly design and an easy-clean debris basket, and it's no wonder TriStar pumps continue to set the industry standard for efficiency and value.

### KEY FEATURES

- » **Superior hydraulic efficiency** delivers higher performance at lower horsepower
- » **Extra-large, no-rib debris basket** offers greater capacity for less frequent maintenance
- » **Standard union connections (2" x 2.5")** make installation and servicing fast and easy
- » **Self-priming design** offers suction lift up to 10' above waterline

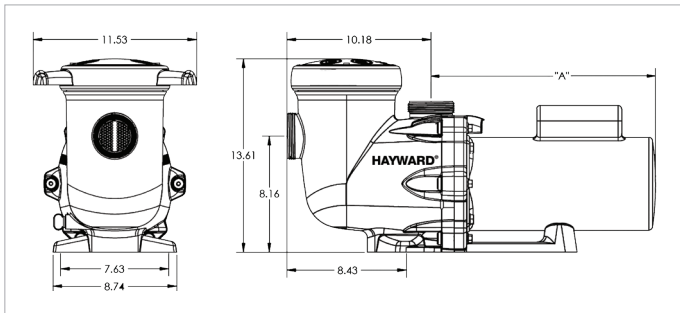


### SPECIFICATIONS

MODEL NUMBER	TOTAL HORSEPOWER	VOLTAGE	UNION CONNECTIONS	DIMENSION "A"	WEIGHTED ENERGY FACTOR (WEF)*
SP3200X10	1.1	115/208-230	2" x 2 1/2"	13 5/8"	4.0
SP3250EE	5.0	208-230	2" x 2 1/2"	17 1/8"	1.7

\*The higher the weighted energy factor (WEF), the more efficient the pump. Visit [hayward.com/regulations](http://hayward.com/regulations) for more information.

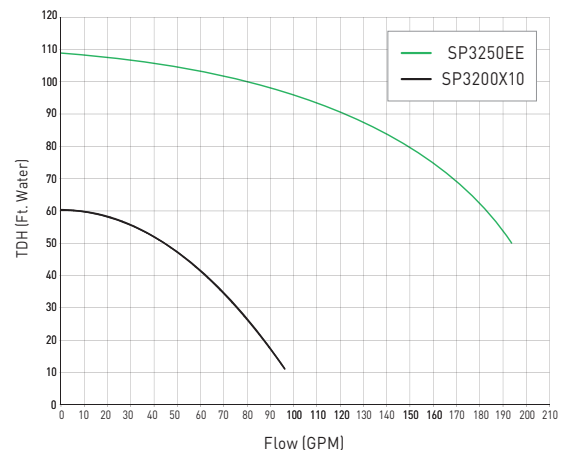
### TRISTAR SERIES DIMENSIONS (INCHES)



TriStar pumps are listed by:



### TRISTAR FLOW VS. TOTAL HEAD



# FuIFloXF™

## Backwash Valve

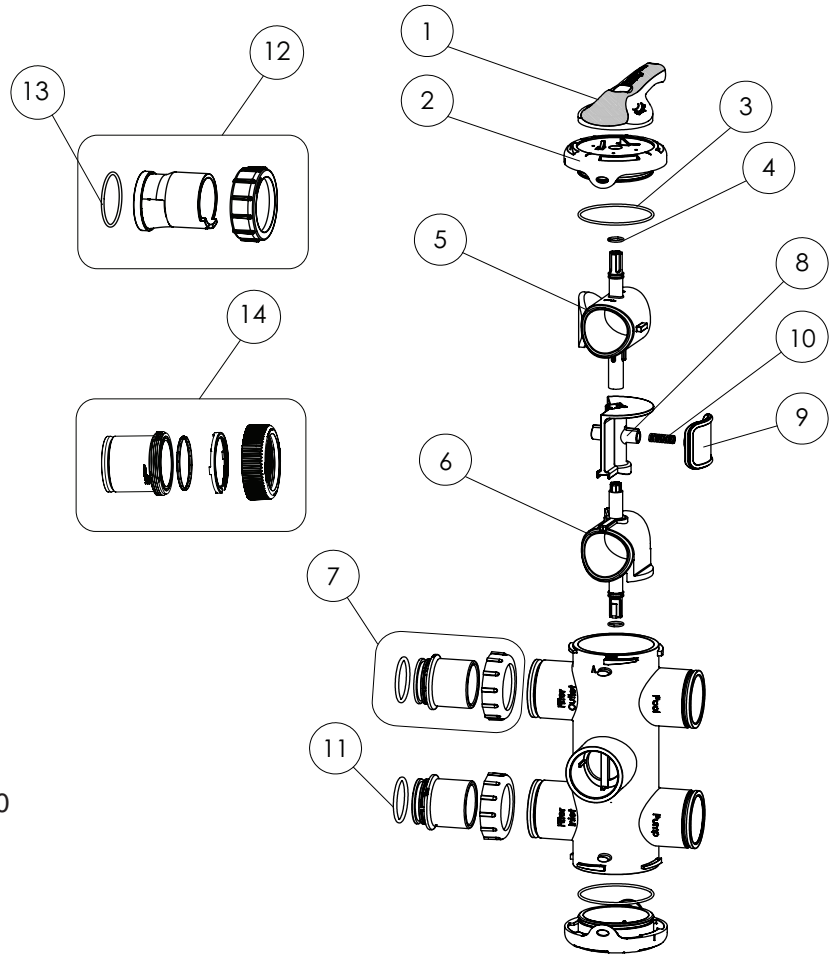


## Installation and User's Guide

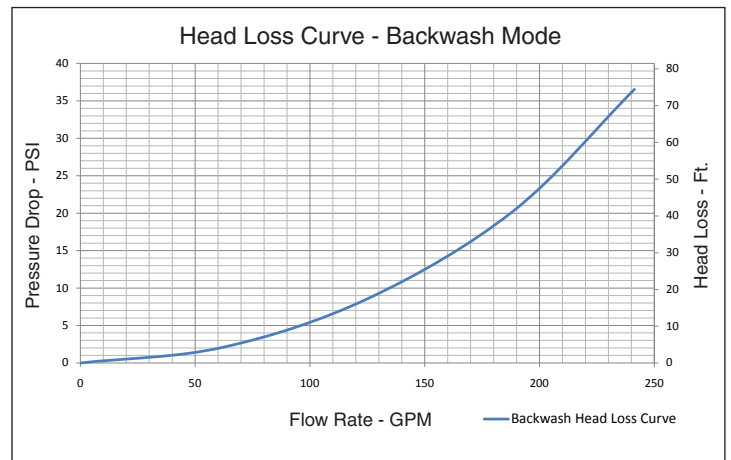
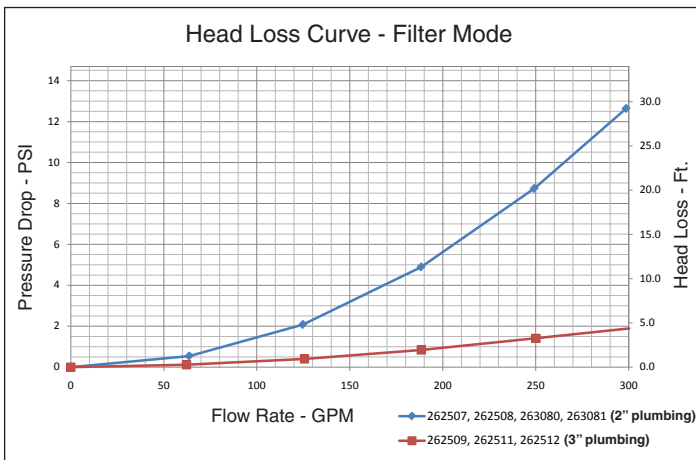
IMPORTANT SAFETY INSTRUCTIONS  
*READ AND FOLLOW ALL INSTRUCTIONS*  
SAVE THESE INSTRUCTIONS

# Replacement Parts



Item No.	Part No.	Description
1	270187z	Handle
2	270190z	End Cap, 2 required
3	270197z	O-Ring #2-244 Buna (two required)
4	192039	O-Ring #2-116 Buna (two required)
5	270199z	Outlet Diverter
6	270200z	Inlet Diverter
7	274426z	Pentair Union Assembly
8	274416z	Center Diverter
9	274417z	Waste Seal
10	274421z	Waste Seal Spring
11	274494	O-Ring #2-332 Buna
12	261067z	Sta-Rite Union Assembly
13	U9-362	O-Ring #2-231 Buna
14	411101z	XF Union Kit
<i>(Not Shown)</i>		
-	270514z	Rebuild Kit: Items 3 (Qty. 2), 4 (Qty. 2), 5, 7, 10
-	270513z	O-Ring Kit: Items 3 (Qty. 2), 4 (Qty. 2)



## Valve Head Loss Curves



# Valve & Filter Connection Guide

	PENTAIR	STA-RITE	XF FILTERS																																									
<b>Filter Inlet- BOTTOM</b>	P/N 263081	P/N 262508	P/N 262512																																									
																																												
	<table border="1"> <thead> <tr> <th>Filter P/N</th> <th>Pentair Filters</th> </tr> </thead> <tbody> <tr> <td>180006</td> <td>FNS Plus FN5P24</td> </tr> <tr> <td>180007</td> <td>FNS Plus FN5P36</td> </tr> <tr> <td>180008</td> <td>FNS Plus FN5P48</td> </tr> <tr> <td>180009</td> <td>FNS Plus FN5P60</td> </tr> </tbody> </table>	Filter P/N	Pentair Filters	180006	FNS Plus FN5P24	180007	FNS Plus FN5P36	180008	FNS Plus FN5P48	180009	FNS Plus FN5P60	<table border="1"> <thead> <tr> <th>Filter P/N</th> <th>Sta-Rite Filters</th> </tr> </thead> <tbody> <tr> <td>S7D75</td> <td>System 3 DE Filter</td> </tr> <tr> <td>S8D110</td> <td>System 3 DE Filter</td> </tr> <tr> <td>S7S50</td> <td>System 3 Sand Filter</td> </tr> <tr> <td>S8S70</td> <td>System 3 Sand Filter</td> </tr> </tbody> </table>	Filter P/N	Sta-Rite Filters	S7D75	System 3 DE Filter	S8D110	System 3 DE Filter	S7S50	System 3 Sand Filter	S8S70	System 3 Sand Filter	<table border="1"> <thead> <tr> <th>Filter P/N</th> <th>XF Filters</th> </tr> </thead> <tbody> <tr> <td>188626</td> <td>XF Q-60 DE</td> </tr> <tr> <td>188627</td> <td>XF Q-80 DE</td> </tr> <tr> <td>188613</td> <td>XF Q-100 DE</td> </tr> <tr> <td>188616</td> <td>XF Q-120 DE</td> </tr> </tbody> </table>	Filter P/N	XF Filters	188626	XF Q-60 DE	188627	XF Q-80 DE	188613	XF Q-100 DE	188616	XF Q-120 DE	<table border="1"> <thead> <tr> <th>Filter P/N</th> <th>XF Filters</th> </tr> </thead> <tbody> <tr> <td>188618</td> <td>XF F-36 DE</td> </tr> <tr> <td>188619</td> <td>XF F-48 DE</td> </tr> <tr> <td>188620</td> <td>XF F-60 DE</td> </tr> <tr> <td>188621</td> <td>XF F-72 DE</td> </tr> </tbody> </table>	Filter P/N	XF Filters	188618	XF F-36 DE	188619	XF F-48 DE	188620	XF F-60 DE	188621	XF F-72 DE
	Filter P/N	Pentair Filters																																										
	180006	FNS Plus FN5P24																																										
180007	FNS Plus FN5P36																																											
180008	FNS Plus FN5P48																																											
180009	FNS Plus FN5P60																																											
Filter P/N	Sta-Rite Filters																																											
S7D75	System 3 DE Filter																																											
S8D110	System 3 DE Filter																																											
S7S50	System 3 Sand Filter																																											
S8S70	System 3 Sand Filter																																											
Filter P/N	XF Filters																																											
188626	XF Q-60 DE																																											
188627	XF Q-80 DE																																											
188613	XF Q-100 DE																																											
188616	XF Q-120 DE																																											
Filter P/N	XF Filters																																											
188618	XF F-36 DE																																											
188619	XF F-48 DE																																											
188620	XF F-60 DE																																											
188621	XF F-72 DE																																											
<b>Filter Inlet - TOP</b>	PENTAIR	STA-RITE																																										
	P/N 263080	P/N 262507																																										
																																												
	<table border="1"> <thead> <tr> <th>Filter P/N</th> <th>Pentair Filters</th> </tr> </thead> <tbody> <tr> <td>188592</td> <td>Quad DE 60</td> </tr> <tr> <td>188593</td> <td>Quad DE 80</td> </tr> <tr> <td>188594</td> <td>Quad DE 100</td> </tr> <tr> <td>140212</td> <td>TR 60 Sand</td> </tr> <tr> <td>140236</td> <td>TR 40 Sand</td> </tr> <tr> <td>140249</td> <td>TR 50 Sand</td> </tr> </tbody> </table>	Filter P/N	Pentair Filters	188592	Quad DE 60	188593	Quad DE 80	188594	Quad DE 100	140212	TR 60 Sand	140236	TR 40 Sand	140249	TR 50 Sand	<table border="1"> <thead> <tr> <th>Filter P/N</th> <th>Pentair Filters</th> </tr> </thead> <tbody> <tr> <td>140264</td> <td>TR 60 Sand</td> </tr> <tr> <td>140210</td> <td>TR 100 Sand</td> </tr> <tr> <td>140243</td> <td>TR 140 Sand</td> </tr> <tr> <td>140335</td> <td>TR 100 HD</td> </tr> <tr> <td>140315</td> <td>TR 100C Sand</td> </tr> <tr> <td>140316</td> <td>TR 140C Sand</td> </tr> </tbody> </table>	Filter P/N	Pentair Filters	140264	TR 60 Sand	140210	TR 100 Sand	140243	TR 140 Sand	140335	TR 100 HD	140315	TR 100C Sand	140316	TR 140C Sand	<table border="1"> <thead> <tr> <th>Filter P/N</th> <th>Sta-Rite Filters</th> </tr> </thead> <tbody> <tr> <td>PLDE 36</td> <td>System 2 Mod DE</td> </tr> <tr> <td>PLDE48</td> <td>System 2 Mod DE</td> </tr> <tr> <td>S7MD60</td> <td>System 3 Mod DE</td> </tr> <tr> <td>S7MD72</td> <td>System 3 Mod DE</td> </tr> </tbody> </table>	Filter P/N	Sta-Rite Filters	PLDE 36	System 2 Mod DE	PLDE48	System 2 Mod DE	S7MD60	System 3 Mod DE	S7MD72	System 3 Mod DE			
Filter P/N	Pentair Filters																																											
188592	Quad DE 60																																											
188593	Quad DE 80																																											
188594	Quad DE 100																																											
140212	TR 60 Sand																																											
140236	TR 40 Sand																																											
140249	TR 50 Sand																																											
Filter P/N	Pentair Filters																																											
140264	TR 60 Sand																																											
140210	TR 100 Sand																																											
140243	TR 140 Sand																																											
140335	TR 100 HD																																											
140315	TR 100C Sand																																											
140316	TR 140C Sand																																											
Filter P/N	Sta-Rite Filters																																											
PLDE 36	System 2 Mod DE																																											
PLDE48	System 2 Mod DE																																											
S7MD60	System 3 Mod DE																																											
S7MD72	System 3 Mod DE																																											

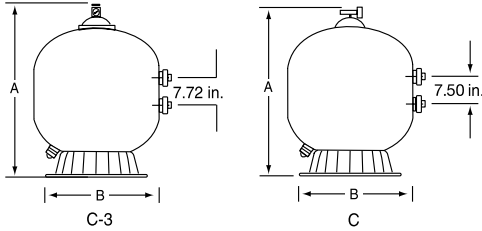
# TRITON® C SERIES COMMERCIAL SAND FILTERS

## TRITON HD FILTER

The Triton heavy duty (HD) filter is a thirty-inch fiberglass filter that offers a maximum operating pressure of 75 PSI. This filter is specifically designed for special high-pressure commercial applications that require up to 98 gpm, and is ideal for all heavy-duty commercial applications.

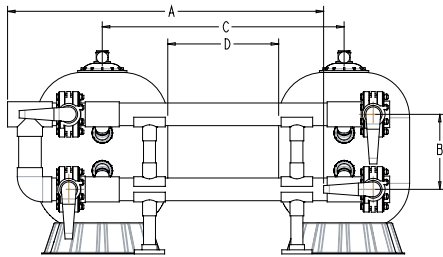


TR100 HD



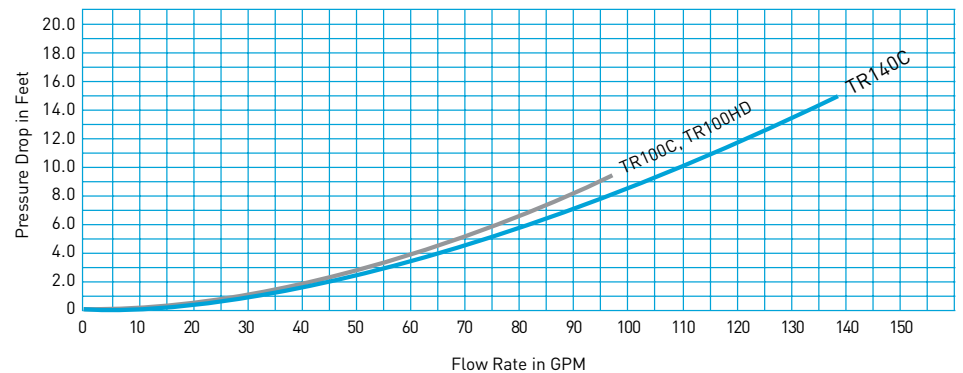
Triton Commercial Series Sand Filter Specifications								
Model Number	Filter Area Sq. Ft.	Flow Rate	Turnover Capacity Gallons		Dimension		Media Required	
		15 GPM/sq. ft.*	6 Hours	8 Hours	A	B	Sand	Sand/Gravel
TR100C	4.91	74	26,640	35,520	39 3/4"	30 1/2"	600 lbs.	450 lbs./150 lbs.
TR140C	7.06	106	38,160	50,880	45 1/4"	36 1/2"	925 lbs.	650 lbs./275 lbs.
TR100C-3	4.91	74	26,640	35,520	39 3/4"	30 1/2"	600 lbs.	450 lbs./150 lbs.
TR140C-3	7.06	106	38,160	50,880	45 1/4"	36 1/2"	925 lbs.	650 lbs./275 lbs.

\*15 GPM/sq. ft. typical commercial flow rate.



Two Filter System	A	B	C	D	Total Wt.
3" —TR100C	82 3/4"	17 15/16"	48" Min.	18" Min.	2,300 lbs.
3" —TR140C	88 3/8"	17 15/16"	54" Min.	18" Min.	3,200 lbs.
4" —TR140C	95 3/4"	19 35/64"	54" Min.	18" Min.	2,300 lbs.
6" —TR140C	111 3/4"	24 7/32"	54" Min.	18" Min.	3,550 lbs.

Note: 6" piping needs to be rotated upward as shown at 25° so handle will clear the floor.



1620 HAWKINS AVE, SANFORD, NC 27330 800.831.7133 WWW.PENTAIRCOMMERCIAL.COM

All Pentair trademarks and logos are owned by Pentair, Inc. Triton® is a registered trademark of Pentair Water Pool and Spa, Inc. and/or its affiliated companies in the United States and/or other countries. Because we are continuously improving our products and services, Pentair reserves the right to change specifications without prior notice. Pentair is an equal opportunity employer.



# RAINBOW™

## HIGH CAPACITY CHLORINE/ BROMINE FEEDERS

- Designed for ease of use and simple maintenance
- Drain valve allows easier draining for safer recharging or winterizing
- Standard threaded inlet and outlet fittings included for easy installation

HC-3340  
40 lb. capacity

HC-3330  
30 lb. capacity

HC-3315  
15 lb. capacity



### THE PERFORMANCE LEADER IN AUTOMATIC SANITIZATION FOR LARGE RESIDENTIAL AND COMMERCIAL POOLS

The INLET control valve side of the feeder connects to the plumbing on the discharge side of the pump, before the filter. The OUTLET side of the feeder connects to the pool return line after the filter and/or heater, pool cleaner, diverter valves, or any other installed equipment. Installation of a corrosion-resistant check valve such as #R172288 by Pentair between the feeder inlet and outlet and the equipment is strongly recommended to check backflow of chemicals. This helps ensure equipment longevity.

### AVAILABLE FROM:



1620 HAWKINS AVE, SANFORD, NC 27330 800.831.7133 WWW.PENTAIRPOOL.COM

All Pentair trademarks and logos are owned by Pentair, Inc. Rainbow™ is a trademark of Pentair Water Pool and Spa, Inc. and/or its affiliated companies in the United States and/or other countries. Because we are continuously improving our products and services, Pentair reserves the right to change specifications without prior notice. Pentair is an equal opportunity employer.

pumps • filters • heaters • heat pumps • automation • lighting • cleaners • sanitizers • water features • maintenance products

1/14 Part # R5-1012 ©2014 Pentair Water Pool and Spa, Inc. All rights reserved.



### MODELS & SPECIFICATIONS

Model	HC-3315	HC-3330	HC-3340	
Part Number	R171215	R171230	R171240	
Height	21.5"	39.125"	49.75"	
Width	8"	8"	8"	
Depth	15"	15"	15"	
Maintenance Clearance	22.75"	40.375"	51"	
Capacity (lbs.)	15	30	40	
@ 100% Setting	Flow rate (GPM)	34	34	11.5
	Maximum Output Rate, Chlorine* (lbs./hr.)-Pool at listed flowrate	2.8	4.6	3.0
	Maximum Output Rate, Chlorine* (lbs./hr.)-Spa at listed flowrate	4.8	7.9	5.7
	Maximum Output Rate, Bromine* (lbs./hr.)-Pool at listed flowrate	0.6	1.1	1.7
@ 50% Setting	Flow rate (GPM)	17.8	17.8	9.2
	Output Rate, Chlorine* (lbs./hr.)-Pool at listed flowrate	2.1	3.4	2.6
	Output Rate, Chlorine* (lbs./hr.)-Spa at listed flowrate	1.8	3.0	5.4
	Output Rate, Bromine (lbs./hr.)-at listed flowrate	0.3	0.6	0.9
Maximum Pool Size @ 34 GPM (Chlorine-Gals)	224,000	369,000	658,500	
Maximum Pool Size @ 34 GPM (Bromine-Gals)	99,200	164,000	292,600	

Maximum working pressure – 50 psi

\* Results based on use of 1" Trichlor tablets

# WHEN ACCURACY IS CRITICAL, DON'T JUST TAKE OUR WORD FOR IT!



NSF - 50 CERTIFIED  
**L1**

FlowVis® was the first - and is now the most - NSF 50 certified flow meter in the world! Because when accuracy matters, you should put your trust in the experts.

## FLOWVIS® MODELS

Feature	FV-15	FV-15-U	FV-2	FV-2-U	FV-25	FV-3	FV-3-40	FV-4	FV-6	FV-8
NSF 50 Certified	✓	✓	✓	✓	✓	✓	✓	✓	✓	-
Pipe Size	1.5"	1.5"	2"	2"	2.5"	3"	3"	4"	6"	8"
Operating Range (GPM)	10-80	10-90	10-110	10-110	10-110	70-240	70-240	150-460	300-1000	600-1800
Average Accuracy	98.7%	98.7%	99.4%	99.0%	99.2%	98.9%	99.2%	99.6%	98.1%	N/A*
NSF 50 Level	L1	L1	L1	L1	L1	L1	L1	L1	L1	L1

\*FlowVis® model FV-8 is available only with FlowVis® Digital upgrade included. For accuracy of this model, refer to the FV-8 information in the FlowVis Digital table below.

## FLOWVIS® DIGITAL MODELS

Feature	FV-15	FV-15-U	FV-2	FV-2-U	FV-25	FV-3	FV-3-40	FV-4	FV-6	FV-8
NSF 50 Certified	✓	✓	✓	✓	✓	✓	✓	✓	✓	✓
Pipe Size	1.5"	1.5"	2"	2"	2.5"	3"	3"	4"	6"	8"
Operating Range (GPM)	10-80	10-90	10-110	10-110	10-110	70-240	70-240	150-460	300-1000	600-1800
Average Accuracy	98.6%	99.0%	98.8%	98.5%	98.3%	98.4%	98.0%	98.3%	98.9%	98.9%
NSF 50 Level	L1	L1	L1	L1	L1	L1	L1	L2	L1	L1

**NOTE:** FlowVis is the only NSF 50 certified Level 1 flow meter in the world today.

### Guide for NSF 50 Accuracy Levels

- Level 1 (L1):** Average of absolute values of all single point deviations must be  $\leq 2\%$ . Single point deviations shall not exceed  $\pm 4\%$ .
- Level 2 (L2):** Average of absolute values of all single point deviations must be  $\leq 5\%$ . Single point deviations shall not exceed  $\pm 7.5\%$ .
- Level 3 (L3):** Average of absolute values of all single point deviations must be  $\leq 10\%$ . Single point deviations shall not exceed  $\pm 12.5\%$ .
- Level 4 (L4):** Average of absolute values of all single point deviations must be  $\leq 12.5\%$ . Single point deviations shall not exceed  $\pm 15\%$ .
- Level 5 (L5):** Average of absolute values of all single point deviations must be  $\leq 15\%$ . Single point deviations shall not exceed  $\pm 20\%$ .

# 9" SQUARE MOFLOW™ SUCTION OUTLET COVER AND MUD FRAME



**VGB CERTIFIED  
SPECIFICATIONS**

**Floor Flow Rating**  
258 GPM at 2.3 fps

**Wall Flow Rating**  
274 GPM at 2.4 fps

**Sump Depth**  
3" minimum

**Open Area**  
36.8 in<sup>2</sup>

## FEATURES

All components meet or exceed ANSI/APSP 16-2011 and NSF/ANSI 50-2009a national standards and ASTM G154 UV testing exposure

Easily and safely retrofits to 9" square 3/4" deep frames

Manufactured from superior UV-resistant engineered polymers

#316 stainless steel screws

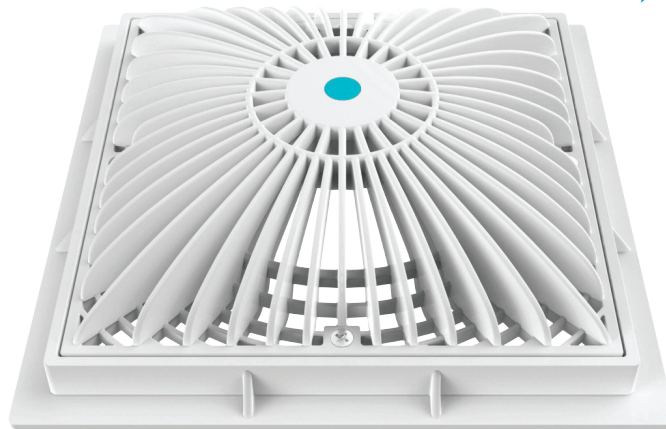
Trademarked VGB compliance button easily identifies VGB 2008 compliant cover from on deck and underwater

Online product support including downloadable CAD files, General Certificate of Conformity, third-party certificate, installation instructions and more

Replace drain cover every five years from the date of installation

See next page for additional product configurations

8 per case



Part # 9MFxxx

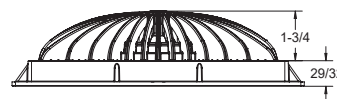
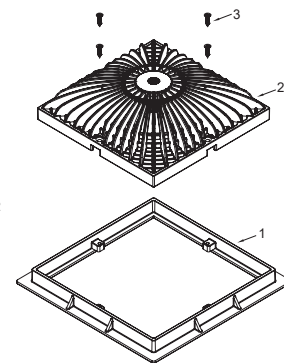
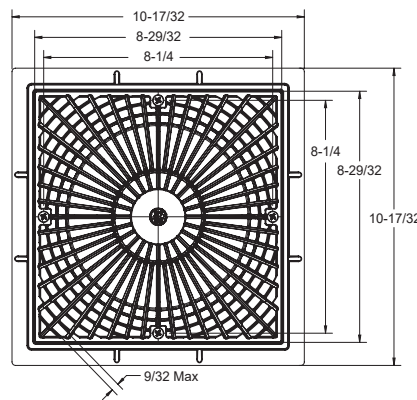
Fits: AquaStar 9" standard models and American (Pentair) with 3/4" deep existing frames and four screw hole pattern.

## STANDARD COLORS

- 9MF101 – White
- 9MF102 – Black
- 9MF103 – Light Gray
- 9MF104 – Blue
- 9MF105 – Dark Gray
- 9MF108 – Tan

Replaces p/n 9xxx, P9xxx, SRF59xxx, SUN9xxx, SUN9WRxxx, WAV9xxx, WAV9WRxxx

**VGB 2008 Compliant**



1. 9" Square Mud Frame
2. 9" Square MoFlow Suction Outlet Cover
3. 10 x 3/4" Flat Head Phillips, 316 SS, Qty 4

P 877-768-2717 F 877-276-POOL Outside the US: P +1-949-336-1940 F +1-949-336-1940  
info@aquastarpoolproducts.com www.aquastarpoolproducts.com



# 9" SQUARE MOFLOW™ SUCTION OUTLET COVER WITH 3" SOCKET SUMP



**VGB CERTIFIED SPECIFICATIONS**

**Floor Flow Rating**  
258 GPM at 2.3 fps

**Wall Flow Rating**  
274 GPM at 2.4 fps

**Sump Depth**  
*Use sump included*

**Open Area**  
36.8 in<sup>2</sup>

## FEATURES

All components meet or exceed ANSI/APSP 16-2011 and NSF/ANSI 50-2009a national standards and ASTM G154 UV testing exposure

Sump manufactured from strong PVC sump with 3" socket and 4" spigot side port, and 2" socket 2 1/2" spigot bottom port

Manufactured from superior UV-resistant engineered polymers

Comes with 3" and 2" NPT cap with o-ring for pressure testing and winterizing

#316 stainless steel screws

Trademarked VGB compliance button easily identifies VGB 2008 compliant cover from on deck and underwater

Online product support including downloadable CAD files, General Certificate of Conformity, third-party certificate, installation instructions and more

Replace drain cover every five years from the date of installation

1 per case

**NEW** Hassle-free pressure testing and winterizing



Optional 2" hydrostatic relief valve available p/n SK43101

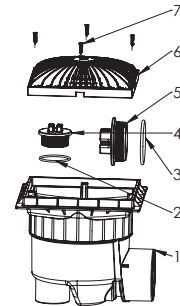
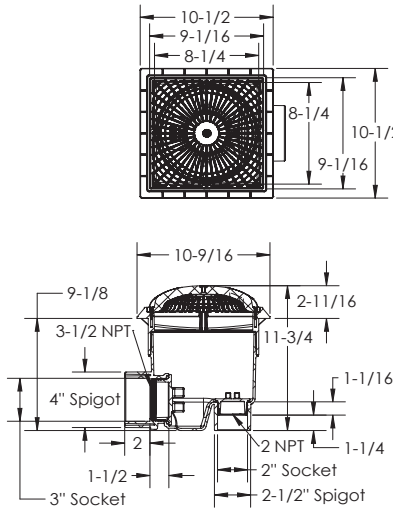
**Hassle-free pressure testing and winterizing**  
Comes with a 3" and 2" NPT cap with O-ring. *No knock-outs required.*

Part # 9MFxxxSSB

## STANDARD COLORS

- 9MF101SSB – White
- 9MF102SSB – Black
- 9MF103SSB – Light Gray
- 9MF104SSB – Blue
- 9MF105SSB – Dark Gray
- 9MF108SSB – Tan

**VGB 2008 Compliant**

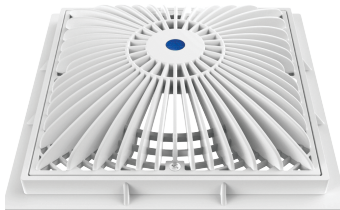


1. Side Port Sump Bucket, 9" Square Frame
2. 2" NPT Plug O-Ring
3. 3" NPT Plug O-Ring
4. 3" NPT Plug
5. 2" NPT Plug
6. 9" Square MoFlow Suction Outlet Cover
7. 10 x 3/4" Flat Head Phillips, 316 SS, Qty 4

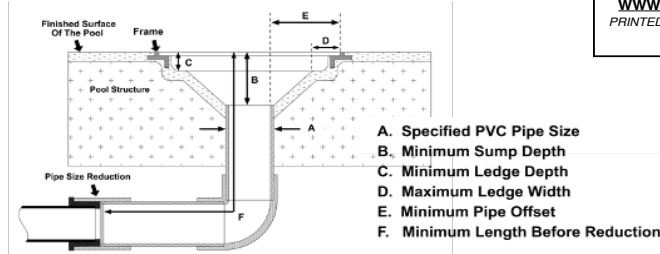
P 877-768-2717 F 877-276-POOL Outside the US: P +1-949-336-1940 F +1-949-336-1940  
 info@aquastarpoolproducts.com www.aquastarpoolproducts.com

**DIRECTIONS:** Please follow the SOFA specific flow rates, sump specifications, and flow path zone information below. The installation must conform to these minimum/maximum requirements including the SOFA dimension defined in Figure 1. The flow path zone is defined by dimensions A through E. The installed sump may be manufactured or field-built and it may be larger/deeper than Figure 1. Please write the Cover Model Number, orientation, and SOFA Model Flow Rating on the *VGBA DRAIN COVER IDENTIFICATION INFORMATION* label that comes with each AquaStar Pool Products, Inc. drain cover.

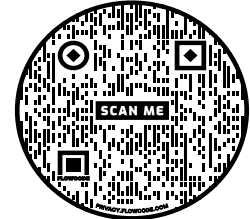
**Cover Model Number:**  
**9MFxxx**



**FIGURE 1 – SOFA MODEL & FLOW PATH**

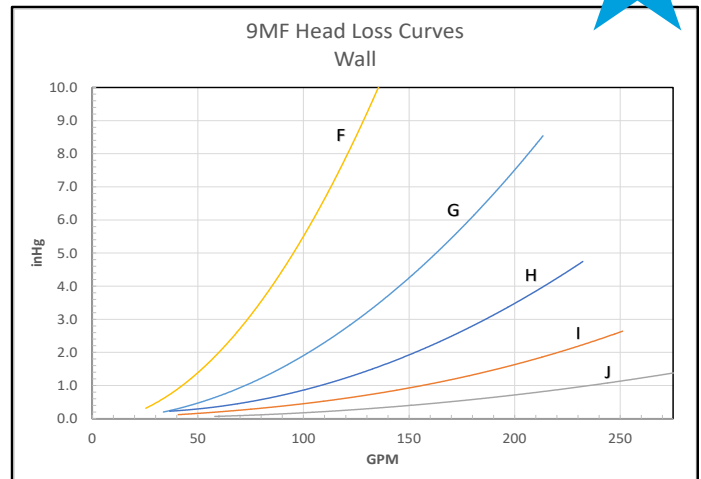
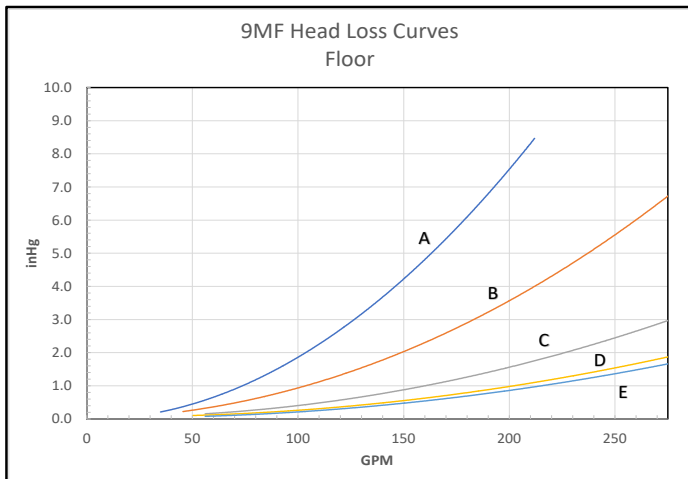


FOR MOST CURRENT INFORMATION  
 SCAN THE QR CODE OR VISIT  
[WWW.AQUASTARPOOLPRODUCTS.COM/FLOWCODE](http://WWW.AQUASTARPOOLPRODUCTS.COM/FLOWCODE)  
 PRINTED DOCUMENTS MAY NOT HAVE THE MOST CURRENT FLOW  
 RATINGS OR INSTALLATION OPTIONS.



SOFA Model No.	Pipe Size (Nominal)	Pipe Depth (Minimum)	Orientation (Wall / Floor)	Flow Rating (GPM)	Head Loss Curve
9MF-9f_A-2b_B3_C1.6_D0.5_E2.8_F16	2" (b)	3"	Floor (f)	170	A
9MF-9f_A-2.5b_B3_C1.6_D0.5_E2.6_F16	2.5" (b)	3"	Floor (f)	186	B
9MF-9f_A-3b_B3_C1.6_D0.5_E2.5_F16	3" (b)	3"	Floor (f)	275	C
9MF-9f_A-4s_B5.6_C1.6_D0.5_E1.7_F16	4" (s)	5.6"	Floor (f)	258	D
9MF-9f_A-4b_B9.8_C1.6_D0.5_E1.8_F16	4" (b)	9.8"	Floor (f)	275	E
9MF-9w_A-1.5b_B3_C1.6_D0.5_E0.6_F16	1.5" (b)	3"	Wall (w)	126	F
9MF-9w_A-2b_B3_C1.6_D0.5_E2.8_F16	2" (b)	3"	Wall (w)	170	G
9MF-9w_A-2.5b_B3_C1.6_D0.5_E2.6_F16	2.5" (b)	3"	Wall (w)	186	H
9MF-9w_A-3b_B3_C1.6_D0.5_E2.5_F16	3" (b)	3"	Wall (w)	200	I
9MF-9w_A-4b_B9.8_C1.6_D0.5_E1.8_F16	4" (b)	9.8"	Wall (w)	275	J

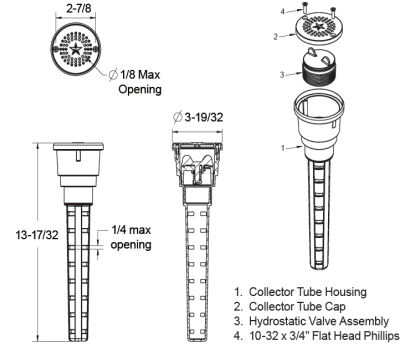
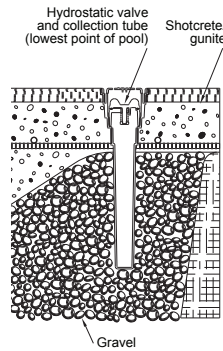
Note 1: "SOFA Model No" nomenclature; bottom pipe = (b), sde pipe = (s). See Fig 1 for capital letters A through E  
 Note 2: Head loss inHg is measured 16 to 24 inches from the finish surface of the pool. Reference Fig 1 dimension F.



## Self-Contained Hydrostatic Valve Assembly



**Part # HVCxxx**



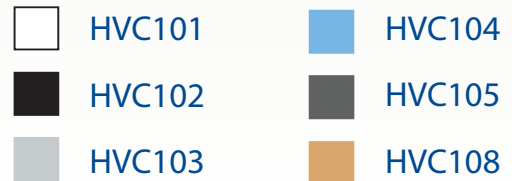
### FEATURES

- Self-contained unit has a built-in collector tube
- Installs directly into the pool finish with no additional plumbing connection required
- Helps prevent swimming pool damage due to hydrostatic pressure beneath the pool shell when the pool is drained

12 per case

HVC05xxx – Cap and Screws

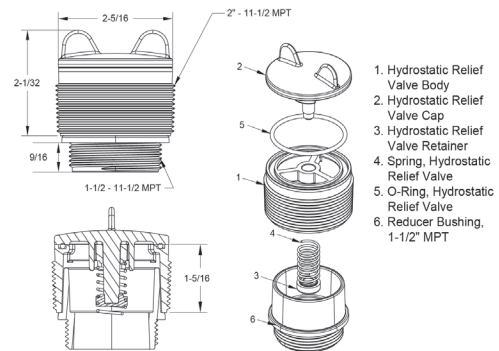
### STANDARD COLORS



## 2" Hydrostatic Relief Valve



**Part # HVxxx**

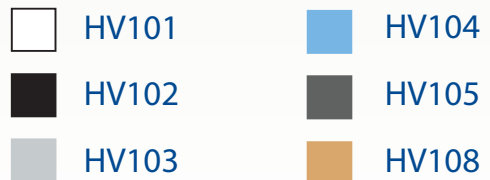


### FEATURES

- Equalizes pressure for high water tables
- Fins enable easy twist for installation and removal
- Fits any AquaStar and most other manufacturers' 2" threads
- Manufactured from superior UV-resistant engineered polymers
- Includes 2" x 1 1/2" reducer bushing
- Reducer bushing must be glued into hydrostatic relief valve using ABS glue

25 per case

### STANDARD COLORS



# FLOW STAR® SKIMMER WITH WATER STOP FACE, FLOAT ASSEMBLY, BASKET, LID AND ADJUSTABLE COLLAR



Built in conformance with NSF 50 and SPS 3 standards



## FEATURES

### Adjustable collar

New weir clip lock secures the clips in the weir door

Self-contained gunite grip, water stop on the faceplate to prevent water leaks

Large self-contained basket with lock-in feature (will not float)

Underwater dampers on the faceplate for noise reduction on weir plate – especially on windy days

Super strong engineered polymer upper housing

Extra heavy duty PVC lower unit (no transitional glue required)

2½" outside slip and 2" inside slip (outside skimmer)

2" threads for pressure testing (inside skimmer)

Built-in overflow or fill line knock out

Upper housing has pre-cut rebar cutouts with pre-drilled holes for tie wire

Skimmer Lid and Collar G154 UV tested

NSF 50 approved for commercial use, 25 GPM min, 55 GPM max – approved for residential use up to 100 GPM

See page 212 for code compliance and sizing

Optional custom name/logo engraved on the lid (requires minimum 500 piece lid order)

See page 157 for Skimmer with Ozone Port  
1 per case

## Three lid options available (sold separately): round, square or snap-in round/square



Optional vacuum plate with snap-in lug can be glued in under lid for easy storage p/n SK43101



Optional BFB adapter converts skimmer fittings to 4" or 3" tee for improved hydraulics and code compliance p/n BFB101

Part # SKR1xx

For vinyl and fiberglass options, see pages 138-143

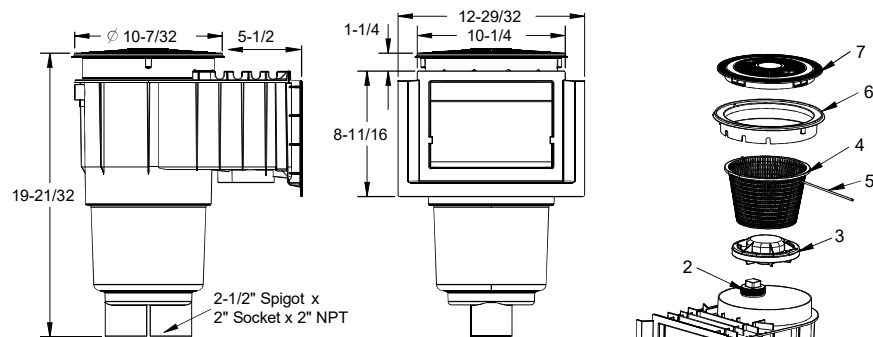
## STANDARD COLORS

- SKR101 – White
- SKR102 – Black
- SKR103 – Light Gray
- SKR104 – Blue
- SKR105 – Dark Gray
- SKR108 – Tan

Snap-in Round/Square Lid and Collar (sold separately) p/n SK65xxx

Square Lid and Collar (sold separately) p/n SK64xxx

Available without lid and collar SKR1NL101 (white only)



1. Skimmer Body
2. 2" Port Plug
3. Float Assembly
4. Basket
5. Basket Rod
6. Collar
7. Lid
8. Weir Assembly
9. Weir Clip, Qty 2

STANDARD COLORS  101  102  103  104  105  108

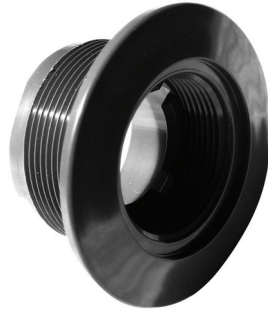
## Large Wall Fitting with Threaded OD (Fits 1½" Pipe)

### FEATURES

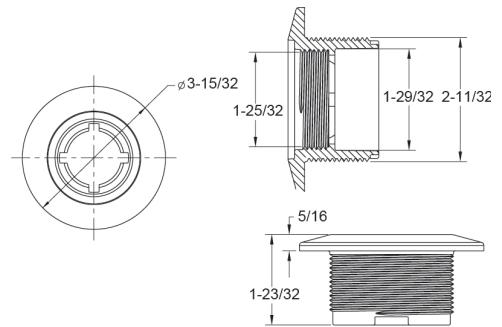
- Standard 1022 fits outside 1½" pipe, threads inside 2" pipe
- 1½" FPT in the front face
- Large flange camouflages pipe and surface construction variations
- See also decorative cover p/n DCxxx to make existing 1022s like new with different colors
- Manufactured from engineered polymer UV-resistant ABS material

250 per case

Also available in Clear (p/n ES102200)



Part # ES1022xx



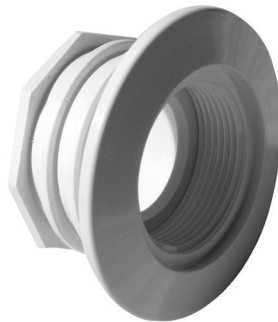
## Large Wall Fitting with Water Stop (Fits 1½" Pipe)

### FEATURES

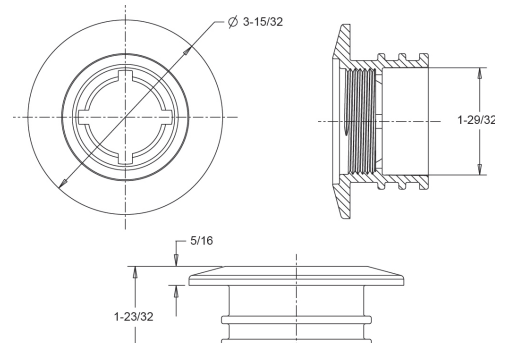
- Fits outside 1½" pipe, 1½" FPT in the front face
- Similar to standard 1022 but with integrated water stop to reduce leaks
- Large flange camouflages pipe and surface construction variations
- See also decorative cover p/n DCxxx to make existing 1022s like new with different colors
- Manufactured from engineered polymer UV-resistant ABS material

250 per case

Also available in Clear (p/n ES1022WB00)



Part # ES1022WBxx



## Large Wall Fitting (Fits Inside 2" Pipe)

### FEATURES

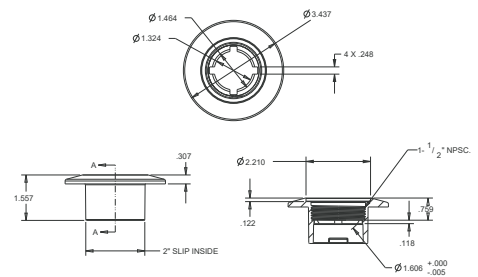
- Fits inside 2" pipe, 1½" FPT in the front face
- Large flange camouflages pipe and surface construction variations
- See also decorative cover p/n DCxxx to make existing 1022s like new with different colors
- Manufactured from engineered polymer UV-resistant ABS material

250 per case

Also available in Clear (p/n ES1022SI2000)



Part # ES1022SI20xx



**39** ProStar # VLK15Txx  
REPLACES # W4008WHP



Safety Vacuum Lock Wall Fitting (1 1/2" NPT)  
Part # VLK20Txx (2" NPT)  
Meets SPS-4-2009 Standard

**40** ProStar # HWN153  
REPLACES # AXV574P



Flow Gauge

**41** ProStar # HWN158  
REPLACES # AXV092



Hose Connector

**42** ProStar # SZTHxx  
REPLACES # V109



4-Foot Regular Hose

**43** ProStar # SZTHLxx  
REPLACES # V532



4-Foot Leader Hose

**44** ProStar # HWN163xx  
REPLACES # AXV414604



Wing Kit and Pod Shoes

## 2" X 4" GUTTER DECK DRAIN (FITS 2" PIPE)

### FEATURES

Fits over 2" pipe

1½" threaded FPT inside for pressurizing/  
winterizing

Manufactured from engineered polymer  
UV-resistant PVC material (p/n GDD101  
is manufactured from engineered polymer  
UV-resistant ABS material)

1½" reducer bushing available  
p/n BU101-2x1.5

½" stackable extender available  
p/n PE20101

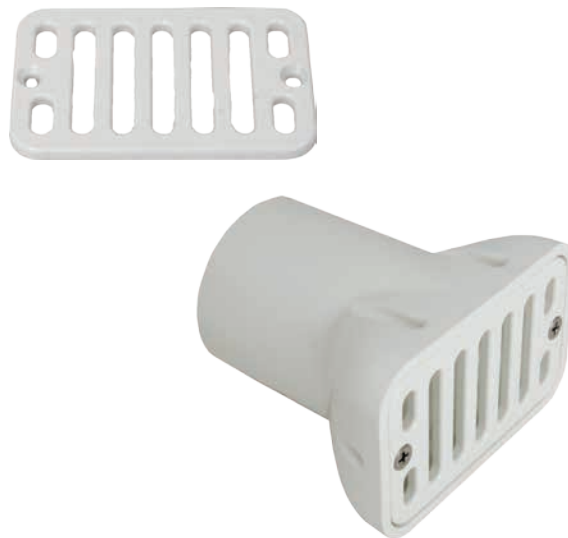
Stainless steel screws

Also available as grate only with two screws

**CAUTION:** Not to be used as a suction outlet  
under any circumstances







25 per case

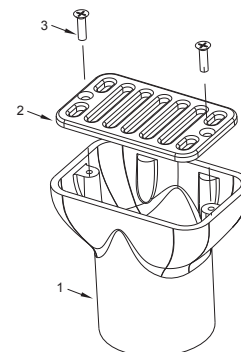
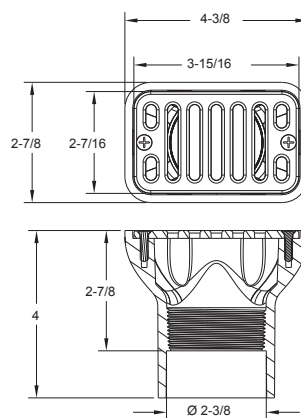
Grate only p/n GDDLxxx  
25 per case



Part # GDDxxx

### STANDARD COLORS

	101		104
	102		105
	103		108



1. 2" x 4" gutter/deck drain body
2. 2" x 4" gutter/deck drain cover
3. 10 x 3/4 flat head Phillips screw, qty 2

STANDARD COLORS  101  102  103  104  105  108

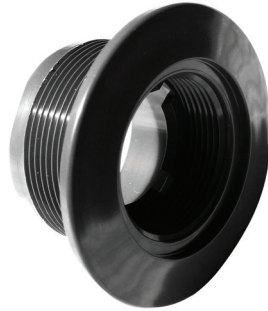
## Large Wall Fitting with Threaded OD (Fits 1½" Pipe)

### FEATURES

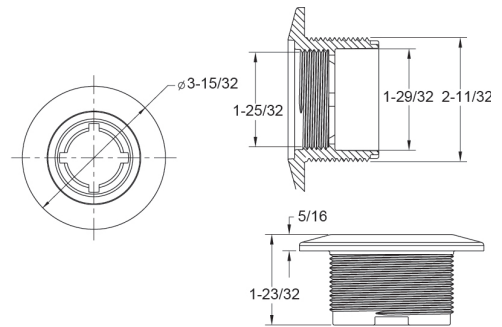
- Standard 1022 fits outside 1½" pipe, threads inside 2" pipe
- 1½" FPT in the front face
- Large flange camouflages pipe and surface construction variations
- See also decorative cover p/n DCxxx to make existing 1022s like new with different colors
- Manufactured from engineered polymer UV-resistant ABS material

250 per case

Also available in Clear (p/n ES102200)



Part # ES1022xx



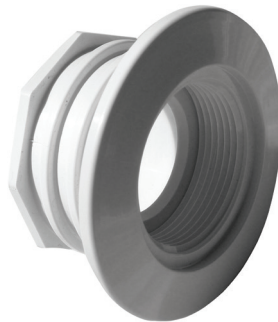
## Large Wall Fitting with Water Stop (Fits 1½" Pipe)

### FEATURES

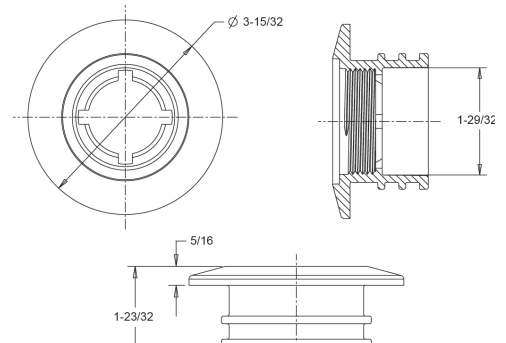
- Fits outside 1½" pipe, 1½" FPT in the front face
- Similar to standard 1022 but with integrated water stop to reduce leaks
- Large flange camouflages pipe and surface construction variations
- See also decorative cover p/n DCxxx to make existing 1022s like new with different colors
- Manufactured from engineered polymer UV-resistant ABS material

250 per case

Also available in Clear (p/n ES1022WB00)



Part # ES1022WBxx



## Large Wall Fitting (Fits Inside 2" Pipe)

### FEATURES

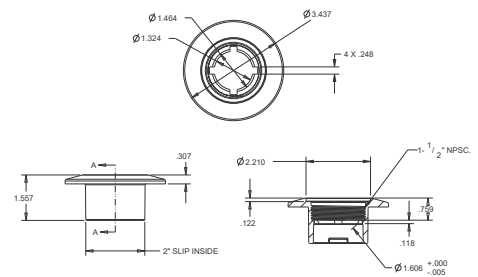
- Fits inside 2" pipe, 1½" FPT in the front face
- Large flange camouflages pipe and surface construction variations
- See also decorative cover p/n DCxxx to make existing 1022s like new with different colors
- Manufactured from engineered polymer UV-resistant ABS material

250 per case

Also available in Clear (p/n ES1022SI2000)



Part # ES1022SI20xx

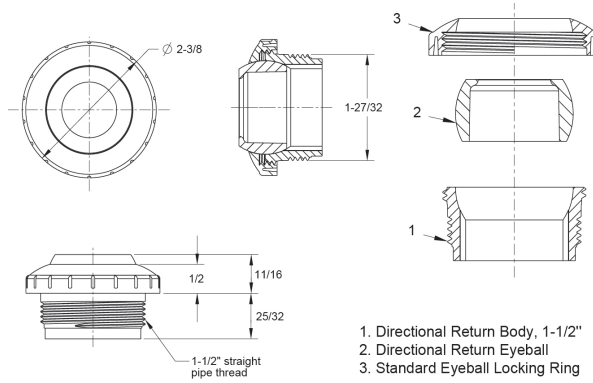




Product Image and Dimensions



**Part # 81xx**



**FEATURES**

- Screws into 1½" FPT
  - Manufactured from engineered polymer UV-resistant ABS material
- 250 per case

**STANDARD COLORS**

- 8101      Additional orifice size suffix:
  - 8102      82xx - ¾"
  - 8103      83xx - ½"
  - 8104      84xx - Slotted Down-Jet
  - 8105      (i.e. 8201 = white ¾" orifice)
  - 8108      Also available in Clear
- (p/n 8100, 8200, 8300, 8400)

AquaStar Specific Eyeball GPM, Velocity and Head Loss Ratings

GPM	81xx (1")		82xx (¾")		83xx (½")		84xx (Down-Jet)	
	Velocity (fps)	Head Loss (ft)	Velocity (fps)	Head Loss (ft)	Velocity (fps)	Head Loss (ft)	Velocity (fps)	Head Loss (ft)
5	2.2	0.1	3.6	0.5	8.2	2.4	10.1	2.1
10	4.4	0.5	7.3	1.8	16.3	8.7	20.2	8.1
15	6.6	1.1	10.9	3.7	24.5	18.6	30.3	20.7
20	8.8	1.9	14.5	6.2	32.4	32.0		
25	11.0	3.0	18.2	9.4				
30	13.2	4.4	21.8	13.1				
35	15.4	6.1	25.4	17.3				
40	17.6	8.0						
45	19.7	10.2						
50	21.9	12.7						

STANDARD COLORS  101  102  103  104  105  108

## Large Wall Fitting with Threaded OD (Fits 1½" Pipe)

### FEATURES

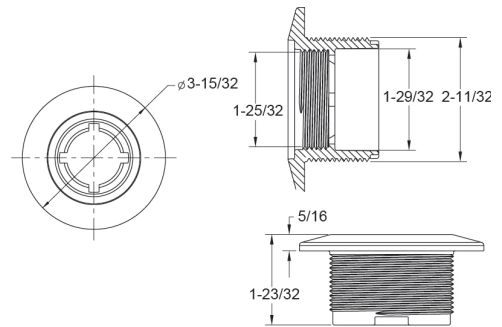
- Standard 1022 fits outside 1½" pipe, threads inside 2" pipe
- 1½" FPT in the front face
- Large flange camouflages pipe and surface construction variations
- See also decorative cover p/n DCxxx to make existing 1022s like new with different colors
- Manufactured from engineered polymer UV-resistant ABS material

250 per case

Also available in Clear (p/n ES102200)



Part # ES1022xx



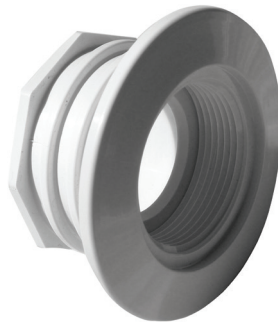
## Large Wall Fitting with Water Stop (Fits 1½" Pipe)

### FEATURES

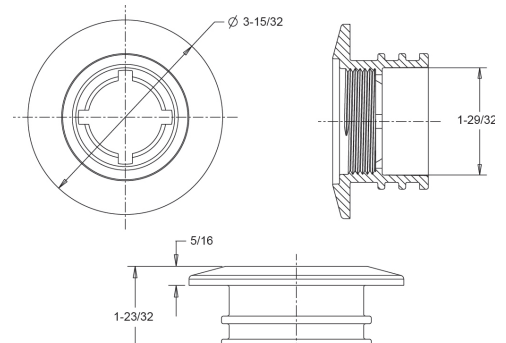
- Fits outside 1½" pipe, 1½" FPT in the front face
- Similar to standard 1022 but with integrated water stop to reduce leaks
- Large flange camouflages pipe and surface construction variations
- See also decorative cover p/n DCxxx to make existing 1022s like new with different colors
- Manufactured from engineered polymer UV-resistant ABS material

250 per case

Also available in Clear (p/n ES1022WB00)



Part # ES1022WBxx



## Large Wall Fitting (Fits Inside 2" Pipe)

### FEATURES

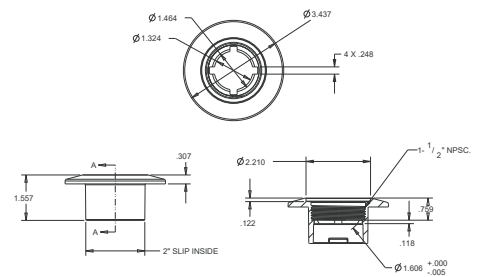
- Fits inside 2" pipe, 1½" FPT in the front face
- Large flange camouflages pipe and surface construction variations
- See also decorative cover p/n DCxxx to make existing 1022s like new with different colors
- Manufactured from engineered polymer UV-resistant ABS material

250 per case

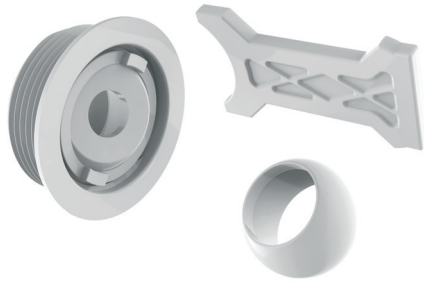
Also available in Clear (p/n ES1022SI2000)



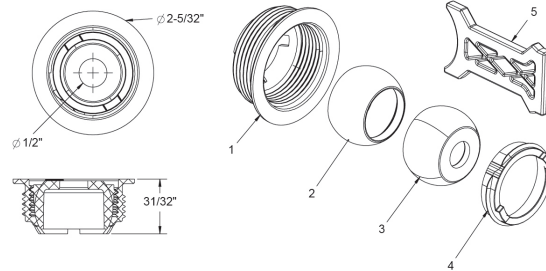
Part # ES1022SI20xx



**Product Image and Dimensions**



**Part # JOxxx**



- 1. Retrofit Body, 1-1/2" MPT
- 2. Standard Eyeball, 1" Orifice
- 3. Standard Eyeball, 1/2" Orifice
- 4. Retrofit Locking Nut
- 5. Retrofit Nut Wrench

**FEATURES**

- Threads into 1 1/2" FPT
- Includes wrench, retro-fit nut, retro-fit socket, 1/2" eyeball and 1" eyeball
- Fits flush inside flush mount fittings
- Changes color of existing fitting
- Makes existing old fitting look new
- Eliminates the need to chip out the old fitting

50 per case

**STANDARD COLORS**

- JO101
- JO102
- JO103
- JO104
- JO105
- JO108

Comes with 1/2" and 1" eyeballs.

Additional orifice sizes available separately, comes with locking nut. See part numbers below:  
ENBxxx - 3/4"  
ENDxxx - Slotted Down-Jet

**AquaStar Specific Eyeball GPM, Velocity and Head Loss Ratings**

GPM	ENxxx (1")		ENBxxx (3/4")		ENCxxx (1/2")		ENDxx (Down-Jet)	
	Velocity (fps)	Head Loss (ft)	Velocity (fps)	Head Loss (ft)	Velocity (fps)	Head Loss (ft)	Velocity (fps)	Head Loss (ft)
5	2.2	0.1	3.6	0.5	8.2	2.4	10.1	2.1
10	4.4	0.5	7.3	1.8	16.3	8.7	20.2	8.1
15	6.6	1.1	10.9	3.7	24.5	18.6	30.3	20.7
20	8.8	1.9	14.5	6.2	32.4	32.0		
25	11.0	3.0	18.2	9.4				
30	13.2	4.4	21.8	13.1				
35	15.4	6.1	25.4	17.3				
40	17.6	8.0						
45	19.7	10.2						
50	21.9	12.7						



Durable and reliable



**FEATURES**

- Can be installed alone or with drain/vacuum pool or spa at all times
- Easy to install
- Overflow protection and adjustable presets
- Uses the same size lid and collar as AquaStar skimmers
- Includes a 2" to 1½" adapter
- ¾" plug included if overflow is not needed
- ¾" water supply inlet
- Valve is made of high-strength engineered resin
- Float is injection-molded; thread is pre-molded
- All fittings are made of PVC
- No transition glue needed
- Float thread is ½" MPT
- 1 per case

**NEW**



Part # AFBxxx

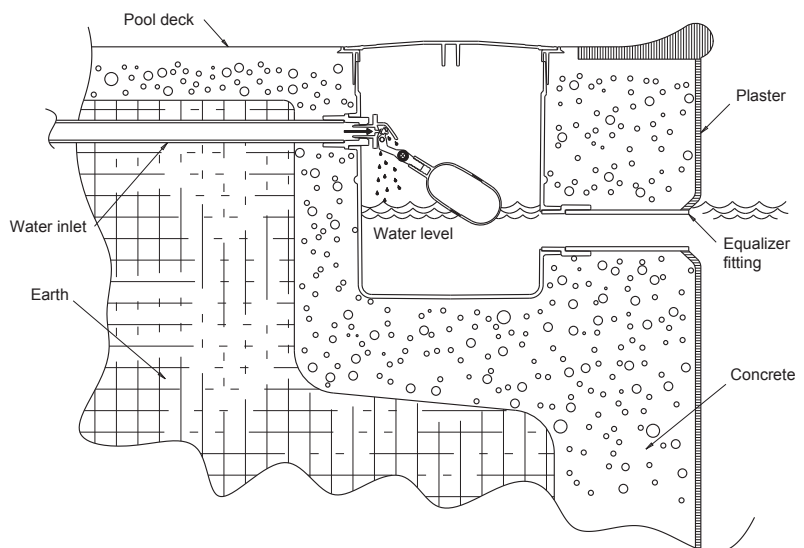
Also available float only part # AFBV

**STANDARD COLORS**

- AFB101 – White
- AFB102 – Black
- AFB103 – Light Gray
- AFB104 – Blue
- AFB105 – Dark Gray
- AFB108 – Tan

Also available without lid and collar  
p/n AFBNLxxx

Also available cover only  
p/n SKRTxxx



# GloBrite® White LED Lights

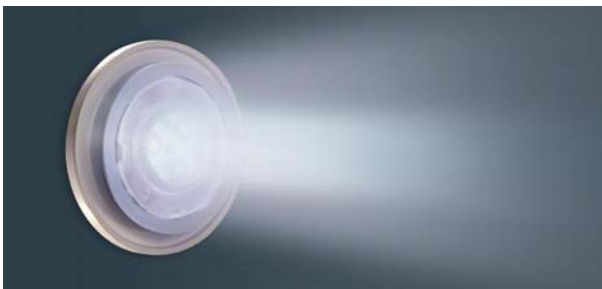


## ADD THE MAGIC AND VIBRANCY OF WHITE LED LIGHTING

GloBrite white lights provide vivid, brilliant, pure illumination for your inground pool's features. Incorporating an extended service life, two dimming levels and the latest technology, GloBrite white lights are the brightest and most efficient LEDs on the market.

- GloBrite white lights are equivalent to 190W of incandescent light and offer pure white light for your inground pool features
- Compatible with IntelliTouch®, EasyTouch® and SunTouch® Control Systems
- When used with an optional IntelliBrite® Controller, pool and spa owners without an automation system can enjoy fast and easy control of their pool lighting
- Quick and easy installation
- Does not require grounding or bonding

Feedback



## BUILT FOR EFFICIENCY

GloBrite White LED Lights are engineered with the brightest, most efficient LED light technology on the market today. They use only 15 watts to deliver the equivalent of 190 watts of incandescent light. And, savings add up with extended service life.

**Item #: 602103**

Description: GloBrite White LED Light

Voltage: 12

Wattage: 15W

Cord Length (Ft.): 50

Carton Qty.: 1

Carton Wt. (Lbs.): 6

**Item #: 602104**

Description: GloBrite White LED Light

Voltage: 12

Wattage: 15W

Cord Length (Ft.): 100

Carton Qty.: 1

Carton Wt. (Lbs.): 9

**Item #: 602105**

Description: GloBrite White LED Light

Voltage: 12

Wattage: 15W

Cord Length (Ft.): 150

Carton Qty.: 1

Carton Wt. (Lbs.): 12

Feedback

**Item #: 620040**

Description: Gunité Niche for GloBrite (includes white, blue, grey and tan rings)

Voltage:

Wattage:

Cord Length (Ft.):

Carton Qty.: 1

Carton Wt. (Lbs.): 1.3

**Item #: 620039**

Description: Vinyl Niche for GloBrite (includes white, blue, and grey rings)

Voltage:

Wattage:

Cord Length (Ft.):

Carton Qty.: 1

Carton Wt. (Lbs.): 1.3

# INTELLIBRITE® 5G WHITE LED

## UNDERWATER LED LIGHTS FOR SWIMMING POOLS AND SPAS



### Featured Highlights

- The brightest most energy efficient white LED pool light on the market
- Energy efficient utilizing up to 86% less energy than comparable incandescent lights
- Superior lens geometry and innovative reflector design combine to create a wider beam and more uniform light distribution
- Pool lens can be rotated to 180 degrees to provide wide beam pattern (standard) or narrow beam pattern
- Compatible with Pentair Stainless steel and plastic niches
- Available in 120V and 12V versions
- Available in 300W, 400W, and 500W incandescent equivalencies



IntelliBrite 5g White LED Pool Light

IntelliBrite® 5g White LED light offers a brighter, more energy efficient alternative to incandescent white lighting. Utilizing its array of LEDs, it is also ideal for commercial applications.

### Ordering Information for Pool Lights

Product	Voltage	Cord Length (Ft.)	Incandescent Equivalency	Carton Qty.	Carton Wt. (Lbs.)
<b>INTELLIBRITE 5g WHITE POOL LIGHTS – 300 WATT EQUIVALENT, 120 VOLT</b>					
601100	120V	30 ft.	300W Equivalency	1	
601101	120V	50 ft.	300W Equivalency	1	
601102	120V	100 ft.	300W Equivalency	1	
601103	120V	150 ft.	300W Equivalency	1	
601104	120V	250 ft.	300W Equivalency	1	
<b>INTELLIBRITE 5g WHITE POOL LIGHTS – 300 WATT EQUIVALENT, 12 VOLT</b>					
601105	12V	30 ft.	300W Equivalency	1	
601106	12V	50 ft.	300W Equivalency	1	
601107	12V	100 ft.	300W Equivalency	1	
601108	12V	150 ft.	300W Equivalency	1	
<b>INTELLIBRITE 5g WHITE POOL LIGHTS – 400 WATT EQUIVALENT, 120 VOLT</b>					
601200	120V	30 ft.	400W Equivalency	1	
601201	120V	50 ft.	400W Equivalency	1	
601202	120V	100 ft.	400W Equivalency	1	
601203	120V	150 ft.	400W Equivalency	1	
601204	120V	250 ft.	400W Equivalency	1	
<b>INTELLIBRITE 5g WHITE POOL LIGHTS – 400 WATT EQUIVALENT, 12 VOLT</b>					
601205	12V	30 ft.	400W Equivalency	1	
601206	12V	50 ft.	400W Equivalency	1	
601207	12V	100 ft.	400W Equivalency	1	
601208	12V	150 ft.	400W Equivalency	1	
<b>INTELLIBRITE 5g WHITE POOL LIGHTS – 500 WATT EQUIVALENT, 120 VOLT</b>					
601300	120V	30 ft.	500W Equivalency	1	
601301	120V	50 ft.	500W Equivalency	1	
601302	120V	100 ft.	500W Equivalency	1	
601303	120V	150 ft.	500W Equivalency	1	
601304	120V	250 ft.	500W Equivalency	1	
<b>INTELLIBRITE 5g WHITE POOL LIGHTS – 500 WATT EQUIVALENT, 12 VOLT</b>					
601305	12V	30 ft.	500W Equivalency	1	
601306	12V	50 ft.	500W Equivalency	1	
601307	12V	100 ft.	500W Equivalency	1	
601308	12V	150 ft.	500W Equivalency	1	

Please refer to page 117 for CSA listed IntelliBrite Pool Lights.



# COMBOConnect® Junction Box Transformer

Model PJBX52100



## SIMPLIFY POOL, SPA AND LANDSCAPE LIGHTING INSTALLATIONS

COMBOConnect combines the simplicity of a standard junction box with the power of a 100 W low-voltage transformer. Save time and money on installation of low-voltage nicheless pool lights and landscape lighting.

### FEATURES & BENEFITS:

- **Compact Size** – Great for space-constrained areas, COMBOConnect uses at least 20 percent less space than traditional components, preserving wall space and fittings. It's also compatible with direct gluing of non-metallic flexible conduit.
- **Voltage Options** – 12 or 13 volt tap option gives installers the ability to compensate for voltage drop.
- **Expandable** – Two high-voltage ports allows "daisy-chaining" between two COMBOConnect units for larger lighting projects. Low-voltage ports accept 16/2 and 18/2 AWG cord sizes, accommodating all major pool safety light manufacturers.
- **Noise Reduction** – Built-in electronic noise reduction technology helps the electrical performance of the LED lights.
- **Easy Access** – COMBOConnect provides quick access to all connection points and openings. Terminal bars allow for quick, clean and secure connections, as well as easy troubleshooting and testing.

### APPLICATIONS:

- In-Ground Pools and Spas
  - Nicheless Low-Voltage Lights
- Landscape Lighting
- Fountain Lighting

COMBOConnect is listed and labeled per NEC 680.24 for use with pool and spa underwater luminaires and per NEC 411 for low-voltage landscape lighting.



### SPECIFICATIONS:

- **Input Voltage:** 120 VAC
- **Input Ports:** 2
- **Output Ports:** 5  
(with 1/2" 3/4" and 1" reducers)
- **Cycles:** 60 Hz
- **Output Voltage:** 12 VAC or 13 VAC
- **Mounting Bracket SKU:** PA119
- U.S. Patent #10072831

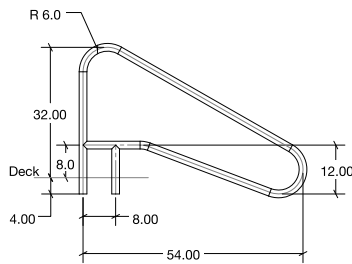


PA119



# Hand & Stair Rails

DMS-102



- Tubing: 1.90" OD
- Wall Thickness\*: .049" or .065"
- Stainless Steel: 304 or 316L Marine Grade\*\* (add -MG to part number)
- Bends: 6" Radius
- Options: Powder-coating and SealedSteel Salt Friendly
- Recommended Anchors: AS-I00P or AS-I00B (order separately)
- Recommended Escutcheon: EP-I00F (order separately)
- **Sold as a single rail**

\* Minimum rail thickness is .065 for Commercial

\*\* Minimum requirement for salt pools is 316L Marine Grade

## DMS-102

Model No.	Description	Shipping			
		Weight	Length	Width	Height
DMS-102A	54" Center Grab Rail, .049"	15 lbs — 19 lbs 7 — 9kg	59" 150cm	39" 99cm	2" 5cm
DMS-102B	54" Center Grab Rail, .065"	15 lbs — 19 lbs 7 — 9kg	59" 150cm	39" 99cm	2" 5cm
DMS-102P	54" Center Grab Rail, .049" w/welded mounting plate	15 lbs — 19 lbs 7 — 9kg	59" 150cm	39" 99cm	2" 5cm.

# Figure 4 – Commercial



- Tubing:
  - 1.50"OD – .120" wall thickness
  - 1.90"OD – .065", .109" or .145" wall thickness
- Stainless Steel: 304 or 316L Marine Grade\* (add –MG to part number)
- Bends: 6" radius with 35-inch height
- Options: Powder-coating and SealedSteel Salt Friendly available
- Recommended Anchors: AS-204MG for 1.50" and AS-I04MG for 1.90" (order separately)
- Recommended Escutcheons: EP-I50 or EP-I50-MG for 1.50" and EP-I00F or EP-I50-MG for 1.90" (order separately)
- Sold as pairs
  - \* Minimum requirement for salt pools is 316L Marine Grade

## 30-inch Setback

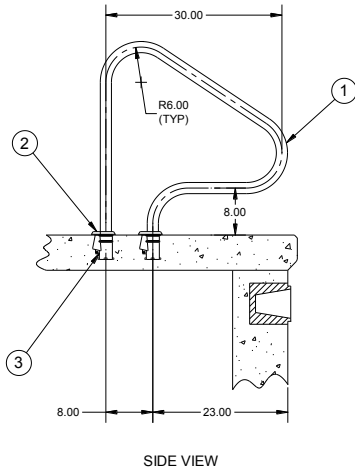


Figure 4 (30-inch setback)

Model No.	Description	Shipping			
		Weight	Length	Width	Height
10179	1.90"OD – .065" wall, pair	24 lbs 11kg	39" 99cm	32" 81cm	4" 10cm
10180	1.90"OD – .109" wall, pair	38 lbs 17kg	39" 99cm	32" 81cm	4" 10cm
10181	1.90"OD – .145" wall, pair	48 lbs 22kg	39" 99cm	32" 81cm	4" 10cm
12053	1.50"OD – .120" wall, pair	24 lbs 11kg	39" 99cm	32" 81cm	4" 10cm

## 26-inch Setback

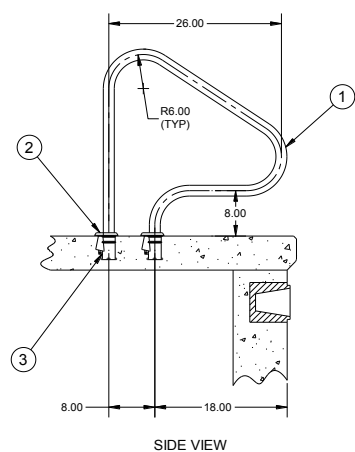


Figure 4 (26-inch setback)

Model No.	Description	Shipping			
		Weight	Length	Width	Height
10183	1.90"OD – .065" wall, pair	23 lbs 10kg	39" 99cm	32" 81cm	4" 10cm
10184	1.90"OD – .109" wall, pair	36 lbs 16kg	39" 99cm	32" 81cm	4" 10cm
10185	1.90"OD – .145" wall, pair	45 lbs 20kg	39" 99cm	32" 81cm	4" 10cm
12059	1.50"OD – .120" wall, pair	23 lbs 10kg	39" 99cm	32" 81cm	4" 10cm

# multiLift™



A flanged pool lift, with left or right side mounting, and optional folding seat version.

- Third-party tested & verified ADA compliant
- Integrated armrests
- State of California compliant
- 350 lb/159kg lifting capacity
- Retrofit anchor jig is standard
- Optional folding seat assembly
- LiftOperator® Intelligent Controller
- Powder-coated stainless steel and aluminum construction



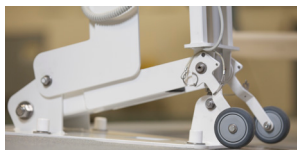
## Lift Color

GRAY MIST

Due to printing technology actual color may differ.



New Construction Jig with Anchors 500-5000A



Wheel-A-Way mobility option provides flexibility to transport the lift if needed



Optional folding seat assembly

Description		Shipping – (Class 150)			
Model No.	Pool Lift with Armrests	Weight	Length	Width	Height
575-0000	multiLift	200 lbs/91kg	50" 127cm	28" 71cm	2 69cm
575-0000N	multiLift, no anchor				

### Note:

- Includes battery, charger, battery console cover, water-resistant hand control, footrest, seat belt assembly, armrests and retrofit anchor jig.

### Parts & Accessories

- 1001495 Battery
- 500-5200T Cover
- 500-5500 Wheel-A-Way
- 900-1000 Seat Belt
- 300-6700A Anchors, set of 4
- 300-6900 Retrofit Anchor Jig
- 300-6800A Anchor Bolts, set of 4
- 970-5000T Seat Saver Cover
- 900-6000 Stability Strap
- 170-3000A Armrest Replacement (pair)

## multiLift with Folding Seat

Description		Shipping – (Class 77.5)			
Model No.	Description	Weight	Length	Width	Height
575-0100	multiLift with folding seat*	225 lbs/103kg	50"	24"	28"
575-0100N	multiLift with folding seat, no anchor*	225 lbs/103kg			
575-0105	multiLift with armrests and folding seat	230 lbs/104kg	127cm	61cm	71cm
575-0105N	multiLift with armrests and folding seat, no anchor	230 lbs/104kg			

### Note:

- Includes battery, charger, battery console cover, water-resistant hand control, footrest, seat belt assembly and retrofit anchor jig.

\* Models without armrests are not compliant with State of California requirements.

### Parts & Accessories

- 1001495 Battery
- 500-5100FCT Folding Seat Cover
- 160-6000T Folding Seat
- 900-2000 Stability Vest
- 900-4000 Seat Pad
- 970-0000T Seat Saver Cover
- 170-2320 Armrest Assembly, gray, left & right

## New Construction Guidelines

Scenario	Pool Lift	Anchor Jig
Order pool lift and new construction jig at same time	575-3000	500-5000 (no anchors)
Order new construction jig ahead of pool lift	575-3000N	500-5000A (comes with anchors)



