

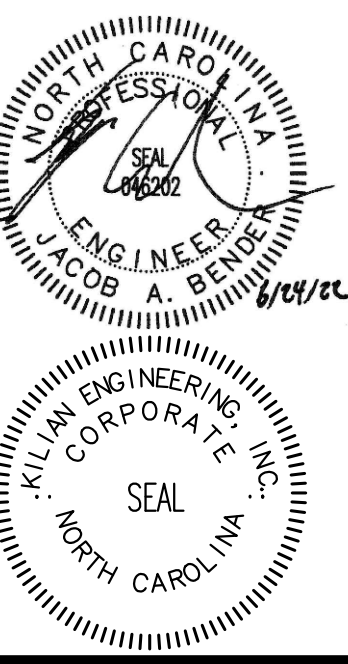
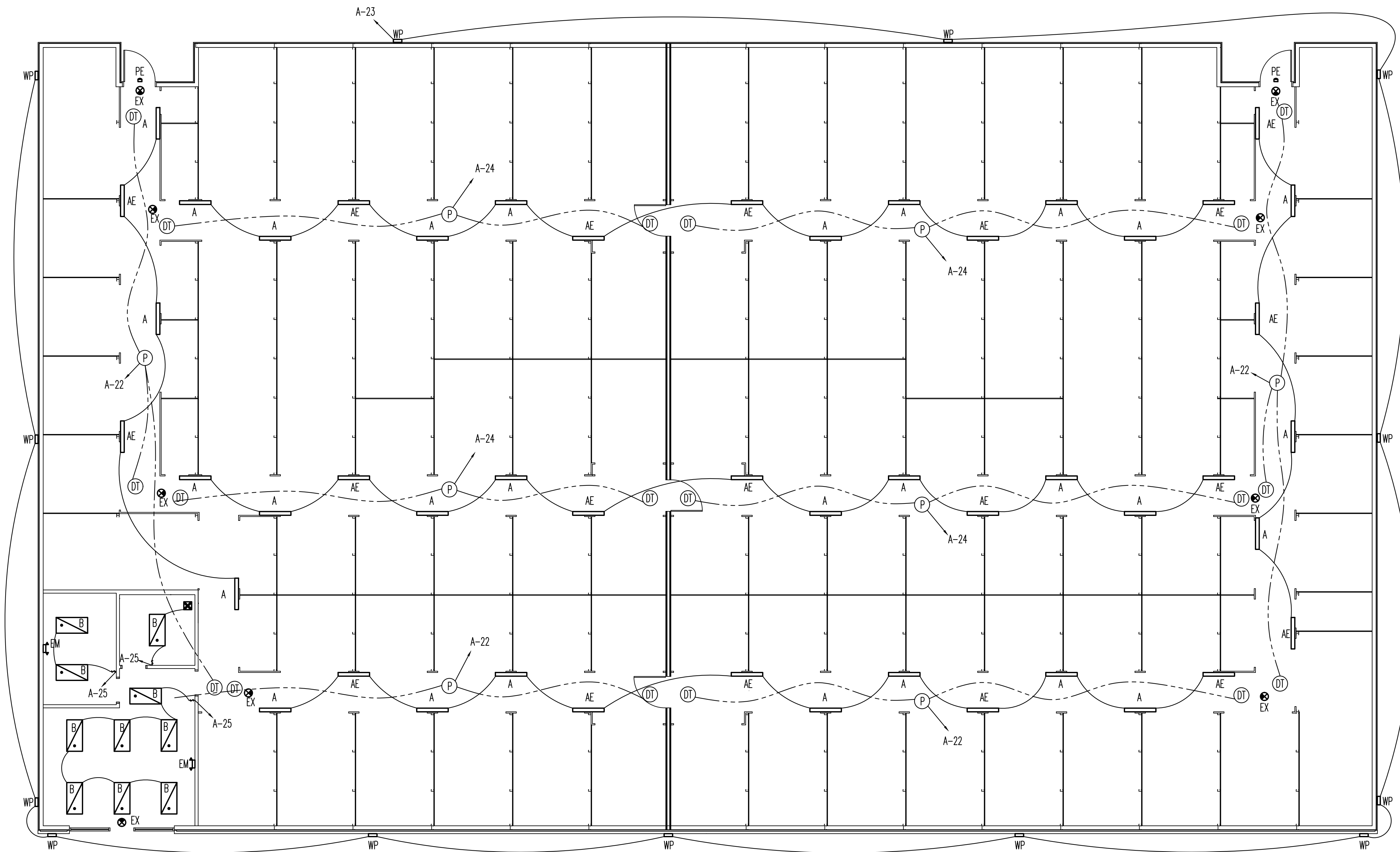
CELEBRATE
LAKESIDE STORAGE BUILDING A
ANGER, NORTH CAROLINA

REVISION:

ISSUED:

DRAWN BY: JMB
CHECKED BY: MMK
MECHANICAL PLAN

SHEET NO.
M2

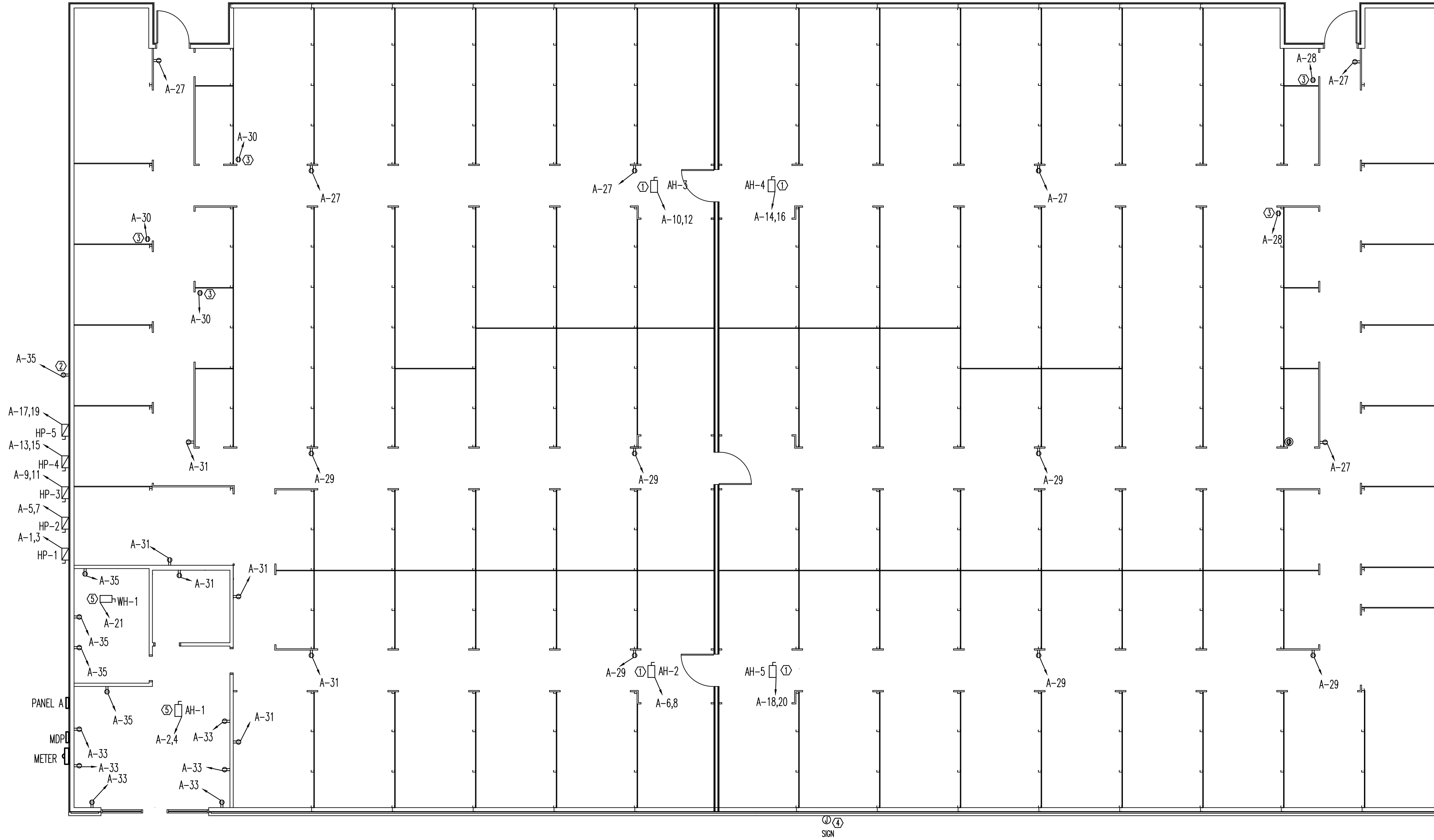


REVISION:

ISSUED:

DRAWN BY: JMB
 CHECKED BY: MJK
 ELECTRICAL LIGHTING PLAN

SHEET NO.
E2

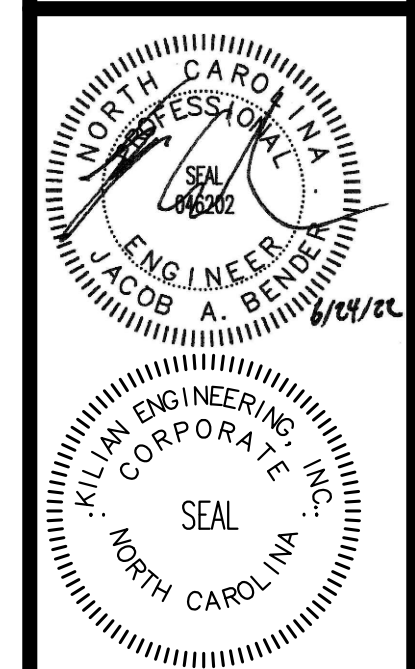
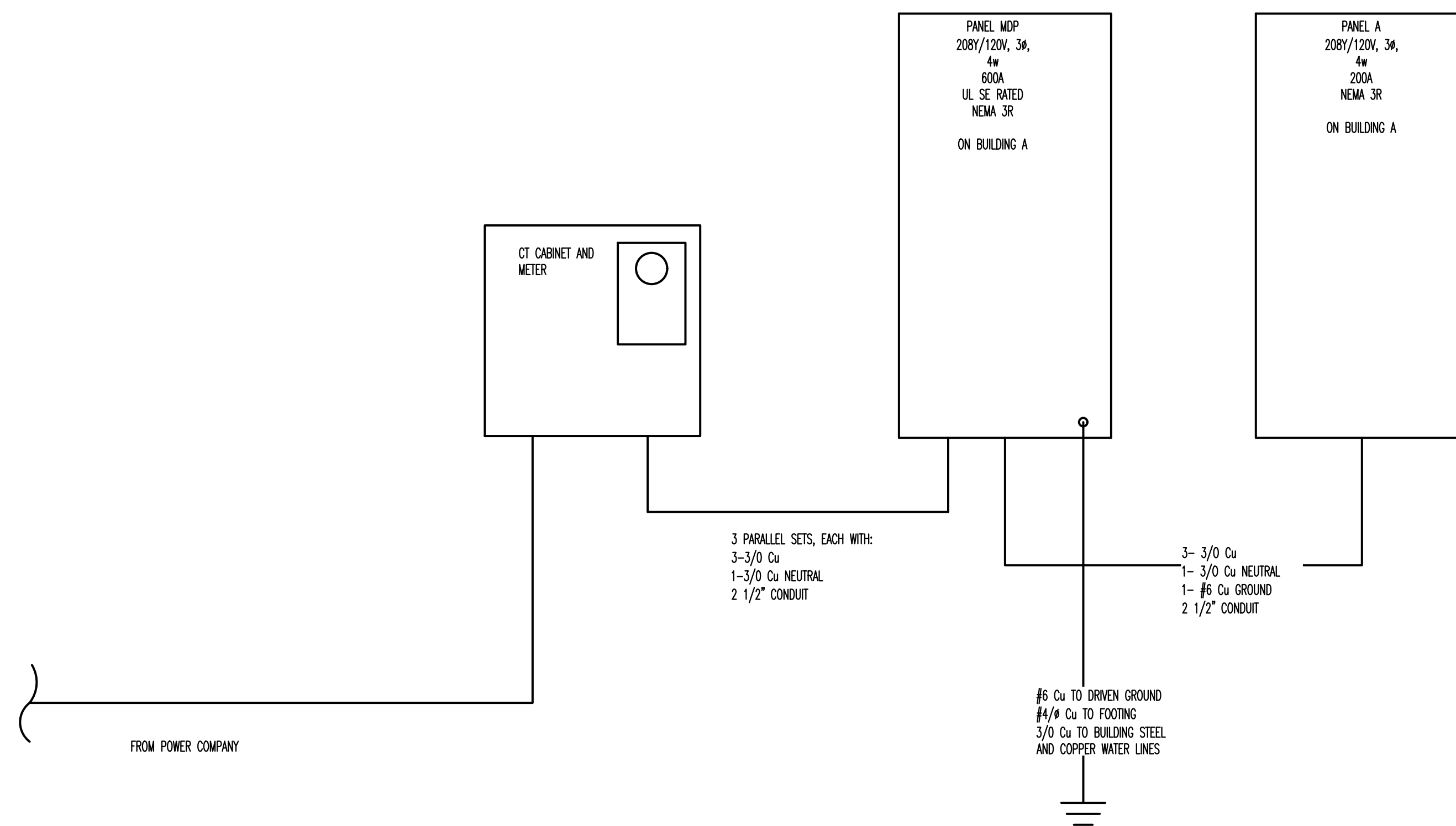


POWER PLAN HEX NOTES

1. AIR HANDLER DISCONNECT LOCATED WITH UNIT OVERHEAD IN CORRIDOR
2. EXTERIOR SERVICE RECEPTACLE TO BE GFCI WITH WEATHERPROOF COVER
3. VERIFY LOCATION OF ADA UNIT POWERED DOOR MOTOR WITH INSTALLER, PROVIDE 120V OUTLET WITH BATTERY BACKUP BANK PER NCCO1 REQUIREMENTS
4. COORDINATE SIGN MOUNTING HEIGHT WITH OWNER AND ARCHITECTURAL ELEVATIONS
5. WATER HEATER AND OFFICE AIR HANDLER DISCONNECTS LOCATED ABOVE CEILING

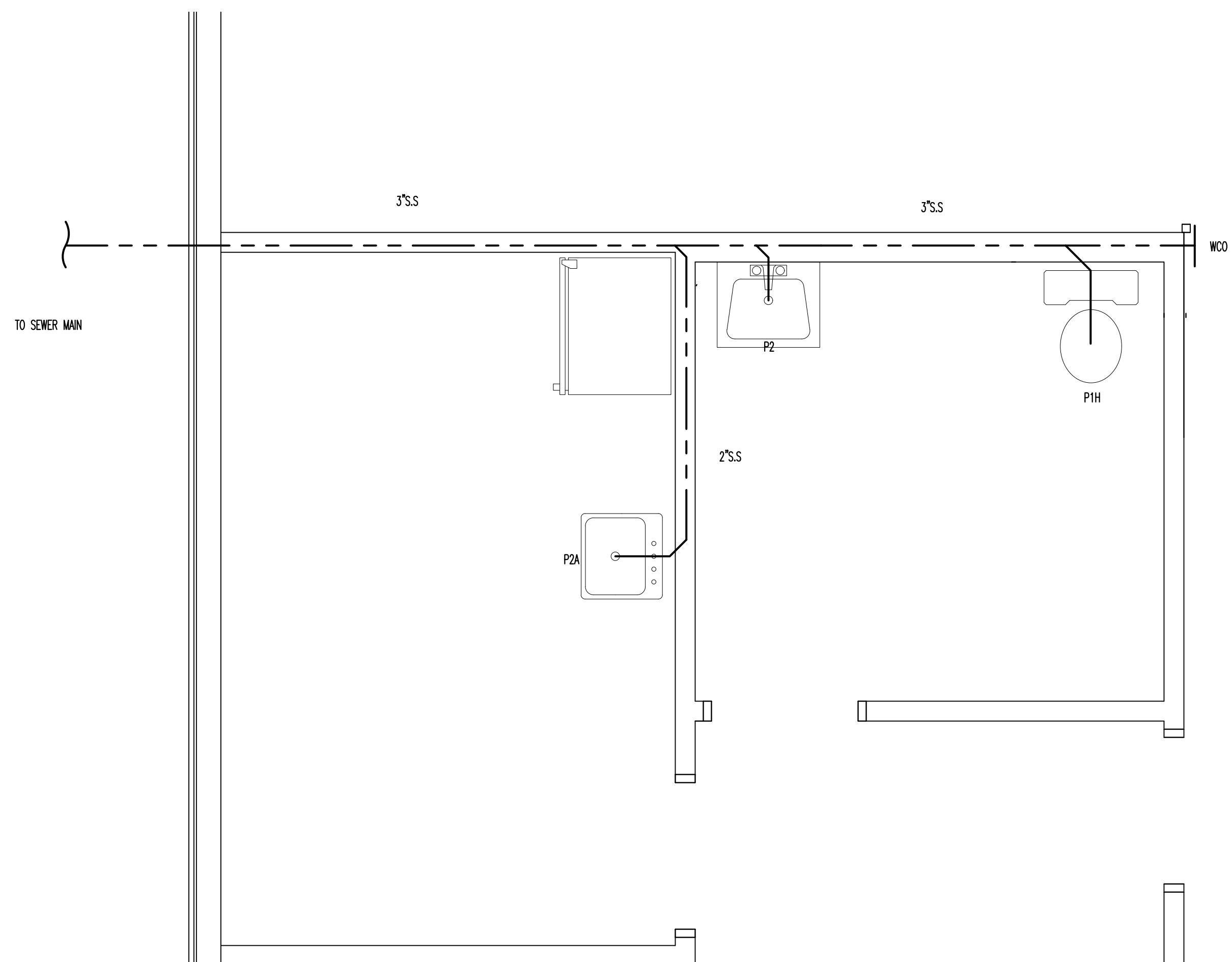
PANEL							
CKT	LOAD	BKR	LOAD		BKR	LOAD	CKT
			KVA	PH			
1			17.30	A	0.70		2
3	PANEL A	200/3	18.20	B	1.50	100/3	PANEL E
5			17.60	C	1.80		6
7			14.90	A	3.00		8
9	PANEL B	200/3	13.60	B	0.70	100/3	PANEL F
11			12.20	C	0.40		12
13			0.00	A	0.00		14
15	SPACE		0.00	B	0.00		16
17			0.00	C	0.00		18
			KVA	PH	AMPS		
			35.9	A	299		
			34.0	B	283		
			32.0	C	267		
VOLTAGE/PHASE			208Y/120V, 3P, 4W				
BUS RATING			600A				
MAIN CIRCUIT BREAKER RATING			600A				
AIC RATING			44K				
SERVICE ENTRANCE RATED			YES				
ENCLOSURE			NEMA 3R				
MOUNTING			SURFACE				

PANEL A							
CKT	LOAD	BKR	LOAD		BKR	LOAD	CKT
			KVA	PH			
1	HP-1	20/2	1.25	A	2.39	25/2	AH-1
3			1.25	B	2.39		4
5	HP-2	30/2	1.87	C	2.29	25/2	AH-2
7			1.87	A	2.29		8
9	HP-3	45/2	1.25	B	2.60	25/2	AH-3
11			1.25	C	2.60		10
13	HP-4	45/2	1.25	A	2.60	25/2	AH-4
15			1.25	B	2.60		16
17	HP-5	45/2	1.25	C	2.60	25/2	AH-5
19			1.25	A	2.60		18
21	WH-1	30/1	2.50	B	1.18	20/1	OUTER CORRIDOR LIGHTING
23	EXTERIOR LIGHTS	20/1	0.88	C	1.33	20/1	INNER CORRIDOR LIGHTING
25	OFFICE LIGHTING	20/1	0.69	A	0.00		SPACE
27	RECEPTS	20/1	1.08	B	1.00	20/1	ADA UNIT POWER
29	RECEPTS	20/1	1.08	C	1.50	20/1	ADA UNIT POWER
31	RECEPTS	20/1	1.08	A	0.00		SPACE
33	RECEPTS	20/1	1.08	B	0.00		SPACE
35	RECEPTS	20/1	0.90	C	0.00		SPACE
37	SPACE		0.00	A	0.00		SPACE
39	SPACE		0.00	B	0.00		SPACE
41	SPACE		0.00	C	0.00		SPACE
			KVA	PH	AMPS		
			17.3	A	144		
			18.2	B	152		
			17.6	C	146		
VOLTAGE/PHASE			208Y/120V, 3P, 4W				
BUS RATING			200A				
MAIN CIRCUIT BREAKER RATING			200A				
AIC RATING			22K				
SERVICE ENTRANCE RATED			NO				
ENCLOSURE			NEMA-3R				
MOUNTING			SURFACE				

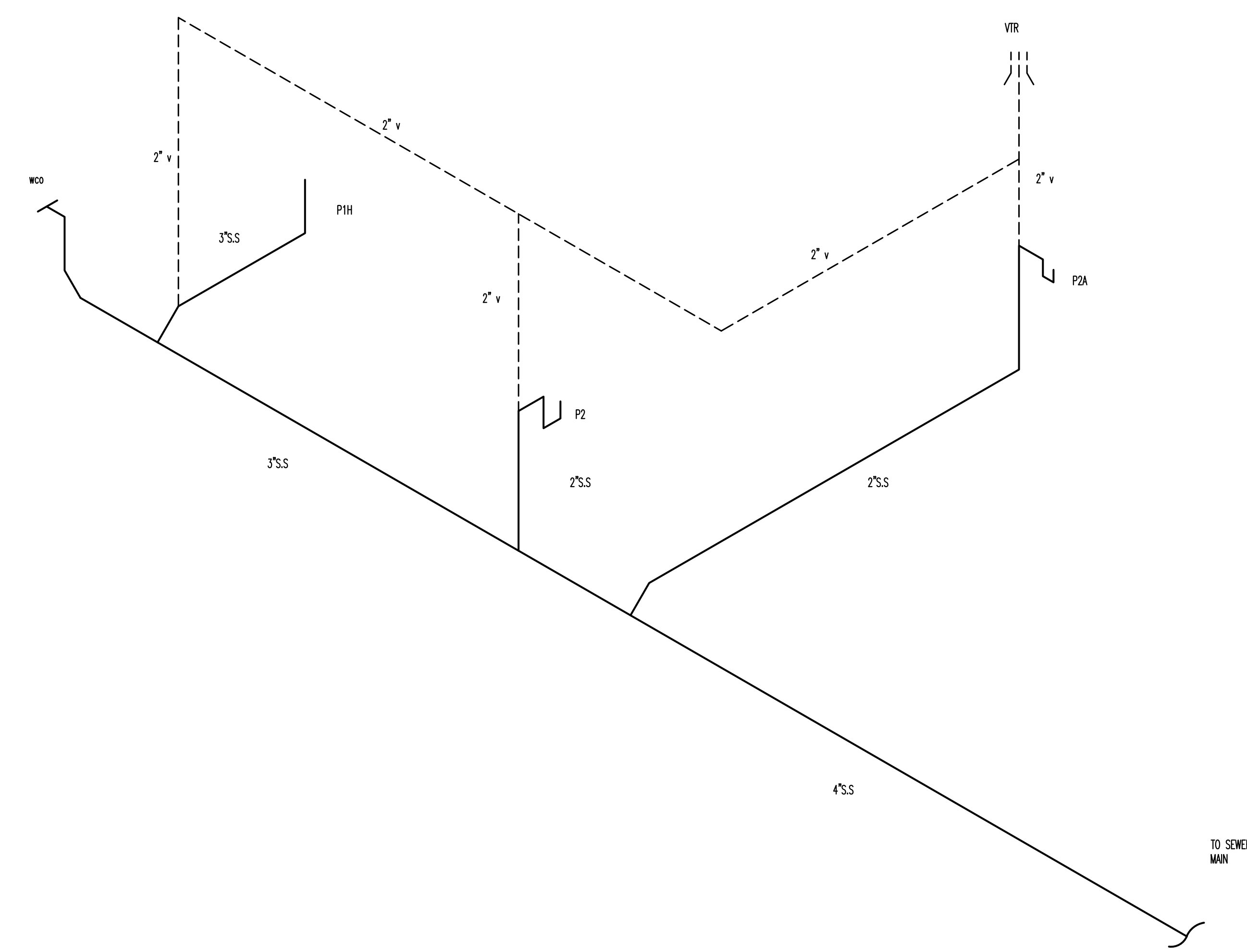


REVISION:

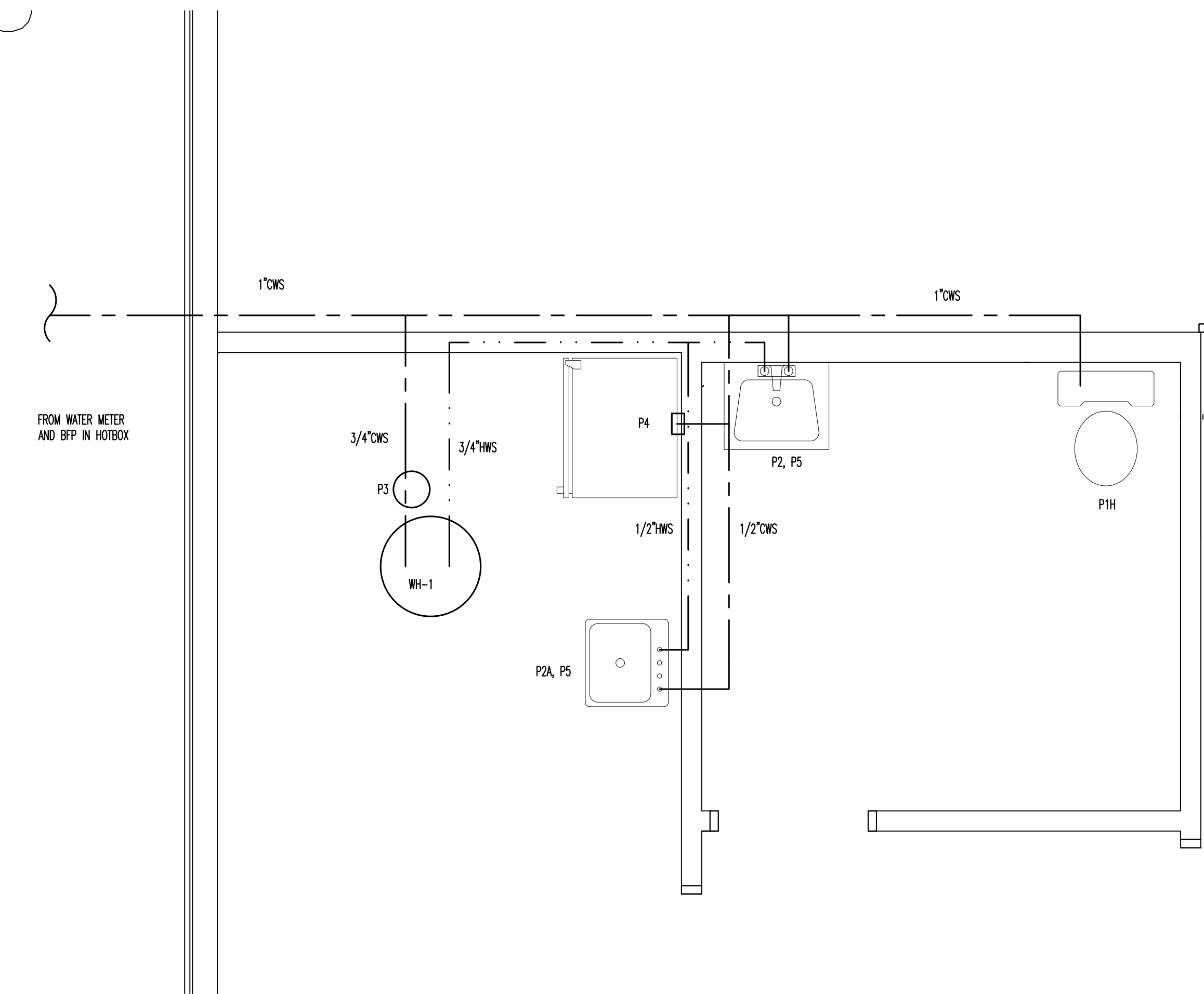
ISSUED:



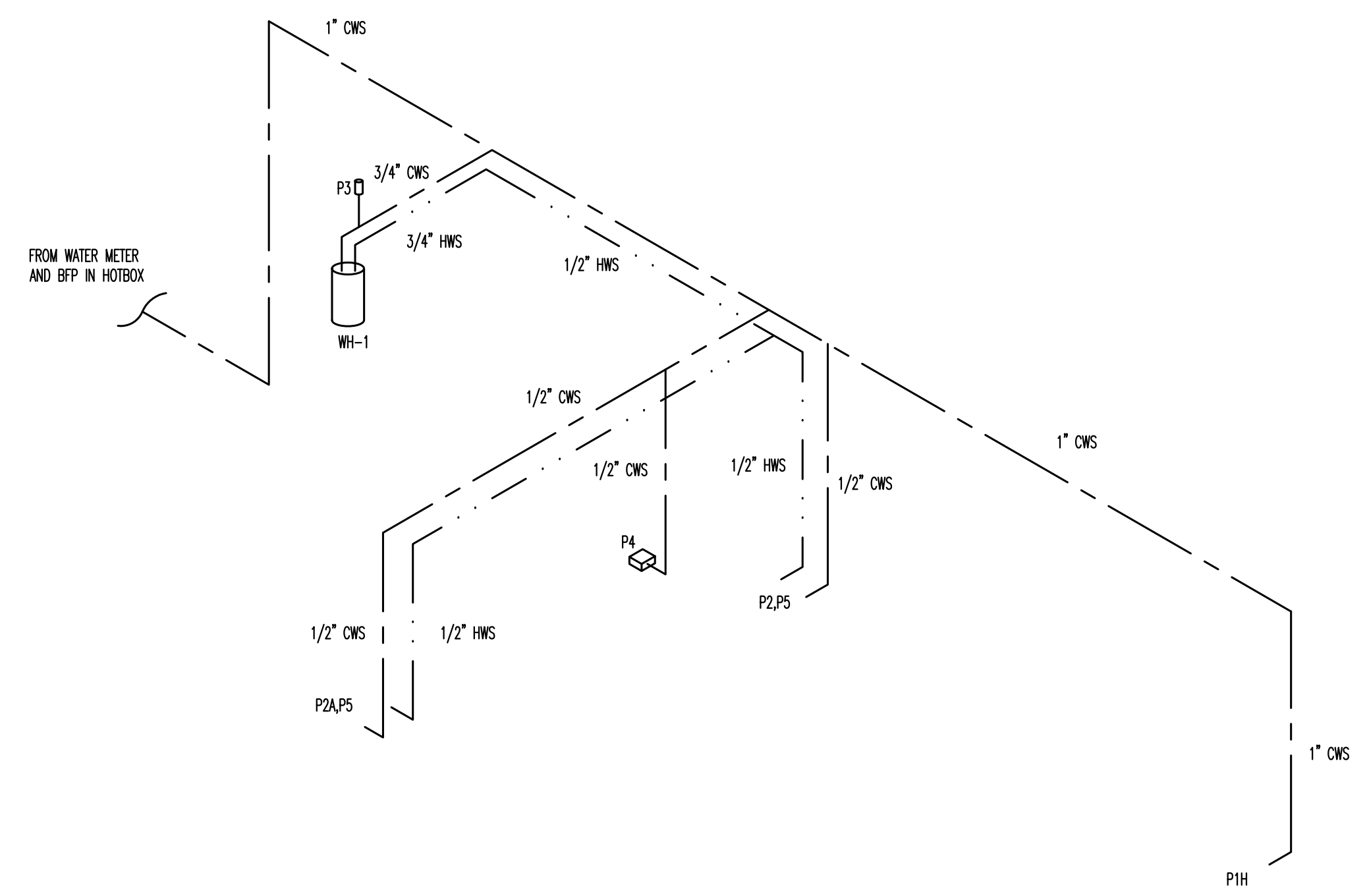
PLUMBING WASTE PLAN-SCALE: 1/2"=1' 1



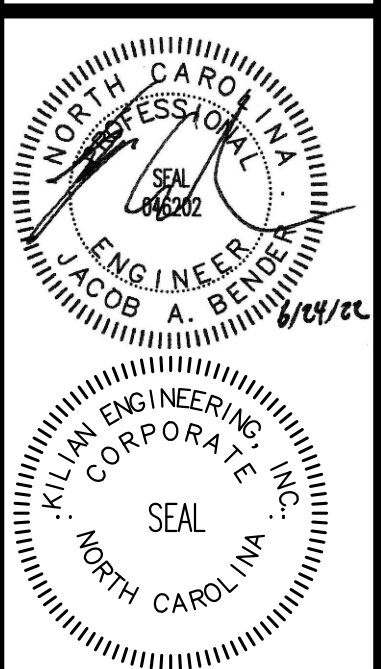
PLUMBING WASTE RISER-NO SCALE 2



PLUMBING SUPPLY PLAN-SCALE: 1/2"=1' 3



PLUMBING SUPPLY RISER-NO SCALE 4



CLEVELAND
LAKESIDE STORAGE BUILDING A
 ANGER, NORTH CAROLINA

REVISION:

ISSUED:
