

NORTH CAROLINA BUILDING CODE SUMMARY - NC 2018 BUILDING CODE

NAME OF PROJECT: A POOL FOR LEXINGTON PLANTATION
PROJECT ADDRESS: 400 CENTENNIAL PARKWAY, CAMERON, NORTH CAROLINA
OWNER / CONTACT: VILLAGE OF LEXINGTON HOA
PHONE #: TELEPHONE: 910.484.5400
EMAIL: jamie@litleandyoung.net

DESIGN PROFESSIONALS

CONTACT: ROBERT C. EVANS, ARCHITECT
DESIGNER FIRM NAME LICENSE # TELEPHONE # EMAIL
ARCHITECTURAL ROBERT C. EVANS, ARCHITECT ROBERT C. EVANS 6530 910.624.9259 rcearch@gmail.com

BUILDING CODE DATA

2018 NC BUILDING CODE: [] NEW BUILDING [] ADDITION [] RENOVATION [X] NEW POOL
2018 NC EXISTING BUILDING CODE: EXISTING: [] PRESCRIPTIVE [] REPAIR [] CHAPTER 14
ALTERATION: [] LEVEL I [] LEVEL II [] LEVEL III
RISK CATEGORY: CURRENT: [] I [] II [] III [] IV [] V
PROPOSED: [] I [] II [] III [] IV [] V

BASIC BUILDING DATA

CONSTRUCTION TYPE: [] I-A [] II-A [] III-A [] IV-A [] V-A
[] I-B [] II-B [] III-B [] IV-B [] V-B
SPRINKLERS: [X] NO [] PARTIAL [] YES
FIRE DISTRICT: [X] NO [] YES
BUILDING HEIGHT: FEET NUMBER OF STORES UNLIMITED PER

ALLOWABLE AREA

PRIMARY OCCUPANCY CLASSIFICATION(S):
[] ASSEMBLY A-1 [] A-2 [] A-3 [X] A-4 [] A-5
[] BUSINESS
[] EDUCATIONAL
[] FACTORY F-1 MODERATE F-2 LOW
[] HAZARDOUS H-1 DETONATE H-2 DEFLAGRATE H-3 COMBUST H-4 HEALTH H-5 HPM

ACCESSORY OCCUPANCY CLASSIFICATION: N/A
INCIDENTAL USES (Table 509): N/A
SPECIAL USES (CHAPTER 4-LIST CODE SECTIONS): N/A
SPECIAL PROVISIONS (CHAPTER 5-LIST CODE SECTIONS): N/A
MIXED OCCUPANCY: [X] NO [] YES
NON-SEPARATED MIXED OCCUPANCY (508.3)
SEPARATED MIXED OCCUPANCY (508.4)

Table with 5 columns: STORY NO., DESCRIPTION AND USE, (A) BLDG AREA PER STORY (ACTUAL), (B) TABLE 506.2* AREA, (C) AREA FOR OPEN SPACE INCREASE 1,5, (E) ALLOWABLE AREA OR UNLIMITED 1,3

1 - FRONTAGE AREA INCREASES FROM SECTION 506.2
2 - UNLIMITED AREA APPLICABLE UNDER CONDITIONS OF SECTION 507
3 - MAXIMUM BUILDING AREA = TOTAL NUMBER OF STORES x D (MAXIMUM 3 STORES) (506.2)
4 - THE MAXIMUM AREA OF OPEN PARKING GARAGES MUST COMPLY WITH TABLE 406.5.4
5 - FRONTAGE INCREASE IS BASED ON THE UNSPRINKLERED AREA VALUE IN TABLE 506.2

ALLOWABLE HEIGHT

Table with 3 columns: BUILDING HEIGHT IN FEET (TABLE 504.3), BUILDING HEIGHT IN STORIES (TABLE 504.4), CODE REFERENCE

FIRE RESISTANCE RATINGS

Table with 7 columns: BUILDING ELEMENT, FIRE SEPARATION DISTANCE (FEET), REQ'D RATING, RATING PROVIDED (W/ REDUCTION), DETAIL AND SHEET #, DESIGN # FOR RATED ASSEMBLY, DESIGN # FOR RATED PENETRATION, DESIGN # FOR RATED JOINTS

PERCENTAGE OF WALL OPENINGS CALCULATIONS

Table with 5 columns: WALL, FIRE SEPARATION DISTANCE FROM PROPERTY LINE(S)(FAMBS), DEGREE OF OPENINGS PROTECTION TABLE 705.8, PERCENTAGE OF ALLOWABLE AREA, ACTUAL PERCENTAGE OF OPENING ON PLANS

LIFE SAFETY SYSTEMS

EMERGENCY LIGHTING: [] NO [] YES
EXIT SIGNS: [] NO [] YES
FIRE ALARM: [] NO [] YES
SMOKE DETECTION SYSTEM: [] NO [] YES
CARBON MONO. DETECTION: [] NO [] YES
PANIC HARDWARE: [] NO [] YES
LIFE SAFETY PLAN AS
Check items that are applicable to this project:
[] Fire and/or smoke retard wall locations (Chapter 7)
[] Assumed and real property line locations
[] Exterior wall opening area with respect to assumed property lines (705.8)
[] Occupancy types for each area as it relates to occupant load calculations (Table 1004.1.1)
[] Occupant loads for each area
[] Exit access travel distance (1017)
[] Common path of travel distance (1008.2.1 & 1008.3.2(1))
[] Dead end lengths (1024.4)
[] Clear exit width for each exit door
[] Maximum calculated occupant load capacity each exit door can accommodate based on egress width (1005.3)
[] Actual occupant load for each exit door
[] A separate schematic plan indicating where fire rated floor/ceiling and/or roof structure is provided for purposes of occupancy separation
[] Location of doors with panic hardware (1010.1.10)
[] Location of doors with delayed egress locks and the amount of delay (1010.1.9.7)
[] Location of doors with electromagnetic egress locks (1010.1.9.9)
[] Location of doors equipped with hold-open devices
[] Location of emergency escape windows (1030)
[] The square footage of each fire area (202)
[] The square footage of each smoke compartment (407.5)
[] Note any code exceptions or table notes that may have been utilized regarding the items above

EXIT REQUIREMENTS

Table with 4 columns: FLOOR, ROOM OR SPACE DESIGNATION, MINIMUM* NUMBER OF EXITS REQUIRED, TRAVEL DISTANCE (ALLOWABLE TRAVEL DISTANCE (TABLE 1004.2.4), ACTUAL TRAVEL DISTANCE SHOWN ON PLANS), ARRANGEMENT MEANS OF EGRESS** (SECTION 1004.1) REQUIRED ACTUAL DISTANCE BETWEEN EXITS SHOWN ON PLANS

1 Corridor dead ends (Section 1004.3.2.3)
2 Single exits (Table 1005.2.2)
3 Common path of travel (Section 1004.2.5)

ACCESSIBLE DWELLING UNITS

Table with 7 columns: TOTAL UNITS, ACCESSIBLE UNITS REQUIRED, ACCESSIBLE UNITS PROVIDED, TYPE A UNITS REQUIRED, TYPE A UNITS PROVIDED, TYPE B UNITS REQUIRED, TYPE B UNITS PROVIDED, TOTAL ACCESSIBLE UNITS PROVIDED

ACCESSIBLE PARKING

Table with 7 columns: LOT OR PARKING AREA, TOTAL # OF PARKING SPACES REQUIRED, PROVIDED, # OF ACCESSIBLE SPACES PROVIDED (REGULAR WITH 5' ACCESS AISLE, 132" ACCESS AISLE, 8' ACCESS AISLE), TOTAL # ACCESSIBLE PROVIDED

PLUMBING FIXTURE REQUIREMENTS

Table with 10 columns: USE, WATERCLOSETS, URINALS, LAVATORIES, SHOWERS/TUBS, DRINKING FOUNTAINS, NOTES & EXCEPTIONS

SPECIAL APPROVALS

(Describe special approvals from local jurisdictions, County of State Department of Health, NC Department of Insurance, International Code Council, etc.)

ENERGY SUMMARY

EXISTING BUILDING ENVELOPE COMPLIES WITH CODE: [] NO [] YES [] UNKNOWN
EXEMPT BUILDING: [] NO [] YES (CODE OR STATUTORY REF.)
CLIMATE ZONE: [] 3A [] 4A [] 5A
METHOD OF COMPLIANCE: ENERGY CODE: [] PERFORMANCE [] PRESCRIPTIVE
ASHRAE 90.1: [] PERFORMANCE [] PRESCRIPTIVE
THERMAL ENVELOPE (PRESCRIPTIVE METHOD ONLY)
ROOF/CEILING ASSEMBLY: DESCRIPTION OF ASSEMBLY: U-VALUE OF TOTAL ASSEMBLY: R-VALUE OF INSULATION: SKYLIGHTS IN EACH ASSEMBLY: U-VALUE OF SKYLIGHT: TOTAL SQFT. OF SKYLIGHTS IN EACH ASSEMBLY: EXTERIOR WALLS: DESCRIPTION OF ASSEMBLY: U-VALUE OF TOTAL ASSEMBLY: R-VALUE OF INSULATION: OPENINGS: U-VALUE OF ASSEMBLY: SOLAR HEAT GAIN COEFFICIENT: PROJECTION FACTOR: DOOR R-VALUE: WALLS BELOW GRADE: DESCRIPTION OF ASSEMBLY: U-VALUE OF TOTAL ASSEMBLY: R-VALUE OF INSULATION: FLOORS OVER UNCONDITIONED SPACE: DESCRIPTION OF ASSEMBLY: U-VALUE OF TOTAL ASSEMBLY: R-VALUE OF INSULATION: FLOORS SLAB ON GRADE: DESCRIPTION OF ASSEMBLY: U-VALUE OF TOTAL ASSEMBLY: R-VALUE OF INSULATION: HORIZONTAL/VERTICAL REQUIREMENT: SLAB HEATED: MEZZANINE: FLOOR: WIND LOADS: BASIC WIND SPEED mph (ASCE-7) EXPOSURE CATEGORY SEISMIC DESIGN CATEGORY: A B C D PROVIDE THE FOLLOWING SEISMIC DESIGN PARAMETERS: RISK CATEGORY (Table 1604.5): 1 2 3 4 SPECTRAL RESPONSE ACCELERATION: Sms: %g Sm1: %g SITE CLASSIFICATION: A B C D E F DATA SOURCE: FIELD TEST PRESUMPTIVE HISTORICAL DATA BASIC STRUCTURAL SYSTEM: BEARING WALL BEARING WALL DUAL w/ SPECIAL MOMENT FRAME BUILDING FRAME DUAL w/ INTERMEDIATE R/C OR SPECIAL STEEL MOMENT FRAME INVERTED PENDULUM ANALYSIS PROCEDURE: SIMPLIFIED EQUIVALENT LATERAL FORCE DYNAMIC ARCHITECTURAL, MECHANICAL, COMPONENTS ANCHORED: YES NO LATERAL DESIGN CONTROL: EARTHQUAKE WIND SOIL BEARING CAPACITY: FIELD TEST: PRESUMPTIVE BEARING CAPACITY: psf FILE SIZE, TYPE AND CAPACITY: psf

STRUCTURAL DESIGN

DESIGN LOADS: IMPORTANCE FACTORS: SNOW SEISMIC LIVE LOADS: ROOF MEZZANINE FLOOR GROUND SNOW LOADS: psf WIND LOADS: BASIC WIND SPEED mph (ASCE-7) EXPOSURE CATEGORY SEISMIC DESIGN CATEGORY: A B C D PROVIDE THE FOLLOWING SEISMIC DESIGN PARAMETERS: RISK CATEGORY (Table 1604.5): 1 2 3 4 SPECTRAL RESPONSE ACCELERATION: Sms: %g Sm1: %g SITE CLASSIFICATION: A B C D E F DATA SOURCE: FIELD TEST PRESUMPTIVE HISTORICAL DATA BASIC STRUCTURAL SYSTEM: BEARING WALL BEARING WALL DUAL w/ SPECIAL MOMENT FRAME BUILDING FRAME DUAL w/ INTERMEDIATE R/C OR SPECIAL STEEL MOMENT FRAME INVERTED PENDULUM ANALYSIS PROCEDURE: SIMPLIFIED EQUIVALENT LATERAL FORCE DYNAMIC ARCHITECTURAL, MECHANICAL, COMPONENTS ANCHORED: YES NO LATERAL DESIGN CONTROL: EARTHQUAKE WIND SOIL BEARING CAPACITY: FIELD TEST: PRESUMPTIVE BEARING CAPACITY: psf FILE SIZE, TYPE AND CAPACITY: psf

SPECIAL INSPECTIONS CHAPTER 17

SPECIAL INSPECTIONS SHALL BE CONDUCTED ON ALL PROJECTS THAT FALL WITHIN BUILDING CATEGORIES AND/OR CONTAIN ELEMENTS SUBJECT TO SPECIAL INSPECTIONS AS PRESCRIBED BY REVISED SECTION 1704. To schedule the required preconstruction meeting with the City of Raleigh please call 807-5111 List whom will inspect the required special inspections Fabricator of load bearing components - Soil tests - Concrete, caissons, piles, piers, precast - Post tension concrete - Modular construction - Steel and connections, welds, bolts, anchors - Fire spray tests - Smoke control - Seismic, wind designs, Quality Assurance - Retaining wall - Masonry - Wood - Alternate Methods - EFIS - Other (describe) - Other (describe) - Owner or agent -

ELECTRICAL SUMMARY

ELECTRICAL SYSTEM AND EQUIPMENT
Method of Compliance: [] Prescriptive [] Performance [] Energy Cost Budget
* Provide a standard riser diagram which indicates designated points for check metering.
* Provide a standard panel schedule description which identifies different end use loads.
Lighting schedule
Lamp type required in fixture
Number of lamps in fixture
Ballast type used in the fixture
Number of ballasts in fixture
Total wattage per fixture
Total interior wattage specified vs. allowed
Total exterior wattage specified vs. allowed
Equipment schedules with motors (not used for mechanical systems)
Motor horsepower
Number of phases
Minimum efficiency
Motor type
of poles

MECHANICAL SUMMARY

MECHANICAL SYSTEMS, SERVICE SYSTEMS AND EQUIPMENT
Method of Compliance: [] Prescriptive [] Performance [] Energy Cost Budget
THERMAL ZONE
Exterior design conditions
Winter dry bulb
Summer dry bulb
Interior design conditions
Winter dry bulb
Summer dry bulb
Relative humidity
BUILDING HEATING LOAD
BUILDING COOLING LOAD
MECHANICAL SPACING CONDITIONING SYSTEM
Unitary
Description of unit
Heating efficiency
Cooling efficiency
Heat output of unit
Cooling output of unit
Boiler
Total boiler output. If oversized, state reason.
Chiller
Total chiller capacity. If oversized, state reason.
LIST EQUIPMENT EFFICIENCIES
EQUIPMENT SCHEDULES WITH MOTORS (mechanical systems)
Motor horsepower
Number of phases
Minimum efficiency
Motor type
of poles

SHELL VARIABLE FORM

Check each applicable line to match scope of work. Edit as necessary to provide clear detail of installation.
MECHANICAL:
[] No work
[] Equipment set with without power
[] Gas line
[] Trunk line installed with without outlets
[] Install complete operational system
[] Other
PLUMBING:
[] No work
[] Install water service and sewer
[] Install complete plumbing system
[] Install building drain and water distribution main with without branches
[] Other
SPRINKLER:
[] Install complete plumbing system
BUILDING:
[] Install slab partial complete
[] Install demising walls
[] Install interior partitioning partial complete
[] Install ceilings
[] White box (additional interior completion permits are required for Certificate of Occupancy and power)
[] Other
ELECTRICAL:
[] House panel (CONNECTING TO)
[] Service laterals to meter centers/panels located on buildings
[] Demise wall and ceilings only
[] Conduit, duct, raceway, in slab
[] Power and lighting circuits to "J" Box
[] Install light fixtures
[] Install Heat/AC Elevator Generator Parking lot lighting
[] Install complete system
[] Other
Please Provide full information on any Alternative Methods and Means incorporated into the design of this project. Provide specific details and incorporate into plan submittal any supporting documents or agreement letters.

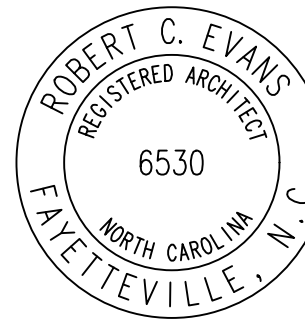
WALL LEGENDS

[] FIRE PARTITIONS 709 [] FIRE WALLS 706 [] FIRE BARRIERS 707
[] SMOKE PARTITIONS 711 [] SMOKE BARRIERS 710 [] SHAFT ENCLOSURE 708

OCCUPANT CONTENT

POOL 1,200 sf / 50 = 24 PERSONS
DECK 3,184 sf / 15 = 212 PERSONS
TOTAL OCCUPANT CONTENT 236 PERSONS

Robert Charles Evans
REGISTERED ARCHITECT
645 FRANK STREET, FAYETTEVILLE, NORTH CAROLINA 28408



09.06.22

OWNERS: VILLAGE OF LEXINGTON HOA
LOCATION: LEXINGTON PLANTATION
400 CENTENNIAL PARKWAY
CAMERON, NC
SCALE: AS SHOWN
DATE: September 6, 2022

SHEET NO:



GENERAL POOL NOTES:

1. THE POOL DEPTH MARKING SHALL CONFORM WITH NC RULE 2523. PROVIDE SIDEWALL DEPTH MARKING IN THE PERIMETER IDENTICAL TO, AND DIRECTLY BELOW THE DECK SURFACE DEPTH MARKERS. THE DEPTH MARKERS SHALL BE 5" HIGH LETTERS ON 6" SQUARE TILING, PLACED IN LOCATIONS SHOWN, NOT MORE THAN 25' APART. SEE DEPTH MARKER DETAILS FOR PAINTED MARKER OPTION.
2. THE SANITARY FACILITIES SERVING THE POOL AREA SHALL MEET 15A NCAC 18A.2500 - RULES REGULATING PUBLIC SWIMMING POOLS - SECTION .2526 "DRESSING AND SANITARY FACILITIES".
3. DRESSING FACILITY FLOORS SHALL BE CONTINUOUS THROUGHOUT THE AREAS. FLOORS SHALL HAVE A SLIP-RESISTANT SURFACE THAT SHALL BE SMOOTH, TO INSURE COMPLETE CLEANING. FLOOR DRAINS SHALL BE PROVIDED, AND FLOORS SHALL BE SLOPED NOT LESS THAN 1/8" INCH PER FOOT TOWARD THE DRAINS TO INSURE POSITIVE DRAINAGE.
4. THE SKIMMERS, RETURN FILTERS AND OTHER SHELL FIXTURES SHALL BE FIELD LOCATED AS SHOWN ON SIDES OF THE POOL.
5. ALL POOL PLUMBING PIPING SHALL BE SCHEDULE 40 PVC.
6. A GROUND FAULT INTERRUPTER (GFI) SHALL BE INSTALLED ON THE CIRCUIT SERVING THE UNDERWATER LIGHTS, WITH ALL CIRCUITRY IN ACCORDANCE WITH THE NATIONAL ELECTRICAL CODE.
7. THIS DRAWING IS BASED UPON DESIGNS AND SPECIFICATIONS BY THE POOL BUILDER AND OTHERS.
8. THE POOL BUILDER SHALL VERIFY THAT ALL DESIGN ELEMENTS ARE CORRECT AND WILL FUNCTION AS INTENDED.
9. THE MINIMUM SIZE FOR THE CHEMICAL STORAGE ROOM IS BASED ON THE TOTAL POOL VOLUME.
10. THREE HOSE BIBS (2) DECKSIDE AND (1) IN PUMP ROOM; LOCATE SO THAT NO PORTION OF POOL/DECK IS MORE THAN 100' FROM HOSE BIB; SEE A1 AND A2 FOR LOCATIONS.
11. MIRRORS IN TOILET AREAS SHALL BE SHATTERPROOF.
12. THERE SHALL BE A CLEARANCE OF NOT MORE THAN SIX INCHES, NOR LESS THAN THREE INCHES BETWEEN ANY HAND RAIL AND THE SWIMMING POOL WALL.
13. "INTERNATIONAL NO DIVING" SYMBOLS WILL BE A MINIMUM OF 6" DIAMETER IN ALL LOCATIONS.
14. POOL FINISH INCLUDING BOTTOM AND SIDES, SHALL BE OF WHITE OR LIGHT COLORED MATERIAL DETERMINED VISUALLY TO CONTRAST LEAST WITH A VALUE OF GRAY WHITER THAN 50 PERCENT BLACK ON AND ARTISTS' GRAY SCALE, OR SHOWN BY REFLECTANCE TESTING TO REFLECT MORE THAN 50 PERCENT OF VISIBLE LIGHT.
15. CONSTRUCTED PARTITIONS IN SANITARY FACILITIES WILL BE MADE OF MATERIAL THAT WILL NOT BE DAMAGED BY WATER.
16. SIGNS WITH LEDGIBLE LETTERS WILL BE PROVIDED NEXT TO EMERGENCY PHONE THAT STATES ADDRESS OF THE POOL, TELEPHONE NUMBER OF EMERGENCY PHONE AND DIALING INSTRUCTIONS.
17. "POOL CLOSED" SIGNS WHERE VISIBLE FROM ALL BATHER ENTRANCES AS WELL AS FROM ALL AREAS OF THE DECK.
18. THE LEADING EDGE OF EACH STEP AT STAIRS SHALL BE MARKED WITH A CONTRASTING, SLIP- RESISTANT, COLOR TILE BAND AT LEAST 2" WIDE VISIBLE FROM ABOVE AND SPACED NO MORE THAN 1" FROM THE EDGE OF THE STEP TREAD AND SPACED FROM ADJACENT TILES.
19. THE SUNSHELVE FINISH SHALL BE SLIP RESISTANT.
20. THE STORAGE ROOM AND PUMP ROOM ARE TO MEET NEC 680.14
21. THE EQUIPMENT AND CHEMICAL STORAGE ROOM CEILING HEIGHT SHALL BE 8'-0" MINIMUM AND THE LIGHTING FOR EACH ROOM SHALL BE MINIMUM 100 WATTS.
22. THE EQUIPMENT ROOM AND THE CHEMICAL STORAGE ROOM SHALL EACH HAVE EXHAUST FAN WITH DISCHARGE TO BUILDING EXTERIOR AND BE DIRECTED AWAY FROM POOL AREA. EXHAUST FANS SHALL RUN CONTINUOUSLY.
23. A SUMP FOR FILTER BACKWASH SHALL BE LOCATED AS SHOWN AND INSTALLED FLUSH WITH THE EQUIPMENT ROOM FLOOR. THE SUMP SHALL DISCHARGE INTO APPROVED MUNICIPAL SANITARY SEWER SYSTEM OR APPROVED STORM SEWER SYSTEM.
24. THE OWNER/GENERAL CONTRACTOR SHALL FURNISH THE BACKFLOW PREVENTION DEVICE FOR THE POOL FILL PIPING. THE POOL FILL WATER SHALL BE FROM THE APPROVED MUNICIPAL WATER SYSTEM.
25. THE POOL OPERATIONAL PROCEDURE SHALL BE POSTED ON THE EQUIPMENT ROOM WALL.
26. BOTH THE EQUIPMENT AND CHEMICAL STORAGE ROOM ENTRY DOORS SHALL BE EITHER STEEL OR WOOD, WITH 12" SQUARE, SCREENED LOUVER FOR VENTILATION AND SUPPLY OPENING FOR AIR EXCHANGE.
27. PROVIDE SHELVING FOR DRY STORAGE OF POOL CHEMICALS PER 15A NCAC 18A.2534.

15A NCAC 18A .2528 FENCES

- PUBLIC SWIMMING POOLS SHALL BE COMPLETELY ENCLOSED BY A FENCE, WALL, BUILDING, OR OTHER ENCLOSURE, OR ANY COMBINATION THEREOF, WHICH ENCLOSES THE SWIMMING POOL AREA SUCH THAT ALL OF THE FOLLOWING CONDITIONS ARE MET:
1. THE TOP OF THE BARRIER SHALL BE AT LEAST 48 INCHES ABOVE GRADE MEASURED ON THE SIDE OF THE BARRIER THAT FACES AWAY FROM THE SWIMMING POOL. THE MAXIMUM VERTICAL CLEARANCE BETWEEN GRADE AND THE BOTTOM OF THE BARRIER SHALL BE TWO INCHES MEASURED ON THE SIDE OF THE BARRIER THAT FACES AWAY FROM THE SWIMMING POOL.
 2. OPENINGS IN THE BARRIER SHALL NOT ALLOW PASSAGE OF A FOUR-INCH-DIAMETER SPHERE AND SHALL PROVIDE NO EXTERNAL HANDHOLDS OR FOOTHOLDS. SOLID BARRIERS THAT DO NOT HAVE OPENINGS SHALL NOT CONTAIN INDENTATIONS OR PROTRUSIONS EXCEPT FOR NORMAL CONSTRUCTION TOLERANCES AND TOOLED MASONRY JOINTS.
 3. WHERE THE BARRIER IS COMPOSED OF HORIZONTAL AND VERTICAL MEMBERS AND THE DISTANCE BETWEEN THE TOPS OF THE HORIZONTAL MEMBERS IS 45 INCHES OR MORE, SPACING BETWEEN THE VERTICAL MEMBERS SHALL NOT EXCEED FOUR INCHES. WHERE THERE ARE DECORATIVE CUTOUTS WITHIN THE VERTICAL MEMBERS, SPACING WITHIN THE CUTOUTS SHALL NOT EXCEED 1.75 INCHES IN WIDTH.
 4. WHERE THE BARRIER IS COMPOSED OF HORIZONTAL AND VERTICAL MEMBERS AND THE DISTANCE BETWEEN THE TOPS OF THE HORIZONTAL MEMBERS IS LESS THAN 45 INCHES, THE HORIZONTAL MEMBERS SHALL BE LOCATED ON THE SWIMMING POOL SIDE OF THE FENCE. SPACING BETWEEN THE VERTICAL MEMBERS SHALL NOT EXCEED 1.75 INCHES IN WIDTH. WHERE THERE ARE DECORATIVE CUTOUTS WITHIN THE VERTICAL MEMBERS, SPACING WITHIN THE CUTOUTS SHALL NOT EXCEED 1.75 INCHES IN WIDTH.
 5. MAXIMUM MESH SIZE FOR CHAIN LINK FENCES SHALL BE A 2.25 INCH SQUARE UNLESS THE FENCE IS PROVIDED WITH SLATS FASTENED AT THE TOP OR THE BOTTOM THAT REDUCE THE OPENINGS TO NO MORE THAN 1.75 INCHES.
 6. WHERE THE BARRIER IS COMPOSED OF DIAGONAL MEMBERS, THE MAXIMUM OPENING FORMED BY THE DIAGONAL MEMBERS SHALL BE NO MORE THAN 1.75 INCHES.
 7. ACCESS GATES SHALL COMPLY WITH THE DIMENSIONAL REQUIREMENTS FOR FENCES AND SHALL BE EQUIPPED TO ACCOMMODATE A LOCKING DEVICE. EFFECTIVE APRIL 1, 2011, PEDESTRIAN ACCESS GATES SHALL OPEN OUTWARD AWAY FROM THE POOL AND SHALL BE SELF-CLOSING AND HAVE A SELF-LATCHING DEVICE EXCEPT WHERE A GATE ATTENDANT AND LIFEGUARD ARE ON DUTY.
 8. GATES OTHER THAN PEDESTRIAN ACCESS GATES SHALL HAVE A SELF-LATCHING DEVICE. WHERE THE RELEASE MECHANISM OF THE SELF-LATCHING DEVICE IS LOCATED LESS THAN 54 INCHES FROM THE BOTTOM OF THE GATE, THE RELEASE MECHANISM SHALL REQUIRE THE USE OF A KEY, COMBINATION OR CARD READER TO OPEN OR SHALL BE LOCATED ON THE POOL SIDE OF THE GATE AT LEAST THREE INCHES BELOW THE TOP OF THE GATE, AND THE GATE AND BARRIER SHALL HAVE NO OPENINGS GREATER THAN 0.5 INCH WITHIN 18 INCHES OF THE RELEASE MECHANISM; AND
 9. GROUND LEVEL DOORS AND WINDOWS OPENING FROM OCCUPIED BUILDINGS TO INSIDE THE POOL ENCLOSURE SHALL BE SELF-CLOSING OR CHILD PROTECTED BY MEANS OF A BARRIER OR AUDIBLE ALARM.
 10. PUBLIC SWIMMING POOL FENCES CONSTRUCTED PRIOR TO MAY 1, 2010 MAY VARY FROM THE PROVISIONS OF PARAGRAPH (A) OF THIS RULE AS FOLLOWS:
 11. THE MAXIMUM VERTICAL CLEARANCE BETWEEN GRADE AND THE BOTTOM OF THE BARRIER MAY EXCEED TWO INCHES, BUT SHALL NOT EXCEED FOUR INCHES;
 12. WHERE THE BARRIER IS COMPOSED OF VERTICAL AND HORIZONTAL MEMBERS AND THE SPACE BETWEEN VERTICAL MEMBERS EXCEEDS 1.75 INCHES, THE DISTANCE BETWEEN THE TOPS OF THE BOTTOM HORIZONTAL MEMBER AND THE NEXT HIGHER HORIZONTAL MEMBER MAY BE LESS THAN 45 INCHES, BUT SHALL NOT BE LESS THAN 30 INCHES;
 13. GATES OTHER THAN PEDESTRIAN ACCESS GATES ARE NOT REQUIRED TO HAVE SELF-LATCHING DEVICES IF THE GATES ARE KEPT LOCKED; AND
 14. GATES MAY SWING TOWARDS A POOL WHERE NATURAL TOPOGRAPHY, LANDSCAPE POSITION OR EMERGENCY EGRESS REQUIREMENTS PREVENT GATES FROM SWINGING AWAY FROM THE POOL. (C) PUBLIC SWIMMING POOLS PERMITTED PRIOR TO APRIL 1, 2010 WITH EXISTING FENCES THAT DO NOT COMPLY WITH THE DIMENSIONAL REQUIREMENTS OF SUBPARAGRAPHS (A)(1) THROUGH (A)(6) AND (B)(1) THROUGH (B)(2) SHALL NOT BE DENIED AN OPERATION PERMIT SOLELY DUE TO THE PREEXISTING NON-COMPLIANCE. OPERATION PERMITS SHALL BE DENIED TO AN OWNER OR OPERATOR WHO FAILS TO COMPLY WITH SUBPARAGRAPHS (A)(1) THROUGH (A)(6) AND (B)(1) THROUGH (B)(2) OF THIS RULE WHEN: (1) AT LEAST FIFTY PERCENT (50%) OF THE FENCE HAS BEEN DAMAGED OR DESTROYED; OR (2) THE OWNER OR OPERATOR ELECTS TO REPLACE THE FENCE.

POOL EQUIPMENT SCHEDULE

TAG	QTY.	MANUFACTURER	MODEL #	FIXTURE DESCRIPTION
A	1	PENTAIR	INTELILO VSF	SELF PRIMING VARIABLE SPEED PUMP 3.0 HP 125 GPM (SPEED SETTING 5) @ 65.00' ASSUMED TDH W/INTEGRAL HAIR & LINT STRAINER (NSF)
AS	1	PENTAIR	HC3330	COMMERCIAL AUTOMATIC (EROSION) CHLORINATOR/ BROMINATOR WITH PENTAIR FLOW INDICATOR FOR CHLORINATOR R172082
B	1	PENTAIR	TR-140C	36" Ø FILTER (7.06 SQ/FT FILTER SURFACE AREA - 140 GPM MAX. - FILTER RATE @ 20 GPM / SQ/FT FILTER SURFACE AREA)
BF	1	WATTS	009RPZ	1" BACKFLOW PREVENTER (BY OTHERS)
C	1	PENTAIR	261055	FILTRATION VALVE - 2" MULTI-PORT VALVE KIT - SIDE MOUNT PORTS
CC	1	ROLA-CHEM	554223	READY TO MOUNT ORP/pH-CONTROLLER error- sodium hypo system is #554500
CP	1	ROLA-CHEM	RC-25/53	CHEMICAL PUMP RC-25/53 SC
CT	1	ROLA-CHEM	561015 (TANK) 561115 (COVER)	15 GALLON ACID STORAGE TANK WITH COVER
DR	2	AQUASTAR	12MF101	MAIN DRAIN COVER; 12" X 12" (71.2 SQ./IN. INTAKE OPENING EACH); ASME/ANSI- A112.19.8 - 2007, VGB COMPLIANT ANS/APSP 16-2011 AND NSF 50-2008; COMPLIANT 71.2 SQ. IN. OPEN AREA; 274 GPM @ 1.2 FPS WITH ASA 12"x12" PRE-MANUFACTURED DRAIN SUMP
FD	1			FLOOR DRAIN BY OTHERS
FM	1	B/W INDUSTRIES	F30300P	IN-LINE FLOW METER - 3" TOP MOUNT; 80 TO 300 GPM
HB	3			3/4" HOSE BIB WITH VACUUM BREAKER - LOCATE AS SHOWN IN EQUIPMENT ROOM & DECKING PLAN
HR	2	S.R. SMITH	3HR-7-049	HANDRAIL- 7" STAINLESS STEEL 2-BEND WITH 2 BRONZE ANCHOR SOCKETS (AS-100B) & 2 ESCUTEONS (EP-100F)
LD	2	S.R. SMITH	LF-24-3B	LADDER - STAINLESS STEEL 3-STEP WITH 2 BRONZE ANCHOR SOCKETS (AS-100B) & 2 ESCUTEONS (EP-100F); SLIP-RESISTANT TREADS
RF	6	PENTAIR	08417-0000	FLOOR RETURN INLET - 1-1/2" INLET FIXTURES WITH ADJUSTABLE NOZZLES
RW	5	HAYWARD	SP-1419C	WALL RETURN INLET - 1-1/2" EYEBALL INLET FIXTURES WITH ADJUSTABLE NOZZLES
SK	4	PENTAIR	506300	SKIMMER ASSEMBLY
UL	2	PENTAIR	601302	UNDERWATER WHITE LED POOL LIGHT - 500 WATT EQUIVALENT, UL LISTED, 120 VOLT
VP	1	CMP	25505-000-000	VGB COMPLIANT 2" POOL VACUUM PORT TO INCLUDE CMP "VAC LOCK"
WL	1	PENTAIR	T40-FW	1" WATER LEVEL CONTROLLER - AUTOMATIC POOL WATER FILL AND WATER LEVEL CONTROLLER
SIGN	2	RAINBOW	#R234100 (NC)	POOL RULES SIGN
SIGN	4	RAINBOW	#R230600	NO DIVING SIGN
SIGN	2	RAINBOW	#R235100	NO LIFEGUARD SIGN
SIGN	2	NASSCO	#33631014115	PLEASE SHOWER BEFORE ENTERING POOL

POOL SIGNAGE

1. "NO DIVING" (MIN 4" LETTERS) (4 SIGNS)
2. "WARNING - NO LIFEGUARD ON DUTY" (MIN 4" HIGH LETTERS) (2 SIGNS)
3. "PLEASE SHOWER BEFORE ENTERING POOL" (MIN 4" HIGH LETTERS) (2 SIGNS)
4. FOLLOWING ON 1 SIGN:
(A) "CHILDREN SHOULD NOT USE THE SWIMMING POOL WITH ADULT SUPERVISION" (MIN 1" HIGH LETTERS)
(B) "ADULTS SHOULD NOT SWIM ALONE" (MIN 1" HIGH LETTERS)
(C) "NO PETS ALLOWED"
(D) "NO GLASS CONTAINERS"

MAINTENANCE EQUIP.

- (1) - DPD CHLORINE & pH TEST KIT
- (1) - 36" WALL BRUSH
- (1) - 22" VAC HEAD (RP-222)
- (1) - 12' x 24' TELESCOPIC POLE
- (1) - 40' (MIN) x 1-1/2" VACUUM HOSE
- (1) - LEAF SKIMMER NET
- (1) - SPARE PUMP STRAINER BASKET
- (1) - 9" SS ALGAE BRUSH

SAFETY EQUIPMENT

- (1) - 16' STRAIGHT POLE w/ LIFE HOOK ATTACHED
- (1) - 20" CGA LIFE RING w/ 1/4" x 40" THROW ROPE ATTACHED
- (1) - DIRECT DIAL TELEPHONE IN WEATHERPROOF BOX MOUNTED DECKSIDE - SEE POOL & DECK PLAN - THIS SHEET

POOL DECKING NOTES:

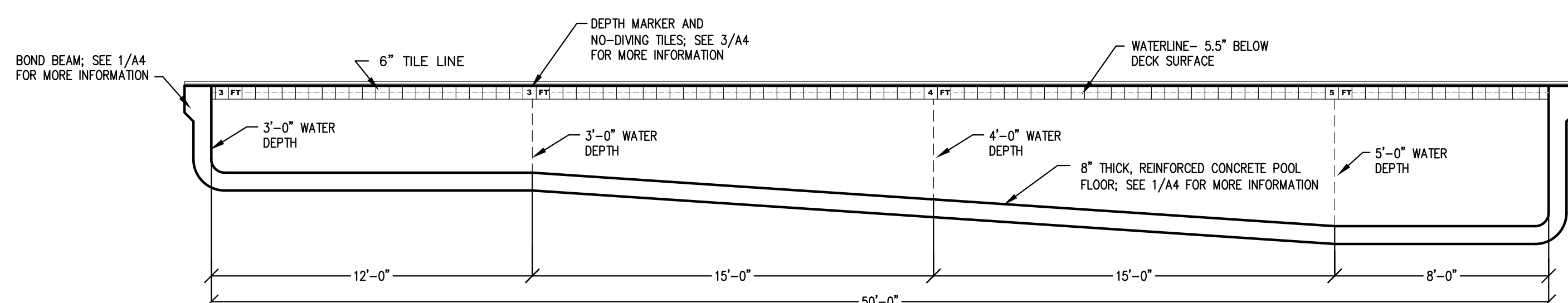
1. POOL DECKING SHALL BE 4" THICK 3,000 PSI FIBER REINFORCED CONCRETE.
2. THE DECK SURFACE SHALL SLOPE 1/4" (MIN) TO 1/2" (MAX) PER FOOT FROM POOL WATERS EDGE TO DECK DRAINS, OR DECK EDGE AS SHOWN.
3. ALL DECKING SURFACES SHALL BE A COMBINATION OF CONCRETE PAVERS AND CAST IN PLACE CONCRETE TEXTURED FOR SLIP-RESISTANT FINISH.
4. FIELD LOCATE ALL CONCRETE CONTROL JOINTS AND EXPANSION JOINTS IN PLACES THAT WILL REDUCE THE LIKELIHOOD OF DECK CRACKING, PROVIDE PREMOLDED EXPANSION JOINTS, SET FLUSH WITH DECK LEVEL AS NEEDED.
5. PLACEMENT OF ANY POOL DECK FURNITURE OR EQUIPMENT SHALL NOT INTERFERE WITH A MINIMUM OF 6'-0" CLEAR WALKING SPACE ALL AROUND THE POOL.

POOL DATA

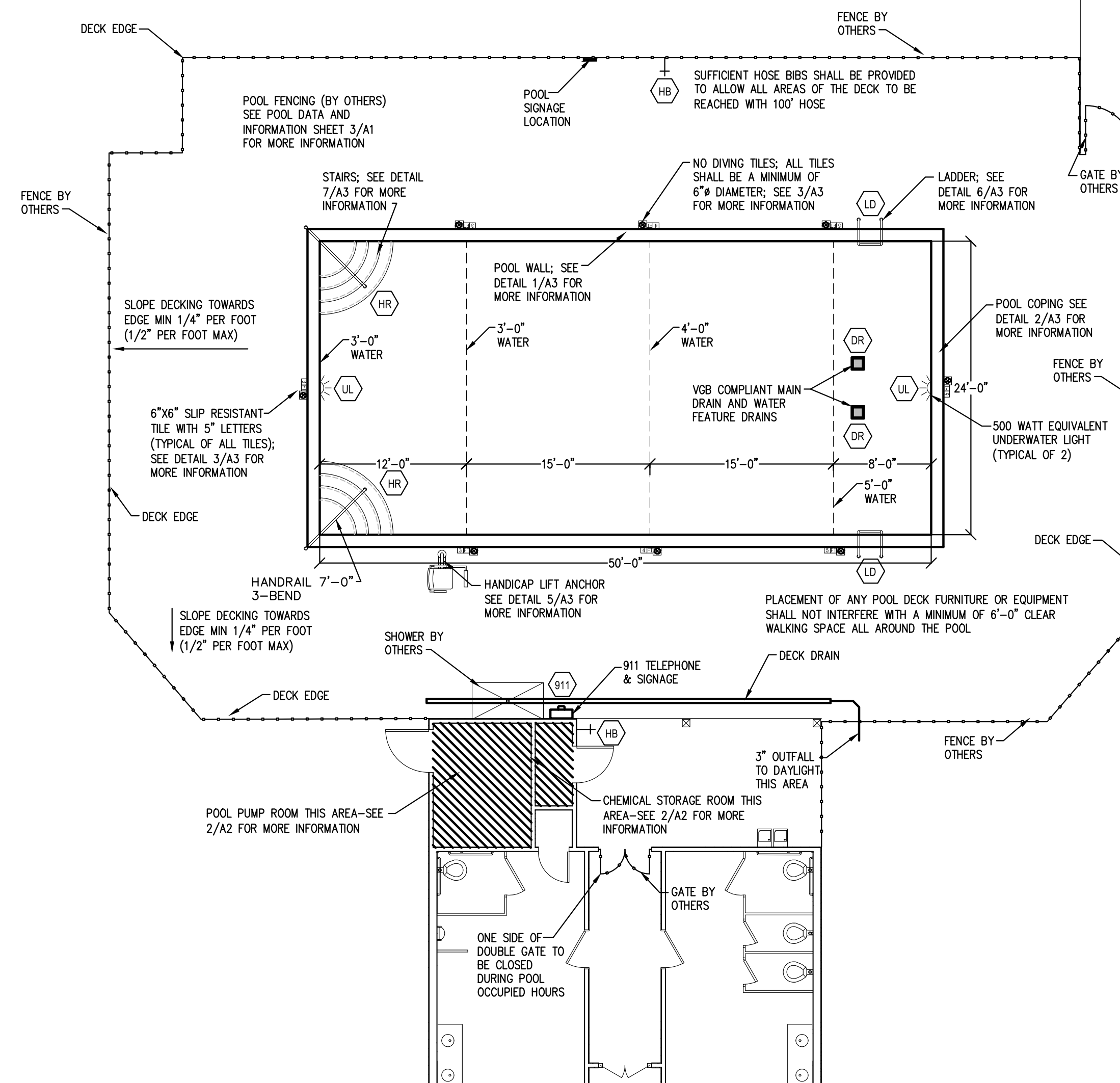
POOL AREA (50'-0" x 24'-0"; 3'-0" TO 5'-0" DEEP)	1200 SF
POOL PERIMETER	148 LINEAR FEET
POOL VOLUME	34820 GALLONS
MINIMUM FILTRATION CYCLE (6.0 HOURS)	97 GPM
DESIGN FILTRATION CYCLE (4.64 HOURS)	125 GPM
MINIMUM FILTER AREA (Ø 20 GPM/SF SURFACE AREA)	4.85 SF
DESIGN FILTER AREA (Ø 17.70 GPM/SF SURFACE AREA)	7.06 SF
COMBINED POOL AND DECK AREA	4384 SF
NET DECK AREA	3184 SF
POOL OCCUPANCY LIMIT	80 PERSONS
LOW POOL LIGHTING REQUIRED (50/FT X 0.5 WATTS)	600 WATTS
LOW POOL LIGHTING (PROVIDED)	1000 WATTS
CHEMICAL STORAGE (16.00 SF MINIMUM REQUIRED)	20 SF PROVIDED

NIGHT SWIMMING NOT ALLOWED

3 A1 POOL DATA & INFORMATION
SCALE: NOT TO SCALE

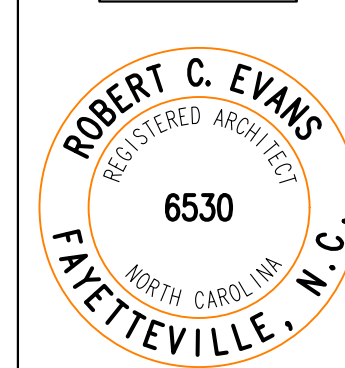


2 A1 POOL PROFILE
SCALE: 1/4" = 1'-0"



1 A1 POOL AND DECK PLAN
SCALE: 1/8" = 1'-0"

Robert Charles Evans
REGISTERED ARCHITECT
5530
NORTH CAROLINA
FAYETTEVILLE, N.C.
3004 HAINFORD ROAD, SUITE 108, FAYETTEVILLE, NORTH CAROLINA



09.06.22

OWNERS:
VILLAGE OF LEXINGTON HOA
PO BOX 87209
FAYETTEVILLE NC 28304

LOCATION:
LEXINGTON PLANTATION
400 CENTENNIAL PARKWAY
CAMERON, NC

DATE:
AUG 11TH 2022

REVISIONS:

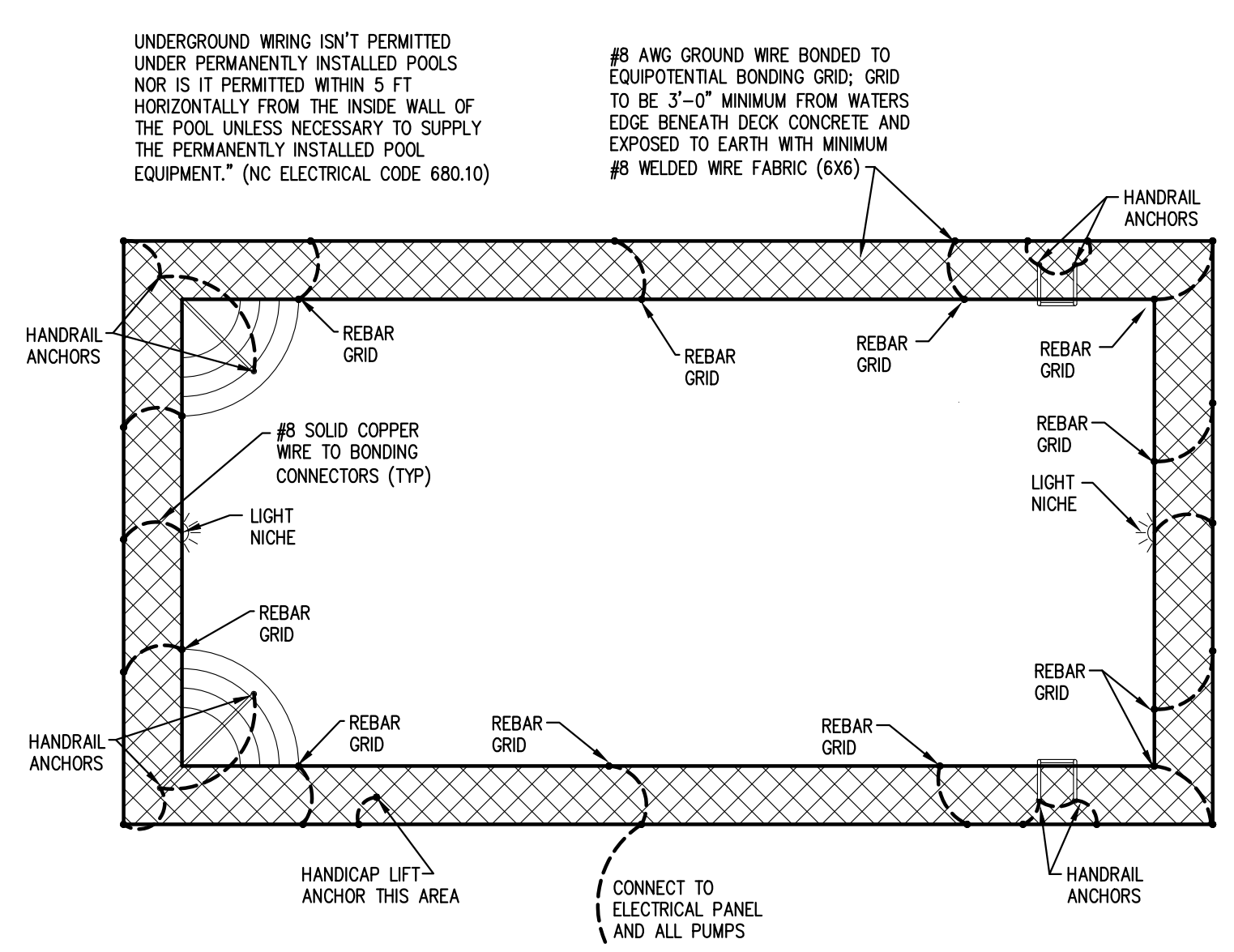
SCALE:
AS SHOWN

DRAWN:
J.PARRISH

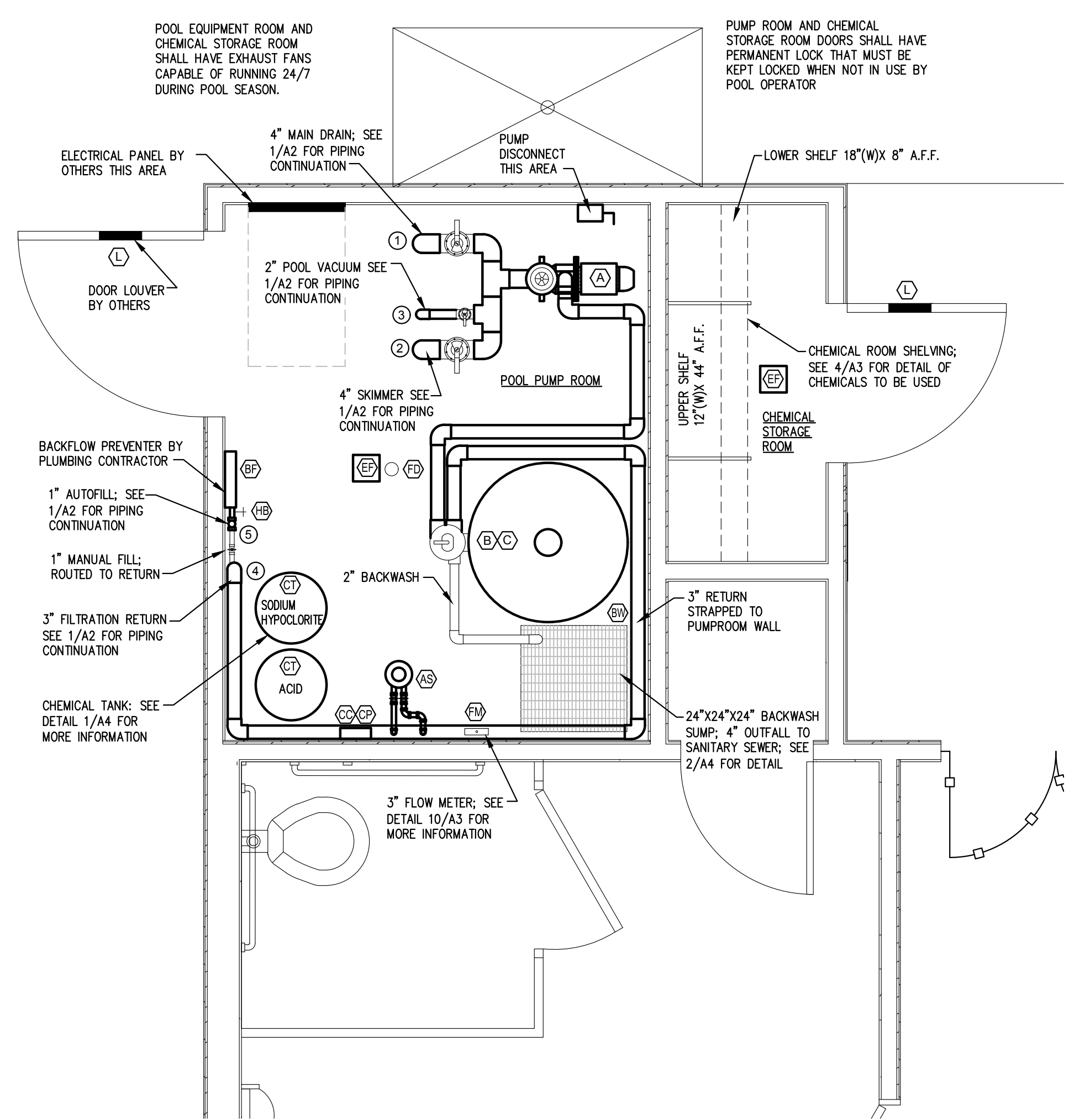
SHEET NO:

A1

ELECTRICAL SCHEDULE						
ITEM	QTY	HP	WATTS	AMPS	VOLT	PHASE
POOL PUMP	1	3.0	3840	16	230	1Ø
LIGHTING	2	N/A	500 EQUIV.	-	120	
CHEMICAL SYSTEM PUMP	2	N/A	60	-	120AC/12VDC	
H/C LIFT	1	N/A	-	-	24DC	
H/C LIFT BATTERY CHARGER	1	N/A	-	-	120AC/24VDC	



3 EQUIPOTENTIAL BONDING
 A2 SCALE: 1/8" = 1'-0"

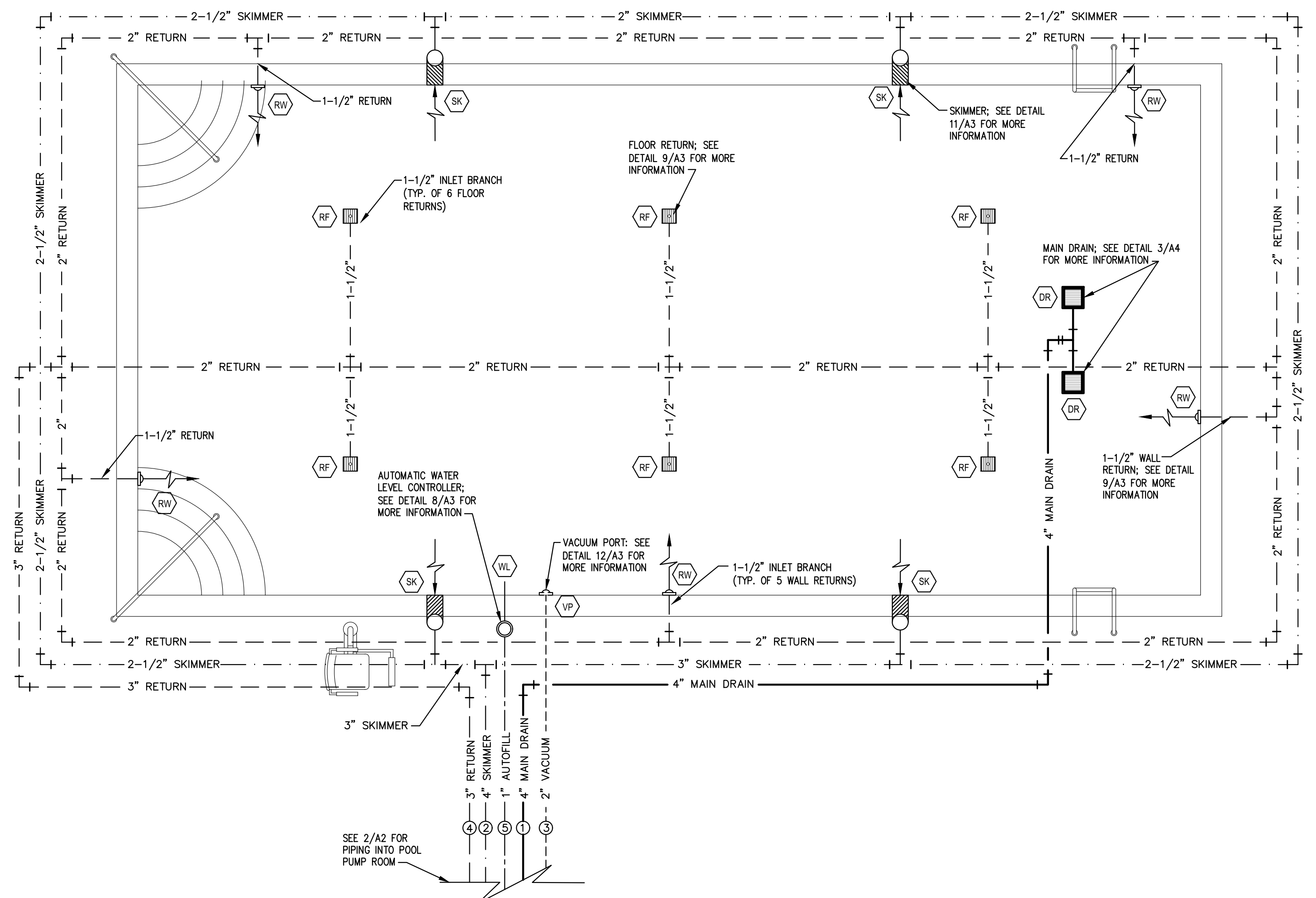


POOL PUMP ROOM EQUIPMENT KEY

TAG	DESCRIPTION
A	3.0 HP PENTAIR INTELLIFLO VSF CIRCULATION PUMP
AS	HC#3330 AUTO SANITIZER WITH FLOW INDICATOR (SECONDARY SYSTEM)
B	36" HI-RATE SAND FILTER PENTAIR TR-140C
BF	1" RPZ BACKFLOW PREVENTER BY G.C.
BT	300 BACKWASH HOLDING TANK WITH 30 GPM MAX TO BACKWASH SUMP
BW	24"x24"x24" BACKWASH SUMP WITH 6" OUTFALL PIPE TO SANITARY SEWER
C	2" MULTI-PORT SELECTOR VALVE
CC	CHEMICAL CONTROLLER
CP	CHEMICAL PUMP (ACID) RC 25/53
CT	15 GAL HDPE CHEMICAL TANK (ACID)
EF	POWER EXHAUST VENTILATORS (2) BY OTHERS
FM	3" FLOW METER
FD	2" FLOOR DRAIN TO SANITARY SEWER BY OTHERS
HB	3/4" HOSE BIB BY GENERAL CONTRACTOR
L	LOUVERS IN DOORS 12" X 12" +/-, SET NEAR BOTTOM OF DOORS. SALINE GENERATING SYSTEM TO INCLUDE ORP AND PH SENSORS, CONTROLS TO AUTOMATICALLY MAINTAIN CHLORINE AND PH LEVELS IN POOL (PRIMARY SYSTEM)
SG	

POOL PUMP ROOM PIPING KEY

TAG	DESCRIPTION
①	4" MAIN DRAIN WITH PVC BALL VALVE
②	4" SKIMMER WITH PVC BUTTERFLY VALVE
③	2" VACUUM WITH PVC BALL VALVE
④	3" RETURN
⑤	1" AUTO FILL LINE (DOMESTIC WATER SUPPLY BY G.C.)
⑥	1" MANUAL POOL FILL CONNECT TO POOL RETURN



1 POOL PIPING PLAN
 A2 SCALE: 1/4" = 1'-0"

2 PUMP/CHEMICAL STORAGE ROOMS
 A2 SCALE: 1/2" = 1'-0"

OWNERS: VILLAGE OF LEXINGTON HOA
 400 CENTENNIAL PARKWAY
 FAYETTEVILLE, NC 28304

LOCATION: LEXINGTON PLANTATION
 400 CENTENNIAL PARKWAY
 CAMERON, NC

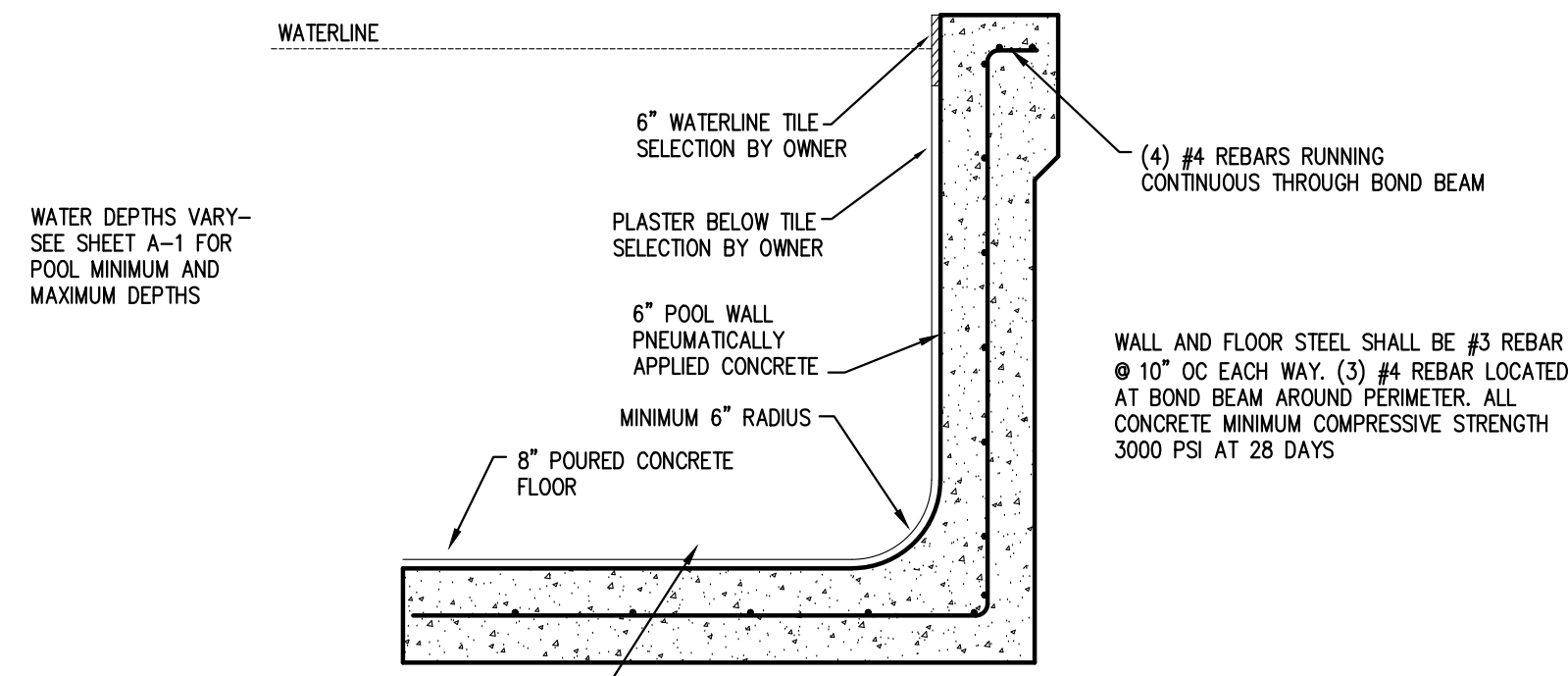
DATE: AUG 11TH 2022

REVISIONS: AS SHOWN

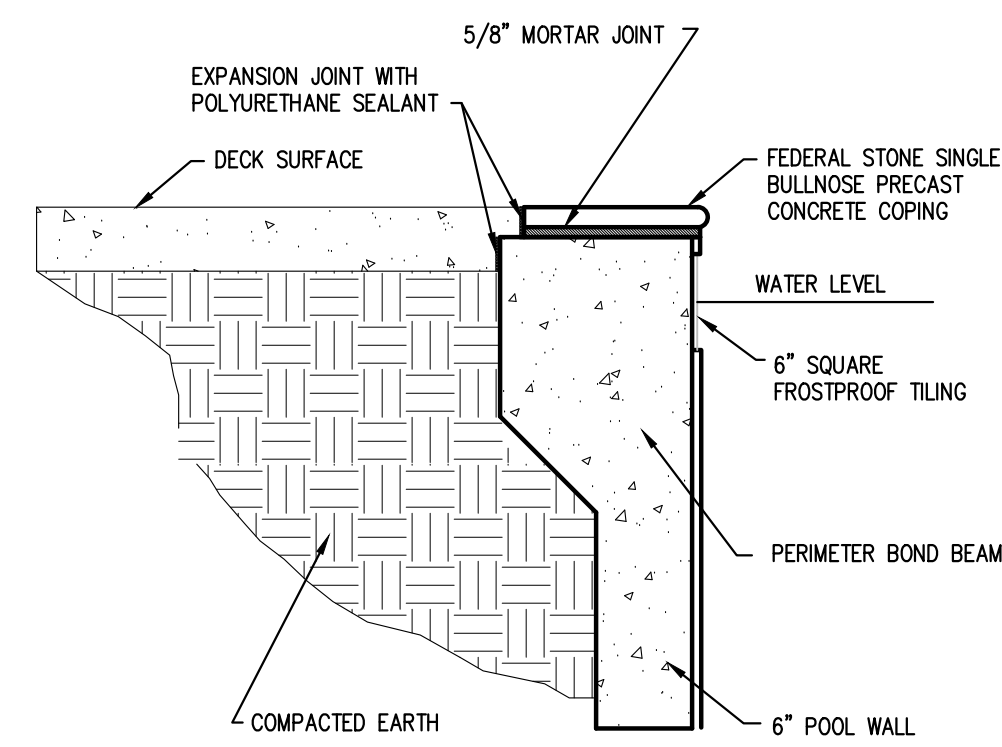
DRAWN: J.PARRISH

SHEET NO:

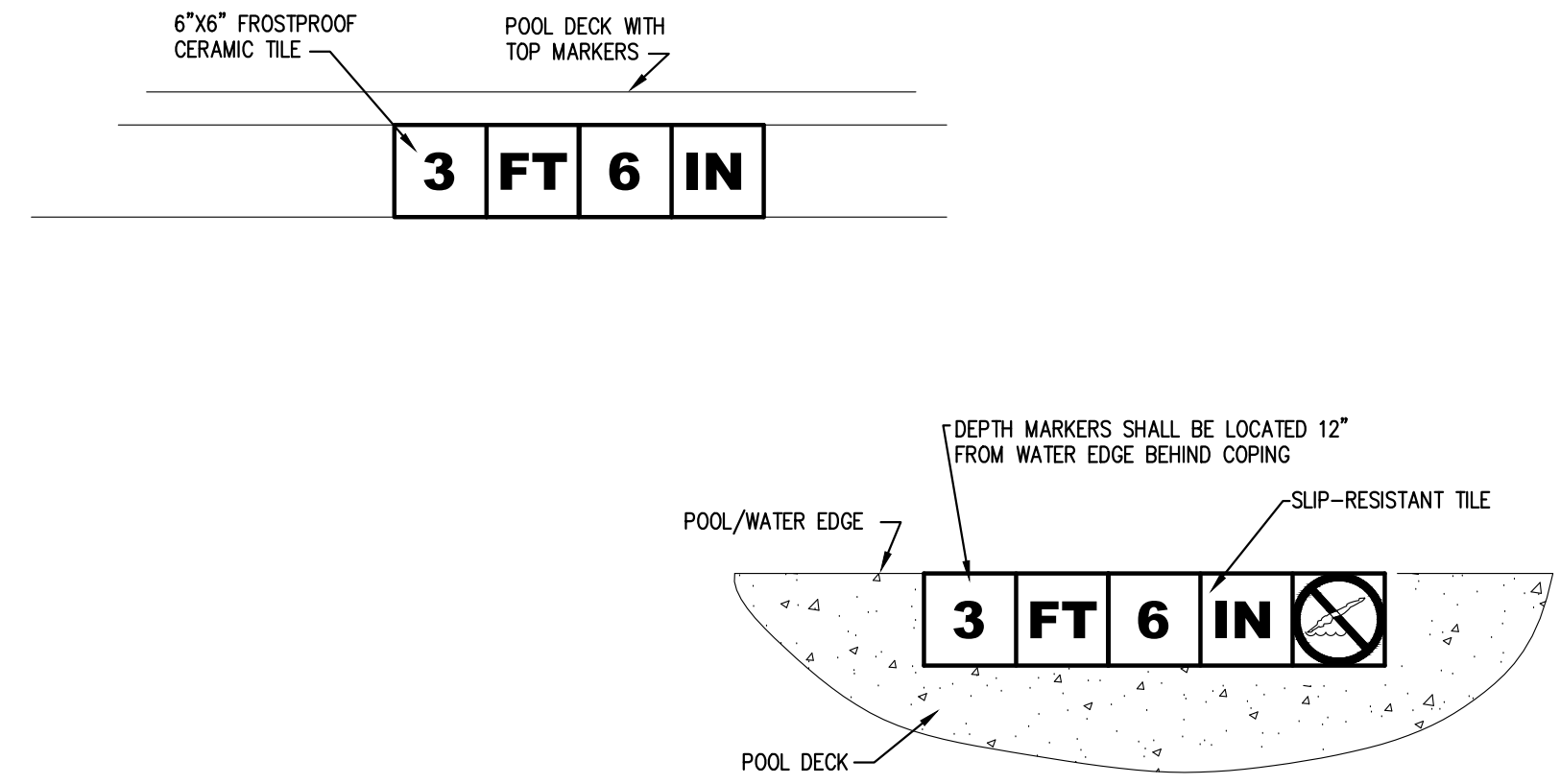
A2



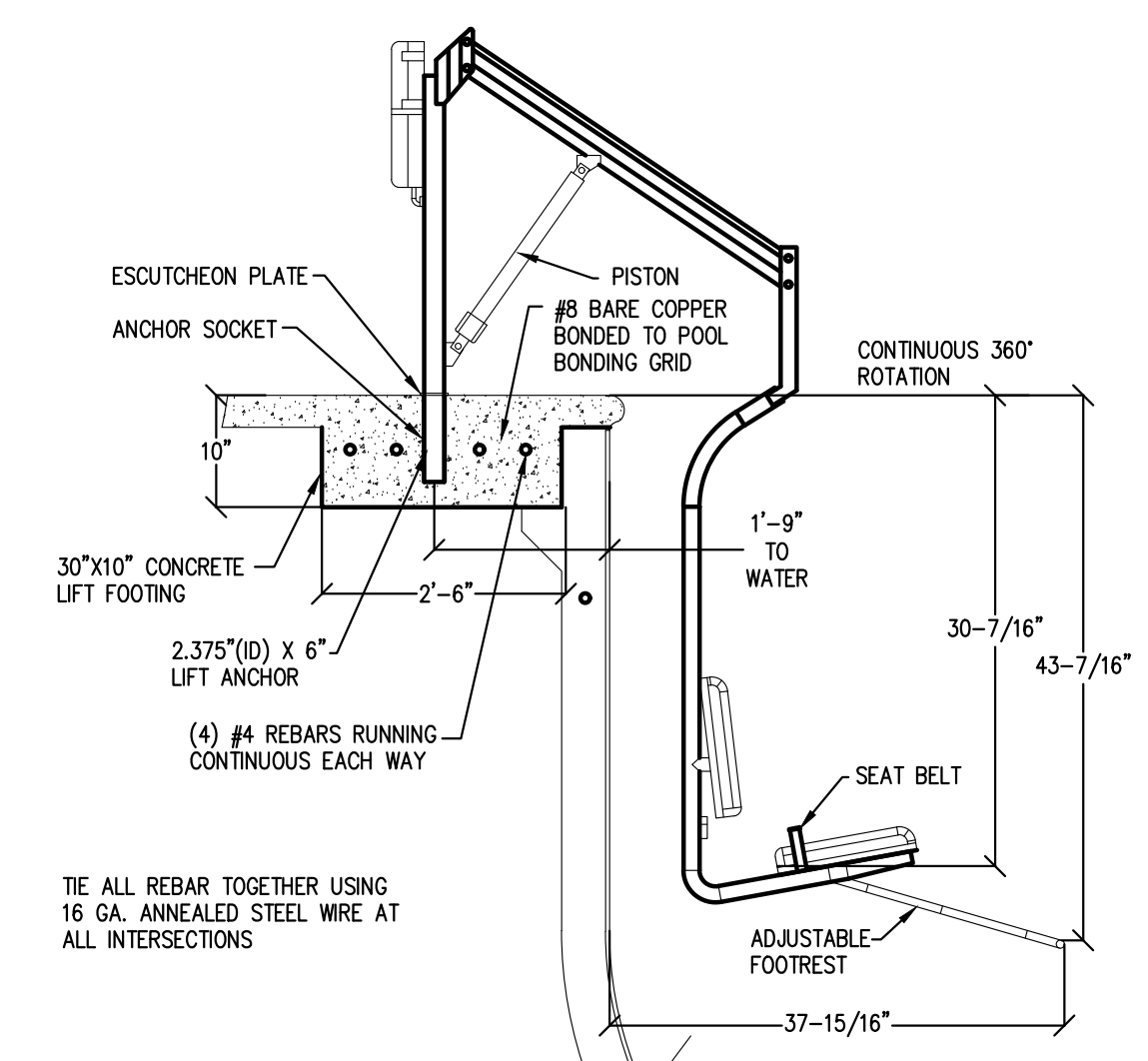
1 POOL SECTION DETAIL
A3 SCALE: NOT TO SCALE



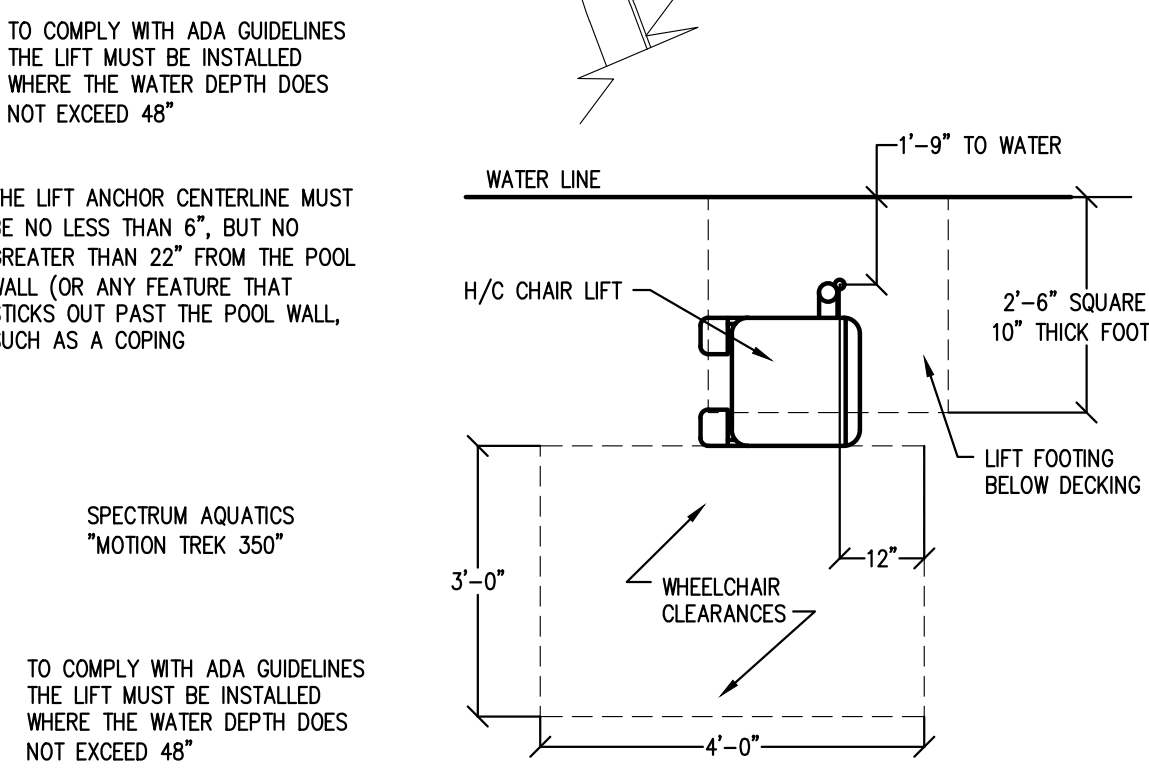
2 COPING DETAIL
A3 SCALE: NOT TO SCALE



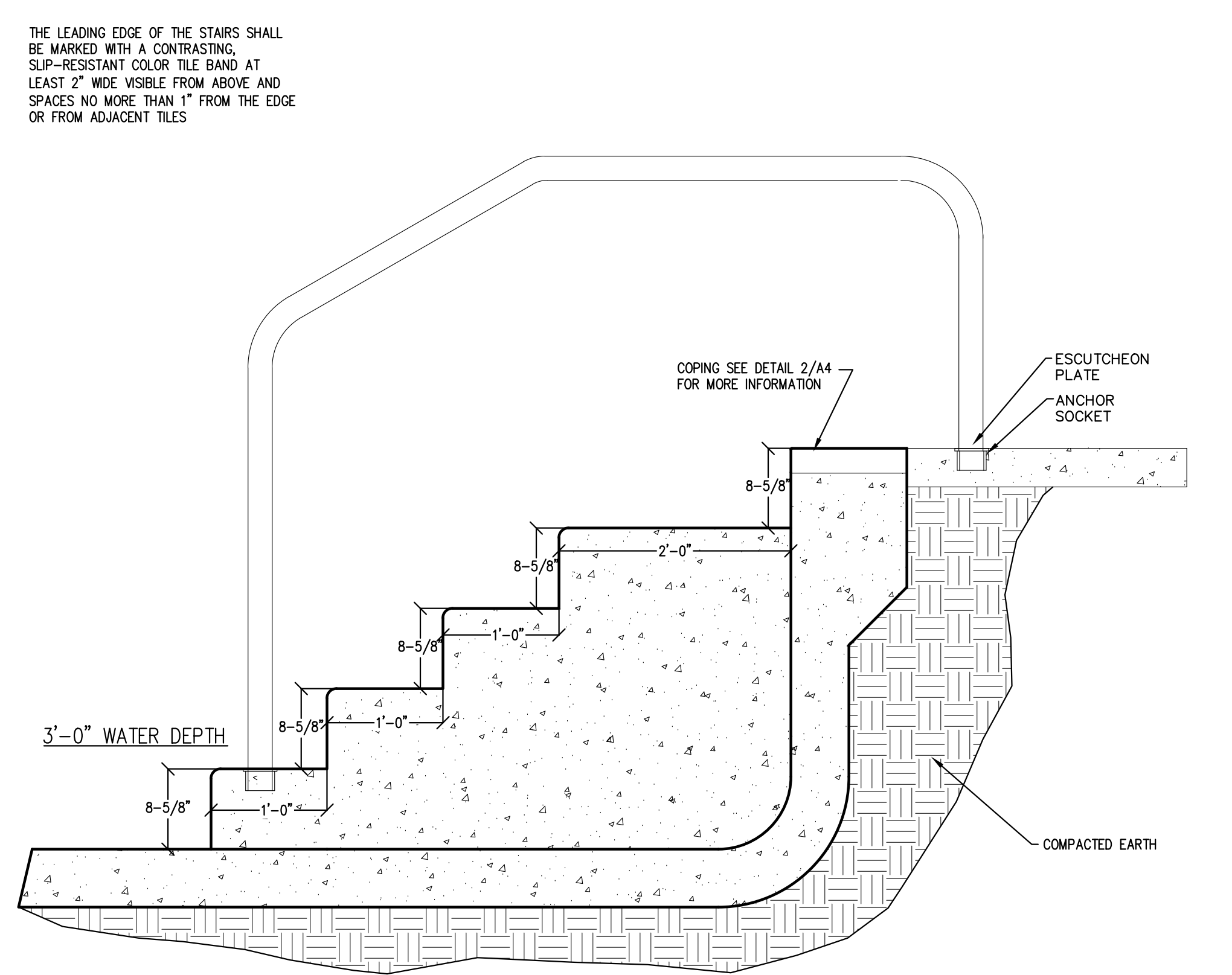
3 DEPTH MARKER DETAIL
A3 SCALE: NOT TO SCALE



5 HANDICAP LIFT DETAIL
A3 SCALE: NOT TO SCALE



6 LADDER DETAIL
A3 SCALE: NOT TO SCALE

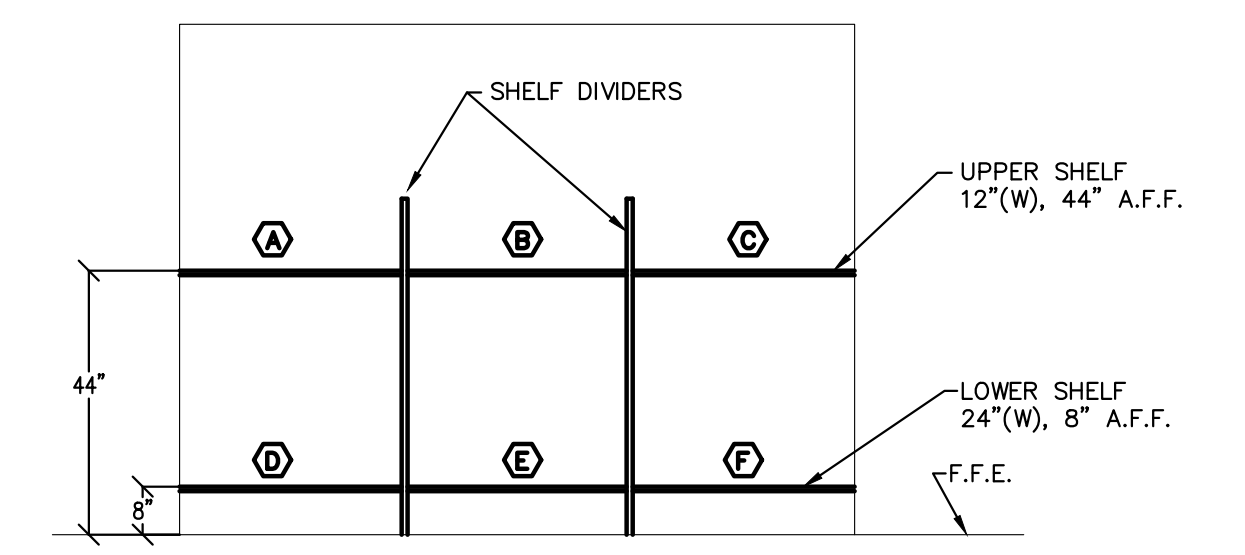


7 MAIN STAIR DETAIL
A3 SCALE: NOT TO SCALE

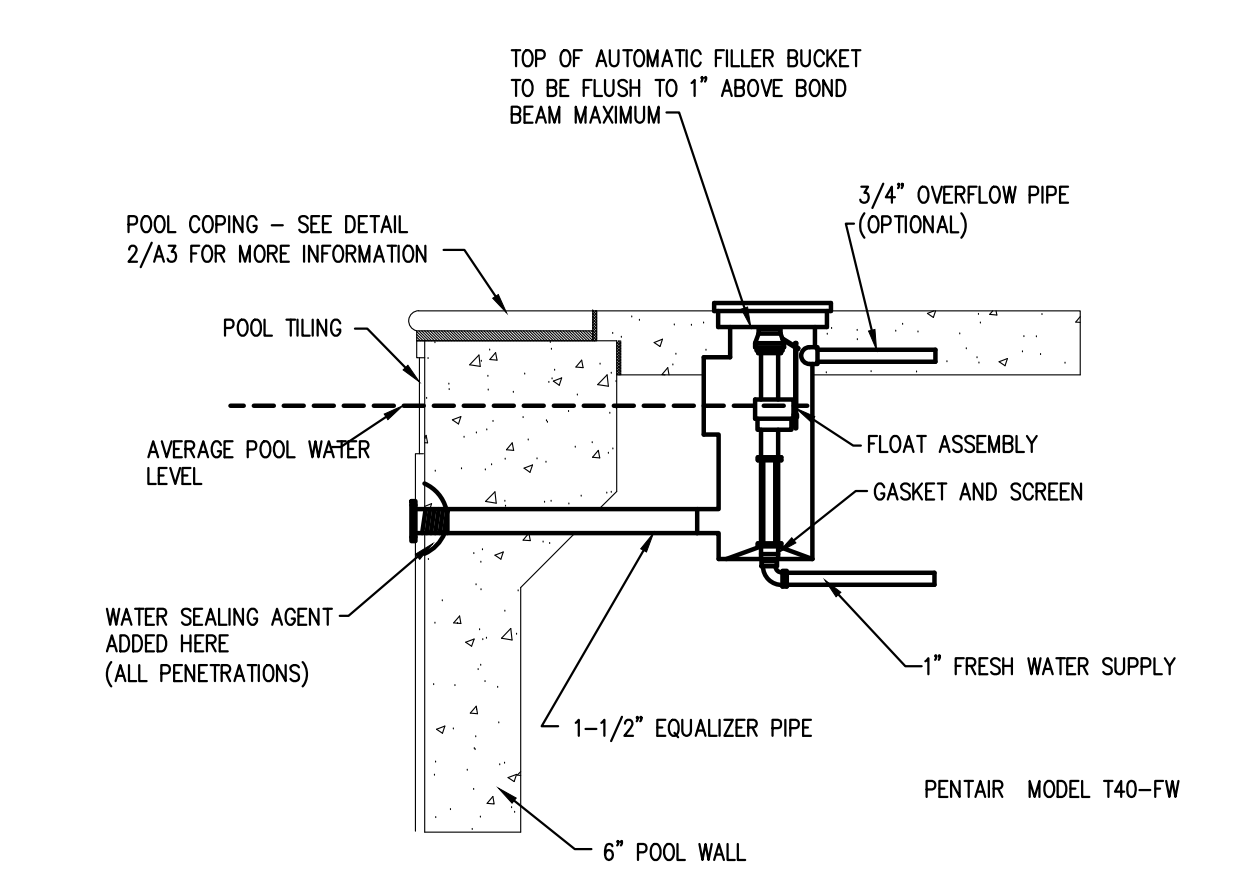
CHEMICAL ROOM SHELVING LAYOUT

TAG	ITEM TYPE	ITEM DESCRIPTION	QUANTITY
A	MISC. SUPPLIES	MISC. SUPPLIES	VARIES
B	ANCILLARIES	GLB ALGIMYCIN 2000, STAINTRINE, ROBARB SUPER BLUE	1 GAL, 1 GAL, 1/2 GAL
C	MISC. SUPPLIES	TEST KITS, THERMOMETERS, CYANURIC ACID	N/A, N/A, 8 LBS
D	OXIDIZER	CALCIUM HYPOCHLORITE	100 LBS
E	PH LOWERING CHEMICALS	MURIATIC ACID	4 GALLONS
F	OXIDIZER	PROTEAM 3 PURETABS (TRICHLOR TABS)	100 LBS
G	BALANCING CHEMICALS	SODIUM BICARBONATE, SODA ASH, CALCIUM CHLORIDE	50 LBS BAGS EACH

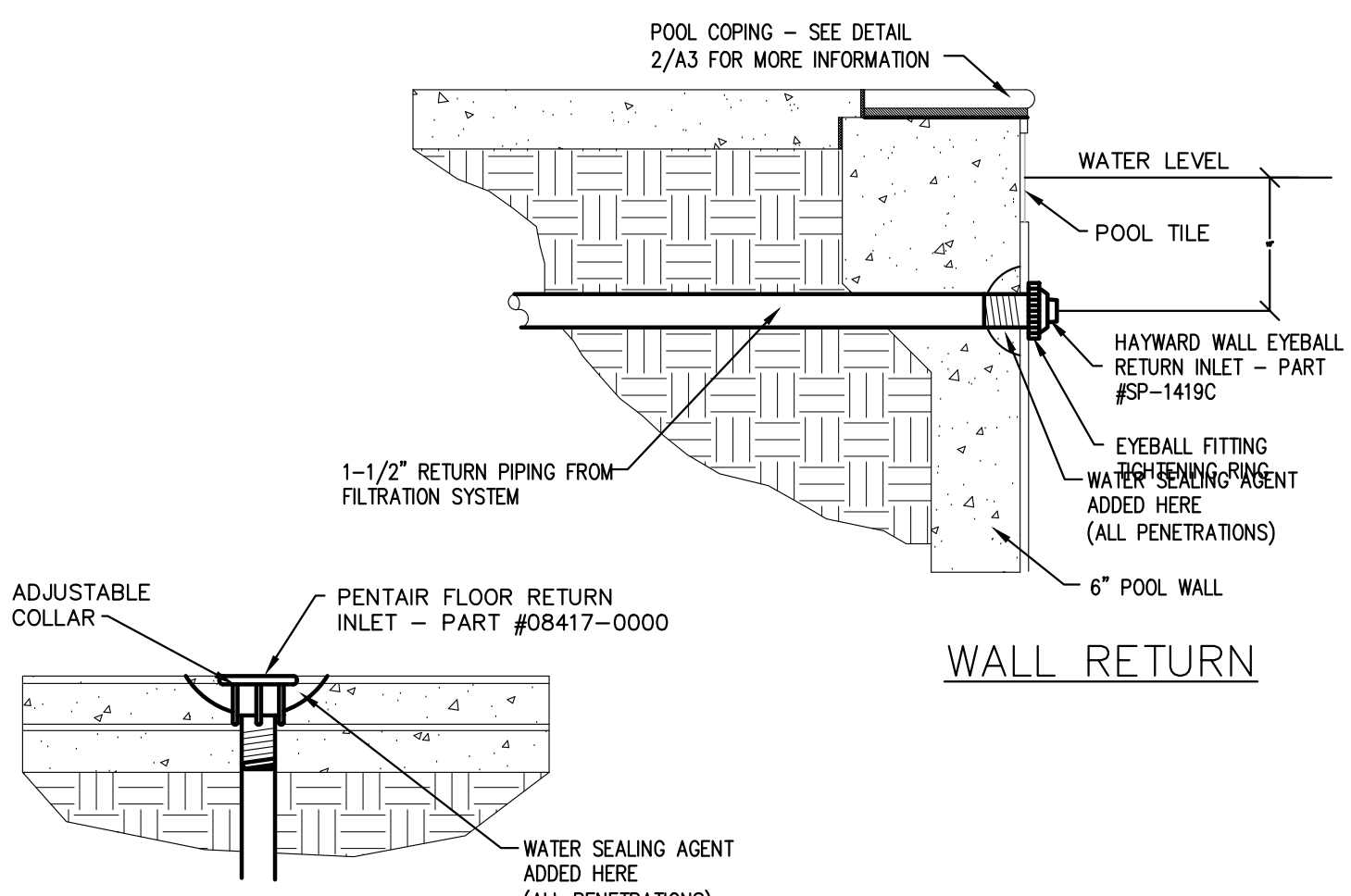
SHELVING & DIVIDERS: WOODEN CONSTRUCTION



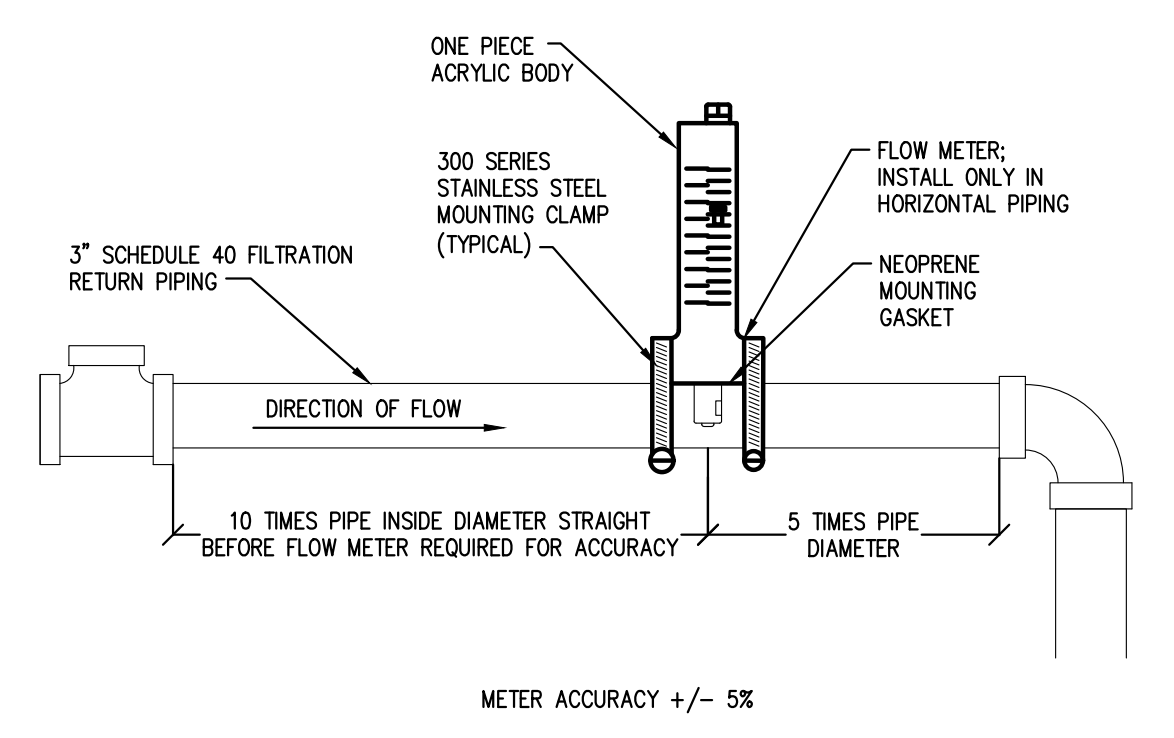
4 CHEMICAL ROOM SHELVING DETAIL
A3 SCALE: NOT TO SCALE



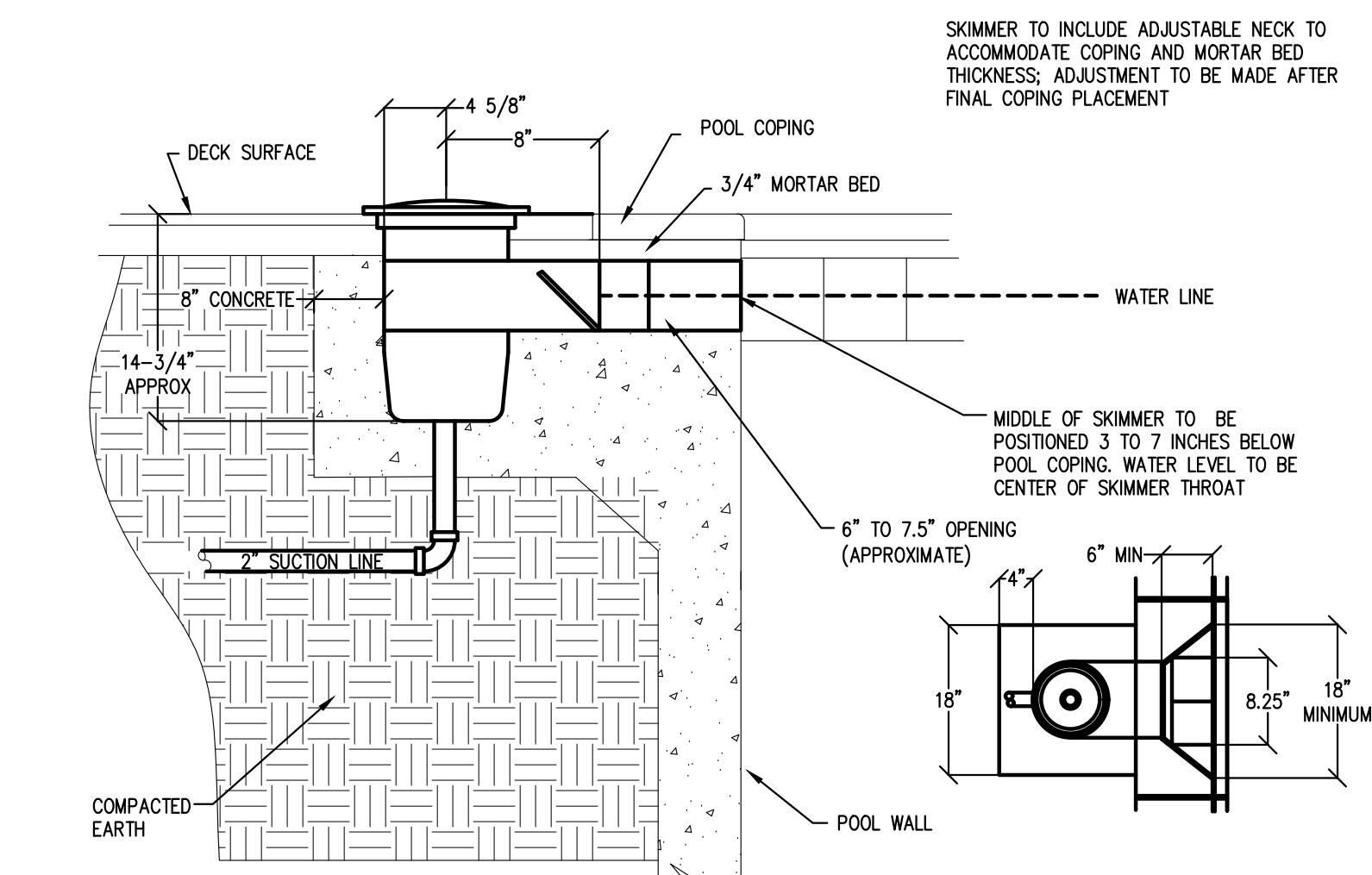
8 AUTOMATIC WATER FILL DETAIL
A3 SCALE: NOT TO SCALE



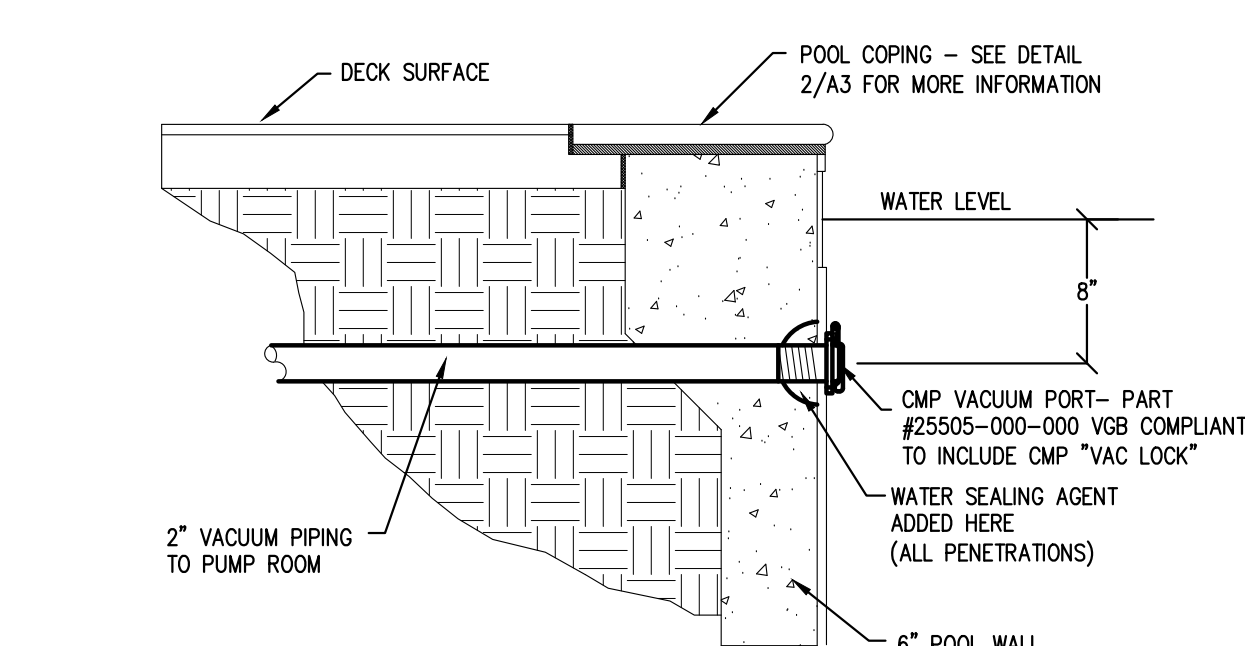
9 WALL & FLOOR RETURN DETAIL
A3 SCALE: NOT TO SCALE



10 HORIZONTAL FLOW METER DETAIL
A3 SCALE: NOT TO SCALE



11 SKIMMER DETAIL
A3 SCALE: NOT TO SCALE



12 VACUUM DETAIL
A3 SCALE: NOT TO SCALE

Robert Charles Evans
2004 HAYFORD ROAD, SUITE 100, FAYETTEVILLE, NORTH CAROLINA



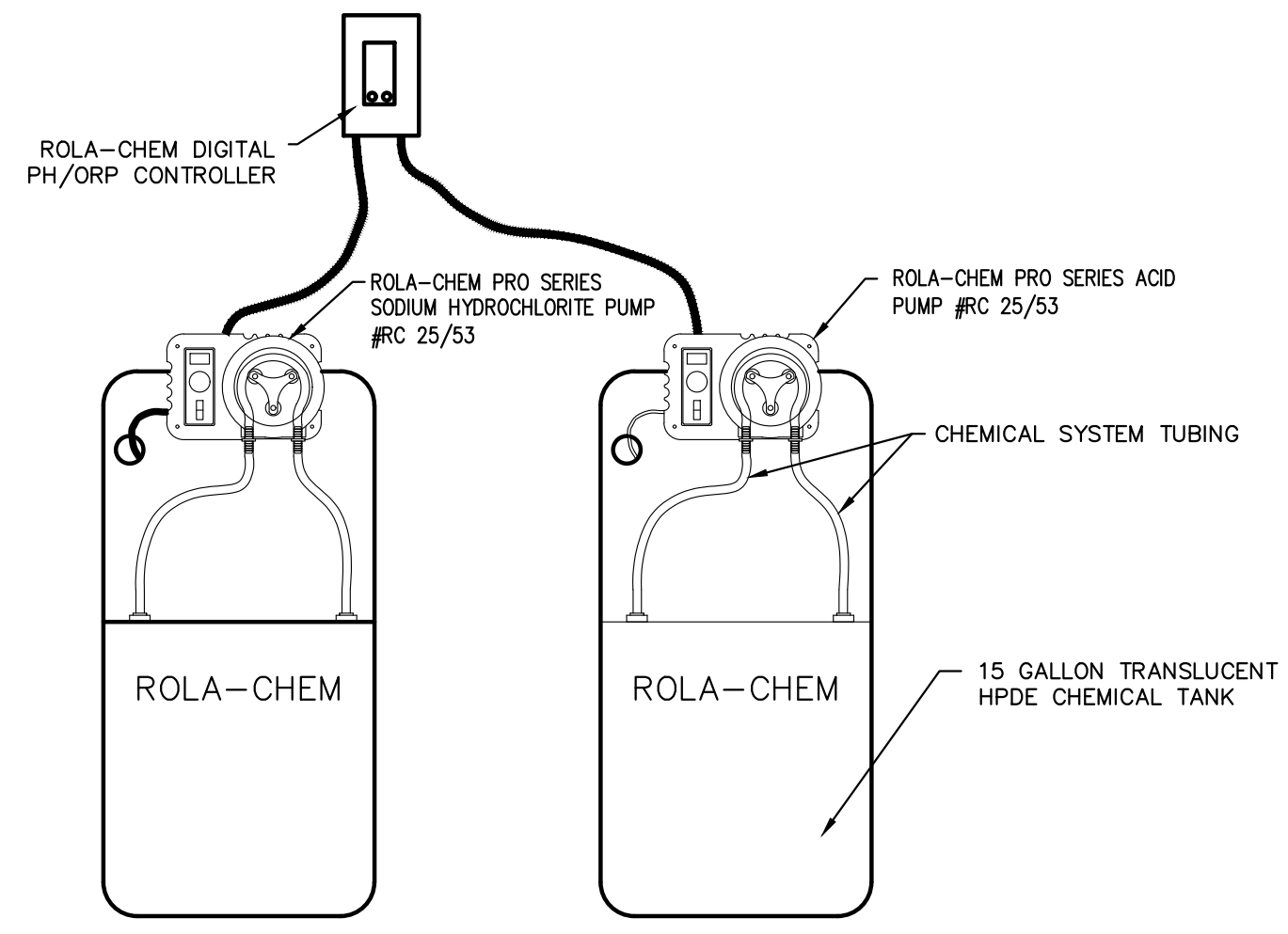
09.06.22

LOCATION:
LEXINGTON PLANTATION
400 CENTENNIAL PARKWAY
CAMERON, NC

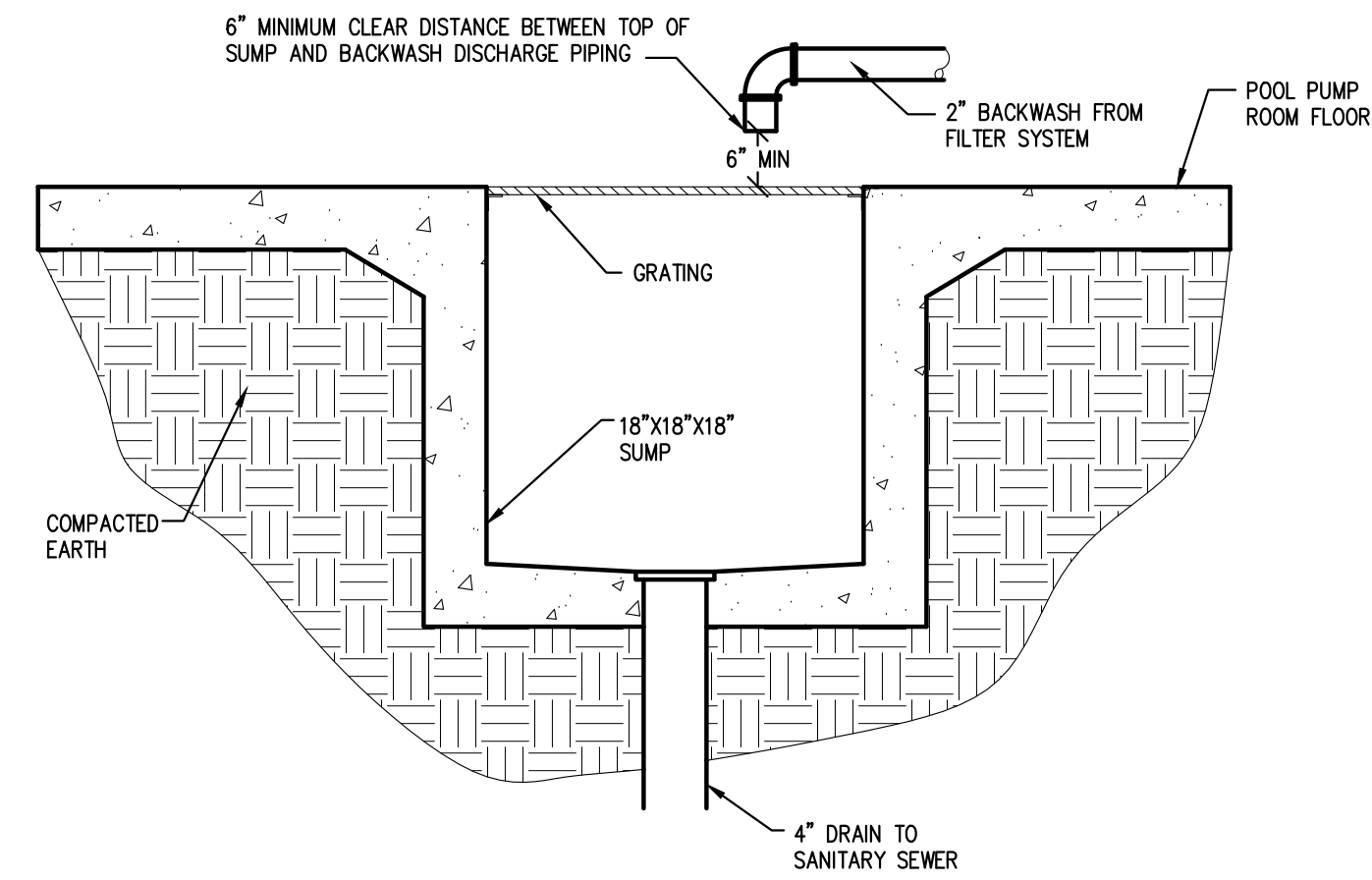
OWNERS:
VILLAGE OF LEXINGTON HOA
PO BOX 87209
FAYETTEVILLE, NC 28304

SHEET NO:

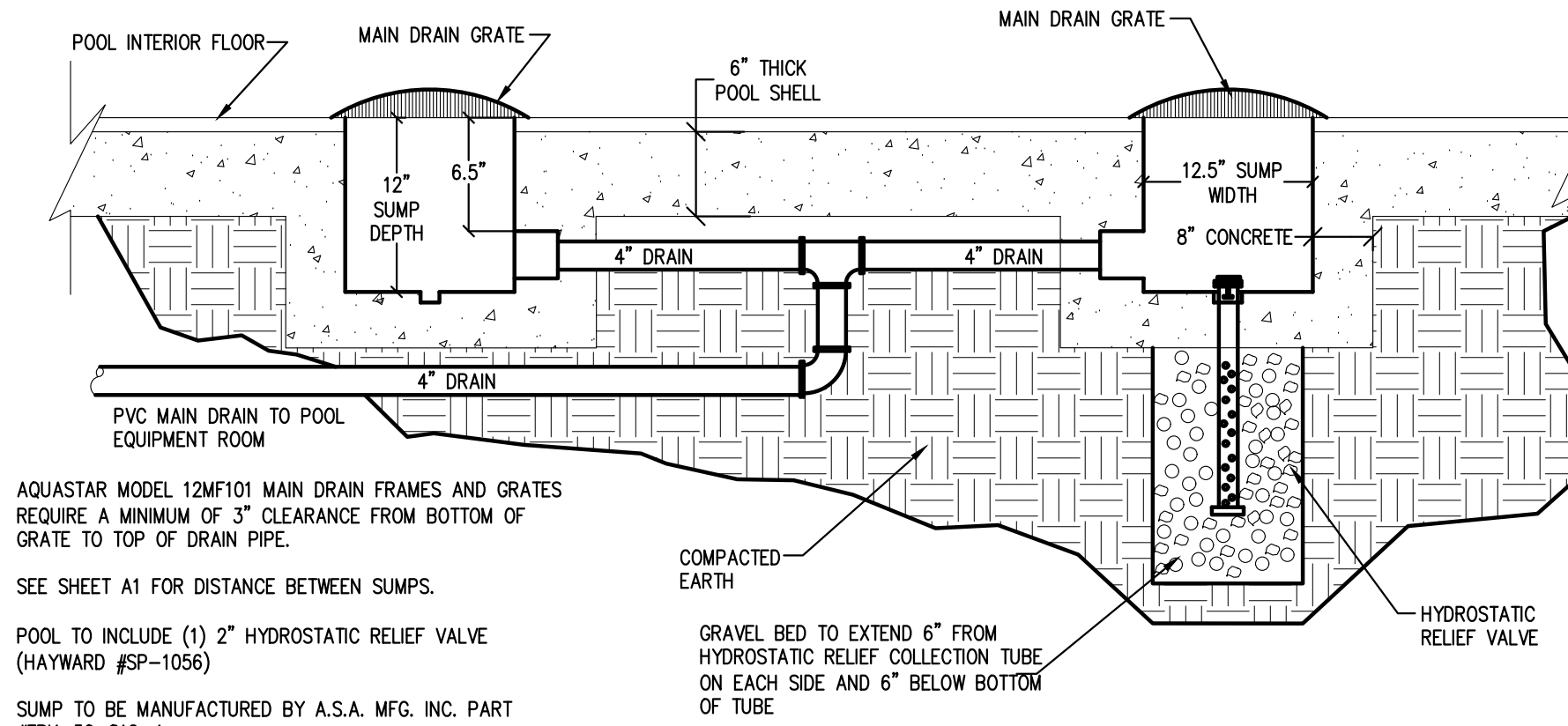
A3



1
A4 2 TANK SANITATION DETAIL
SCALE: NOT TO SCALE



2
A4 SUMP DETAIL
SCALE: NOT TO SCALE



AQUASTAR MODEL 12MF101 MAIN DRAIN FRAMES AND GRATES REQUIRE A MINIMUM OF 3" CLEARANCE FROM BOTTOM OF GRATE TO TOP OF DRAIN PIPE.

SEE SHEET A1 FOR DISTANCE BETWEEN SUMPS.

POOL TO INCLUDE (1) 2" HYDROSTATIC RELIEF VALVE (HAYWARD #SP-1056)

SUMP TO BE MANUFACTURED BY A.S.A. MFG. INC. PART #FK-50-812-4

TAG	SIZE	SERVICE	DRAIN OPENING	PIPE SIZE	SUMP SIZE	PART NUMBER
DR	12"x12"	MAIN DRAIN	71.2 SQ. IN. OPEN AREA; 274 GPM @ 1.2 FPS	4"	12" X 12.5"	AQUASTAR 12MF101

3
A4 MAIN DRAIN/HYDROSTATIC RELIEF DETAIL
SCALE: NOT TO SCALE

Robert Charles Evans
2504 HAYFORD ROAD, SUITE 102, FAYETTEVILLE, NORTH CAROLINA



09.06.22

OWNERS: VILLAGE OF LEXINGTON HOA PO BOX 87209 FAYETTEVILLE, NC 28304	LOCATION: LEXINGTON PLANTATION 400 CENTENNIAL PARKWAY CAMERON, NC	DATE: AUG 11TH 2022	REVISIONS:	SCALE: AS SHOWN	DRAWN: J.PARRISH

SHEET NO:

A4

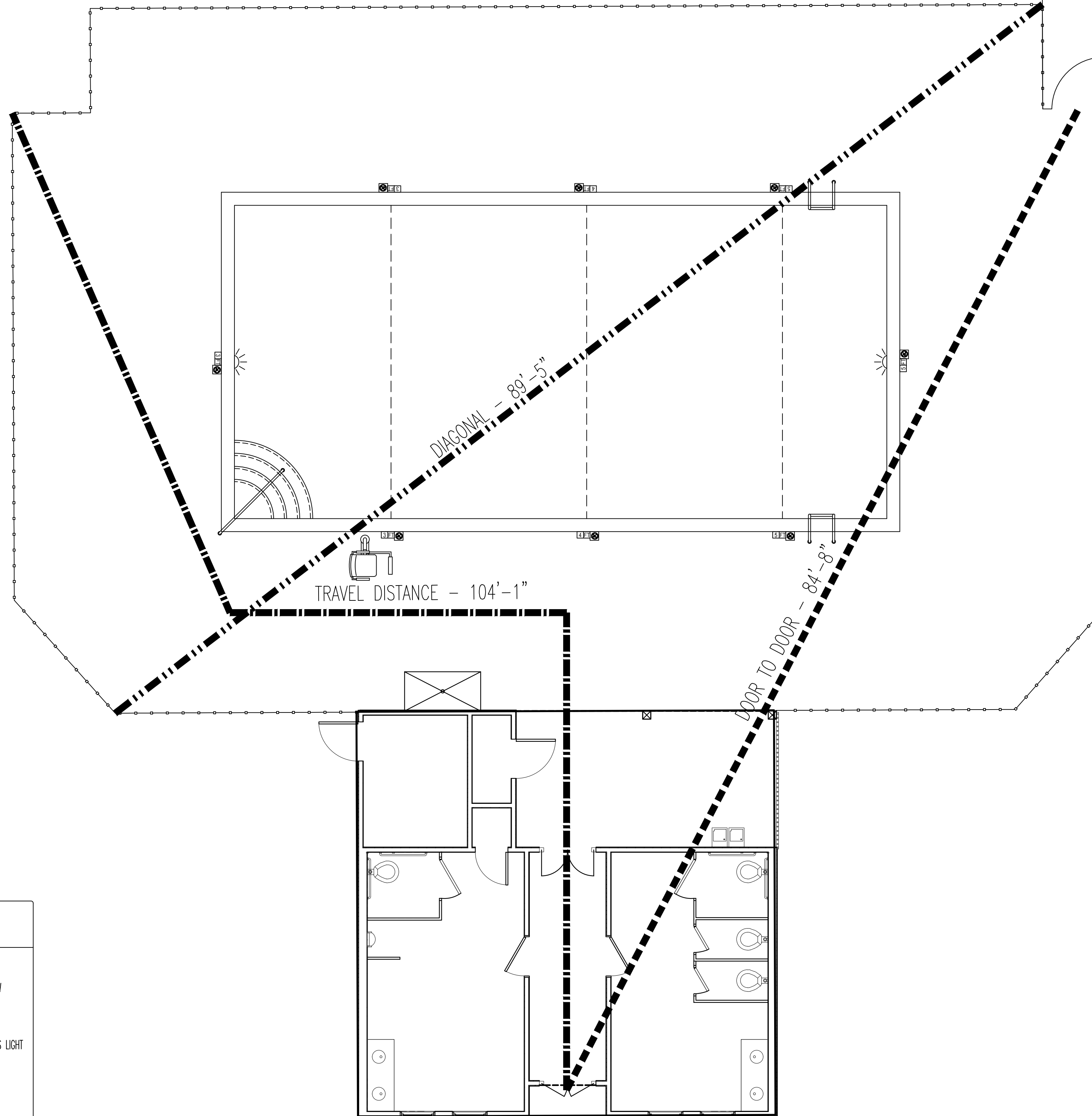
01 LIFE SAFETY PLAN
 AO 3/16" = 1'-0"

OCCUPANT CONTENT

POOL	1,200 sf / 50 =	24 PERSONS
DECK	3,184 sf / 15 =	212 PERSONS
TOTAL OCCUPANT CONTENT		236 PERSONS

NOTES:
 1. SEE ARCHITECTURAL BUILDING PLANS FOR LOCATION OF EXIT LIGHTS, EMERGENCY EGRESS LIGHTS AND FIRE EXTINGUISHERS.

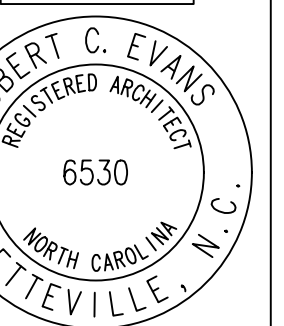
- EXIT SIGN w/ DIRECTIONAL ARROW
- EXIT SIGN
- EXIT SIGN w/ EMERGENCY EGRESS LIGHT
- EMERGENCY EGRESS LIGHT
- FX FIRE EXTINGUISHER



PANIC HARDWARE
 48" / 2' = 240 PERSONS
 ACTUAL PERSONS = 118

PANIC HARDWARE
 48" / 2' = 240 PERSONS
 ACTUAL PERSONS = 118

Robert Charles Evans
 645 PEARL STREET, FAYETTEVILLE, NORTH CAROLINA 28303



09.06.22

LOCATION:
 LEXINGTON PLANTATION
 400 CENTENNIAL PARKWAY
 CAMERON, NC

OWNERS:
 VILLAGE OF LEXINGTON HOA
 PO BOX 87209
 FAYETTEVILLE, NC 28304

DATE: September 6, 2022

SCALE: AS SHOWN

DRAWN: J.PARRISH

SHEET NO:

A5