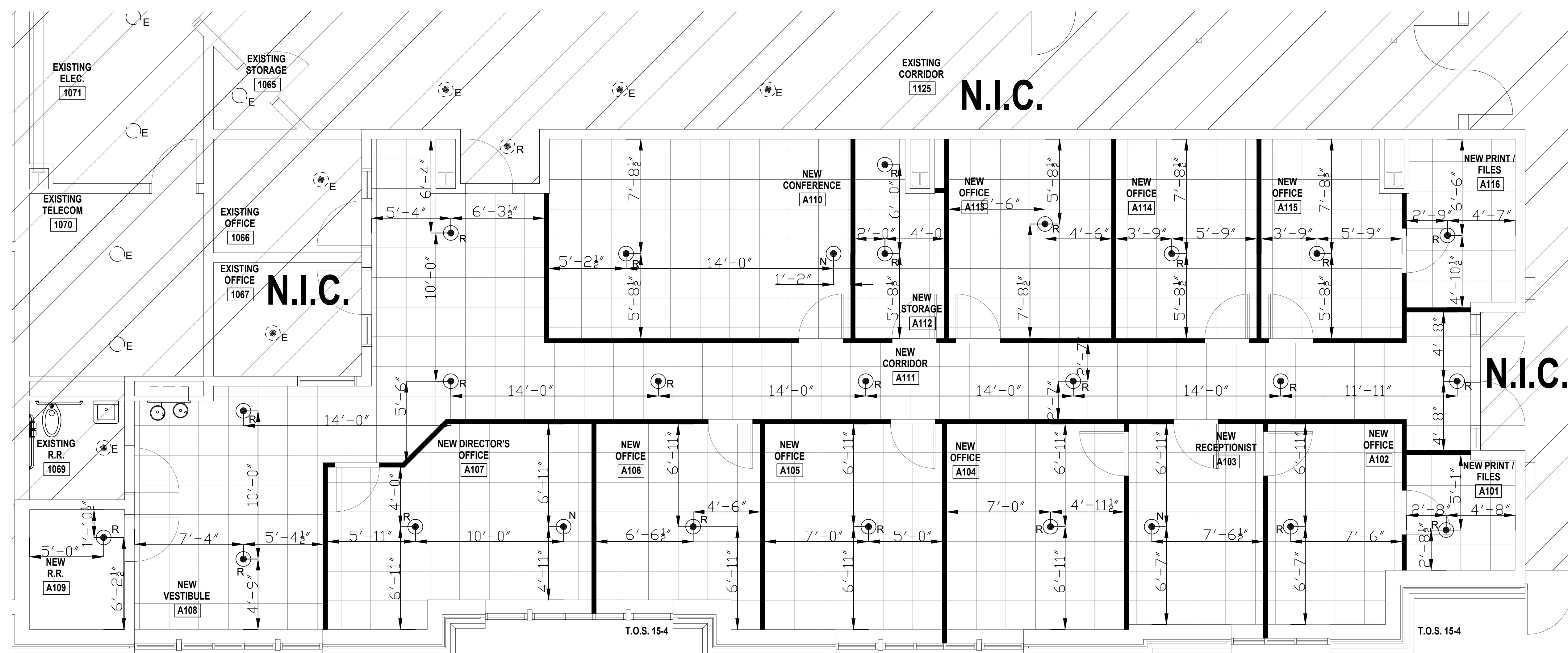


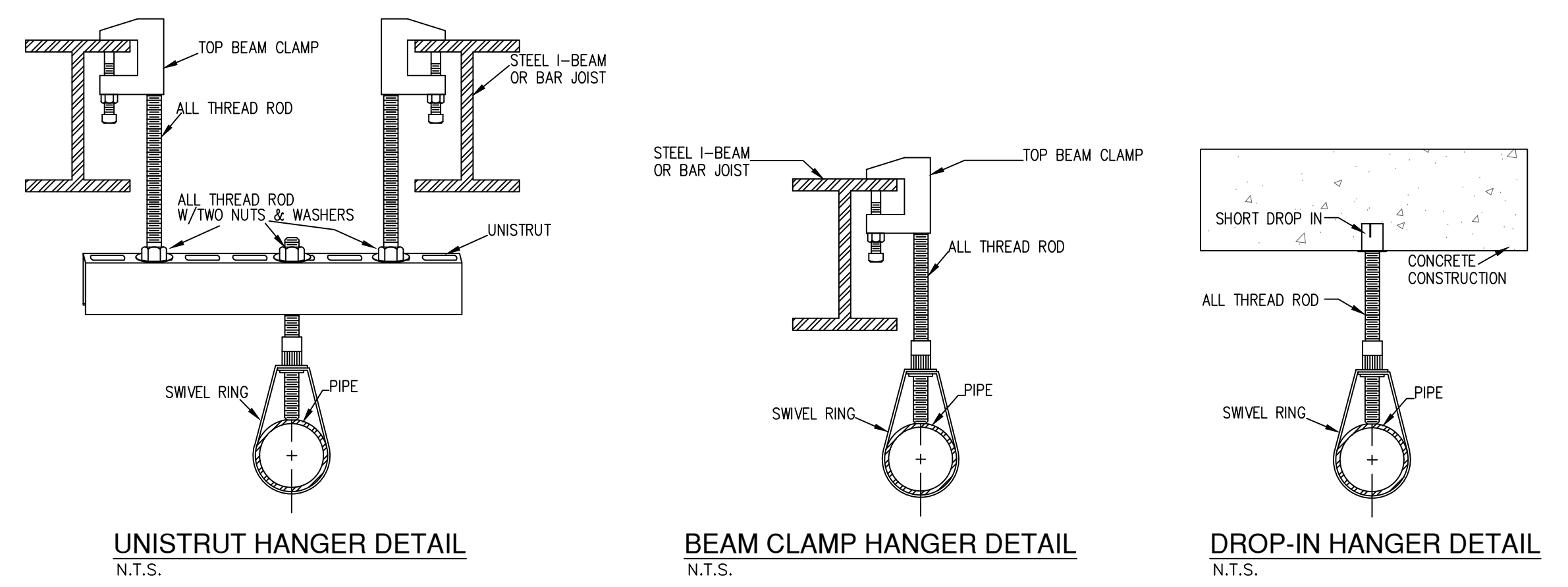
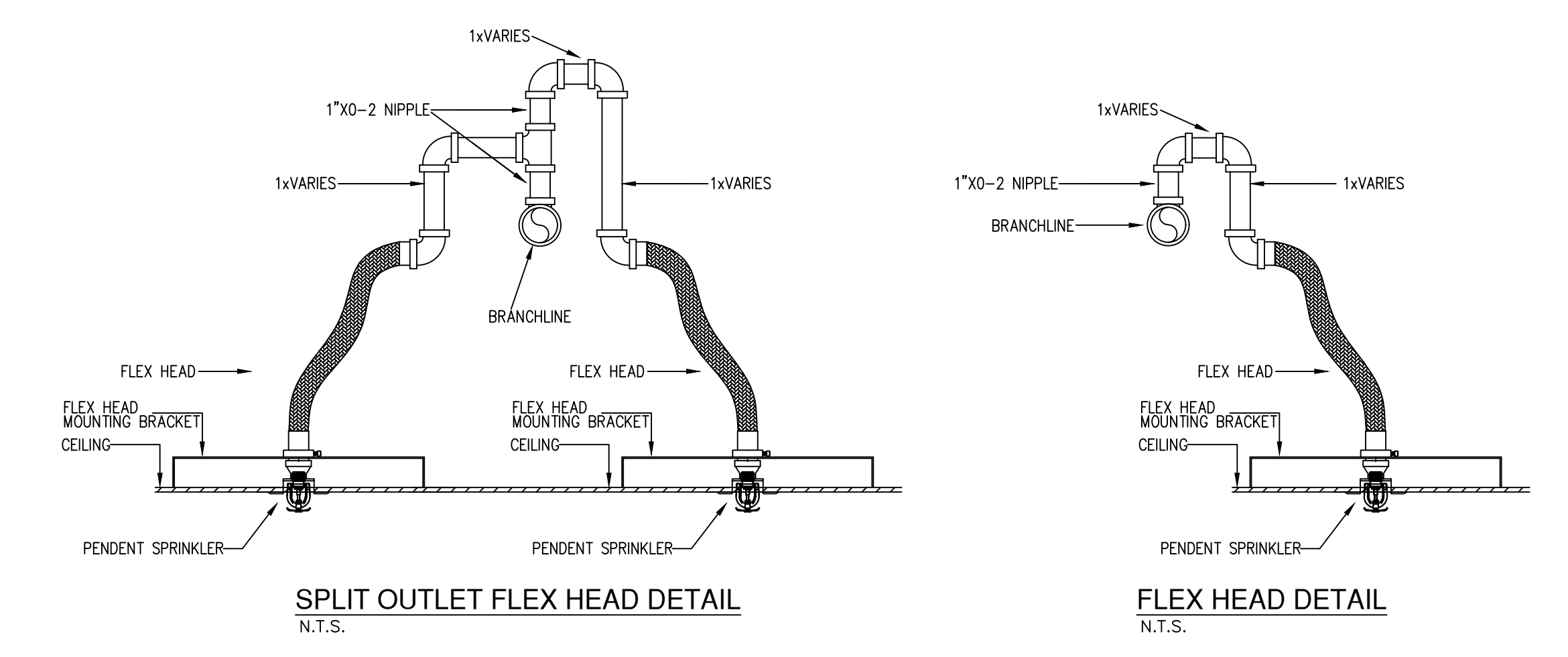
SPRINKLER PIPING PLAN
SCALE: 1/4" = 1'-0"



SPRINKLER CEILING PLAN
SCALE: 1/4" = 1'-0"

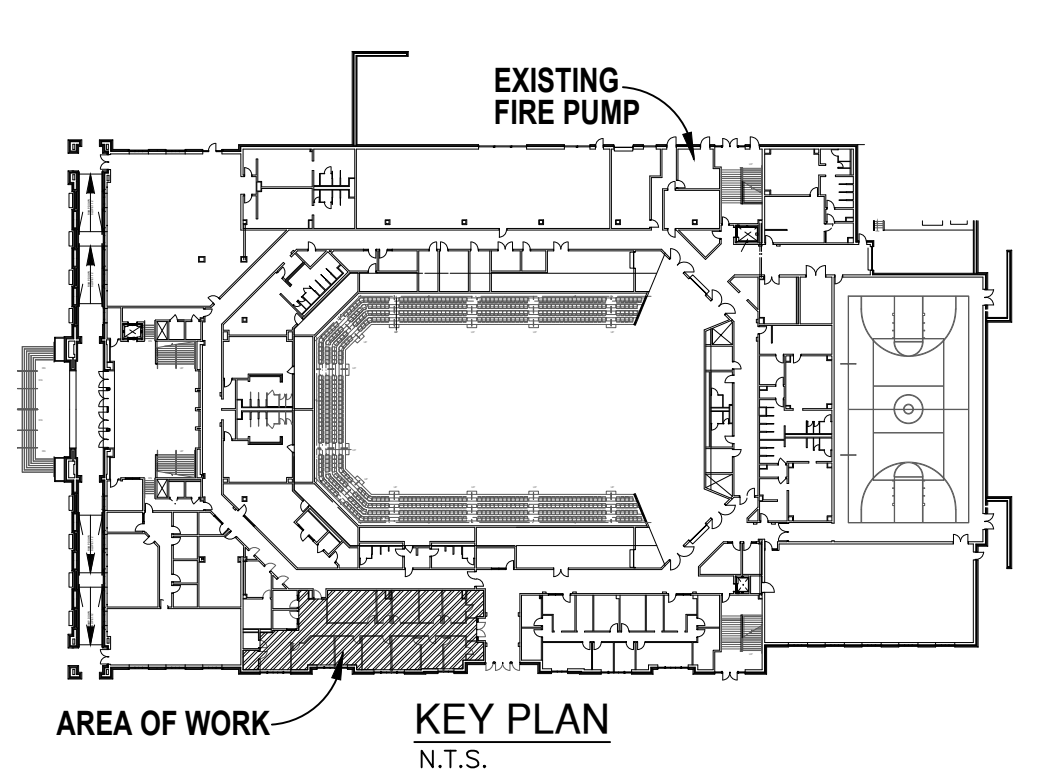
SPRINKLER DESIGN DATA			
PROJECT NAME:	Campbell Convocation Office	SYSTEM NO.:	Wet
PROJECT LOCATION:	56 Main Street Buies Creek, NC 27506	SYS. SQ. FT.:	VARIABLES
DESIGNED BY:	Crossroads Fire Protection	CEILING HGT.:	VARIABLES
OCCUPANCY DESCRIPTION:	Office	TOTAL BLDG. HGT.:	30-0 + 7'
		HAZARD CLASS:	Light
DESIGN SUMMARY			
DESIGN METHOD:	N/A		
DESIGN AREA NO.:	N/A		
LOCATION:	N/A		
TYPE OF SYSTEM:	WET		
HAZARD CLASS:	LIGHT HAZARD		
CRITERIA FROM:	NFPA 13		
DESIGN AREA:	N/A		
SPKLR. SPACING:	225 MAX		
DENSITY:	1		
K-FACTOR:	5.6K		
HOSE ALLOWANCE:	N/A		
# DESIGN SPKLR.:	N/A		
REQUIREMENTS:	N/A		
GPM REQUIRED:	N/A		
PSI REQUIRED:	N/A		
NOISE#:	N/A		
SAFETY FACTOR:	PSI		
	N/A		

REVIEWER'S NOTE:
TENANT UP-FIT DOES NOT HYDRAULICALLY EXCEED THE ORIGINAL DESIGN OF THE SHELL BUILDING

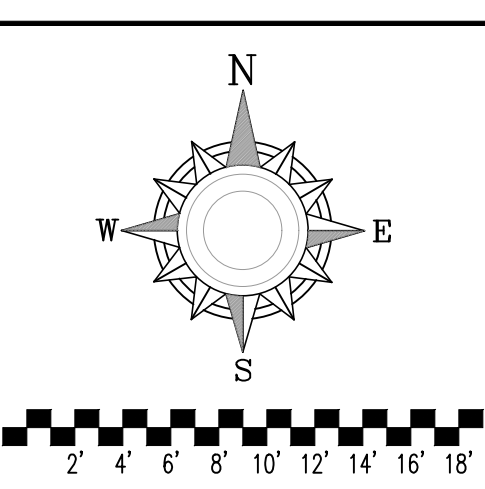


HANGER INSTALLATION REQUIREMENTS									
NOMINAL PIPE SIZE	1/2"	3/4"	1"	1 1/4"	1 1/2"	2"	2 1/2"	3"	4"
STEEL PIPE (10/4)	N/A	12' 0"	12' 0"	12' 0"	15' 0"	15' 0"	15' 0"	15' 0"	15' 0"

100 PSI STATIC PRESSURE ON SYSTEM REQUIRES UP-LIFT RESTRAINT WITHIN 12 INCHES HORIZONTALLY OF HEAD FOR ARM-OVERS AND END OF BRANCH LINE
THE UNSUPPORTED LENGTH BETWEEN THE END SPRINKLER AND THE LAST HANGER ON THE LINE SHALL NOT EXCEED 36" FOR 1" PIPE, 48" FOR 1 1/4" PIPE, AND 60" FOR 1 1/2" PIPE OR LARGER
THE CUMULATIVE HORIZONTAL LENGTH OF AN UNSUPPORTED ARM-TO-A SPRINKLER, SPRINKLER DROP, OR SPRIG-UP SHALL NOT EXCEED 24"



- LEGEND**
- DENOTES EXISTING FIRE PROTECTION PIPING
 - DENOTES NEW FIRE PROTECTION PIPING
 - DENOTES RISE IN PIPE
 - DENOTES PENDENT
 - DENOTES UPRIGHT
 - DENOTES EXISTING UPRIGHT
 - DENOTES EXISTING PENDENT
- GENERAL NOTES**
- ALL WORK SHALL BE IN FULL COMPLIANCE WITH NFPA 13, 2013 Ed., HARNETT COUNTY, AND THE NORTH CAROLINA STATE BUILDING CODE.
 - ALL LABOR AND MATERIALS REQUIRED SHALL BE FOR ONE COMPLETE WORKING SYSTEM WHICH MEETS ALL REQUIREMENTS OF NFPA 13 2013 Ed., HARNETT COUNTY, AND THE NORTH CAROLINA STATE BUILDING CODE.
 - ALL MATERIALS AND EQUIPMENT SHALL BE NEW, UL LISTED AND FM APPROVED FOR THE INTENDED USE AND SHALL BE INSTALLED IN FULL COMPLIANCE WITH MANUFACTURER'S RECOMMENDATIONS.
 - SPRINKLER HEADS ARE SPACED PER LIGHT HAZARD SPACING NOT TO EXCEED 225 SQ. FT.
 - ALL NEW 1" PIPE TO BE BLACK STEEL, SCH. 40 WITH THREADED ENDS AND JOINED BY BLK. DUCTILE IRON THREADED FITTINGS.
 - PIPE HANGERS TO BE INSTALLED PER NFPA 13.
 - NO HYDRAULIC CALCULATIONS WERE PERFORMED. DOES NOT EXCEED THE EXISTING SPRINKLER DEMAND.
 - SMALL ROOM RULE USED PER NFPA 13 2013ED. 8.6.3.2.4.1

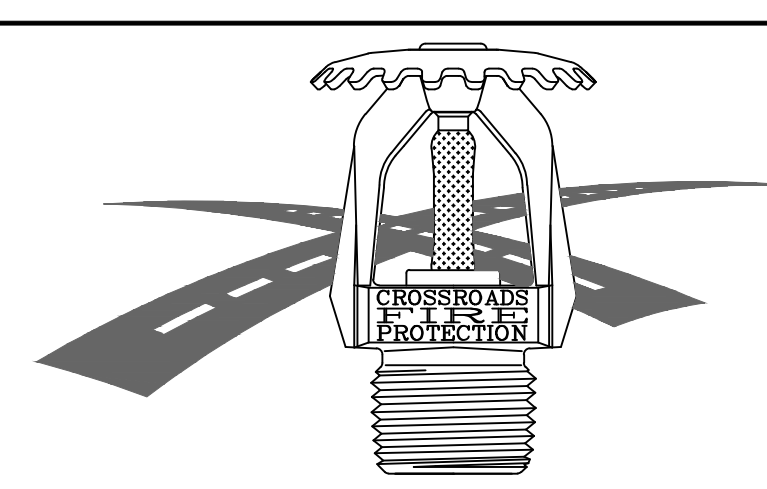


IMPORTANT
Building areas subject to freezing conditions, it is the owner's responsibility to provide heat throughout the wet pipe sprinkler system areas and in enclosures for dry pipe, deluge, and other types of valves controlling water supplies to sprinkler systems.

REVISIONS		
DATE	DESCRIPTION	BY

SPRINKLER SYMBOLS DESCRIPTION										
SYMBOL	SIZE	TEMP	STYLE	MAKE	MODEL/SIN	FINISH	ESCUTCHEON	K-FACTOR	RESPONSE	QUANTITY
○	1 1/2"	155	SSP	TYCO	TY-323	CHROMB	RECESSED	5.6K	QR	26
○	1 1/2"	155	SSP	TYCO	TY-323	CHROMB	RECESSED	5.6K	QR	26
○	1 1/2"	155	SSU	TYCO	TY-323	BRASS	UPRIGHT	5.6K	QR	26
TOTAL SPRINKLERS THIS SHEET										26
TOTAL SPRINKLERS ON JOB										26

CHECKED BY:
JOHN PITCHER
DODD L. JOHNSON
NICKY LEVEL III #117911
NC LICENSE NUMBER: 16330



Crossroads Fire Protection Inc
809 South Market Street
P.O. Box 926
Benson, NC 27504
(919) 207-3855

Campbell Convocation Office
56 Main Street
Buies Creek, NC 27506
CONTRACTOR: Southeastern

Fire Sprinkler Plan	
PERMIT NO.	CC-9216
CONTRACT NO.	CC-9216
APPROVAL	Harnett County
DRAWN BY	DLN
SCALE	As Noted
DATE	1-17-2022
REVISED	
PLOTTED	FP1 OF 1