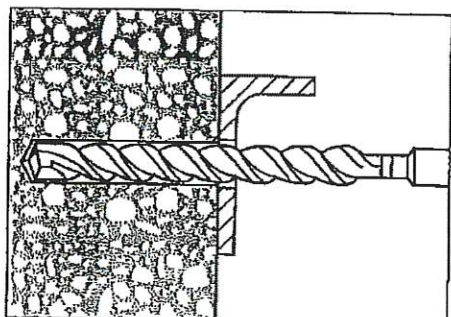
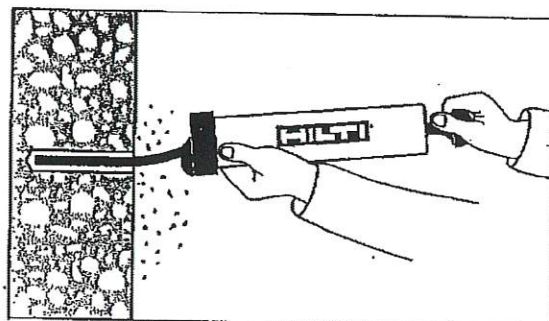


NC20262

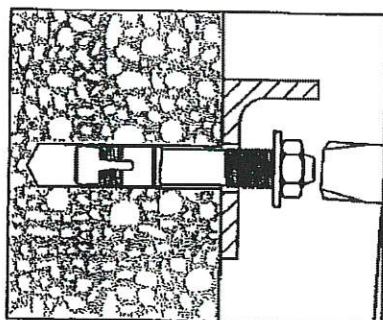
Kwik Bolt 3 Expansion Anchor Installation Instructions



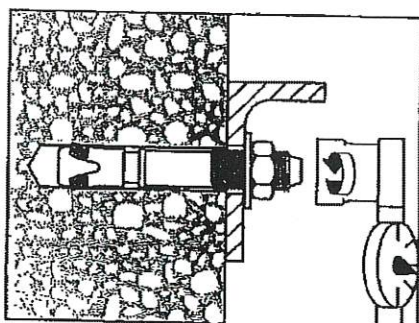
1. Hammer drill a hole to the same nominal diameter as the Kwik Bolt 3. The hole depth must exceed the anchor embedment by at least one diameter. The fixture may be used as a drilling template to ensure proper anchor location.



2. Clean hole.

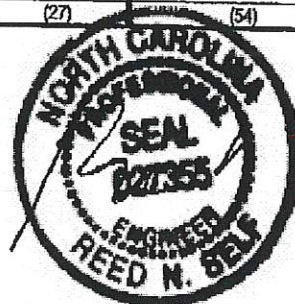


3. Drive the Kwik Bolt 3 into the hole using a hammer. The anchor must be driven until at least six threads are below the surface of the fixture.



4. Tighten the nut to the recommended installation torque.

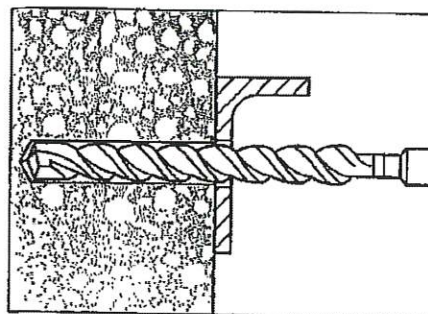
DESIGN INFORMATION	Units	Nominal Anchor Diameter			
		1/4	3/8	1/2	3/4
Installation torque	ft*lb	4	20	40	110
	(Nm)	(5)	(27)	(54)	(149)



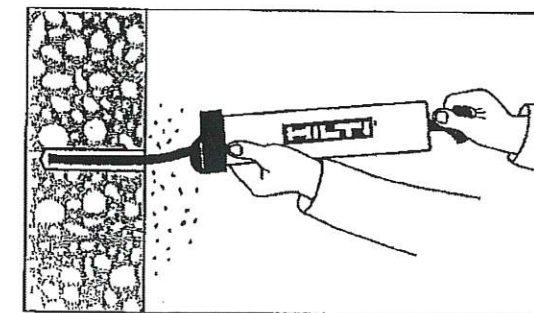
5-26-16

REVISIONS	DATE	BY

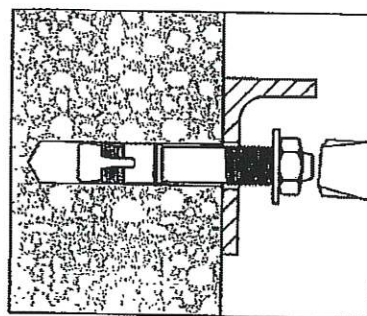
Kwik Bolt TZ Anchor Installation Instructions into normal-weight and lightweight concrete



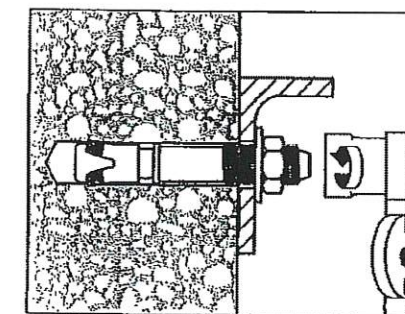
1. Hammer drill a hole to the same nominal diameter as the Kwik Bolt TZ. The hole depth must exceed the anchor embedment by at least 1/4 inch. The fixture may be used as a drilling template to ensure proper anchor location.



2. Clean hole.



3. Drive the Kwik Bolt TZ into the hole using a hammer. The anchor must be driven until at least 4 threads are below the surface of the fixture.



4. Tighten the nut to the recommended installation torque.

SETTING INFORMATION	Units	Nominal anchor diameter (in.)			
		3/8	1/2	5/8	3/4
Installation torque	ft-lb	25	40	60	110
	(Nm)	(34)	(54)	(81)	(149)



228 COMMERCE BLVD.
STATESVILLE, NC 28625
(800)654-7813

SHEET TITLE:

Kwik Bolt Anchor Installation Instructions

DRAWN BY:

BDL

APPROVED BY:

DRAWING NUMBER:

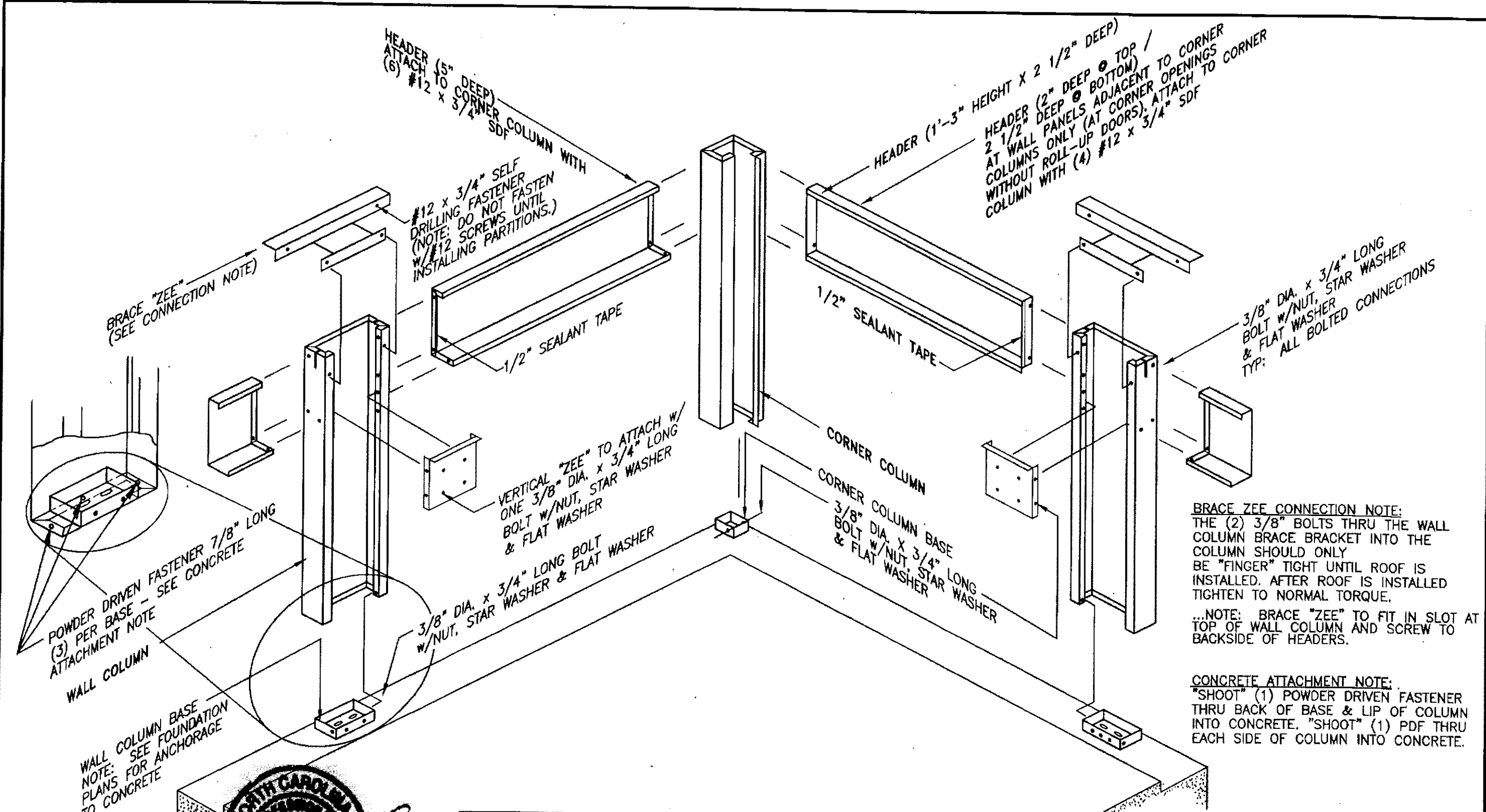
SCALE:

NTS

DATE:

11/8/2011

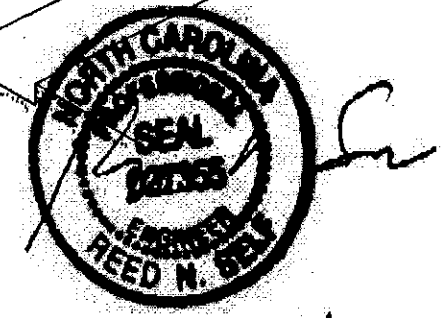
ERC016X



BRACE ZEE CONNECTION NOTE:
 THE (2) 3/8" BOLTS THRU THE WALL COLUMN BRACE BRACKET INTO THE COLUMN SHOULD ONLY BE "FINGER" TIGHT UNTIL ROOF IS INSTALLED. AFTER ROOF IS INSTALLED TIGHTEN TO NORMAL TORQUE.

...NOTE: BRACE "ZEE" TO FIT IN SLOT AT TOP OF WALL COLUMN AND SCREW TO BACKSIDE OF HEADERS.

CONCRETE ATTACHMENT NOTE:
 "SHOOT" (1) POWDER DRIVEN FASTENER THRU BACK OF BASE & LIP OF COLUMN INTO CONCRETE. "SHOOT" (1) PDF THRU EACH SIDE OF COLUMN INTO CONCRETE.



5-26-16

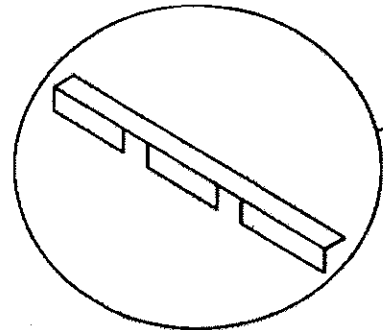
REVISIONS	DATE	BY

BETCO
 228 COMMERCE BLVD.
 STATESVILLE, NC 28625
 (800)654-7813

SHEET TITLE: PERIMETER WALL ASSEMBLY All Eave Heights		
DRAWN BY: J Pope	APPROVED BY:	DRAWING NUMBER:
SCALE: NTS	DATE: 6/17/94	ERC100X

CONTROL JOINT BRACE (S20139)
 ATTACH TO HEADERS w/(2)
 #12 x 1/8" SDF AT EACH HEADER
 (TOTAL OF 4 SCREWS)
 FIELD NOTCH IF NECESSARY TO FIT OVER
 CONTROL JOINT COLUMN. SEE ISOMETRIC
 VIEW BELOW. NOTE: LOCATION OF NOTCHES
 TO BE DETERMINED FROM WIDTH OF C.J. COLUMN

CONTROL JOINT COLUMN (HALF)



CONTROL JOINT COLUMN (HALF)

C.J. COLUMN EXPANSION TRIM

#10 x 5/8" SDF (PP) (8) EACH SIDE

SLAB RECESS

HEADER

1/8" P.D.F. (2) EA. SIDE

#12 x 1/8" SDF

FIELD CUT ANGLE SA-2 FOR
 VERTICAL 'ZEE' ATTACHMENT
 AT WALL COLUMNS. POSITION
 ACCORDING TO 'YZ' LENGTH
 FASTEN TO C.J. COLUMN w/(2)
 #12 x 1/8" SDF EA. END...

CONTROL JOINT COLUMN (HALF)

FIELD CUT ANGLE SA-2 FOR
 VERTICAL 'ZEE' ATTACHMENT
 AT BASE OF COLUMN...
 'SHOOT' TO FOUNDATION
 w/(2) 1/8" P.D.F. ...

#12 x 1/8" SDF
 (4) PER ANGLE

SEALANT TAPE
 1/8" thick x 1/2" wide

C.J.C. EXPANSION TRIM
 #10 x 5/8" SDF (PP)
 (4) EACH SIDE

CONTROL JOINT BRACE
 FOR ROOF PAN
 ATTACHMENT AT TOP OF
 COLUMN... FASTEN TO
 HEADER WITH #12 x 1/8"
 SDF EACH END
 (SEE ISOMETRIC VIEW)

3/8" DIA. x 3/4" LG. BOLT,
 NUT, FLAT WASHER &
 STAR WASHER

CONTROL JOINT COLUMN (HALF)

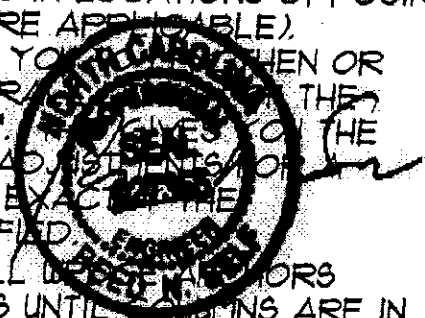
C.J.C. EXPANSION TRIM
 BRACKET... (2) REQUIRED...
 (1) AT 1/3 OF COLUMN HGT.
 & (1) AT 2/3 OF COLUMN HGT.

#12 x 1/8" SDF
 (2) PER BRACKET

1/2" DIA. x 3 3/4" LG.
 WEDGE ANCHOR

NOTE: ADJUSTABLE 'CONTROL JOINT COLUMNS'
 (C.J.C.'s) ARE TO BE USED IN LIEU OF
 SIDEWALL COLUMNS IN LOCATIONS OPPOSING
 EACH OTHER (WHERE APPLICABLE).
 THE C.J.C.'S ALLOW YOU TO LENGTHEN OR
 SHORTEN THE OVERLAP OF THE
 BLDG. BY UP TO 2'. THE
 ABILITY TO MAKE ADJUSTMENTS TO THE
 SLAB THAT IS NOT EXACT TO THE
 DIMENSIONS SPECIFIED.

DO NOT INSTALL WEDGE ANCHORS
 IN C.J.C. LOCATIONS UNTIL ANCHORS ARE IN
 PLACE & ADJUSTED AS REQUIRED.



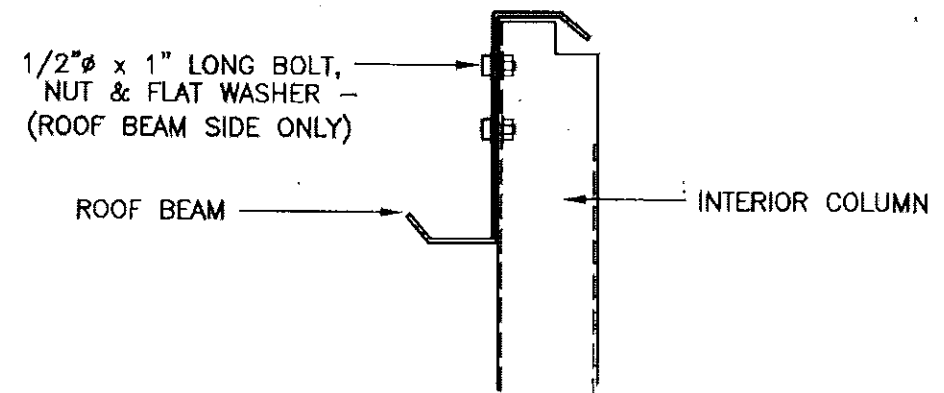
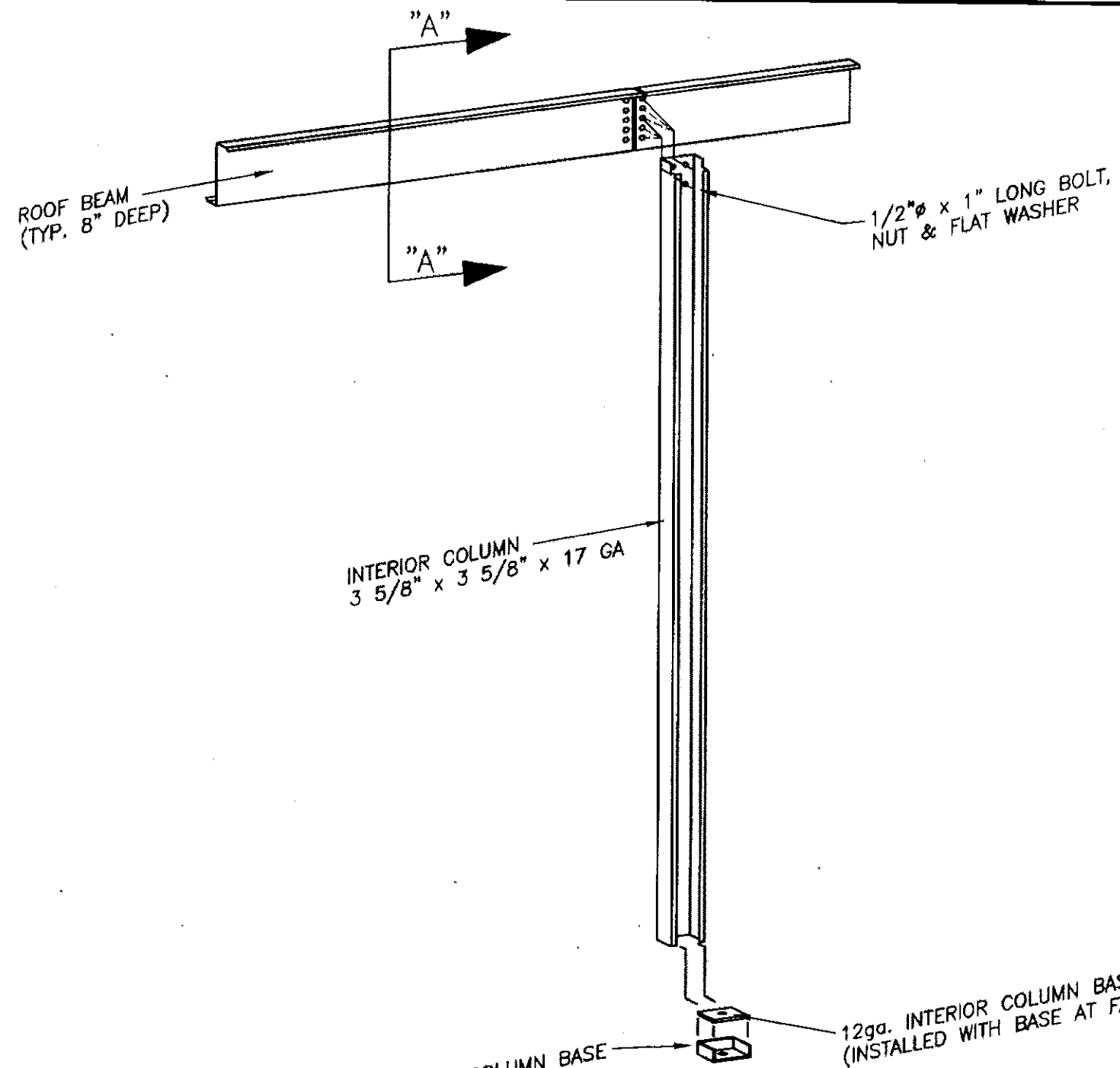
5-26-16

REVISIONS	DATE	BY
△ ADDED SDF'S TO CJC TRIM	11/15/05	JCM
△ CHANGED W/A LENGTH TO 3 3/4"	4/30/03	RSG
△ GENERAL REVISIONS	1/22/99	JAB
△ GENERAL REVISIONS	3-8-99	FOX



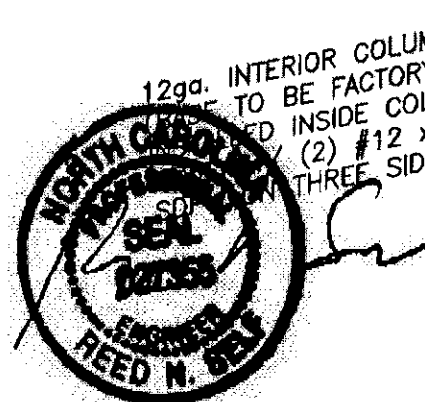
228 COMMERCE BLVD.
 STATESVILLE, NC 28625
 (800)654-7813

SHEET TITLE:		
CONTROL JOINT COLUMN AND TRIM INSTALLATION		
DRAWN BY: K.D.W.	APPROVED BY:	DRAWING NUMBER:
SCALE: NTS	DATE: 8/1/94	ERC105X



SECTION
"A" - "A"

NOTE: SEE BUILDING CROSS SECTION FOR COLUMN HEIGHT & ROOF BEAM HGT. ABOVE FINISHED FLOOR



5-26-16

12ga. INTERIOR COLUMN BASE TO BE FACTORY INSTALLED WITH BASE AT FACTORY

12ga. INTERIOR COLUMN (3 5/8" x 3 5/8" x 17 GA)

1/2"φ x 1" LONG BOLT, NUT & FLAT WASHER (ROOF BEAM SIDE ONLY)

1/2"φ x 1" LONG BOLT, NUT & FLAT WASHER

ROOF BEAM (TYP. 8" DEEP)

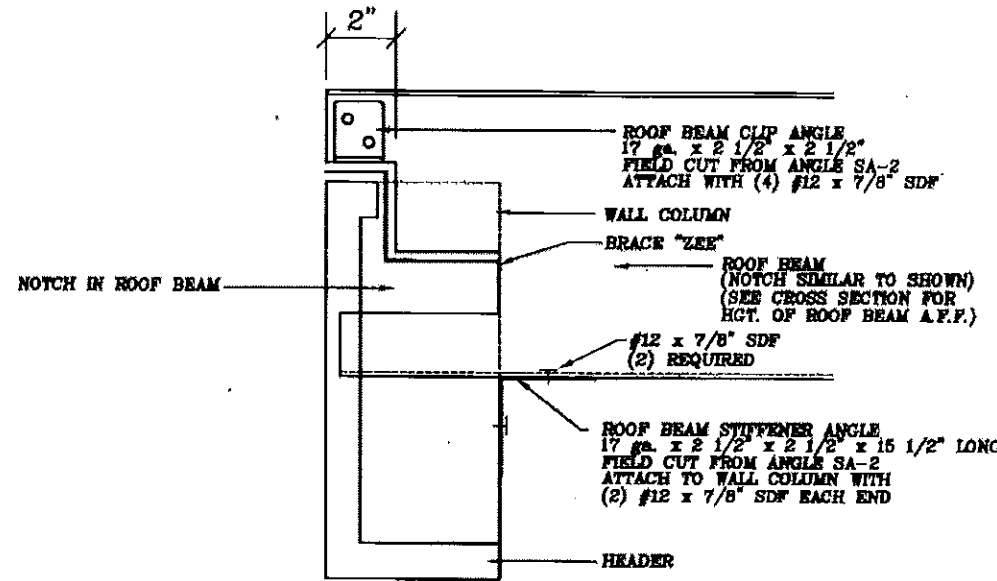
INTERIOR COLUMN

REVISIONS	DATE	BY
REVISD COLUMN SIZE	8-29-02	BAM
DETAIL REVISIONS	3-16-99	FOX
GENERAL REVISIONS	3-9-99	FOX

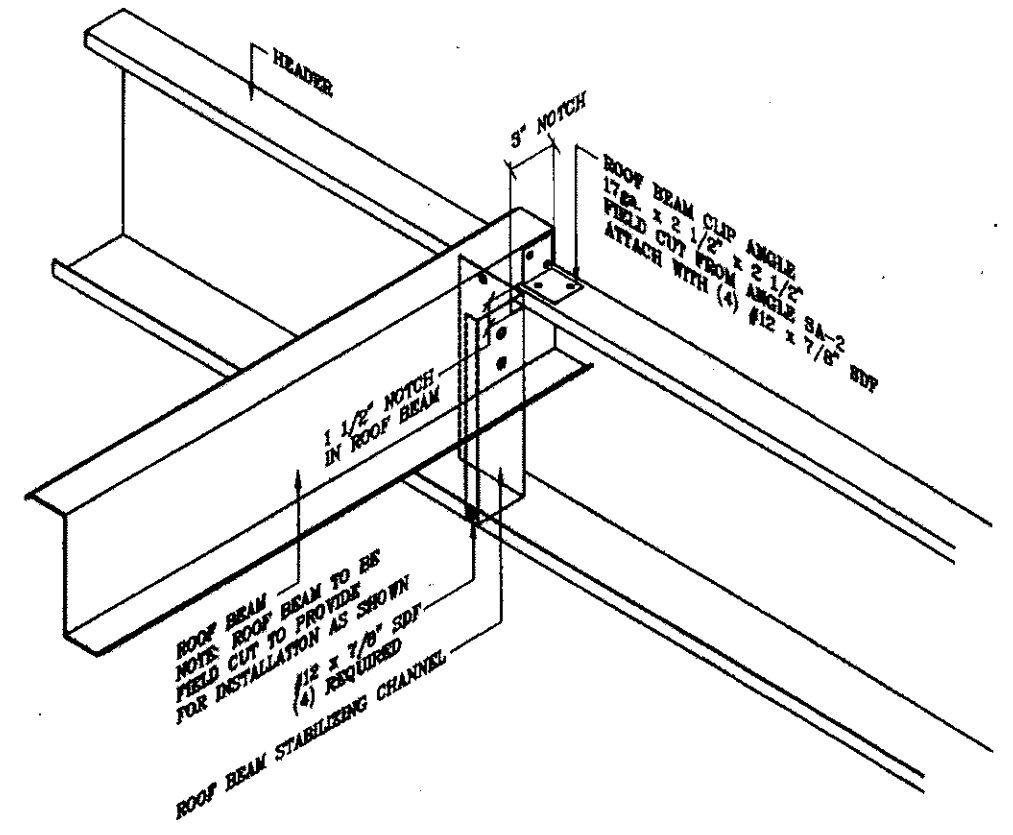
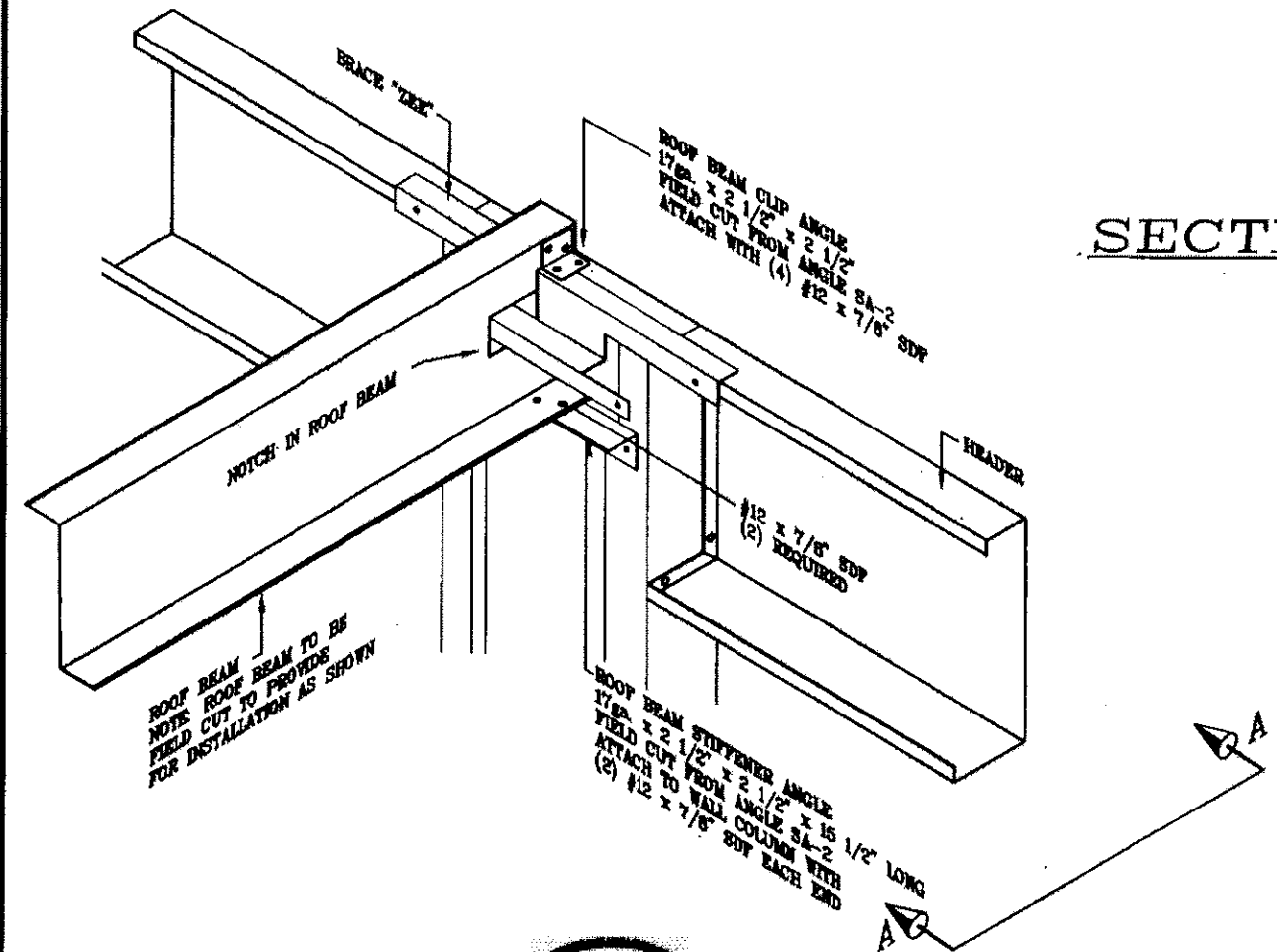
BETCO
228 COMMERCE BLVD.
STATESVILLE, NC 28625
(800)654-7813

SHEET TITLE: <i>Interior Column Installation All Heights</i>		
DRAWN BY: J POPE	APPROVED BY:	DRAWING NUMBER: ERC110X
SCALE: NTS	DATE: 1/30/98	

BRACE "ZEE" INSTALLATION
 THE (2) 3/8" BOLTS THRU THE BRACE "ZEE" INTO THE WALL COLUMN SHOULD ONLY BE "FINGER" TIGHT UNTIL ROOF IS INSTALLED. AFTER ROOF IS INSTALLED TIGHTEN TO NORMAL TORQUE.
 ...NOTE: BRACE "ZEE" TO FIT IN SLOT AT TOP OF WALL COLUMN AND SCREW TO BACKSIDE OF HEADER...



NOTE:
 REFER TO BUILDING CROSS SECTION DRAWING FOR DIMENSION FROM FINISHED FLOOR ELEVATION TO TOP OF ROOF BEAM NOTCH AND SET ROOF BEAM AT THE HEIGHT SHOWN ON CROSS SECTION SO THAT THE ROOF BEAM IS LEVEL FOR THE ENTIRE LENGTH OF BUILDING.



ROOF BEAM AT WALL COLUMN

ROOF BEAM AT HEADER



5-26-16

REVISIONS	DATE	BY
△ REVISED FASTENER SIZE	1/15/03	JCM
△ MODIFIED NOTCH IN ROOF BEAM	3/9/99	FOX

BETCO
 228 COMMERCE BLVD.
 STATESVILLE, NC 28625
 (800)654-7813

SHEET TITLE: Roof Beam Assembly Details		
DRAWN BY: B.D.	APPROVED BY:	DRAWING NUMBER: ERC115X
SCALE: NTS	DATE: 5/8/98	

BRACE "ZEE"
 ...FASTEN TO WALL COLUMN w/(1)
 3/8"φ x 3/4" BOLT, NUT, STAR
 WASHER & FLAT WASHER EACH
 FLANGE...FASTEN TO HEADER w/(1)
 #12 x 7/8" SDF...

SA-2 (16" LONG)
 SECURE TO COLUMN w/ (1)
 #12 x 7/8" SDF AT EACH FLANGE
 FASTEN TO ROOF BEAM w/ (2)
 #12 x 7/8" SDF

#10 x 5/8" SDF
 (4) PER PANEL @ TOP CHANNEL

DOOR MOUNTING PLATE
 ...FASTEN TO WALL COLUMN w/(2)
 3/8"φ x 3/4" BOLT, NUT, STAR
 WASHER & FLAT WASHER EACH FLANGE

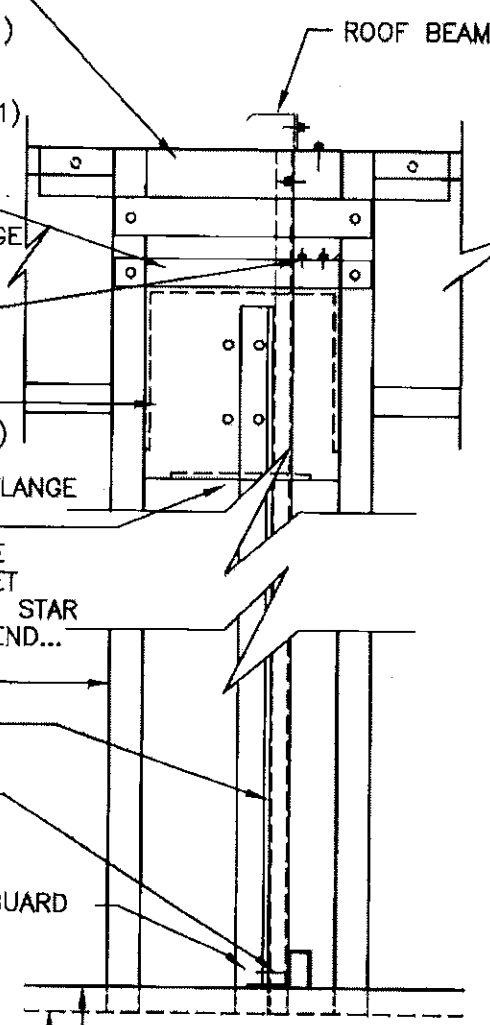
VERTICAL "ZEE"
 ...FASTEN TO WALL COLUMN BASE
 AND TO DOOR MOUNTING BRACKET
 w/(1) 3/8"φ x 3/4" BOLT, NUT, STAR
 WASHER & FLAT WASHER EACH END...

WALL COLUMN

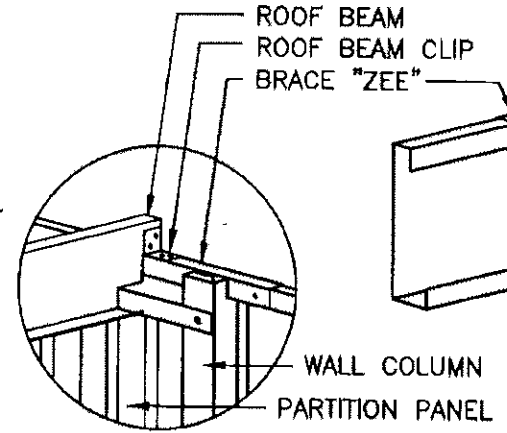
PARTITION PANEL
 (30" COVERAGE)

#10 x 5/8" SDF
 (4) PER PANEL @ BASE ANGLE

BASE ANGLE BA-112 w/SCREW GUARD
 "SHOOT" TO FOUNDATION
 w/(4) 7/8" POWDER
 DRIVEN FASTENERS...



SECTION A-A

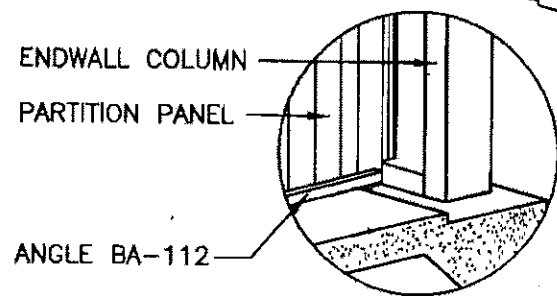


**OPPOSITE VIEW
THIS CORNER**

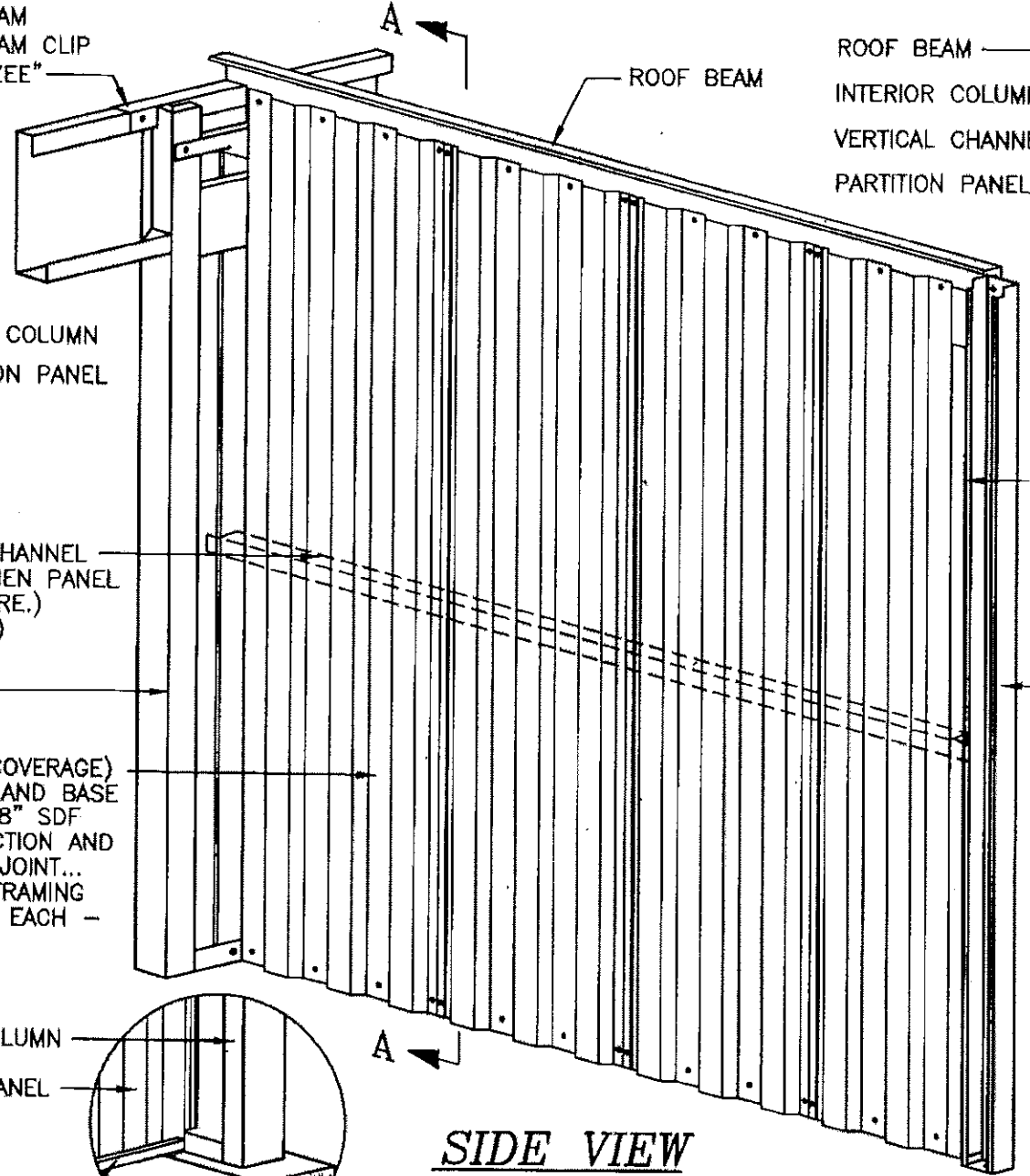
(NOTE: INSTALL A TOP CHANNEL
 AT 4-6" A.F.F. ONLY WHEN PANEL
 HEIGHT IS 9'-0" OR MORE.)
 (INSTALL FLANGES DOWN)

WALL COLUMN

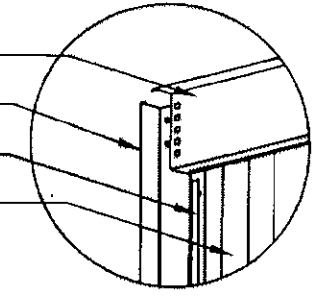
PARTITION PANEL (30" COVERAGE)
 FASTEN TO ROOF BEAM AND BASE
 ANGLE w/(4) #10 x 5/8" SDF
 EACH...(1) PER PAN SECTION AND
 (1) EACH SIDE OF LAP JOINT...
 ...FASTEN TO VERTICAL FRAMING
 w/(4) #10 x 5/8" SDF EACH -
 (SEE NOTE)



**OPPOSITE VIEW
THIS CORNER**



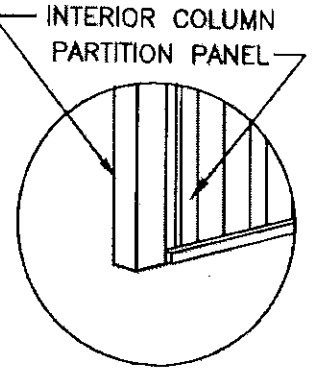
SIDE VIEW



**OPPOSITE VIEW
THIS CORNER**

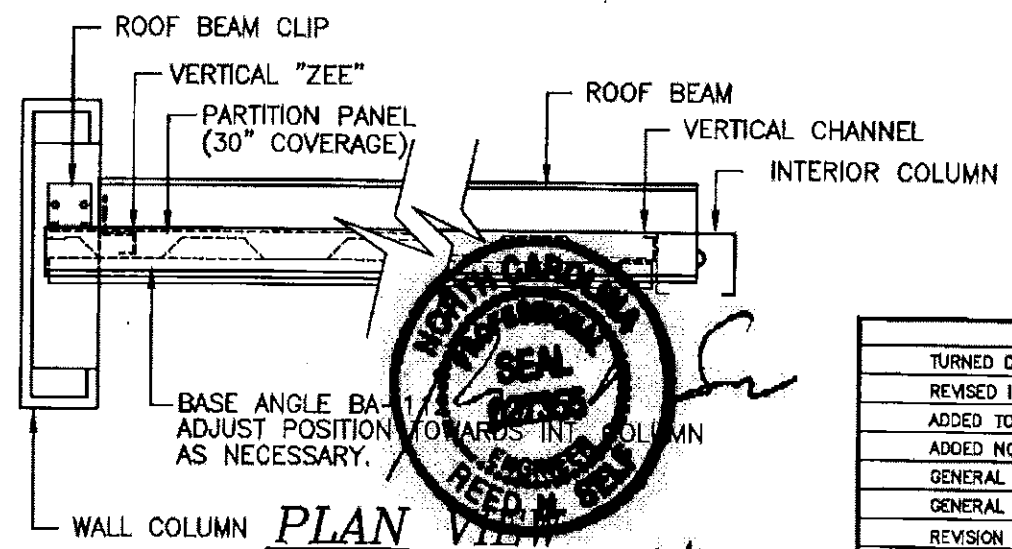
VERTICAL CHANNEL
 FASTEN TO INTERIOR
 COLUMN w/ (4)
 #10 x 5/8" SDF
 (SEE NOTE)

INTERIOR COLUMN



**OPPOSITE VIEW
THIS CORNER**

NOTE:
 THE FOUR (4) FASTENERS FOR ATTACHING PARTITION PANELS TO
 INTERIOR COLUMNS ARE INSTALLED AT THE TOP, BOTTOM AND AT THE
 1/3 POINTS NOT TO EXCEED A 3'-0" VERTICAL SPACING BETWEEN
 FASTENERS.



PLAN VIEW

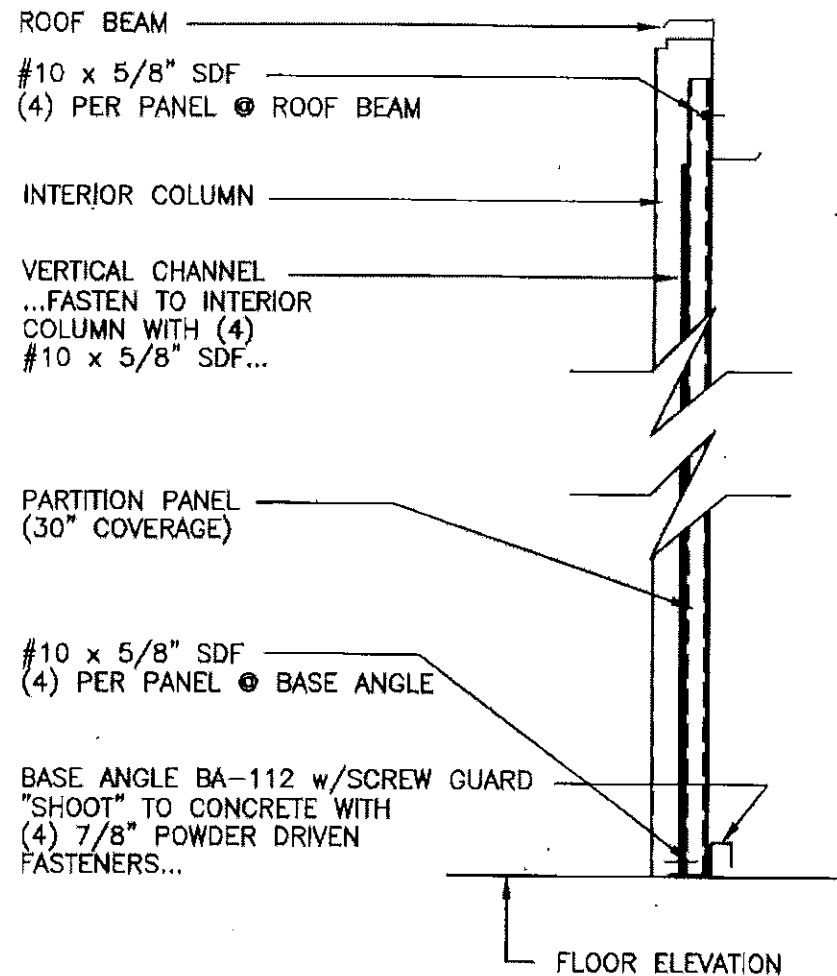


5-26-16

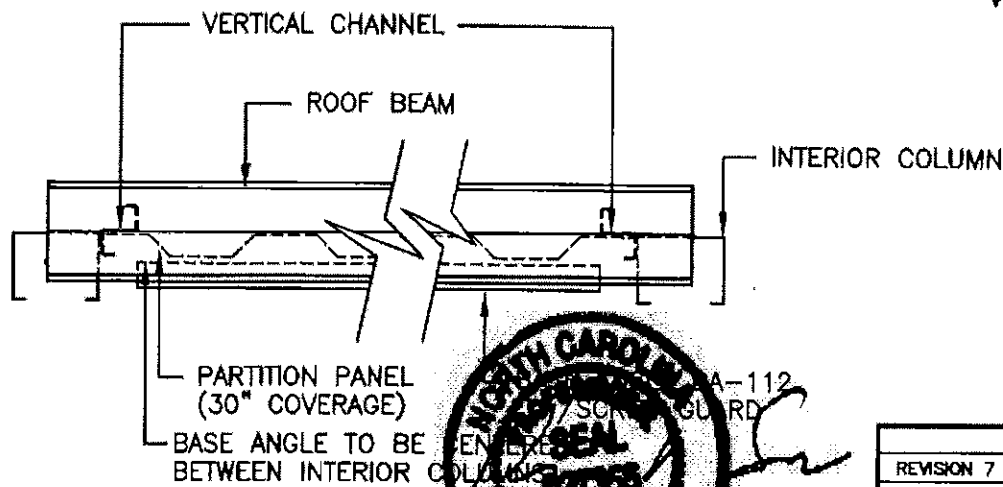
REVISIONS	DATE	BY
TURNED DIRECTION OF MID TOP CHANNELS	3/17/4	JCM
REVISED INTERIOR COLUMNS	8/29/02	BAM
ADDED TOP CHANNEL AT PANELS OVER 9'-0"	2/7/02	BDL
ADDED NOTE FOR INTERIOR COLUMNS	3/30/01	TLR
GENERAL REVISIONS	5/6/99	CWM
GENERAL REVISIONS	6/23/98	CJG
REVISION 1	6/4/98	KLH

BETCO
 228 COMMERCE BLVD.
 STATESVILLE, NC 28625
 (800)654-7813

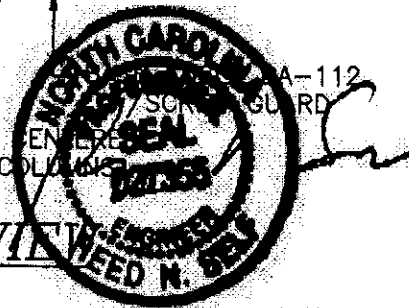
SHEET TITLE: Partition - Endwall Column to Interior Column		
DRAWN BY: J POPE	APPROVED BY:	DRAWING NUMBER: ERC200X
SCALE: NTS	DATE: 6/17/94	



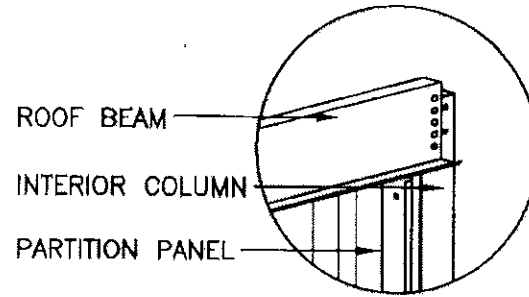
SECTION A-A



PLAN VIEW



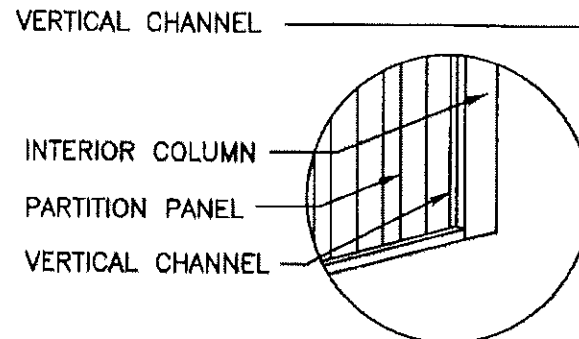
5-26-16



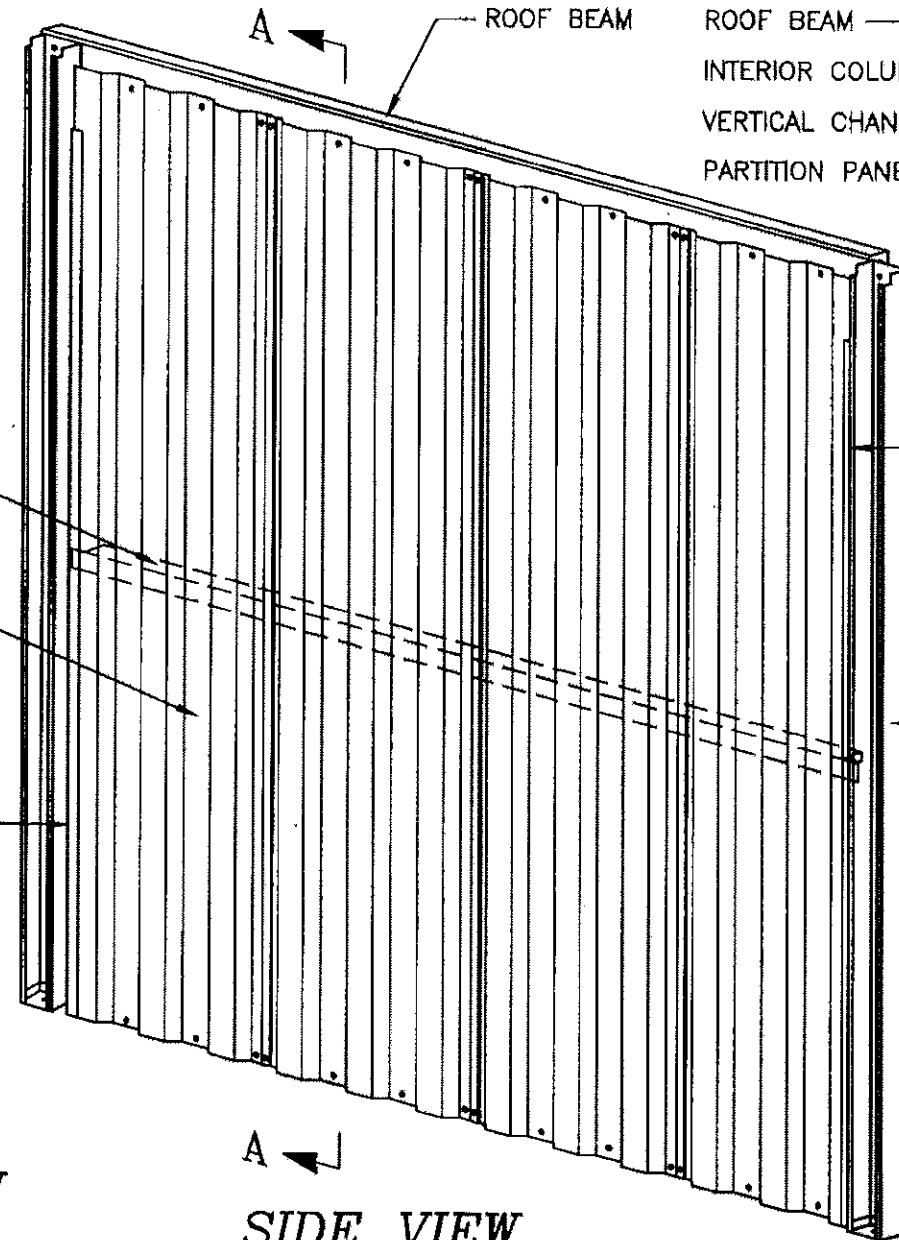
OPPOSITE VIEW THIS CORNER

(NOTE: INSTALL A TOP CHANNEL AT 4-6" A.F.F. ONLY WHEN PANEL HEIGHT IS 9'-0" OR MORE.) (INSTALL FLANGES DOWN)

PARTITION PANEL (30" COVERAGE) FASTEN TO ROOF BEAM AND BASE ANGLE w/(4) #10 x 5/8" SDF EACH...(1) PER PAN SECTION AND (1) EACH SIDE OF LAP JOINT... FASTEN TO VERTICAL FRAMING w/(4) #10 x 5/8" SDF EACH - (SEE NOTE)

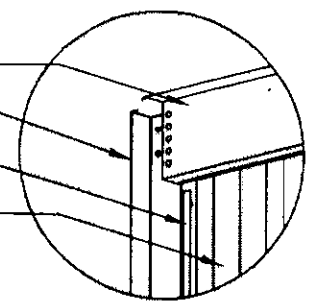


OPPOSITE VIEW THIS CORNER



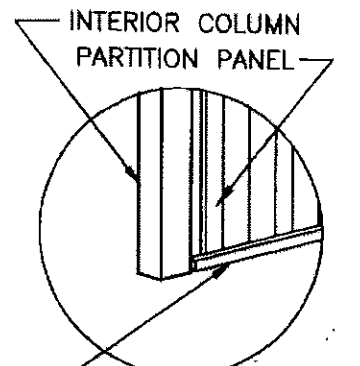
SIDE VIEW

BASE ANGLE BA-112 w/SCREW GUARD



OPPOSITE VIEW THIS CORNER

VERTICAL CHANNEL FASTEN TO INTERIOR COLUMN WITH (4) #10 x 5/8" SDF (SEE NOTE)



OPPOSITE VIEW THIS CORNER

NOTE: THE FOUR (4) FASTENERS FOR ATTACHING PARTITION PANELS TO INTERIOR COLUMNS ARE INSTALLED AT THE TOP, BOTTOM AND AT THE 1/3 POINTS NOT TO EXCEED A 3'-0" VERTICAL SPACING BETWEEN FASTENERS.

REVISIONS	DATE	BY
REVISION 7	3/17/04	JCM
REVISION 6	8/29/02	BAM
REVISION 5	2/7/02	BDL
REVISION 4	3/30/01	TLR
REVISION 3	3-24-99	FOX
REVISION 2	6/23/98	CJG
REVISION 1	6/4/98	KLH

BETCO
228 COMMERCE BLVD.
STATESVILLE, NC 28625
(800)654-7813

SHEET TITLE: Partition - Interior Column to Interior Column		
DRAWN BY: J Pope	APPROVED BY:	DRAWING NUMBER: ERC201X
SCALE: NTS	DATE: 6/20/94	

BRACE "ZEE"
 ...FASTEN TO WALL COLUMN w/(1)
 3/8"φ x 3/4" BOLT, NUT, STAR
 WASHER & FLAT WASHER EACH
 FLANGE...FASTEN TO HEADER w/(1)
 #12 x 7/8" SDF...

TOP CHANNEL TC-119.5
 SECURE TO TOP OF DOOR
 MOUNTING PLATE w/(1)
 #10 x 5/8" SDF...FASTEN TO INT.
 COLUMN w/(2) #10 x 5/8" SDF...

#10 x 5/8" SDF
 (4) PER PANEL @ TOP CHANNEL

DOOR MOUNTING PLATE
 ...FASTEN TO WALL COLUMN w/(2)
 3/8"φ x 3/4" BOLT, NUT, STAR
 WASHER & FLAT WASHER EACH FLANGE

VERTICAL "ZEE"
 ...FASTEN TO WALL COLUMN BASE
 AND TO DOOR MOUNTING BRACKET
 w/(1) 3/8"φ x 3/4" BOLT, NUT, STAR
 WASHER & FLAT WASHER EACH END...

WALL COLUMN

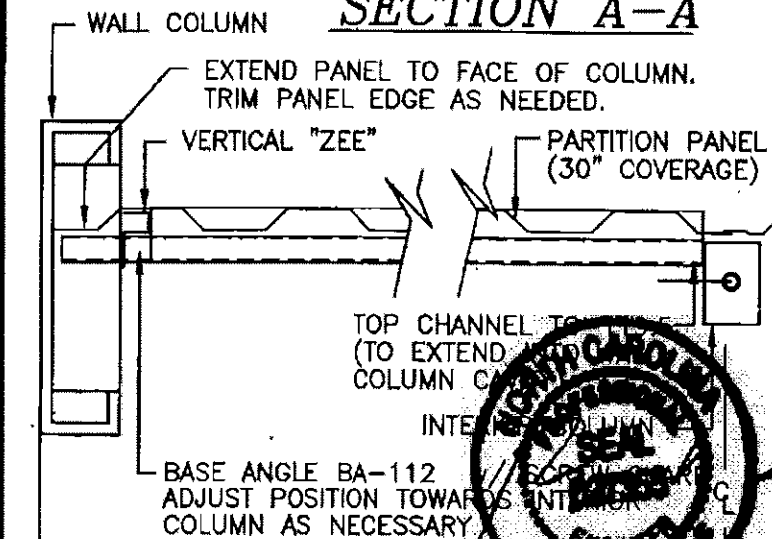
PARTITION PANEL
 (30" COVERAGE)

#10 x 5/8" SDF
 (4) PER PANEL @ BASE ANGLE

BASE ANGLE BA-112 w/SCREW GUARD
 "SHOOT" TO FOUNDATION
 w/(4) 7/8" POWDER
 DRIVEN FASTENERS...

FLOOR ELEVATION
 THRESHOLD ELEVATION

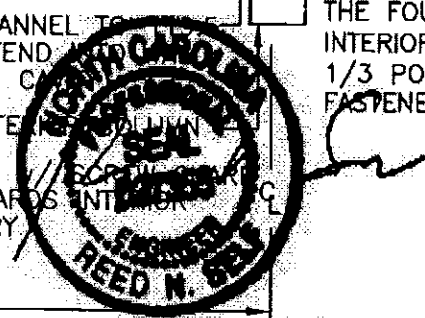
SECTION A-A



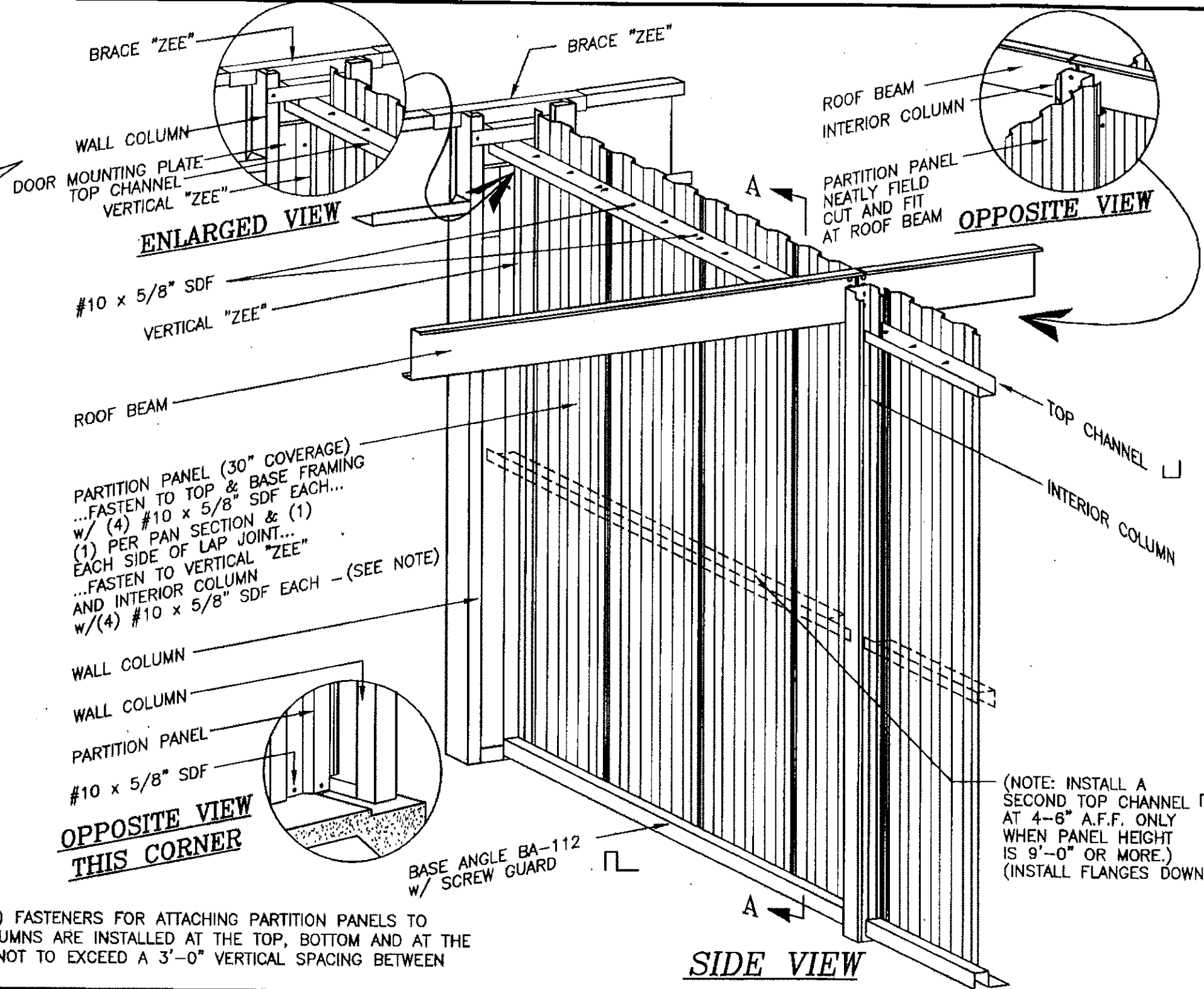
BASE ANGLE BA-112
 ADJUST POSITION TOWARDS INTERIOR
 COLUMN AS NECESSARY

10'-0"

PLAN VIEW - 26-16



NOTE:
 THE FOUR (4) FASTENERS FOR ATTACHING PARTITION PANELS TO
 INTERIOR COLUMNS ARE INSTALLED AT THE TOP, BOTTOM AND AT THE
 1/3 POINTS NOT TO EXCEED A 3'-0" VERTICAL SPACING BETWEEN
 FASTENERS.



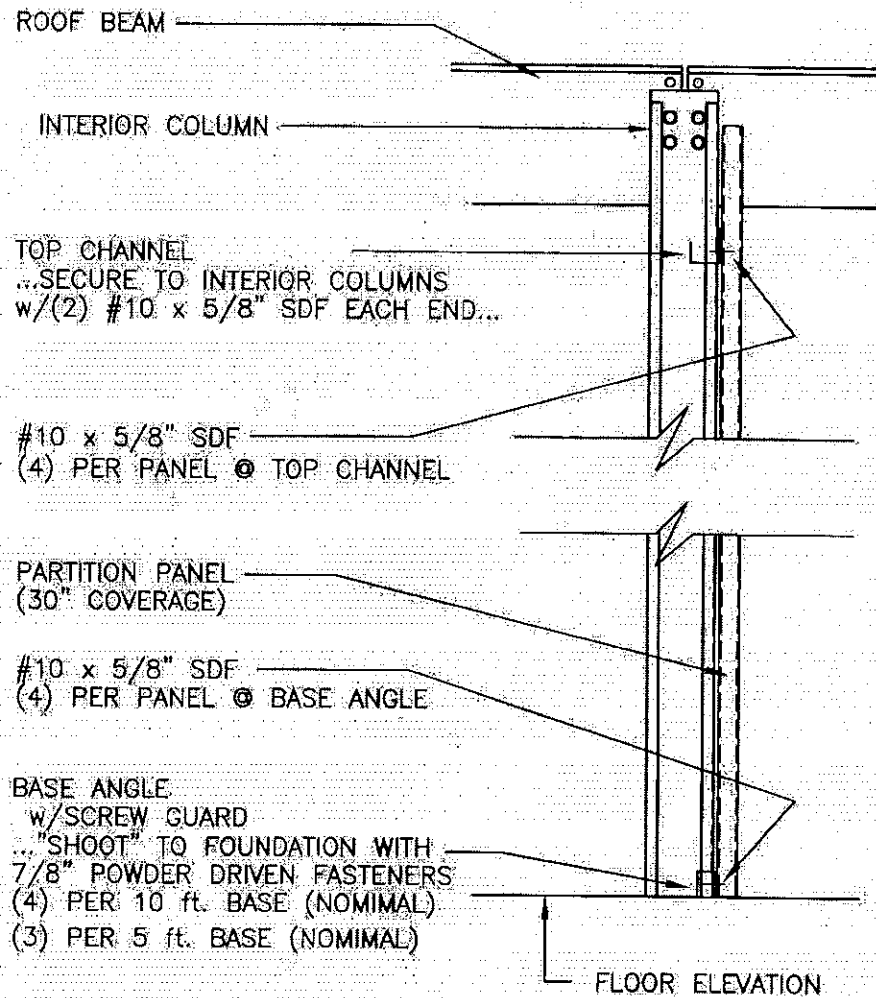
**OPPOSITE VIEW
 THIS CORNER**

SIDE VIEW

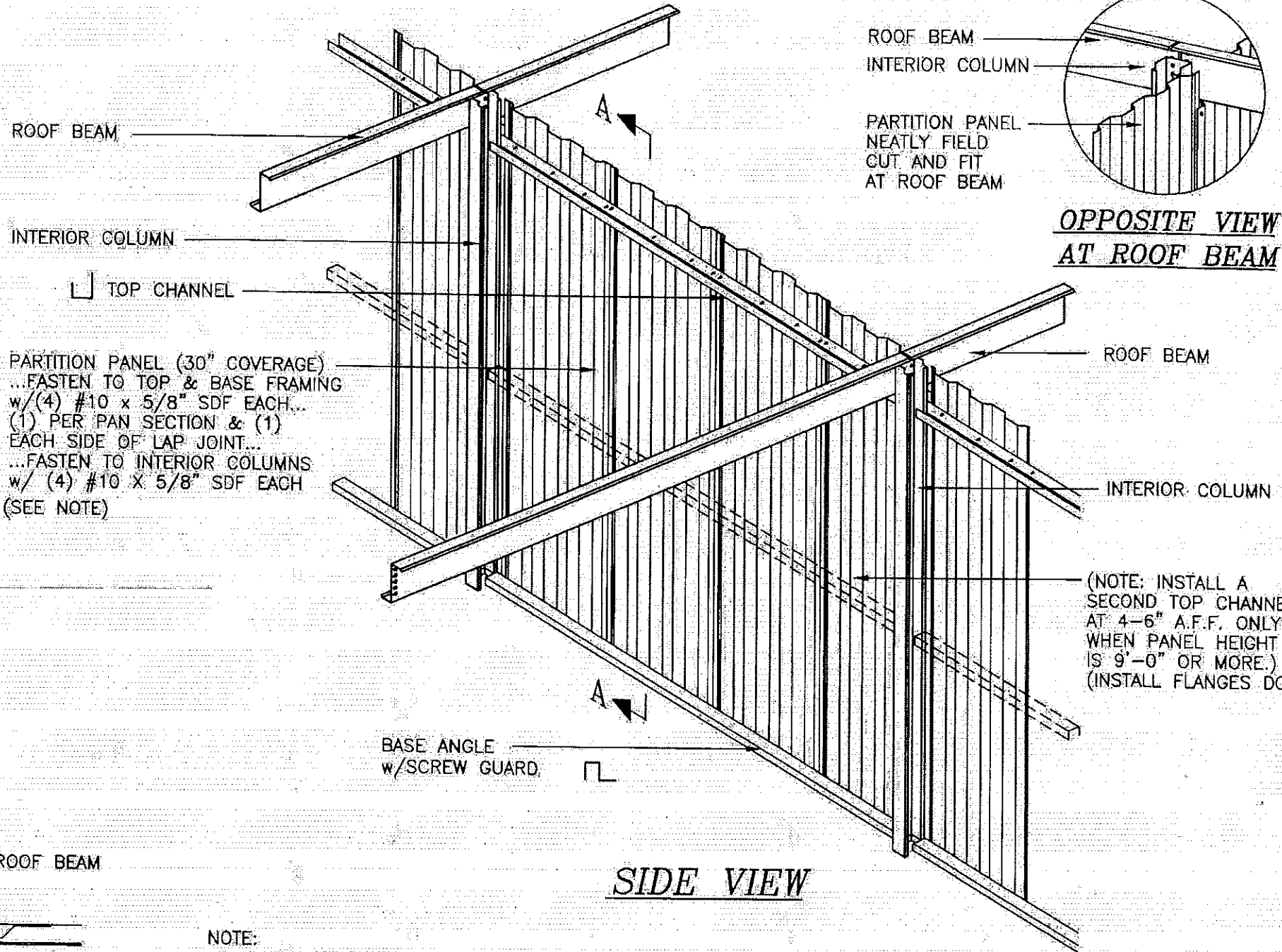
REVISIONS	DATE	BY
REVISED DIRECTION OF MID TOP CHANNEL	3/17/04	JCM
REVISED INTERIOR COLUMNS	8/29/02	BAM
ADDED TOP CHANNEL AT PANELS OVER 9'-0"	2/7/02	BOL
ADDED NOTE FOR INTERIOR COLUMNS	4/2/01	TLR
GENERAL REVISIONS	4/12/99	CWM

BETCO
 228 COMMERCE BLVD.
 STATESVILLE, NC 28625
 (800)654-7813

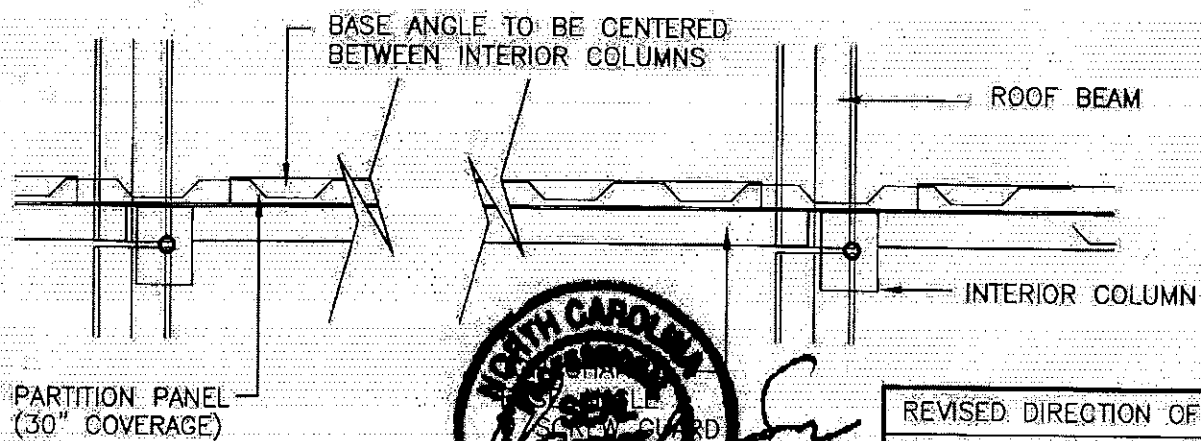
SHEET TITLE: Partition - Sidewall Column to Interior Column - 10' span		
DRAWN BY: J Pope	APPROVED BY:	DRAWING NUMBER: ERC202X
SCALE: NTS	DATE: 6/20/94	



SECTION A-A

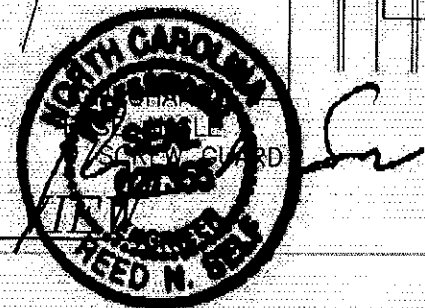


SIDE VIEW



PLAN

NOTE:
THE FOUR (4) FASTENERS FOR ATTACHING PARTITION PANELS TO INTERIOR COLUMNS ARE INSTALLED AT THE TOP, BOTTOM AND AT THE 1/3 POINTS NOT TO EXCEED A 3'-0" VERTICAL SPACING BETWEEN FASTENERS.



5-26-16

REVISED DIRECTION OF MID TOP CHANNEL	3/17/04	JCM
REVISED INTERIOR COLUMNS	8/29/02	BAM
ADDED TOP CHANNEL AT PANELS OVER 9'-0"	2/7/02	BDL
ADDED NOTE FOR INTERIOR COLUMNS	4/2/01	TLR
GENERAL REVISIONS	5/7/99	CJG
REVISIONS:	DATE	BY



228 COMMERCE BLVD.
STATESVILLE, NC 28625
(800)654-7813

SHEET TITLE: <i>Partition - Interior Column to Interior Column (all eave heights)</i>		
DRAWN BY: J POPE	APPROVED BY:	DRAWING NUMBER:
SCALE: NTS	DATE: 6/22/98	ERC203X

BRACE "ZEE"
 ...FASTEN TO WALL COLUMN w/(1)
 3/8"φ x 3/4" BOLT, NUT, STAR
 WASHER & FLAT WASHER EACH
 FLANGE...FASTEN TO HEADER w/(1)
 #12 x 7/8" SDF...

TOP CHANNEL TC-120
 SECURE TO TOP OF DOOR
 MOUNTING PLATE w/(1)
 #10 x 5/8" SDF...FASTEN TO INT.
 COLUMN w/(2) #10 x 5/8" SDF...

#10 x 5/8" SDF
 (4) PER PANEL @ TOP CHANNEL

DOOR MOUNTING PLATE
 ...FASTEN TO WALL COLUMN w/(2)
 3/8"φ x 3/4" BOLT, NUT, STAR
 WASHER & FLAT WASHER EACH FLANGE

VERTICAL "ZEE"
 ...FASTEN TO WALL COLUMN BASE
 AND TO DOOR MOUNTING BRACKET
 W/(1) 3/8"φ x 3/4" BOLT, NUT, STAR
 WASHER & FLAT WASHER EACH END...

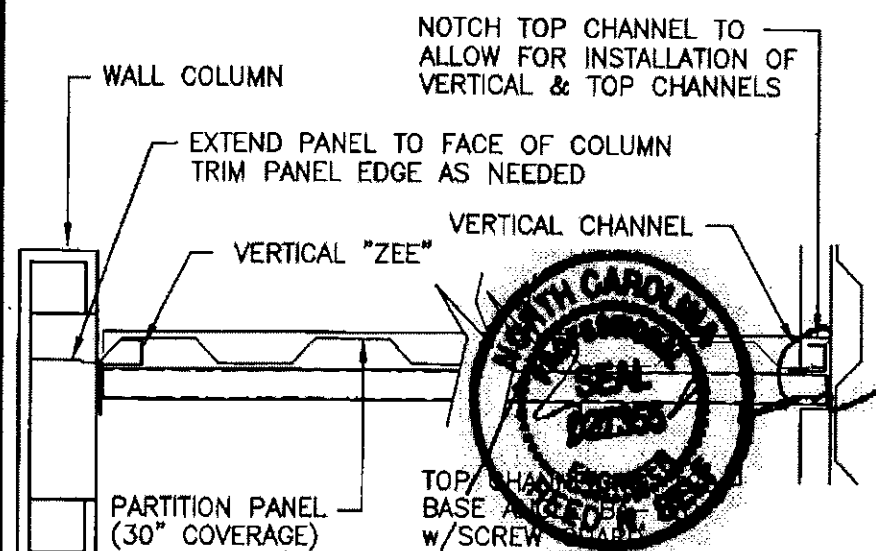
WALL COLUMN

PARTITION PANEL
 (30" COVERAGE)

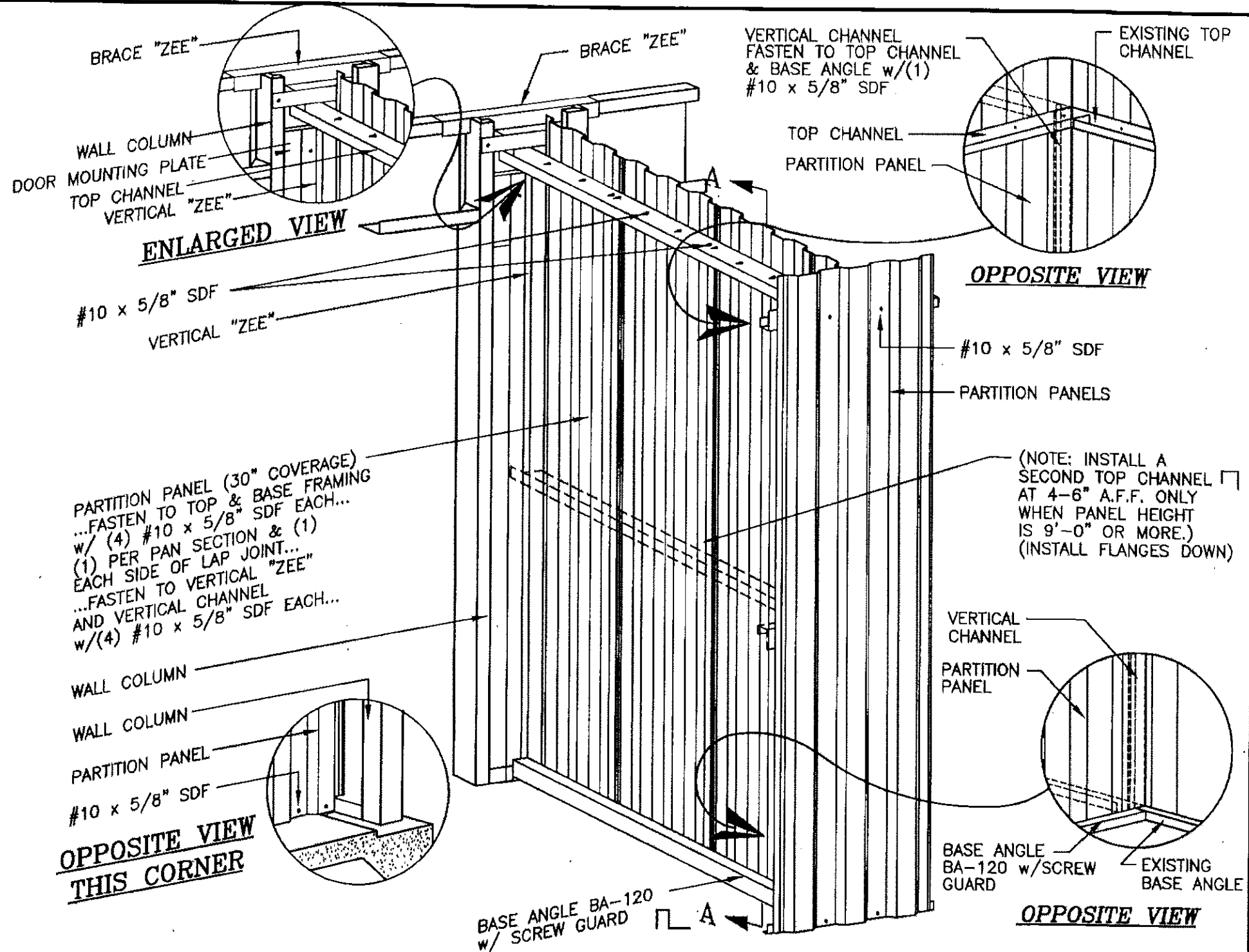
#10 x 5/8" SDF
 (4) PER PANEL @ BASE ANGLE

BASE ANGLE BA-120 w/SCREW GUARD
 "SHOOT" TO FOUNDATION
 w/(4) 7/8" POWDER
 DRIVEN FASTENERS...
 SECURE TO VERTICAL "CEE"
 w/ (1) #10 x 5/8" SDF

SECTION A-A



PLAN VIEW

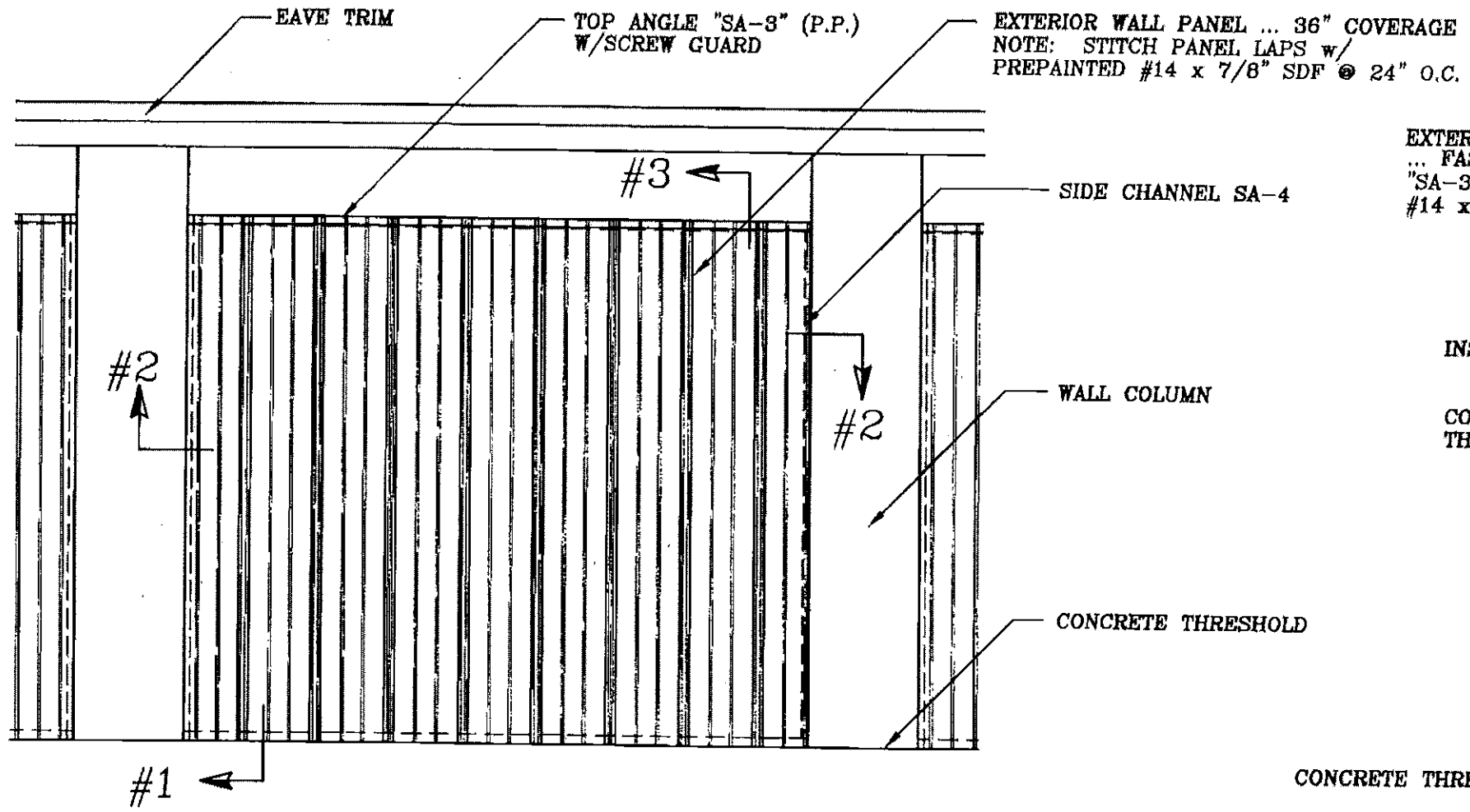


SIDE VIEW

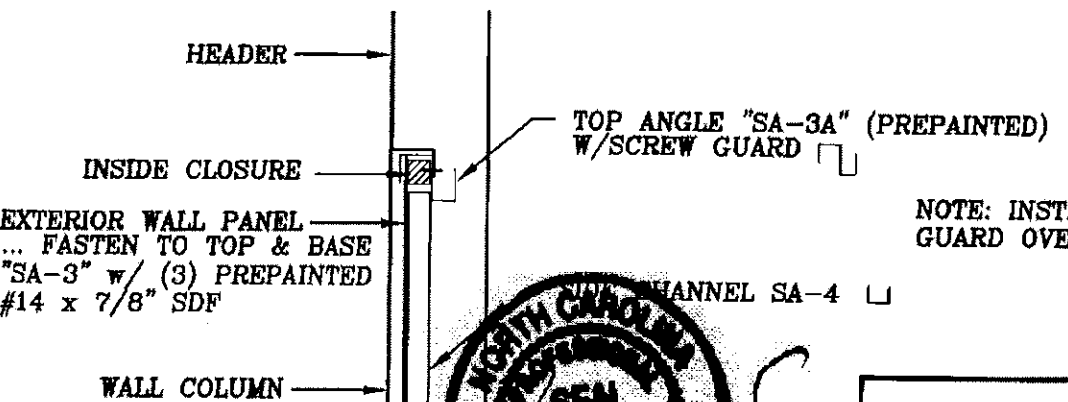
REVISIONS	DATE	BY
REVISED DIRECTION OF MID HAT CHANNEL	3/17/04	JCM
REVISED FASTENER NOTE	8/30/02	JCM
ADDED TOP CHANNEL AT PANELS OVER 9'-0"	2/7/02	BDL
GENERAL REVISIONS	4/2/01	TLR
GENERAL REVISIONS	5/6/99	CWM
GENERAL REVISIONS	6/23/98	CJG

BETCO
 228 COMMERCE BLVD.
 STATESVILLE, NC 28625
 (800)654-7813

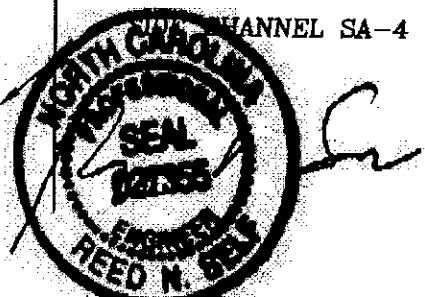
SHEET TITLE: Partition - Endwall Column to Interior Partition		
DRAWN BY: J Pope	APPROVED BY:	DRAWING NUMBER: ERC207X
SCALE: NTS	DATE: 6/24/94	



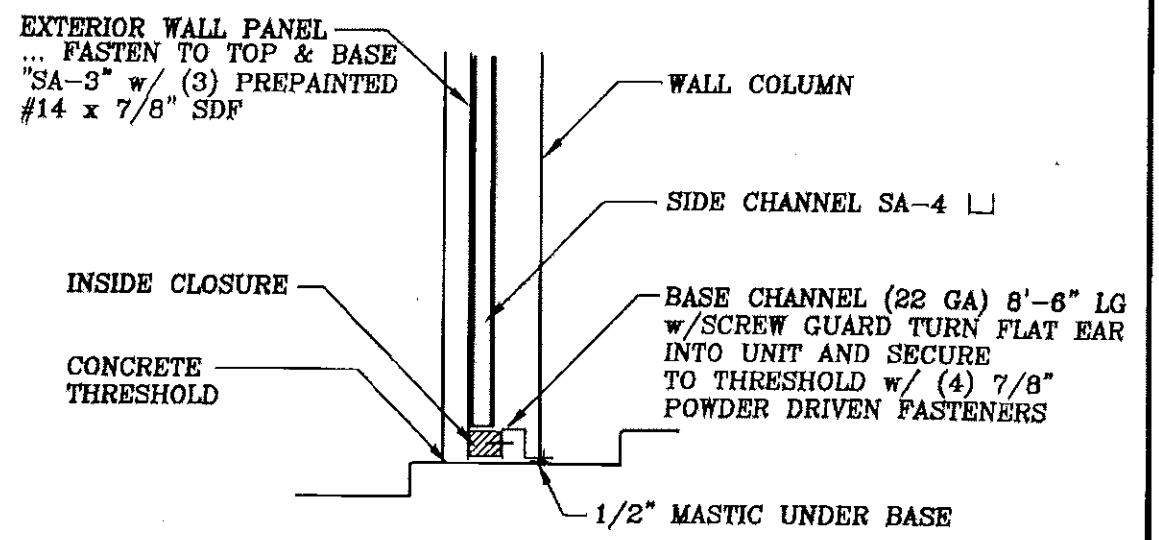
EXTERIOR WALL PANEL INSTALLATION DETAILS



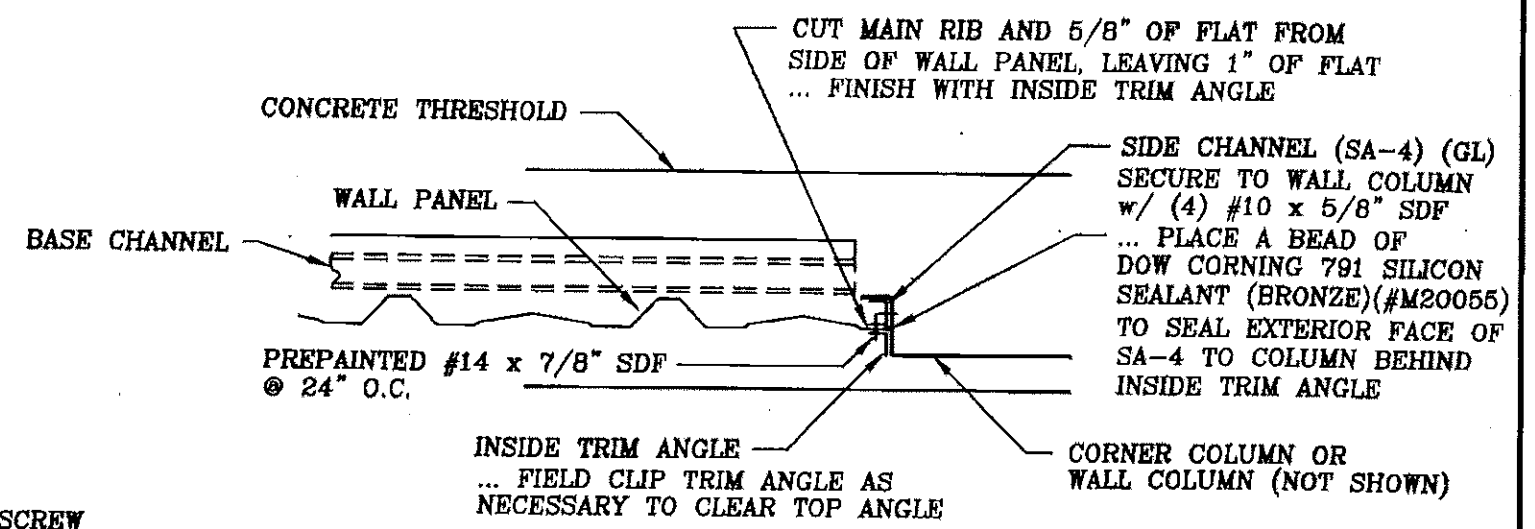
SECTION #3
5-26-16



NOTE: INSTALL WALL PANEL SCREW GUARD OVER EXPOSED STITCH SCREWS



SECTION #1

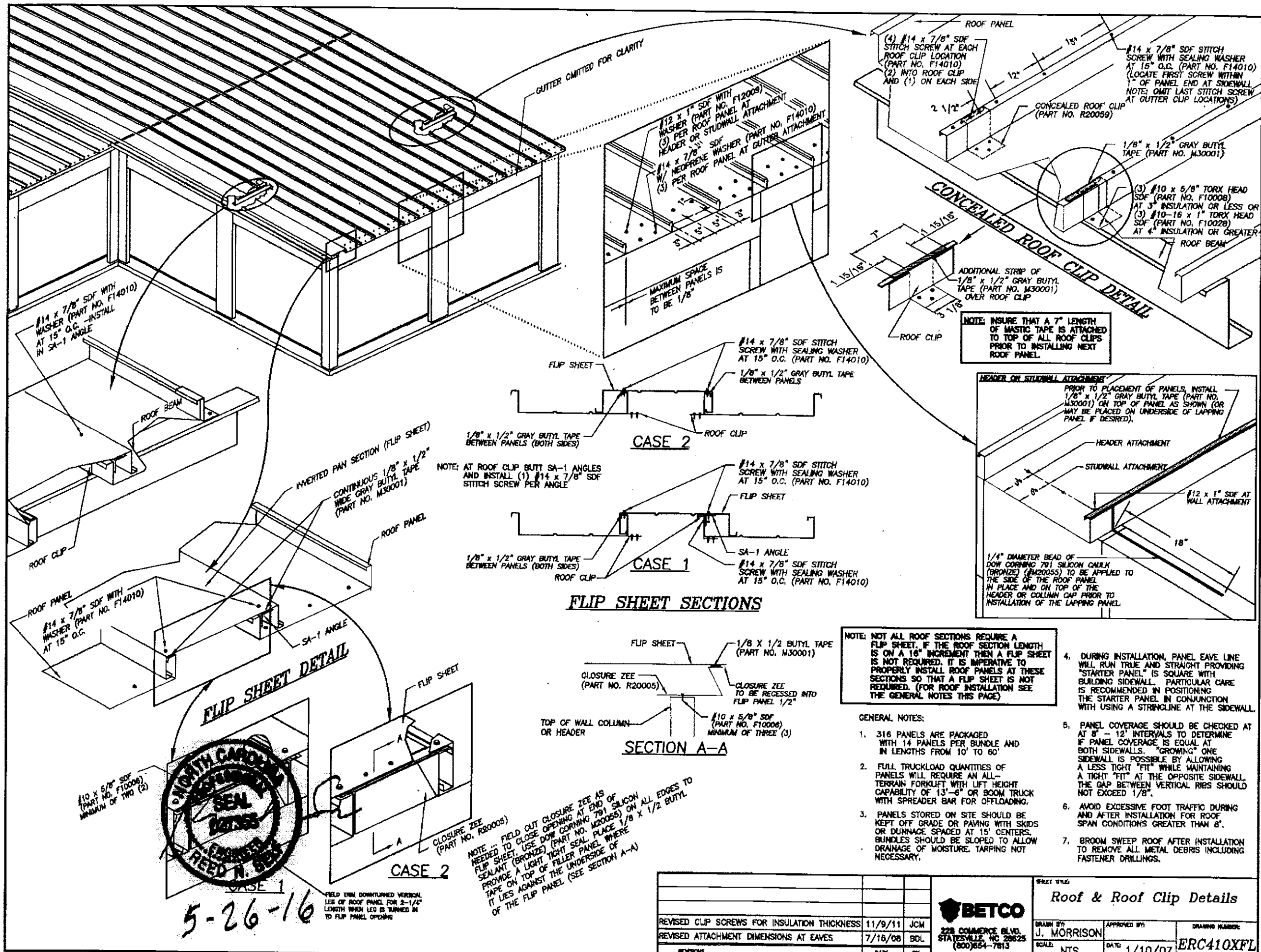


SECTION #2

REVISIONS	DATE	BY
△ REVISED BASE CHANNEL GAGE	2-26-13	DPP
△ REVISED SECTION #2	10-18-04	BDL
△ GENERAL REVISIONS	3-24-99	FOX
△ GENERAL REVISIONS	3-9-99	FOX

BETCO
228 COMMERCE BLVD.
STATESVILLE, NC 28625
(800)654-7813

SHEET TITLE: EXTERIOR WALL PANEL INSTALLATION @ 8'-3" WALL COLUMN w/ 8'-8 LG. HEADER		
DRAWN BY: J Pope	APPROVED BY:	DRAWING NUMBER: ERC302X
SCALE: 1/2" = 1'-0"	DATE: 6/27/94	



#14 x 7/8" SDF WITH WASHER (PART NO. F14010) AT 15" O.C. - INSTALL IN SA-1 ANGLE

#14 x 7/8" SDF WITH WASHER (PART NO. F14010) AT 15" O.C.

#10 x 5/8" SDF (PART NO. F10008) MINIMUM OF TWO (2)



5-26-16

FIELD WITH DOWNTURNED VERTICAL LEG OF ROOF PANEL FOR 2-1/4" LENGTH WHEN LEG IS TURNED IN TO FLIP PANEL OPENING

NOTE: FIELD CUT CLOSURE ZEE AS NEEDED TO CLOSE OPENING AT END OF FLIP SHEET. USE DOW CORNING 791 SILICON SEALANT (BRONZE) (PART NO. M20055) TO PROVIDE A LIGHT TIGHT SEAL. PLACE 1/8" x 1/2" BUTYL TAPE ON TOP OF FILLER PANEL WHERE IT LIES AGAINST THE UNDERSIDE OF THE FLIP PANEL (SEE SECTION A-A)

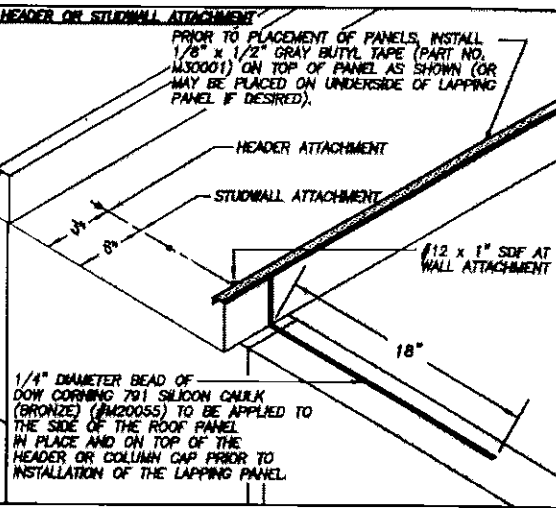
CASE 2

CASE 1

FLIP SHEET SECTIONS

SECTION A-A

CONCEALED ROOF CLIP DETAIL

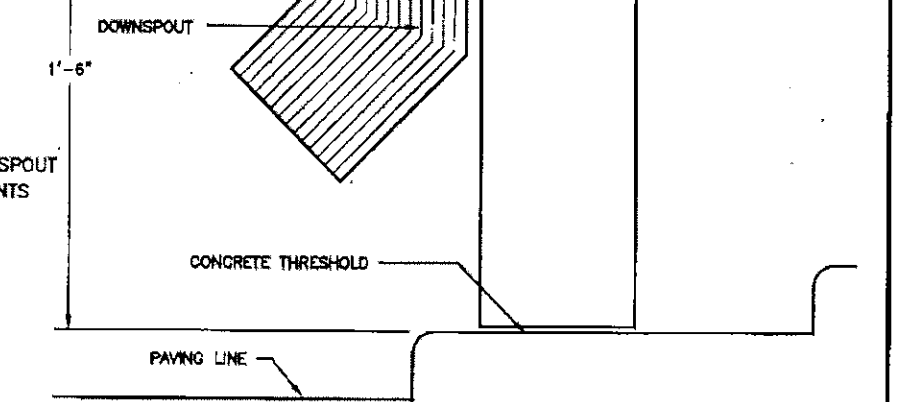
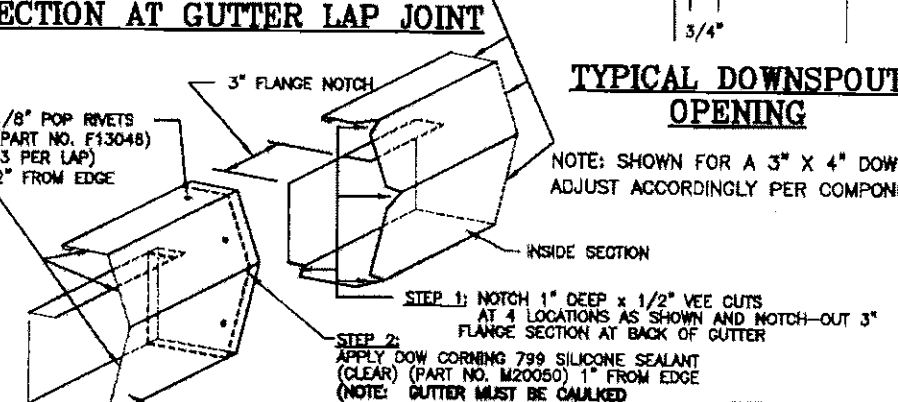
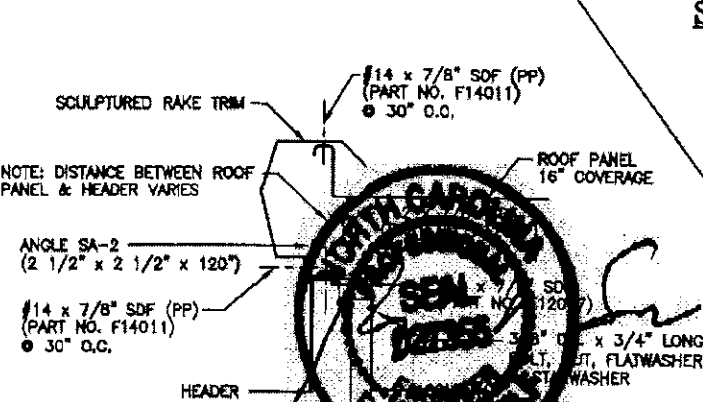
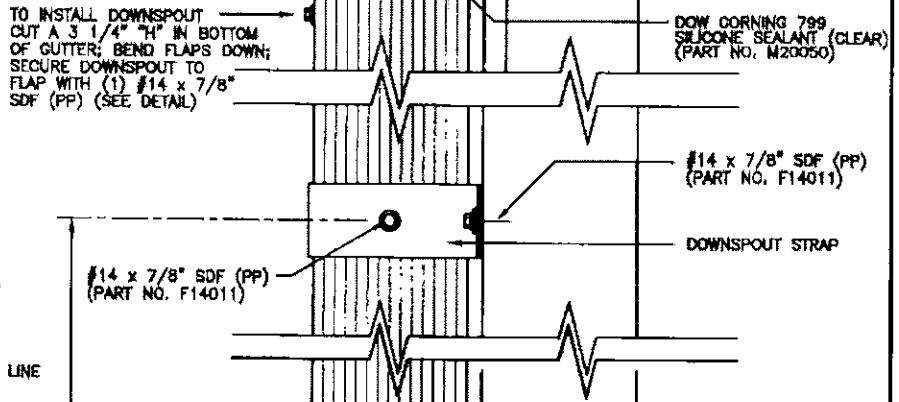
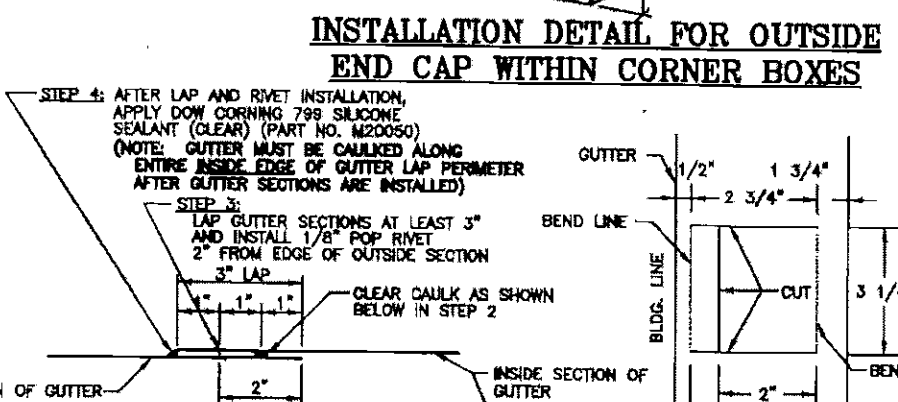
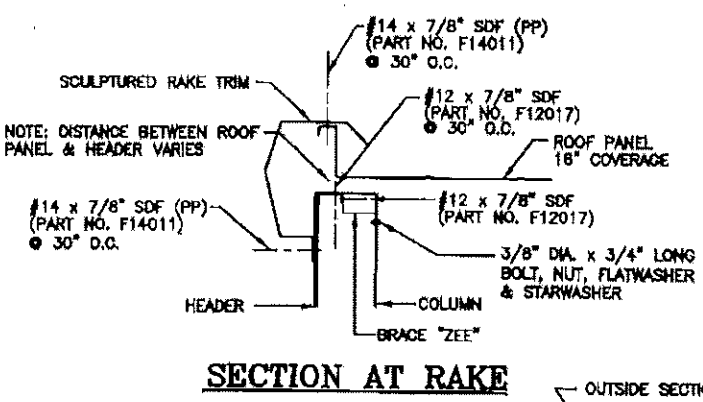
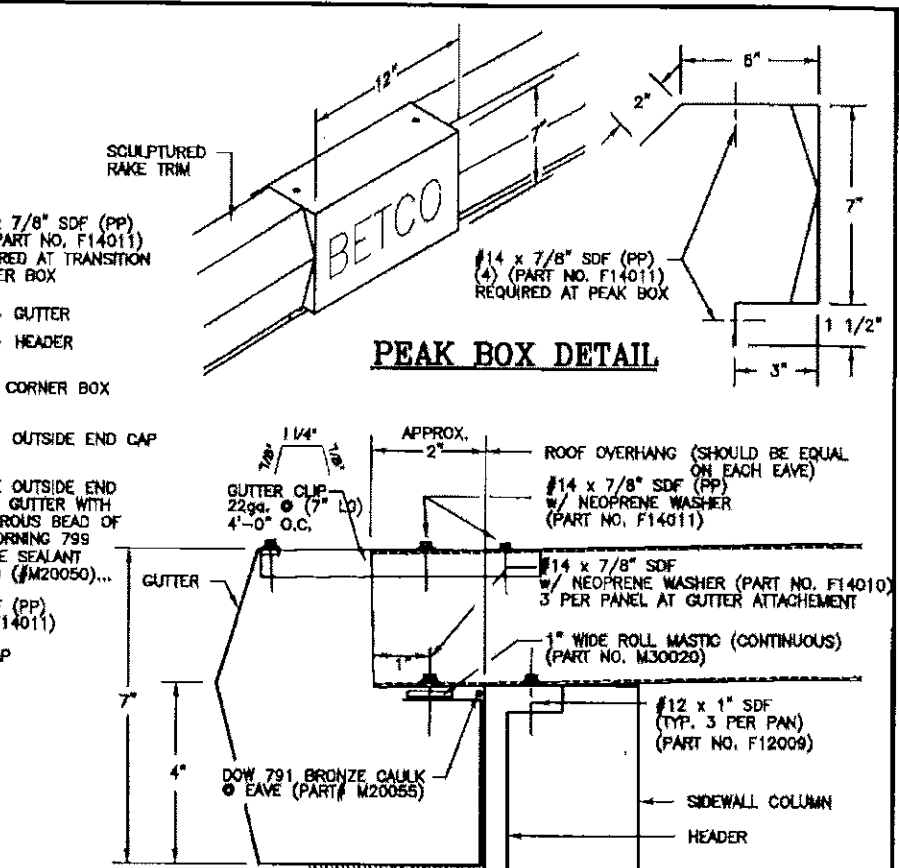
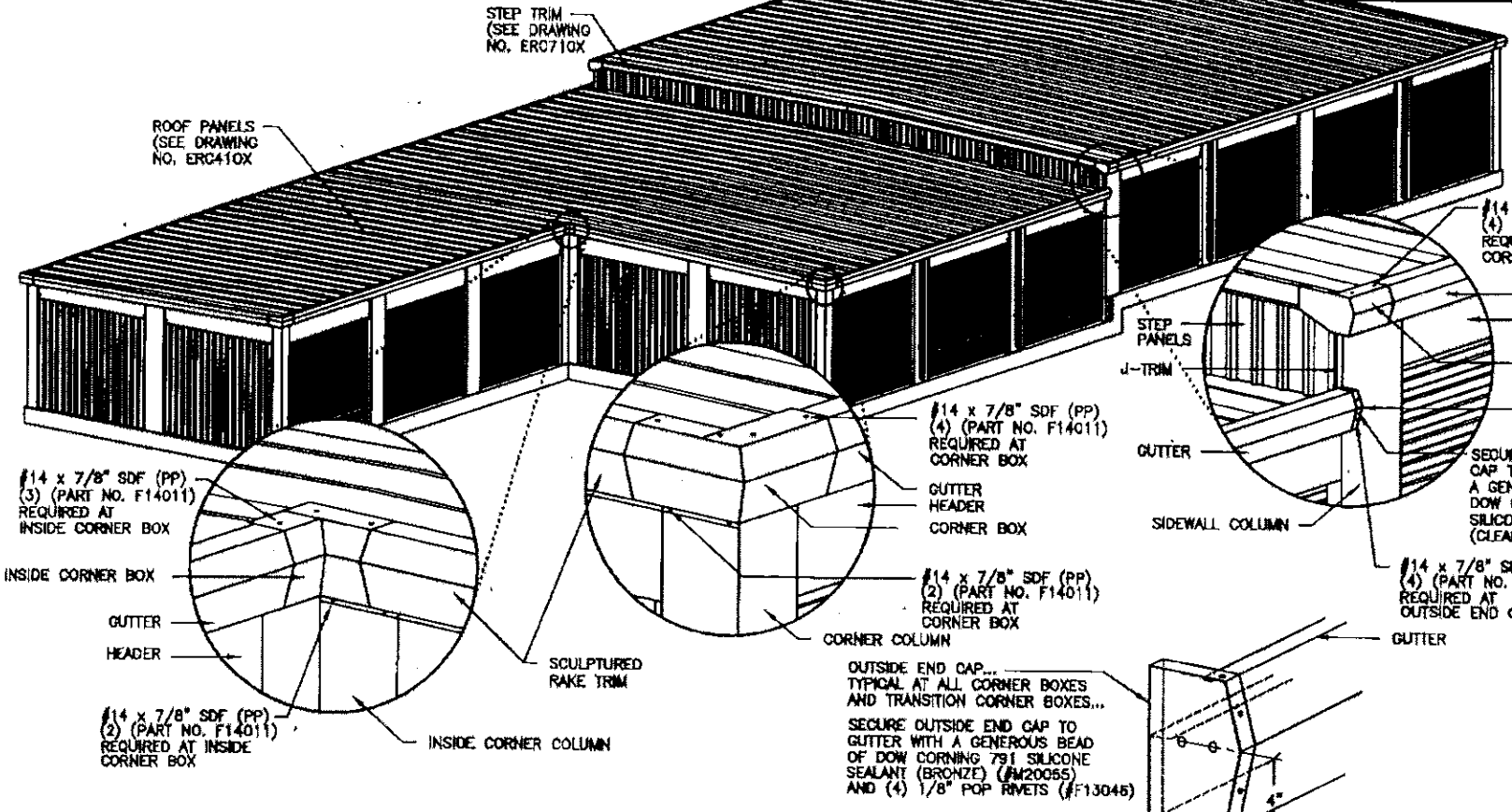
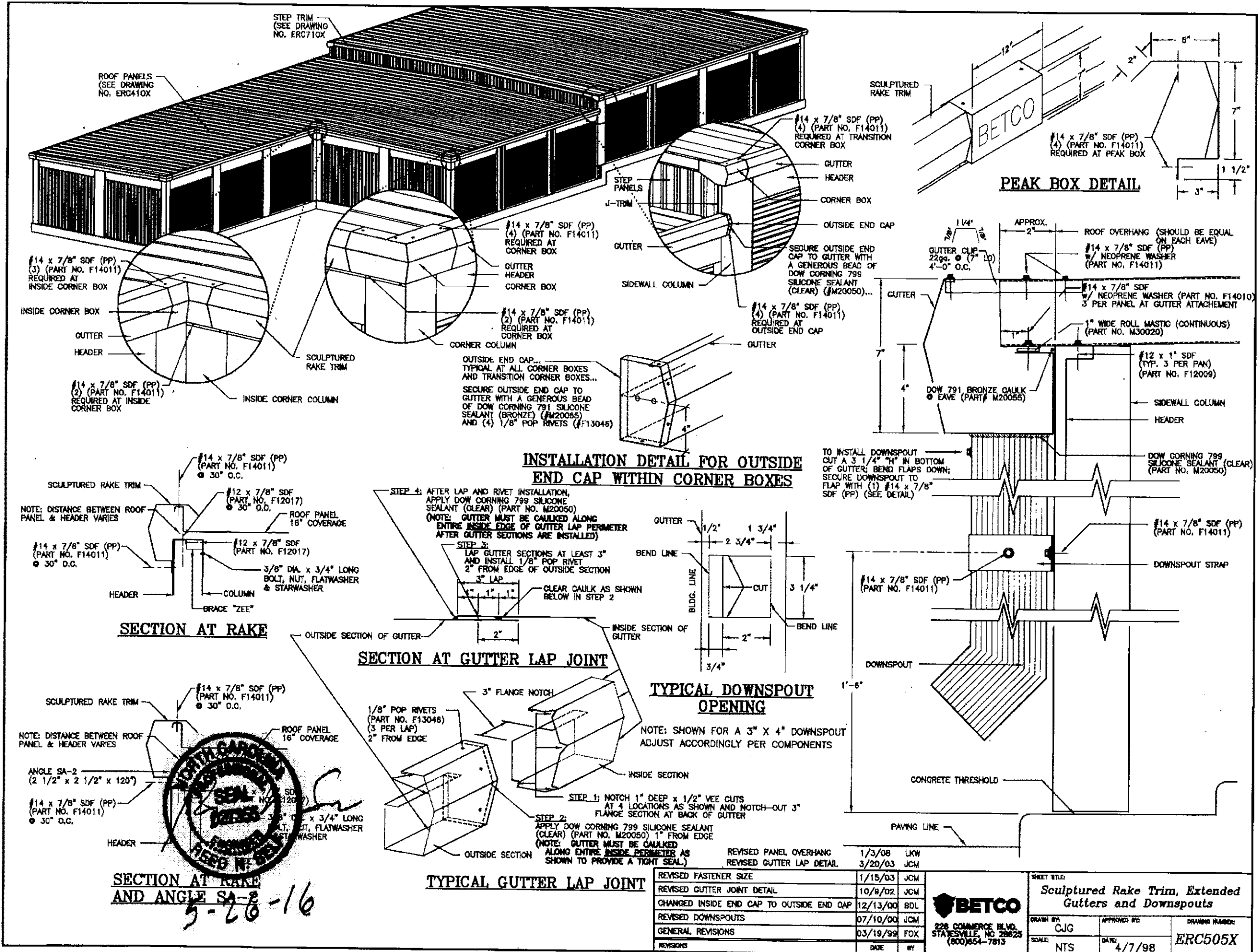


NOTE: NOT ALL ROOF SECTIONS REQUIRE A FLIP SHEET. IF THE ROOF SECTION LENGTH IS ON A 16" INCREMENT THEN A FLIP SHEET IS NOT REQUIRED. IT IS IMPERATIVE TO PROPERLY INSTALL ROOF PANELS AT THESE SECTIONS SO THAT A FLIP SHEET IS NOT REQUIRED. (FOR ROOF INSTALLATION SEE THE GENERAL NOTES THIS PAGE)

GENERAL NOTES:

- 316 PANELS ARE PACKAGED WITH 14 PANELS PER BUNDLE AND IN LENGTHS FROM 10' TO 60'
- FULL TRUCKLOAD QUANTITIES OF PANELS WILL REQUIRE AN ALL-TERRAIN FORKLIFT WITH LIFT HEIGHT CAPABILITY OF 13'-6" OR BOOM TRUCK WITH SPREADER BAR FOR OFFLOADING.
- PANELS STORED ON SITE SHOULD BE KEPT OFF GRADE OR PAVING WITH SKIDS OR DUNNAGE SPACED AT 15" CENTERS. BUNDLES SHOULD BE SLOPED TO ALLOW DRAINAGE OF MOISTURE. TARPING NOT NECESSARY.
- DURING INSTALLATION, PANEL EAVE LINE WILL RUN TRUE AND STRAIGHT PROVIDING "STARTER PANEL" IS SQUARE WITH BUILDING SIDEWALL. PARTICULAR CARE IS RECOMMENDED IN POSITIONING THE STARTER PANEL IN CONJUNCTION WITH USING A STRINGLINE AT THE SIDEWALL.
- PANEL COVERAGE SHOULD BE CHECKED AT 8' - 12' INTERVALS TO DETERMINE IF PANEL COVERAGE IS EQUAL AT BOTH SIDEWALLS. "GROWING" ONE SIDEWALL IS POSSIBLE BY ALLOWING A LESS TIGHT "FIT" WHILE MAINTAINING A TIGHT "FIT" AT THE OPPOSITE SIDEWALL. THE GAP BETWEEN VERTICAL RIBS SHOULD NOT EXCEED 1/8".
- AVOID EXCESSIVE FOOT TRAFFIC DURING AND AFTER INSTALLATION FOR ROOF SPAN CONDITIONS GREATER THAN 8'.
- BROOM SWEEP ROOF AFTER INSTALLATION TO REMOVE ALL METAL DEBRIS INCLUDING FASTENER DRILLINGS.

REVISIONS		DATE		BY		<p>228 COMMERCE BLVD. STATESVILLE, NC 28625 (800)854-7813</p>	<p>REVISIONS</p> <p>DATE</p> <p>BY</p>		<p>REVISIONS</p> <p>DATE</p> <p>BY</p>	<p>REVISIONS</p> <p>DATE</p> <p>BY</p>
REVISOR	DATE	BY	REVISIONS	DATE	BY		<p>REVISIONS</p> <p>DATE</p> <p>BY</p>	<p>REVISIONS</p> <p>DATE</p> <p>BY</p>	<p>REVISIONS</p> <p>DATE</p> <p>BY</p>	<p>REVISIONS</p> <p>DATE</p> <p>BY</p>



SECTION AT RAKE AND ANGLE SA-2

5-28-16

TYPICAL GUTTER LAP JOINT

REVISED FASTENER SIZE	1/15/03	JCM
REVISED GUTTER JOINT DETAIL	10/9/02	JCM
CHANGED INSIDE END CAP TO OUTSIDE END CAP	12/13/00	BDL
REVISED DOWNSPOUTS	07/10/00	JCM
GENERAL REVISIONS	03/19/99	FOX
REVISIONS	DATE	BY

REVISED PANEL OVERHANG 1/3/08 LKW

REVISED GUTTER LAP DETAIL 3/20/03 JCM

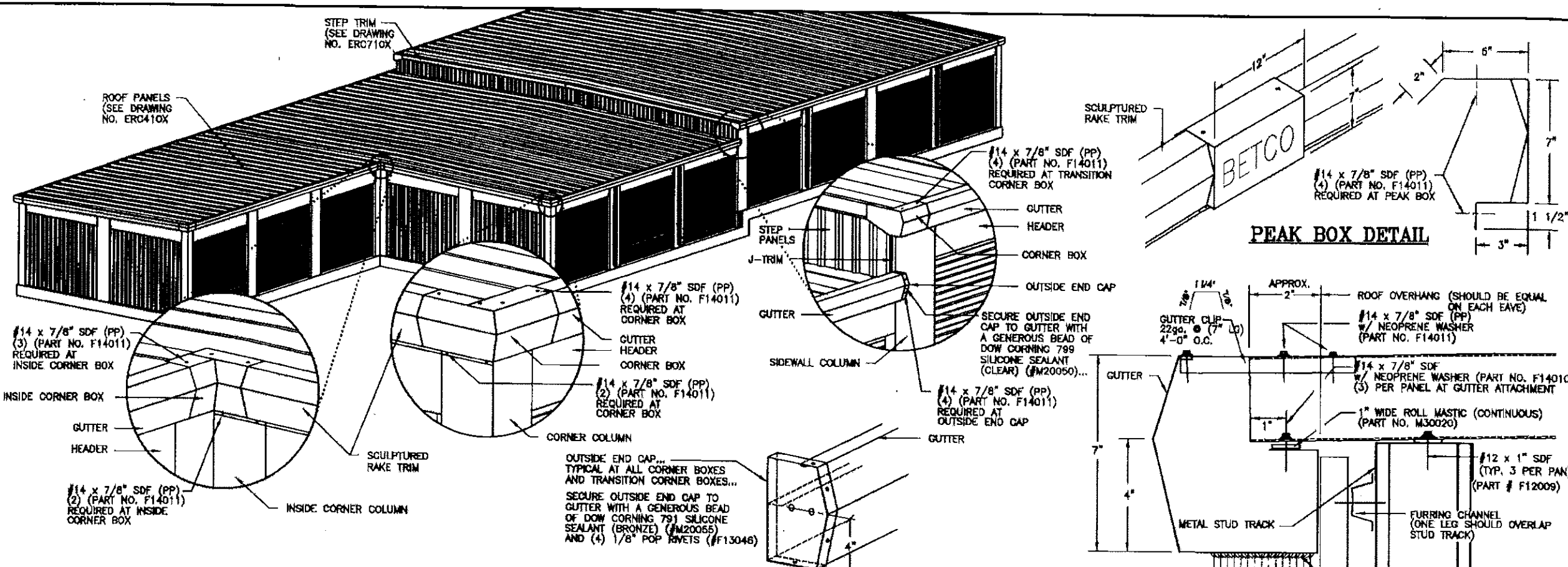
BETCO

228 COMMERCE BLDG. STATESVILLE, NC 28625 (800)654-7813

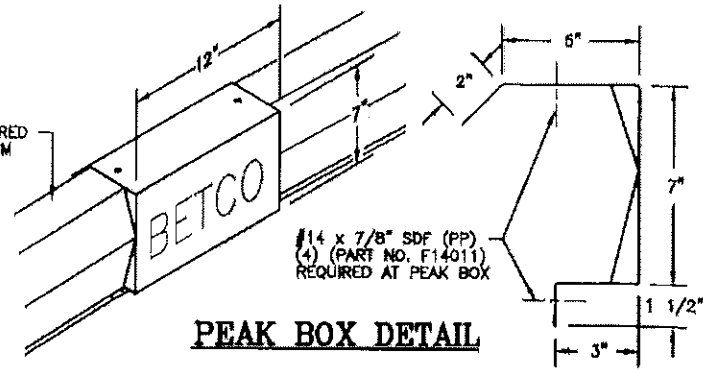
SHEET TITLE: **Sculptured Rake Trim, Extended Gutters and Downspouts**

DRAWN BY: C/JG APPROVED BY: DATE: 4/7/98

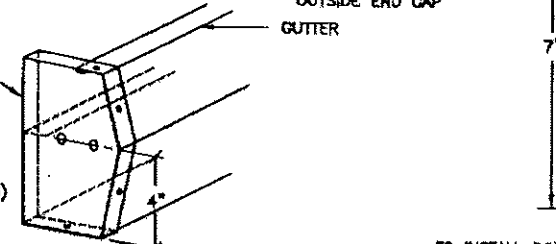
DRAWING NUMBER: ERC505X



PEAK BOX DETAIL

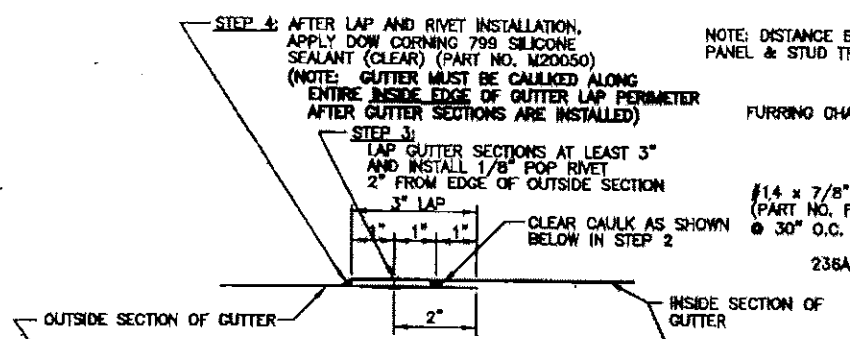


INSTALLATION DETAIL FOR OUTSIDE END CAP WITHIN CORNER BOXES

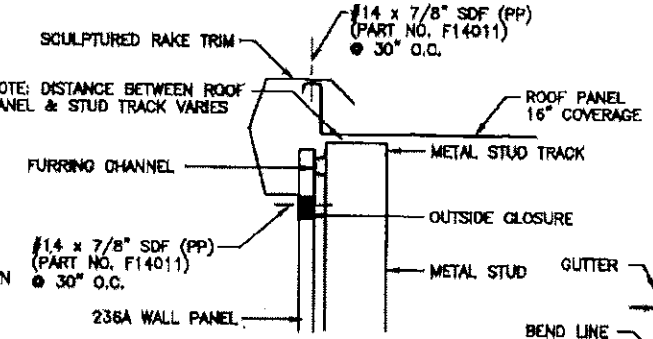


TO INSTALL DOWNSPOUT CUT A 3 1/4\"/>

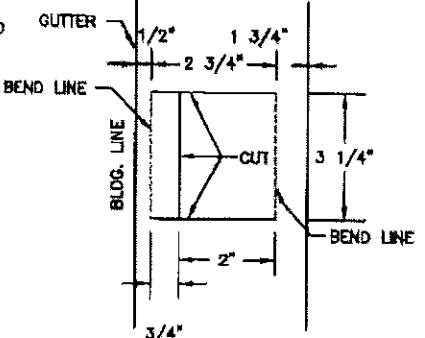
SECTION AT GUTTER LAP JOINT



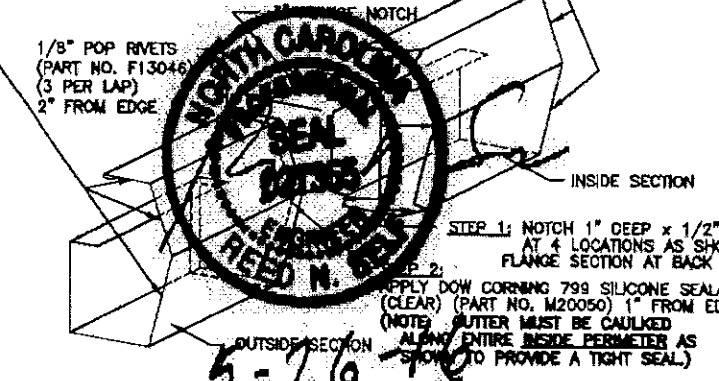
SECTION AT RAKE AT STUDWALL



TYPICAL DOWNSPOUT OPENING



NOTE: SHOWN FOR A 3\"/>

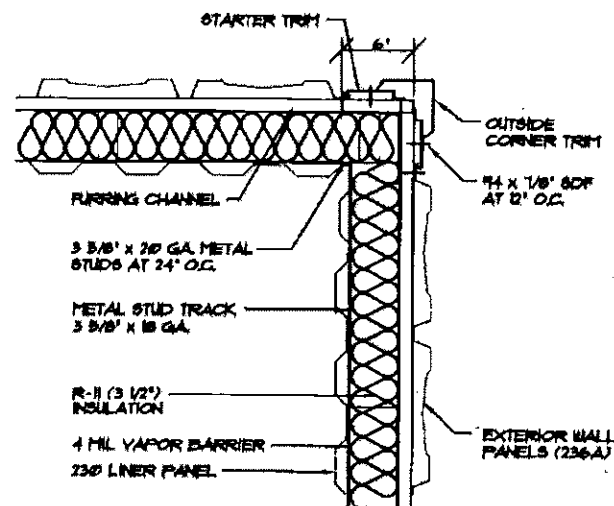


TYPICAL GUTTER LAP JOINT

REVISION	DATE	BY
REVISED PANEL OVERHANG	1/3/08	LKW
ADDED RAKE AT STUDWALL DETAIL	1/16/04	JCM
REVISED GUTTER LAP DETAIL	3/20/03	JCM
REVISED FASTENER SIZE	1/15/03	JCM
REVISED GUTTER JOINT DETAIL	10/28/02	JCM
REVISED STUDWALL NOTES	8/28/02	BAM
CHANGED INSIDE END CAP TO OUTSIDE END CAP	12/13/00	BDL



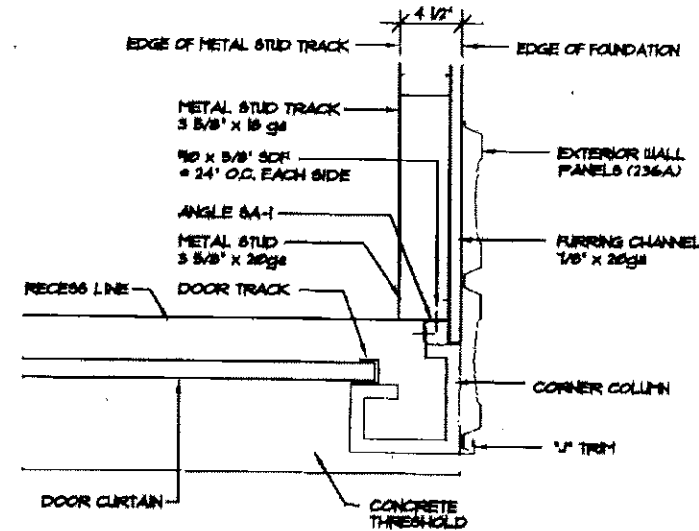
SHEET TITLE		DRAWING NUMBER	
Sculptured Rake Trim, Extended Gutters and Downspouts at Studwall		ERC506X	
DRAWN BY: CjG	APPROVED BY:	SCALE: NTS	DATE: 4/7/98



INSULATED STUDWALL CORNER DETAIL

A

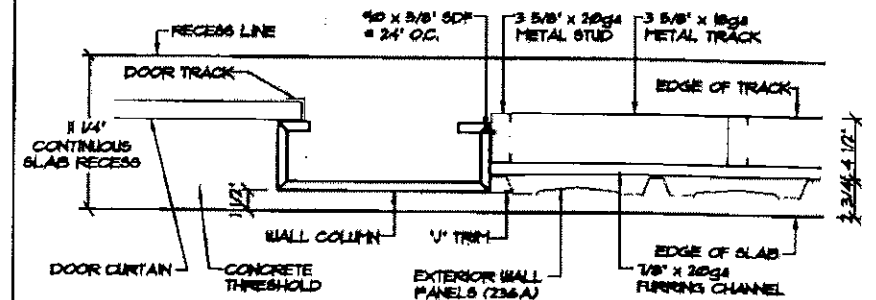
NOT TO SCALE



STUDWALL CONSTRUCTION @ CORNER COLUMN

C

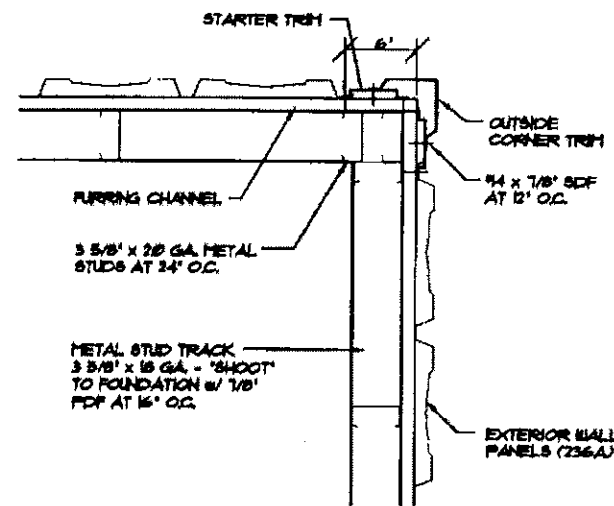
NOT TO SCALE



STUDWALL CONSTRUCTION @ WALL COLUMN IN RECESS

E

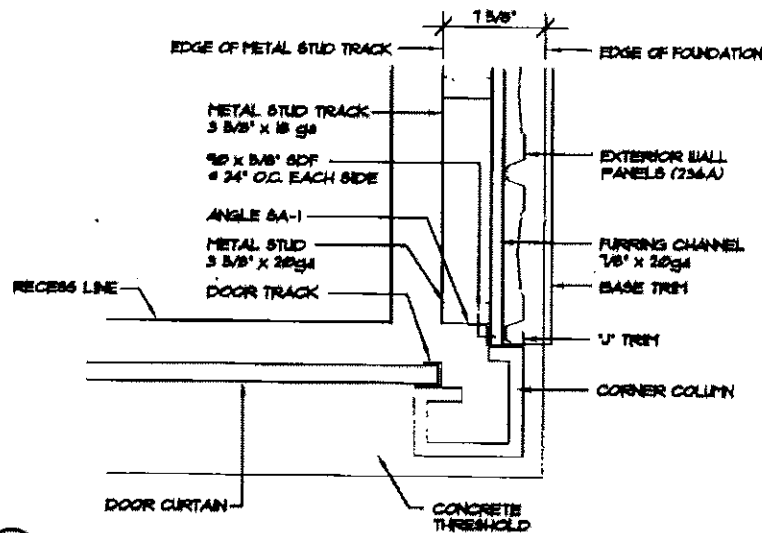
NOT TO SCALE



UNINSULATED STUDWALL CORNER DETAIL

B

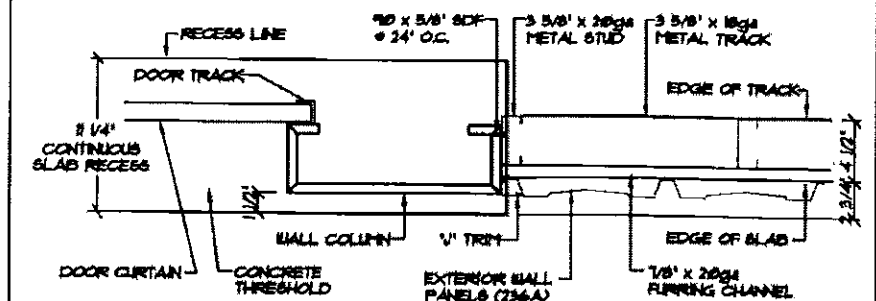
NOT TO SCALE



STUDWALL CONSTRUCTION @ CORNER COLUMN W/ THRESHOLD

D

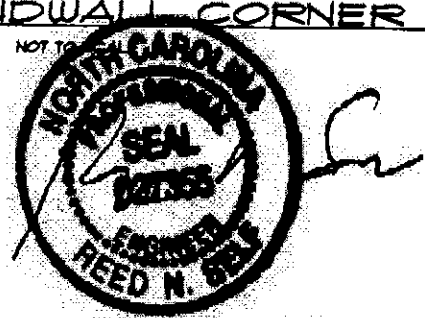
NOT TO SCALE



STUDWALL CONSTRUCTION @ WALL COLUMN

F

NOT TO SCALE

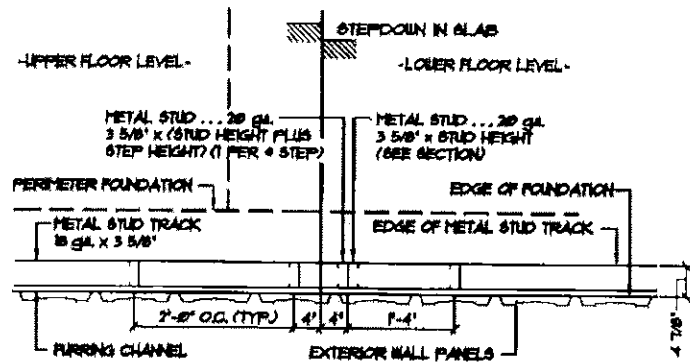


5-26-16

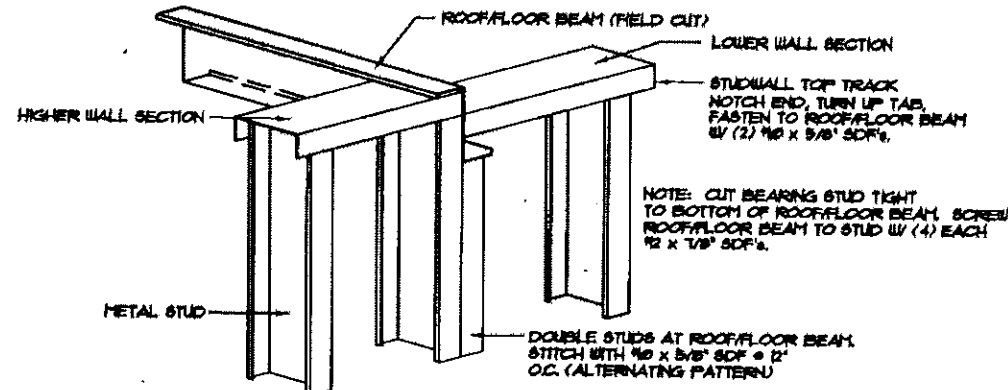
REVISIONS	DATE	BY
▲ REVISED STUD SIZE	8/29/02	BAM

BETCO
 228 COMMERCE BLVD.
 STATESVILLE, NC 28625
 (800)654-7813

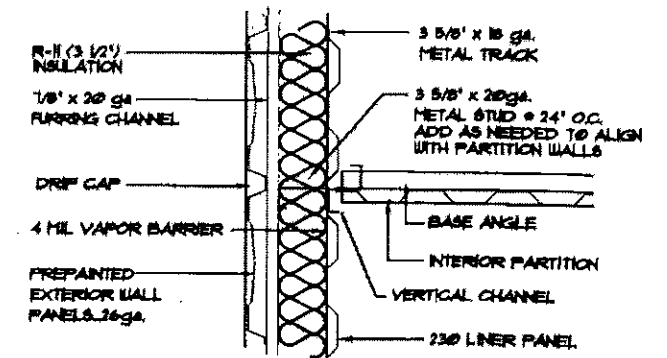
SHEET TITLE: Studwall Details		
DRAWN BY: CJG	APPROVED BY:	DRAWING NUMBER: ERC600X
SCALE: NTS	DATE: 4/14/00	



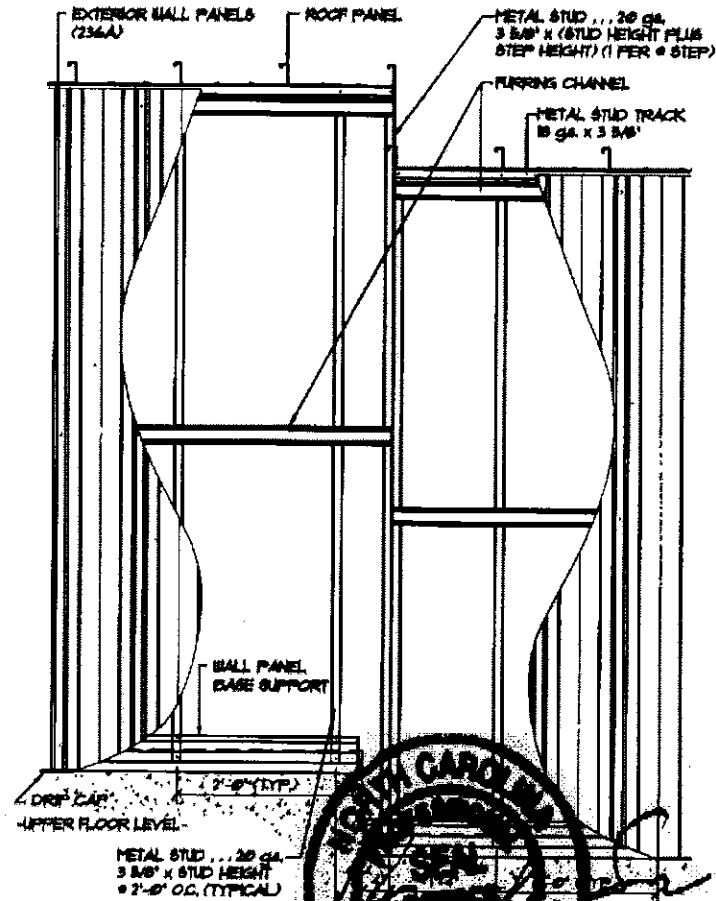
(A) PLAN VIEW OF STUDWALL @ FLOOR STEPDOWN
NOT TO SCALE



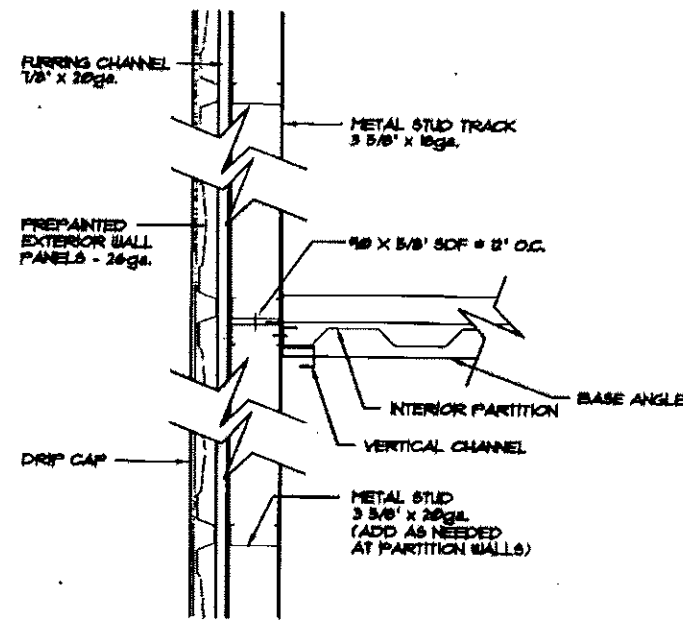
(C) ROOF/FLOOR BEAM @ STUDWALL
NOT TO SCALE



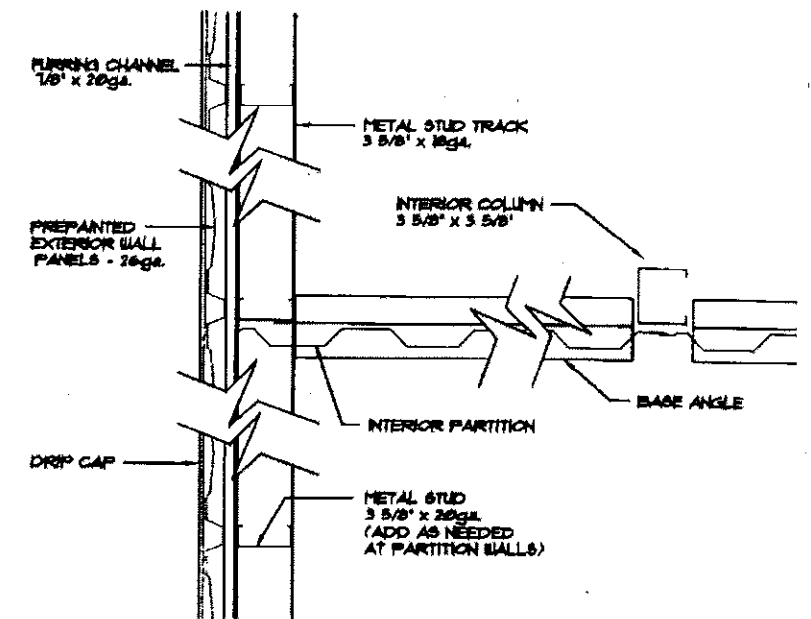
(E) PARTITION INSTALLATION AT INSULATED EXTERIOR STUDWALL
NOT TO SCALE



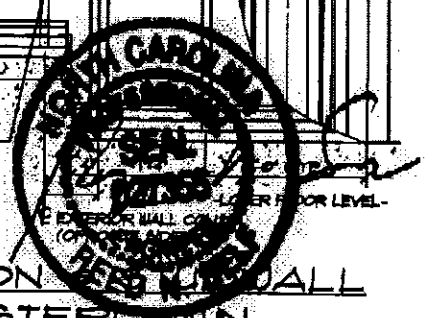
(B) ELEVATION OF STUDWALL AND STEPDOWN
NOT TO SCALE



(D) PARTITION INSTALLATION UNDER ROOF BEAM
NOT TO SCALE



(F) PARTITION INSTALLATION AT STUDWALL
NOT TO SCALE



REVISIONS	DATE	BY
REVISD C/601 TO INCLUDE FLOOR BEAM	5/1/03	JCM
REVISD C/601 TO INCLUDE FLOOR BEAM	4/17/03	JCM
REVISD STUD SIZE	8/23/02	BAM

BETCO
228 COMMERCE BLVD.
STATESVILLE, NC 28625
(800)654-7813

SHEET TITLE: Studwall Details		
DRAWN BY: CJG	APPROVED BY:	DRAWING NUMBER: ERC601X
SCALE: NTS	DATE: 4/14/00	

① **EXTERIOR STUDWALL CONSTRUCTION • FLAT SLAB:**
(SEE ERC620X)

- 3 5/8" METAL STUDS @ 24" O.C. - 20ga
- 3 5/8" CONTINUOUS FLOOR AND CEILING TRACK - 18ga. - FASTEN w/ 3/8" x 3" WEDGE ANCHOR (2" MIN. EMBEDMENT) @ 30" O.C. MAX
- 2 OR 3 ROWS CONTINUOUS 20ga. FURRING CHANNELS (NOTE #2)
- PRE-PAINTED EXTERIOR 236A WALL PANELS
- WALL PANEL BASE SUPPORT
- DRIP CAP (#T60120)
- *3 1/2" THICK FIBERGLASS INSULATION
- *4 MIL POLYETHYLENE VAPOR BARRIER
- *230 LINER PANELS @ INTERIOR (ATTACH EACH PANEL TO BASE & TOP TRACK WITH 4 EACH #10 x 5/8" SDF's)
- *J-TRIM @ TOP OF LINER PANELS
- SEE NOTE #4 FOR GENERAL STUDWALL CONSTRUCTION NOTES.

② **EXTERIOR STUDWALL CONSTRUCTION • RECESS:**
(SEE ERC630X)

- 3 5/8" METAL STUDS @ 24" O.C. - 20ga
- 3 5/8" CONTINUOUS FLOOR AND CEILING TRACK - 18ga. - FASTEN w/ 3/8" x 3" WEDGE ANCHOR (2" MIN. EMBEDMENT) @ 30" O.C. MAX
- 3 OR 4 ROWS CONTINUOUS 20ga. FURRING CHANNELS (NOTE #2)
- PRE-PAINTED EXTERIOR 236A WALL PANELS
- BASE TRIM (#T60593)
- *3 1/2" THICK FIBERGLASS INSULATION
- *4 MIL POLYETHYLENE VAPOR BARRIER
- *230 LINER PANELS @ INTERIOR (ATTACH EACH PANEL TO BASE & TOP TRACK WITH 4 EACH #10 x 5/8" SDF's)
- *J-TRIM @ TOP OF LINER PANELS
- SEE NOTE #4 FOR GENERAL STUDWALL CONSTRUCTION NOTES.

③ **INSULATED LOAD BEARING STUDWALL:**

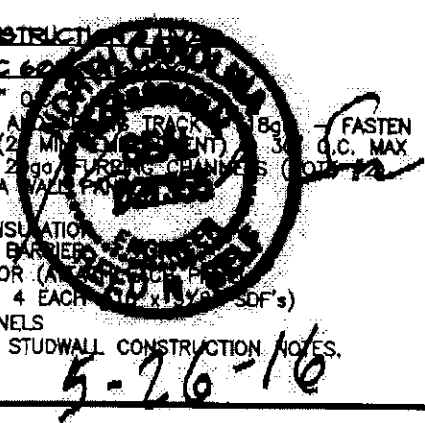
- 3 5/8" METAL STUDS @ 24" O.C. - 20ga
- 3 5/8" CONTINUOUS FLOOR AND CEILING TRACK - 18ga. - FASTEN w/ 3/8" x 3" WEDGE ANCHOR (2" MIN. EMBEDMENT) @ 30" O.C. MAX
- 3 1/2" THICK FIBERGLASS INSULATION
- 4 MIL POLYETHYLENE VAPOR BARRIER
- 230 LINER PANELS (EACH SIDE-ATTACH EACH PANEL TO TOP & BASE TRACK WITH 4 EACH #10 x 5/8" SDF's)
- J-TRIM @ TOP OF LINER PANELS
- SEE NOTE #4 FOR GENERAL STUDWALL CONSTRUCTION NOTES.

④ **INSULATED NON-LOAD BEARING STUDWALL:**

- 3 5/8" METAL STUDS @ 24" O.C. - 20ga
- 3 5/8" CONTINUOUS FLOOR AND CEILING TRACK - 20ga. (ATTACH BASE TRACK TO CONCRETE FLOOR SLAB WITH 7/8" PDF's @ 24" O.C.)
- 3 1/2" THICK FIBERGLASS INSULATION
- 4 MIL POLYETHYLENE VAPOR BARRIER
- 230 LINER PANELS (EACH SIDE-ATTACH EACH PANEL TO TOP & BASE TRACK WITH 4 EACH #10 x 5/8" SDF's)
- J-TRIM @ TOP OF LINER PANELS
- SEE NOTE #4 FOR GENERAL STUDWALL CONSTRUCTION NOTES.

⑤ **EXTERIOR STUDWALL CONSTRUCTION • INSET/ALCOVE:** (ERC 620X & 621X)

- 3 5/8" METAL STUDS @ 24" O.C. - 20ga
- 3 5/8" CONTINUOUS FLOOR AND CEILING TRACK - 18ga. - FASTEN w/ 3/8" x 3" WEDGE ANCHOR (2" MIN. EMBEDMENT) @ 30" O.C. MAX
- 3 OR 4 ROWS CONTINUOUS 20ga. FURRING CHANNELS (NOTE #2)
- PRE-PAINTED EXTERIOR 236A WALL PANELS
- DRIP CAP (#T50032)
- *3 1/2" THICK FIBERGLASS INSULATION
- *4 MIL POLYETHYLENE VAPOR BARRIER
- *230 LINER PANELS @ INTERIOR (ATTACH EACH PANEL TO BASE & TOP TRACK WITH 4 EACH #10 x 5/8" SDF's)
- *J-TRIM @ TOP OF LINER PANELS
- SEE NOTE #4 FOR GENERAL STUDWALL CONSTRUCTION NOTES.



⑥ **FIRE RESISTANT PARTITION... 1 HOUR RATED**
UL • U465... (NON-LOAD BEARING)

ONE HOUR FIREWALL CONSTRUCTION:

- 3 5/8" METAL STUDS @ 24" O.C. - 20ga.
- 3 5/8" CONTINUOUS FLOOR AND CEILING TRACK - 20ga (TOP TRACK MUST FOLLOW SLOPE OF ROOF DECK)
- (SECURE BOTTOM TRACK w/ 7/8" PDF'S AT 24" O.C.)
- 5/8" GYPSUM BOARD (X-RATED) EACH SIDE IT MUST BE PLACED SUCH THAT ALL JOINTS ARE VERTICAL.
- GYPSUM BOARD SHALL BE ATTACHED TO STUDS, FLOOR AND CEILING TRACK USING TYPE "S" SELF-TAPPING SCREWS
- ALONG EDGES OF BOARD SPACED 8" O.C. AND 12" O.C. IN THE FIELD.
- VINYL OR CASE-IN, DRY OR PRE-MIXED JOINT COMPOUND APPLIED IN TWO COATS TO JOINTS SCREW-HEADS. PERFORATED PAPER TAPE, 2" WIDE, EMBEDDED IN FIRST LAYER OF COMPOUND OVER ALL JOINTS.
- *3 1/2" THICK FIBERGLASS INSULATION
- *4 MIL POLYETHYLENE VAPOR BARRIER
- SEE NOTE #4 FOR GENERAL STUDWALL CONSTRUCTION NOTES.

⑦ **FIRE RESISTANT PARTITION... 1 HOUR RATED**
UL • U475... (LOAD BEARING)

ONE HOUR FIREWALL CONSTRUCTION:

- 3 5/8" METAL STUDS @ 24" O.C. - 20ga.
- 3 5/8" CONTINUOUS FLOOR & CEILING TRACK - 18ga - FASTEN w/ 3/8" x 3" WEDGE ANCHOR (2" MIN. EMBEDMENT) @ 30" O.C. MAX (TOP TRACK MUST FOLLOW SLOPE OF ROOF DECK)
- 5/8" GYPSUM BOARD (X-RATED) EACH SIDE IT MUST BE PLACED SUCH THAT ALL JOINTS ARE VERTICAL.
- GYPSUM BOARD SHALL BE ATTACHED TO STUDS, FLOOR AND CEILING TRACK USING TYPE "S" SELF-TAPPING SCREWS ALONG EDGES OF BOARD SPACED 8" O.C. AND 12" O.C. IN THE FIELD.
- VINYL OR CASE-IN, DRY OR PRE-MIXED JOINT COMPOUND APPLIED IN TWO COATS TO JOINTS SCREW-HEADS. PERFORATED PAPER TAPE, 2" WIDE, EMBEDDED IN FIRST LAYER OF COMPOUND OVER ALL JOINTS.
- *3 1/2" THICK FIBERGLASS INSULATION
- *4 MIL POLYETHYLENE VAPOR BARRIER
- SEE NOTE #4 FOR GENERAL STUDWALL CONSTRUCTION NOTES.

⑧ **EXTERIOR FIRE RESISTANT PARTITION... 1 HOUR RATED**
UL • U423... (LOAD BEARING)

ONE HOUR FIREWALL CONSTRUCTION:

- 3 5/8" METAL STUDS @ 24" O.C. - 20ga.
- 3 5/8" CONTINUOUS FLOOR AND CEILING TRACK - 18ga. - FASTEN w/ 3/8" x 3" WEDGE ANCHOR (2" MIN. EMBEDMENT) @ 30" O.C. MAX (TOP TRACK MUST FOLLOW SLOPE OF ROOF DECK)
- 2 OR 3 ROWS CONTINUOUS 20ga. FURRING CHANNELS (NOTE #2)
- PRE-PAINTED EXTERIOR 236A WALL PANELS
- WALL PANEL BASE SUPPORT
- DRIP CAP (#T60120)
- 1 LAYER 5/8" GYPSUM BOARD (X-RATED) EACH SIDE IT MUST BE PLACED SUCH THAT ALL JOINTS ARE VERTICAL.
- GYPSUM BOARD SHALL BE ATTACHED TO STUDS, FLOOR AND CEILING TRACK USING TYPE "S" SELF-TAPPING SCREWS ALONG EDGES OF BOARD SPACED 8" O.C. AND 12" O.C. IN THE FIELD.
- VINYL OR CASE-IN, DRY OR PRE-MIXED JOINT COMPOUND APPLIED IN TWO COATS TO JOINTS SCREW-HEADS. PERFORATED PAPER TAPE, 2" WIDE, EMBEDDED IN FIRST LAYER OF COMPOUND OVER ALL JOINTS.
- *3 1/2" THICK FIBERGLASS INSULATION
- *4 MIL POLYETHYLENE VAPOR BARRIER
- SEE NOTE #4 FOR GENERAL STUDWALL CONSTRUCTION NOTES.

⑨ **EXTERIOR FIRE RESISTANT PARTITIONS • RECESS:**
UL • U423... (1 HOUR RATED) (LOAD BEARING)

ONE HOUR FIREWALL CONSTRUCTION:

- 3 5/8" METAL STUDS @ 24" O.C. - 20ga.
- 3 5/8" CONTINUOUS FLOOR AND CEILING TRACK - 18ga. - FASTEN w/ 3/8" x 3" WEDGE ANCHOR (2" MIN. EMBEDMENT) @ 30" O.C. MAX (TOP TRACK MUST FOLLOW SLOPE OF ROOF DECK)
- 3 OR 4 ROWS CONTINUOUS 20ga. FURRING CHANNELS (NOTE #2)
- PRE-PAINTED EXTERIOR 236A WALL PANELS
- DRIP CAP (#T60593)
- 1 LAYER 5/8" GYPSUM BOARD (X-RATED) EACH SIDE IT MUST BE PLACED SUCH THAT ALL JOINTS ARE VERTICAL.
- GYPSUM BOARD SHALL BE ATTACHED TO STUDS, FLOOR AND CEILING TRACK USING TYPE "S" SELF-TAPPING SCREWS
- ALONG EDGES OF BOARD SPACED 8" O.C. AND 12" O.C. IN THE FIELD.
- VINYL OR CASE-IN, DRY OR PRE-MIXED JOINT COMPOUND APPLIED IN TWO COATS TO JOINTS SCREW-HEADS. PERFORATED PAPER TAPE, 2" WIDE, EMBEDDED IN FIRST LAYER OF COMPOUND OVER ALL JOINTS.
- *3 1/2" THICK FIBERGLASS INSULATION
- *4 MIL POLYETHYLENE VAPOR BARRIER
- SEE NOTE #4 FOR GENERAL STUDWALL CONSTRUCTION NOTES.

⑩ **EXTERIOR FIRE RESISTANT PARTITION • HVAC INSET/ALCOVE**
UL • 423... (1 HOUR RATED) (LOAD BEARING) (ERC 620X & 621X)

ONE HOUR FIREWALL CONSTRUCTION:

- 3 5/8" METAL STUDS @ 24" O.C. - 20ga.
- 3 5/8" CONTINUOUS FLOOR AND CEILING TRACK - 18ga. - FASTEN w/ 3/8" x 3" WEDGE ANCHOR (2" MIN. EMBEDMENT) @ 30" O.C. MAX (TOP TRACK MUST FOLLOW SLOPE OF ROOF DECK)
- 3 OR 4 ROWS CONTINUOUS 20ga. FURRING CHANNELS (NOTE #2)
- PRE-PAINTED EXTERIOR 236A WALL PANELS
- DRIP CAP (#T50032)
- 1 LAYER 5/8" GYPSUM BOARD (X-RATED) EACH SIDE IT MUST BE PLACED SUCH THAT ALL JOINTS ARE VERTICAL.
- GYPSUM BOARD SHALL BE ATTACHED TO STUDS, FLOOR AND CEILING TRACK USING TYPE "S" SELF-TAPPING SCREWS
- ALONG EDGES OF BOARD SPACED 8" O.C. AND 12" O.C. IN THE FIELD.
- VINYL OR CASE-IN, DRY OR PRE-MIXED JOINT COMPOUND APPLIED IN TWO COATS TO JOINTS SCREW-HEADS. PERFORATED PAPER TAPE, 2" WIDE, EMBEDDED IN FIRST LAYER OF COMPOUND OVER ALL JOINTS.
- *3 1/2" THICK FIBERGLASS INSULATION
- *4 MIL POLYETHYLENE VAPOR BARRIER
- SEE NOTE #4 FOR GENERAL STUDWALL CONSTRUCTION NOTES.

- NOTE #1: INTENTIONALLY BLANK.
- NOTE #2: AS PER WALL CONSTRUCTION NOTES, EXTERIOR STUDWALLS ARE CONSTRUCTED WITH "X" OR "Y" ROWS OF FURRING CHANNELS IF WALL IS LESS THAN 8'-10 1/2" HGT. A.F.F., CONSTRUCT WITH "X" ROWS; OTHERWISE USE "Y".
- NOTE #3: "**" ON THIS SHEET, REFERS TO THE ADDITIONAL MATERIALS REQUIRED FOR INSULATION OF WALL SYSTEM. NOT ALL WALLS ARE INSULATED. VERIFY WITH FLOOR PLANS. INSTALL INSULATION & RELATED MATERIALS ONLY IN WALLS DESIGNATED WITH AN "*" BESIDE THE DETAIL NUMBER ON THE FLOOR PLAN.
- NOTE #4: GENERAL STUDWALL CONSTRUCTION:
A) - ATTACH STUDS WITH #10 x 5/8" SDF'S EACH SIDE OF TRACK (4 PER STUD).
B) - WALLS MUST EXTEND FROM FLOOR TO ROOF DECK AND INTO WALL COLUMN CAVITY.
C) - TOP TRACK MUST FOLLOW SLOPE OF ROOF LINE.

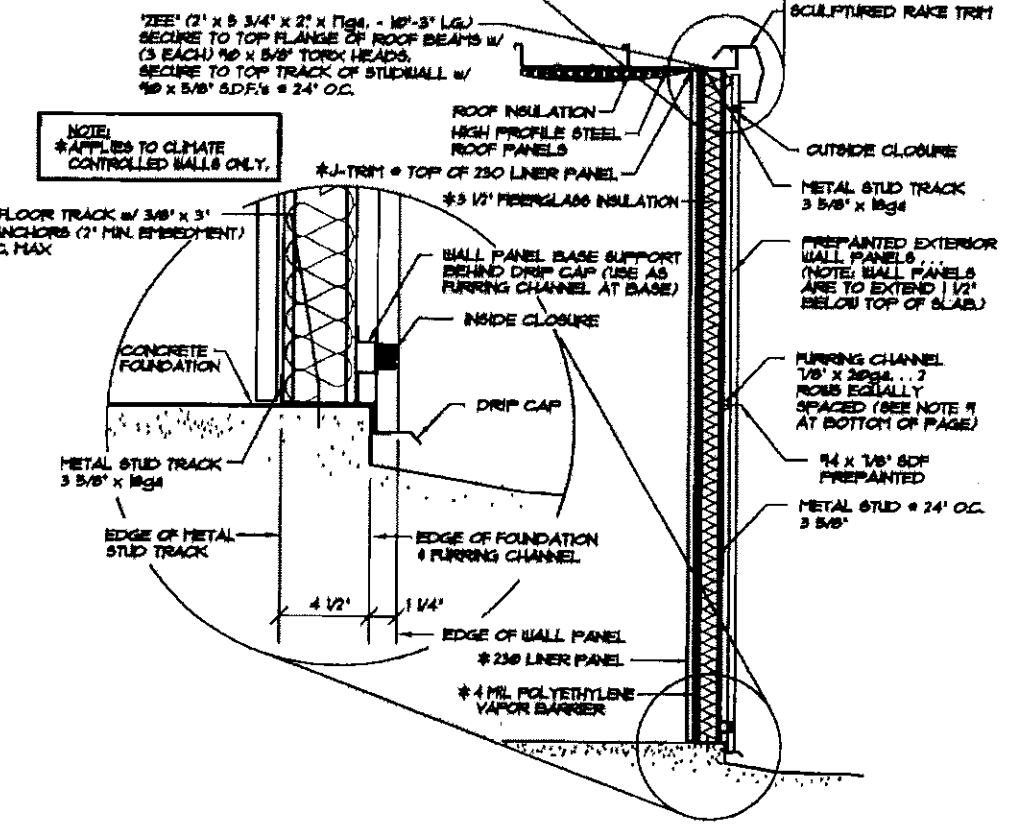
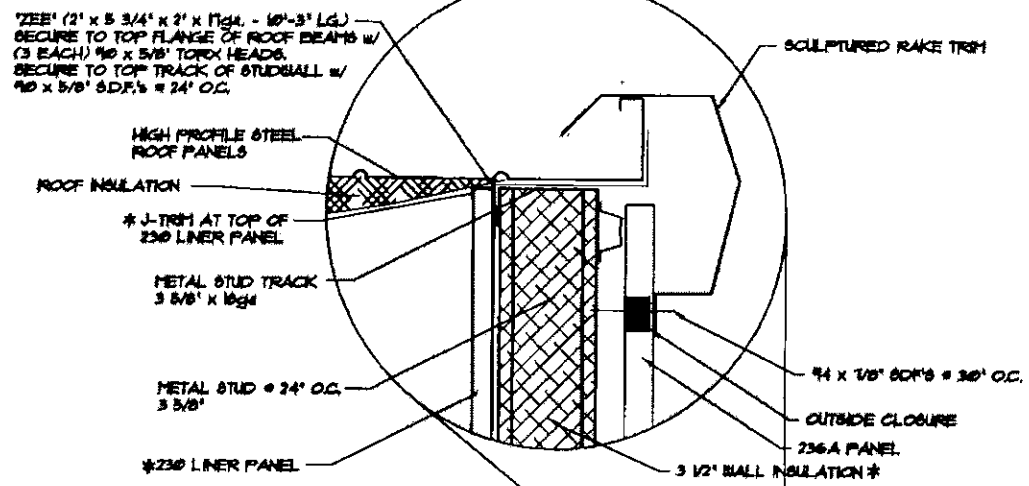
REVISIONS	DATE	BY
REVISED STUD TRACK FASTENERS TO CONCRETE	9/24/10	JCM
REVISED STUD TRACK FASTENERS	1/12/04	JCM
REVISED STUD SIZE	8/29/02	BAM
REVISE LAYERS, GYPSUM BOARD THICKNESS & UL ON NOTES #8, 9, 10	11/16/01	JRB
ADDED ERC 620X & 621X TO NOTE #10	08/28/01	JCM
CHANGED 5/8" TO (2 LAYERS 1/2")	02/21/01	DSF



SHEET TITLE: Studwall Notes

DRAWN BY: RS APPROVED BY: DATE: 11/02/00 DRAWING NUMBER: ERC610X

SCALE: NTS

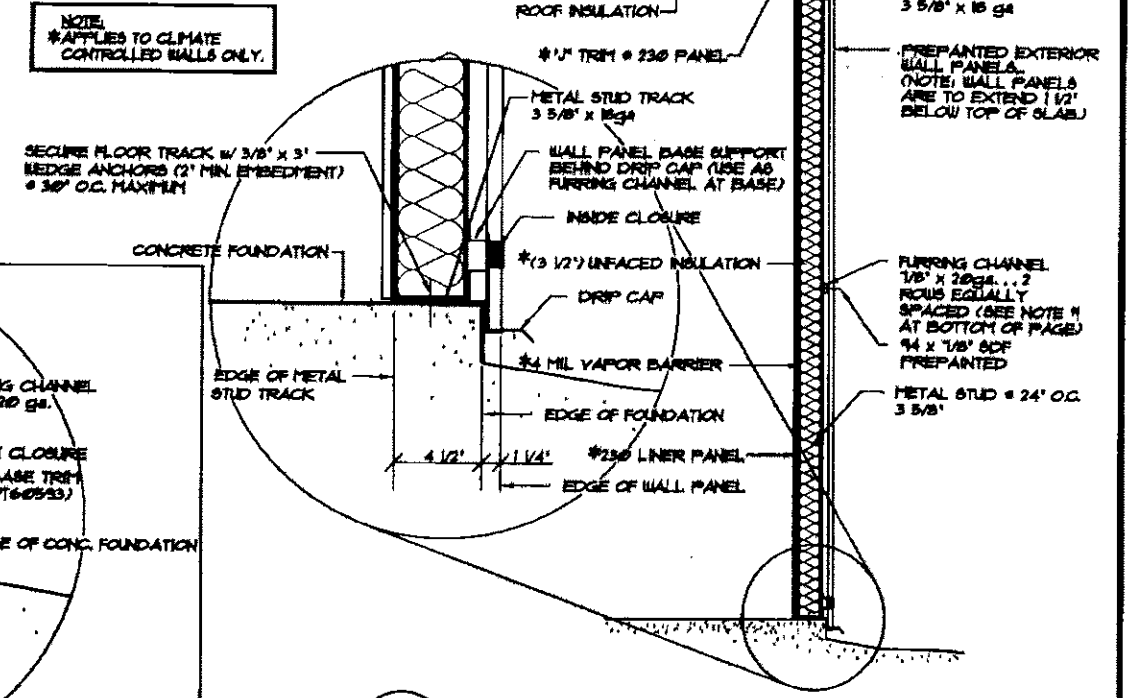
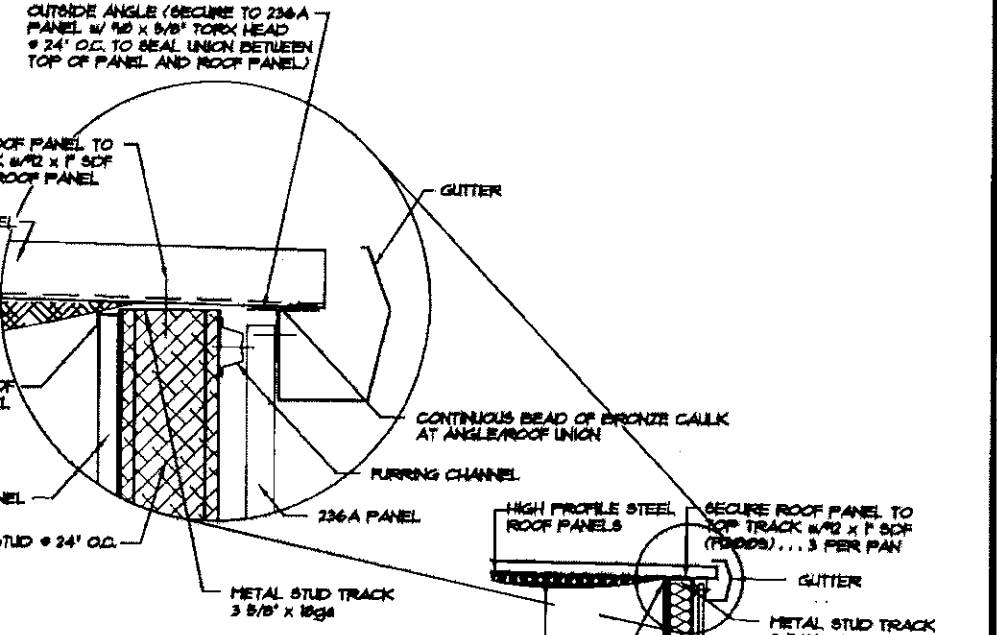
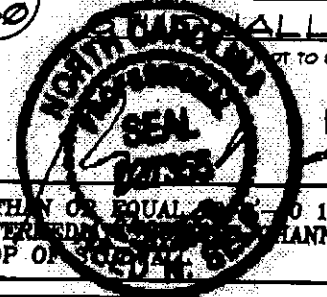


A SECTION AT EXTERIOR WALL ENDWALL
630 NOT TO SCALE

NOTE #1: IF STUDWALL IS GREATER THAN OR EQUAL TO 1 1/2" HGT. 2 EQUALLY SPACED ROWS OF INTERMEDIATE FURRING CHANNELS ARE REQUIRED BETWEEN BASE AND TOP OF STUDWALL.

NOTE #2: NOT ALL BUILDINGS HAVE ROOF INSULATION. CHECK CROSS SECTION FOR INSULATION.

5-26-16



BASE CONDITION FOR STUDWALL IN RECESS

B SECTION AT EXTERIOR STUDWALL SIDEWALL
630 NOT TO SCALE

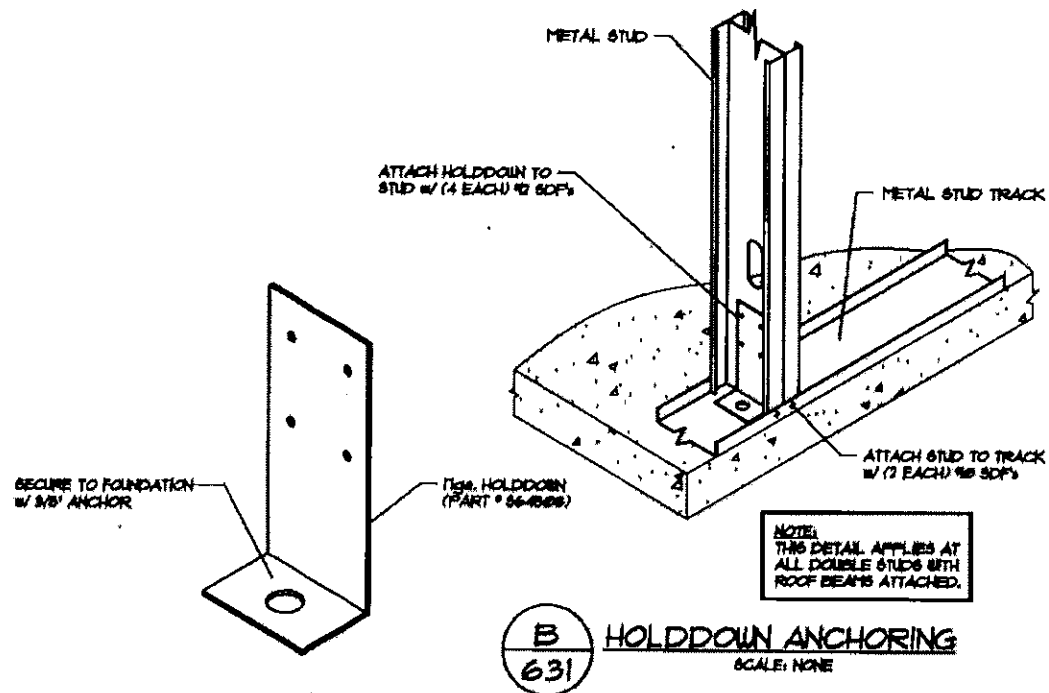
REVISIONS	DATE	BY

BETCO
228 COMMERCE BLVD.
STATESVILLE, NC 28625
(800)654-7813

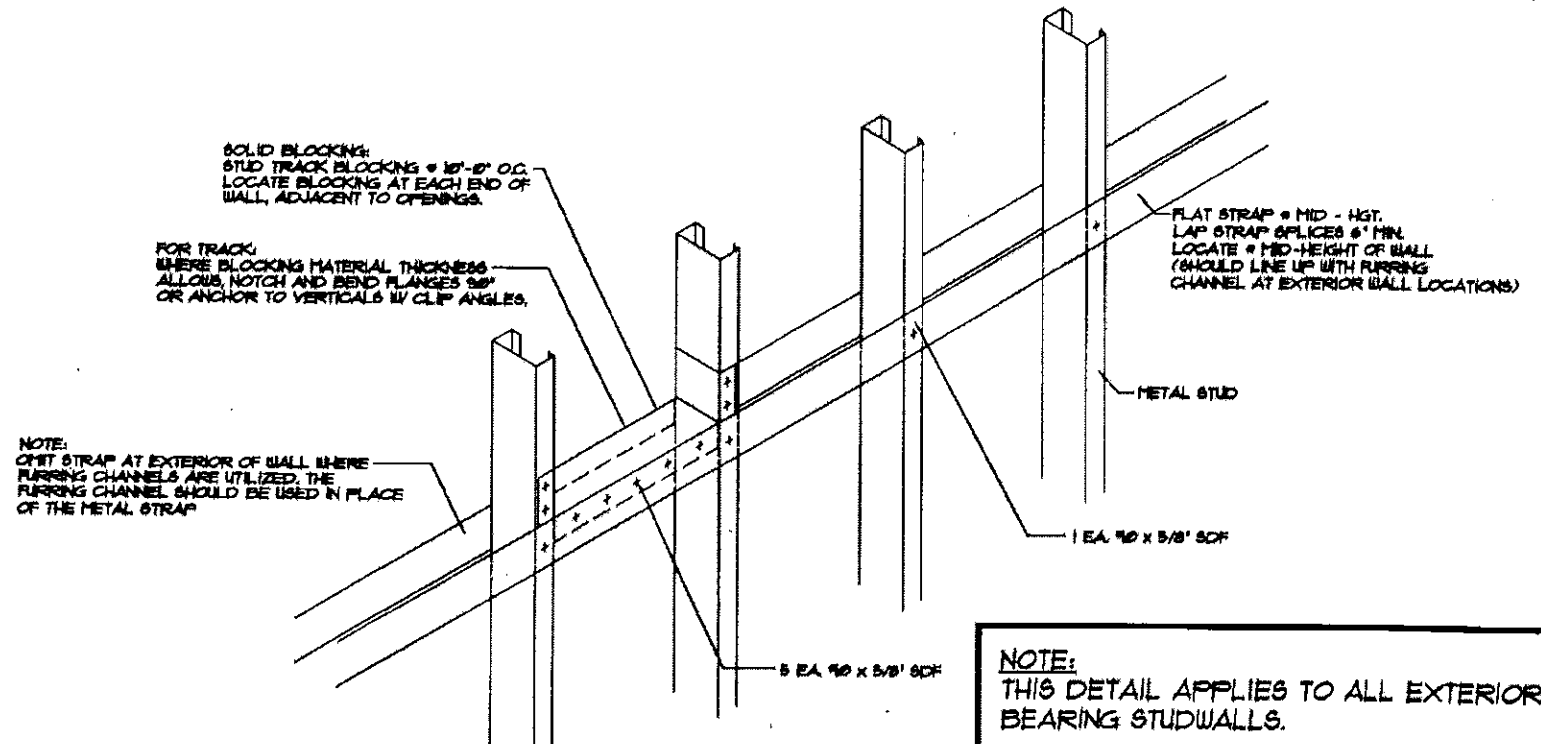
SHEET TITLE: Studwall Sections

DRAWN BY: JCM APPROVED BY: DRAWING NUMBER: ERC630X

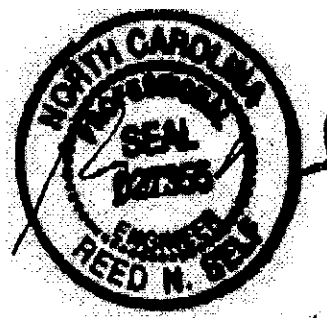
SCALE: NTS DATE: 11/8/11



B
631
HOLDDOWN ANCHORING
SCALE: NONE



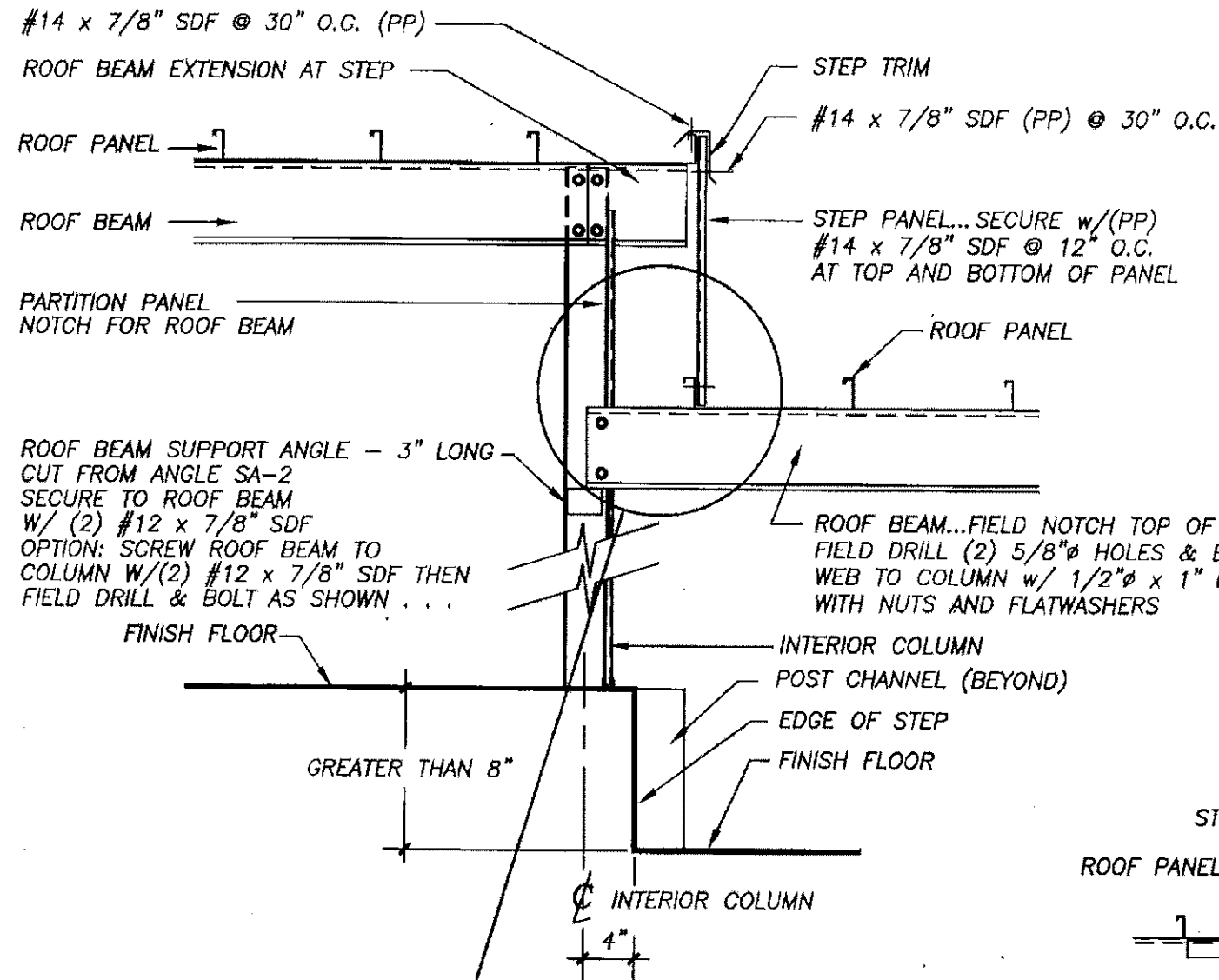
A
631
WALL BLOCKING DETAIL
SCALE: NONE



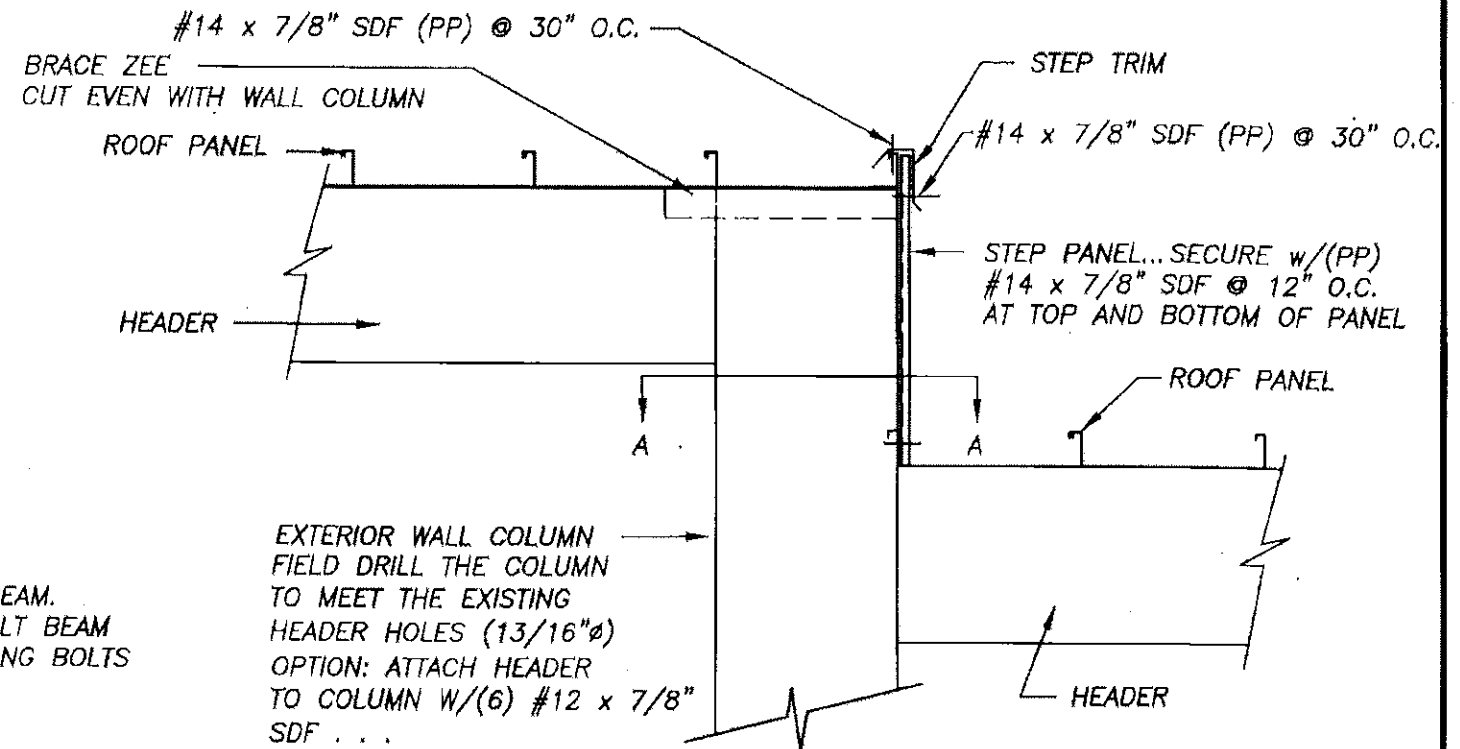
5-26-16

REVISIONS	DATE	BY

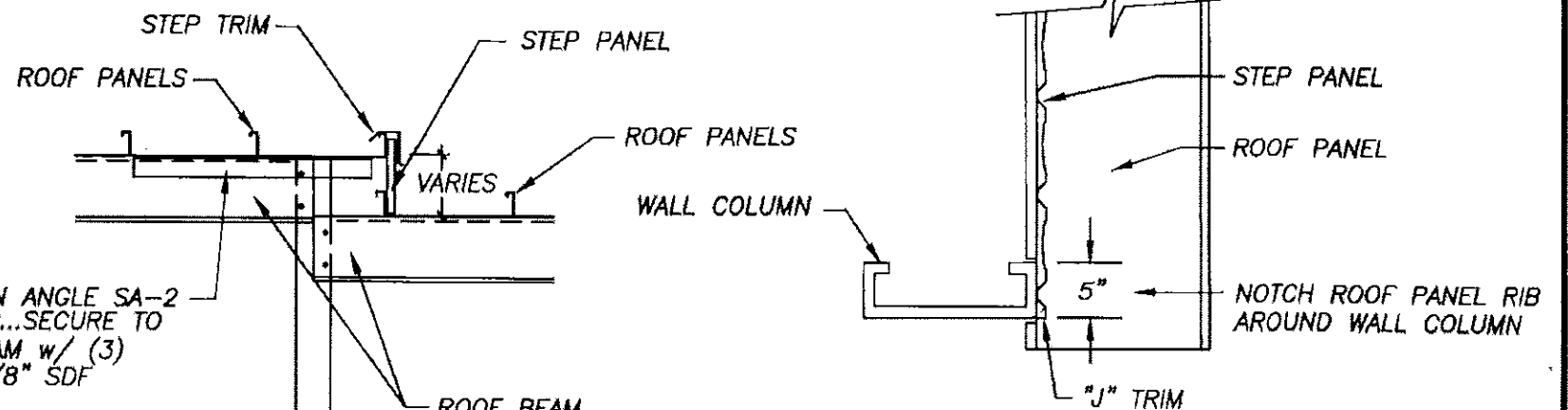
<p>BETCO 228 COMMERCE BLVD. STATESVILLE, NC 28625 (800)654-7813</p>			SHEET TITLE: Studwall Details	
			DRAWN BY: JCM	APPROVED BY:
SCALE: NTS		DATE: 11/8/11		



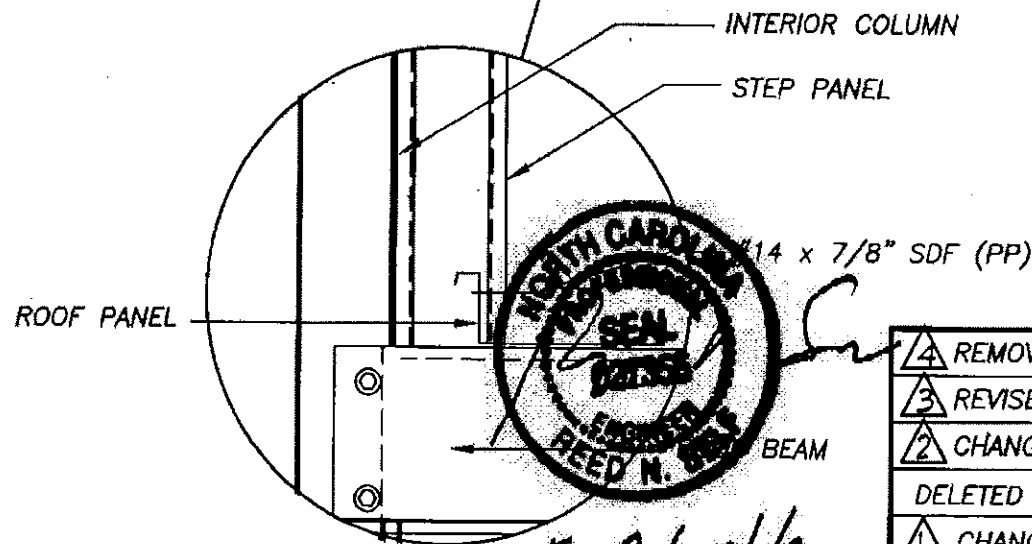
TYPICAL STEPDOWN SECTION



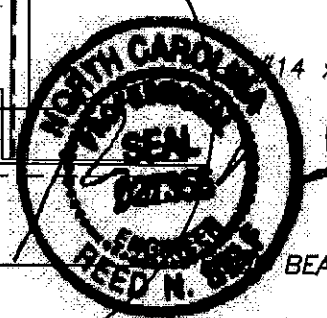
TYPICAL STEPDOWN ELEVATION



DETAIL AT ROOF STEP 8" OR LESS



5-26-16

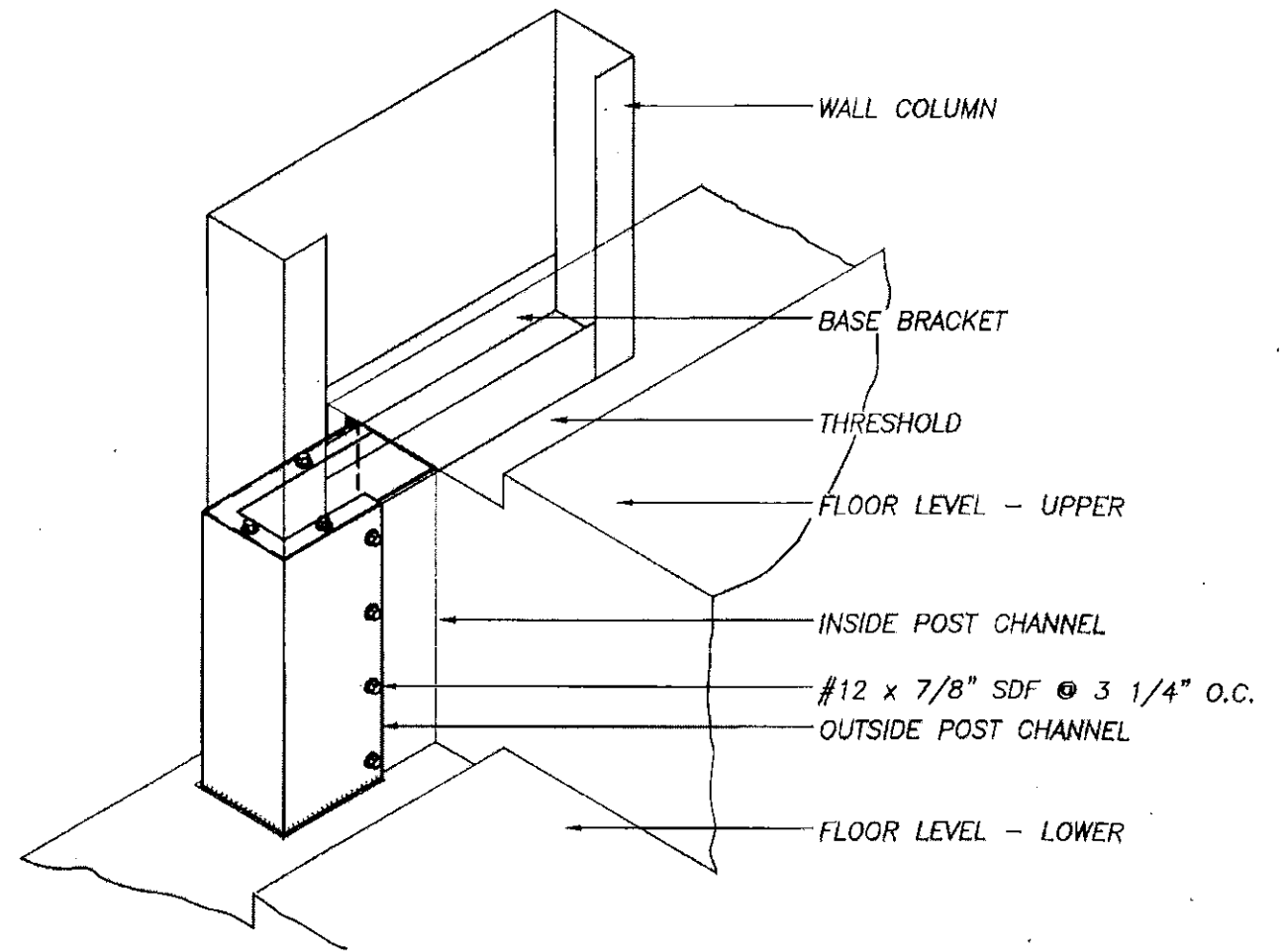
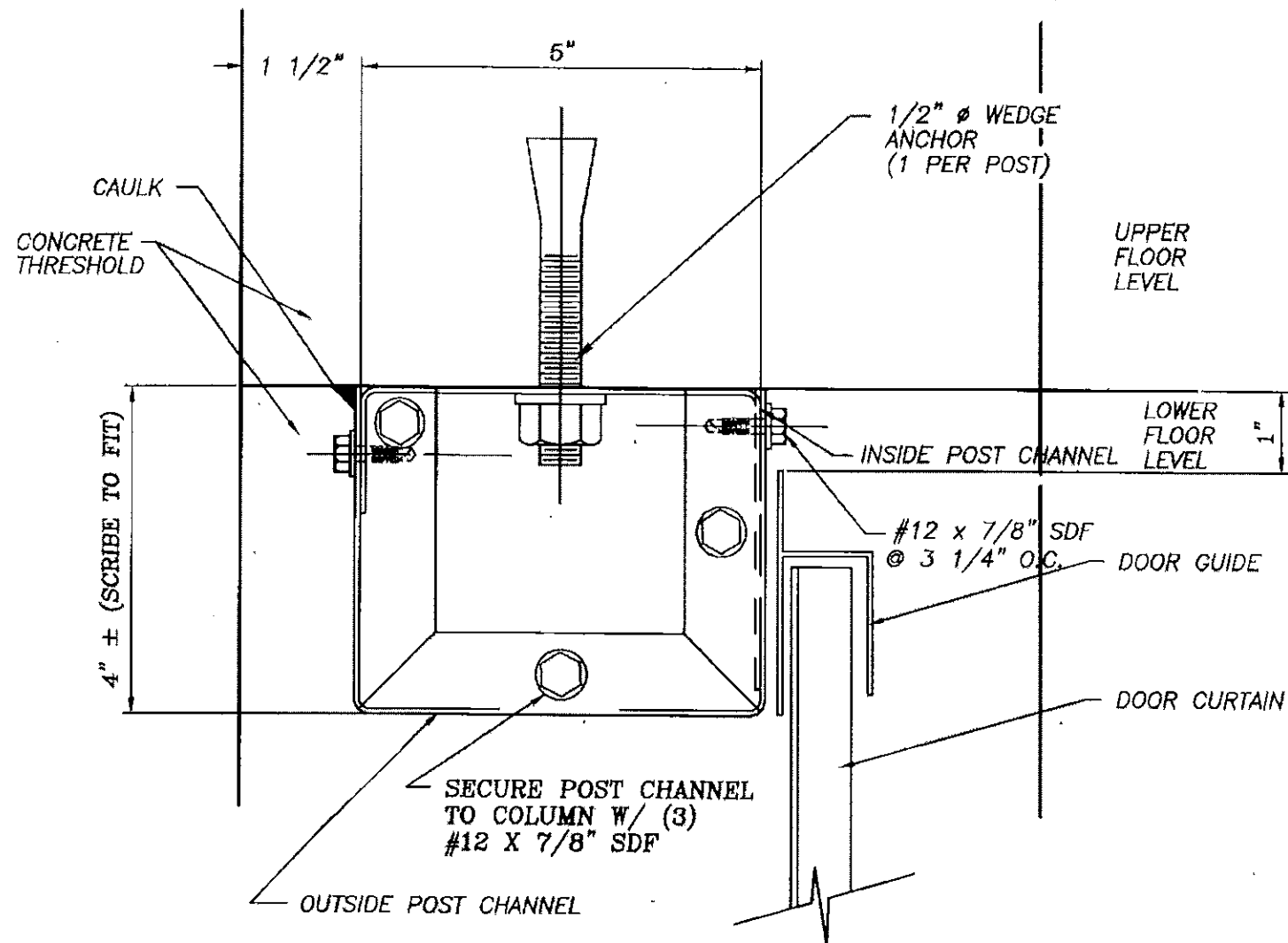


REVISIONS	DATE	BY
4 REMOVED FLIPSHEET NOTE	2/16/04	JCM
3 REVISED FASTENER SIZE	1/15/03	JCM
2 CHANGED 8" STEP TO 236A PANEL AND DELETED SA-1 AT TYPICAL STEP DOWN SECTION	10-9-01	SBJ
1 CHANGED STEP PANEL TO 236A PANEL	4-8-99	CWM

BETCO
228 COMMERCE BLVD.
STATESVILLE, NC 28625
(800)654-7813

SHEET TITLE: STEPDOWN SECTIONS (Roof and Floor)		
DRAWN BY: J Pope	APPROVED BY:	DRAWING NUMBER: ERC710X
SCALE: NTS	DATE: 6-29-94	

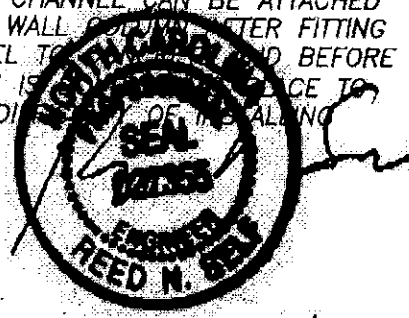
NOTE: SCRIBE OUTSIDE POST CHANNEL (9" LEG) TO FIT AGAINST CONCRETE. THEN APPLY CAULK OVER SEAM TO SEAL CUT EDGES. TRIM BOTTOM AS NEEDED. CAULK AROUND BOTTOM TO SEAL CUT EDGE. FASTEN W/(4) PREPAINTED #14 X 7/8" SDF SCREWS @ 3 1/4" O.C. ON OUTSIDE FACE OF OUTSIDE POST CHANNEL. FASTEN OUTSIDE POST CHANNEL TO WALL COLUMN W/ (3) #12 X 7/8" S.D.F.



PLAN VIEW @ POST CHANNEL

POST CHANNEL DETAIL AT FLOOR STEP

NOTE: POST CHANNEL CAN BE ATTACHED TO EXTERIOR WALL COLUMN AFTER FITTING POST CHANNEL TO THRESHOLD BEFORE WALL COLUMN IS INSTALLED TO LESSEN THE DISTANCE OF INSTALLING #12 SCREWS.



5-26-16

REVISIONS	DATE	BY
△ REVISED FASTENER SIZE	1/15/03	JCM
△ GENERAL REVISIONS	3-8-99	FOX

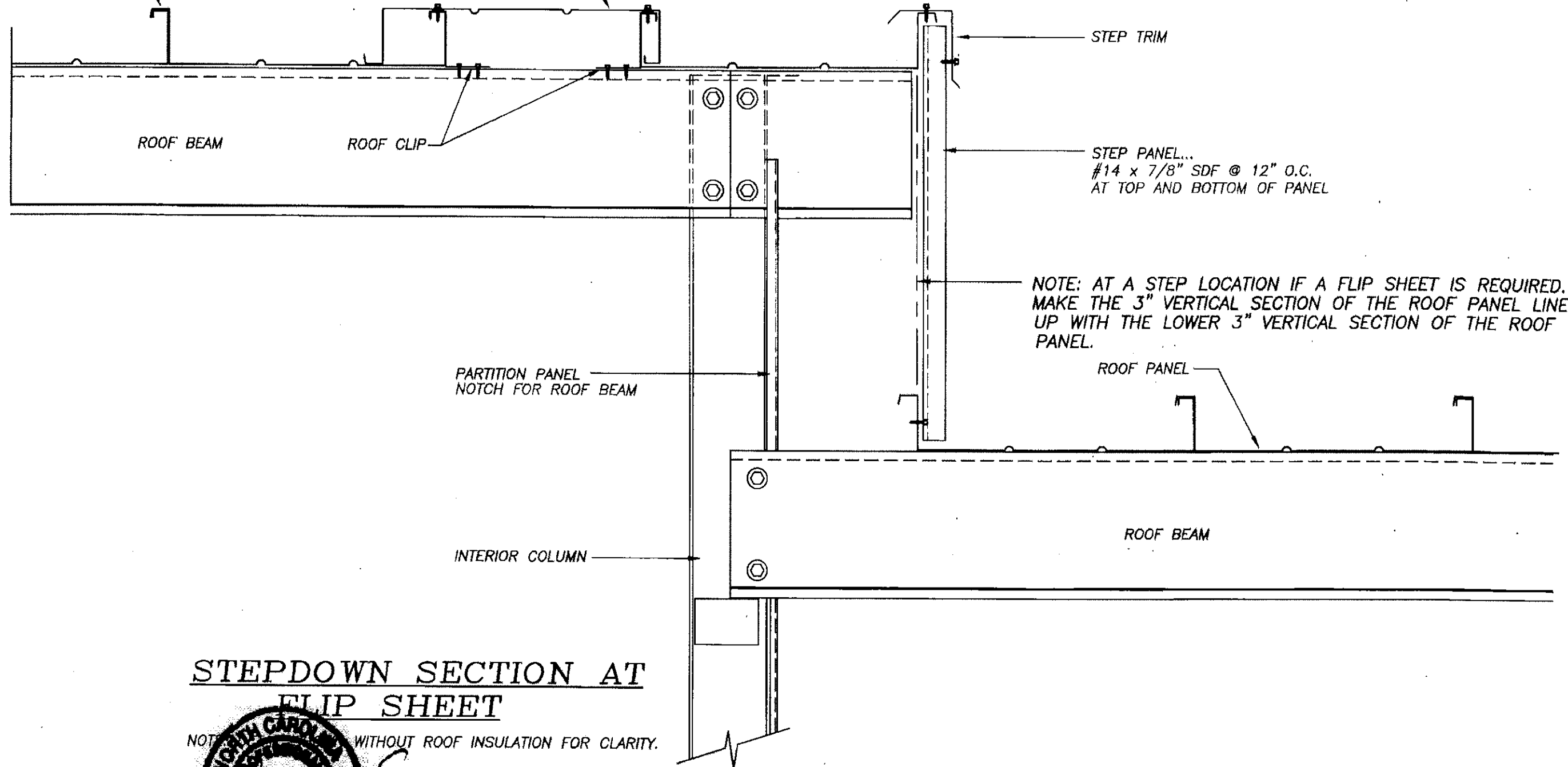
BETCO
 228 COMMERCE BLVD.
 STATESVILLE, NC 28625
 (800)654-7813

SHEET TITLE: Post Channel Details		
DRAWN BY: J Pope	APPROVED BY:	DRAWING NUMBER: ERC712X
SCALE: NTS	DATE: 6-28-94	

ROOF PANEL

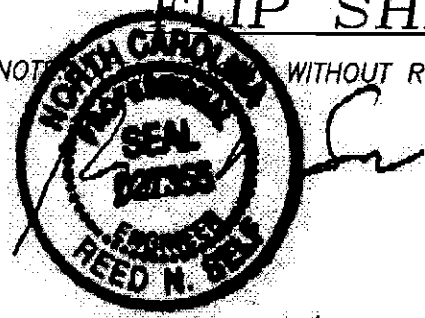
FLIP SHEET

*NOTE: SEE ERC710X AND/OR ERC711X FOR TYPICAL STEP DOWN DETAILS



STEPDOWN SECTION AT FLIP SHEET

NOTE: NORTH CAROLINA WITHOUT ROOF INSULATION FOR CLARITY.



5-26-16

REVISIONS	DATE	BY

BETCO
 228 COMMERCE BLVD.
 STATESVILLE, NC 28625
 (800)654-7813

SHEET TITLE: STEPDOWN SECTION AT ROOF FLIP SHEET		
DRAWN BY: JENKINS	APPROVED BY:	DRAWING NUMBER: ERC713X
SCALE: NTS	DATE: 10-10-01	