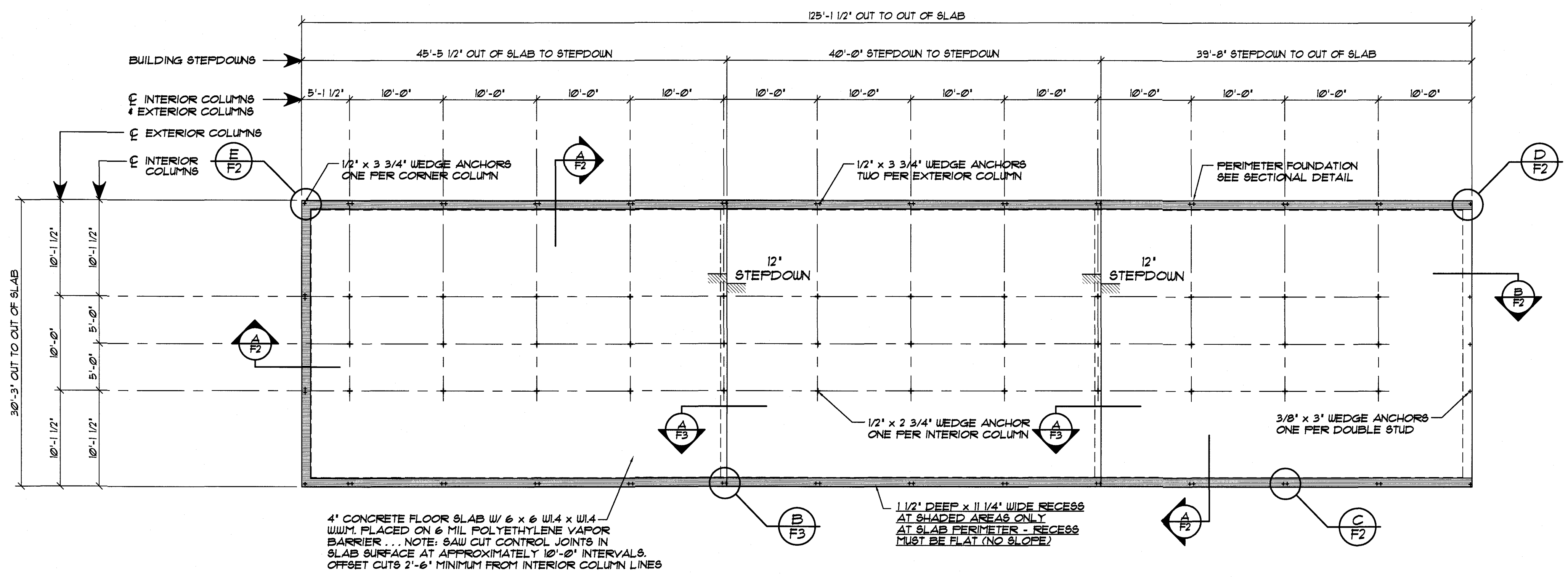
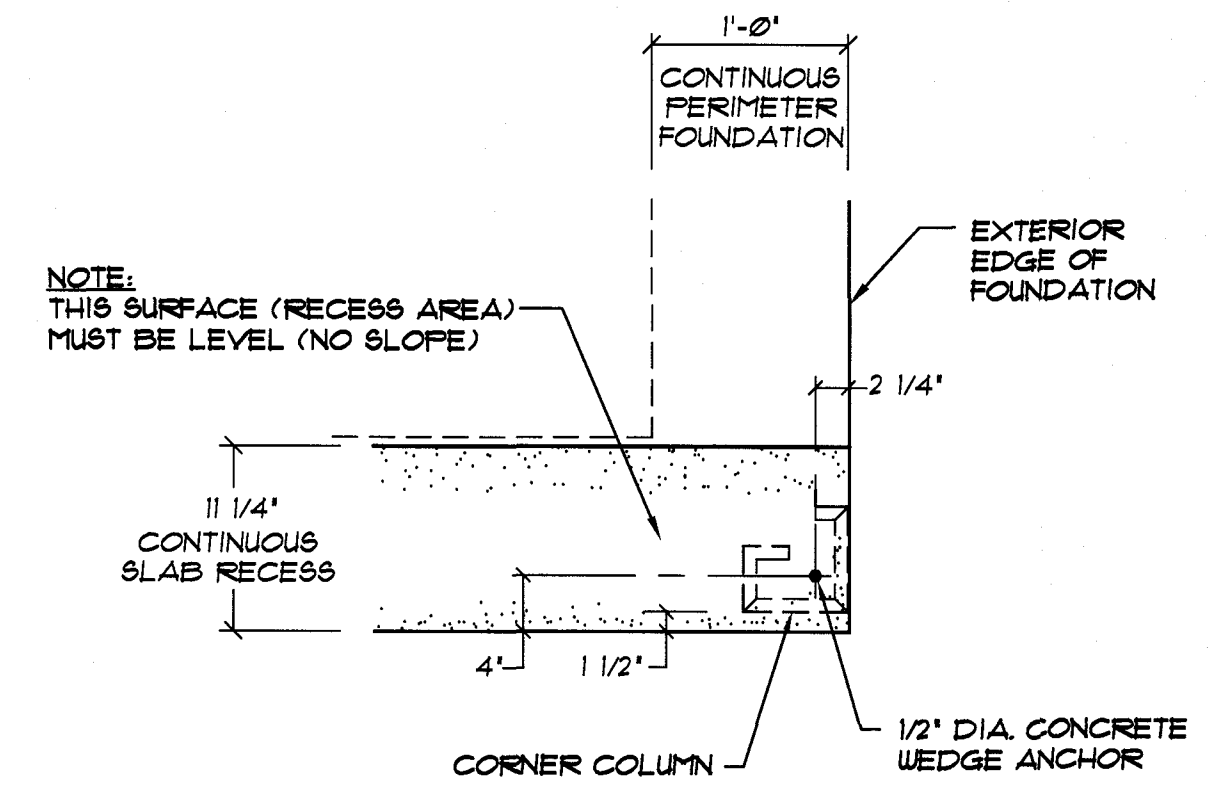


C TYPICAL WALL COLUMN WEDGE ANCHORS
F2
NOT TO SCALE

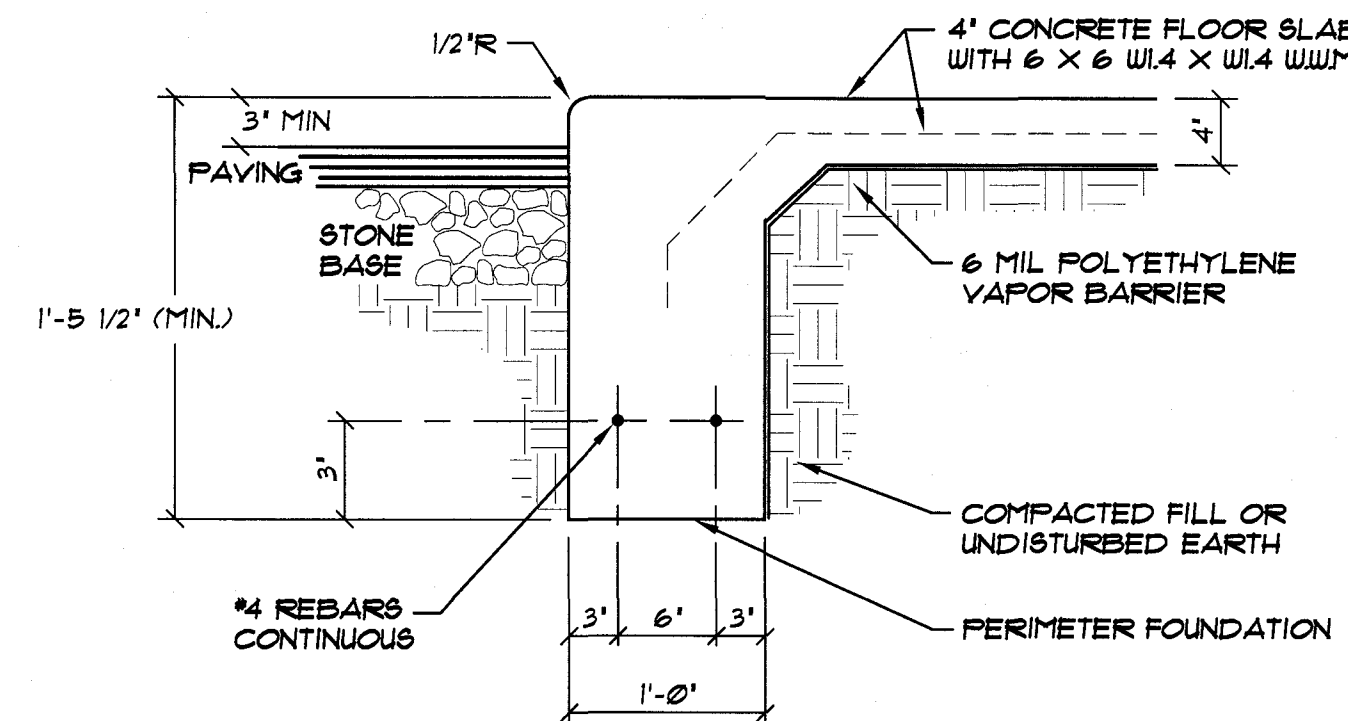


FOUNDATION PLAN... BUILDING "3"
SCALE: 1/8" = 1'-0"

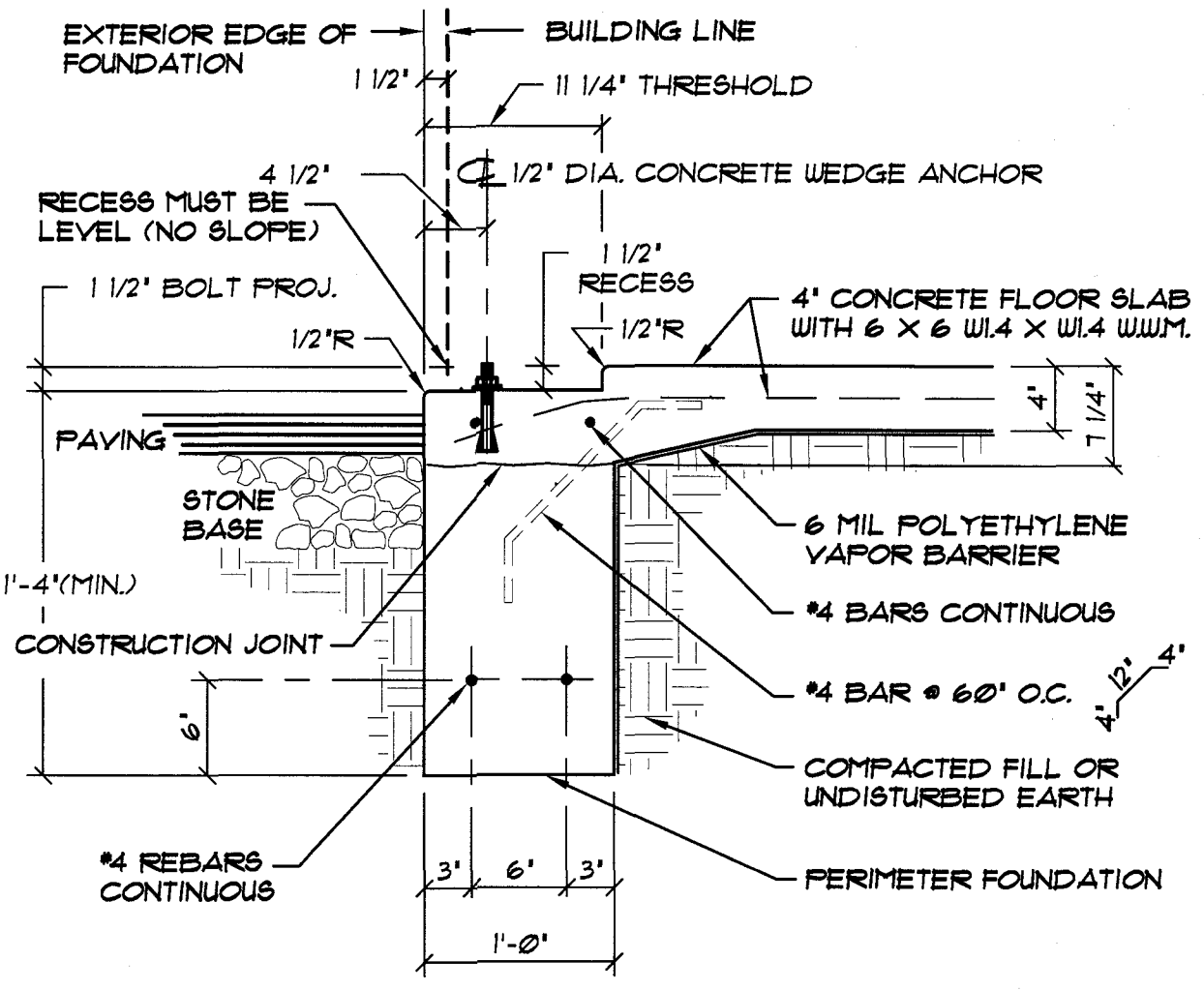
SAW CUT CONTROL JOINTS IN SLAB SURFACE AT APPROXIMATELY 10'-0" INTERVALS... OFFSET CUTS 2'-6" MINIMUM FROM INTERIOR COLUMN LINES.



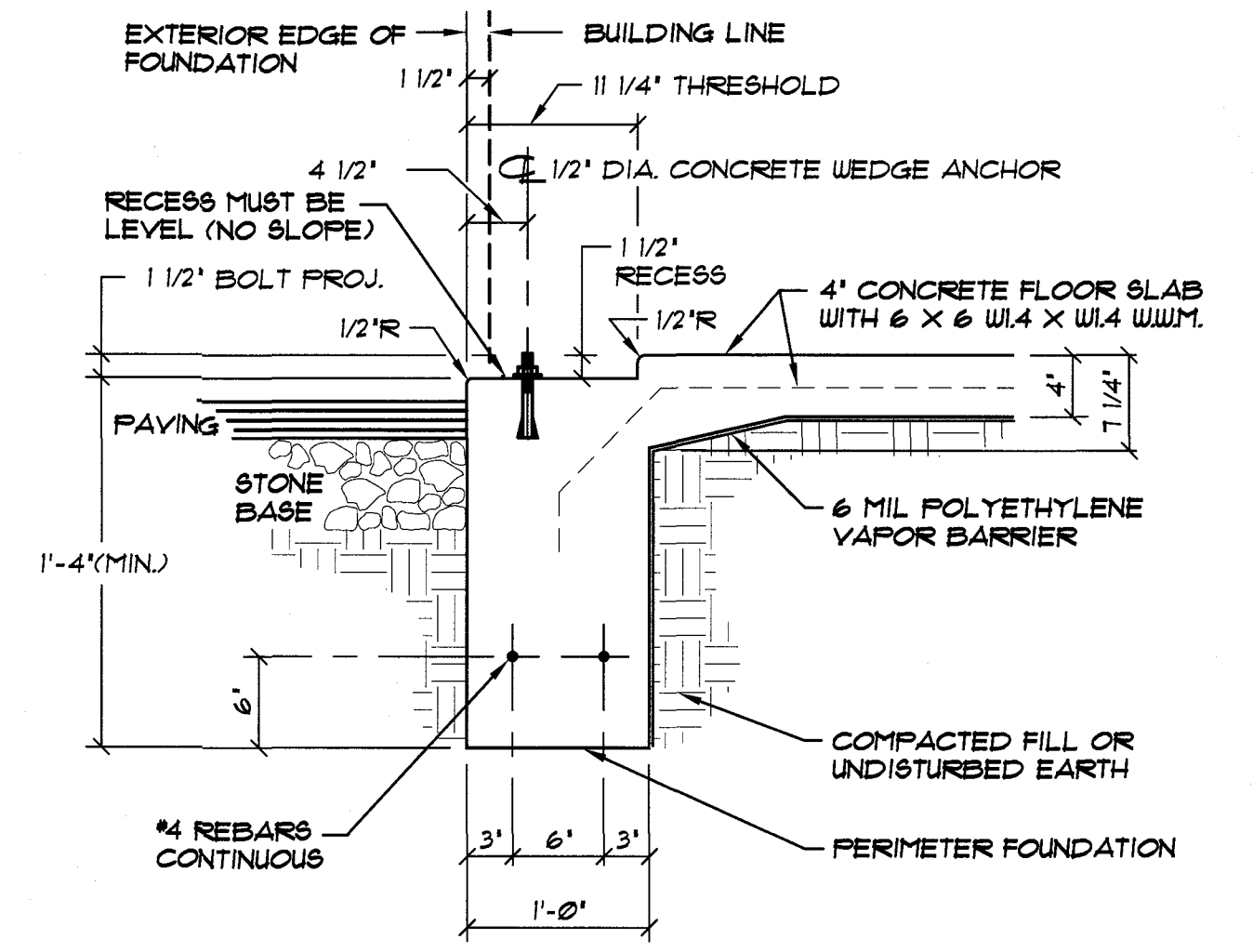
D CORNER WEDGE ANCHORS AT STUD WALL
F2
NOT TO SCALE



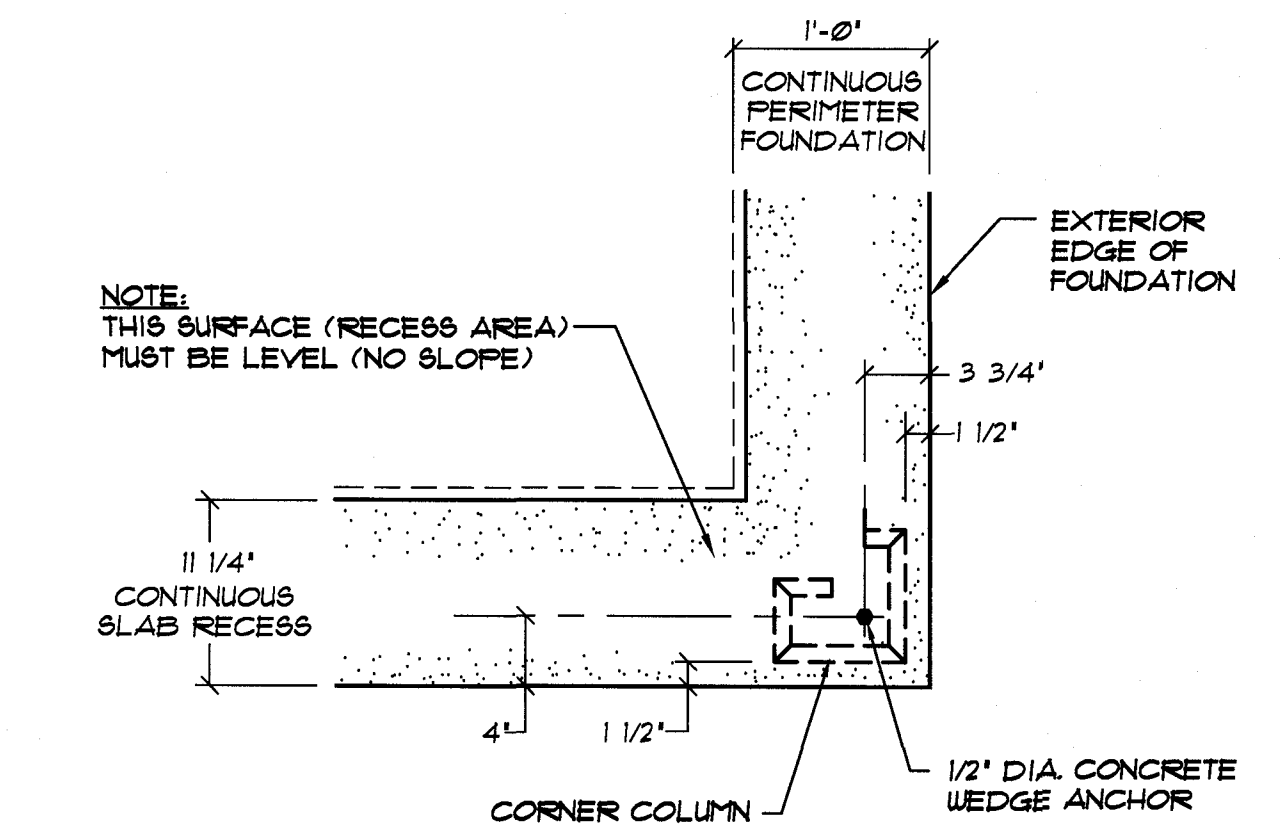
B PERIMETER FOUNDATION SECTION AT EXTERIOR STUDWALL (MONOLITHIC CONCRETE PLACEMENT)
F2
NOT TO SCALE



A ALTERNATE PERIMETER FOUNDATION SECTION (TWO STAGE CONCRETE PLACEMENT)
F2
NOT TO SCALE



A TYPICAL PERIMETER FOUNDATION SECTION (MONOLITHIC CONCRETE PLACEMENT)
F2
NOT TO SCALE

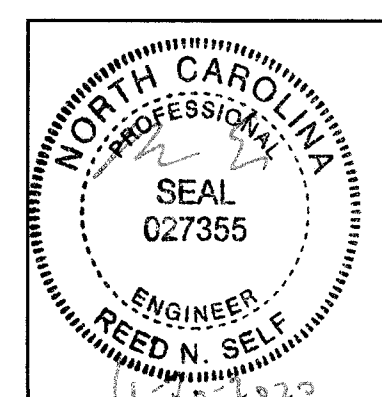


E TYPICAL CORNER WEDGE ANCHORS
F2
NOT TO SCALE

NOTE: WEDGE ANCHORS ARE PROVIDED BY BETCO. EMBEDDED ANCHOR BOLTS IN SLAB ARE NOT REQUIRED BY BUYER.

NOTE: SEE OWNER FOR BUILDING ORIENTATION ON SITE

NOTE TO OWNER / CONTRACTOR:
DO NOT CUT SAW JOINTS ALONG COLUMN LINES. DOING SO WILL REDUCE THE STRUCTURAL CAPACITY OF THE BUILDING ANCHORAGE TO THE CONCRETE AND MAY RESULT IN ADDITIONAL MATERIAL AND LABOR CHARGES. SAW CUTS MUST BE OFFSET 2'-6" MINIMUM FROM COLUMN LINES.



DATE:	11/25/20
DRAWN BY:	K. MACLAY
SCALE:	AS NOTED
APPROVED BY:	
REVISIONS:	
DATE:	
BY:	



BETCO, Inc.
228 Commerce Blvd.
Statesville, NC 28625
Limited Engineering License # D-0140

PROJECT NAME: CONSOLIDATED SELF STORAGE
PROJECT ADDRESS: BENSON, NORTH CAROLINA
OWNER: CONSOLIDATED OF NC
PROJECT NO.: NC20282
SHEET TITLE: FOUNDATION PLAN, DETAILS & NOTES
DRAWING NUMBER: F2 of 3