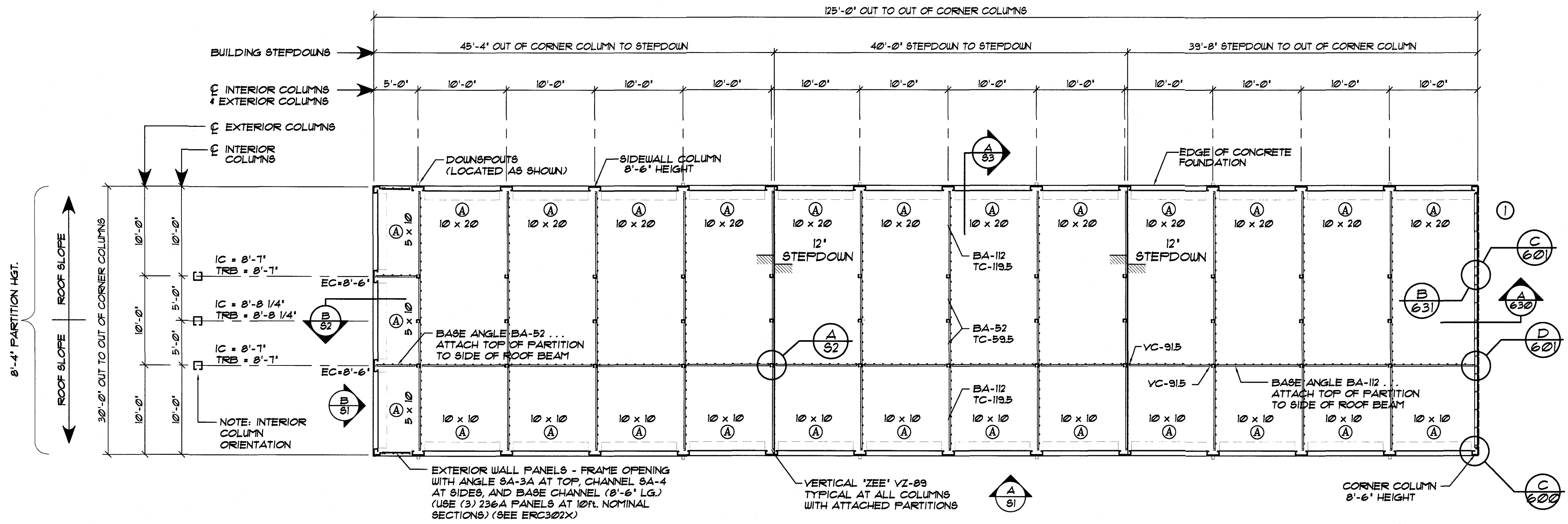


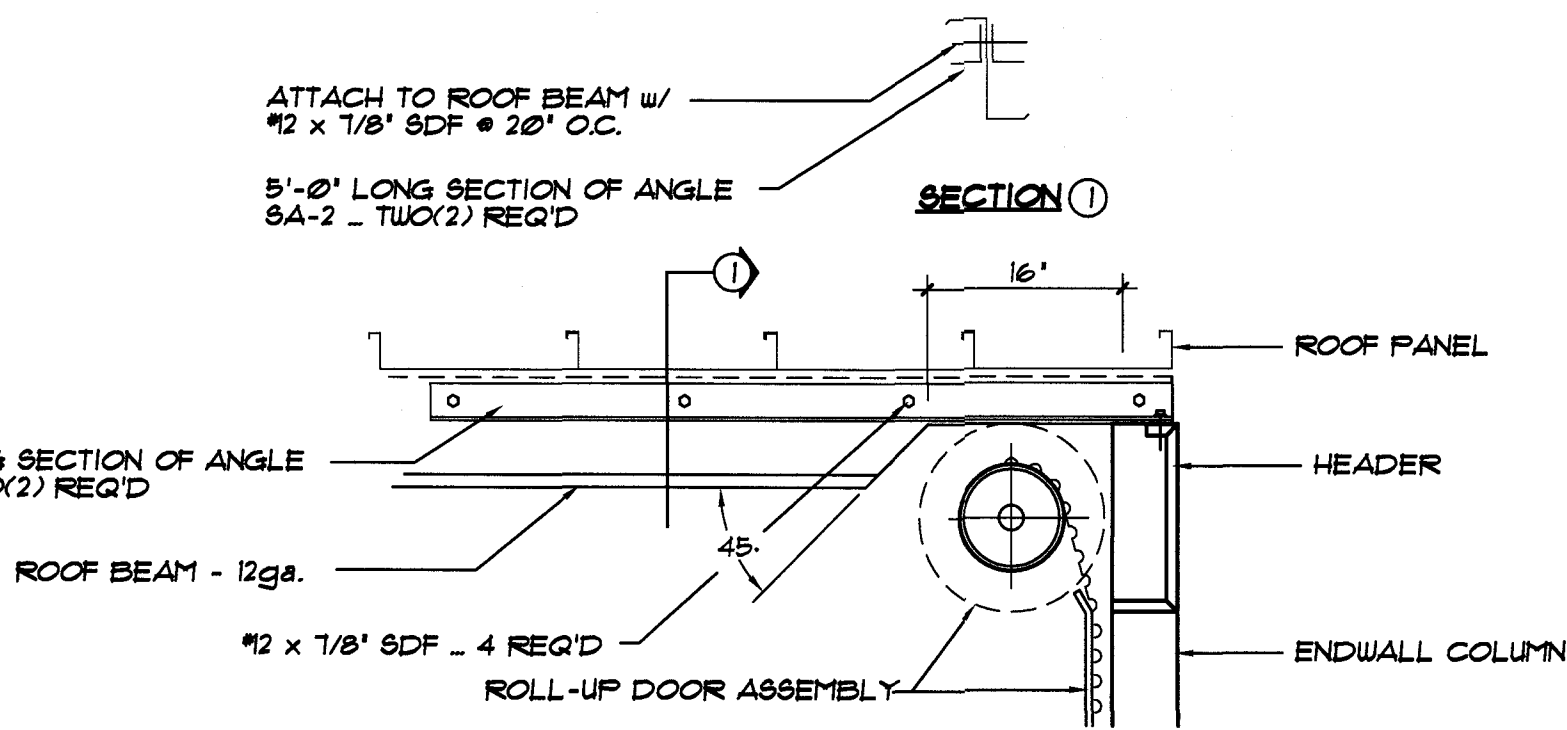
**A**  
S2  
**PARTITION ATTACHMENT @ INTERIOR COLUMNS**  
NOT TO SCALE



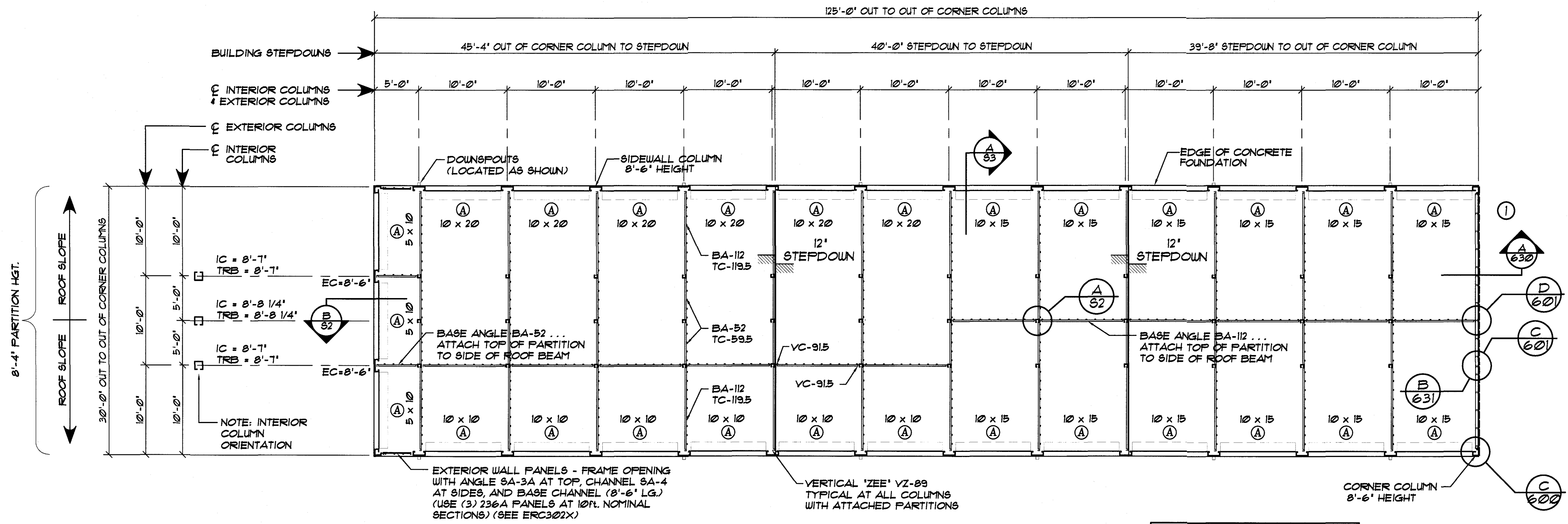
**FLOOR PLAN ... BUILDING #1**  
SCALE: 1/8" = 1'-0"

NOTE: BUILDING #1 IS PROVIDED W/(2) ADJUSTABLE CONTROL JOINT COLUMNS. 8'-6" HEIGHT

IC = INTERIOR COLUMN HEIGHT  
3 5/8" x 3 5/8" x 17ga.  
TRB = TOP OF ROOF BEAM AFF.  
BA = BASE ANGLE  
TC = TOP CHANNEL  
VC = VERTICAL 'ZEE'  
VZ = VERTICAL 'ZEE'



**B**  
S2  
**INSTALLATION OF DOOR AT ROOF BEAM**  
NOTE... NOTCH BEAM & INSTALL ANGLE PRIOR TO ROOF INSTALLATION.  
NOT TO SCALE



**FLOOR PLAN ... BUILDING #2**  
SCALE: 1/8" = 1'-0"

NOTE: BUILDING #2 IS PROVIDED W/(2) ADJUSTABLE CONTROL JOINT COLUMNS. 8'-6" HEIGHT

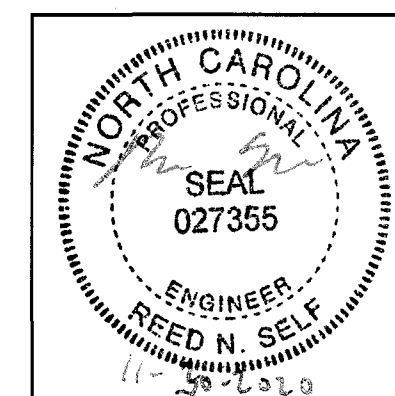
DOOR SCHEDULE		
ID	DOOR SIZE	TYPE
A	8'-8" x 7'-0"	EXTERIOR ROLL-UP

STUDWALL LEGEND		BUILDING # 1
EXTERIOR STUDWALL		
DESCRIPTION	UNINSULATED	
① EXTERIOR STUDWALL CONSTRUCTION AT FLAT SLAB (BLOCK @ MID-HGT.)	30 L.F.	
NOTE #1: SEE BLOCKING DETAIL A/631 ON ERC631X		
NOTE #2: SEE ERC610X FOR COMPLETE STUDWALL CONSTRUCTION DETAILS.		

STUDWALL LEGEND		BUILDING # 2
EXTERIOR STUDWALL		
DESCRIPTION	UNINSULATED	
① EXTERIOR STUDWALL CONSTRUCTION AT FLAT SLAB (BLOCK @ MID-HGT.)	30 L.F.	
NOTE #1: SEE BLOCKING DETAIL A/631 ON ERC631X		
NOTE #2: SEE ERC610X FOR COMPLETE STUDWALL CONSTRUCTION DETAILS.		

NOTE: ... SEE OWNER FOR BUILDING ORIENTATION ON SITE

NOTE:  
UNIT SIZES SHOWN ARE NOMINAL. ACTUAL CLEAR DIMENSIONS INSIDE UNITS MAY VARY ACCORDING TO FINAL DESIGN OF COMPONENTS.



DATE:	11/25/20
DRAWN BY:	K. MACLAY
SCALE:	AS NOTED
APPROVED BY:	
REVISIONS:	
DATE:	
BY:	



BETCO, Inc.  
228 Commerce Blvd.  
Statesville, NC 28625  
Limited Engineering License # D-0140

PROJECT NAME: <b>CONSOLIDATED SELF STORAGE</b>	
PROJECT ADDRESS: BENSON, NORTH CAROLINA	
OWNER: CONSOLIDATED OF NC	PROJECT NO.: NC20262
SHEET TITLE: FLOOR PLANS, DETAILS & NOTES	DRAWING NUMBER: S2 of 3