



STRUCTURAL DESIGN

ENCLOSED BUILDING

**MAXIMUM 30'- 0" WIDE X 16'- 0" HEIGHT-
BOX EAVE FRAME AND BOW FRAME**

18 June 2021

Revision 2

M&A Project No. 19157S/19259S/21115S

Prepared for:

**Southeastern Building Products
714 Warsaw Rd.
Clinton, NC 28328**

Prepared by:

Moore and Associates Engineering and Consulting, Inc.

**1009 East Avenue
North Augusta, SC 29841**

**401 S. Main Street, Suite 200
Mount Airy, NC 27030**



**MOORE AND ASSOCIATES
ENGINEERING AND CONSULTING, INC.**

DRAWN BY: JG

CHECKED BY: PDH

PROJECT MGR: WSM

CLIENT: SOUTHEASTERN

SOUTHEASTERN BUILDING PRODUCTS
714 WARSAW RD.
CLINTON, NC 28328
30'-0"x16'-0" ENCLOSED STRUCTURE

DATE: 6-18-21

SHT. 1

SCALE: NTS

DWG. NO.: SK-3

JOB NO.: 19157S/
19259S/2115S

REV.: 2

THIS DOCUMENT IS THE PROPERTY OF MOORE AND ASSOCIATES ENGINEERING AND CONSULTING. THE UNAUTHORIZED REPRODUCTION, COPYING, OR OTHERWISE USE OF THIS DOCUMENT IS STRICTLY PROHIBITED AND ANY INFRINGEMENT THEREUPON MAY BE SUBJECT TO LEGAL ACTION.

DRAWING INDEX

SHEET 1	PE SEAL COVER SHEET
SHEET 2	DRAWING INDEX
SHEET 3	INSTALLATION NOTES AND SPECIFICATIONS
SHEET 3A	LIST OF APPLICABLE BUILDING CODES
SHEET 4	TYPICAL END AND SIDE ELEVATIONS
SHEET 5	TYPICAL RAFTER/COLUMN END AND SIDE FRAMING SECTION (BOX EAVE RAFTER) (EXPOSURE B)
SHEET 5A	TYPICAL RAFTER/COLUMN END AND SIDE FRAMING SECTION (BOX EAVE RAFTER) (EXPOSURE C)
SHEET 6	COLUMN CONNECTION DETAILS (BOX EAVE STRUCTURE) (EXPOSURE B)
SHEET 6A	COLUMN CONNECTION DETAILS (BOX EAVE STRUCTURE) (EXPOSURE C)
SHEET 7	TYPICAL RAFTER/COLUMN END AND SIDE FRAMING SECTION (BOW RAFTER) (EXPOSURE B)
SHEET 7A	TYPICAL RAFTER/COLUMN END AND SIDE FRAMING SECTION (BOW RAFTER) (EXPOSURE C)
SHEET 8	COLUMN CONNECTION DETAILS (BOW RAFTER STRUCTURE) (EXPOSURE B)
SHEET 8A	COLUMN CONNECTION DETAILS (BOW RAFTER STRUCTURE) (EXPOSURE C)
SHEET 9	BASE RAIL ANCHORAGE OPTIONS
SHEET 10	TYPICAL END WALL AND SIDE WALL FRAMING SECTIONS (BOX EAVE RAFTER)
SHEET 11	TYPICAL END WALL AND SIDE WALL FRAMING SECTIONS (BOW RAFTER)
SHEET 12	CONNECTION DETAILS
SHEET 13	CONNECTION DETAILS
SHEET 14	LEAN-TO OPTIONS (BOX EAVE RAFTER)
SHEET 15	LEAN-TO OPTIONS (BOW RAFTER)
SHEET 16	VERTICAL ROOF/SIDING OPTION END AND SIDE ELEVATION AND SECTION
SHEET 17	HEADER OPTIONS

**MOORE AND ASSOCIATES
ENGINEERING AND CONSULTING, INC.**

DRAWN BY: JG

CHECKED BY: PDH

PROJECT MGR: WSM

CLIENT: SOUTHEASTERN

SOUTHEASTERN BUILDING PRODUCTS
714 WARSAW RD.
CLINTON, NC 28328
30'-0"x16'-0" ENCLOSED STRUCTURE

DATE: 6-18-21

SHT. 2

SCALE: NTS

DWG. NO: SK-3

**JOB NO: 19157S/
19259S/21115S**

REV: 2

THIS DOCUMENT IS THE PROPERTY OF MOORE AND ASSOCIATES ENGINEERING AND CONSULTING. THE UNAUTHORIZED REPRODUCTION, COPYING, OR OTHERWISE USE OF THIS DOCUMENT IS STRICTLY PROHIBITED AND ANY INFRINGEMENT THEREUPON MAY BE SUBJECT TO LEGAL ACTION.

INSTALLATION NOTES AND SPECIFICATIONS

- 1 DESIGN IS FOR MAXIMUM 30'-0" WIDE x 16'-0" EAVE HEIGHT ENCLOSED STRUCTURES.
- 2 DESIGN WAS DONE IN ACCORDANCE WITH ALL APPLICABLE BUILDING CODES LISTED ON SHEET 3A.
- 3 DESIGN LOADS ARE AS FOLLOWS:
 - A) DEAD LOAD = 15 PSF
 - B) LIVE LOAD = 12 PSF
 - C) GROUND SNOW LOAD = 25 PSF
 NOTE: UNBALANCED SNOW LOADS DUE TO DRIFTING HAVE NOT BEEN EVALUATED.
- 4 3-SECOND GUST ULTIMATE WIND SPEED (V_{ULT}) = 105 MPH TO 145 MPH (NOMINAL WIND SPEED = 81 MPH TO 112 MPH);
MAXIMUM RAFTER/POST AND END POST SPACING = 5.0 FEET.
- 5 3-SECOND GUST ULTIMATE WIND SPEED (V_{ULT}) = 146 MPH TO 150 MPH (NOMINAL WIND SPEED = 113 MPH TO 116 MPH);
MAXIMUM RAFTER/POST AND END POST SPACING = 4.0 FEET.
- 6 END WALL COLUMNS (POSTS) ARE EQUIVALENT TO SIDE WALL COLUMNS IN SIZE AND SPACING (UNLESS NOTED OTHERWISE)
- 7 RISK CATEGORY I.
- 8 WIND EXPOSURE CATEGORY B/C.
- 9 SPECIFICATIONS APPLICABLE TO 29 GAUGE METAL PANELS FASTENED DIRECTLY TO 2" x 3" - 14 GAUGE TUBE STEEL (TS) FRAMING MEMBERS (UNLESS NOTED OTHERWISE)
- 10 AVERAGE PANEL FASTENER SPACING ON-CENTERS = 10' O.C (MAX)
- 11 FASTENERS CONSIST OF #12-14x3/4" SELF-DRILLING FASTENER (SDF), USE CONTROL SEAL WASHER WITH EXTERIOR FASTENERS. SPECIFICATIONS APPLICABLE ONLY FOR MEAN ROOF HEIGHT OF 20 FEET OR LESS, AND ROOF SLOPES OF 14° (3:12 PITCH) OR LESS SPACING REQUIREMENTS FOR OTHER ROOF HEIGHTS AND/OR SLOPES MAY VARY
- 12 ANCHORS SHALL BE INSTALLED THROUGH BASE RAIL WITHIN 6" OF EACH RAFTER COLUMN ALONG SIDES
- 13 STANDARD GROUND ANCHORS (SOIL NAILS) CONSIST OF #4 REBAR W/ WELDED NUT x 36" LONG AND MAY ONLY BE USED IN SUITABLE SOIL CONDITIONS. OPTIONAL ANCHORAGE MAY BE USED IN SUITABLE SOILS AND MUST BE USED IN UNSUITABLE SOILS AS NOTED.
- 14 WIND FORCES GOVERN OVER SEISMIC FORCES SEISMIC PARAMETERS ANALYZED ARE:
SOIL SITE CLASS = D
RISK CATEGORY I

R = 325	$I_z = 1.0$
$S_{DS} = 2.039 g$	$V = C_s W$
$S_{D1} = 1.258 g$	

**MOORE AND ASSOCIATES
ENGINEERING AND CONSULTING, INC.**

DRAWN BY: JG

CHECKED BY: PDH

PROJECT MGR: VSM

CLIENT: SOUTHEASTERN

SOUTHEASTERN BUILDING PRODUCTS
714 WARSAW RD.
CLINTON, NC 28328
30'-0"x16'-0" ENCLOSED STRUCTURE

DATE: 6-18-21

SHT. 3

SCALE: NTS

DWG. NO: SK-3

**JOB NO: 19157S/
19259S/21115S**

REV: 2

THIS DOCUMENT IS THE PROPERTY OF MOORE AND ASSOCIATES ENGINEERING AND CONSULTING. THE UNAUTHORIZED REPRODUCTION, COPYING, OR OTHERWISE USE OF THIS DOCUMENT IS STRICTLY PROHIBITED AND ANY INFRINGEMENT THEREUPON MAY BE SUBJECT TO LEGAL ACTION.

LIST OF APPLICABLE BUILDING CODES

2018 INTERNATIONAL BUILDING CODE (IBC 2018)

2015 INTERNATIONAL BUILDING CODE (IBC 2015)

2012 INTERNATIONAL BUILDING CODE (IBC 2012)

BUILDING CODE 2015 OF ALABAMA
(ADOPTS THE IBC 2015 WITH AMENDMENTS)

GEORGIA STATE MINIMUM STANDARD BUILDING CODE
(ADOPTS THE IBC 2018 WITH AMENDMENTS)

2018 KENTUCKY BUILDING CODE
(ADOPTS THE IBC 2015 WITH AMENDMENTS)

MISSISSIPPI BUILDING CODE
(IBC 2018)

2018 NORTH CAROLINA BUILDING CODE
(ADOPTS THE IBC 2015 WITH AMENDMENTS)

2018 SOUTH CAROLINA BUILDING CODE
(ADOPTS THE IBC 2012 WITH AMENDMENTS)

BUILDING CODE 2012 OF TENNESSEE
(ADOPTS THE IBC 2012 WITH AMENDMENTS)

**MOORE AND ASSOCIATES
ENGINEERING AND CONSULTING, INC.**

DRAWN BY: JG

CHECKED BY: PDH

PROJECT MGR: WSM

CLIENT: SOUTHEASTERN

SOUTHEASTERN BUILDING PRODUCTS
714 WARSAW RD.
CLINTON, NC 28328
30'-0"x16'-0" ENCLOSED STRUCTURE

DATE: 6-18-21

SHT. 3A

SCALE: NTS

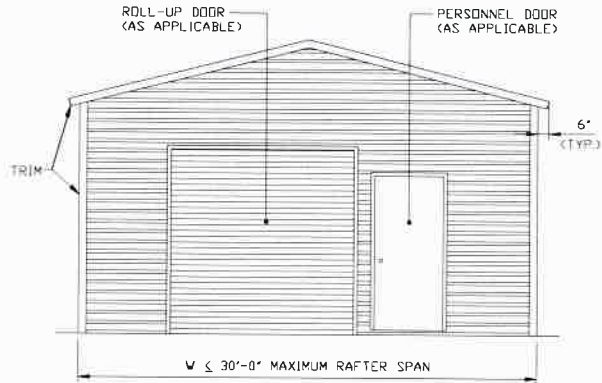
DWG. NO: SK-3

**JOB NO: 19157S/
19259S/2111SS**

REV: 2

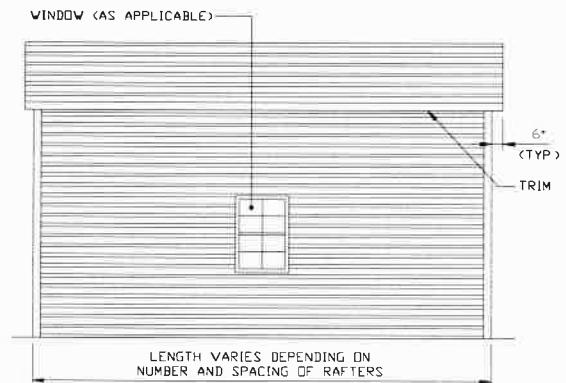
THIS DOCUMENT IS THE PROPERTY OF MOORE AND ASSOCIATES ENGINEERING AND CONSULTING. THE UNAUTHORIZED REPRODUCTION, COPYING, OR OTHERWISE USE OF THIS DOCUMENT IS STRICTLY PROHIBITED AND ANY INFRINGEMENT THEREUPON MAY BE SUBJECT TO LEGAL ACTION.

BOX EAVE FRAME RAFTER STRUCTURE



TYPICAL END ELEVATION

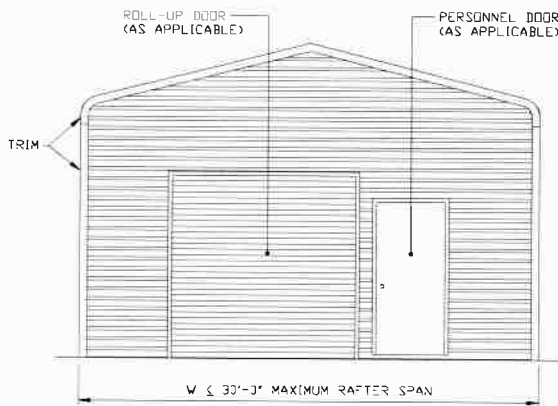
SCALE: NTS



TYPICAL SIDE ELEVATION

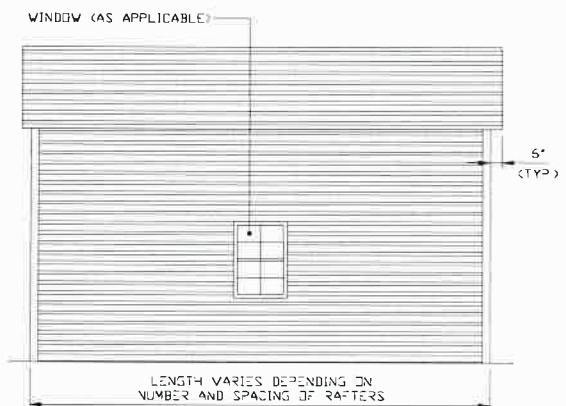
SCALE: NTS

BOW FRAME RAFTER STRUCTURE



TYPICAL END ELEVATION

SCALE: NTS



TYPICAL SIDE ELEVATION

SCALE: NTS

**MOORE AND ASSOCIATES
ENGINEERING AND CONSULTING, INC.**

DRAWN BY: JG

CHECKED BY: PDH

PROJECT MGR: WSM

CLIENT: SOUTHEASTERN

**SOUTHEASTERN BUILDING PRODUCTS
714 WARSAW RD.
CLINTON, NC 28328
30'-0"x16'-0" ENCLOSED STRUCTURE**

DATE: 6-18-21

SHT. 4

SCALE: NTS

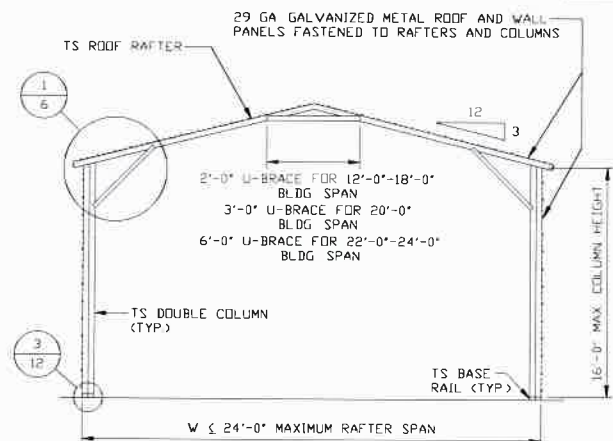
DWG. NO: SK-3

**JOB NO: 19157S/
19259S/21115S**

REV: 2

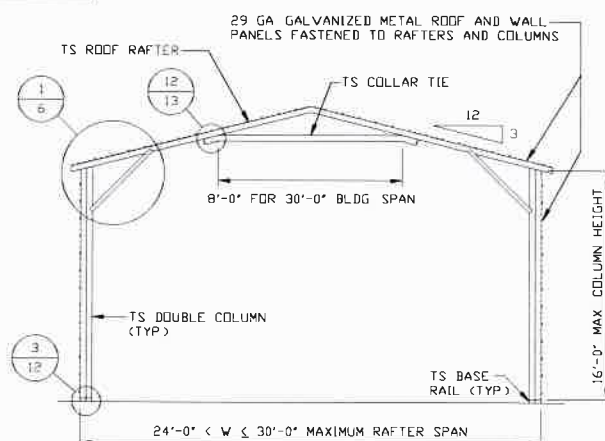
THIS DOCUMENT IS THE PROPERTY OF MOORE AND ASSOCIATES ENGINEERING AND CONSULTING. THE UNAUTHORIZED REPRODUCTION, COPYING, OR OTHERWISE USE OF THIS DOCUMENT IS STRICTLY PROHIBITED AND ANY INFRINGEMENT THEREUPON MAY BE SUBJECT TO LEGAL ACTION.

EXPOSURE B



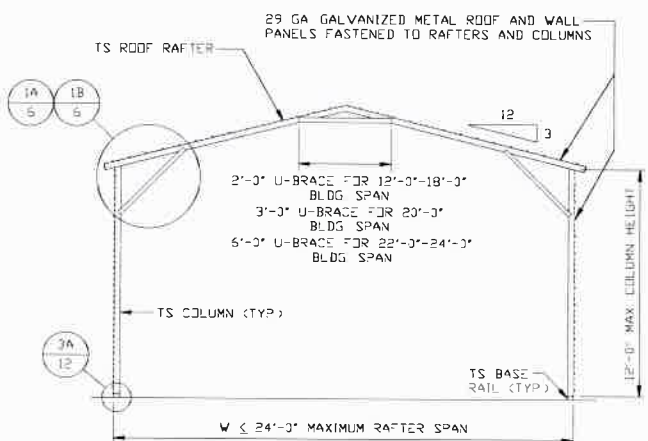
TYPICAL RAFTER/COLUMN END FRAME SECTION

SCALE: NTS



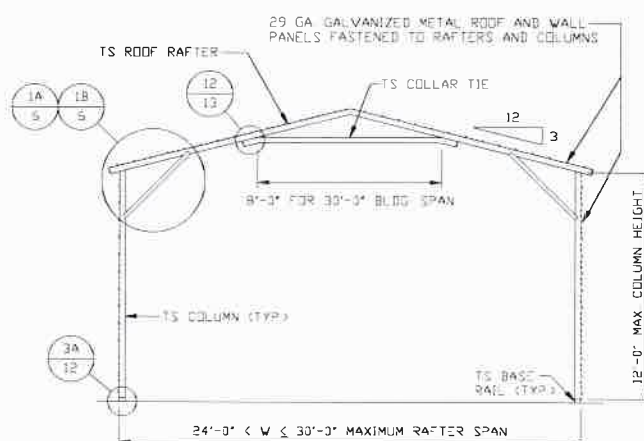
TYPICAL RAFTER/COLUMN END FRAME SECTION

SCALE: NTS



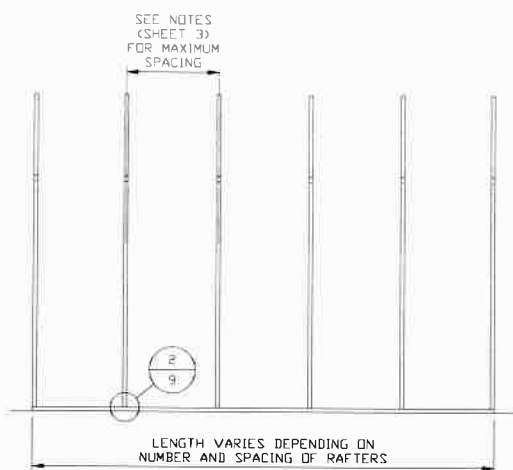
TYPICAL RAFTER/COLUMN END FRAME SECTION

SCALE: NTS



TYPICAL RAFTER/COLUMN END FRAME SECTION

SCALE: NTS



TYPICAL RAFTER/COLUMN SIDE FRAMING SECTION

SCALE: NTS

**MOORE AND ASSOCIATES
ENGINEERING AND CONSULTING, INC.**

DRAWN BY: JG

CHECKED BY: PDH

PROJECT MGR: WSM

CLIENT: SOUTHEASTERN

**SOUTHEASTERN BUILDING PRODUCTS
714 WARSAW RD.
CLINTON, NC 28328
30'-0" x 16'-0" ENCLOSED STRUCTURE**

DATE: 6-18-21

SHT. 5

SCALE: NTS

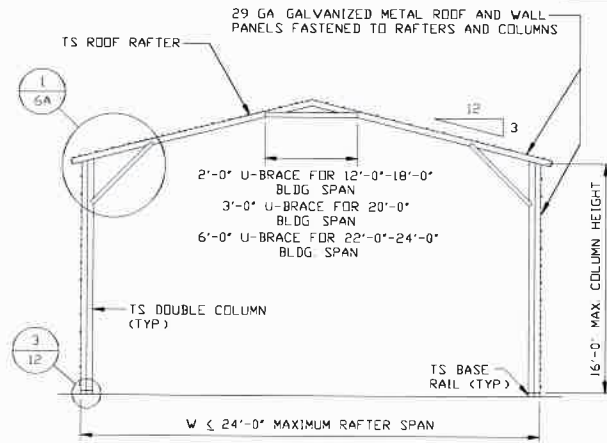
DWG. NO: SK-3

**JOB NO: 19157S/
19259S/21115S**

REV: 2

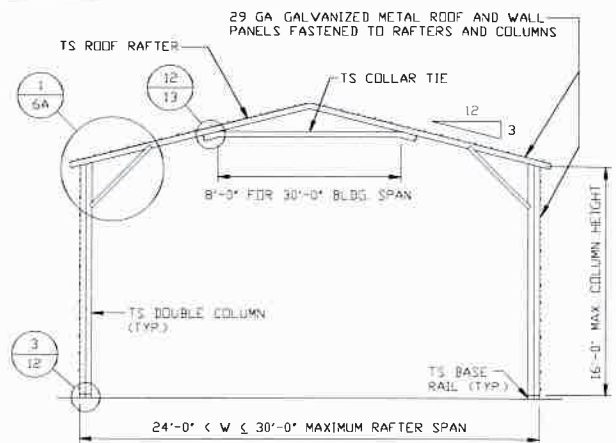
THIS DOCUMENT IS THE PROPERTY OF MOORE AND ASSOCIATES ENGINEERING AND CONSULTING. THE UNAUTHORIZED REPRODUCTION, COPYING, OR OTHERWISE USE OF THIS DOCUMENT IS STRICTLY PROHIBITED AND ANY INFRINGEMENT THEREUPON MAY BE SUBJECT TO LEGAL ACTION.

EXPOSURE C



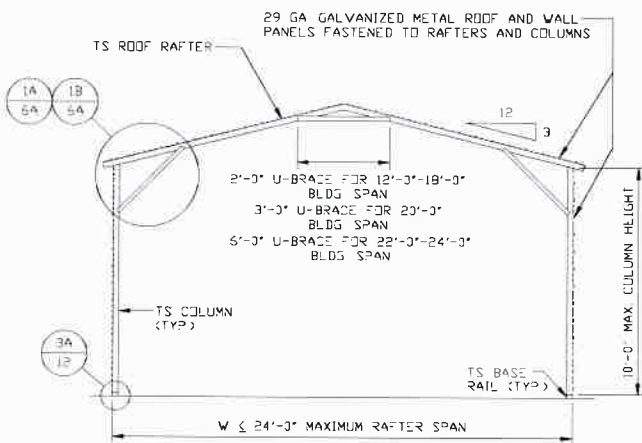
TYPICAL RAFTER/COLUMN END FRAME SECTION

SCALE: NTS



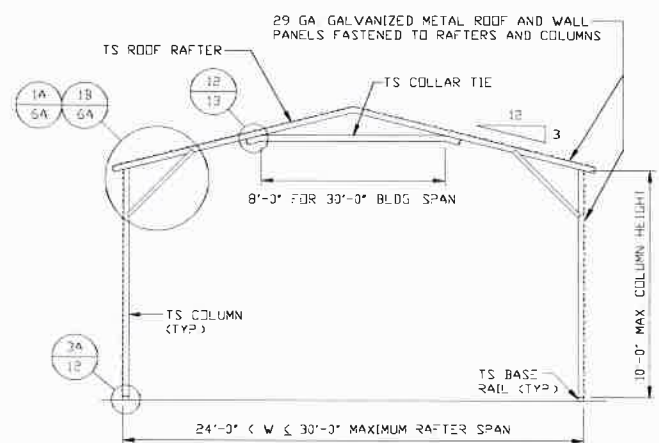
TYPICAL RAFTER/COLUMN END FRAME SECTION

SCALE: NTS



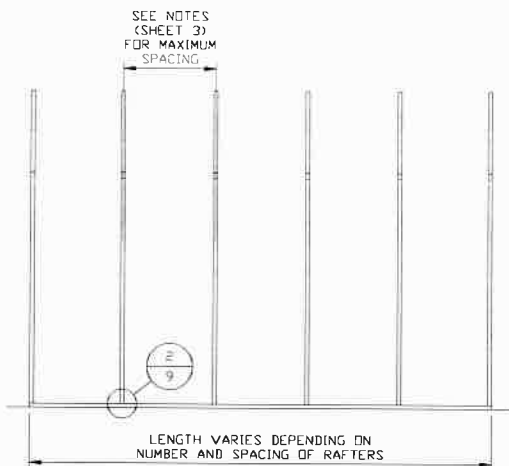
TYPICAL RAFTER/COLUMN END FRAME SECTION

SCALE: NTS



TYPICAL RAFTER/COLUMN END FRAME SECTION

SCALE: NTS



TYPICAL RAFTER/COLUMN SIDE FRAMING SECTION

SCALE: NTS

**MOORE AND ASSOCIATES
ENGINEERING AND CONSULTING, INC.**

DRAWN BY: JG

CHECKED BY: PDH

PROJECT MGR: WSM

CLIENT: SOUTHEASTERN

SOUTHEASTERN BUILDING PRODUCTS
714 WARSAW RD.
CLINTON, NC 28328
30'-0"x16'-0" ENCLOSED STRUCTURE

DATE: 6-18-21

SHT. 5A

SCALE: NTS

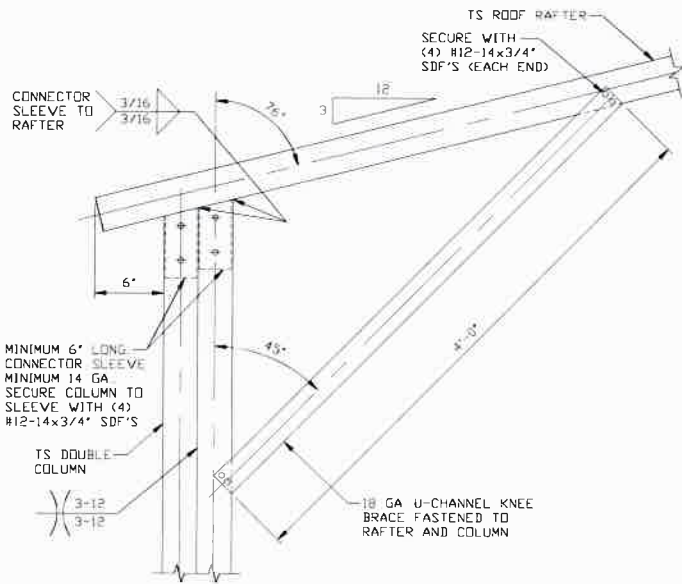
DWG. NO: SK-3

JOB NO: 19157S/
19259S/21115S

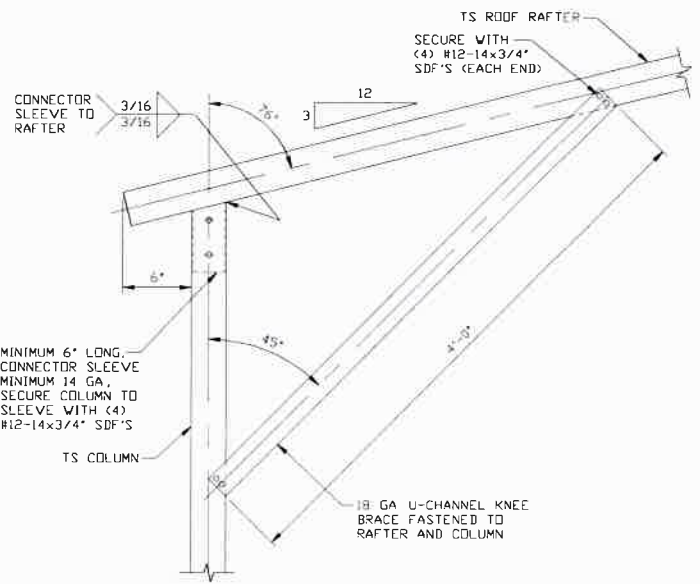
REV: 2

THIS DOCUMENT IS THE PROPERTY OF MOORE AND ASSOCIATES ENGINEERING AND CONSULTING. THE UNAUTHORIZED REPRODUCTION, COPYING, OR OTHERWISE USE OF THIS DOCUMENT IS STRICTLY PROHIBITED AND ANY INFRINGEMENT THEREUPON MAY BE SUBJECT TO LEGAL ACTION.

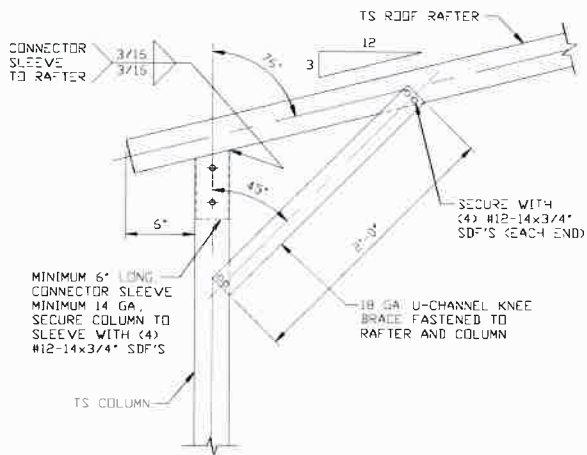
EXPOSURE B



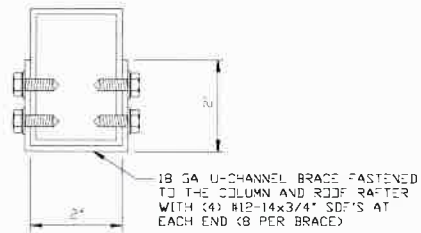
1
BOX EAVE RAFTER COLUMN CONNECTION DETAIL FOR HEIGHTS 12'-0" < TO ≤ 16'-0"
 SCALE: NTS



1A
BOX EAVE RAFTER COLUMN CONNECTION DETAIL FOR HEIGHTS 11'-0" < TO ≤ 12'-0"
 SCALE: NTS



1B
BOX EAVE RAFTER COLUMN CONNECTION DETAIL FOR HEIGHTS ≤ 11'-0"
 SCALE: NTS



BRACE SECTION
 SCALE: NTS

**MOORE AND ASSOCIATES
 ENGINEERING AND CONSULTING, INC.**

DRAWN BY: JG

CHECKED BY: PDH

PROJECT MGR: VSM

CLIENT: SOUTHEASTERN

**SOUTHEASTERN BUILDING PRODUCTS
 714 WARSAW RD.
 CLINTON, NC 28328
 30'-0" x 16'-0" ENCLOSED STRUCTURE**

DATE: 6-18-21

SHT. 6

SCALE: NTS

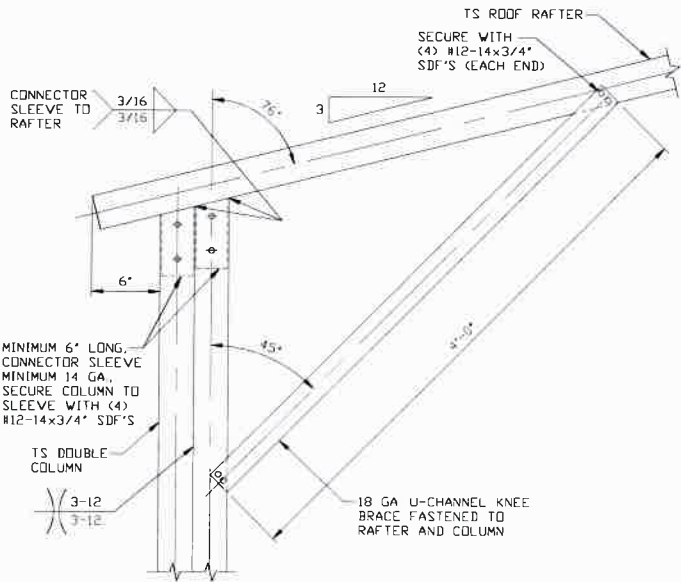
DWG. NO: SK-3

**JOB NO: 19157S/
 19259S/21115S**

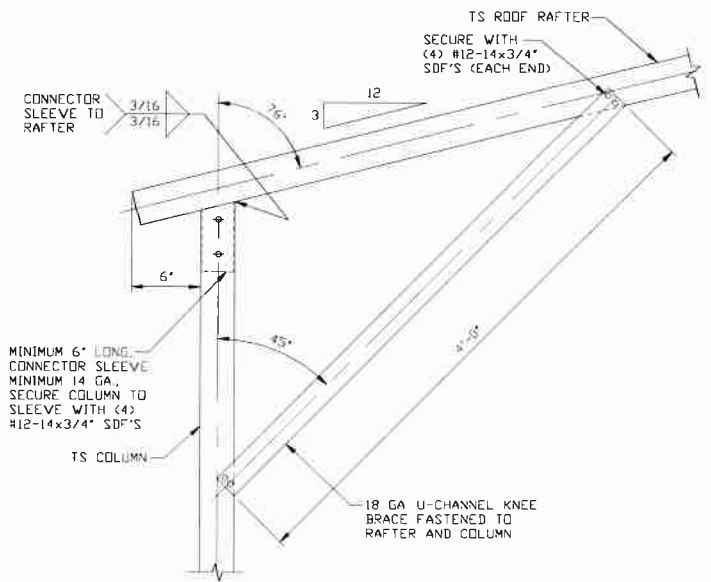
REV: 2

THIS DOCUMENT IS THE PROPERTY OF MOORE AND ASSOCIATES ENGINEERING AND CONSULTING. THE UNAUTHORIZED REPRODUCTION, COPYING, OR OTHERWISE USE OF THIS DOCUMENT IS STRICTLY PROHIBITED AND ANY INFRINGEMENT THEREUPON MAY BE SUBJECT TO LEGAL ACTION.

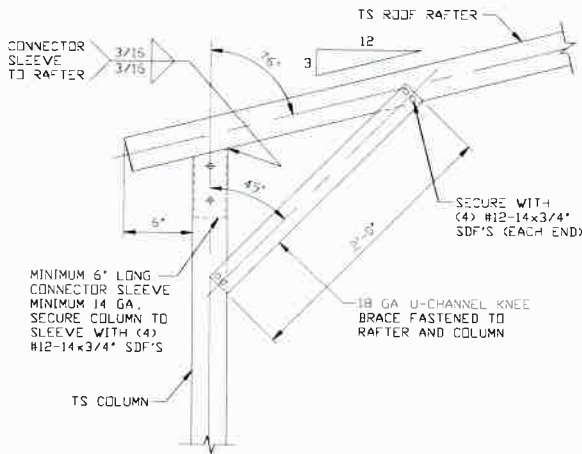
EXPOSURE C



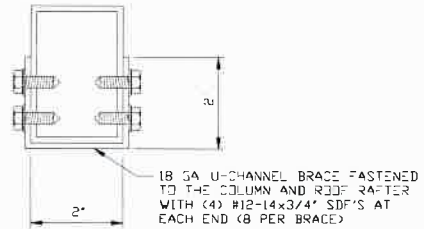
1
BOX EAVE RAFTER COLUMN CONNECTION DETAIL FOR HEIGHTS 10'-0" < TO <= 16'-0"
 SCALE: NTS



1A
BOX EAVE RAFTER COLUMN CONNECTION DETAIL FOR HEIGHTS 9'-0" < TO <= 10'-0"
 SCALE: NTS



1B
BOX EAVE RAFTER COLUMN CONNECTION DETAIL FOR HEIGHTS <= 9'-0"
 SCALE: NTS



BRACE SECTION
 SCALE: NTS

**MOORE AND ASSOCIATES
 ENGINEERING AND CONSULTING, INC.**

DRAWN BY: JG

CHECKED BY: PDH

PROJECT MGR: WSM

CLIENT: SOUTHEASTERN

**SOUTHEASTERN BUILDING PRODUCTS
 714 WARSAW RD.
 CLINTON, NC 28328
 30'-0" x 16'-0" ENCLOSED STRUCTURE**

DATE: 6-18-21

SHT. 6A

SCALE: NTS

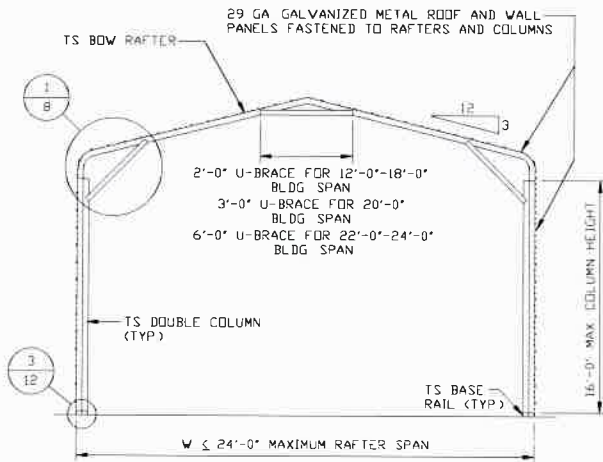
DWG. NO: SK-3

**JOB NO: 19157S/
 19259S/21115S**

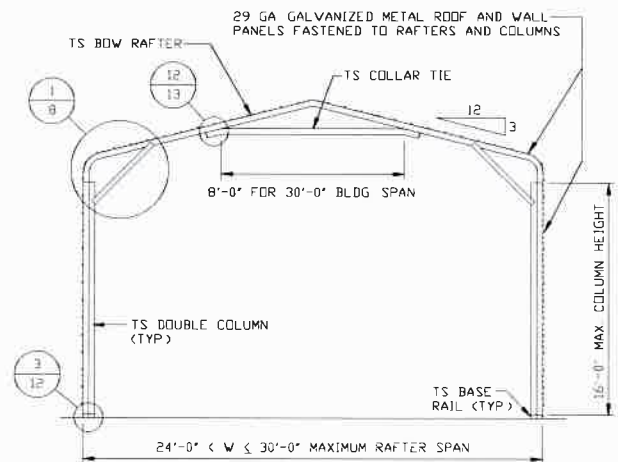
REV: 2

THIS DOCUMENT IS THE PROPERTY OF MOORE AND ASSOCIATES ENGINEERING AND CONSULTING. THE UNAUTHORIZED REPRODUCTION, COPYING, OR OTHERWISE USE OF THIS DOCUMENT IS STRICTLY PROHIBITED AND ANY INFRINGEMENT THEREUPON MAY BE SUBJECT TO LEGAL ACTION.

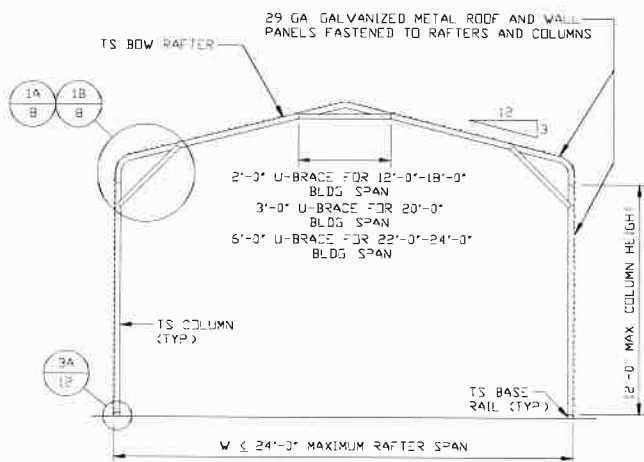
EXPOSURE B



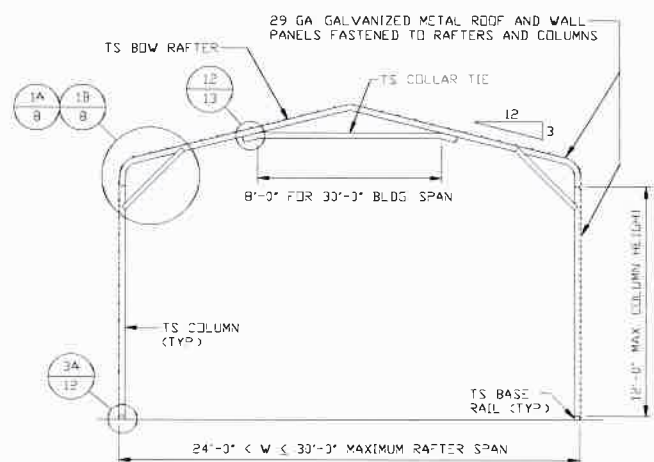
TYPICAL RAFTER/COLUMN END FRAME SECTION
SCALE: NTS



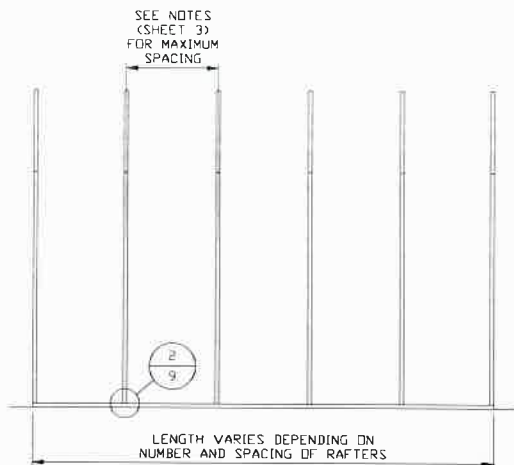
TYPICAL RAFTER/COLUMN END FRAME SECTION
SCALE: NTS



TYPICAL RAFTER/COLUMN END FRAME SECTION
SCALE: NTS



TYPICAL RAFTER/COLUMN END FRAME SECTION
SCALE: NTS



TYPICAL RAFTER/COLUMN SIDE FRAMING SECTION
SCALE: NTS

**MOORE AND ASSOCIATES
ENGINEERING AND CONSULTING, INC.**

DRAWN BY: JG

CHECKED BY: PDH

PROJECT MGR: VSM

CLIENT: SOUTHEASTERN

SOUTHEASTERN BUILDING PRODUCTS
714 WARSAW RD.
CLINTON, NC 28328
30'-0" x 16'-0" ENCLOSED STRUCTURE

DATE: 6-18-21

SHT. 7

SCALE: NTS

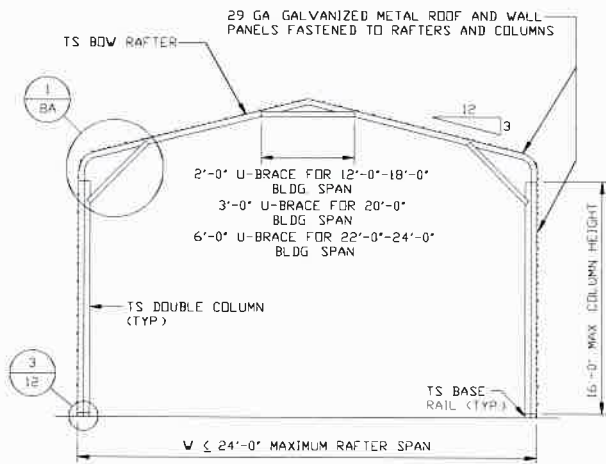
DWG. NO: SK-3

**JOB NO: 19157S/
19259S/21115S**

REV: 2

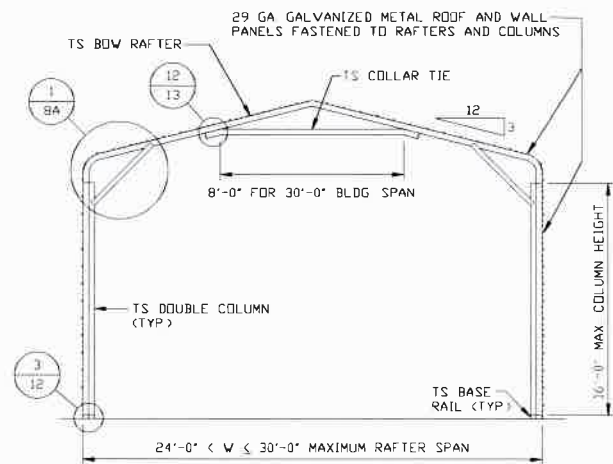
THIS DOCUMENT IS THE PROPERTY OF MOORE AND ASSOCIATES ENGINEERING AND CONSULTING. THE UNAUTHORIZED REPRODUCTION, COPYING, OR OTHERWISE USE OF THIS DOCUMENT IS STRICTLY PROHIBITED AND ANY INFRINGEMENT THEREUPON MAY BE SUBJECT TO LEGAL ACTION.

EXPOSURE C



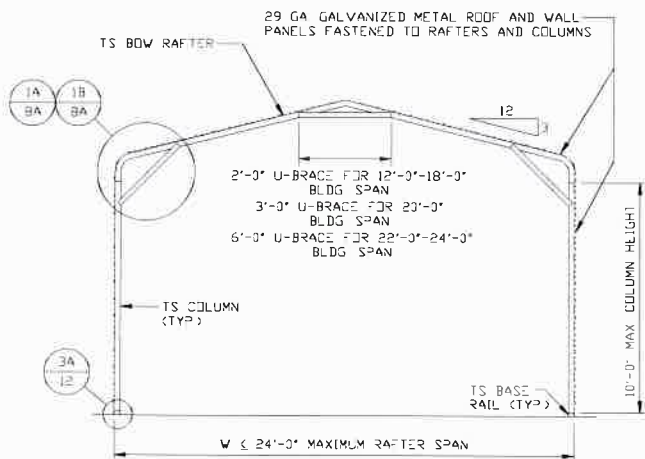
TYPICAL RAFTER/COLUMN END FRAME SECTION

SCALE: NTS



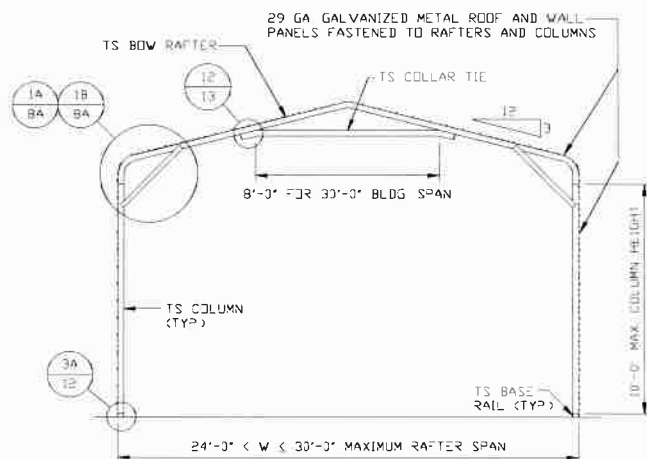
TYPICAL RAFTER/COLUMN END FRAME SECTION

SCALE: NTS



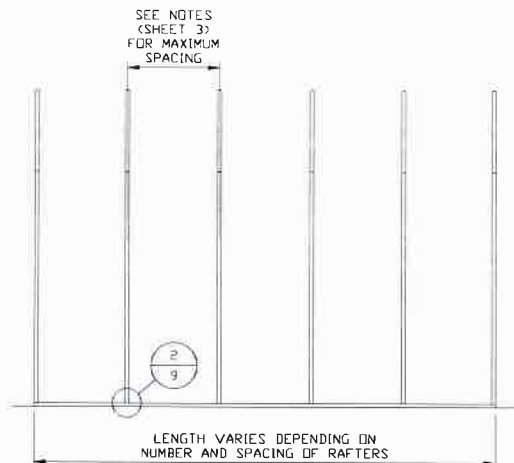
TYPICAL RAFTER/COLUMN END FRAME SECTION

SCALE: NTS



TYPICAL RAFTER/COLUMN END FRAME SECTION

SCALE: NTS



TYPICAL RAFTER/COLUMN SIDE FRAMING SECTION

SCALE: NTS

**MOORE AND ASSOCIATES
ENGINEERING AND CONSULTING, INC.**

DRAWN BY: JG

CHECKED BY: PDH

PROJECT MGR: WSM

CLIENT: SOUTHEASTERN

SOUTHEASTERN BUILDING PRODUCTS
714 WARSAW RD.
CLINTON, NC 28328
30'-0" x 16'-0" ENCLOSED STRUCTURE

DATE: 6-18-21

SCALE: NTS

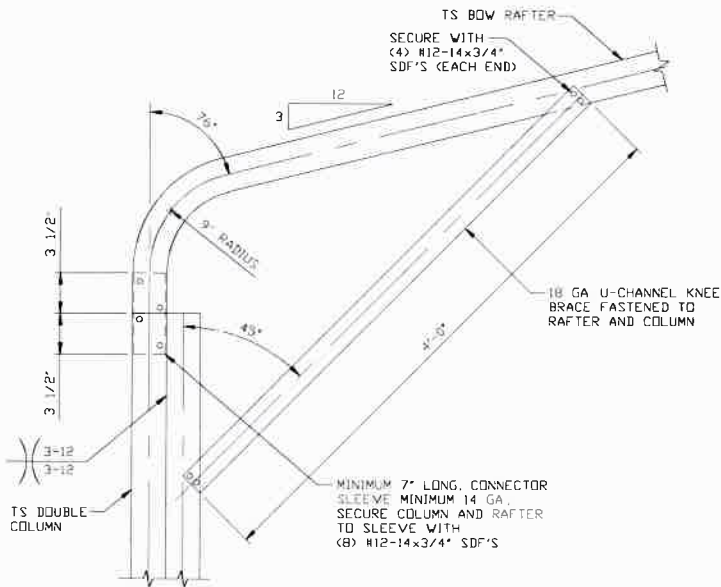
DWG. NO: SK-3

JOB NO: 19157S/
19259S/2111SS

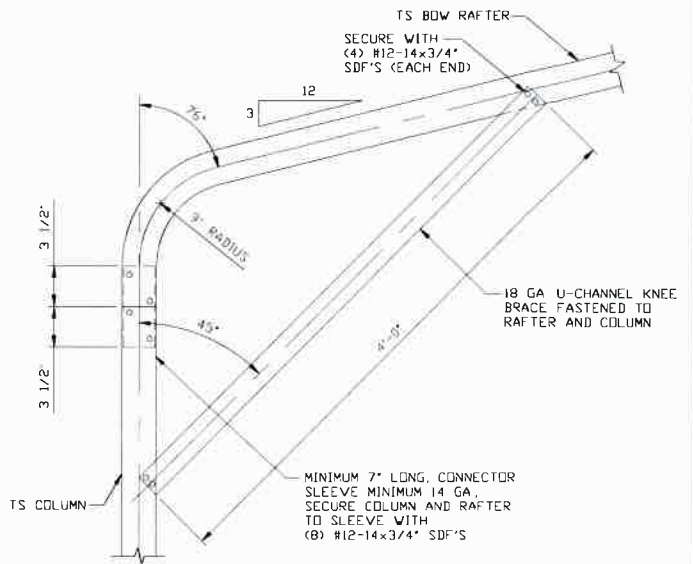
REV: 2

THIS DOCUMENT IS THE PROPERTY OF MOORE AND ASSOCIATES ENGINEERING AND CONSULTING. THE UNAUTHORIZED REPRODUCTION, COPYING, OR OTHERWISE USE OF THIS DOCUMENT IS STRICTLY PROHIBITED AND ANY INFRINGEMENT THEREUPON MAY BE SUBJECT TO LEGAL ACTION.

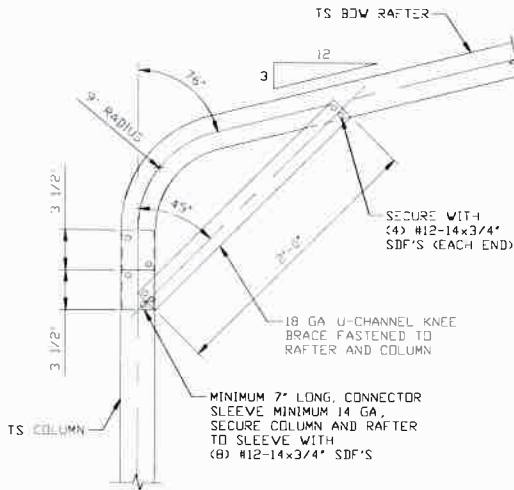
EXPOSURE B



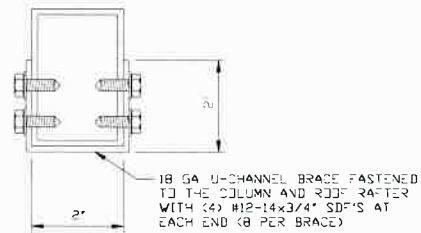
1
BOW EAVE RAFTER COLUMN CONNECTION DETAIL FOR HEIGHTS 12'-0" < TO ≤ 16'-0"
 SCALE: NTS



1A
BOW EAVE RAFTER COLUMN CONNECTION DETAIL FOR HEIGHTS 11'-0" < TO ≤ 12'-0"
 SCALE: NTS



1B
BOW EAVE RAFTER COLUMN CONNECTION DETAIL FOR HEIGHTS ≤ 11'-0"
 SCALE: NTS



BRACE SECTION
 SCALE: NTS

**MOORE AND ASSOCIATES
 ENGINEERING AND CONSULTING, INC.**

DRAWN BY: JG

CHECKED BY: PDH

PROJECT MGR: WSM

CLIENT: SOUTHEASTERN

**SOUTHEASTERN BUILDING PRODUCTS
 714 WARSAW RD.
 CLINTON, NC 28328
 30'-0" x 16'-0" ENCLOSED STRUCTURE**

DATE: 6-18-21

SHT. 8

SCALE: NTS

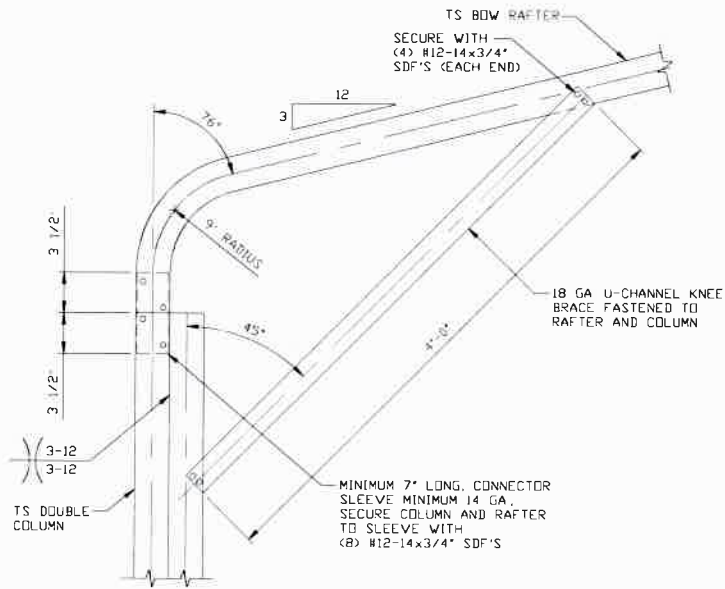
DWG. NO: SK-3

**JOB NO: 19157S/
 19259S/2115S**

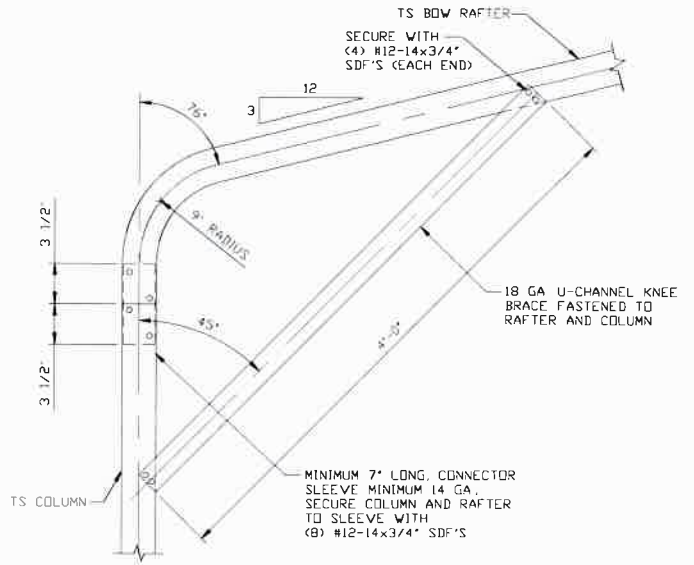
REV: 2

THIS DOCUMENT IS THE PROPERTY OF MOORE AND ASSOCIATES ENGINEERING AND CONSULTING. THE UNAUTHORIZED REPRODUCTION, COPYING, OR OTHERWISE USE OF THIS DOCUMENT IS STRICTLY PROHIBITED AND ANY INFRINGEMENT THEREUPON MAY BE SUBJECT TO LEGAL ACTION.

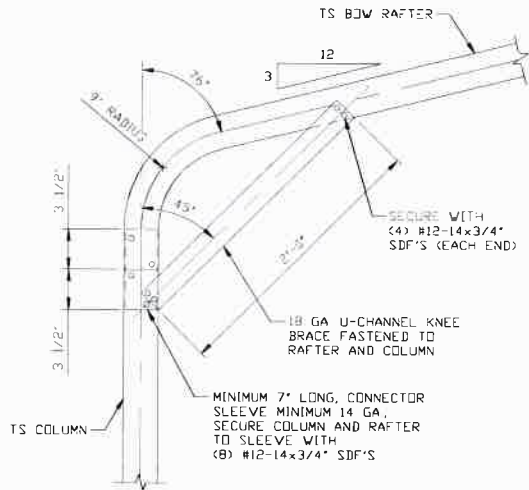
EXPOSURE C



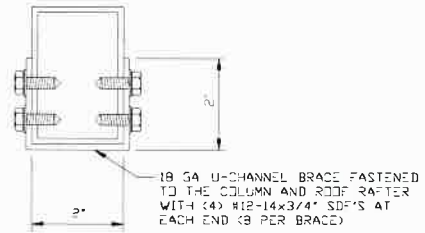
1
BOW EAVE RAFTER COLUMN CONNECTION DETAIL FOR HEIGHTS 10'-0" < TO ≤ 16'-0"
 SCALE: NTS



1A
BOW EAVE RAFTER COLUMN CONNECTION DETAIL FOR HEIGHTS 9'-0" < TO ≤ 10'-0"
 SCALE: NTS



1B
BOW EAVE RAFTER COLUMN CONNECTION DETAIL FOR HEIGHTS ≤ 9'-0"
 SCALE: NTS



BRACE SECTION
 SCALE: NTS

**MOORE AND ASSOCIATES
 ENGINEERING AND CONSULTING, INC.**

DRAWN BY: JG

CHECKED BY: PDH

PROJECT MGR: WSM

CLIENT: SOUTHEASTERN

**SOUTHEASTERN BUILDING PRODUCTS
 714 WARSAW RD.
 CLINTON, NC 28328
 30'-0" x 16'-0" ENCLOSED STRUCTURE**

DATE: 6-18-21

SHT. 8A

SCALE: NTS

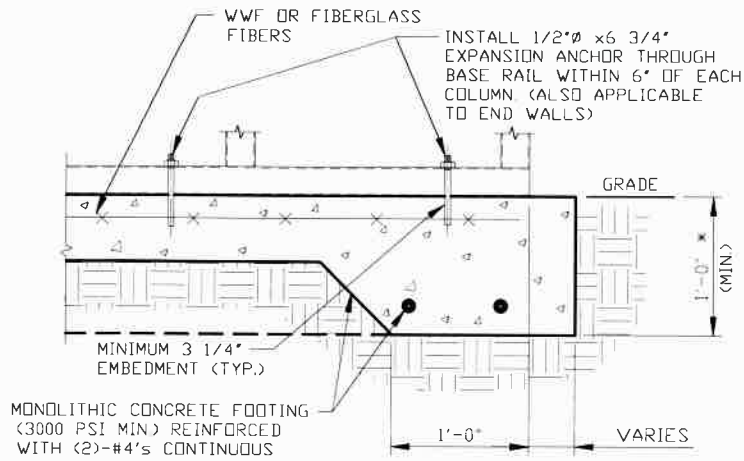
DWG. NO: SK-3

**JOB NO: 19157S/
 19259S/21115S**

REV: 2

THIS DOCUMENT IS THE PROPERTY OF MOORE AND ASSOCIATES ENGINEERING AND CONSULTING. THE UNAUTHORIZED REPRODUCTION, COPYING, OR OTHERWISE USE OF THIS DOCUMENT IS STRICTLY PROHIBITED AND ANY INFRINGEMENT THEREUPON MAY BE SUBJECT TO LEGAL ACTION.

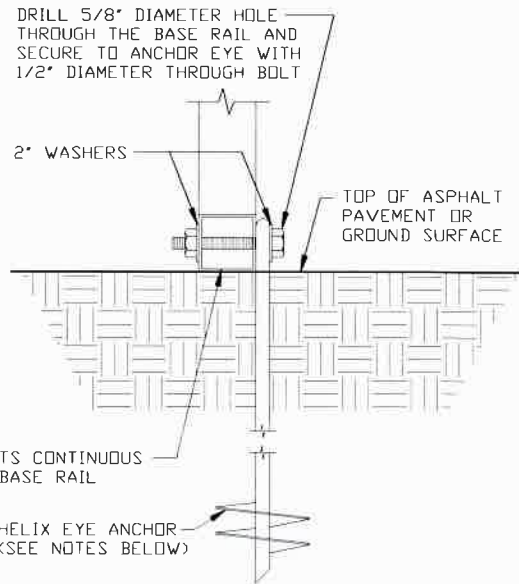
BASE RAIL ANCHORAGE OPTIONS



2A

CONCRETE MONOLITHIC SLAB BASE RAIL ANCHORAGE

SCALE: NTS
MINIMUM ANCHOR EDGE DISTANCE IS 4"
* COORDINATE WITH LOCAL BUILDING CODE
AND/OR D. BUILDING OFFICIAL REGARDING
REQUIRED FOOTING DEPTH.



2B

GROUND BASE HELIX ANCHORAGE

SCALE: NTS (CAN BE USED FOR ASPHALT)
* COORDINATE WITH LOCAL BUILDING CODE
AND/OR D. BUILDING OFFICIAL REGARDING
REQUIRED ANCHOR LENGTH.

GENERAL NOTES

NOTE: CONCRETE MONOLITHIC SLAB DESIGN BASED ON
MINIMUM SOIL BEARING CAPACITY OF 1,500 PSF

CONCRETE:

CONCRETE SHALL HAVE A MINIMUM SPECIFIED COMPRESSIVE
STRENGTH OF 3,000 PSI AT 28 DAYS.

COVER OVER REINFORCING STEEL:

FOR FOUNDATIONS, MINIMUM CONCRETE COVER OVER REINFORCING
BARS SHALL BE PER ACI-318:
3" IN FOUNDATIONS WHERE THE CONCRETE IS CAST AGAINST AND
PERMANENTLY IN CONTACT WITH THE EARTH OR EXPOSED TO THE
EARTH OR WEATHER, AND 1 1/2" ELSEWHERE.

REINFORCING STEEL:

THE TURNDOWN REINFORCING STEEL SHALL BE ASTM A615 GRADE
60 THE SLAB REINFORCEMENT SHALL BE WELDED WIRE FABRIC
MEETING ASTM A185 OR FIBERGLASS FIBER REINFORCEMENT.

REINFORCEMENT MAY BE BENT IN THE SHOP OR THE FIELD PROVIDED:

- 1 REINFORCEMENT IS BENT COLD
- 2 THE DIAMETER OF THE BEND, MEASURED ON THE INSIDE OF THE
BAR, IS NOT LESS THAN SIX-BAR DIAMETERS
- 3 REINFORCEMENT PARTIALLY EMBEDDED IN CONCRETE SHALL NOT
BE FIELD BENT.

HELIX ANCHOR NOTES:

- 1 FOR VERY DENSE AND/OR CEMENTED SANDS, COARSE GRAVEL
AND COBBLES, CALICHE, PRELOADED SILTS AND CLAYS, USE
MINIMUM (2) 4" HELICES WITH MINIMUM 30" EMBEDMENT OR
SINGLE 6" HELIX WITH MINIMUM 50" EMBEDMENT
- 2 FOR CORAL USE MINIMUM (2) 4" HELICES WITH MINIMUM
30" EMBEDMENT OR SINGLE 6" HELIX WITH MINIMUM
50" EMBEDMENT
- 3 FOR MEDIUM DENSE COARSE SANDS, SANDY GRAVELS, VERY
STIFF SILTS, AND CLAYS USE MINIMUM (2) 4" HELICES WITH
MINIMUM 30 INCH EMBEDMENT OR SINGLE 6" HELIX WITH MINIMUM
50" EMBEDMENT.
- 4 FOR LOOSE TO MEDIUM DENSE SANDS, FIRM TO STIFF CLAYS AND
SILTS ALLUVIAL FILL, USE MINIMUM (2) 6" HELICES WITH MINIMUM
50" EMBEDMENT.
- 5 FOR VERY LOSE TO MEDIUM DENSE SANDS, FIRM TO STIFFER
CLAYS AND SILTS, ALLUVIAL FILL, USE MINIMUM (2) 8" HELICES
WITH MINIMUM 60" EMBEDMENT.

**MOORE AND ASSOCIATES
ENGINEERING AND CONSULTING, INC.**

DRAWN BY: JG

CHECKED BY: PDH

PROJECT MGR: WSM

CLIENT: SOUTHEASTERN

SOUTHEASTERN BUILDING PRODUCTS
714 WARSAW RD.
CLINTON, NC 28328
30'-0" x 16'-0" ENCLOSED STRUCTURE

DATE: 6-18-21

SHT. 9

SCALE: NTS

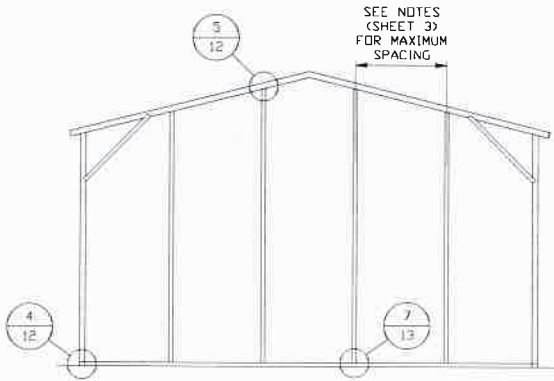
DWG. NO: SK-3

JOB NO: 19157S/
19259S/21115S

REV: 2

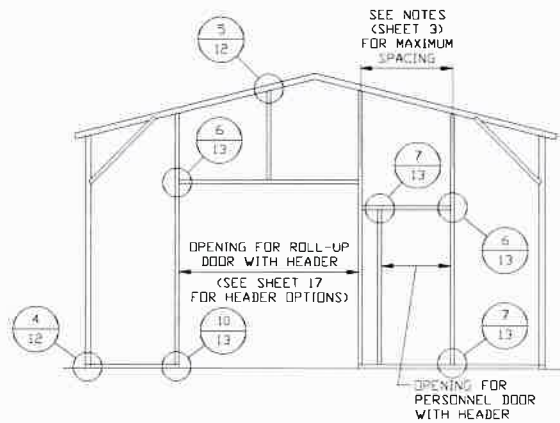
THIS DOCUMENT IS THE PROPERTY OF MOORE AND ASSOCIATES ENGINEERING AND
CONSULTING. THE UNAUTHORIZED REPRODUCTION, COPYING, OR OTHERWISE USE OF
THIS DOCUMENT IS STRICTLY PROHIBITED AND ANY INFRINGEMENT THEREUPON MAY
BE SUBJECT TO LEGAL ACTION.

BOX EAVE RAFTER END WALL AND SIDE WALL OPENINGS



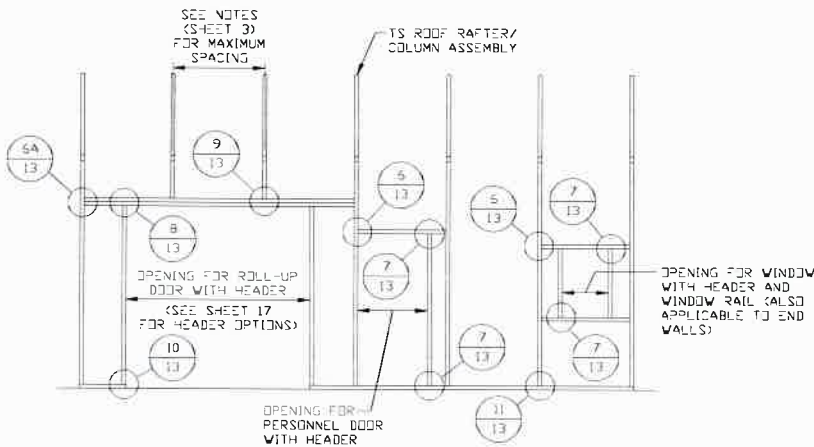
**TYPICAL BOX EAVE RAFTER
END WALL FRAMING SECTION**

SCALE: NTS



**TYPICAL BOX EAVE RAFTER END
WALL OPENINGS FRAMING SECTION**

SCALE: NTS



**TYPICAL BOX EAVE RAFTER
SIDE WALL OPENINGS FRAMING SECTION**

SCALE: NTS

**MOORE AND ASSOCIATES
ENGINEERING AND CONSULTING, INC.**

DRAWN BY: JG

CHECKED BY: PDH

PROJECT MGR: WSM

CLIENT: SOUTHEASTERN

SOUTHEASTERN BUILDING PRODUCTS
714 WARSAW RD.
CLINTON, NC 28328
30'-0" x 16'-0" ENCLOSED STRUCTURE

DATE: 6-18-21

SHT. 10

SCALE: NTS

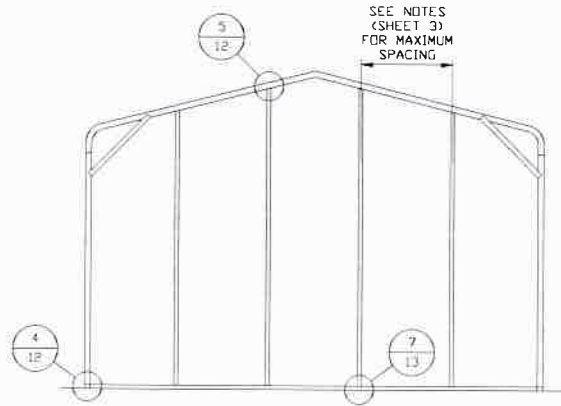
DWG. NO: SK-3

**JOB NO: 19157S/
19259S/21115S**

REV: 2

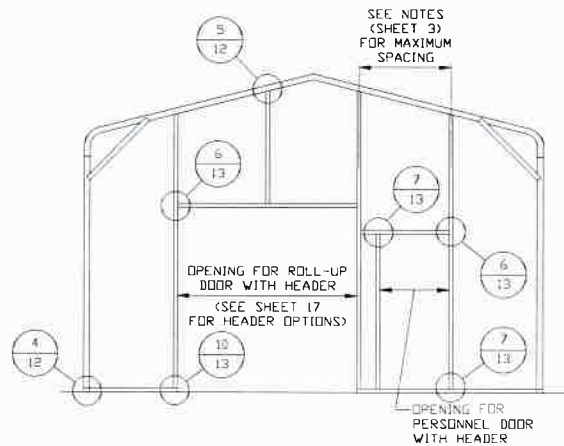
THIS DOCUMENT IS THE PROPERTY OF MOORE AND ASSOCIATES ENGINEERING AND CONSULTING. THE UNAUTHORIZED REPRODUCTION, COPYING, OR OTHERWISE USE OF THIS DOCUMENT IS STRICTLY PROHIBITED AND ANY INFRINGEMENT THEREUPON MAY BE SUBJECT TO LEGAL ACTION.

BOW RAFTER END WALL AND SIDE WALL OPENINGS



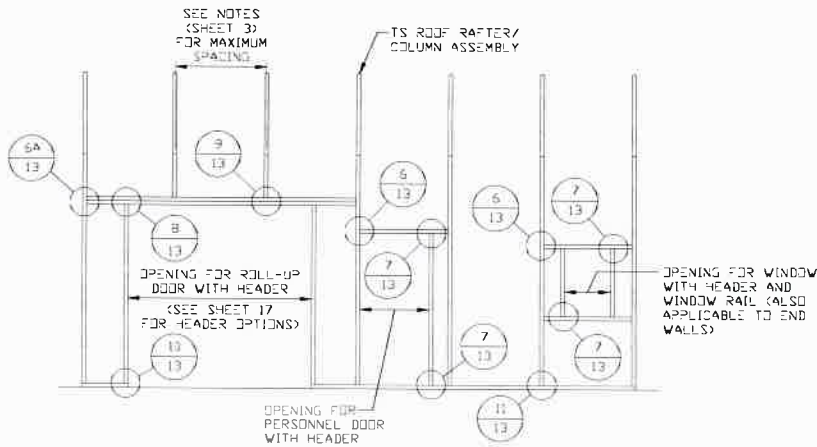
**TYPICAL BOW RAFTER
END WALL FRAMING SECTION**

SCALE: NTS



**TYPICAL BOW RAFTER END
WALL OPENINGS FRAMING SECTION**

SCALE: NTS



**TYPICAL BOW RAFTER SIDE
WALL OPENINGS FRAMING SECTION**

SCALE: NTS

**MOORE AND ASSOCIATES
ENGINEERING AND CONSULTING, INC.**

DRAWN BY: JG

CHECKED BY: PDH

PROJECT MGR: WSM

CLIENT: SOUTHEASTERN

SOUTHEASTERN BUILDING PRODUCTS
714 WARSAW RD.
CLINTON, NC 28328
30'-0" x 16'-0" ENCLOSED STRUCTURE

DATE: 6-18-21

SCALE: NTS

SHT. 11

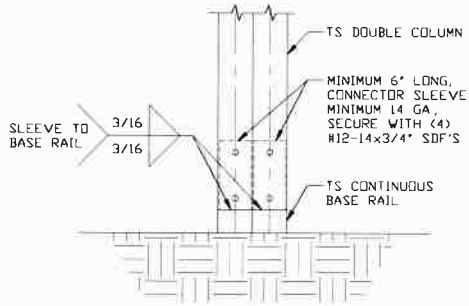
DWG. NO: SK-3

**JOB NO: 19157S/
19259S/21115S**

REV: 2

THIS DOCUMENT IS THE PROPERTY OF MOORE AND ASSOCIATES ENGINEERING AND CONSULTING. THE UNAUTHORIZED REPRODUCTION, COPYING, OR OTHERWISE USE OF THIS DOCUMENT IS STRICTLY PROHIBITED AND ANY INFRINGEMENT THEREUPON MAY BE SUBJECT TO LEGAL ACTION.

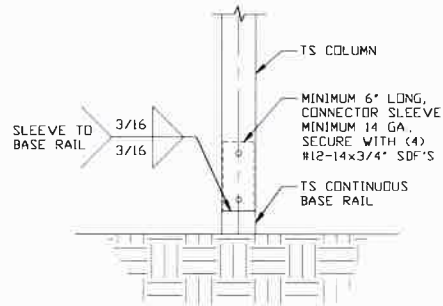
CONNECTION DETAILS



3

RAFTER COLUMN/BASE RAIL CONNECTION DETAIL

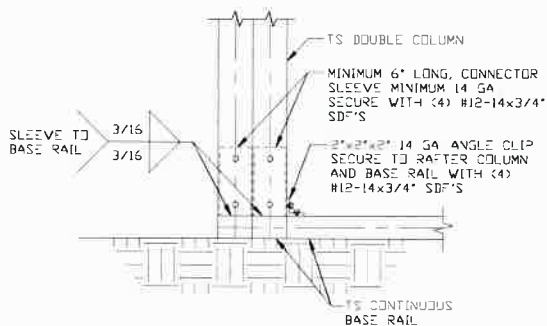
SCALE: NTS



3A

RAFTER COLUMN/BASE RAIL CONNECTION DETAIL

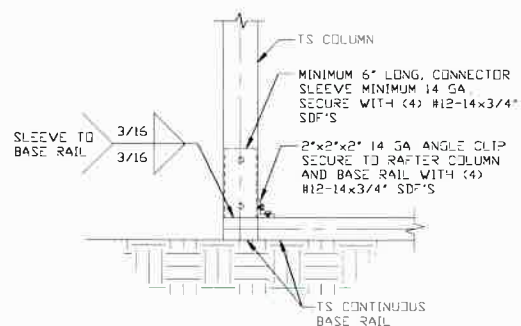
SCALE: NTS



4

END COLUMN/BASE RAIL CONNECTION DETAIL

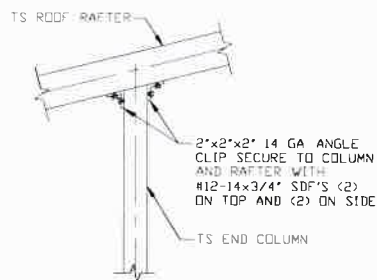
SCALE: NTS



4A

END COLUMN/BASE RAIL CONNECTION DETAIL

SCALE: NTS



5

END COLUMN/RAFTER CONNECTION DETAIL

SCALE: NTS

**MOORE AND ASSOCIATES
ENGINEERING AND CONSULTING, INC.**

DRAWN BY: JG

CHECKED BY: PDH

PROJECT MGR: WSM

CLIENT: SOUTHEASTERN

SOUTHEASTERN BUILDING PRODUCTS
714 WARSAW RD.
CLINTON, NC 28328
30'-0" x 16'-0" ENCLOSED STRUCTURE

DATE: 6-18-21

SHT. 12

SCALE: NTS

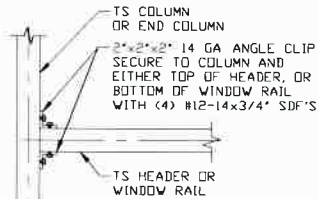
DWG. NO: SK-3

**JOB NO: 19157S/
19259S/21115S**

REV: 2

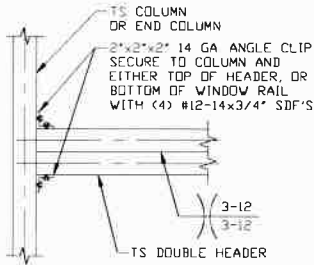
THIS DOCUMENT IS THE PROPERTY OF MOORE AND ASSOCIATES ENGINEERING AND CONSULTING. THE UNAUTHORIZED REPRODUCTION, COPYING, OR OTHERWISE USE OF THIS DOCUMENT IS STRICTLY PROHIBITED AND ANY INFRINGEMENT THEREUPON MAY BE SUBJECT TO LEGAL ACTION.

CONNECTION DETAILS



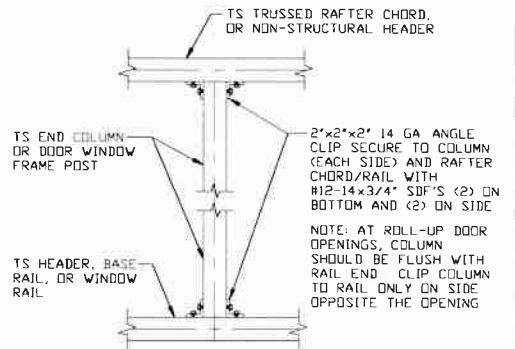
6 COLUMN OR WINDOW RAIL TO POST CONNECTION DETAIL

SCALE: NTS



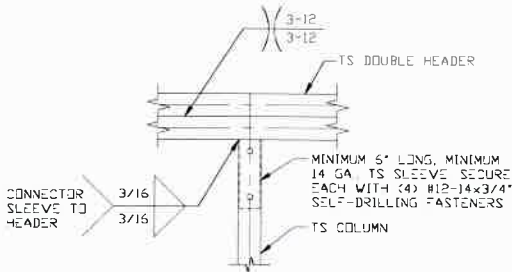
6A LACED HEADER/COLUMN CONNECTION DETAIL

SCALE: NTS



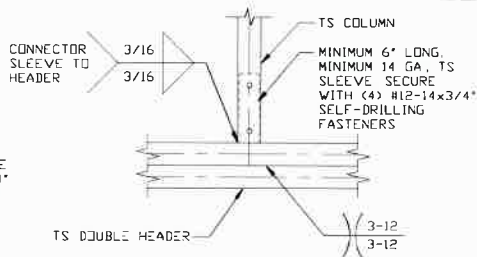
7 COLUMN TO WINDOW RAIL CONNECTION DETAIL

SCALE: NTS



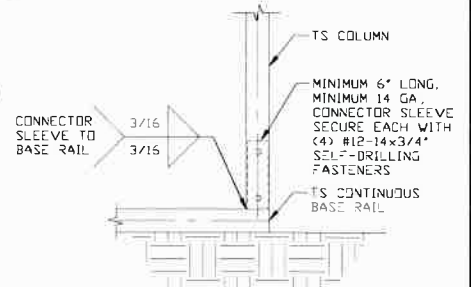
8 LACED HEADER/COLUMN CONNECTION DETAIL

SCALE: NTS



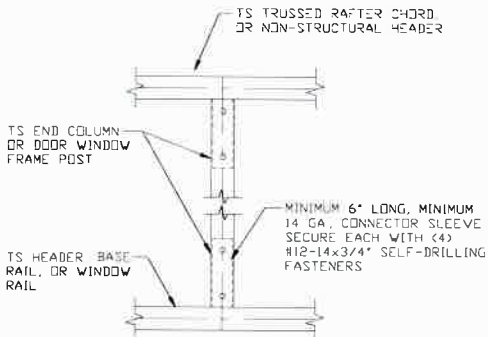
9 COLUMN/LACED HEADER CONNECTION DETAIL

SCALE: NTS



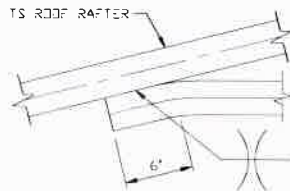
10 COLUMN/BASE RAIL CONNECTION DETAIL

SCALE: NTS



11 COLUMN TO HEADER OR BASE RAIL CONNECTION DETAIL

SCALE: NTS



12 COLLAR TIE CONNECTION DETAIL

SCALE: NTS

**MOORE AND ASSOCIATES
ENGINEERING AND CONSULTING, INC.**

DRAWN BY: JG

CHECKED BY: PDH

PROJECT MGR: WSM

CLIENT: SOUTHEASTERN

SOUTHEASTERN BUILDING PRODUCTS
714 WARSAW RD.
CLINTON, NC 28328
30'-0" x 16'-0" ENCLOSED STRUCTURE

DATE: 6-18-21

SHT. 13

SCALE: NTS

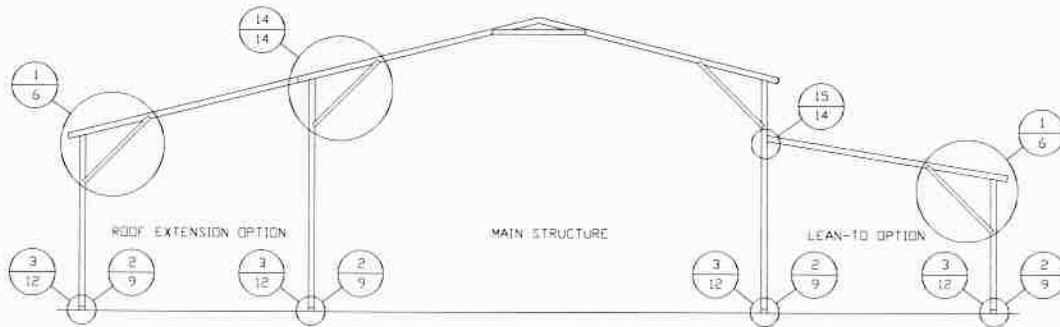
DWG. NO: SK-3

**JOB NO: 19157S/
19259S/21115S**

REV: 2

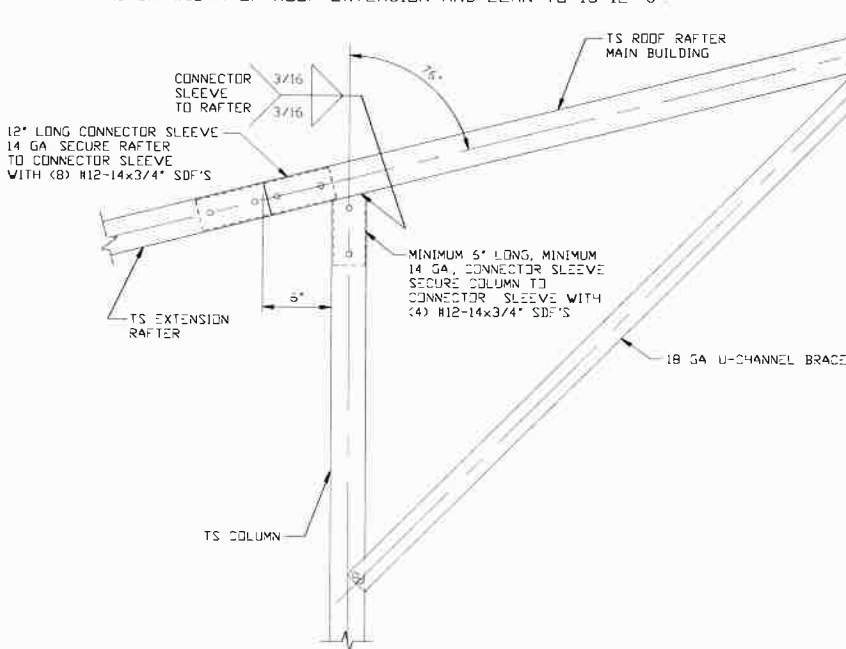
THIS DOCUMENT IS THE PROPERTY OF MOORE AND ASSOCIATES ENGINEERING AND CONSULTING. THE UNAUTHORIZED REPRODUCTION, COPYING, OR OTHERWISE USE OF THIS DOCUMENT IS STRICTLY PROHIBITED AND ANY INFRINGEMENT THEREUPON MAY BE SUBJECT TO LEGAL ACTION.

BOX EAVE RAFTER LEAN-TO OPTIONS

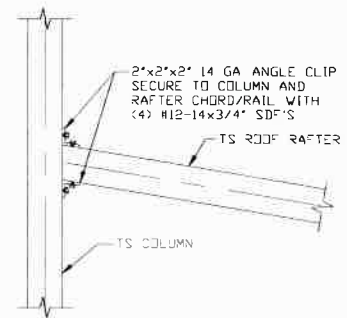


TYPICAL BOX EAVE RAFTER LEAN-TO OPTIONS FRAMING SECTION (BOTH OPTIONS SHOWN)

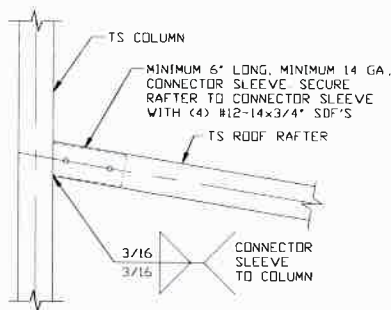
SCALE: NTS
 MAXIMUM WIDTH OF ROOF EXTENSION AND LEAN-TO IS 12'-0"



14 SIDE EXTENSION RAFTER/ COLUMN
 DETAIL FOR RAFTER SPANS \leq 12'-0"
 SCALE: NTS



15 LEAN-TO RAFTER TO RAFTER
 COLUMN CONNECTION DETAIL
 FOR RAFTER SPANS \leq 12'-0"
 SCALE: NTS



15A LEAN-TO RAFTER TO RAFTER
 COLUMN CONNECTION DETAIL
 FOR RAFTER SPANS \leq 12'-0"
 SCALE: NTS

**MOORE AND ASSOCIATES
 ENGINEERING AND CONSULTING, INC.**

DRAWN BY: JG

CHECKED BY: PDH

PROJECT MGR: WSM

CLIENT: SOUTHEASTERN

SOUTHEASTERN BUILDING PRODUCTS
 714 WARSAW RD.
 CLINTON, NC 28328
 30'-0"x16'-0" ENCLOSED STRUCTURE

DATE: 6-18-21

SHT. 14

SCALE: NTS

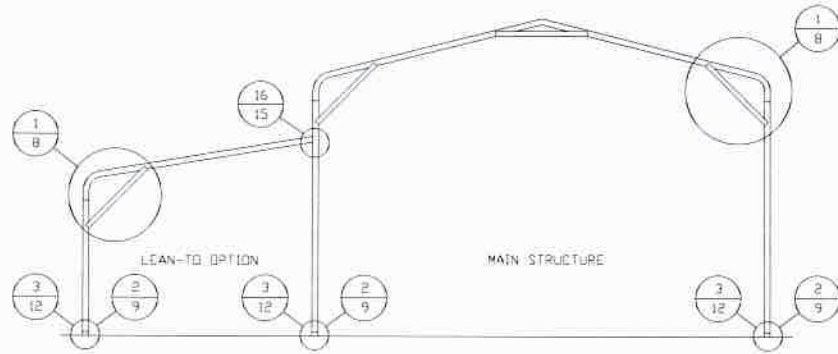
DWG. NO: SK-3

**JOB NO: 19157S/
 19259S/21115S**

REV: 2

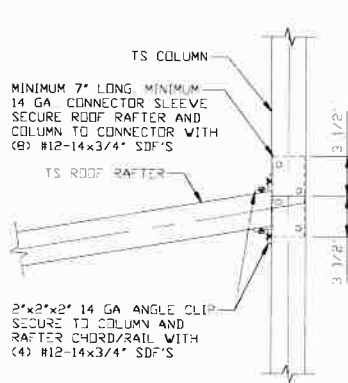
THIS DOCUMENT IS THE PROPERTY OF MOORE AND ASSOCIATES ENGINEERING AND CONSULTING. THE UNAUTHORIZED REPRODUCTION, COPYING, OR OTHERWISE USE OF THIS DOCUMENT IS STRICTLY PROHIBITED AND ANY INFRINGEMENT THEREUPON MAY BE SUBJECT TO LEGAL ACTION.

BOW EAVE RAFTER LEAN-TO OPTION



TYPICAL BOW RAFTER LEAN-TO OPTION FRAMING SECTION

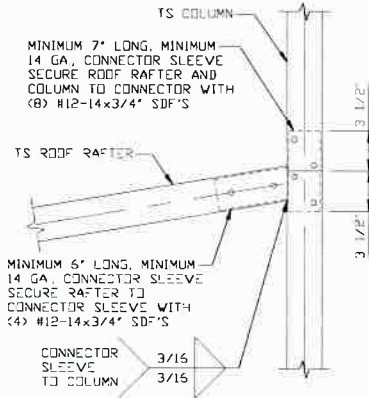
SCALE: NTS



**LEAN-TO RAFTER TO RAFTER
COLUMN CONNECTION DETAIL
FOR RAFTER SPANS \leq 12'-0"**

SCALE: NTS

16



**LEAN-TO RAFTER TO RAFTER
COLUMN CONNECTION DETAIL
FOR RAFTER SPANS \leq 12'-0"**

SCALE: NTS

16A

**MOORE AND ASSOCIATES
ENGINEERING AND CONSULTING, INC.**

DRAWN BY: JG

CHECKED BY: PDH

PROJECT MGR: WSM

CLIENT: SOUTHEASTERN

SOUTHEASTERN BUILDING PRODUCTS
714 WARSAW RD.
CLINTON, NC 28328
30'-0" x 16'-0" ENCLOSED STRUCTURE

DATE: 6-18-21

SHT. 15

SCALE: NTS

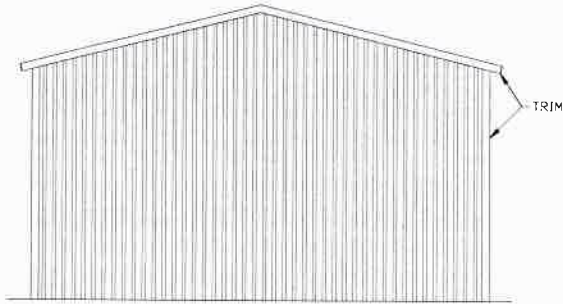
DWG. NO: SK-3

**JOB NO: 19157S/
19259S/21115S**

REV: 2

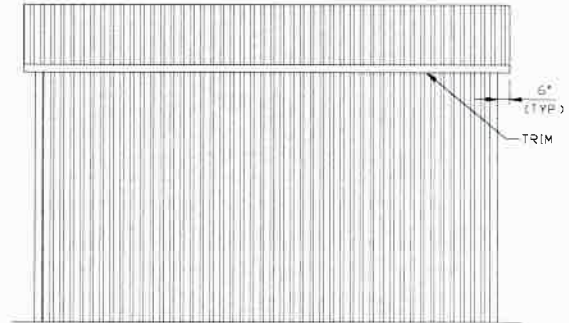
THIS DOCUMENT IS THE PROPERTY OF MOORE AND ASSOCIATES ENGINEERING AND CONSULTING. THE UNAUTHORIZED REPRODUCTION, COPYING, OR OTHERWISE USE OF THIS DOCUMENT IS STRICTLY PROHIBITED AND ANY INFRINGEMENT THEREUPON MAY BE SUBJECT TO LEGAL ACTION.

BOX EAVE RAFTER VERTICAL ROOF/SIDING OPTION



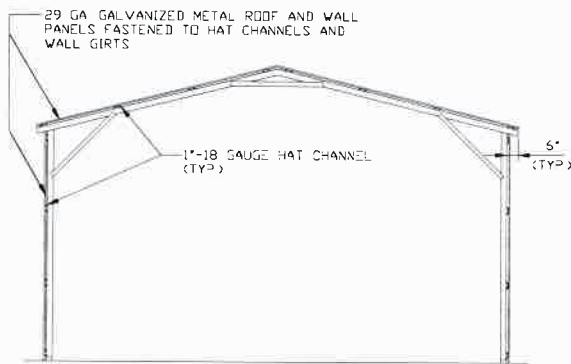
**TYPICAL END ELEVATION
VERTICAL ROOF/SIDING**

SCALE: NTS



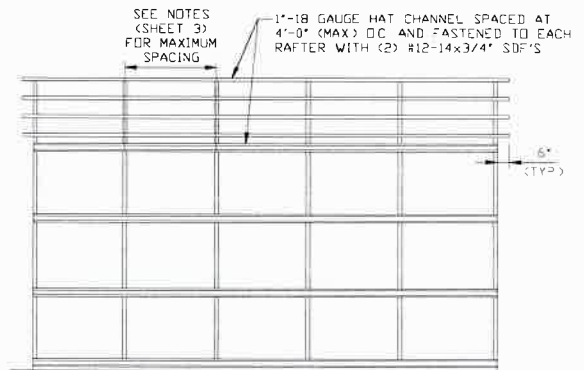
**TYPICAL SIDE ELEVATION
VERTICAL ROOF/SIDING**

SCALE: NTS



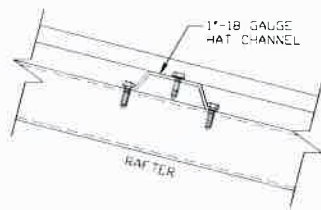
**TYPICAL SECTION VERTICAL
ROOF/SIDING OPTION**

SCALE: NTS



**TYPICAL FRAMING SECTION
VERTICAL ROOF/SIDING OPTION**

SCALE: NTS



ROOF PANEL ATTACHMENT

(ALTERNATE FOR VERTICAL ROOF PANELS)

SCALE: NTS

**MOORE AND ASSOCIATES
ENGINEERING AND CONSULTING, INC.**

DRAWN BY: JG

CHECKED BY: PDH

PROJECT MGR: WSM

CLIENT: SOUTHEASTERN

SOUTHEASTERN BUILDING PRODUCTS
714 WARSAW RD.
CLINTON, NC 28328
30'-0" x 16'-0" ENCLOSED STRUCTURE

DATE: 6-18-21

SHT. 16

SCALE: NTS

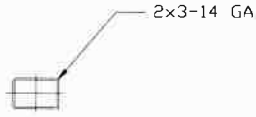
DWG. NO: SK-3

**JOB NO: 19157S/
19259S/21115S**

REV: 2

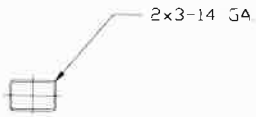
THIS DOCUMENT IS THE PROPERTY OF MOORE AND ASSOCIATES ENGINEERING AND CONSULTING. THE UNAUTHORIZED REPRODUCTION, COPYING, OR OTHERWISE USE OF THIS DOCUMENT IS STRICTLY PROHIBITED AND ANY INFRINGEMENT THEREUPON MAY BE SUBJECT TO LEGAL ACTION.

HEADER OPTION DETAILS
END WALL HEADER DETAILS

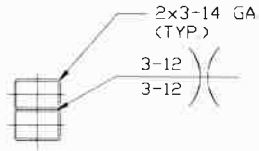


**HEADER DETAIL FOR
LENGTHS \leq 12'-0"**
SCALE: NTS

SIDE WALL HEADER DETAILS



**HEADER DETAIL FOR
LENGTHS \leq 9'-0"**
SCALE: NTS



**DOUBLE HEADER DETAIL FOR
9'-0" < LENGTHS \leq 12'-0"**
SCALE: NTS

**MOORE AND ASSOCIATES
ENGINEERING AND CONSULTING, INC.**

DRAWN BY: JG

CHECKED BY: PDH

PROJECT MGR: VSM

CLIENT: SOUTHEASTERN

**SOUTHEASTERN BUILDING PRODUCTS
714 WARSAW RD.
CLINTON, NC 28328
30'-0"x16'-0" ENCLOSED STRUCTURE**

DATE: 6-18-21

SHT. 17

SCALE: NTS

DWG. NO: SK-3

**JOB NO: 19157S/
19259S/21115S**

REV: 2

THIS DOCUMENT IS THE PROPERTY OF MOORE AND ASSOCIATES ENGINEERING AND CONSULTING. THE UNAUTHORIZED REPRODUCTION, COPYING, OR OTHERWISE USE OF THIS DOCUMENT IS STRICTLY PROHIBITED AND ANY INFRINGEMENT THEREUPON MAY BE SUBJECT TO LEGAL ACTION.