



STONE LOOK

# LINDEN POINT™

GLAZED PORCELAIN FLOOR, GLAZED CERAMIC WALL & MOSAIC



 daltile®  
IMAGINE WHAT'S POSSIBLE™



# LINDEN POINT™

GLAZED PORCELAIN FLOOR, GLAZED CERAMIC WALL & MOSAIC

## Modern Restoration

The contemporary look of Linden Point™ emulates a soft linear stone with varying horizontal veining. Its soft texture finish and versatile color palette are offered in the popular 12 x 24 floor tile and 10 x 14 wall tile as well as a 2 x 2 mosaic. Enhance your space with the modern and versatile look of Linden Point.

- CONTEMPORARY VISUAL
  - Emulates the modern look of soft stone
  - Features flowing linear movement and texture
- MODERN AND VERSATILE
  - Versatile warm color palette
  - Contemporary and popular floor, wall and mosaic sizes

### STONE LOOK

#### USAGE



FLOOR



WALL



COUNTERTOP



SHOWER FLOOR



EXTERIOR FLOOR



STEPWISE™



TRU-EDGE™



MADE IN THE U.S.A.



LARGE FORMAT



MOSAIC/DECO



ENCAUSTIC



TERRAZZO



PAVER



CUSTOMIZE



FLEXFIT™



PG  
GLAZED PORCELAIN



LOW HIGH

SEE CHARTS FOR FULL PRODUCT DETAILS

### SPECIAL FEATURES

Cover photo features Linden Point™ Grigio 12 x 24 floor tile on the floor with Grigio 10 x 14 wall tile and 2 x 2 mosaic on the wall. Above photo features Linden Point™ Grigio 12 x 24 floor tile in a grid pattern on the floor.



SIZES:



12 x 24  
Floor Tile



10 x 14  
Wall Tile



2 x 2  
Mosaic

FINISHES: MATTE

COLOR PALETTE



BIANCO



BEIGE



GRIGIO

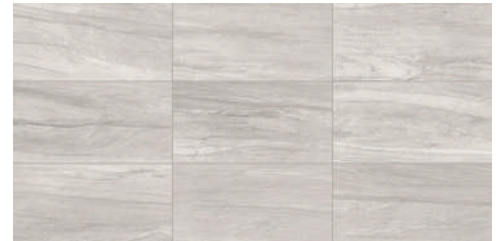
GLAZED PORCELAIN FLOOR TILE



BIANCO LP19



BEIGE LP20



GRIGIO LP21

GLAZED CERAMIC WALL TILE



BIANCO LP19



BEIGE LP20



GRIGIO LP21

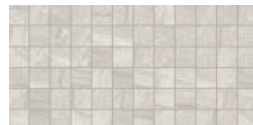
2 x 2 GLAZED CERAMIC MOSAIC



BIANCO LP19



BEIGE LP20



GRIGIO LP21



SLIP RESISTANT



WATERPROOF



STAINPROOF



DENTPROOF



SCRATCH-RESISTANT\*  
\*Applicable to products with Matte and Textured Finishes



FIRE-RESISTANT\*  
\*Not Applicable to Mesh-Mounted Mosaics



CLIMATEPRO™



SIMPLICLEAN™

VISIT THE WHY TILE PAGE AT [WWW.DAL TILE.COM](http://WWW.DAL TILE.COM) FOR A COMPLETE LIST OF QUALIFICATIONS AND EXCLUSIONS.




# LINDEN POINT™

GLAZED PORCELAIN FLOOR, GLAZED CERAMIC WALL & MOSAIC

STONE LOOK

Wall Tile

## SIZES

			Thickness	Sq. Ft./ Carton	Pieces/ Carton
	12 x 24 Floor Tile*	(11-13/16" x 23-13/16") (30.00 cm x 60.48 cm)	5/16"	17.60	9
	10 x 14 Wall Tile	(9-13/16" x 13-15/16") (24.99 cm x 35.40 cm)	5/16"	14.25	15
	2 x 2 Mosaic (Dot-mounted on 12" x 24" Sheet)	(12" x 24" Sheet) (30.48 cm x 60.96 cm Sheet)	1/4"	24.00	12

\* This product is manufactured regionally. Slight variances in size and shading may occur between regions. Please contact your sales representative to verify carton square footage. As with all tile projects, be sure to purchase sufficient quantities with your initial order.

Floor Tile

## APPLICATIONS

	Target DCOF wet	Suitable
Dry & Level – Interior Floor	N/A	✓†
Wet & Level – Interior Floor	≥ 0.42	✓†
Shower Floors (Residential or Light Commercial)	≥ 0.42	✓*
Exterior Floor Applications (including patios, pool decking & other wet areas with minimal footwear)	≥ 0.60	
Ramps & Inclines	≥ 0.65	
Walls/Backsplashes	N/A	✓
Countertops	N/A	✓†
Pool Linings	N/A	✓*

A DCOF value of ≥0.42 is the standard for tiles specified for level interior space expected to be walked upon when wet, as stated in ANSI A137.1-A326.3. For more information about DCOF and the DCOF AcuTest™, visit [daltile.com/DCOF](http://daltile.com/DCOF).

### APPLICATION NOTES:

Floor tile suitable for exterior applications (provided it is noted as suitable in the applications chart above) in freezing and non-freezing climates, when proper installation methods are followed.

Wall and mosaic tile suitable for exterior applications in non-freezing climates, when proper installation methods are followed.

† Floor and Mosaic tile only.




\* Mosaic tile only

## PERFORMANCE CHARACTERISTICS


	ASTM#	Floor Result	Wall Result	Mosaic Result
Water Absorption	C373	< 0.5%	< 20.0%	< 3.0%
Breaking Strength	C648	> 275 lbs	120-230 lbs	> 250 lbs
Scratch Hardness	MOHS	7.0	4.0-6.0	7.0
Chemical Resistance	C650	Resistant	Resistant	Resistant

For additional information on test results, visit us at: [daltile.com/information/TestResults](http://daltile.com/information/TestResults).

## TRIM

	Type	Number	Size	Pieces/ Carton
	Bullnose	P43C9	3 x 12	30
	Wall Bullnose	S4310	3 x 10	54
	Wall Bullnose Corner	SN4310	3 x 3	32

## INSTALLATION

Grout Joint Recommendation	Shade Variation
<p><b>Floor:</b> 3/16" (Overlap should not exceed 33% when installing tile with a length 15" or greater in a staggered brick-joint pattern.)</p> <p><b>Wall:</b> 1/16"</p> <p><b>Mosaic:</b> 1/8"</p>	 High (V3)

## DURABILITY

Floor Surface Wear Resistance			
1 Residential Bathrooms	③	All Residential / Light Commercial	
2 All Residential Areas	4	All Residential / Commercial	

## NOTES

Since there are variations in all fired ceramic and natural products, tile and trim supplied for your particular installation may not match samples. Final confirmation should be made from actual tiles and trim prior to installation. Manufactured in accordance with ANSI A137.1 standards.

Not for use on ramps. Water, oil, grease, improper drainage and certain footwear can create slippery conditions. Floor applications expected to be exposed to these conditions require extra caution in product selection.

For additional information refer to "Factors to Consider" at: [daltile.com/Factors](http://daltile.com/Factors).

Special consideration needs to be given when installing tiles greater than 15 inches. Please refer to [daltile.com/LargeTiles](http://daltile.com/LargeTiles) for more information.

Use of a latex modified thin-set is recommended for installation. For more information, visit [daltile.com](http://daltile.com).



All or select items within this series meet the requirements for these qualifications. For more information, visit [daltile.com](http://daltile.com).



7834 C.F. Hawn Freeway,  
Dallas, Texas 75217 | 1.800.933.TILE

To view the complete collection of Daltile® products and information, visit our website at [daltile.com](http://daltile.com).



# Ultracolor® Plus FA - Color palette



00 White



01 Alabaster



02 Pewter



04 Bahama Beige



05 Chamois



06 Harvest



07 Chocolate



09 Gray



10 Black



101 Rain



102 Mint



103 Cobblestone



104 Timberwolf



105 Driftwood



106 Walnut



107 Iron



108 Bamboo



109 Acorn



11 Sahara Beige



110 Caramel



111 Hickory



112 Pecan



113 Brick Red



114 Mahogany



115 Truffle



14 Biscuit



15 Bone



19 Pearl Gray



27 Silver



35 Navajo Brown



38 Avalanche



39 Ivory



42 Mocha



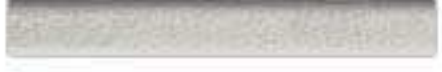
44 Pale Umber



47 Charcoal



49 Light Almond



77 Frost



79 Cocoa



93 Warm Gray



94 Straw











•103 Cobblestone • Galet • Adoquín

