

PLANS FOR:

PROVIDENCE CREEK AMENITY CENTER & POOL



P-0961

JDS Consulting
ENGINEERING · DESIGN · ENERGY

JDS Consulting PLLC, 8600 'D' JERSEY COURT, RALEIGH, NC 27617 919.480.1075
INFO@JDSCONSULTING.NET WWW.JDSCONSULTING.NET

JDS Consulting PLLC IS NOT LIABLE FOR CHANGES MADE TO PLANS DUE TO CONSTRUCTION METHODS OR ANY CHANGES TO PLANS MADE IN THE FIELD. THE CLIENT SHALL BE RESPONSIBLE FOR VERIFYING THE ACCURACY OF THE TITLE, LOT NUMBER, PROPERTY, OR AS A MASTER PLAN AS SPECIFIED ON THIS SHEET. DIMENSIONS SHALL GOVERN OVER SCALE, AND CODE SHALL GOVERN OVER DIMENSIONS ON DRAWINGS.

INDEX OF SHEETS

SHEET	TITLE
T	TITLE SHEET: PROJECT INFORMATION AND NOTES
GN1.0	GENERAL NOTES
APP B1	APPENDIX "B"
APP B2	APPENDIX "B"
B1.0	FLOOR PLAN, ROOF PLAN, RCP, SCHEDULES
B2.0	ELEVATIONS, RESTROOMS, WALL SECTION
B2.1	LIFE SAFETY PLAN
S1.0	FIRST FLOOR FRAMING PLAN
M1.0	MECHANICAL PLANS
E1.0	ELECTRICAL PLANS
E1.1	ELECTRICAL SCHEDULES
P1.0	PLUMBING PLANS
P1.1	PLUMBING NOTES AND DETAILS
SP1.1	POOL PIPING LAYOUT
SP1.2	POOL LAYOUT
SP.2	SECTIONS AND DETAILS
SP.3	SECTIONS AND DETAILS
SP.4	DETAILS
SP.5	DETAILS
SP.6	DETAILS

REVISION LOG

DATE	REVISED BY	REVISION
03/07/2023	NWS	REMOVED FIRE ALARM FROM APPENDIX B
05/02/2023	NWS	REVISED B2 DETAILS PER CLIENT REQUEST, ADDED PLUMBING NOTE PER CLIENT REQUEST ²

NOTES

- ENGINEER'S SEAL APPLIES TO STRUCTURAL COMPONENTS ONLY. ENGINEER'S SEAL DOES NOT CERTIFY DIMENSIONAL ACCURACY OR ARCHITECTURAL LAYOUT, INCLUDING ROOF GEOMETRY. JDS CONSULTING ASSUMES NO LIABILITY FOR CHANGES MADE TO THESE PLANS BY OTHERS, OR FOR CONSTRUCTION METHODS, OR FOR ANY DEVIATION FROM THE PLANS. ENGINEER TO BE NOTIFIED PRIOR TO CONSTRUCTION IF ANY DISCREPANCIES ARE NOTED ON THE PLANS.
- DIMENSIONS SHALL GOVERN OVER SCALE, AND CODE SHALL GOVERN OVER DIMENSIONS.
- PLANS MUST HAVE SIGNED SEAL TO BE VALID AND ARE LIMITED TO THE FOLLOWING USES:
 - IF THESE PLANS ARE ISSUED AS A MASTER-PLAN SET, THE SET IS VALID FOR 18 MONTHS FROM THE DATE ON THE SEAL, UNLESS ANY CODE-REQUIRED UPDATES ARE PLACED IN EFFECT BY THE MUNICIPALITY.
 - IF THESE PLANS ARE NOT ISSUED AS A MASTER-PLAN SET, THE SET IS VALID FOR A CONDITIONAL, ONE-TIME USE FOR THE LOT OR ADDRESS SPECIFIED ON THE TITLE BLOCK.

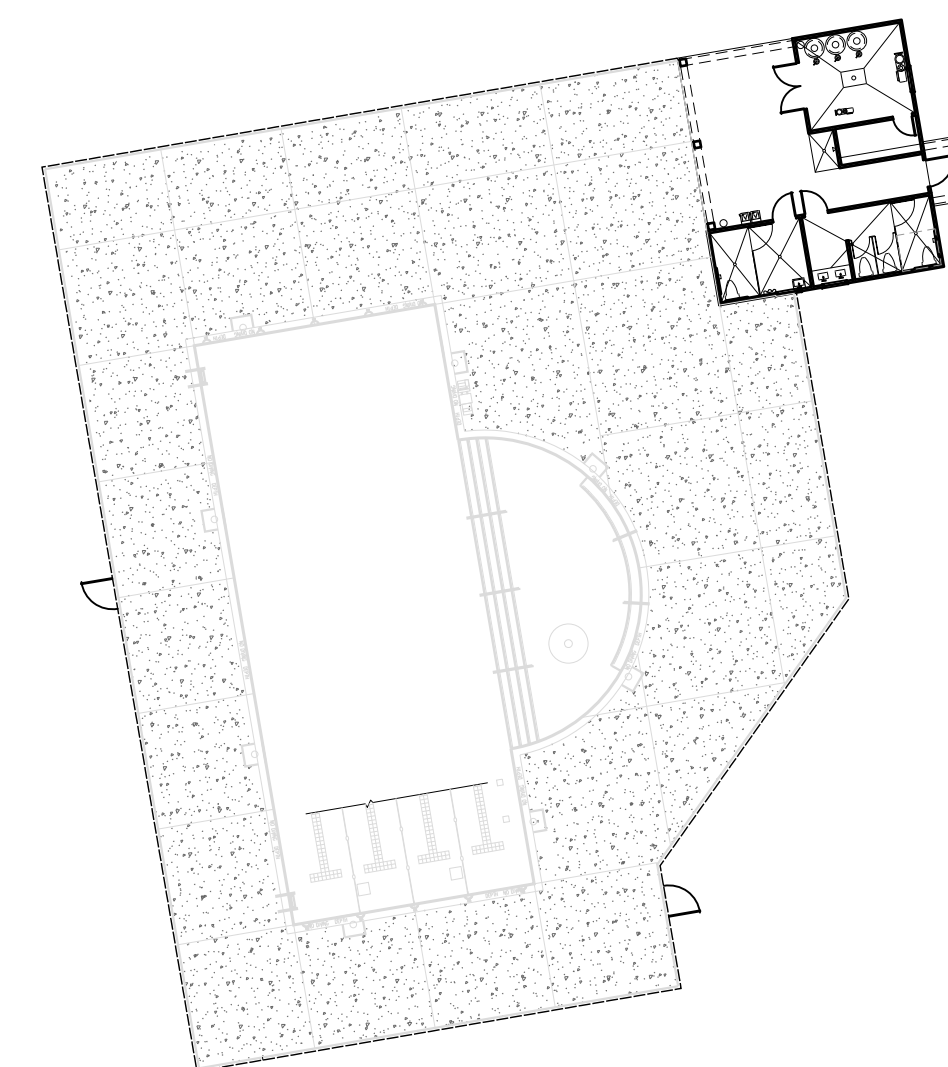
CODE

ALL CONSTRUCTION, WORKMANSHIP, AND MATERIAL QUALITY AND SELECTION SHALL BE PER:

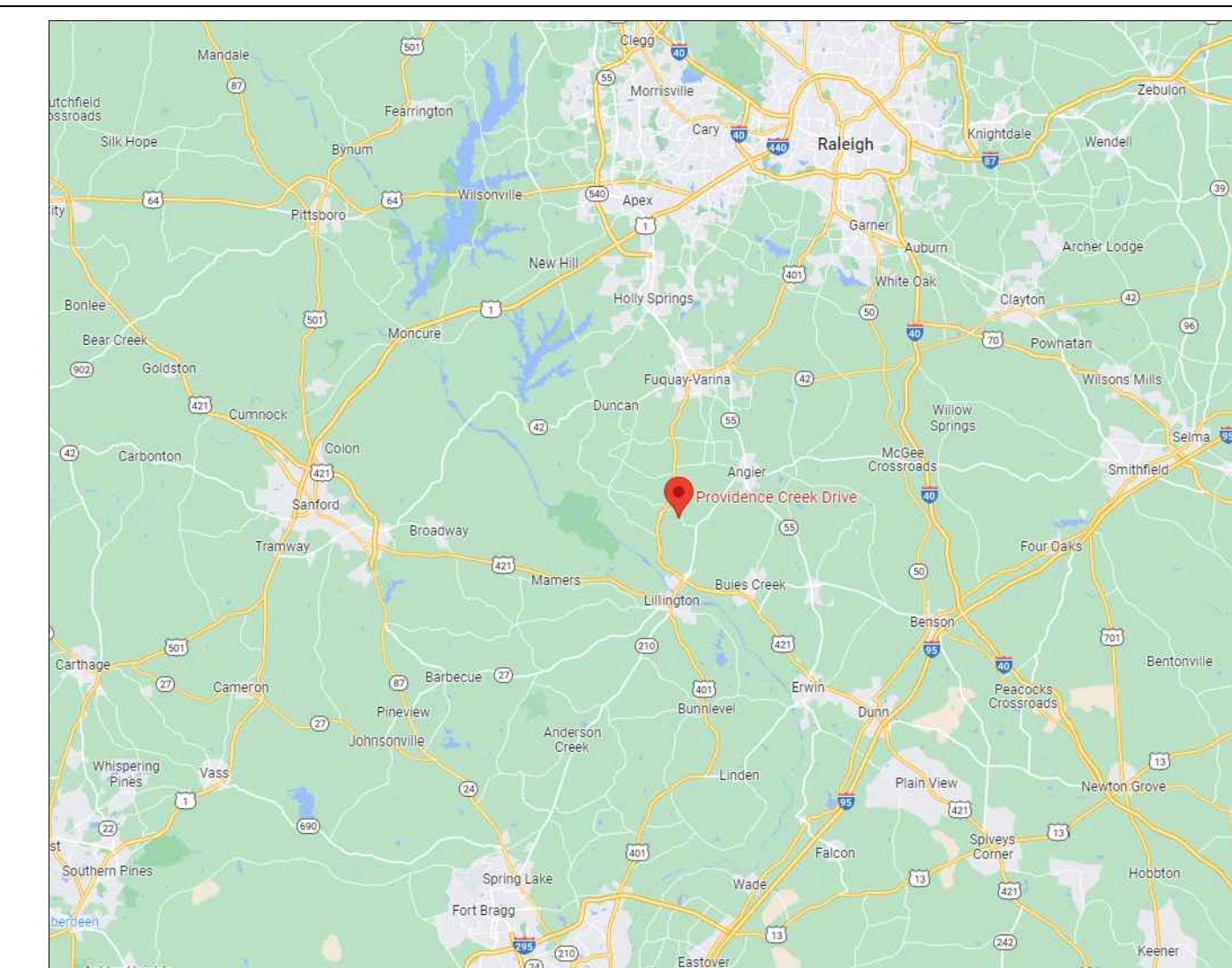
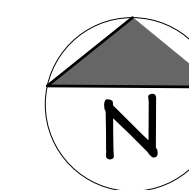
2018
NORTH CAROLINA
STATE BUILDING CODE:
STATE BUILDING CODE

ENGINEER OF RECORD

JDS CONSULTING, PLLC
ENGINEERING · DESIGN · ENERGY
8600 'D' JERSEY COURT
RALEIGH, NC 27617
FIRM LIC. NO: P-0961
PROJECT REFERENCE: 23900139



KEY PLAN
SCALE: NTS



VICINITY MAP
SCALE: NTS

CLIENT: **MATTAMY HOMES**

PROJECT: **PROVIDENCE CREEK AMENITY CENTER & POOL**
LOCATION: **196 PROVIDENCE CREEK DRIVE, FUQUAY-VARINA, NC 27526**

SCALE: 1/4" = 1'-0" FOR 24x36 PAPER, NOT TO SCALE FOR 11x17 PAPER, OR AS NOTED

PROJECT NO.: **23900139**

DATE: **05/02/2023** DRAWN BY: **FAB**

TITLE SHEET

T

ABBREVIATIONS

ABV	ABOVE	LVL	LAMINATED VENEER LUMBER
AFF	ABOVE FINISHED FLOOR	MAX	MAXIMUM
ALT	ALTERNATE	MECH	MECHANICAL
BRG	BEARING	MFTR	MANUFACTURER
BSMT	BASEMENT	MIN	MINIMUM
CANT	CANTILEVER	NTS	NOT TO SCALE
CJ	CEILING JOIST	OA	OVERALL
CLG	CEILING	OC	ON CENTER
CMU	CONCRETE MASONRY UNIT	PT	PRESSURE TREATED
CO	CASED OPENING	R	RISER
COL	COLUMN	REF	REFRIGERATOR
CONC	CONCRETE	RFG	ROOFING
CONT	CONTINUOUS	RO	ROUGH OPENING
D	CLOTHES DRYER	RS	ROOF SUPPORT
DBL	DOUBLE	SC	STUD COLUMN
DIAM	DIAMETER	SF	SQUARE FOOT (FEET)
DJ	DOUBLE JOIST	SH	SHELF / SHELVES
DN	DOWN	SHG	SHEATHING
DP	DEEP	SHW	SHOWER
DR	DOUBLE RAFTER	SIM	SIMILAR
DSP	DOUBLE STUD POCKET	SJ	SINGLE JOIST
EA	EACH	SJ	STUD POCKET
EE	EACH END	SPEC'D	SPECIFIED
EQ	EQUAL	SQ	SQUARE
EX	EXTERIOR	T	TREAD
FAU	FORCED-AIR UNIT	TEMP	TEMPERED GLASS
FDN	FOUNDATION	THK	THICK(NESS)
FF	FINISHED FLOOR	TJ	TRIPLE JOIST
FLR	FLOOR(ING)	TOC	TOP OF CURB / CONCRETE
FP	FIREPLACE	TR	TRIPLE RAFTER
FTG	FOOTING	TYP	TYPICAL
HB	HOSE BIBB	UNO	UNLESS NOTED OTHERWISE
HDR	HEADER	W	CLOTHES WASHER
HGR	HANGER	WH	WATER HEATER
JS	JACK STUD COLUMN	WWF	WELDED WIRE FABRIC
KS	KING STUD COLUMN	XJ	EXTRA JOIST

NOTE: ALL CHAPTERS, SECTIONS, TABLES, AND FIGURES CITED WITHOUT A PUBLICATION TITLE ARE FROM THE APPLICABLE BUILDING CODE (SEE TITLE SHEET).

GENERAL

- IT IS THE CONTRACTOR'S RESPONSIBILITY TO VERIFY ALL DIMENSIONS PRIOR TO CONSTRUCTION. FURTHERMORE, CONTRACTOR IS ULTIMATELY RESPONSIBLE FOR CONSTRUCTION MEANS, METHODS, AND SAFETY ON SITE. NOTIFY JDS CONSULTING IMMEDIATELY IF DISCREPANCIES ON PLAN EXIST.
- STRUCTURAL DRAWINGS ARE INTENDED TO BE USED WITH ARCHITECTURAL, PLUMBING, MECHANICAL, AND ELECTRICAL DRAWINGS. CONTRACTOR IS RESPONSIBLE FOR COORDINATING SUCH REQUIREMENTS INTO THEIR SHOP DRAWINGS AND WORK.
- NO OPENING SHALL BE MADE IN ANY STRUCTURAL MEMBER WITHOUT WRITTEN APPROVAL OF THE ENGINEER-OF-RECORD.
- NO CHANGE IN SIZE OR DIMENSION OF STRUCTURAL MEMBERS SHALL BE MADE WITHOUT WRITTEN APPROVAL OF THE ENGINEER-OF-RECORD.
- OPENINGS 1'-4" OR LESS ON A SIDE ARE GENERALLY NOT SHOWN ON THE STRUCTURAL DRAWINGS. REFER TO ARCHITECTURAL, PLUMBING, MECHANICAL, AND ELECTRICAL DRAWINGS FOR SUCH OPENINGS.
- THE CONTRACTOR IS RESPONSIBLE FOR LIMITING THE AMOUNT OF CONSTRUCTION LOADS APPLIED TO THE STRUCTURAL FRAMING. CONSTRUCTION LOADS SHALL NOT EXCEED THE DESIGN CAPACITY OF THE FRAMING AT THE TIME THE LOADS ARE APPLIED.
- FIRE PROOFING METHODS AND MATERIALS FOR STRUCTURAL MEMBERS ARE NOT SHOWN ON STRUCTURAL DRAWINGS, UNLESS NOTED OTHERWISE. REFER TO ARCHITECTURAL DRAWINGS FOR FIRE PROOFING METHODS AND MATERIALS.
- DO NOT SCALE THESE DRAWINGS; USE DIMENSIONS.

DESIGN CRITERIA

- BUILDING CODE: SEE TITLE SHEET
- ASSUMED SOIL BEARING-CAPACITY 2,000 PSF
- DESIGN LIVE LOADS
 - ROOF: 20 PSF
 - FLOOR (OFFICE) : 50 PSF
 - FLOOR (CORRIDOR) : 100 PSF
- SNOW LOADS
 - GROUND SNOW: 15 PSF
 - FLAT ROOF SNOW, Pf: 15 PSF
 - SNOW EXPOSURE FACTOR, Ce: 1.0
 - IMPORTANCE FACTOR, Is: 1.0
 - THERMAL FACTOR, Ct: 1.0
 - DRIFT SURCHARGE LOAD(S), Pd:
 - WIDTH OF SNOW DRIFT(S), w:
- WIND
 - ULTIMATE DESIGN WIND SPEED: 118 MPH
 - NOMINAL DESIGN WIND SPEED: 89 MPH
 - RISK CATEGORY: II
 - WIND EXPOSURE CATEGORY: B
 - INTERNAL PRESSURE COEFFICIENT: +/- 0.18
 - ROOF COMPONENTS AND CLADDING: + 10 PSF, - 31 PSF
 - WALL COMPONENTS AND CLADDING: + 18 PSF, - 20 PSF
- SEISMIC
 - RISK CATEGORY: II
 - IMPORTANCE FACTOR, Ie: 1.0
 - MAPPED SPECTRAL RESPONSE ACCELERATION, Ss: 0.116 g
 - MAPPED SPECTRAL RESPONSE ACCELERATION, S1: 0.058g
 - SITE CLASS: D
 - DESIGN SPECTRAL RESPONSE ACCELERATION, Sds: 0.23 g
 - DESIGN SPECTRAL RESPONSE ACCELERATION, Sd1: 0.14g
 - SEISMIC DESIGN CATEGORY: B
 - BASIC SEISMIC FORCE-RESISTING SYSTEM: STEEL MOMENT FRAME
 - DESIGN BASE SHEAR: V = 8 k
 - SEISMIC RESPONSE COEFFICIENT, Cs: 0.04
 - RESPONSE MODIFICATION COEFFICIENT, R: 8.5
 - ANALYSIS PROCEDURE: EQUIVALENT LATERAL FORCE

FOUNDATION

- MINIMUM ALLOWABLE SOIL BEARING CAPACITY IS ASSUMED TO BE 2,000 POUNDS PER SQUARE FOOT (PSF). IT IS THE CONTRACTOR'S RESPONSIBILITY TO VERIFY SOIL BEARING CAPACITY IF UNSATISFACTORY CONDITIONS EXIST.
- WOOD SILL PLATES TO BE ANCHORED TO THE FOUNDATION WITH 1/2" DIAMETER ANCHOR BOLTS WITH MINIMUM 7" EMBEDMENT, SPACED A MAXIMUM OF 6'-0" OC AND WITHIN 12" FROM THE ENDS OF EACH PLATE SECTION. INSTALL MINIMUM (2) ANCHOR BOLTS PER SECTION. SEE DRAWINGS FOR SPECIAL CONDITIONS.
- ALL FOOTINGS TO HAVE MINIMUM 2" PROJECTION ON EACH SIDE OF FOUNDATION WALLS (SEE DETAILS).

STRUCTURAL CONCRETE

- POURED CONCRETE COMPRESSIVE STRENGTH TO BE A MINIMUM 3,000 PSI AT 28 DAYS, UNLESS NOTED OTHERWISE.
- NORMAL-WEIGHT CONCRETE SHALL HAVE A MAXIMUM UNIT WEIGHT OF 145 POUNDS PER CUBIC FOOT (PCF), UNLESS NOTED OTHERWISE.
- REINFORCING STEEL SHALL BE DEFORMED STEEL CONFORMING TO ASTM A615, GRADE 60, INCLUDING TIES AND STIRRUPS.
- MINIMUM CONCRETE COVER SHALL BE AS FOLLOWS, UNLESS NOTED OTHERWISE:
 - Unformed surfaces in contact with ground: 3"
 - Formed surfaces exposed to earth or weather: 2"
 - Formed surfaces not exposed to earth or weather: 1 1/2"
- REFER TO ARCHITECTURAL DRAWINGS FOR CONCRETE FINISHES. WHERE THE FINISH IS NOT SPECIFIED, CONFORM TO REQUIREMENTS OF ACI 301.
- PLUMBING, MECHANICAL, AND ELECTRICAL (PME) DRAWINGS SHALL BE REFERRED TO FOR DRAINS, SLEEVES, OUTLET BOXES, CONDUIT, ANCHORS, ETC. THE VARIOUS TRADES ARE RESPONSIBLE FOR PLACING THEIR RESPECTIVE ITEMS.
- MATERIALS USED TO PRODUCE CONCRETE SHALL COMPLY WITH THE APPLICABLE STANDARDS LISTED IN AMERICAN CONCRETE INSTITUTE STANDARD ACI 318 OR ASTM C1119.
- CONCRETE SUBJECT TO MODERATE OR SEVERE WEATHERING PROBABILITY SHALL BE AIR-ENTRAINED WHEN REQUIRED BY THE APPLICABLE CODE.
- WITH CLASS 1 SOILS, VAPOR BARRIER AND CRUSHED STONE MAY BE OMITTED.

STRUCTURAL MASONRY

- COMPRESSIVE STRENGTH OF CONCRETE MASONRY UNITS (CMU) SHALL BE 1,900 PSI ON NET AREA.
- MORTAR SHALL BE TYPE S AND COMPLY WITH ASTM INTERNATIONAL STANDARD C270.
- COMPRESSIVE STRENGTH OF MORTAR SHALL BE 1,800 PSI AT 28 DAYS.
- COMPRESSIVE STRENGTH OF MASONRY ASSEMBLAGE SHALL BE 1,500 PSI ON NET AREA.
- CONCRETE MASONRY UNITS (CMU) SHALL CONFORM TO AMERICAN CONCRETE INSTITUTE PUBLICATION 530: *BUILDING CODE REQUIREMENTS AND SPECIFICATIONS FOR MASONRY STRUCTURES AND COMPANION COMMENTARIES* AND THE MASONRY SOCIETY PUBLICATION TMS 402/602: *BUILDING CODE REQUIREMENTS AND SPECIFICATIONS FOR MASONRY STRUCTURES*.

STRUCTURAL STEEL

- STRUCTURAL STEEL WIDE-FLANGE SHAPES SHALL CONFORM TO ASTM A992. Fy = 50 KSI, UNLESS NOTED OTHERWISE.
- ALL STRUCTURAL STEEL TUBE SHAPES SHALL CONFORM TO ASTM A500, GRADE B, Fy = 46 KSI, UNLESS NOTED OTHERWISE.
- ALL STRUCTURAL STEEL PIPE SHAPES SHALL CONFORM TO ASTM A53, TYPE E OR S, GRADE B, Fy = 36 KSI, UNLESS NOTED OTHERWISE.
- ALL MISCELLANEOUS STRUCTURAL STEEL SHALL CONFORM TO ASTM A36, Fy = 36 KSI, UNLESS NOTED OTHERWISE.
- ARCHITECTURALLY EXPOSED STRUCTURAL STEEL SHALL CONFORM TO *AISC CODE OF STANDARD PRACTICE*, SECTION 10.
- BOLTS FOR BOLTED CONNECTIONS SHALL BE 3/4" DIAMETER, ASTM A325, TYPE N, SNUG TIGHT, UNLESS NOTED OTHERWISE.
- FABRICATOR SHALL DESIGN BEAM CONNECTIONS PER LOADS PROVIDED IN *AISC UNIFORM LOAD TABLES*, UNLESS NOTED OTHERWISE.
- ALL BEAMS AND GIRDERS SHALL HAVE THEIR ROLLING CAMBER PLACED UP.
- NO CHANGE IN SIZE OR POSITION OF THE STRUCTURAL MEMBERS SHALL BE MADE WITHOUT THE WRITTEN APPROVAL OF THE ENGINEER-OF-RECORD. HOLES, SLOTS, CUTS, ETC. ARE NOT PERMITTED THROUGH ANY MEMBER UNLESS THEY ARE DETAILED ON THE APPROVED SHOP DRAWINGS.
- SPlicing OF STRUCTURAL STEEL MEMBERS, WHERE NOT DETAILED, IS PROHIBITED WITHOUT WRITTEN APPROVAL OF THE ENGINEER-OF-RECORD.
- ANCHOR BOLTS SHALL CONFORM TO ASTM F1554, UNLESS NOTED OTHERWISE.
- NO FINAL BOLTING OR WELDING SHALL BE DONE UNTIL AS MUCH OF THE STRUCTURE AS WILL BE STIFFENED THEREBY HAS BEEN PROPERLY ALIGNED.
- INDICATED MODEL NUMBERS FOR ALL METAL HANGERS, STRAPS, FRAMING CONNECTORS, AND HOLD-DOWNS ARE SIMPSON STRONG-TIE BRAND. EQUIVALENT USP BRAND PRODUCTS ARE ACCEPTABLE.
- ALL STEEL BEAMS TO BE SUPPORTED AT EACH END WITH A MIN BEARING LENGTH OF 3 1/2" AND FULL FLANGE WIDTH. BEAMS MUST BE ATTACHED AT EACH END WITH A MINIMUM OF FOUR 16d NAILS OR TWO 1/2" x 4" LAG SCREWS, UNO.

STRUCTURAL WOOD

- ALL STRUCTURAL WOOD SHALL HAVE A MAXIMUM MOISTURE CONTENT OF 19%, UNLESS NOTED OTHERWISE.
- INTERIOR / TRIMMED FRAMING LUMBER SHALL BE #2 SPRUCE-PINE-FIR (SPF) WITH THE FOLLOWING DESIGN PROPERTIES (#2 SOUTHERN YELLOW PINE MAY BE SUBSTITUTED):

Fb = 875 PSI Fv = 70 PSI E = 1.4E6 PSI
- FRAMING LUMBER EXPOSED TO WEATHER OR IN CONTACT WITH THE GROUND, CONCRETE, OR MASONRY SHALL BE PRESSURE TREATED #2 SOUTHERN YELLOW PINE (SYP) WITH THE FOLLOWING DESIGN PROPERTIES:

Fb = 975 PSI Fv = 95 PSI E = 1.6E6 PSI
- LVL STRUCTURAL MEMBERS TO BE LAMINATED VENEER LUMBER WITH THE FOLLOWING MINIMUM DESIGN PROPERTIES:


Fb = 2600 PSI Fv = 285 PSI E = 1.9E6 PSI
- PSL STRUCTURAL MEMBERS TO BE PARALLEL STRAND LUMBER WITH THE FOLLOWING MINIMUM DESIGN PROPERTIES:

Fb = 2900 PSI Fv = 290 PSI E = 2.0E6 PSI
- LSL STRUCTURAL MEMBERS TO BE LAMINATED STRAND LUMBER WITH THE FOLLOWING MINIMUM DESIGN PROPERTIES:

Fb = 2250 PSI Fv = 400 PSI E = 1.55E6 PSI
- REFER TO I-JOIST EQUIVALENCE CHART ON I-JOIST DETAIL SHEET FOR SUBSTITUTION OF MANUFACTURER SERIES.
- ALL BEARING HEADERS TO BE (2) 2x6 SUPPORTED W/ MIN (1) JACK STUD AND (1) KING STUD EACH END, UNO.
- ALL NON-BEARING HEADERS TO BE (2) 2x4, UNO.
- NON-BEARING INTERIOR WALLS NOT MORE THAN 10' NOMINAL HEIGHT AND NOT SHOWN AS BRACED WALLS MAY BE FRAMED WITH 2x4 STUDS @ 24" OC.
- SOLID BLOCKING TO BE PROVIDED AT ALL POINT LOADS THROUGH FLOOR LEVELS TO THE FOUNDATION OR TO OTHER STRUCTURAL COMPONENTS.
- ALL BEAMS SPECIFIED ARE MINIMUM SIZES ONLY. LARGER MEMBERS MAY SUBSTITUTED AS NEEDED FOR EASE OF CONSTRUCTION.
- FACE OF WALL FRAMING TO BE FLUSH WITH FACE OF FOUNDATION WALLS, UNLESS NOTED OTHERWISE.
- ALL ENGINEERED WOOD PRODUCTS (LVL, PSL, LSL, ETC.) SHALL BE INSTALLED WITH CONNECTIONS PER MANUFACTURER SPECIFICATIONS.
- ENGINEERED WOOD FLOOR SYSTEMS AND ROOF TRUSS SYSTEMS:
 - SHOP DRAWINGS FOR THE SYSTEMS SHALL BE PROVIDED TO THE ENGINEER OF RECORD FOR REVIEW AND COORDINATION BEFORE CONSTRUCTION.
 - TRUSS PROFILES SHALL BE SEALED BY THE TRUSS MANUFACTURER.
 - INSTALLATION OF THE SYSTEMS SHALL BE PER MANUFACTURER'S INSTRUCTIONS.
 - TRUSS LAYOUT AND PLACEMENT BY MANUFACTURER TO COINCIDE WITH THE SUPPORT LOCATIONS SHOWN IN THESE DRAWINGS.
- ALL BEAMS TO BE CONTINUOUSLY SUPPORTED Laterally AND SHALL BEAR FULL WIDTH ON THE SUPPORTING WALLS OR COLUMNS INDICATED, WITH A MINIMUM OF THREE STUDS, UNO.
- WHEN A 4-PLY LVL BEAM IS USED, ATTACH WITH (1) 1/2" DIAMETER BOLT, 12" OC, STAGGERED TOP AND BOTTOM, 1 1/2" MIN FROM ENDS. ALTERNATE EQUIVALENT ATTACHMENT METHOD MAY BE USED, SUCH AS SDS, SDW, OR TRUSSLOK SCREWS (SEE MANUFACTURER SPECIFICATIONS).
- FOR STUD COLUMNS OF 4-OR-MORE STUDS, INSTALL SIMPSON STRONG-TIE CS16 STRAPS ACROSS STUDS @ 30" OC, 6" MAX FROM PLATES, ON INSIDE FACE OF COLUMN (EXTERIOR WALL), ON BOTH FACES OF COLUMN (INTERIOR WALL).
- FLOOR JOISTS ADJACENT AND PARALLEL TO THE EXTERIOR FOUNDATION WALL SHALL BE PROVIDED WITH FULL-DEPTH SOLID BLOCKING, NOT LESS THAN TWO (2) INCHES NOMINAL IN THICKNESS, PLACED PERPENDICULAR TO THE JOIST AT SPACING NOT MORE THAN FOUR (4) FEET. THE BLOCKING SHALL BE NAILED TO THE FLOOR SHEATHING, THE SILL PLATE, THE JOIST, AND THE EXTERIOR RIM JOIST / BOARD.
- PER SECTION 1604 OF THE APPLICABLE CODE (SEE TITLE SHEET), ANCHORAGE OF THE ROOF TO WALLS AND COLUMNS, AND OF WALLS AND COLUMNS TO FOUNDATIONS TO RESIST UPLIFT AND SLIDING FORCES, SHALL BE PROVIDED. REQUIREMENTS OF THE STRUCTURAL DRAWINGS THAT EXCEED THE CODE MINIMUM SHALL BE MET.

ROOF SYSTEMS

TRUSSED ROOF - STRUCTURAL NOTES

- FABRICATION AND ERECTION OF WOOD TRUSSES SHALL BE PER THE LATEST EDITION OF THE AMERICAN FOREST AND PAPER ASSOCIATION PUBLICATION *NATIONAL DESIGN SPECIFICATION FOR WOOD CONSTRUCTION*, AND ANSI/TPI 1.
- PROVIDE CONTINUOUS BLOCKING THROUGH STRUCTURE FOR ALL POINT LOADS.
-  DENOTES OVER-FRAMED AREA
- MINIMUM 7/16" OSB ROOF SHEATHING
- TRUSS LAYOUT AND PLACEMENT BY MANUFACTURER TO COINCIDE WITH THE SUPPORT LOCATIONS SHOWN. TRUSS PLANS TO BE COORDINATED WITH THE SEALED STRUCTURAL DRAWINGS. INSTALLATION SHALL BE IN ACCORDANCE WITH THE MANUFACTURER'S INSTRUCTIONS.
- TRUSS MANUFACTURER SHALL FURNISH SHOP DRAWINGS AND DESIGN CALCULATIONS PREPARED BY A PROFESSIONAL ENGINEER. SHOP DRAWINGS SHALL INDICATE TRUSS END REACTIONS FOR CONNECTION VERIFICATION BY ENGINEER-OF-RECORD.
- MANUFACTURER TO PROVIDE REQUIRED UPLIFT CONNECTION.
- PROVIDE H2.5A (MINIMUM) OR EQUIVALENT AT EACH TRUSS-TO-TOP PLATE CONNECTION AT OVER-FRAMED AREAS, UNLESS NOTED OTHERWISE.
- UPLIFT CONNECTION TO BE CARRIED THROUGH TO FLOOR SYSTEM.
- WOOD MEMBERS SHALL NOT BE CUT FOR PLUMBING OR WIRING UNLESS DETAILED ON THE APPROVED SHOP DRAWINGS.

FASTENER SCHEDULE

CONNECTION	3" x 0.131" NAIL	3" x 0.120" NAIL
JOIST TO SILL PLATE	(4) TOE NAILS	(4) TOE NAILS
SOLE PLATE TO JOIST / BLOCKING	NAILS @ 8" OC (typical) (4) PER 16" SPACE (at braced panels)	NAILS @ 8" OC (typical) (4) PER 16" SPACE (at braced panels)
STUD TO SOLE PLATE	(4) TOE NAILS	(4) TOE NAILS
TOP OR SOLE PLATE TO STUD	(3) FACE NAILS	(4) FACE NAILS
RIM JOIST OR BAND JOIST TO TOP PLATE OR SILL PLATE	TOE NAILS @ 6" OC	TOE NAILS @ 4" OC
BLOCKING BETWEEN JOISTS TO TOP PLATE OR SILL PLATE	(4) TOE NAILS	(4) TOE NAILS
DOUBLE STUD	NAILS @ 8" OC	NAILS @ 8" OC
DOUBLE TOP PLATES	NAILS @ 12" OC	NAILS @ 12" OC
DOUBLE TOP PLATES LAP (24" MIN LAP LENGTH)	(12) NAILS IN LAPPED AREA, EA SIDE OF JOINT	(12) NAILS IN LAPPED AREA, EA SIDE OF JOINT
TOP PLATE LAP AT CORNERS AND INTERSECTING WALLS	(3) FACE NAILS	(3) FACE NAILS
OPEN-WEB TRUSS BOTTOM CHORD TO TOP PLATES OR SILL PLATE (PARALLEL TO WALL)	NAILS @ 6" OC	NAILS @ 4" OC
BOTTOM CHORD OF TRUSS TO TOP PLATES OR SILL PLATE (PERPENDICULAR TO WALL)	(3) TOE NAILS	(3) TOE NAILS

DETAILS AND NOTES ON DRAWINGS GOVERN.



P-0961

JDS Consulting
ENGINEERING • DESIGN • ENERGY

JDS Consulting PLLC, 8600 PD JERSEY CT, RALEIGH, NC 27617 919.480.1075
INFO@JDSCONSULTING.NET WWW.JDSCONSULTING.NET

JDS Consulting PLLC IS NOT LIABLE FOR CHANGES MADE TO PLANS DUE TO CONSTRUCTION METHODS OR ANY CHANGES TO PLANS MADE IN THE FIELD. THE LOT NUMBER, PROPERTY, OR AS A MASTER PLAN AS SPECIFIED ON TITLE SHEET. DIMENSIONS SHALL GOVERN OVER SCALE, AND CODE SHALL GOVERN OVER DIMENSIONS ON DRAWINGS.

CLIENT: **MATTAMY HOMES**

PROJECT: **PROVINCE CREEK AMENITY CENTER & POOL**

LOCATION: **196 PROVIDENCE CREEK DRIVE, FUQUAY-VARINA, NC 27526**

SCALE: 1/4" = 1'-0" FOR 24x36 PAPER, NOT TO SCALE FOR 11x17 PAPER, OR AS NOTED

PROJECT NO.: **23900139**

DATE: **05/02/2023** DRAWN BY: **FAB**

GENERAL NOTES

GN1.0

**2018 APPENDIX B
BUILDING CODE SUMMARY FOR ALL COMMERCIAL PROJECTS
(EXCEPT 1 AND 2-FAMILY DWELLINGS AND TOWNHOUSES)**

(Reproduce the following data on the building plans sheet 1 or 2)

Name of Project: PROVIDENCE CREEK DRIVE
 Address: 196 PROVIDENCE CREEK DRIVE, FUQUAY-VARINA, NC 27526 Zip Code 27526
 Owner/Authorized Agent: JDS CONSULTING Phone # (919) 675 - 8619 E-Mail TCALABRO@JDSCONSULTING.NET
 Owned By: City/County Private State
 Code Enforcement Jurisdiction: City FUQUAY-VARINA County State

CONTACT:

DESIGNER	FIRM	NAME	LICENSE #	TELEPHONE #	E-MAIL
Architectural	JDS Consulting	CHARLES E. TEAL	045403	(919) 280-2023	CTEAL@JDSCONSULTING.NET
Civil					
Electrical	JDS Consulting	CHARLES E. TEAL	045403	(919) 280-2023	CTEAL@JDSCONSULTING.NET
Fire Alarm					
Plumbing	JDS Consulting	CHARLES E. TEAL	045403	(919) 280-2023	CTEAL@JDSCONSULTING.NET
Mechanical	JDS Consulting	CHARLES E. TEAL	045403	(919) 280-2023	CTEAL@JDSCONSULTING.NET
Sprinkler-Standpipe					
Structural	JDS Consulting	CHARLES E. TEAL	045403	(919) 280-2023	CTEAL@JDSCONSULTING.NET
Retaining Walls >5' High					
Other					

(*Other* should include firms and individuals such as truss, precast, pre-engineered, interior designers, etc.)

2018 NC BUILDING CODE: New Building Addition Renovation
 1st Time Interior Completion
 Shell/Core - Contact the local inspection jurisdiction for possible additional procedures and requirements
 Phased Construction - Shell/Core- Contact the local inspection jurisdiction for possible additional procedures and requirements

2018 NC EXISTING BUILDING CODE: EXISTING: Prescriptive Repair Chapter 14
 Alteration: Level I Level II Level III
 Historic Property Change of Use

CONSTRUCTED: (date) _____ **CURRENT OCCUPANCY(S)** (Ch. 3): _____
RENOVATED: (date) _____ **PROPOSED OCCUPANCY(S)** (Ch. 3): _____

RISK CATEGORY (Table 1604.5): **Current:** I II III IV
Proposed: I II III IV

BASIC BUILDING DATA

Construction Type: I-A II-A III-A IV V-A
 I-B II-B III-B V-B
 (check all that apply)

Sprinklers: No Partial Yes NFPA 13 NFPA 13R NFPA 13D

Standpipes: No Yes Class I II III Wet Dry

Fire District: No Yes **Flood Hazard Area:** No Yes

Special Inspections Required: No Yes (Contact the local inspection jurisdiction for additional procedures and requirements.)

Gross Building Area Table

FLOOR	EXISTING (SQ FT)	NEW (SQ FT)	SUB-TOTAL
3 rd Floor			
2 nd Floor			
Mezzanine			
1 st Floor		931 SQ. FT.	
Basement			
TOTAL		931 SQ. FT.	

ALLOWABLE AREA

Primary Occupancy Classification(s):

- Assembly A-1 A-2 A-3 A-4 A-5
 Business
 Educational
 Factory F-1 Moderate F-2 Low
 Hazardous H-1 Detonate H-2 Deflagrate H-3 Combust H-4 Health H-5 HPM
 Institutional I-1 Condition 1 2
 I-2 Condition 1 2
 I-3 Condition 1 2 3 4 5
 I-4
 Mercantile
 Residential R-1 R-2 R-3 R-4
 Storage S-1 Moderate S-2 Low High-piled
 Parking Garage Open Enclosed Repair Garage
 Utility and Miscellaneous

Accessory Occupancy Classification(s): N/A

Incidental Uses (Table 509): N/A

Special Uses (Chapter 4 – List Code Sections): N/A

Special Provisions: (Chapter 5 – List Code Sections): N/A

Mixed Occupancy: No Yes Separation: _____ Hr. Exception: _____

Non-Separated Use (508.3) - The required type of construction for the building shall be determined by applying the height and area limitations for each of the applicable occupancies to the entire building. The most restrictive type of construction, so determined, shall apply to the entire building.

Separated Use (508.4) - See below for area calculations for each story, the area of the occupancy shall be such that the sum of the ratios of the actual floor area of each use divided by the allowable floor area for each use shall not exceed 1.

$$\frac{\text{Actual Area of Occupancy A}}{\text{Allowable Area of Occupancy A}} + \frac{\text{Actual Area of Occupancy B}}{\text{Allowable Area of Occupancy B}} \leq 1$$

$$+ \dots = \dots \leq 1.00$$

STORY NO.	DESCRIPTION AND USE	(A) BLDG AREA PER STORY (ACTUAL)	(B) TABLE 506.2 ⁴ AREA	(C) AREA FOR FRONTAGE INCREASE ^{1,5}	(D) ALLOWABLE AREA PER STORY OR UNLIMITED ^{2,3}
1ST	MECH/RR	931 SQ. FT.	UNLIMITED	N/A	UNLIMITED

- ¹ Frontage area increases from Section 506.3 are computed thus:
 a. Perimeter which fronts a public way or open space having 20 feet minimum width = _____ (F)
 b. Total Building Perimeter = _____ (P)
 c. Ratio (F/P) = _____ (F/P)
 d. W = Minimum width of public way = _____ (W)
 e. Percent of frontage increase $I_f = 100[F/P - 0.25] \times W/30 =$ _____ (%)

² Unlimited area applicable under conditions of Section 507.

³ Maximum Building Area = total number of stories in the building x D (maximum 3 stories) (506.2).

⁴ The maximum area of open parking garages must comply with Table 406.5.4.

⁵ Frontage increase is based on the unsprinklered area value in Table 506.2.

ALLOWABLE HEIGHT

	ALLOWABLE	SHOWN ON PLANS	CODE REFERENCE ¹
Building Height in Feet (Table 504.3) ²	40	14	
Building Height in Stories (Table 504.4) ³	1	1	

¹ Provide code reference if the "Shown on Plans" quantity is not based on Table 504.3 or 504.4.

² The maximum height of air traffic control towers must comply with Table 412.3.1.

³ The maximum height of open parking garages must comply with Table 406.5.4.

FIRE PROTECTION REQUIREMENTS

BUILDING ELEMENT	FIRE SEPARATION DISTANCE (FEET)	REQ'D	RATING		DETAIL # AND SHEET #	DESIGN # FOR RATED ASSEMBLY	SHEET # FOR RATED PENETRATION	SHEET # FOR RATED JOINTS
			PROVIDED (W/ REDUCTION) *					
Structural Frame, including columns, girders, trusses	N/A	0 HR						
Bearing Walls								
Exterior								
North	>30	0 HR						
East	>30	0 HR						
West	>30	0 HR						
South	>30	0 HR						
Interior	>30	0 HR						
Nonbearing Walls and Partitions								
Exterior walls								
North	>30	0 HR						
East	>30	0 HR						
West	>30	0 HR						
South	>30	0 HR						
Interior walls and partitions	>30	0 HR						
Floor Construction								
Including supporting beams and joists		0 HR						
Floor Ceiling Assembly		0 HR						
Columns Supporting Floors		0 HR						
Roof Construction, including supporting beams and joists		0 HR						
Roof Ceiling Assembly		0 HR						
Columns Supporting Roof		0 HR						
Shaft Enclosures - Exit	N/A							
Shaft Enclosures - Other	N/A							
Corridor Separation	N/A							
Occupancy/Fire Barrier Separation	N/A							
Party/Fire Wall Separation	N/A							
Smoke Barrier Separation	N/A							
Smoke Partition	N/A							
Tenant/Dwelling Unit/Sleeping Unit Separation	N/A							
Incidental Use Separation	N/A							

* Indicate section number permitting reduction

PERCENTAGE OF WALL OPENING CALCULATIONS

FIRE SEPARATION DISTANCE (FEET) FROM PROPERTY LINES	DEGREE OF OPENINGS PROTECTION (TABLE 705.8)	ALLOWABLE AREA (%)	ACTUAL SHOWN ON PLANS (%)
30			

LIFE SAFETY SYSTEM REQUIREMENTS

- Emergency Lighting: No Yes
 Exit Signs: No Yes
 Fire Alarm: No Yes
 Smoke Detection Systems: No Yes Partial _____
 Carbon Monoxide Detection: No Yes

LIFE SAFETY PLAN REQUIREMENTS

Life Safety Plan Sheet #: 62.1

- Fire and/or smoke rated wall locations (Chapter 7)
 Assumed and real property line locations (if not on the site plan)
 Exterior wall opening area with respect to distance to assumed property lines (705.8)
 Occupancy Use for each area as it relates to occupant load calculation (Table 1004.1.2)
 Occupant loads for each area
 Exit access travel distances (1017)
 Common path of travel distances (Tables 1006.2.1 & 1006.3.2(1))
 Dead end lengths (1020.4)
 Clear exit widths for each exit door
 Maximum calculated occupant load capacity each exit door can accommodate based on egress width (1005.3)
 Actual occupant load for each exit door
 A separate schematic plan indicating where fire rated floor/ceiling and/or roof structure is provided for purposes of occupancy separation
 Location of doors with panic hardware (1010.1.10)
 Location of doors with delayed egress locks and the amount of delay (1010.1.9.7)
 Location of doors with electromagnetic egress locks (1010.1.9.9)
 Location of doors equipped with hold-open devices
 Location of emergency escape windows (1030)
 The square footage of each fire area (202)
 The square footage of each smoke compartment for Occupancy Classification I-2 (407.5)
 Note any code exceptions or table notes that may have been utilized regarding the items above

ACCESSIBLE DWELLING UNITS

(SECTION 1107)

TOTAL UNITS	ACCESSIBLE UNITS REQUIRED	ACCESSIBLE UNITS PROVIDED	TYPE A UNITS REQUIRED	TYPE A UNITS PROVIDED	TYPE B UNITS REQUIRED	TYPE B UNITS PROVIDED	TOTAL ACCESSIBLE UNITS PROVIDED

ACCESSIBLE PARKING

(SECTION 1106)

LOT OR PARKING AREA	TOTAL # OF PARKING SPACES REQUIRED	PROVIDED	REGULAR WITH 5' ACCESS AISLE	# OF ACCESSIBLE SPACES PROVIDED		TOTAL # ACCESSIBLE PROVIDED
				132" ACCESS AISLE	8' ACCESS AISLE	
PARKING LOT	10	20	0	2	2	2
TOTAL	10	20	0	2	2	2

PLUMBING FIXTURE REQUIREMENTS

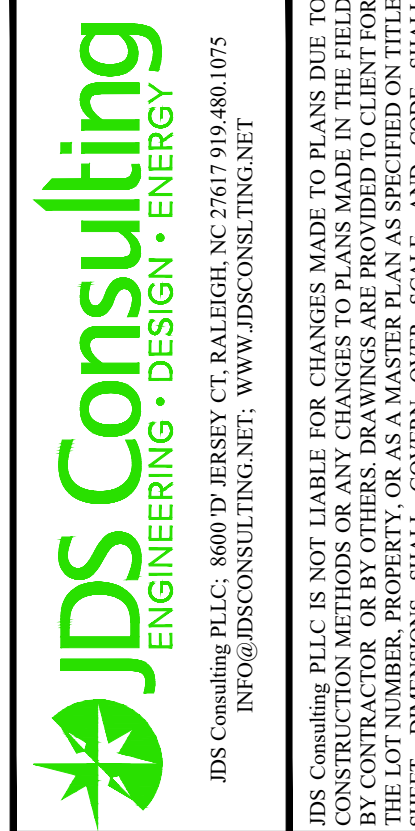
(TABLE 2902.1)

USE	WATERCLOSETS	URINALS	LAVATORIES			SHOWERS /TUBS	DRINKING FOUNTAINS	
			MALE	FEMALE	UNISEX		REGULAR	ACCESSIBLE
SPACE	MALE	FEMALE	UNISEX	MALE	FEMALE	UNISEX	REGULAR	ACCESSIBLE
EXIST'G	0	0	0	N/A	0	0	N/A	0
NEW	1	3	0	1	1	2	0	1
REQ'D	1	2	0	1	1	0	1	1

SPECIAL APPROVALS

Special approval: (Local Jurisdiction, Department of Insurance, OSC, DPI, DHHS, etc., describe below)

HARNETT COUNTY HEALTH DEPARTMENT APPROVAL



MATTAMY HOMES
PROVINCE CREEK AMENITY CENTER & POOL
 196 PROVIDENCE CREEK DRIVE, FUQUAY-VARINA, NC 27526

PROJECT NO: **23900139**

DATE: **05/02/2023** DRAWN BY: **FAB**

CODE SUMMARY

APP.B1

SCALE: 1/4" = 1'-0" FOR 24x36 PAPER, NOT TO SCALE FOR 11x17 PAPER, OR AS NOTED

ENERGY SUMMARY

ENERGY REQUIREMENTS:

The following data shall be considered minimum and any special attribute required to meet the energy code shall also be provided. Each Designer shall furnish the required portions of the project information for the plan data sheet. If performance method, state the annual energy cost for the standard reference design vs annual energy cost for the proposed design.

Existing building envelope complies with code: No Yes (The remainder of this section is not applicable)

Exempt Building: No Yes (Provide code or statutory reference): _____

Climate Zone: 3A 4A 5A

Method of Compliance: Energy Code Performance Prescriptive
 ASHRAE 90.1 Performance Prescriptive
 (If "Other" specify source here) _____

THERMAL ENVELOPE (Prescriptive method only)

Roof/ceiling Assembly (each assembly) FIBERGLASS SHINGLES OVER WOOD SHEATHING

Description of assembly: W/ R42 INSULATION AND 1/2" GWB.
 U-Value of total assembly: 0.22
 R-Value of insulation: R42
 Skylights in each assembly: _____
 U-Value of skylight: _____
 total square footage of skylights in each assembly: _____

Exterior Walls (each assembly) LAP SIDING, RIGID INSULATION, WOOD STUDS,

Description of assembly: BATT INSULATION, 1/2" GWB.
 U-Value of total assembly: 0.045
 R-Value of insulation: R13+R7.5
 Openings (windows or doors with glazing)
 U-Value of assembly: ENTRANCE DOOR, 0.77
 Solar heat gain coefficient: WINDOWS, 0.32
 projection factor: 0.25
 Door R-Values: _____

Walls below grade (each assembly)

Description of assembly: _____
 U-Value of total assembly: _____
 R-Value of insulation: _____

Floors over unconditioned space (each assembly)

Description of assembly: _____
 U-Value of total assembly: _____
 R-Value of insulation: _____

Floors slab on grade

Description of assembly: 4" THICK CONCRETE SLAB OVER 6MIL VAPOR BARRIER OVER 4" CRUSHED STONE BASE OVER COMPACTED EARTH FILL (ON GRADE)
 U-Value of total assembly: 0.730
 R-Value of insulation: R15
 Horizontal/vertical requirement: 24" MIN. CONT. @ PERIMETER
 slab heated: N/A

2018 APPENDIX B

BUILDING CODE SUMMARY FOR ALL COMMERCIAL PROJECTS

STRUCTURAL DESIGN (PROVIDE ON THE STRUCTURAL SHEETS IF APPLICABLE)

DESIGN LOADS:

Importance Factors: Snow (I_s) 1.0
 Seismic (I_e) 1.0

Live Loads: Roof 20 psf
 Mezzanine N/A psf
 Floor 100 psf

Ground Snow Load: 15 psf

Wind Load: Ultimate Wind Speed 116 mph (ASCE-7)
 Exposure Category B

SEISMIC DESIGN CATEGORY: A B C D

Provide the following Seismic Design Parameters:
 Risk Category (Table 1604.5) I II III IV
 Spectral Response Acceleration S_s 0.125 %g S₁ 0.065 %g

Site Classification (ASCE 7) A B C D E F
 Data Source: Field Test Presumptive Historical Data

Basic structural system Bearing Wall Dual w/Special Moment Frame
 Building Frame Dual w/Intermediate R/C or Special Steel
 Moment Frame Inverted Pendulum

Analysis Procedure: Simplified Equivalent Lateral Force Dynamic
 Architectural, Mechanical, Components anchored? Yes No

LATERAL DESIGN CONTROL: Earthquake Wind

SOIL BEARING CAPACITIES:

Field Test (provide copy of test report) _____ psf
 Presumptive Bearing capacity 2000 psf
 Pile size, type, and capacity _____

2018 APPENDIX B

BUILDING CODE SUMMARY FOR ALL COMMERCIAL PROJECTS

MECHANICAL DESIGN (PROVIDE ON THE MECHANICAL SHEETS IF APPLICABLE)

MECHANICAL SUMMARY MECHANICAL SYSTEMS, SERVICE SYSTEMS AND EQUIPMENT

Thermal Zone

winter dry bulb: _____
 summer dry bulb: _____

Interior design conditions

winter dry bulb: _____
 summer dry bulb: _____
 relative humidity: _____

Building heating load: _____

Building cooling load: _____

Mechanical Spacing Conditioning System

Unitary
 description of unit: _____
 heating efficiency: _____
 cooling efficiency: _____
 size category of unit: _____

Boiler
 Size category. If oversized, state reason.: _____

Chiller
 Size category. If oversized, state reason.: _____

List equipment efficiencies: _____

2018 APPENDIX B

BUILDING CODE SUMMARY FOR ALL COMMERCIAL PROJECTS

ELECTRICAL DESIGN (PROVIDE ON THE ELECTRICAL SHEETS IF APPLICABLE)

ELECTRICAL SUMMARY

ELECTRICAL SYSTEM AND EQUIPMENT

Method of Compliance: Energy Code Performance Prescriptive
 ASHRAE 90.1 Performance Prescriptive

Lighting schedule (each fixture type)

lamp type required in fixture
 number of lamps in fixture
 ballast type used in the fixture
 number of ballasts in fixture
 total wattage per fixture
 total interior wattage specified vs. allowed (whole building or space by space)
 total exterior wattage specified vs. allowed

Additional Efficiency Package Options (When using the 2018 NCECC; not required for ASHRAE 90.1)

- C406.2 More Efficient HVAC Equipment Performance
- C406.3 Reduced Lighting Power Density
- C406.4 Enhanced Digital Lighting Controls
- C406.5 On-Site Renewable Energy
- C406.6 Dedicated Outdoor Air System
- C406.7 Reduced Energy Use in Service Water Heating

SEE SHT.E1



P-0961

JDS Consulting
 ENGINEERING • DESIGN • ENERGY

JDS Consulting PLLC, 8600 TP JERSEY CT, RALEIGH, NC 27617 919.480.1075
 INFO@JDSCONSULTING.NET WWW.JDSCONSULTING.NET

JDS Consulting PLLC IS NOT LIABLE FOR CHANGES MADE TO PLANS DUE TO CONSTRUCTION METHODS OR ANY CHANGES TO PLANS MADE IN THE FIELD. THE LOT NUMBER, PROPERTY, OR AS A MASTER PLAN AS SPECIFIED ON TITLE SHEET. DIMENSIONS SHALL GOVERN OVER SCALE, AND CODE SHALL GOVERN OVER DIMENSIONS ON DRAWINGS.

CLIENT: **MATTAMY HOMES**

PROJECT: **PROVINCE CREEK AMENITY CENTER & POOL**

LOCATION: **196 PROVIDENCE CREEK DRIVE, FUQUAY-VARINA, NC 27526**

SCALE: 1/4" = 1'-0" FOR 24x36 PAPER, NOT TO SCALE FOR 11x17 PAPER, OR AS NOTED

PROJECT NO.: **23900139**

DATE: **05/02/2023** DRAWN BY: **FAB**

CODE SUMMARY

APP.B2



P-0961

JDS Consulting
ENGINEERING · DESIGN · ENERGY

JDS Consulting PLLC, 8600 D JERSEY CT, RALEIGH, NC 27617 919.480.1075
INFO@JDSCONSULTING.NET WWW.JDSCONSULTING.NET

JDS Consulting PLLC IS NOT LIABLE FOR CHANGES MADE TO PLANS DUE TO CONSTRUCTION METHODS OR ANY CHANGES TO PLANS MADE IN THE FIELD. THE LOT NUMBER, PROPERTY, OR AS A MASTER PLAN AS SPECIFIED ON TITLE SHEET. DIMENSIONS SHALL GOVERN OVER SCALE, AND CODE SHALL GOVERN OVER DIMENSIONS ON DRAWINGS.

CLIENT: **MATTAMY HOMES**

PROJECT: **PROVIDENCE CREEK AMENITY CENTER & POOL**

LOCATION: **196 PROVIDENCE CREEK DRIVE, FUQUAY-VARINA, NC 27526**

PROJECT NO.: **23900139**

DATE: **05/02/2023** DRAWN BY: **FAB**

FLOOR PLAN, ROOF PLAN, RCP, SCHEDULES

B1.0

GENERAL NOTES

- 01 24" DEEP CONCRETE SUMP WITH 4" THICK WALLS AND FLOOR. COVER WITH 2" THICK FIBERGLASS GRATE. GRATE OPENING IN ON DIRECTION ARE NOT TO BE LESS THAN 1/2". SUPPORT GRATE WITH GALV. 2X2X1/4 ANCHORED TO WALLS WITH 1/2" DIA. X 2" LONG CONCRETE ANCHORS.
- 02 DOORS TO THE CHEMICAL STORAGE ROOM AND EQUIPMENT ROOM SHALL HAVE FLAGCARDS PER NFPA 704 ACCORDING TO THE HAZARDS PRESENT.
- 03 NON-CORROSIVE SHELF, SUPPORTED 16" ABOVE FLOOR ON 8" CMU'S
- 04 IN AREAS WITH FLOOR DRAINS, SLOPE FLOOR TO DRAIN

FINISH SCHEDULE

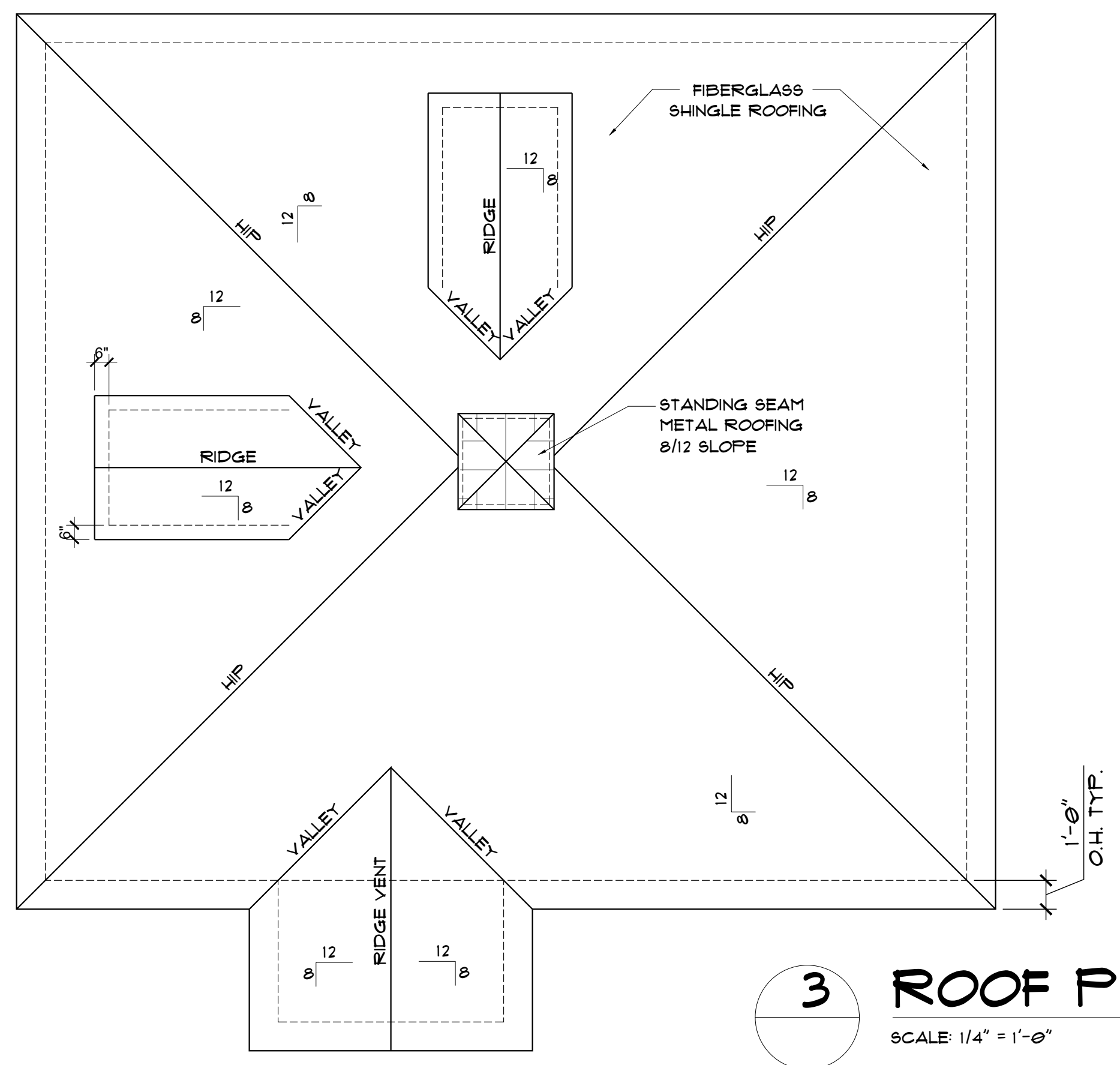
ROOM	WALLS	FLOOR	BASE	CEILING	CEILING HT.
MENS	CERAMIC TILE TO 48" A.F.F. FTD. GWB ABOVE.	CERAMIC TILE	CER. TILE COVE	PAINTED GYP BD	8'-0"
WOMENS	CERAMIC TILE TO 48" A.F.F. FTD. GWB ABOVE.	CERAMIC TILE	CER. TILE COVE	PAINTED GYP BD	8'-0"
PUMP ROOM	PAINTED M.R. GWB	SEALED CONCRETE	4" VINYL COVE	PAINTED M.R. BD	8'-0"
CHEM STORAGE	PAINTED M.R. GWB	SEALED CONCRETE	4" VINYL COVE	PAINTED M.R. BD	8'-0"
SHOWER	VINYL SIDING	SEALED CONCRETE	VINYL TRIM	VINYL SLAT	8'-0"

DOOR AND WINDOW SCHEDULE

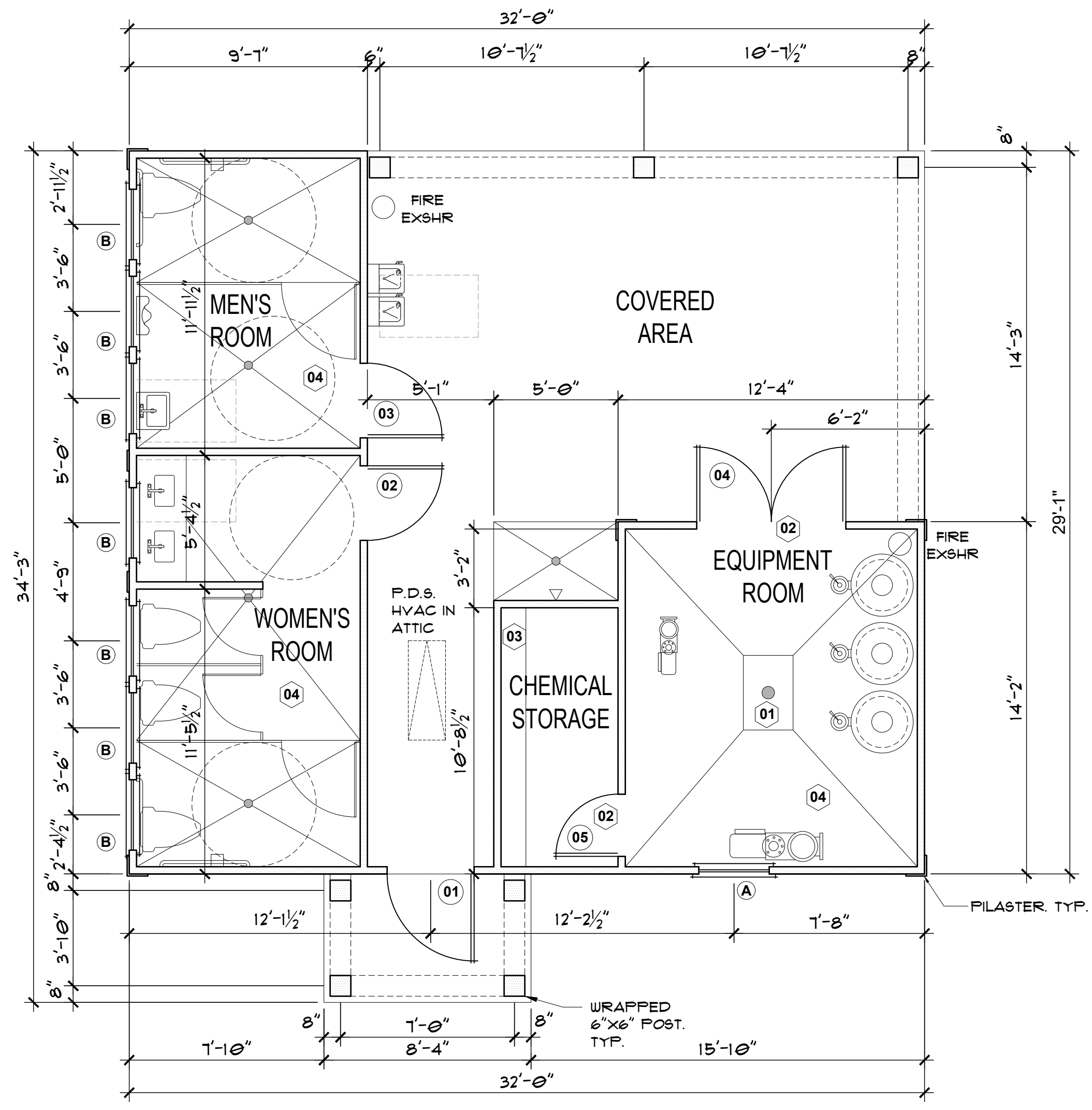
DOOR #	SIZE	TYPE	FRAME TYPE	HARDWARE	COMMENTS
01	3'-6" X 1'-0"	6 PANEL WOOD	HM	02	-
02	2'-6" X 1'-0"	6 PANEL WOOD	HM	01	BOTTOM PANEL TO BE LOUVERED
03	3'-0" X 1'-0"	6 PANEL WOOD	HM	01	BOTTOM PANEL TO BE LOUVERED
04	PAIR 3'-0" X 1'-0"	6 PANEL WOOD	HM	03	FULL LOUVERED DOOR
05	3'-0" X 1'-0"	6 PANEL WOOD	HM	04	BOTTOM PANEL TO BE LOUVERED
WINDOW A	34" X 54"	DOUBLE HUNG	WOOD		ADD OBSCURE GLAZING FILM
WINDOW B	34" X 16"	TRANSOM	WOOD		ADD OBSCURE GLAZING FILM

HARDWARE SETS

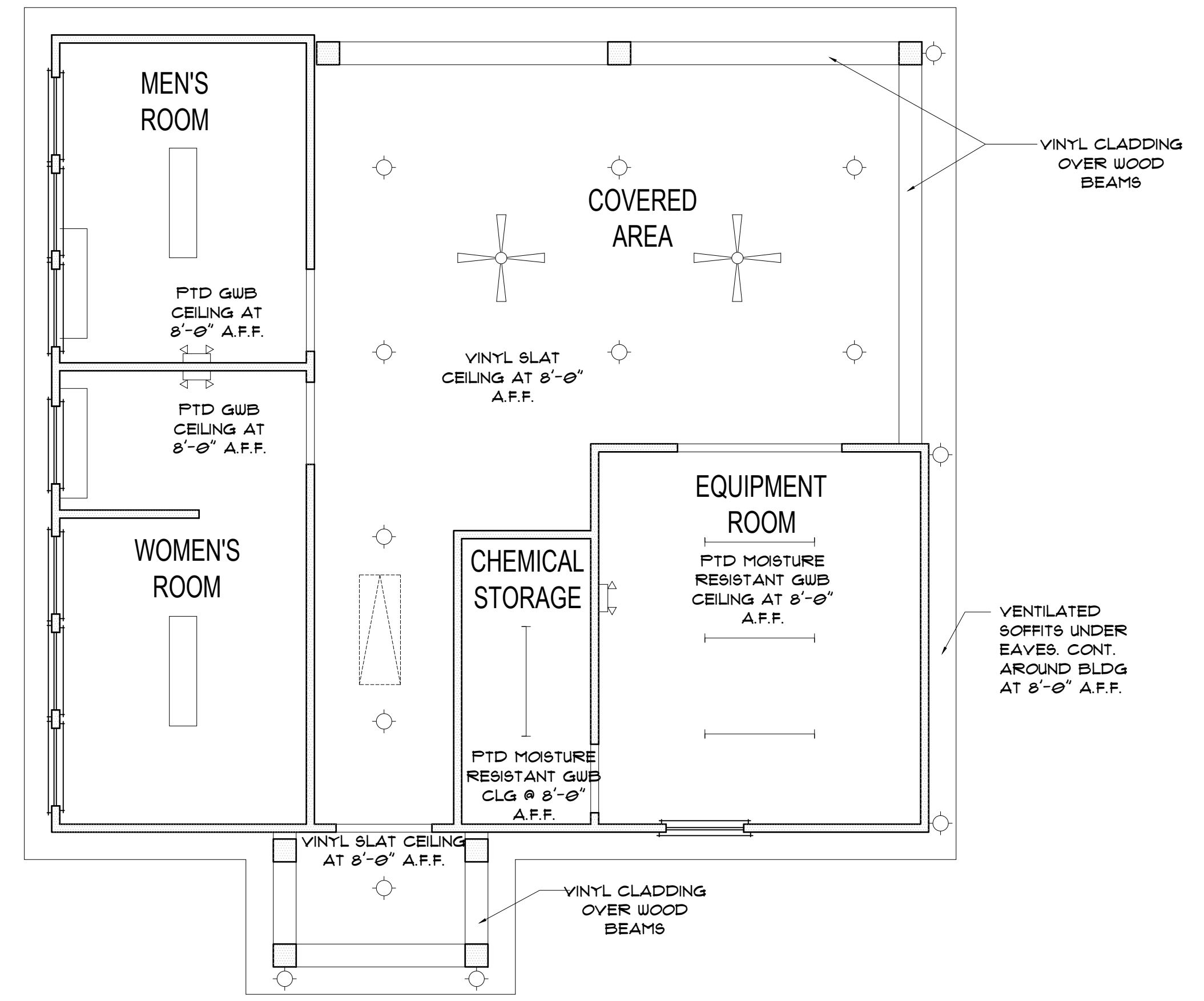
- 01 1 1/2 PR 4 1/2 X 4 1/2 99 BB BUTTS, PUSH PLATE, HC FULL, DEAD BOLT WITH HC LATCH ON INSIDE, CLOSER, THRESHOLD, MUTES AND WEATHERSTRIPPING, FLOOR STOP
- 02 1 1/2 PR 4 1/2 X 4 1/2 99 BB BUTTS, ENTRY DOOR LOCKSET WITH COMBINATION OR CARD READER, PANIC HARDWARE, THRESHOLD, MUTES AND WEATHERSTRIPPING
- 03 NOT USED
- 04 1 1/2 PR 4 1/2 X 4 1/2 99 BB BUTTS, PASSAGE DOOR LOCKSET, CLOSER, MUTES, WALL STOP
- 05 3 PR 4 1/2 X 4 1/2 99 BB BUTTS, PANIC BAR ON ACTIVE LEAF ON PUSH SIDE, ENTRY LOCKSET, TOP AND BOTTOM FLUSH BOLTS WITH SCREWS TO FIX INACTIVE LEAF IN CLOSED POSITION, CLOSERS, THRESHOLD, MUTES AND WEATHERSTRIPPING, FLOOR STOP



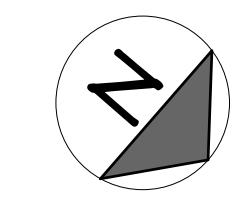
3 ROOF PLAN
SCALE: 1/4" = 1'-0"

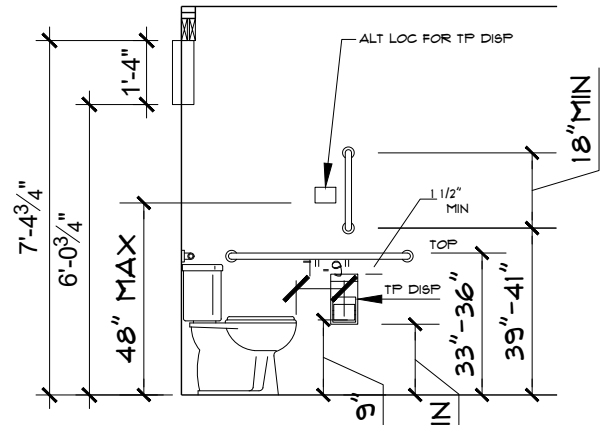


1 FLOOR PLAN
SCALE: 1/4" = 1'-0"

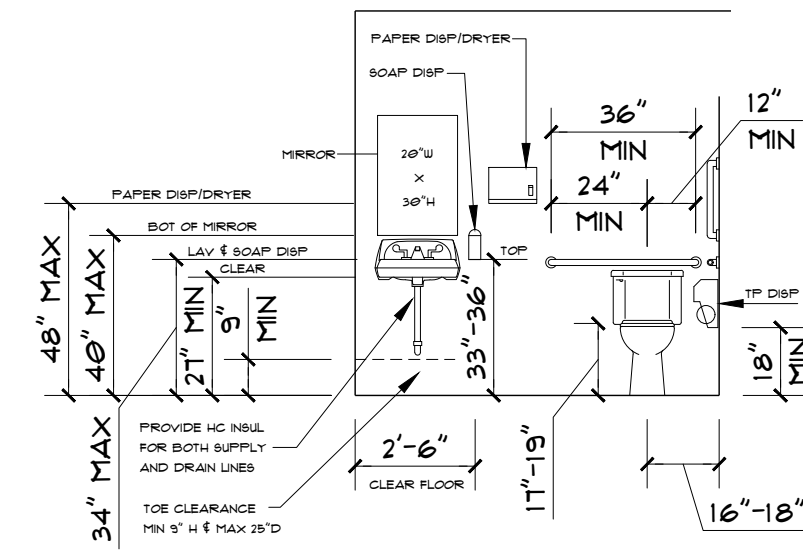


2 REFLECTED CEILING PLAN
SCALE: 1/4" = 1'-0"

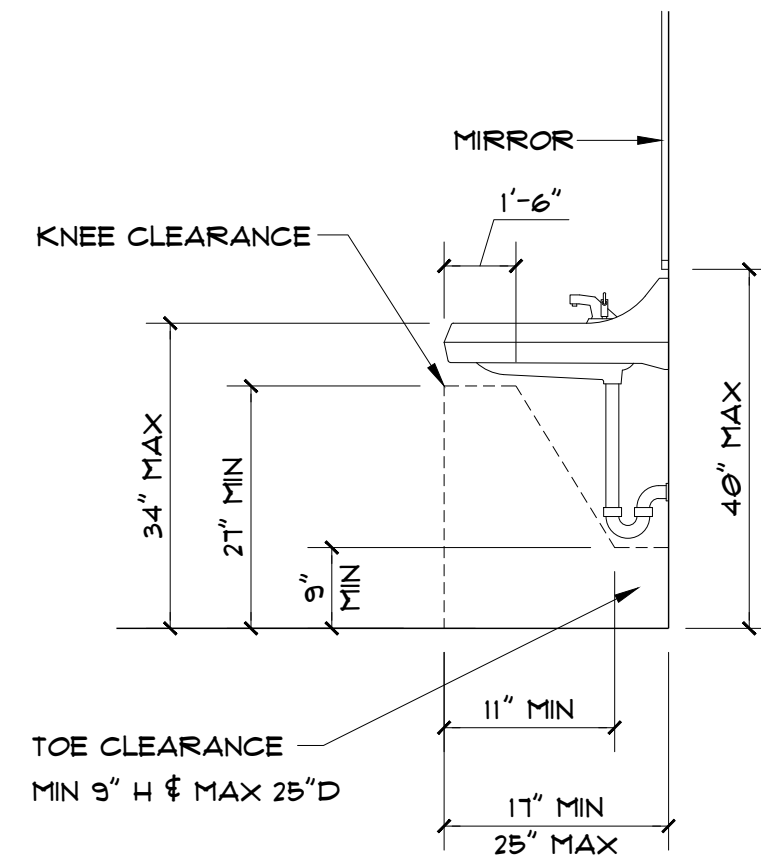




ELEVATION - 5



ELEVATION - 6

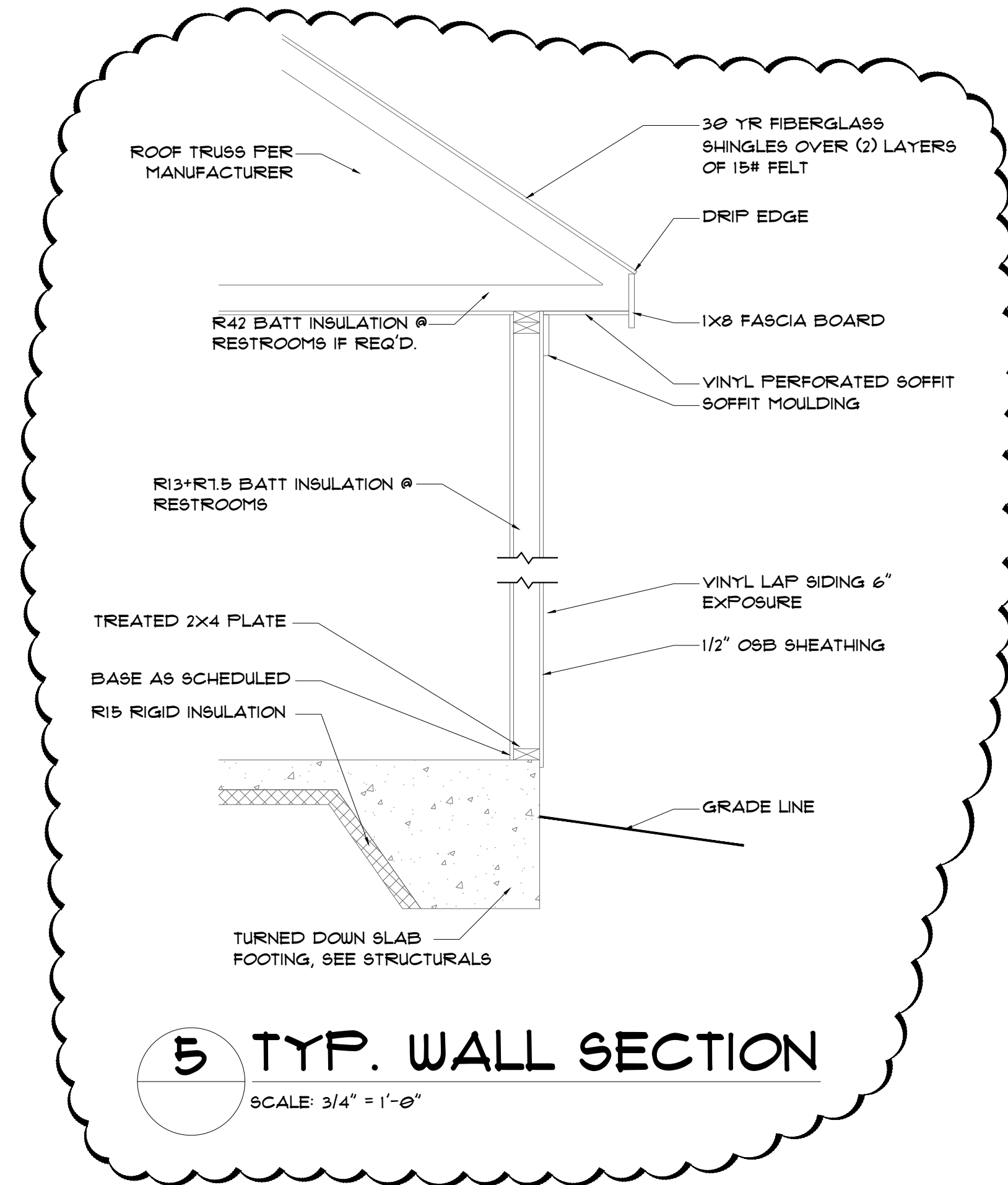


ELEVATION - 7

NOTE: FINISH DIMENSIONS

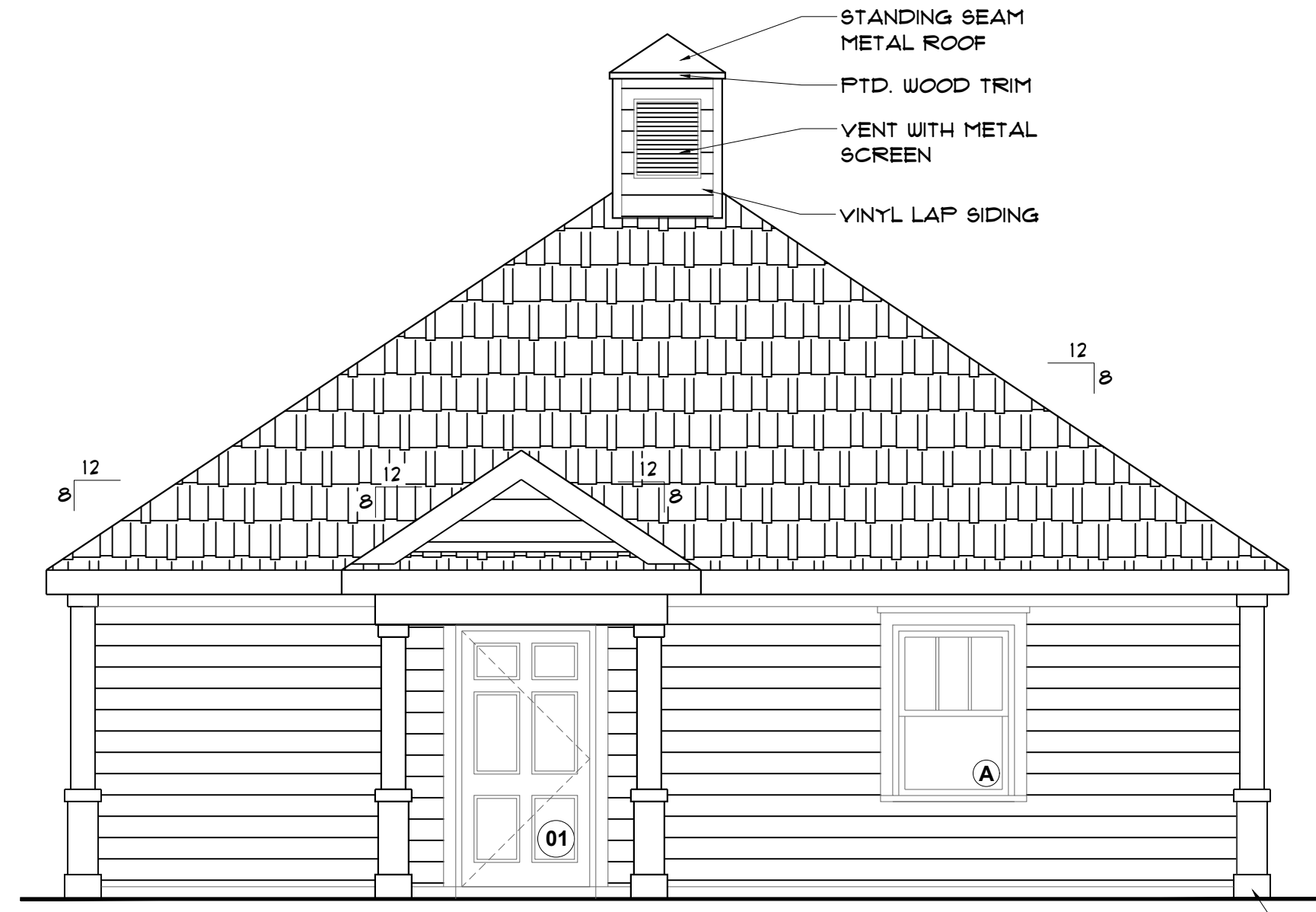
HC RESTROOM ELEVATIONS

SCALE: N.T.S.

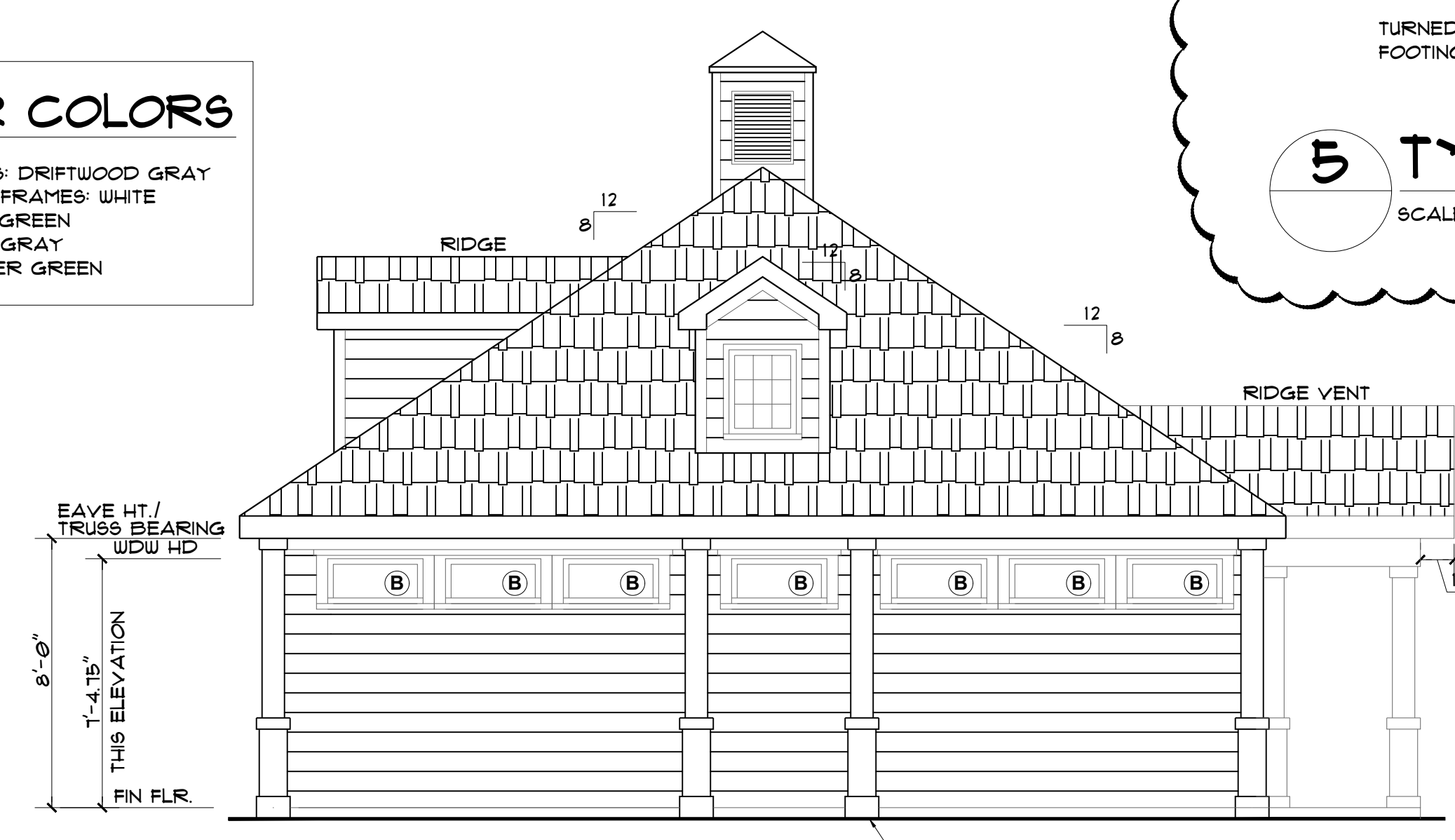


5 TYP. WALL SECTION
SCALE: 3/4" = 1'-0"

EXTERIOR COLORS
SIDING, COLUMN BASES: DRIFTWOOD GRAY
TRIM, WINDOWS, DOOR FRAMES: WHITE
DOOR LEAFS: HUNTER GREEN
SHINGLES: CHARCOAL GRAY
METAL ROOFING: HUNTER GREEN



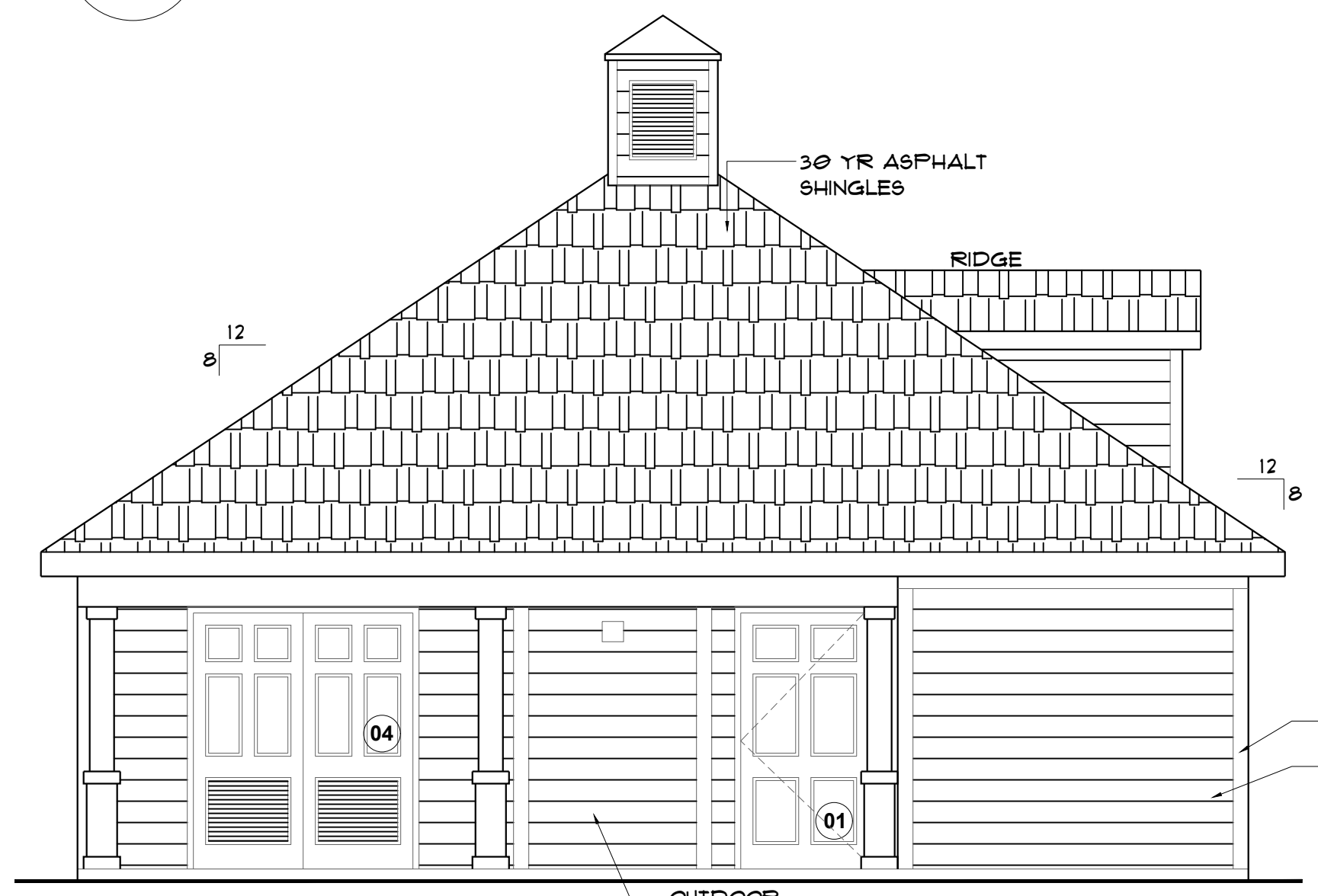
1 WEST ELEVATION
SCALE: 1/4" = 1'-0"



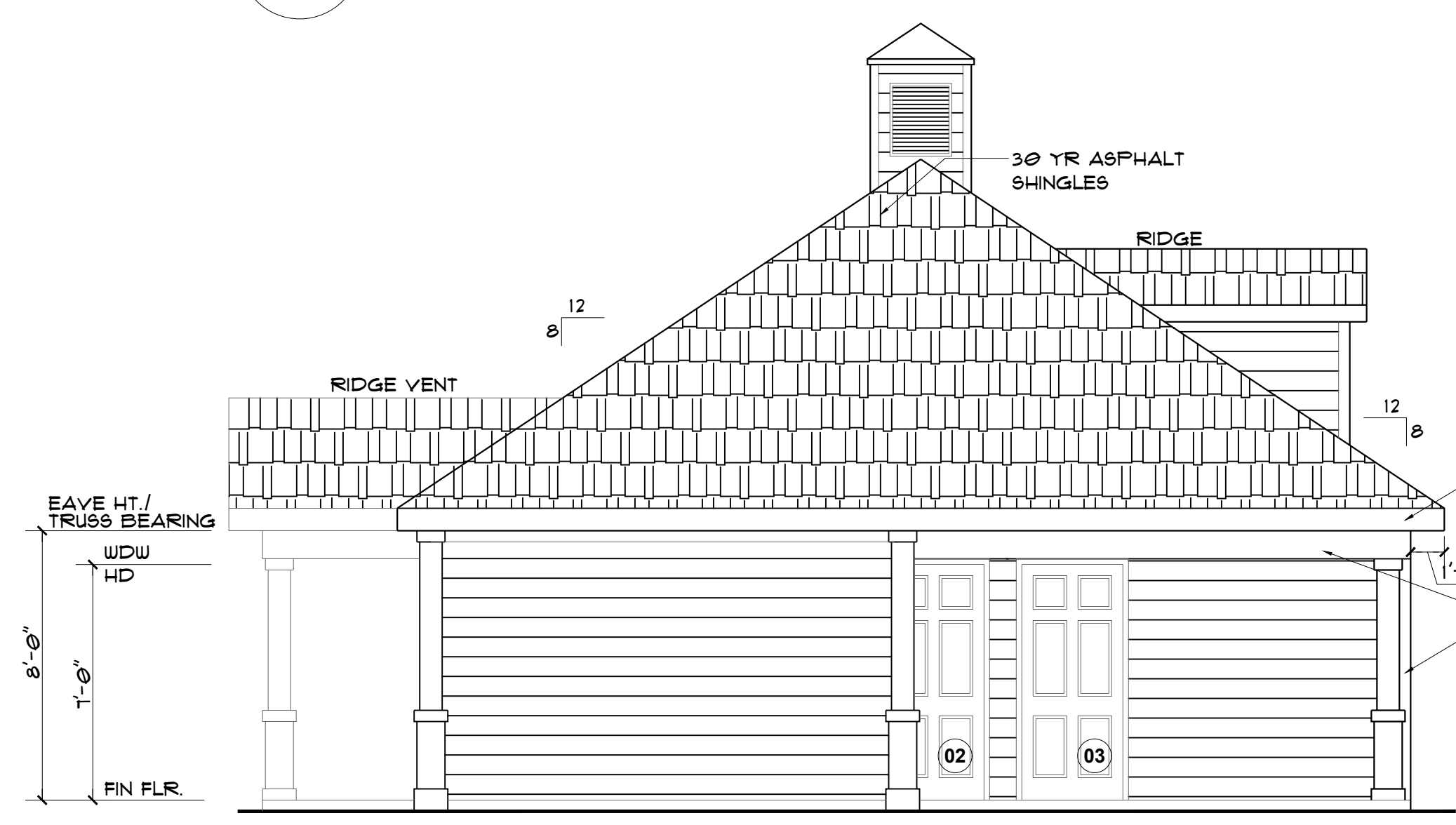
3 SOUTH ELEVATION
SCALE: 1/4" = 1'-0"

232 SF AREA EAST ELEVATION

5.0 SF AREA - WINDOW 1
5.0 SF AREA - WINDOW 2
5.0 SF AREA - WINDOW 3
5.0 SF AREA - WINDOW 4
5.0 SF AREA - WINDOW 5
5.0 SF AREA - WINDOW 6
5.4 SF AREA - COLUMN 1
5.4 SF AREA - COLUMN 2
6.6 SF AREA - DORMER GLAZING
5.4 SF AREA - PILASTER 1
5.4 SF AREA - PILASTER 2
5.4 SF AREA - PILASTER 3
5.4 SF AREA - PILASTER 4
14 SF AREA - TOTAL 31.8%



2 EAST ELEVATION
SCALE: 1/4" = 1'-0"



4 NORTH ELEVATION
SCALE: 1/4" = 1'-0"



JDS Consulting
ENGINEERING · DESIGN · ENERGY
JDS Consulting LLC, 9600 D JERSEY CT, RALEIGH, NC 27617 919.480.1075
INT:06@JDSCONSULTING.NET WWW.JDSCONSULTING.NET
JDS Consulting PLLC IS NOT LIABLE FOR CHANGES MADE TO PLANS DUE TO CONSTRUCTION METHODS OR ANY CHANGES TO PLANS MADE IN THE FIELD. THE LOT NUMBER, PROPERTY, OR AS A MASTER PLAN AS SPECIFIED ON TITLE SHEET. DIMENSIONS SHALL GOVERN OVER SCALE, AND CODE SHALL GOVERN OVER DIMENSIONS ON DRAWINGS.

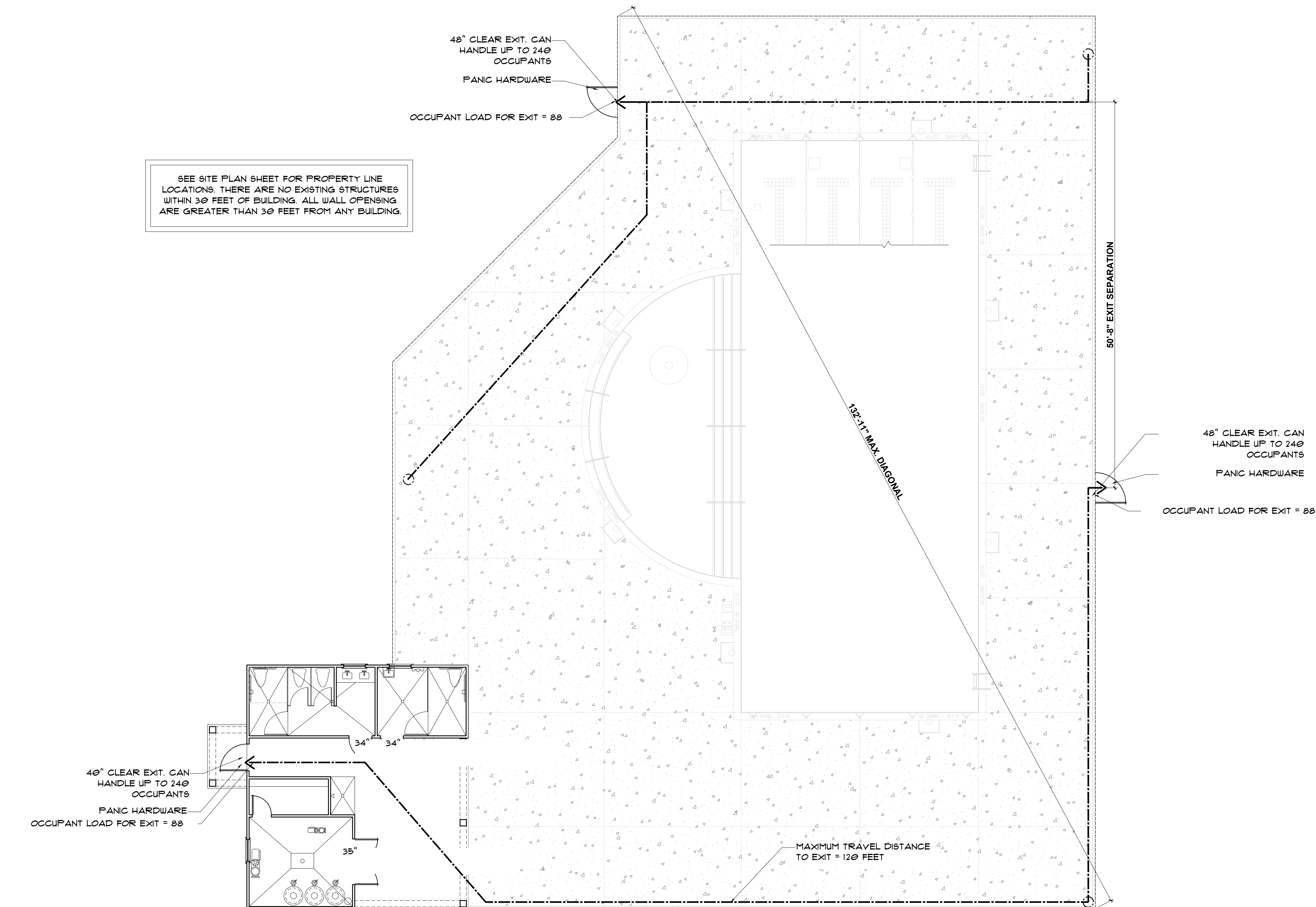
CLIENT: **MATTAMY HOMES**
PROJECT: **PROVINCE CREEK AMENITY CENTER & POOL**
LOCATION: **196 PROVIDENCE CREEK DRIVE, FUQUAY-VARINA, NC 27526**
PROJECT NO.: **23900139**
DATE: **05/02/2023** DRAWN BY: **FAB**
ELEVATIONS, RESTROOMS, WALL SECTION
B2.0



P-0961

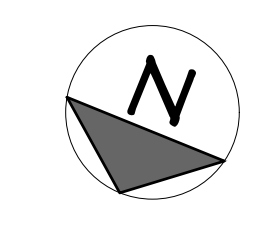
POOL DECK OCCUPANCY REQUIREMENTS

TOTAL POOL DECK AREA IS 4,734 SF. 8' MINIMUM UNOCCUPIABLE AREA AROUND THE POOL IS 2,116 SF. GROSS POOL DECK FOR OCCUPANCY EXIT REQUIREMENTS IS 4,734 - 2,116 = 2,618 SF. DECK IS 2,618 SF AT 15 SF PER PERSON, DECK OCCUPANT LOAD IS 175. COVERED AREA IS 421 SF. AT 15 SF PER PERSON, COVERED AREA OCCUPANT LOAD IS 28. POOL AREA IS 2,969 SF. AT 50 SF PER PERSON, POOL OCCUPANT LOAD IS 60. TOTAL OCCUPANT LOAD OF 263 IS EQUAL TO 133' OF EXIT REQUIRED. 3 EXITS REQ'D. MIN. OF 133' SHOWN ON PLAN. EXIT SEPARATION EQUALS 1/2 THE 133' DIAGONAL, OR 66'. 66' IS SHOWN ON PLANS.



1 LIFE SAFETY PLAN

SCALE: 1/4" = 1'-0"



JDS Consulting
ENGINEERING · DESIGN · ENERGY

JDS Consulting PLLC, 8600 D JERSEY CT, RALEIGH, NC 27617 919.480.1075
INT:06@JDSCONSULTING.NET WWW.JDSCONSULTING.NET

JDS Consulting PLLC IS NOT LIABLE FOR CHANGES MADE TO PLANS DUE TO CONSTRUCTION METHODS OR ANY CHANGES TO PLANS MADE IN THE FIELD. THE LOT NUMBER, PROPERTY, OR AS A MASTER PLAN AS SPECIFIED ON TITLE SHEET. DIMENSIONS SHALL GOVERN OVER SCALE, AND CODE SHALL GOVERN OVER DIMENSIONS ON DRAWINGS.

CLIENT: **MATTAMY HOMES**

PROJECT: **PROVINCE CREEK AMENITY CENTER & POOL**

LOCATION: **196 PROVIDENCE CREEK DRIVE, FUQUAY-VARINA, NC 27526**

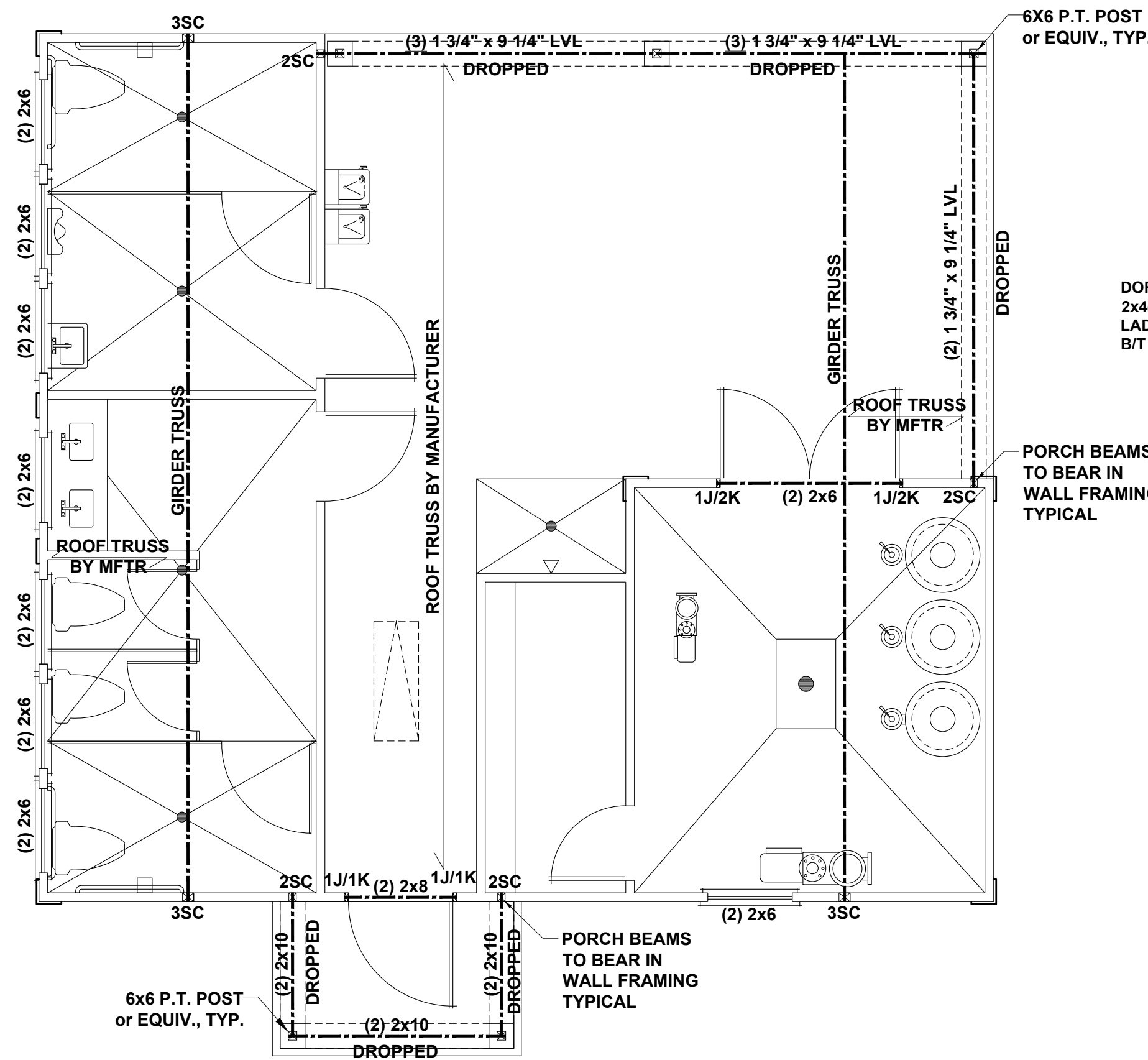
SCALE: 1/4" = 1'-0" FOR 24x36 PAPER, NOT TO SCALE FOR 11x17 PAPER, OR AS NOTED

PROJECT NO.: **23900139**

DATE: **05/02/2023** DRAWN BY: **FAB**

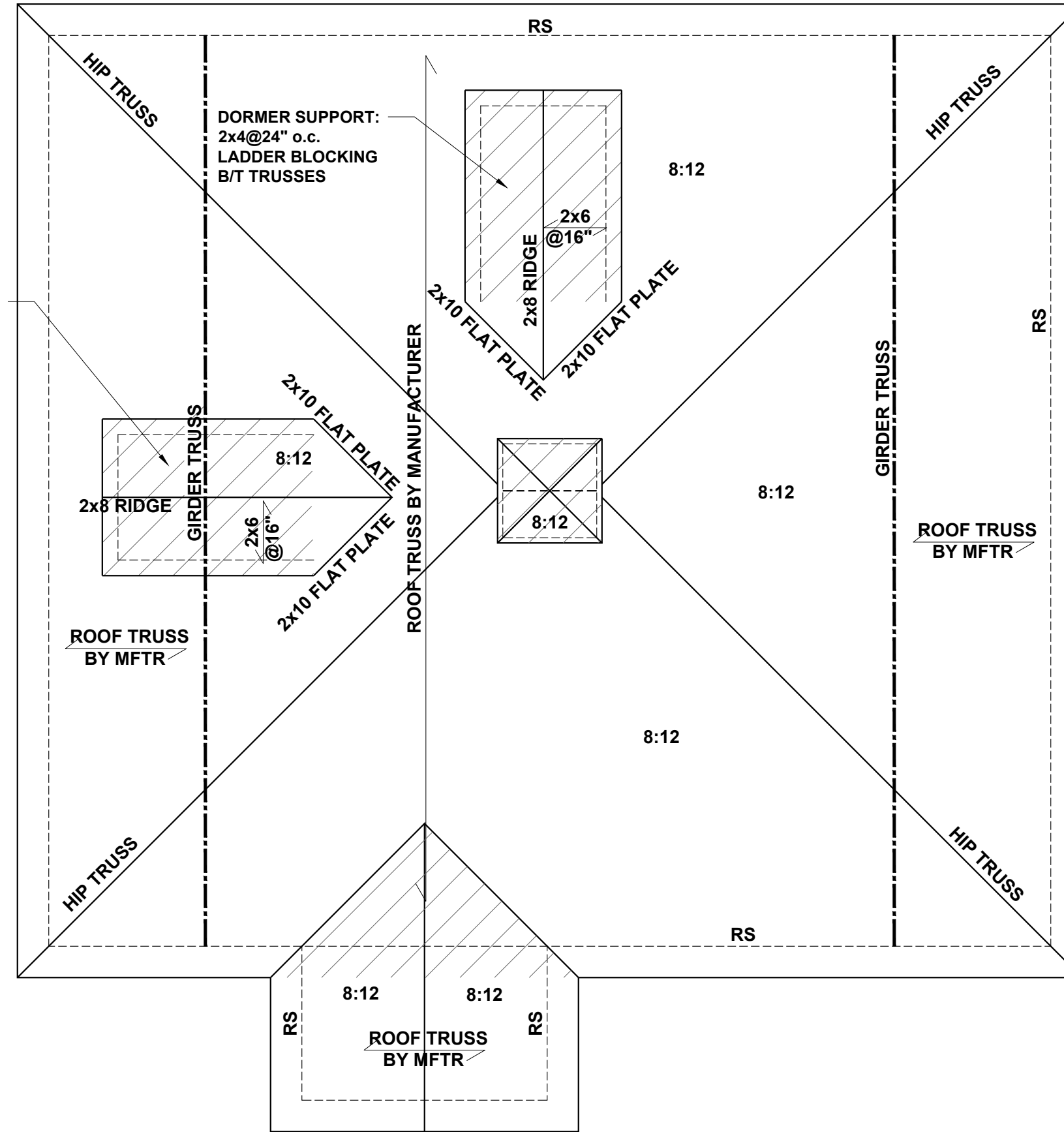
UL DETAILS

B2.1



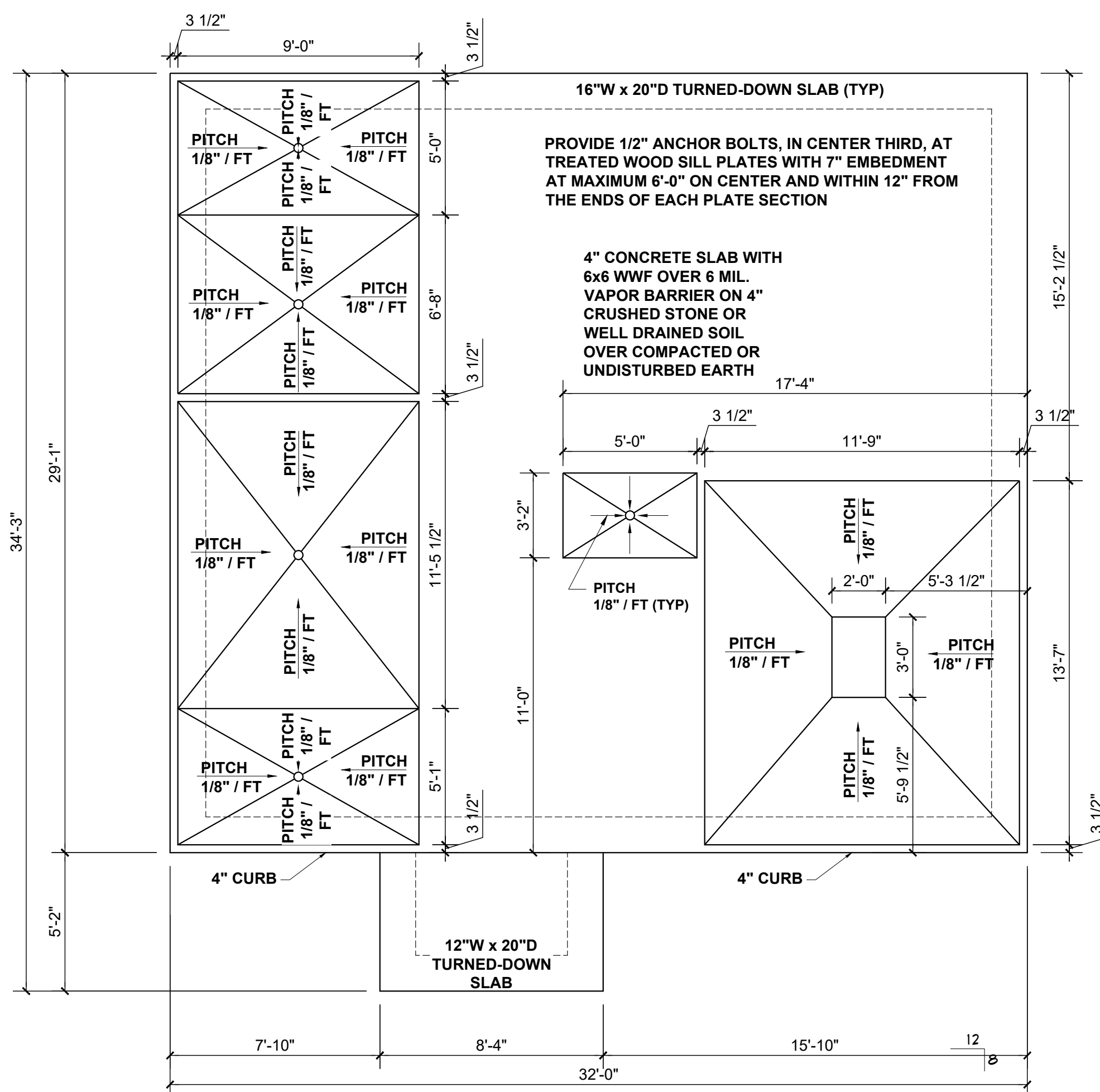
CEILING FRAMING PLAN

SCALE: 1/4" = 1'-0"



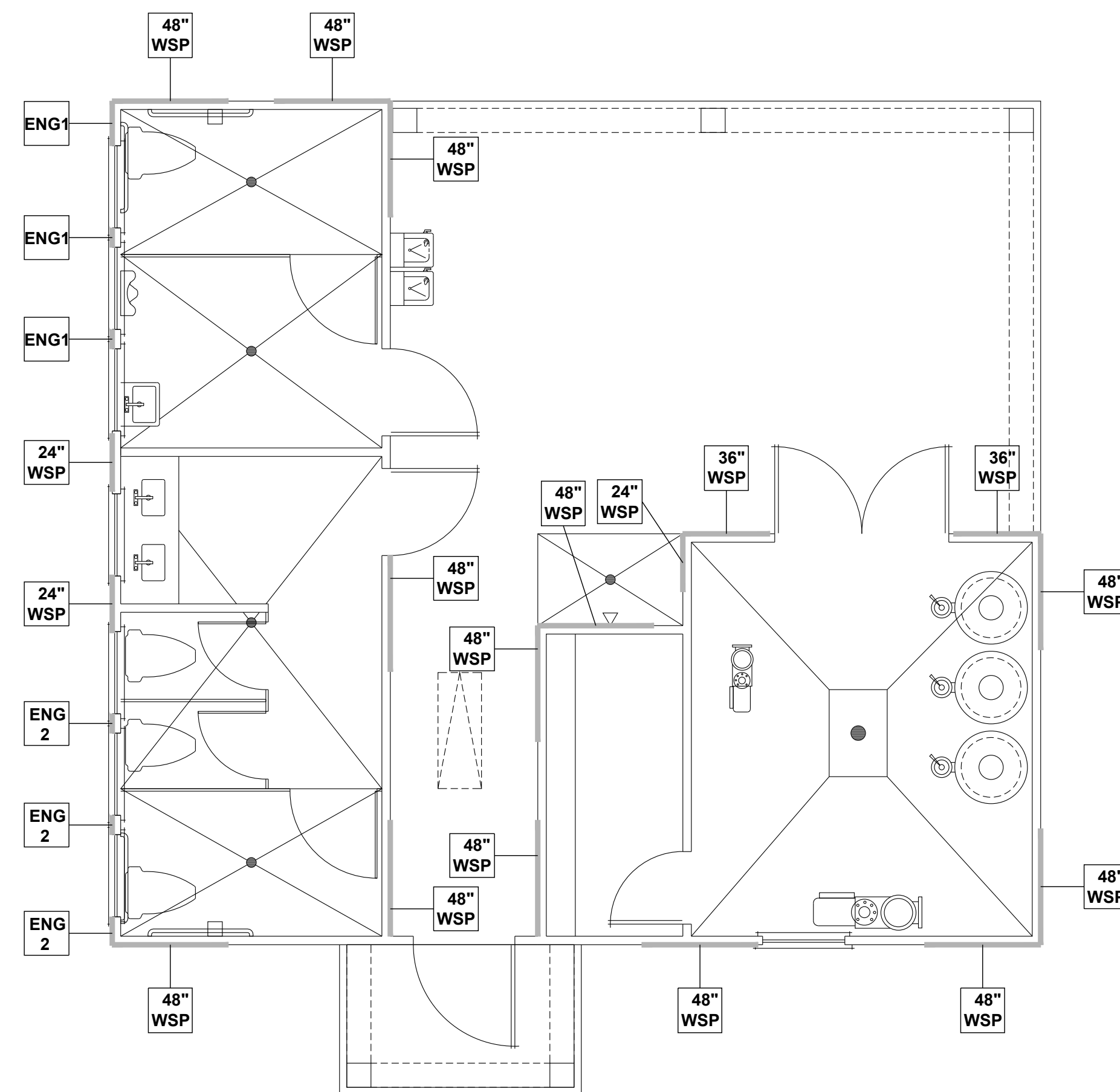
ROOF FRAMING PLAN

SCALE: 1/4" = 1'-0"



SLAB FOUNDATION PLAN

SCALE: 1/4" = 1'-0"

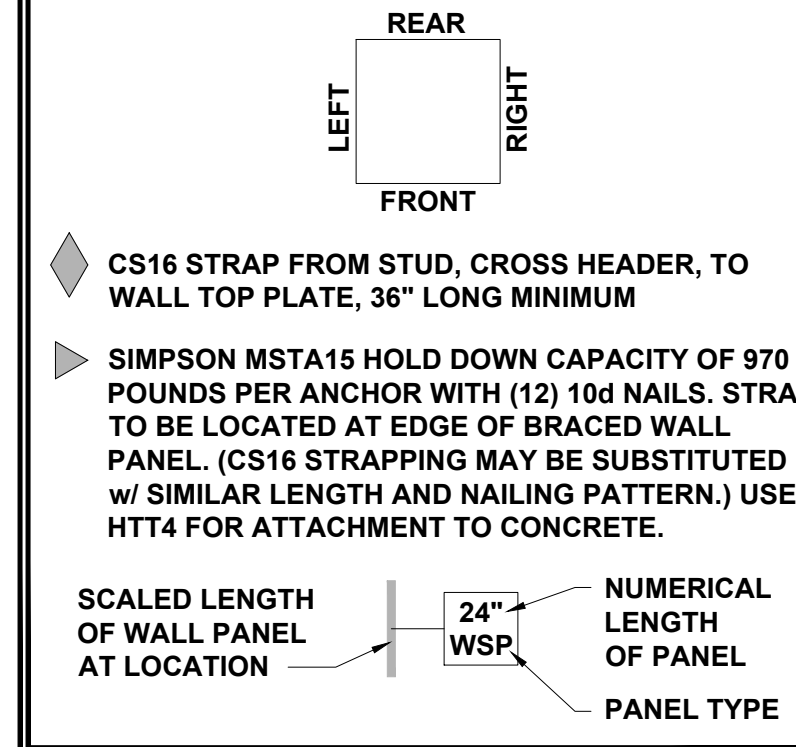


WALL BRACING PLAN

SCALE: 1/4" = 1'-0"

WALL BRACING REQUIREMENTS

- MINIMUM PANEL WIDTH IS 24"
- FIGURES BASED ON THE CONTINUOUS SHEATHING METHOD USING THE RECTANGLE CIRCUMSCRIBED AROUND THE FLOOR PLAN OR PORTION OF THE FLOOR PLAN. IF NO RECTANGLE IS NOTED, THE STRUCTURE HAS BEEN FIGURED ALL WITHIN ONE RECTANGLE.
- PANELS MAY SHIFT UP TO 36" EITHER DIRECTION FOR EASE OF CONSTRUCTION (NAILING & BLOCK REQUIREMENTS STILL APPLY).
- FOR ADDITIONAL WALL BRACING INFORMATION, REFER TO WALL BRACING DETAIL SHEET(S).
- SCHEMATIC BELOW INDICATES HOW SIDES OF RECTANGLE ARE TO BE INTERPRETED IN BRACING CHART WHEN APPLIED TO STRUCTURE:



ENGINEERED WALL SCHEDULE

- ENG1: CONTINUOUSLY SHEATH WITH 7/16" OSB ATTACHED WITH 8d NAILS @ 6" OC EDGE AND 12" OC FIELD. FULLY BLOCKED AT ALL PANEL EDGES.
- ENG2: CONTINUOUSLY SHEATH WITH 7/16" OSB WITH 10d NAILS @ 3" OC EDGE AND 3" OC FIELD. FULLY BLOCKED AT ALL PANEL EDGES.
- ENG3: CONTINUOUSLY SHEATH 7/16" OSB ATTACHED BOTH SIDES WITH 8d NAILS @ 4" OC EDGE AND 8" OC FIELD. FULLY BLOCKED AT ALL PANEL EDGES.
- ENG4: CONTINUOUSLY SHEATH 7/16" OSB ATTACHED WITH 8d NAILS @ 4" OC EDGE AND 8" OC FIELD. FULLY BLOCKED AT ALL PANEL EDGES.

BEAM & POINT LOAD LEGEND

	INTERIOR LOAD BEARING WALL
	ROOF RAFTER / TRUSS SUPPORT
	DOUBLE RAFTER / DOUBLE JOIST
	STRUCTURAL BEAM / GIRDER
	WINDOW / DOOR HEADER
	POINT LOAD TRANSFER
	POINT LOAD FROM ABOVE BEARING ON BEAM / GIRDER

STRUCTURAL FRAMING NOTES - (SEE GENERAL NOTES SHEET FOR ADDITIONAL REQUIREMENTS.)

- ALL FRAMING TO BE #2 SPF MINIMUM.
- ALL BEARING HEADERS TO BE (2) 2x6 SUPPORTED w/ MIN (1) JACK AND (1) KING EACH END, UNO.
- EXTERIOR WALL OPENINGS OVER 3' TO HAVE MULTIPLE KING STUDS AS NOTED ON PLAN.
- ALL NON-BEARING HEADERS TO BE (2) 2x4 (1) J / (1) K, UNO.
- PROVIDE CONTINUOUS BLOCKING THROUGH STRUCTURE FOR ALL POINT LOADS.
- ALL HANGERS AND CONNECTORS SPECIFIED ARE TO BE SIMPSON STRONG-TIE OR EQUIVALENT.
- ALL BEAMS SPECIFIED ARE MINIMUM SIZES ONLY. LARGER MEMBERS MAY SUBSTITUTED AS NEEDED FOR EASE OF CONSTRUCTION. MINIMUM BEAM SUPPORT IS (1) 2x4 STUD.
- ALL EXTERIOR WALLS TO BE FULLY SHEATHED WITH 7/16" OSB.
- FRONT PORCH COLUMNS TO BE MIN 4x4 PT ATTACHED AT TOP AND BOTTOM USING SIMPSON (OR EQUIV) COLUMN BASE OR SST A24 BRACKETS. TRIM OUT PER BUILDER.
- PORCH COLUMNS TO BE MIN 4x4 PT ATTACHED AT BOTTOM USING SIMPSON (OR EQUIV) ABA44 AND AT TOP USING CS 16 STRAPPING (12" MIN) TO PORCH HEADER / BAND.
- WHEN A 4-PLY LVL IS USED, ATTACH WITH (1) 1/2" Ø BOLT 12" OC STAGGERED, TOP AND BOTTOM, 1-1/2" MIN FROM ENDS. ALTERNATE ATTACHMENT EQUIVALENT METHOD MAY BE USED, SUCH AS SDW OR TRUSSLOK SCREWS (SEE MANUFACTURER'S SPECIFICATIONS).
- FOR STUD COLUMNS OF 4 OR MORE, INSTALL SST CS16 STRAPS @ 30" OC, 6" MAX FROM PLATES, ON INSIDE FACE OF COLUMN (EXTERIOR WALL), ON BOTH FACES OF COLUMN (INTERIOR WALL).

TRUSSED ROOF - STRUCTURAL NOTES

- PROVIDE CONTINUOUS BLOCKING THROUGH STRUCTURE FOR ALL POINT LOADS.
- DENOTES OVER-FRAMED AREA
- MINIMUM 7/16" OSB ROOF SHEATHING
- TRUSS LAYOUT AND PLACEMENT BY MANUFACTURER TO COINCIDE WITH THE SUPPORT LOCATIONS SHOWN. TRUSS PROFILES SHALL BE SEALED BY THE TRUSS MANUFACTURER. TRUSS PLANS TO BE COORDINATED WITH THE SEALED STRUCTURAL DRAWINGS. INSTALLATION SHALL BE IN ACCORDANCE WITH THE MANUFACTURER'S INSTRUCTIONS.
- MANUFACTURER TO PROVIDE REQUIRED UPLIFT CONNECTION.
- PROVIDE H2.5A (MINIMUM) OR EQUIVALENT AT EACH TRUSS-TO-TOP PLATE CONNECTION AT OVER-FRAMED AREAS, UNLESS NOTED OTHERWISE.
- UPLIFT CONNECTION TO BE CARRIED THROUGH TO FLOOR SYSTEM.

WALL BRACING NOTE:

WALLS WITH PROVIDED LENGTH LISTED AS "N/A" DO NOT MEET THE REQUIREMENTS OF PRESCRIPTIVE WALL BRACING FOUND IN THE NORS. THESE WALLS HAVE BEEN ENGINEERED BASED ON DESIGN GUIDELINES ESTABLISHED IN ASCE-07 AND THE NDS: WIND & SEISMIC PROVISIONS SUPPLEMENT.

WALL BRACING: RECTANGLE 1

SIDE	REQUIRED LENGTH	PROVIDED LENGTH
FRONT	5.0 FT.	12.0 FT.
RIGHT	5.0 FT.	12.0 FT.
REAR	5.0 FT.	14.0 FT.
LEFT	5.0 FT.	N/A



JDS Consulting
ENGINEERING · DESIGN · ENERGY

8600 P. JERSEY CT. RALEIGH, NC 27617 919.480.1075
WWW.JDSCONSULTING.NET

JDS Consulting PLLC IS NOT LIABLE FOR CHANGES MADE TO PLANS DUE TO CONSTRUCTION METHODS OR ANY CHANGES TO PLANS MADE IN THE FIELD. THE LOT NUMBER, PROPERTY, OR AS A MASTER PLAN AS SPECIFIED ON TITLE SHEET. DIMENSIONS SHALL GOVERN OVER SCALE, AND CODE SHALL GOVERN OVER DIMENSIONS & DRAWINGS.

CLIENT: **MATTAMY HOMES**

PROJECT: **PROVINCE CREEK AMENITY CENTER & POOL**

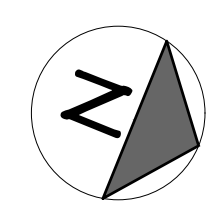
LOCATION: **196 PROVIDENCE CREEK DRIVE, FUQUAY-VARINA, NC 27526**

PROJECT NO.: **23900139**

DATE: **05/02/2023** DRAWN BY: **FAB**

FIRST FLOOR FRAMING PLAN

S1.0



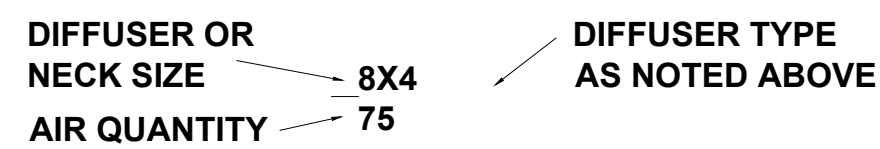
EXHAUST FAN SCHEDULE											
UNIT NO.	SERVICE	CFM	STATIC	RPM	TYPE	MIN. MOTOR HP & VOLTAGE	MAKE	MODEL #	DRIVE	CONTROL SCHEME	REMARKS
EF-1	RESTROOMS	225	0.1	1000	CEILING	813 WATTS/0.77A 120/1	GREENHECK	SP-A250	DIRECT	A	1-5
EF-2	PUMP ROOM	284	0.25	1577	IN-LINE	1/4 HP 120/1	GREENHECK	BSQ-70-4	BELT	B	1-6
EF-3	CHEM ROOM	129	0.25	1050	IN-LINE	1/4 HP 120/1	GREENHECK	BSQ-70-4	BELT	B	1-6

- NOTES**
- SCREEN
 - BACKDRAFT DAMPER
 - COLOR BY OWNER
 - INTEGRAL DISCONNECT SWITCH
 - SPEED CONTROLLER
 - CORROSION RESISTANT

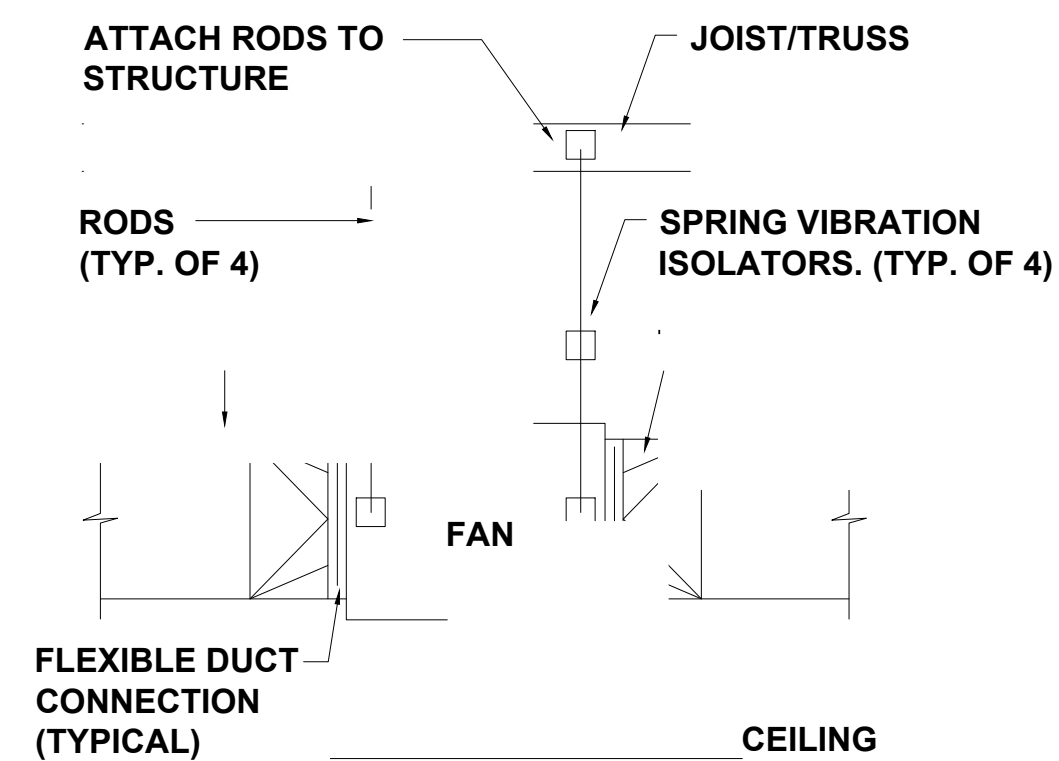
- CONTROL OPTIONS**
- CONTROL W/ ROOM LIGHTS
 - CONTINUOUS OPERATION

DIFFUSER SCHEDULE											
SYMBOL	CFM	NECK SIZE	MODULE SIZE	FRAME TYPE	PATTERN	DAMPER	MATERIAL	SERVICE	FINISH	MANUFACTURER & MODEL NO.	NOTES
A	AS NOTED	AS NOTED	12X12	SURFACE	EGGCRATE	NO	ALUM	RETURN	NOTE 2	TITUS 50F	1-3

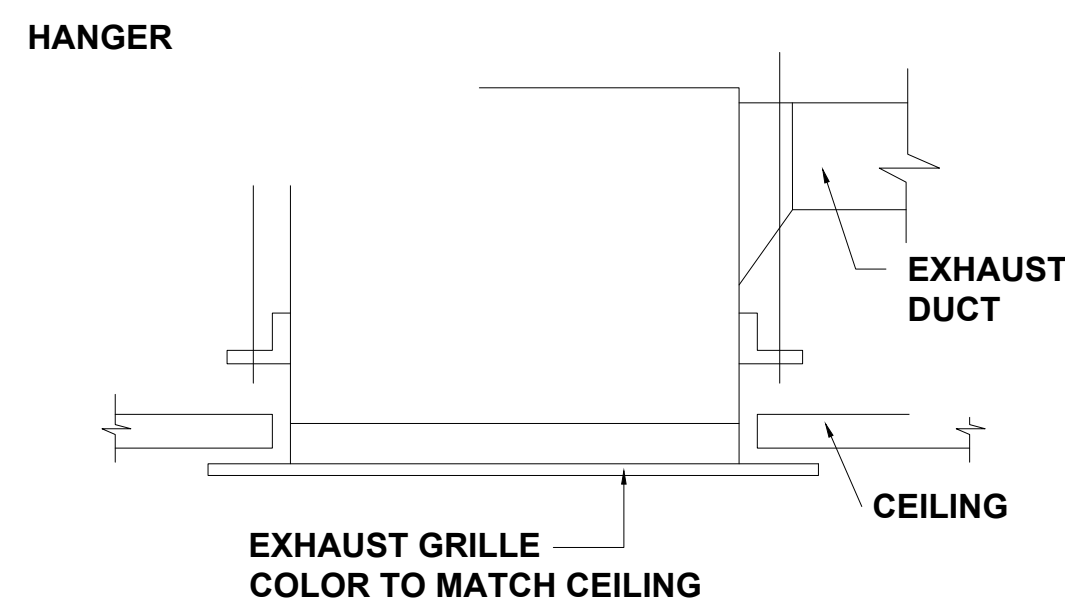
- NOTES**
- DIFFUSER DESIGNATIONS ON PLANS AS FOLLOWS:



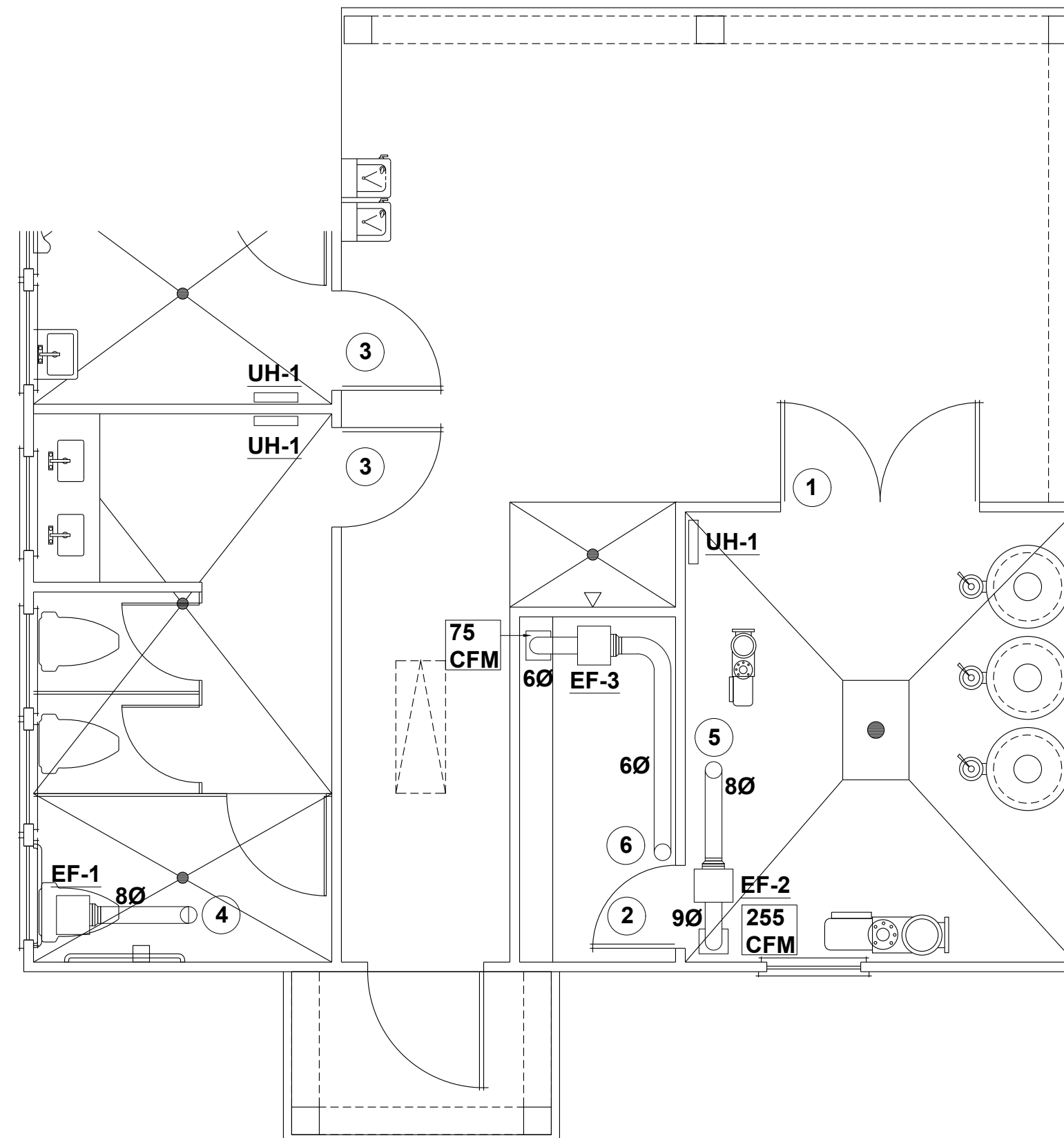
UNIT HEATER SCHEDULE									
TAG	LOCATION	TYPE	BTUH	ELECTRICAL DATA				MANUFACTURER & MODEL NO.	NOTES
				W	V	PH	HZ		
UH-1	BATHROOMS	ELEC	2,560	750	120	1	60	MARKEL E3321TTD-RP	ALL



IN-LINE FAN DETAIL NTS



EXHAUST FAN DETAIL NTS



MECHANICAL FLOOR PLAN SCALE: 1/4" = 1'-0"

MECHANICAL ABBREVIATIONS

- ABV ABOVE
 AFF ABOVE FINISHED FLOOR
 AHU AIR HANDLING UNIT
 CFM CUBIC FEET PER MINUTE
 EF ELECTRIC FAN
 FA FRESH AIR
 HP HEAT PUMP
 TWH INLINE WATER HEATER

MECHANICAL GENERAL NOTES

- SCALE DRAWINGS. SEE ARCHITECTURAL PLANS AND REFLECTED CEILING PLANS FOR EXACT LOCATION OF DOORS, WINDOWS, CEILING DIFFUSER. DUCTWORK SHALL BE GALVANIZED SHEET METAL CONSTRUCTED IN ACCORDANCE WITH THE LATEST ASHRAE STANDARDS. ALL RECTANGULAR SUPPLY AND RETURN DUCTWORK AND ALL ROUND DUCT SHALL MEET REQUIREMENTS OF INTERNATIONAL ENERGY CODE SECTION 503. CONDENSATE DRAIN PIPING SHALL BE HARD DRAWN 1/2" (TYPE 'L'), PVC ACCEPTED. ALL DUCTS, VENTS, ETC. EXTENDING THROUGH ROOF AND CEILING SHALL BE FLASHED AND FLASHING IN A WATERPROOF MANNER. ALL PENETRATIONS IN WALLS OR CEILINGS THAT ARE FIRE RATED SHALL BE SEALED TO THE FIRE RATING OF WALL OR CEILING EVEN IF NOT SHOWN ON PLANS IN A UL LISTED METHOD.
- ALL PIPING AND DUCTWORK LOCATIONS SHALL BE COORDINATED WITH THE WORK UNDER OTHER DIVISIONS OF THE SPECIFICATIONS TO AVOID INTERFERENCE.
 - ANY DEVICE REQUIRING A THERMOSTAT FOR CONTROL SHALL BE FURNISHED WITH A THERMOSTAT WHETHER INDICATED ON THE DRAWINGS OR NOT.
 - LOCATE ALL THERMOSTATS AND SWITCHES 48" AFF TO MEET ACCESSIBILITY CODE LATEST ADDITION.
 - MECHANICAL CONTRACTOR SHALL BALANCE SYSTEM TO AIR QUANTITIES INDICATED ON PLANS.
 - CONTRACTOR SHALL COORDINATE DESIGN DRAWINGS WITH ARCHITECTURAL DRAWINGS.

ADDITIONAL MECHANICAL NOTES

- CLEAR AREA DIMENSION. INTERIOR DUCT INSULATION MUST HAVE AN R-VALUE OF 5.0. ANY FLEX DUCT THAT RUNS OVER 10 FEET SHALL HAVE AN R-VALUE OF 6.0. ANY FLEX DUCT WHICH RUNS IN THE ATTIC SPACE SHALL HAVE AN R-VALUE OF 8.0. ALL DUCTWORK OUTSIDE BUILDING SHALL HAVE A MIN. R-8 VALUE.
- COORDINATE ELECTRICAL REQUIREMENTS OF THE UNITS WITH ELECTRICAL CONTRACTOR.
- PROVIDE RETURN AIR GRILL WITH FILTER.
- ALL EQUIPMENT AND DUCTWORK SHALL BE INSTALLED PER MANUFACTURER AND IN ACCORDANCE WITH STATE AND LOCAL CODES AS WELL AS SMACNA STANDARDS.
- ALL UNITS TO BE WIRED FOR SINGLE SOURCE POWER. ALL AHU SHALL HAVE AN AUTOMATIC SHUT DOWN SWITCH INSTALLED.
- BATHROOM TO BE EQUIPPED WITH EXHAUST FANS PROVIDED BY THE MECHANICAL CONTRACTOR. MECHANICAL CONTRACTOR TO PROVIDE AND INSTALL DUCT TO OUTSIDE. FANS SHALL BE WIRED BY ELECTRICAL CONTRACTOR.
- MECHANICAL CONTRACTOR TO COORDINATE DUCTWORK LAYOUT WITH ALL TRADES.
- REFRIGERANT LINES TO BE SIZED BY MANUFACTURER FOR LENGTH OF RUN BETWEEN COIL AND CONDENSER.
- VERIFY THERMOSTAT LOCATIONS WITH OWNER.
- MECHANICAL SYSTEM TO BE BALANCED AND TESTED AFTER INSTALLATION TO ASSURE PROPER OPERATION.

POOL EXHAUST CALCULATIONS

PUMP ROOM
 = 152 SQ FT X 10 FT = 1520 CU FT
 10 AIR CHANGES/HOUR = 1520 X (10/60) = 254 CFM
 (EF-2 PROVIDES 284 CFM)

CHEMICAL STORAGE ROOM
 = 45 SQ FT X 10 FT = 450 CU FT
 10 AIR CHANGES/HOUR = 450 X (10/60) = 75 CFM
 (EF-3 PROVIDES 129 CFM)

TAGGED PLAN NOTES

- PUMP ROOM DOOR REQUIRES A MIN. FREE AREA OF 0.83 SQFT. FULL HEIGHT LOUVERED DOOR, SEE ARCH. PLANS FOR DOOR DETAILS.
- CHEMICAL STORAGE ROOM DOOR REQUIRES A MIN. FREE AREA OF 0.26 SQFT. DOOR LOUVER GRILLE, SEE ARCH. PLANS FOR DOOR DETAILS.
- BATHROOM DOOR REQUIRES A MIN. FREE AREA OF 0.45 SQFT. DOOR LOUVER GRILLE, SEE ARCH. PLANS FOR DOOR DETAILS.
- 80 EXH. DUCT TO EXHAUST THROUGH ROOF.
- 80 EXH. DUCT TO EXHAUST THROUGH ROOF. PROVIDE AIR TIGHT CONNECTION BETWEEN DUCT AND ROOF.
- 60 EXH. DUCT TO EXHAUST THROUGH ROOF. PROVIDE AIR TIGHT CONNECTION BETWEEN DUCT AND ROOF.



JDS Consulting
 ENGINEERING • DESIGN • ENERGY

196 PROVIDENCE CREEK DRIVE, SUITE 200, FAYETTEVILLE, NC 27033
 PHONE: 704.781.1111 | FAX: 704.781.1112
 WWW.JDSCONSULTING.NET

JDS Consulting PLLC, 3600 P. JERSEY CT., RALEIGH, NC 27617 919.480.1075
 INFO@JDSCONSULTING.NET | WWW.JDSCONSULTING.NET

JDS Consulting PLLC IS NOT LIABLE FOR CHANGES MADE TO PLANS DUE TO CONSTRUCTION METHODS OR ANY CHANGES TO PLANS MADE IN THE FIELD. THE LOT NUMBER, PROPERTY, OR AS A MASTER PLAN AS SPECIFIED ON TITLE SHEET. DIMENSIONS SHALL GOVERN OVER SCALE, AND CODE SHALL GOVERN OVER DIMENSIONS ON DRAWINGS.

CLIENT: **MATTAMY HOMES**
 PROJECT: **PROVIDENCE CREEK AMENITY CENTER & POOL**
 LOCATION: **196 PROVIDENCE CREEK DRIVE, FUQUAY-VARINA, NC 27526**

PROJECT NO.: **23900139**

DATE: **05/02/2023** DRAWN BY: **FAB**

MECHANICAL PLAN

M1.0

SCALE: 1/4" = 1'-0" FOR 24x36 PAPER, NOT TO SCALE FOR 11x17 PAPER, OR AS NOTED

POOL NOTES

- ALL ELECTRICAL EQUIPMENT IN POOL AREA SHALL BE BONDED TOGETHER WITH #8 CU. GND. PER N.E.C. #680-26.
- ALL RECEPTACLES IN POOL AREA WITHIN 20' OF POOL AND IN POOL EQUIPMENT ROOM SHALL BE WEATHERPROOF G.F.C.I. TYPE.
- ELECTRICAL INSTALLATION IS TO BE IN COMPLIANCE WITH ARTICLE 680 OF THE N.E.C. THE FOLLOWING ITEMS ARE REQUIRED TO BE BONDED WITH INSULATED #8 COPPER WIRE, OR AS OTHERWISE REQUIRED BY THE N.E.C. OR EQUIPMENT MANUFACTURERS:
 - ALL METALLIC PARTS OF THE POOL STRUCTURE, INCLUDING REINFORCING STEEL WITHIN 5' HORIZONTALLY OF THE POOL WALL IN ALL CONCRETE SLABS.
 - UNDERWATER LIGHT FIXTURES, INCLUDING FORMING SHELLS, MOUNTING BRACKETS AND JUNCTION BOXES AS REQUIRED.
 - HANDRAILS.
 - LADDERS.
 - PUMP MOTORS, FOR ALL POOLS.
 - WINDOW FRAMES, WHERE NOTED.
 - LIGHT FIXTURES ABOVE THE POOL AND WITHIN 5 FEET HORIZONTALLY OF THE POOL WALLS.
 - ANY OTHER METALLIC PARTS REQUIRED BY THE N.E.C.
- THE FOLLOWING ITEMS ARE REQUIRED TO BE GROUNDED WITH INSULATED #12 COPPER WIRE, OR AS OTHERWISE REQUIRED BY THE N.E.C. OR EQUIPMENT MANUFACTURERS:
 - UNDERWATER LIGHTING FIXTURES.
 - ALL ELECTRICAL EQUIPMENT ASSOCIATED WITH THE CIRCULATION SYSTEM OF THE POOL.
 - ALL ELECTRICAL EQUIPMENT WITHIN 5 FEET OF THE POOL.
 - JUNCTION BOXES.
 - TRANSFORMER ENCLOSURES.
 - PANELBOARDS SUPPLYING POWER TO ANY EQUIPMENT ASSOCIATED WITH THE POOL OR SPRAY AREA.
 - GROUND FAULT INTERRUPT CIRCUITS.
- GROUNDING FOR POOL LIGHTS AND FOR PUMP MOTORS IS TO BE IN CONDUIT.
- ALL UNDERWATER LIGHT FIXTURES MUST BE SUBMERGED BEFORE BEING OPERATED.
- UNDERWATER LIGHT FIXTURES MUST BE REMOVABLE FROM THE WATER FOR RELAMPING OR NORMAL MAINTENANCE WITHOUT REQUIRING DRAINAGE OF THE POOL.
- NICHE LIGHT FIXTURES SHALL BE SUPPLIED WITH CORDS WHICH ARE LONG ENOUGH TO REACH THE DECK JUNCTION BOX WITHOUT INTERMEDIATE SPLICING. CONDUIT RUNS FROM EACH NICHE TO THE APPROPRIATE CONNECTION POINT (DECK BOX, SUBMERSIBLE JUNCTION BOX, ETC.) MUST BE AS DIRECT AS POSSIBLE AND A TOTAL LENGTH SHORTER THAN THE CORD WHEN PROPERLY INSTALLED. TO PROPERLY INSTALL FIXTURE AND CORD, LEAVE ENOUGH CORD IN THE NICHE SO THAT WHEN SERVICING IS REQUIRED THE FIXTURE CAN BE LIFTED ABOVE WATER LEVEL WITHOUT DRAINING THE POOL (WRAP EXTRA CORD LENGTH AROUND THE FIXTURE WHEN PLACING IN NICHE).
- WHEN RESEALING A FIXTURE (SUCH AS AFTER RELAMPING, ETC.) CARE MUST BE TAKEN TO TIGHTEN THE SCREWS OR BOLTS IN SUCH A FASHION AS TO CREATE EQUAL PRESSURE ON THE GASKET ALL THE WAY AROUND THE FIXTURE (FOLLOW MANUFACTURERS INSTRUCTIONS).
- ALL THREADED CONNECTIONS MUST BE MADE WITH NATIONAL TAPERED PIPE THREADS (N.P.T.) AND APPROVED THREAD SEALANT.

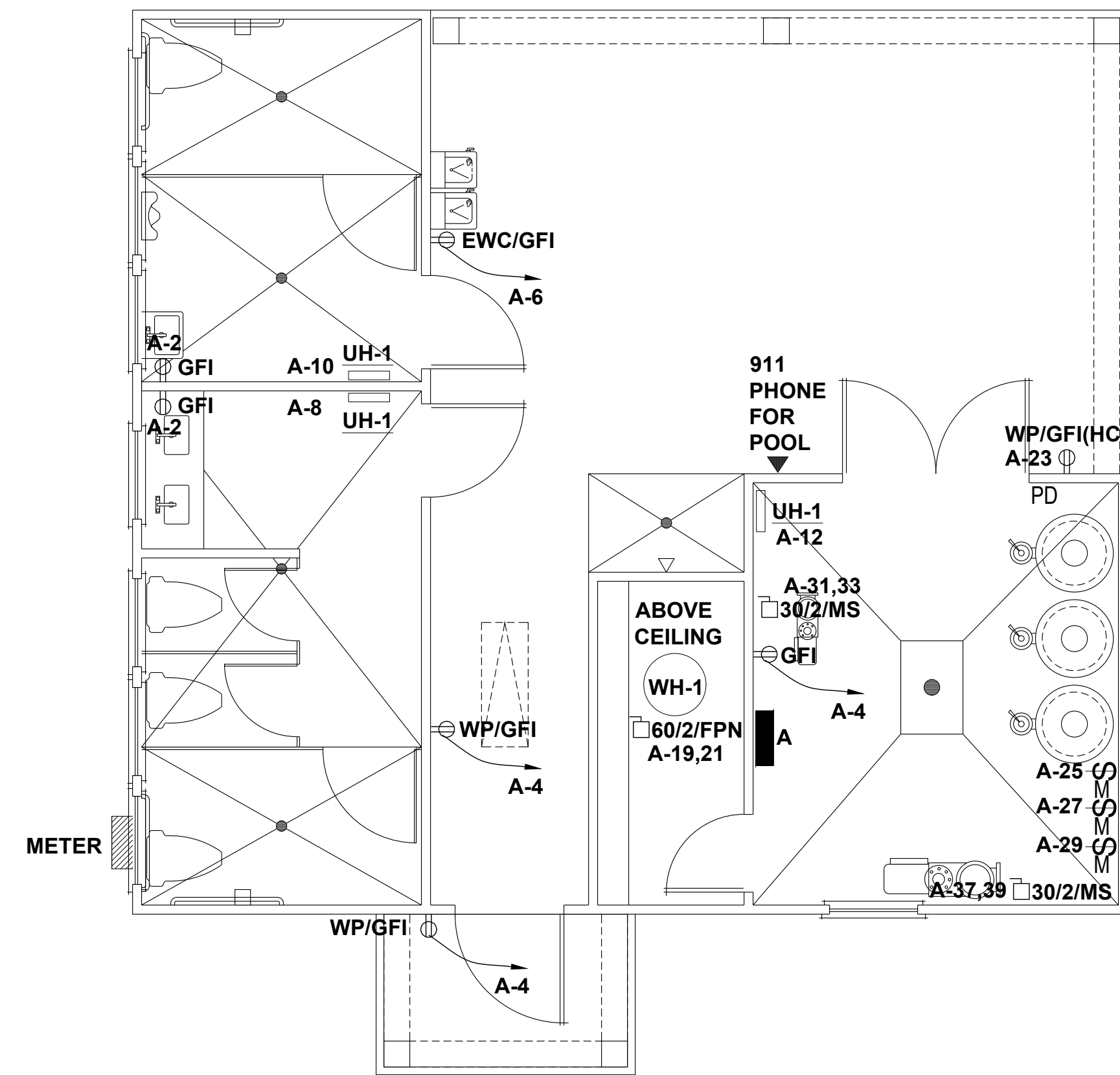
- AN APPROVED POTTING COMPOUND (LOW MELTING PARAFFIN OR RTV SILASTIC) MUST BE USED TO FILL THE ENTRY OF THE JUNCTION BOX TO PREVENT MOISTURE MIGRATION INTO THE CONDUIT. AFTER POTTING THE JUNCTION BOX, ATTACH THE COVER PLATE SO THAT IT IS WATERTIGHT.
- ALL METALLIC PIPING SYSTEMS ASSOCIATED WITH THE POOL MUST BE BONDED TO THE EQUIPMENT GROUNDING CONDUCTOR OF THE BRANCH CIRCUIT SUPPLYING THE POOL.
- UNDERWATER TYPE SO AND ST CORD CANNOT BE SPLICED EXCEPT IN AN APPROVED UNDERWATER JUNCTION BOX OR UL LISTED UNDERWATER SPLICE KIT.
- MAXIMUM EXPOSED CORD LENGTH IS 10 FEET, ANY LENGTH BEYOND 10 FEET MUST BE PROTECTED BY CONDUIT.
- THE CONDUIT SYSTEM MUST BE WATERTIGHT FROM THE PANEL TO THE POOL.
- ALL CONDUITS EXPOSED TO MOISTURE (BELOW GROUND, IN THE POOL, ETC.) MUST BE OF A NON-CORROSIBLE MATERIAL.
- ALL POOL EQUIPMENT MOTORS SHALL BE PROVIDED WITH MOTOR STARTERS AS REQUIRED AND ALL CONTROL WIRING SHALL BE FURNISHED TO PROVIDE A COMPLETE OPERATIONAL SYSTEM.

ELECTRICAL ABBREVIATIONS

ABV	ABOVE
AFF	ABOVE FINISHED FLOOR
CU	COPPER WIRE
J	ELECTRIC JUNCTION BOX
EL	EMERGENCY LIGHTING
EM	EMERGENCY EXIT SIGN
GFI	GROUND FAULT INTERRUPTER
GRD	GROUND
HP	HEAT PUMP
J	JUNCTION BOX
MCB	MINIATURE CIRCUIT BREAKER
PH	PHASE
OS	MOTION SENSOR
TWH	INLINE WATER HEATER

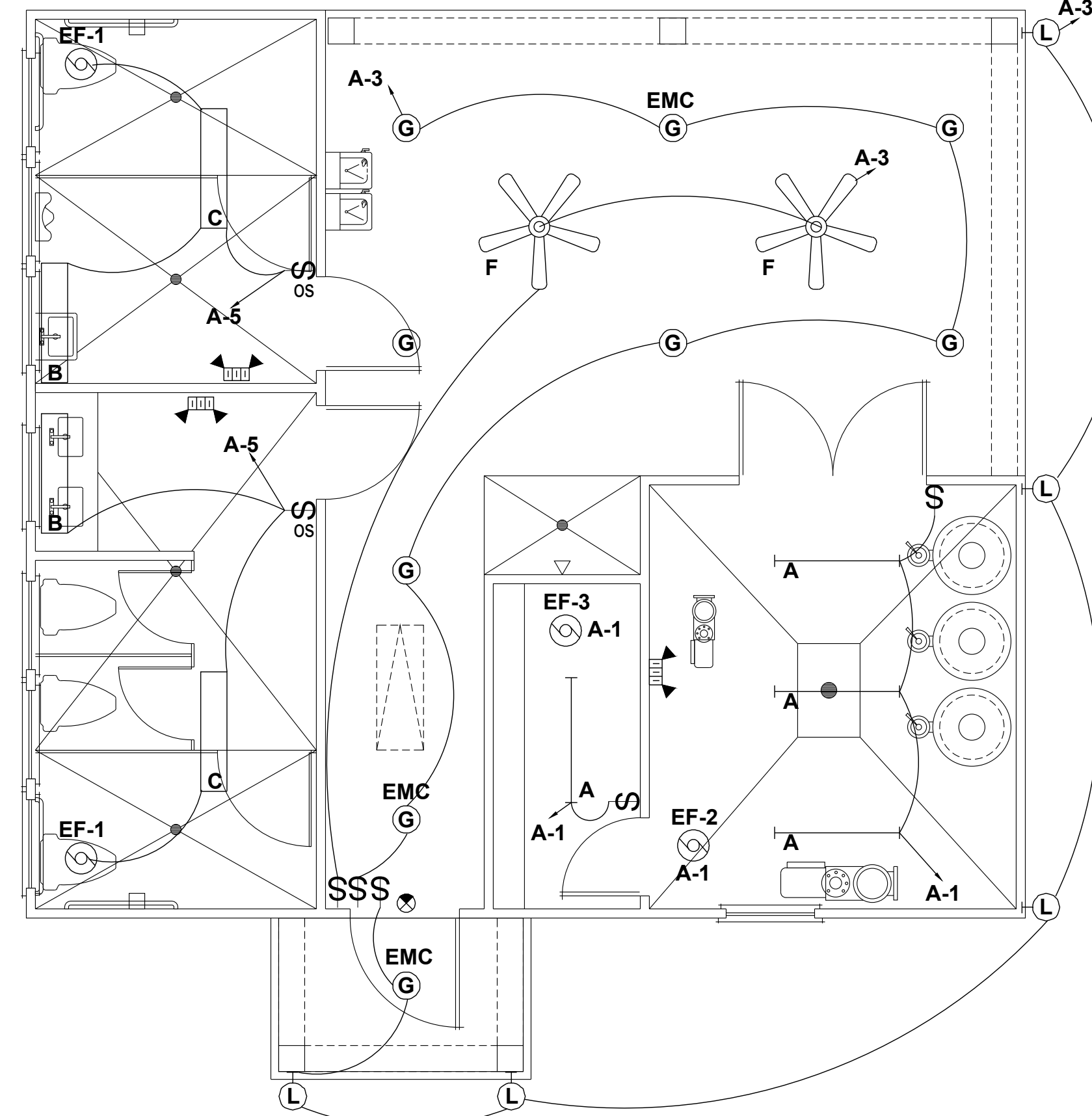
ELECTRICAL NOTES

- ELECTRICAL CONTRACTOR IS TO REVIEW COMPLETE DRAWING SET BEFORE ANY WORK AND/OR INSTALLATION IS STARTED.
- ELECTRICAL CONTRACTOR IS TO REPORT ON ANY DISCREPANCY(S) TO ENGINEER PRIOR TO WORK/INSTALLATION FOR CLARIFICATION AND/OR SOLUTION.
- ELECTRICAL CONTRACTOR IS RESPONSIBLE FOR ALL WORK EXPLICITLY SHOWN AND WORK IMPLIED UNLESS OTHERWISE NOTED.
- THESE DRAWINGS ARE DIAGRAMMATIC AND SHOW GENERAL LOCATION AND ARRANGEMENT OF ALL MATERIALS AND EQUIPMENT. THE DRAWINGS SHALL BE FOLLOWED AS CLOSELY AS BUILDING CONSTRUCTION AND ALL OTHER WORK WILL PERMIT.
- ELECTRICAL CONTRACTOR SHALL COORDINATE CLOSELY WITH ALL OTHER TRADES TO AVOID CONFLICTS AND MISTAKES, AND TO ENSURE OTHER TRADES PROVIDE MEASURES TO ACCOMMODATE ELECTRICAL WORK (I.E. ACCESS DOORS, SLAB/WALL/ROOF OPENINGS, ETC.)
- ELECTRICAL CONTRACTOR TO VERIFY ALL REQUIREMENTS AND COORDINATE EXACT LOCATION OF INCOMING ELECTRICAL SERVICE WITH LOCAL POWER COMPANY PRIOR TO PROJECT START-UP, NOTIFY ENGINEER OF ANY CHANGES AS MAY BE REQUIRED.
- FINAL ELECTRICAL CONNECTION(S) TO ALL EQUIPMENT, AND/OR FURNITURE (I.E. CUBICLES, WORKSTATIONS, ETC.) IS THE RESPONSIBILITY OF THE ELECTRICAL CONTRACTOR.
- ALL CONDUCTORS SHALL BE COPPER AND TYPE NM #12AWG MINIMUM WIRE SIZES SHALL BE BASED ON 75 DEGREE WIRE & TERMINALS.
- ALL WIRING DEVICES SHALL BE SPECIFICATION GRADE.
- ELECTRICAL CONTRACTOR SHALL VERIFY AVAILABLE FAULT CURRENT WITH ELECTRICAL UTILITY PRIOR TO PURCHASING DISTRIBUTION EQUIPMENT.
- ALL EQUIPMENT AND COMPONENTS INSTALLED AS PART OF THIS FACILITY SHALL BE NEW U.L. LISTED AND LABELED, AND INSTALLED PER THE 2008 NEC, ANY JURISDICTIONAL REQUIREMENTS AND PER THE MANUFACTURERS REQUIREMENTS.
- ELECTRICAL CONTRACTOR SHALL COORDINATE WITH ALL OTHER TRADE DISCIPLINE TO AVOID INTERFERENCE AND RE-WORK.
- ALL CONDUCTORS TO BE INSTALLED UNDERGROUND SHALL BE INSTALLED 24" B.F.G AND IN SCHEDULE 40 PVC CONDUIT.
- ALL FLUORESCENT LAMPS SHALL BE T-8 SP 41 OR APPROVED EQUAL LAMPS SHALL BE ENVIRONMENTALLY SAFE.
- ELECTRICAL CONTRACTOR SHALL CHECK FOR ELIMINATE SHORTS PRIOR TO ENERGIZING CIRCUITS. FAILURE TO DO SO WILL RESULT IN REPAIRS TO BE MADE AT NO EXPENSE TO OWNERS OR REPRESENTATIVES.
- ELECTRICAL CONTRACTORS OR DESIGNATED TELECOMMUNICATIONS SUBCONTRACTOR SHALL COORDINATE LOCATION AND REQUIREMENTS FOR TELEPHONE SERVICE WITH THE TELEPHONE COMPANY.
- FIRESTOP ALL PENETRATIONS, BY PIPING OR CONDUITS, OF FIRE RATED WALLS, FLOORS, AND PARTITIONS. PROVIDE A DEVICE(S) OR SYSTEM(S) WHICH HAS BEEN TESTED AND LISTED. INSTALL THE DEVICE(S) OR SYSTEM(S) IN ACCORDANCE WITH THE CONDITIONS OF THEIR LISTING, PROVIDE A DEVICE(S) OR SYSTEM(S) WITH AN "F" RATING EQUAL TO THE RATING OF THE ASSEMBLY BEING PENETRATED.
- ELECTRICAL CONTRACTOR SHALL PROVIDE AND INSTALL BATHROOM EXHAUST FAN MECHANICAL CONTRACTOR SHALL PROVIDE AND INSTALL BATHROOM EXHAUST DUCTWORK.
- ELECTRICAL CONTRACTOR SHALL PROVIDE RACEWAY SEALS TO MAIN DISTRIBUTION PANELS PER NEC 225.27.
- ALL DEVICES TO BE INSTALLED FOR ADA ACCESSIBILITY PER ANSI A117.1
- CONDUIT ENTERING COOLER AND FREEZER TO BE SEALED PER NEC 300.7
- ELECTRICAL CONTRACTOR TO PROVIDE AIC PLAQUES PER NEC 110.24. WHERE APPLICABLE, PLAQUES SHALL ALSO INDICATE THAT THE BUILDING HAS TWO, OR MORE SERVICES IF TWO, OR MORE EXIST FOR THE BUILDING.
- ALL EMERGENCY LIGHTS TO BE CONNECTED TO UNSWITCHED SIDE OF NEAREST LIGHT CIRCUIT.
- ALL EXTERNAL LIGHTING TO BE CONNECTED TO TIMER AND PHOTO -CELL IF NOT INCLUDED.
- WHENEVER AND WHEREVER APPLICABLE ALL OUTLETS/RECEPTICLES INSIDE OF ALL AMENITY STRUCTURES SHALL BE TAMPER RESISTANT.



ELECTRICAL FLOOR PLAN - POWER

SCALE: 1/4" = 1'-0"



ELECTRICAL FLOOR PLAN - LIGHTING

SCALE: 1/4" = 1'-0"

ELECTRICAL POWER LEGEND

SYMBOL	DESCRIPTION
S	SWITCH, SINGLE POLE, 120/277V, 20A, 48" AFF, LEVITON 1221-2
S _M	120 V, 20A, MOTOR RATED TOGGLE SWITCH
OS	OCCUPANCY SENSOR SWITCH, 120/277V, 20A, 48" AFF
⊖	RECEPTACLE, DUPLEX, 120V, 20A, 18" AFF LEVITON TBR20 (TAMPER-RESISTANCE RECEPTACLE)
GFI	RECEPTACLE, DUPLEX GFI, 120V, 20A, ABOVE CABINET COUNTER TOP, GROUND FAULT INTERRUPTOR LEVITON 6898 (EXTERIOR IN NEMA 3R ENCLOSURE)
⊘	EXHAUST FAN
⊕	CEILING MOUNTED FAN
■	ELECTRICAL PANEL
⊞	PROPOSED METER
⊞	HEAVY DUTY DISCONNECT SWITCH
⊞	LIGHTED EMERGENCY EXIT SIGN WITH BATTERY BACKUP
⊞	EMERGENCY LIGHTS WITH BATTERY BACKUP
⊞	WALL MOUNTED LIGHT
⊞	RECESSED LIGHT
⊞	RECESSED MOUNTED 2X4 FLUORESCENT STRIP
⊞	SURFACE MOUNTED FLUORESCENT STRIP



JDS Consulting
ENGINEERING • DESIGN • ENERGY

JDS Consulting PLLC, 3600 TP JERSEY CT, RALEIGH, NC 27617 919.480.1075
INTL@JDSCONSULTING.NET WWW.JDSCONSULTING.NET

JDS Consulting PLLC IS NOT LIABLE FOR CHANGES MADE TO PLANS DUE TO CONSTRUCTION METHODS OR ANY CHANGES TO PLANS MADE IN THE FIELD. THE LOT NUMBER, PROPERTY, OR AS A MASTER PLAN AS SPECIFIED ON TITLE SHEET. DIMENSIONS SHALL GOVERN OVER SCALE, AND CODE SHALL GOVERN OVER DIMENSIONS ON DRAWINGS.

CLIENT: **MATTAMY HOMES**

PROJECT: **PROVINCIE CREEK AMENITY CENTER & POOL**

LOCATION: **196 PROVIDENCE CREEK DRIVE, FUQUAY-VARINA, NC 27526**

SCALE: 1/4" = 1'-0" FOR 24x36 PAPER, NOT TO SCALE FOR 11x17 PAPER, OR AS NOTED

PROJECT NO: **23900139**

DATE: **05/02/2023** DRAWN BY: **FAB**

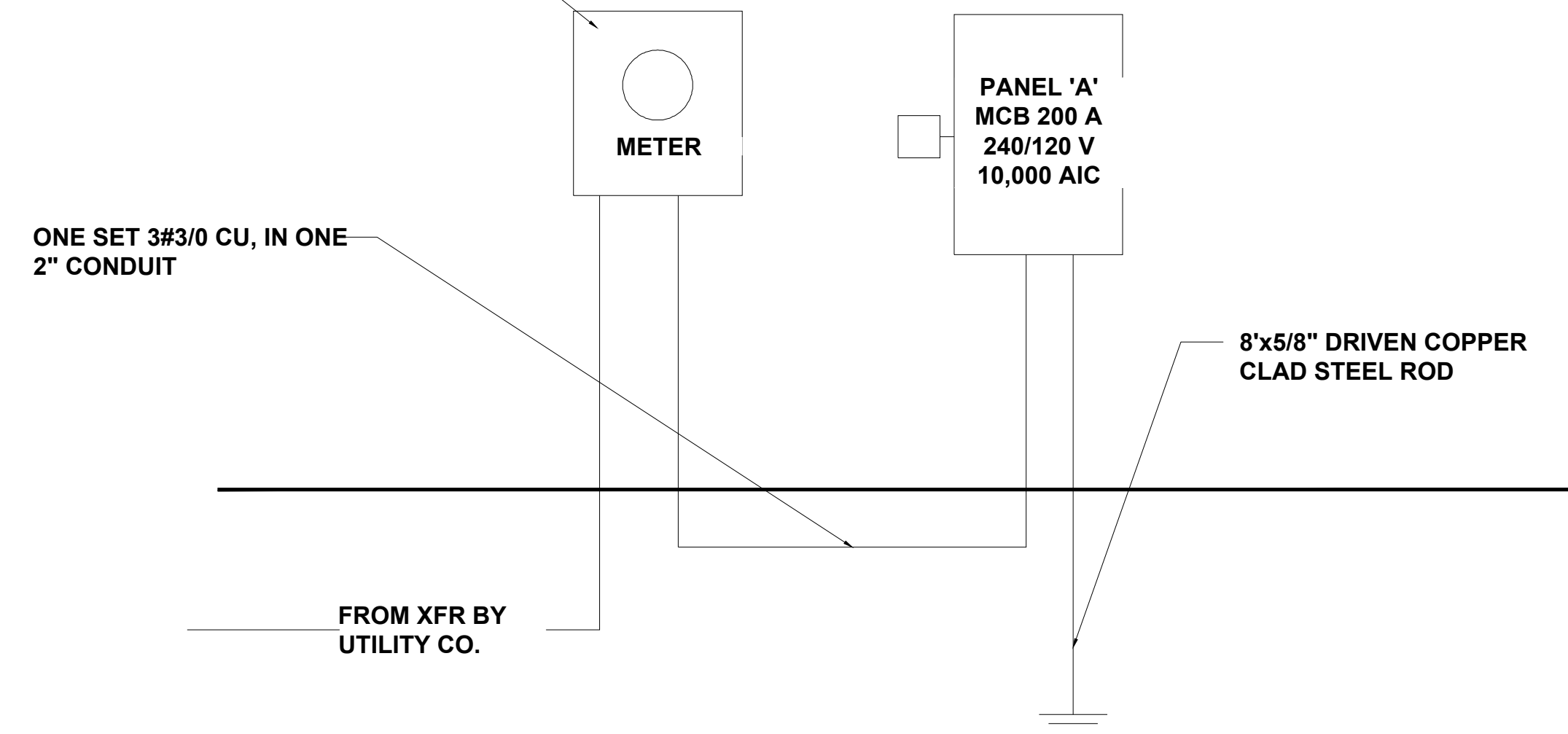
ELECTRICAL PLANS

E1.0

PANEL : A											
VOLTAGE (L-N): 120				ENCLOSURE TYPE: NEMA 3R							
VOLTAGE (L-L): 240				MOUNTING: SURFACE							
PHASES, WIRES: 1 φ. 3 W				AIC RATING: 22000							
MINIMUM BUS CAPACITY (A): 200 A				NOTES: ----							
MAIN O.C. DEVICE (A): 200 A											
CKT NO	DESCRIPTION	TRIP AMPS	POLE	PHASE LOADS (VA)				POLE	TRIP AMPS	DESCRIPTION	CKT NO.
				A	B						
1	LIGHTING GENERAL	20	1	600	400			1	20	REC: MEN,WOMEN	2
3	LIGHTING EXTERIOR	20	1		400	600		1	20	REC: EXTERIOR, PUMP	4
5	LIGHTING RESTROOM	20	1	500	800			1	20	REC: EWC	6
7	POOL LIGHTS	20	1		700	800		1	20	HVAC: UH-1	8
9	POOL LIGHTS	20	1	700	800			1	20	HVAC: UH-1	10
11	POOL LIGHTS (FUTURE)	20	1		700	800		1	20	HVAC: UH-1	12
13	POLE LIGHTS	20	1	700	360			2	20	POWER CENTER	14
15	SPACE	-	1		0	360		2	20	POWER CENTER	16
17	SPACE	-	1	0	360			1	20	EASY TOUCH	18
19	WH-1	35	2			3000	0	1	-	SPACE	20
21			2	3000	0			1	-	SPACE	22
23	H.C. LIFT CHARGER	20	1			200	0	1	-	SPACE	24
25	CHEMICAL FEED PUMP	20	1	400	0			1	-	SPACE	26
27	CHEMICAL CONTROLLER	20	1			200	0	1	-	SPACE	28
29	CHEMICAL CONTROLLER	20	1	200	0			1	-	SPACE	30
31	FOUNTAIN PUMP	30	2			3200	0	1	-	SPACE	32
33			2	3200	0			1	-	SPACE	34
35	SHUNT TRIP					0	0	1	-	SPACE	36
37	POOL PUMP	40	2			3100	0	1	-	SPACE	38
39			2			3100	0	1	-	SPACE	40
41	SHUNT TRIP			0	0			1	-	SPACE	42
CONNECTED LOAD PHASE TOTALS (VA)											
				15120		14060				DEMAND LOAD	31.88 KVA
										SPARE CAPACITY	16.12 KVA
				CONNECTED LOAD (KVA)		DEMAND FACTOR		DEMAND LOAD (KVA)		SPARE CAPACITY	67.0 AMPS
										SPARE CAPACITY	33%
				LIGHTS							
				RECEPTACLES FIRST 10KVA		1.8		1.8			
				RECEPTACLES REMAINING		-		-			
				HVAC UNIT HEATER		0.8		1.25			
				HVAC REMAINING		1.6		1.6			
				WATER HEATER		6		1.25			7.5
				POOL EQUIP.		14.6		1			14.6
				TOTAL:		29.1		31.88			
				LOAD (AMPS)		121		133			

LIGHTING FIXTURE SCHEDULE										
MARK	MANUFACTURER	MODEL NUMBER	MOUNTING	# OF LAMPS	LAMP TYPE	TOTAL WATTS	VOLTS	REMARKS		
A	LITHONIA	DMW 1 32 120 ES	SURFACE	1	F32W T8	36	120	48" T8 FLUORESCENT STRIP LIGHTING FIXTURE W/ ENCLOSED FIBERGLASS HOUSING		
B	LITHONIA	WC 2 32 120	SURFACE	2	F32W T8	64	120	48" GENERAL PURPOSE T8 FLUORESCENT WALL BRACKET LIGHTING FIXTURE		
C	LITHONIA	LB 232 120	SURFACE	2	F32W T8	64	120	4' LOW PROFILE WRAPAROUND FLUORESCENT LIGHTING FIXTURE WITH PRISMATIC ACRYLIC LENS		
F	HUNTER FANS	21955 FAN	CEILING	-	-	-	120	52" MARINER SERIES OUTDOOR WHITE CEILING FAN WITH PENDANT MOUNT WHERE REQ. COORD. MOUNTING HEIGHT WITH OWNER		
G	LITHONIA	AF 2 18TRT 6AR 120	RECESSED	2	CF 18W TRT	36	120	6" NOMINAL APERTURE RECESSED DOWNLIGHT WITH CLEAR ALZAC REFLECTOR, DAMP LABEL WHERE APPLICABLE		
L	SEAGULL	8920-12	SURFACE	1	CF 22W QUAD	26	120	EXTERIOR CARRIAGE STYLE WALL LANTERN WITH ACRYLIC PANELS, RATED FOR OUTDOOR USE. COORDINATE MOUNTING HEIGHT.		
EMC	LITHONIA	PS DL3 ELR	EXTERNAL	-	-	3	120/277	COMPACT FLUORESCENT EMERGENCY BATTERY PACK. PROVIDES ONE LAMP 90 MINUTE BATTERY BACKUP AT PARTIAL LUMEN OUTPUT		
EX	LITHONIA	LQM SW - R 120/277 EL N	UNIVERSAL	-	LED	< 1	120/277	THEROPLASTIC LED EXIT SIGN WITH RED LETTERS AND WHITE HOUSING. PROVIDE 90 MINUTE BATTERY BACKUP.		
EL	LITHONIA	ELM654 H1212	UNIVERSAL	2	H1212	54	120/277	SURFACE MOUNTED EMERGENCY LIGHT. MOUNT AT 80" AFF TO BOTTOM. PROVIDE WITH 90 MINUTE BATTERY BACKUP.		

METER BASE PROVIDED AND INSTALLED BY ELECTRICAL CONTRACTOR, TO UTILITY REQUIREMENTS. METER PROVIDED AND INSTALLED BY UTILITY. MOUNT METER AT THE MINIMUM HEIGHT ABOVE FINAL GRADE. COORDINATE REQUIREMENTS WITH UTILITY



ELECTRICAL RISER

NTS



P-0961



JDS Consulting PLLC, 8600 TP JERSEY CT, RALEIGH, NC 27617 919.480.1075
 INFO@JDSCONSULTING.NET; WWW.JDSCONSULTING.NET
 JDS Consulting PLLC IS NOT LIABLE FOR CHANGES MADE TO PLANS DUE TO CONSTRUCTION METHODS OR ANY CHANGES TO PLANS MADE IN THE FIELD. THE LOT NUMBER, PROPERTY, OR AS A MASTER PLAN AS SPECIFIED ON TITLE SHEET. DIMENSIONS SHALL GOVERN OVER SCALE, AND CODE SHALL GOVERN OVER DIMENSIONS ON DRAWINGS.

CLIENT: **MATTAMY HOMES**
 PROJECT: **PROVINCE CREEK AMENITY CENTER & POOL**
 LOCATION: **196 PROVIDENCE CREEK DRIVE, FUQUAY-VARINA, NC 27526**

SCALE: 1/4" = 1'-0" FOR 24x36 PAPER, NOT TO SCALE FOR 11x17 PAPER, OR AS NOTED

PROJECT NO.: **23900139**

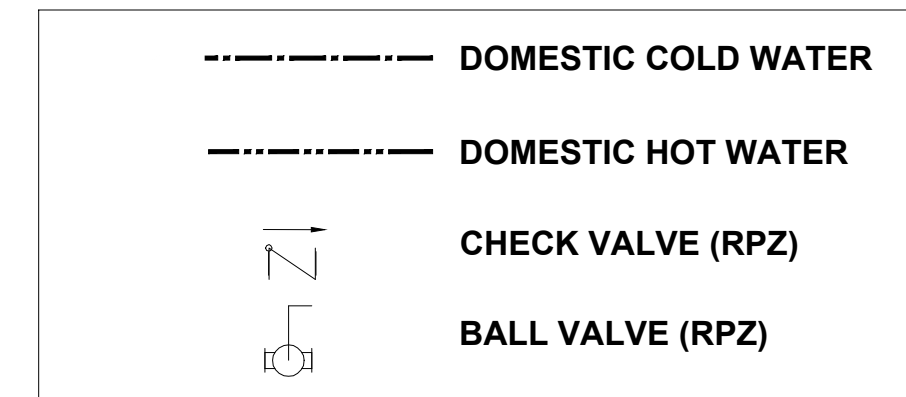
DATE: **05/02/2023** DRAWN BY: **FAB**

ELECTRICAL SCHEDULES

E1.1

PLUMBING ABBREVIATIONS

ABV ABOVE
 AFF ABOVE FINISHED FLOOR
 HB HOSE BIBB
 REF REFRIGERATOR
 RPZ BACK FLOW PREVENTER
 TWH INLINE WATER HEATER
 VTR VENT THRU ROOF



P-0961

PLUMBING FIXTURE SCHEDULE

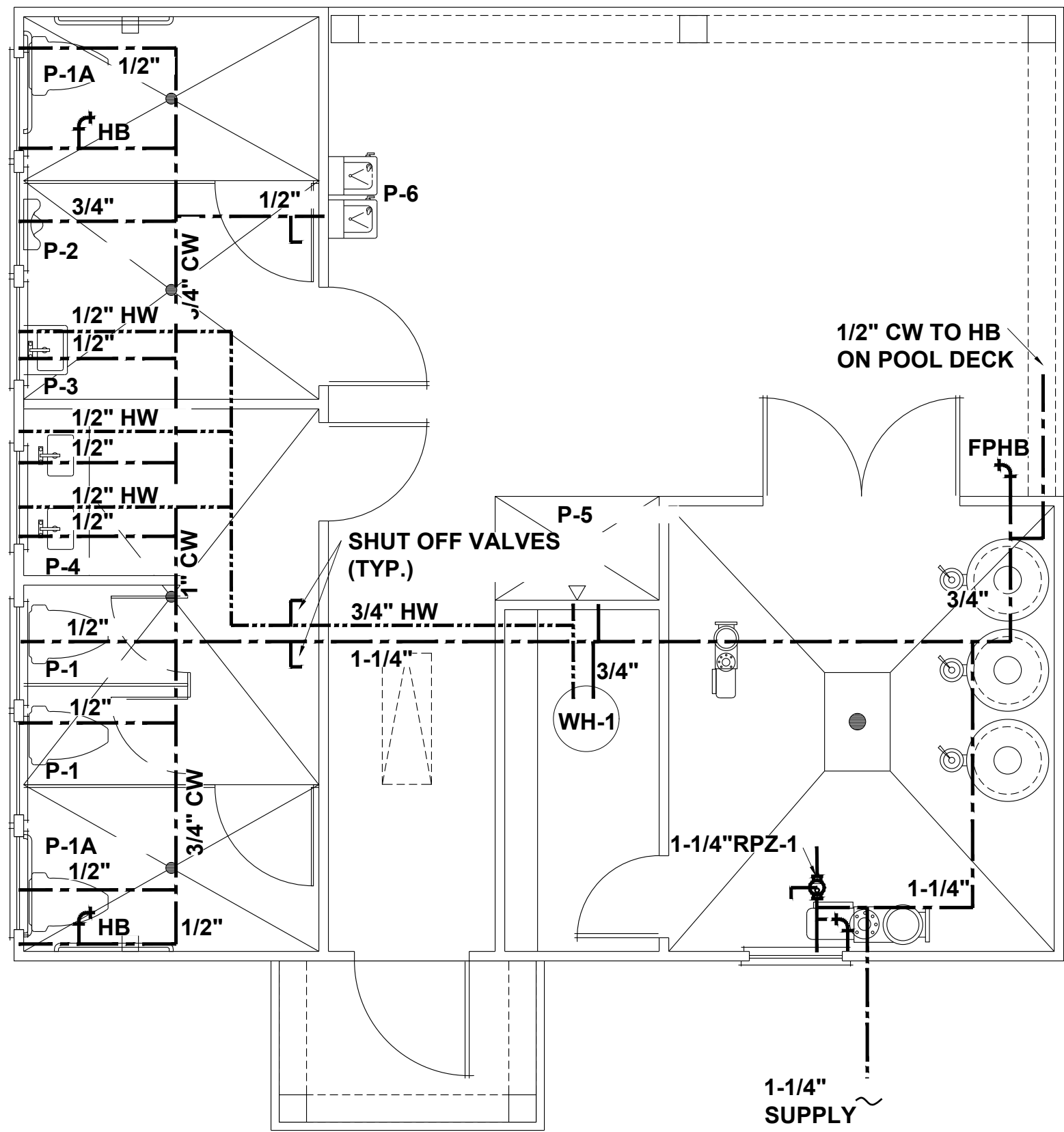
SYMBOL	FIXTURE	TYPE	MANUFACT.	MODEL	MATERIAL	STYLE	FAUCET/VALVE			DRAIN		SUPPLIES AND STOPS	PIPE SIZES				MOUNTING	NOTES	
							MANUFACT. MODEL NO.	SPOUT	HANDLES	CENTERS	TYPE		SIZE	WASTE	VENT	CW			HW
P-1	WATER CLOSET	FLUSH TANK	AMERICAN STANDARD	2435.012	VITREOUS CHINA	STANDARD ELONGATED	-	-	-	-	-	MCGUIRE 185	3"	2"	1/2"	-	FLOOR	PROVIDE WITH OPEN FRONT SEAT WITH NO LID	
P-1A	WATER CLOSET	FLUSH TANK	AMERICAN STANDARD	2437.012	VITREOUS CHINA	ADA ELONGATED	-	-	-	-	-	MCGUIRE 185	3"	2"	1/2"	-	FLOOR	PROVIDE WITH OPEN FRONT SEAT WITH NO LID AT ADA HEIGHT	
P-2	URINAL	FLUSH VALVE	AMERICAN STANDARD	6541.132	VITREOUS CHINA	ADA ELONGATED	SLOAN ROYAL 186-1-ADA	-	-	-	-	-	3"	1-1/2"	3/4"	-	WALL	MOUNT AT REQUIRED ADA HEIGHT	
P-3	LAVATORY	WALL HUNG	AMERICAN STANDARD	355.012	VITREOUS CHINA	ADA COMPLIANT	MOEN 8894	CENTERSET	SINGLE LEVER	4"	GRID	1-1/2"	MCGUIRE 175	2"	1-1/2"	1/2"	1/2"	WALL HUNG	MOUNT AT ADA HEIGHT METERING FAUCET PROVIDE SHOCK ARRESTOR
P-4	LAVATORY	SINGLE COMPT	AMERICAN STANDARD	476.028	VITREOUS CHINA	ADA OVAL	MOEN 8894	CENTERSET	SINGLE LEVER	4"	GRID	1-1/2"	MCGUIRE 175	2"	1-1/2"	1/2"	1/2"	COUNTER TOP	MOUNT AT ADA HEIGHT METERING FAUCET PROVIDE SHOCK ARRESTOR
P-5	SHOWER	BY G.C.	-	-	-	ADA 58"x38"	WM-442-ADA	-	SINGLE LEVER	-	INTEGRAL	2"	-	2"	1-1/2"	1/2"	1/2"	FLOOR	PRESSURE BALANCE VALVE, SHOWER HEAD, ARM, FLANGE, & DRAIN
P-6	WATER COOLER	DOUBLE STATION	ELKAY	VRCTLFR8SC	STAINLESS STEEL	ADA COMPLIANT	-	-	-	-	1-1/2"	MCGUIRE 165	2"	1-1/2"	1/2"	1/2"	WALL	MOUNT AT ADA HEIGHT FROST RESISTANT VANDAL RESISTANT	
WH-1	WATER HEATER	ELECTRIC	RHEEM	PROE38 S2 RH95	GLASS LINED	LOWBOY	-	-	-	-	-	-	-	-	3/4"	3/4"	PLATFORM	38 GALLONS, 6.0 KW, 240V, 1.28 GPM REC AT 90F RISE. DRAIN PAN. SET TO 105F	
FD	FLOOR DRAIN	SQUARE TOP	J.R.SMITH	2010	PVC	NIKALOY	-	-	-	-	-	-	-	-	-	-	FLOOR		
WCO	WALL CLEAN-OUT	ROUND COVER	J.R.SMITH	4472	PVC	S.S. COVER	-	-	-	-	-	-	-	-	-	-	WALL		
HB	HOSE BIBB	STANDARD	WOODFORD	24P	CAST BRASS	WALL FAUCET	-	-	LOOSE KEY	-	-	-	-	-	1/2"	-	WALL	W/ PERMANENT VACUUM BREAKER	
FPHB	HOSE BIBB	FREEZE PROOF	WOODFORD	25	CAST BRASS	WALL FAUCET	-	-	LOOSE KEY	-	-	-	-	-	1/2"	-	WALL	COORD. W/ WALL THICKNESS W/ PERMANENT VACUUM BREAKER	

PLUMBING NOTES

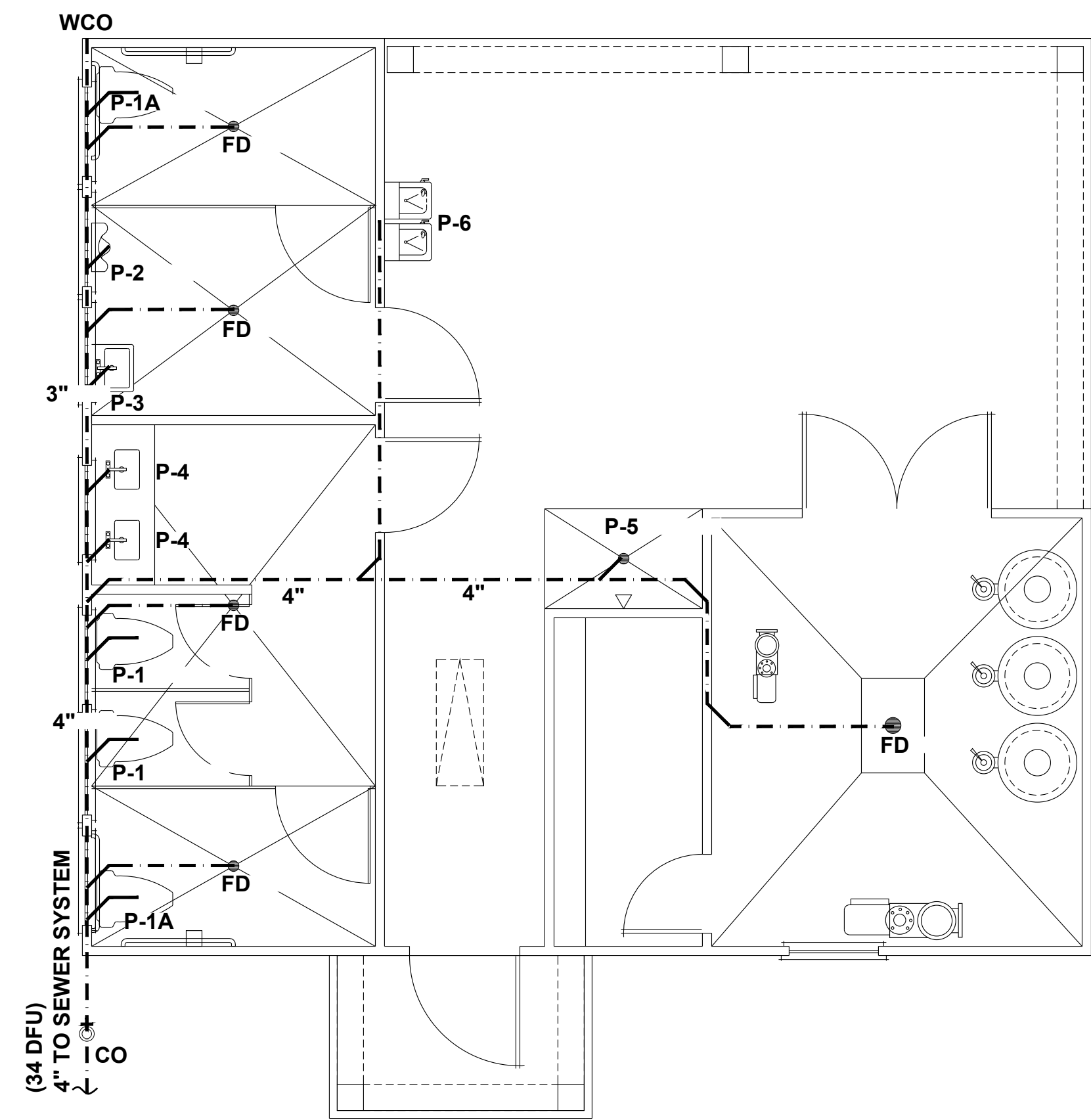
- THE PLUMBING CONTRACTOR SHALL PROVIDE ALL LABOR, MATERIAL, AND EQUIPMENT REQUIRED FOR THE COMPLETION AND OPERATION OF ALL SYSTEMS IN THIS SECTION OF WORK IN ACCORDANCE WITH THE APPROVED EDITIONS OF THE PLUMBING CODE, THE LOCAL ADMINISTRATIVE AUTHORITY AND APPLICABLE NFPA CODES. INSULATE DOMESTIC COLD & HOT WATER PIPING. PATCH EXISTING INSULATION WHERE DAMAGED UNDER CONSTRUCTION AND WHERE NEW CONNECTIONS ARE MADE.
- THE CONTRACTOR SHALL APPLY AND PAY FOR ALL NECESSARY PERMITS, FEES, AND INSPECTIONS REQUIRED BY ANY PUBLIC AUTHORITY HAVING JURISDICTION. ACREAGE CHARGES, BONDS, PROPERTY ASSESSMENTS AND FACILITIES CHARGE SHALL NOT BE CONSTRUED TO BE A PART OF THIS CONTRACT.
- ALL MATERIALS AND EQUIPMENT PROVIDED AND/OR INSTALLED UNDER THIS SECTION OF THE SPECIFICATIONS SHALL BE GUARANTEED FOR A PERIOD OF 1 YEAR FROM THE DATE OF TURNOVER OF THE WORK TO THE OWNER.
- THE PLUMBING CONTRACTOR SHALL COORDINATE WORK WITH THE CONTRACTORS OF OTHER TRADES, AND COMPLETE THE ENTIRE INSTALLATION AS SOON AS THE CONDITIONS OF THE BUILDING PERMITS.
- INSTALL ANY GAS PIPING IN ACCORDANCE WITH CURRENT GAS CODES, REQUIREMENTS OF LOCAL GAS SUPPLIER AND N.B.F.U.
- DOMESTIC WATER PIPE AND FITTINGS INSIDE BUILDINGS SHALL BE TYPE L COPPER BELOW AND ABOVE GRADE, JOINTS SHALL BE 95/5 SOLDER.
- FIRE STOP ALL PENETRATIONS, BY PIPING OR CONDUITS, OF FIRE RATED WALLS, FLOORS AND PARTITIONS. PROVIDE A DEVICE(S) OR SYSTEM(S) WHICH HAS BEEN TESTED AND LISTED AS COMPLYING WITH ASTM E-814. INSTALL THE DEVICE(S) OR SYSTEM(S) IN ACCORDANCE WITH THE CONDITIONS OF THEIR LISTING, PROVIDE A DEVICE(S) OR SYSTEM(S) PENETRATED.
- ALL PLUMBING FIXTURES ARE TO BE EQUIPPED WITH WATER HAMMER ARRESTORS AS PER PLUMBING CODE 604.9. ARRESTORS ARE EXEMPT IF PLASTIC PIPE USED, PC 604.9 PLUMBING CONTRACTOR AND GENERAL CONTRACTOR TO VERIFY.
- ALL PLUMBING MATERIALS USED WILL COMPLY WITH THE LATEST PLUMBING CODE.
 - ANY ABOVE-GROUND DRAINAGE AND VENT PIPING SHALL COMPLY WITH SECTION 702.1
 - ANY UNDERGROUND SANITARY DRAINAGE AND VENT PIPING SHALL COMPLY WITH SECTION 702.2
 - ANY WATER SERVICE PIPE SHALL COMPLY WITH SECTION 605.3
 - ANY WATER DISTRIBUTION PIPE SHALL COMPLY WITH SECTION 605.4
- ALL PIPING ABOVE TOP PLATE, OR OUTSIDE THERMAL ENVELOPE, SHALL BE INSULATED TO A MINIMUM OF R6.5 WITHOUT EXCEPTION. ALL PLUMBING LOCATED IN WALL SHALL BE ON WARM SIDE OF INSULATION.

MATERIAL SPECIFICATIONS

- PIPE INSULATION: DG TURBOLIT FOAM PIPE INSULATION
- WASTE: SCHEDULE 40 PVC
- VENT: SCHEDULE 40 PVC
- DOMESTIC WATER: COPPER / PEX / CPVC



SUPPLY PLAN
 SCALE: 1/4" = 1'-0"



WASTE PLAN
 SCALE: 1/4" = 1'-0"

JDS Consulting
 ENGINEERING · DESIGN · ENERGY

JDS Consulting PLLC, 8600 P. JERSEY CT. RALEIGH, NC 27617 919.480.1075
 INFO@JDSCONSULTING.NET WWW.JDSCONSULTING.NET

JDS Consulting PLLC IS NOT LIABLE FOR CHANGES MADE TO PLANS DUE TO CONSTRUCTION METHODS OR ANY CHANGES TO PLANS MADE IN THE FIELD. THE LOT NUMBER, PROPERTY, OR AS A MASTER PLAN AS SPECIFIED ON TITLE SHEET. DIMENSIONS SHALL GOVERN OVER SCALE, AND CODE SHALL GOVERN OVER DIMENSIONS OF DRAWINGS.

CLIENT: **MATTAMY HOMES**
 PROJECT: **PROVINCE CREEK AMENITY CENTER & POOL**
 LOCATION: **196 PROVIDENCE CREEK DRIVE, FUQUAY-VARINA, NC 27526**

PROJECT NO.: **23900139**
 DATE: **05/02/2023** DRAWN BY: **FAB**

PLUMBING PLANS
P1.0

SCALE: 1/4" = 1'-0" FOR 24x36 PAPER, NOT TO SCALE FOR 11x17 PAPER, OR AS NOTED

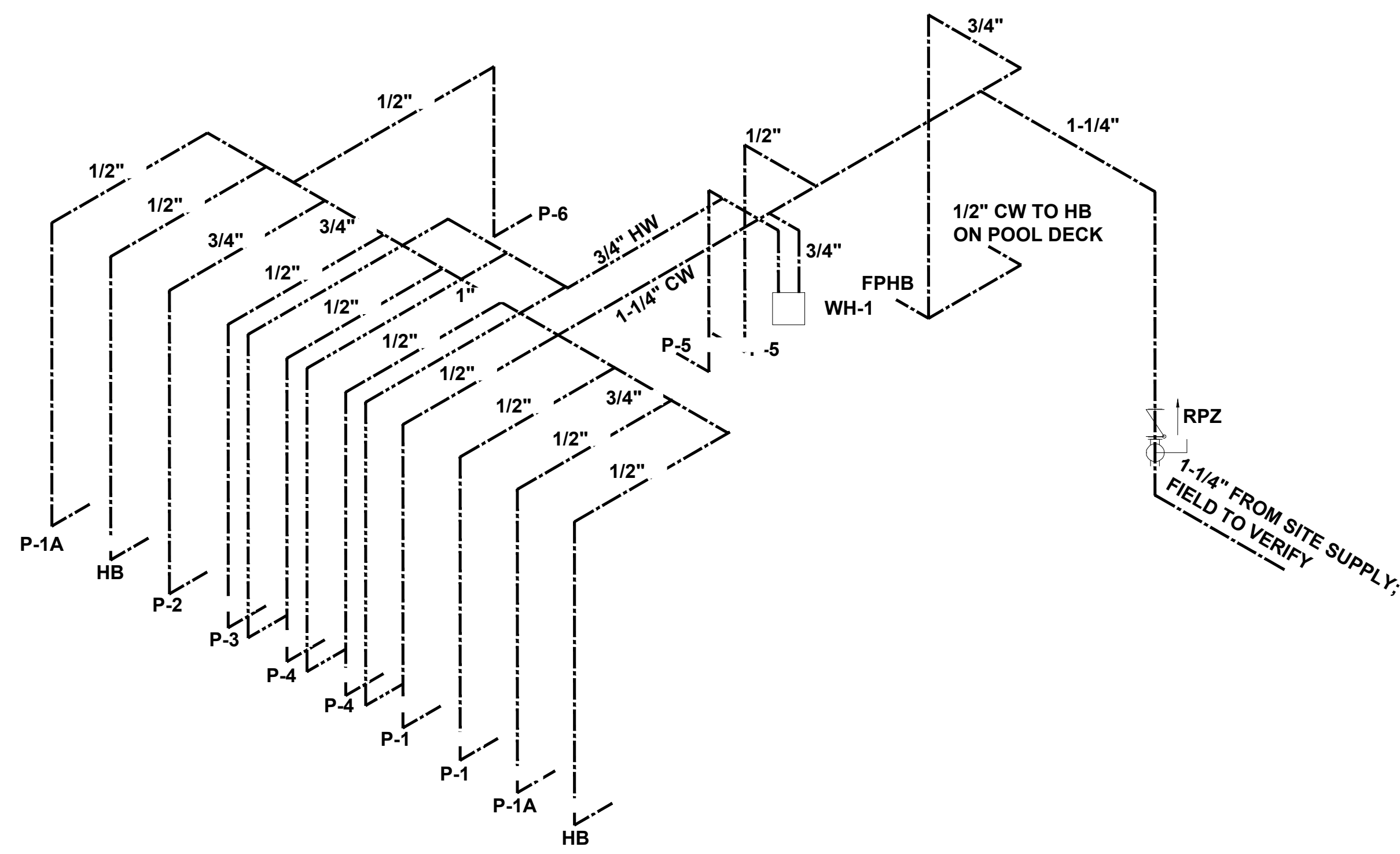


P-0961

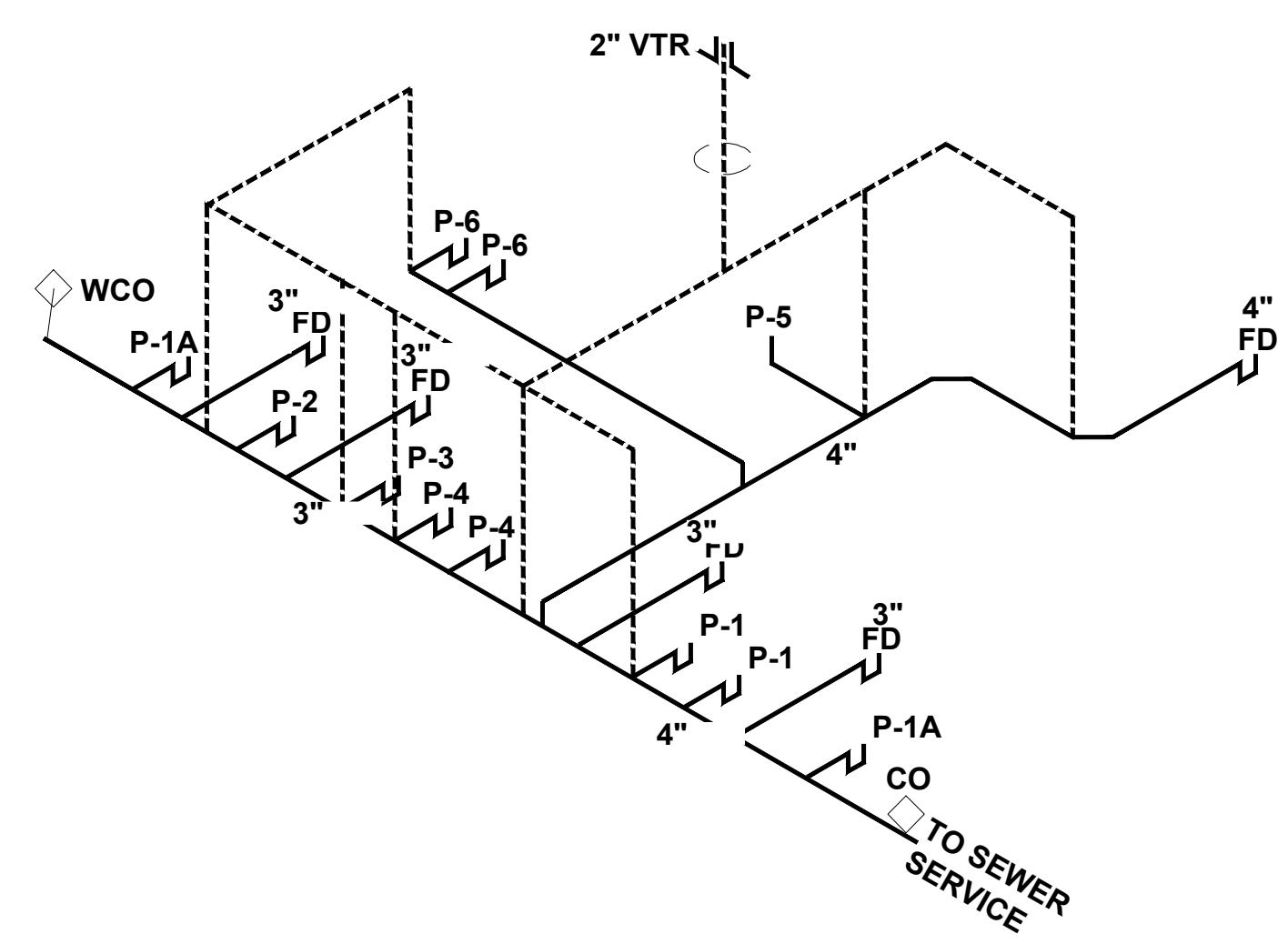
JDS Consulting
 ENGINEERING · DESIGN · ENERGY

JDS Consulting PLLC, 9600 P. JERSEY CT. RALEIGH, NC 27617 919.480.1075
 INT06@JDSCONSULTING.NET WWW.JDSCONSULTING.NET

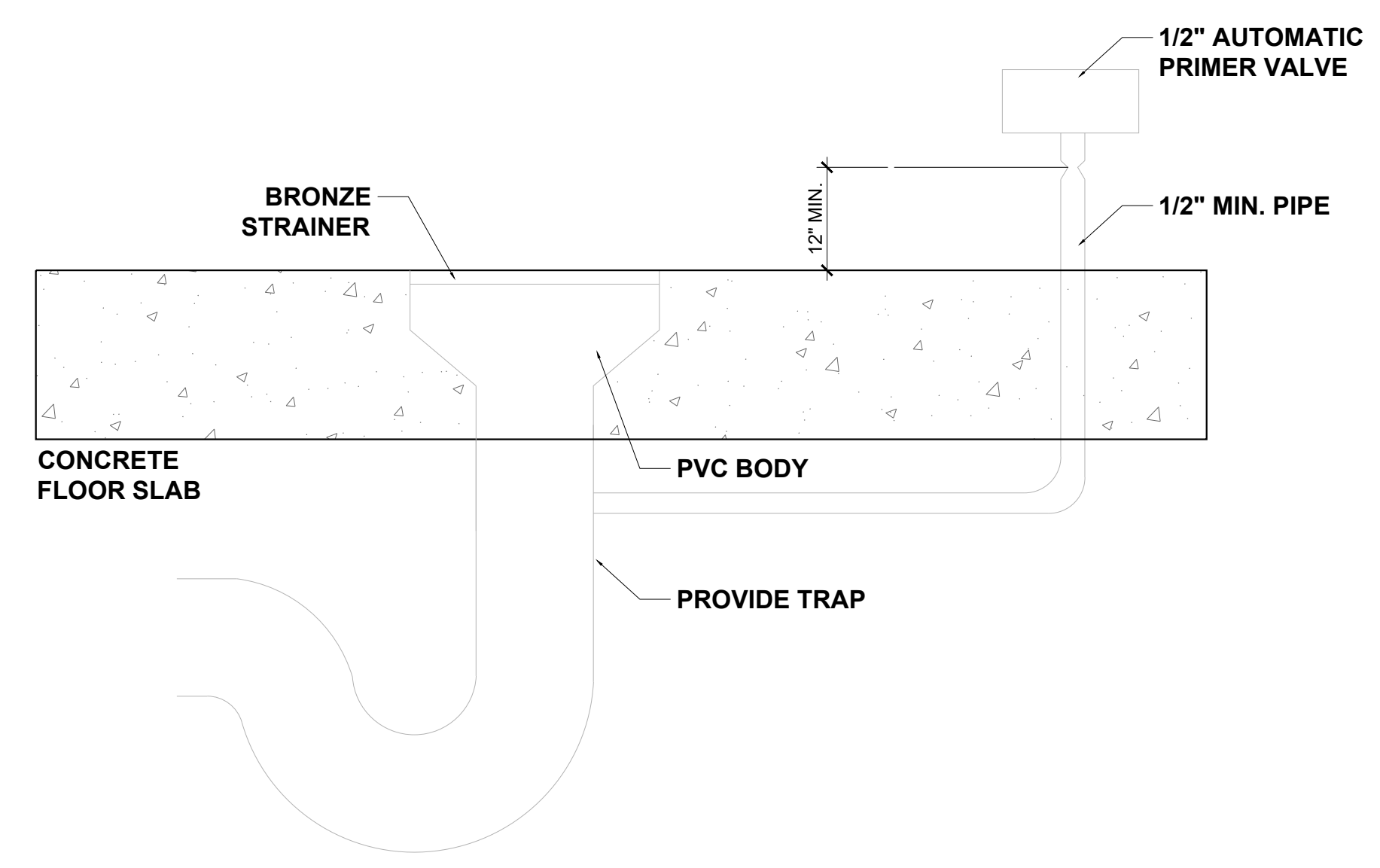
JDS Consulting PLLC IS NOT LIABLE FOR CHANGES MADE TO PLANS DUE TO CONSTRUCTION METHODS OR ANY CHANGES TO PLANS MADE IN THE FIELD. THE CONTRACTOR SHALL BE RESPONSIBLE FOR VERIFYING THE ACCURACY OF THE LOT NUMBER, PROPERTY, OR AS A MASTER PLAN AS SPECIFIED ON TITLE SHEET. DIMENSIONS SHALL GOVERN OVER SCALE, AND CODE SHALL GOVERN OVER DIMENSIONS IN DRAWINGS.



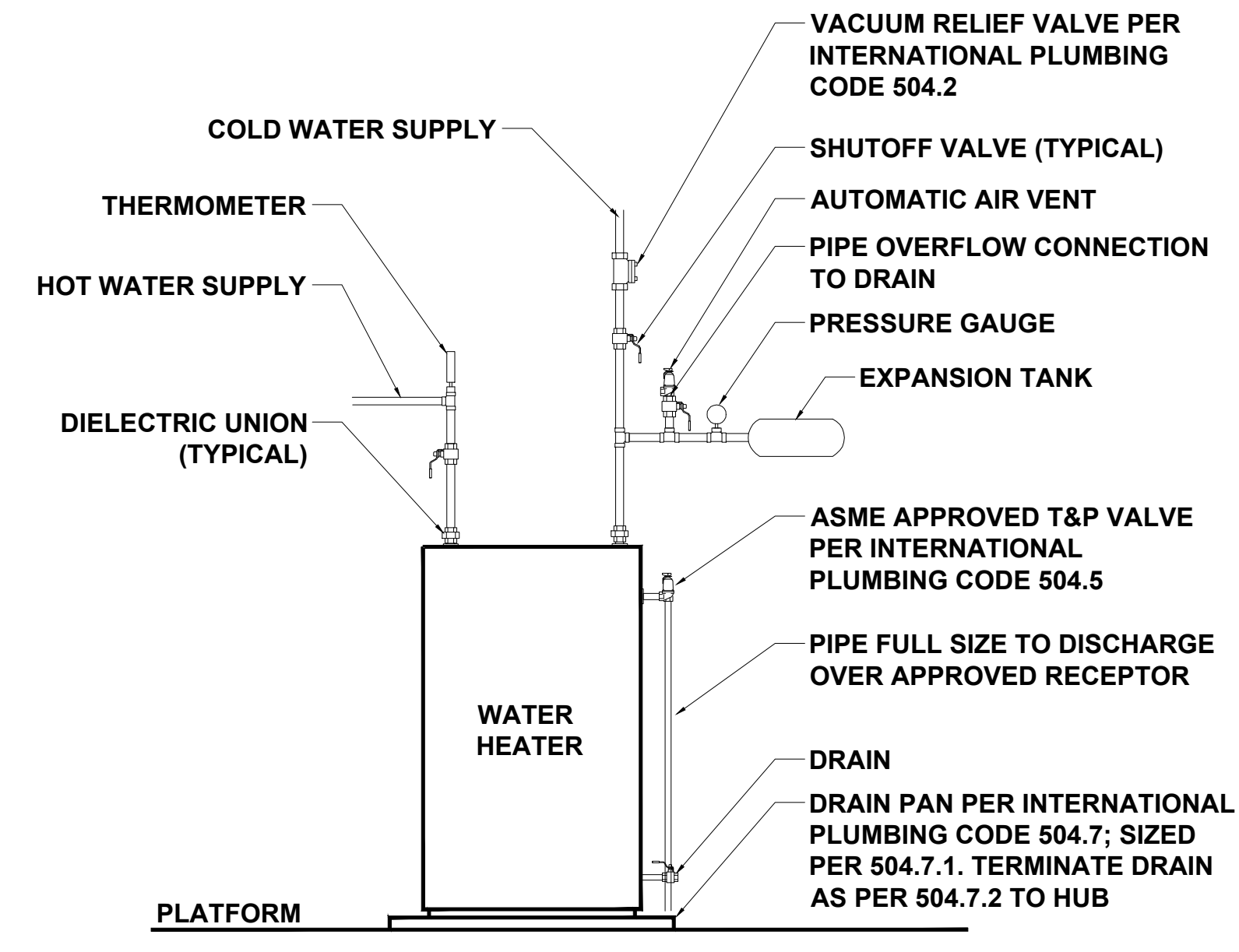
DOMESTIC WATER SUPPLY RISER



SS RISER



FLOOR DRAIN DETAIL



TYPICAL WATER TANK HEATER DETAIL

CLIENT: **MATTAMY HOMES**
 PROJECT: **PROVINCE CREEK AMENITY CENTER & POOL**
 LOCATION: **196 PROVIDENCE CREEK DRIVE, FUQUAY-VARINA, NC 27526**

PROJECT NO.: **23900139**

DATE: **05/02/2023** DRAWN BY: **FAB**

PLUMBING NOTES AND DETAILS

P1.1

SCALE: 1/4" = 1'-0" FOR 24x36 PAPER, NOT TO SCALE FOR 11x17 PAPER, OR AS NOTED

POOL PIPING NOTES

- WHERE PIPE IS RUN UNDER FOOTINGS - PROVIDE SCHEDULE 40 PVC SLEEVE A MIN. OF 1'-0" BELOW THE BOTTOM OF THE FOOTER. SUBGRADE ABOVE SLEEVE TO BE COMPACTED TO MIN. REQUIREMENTS FOR FOUNDATION SYSTEM.
- ALL POOL PIPE TO BE PRESSURE RATED SCHEDULE 40 PVC. PIPE CONNECTIONS TO SKIMMERS, VACUUM LINES AND PIPES TO BE WELDED.
- PROVIDE 1" LINE OVERFLOW PIPE TO RUN TO DAYLIGHT OUTSIDE OF POOL DECK ENCLOSURE.
- ALL PIPE RUNS ARE SCHEMATIC. RUN PIPE TO MINIMIZE TRENCHING/EXCAVATION.
- ALL PIPE SHALL BE MARKED DESIGNATING FLOW DIRECTION AND IDENTITY.

GENERAL NOTES - ELECTRICAL

- SEE ELECTRICAL PLANS BY OTHERS FOR ALL ELECTRICAL DESIGN, INCLUDING ELECTRICAL SPECIFICATIONS, CIRCUITING, AND CONNECTION OF ELECTRICAL DEVICES SCHEDULED ON THE POOL PLANS.
- THE SWIMMING POOL DESIGN INCLUDES, FOR INFORMATION ONLY, CUT SHEETS OF THE UNDERWATER LIGHT FIXTURES, POOL PUMPS AND OTHER POOL EQUIPMENT THAT REQUIRES AN ELECTRICAL CONNECTION, AND THE LOCATION OF THESE ITEMS OF EQUIPMENT.
- BOND ALL NON CURRENT CARRYING METALLIC PARTS RELATING TO POOL. SEE THE BONDING DETAIL ON THIS SHEET.
- AREA LIGHTING NOTE: AREA LIGHTING OF THE POOL DECK IS BY OTHERS.
 - AREA LIGHTING IS TO ILLUMINATE ALL PARTS OF THE POOL, THE WATER, THE DEPTH MARKERS, SIGNS, ENTRANCES, RESTROOMS, SAFETY EQUIPMENT AND THE REQUIRED DECK AREA AND WALKWAYS.
 - NIGHT SWIMMING IS NOT ALLOWED UNTIL AREA LIGHTING IS PROVIDED.
 - REQUIRED TO PROVIDE SUFFICIENT ILLUMINATION OF THE MAIN DRAINS OF THE POOL.
 - REQUIRED TO PROVIDE SUFFICIENT ILLUMINATION OF THE REQUIRED DECK AREA OF THE POOL SO THAT IT IS VISIBLE AT ALL TIMES THE POOL IS IN USE.
 - COORDINATE WITH LOCAL INSPECTOR FOR APPROVAL OF PROPOSED LIGHTING.

PUMP FLOW PIPE SIZE BASIS "DESIGN FLOW RATE"

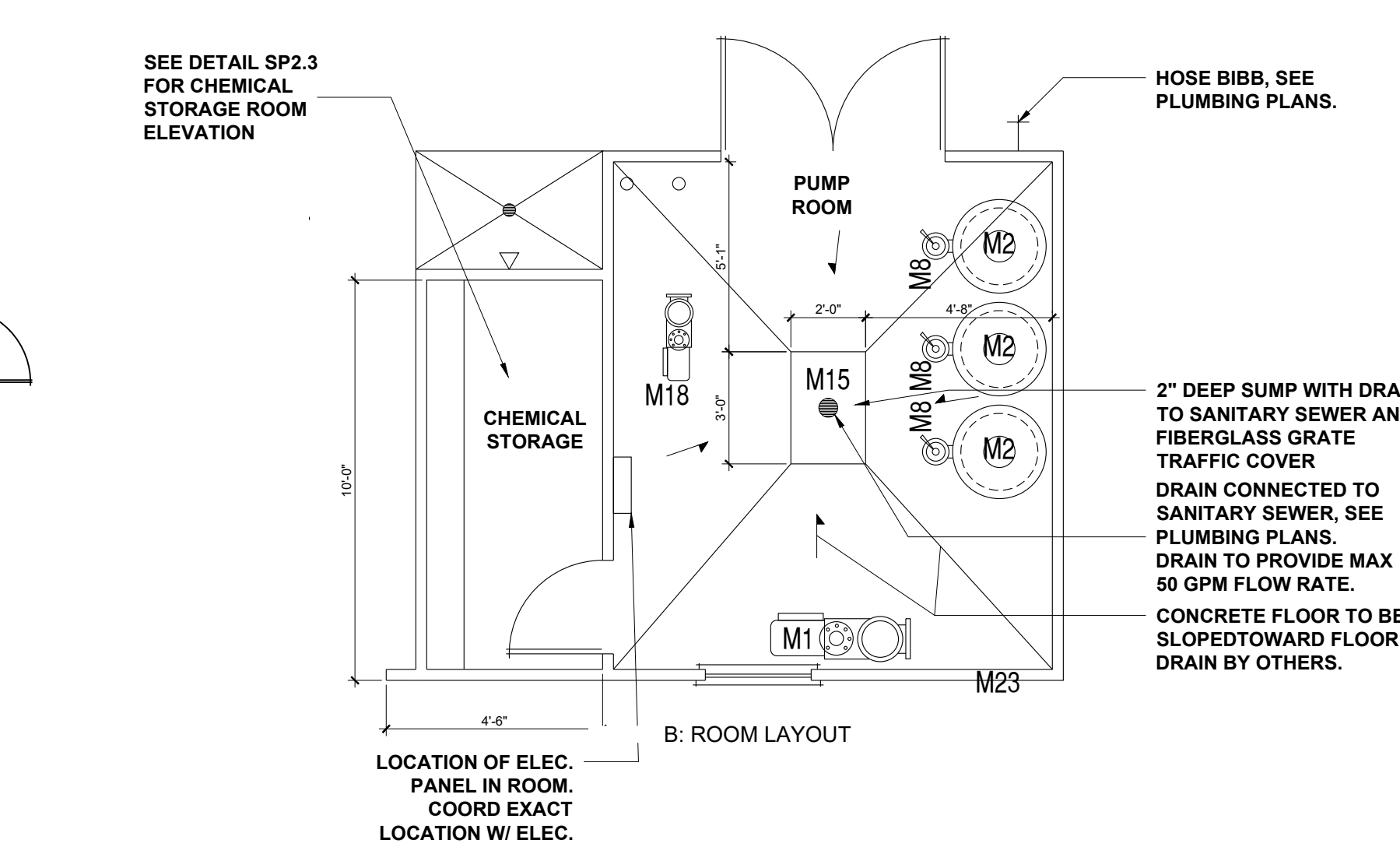
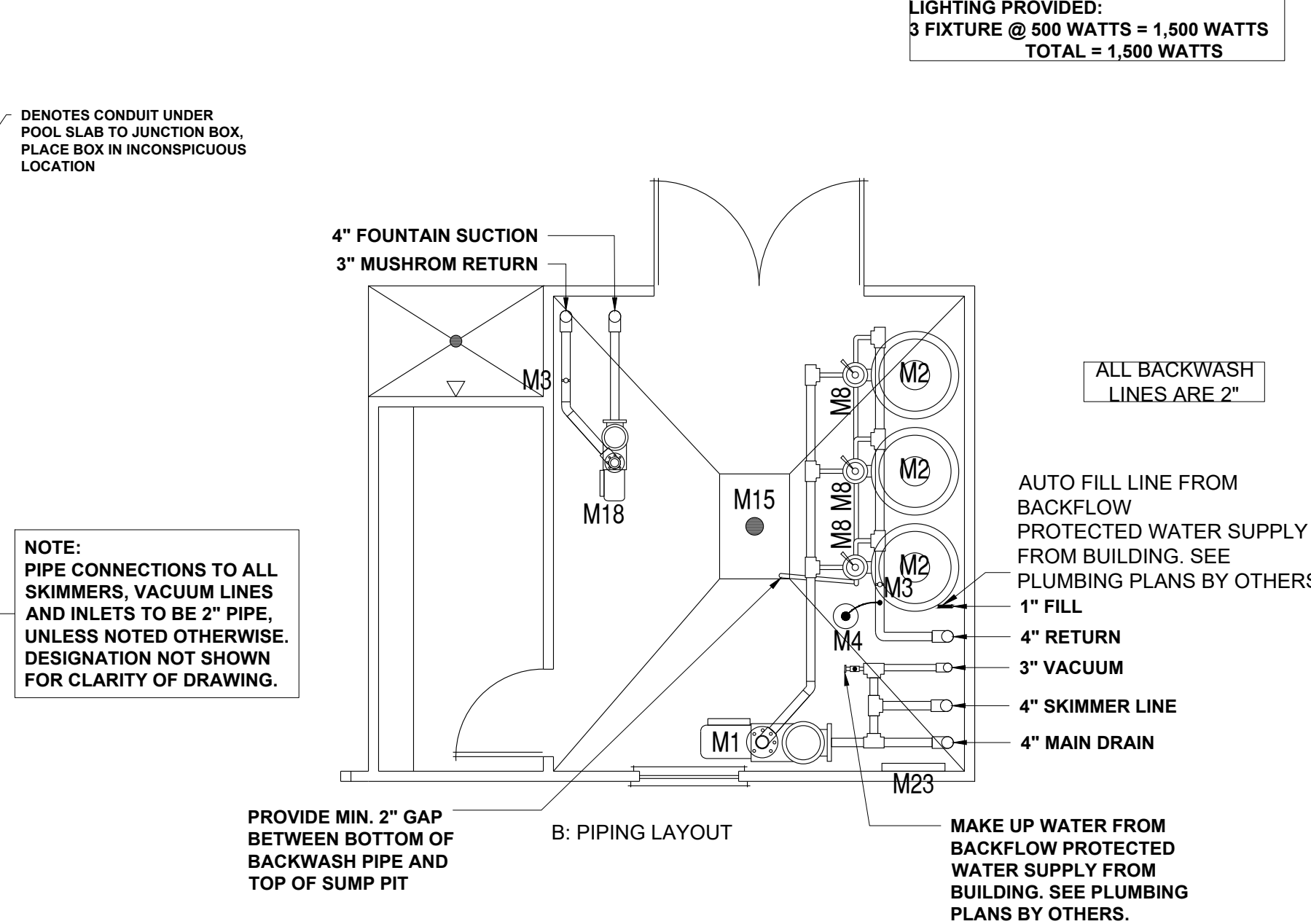
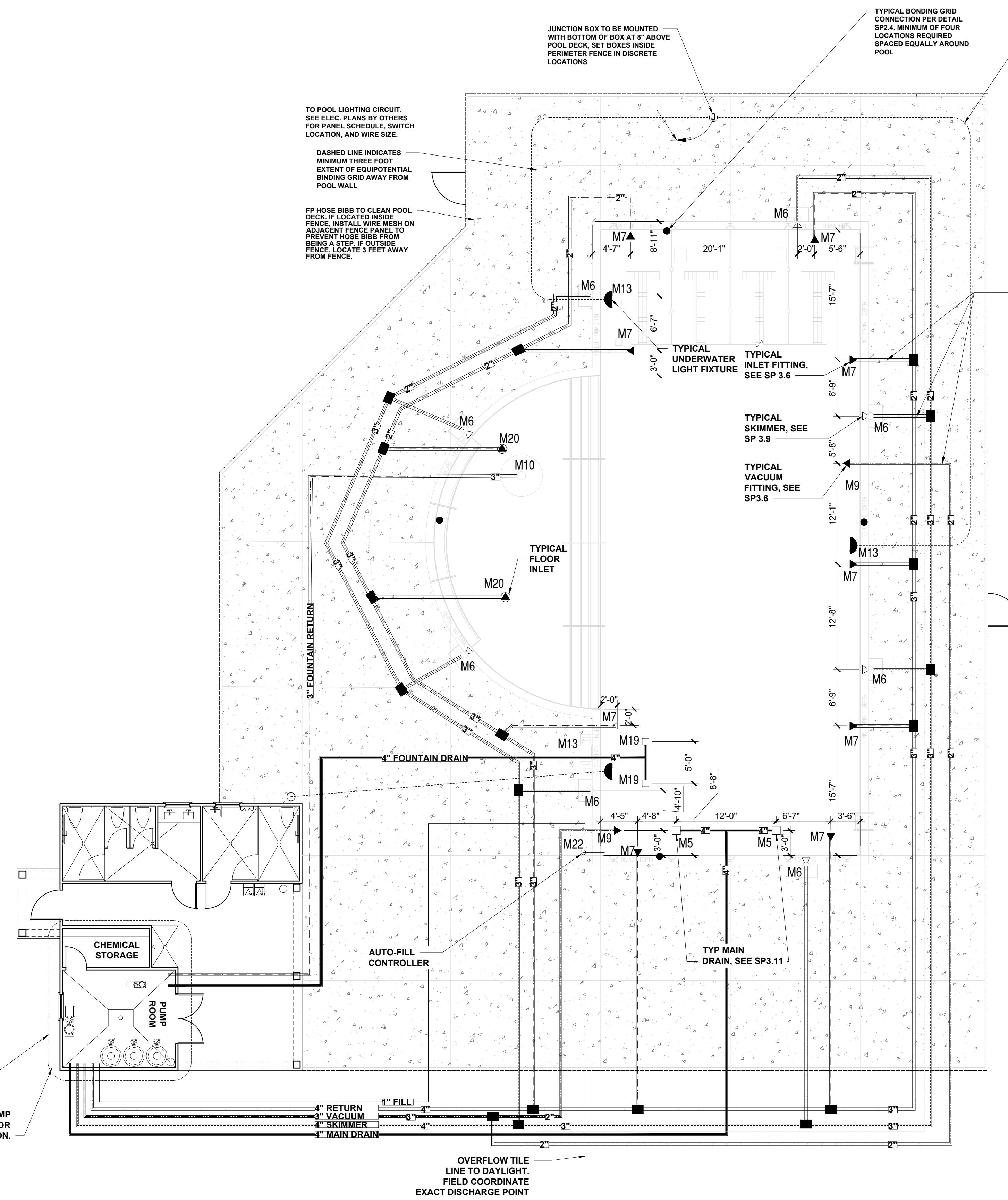
OUTDOOR POOL: EQ500 PUMP FLOW AT 65 FEET OF WATER IS 220 GPM. WITH SPECIFIED 4" MAIN DRAIN, SKIMMER LINES, AND RETURN PIPING VELOCITIES ARE AT 5.9 FPS.

FEATURE PUMP: WFE-12 PUMP FLOW AT 65 FEET OF WATER IS 130 GPM. WITH SPECIFIED 4" MAIN DRAIN VELOCITY IS AT 3.8 FPS AND 3" RETURN PIPING VELOCITY IS AT 6.4 FPS

PIPE LEGEND

	INLET LINE
	SKIMMER LINE
	VACUUM LINE
	DRAIN LINE
	FILL LINE

REQUIRED UNDERWATER LIGHTING FOR:
 MAIN POOL AREA:
 1698 SQ. FT. x 0.5 WATTS = 849 WATTS
LIGHTING PROVIDED:
 3 FIXTURE @ 500 WATTS = 1,500 WATTS
 TOTAL = 1,500 WATTS



ENLARGED PUMP ROOM LAYOUT
 SCALE: N.T.S.

SP1 .1 PIPING AND LIGHTING LAYOUT
 SCALE: 1/4" = 1'-0"



JDS Consulting
 ENGINEERING • DESIGN • ENERGY
 JDS Consulting PLLC, 8600 TP JERSEY CT, RALEIGH, NC 27617 919.480.1075
 INFO@JDSCONSULTING.NET WWW.JDSCONSULTING.NET
 JDS Consulting PLLC IS NOT LIABLE FOR CHANGES MADE TO PLANS DUE TO CONSTRUCTION METHODS OR ANY CHANGES TO PLANS MADE IN THE FIELD. THE LOT NUMBER, PROPERTY, OR AS A MASTER PLAN AS SPECIFIED ON TITLE SHEET. DIMENSIONS SHALL GOVERN OVER SCALE, AND CODE SHALL GOVERN OVER DIMENSIONS ON DRAWINGS.

MATTAMY HOMES
 PROJECT: **PROVINCE CREEK AMENITY CENTER & POOL**
 LOCATION: **196 PROVIDENCE CREEK DRIVE, FUQUAY-VARINA, NC 27526**
 PROJECT NO.: **23900139**
 DATE: **05/02/2023** DRAWN BY: **FAB**
 POOL PIPING LAYOUT
SP1.0
 SCALE: 1/4" = 1'-0" FOR 24x36 PAPER, NOT TO SCALE FOR 11x17 PAPER, OR AS NOTED

CHEMICAL STORAGE NOTES

CHEMICAL STORAGE REQUIREMENTS FOR THE POOL AS FOLLOWS:
 5 SQ FT FOR FIRST 10,000 GALLONS OF POOL PLUS 1 SQ FT FOR EACH ADDITIONAL 3,000 GALLONS OF POOL UP TO 100,000 SQ FT OF STORAGE
 5 SQ FT (FOR FIRST 10,000)
 +21.09 SQ FT (1 SQ FT PER 63,261/3000)
 =26.09 SQ FT REQUIRED
 CLUBHOUSE PROVIDES 45.0 SQ FT FOR CHEMICAL STORAGE.

POOL DECK OCCUPANCY REQUIREMENTS

TOTAL POOL DECK AREA IS 4,734 SF. 8' MINIMUM UN-OCCUPIABLE AREA AROUND THE POOL IS 2,716 SF. GROSS POOL DECK FOR OCCUPANCY EXIT REQUIREMENTS IS 4,734 - 2,716 = 2,018 SF.
 DECK IS 2,618 SF AT 15 SF PER PERSON. DECK OCCUPANT LOAD IS 175.
 COVERED AREA IS 421 SF. AT 15 SF PER PERSON. COVERED AREA OCCUPANT LOAD IS 28.
 POOL AREA IS 2,968 SF. AT 50 SF PER PERSON. POOL OCCUPANT LOAD IS 60.
 TOTAL OCCUPANT LOAD OF 267.0 EQUAL 53' OF EXIT REQUIRED. 3 EXITS REQ'D. MIN. OF 132" SHOWN ON PLAN.
 REQ'D EXIT SEPARATION EQUALS 1/3 THE 133' DIAGONAL, OR 66".

GENERAL VENTILATION NOTES

PUMP ROOM - VERIFY VENTILATION OF THIS ROOM IS EITHER NATURAL CROSS DRAFT OR CONTINUOUS FORCED VENTILATION WHICH DIRECTS VENTED AIR AWAY FROM THE POOL AREA. IF FORCED VENTILATION EQUIPMENT IS USED, IT SHALL RUN CONTINUOUS AND NOT BE CONNECTED TO THE PUMP ROOM LIGHT SWITCH.
 CHEMICAL ROOM - VERIFY VENTILATION OF THIS ROOM IS EITHER NATURAL CROSS DRAFT OR CONTINUOUS FORCED VENTILATION EQUIPMENT IS USED, IT SHALL RUN CONTINUOUS AND NOT BE CONNECTED TO THE CHEMICAL ROOM LIGHT SWITCH.

BATH HOUSE DATA

TOTAL BATHER LOAD = 198 (50%-50% SPLIT) - OUTDOOR POOL = 2088 / 10 = 198
 BATHHOUSE REQUIREMENTS:
 99 MEN, MIN FIXTURES REQUIRED ARE:
 -ONE URINAL
 -ONE WATER CLOSET
 99 WOMEN, MIN FIXTURES ARE:
 -TWO LAVATORIES
 -TWO WATER CLOSETS.
 2 SHOWERS ARE REQUIRED.

MAIN POOL DATA

POOL DIMENSIONS:	31'-2"x75'-1" w/ 20' RADIUS SEMI-CIRCLE
POOL DEPTHS:	9'-5"-0"
POOL VOLUME:	73,261 GALLONS
SURFACE AREA:	2,968 SF
PERIMETER:	235 LF
COPING:	CAST-IN-PLACE W/ BULLNOSE
MIN. FLOW RATE:	204 GPM
DESIGN FLOW RATE:	220 GPM
CONSTRUCTION:	GUNITE
FINISH:	NON-SLIP PLASTER
BATHER LOAD:	198 BATHERS
MAIN DRAINS:	(2), 4" MAIN DRAIN LINE
INLETS:	11 REQ'D 4" MAIN RETURN LINE
SKIMMERS:	8, 4" MAIN SKIMMER LINE
FILTER, TYPE:	HIGH RATE SAND
FILTER SIZE, PROV:	(3) @4.91 SF, 14.73 SF TOTAL
FILTER SIZE, REQ'D:	13.57 SF TOTAL
MEDIA CIRC. RATE:	15 GPM/SF
BACKWASH RATE:	15 GPM/SF
TURNOVER RATE:	6 HOURS.
BACKWASH TO:	SANITARY SEWER
FRESHWATER SOURCE:	IN-LINE, MANUAL FILL

PROVIDE SIGN STATING "WARNING NO LIFEGUARD ON DUTY" SEE POOL SIGN REQ'TS, SIGN "A"

PROVIDE SIGN STATING THAT NO DIVING IS ALLOWED IN POOL AREA. SEE POOL SIGN REQ'TS, SIGN "B"

PROVIDE SIGN FOR SHOWERING REQ'TS. SEE POOL SIGN REQ'TS, SIGN "C"

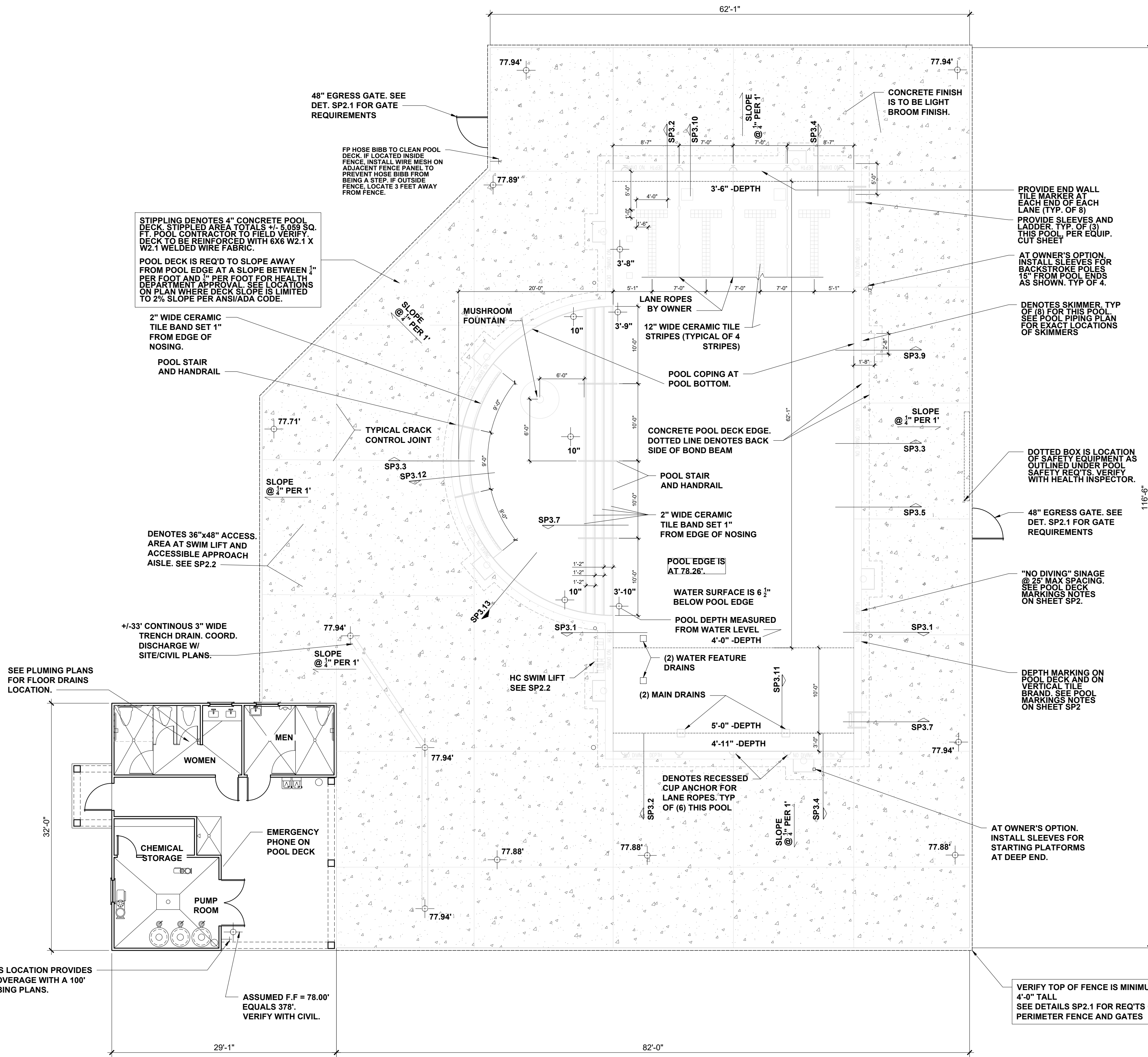
CONCRETE DECK NOTES

POOL DECK AREA IS 3,036 SF AND INCLUDES ONLY THE STIPPLED AREA ON THE PLAN.
 DECK ELEVATIONS ARE RELATIVE TO THE TOP OF DECK AT THE POOL EDGE. COORDINATION WITH THE SITE/CIVIL DRAWING MAY REQUIRE ADJUSTMENT OF THE ELEVATIONS.
 CONCRETE DECK TO HAVE LIGHT BROOM FINISH.
 KEEP CONCRETE SLABS DAMP FOR SEVEN (7) DAYS AFTER PLACEMENT.
 CONTROL JOINTS TO BE LET INTO CONCRETE AT A DEPTH OF 1/3 THE THICKNESS OF THE CONCRETE SLAB.

MAIN POOL EQUIPMENT SCHEDULE

ITEM	DESCRIPTION	PRODUCT
M1	5 HP, SELF-PRIMING PUMP W/ MATCHING STRAINER, 220 GPM @ 65F. OF HEAD - PROVIDE A SPARE BASKET FOR STRAINER.	PENTAIR - WQ500
M2	30" DIA., HIGH RATE SAND FILTER WITH 4.91 S.F. MEDIA	PENTAIR - TRITON II TR100
M3	FLOW RATE INDICATOR	BLUE-WHITE F/D/U-300
M4	EROSION CHLORINATOR	PENTAIR HC 3315
M5	MAIN DRAIN - 14"x14" SUMP AND COVER/GRATE AND 1 1/2" HYDROSTATIC RELIEF VALVE.	AQUASTAR 914xxx [SUMP P/N 9-4 SB]
M6	IN-GROUND SKIMMER	PENTAIR U3
M7	IN-WALL INLET W/ DIRECTIONAL FITTINGS	PENTAIR-542002
M8	MULTIPOINT VALVE	PENTAIR 261055
M9	IN-WALL VACUUM FITTING, W/ PLUG	HAYWARD W400AWHP
M10	5' MUSHROOM FOUNTAIN	NATURAL STRUCTURES 1800-18
M11	POOL HANDRAIL, 4' LONG	SRSMITH DMS101-MG
M12	POOL LADDER, 3 RUNG	SRSMITH-LF24-3B-MG
M13	500 WATT WHITE LIGHT WITH NICHE	PENTAIR-78456300
M14	IN-WALL CUP ANCHOR	PENTAIR-542044
M15	FLOOR DRAIN, CAST BODY, PVC COVER BY OTHERS - MAX. 50 GPM FLOW	SELECTED BY OWNER
M16	BACKSTROKE FLAG ANCHOR	SR SMITH MULTI-LIFT
M17	HANDICAPPED LIFT	SR SMITH MULTI-LIFT
M18	3HP FOUNTAIN PUMP w/ MATCHING STRAINER, 130 GPM @ 65 F. OF HEAD - PROVIDE A SPARE BASKET FOR STRAINER	PENTAIR-WFE-12
M19	12"x12" FOUNTAIN SUMP AND COVER	ASA FPK 50-812-4 AQUASTAR WAVE12
M20	POOL FLOOR INLET	PENTAIR 08417
M21	POOL HANDRAIL, 4' LONG, TWO BEND	SRSMITH 2HR-4-MG
M22	AUTOMATIC WATER LEVEL CONTROLLER	PENTAIR T40-FW
M23	POOL CONTROL PANEL	PENTAIR EASYTOUCH8

POOL CONTRACTOR SHALL VERIFY THAT POOL EQUIPMENT SCHEDULE AND CUT SHEETS MATCH BEFORE ORDERING ANY ITEMS OR EQUIPMENT



SP1.1 SWIMMING POOL LAYOUT
 SCALE: 1/4" = 1'-0"

JDS Consulting
 ENGINEERING • DESIGN • ENERGY
 196 PROVIDENCE CREEK DRIVE, SUITE 100, FAYETTEVILLE, NC 28404
 PHONE: 704.336.1111 | FAX: 704.336.1112
 WWW.JDSCONSULTING.NET

MATTAMY HOMES
 PROJECT: **PROVINCE CREEK AMENITY CENTER & POOL**
 LOCATION: **196 PROVIDENCE CREEK DRIVE, FUQUAY-VARINA, NC 27526**

PROJECT NO.: **23900139**
 DATE: **05/02/2023** DRAWN BY: **FAB**
POOL LAYOUT
SP1.1



JDS Consulting
 ENGINEERING • DESIGN • ENERGY

JDS Consulting PLLC, 3600 P. JERSEY CT., RALEIGH, NC 27617 919.480.1075
 INFO@JDSCONSULTING.NET WWW.JDSCONSULTING.NET

JDS Consulting PLLC IS NOT LIABLE FOR CHANGES MADE TO PLANS DUE TO CONSTRUCTION METHODS OR ANY CHANGES TO PLANS MADE IN THE FIELD. THE LOT NUMBER, PROPERTY, OR AS A MASTER PLAN AS SPECIFIED ON TITLE SHEET. DIMENSIONS SHALL GOVERN OVER SCALE, AND CODE SHALL GOVERN OVER DIMENSIONS ON DRAWINGS.

POOL DECK MARKINGS

DEPTH MARKINGS: IN LOCATIONS AS SHOWN ON THE DRAWINGS AND ADHERING TO THE FOLLOWING:

- LOCATED ON TOP OF POOL DECK AND AT OR ABOVE THE WATER SURFACE ON THE VERTICAL WALL.
- SHALL BE IN ARABIC NUMERALS AT LEAST 4" HIGH LETTER COLOR TO CONTRAST WITH BACKGROUND.
- MARKINGS IN POOL DECK SHALL PROVIDE A SLIP RESISTANT WALKING SURFACE.
- NOT TO EXCEED 25'-0" IN SPACING ALONG THE PERIMETER OF THE POOL.

"NO DIVING" MARKINGS: IN LOCATIONS AS SHOWN ON THE DRAWINGS AND ADHERING TO THE FOLLOWING:

- NOT TO EXCEED 25'-0" IN SPACING.
- DENOTED IN ONE OF THE FOLLOWING MANNERS:
 - CONSISTING OF THE WORDS "NO DIVING" IN LETTERS AT LEAST 4" HIGH AND OF A COLOR CONTRASTING WITH THE BACKGROUND.
 - AT LEAST A 5"x6" IN SIZE INTERNATIONAL SYMBOL FOR NO DIVING IN RED AND BLACK ON A WHITE BACKGROUND.
- MARKINGS IN POOL DECK SHALL PROVIDE A SLIP RESISTANT WALKING SURFACE.

POOL SIGNAGE REQUIREMENTS

POOL SIGNAGE:
 SIGN "A" - 4" TALL LETTERS
 WARNING - NO LIFEGUARD ON DUTY

THIS SIGN IS TO BE POSTED IN THE MAIN POOL AREA. A MIN. OF (1) THIS PROJECT

SIGN "B" - 1" TALL LETTERS

POOL SAFETY RULES

- CHILDREN SHOULD NOT USE THE SWIMMING POOL WITHOUT ADULT SUPERVISION.
- ADULTS SHOULD NOT SWIM ALONE.
- PETS ARE PROHIBITED IN THE POOL AREA.
- GLASS CONTAINERS ARE PROHIBITED IN THE POOL AREA.
- NO DIVING IS ALLOWED IN POOL AREA.

SIGN "C" - PROVIDE A SIGN VISIBLE UPON ENTERING THE POOL ENCLOSURE DIRECTING POOL USERS TO SHOWER BEFORE ENTERING THE POOL.

SIGN "D" - PROVIDE A SIGN STATING "POOL CLOSED" FOR EVERY POOL ENTRANCE. VERIFY WITH FINAL POOL ENCLOSURE DESIGN FOR FINAL NUMBER OF ENTRANCES.

POOL SAFETY REQUIREMENTS

PROVIDE SAFETY PROVISIONS PER SECTION .2530. THE MINIMUM BEING:

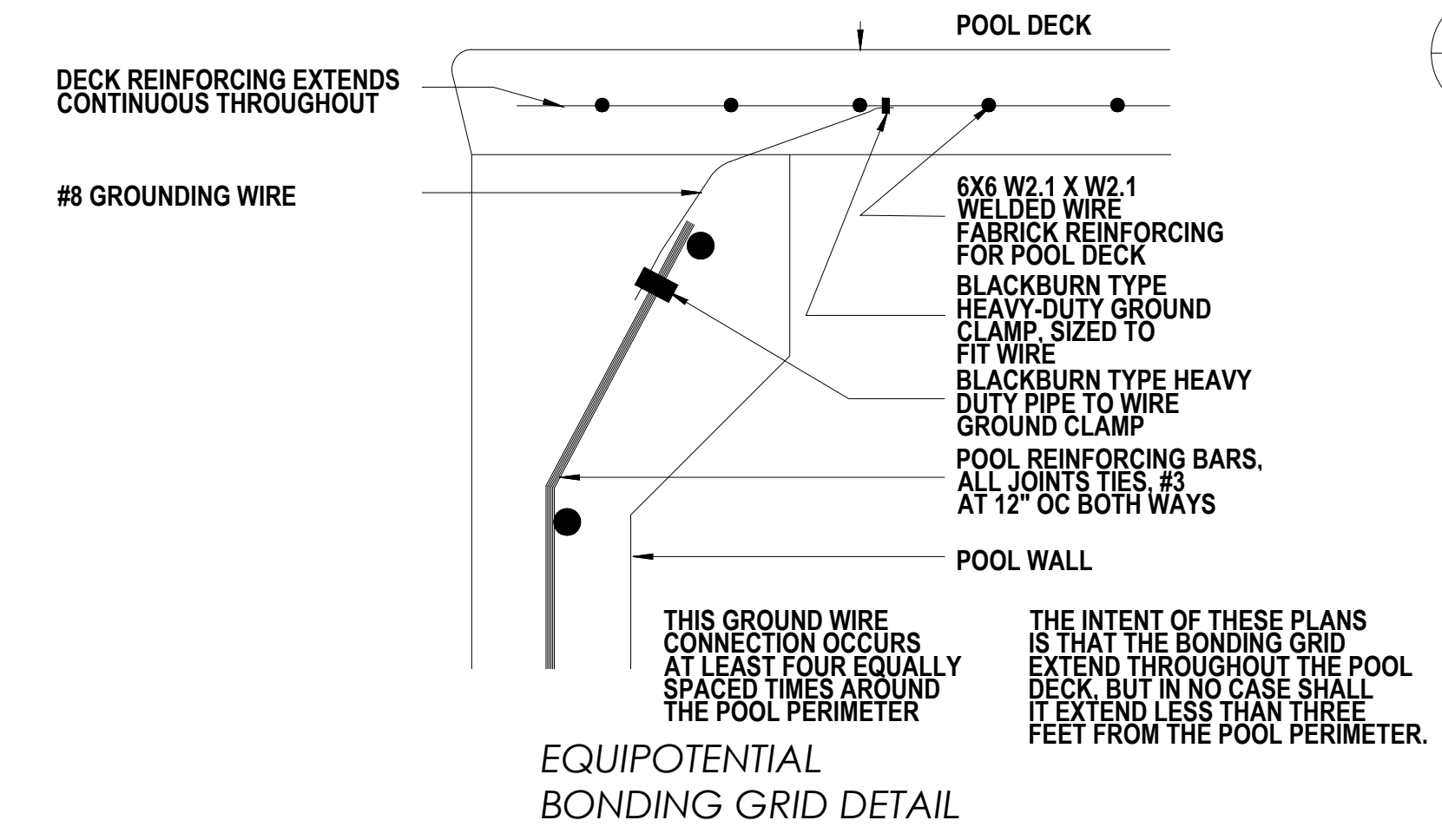
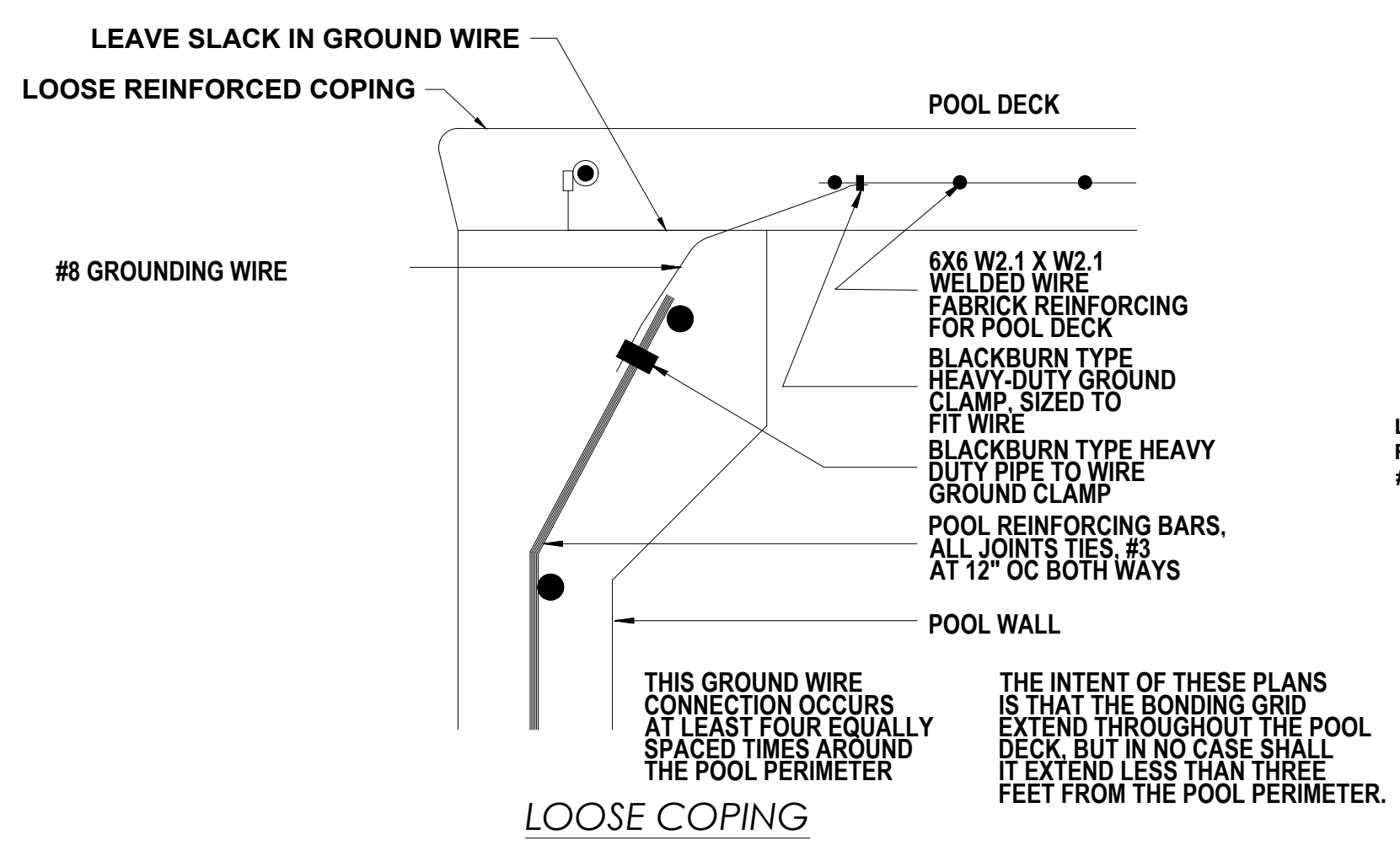
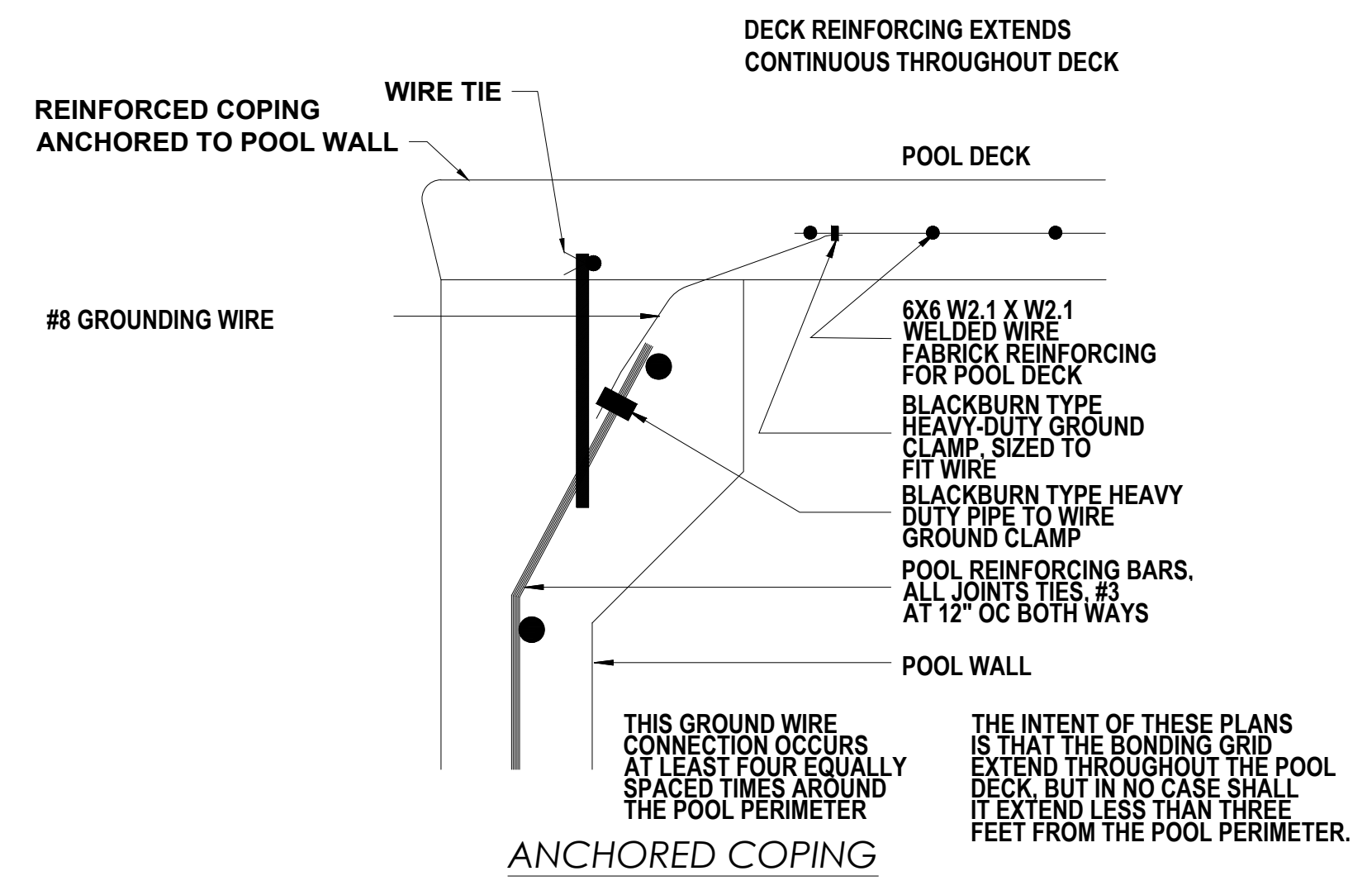
OUTDOOR POOL REQUIREMENTS:

- (2) 12' LONG, MIN., METAL POLE AND BODY HOOK SECURELY ATTACHED. THE POLE SHALL BE NON-TELESCOPING, NON-ADJUSTABLE & NON-COLLAPSIBLE.
- U.S. COAST GUARD APPROVED RING BUOYS WITH 60'-0" OF 1" DIAMETER THROWING ROPE.

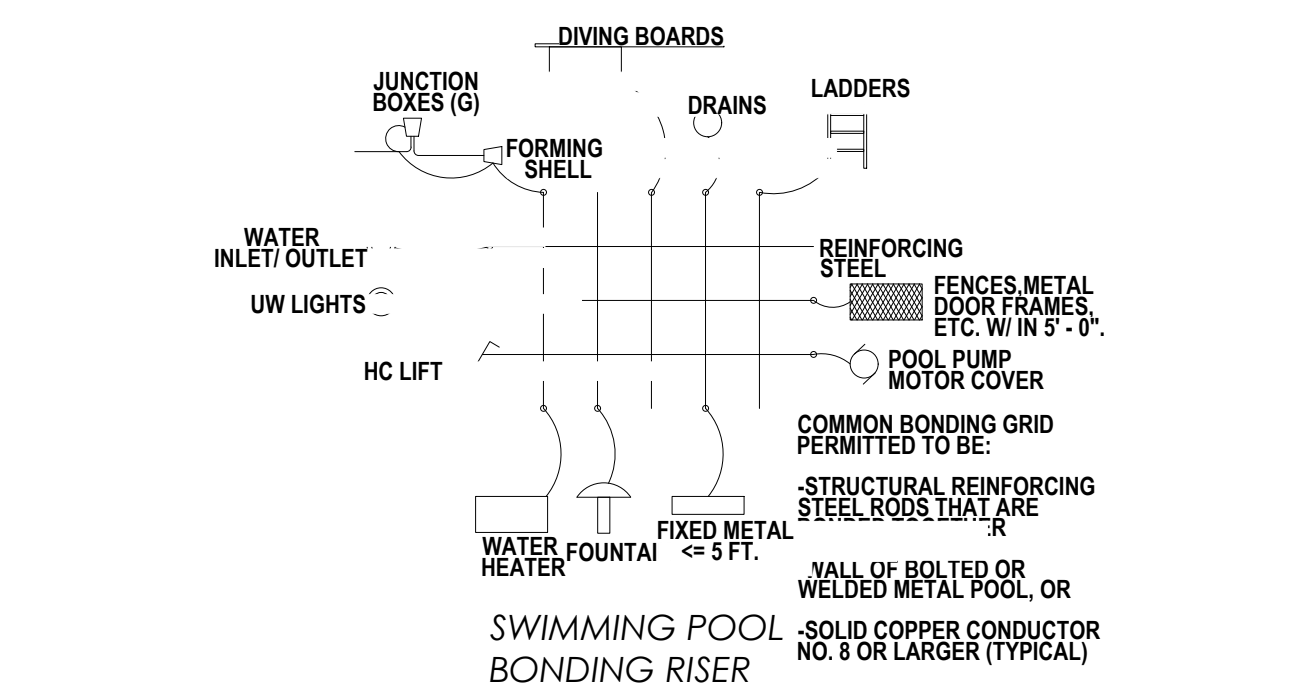
EMERGENCY TELEPHONE SERVICE:

- TELEPHONE CAPABLE OF DIRECTLY DIALING 911 OR OTHER EMERGENCY NOTIFICATION SYSTEM SHALL BE PROVIDED.
- THE TELEPHONE SHALL BE PERMANENTLY AFFIXED TO A LOCATION INSIDE THE POOL ENCLOSURE OR OUTSIDE THE ENCLOSURE WITHIN 75' OF THE BATHER ENTRANCE.
- THE TELEPHONE SHALL BE VISIBLE FROM WITH THE POOL ENCLOSURE OR A VISIBLE SIGN SHALL BE POSTED INDICATING THE LOCATION OF THE EMERGENCY PHONE.
- AT THE TELEPHONE - PROVIDE A SIGN WITH LEGIBLE LETTERS PROVIDING THE FOLLOWING INFORMATION:
 - DIALING INSTRUCTIONS
 - ADDRESS OF THE POOL LOCATION
 - TELEPHONE NUMBER OF THE POOL LOCATION

SEE POOL HOUSE PLANS BY OTHERS FOR EXACT LOCATION OF THE TELEPHONE SERVICE.



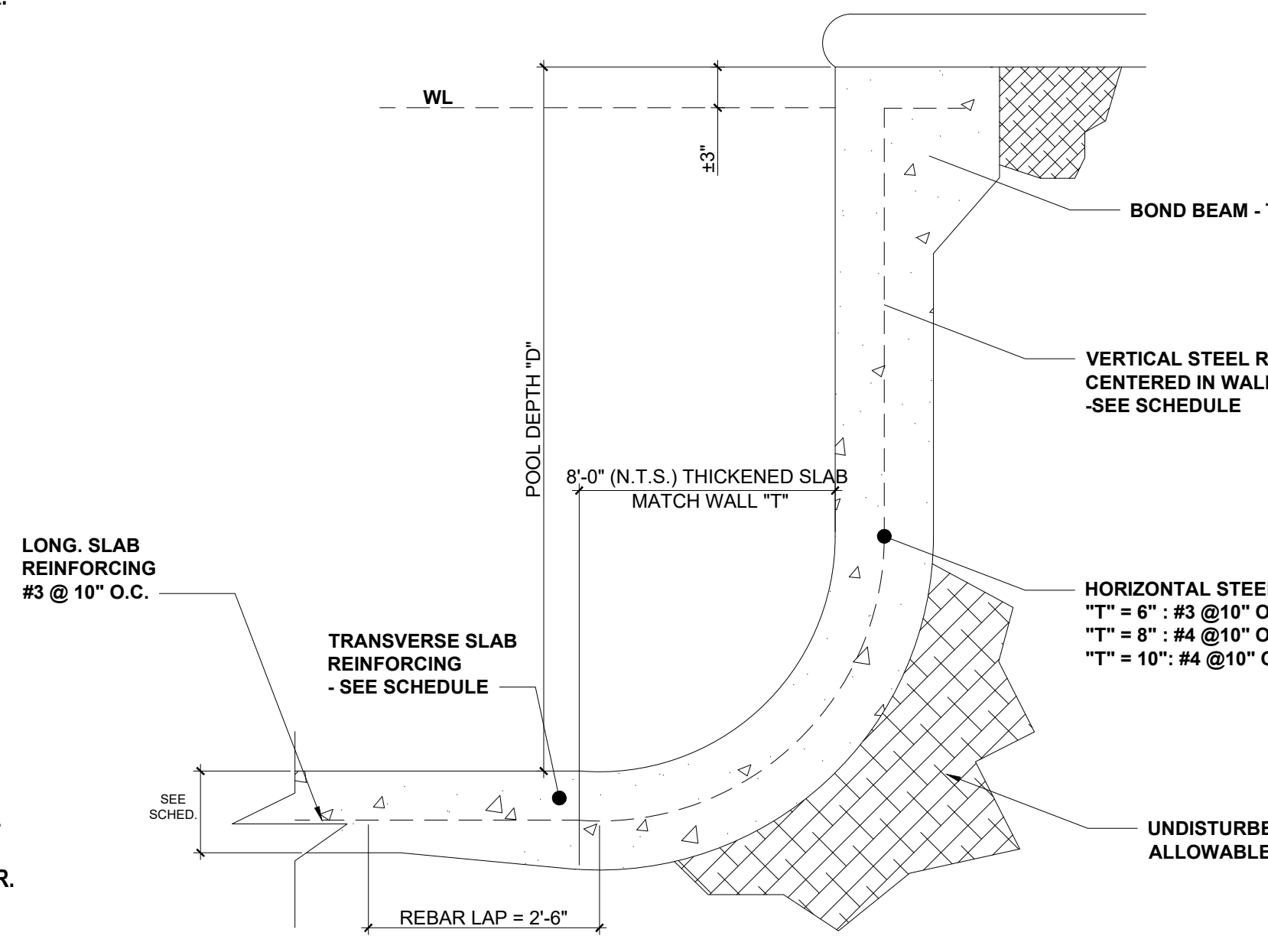
SP2.6 EQUIPOTENTIAL BONDING GRID DETAIL NOT TO SCALE



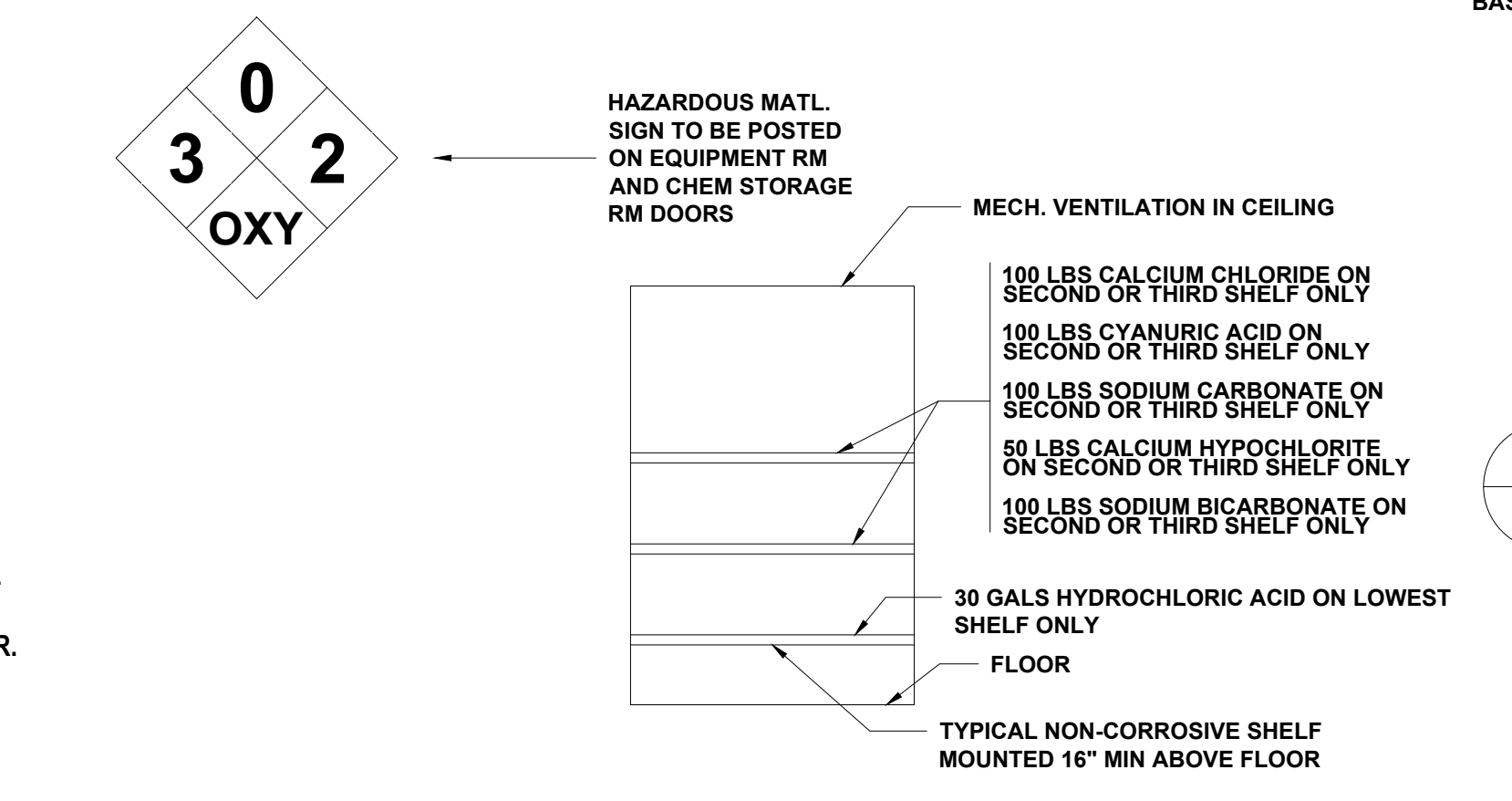
SP2.5 SWIMMING POOL BONDING RISER NOT TO SCALE

POOL REINFORCING SCHEDULE

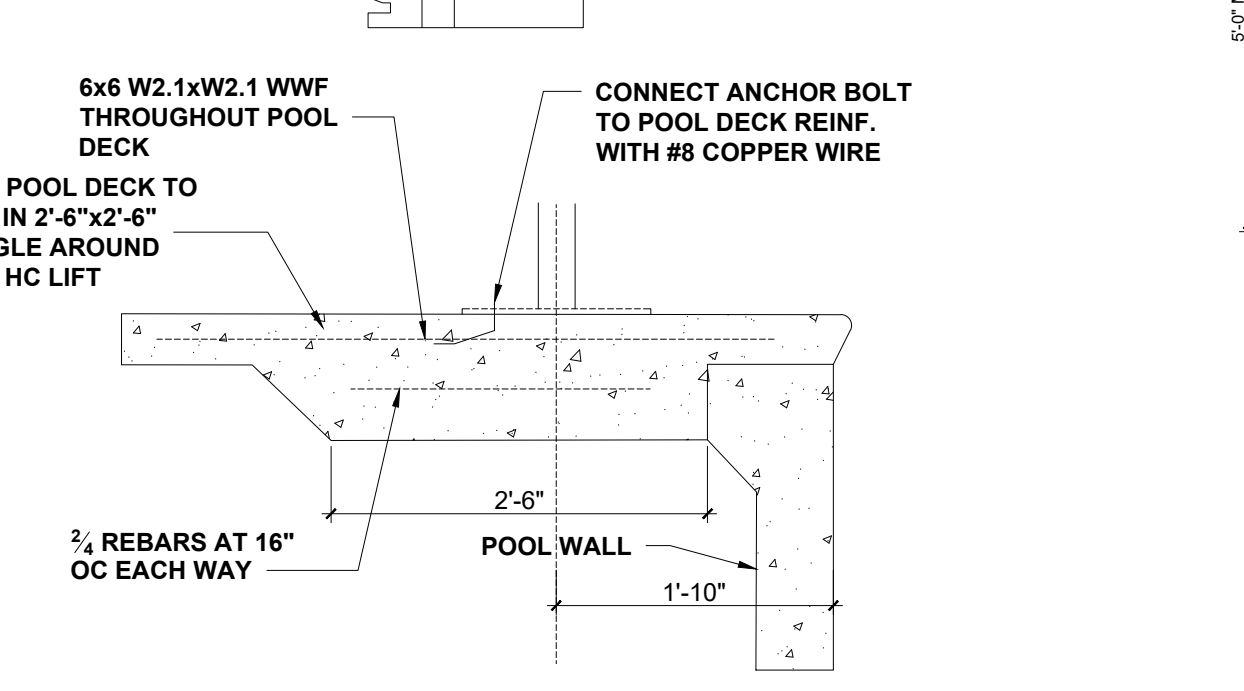
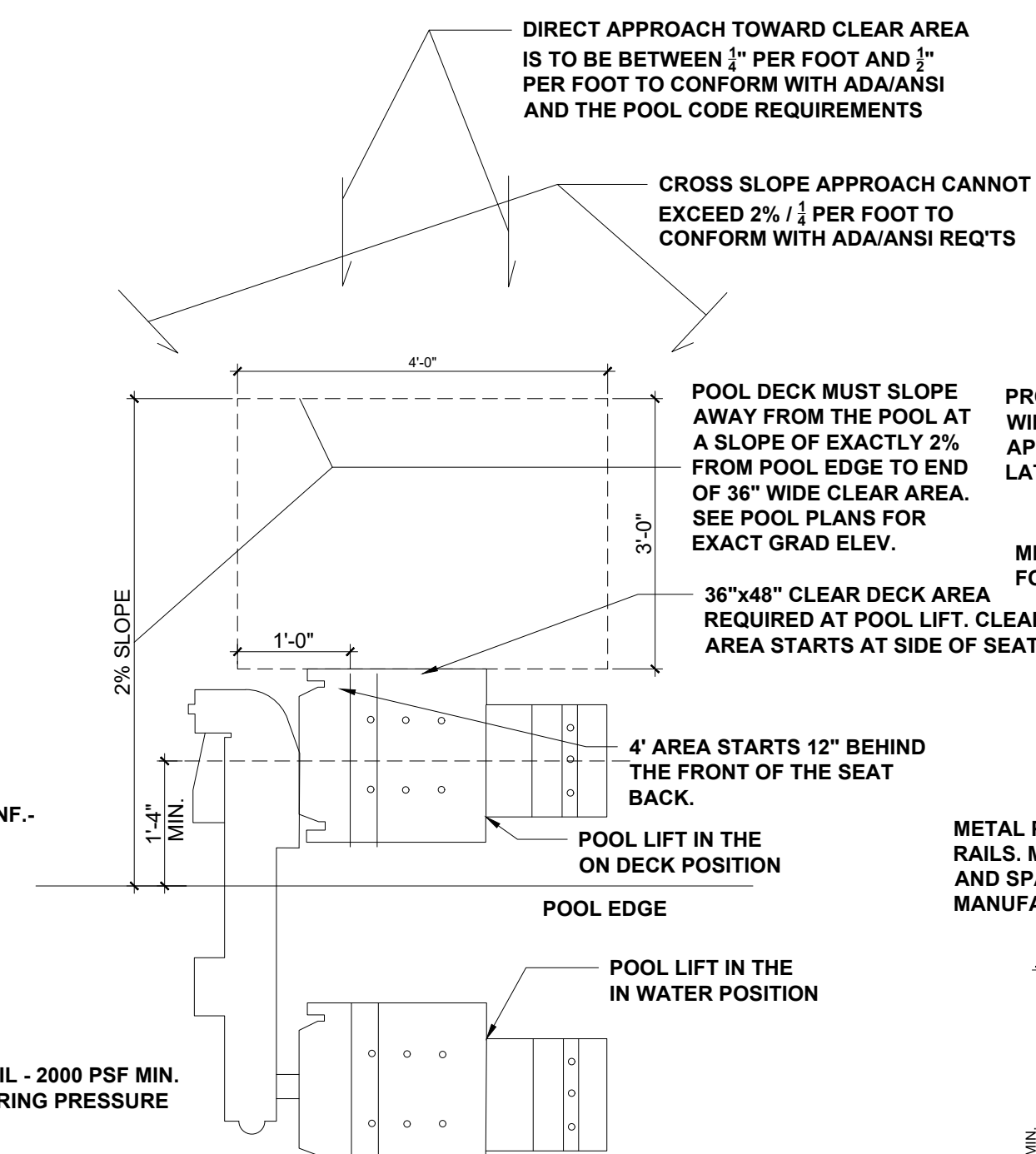
DEPTH "D"	≤ 4'-0"	≤ 6'-0"	≤ 7'-6"	≤ 9'-0"	≤ 10'-0"
THICKNESS "T"	6"	8"	10"	10"	10"
VERTICAL STEEL	#3 @ 10" O.C.	#4 @ 10" O.C.	#5 @ 10" O.C.	#6 @ 10" O.C.	#7 @ 10" O.C.
SLAB	#3 @ 10" O.C.	#3 @ 10" O.C.	#4 @ 10" O.C.	#4 @ 10" O.C.	#4 @ 10" O.C.



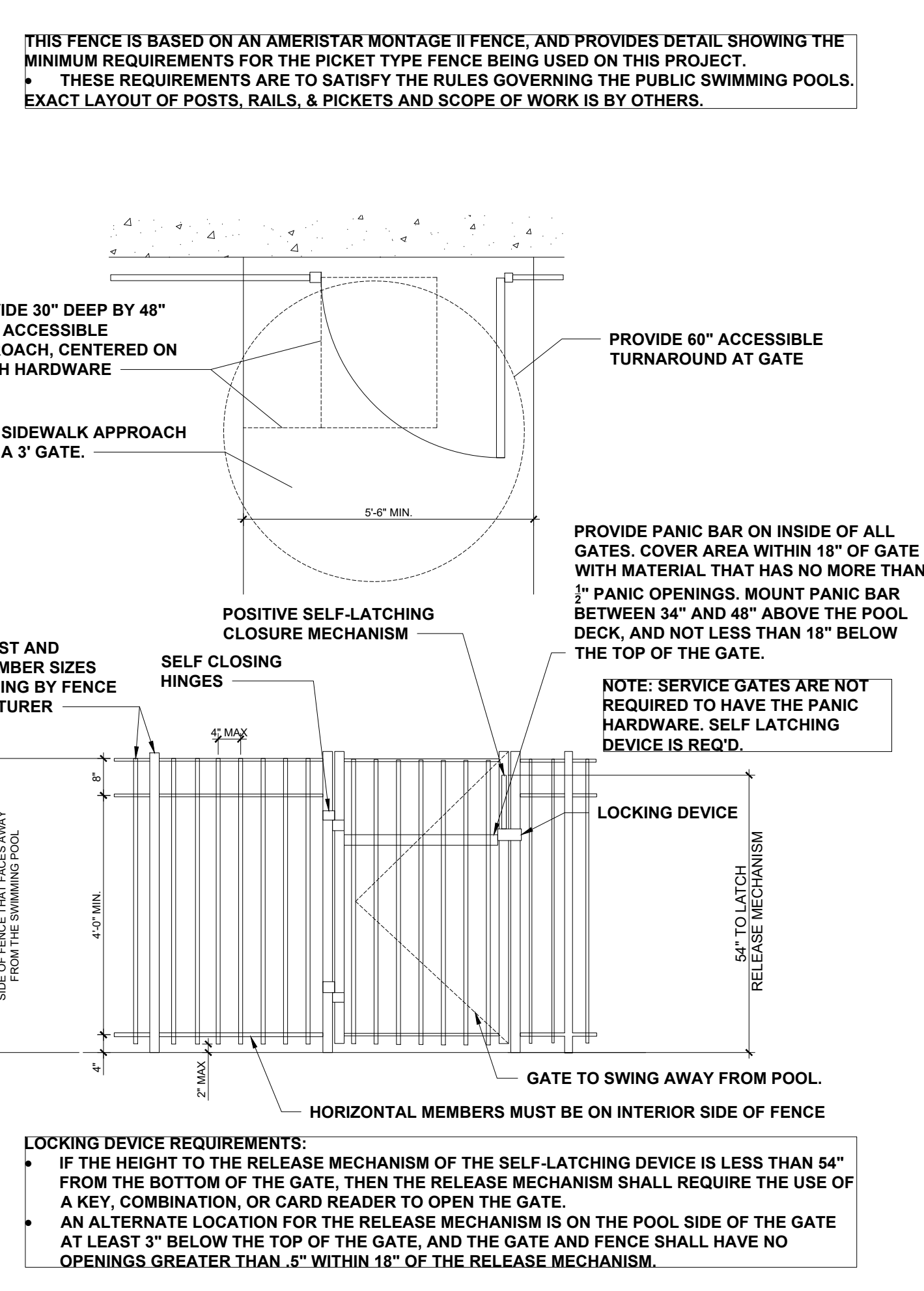
SP2.4 STRUCTURAL POOL SECTION NOT TO SCALE



SP2.3 CHEMICAL STORAGE ROOM ELEVATION SCALE: NTS



SP2.2 SWIM LIFT INST. DETAIL SCALE: NTS



SP2.1 GATE AND FENCE DETAIL SCALE: NTS

CLIENT: **MATTAMY HOMES**

PROJECT: **PROVIDENCE CREEK AMENITY CENTER & POOL**

LOCATION: **196 PROVIDENCE CREEK DRIVE, FUQUAY-VARINA, NC 27526**

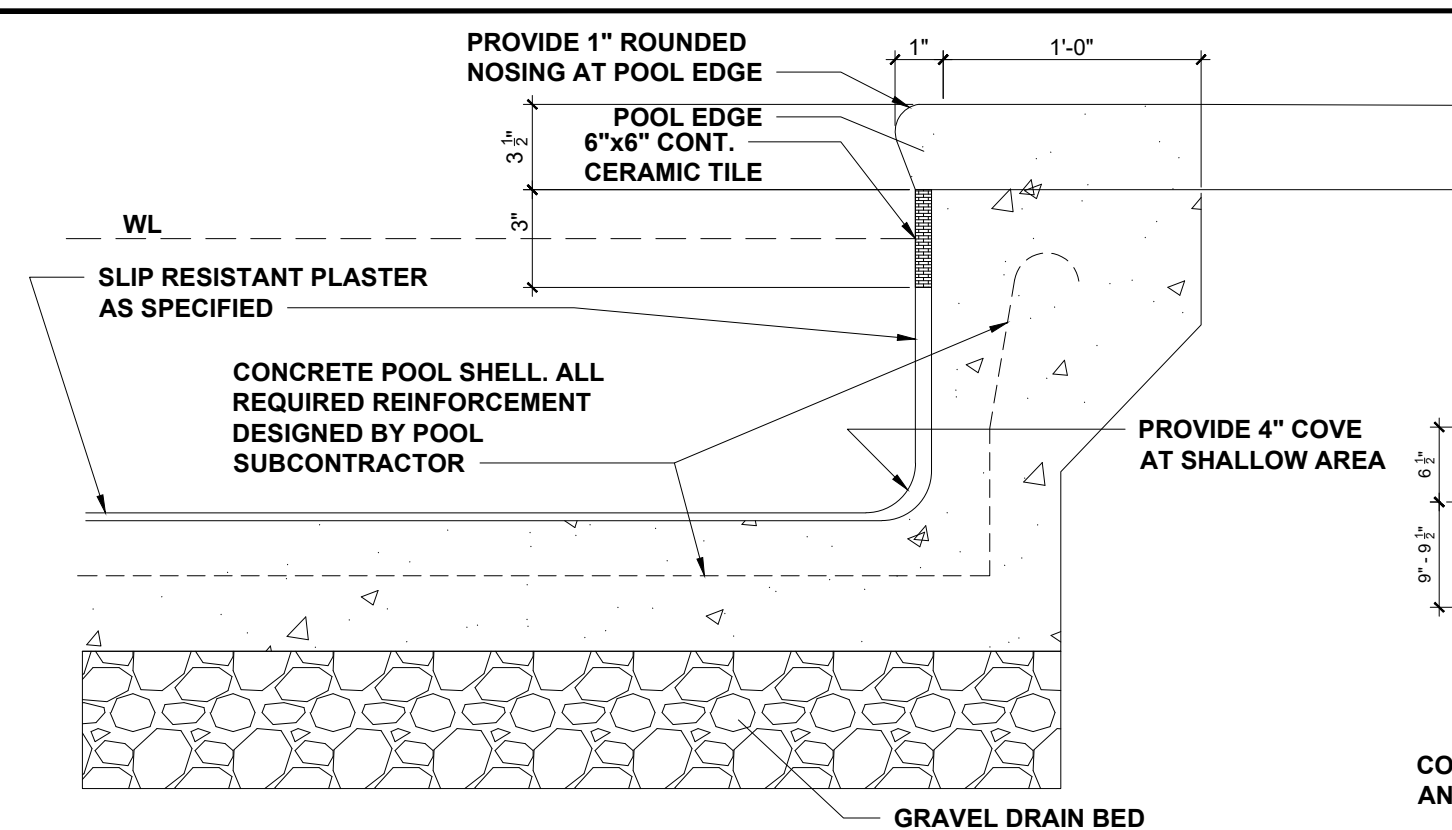
SCALE: 1/4" = 1'-0" FOR 24x36 PAPER, NOT TO SCALE FOR 11x17 PAPER, OR AS NOTED

PROJECT NO.: **23900139**

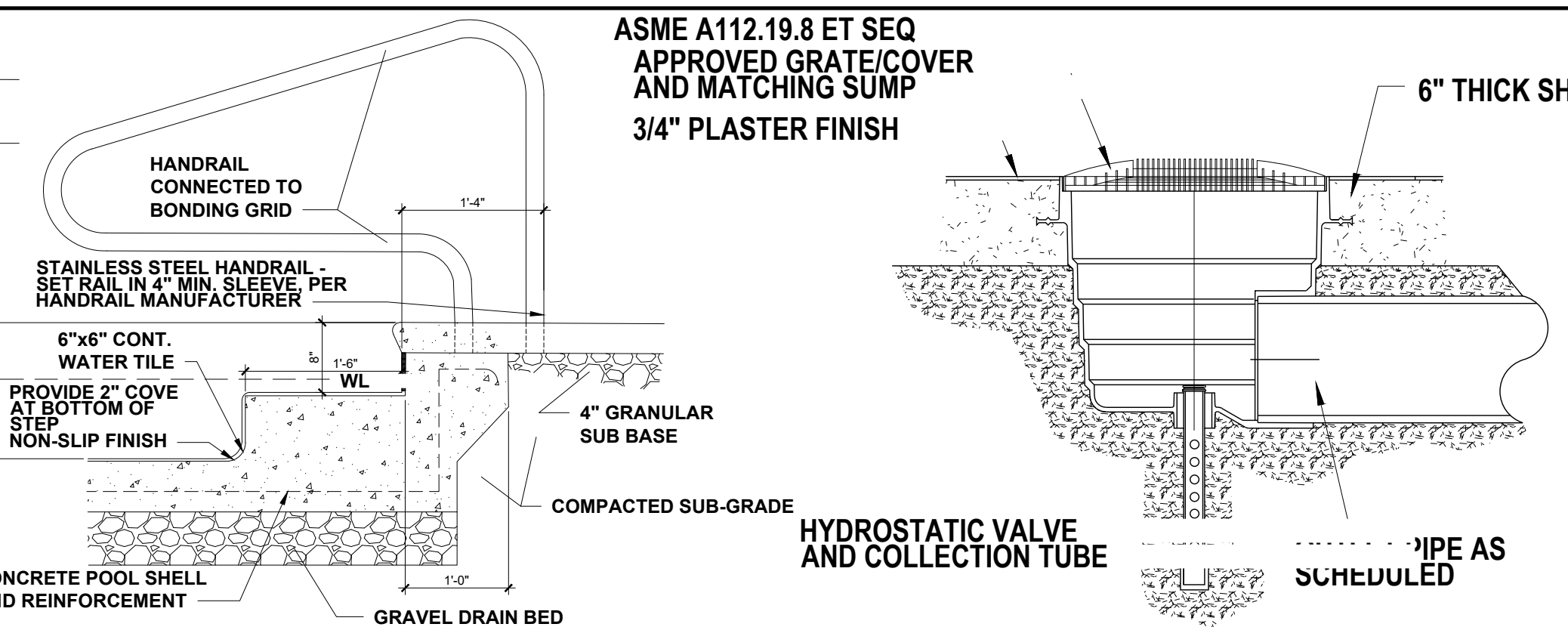
DATE: **05/02/2023** DRAWN BY: **FAB**

SECTIONS & DETAILS

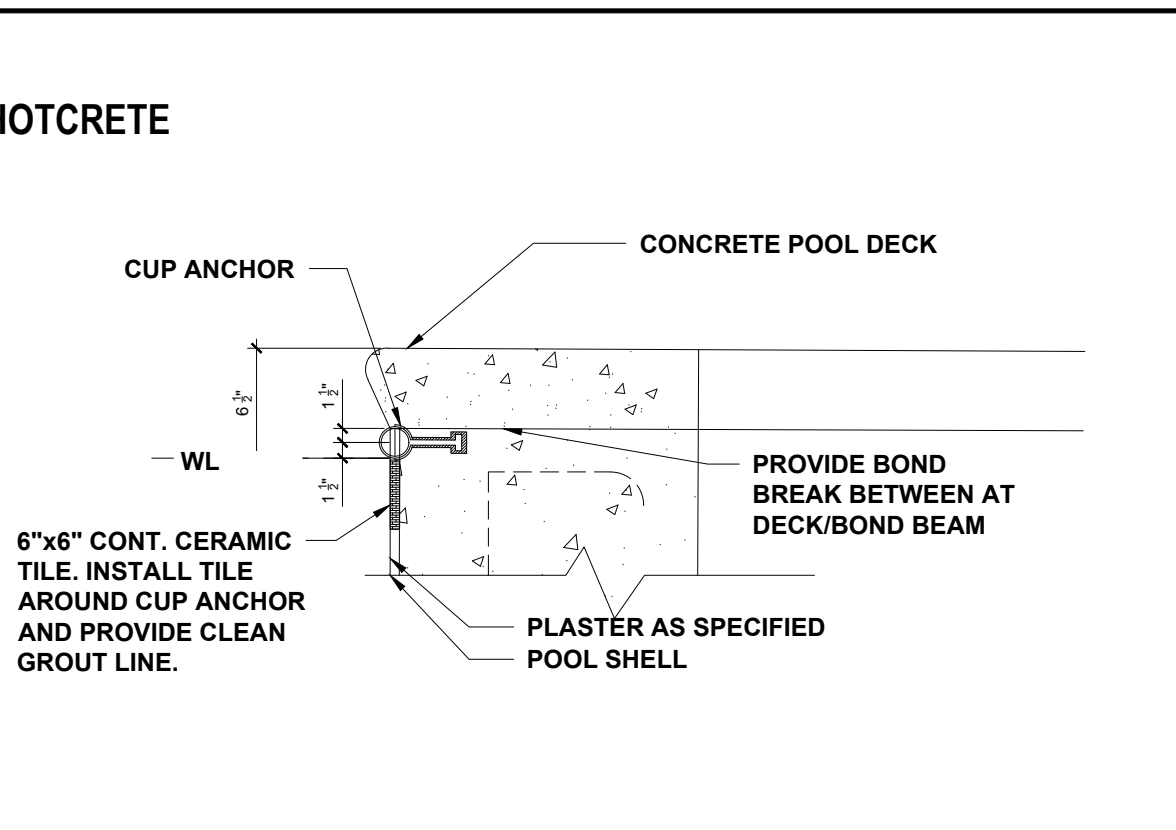
SP.2



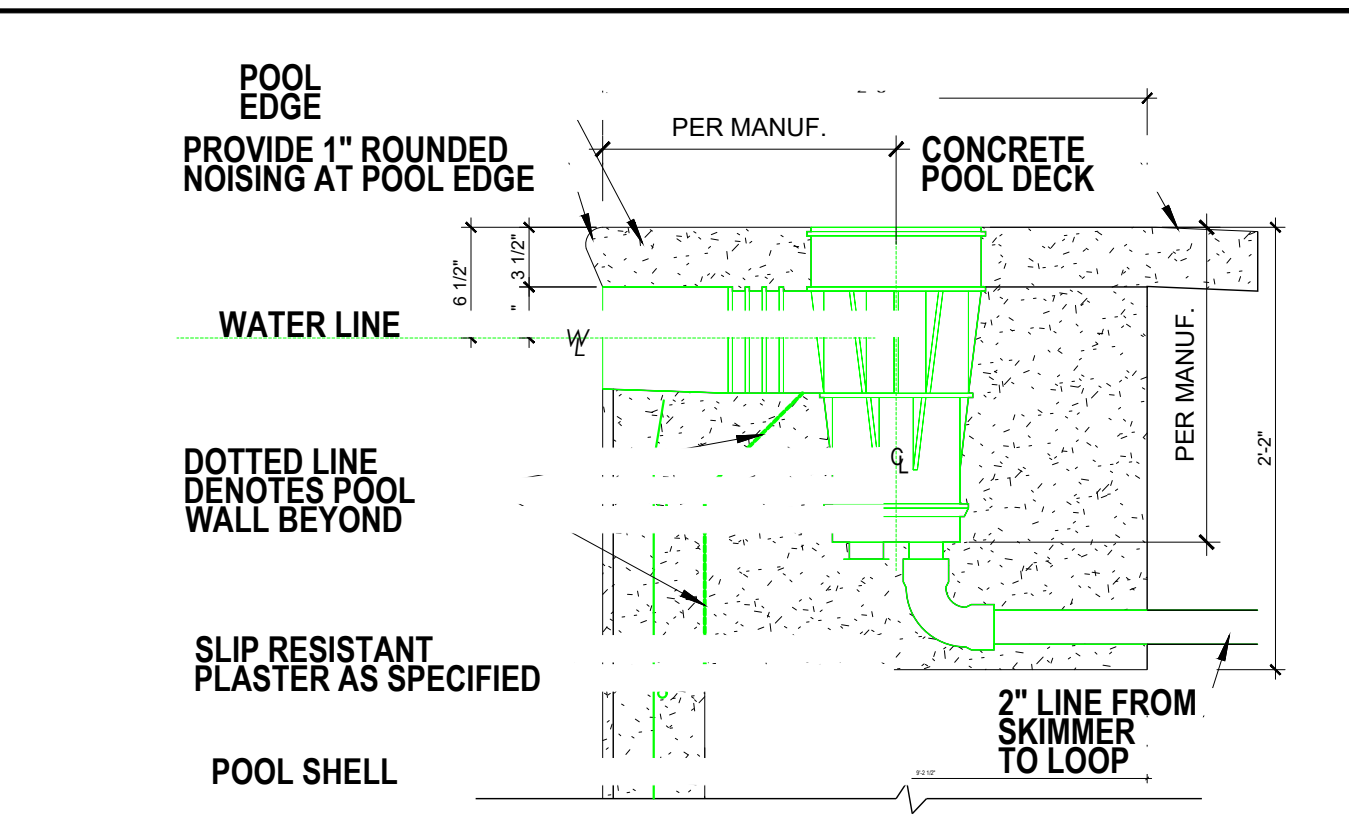
SP3 WALL SECTION
.13 SHALLOW WATER SCALE: NTS



SP3 SHALLOW POOL WALL SECTION
.12 SCALE: NTS



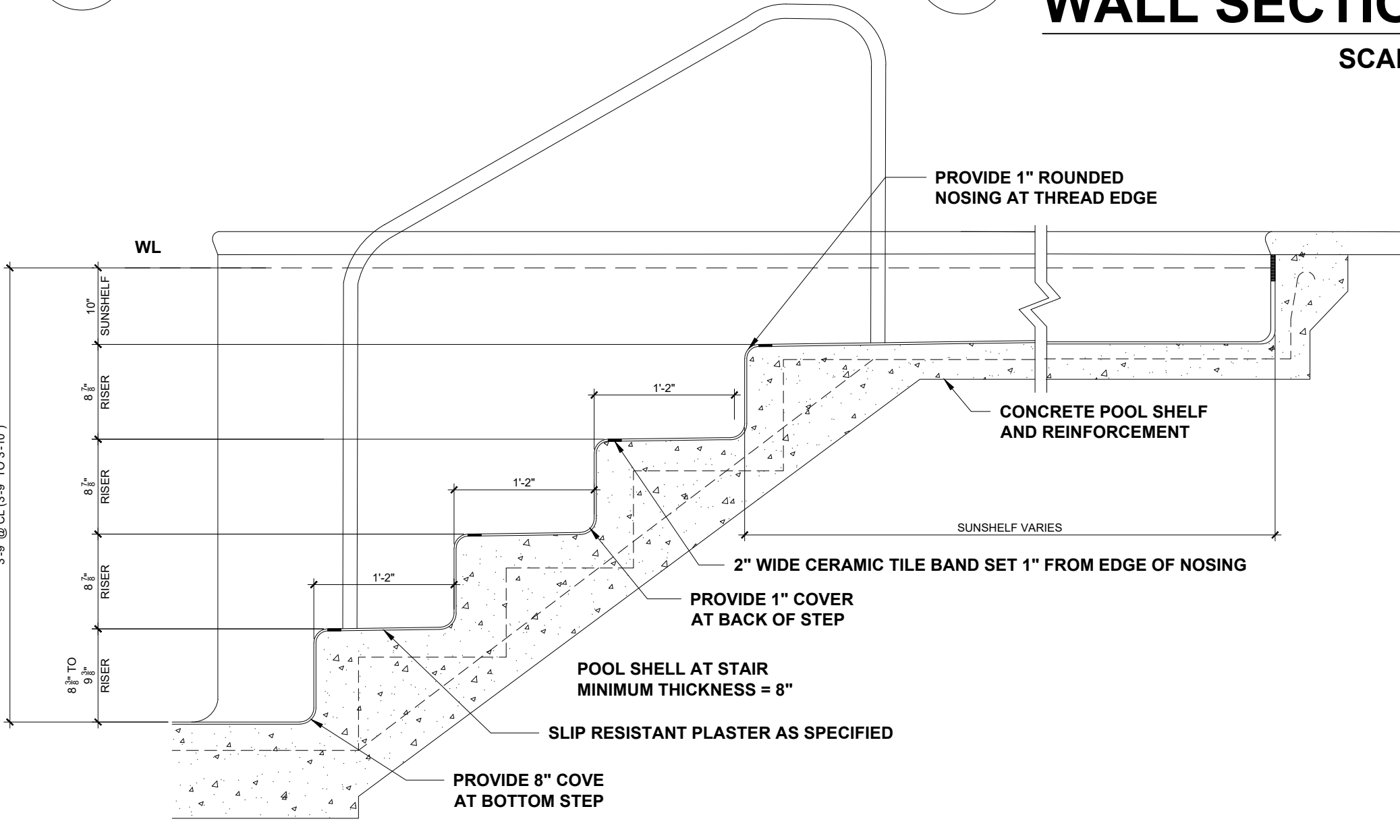
SP3 MAIN DRAIN DETAIL
.11 SCALE: NTS CONCRETE POOL DECK



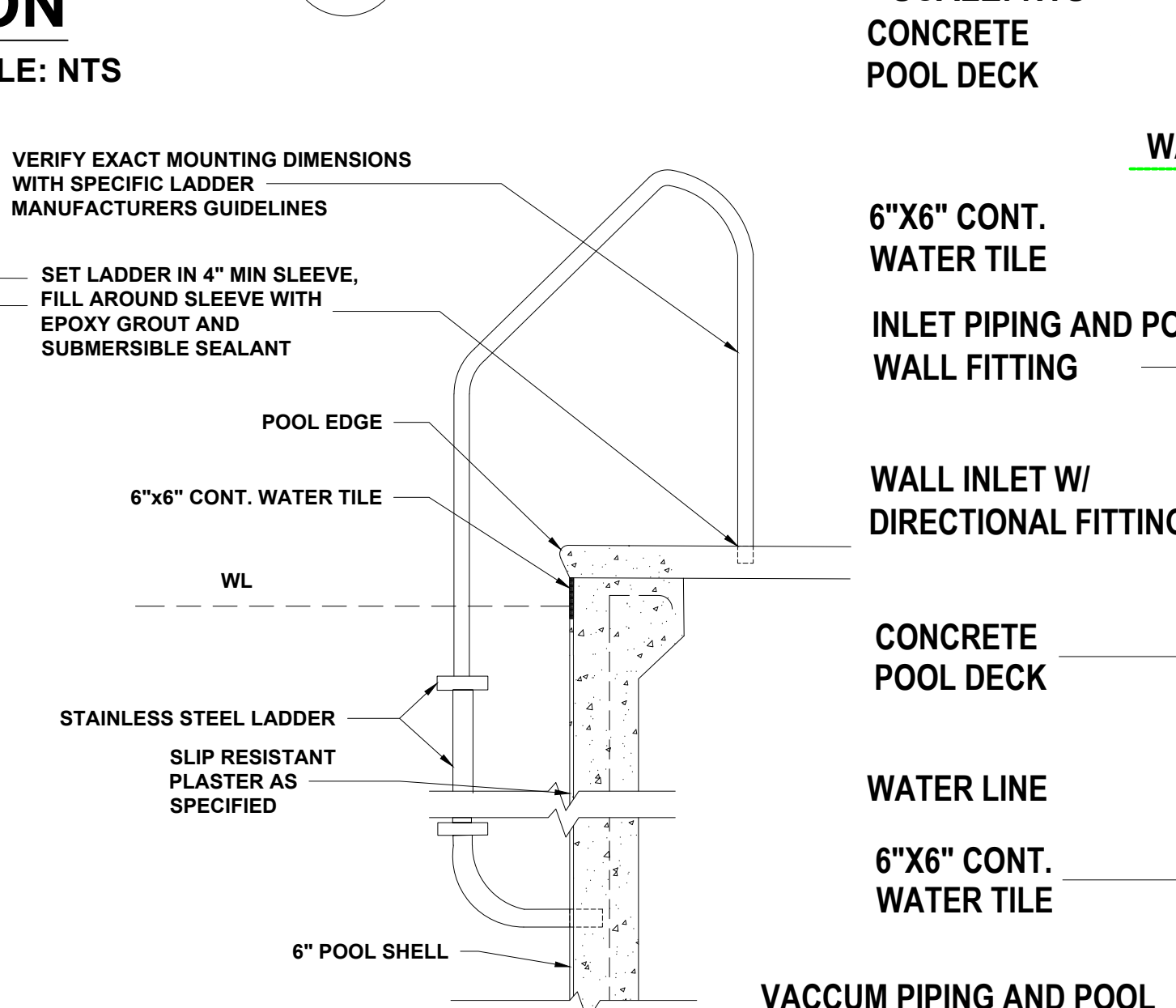
SP3 CUP ANCHOR DETAIL
.10 SCALE: NTS



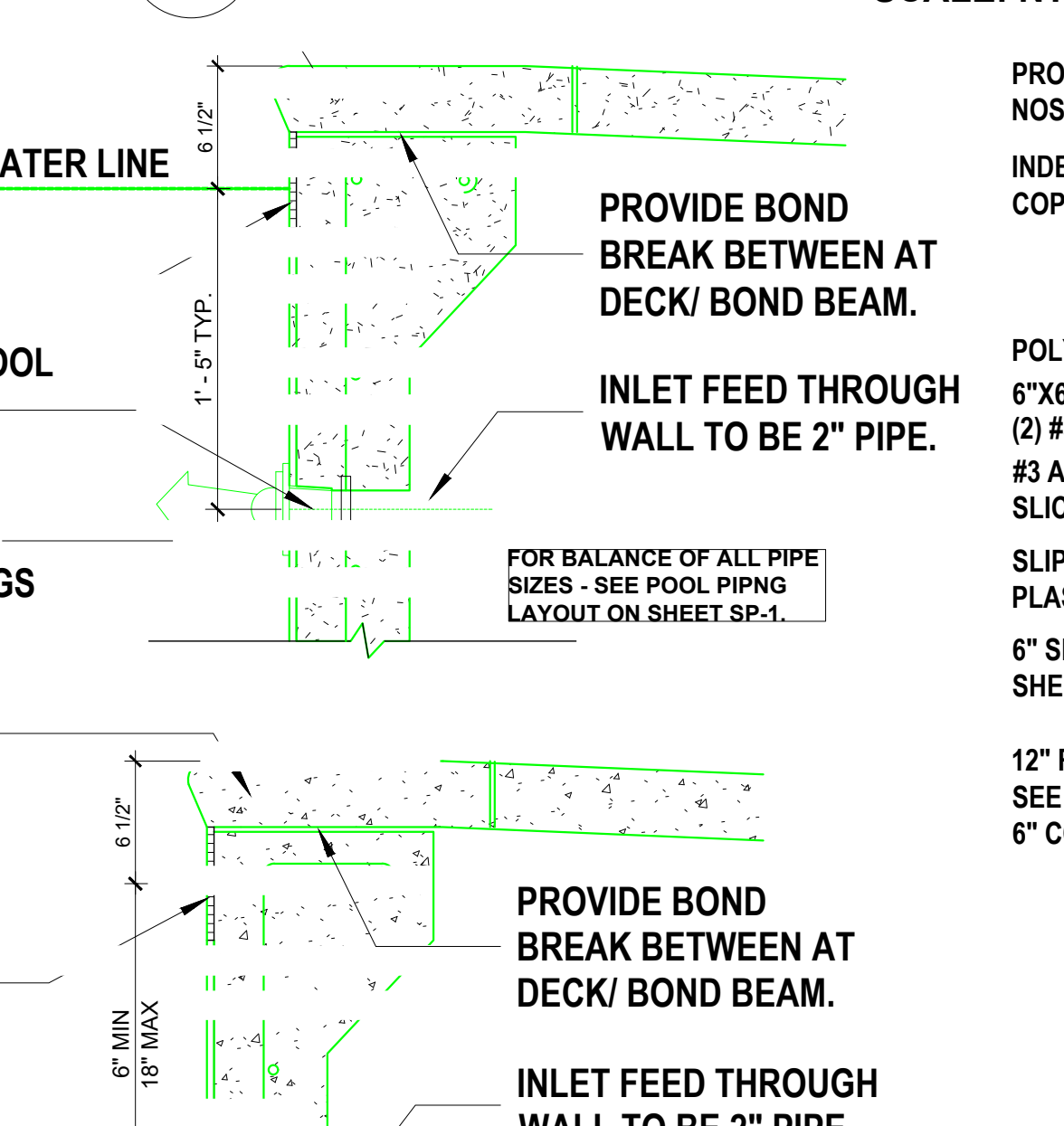
SP3 DETAIL - POOL SKIMMER
.9 SCALE: NTS



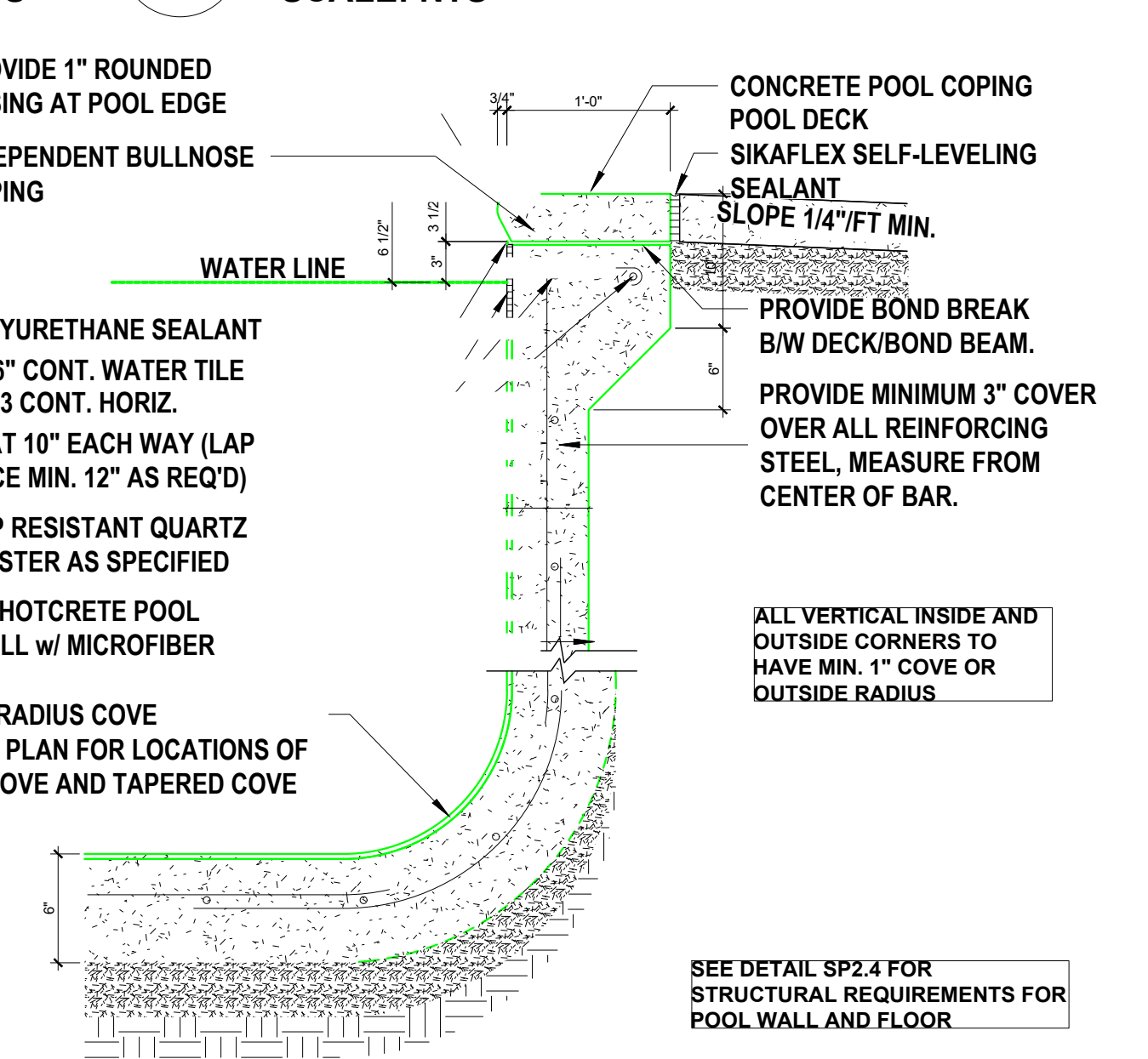
SP3 POOL STAIR DETAIL
.8 SCALE: NTS



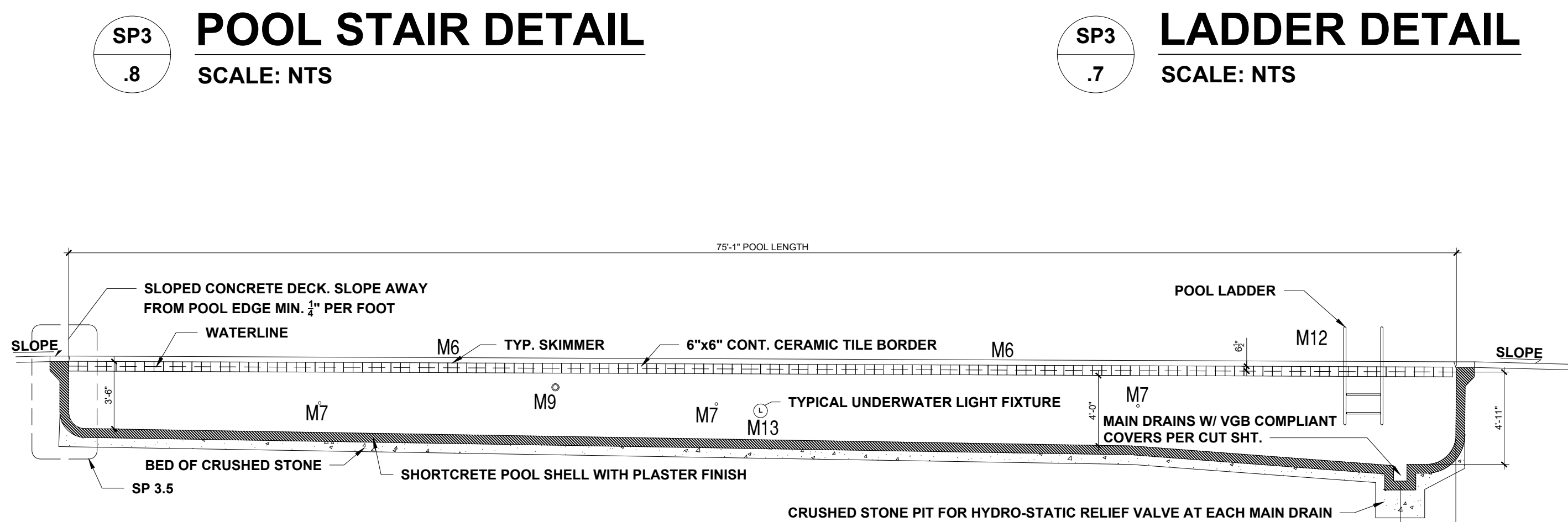
SP3 LADDER DETAIL
.7 SCALE: NTS



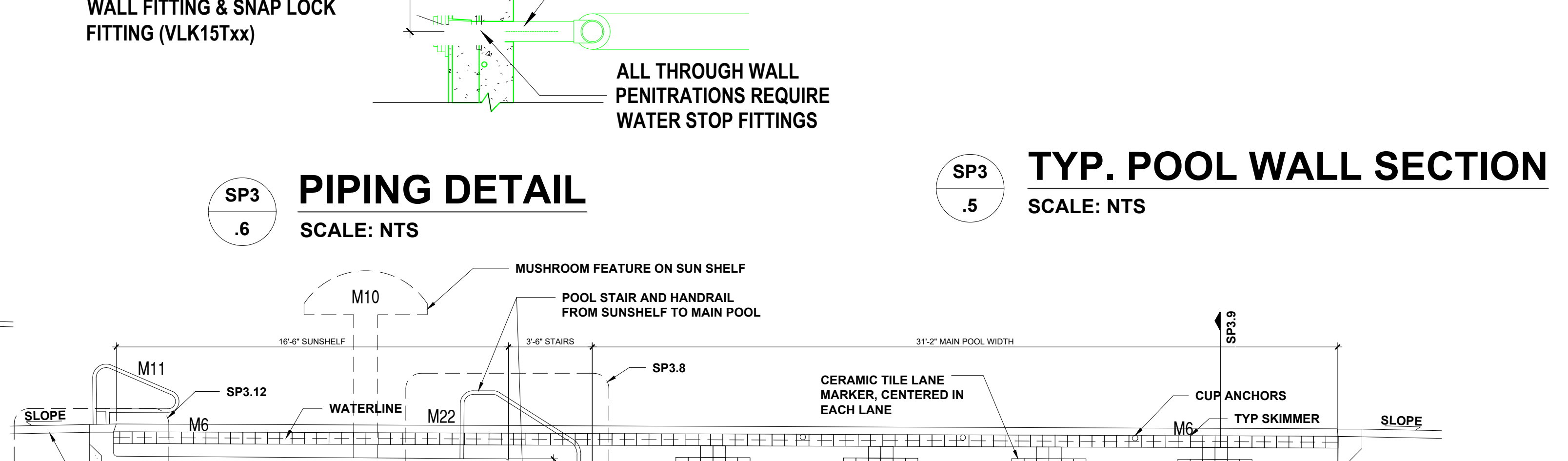
SP3 PIPING DETAIL
.6 SCALE: NTS



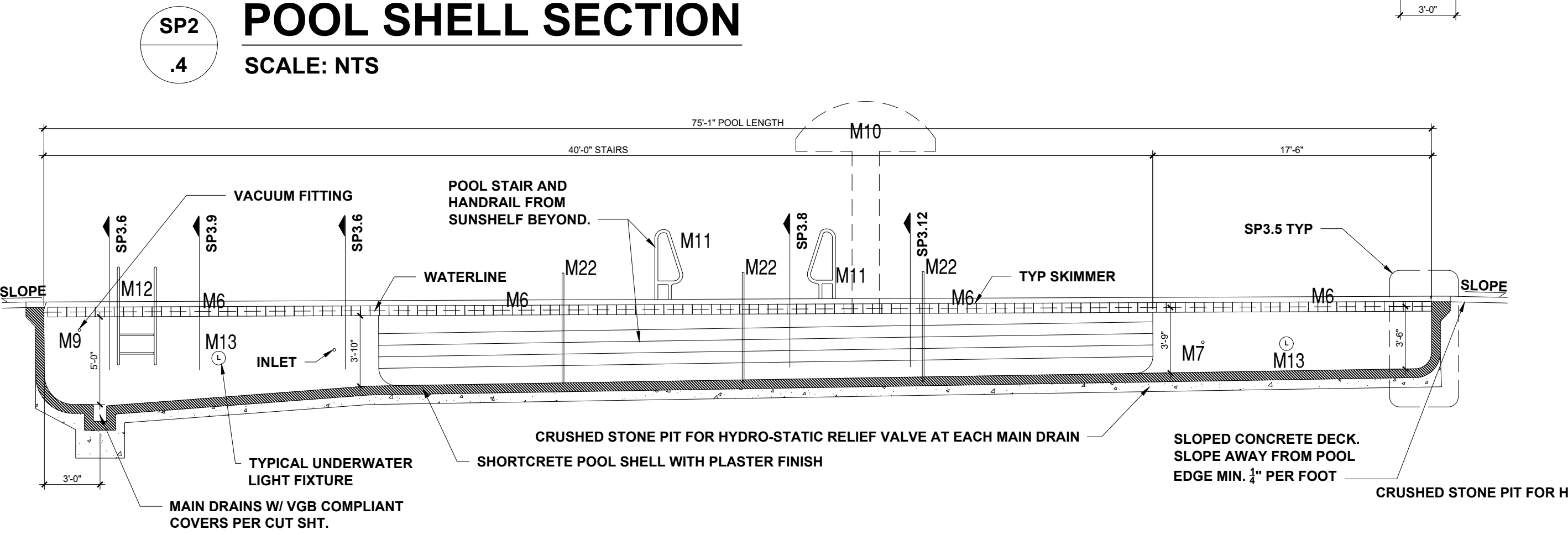
SP3 TYP. POOL WALL SECTION
.5 SCALE: NTS



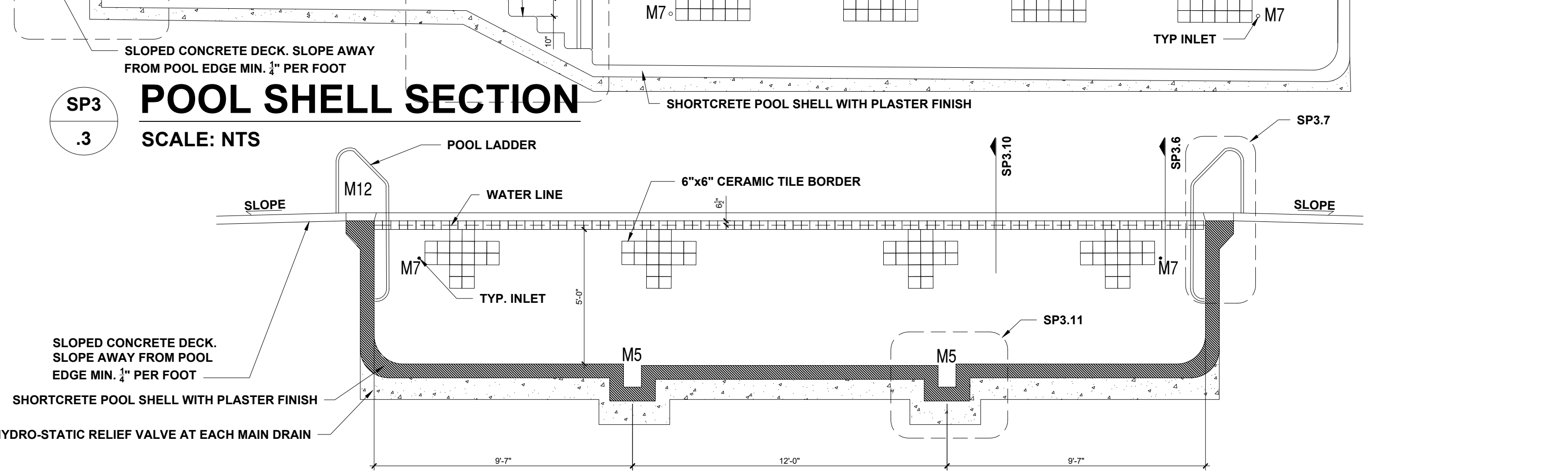
SP2 POOL SHELL SECTION
.4 SCALE: NTS



SP3 POOL SHELL SECTION
.3 SCALE: NTS



SP3 POOL SHELL SECTION
.2 SCALE: NTS



SP3 POOL SHELL SECTION
.1 SCALE: NTS



JDS Consulting
ENGINEERING • DESIGN • ENERGY
JDS Consulting LLC, 9600 P. JERSEY CT. RALEIGH, NC 27617 919.480.1075
INFO@JDSCONSULTING.NET WWW.JDSCONSULTING.NET

JDS Consulting is NOT LIABLE FOR CHANGES MADE TO PLANS DUE TO CONSTRUCTION METHODS OR ANY CHANGES TO PLANS MADE IN THE FIELD. THE LOT NUMBER, PROPERTY, OR AS A MASTER PLAN AS SPECIFIED ON TITLE SHEET. DIMENSIONS SHALL GOVERN OVER SCALE, AND CODE SHALL GOVERN OVER DIMENSIONS ON DRAWINGS.

CLIENT: **MATTAMY HOMES**
PROJECT: **PROVINCE CREEK AMENITY CENTER & POOL**
LOCATION: **196 PROVIDENCE CREEK DRIVE, FUQUAY-VARINA, NC 27526**

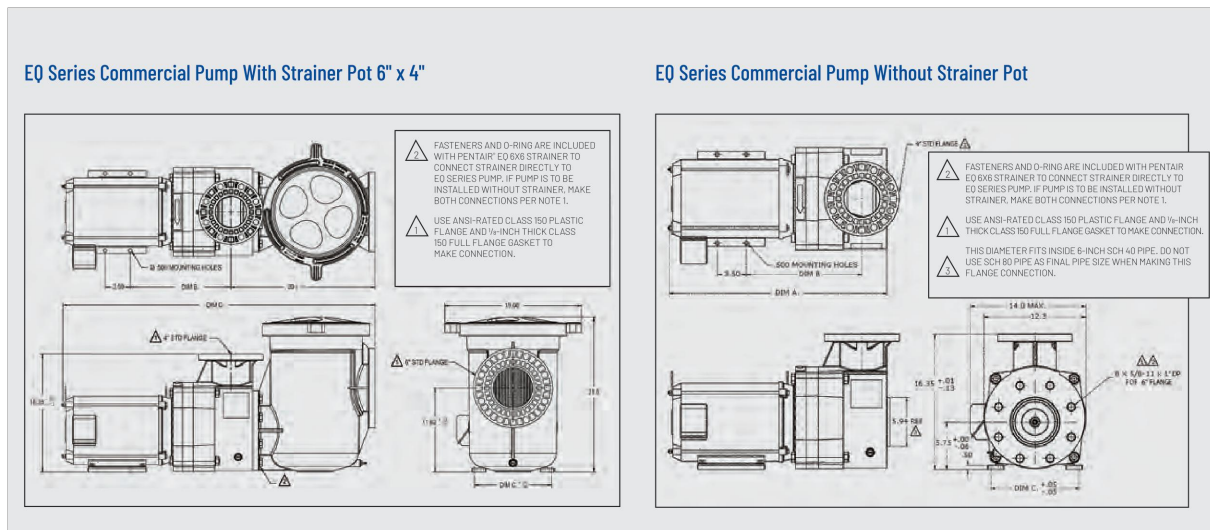
PROJECT NO.: **23900139**

DATE: **05/02/2023** DRAWN BY: **FAB**

SECTIONS & DETAILS

SP.3

SCALE: 1/4" = 1'-0" FOR 24x36 PAPER, NOT TO SCALE FOR 11x17 PAPER, OR AS NOTED



EO Series Commercial Pump With Strainer Pot (6 Inch x 4 Inch)

Part #	Part #	Description	Voltage	Amps	Phase	HP	Wt	Dim. A-D	Dim. A-T/EFC	Dim. B	Dim. C	Dim. D-DP	Dim. D-T/EFC
340026	EDW 300 Water Fall	208/230	38/19	1	3	126	26.62	N/A	10.13	7.5	43.590	N/A	N/A
340027	EDW 300 Water Fall	208-230/460	8.4-7.9/3.9	3	3	106	23.72	N/A	10.16	7.5	43.034	N/A	N/A
340028	EDW 500 Water Fall	230	23.4	1	5	106	26.62	N/A	12.18	8.7	43.590	N/A	N/A
340029	EDW 500 Water Fall	208-230/460	13.5-12.7/6.4	3	5	106	24.59	13.31	9.7	40.019	41.65	N/A	N/A
340030	EO500	230	18.6	1	5	128	26.62	N/A	10.03	7.5	43.590	N/A	N/A
340031	340004	EO500	208-230/460	13.5-12.7/6.2	3	5	106	23.12	7.4	6.9	43.034	41.65	N/A
340032	EO750	230	30.4	1	7.5	161	27.53	N/A	10.78	8.5	44.990	N/A	N/A
340033	340005	EO750	208-230/460	20.1-18.5/9.1	3	7.5	116	24.50	28.08	10.16	7.5	45.660	45.12
340034	340006	EO1000	208-230/460	27.1-24.3/12.2	3	10	146	28.31	29.81	10.78	8.5	43.290	46.73
340035	340007	EO1000	208-230/460	40.0-36.0/17.8	3	10	146	28.31	29.81	10.78	8.5	43.290	46.73
340038	EO1000	230	40.0	1	10	179	28.0	N/A	11.50	8.5	46.290	N/A	N/A

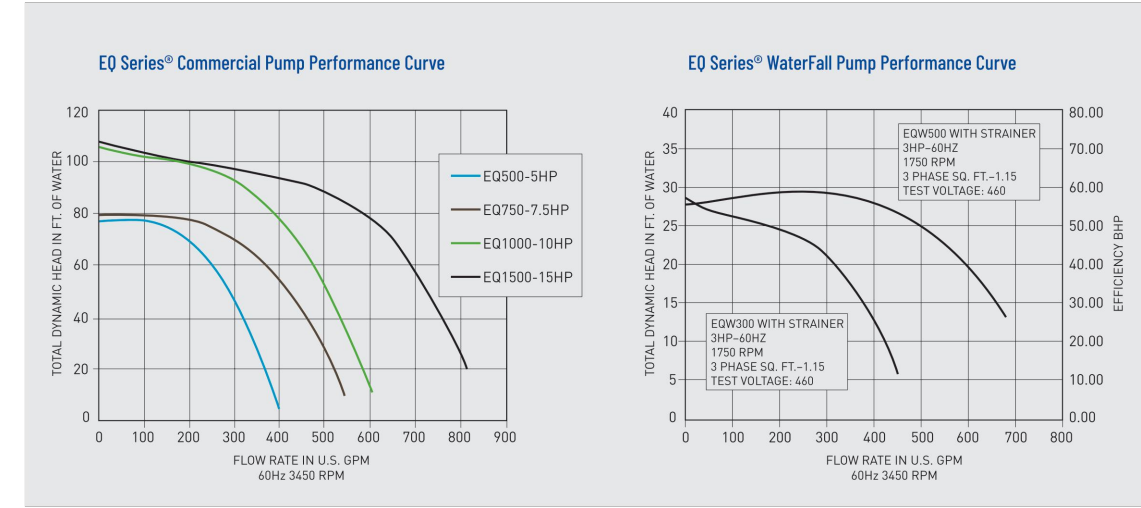
340013 Strainer Pot Assembly, including Strainer, Lid, Basket and Hardware

EO Series Commercial Pump Without Strainer Pot (6 Inch x 6 Inch)

Part #	Part #	Description	Voltage	Amps	Phase	HP	Wt
340039	EDW 300 Water Fall	115/230	38/19	1	3	97	
340018	EDW 300 Water Fall	208-230/460	8.4-7.9/3.9	3	3	77	
340017	EDW 500 Water Fall	230	23.4	1	5	97	
340018	EDW 500 Water Fall	208-230/460	13.5-12.7/6.4	3	5	77	
340019	EO500	230	18.6	1	5	97	
340020	340008	EO500	208-230/460	13.5-12.7/6.2	3	77	
340021	EO750	230	30.4	1	7.5	122	
340022	340009	EO750	208-230/460	20.1-18.5/9.1	3	75	87
340023	EO1000	230	40.0	1	10	126	
340024	340010	EO1000	208-230/460	27.1-24.3/12.2	3	107	
340024	340011	EO1000	208-230/460	40.0-36.0/17.8	3	112	

EO Series Pumps are available in 575-V and 50-Hz models. Please contact your local sales representative or Pentair office for details.

M1



MATERIALS AND DESIGN

PUMP BODY
 Volute type, back-pull-out design.
 • Pump Size
 - 6-inch, ANSI-rated 125 bolted flange suction port.
 - 4-inch, ANSI-rated 125 bolted flange discharge port.
 • Material - Volute and Motor Adapter
 - PPO resin.
 • Impeller
 - PPO resin.
 • Base
 - 6061 aluminum design, slotted for mounting ease.
 • Corrosion Prevention
 - All plastic pump for maximum hydraulic performance and corrosion prevention.

HAIR AND LINT STRAINER
 • Material
 - Separate bolt-on PPO resin body with plastic basket, polycarbonate resin thermoplastic lid, and stainless steel bolts.
 • Size
 - 6-inch, ANSI-rated 125 bolted flange suction and discharge ports.

PUMP MAXIMUM THERMAL LIMITS
 • Ambient air temperature: 104° F.
 • Liquid temperature: 104° F.

MOTOR
 Standard JMJ type, Premium efficient COP class F insulated. On TEFC options, 3MJ type, premium efficient, class F insulated.
 • Frame and Size
 - NEMA-rated "C" frame.
 • Shaft
 - 303 stainless steel construction.
 • Design
 - 3-1/2 HP, 3,500 RPM, JM open drip-proof, continuous duty.
 - Three phase and single phase/5, 7½, 10 HP, 5-1/2 HP, 3,500 RPM, JMJ TEFC, continuous duty, three phase.
 • Bearings
 - Double-shielded, single row, deep-groove type, permanently lubricated.
 • Thermal Overload Protection
 - All models require external thermal overload protector.

ELECTRICAL
 • Power Supply Required
 - Three-phase pumps are 208-230/460. Single-phase models are available in 208-230/460, 50 Hz only.

Use ANSI-rated class 125 plastic flange and 1/2-inch thick class 125 full flange gasket to make connection.

M5, M19

A.S.A. MFG. INC.
 www.asamfg.com
 email: info@asamfg.com

14879 SW 111th St. Dunnellon, FL 34432
 352-465-0236
 352-465-0239 FAX

HEAVY DUTY FIBERGLASS SUMPS

- Fast installation
- Rough sand exterior finish
- Durable smooth gelcoat interior
- No forming! No pouring!
- Premium fiberglass & resin for maximum structural strength
- Non-metallic - No grounding!
- 2" IPS x 4 ft. f.g. for hydro relief valve and pebble pipe
- "Quick Mount" hardware and sealant included
- Custom configurations fabricated - Call us today!
- Optional waterproof flange

Legacy Flange Design

NSF

VGB 2008

Fiberglass LEGACY SUMP Dimensions

Sump Size & Part #	Dimensions (in inches)	Outlet Size	Compatible Grates
9" x 9"	A: 9.0, B: 9.0, C: 9.0, D: 9.0, E: 9.0, F: 9.0	1.5"	9" x 9" A, B, C, D, E, F
12" x 12"	A: 12.0, B: 12.0, C: 12.0, D: 12.0, E: 12.0, F: 12.0	2"	12" x 12" B, C, D, E, F
18" x 18"	A: 18.0, B: 18.0, C: 18.0, D: 18.0, E: 18.0, F: 18.0	3"	18" x 18" C, D, E, F
24" x 24"	A: 24.0, B: 24.0, C: 24.0, D: 24.0, E: 24.0, F: 24.0	4"	24" x 24" D, E, F

Fabricating Fiberglass Construction Solutions for the Aquatics Industry

M6

U-3 SKIMMERS
 SWIMQUIP® INGROUND SKIMMERS

Featured Highlights

- Screw down lockable lid.
- 1-1/2" x 40mm or 2" x 50mm slip or threaded ports.
- Optional equalizer valve.
- Compliant to AS1926.3

U-3 Skimmers feature a heavy-duty one-piece construction with sturdy external ribbing for superior strength. All U-3 Skimmers are made from high-strength ABS plastic.

Ordering Information

Product	Description	Carton Dimensions (in)	Pallet Qty.	Carton Wt. (lb)
0860-140A	U-3 Skimmer White w/White L&B Frame, 2" Slip with 1.5" In. Slip Reducers, Inc. Filter and Check Valve, Basket	39x26x14.5	26	4
0965-140A	U-3 Skimmer White, 2" In. Slip with 1.5" In. Slip Reducers	39x26x14.5	26	4

Dimensions

All dimensions in mm. See page 182 for replacement parts.

M2

Triton® II
 Fiberglass Sand Filter

The Triton® II sand filter is designed for use in residential and commercial pools. It features a built-in backwash system for easy maintenance and a durable, long-lasting fiberglass body.

AVAILABLE FROM:

PENTAIR

pentair.com

M3

Blue-White Industries, Ltd.
 Engineering and Technical Data

F-300 U-300 D-300
 Pitot Tube Insertion Meters

Clamp-on Insertion Mount

Features:

- 1" through 6" pipe size.
- Flour view from 4 to 1800 GPM.
- Resistant PVC internal float materials.
- One piece machined acrylic body.
- Mounts to existing pipe. No unions or adapters required.
- Mounts for mounting on horizontal or vertical pipe.
- Mounting clamps and gaskets included.
- NSF Listed.

Specifications:

Flow Range: 75 PSIG (5.2 bar) at 70° F (21° C)
 Fluid Temp Range: 0° to 190° F (-18 to 80° C)
 Ambient Temp Range: 0° to 110° F (-18 to 43° C)
 Note: Temperature and Pressure ratings for meter only. Actual pipe rating may vary.

Materials of Construction:
 Meter Body: Cast Acrylic
 Gasket: Neoprene
 Float: PVC
 Pipe Clamp: 316 Stainless Steel

Installation Requirements:
 Minimum Straight Pipe Length Requirements
 The meter accuracy is affected by disturbances such as pumps, elbows, valves, etc. in the flow stream. Install the meter in a straight run of pipe as far as possible from any disturbances.

EXAMPLE OF MINIMUM STRAIGHT PIPE LENGTH

Nominal Pipe Diameter	Minimum Inlet Pipe Length	Minimum Outlet Pipe Length
4 inch	20 inch (5' x 4')	8 inch (2' x 4')
6 inch	30 inch (5' x 4')	12 inch (2' x 4')

Mounting location

- The meter is designed for installation on horizontal pipe only.
- A pipe clamp must be installed at the vertical (Dante) outlet position on horizontal pipe only.
- U-3 series meters must be installed on vertical pipe only.
- The float must be completely full before all readings.
- Use the minimum straight length of pipe requirement chart above.
- The meter can accurately measure flow in either direction only.
- Disturbances in the flow stream may affect flow only.
- Disturbances in the flow stream may affect flow only.

M4

RAINBOW™
 HIGH CAPACITY CHLORINE/BROMINE FEEDERS

Designed for ease of use and simple maintenance.
 Drain valve allows easier draining for safer recharging or winterizing.
 Standard threaded inlet and outlet fittings included for easy installation.

AVAILABLE FROM:

PENTAIR

M19

AQUASTAR
 12" x 12" Square "Anti-Entrapment" Suction Outlet Cover and Frame

VGB Series

The Aquastar line of suction outlet covers, compliant with the new Virginia Graeme-Baker Pool and Spa Safety Act (ASME/ANSI A112.19.8-2008)

Features:

- For single or multiple drain use.
- Non-slip, non-skid surface.
- Requires a minimum 2" sump depth.
- Depth: 3/4" (19.0 mm) at 1.5" (38.1 mm) for 1.5" (38.1 mm) drain.
- 8.5" square high opening.
- Underlayment (VGB compliance) better quality than VGB 2008 compliance cover sheet.
- See full installation instructions for details and general requirements.
- All required to comply with ASME/ANSI A112.19.8-2008.
- See full installation instructions for details and general requirements.
- See full installation instructions for details and general requirements.
- See full installation instructions for details and general requirements.

Part # WAV122xx

Part Numbers / Colors

- WAV1201 White
- WAV1202 Black
- WAV1203L Grey
- WAV1204 Blue
- WAV1205 Dk. Grey
- WAV1206 Tan
- WAV1207 Teal
- WAV1208 Tan

Frame Included
 VGB 2008 Compliant

WALL FITTINGS - INLETS

Directional inlets with 1-1/2" x 1/2" MP thread fit standard female adapter or wall fitting.

Ordering Information

Product	Description	Carton Qty.
54007	1/2" In. Inlet with 1/2" x 1/2" MP thread fit standard female adapter, white	50
54008	1/2" In. Inlet with 1/2" x 1/2" MP thread fit standard female adapter, black	50
54009	1/2" In. Inlet with 1/2" x 1/2" MP thread fit standard female adapter, grey	50
54010	1/2" In. Inlet with 1/2" x 1/2" MP thread fit standard female adapter, blue	50
54011	1/2" In. Inlet with 1/2" x 1/2" MP thread fit standard female adapter, dk. grey	50
54012	1/2" In. Inlet with 1/2" x 1/2" MP thread fit standard female adapter, tan	50
54013	1/2" In. Inlet with 1/2" x 1/2" MP thread fit standard female adapter, teal	50
54014	1/2" In. Inlet with 1/2" x 1/2" MP thread fit standard female adapter, tan	50
54015	1/2" In. Inlet with 1/2" x 1/2" MP thread fit standard female adapter, tan	50
54016	1/2" In. Inlet with 1/2" x 1/2" MP thread fit standard female adapter, tan	50
54017	1/2" In. Inlet with 1/2" x 1/2" MP thread fit standard female adapter, tan	50
54018	1/2" In. Inlet with 1/2" x 1/2" MP thread fit standard female adapter, tan	50
54019	1/2" In. Inlet with 1/2" x 1/2" MP thread fit standard female adapter, tan	50
54020	1/2" In. Inlet with 1/2" x 1/2" MP thread fit standard female adapter, tan	50
54021	1/2" In. Inlet with 1/2" x 1/2" MP thread fit standard female adapter, tan	50
54022	1/2" In. Inlet with 1/2" x 1/2" MP thread fit standard female adapter, tan	50
54023	1/2" In. Inlet with 1/2" x 1/2" MP thread fit standard female adapter, tan	50
54024	1/2" In. Inlet with 1/2" x 1/2" MP thread fit standard female adapter, tan	50
54025	1/2" In. Inlet with 1/2" x 1/2" MP thread fit standard female adapter, tan	50
54026	1/2" In. Inlet with 1/2" x 1/2" MP thread fit standard female adapter, tan	50
54027	1/2" In. Inlet with 1/2" x 1/2" MP thread fit standard female adapter, tan	50
54028	1/2" In. Inlet with 1/2" x 1/2" MP thread fit standard female adapter, tan	50
54029	1/2" In. Inlet with 1/2" x 1/2" MP thread fit standard female adapter, tan	50
54030	1/2" In. Inlet with 1/2" x 1/2" MP thread fit standard female adapter, tan	50
54031	1/2" In. Inlet with 1/2" x 1/2" MP thread fit standard female adapter, tan	50
54032	1/2" In. Inlet with 1/2" x 1/2" MP thread fit standard female adapter, tan	50
54033	1/2" In. Inlet with 1/2" x 1/2" MP thread fit standard female adapter, tan	50
54034	1/2" In. Inlet with 1/2" x 1/2" MP thread fit standard female adapter, tan	50
54035	1/2" In. Inlet with 1/2" x 1/2" MP thread fit standard female adapter, tan	50
54036	1/2" In. Inlet with 1/2" x 1/2" MP thread fit standard female adapter, tan	50
54037	1/2" In. Inlet with 1/2" x 1/2" MP thread fit standard female adapter, tan	50
54038	1/2" In. Inlet with 1/2" x 1/2" MP thread fit standard female adapter, tan	50
54039	1/2" In. Inlet with 1/2" x 1/2" MP thread fit standard female adapter, tan	50
54040	1/2" In. Inlet with 1/2" x 1/2" MP thread fit standard female adapter, tan	50
54041	1/2" In. Inlet with 1/2" x 1/2" MP thread fit standard female adapter, tan	50
54042	1/2" In. Inlet with 1/2" x 1/2" MP thread fit standard female adapter, tan	50
54043	1/2" In. Inlet with 1/2" x 1/2" MP thread fit standard female adapter, tan	50
54044	1/2" In. Inlet with 1/2" x 1/2" MP thread fit standard female adapter, tan	50
54045	1/2" In. Inlet with 1/2" x 1/2" MP thread fit standard female adapter, tan	50
54046	1/2" In. Inlet with 1/2" x 1/2" MP thread fit standard female adapter, tan	50
54047	1/2" In. Inlet with 1/2" x 1/2" MP thread fit standard female adapter, tan	50
54048	1/2" In. Inlet with 1/2" x 1/2" MP thread fit standard female adapter, tan	50
54049	1/2" In. Inlet with 1/2" x 1/2" MP thread fit standard female adapter, tan	50
54050	1/2" In. Inlet with 1/2" x 1/2" MP thread fit standard female adapter, tan	50

M5

AQUASTAR
 VGBA-2017 PRODUCT SPECIFICATIONS

SOA Model No.

Part #	Flow Rate (GPM)	Head (ft.)	Efficiency (%)
54007	1.5	1.5	100
54008	1.5	1.5	100
54009	1.5	1.5	100
54010	1.5	1.5	100
54011	1.5	1.5	100
54012	1.5	1.5	100
54013	1.5	1.5	100
54014	1.5	1.5	100
54015	1.5	1.5	100
54016	1.5	1.5	100
54017	1.5	1.5	100
54018	1.5	1.5	100
54019	1.5	1.5	100
54020	1.5	1.5	100
54021	1.5	1.5	100
54022	1.5	1.5	100
54023	1.5	1.5	100
54024	1.5	1.5	100
54025	1.5	1.5	100
54026	1.5	1.5	100
54027	1.5	1.5	100
54028	1.5	1.5	100
54029	1.5	1.5	100
54030	1.5	1.5	100
54031	1.5	1.5	100
54032	1.5	1.5	100
54033	1.5	1.5	100
54034	1.5	1.5	100
54035	1.5	1.5	100
54036	1.5	1.5	100
54037	1.5	1.5	100
54038	1.5	1.5	100
54039	1.5	1.5	100
54040	1.5	1.5	100
54041	1.5	1.5	100
54042	1.5	1.5	100
54043	1.5	1.5	100
54044	1.5	1.5	100
54045	1.5	1.5	100
54046	1.5	1.5	100
54047	1.5	1.5	100
54048	1.5	1.5	100
54049	1.5	1.5	100
54050	1.5	1.5	100

M7


Ordering Information

Product	Description	Carton Qty.
54007	1/2" In. Inlet with 1/2" x 1/2" MP thread fit standard female adapter, white	50
54008	1/2" In. Inlet with 1/2" x 1/2" MP thread fit standard female adapter, black	50
54009	1/2" In. Inlet with 1/2" x 1/2" MP thread fit standard female adapter, grey	50

M13

AMERLITE LIGHTS
UNDERWATER INCANDESCENT LIGHTS WITH S/S FACE RINGS

TRADEGRADE



Amerlite Incandescent Light

Amerlite light, the world standard of reliability for underwater lights, features a stainless steel head, 5-1/2 in. prismatic, tempered glass lens, and stainless steel base ring with an tension clamp. Amerlite lights are UL listed to meet 144-Grade Pool Products, American Pool-Fab and Pool-Fab products.

All Poolstar LED Listed underwater lights are certified for use in fresh water with up to 6,000 ppm salinity.

Featured Highlights

- Most versions of industry
- Stainless steel face ring with tension clamp
- Superior light efficiency
- Prismatic, tempered lens
- Low water cutoff
- Medium blue lenses available
- Plastic snap-on face rings available for all lights

CAUTION: PROTECTIVE LENSING

Amerlite uses prismatic lensing. Amerlite Pool Cover Company and Amerlite Pool-Fab are not responsible for damage to lenses caused by improper use.

Product	Voltage	Wattage	Cord Length (Ft.)	Carton Qty.	Carton Wt. (Lbs.)
AMERLITE WITH STAINLESS STEEL FACE RING - 100 WATT, 120 VOLT					
1927100	120	100	15	1	8
7842800	120	300	50	1	10
7842900	120	300	100	1	15
7843000	120	300	150	1	20
7843100	120	300	200	1	25
AMERLITE WITH STAINLESS STEEL FACE RING - 60 WATT, 120 VOLT					
7844100	120	60	15	1	6
7844200	120	60	50	1	10
7844300	120	60	100	1	15
7844400	120	60	150	1	20
7844500	120	60	200	1	25
AMERLITE WITH STAINLESS STEEL FACE RING - 500 WATT, 120 VOLT					
7845100	120	500	15	1	8
7845200	120	500	50	1	10
7845300	120	500	100	1	15
7845400	120	500	150	1	20
7845500	120	500	200	1	25
AMERLITE WITH STAINLESS STEEL FACE RING - 500 WATT, 12 VOLT					
7841100	12	500	15	1	8
7841200	12	500	50	1	10
7841300	12	500	100	1	15

M17

multiLift™

A flanged pool lift, with left or right side mounting, and optional folding seat version.

- Third party tested & verified ADA compliant
- Integrated armrests
- State of California compliant
- 350 lb/150kg lifting capacity
- Retrofit anchor jg. is standard
- Optional folding seat assembly
- LIFTOperator™ Intelligent Controller
- Powder-coated stainless steel and aluminum construction

Lift Color

GMV HET

Due to printing technology actual color may differ.

Model No.	Pool Lift with Armrests	Weight	Length	Width	Height
075-0000	multiLift	200 lbs/90kg	30"	20"	20"
075-0005	multiLift with seat	200 lbs/90kg	30"	20"	20"

Note:

- Includes battery, charge battery console cover, water-resistant hand control, footrest, seat belt assembly, armrests and retrofit anchor jg.
- Parts & Accessories include:
 - 100#95 Battery
 - 500-3000T Cover
 - 500-5000 Wheel A-Way
 - 900-1000 Seat Belt
 - 300-6700A Anchors, set of 4
 - 300-6900 Retrofit Anchor Jg.
 - 300-6800A Anchor Bolts, set of 4
 - 970-5000T Seat Saver Cover
 - 900-6000 Stability Strap
 - 075-3000A Armrest Replacement (pair)

multiLift with Folding Seat

Model No.	Description	Weight	Length	Width	Height
075-0100	multiLift with folding seat	225 lbs/100kg	30"	20"	20"
075-0105	multiLift with folding seat, no anchor	225 lbs/100kg	30"	20"	20"
075-0110	multiLift with armrests and folding seat	225 lbs/100kg	30"	20"	20"
075-0115	multiLift with armrests and folding seat, no anchor	225 lbs/100kg	30"	20"	20"

Note:

- Includes battery, charge battery console cover, water-resistant hand control, footrest, seat belt assembly and retrofit anchor jg.
- Models without armrests are not compliant with State of California requirements.
- Parts & Accessories include:
 - 100#95 Battery
 - 500-3100CT Folding Seat Cover
 - 160-6000T Folding Seat
 - 900-2000 Stability Vest
 - 900-6000 Seat Pad
 - 970-0000T Seat Saver Cover
 - 075-3000 Armrest Assembly, gray, left & right

New Construction Guidelines

Substrate	Pool Lift	Anchor Jg.
Over pool lift and new construction jg. at same time	075-3000	500-5000 (Fw anchors)
Over new construction jg. ahead of pool lift	075-3000A	500-5000A (comes with anchors)

M8

PRE-PLUMBED VALVES
BACKWASH VALVES FOR 1-1/2" & 2 IN. D.E. AND SAND FILTERS

Side mounted HiFlow™ and Multiport Valves are designed for maximum performance and working pressures. Available in 1-1/2" and 2 in. threaded or slip models.

Featured Highlights

- PVC body
- The right valve for easy operation
- Six-position, positive-lock operation
- Special winterizing position

Ordering Information

Product	Description	Carton Qty.	Carton Wt. (Lbs.)
MULTI-PORT VALVE KIT FOR FILTERS, SLIP			
261055	2 in. MPV, for Triton & Quad D.E. filters (SM 20-2) 7-1/2 in. Centerline	1	9
261152	2 in. MPV, for FNS, FNS Plus & NSP filters (SM 20-2) 7-1/2 in. Centerline	1	9
261173	1-1/2 in. MPV, for Triton & Quad D.E. filters (SM 10-2) 7-1/2 in. Centerline	1	8
261177	1-1/2 in. MPV, for FNS, FNS Plus & NSP filters (SM 10-2) 7-1/2 in. Centerline	1	8
HI-FLOW VALVE KIT FOR SAND FILTERS, SLIP			
261050	2 in., w/ bulkhead fittings, for Triton & Quad D.E. filters, 7-1/2 in. Centerline	1	9
261142	2 in., w/ bulkhead fittings, for FNS, FNS Plus & NSP filters, 7-1/2 in. Centerline	1	9
PVC SLIDE VALVE, SLIP			
263064	Push Pull Valve, 7-1/2 in. Center, PVC, Almond	1	4.5
263079	2 in. w/ bulkhead fittings for D.E. and sand filters, 7-1/2 in. Centerline	1	1
HI-FLOW BACKWASH VALVES			
262507	Sta-Rite version for System 3 Mod D.E. and sand filters, 7-1/2 in. Centerline	1	9
262508	Sta-Rite version for System 3 D.E. and Sand, inlet on top, with Sta-Rite offset adapters glued on	1	9
262509	Valve with filter inlet port on top, no fittings, only valve	1	9
262511	Valve with filter inlet port on bottom, no fittings, only valve	1	9
263080	Valve for Sand and Quad D.E., inlet port on top, Port 2 in. unions glued on	1	9
263081	Valve for D.E., inlet port on bottom, Port 2 in. unions glued on	1	9

M10

Mushroom Spray Fountain Model 1800-18



Specifications

Model: 1800-18
Size: 5' 0" Diameter

Features

- Fiberglass dome
- 10" Diameter fiberglass stem
- Water flow: 50-257 gpm (spec)
- Variety of colors

Height Options

Model Number	Clearance
1800-18-04	7' 0"
1800-18-09	7' 6"
1800-18-06	8' 0"
1800-18-102	8' 6"
1800-18-120	10' 0"

GPM required for Curtain

Length of Curtain in Feet	GPM	Minimum Feed Pipe Size
8	257	4"
5.5	193	3"
3.5	133	2.5"
1.5	100	2"
Rain Sprinkle	60	1.5"

CAUTION: PROTECTIVE LENSING

Amerlite uses prismatic lensing. Amerlite Pool Cover Company and Amerlite Pool-Fab are not responsible for damage to lenses caused by improper use.

170 Box 276, Baller City, OR 97814 (441) 523-0024 (800) 252-9475 www.naturalstructures.com info@naturalstructures.com

M14

POOL SPECIALTY FITTINGS (CONT'D)

Ordering Information

Product	Description	Carton Qty.	Carton Wt. (Lbs.)
FLOOR INLET FITTINGS			
08417-0000	2 in. Slip with 1-1/2 in. slip bushing, white *	1	1
08417-0100	2 in. Slip with 1-1/2 in. slip bushing, gray *	1	1
08417-0200	2 in. Slip with 1-1/2 in. slip bushing, black *	1	1
SPECIAL FITTINGS			
46550000	Aerator Cap, 1-1/2 in. for air channel, white	50	13
46550015	Aerator Cap, 1-1/2 in. for air channel, dark gray	50	13
46550065	Aerator Cap, 1-1/2 in. for air channel, gray	50	13
510165	Hose adapter, straight, white *	50	3
86201000	Aerator inlet (used as a return spray nozzle)	10	1
K12500	Snap Lock Kit Fitting	1	0.10
GW9530	Vac-port fitting, NSF listed	1	0.10
86200500	Vacuum or Winterizing plug with O-ring	1	0.50
VALVE COVERS			
86301000	Valve Lid & Ring, ABS, 6 in., white	1	1
86301030	Valve Lid & Ring, ABS, 6 in., bronze	1	1
GRATE INSERTS			
540056	Grate insert, 1-1/2 in. MPF, white *	50	2
540057	Grate insert, 1-1/2 in. MPF, black *	50	2
ROPE ANCHORS & HOOKS			
542044	Anchor Cup with SS bar, white *	100	24
542045	Anchor Cup with SS bar, black *	100	24
86201200	Anchor Cup, ABS, white	100	16
86201215	Anchor Cup, ABS dark gray	100	16
86201300	Anchor Cup, ABS with SS cross bar, white *	100	16
86201400	Rope Hook, 3/4 in., ABS	100	16
542142	Rope Hook for 3/4 in. rope with bar SS screws	200	22
STEPS			
02400750	ABS Steps, set of three, white	1	3
02400800	ABS Steps, set of three, gray	1	3

* Not for use with saltwater pools.
* Not for use as a suction fitting.
* Use only as a floor inlet fitting.
* How to MPF fittings.

WHITE GOODS

301

M12

Commercial Ladder

• Tubing: 1.90" OD
• Wall Thickness: .063"
• Stainless Steel: 304 or 316L Marine Grade** (add -MG to part number)
• Truss: 1/2" x 1/2" x 3/16" Stainless Steel (Std)
• Bends: 6" Radius
• Options: Powder-coating and SealedSteel Salt Friendly (sold sep)
• Recommended anchors: AS-100B (order separately)
• Recommended Escutcheon: EP-100F (order separately)
• Minimum requirement for salt pools is 316L Marine Grade

Model No.	Description	Weight	Length	Width	Height
LF-10A	2-Step Ladder	100 lbs	30"	20"	20"
LF-10B	3-Step Ladder	100 lbs	30"	20"	20"
LF-10C	4-Step Ladder	100 lbs	30"	20"	20"
LF-10D	5-Step Ladder	100 lbs	30"	20"	20"
LF10A-2A	2-Step Ladder with cross brace	100 lbs	30"	20"	20"
LF10A-3A	3-Step Ladder with cross brace	100 lbs	30"	20"	20"
LF10A-4A	4-Step Ladder with cross brace	100 lbs	30"	20"	20"
LF10A-5A	5-Step Ladder with cross brace	100 lbs	30"	20"	20"
LF10B-12	Special 30" inboard 3-Step ladder w/ 12" extended length	100 lbs	30"	20"	20"

Note:

- May use 100Watt Inboard 24 for 24" ladder, 18 for 30" ladder or 16 for 36" ladder
- Bends 2 1/2" for 1/2" x 1/2" x 3/16" truss
- Safety Step Size: 14" to the end of the last step
- Please specify 316L for salt pools and 304 for fresh water pools with saltwater option (AS-100B).

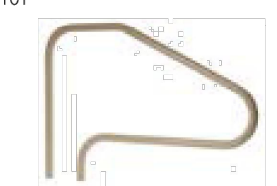
The base and the truss are made to meet the pool and will not be used with other ladders (AS-100B).

MAIN POOL EQUIPMENT SCHEDULE		
M1	5 HP, SELF-PRIMING PUMP W/ MATCHING STRAINER, 220 GPM @65 F. OF HEAD - PROVIDE A SPARE BASKET FOR STRAINER.	PENTAIR - EQ500
M2	30" DIA., HIGH RATE SAND FILTER WITH 4.91 S.F. MEDIA	PENTAIR - TRITON II TR100
M3	FLOW RATE INDICATOR	BLUE-WHITE F/D/U-300
M4	EROSION CHLORINATOR	PENTAIR HC 3315
M5	MAIN DRAIN - 14"x14" SUMP AND COVER/GRATE AND 1 1/2" HYDROSTATIC RELIEF VALVE	AQUASTAR 914xxx
M6	IN-GROUND SKIMMER	PENTAIR U3
M7	IN-WALL INLET W/ DIRECTIONAL FITTINGS	PENTAIR - 542002
M8	MULTI-PORT VALVE	PENTAIR 261055
M9	IN-WALL VACUUM FITTING, W/ PLUG	HAYWARD W400AWHP
M10	5' MUSHROOM FOUNTAIN	NATURAL STRUCTURES 1800-18
M11	POOL HANDRAIL, 4' LONG	SRSMITH DMS101-MG
M12	POOL LADDER, 3 RUNG	SRSMITH LF24-38-MG
M13	500 WATT WHITE LIGHT WITH NICHE	PENTAIR-78456300
M14	IN-WALL CUP ANCHOR	PENTAIR-542044
M15	FLOOR DRAIN, CAST BODY, PVC COVER BY OTHERS - MAX. 50 GPM FLOW	SELECTED BY OWNER
M16	BACKSTROKE FLAG ANCHOR	SR SMITH MULTI-LIFT
M17	HANDICAPPED LIFT	SR SMITH MULTI-LIFT
M18	3HP FOUNTAIN PUMP W/ MATCHING STRAINER, 130 GPM @ 65 F. OF HEAD - PROVIDE A SPARE BASKET FOR STRAINER	PENTAIR-WFE-12
M19	12"x12" FOUNTAIN SUMP AND COVER	ASA FPK 50-812-4 AQUASTAR WAV12
M20	POOL FLOOR INLET	PENTAIR 08417
M21	POOL HANDRAIL, 4" LONG, TWO BEND	SRSMITH 2HR-4-MG
M22	AUTOMATIC WATER LEVEL CONTROLLER	PENTAIR T40-FW
M23	POOL CONTROL PANEL	PENTAIR EASYTOUCH 8
POOL CONTRACTOR SHALL VERIFY THAT POOL EQUIPMENT SCHEDULE AND CUT SHEETS MATCH BEFORE ORDERING ANY ITEMS OF EQUIPMENT		

M11

Hand & Stair Rails

DMS-101



• Tubing: 1.90" OD
• Wall Thickness*: .049" or .065"
• Stainless Steel: 304 or 316L Marine Grade** (add -MG to part number)
• Bends: 6" Radius
• Options: Powder-coating and SealedSteel Salt Friendly
• Recommended Anchors: AS-100P or AS-100B (order separately)
• Recommended Escutcheon: EP-100F (order separately)
• Sold as a single rail
• * Minimum rail thickness is .065 for Commercial
• ** Minimum requirement for salt pools is 316L Marine Grade

DMS-101

Model No.	Description	Weight	Length	Width	Height
DMS-101A	48" Center Grab Rail, .049	13 lbs - 16 lbs	59"	39"	2"
	6 - 7kg	150cm	99cm	5cm	
DMS-101B	48" Center Grab Rail, .065	13 lbs - 16 lbs	59"	39"	2"
	6 - 7kg	150cm	99cm	5cm	

M9



JDS Consulting
ENGINEERING • DESIGN • ENERGY

JDS Consulting PLLC: 3600 P.D. JERSEY CT. RALEIGH, NC 27617 919.480.1075
INFO@JDSCONSULTING.NET WWW.JDSCONSULTING.NET

JDS Consulting PLLC IS NOT LIABLE FOR CHANGES MADE TO PLANS DUE TO CONSTRUCTION METHODS OR ANY CHANGES TO PLANS MADE IN THE FIELD. THE LOT NUMBER, PROPERTY, OR AS A MASTER PLAN AS SPECIFIED ON TITLE SHEET. DIMENSIONS, SHALL GOVERN OVER SCALE, AND CODE SHALL GOVERN OVER DIMENSIONS ON DRAWINGS.

MATTAMY HOMES

PROVINCE CREEK AMENITY CENTER & POOL

196 PROVIDENCE CREEK DRIVE, FUQUAY-VARINA, NC 27526

PROJECT NO: **23900139**

DATE: **05/02/2023** DRAWN BY: **FAB**

DETAILS

SP.5

SCALE: 1/4" = 1'-0" FOR 24x36 PAPER, NOT TO SCALE FOR 11x17 PAPER OR AS NOTED